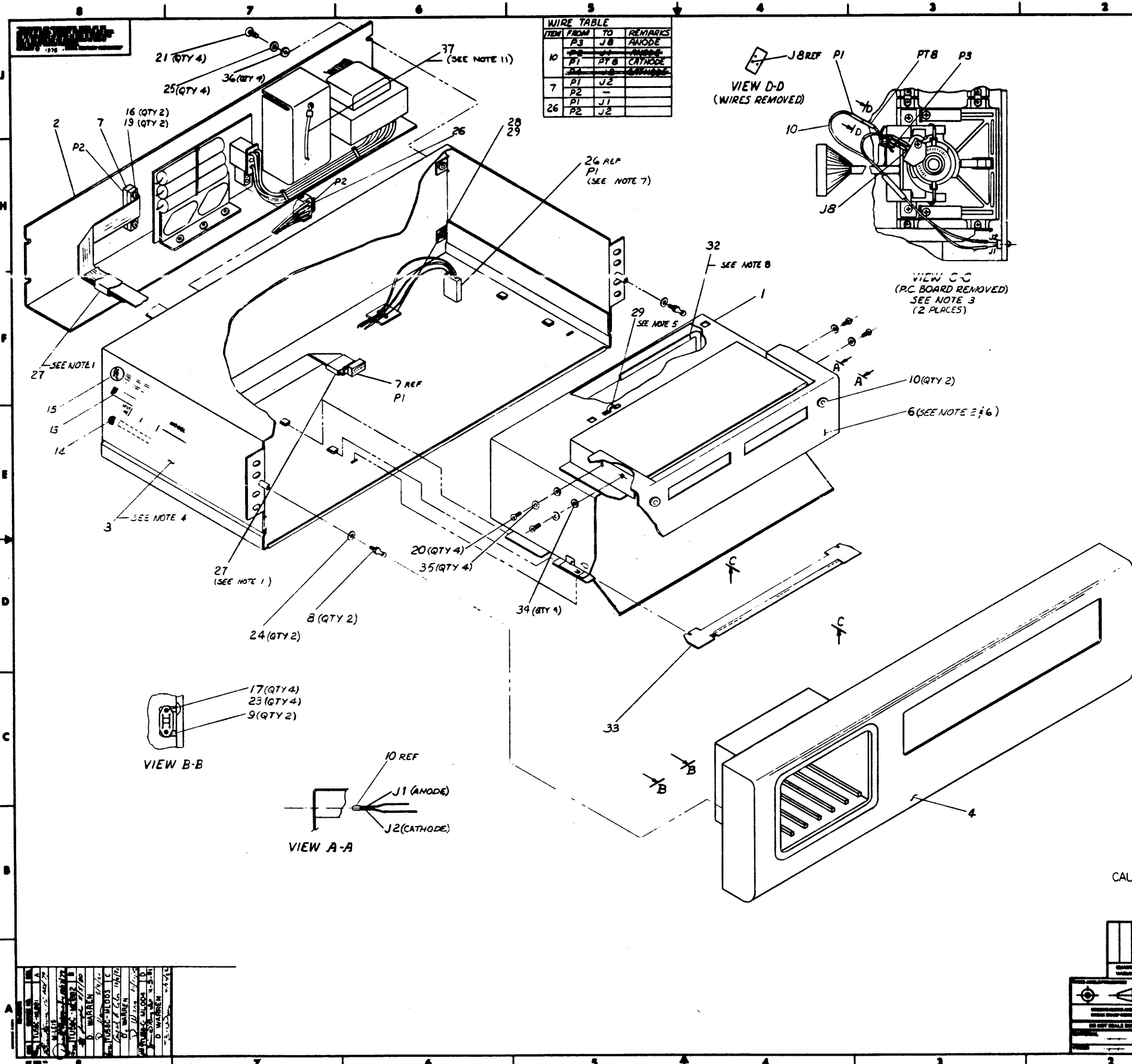
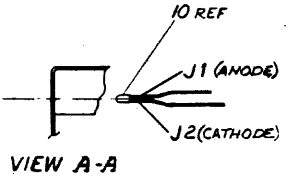
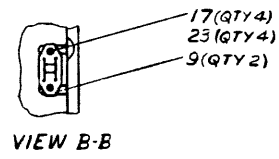
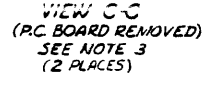
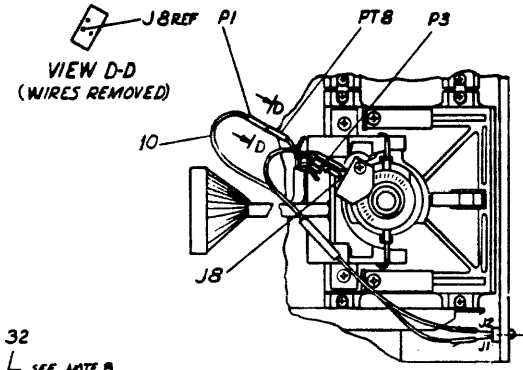


TITLE	SHEET	SIZE	CODE	NUMBER	REV
RACK MOUNT, DUAL DRIVE	2 OF 3	B	DD	TU58-C	A



WIRE TABLE

ITEM	FROM	TO	REMARKS
10	P3	J8	ANODE
	P1	PY8	CATHODE
7	P1	J2	
	P2	-	
	P1	J1	
	P2	J2	



- NOTES**
1. FOLD CABLE ITEM #7 AND SECURE WITH CABLE CLAMP ITEM #27 TO PROVIDE SERVICE LOOP.
 2. ITEM #6 TO BE ADJUSTED SUCH THAT A CLEARANCE OF FLUSH TO .050 EXISTS BETWEEN L.E.D. BRACKET AND BEZEL (ITEM #4).
 3. DISCONNECT LEAD FROM J8 AND WIRE PER TABLE.
 4. PLACE STICKERS, ITEMS 13, 14 & 15 ON ENCLOSURE ASSEMBLY, ITEM 3 APPROX. AS SHOWN.
 5. SECURE L.E.D. CABLES TO TOP OF HOLDING WITH ITEM 29 (2 PLACES).
 6. WHEN CARTRIDGE IS INSERTED INTO DRIVE A GAP OF .06-.03 SHOULD EXIST BETWEEN TOP AND BOTTOM OF CARTRIDGE AND L.E.D. BRACKET (ITEM #6).
 7. FOLD EXCESS CABLE OF ITEM 26 AND TIE WITH THE WRAP ITEM 29 TO PROVIDE SERVICE LOOP.
 8. SECURE ITEM 32 USING PERMABOND 101 OR EQUIVALENT.
 9. SKEW TO BE 6° ± 1° AFTER ASSEMBLY.
 10. DRIVE TO BE SHOWN WITH PROGRAMMING COVERING ON L.E.D. BRACKET.
 11. CONNECT CABLE (ITEM 37) AS SHOWN AND TO TERMINAL PROVIDED ON DRIVE.

CAUTION:
OFF SHEET PARTS LIST EXISTS SEE
K-PL-TU58-C-0-BP

REV.	DESCRIPTION	DATE	BY	CHKD.
1	ISSUED			
2	REVISED			
3	REVISED			
4	REVISED			
5	REVISED			
6	REVISED			
7	REVISED			
8	REVISED			
9	REVISED			
10	REVISED			

TU58
RACK MOUNT DUAL DRIVE ASSY
K-PL-TU58-C-0

REV.	DESCRIPTION	DATE	BY	CHKD.
1	ISSUED			
2	REVISED			
3	REVISED			
4	REVISED			
5	REVISED			
6	REVISED			
7	REVISED			
8	REVISED			
9	REVISED			
10	REVISED			

AUTOMATED BY PRTLST.3P(44)

PARTS LIST

SHEET A1 OF A2

LINE	ITEM	DOCUMENT NUMBER	PART NUMBER	DESCRIPTION	QUANTITY PER VARIATION	
					CA	CX
1	1	E-AD-7015854-0-0	7015854-01	HOUSING/MODULE ASSY TAPE DRIVE(W	1	1
2	2	D-AD-7016078-0-0	7016078-00	POWER SUPPLY ASSY	1	1
3	3	E-IA-7016079-0-0	7016079-00	ENCLOSURE ASSY	1	1
4	4	C-MD-7422486-0-0	7422486-00	BEZEL	1	1
5	5		BLANK		0	0
6	6	D-MD-7421487-0-0	7421487-00	BRACKET, LED	1	1
7	7	C-IA-7016305-0-0	7016305-1F	CABLE I/O	1	1
8	8		9008149-00	STUD, BALL, 6-32 X .155, .187 DI	2	2
9	9		9008487-00	RETAINER, BALL STUD	2	2
10	10		7017543-00	L.E.D. ASSY.	2	2
11	11	B-IA-7016525-0-0	7016525-00	*** THIS ITEM IS NOT USED ***		
12	12		BLANK		0	0
13	13		3613209-00	LABEL, ELECTRICAL DATA	1	1
14	14		3613211-00	DECAL, CLEAR PREPRINTED CSA 1-1/4	1	1
15	15	A-DC-7416197-0-0	7416197-01	DECAL	1	1
16	16		9006557-00	NUT, KEP 4-40X 1/4 AF	2	2
17	17		9010036-00	SCREW, SLOTTED HEX. HEAD 4 X 5/1	4	4
18	18		9008301-01	SCREW, PAN, PHIL 4-40X 1/4 SS	4	4
19	19		9008033-01	SCREW, PAN, PHIL 4-40X 9/16 SS	4	4
20	20		9006020-01	SCREW, PAN, PHIL 6-32X 1/4 SS	4	4
21	21		9006039-03	SCREW, TRUS, PHIL 8-32X 1/2	4	4
22	22		9006656-00	*** THIS ITEM IS NOT USED ***		
23	23		9006632-00	WASHER, LOCK, INT, .2600D X .120ID	4	4
24	24		9006633-00	WASHER, LOCK, INT, .2800D X .146ID	4	4
25	25		9006634-00	WASHER, LOCK, INT, .2300D X .172ID	4	4
26	26	C-IA-7016527-0-0	7016527-1F	1FT. 6 IN. +-1.0 IN.	1	1
27	27		9009636-00	CLAMP, CABLE, FOR FLAT CABLE	2	2
28	28		9008264-00	MOUNT, CABLE TIE, ADHESIVE BACKE	A/R	A/R
29	29		9007031-00	TIE, CABLE BUNDL. DIA 0- 3/4"=101	A/R	A/R
30	30	A-SP-3700405-0-0	3700405-00	INSTR PKG KIT OPTION TU58-CA	1	1

REVISION HISTORY		BASIC PART NO: OTU58		DRN: C. GEISENHAINER		DATE: 09-OCT-80		DIGITAL	
ENG	ECO NUMBER	REV	SECTION A OF A	CHK'D: D. BRIGHAM	DATE: 09-OCT-80	TITLE PARTS LIST			
DW	TU58C-ML003	C	SECTION. VARIATION INDEX			RACK MOUNT DUAL DRIVE ASSY			
			[A] CA, CX			DOCUMENT NUMBER			
			[B]	DES. ENG.: P. LORUSSO	DATE: 09-OCT-80	SIZE: CODE: NUMBER REV			
			[C]	RESP. ENG.: P. LORUSSO	DATE: 09-OCT-80	K PL TU58-C-DBP C			
			[D]	MFG. ENG.: P. GIBBS	DATE: 09-OCT-80	ASSEMBLY NUMBER: TOP DOCUMENT NUMBER: FILE NAME: EDIT #			
			[E]	E-UA-TU58-0-0		Z1677C.PLS 3			
			[F]						

"THIS DRAWING AND SPECIFICATIONS HEREIN, ARE THE PROPERTY OF DIGITAL EQUIPMENT CORPORATION AND SHALL NOT BE REPRODUCED OR COPIED OR USED IN WHOLE OR IN PART AS THE BASIS FOR THE MANUFACTURE OR SALE OF ITEMS WITHOUT WRITTEN PERMISSION. COPYRIGHT (C) 1981. DIGITAL EQUIPMENT CORPORATION"

AUTOMATED BY PRTLST.3P(44)

PARTS LIST

SHEET A2 OF A2

LINE	ITEM	DOCUMENT NUMBER	PART NUMBER	DESCRIPTION	QUANTITY PER VARIATION	
					CA	CX
31	31	B-PL-TU58-C-0		#SHIPPING LIST	1	1
32	32		9007035-00	GROMMET #122-37-1500	A/R	A/R
33	33	B-IA-7017424-0-0	7017424-00	RETAINING BAR ASSY.	1	1
34	34		9006655-00	WASHER, FLAT, .312 O.D. X .125 I	4	4
35	35		9007801-00	WASHER, LOCK, S.S. #6	4	4
36	36		9006660-00	WASHER, FLAT, .375 O.D. X .187 I	4	4

D	I	G	I	T	A	L	TITLE	RACK MOUNT DUAL DRIVE ASSY	SECTION A OF A	SIZE	CODE	DOCUMENT NUMBER	REV
										K	PL	TU58-C-DBP	C

DIGITAL EQUIPMENT CORPORATION PARTS LIST				QUANTITY / VARIATION										NOTES: * ITEMS 13-16 ARE MOUNTING HARDWARE TO BE BAGGED AND SHIPPED WITH UNIT.			
MADE BY D. MUTNANSKY DATE 3/8/79		CHECKED <i>AB</i> 12-3-79 DATE		SECTION													
ENG Paul J. Russo DATE 16 March 1979		PROD <i>PLG</i> DATE 15 MAR '79		ISSUED SECTION													
ITEM NO.	DRAWING NO.	PART NO.	DESCRIPTION	TU58-CA	TU58-CX												REF DESIGNATION
1		1700083-02	LINE CORD 115 VAC	1	1												
2		1700090-00	LINE CORD 23Ø VAC	1	1												
3		23765A9-00	BOOT STRAP CHIP	1	1												
4		9906228-00	SHIPPING BOX BOOT STRAP CHIP	1	1												
5	D-UA-BC2ØY-Ø-Ø	BC2ØY-25	40 PIN TO 1Ø PIN DATA CABLE	1	-												
6	D-UA-BC2ØZ-Ø-Ø	BC2ØZ-25	1Ø PIN TO 1Ø PIN DATA CABLE	1	-												
7		9007207-00	FUSE .38 A 25Ø VAC SB	1	1												
8		EK-ØTU58-UG-ØØ1	TU58 USER'S GUIDE (PAPER)	1	1												
9		TU58-K	TU58 MEDIA (TAPE CARTRIDGE)	2	2												
10		MPØØ747	TU58C FIELD MAINTENANCE PRINT	1	1												
11		ZJ287-RG	TU58 DIAGNOSTIC KIT	1	-												
12		* 9906077-03	BAG, COTTON, PARTS	1	-												
13		* 9006073-03	SCREW, TRUSS HD, 10-32 X .50	12	12												
14		* 9006636-00	WASHER, INTERNAL TOOTH, #10	12	12												
15		* 9006664-00	WASHER, FLAT, #10	12	12												
16		* 9007786-00	NUT, SELF-RETAINING, 10-32	12	12												
17	C-MD-7423818-0-0	7423818-00	BRACKET, SUPPORT	2	2												
18	C-MD-7423818-0-1	7423818-01	BRACKET, SUPPORT	2	2												

E.C.O. NO.
MLØØ1
MLØØ2

"THIS DRAWING AND SPECIFICATIONS, HEREIN, ARE THE PROPERTY OF DIGITAL EQUIPMENT CORPORATION AND SHALL NOT BE REPRODUCED OR COPIED OR USED IN WHOLE OR IN PART AS THE BASIS FOR THE MANUFACTURE OR SALE OF ITEMS WITHOUT WRITTEN PERMISSION. COPYRIGHT ©1979 DIGITAL EQUIPMENT CORPORATION"

TITLE
SHIPPING LIST

ASSY NO.
E-UA-TU58-C-Ø
SHEET 1 OF 1

SIZE CODE
B PL
NUMBER
TU58-C
INSERTION PARTS LIST DATA BASE REV

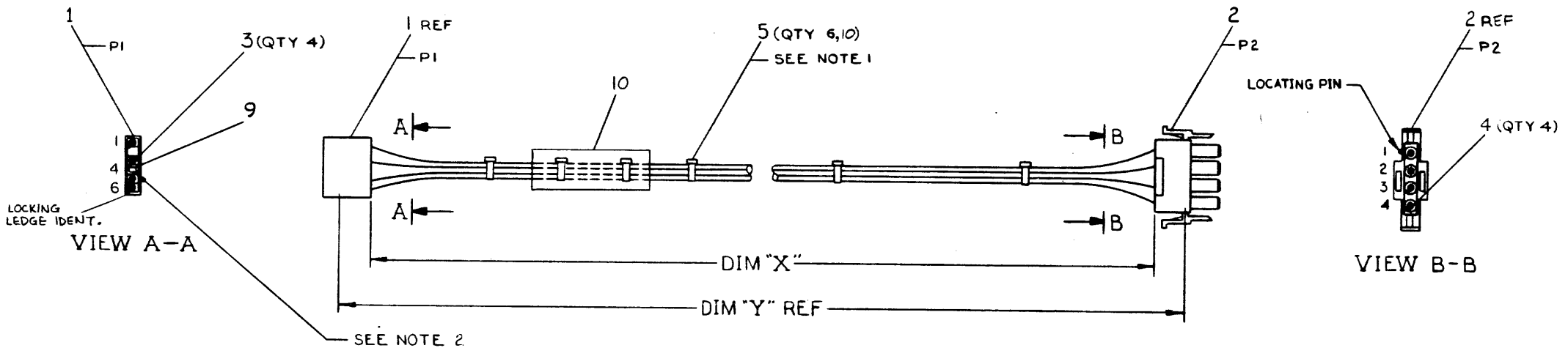
REV.
B

THIS DRAWING AND SPECIFICATIONS, WHICH ARE THE PROPERTY OF MILITARY AIRCRAFT DEVELOPMENT AND TEST CENTER, ARE TO BE USED ONLY FOR THE PURPOSES OF THE CONTRACT UNDER WHICH THEY WERE PREPARED. NO PART OF THIS DRAWING OR SPECIFICATIONS IS TO BE REPRODUCED OR TRANSMITTED IN ANY FORM OR BY ANY MEANS, ELECTRONIC OR MECHANICAL, INCLUDING PHOTOCOPYING, RECORDING, OR BY ANY INFORMATION STORAGE AND RETRIEVAL SYSTEM, WITHOUT PERMISSION IN WRITING FROM MILITARY AIRCRAFT DEVELOPMENT AND TEST CENTER. © 1978

WIRE TABLE							
ITEM NO	DESCRIPTION	FROM	TO	REMARKS			
	AWG	COLOR	CONN	WITH	CONN	WITH	
6	18	BLU	PI-1	1 3/8	P2-1	2 3/4	+12V
7	18	BLK	PI-3	1 3/8	P2-2	2 3/4	
7	18	BLK	PI-6	1 3/8	P2-3	2 3/4	
8	18	RED	PI-5	1 3/8	P2-4	2 3/4	+5V

LEGEND		
NUMBER	DIM "X" VARIATION	DIM "Y" (PRE-CUT) REF
7016527-02	2 FT ± 1.0 IN	2 FT - 5 IN
7016527-01	1 FT ± 1.0 IN	1 FT - 5 IN
7016527-1F	1 FT 6 IN ± 1.0 IN	1 FT - 11 IN

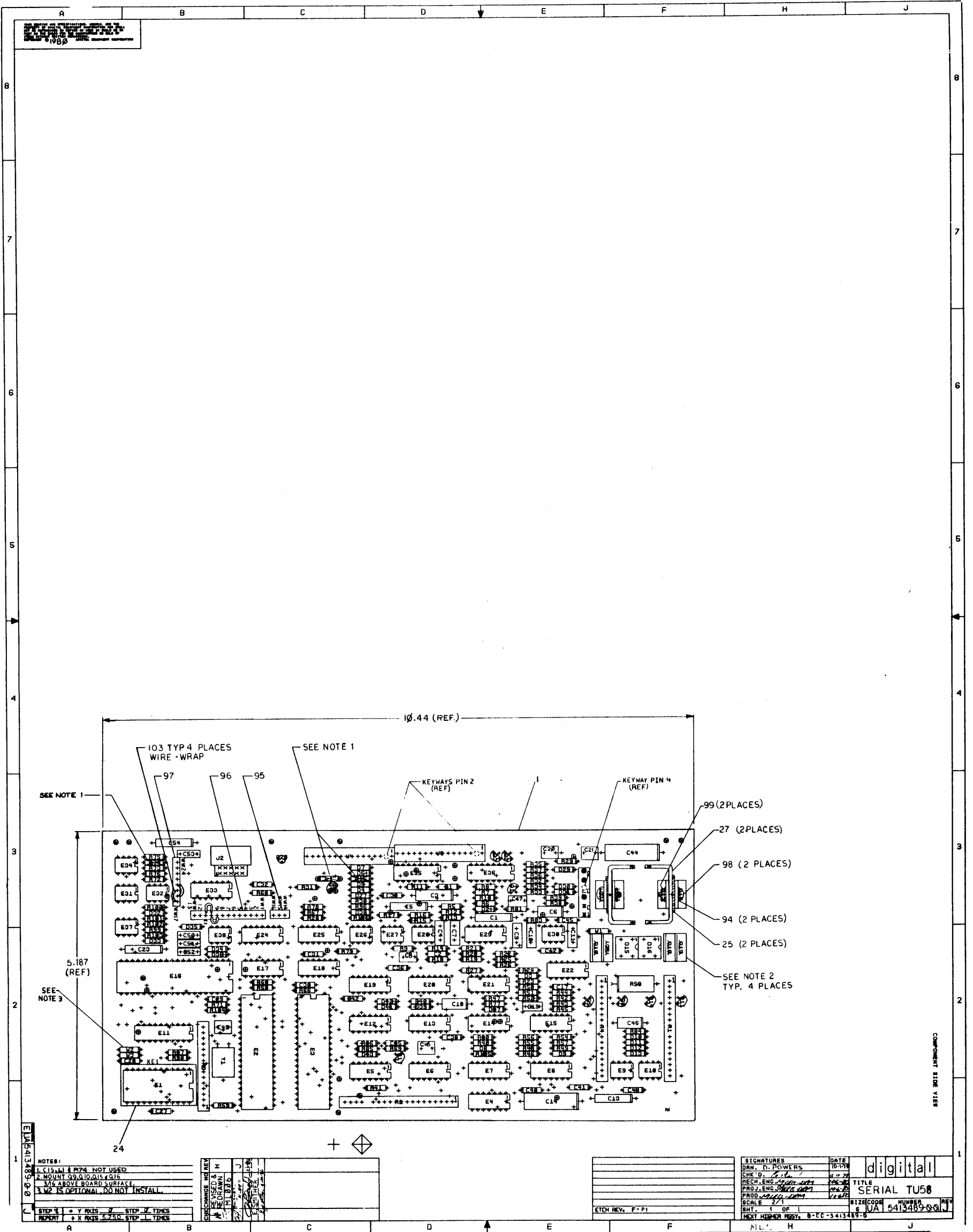
NOTES:
 1. ATTACH CABLE TIE (ITEM 5) APPROXIMATELY EVERY 3" AS SHOWN.
 2. INSERT KEY PLUG (ITEM 9) INTO POSITION 4 FROM THIS END.



CAUTION OFF SHEETS PARTS LIST EXIST B-PL-7016527-0-0

REV. A	7016527-0-0	17	C. BICKOFF
REV. B	7016527-0-0	18	JIM WALLIS
REV. C	7016527-0-0	19	D. WARREN

QUANTITY & VARIATION	DESCRIPTION	DWG. PART NO.	ITEM NO.
1	CABLE, TU58 SUPPLY OUTPUT	0-0-2299102	2
UNLESS OTHERWISE SPECIFIED DIMENSIONS ARE IN INCHES			
ANGLE 10° 30'	CLASS OF ACCURACY	TOLERANCE RANGES IN INCHES	
SURFACE QUALITY IN	CHECK ONE	0.005	0.002
FINISH	MICROFINISH	0.001	0.0005
THIRD ANGLE PROJECTION	DRN. <i>[Signature]</i> 2/2/78	FIRST USED ON TU58	
REMOVE SHARP AND BREAK SHARP CORNERS	CHK'D <i>[Signature]</i> 12/27/78	TITLE	
DO NOT SCALE DIMS	ENGR. <i>[Signature]</i> 10/12/77	CABLE, TU58 SUPPLY OUTPUT	
MATERIAL SEE PARTS LIST	PROL. ENG. <i>[Signature]</i> 10/12/77	SIZE CODE	NUMBER
FINISH NONE	PROD. <i>[Signature]</i> 2/2/78	D	IA 7016527-0-0
	NEXT NUMBER ASSY.	SCALE	REV. C
	D-AD-7016078-0-0	1/1	
	SHEET 1 OF 1		



NOTES:
 1. C15, R1 & R74 NOT USED
 2. MOUNT Q9, Q10, Q15 & Q16
 3/16" ABOVE BOARD SURFACE
 3. W2 IS OPTIONAL, DO NOT INSTALL

DESIGNER	DATE	REV

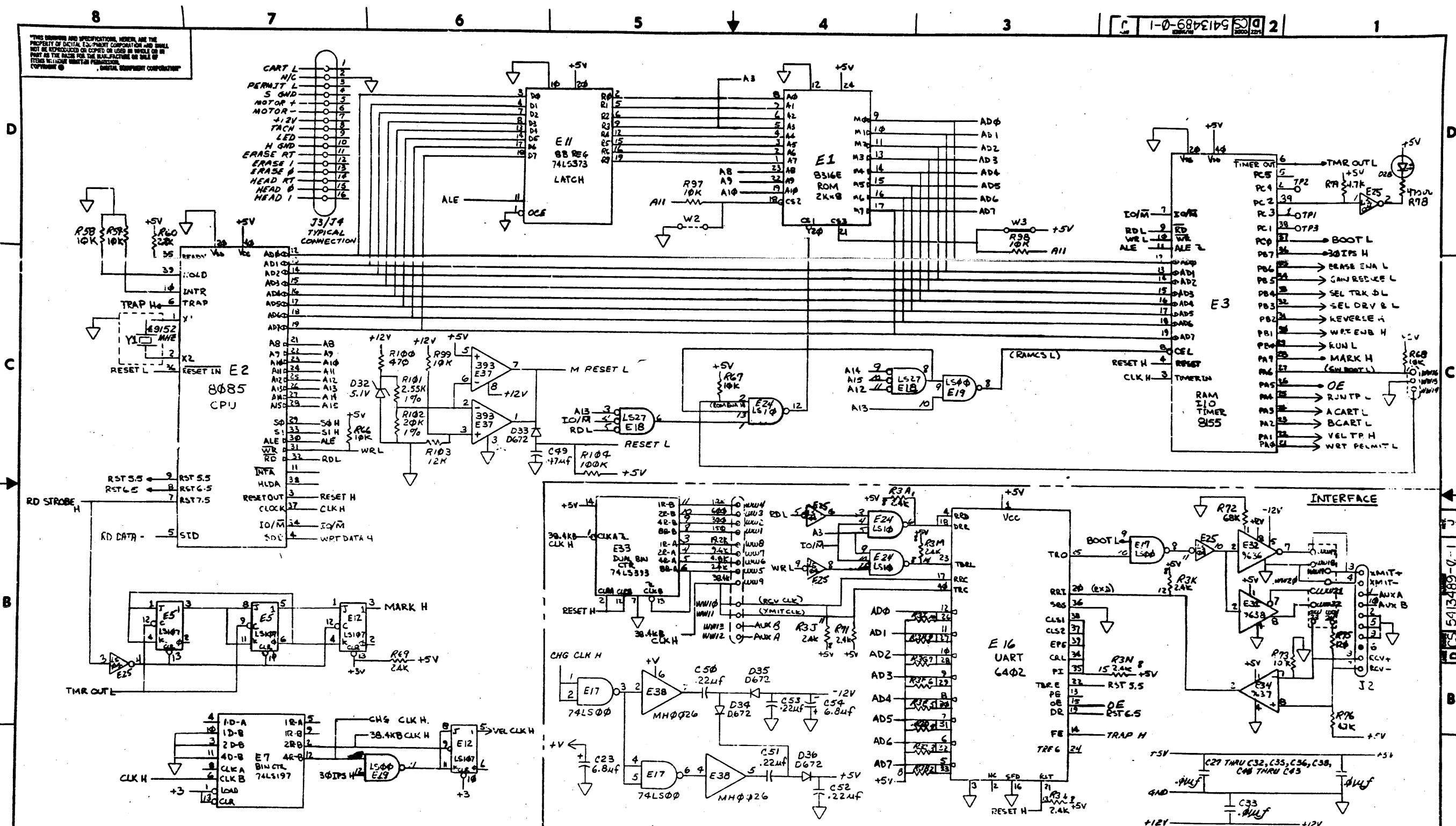
STEP	BY	DATE	DESCRIPTION

ETCH REV. F-P1

SIGNATURES	DATE
DRN. D. POWERS	10-78
CHK'D. <i>[Signature]</i>	11-78
MECH. ENG. <i>[Signature]</i>	12-78
PROJ. ENG. <i>[Signature]</i>	1-79
PROD. <i>[Signature]</i>	1-79

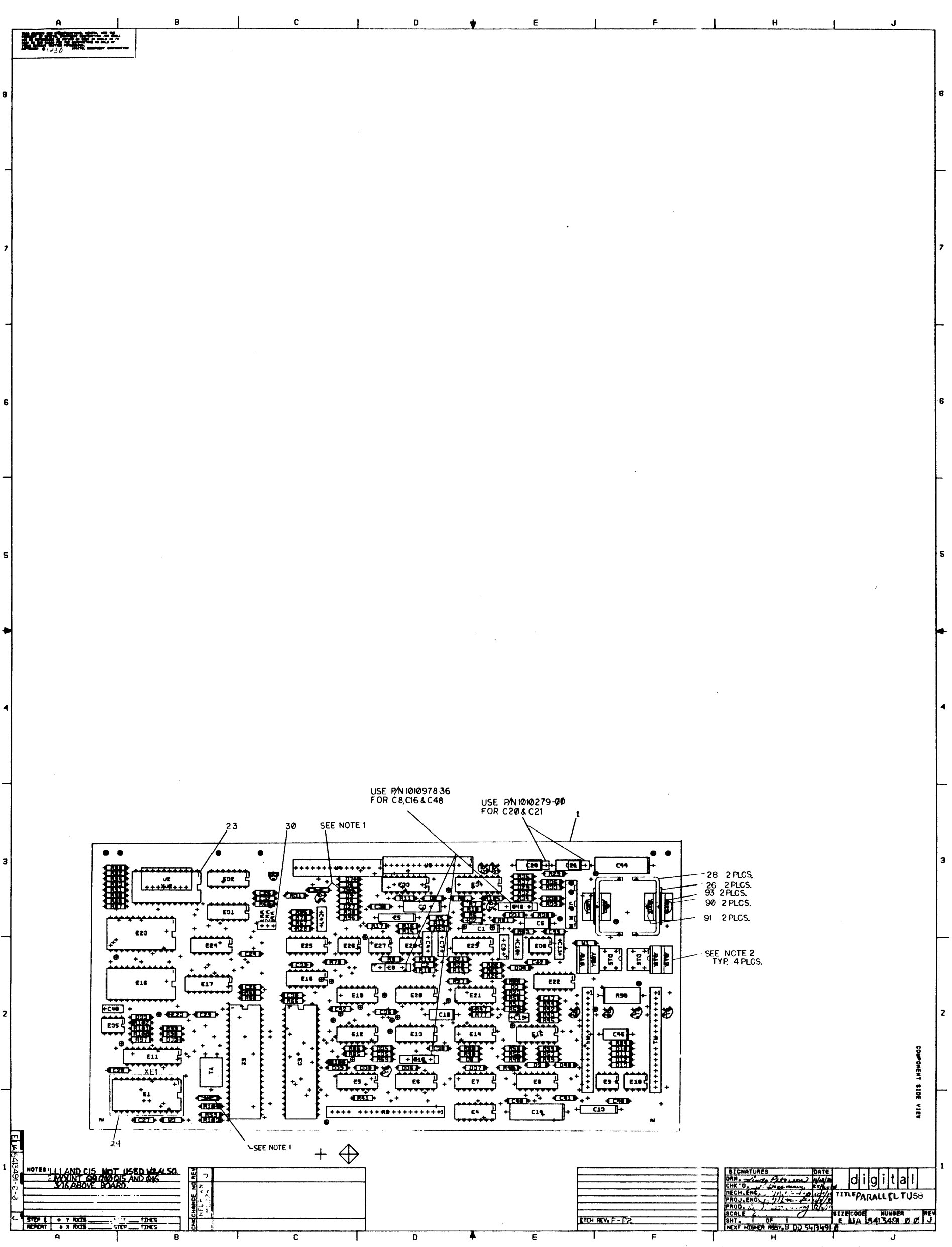
SCALE 2/1
 SHIT. 1 OF 1
 NEXT WORKING COPY, B-CC-5413489-0

TITLE	digital
TITLE	SERIAL TU58
SIZE CODE	EUA 5413489-001



REV.	CHG.	NO.	BY	DATE
1				
2				
3				
4				
5				
6				
7				
8				

DRN. M. LEIS	5/78	FIRST USED ON	TU58
CHK'D H. LAIS	5/78	TITLE	TU58 ELECTRONICS:
ENG. ROSE/LEIS	7/78	PROJ. ENGR.	8/1/78
PROJ. ENGR.	8/1/78	PROOF.	8/1/78
NEXT HIGHER ASSY.		SERIAL	
B-2D-5413489-0	SIZE CODE	NUMBER	REV.
SCALE	D	CS 5413489-0-1	J
SHEET 1 OF 2	DIST.		



USE P/N 1010978-36
FOR C8, C16 & C48

USE P/N 1010279-00
FOR C20 & C21

- 28 2 PLCS.
- 26 2 PLCS.
- 93 2 PLCS.
- 90 2 PLCS.
- 91 2 PLCS.

SEE NOTE 2
TYP. 4 PLCS.

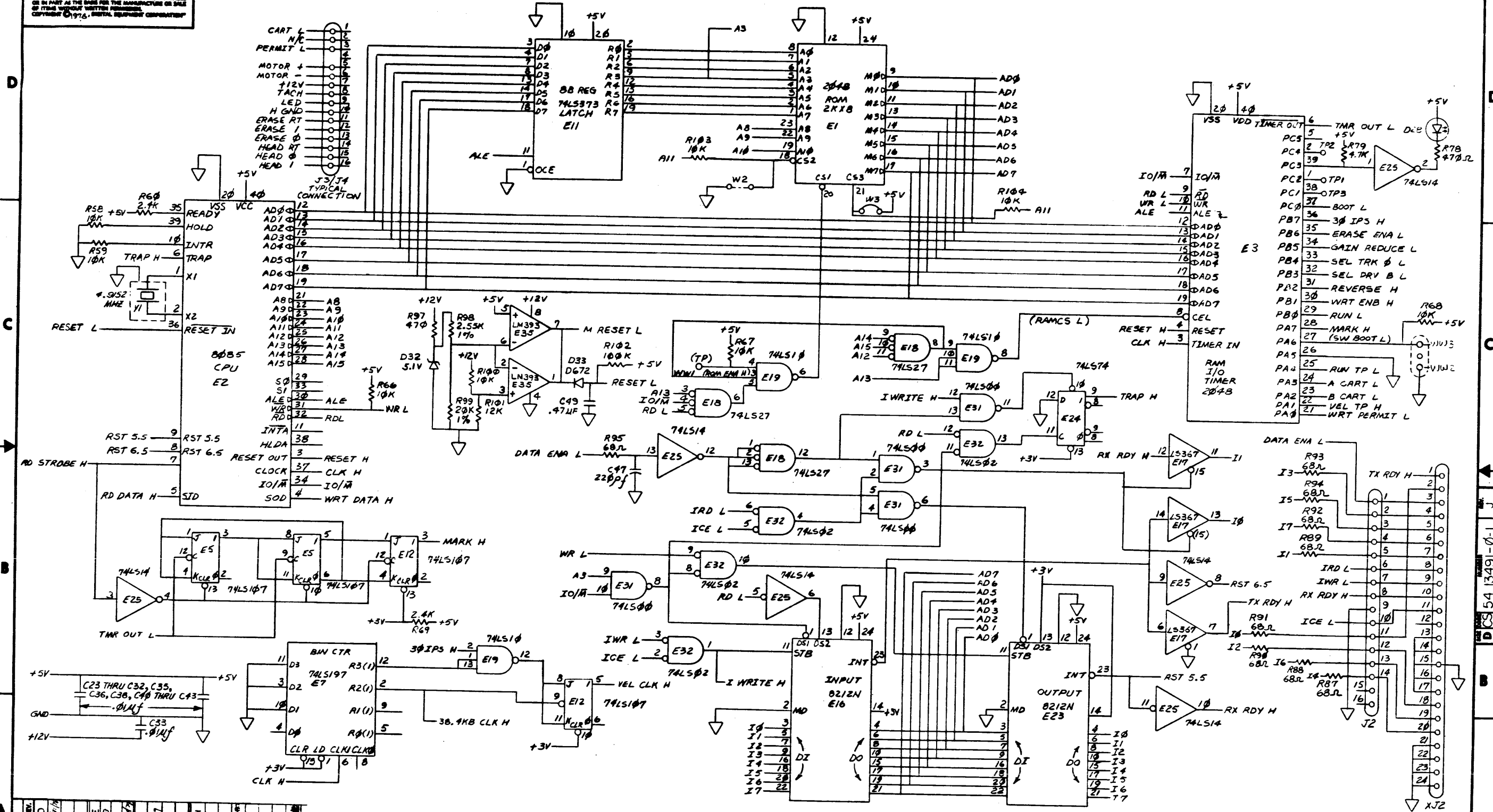
NOTES: 1. L AND C15 NOT USED IN ALSO
2. MOUNT COMPONENTS AND DISK
VIA ABOVE BOARD.

DISCHARGE WIRE	DATE

ETCH REV. F-02

SIGNATURES	DATE	TITLE	SIZE	CODE	NUMBER	REV
DRM: <i>[Signature]</i>	11/11/77	digital				
CHK'D: <i>[Signature]</i>	11/11/77	PARALLEL TUS3				
NECH. ENG. <i>[Signature]</i>						
PROJ. ENG. <i>[Signature]</i>						
PROD. <i>[Signature]</i>						
SCALE						
SHT. 1 OF 1						
NEXT HIGHER NBBY, B DD 541349L						

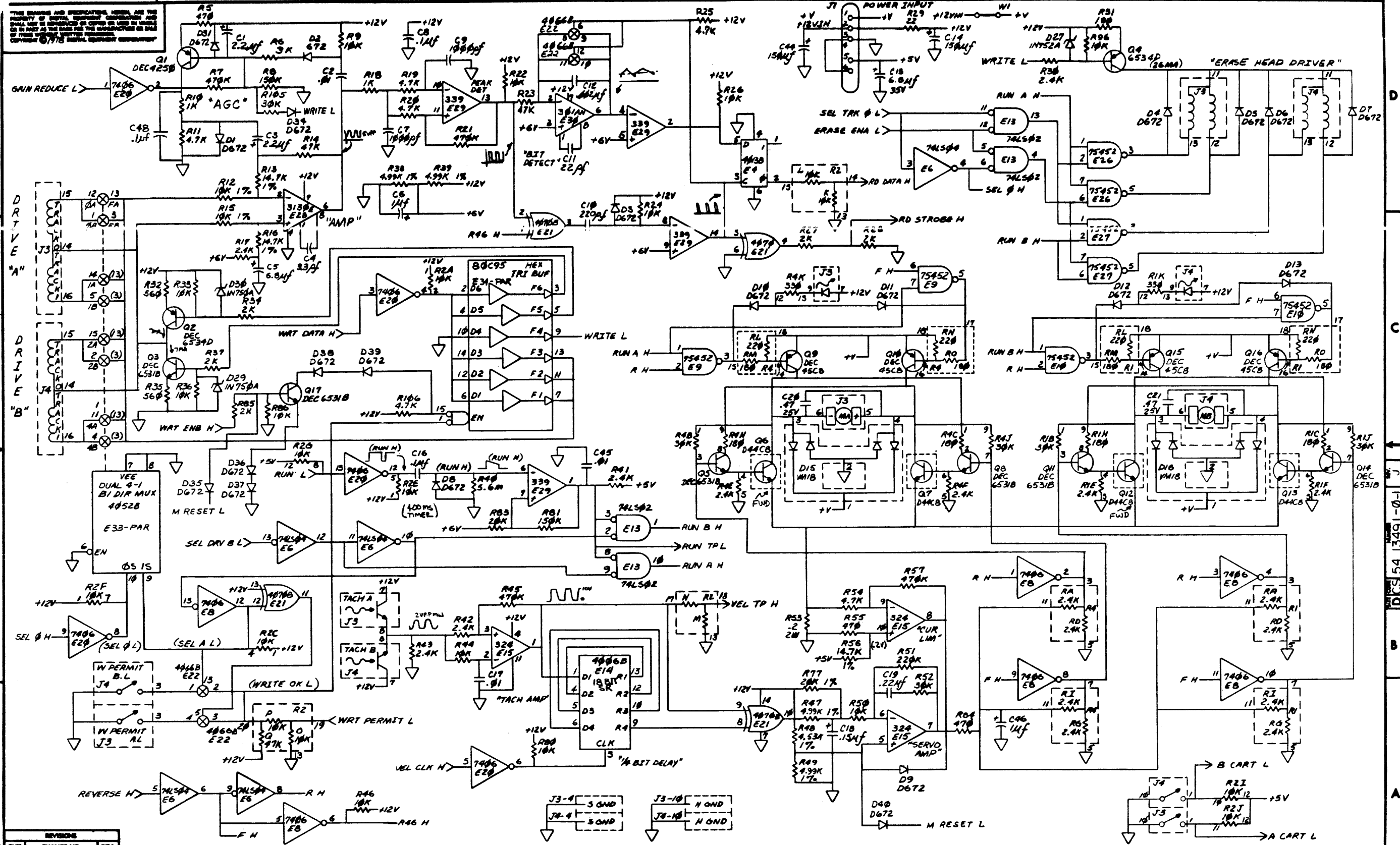
THE DRAWING AND SPECIFICATIONS HEREIN ARE THE PROPERTY OF METAL EQUIPMENT CORPORATION AND SHALL NOT BE REPRODUCED OR COPIED OR USED IN WHOLE OR IN PART AS THE BASIS FOR THE MANUFACTURE OR SALE OF ITEMS WITHOUT WRITTEN PERMISSION. COPYRIGHT © 1976, METAL EQUIPMENT CORPORATION.



REV.	DATE	BY	CHK'D	APP'D
1	11/15/78	M. LEIS	M. LEIS	
2	12/11/78	M. LEIS	M. LEIS	
3	1/11/79	M. LEIS	M. LEIS	
4	2/11/79	M. LEIS	M. LEIS	
5	3/11/79	M. LEIS	M. LEIS	
6	4/11/79	M. LEIS	M. LEIS	
7	5/11/79	M. LEIS	M. LEIS	
8	6/11/79	M. LEIS	M. LEIS	
9	7/11/79	M. LEIS	M. LEIS	
10	8/11/79	M. LEIS	M. LEIS	
11	9/11/79	M. LEIS	M. LEIS	
12	10/11/79	M. LEIS	M. LEIS	
13	11/11/79	M. LEIS	M. LEIS	
14	12/11/79	M. LEIS	M. LEIS	
15	1/11/80	M. LEIS	M. LEIS	
16	2/11/80	M. LEIS	M. LEIS	
17	3/11/80	M. LEIS	M. LEIS	
18	4/11/80	M. LEIS	M. LEIS	
19	5/11/80	M. LEIS	M. LEIS	
20	6/11/80	M. LEIS	M. LEIS	
21	7/11/80	M. LEIS	M. LEIS	
22	8/11/80	M. LEIS	M. LEIS	
23	9/11/80	M. LEIS	M. LEIS	
24	10/11/80	M. LEIS	M. LEIS	
25	11/11/80	M. LEIS	M. LEIS	
26	12/11/80	M. LEIS	M. LEIS	
27	1/11/81	M. LEIS	M. LEIS	
28	2/11/81	M. LEIS	M. LEIS	
29	3/11/81	M. LEIS	M. LEIS	
30	4/11/81	M. LEIS	M. LEIS	
31	5/11/81	M. LEIS	M. LEIS	
32	6/11/81	M. LEIS	M. LEIS	
33	7/11/81	M. LEIS	M. LEIS	
34	8/11/81	M. LEIS	M. LEIS	
35	9/11/81	M. LEIS	M. LEIS	
36	10/11/81	M. LEIS	M. LEIS	
37	11/11/81	M. LEIS	M. LEIS	
38	12/11/81	M. LEIS	M. LEIS	
39	1/11/82	M. LEIS	M. LEIS	
40	2/11/82	M. LEIS	M. LEIS	
41	3/11/82	M. LEIS	M. LEIS	
42	4/11/82	M. LEIS	M. LEIS	
43	5/11/82	M. LEIS	M. LEIS	
44	6/11/82	M. LEIS	M. LEIS	
45	7/11/82	M. LEIS	M. LEIS	
46	8/11/82	M. LEIS	M. LEIS	
47	9/11/82	M. LEIS	M. LEIS	
48	10/11/82	M. LEIS	M. LEIS	
49	11/11/82	M. LEIS	M. LEIS	
50	12/11/82	M. LEIS	M. LEIS	

DESIGNED BY	DATE	FIRST USED ON	DIGITAL
CHK'D BY	DATE	TU58	
ENGR. BY	DATE	TITLE	
PROD. ENGR. BY	DATE	PARALLEL TU58	
PROD. TECH. BY	DATE		
NEXT HIGHER ASSY.			
B-DD-5413491-0	SIZE CODE	NUMBER	REV.
SCALE	D CS	54 13491-0-1	J
SHEET 1 OF 2	DIST.		

THE DIMENSIONS AND SPECIFICATIONS HEREIN ARE THE PROPERTY OF DIGITAL EQUIPMENT CORPORATION AND SHALL NOT BE REPRODUCED OR COPIED OR USED IN WHOLE OR IN PART AS THE BASIS FOR THE MANUFACTURE OR SALE OF OTHER VLSI DEVICES WITHOUT THE WRITTEN PERMISSION OF DIGITAL EQUIPMENT CORPORATION.



REVISIONS		
CHK	CHANGE NO.	REV.
	ML001	D
	ML001	D
	M. LEIS	

TITLE	DCS CODE	NUMBER	REV.
PARALLEL TU58	DCS 54 13491-0-1	J	
SCALE	SHEET 2 OF 2	DIST.	

LINE	ITEM	DOCUMENT NUMBER	PART NUMBER	DESCRIPTION	QTY PER VARIATION	REFERENCE DESIGNATOR
					00	
1	1		5013488-00	TU58 ELECTRONIC SERIAL	1	
2	2		1215816-00	HEADER.100 15POS STRAIGHT	2	J3,J4
3	3		1000021-00	220.0 MMF 100V 5%200PPM MICA	1	C10
4	4		1000023-00	*** THIS ITEM IS NOT USED ***	-	
5	5		1010978-36	.1 MFD 50V 10% CER	3	C8,C16,C47
6	6		1000042-00	1000.0 MMF 100V 5%200PPM MICA	2	C9,C7
7	7		1001610-00	.01 MFD 50V +80-20% 25U CER	17	C2,C17,C27-C33,C35,C36,C38,C40, CONT C41,C42,C43,C45
8	8		1001776-00	1 MFD 35V 10% S.TANT	2	C6,C46
9	9		1002315-00	2000.0 MMF 500V 5%200PPM MICA	1	C12
10	10		1013466-21	3.3 MMF 50V+- .5PF CER	1	C4
11	11		1002431-00	2.2MFD 35V 10% S.TANT	2	C1,C3
12	12		1005306-00	6.8MFD 35V 10% S.TANT	4	C5,C13,C23,C54
13	13		1005334-00	*** THIS ITEM IS NOT USED ***	-	
14	14		1005820-00	22.0 MMF 100V 5%200PPM MICA	1	C11
15	15		1010978-40	.22 MFD 50V 10% CER	1	C19
16	16		1011895-00	.15 MFD 35V 10% S.TANT	1	C18
17	17		1012312-00	*** THIS ITEM IS NOT USED ***	-	
18	18		1100101-00	*** THIS ITEM IS NOT USED ***	-	
19	19		1102808-00	1N 752A VZ= 5.6 5% .40W	1	D27
20	20		1105275-00	D 672 TR= 15NS PIV= 60V SI	25	D1-D13,D31,D33-D43
21	21		1110324-00	LED 1MCD@10MA PIV=3	1	D28
22	22		1115369-00	VM 18 PIV=100 I=1A	2	D15,D16
23	23		1213506-04	HEADER 10POS RT ANGLE W/3 SI	1	J2
24	24		1212385-04	SOCKET 24PIN IC	1	XE1
25	25	USED FOR Q7 & Q12	1213071-06	INSULATOR,RUBBER SILICONE	2	
26	26		1213113-01	*** THIS ITEM IS NOT USED ***	-	
27	27		1213418-01	HEAT SINK,VERTICLE MNT,ALUMINUM	2	
28	28		1300247-00	120.0 .25 W 5.0 % CC	1	R75
29	29		1300274-00	*** THIS ITEM IS NOT USED ***	-	

REVISION HISTORY		BASIC PART NO: 5413489		DRN:	DAN MUTNANSKY	DATE:	22-MAY-78	D I G I T A L			
ENG	ECD NUMBER	REV	SECTION A OF A	CHK'D:	P. BOSSMAN	DATE:	6-JUNE-78	TITLE	PARTS LIST		
---	INIT	C	SECTION.VARIATION INDEX	CHK'D:	P. BOSSMAN	DATE:	6-JUNE-78	TITLE	PARTS LIST		
!PB	!5413489-ML001	!D	! [A] 00					SERIAL TU58			
!M.L	!5413489-ML003	!E	! [B]								
!ML	!5413489-ML004	!F	! [C]	DES.ENG:	MIKE LEIS	DATE:	22-MAY-78				
!D.M	!5413489-ML006	!H	! [D]					DOCUMENT NUMBER			
			! [E]								
			! [F]	RESP.ENG.:	M. LEIS	DATE:	6-JUNE-78	SIZE	CODE	NUMBER	REV
			! [G]								
			! [H]								
			! [I]	MFG.ENG.:	P. BARTON	DATE:	6-JUNE-78	K	PL	5413489-0-DBP	H
			! [J]								
			! [K]	ASSEMBLY NUMBER:		TOP DOCUMENT NUMBER:		FILE NAME:	EDIT #		
			! [L]	!E-UA-5413489-0-0		!TU58		!Z0582H.PLS	! 38		
			! [M]								
			! [N]								

"THIS DRAWING AND SPECIFICATIONS HEREIN, ARE THE PROPERTY OF DIGITAL EQUIPMENT CORPORATION AND SHALL NOT BE REPRODUCED OR COPIED OR USED IN WHOLE OR IN PART AS THE BASIS FOR THE MANUFACTURE OR SALE OF ITEMS WITHOUT WRITTEN PERMISSION. COPYRIGHT (C) 1980. DIGITAL EQUIPMENT CORPORATION"

LINE	ITEM	DOCUMENT NUMBER	PART NUMBER	DESCRIPTION	QTY PER VARIATION	REFERENCE DESIGNATOR
					00	
30	30		1300316-00	470.0 .25 W 5.0 % CC	5	R5,R55,R100,R78,R84
31	31		1300365-00	1.0 K .25 W 5.0 % CC	2	R10,R18
32	32		1300295-00	*** THIS ITEM IS NOT USED ***	-	
33	33		1300447-00	4.70 K .25 W 5.0 % CC	8	R11,R19,R20,R25,R54,R79,R76,R105
34	34		1300479-00	10.0 K .25 W 5.0 % CC	21	R9,R22,R24,R26,R44,R46,R50,R58, R59,R66,R67,R68,R80,R33,R36,R96, R86,R73,R97-R99
35	35		1301322-00	180.0 .25 W 5.0 % CC	1	R31
36	36		1301327-00	68.0 K .25 W 5.0 % CC	1	R72
37	37		1300432-00	3.0 K .25 W 5.0 % CC	1	R6
38	38		1301969-00	22.0 .25 W 5.0 % CC	1	R29
39	39		1302092-00	220.0 K .25 W 5.0 % CC	1	R51
40	40		1302177-00	47.0 K .25 W 5.0 % CC	2	R14,R23
41	41		1302388-00	2.0 K .25 W 5.0 % CC	5	R27,R28,R34,R37,R85
42	42		1302391-00	20.0 K .25 W 5.0 % CC	1	R83
43	43		1302394-00	30.0 K .25 W 5.0 % CC	2	R52,R106
44	44		1302396-00	150.0 K .25 W 5.0 % CC	2	R8,R81
45	45		1302398-00	470.0 K .25 W 5.0 % CC	4	R7,R21,R45,R57
46	46		1302941-00	14.70 K .25 W 1.0 % RN55D-F10	3	R13,R16,R56
47	47		1303177-00	2.40 K .25 W 5.0 % CC	8	R17,R30,R41,R42,R43,R60,R69,R71
48	48		1303312-00	10.0 K .25 W 1.0 % RN55D-F10	2	R12,R15
49	49		1305324-00	4.99 K .25 W 1.0 % RN55D-F10	4	R38,R39,R47,R49
50	50		1309386-00	5.60 M .25 W 5.0 % CC	1	R40
51	51		1001610-01	*** THIS ITEM IS NOT USED ***	-	
52	52		1311466-00	.20 2.0 W 5.0 % WW	1	R53
53	53		1313596-00	20.0 K .25 W 1.0 % RN55D-F10	2	R77,R102
54	54		1315660-00	R NETWORK 16-10K 1-4.7K 20PIN	1	R2
55	55		1315661-00	R NETWORK MULTI-VALUE	2	R1,R4
56	56		1315662-00	R NETWORK 14-2.4K 10.0 % 15PIN	1	R3
57	57		1503409-00	DEC6534D PNP 310MW SI 40 90	2	Q2,Q4
58	58		1509142-00	DEC4250 PNP 200MW SI 40250	1	Q1
59	59		1509338-00	DEC6531B NPN 310MW SI 40 90 P	6	Q3,Q5,Q8,Q11,Q14,Q17
60	60		1510421-00	D 44C8 NPN 30WT SI 60 20	4	Q6,Q7,Q12,Q13
61	61		1510598-00	DEC45C8 PNP 27WT SI 60 20 Y	4	Q9,Q10,Q15,Q16
62	62		1812396-06	XTAL 4.9152 MHZ	1	Y1
63	63		1910282-00	301AN OP AMP	1	E30
64	64		1910645-00	75452 DRIVER,PERIPH,DUAL,	4	E9,E10,E26,E27
65	65		1910741-00	7406 INVERTER GATE-HEX 1I	1	E8
66	66		1911242-00	*** THIS ITEM IS NOT USED ***	-	
67	67		1912107-00	324 OP AMP,QUAD	1	E15
68	68		1912108-00	339 VOLT CMPRTR,QUAD	1	E29
69	69		1912799-00	LS00 NAND-GATE-QUAD 2IN,P	2	E17,E19
70	70		1912801-00	LS02 NOR-GATE-QUAD 2IN	1	E13
71	71		1912803-00	774LS04 INVERTER GATE, HEX	2	E6,E25
72	72		1912807-00	LS10 NAND GATE-TRIPLE 3IN	1	E24
73	73		1912813-00	LS27 NOR GATE-TRIPLE 3IN	1	E18
74	74		1912832-00	LS107 FF-JK DUAL MASTER/SL	2	E5,E12
75	75		1912857-00	LS197 COUNTER,BINARY,PRESET	1	E7

DI	GI	IT	AL	TITLE	SERIAL TU58	SECTION A OF A	SIZE	CODE	DOCUMENT NUMBER	REV
							K	PL	5413489-0-DBP	H

LINE ITEM	DOCUMENT NUMBER	PART NUMBER	DESCRIPTION	QTY PER VARIATION 00	REFERENCE DESIGNATOR	
76	76	1914451-00	74LS393 COUNTER,BINARY,4BIT	1	E33	
77	77	1914466-00	3130E OP AMP MOS/FET IN,CM	1	E28	
78	78	1915219-00	LS373 FF-D OCTAL-TRANSPARE	1	E11	
79	79	1915415-00	9636 DRIVER,DUAL,EIA RS-	1	E32	
80	80	1915416-00	9637 RECEIVER,DUAL,RS-42	1	E34	
81	81	1915417-00	9638 DRIVER,DUAL,EIA RS-	1	E31	
82	82	2113605-00	4006B SHIFT REG,18 STAGE	1	E14	
83	83	2113609-00	4013B FF-D DUAL W/SET/RESE	1	E4	
84	84	2113630-00	4052B MULTIPLEXER 4CHAN DI	1	E35	
85	85	2113632-00	4065B BILATERAL SWITCH-QUA	1	E22	
86	86	2113634-00	4070B X-OR GATE-QUAD CMOS	1	E21	
87	87	2113937-00	UART 125K BUAD	1	E16	
88	88	2114663-00	MM 80C95 BUFFER-GATE-HEX TRIS	1	E36	
89	89	2114963-00	UP,8-BIT NMOS	1	E2	
90	90	2114964-00	RAM 2048 MOSJ-STATIC	1	E3	
91	91	23089E2-00	E2-01	1	E1	
92	92	1212619-07	HEADER.156 6POS STRAIGHT	1	J1	
93	93	9009185-00	JUMPER, WIRE, INSULATED, BLACK B	2	W1,W3	
94	94	USED FOR Q7 & Q12	9010057-00	WASHER, INSULATING SHOULDER FOR	2	
95	95		1215816-01	HEADER.100 3POS STRAIGHT	1	
96	96		1215816-02	HEADER.100 13POS STRAIGHT	1	
97	97		1215816-03	HEADER.100 8POS STRAIGHT	1	
98	98		9006011-01	SCREW,PAN,PHIL 4-40X 3/8 SS	2	
99	99		9006557-00	NUT,KEP , 4-40X 1/4 AF	2	
100	100		1100124-00	1N 750A VZ= 4.7 5% .40W P	2	D29,D30
101	101		1301890-00	560.0 .25 W 5.0 % CC	2	R32,R35
102	102		1313840-00	4.53 K .25 W 1.0 % RN55D-F10	1	R48
103	103		9105740-55	WIRE(WRAP)30AWG UL1423	A/R	
104	104		1012084-03	150 MFD 15V +75-10% AL EL	2	C44,C14
105	105		9107256-11	*** THIS ITEM IS NOT USED ***	-	
106	106		1910741-01	7406N BUFFER,HEX	1	E20
107	107		5414232-00	*** THIS ITEM IS NOT USED ***	-	
108	108		1310633-00	2.55 K .25 W 1.0 % RN55D-F10	1	R101
109	109		1300488-00	12.0 K .25 W 5.0 % CC	1	R103
110	110		1302466-00	100.0 K .25 W 5.0 % CC	1	R104
111	111		1105871-00	1/4M5.1A21 = 5.1 1% .25W N	1	D32
112	112		1914156-00	LM 393 VOLT.COMPARATOR DUAL	1	E37
113	113		1912098-00	0026 DRIVER,MOS CLOCK,2	1	E38
114	114		1010274-01	.22 MFD 50V +80-20% Z5U CER	4	C50-C53
115	115		1010279-00	.47 MFD 25V 20% CER	3	C20,C21,C49

D I G I T A L										SERIAL TU58										SECTION A OF A										SIZE CODE DOCUMENT NUMBER REV									
																														K PL 5413489-0-DBP H									

LINE	ITEM	DOCUMENT NUMBER	PART NUMBER	DESCRIPTION	QTY	PER VARIATION	REFERENCE DESIGNATOR
1	1		5013490-00	TU58 ELECTRONICS PARALLEL	1		
2	2		1000021-00	220.0 MMF 100V 5%200PPM MICA	2		C10,C47
3	3		1010978-36	.1 MFD 50V 10% CER	3		C9,C15,C48
4	4		1000042-00	1000.0 MMF 100V 5%200PPM MICA	2		C9,C7
5	5		1001610-00	.01 MFD 50V +80-20% 25U CER	21	CONT	C2,C17,C23-C33,C35,C36,C38, C40-C43,C45
6	6		1001776-00	1 MFD 35V 10% S.TANT	2		C6,C46
7	7		1002315-00	2000.0 MMF 500V 5%200PPM MICA	1		C12
8	8		1013466-21	3.3 MMF 50V+-5PF CER	1		C4
9	9		1002431-00	2.2MFD 35V 10% S.TANT	2		C1,C3
10	10		1005306-00	6.8MFD 35V 10% S.TANT	2		C5,C13
11	11		1005820-00	22.0 MMF 100V 5%200PPM MICA	1		C11
12	12		1010978-40	.22 MFD 50V 10% CER	1		C19
13	13		1011895-00	.15 MFD 35V 10% S.TANT	1		C18
14	14		1012084-03	150 MFD 15V +75-10% AL EL	2		C44,C14
15	15		1012312-09	.47 MFD 50V +80-20% CER	2		C20,C21
16	16		1100124-00	1N 750A VZ= 4.7 5% .40W P	2		D29,D30
17	17		1102808-00	1N 752A VZ= 5.6 5% .40W	1		D27
18	18		1105275-00	D 672 TR= 15NS PIV= 60V SI	14		D1-D13,D31
19	19		1110324-00	LED 1MCD@10MA PIV=3	1		D28
20	20		1115369-00	VM 18 PIV=100 I=1A	2		D15,D16
21	21		1216106-00	SOCKET 32PIN	1		J2
22	22		1212385-04	SOCKET 24PIN IC	1		XE1
23	23		1212619-07	HEADER.156 6POS STRAIGHT	1		J1
24	24		1213071-06	INSULATOR,RUBBER SILICONE	2		
25	25		1213418-01	HEAT SINK,VERTICLE MNT ALUMINUM	2		
26	26		1215816-00	HEADER.100 15POS STRAIGHT	2		J3,J4
27	27		1215816-01	HEADER.100 3POS STRAIGHT	1		
28	28		1300219-00	68.0 .25 W 5.0 % CC	9		R87-R95
29	29		1300316-00	470.0 .25 W 5.0 % CC	4		R5,R55,R78,R84

REVISION HISTORY		BASIC PART NO: 5413491		DRN: D. MUTNANSKY		DATE: 14-JUL-78		DIGITAL	
ENG:	ECO NUMBER	REV	SECTION A OF A	CHK'D: D. MUTNANSKY		DATE: 08-AUG-78		TITLE PARTS LIST	
---	INIT	C	SECTION VARIATION INDEX	DES.ENG: M. LEIS		DATE: 08-AUG-78		DOCUMENT NUMBER	
PB	MLO01	D	[A] 00	RESP.ENG.: M. LEIS		DATE: 14-JUL-78		SIZE: CODE: NUMBER REV	
M.L.	MLO02	E	[B]	MFG.ENG.: P. BARTON		DATE: 08-AUG-78		K PL 5413491-0-DBP H	
ML	5413491-MLO03	F	[C]	ASSEMBLY NUMBER:		TOP DOCUMENT NUMBER:		FILE NAME: EDIT #	
ML	5413491-MLO05	H	[D]	D-UA-5413491-0-0		TU58		Z0583H.PLS 30	
			[E]						
			[F]						
			[G]						
			[H]						
			[I]						
			[J]						
			[K]						
			[L]						
			[M]						
			[N]						

"THIS DRAWING AND SPECIFICATIONS HEREIN, ARE THE PROPERTY OF DIGITAL EQUIPMENT CORPORATION AND SHALL NOT BE REPRODUCED OR COPIED OR USED IN WHOLE OR IN PART AS THE BASIS FOR THE MANUFACTURE OR SALE OF ITEMS WITHOUT WRITTEN PERMISSION. COPYRIGHT (C) 1981. DIGITAL EQUIPMENT CORPORATION"

LINE	ITEM	DOCUMENT NUMBER	PART NUMBER	DESCRIPTION	QTY PER VARIATION	REFERENCE DESIGNATOR
					00	
30	33		1300365-00	1.0 K .25 W 5.0 % CC	2	R10, R18
31	35		1300447-00	4.70 K .25 W 5.0 % CC	8	R11, R19, R20, R25, R54, R79, R85, R86
32	36		1300479-00	10.0 K .25 W 5.0 % CC	16	R9, R22, R24, R26, R44, R46, R50, R58, R59, R66-R68, R80, R33, R36, R96
						CONT
33	37		1301322-00	180.0 .25 W 5.0 % CC	1	R31
34	38		1300432-00	3.0 K .25 W 5.0 % CC	1	R6
35	39		1301890-00	560.0 .25 W 5.0 % CC	2	R32, R35
36	40		1301969-00	22.0 .25 W 5.0 % CC	1	R29
37	41		1302092-00	220.0 K .25 W 5.0 % CC	1	R51
38	42		1302177-00	47.0 K .25 W 5.0 % CC	2	R14, R23
39	43		1302388-00	2.0 K .25 W 5.0 % CC	4	R27, R28, R34, R37
40	44		1302391-00	20.0 K .25 W 5.0 % CC	1	R83
41	45		1302394-00	30.0 K .25 W 5.0 % CC	1	R52
42	46		1302396-00	150.0 K .25 W 5.0 % CC	2	R3, R81
43	47		1302398-00	470.0 K .25 W 5.0 % CC	4	R7, R21, R45, R57
44	48		1302941-00	14.70 K .25 W 1.0 % RN55D-F10	3	R13, R16, R56
45	49		1303177-00	2.40 K .25 W 5.0 % CC	7	R17, R30, R41-R43, R60, R69
46	50		1303312-00	10.0 K .25 W 1.0 % RN55D-F10	2	R12, R15
47	51		1305324-00	4.99 K .25 W 1.0 % RN55D-F10	4	R38, R39, R47, R49
48	52		1309386-00	5.60 M .25 W 5.0 % CC	1	R40
49	53		1311466-00	.20 2.0 W 5.0 % WW	1	R53
50	54		1313596-00	20.0 K .25 W 1.0 % RN55D-F10	1	R77
51	55		1313840-00	4.53 K .25 W 1.0 % RN55D-F10	1	R48
52	56		1315660-00	R NETWORK 16-10K 1-4.7K 20PIN	1	R2
53	57		1315661-00	R NETWORK MULTI-VALUE	2	R1, R4
54	58		1503409-00	DEC6534D PNP 310MW SI 40 90	2	Q2, Q4
55	59		1509142-00	DEC4250 PNP 200MW SI 40250	1	Q1
56	60		1509338-00	DEC6531B NPN 310MW SI 40 90 P	6	Q3, Q5, Q8, Q11, Q14, Q17
57	61		1510421-00	D 44C8 NPN 30WT SI 60 20	4	Q6, Q7, Q12, Q13
58	62		1510598-00	DEC45C8 PNP 27WT SI 60 20 Y	4	Q9, Q10, Q15, Q16
59	63		1812396-06	XTAL 4.9152 MHZ	1	Y1
60	64		1910282-00	301AN OP AMP	1	E30
61	65		1910645-00	75452 DRIVER, PERIPH, DUAL	4	E9, E10, E26, E27
62	66		1910741-00	7406 INVERTER GATE-HEX 11	1	E8
63	67		1912107-00	324 OP AMP, QUAD	1	E15
64	68		1912108-00	339 VOLT CMPRTR, QUAD	1	E29
65	69		1912799-00	LS00 NAND-GATE-QUAD 2IN, P	2	E19, E31
66	70		1912801-00	LS02 NOR-GATE-QUAD 2IN	2	E13, E32
67	71		1912803-00	74LS04 INVERTER GATE, HEX	1	E6
68	72		1912813-00	LS27 NOR GATE-TRIPLE 3IN	1	E18
69	73		1912824-00	LS74 FF-D DUAL, EDGE TRIGG	1	E24
70	74		1912832-00	LS107 FF-JK DUAL MASTER/SL	2	E5, E12
71	75		1913414-00	LS14 INVERTER GATE-HEX SC	1	E25
72	76		1912857-00	LS197 COUNTER, BINAPY, PRESET	1	E7
73	77		1913471-00	LS367 DRIVER, BUS, HEX, TRI-	1	E17
74	78		1913667-00	DP 8212N BUFFER 8 BIT TRISTA	2	E16, E23
75	79		1914466-00	3130E OP AMP MOS/FET IN, CM	1	E28
76	80		1915219-00	LS373 FF-D OCTAL-TRANSPARE	1	E11

D	I	G	I	T	A	L	TITLE	PARALLEL TUSB	SECTION A	OF A	SIZE	CODE	DOCUMENT NUMBER	REV
											K	PL	5413491-0-DBP	H

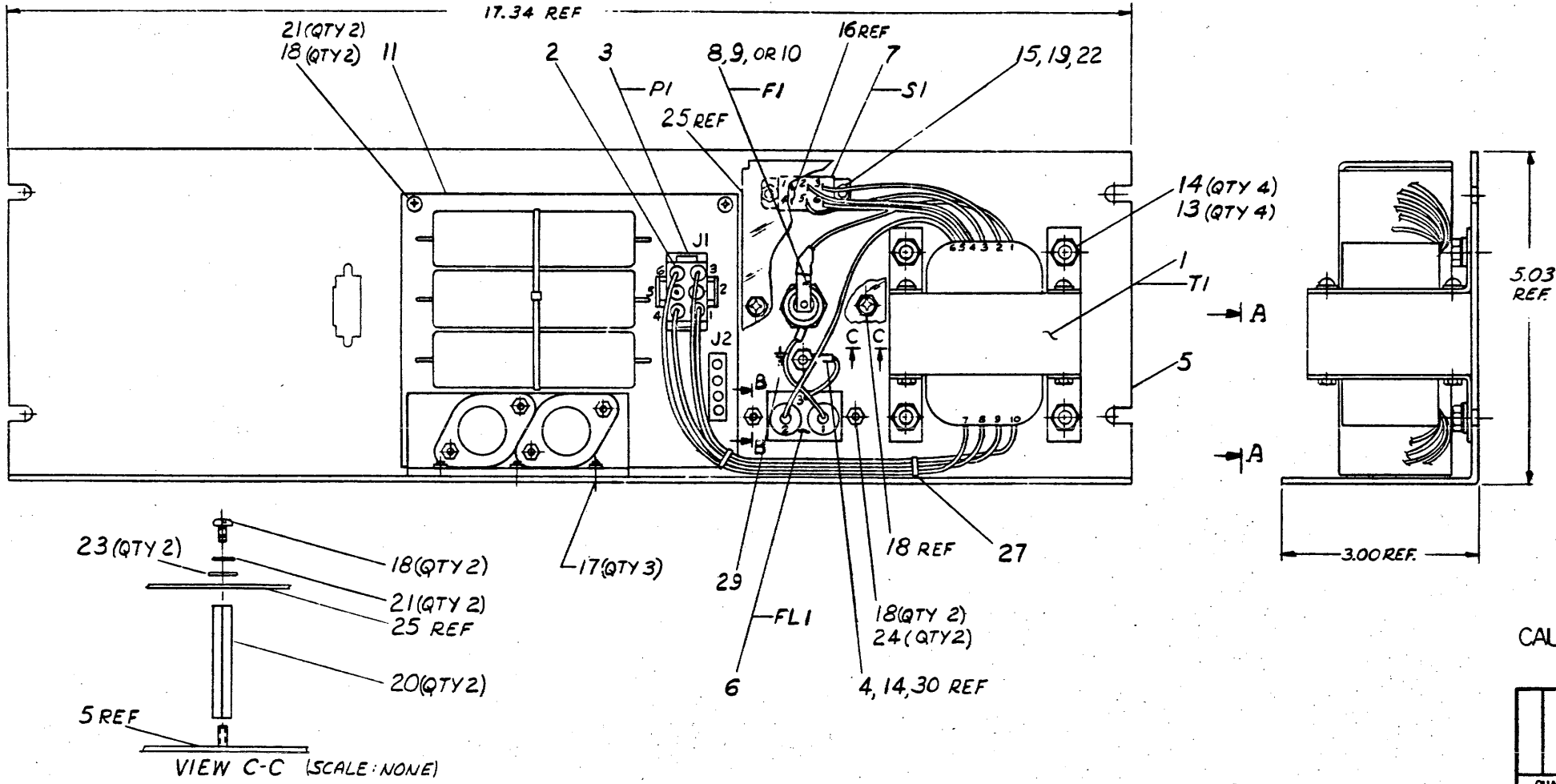
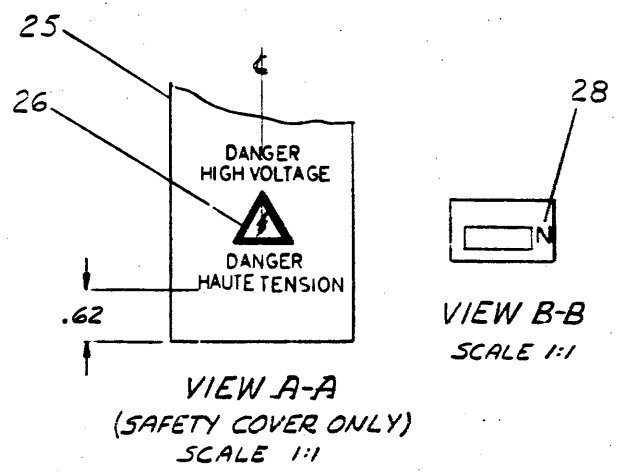
LINE	ITEM	DOCUMENT NUMBER	PART NUMBER	DESCRIPTION	QTY PER VARIATION	REFERENCE DESIGNATOR
					00	
77	81		2113605-00	4006B SHIFT REG, 18 STAGE	1	E14
78	82		2113609-00	4013B FF-D DUAL W/SET/RESE	1	E4
79	83		2113630-00	4052B MULTIPLEXER 4CHAN DI	1	E33
80	84		2113632-00	4066B BILATERAL SWITCH-QUA	1	E22
81	85		2113634-00	4070B X-OR GATE-QUAD CMOS	1	E21
82	86		2114663-00	MM 80C95 BUFFER-GATE-HEX TRIS	1	E34
83	87		2114963-00	UP, 8-BIT NMOS	1	E2
84	88		2114964-00	RAM 2048 MOSJ-STATIC	1	E3
85	89		23078E2-00	E2-01	1	E1
86	90		9006011-01	SCREW, PAN, PHIL 4-40X 3/8 SS	2	
87	91		9006557-00	NUT, KEP 4-40X 1/4 AF	2	
88	92		9009185-00	JUMPER, WIRE, INSULATED, BLACK B	4	W1-W4
89	93		9010057-00	WASHER, INSULATING SHOULDER FOR	2	
90	101		9105740-55	WIRE (WRAP) 30AWG UL1423	A/R	
91	102		5414232-YA	TU58 POWER RESET PARRELL	1	
92	103		1910741-01	7406N BUFFER, HEX	1	E20

D	I	G	I	T	A	L	TITLE	PARALLEL TU58	SECTION A OF A	SIZE	CODE	DOCUMENT NUMBER	REV
										K	PL	5413491-0-DBP	H

THIS DRAWING AND SPECIFICATIONS HEREIN ARE THE PROPERTY OF DIGITAL EQUIPMENT CORPORATION AND SHALL NOT BE REPRODUCED OR COPIED OR USED IN WHOLE OR IN PART AS THE BASIS FOR THE MANUFACTURE OR SALE OF ITEMS WITHOUT WRITTEN PERMISSION. COPYRIGHT © 1978 DIGITAL EQUIPMENT CORPORATION

ITEM NO.	DESCRIPTION	FROM		TO		REMARKS
		AWG	COLOR	CONNECTION WITH	CONNECTION WITH	
1	18 BLUE			T1-7	P1-6	3.72 9.37 LG.
1	18 BLUE			T1-8	P1-4	3.72 9.37 LG.
1	18 BLU/BLK			T1-9	P1-3	3.72 10.00 LG.
1	18 BLU/BLK			T1-10	P1-1	3.72 10.00 LG.
30	GRN/YEL			FL1-3	GND	4, 14 3.5 LG.
31	BROWN			FL1-1	F1-1	SOLDER 4.23 LG.
1	RED			T1-1	F1-2	SOLDER 6.5 LG.
1	RED			T1-2	S1-3	SOLDER 4.5 LG.
1	RED/YEL			T1-3	S1-5	5.5 LG.
1	BLACK			T1-4	S1-2	4.5 LG.
1	WHITE			T1-5	S1-6	4.0 LG.
1	18 WHITE			T1-6	FL1-2	SOLDER 6.5 LG.
16	18			S1-1	S1-4	SOLDER .5 LG.

NOTE:
1. LOCATE ITEM 26 SYMMETRICALLY ON ITEM 25.



CAUTION: OFF SHEET PARTS LIST EXISTS
SEE B-PL-7016078-00

THIRD ANGLE PROJECTION	DESCRIPTION	DWG. PART NO.	ITEM NO.
	UNLESS OTHERWISE SPECIFIED DIMENSIONS ARE IN INCHES		
ANGLES 40° 30'	CLASS OF ACCURACY	NOMINAL DIMENSION RANGE INCHES	
SURFACE QUALITY IN	CHECK ONE	OVER TO	OVER TO
QUANTITY & VARIATION	MEDIUM	0 TO 0.2	0.2 TO 0.4
MICRONCHES	PREFERRED	0.4 TO 0.6	0.6 TO 1.0
REMOVE BURRS AND BREAK SHARP CORNERS	DO NOT SCALE DWG	1.0 TO 1.5	1.5 TO 2.0
DO NOT SCALE DWG	NEXT HIGHER ASSY.	2.0 TO 3.0	3.0 TO 4.0
MATERIAL SEE PARTS LIST	SCALE 1:1	4.0 TO 6.0	6.0 TO 10.0
FINISH	SHEET 1 OF 1	OVER 10.0	OVER 40.0

DBN: [Signature] 15 SEPT 78
CHK'D: [Signature] 23/10/78
ENG. [Signature] 10/21/78
PROJ. ENG. [Signature] 10/21/78
PROD. [Signature] 10/21/78

FIRST USED ON TU 58 digital

TITLE POWER SUPPLY ASSEMBLY

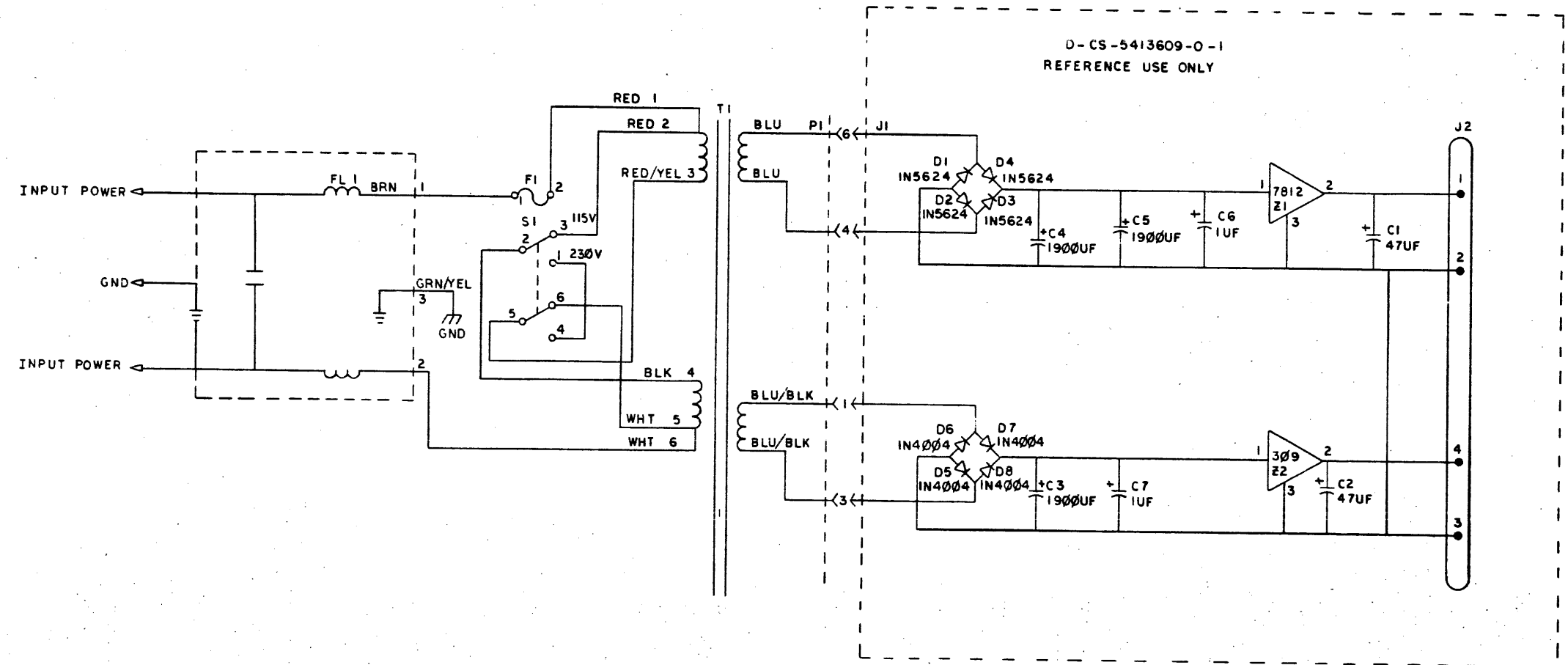
MATERIAL SEE PARTS LIST

SIZE CODE D AD 7016078-0-0

NUMBER REV.

REV.	
CHANGE NO.	
CHK.	

THIS DRAWING AND SPECIFICATIONS HEREIN ARE THE PROPERTY OF DIGITAL EQUIPMENT CORPORATION AND SHALL NOT BE REPRODUCED OR COPIED OR USED IN WHOLE OR IN PART AS THE BASIS FOR THE MANUFACTURE OR SALE OF ITEMS WITHOUT WRITTEN PERMISSION. COPYRIGHT © 1978, DIGITAL EQUIPMENT CORPORATION



D-CS-5413609-0-1
REFERENCE USE ONLY

REV.	
CHANGE NO.	
CHK	

DRN. <i>[Signature]</i>	SEPT 1978	FIRST USED ON	TU58	
CHK <i>[Signature]</i>	SEP 27	TITLE	POWER SUPPLY SCHEMATIC	
ENG. <i>[Signature]</i>	10/2/78	PROJ. ENG. <i>[Signature]</i>	10/2/78	
PROD. <i>[Signature]</i>	10/11/78	PROD. <i>[Signature]</i>	10/11/78	
NEXT HIGHER ASSY.				
D-AD-7016078-0-0		SIZE	CODE	NUMBER
SCALE		D	CS	7016078-0-1
SHEET	OF	DIST.		

AUTOMATED BY PRTLST.3P(44)

PARTS LIST

SHEET A1 OF A1

LINE	ITEM	DOCUMENT NUMBER	PART NUMBER	DESCRIPTION	QUANTITY PER VARIATION
1	1	D-AD-7015510-0-0	7015510-00	CARTRIDGE DRIVE	1
2	2	A-PS-3700385-0-0	3700385-00	INSTR PKG TAPE DRIVE TU58-XA	1
3	3		9906077-03	BAG, COTTON, PARTS	1
4	4	B-MD-7424084-0-0	7424084-00	SCREW, SHOULDER	4
5	5	A-PS-1217653-0-0	1217653-00	SPRING, COMPRESSION .234 OD X .3	4
6	6	B-MD-7424101-0-0	7424101-00	WASHER	4
7	7	EK-DTU58-WS		MOUNTING INSTRUCTIONS	1
8	8	A-PS-3617416-0-0	3617416-00	LABEL, HEAD CLEANING ADVICE FOR T	1

9 NOTE: ITEMS 4-7 ARE MOUNTING HARDWARE TO BAGGED AND SHIPPED WITH UNIT

REVISION HISTORY			BASIC PART NO: OTU58	DRN: G.MARINI	DATE: 9-20-78	D I G I T A L			
ENG	ECO NUMBER	REV	SECTION A OF A	CHK'D: T.ANDREWS	DATE: 12-5-78	TITLE PARTS LIST			
D.W	TU58XA-ML003	A	SECTION. VARIATION INDEX	DES.ENG.: P.WAYNE <td>DATE: 2-2-79 <td colspan="4">DRIVE MECHANISM (TU58-XA)</td> </td>	DATE: 2-2-79 <td colspan="4">DRIVE MECHANISM (TU58-XA)</td>	DRIVE MECHANISM (TU58-XA)			
DW	TU58XA-ML004	B	[A] XA	RESP.ENG.: P.WAYNE <td>DATE: 12-5-80 <td colspan="4">DOCUMENT NUMBER</td> </td>	DATE: 12-5-80 <td colspan="4">DOCUMENT NUMBER</td>	DOCUMENT NUMBER			
DW	TU58XA-ML004	B	[B]	MFG.ENG.: R.TAYLOR <td>DATE: 12-5-78 <td>SIZE: K</td> <td>CODE: PL</td> <td>NUMBER: TU58-XA-0</td> <td>REV: B</td> </td>	DATE: 12-5-78 <td>SIZE: K</td> <td>CODE: PL</td> <td>NUMBER: TU58-XA-0</td> <td>REV: B</td>	SIZE: K	CODE: PL	NUMBER: TU58-XA-0	REV: B
			[C]	ASSEMBLY NUMBER:	TOP DOCUMENT NUMBER:	FILE NAME: Z1609B.PLS		EDIT #: 14	
			[D]						
			[E]						
			[F]						

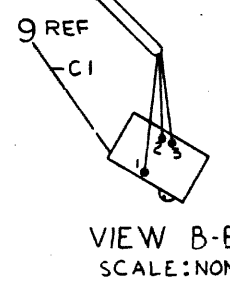
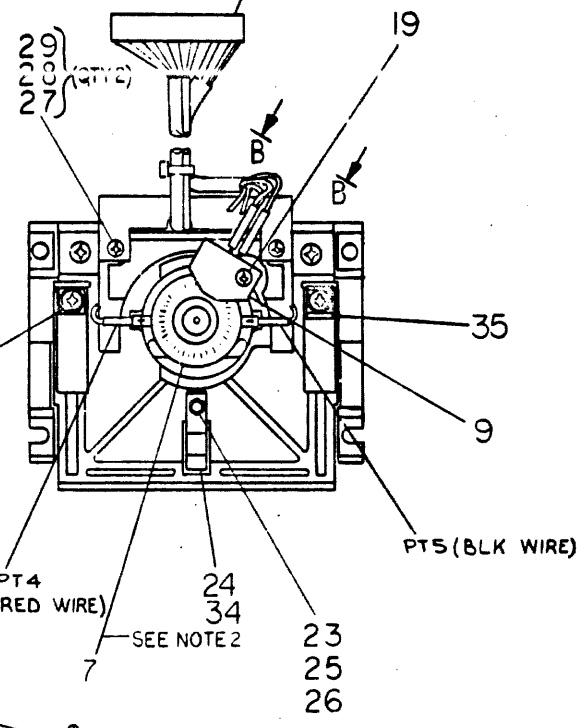
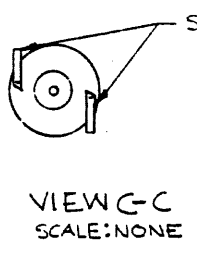
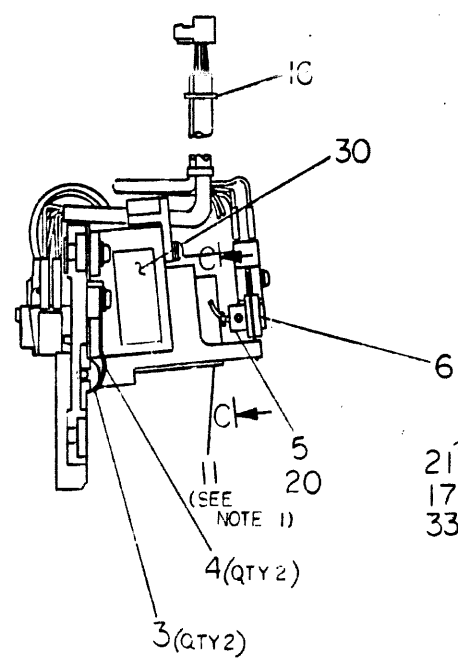
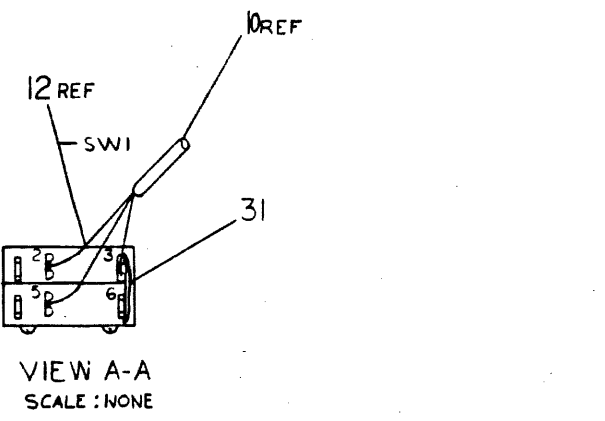
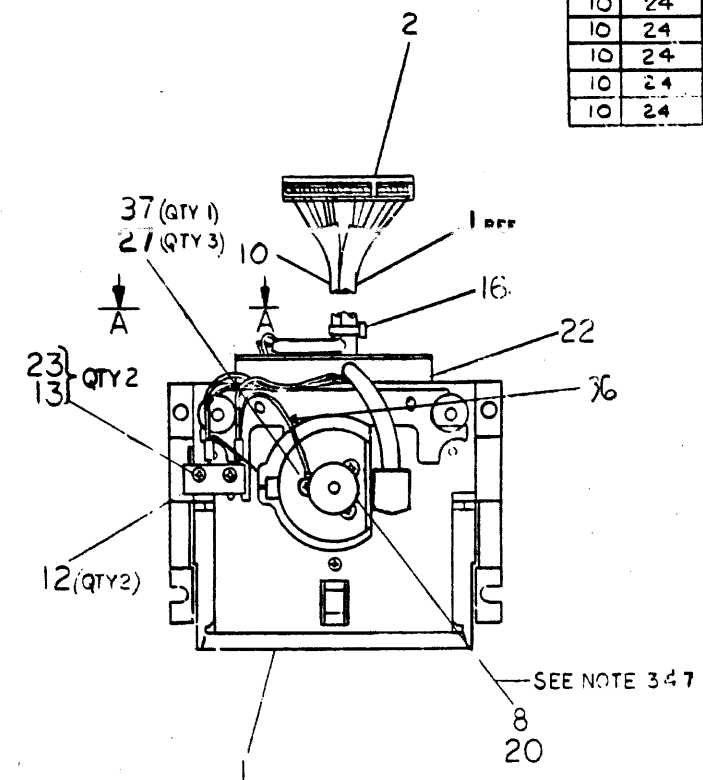
"THIS DRAWING AND SPECIFICATIONS HEREIN, ARE THE PROPERTY OF DIGITAL EQUIPMENT CORPORATION AND SHALL NOT BE REPRODUCED OR COPIED OR USED IN WHOLE OR IN PART AS THE BASIS FOR THE MANUFACTURE OR SALE OF ITEMS WITHOUT WRITTEN PERMISSION. COPYRIGHT (C) 1981. DIGITAL EQUIPMENT CORPORATION"

THIS DRAWING AND SPECIFICATIONS, HEREIN, ARE THE PROPERTY OF DIGITAL EQUIPMENT CORPORATION AND SHALL NOT BE REPRODUCED OR COPIED OR USED IN WHOLE OR IN PART AS THE BASIS FOR THE MANUFACTURE OR SALE OF ITEMS WITHOUT THE WRITTEN PERMISSION OF DIGITAL EQUIPMENT CORPORATION © 1978 . DIGITAL EQUIPMENT CORPORATION

WIRE TABLE							
ITEM NO	DESCRIPTION	FROM	TO		REMARKS		
			CONN	WITH			
10	24	YEL	PT-2	---	SWI-5	---	
10	24	GRY	PT-1	---	SWI-2	---	
10	24	VIO	PT-3	---	SWI-3	---	
3	22	---	SW-6	SOLD	SWI-3	SOLD	BUS WIRE
10	24	GRN	PT-6	---	CI-3	---	
10	24	BRN	PT-8	---	CI-2	---	
10	24	BLU	PT-7	---	CI-1	---	
10	24	BLK	PT-5	---	MOTOR-	---	
10	24	RED	PT-4	---	MOTOR+	---	TWISTED PAIR

- ASSEMBLE ITEM#5,6,9 USING $5 \pm .5$ IN LBS TORQUE.
- CARTRIDGE WITHDRAWAL FORCE SHALL BE A MAXIMUM OF 4.0 LBS. AND WHEN AN EXCESS FORCE OF 1LB. IS APPLIED TO THE DRIVE ROLLER (OUTWARD) AND IS REMOVED, THE CARTRIDGE SHALL STILL BE AGAINST THE DRIVE REFERENCE STOP.
- HEAD SKEW TO BE WITHIN $6' \pm 0'6''$ AFTER FINAL ASSY.

- NOTES:
- MOTOR TO BE ROTATED TO PROVIDE EASIEST ACCESS TO TERMINALS PT4, PT5. MOTOR LEADS MAY BE BENT AS SHOWN IF NECESSARY TO CLEAR MOTOR MOUNT.
 - CODE WHEEL ITEM#7 MUST ROTATE FREELY WITHOUT RUBBING IN SLOT IN OPTICAL SENSOR ITEM#9. TIGHTEN ITEM#20 TO $3.5 \pm .5$ IN LBS. SET DRIVE ROLLER, ITEM#8, TO BE FLUSH WITH END OF MOTOR SHAFT ITEM#11. TIGHTEN ITEM#20 TO $3.5 \pm .5$ IN LBS.
 - TIGHTEN ITEMS 13, 25 TO $2.0 \pm .5$ IN LBS. TIGHTEN ITEMS 15, 17, 27 TO $3.5 \pm .5$ IN LBS. TIGHTEN ITEM 21 TO $5 \pm .5$ IN LBS.
 - WHEN CARTRIDGE IS INSERTED INTO DRIVE, THE FORCE ON THE DRIVE ROLLER (ITEM 8) IS TO BE $1LB \pm .1$.



CAUTION: OFF SHEET PARTS LIST K-PL-7015510-0-DBP

REV.	CHG.	NO.	DATE	BY	APP.	DESCRIPTION
1						
2						
3						
4						
5						
6						
7						
8						

THIRD ANGLE PROJECTION	DESCRIPTION	DWG./PART NO.	ITEM NO.
REMOVE BURRS AND BREAK SHARP CORNERS	UNLESS OTHERWISE SPECIFIED DIMENSIONS ARE IN INCHES		
DO NOT SCALE DWG	ANGLE		
MATERIAL SEE PARTS LIST	CLASS OF ACCURACY		
FINISH	SURFACE QUALITY		
	QUANTITY & VARIATION		
	MICROMETERS		
	PREferred		
	DRN		
	CHK'D		
	ENG.		
	PROL. ENG.		
	PROD.		
	FIRST USED ON	TU58-XA	digital
	TITLE	CARTRIDGE DRIVE	
	NEAT HIGHER ASSY.		
	MATERIAL	K-PL-TU58-XA-DBP	
	SCALE	1/1	
	SHEET	1 OF 1	
	DIST.		
	SIZE	D	
	CODE	AD	
	NUMBER	7015510-0-0	
	REV.	F	

D AD 7015510-0-0 F