

Honeywell

TYPE 716
GENERAL PURPOSE DIGITAL COMPUTER
INSTRUCTIONS AND LOGIC DIAGRAMS

Doc. No. 70130072629K Order No. FU55, Rev.10

January 1975

COPYRIGHT © 1973, 1974, 1975 HONEYWELL INFORMATION SYSTEMS INC.

The information contained herein is the exclusive property of Honeywell Information Systems Inc., except as otherwise indicated, and shall not be disclosed or reproduced, in whole or in part, without explicit written authorization from the company. The distribution of this material outside the company may occur only as authorized.

Printed in the United States of America
All rights reserved

REVISION HISTORY

| New Revision Level of Manual | Change No. | Effective Date | Number and New Revision Level of Affected Drawings | Pages Affected by Revision | New Revision Level of Manual | Change No. | Effective Date | Number and New Revision Level of Affected Drawings | Pages Affected by Revision |
|------------------------------|---------------------|----------------|--|--|------------------------------|------------|----------------|--|----------------------------|
| B | 20433 | Sept. 1972 | -- | iii | | | | 70030679-0001E | 3-3 |
| | | | 70030679-0002D | 3-4 | | | | | |
| | | | 70030679-0003D | 3-5 | | | | | |
| | | | 70030679-0004G | 3-6 | | | | | |
| | | | 70030679-0005D | 3-7 | | | | | |
| | | | 70030679-0006D | 3-8 | | | | | |
| | | | 70030679-0007D | 3-9 | | | | | |
| | | | 70030679-0008D | 3-10 | | | | | |
| | | | 70030679-0009D | 3-11 | | | | | |
| | | | 70030679-0010D | 3-12 | | | | | |
| | | | 70030679-0011D | 3-13 | | | | | |
| | | | 70030679-0012D | 3-14 | | | | | |
| | | | 70030679-0013D | 3-15 | | | | | |
| | | | 70030679-0014D | 3-16 | | | | | |
| | | | 70030679-0015D | 3-17 | | | | | |
| | | | 70030679-0016D | 3-18 | | | | | |
| | | | 70030679-0017D | 3-19 | | | | | |
| | | | 70030679-0018D | 3-20 | | | | | |
| | | | 70030679-0019D | 3-21 | | | | | |
| | | | 70030679-0020D | 3-22 | | | | | |
| | | | 70030679-0021D | 3-23 | | | | | |
| | | | 70030679-0022C | 3-24 | | | | | |
| | | | 70030679-0023E | 3-25 | | | | | |
| | | | 70030679-0024D | 3-26 | | | | | |
| | | | 70030679-0025C | 3-27 | | | | | |
| | | | 70030679-0026C | 3-28 | | | | | |
| | | | 70030679-0027G | 3-29 | | | | | |
| | | | 70030679-0028C | 3-30 | | | | | |
| | | | 70030679-0029C | 3-31 | | | | | |
| | | | 70030679-0030C | 3-32 | | | | | |
| | | | 70030679-0031C | 3-33 | | | | | |
| | | | 70030679-0032G | 3-34 | | | | | |
| | | | 70030679-0033D | 3-35 | | | | | |
| | | | 70030679-0034D | 3-36 | | | | | |
| | | | C | 20541 | | | | Feb. 1973 | 70030679-0035D |
| 70030679-0037C | 3-39 | | | | | | | | |
| 70030679-0038C | 3-40 | | | | | | | | |
| 70030679-0039C | 3-41 | | | | | | | | |
| 70032376A | 3-42, 3-43 | | | | | | | | |
| 70030679-0040C | 3-44 | | | | | | | | |
| 70030679-0041C | 3-45 | | | | | | | | |
| 70030679-0042G | 3-46 | | | | | | | | |
| 70030679-0043D | 3-47 | | | | | | | | |
| K70030679-319F | 4-1 thru 4-48 added | | | | | | | | |
| D | 31472 | Sept. 1973 | C70030679-0001G | 3-3 | | | | 0004G | 3-6 |
| | | | 0027G | 3-9 | | | | | |
| | | | 0032G | 3-34 | | | | | |
| | | | 0043G | 3-46 | | | | | |
| | | | C70030679-0001, 0003 thru 0043 deleted | | | | | | |
| E | 30912 | Feb. 1974 | C70032831-0001 thru 0043 | 3-1 thru 3-48 | | | | K70030679-319K | 4-1 thru 4-48 |
| | | | K70032831-319B | 5-1 thru 5-40 added | | | | | |
| | | | C70032376B | 3-43, 3-44 | | | | | |
| F | 31914 | Mar. 1974 | C70032831-0006C | 3-9 | | | | C70032831-0034C | 3-37 |
| | | | K70030679-319L | 4-2 thru 4-26 | | | | | |
| G | 40977 | Oct. 1974 | K70032831-319C | 5-2 thru 5-22 | | | | C70032831-0042 | 3-47 |
| | | | C70032831-0002 | 3-5 | | | | | |
| H | 41335 | Feb. 1975 | C70032376C | 4-2 thru 4-26 5-2 thru 5-23 3-43, 3-44 | | | | | |

REVISION HISTORY

| New Revision Level of Manual | Change No. | Effective Date | Number and New Revision Level of Affected Drawings | Pages Affected by Revision |
|------------------------------|------------|----------------|--|---|
| J | 41212 | September 1975 | 70032831-0025E 70032831-0032E 70032831-0034E 70032831-0036E 70032831-0038E K70032831-319E K70033241-319E | 3-28 3-35 3-37 3-39 3-41 5-2 through 5-23 6-1 through 6-8 (added) |
| K | 50964 | January 1976 | 70032831-0038F K70032831-319F | 3-41 5-2 through 5-23 |

| New Revision Level of Manual | Change No. | Effective Date | Number and New Revision Level of Affected Drawings | Pages Affected by Revision |
|------------------------------|------------|----------------|--|----------------------------|
| | | | | |

CONTENTS

| | <u>Page</u> |
|---|-------------|
| SECTION I INTRODUCTION | 1-1 |
| SECTION II FLOW CHARTS/INSTRUCTION ANALYSES | 2-1 |
| SECTION III LOGIC BLOCK DIAGRAMS | 3-1 |
| SECTION IV CONDENSED SIGNAL LIST K70030679-319 | 4-1 |
| SECTION V CONDENSED SIGNAL LIST K70032831-319 | 5-1 |
| SECTION VI CONDENSED SIGNAL LIST K70033241-319 | 6-1 |

SECTION I
INTRODUCTION

This manual contains flow charts and analyses of all Type 716 instructions and the logic block diagrams. Also included are flow charts showing the fetch cycle, the extended mode leading into an extended mode indirect cycle, and the normal and push/pop indirect cycles. For convenient reference, the mnemonic, the execution time, and op-code are given for each instruction. Symbols and abbreviations used in the flow charts are defined in Table 1-1. A function index is provided in Table 1-2 as an aid in determining function sources and definitions. Mainframe board locations are listed in Table 1-3.

The electrical characteristics of the computer circuits are called passive (+5 Vdc) and active (0 Vdc). The logical functions are true (logic ONE) and false (logic ZERO). In general, there are two ways of relating the electrical characteristic and the logical function for each signal mnemonic:

- a. An assertion signal (for example, TRRMFW+) is logically true when it is at +5 Vdc and is logically false when it is at 0 Vdc.
- b. A negation signal (for example, TRRMFW-) is logically true when it is at 0 Vdc and is logically false when it is at +5 Vdc.

A particular signal mnemonic can be labeled assertion or negation arbitrarily. The signal mnemonic convention uses the seventh character to specify assertion or negation.

Table 1-1.
Symbols and Definitions

| <u>Symbol</u> | <u>Definition</u> | <u>Symbol</u> | <u>Definition</u> |
|---------------|---|---------------|--|
| A | A-register | M | M-register |
| ADB | Address bus | N | Two's complement of number of shifts to be performed |
| AU | Arithmetic unit | OTB | Output bus |
| AUG | G-input to AU | OVFL | Overflow |
| AUH | H-input to AU | P | P-register |
| B | B-register | S | S-register |
| C | C-bit | SC | Shift count |
| EA | Effective operand address | X | X-register |
| F | Flag (indirect address indicator) | Y | Y-register |
| INB | Input bus | | |
| [EA] | Contents of a location specified by the effective address. | | |
| ⊕ | Exclusive OR | | |
| → | Contents transfer occurs now. | | |
| <u>E</u> → | Contents transfer enabled now; action occurs when subsequently triggered. | | |
| <u>S</u> → | Contents transfer shift enabled now; action occurs when subsequently triggered. | | |
| ~ | Function goes low to perform action. | | |
| + | Logical OR | | |
| • | Logical AND | | |

Any time register X is referenced, register S must also be referenced, i. e., S/X → AUG. Any register transfer that is less than 16 bits must be noted. When decisions are made, the exact mnemonic name plus an indication of the logic necessary to answer the question in the affirmative should be included inside the decision block, not outside. Use full mnemonics, including sign (+) and prefix (A, B, etc.) when applicable.

Table 1-2.
Function Index

| <u>Mnemonic</u> | <u>Definition</u> |
|-----------------|--|
| A+++CL | General control minterms (not for a specific operation or group of operations) |
| A+++EZ | |
| A+++G0 | |
| A+++G2 | |
| A+++GX | |
| A+++IS | |
| A+++M/ | |
| A+++PD | |
| A+++TD | |
| A+++XM | |
| A+++Y7 | Add/subtract minterms |
| A+++ZC | |
| AA/SX1 | |
| AA/SXC | |
| AA/SXZ | |
| AA/SZ0 | CAI minterms |
| AA/SZA | |
| ACAICC | |
| ACAILC | CAS minterms |
| ACASEZ | |
| ACASX0 | |
| ACASX1 | |
| ACASYC | Minterm for carry inject in TLX cycle |
| ACRYXC | |
| ACWCY0 | |
| ACWCY1 | Memory clear - write cycle, address = 0 |
| ACWCY2 | |
| ACWCY2 | |
| ADBLEI | Memory clear - write cycle, address = 1 |
| ADBLFI | |
| ADBLIS | |
| ADBLXD | |
| ADIV01 | Memory clear - write cycle, address = 2 |
| ADIV02 | |
| ADIV0L | |
| ADIV0/ | |
| ADIV0T | |
| ADIV1D | Minterms for double-precision operations |
| | DIV minterms |

Table 1-2. (Cont.)
Function Index

| <u>Mnemonic</u> | <u>Definition</u> |
|-----------------|--|
| ADIV77 | DIV minterms |
| ADIV7D | |
| ADIVEZ | |
| ADIVXC | |
| ADIVXD | |
| ADIVXL | |
| ADIVX/ | |
| ADIVXS | |
| ADIVXF | |
| ADIVXY | |
| ADIVY0 | |
| ADIVY6 | |
| ADIVYD | |
| ADIVY/ | |
| ADIVZO | |
| ADIVZD | |
| ADMA01 | |
| ADMA02 | Decoded memory address = 2, read cycle |
| ADRY03 | Decoded register Y = 3, read cycle |
| AEOINS | End of instructions control minterm |
| AEOIOP | End of instruction, not Jump |
| AGA07G | Generic group A minterms |
| AGA08G | |
| AGA10G | |
| AGA11G | |
| AGA12G | |
| AGA14G | |
| AGA15C | |
| AGA09I | |
| AGA113 | |
| AGA114 | |
| AGA119 | |
| AGA121 | |
| AGA146 | |
| AGA150 | |
| AGANFO | |
| AGANFC | |

Table 1-2. (Cont.)
Function Index

| <u>Mnemonic</u> | <u>Definition</u> |
|-----------------|--------------------------|
| AGB07G | Generic group B minterms |
| AGB08G | |
| AGB09G | |
| AGB10G | |
| AGB11G | |
| AGB14G | |
| AGB10/ | |
| AGB10T | |
| AGB115 | |
| AGB116 | |
| AGBNFG | Generic minterms |
| AGE101 | |
| AGE102 | |
| AGE108 | IMA minterms |
| AIMAEZ | |
| AIMAXC | IRS minterms |
| AIRSX1 | |
| AIRSXC | Programmed I/O minterms |
| AI/02D | |
| AI/OFC | |
| AI/OPI | |
| AJMPFI | JMP minterms |
| AJMPW1 | |
| AJMPWJ | |
| AJMPYC | |
| AJSTEZ | JST minterms |
| AJST1S | |
| AJSTXC | |
| ALGAXZ | Logic group minterm |
| ALSXEZ | LDX/STX minterm |
| AMAUXZ | OPG MAU minterm |
| AMPYA6 | MPY minterms |
| AMPYMM | |
| AMPU5 | |
| AMPU6 | |
| AMPU8 | |
| AMPYX6 | |

Table 1-2. (Cont.)
Function Index

| <u>Mnemonic</u> | <u>Definition</u> |
|-----------------|---|
| AMPYY4 | MPY minterms |
| AMPYY5 | |
| AMPYYE | |
| AMPYYL | |
| AMPYYM | |
| AMPYYN | |
| AMPYZL | |
| AMPYZM | |
| AMPYZN | |
| AM/DEZ | |
| AM/DXL | |
| AM/DXM | |
| AM/DXT | |
| AM/DYC | |
| AM/RF1 | Indexing control for extended mode |
| AM/RFI | Fetch or indirect cycle of memory reference instruction |
| AM/RFL | Indexing control for nonextend mode |
| AM/RFU | Memory reference operation minterms |
| AM/RIP | |
| ANEGXZ | |
| ARTCIX | Real-time clock minterm |
| ASHA/7 | Shift minterms |
| ASHB10 | |
| ASHB12 | |
| ASHB18 | |
| ASHB20 | |
| ASHB67 | |
| ASHB68 | |
| ASHF7S | |
| ASHF7U | |
| ASHF8C | |
| ASHKB7 | |
| ASHLCT | |
| ASHLCZ | |
| ASHLYC | |
| ASHU10 | |
| ASHU17 | |

Table 1-2. (Cont.)
Function Index

| <u>Mnemonic</u> | <u>Definition</u> | |
|--------------------|---|---------------------|
| ASHU18 | Shift Minterms | |
| ASHU19 | | |
| ASHU60 | | |
| ASHU62 | | |
| ASHU67 | | |
| ASHU68 | | |
| ASKPFC | | Skip-group minterms |
| ASKPFE | | |
| ASTAEX | STA minterms | |
| ASTAEZ | | |
| ASUBFI | SUB minterm | |
| ATAZZC | OPGTAZ minterm | |
| AU01GG thru AU16GG | locations Augend inputs to arithmetic unit | |
| AU00HH thru AU16HH | locations Addend inputs to arithmetic unit | |
| AU00SM thru AU16SM | locations Sum output from arithmetic unit | |
| AU0104 | Arithmetic unit bits 1 through 4 | |
| AU01BH thru AU16BH | locations I/O bus or control panel inputs to AU**HH | |
| AU01CY | Carry from arithmetic unit, bit 01 | |
| AU01XS thru AU16XS | locations Register X or S input to AU**GG | |
| AU0508 | Arithmetic unit bits 5 through 8 | |
| AU0912 | Arithmetic unit bits 9 through 12 | |
| AU1316 | Arithmetic unit bits 13 through 16 | |
| AUFFFF | Sum output of arithmetic unit is all ONEs | |
| AULACY | Look-ahead carry function of arithmetic unit | |
| AWRTEZ | OPGWRT minterms | |
| AWRTXC | | |
| AYMAXC | OPGYMA minterm | |
| BADR01 thru BADR16 | I/O address bus, bits 01-16 | |
| BBYTXR | I/O bus, byte transfer | |
| BCLINT | I/O bus clear - interrupt pulse | |
| BCLPRN | I/O bus clear - priority-net pulse | |
| BD01IN thru BD16IN | I/O bus data input receivers | |

Table 1-2. (Cont.)
Function Index

| <u>Mnemonic</u> | <u>Definition</u> |
|--------------------|---|
| BD01OT thru BD16OT | I/O bus data output drivers |
| BDAT01 thru BDAT16 | I/O data bus, bits 01-16 |
| BDMARQ | I/O bus, DMA request |
| BDRLIN | I/O bus device ready line |
| BINPUT | I/O bus, input control |
| BINTP0 thru BINTP4 | I/O bus, interrupt priority chain |
| BINTRQ | I/O bus interrupt request |
| BPARER | I/O bus parity error |
| BPARLF | I/O bus parity for bits 01-08 |
| BPARRT | I/O bus parity for bits 09-16 |
| BPRGIO | I/O bus "programmed I/O" control level |
| BPWRFL | I/O bus power failure |
| BRITNX | I/O bus, right half word |
| BRQENB | I/O bus request enable |
| BSROPT | |
| BSTART | I/O bus, watchdog timer signal |
| BSTROB | I/O bus strobe pulse |
| COEAMD | Copy zero to extended addressing mode flip-flop |
| CMDRFW | Copy memory data to register F |
| CMDRMW | Copy memory data to register M |
| CRMRSW | Copy register M to register S |
| DABMQ1 | Decoder: RA01 ⊕ RB01 ⊕ RM01 ⊕ 1 |
| DAU000 | Decoder: Arithmetic unit output = 0 |
| DAU01E | Decoder: Arithmetic unit output bits 1-4 = 0 |
| DAU05E | Decoder: Arithmetic unit output bits 5-8 = 0 |
| DAU09E | Decoder: Arithmetic unit output bits 9-12 = 0 |
| DAU13E | Decoder: Arithmetic unit output bits 13-16 = 0 |
| DF13/C | Decoder: RF13 or C-bit = 1 |
| DMA001 | Decoded memory address = 1 = (RA) |
| DMA002 | Decoded memory address = 2 = (RB) |
| DMAFIL | Decoded memory address = fill protected area (1-17) |
| DMAREG | Decoded memory address = register address |
| DMIER0 | Decoder: multiplier bits = 0 |

Table 1-2. (Cont.)
Function Index

| <u>Mnemonic</u> | <u>Definition</u> |
|-----------------|---|
| DRF716 | Decoder: RF07 or RF16 |
| DRFINA | |
| DRFOCP | Decoded register F = OCP |
| DRFZR0 | Decoded register F = 00, bits 11-16 (shift distance) |
| DRM020 | Decoded register M = 020, bits 8-16 (RTC address) |
| DRM4/5 | Memory address in register M = 4 or 5, and not indexed. |
| DRMIND | Decoder: register M = indirect cycle needed |
| DRMS00 | Decoder: register M = sector zero (bits 01-07) |
| DRY000 | Decoder: register Y = 0 = (RX) |
| DRY003 | Decoder: register Y = 3 = (RS) |
| DRYREG | Decoder: register Y = register address (< 4) |
| DSCT00 | Decoded shift count = 00 and not TLFCYC nor TLICYC |
| DSCT77 | Decoded shift count = 77 and not TLFCYC nor TLICYC |
| DVF/ZC | Divide control signal |
| E0RB01 | Emit ZERO to bit 01 of register B |
| E0RBFW | Emit ZEROs to register B, full word |
| E1MCWC | Emit ONE to memory clear-write control flip-flop |
| E1MLDV | Emit ONE to MLDV control flip-flop |
| E1RDYF | Emit ONE to I/O ready flip-flop |
| E1RK11 | Emit ONE to bit 11 of shift counter |
| E1RKCB | Emit ONE to C-bit flip-flop in register K |
| E1RM01 | Emit ONE to bit 01 of register M |
| E1TLIC | Emit ONE to I-cycle timing level flip-flop |
| E1TLII | |
| E1TLIP | Emit ONE to special push-pop timing level flip-flop |
| E1TLXC | Emit ONE to X-cycle timing-level flip-flop |
| E1TLYC | Emit ONE to Y-cycle timing-level flip-flop |
| E1TLZC | Emit ONE to Z-cycle timing-level flip-flop |
| E40SCT | Emit '40 to shift counter |
| E60SCT | Emit '60 to shift counter |
| E71SCT | Emit '71 to shift counter |
| EA1KCP | Emit bit 01 of register A to the C-bit flip-flop |

Table 1-2. (Cont.)
Function Index

| <u>Mnemonic</u> | <u>Definition</u> |
|-----------------|--|
| EAUMAW | Emit arithmetic unit to memory address, full word |
| EAURAW | Emit arithmetic unit to register A, full word |
| EAURPW | Emit arithmetic unit to register P, full word |
| EBAMAW | Emit I/O address bus to memory address bus, full word |
| EBDAUW | Emit I/O bus data to arithmetic unit, full word |
| EDCMAW | Emit DMC address bus to memory address bus, full word |
| EINRBW | Enable inputs to register B (parallel load) full word |
| EJXMAW | Enable RJ or RX to memory address, full word |
| EMDROW | Emit memory data to register O, full word |
| EMFMAW | Enable main frame to memory-address bus |
| ENRA01 | Enable RA01FF to be triggered |
| ENRAFW | Enable register A to be triggered |
| ENRBFW | Enable register B to be triggered |
| ENRPFW | Enable register P to be triggered |
| EOTBDW | Emit output data to I/O data bus |
| EPAROT | Emit bus parity to I/O bus |
| ERAAUW | Emit register A to arithmetic unit, full word |
| ERABDW | Emit register A to I/O bus, full word |
| ERBAUW | Emit register B to arithmetic unit, full word |
| ERBSHL | Enable register B to shift left or parallel load |
| ERBSHR | Enable register B to shift right or parallel load |
| ERIMBH | Emit register I to memory data bus, bits 01-08 |
| ERIMBL | Emit register I to memory data bus, bits 09-16 |
| ERJAUH | Emit register J to arithmetic unit, bits 02-07 |
| ERJMAH | Emit register J to memory address, bits 02-07 |
| ERJ/M1 | ERJMAH or RM01FF |
| ERMAUL | Emit register M to arithmetic unit, bits 08-16 |
| ERMAUW | Emit register M to arithmetic unit, full word |
| ERMBAD | Emit register M to I/O bus address |
| ERMMAH | Emit register M to memory address, bits 02-07 |
| ERMAL | Emit register M to memory address, bits 08-16 |
| ERMMDW | Emit register M to memory data bus, full word |
| ERMRMW | Emit register M to register M, full word (recirculate) |

Table 1-2. (Cont.)
Function Index

| <u>Mnemonic</u> | <u>Definition</u> |
|--------------------|--|
| ERM SCT | Emit register M to shift counter |
| EROBDW | Emit register O to I/O data bus, full word |
| EROBHL | Emit register O, bits 09-16, to I/O data bus, bits 01-08 |
| ERPMAW | Emit register P to memory address, full word |
| ERRMAL | Emit refresh register to memory address bits 10-14 (MOS memory only) |
| ERXAUW | Emit register X to arithmetic unit, full word |
| ERYAUH | Emit register Y to arithmetic unit, bits 02-07 |
| ERYAUL | Emit register Y to arithmetic unit, bits 08-16 |
| ERYMAH | Emit register Y to memory address, bits 02-07 |
| ERYMAW | Emit register Y to memory address, full word |
| ESRAAU | Emit register A shifted right to arithmetic unit |
| FADHLT | Address halt flip-flop |
| FFMLDV | Multiply/divide flip-flop |
| FFPRMI | Permit-interrupt flip-flop |
| FFSTRT | Start button flip-flop |
| FMELOV | Memory lockout violation flip-flop |
| FRSTMD | Restricted mode flip-flop |
| HAU/MA | Console control (op-code suppress) |
| HDSP01 thru HDSP16 | Control panel display selectors |
| HDSRUN | Run light control |
| HEMFCY | Enable control panel to register F when register M is selected in control panel mode |
| HENHAU | Enable control panel to arithmetic unit |
| HENTRA | Enable control panel to register A |
| HENTRB | Enable control panel to register B |
| HENTRM | Enable control panel to register M |
| HENTRP | Enable control panel to registers P/Y |
| HMAFCH | Memory access mode, fetch |
| HMASTO | Memory access mode, store |
| HOLDRP | Inhibit increment of register P |
| HPULSE | Control panel clock |
| HRDARS | Control panel "ready" or auto-restart |
| HSENS1 | Control panel sense switch 1 |
| HSENS2 | Control panel sense switch 2 |
| HSENS3 | Control panel sense switch 3 |

Table 1-2. (Cont.)
Function Index

| <u>Mnemonic</u> | <u>Definition</u> |
|--------------------|--|
| HSENS4 | Control panel sense switch 4 |
| IABREK | DMA break flip-flop |
| IADATA | DMA data cycle |
| IADCRQ | DMC request |
| IADD10 | Interrupt address bit 10 |
| IADD11 | Interrupt address bit 11 |
| IADD12 | Interrupt address bit 12 |
| IADD13 | Interrupt address bit 13 |
| IADD14 | Interrupt address bit 14 |
| IADD15 | Interrupt address bit 15 |
| IADD16 | Interrupt address bit 16 |
| IADMRQ | DMA request |
| IARDY | DMA data ready |
| IAENRO | Enable register O to I/O bus |
| IAIDMA | DMA request after interrupt acknowledged |
| IAINPT | DMA input control |
| IAPARH | DMA parity bits 01-08 |
| IAPARL | DMA parity bits 09-16 |
| IAPERH | DMA parity error bits 01-08 |
| IAPERL | DMA parity error bits 09-16 |
| IAREBA | |
| IAREEB | DMA reset-break controls |
| IAREBK | |
| IARECI | DMA reset-cycle-initiate flip-flop |
| IARQEN | DMA request enable control |
| IA/IBK | DMA or interrupt break |
| IASEBK | DMA set-break control |
| IASH01 thru IASH10 | DMA/DMC/interrupt timing one-shots |
| IASHPF | Auto-restart one-shot circuit |
| IASSTR | DMA set strobe control |
| IASTCI | DMA set cycle-initiate flip-flop |
| IASTRQ | |
| IATRBK | DMA trigger break flip-flop |
| IATRCI | DMA trigger cycle-initiate flip-flop |
| IATRST | DMA trigger strobe flip-flop |
| IAWRBH | DMA write high-byte |
| IAWRBL | DMA write low-byte |

Table 1-2. (Cont.)
Function Index

| <u>Mnemonic</u> | <u>Definition</u> |
|-----------------|---|
| IAWRIH | DMA write inhibit |
| IAWRWD | DMA write full word |
| ICDMC4 | DMC cycle 4 |
| ICDMRQ | DMC request |
| ICLDMA | |
| ICLJST | Clear IFJSTS flip-flop |
| ICSTCA | |
| ICTRDR | Trigger DMC request flip-flop |
| IE1RM1 | Emit ONE to RM01FF for interrupt address |
| IFBREK | DMA/DMC break flip-flop |
| IFBYTR | DMA byte transfer flip-flop |
| IFDARQ | DMA request flip-flop |
| IFDCCY | DMC cycle flip-flop |
| IFDCRQ | Acknowledge DMC request |
| IFDMAC | DMA or DMC memory cycle |
| IFIPFI | PFI/WDT flip-flop |
| IFIRTC | Real-time clock flip-flop |
| IFITBK | Interrupt-break flip-flop |
| IFITCY | Interrupt cycle flip-flop |
| IFITRQ | Interrupt request flip-flop |
| IFJSTS | JST-storage flip-flop (delay controlled interrupts) |
| IFMECI | DMA, DMC, memory cycle initiate flip-flop |
| IFPILO | "PIL00" interrupt flip-flop |
| IFRSTR | Auto-restart control flip-flop |
| IFRTNX | DMA right halfword flip-flop |
| IFSTRB | DMA strobe flip-flop |
| IFTRAC | Trace interrupt flip-flop |
| IFTREN | Trace interrupt enable flip-flop |
| IFTRMD | Trace interrupt mode flip-flop |
| IFWRIT | DMA write flip-flop |
| IINTRQ | Interrupt request |
| IINTRQ | Interrupt request |
| IHOIRS | Real-time-clock increment control |
| IIPMIT | Interrupt permitted |
| IIREPI | Reset permit-interrupt |
| IISTIB | Set interrupt-break |
| IISTOV | Stack-overflow interrupt control |

Table 1-2. (Cont.)
Function Index

| <u>Mnemonic</u> | <u>Definition</u> |
|-----------------|---|
| IITCCY | Interrupt cycle |
| IITODC | Inhibit request enable during DMC |
| IITPBK | Reset strobe for interrupts |
| IITRFI | Trigger interrupt cycle flip-flop |
| INARDY | Operation = INA and ready flip-flop is set |
| IOAU02 | Interrupt address adder, bits 10-12 |
| IOAU36 | Interrupt address adder, bits 13-16 |
| IOAUCT | Interrupt address adder, carry control |
| IOLSUB | Interrupt address adder, subtract mode |
| IORDYF | PIO ready flip-flop |
| IOSTOP | Stop to CP clock during PIO execution |
| IOTDEN | PIO timing chain enable |
| IOTIM1 | PIO timing one-shot circuit 1 |
| IOTIM2 | PIO timing one-shot circuit 2 |
| IOTIMC | PIO timing one-shot circuit C |
| IOTIMD | PIO timing one-shot circuit D |
| IOTIML | PIO timing one-shot circuit L |
| IOTIMS | PIO timing one-shot circuit S |
| IPFICY | I-cycle with PFI/WDT pending |
| IPFWDT | PFI/WDT control |
| IPIL00 | Compatible interrupts (address = '63) |
| IPWRFL | Power-failure signal |
| ITRACE | |
| IWCDEL | DMA write-cycle delay |
| JMPDEL | Delay JMP (force TLY cycle) |
| LAUC00 | Arithmetic-unit function control 0 |
| LAUC01 | Arithmetic-unit function control 1 |
| LAUC02 | Arithmetic-unit function control 2 |
| LAUC03 | Arithmetic-unit function control 3 |
| LAUCRY | Arithmetic-unit carry inject |
| LAULGC | Arithmetic-unit logic-mode control |
| LDSCTR | Load shift counter |
| LRAIN1 | Register A, input-selector control, weight 1 |
| LRAIN2 | Register A, input-selector control, weight 2 |
| LRAIN4 | Register A, input-selector control, weight 4 |
| LRAIN11 | Enable input-selector to register A, bits 01-08 |
| LRAINL | Enable input-selector to register A, bits 09-16 |

Table 1-2. (Cont.)
Function Index

| <u>Mnemonic</u> | <u>Definition</u> |
|-----------------------|---|
| LRATE1 | Trigger enable level for register A, bit 01 |
| LRATEH | Trigger enable level for register A, bits 02-08 |
| LRATEL | Trigger enable level for register A, bits 09-16 |
| LRBSHL | Level control for register B to shift left |
| LRBSHR | Level control for register B to shift right |
| LRMIN1 | Register M, input selector control, weight 1 |
| LRMIN2 | Register M, input selector control, weight 2 |
| LRMIN4 | Register M, input selector control, weight 4 |
| LRSCNT | Register S, count enable |
| LRSUPW | Register S, up count control |
| LYRCNT | Register Y, count enable |
| MADD01 thru MADD16 | Memory address, bits 01 through 16 |
| MAFILF | Fill protected memory address |
| MCCLCL | Clear memory control flip-flops |
| MCCLST | Set memory control flip-flops |
| MCDFLT | Default signal, non-existent memory |
| MCEREQ | External memory request |
| MCERMT | Request M to memory data bus timing |
| MCILAT | Memory cycle initiate late |
| MCINLF | Memory control input, left half |
| MCINOT | Next cycle is non memory |
| MCINRM | Memory cycle initiate, normal |
| MCINRT | Memory control input, right half |
| MCIREQ | Internal memory request |
| MCIRLY | Memory cycle initiate early |
| MCMBSY | Memory busy |
| MCPROV | Protected sector violation |
| MCRCLE | |
| MCRFIL | |
| MCRTAP | |
| MCRWTD | |
| MCR060 | |
| MCR100 | |
| MCR200 | |
| MCRD01 | |
| MCRD02 | |

Memory control: read delay taps

Table 1-2. (Cont.)
Function Index

| <u>Mnemonic</u> | <u>Definition</u> |
|--------------------|--|
| MCRDHC | Memory read half cycle |
| MCTRLF | Memory control flip-flop, left half word |
| MCTRRT | Memory control flip-flop, right half word |
| MCW280 | Memory write cycle, time 280 |
| MCWCYC | Memory clear-write cycle |
| MCWD01 | Memory control: write delay taps |
| MCWD02 | |
| MCWELE | |
| MCWTAP | |
| MCWEND | |
| MCWREQ | |
| MCWTHC | Memory write half cycle |
| MD01BS thru MD16BS | Memory data bus, bits 01-16 |
| MD01RI thru MD16RI | Memory data from register I, bits 01-16 |
| MD1RM thru MD16RM | Memory data from register M, bits 01-16 |
| MDTRDY | Memory data ready |
| MEMCIN | Mainframe memory cycle initiate |
| MENABL | Memory module enable |
| MHDSHK | Memory handshake |
| MLATCH | Memory address latch |
| MLOOPT | Memory lockout option control |
| MLOVIN | Memory lockout violation |
| MRRCYC | Memory read-regenerate cycle |
| MWRINH | Memory write inhibit |
| OPDCOD | |
| OPGA/S | Op-group: add or subtract |
| OPGCRY | Op-group: inject carry = (CAS, IRS, JST) |
| OPGDBL | Op-group: double-precision = (ADD, LDA, STA, SUB) |
| OPGEN | Op-group: generics |
| OPGGNA | Op-group: generic A = (OPGEN+) (RF01FF+) (RF02FF+) |
| OPGGNB | Op-group: generic B = (OPGEN+) (RF01FF-) (RF02FF-) |
| OPGI/O | Op-group: input/output |
| OPGJ/J | Op-group: JMP and JST |

Table 1-2. (Cont.)
Function Index

| <u>Mnemonic</u> | <u>Definition</u> |
|-----------------|--|
| OPGLGA | Op-group: logical = (ANA, ERA) |
| OPGMAU | Op-group: RM to AU = (ADD, ANA, CAS, ERA, IMA, IRS, LDA, SUB) |
| OPGM/D | Op-group: multiply/divide = (MPY, DIV) |
| OPGNEG | Op-group: negative = (CAS, ERA, SUB) |
| OPGSHF | Op-group: shifts = (OPGEN+) (RF01FF-) (RF02FF+) |
| OPGSKP | Op-group: skips = (OPGEN+) (RF01FF+) (RF02FF-) |
| OPGTAZ | Op-group: TRRAFW in TLZ = (ADD, ANA, ERA, LDA, SUB) |
| OPGWRT | Op-group: memory write = (IMA, IRS, JST, LSX) |
| OPGXCY | Op-group: X-cycle = (IRS, IMA, CAS, JST, MPY, DIV, LDX, and DPs) |
| OPGXMK | Op-group: masks = 20 or 24 in RF bits 11-16 RF01FF = 1 |
| OPGYMA | Op-group: RY to MA in TLX = (ADD, IMA, IRS, JST, LDA, STA, SUB) |
| OPNCAI | Operation = CAI = '170024 and IOTIM1 |
| OPNCAS | Operation = CAS |
| OPNDIV | Operation = DIV |
| OPNDPA | Operation = Double precision arithmetic |
| OPNERM | Operation = ERM |
| OPNIMA | Operation = IMA |
| OPNIRS | Operation = IRS |
| OPNJMP | Operation = JMP |
| OPNJST | Operation = JST |
| OPNLDX | Operation = LDX |
| OPNLSX | Operation = LDX or STX |
| OPNMPY | Operation = MPY |
| OPNOTK | Operation = OTK |
| OPNRMP | Operation = RMP |
| OPNSTA | Operation = STA |
| OPNSUB | Operation = SUB |
| QA0/M1 | True only if RA00FF = RM01FF |
| QA1/A2 | True only if RA01FF = RA02FF |
| QA1SM1 | True only if RA01FF = AU01SM |
| QABM01 | True only if the set (A01, B01, M01) has even parity |
| QB1415 | True only if RB14FF = RB15FF |

Table 1-2. (Cont.)
Function Index

| <u>Mnemonic</u> | <u>Definition</u> |
|-----------------------|---|
| QB1516 | True only if RB15FF = RB16FF |
| QB1SUB | |
| QH0104 | Address halt comparator, bits 01-04 |
| QH0116 | True if memory address = register H, bits 01-16 |
| QH0508 | Address halt comparator, bits 05-08 |
| QH0912 | Address halt comparator, bits 09-12 |
| QH1316 | Address halt comparator, bits 13-16 |
| QHSYNC | Scope sync test point in address halt logic |
| QHTEST | Address halt test input |
| QHTINV | Address halt test input inverter |
| QJMA1C | True only if memory address = (RJ), bits 01-04 |
| QJMA5C | True only if memory address = (RJ), bits 05-08 |
| QM1SM1 | True only if RM01FF = AU01SM |
| QMA090 | True only if memory address, bits 09-12 = zero |
| QMA1/8 | True only if memory address, bits 01-08 = zero |
| QMALH0 | True only if memory address = 00000 |
| QMALH1 | True only if memory address = 00001 |
| QMALH2 | True only if memory address = 00002 |
| QSM0/1 | True only if AU00SM = AU01SM |
| RA00FF | Register A extension flip-flop, bit 00 |
| RA01FF thru RA16FF | Register A flip-flops, bits 1 through 16 |
| RA00IN thru RA16IN | Register A input selector, bits 0-16 |
| RB01FF thru RB16FF | Register B flip-flops, bits 1 through 16 |
| RB01IN thru RB16IN | Register B input selector, bits 01-16 |
| RF01FF thru RF16FF | Register F flip-flops, bits 1 through 16 |
| RF01IN thru RF16IN | Register F clocked input, bits 01-16 |
| RF01ST thru RF16ST | Register F dc set input, bits 01-16 |
| RH01FF thru RH16FF | Register H flip-flops, bits 01-16 |
| RI01FF thru RI16FF | Register I flip-flops, bits 01-16 |
| RJ02FF thru RJ07FF | Register J flip-flops, bits 02-07 |

Table 1-2. (Cont.)
Function Index

| <u>Mnemonic</u> | <u>Definition</u> |
|-----------------------|---|
| RK1112 | |
| RK11IN thru RK16IN | Register K input logic, bits 11-16 (shift counter) |
| RK11SC thru RK16SC | Shift counter |
| RKCBIT | Register K C-bit flip-flop |
| RKDPMD | Register K double precision mode flip-flop |
| RKEAMD | Register K extended addressing mode flip-flop |
| RKEANX | Register K extended addressing next mode |
| RKEAPR | Register K extended addressing previous mode |
| RKPFII | Register K, eight levels of indirect in restricted mode |
| RKSOVE | Register K, stack overflow interrupt enable |
| RKSTOV | Register K, stack overflow/underflow |
| RKXSMD | Register K, index from S mode flip-flop |
| RM01FF thru RM16FF | Register M flip-flops, bits 1 through 16 |
| RM01IN thru RM16IN | Register M input selector, bits 01-16 |
| RM01ST thru RM16ST | Register M dc set input, bits 01-16 |
| RO01FF thru RO16FF | Register O flip-flops, bits 01-16 |
| RO01ST thru RO16ST | Register O dc set input, bits 01-16 |
| RP02FF thru RP16FF | Register P flip-flops, bits 02-16 |
| RR10FF thru RR14FF | Memory refresh register flip-flops, bits 10-14 |
| RS01FF thru RS16FF | Register S flip-flops, bits 01-16 |
| RS05CY | Register S carry/borrow |
| RS09CY | Register S carry/borrow |
| RS13CY | Register S carry/borrow |
| RSCLOV | Clear stack overflow/underflow flip-flops |
| RSOVEL | Stack overflow |
| RSUNFL | Stack underflow |
| RTC020 | Real-time clock address detector |

Table 1-2. (Cont.)
Function Index

| <u>Mnemonic</u> | <u>Definition</u> |
|---|---|
| RTC136 | Real-time clock address detector, bits 13-16 |
| RTC1CY | Real-time clock IRS carry |
| RTC2N9 | Real-time clock address, bit 2, not bit 9 |
| RTC711 | Real-time clock address, bits 7-11 |
| RTCAK | Real-time clock acknowledge |
| RTCCLK | Real-time clock timing pulse |
| RTGENB | Real-time clock enable |
| RTCICL | Real-time clock interrupt clear |
| RTCINT | Real-time clock interrupt |
| RTCIRS | Real-time clock IRS operation |
| RTCLOK | Real-time clock pulse |
| RTCMSK | Real-time clock mask |
| RTCOCP | Real-time clock decoded OCP |
| RTCRDY | Real-time clock device ready signal |
| RTC/HP | Real-time clock break or HOLDRP |
| RTC/ML | Real-time clock break or MLO interrupt |
| RTCSKS | Real-time clock decoded SKS |
| RTCSMK | Real-time clock decoded SMK |
| RX01FF thru RX16FF | Register X flip-flops, bits 01-16 |
| RY02FF thru RY16FF | Register Y flip-flops, bits 02-16 |
| SDRB01 | Data shifted double-right into register B, bit 01 by EAUDRA |
| SDRB02 | Data shifted double-right into register B, bit 02 by EAUDRA |
| SKPCON+2 SKPCON+3 SKPCON+4 SKPCON+5 SKPCON+6 SKPCON+ | Skip conditions |
| SLRA16 | Data shifted left into register A, bit 16 by EAUSLA |
| SRRA01 | Data shifted right into register A, bit 01 by EAUSRA |
| SRRB01 | Data shifted right into register B, bit 01 by LRBSHR |
| SRRB02 | Data shifted right into register B, bit 02 by LRBSHR |

Table 1-2. (Cont.)
Function Index

| <u>Mnemonic</u> | <u>Definition</u> |
|-----------------|--|
| TCINOT | Timing control: no cycle-initiate for next mainframe cycle |
| TCLMCI | Timing control: clear memory cycle initiate |
| TDATAP | Mainframe clock delay line signals |
| TDETAP | |
| TDLACK | |
| TDLEND-0 | |
| TDLEND-1 | |
| TDLSTT-0 | |
| TDLSTT-1 | |
| TDSRLY | |
| TDSTAP | |
| TDSTOP | |
| TLFCYC | F-cycle timing level = (TLICYC-) (TLXCYC-) (TLYCYC-) (TLZCYC-) |
| TLF/IC | F-cycle or I-cycle timing level |
| TLICTR | Counter of TLI cycles (for MLO control) |
| TLICYC | I-cycle timing level |
| TLIPSP | Special indirect timing level for push/pop |
| TLXCYC | X-cycle timing level |
| TLXYZC | X-cycle or Y-cycle or Z-cycle timing level |
| TLYCYC | Y-cycle timing level |
| TLY/ZC | Y-cycle or Z-cycle timing level |
| TLZCYC | Z-cycle timing level |
| TPDLYD | Time-pulse-delayed one-shot circuit |
| TPHALT | Time-pulse halt control |
| TPLSGO | Time-pulse go (enable) control |
| TPSTOP | Stop clock (block cycle-initiate and nonmemory) T-pulse |
| TPSTRT | Start clock |
| TPULSE77 | Time pulse +70 ns (one-shot circuit) |
| TPULSE | Time pulse |
| TRMLAT | Trigger memory cycle initiate late |
| TRMLDV | Trigger MLDV flip-flop |
| TRMNRM | Trigger memory cycle initiate normal |

Table 1-2. (Cont.)
Function Index

| <u>Mnemonic</u> | <u>Definition</u> |
|-----------------|---|
| TRMRL1 | Trigger memory cycle initiate early |
| TRMRL2 | Trigger memory cycle initiate early |
| TRRAFW | Trigger register A, full word |
| TRRBFW | Trigger register B, full word |
| TRRFCL | Clear pulse for TRRFFW |
| TRRFFW | Trigger register F, full word |
| TRRIFW | Trigger register I, full word |
| TRRJFW | Trigger register J |
| TRRKCB | Trigger C-bit flip-flop in register K |
| TRRKEA | Trigger extended mode flip-flop in register K |
| TRRKXS | Trigger index-from-S mode flip-flop in register K |
| TRRMFW | Trigger register M, full word |
| TRROFW | Trigger register O, full word |
| TRRPFW | Trigger register P, full word |
| TRRYFWDD | Trigger register Y, (delayed), full word |
| TRSCTR | Trigger shift counter, bits 11-16 |
| TSRINH | Cycle Initiate timing control |
| TSTART | Driver for first TPULSE delay line |
| TSTAST | Cycle Initiate timing control |
| TTCLMC | Control for clearing Cycle Initiate |

Table 1-3
Type 716 Mainframe Board Locations

| <u>Board Designation</u> | <u>Slot Location</u> | <u>Assembly Drawing</u> |
|--------------------------|----------------------|-------------------------|
| 0AA01B | 08A | 70050173-701 |
| 0AA02B | 09A | 70050176-701 |
| 0AA03B | 10A | 70050179-701 |
| 0AA04B | 11A | 70050182-701 |
| 0AA05C | 06A | 70050185-701 |
| 0AA06C | 01A | 70050188-701 |
| 0AA07B | 02A | 70050191-701 |
| 0AA08C | 03A | 70050194-701 |
| 0AA09C | 04A | 70050197-701 |
| 0AA10D | 05A | 70050200-701 |
| 0AA11B | 07A | 70050203-701 |

SECTION II
FLOW CHARTS/INSTRUCTION ANALYSES

The flow charts and the instruction analyses are detailed presentations of some key signals generated within the central processor unit from the time an operation code is recognized until the execution of the operation is completed and the next instruction's fetch cycle is initiated. The timing diagram for the CPU and the flow charts for the fetch cycle, the indirect cycle, and the push/pop cycle are presented first, before those of other operations. Included in the analyses of all other operations are the LBD number for the signal source and the operational description of the signal. The instructions are presented as follows:

| <u>Mnemonic</u> | <u>Instruction</u> | <u>Page</u> |
|-----------------|----------------------------------|-------------|
| ACA | Add C-Bit to A | 2-9 |
| ADD | Add | 2-10 |
| ALR | Logical Left Rotate | 2-11 |
| ALS | Arithmetic Left Shift | 2-11 |
| ANA | Logical AND | 2-12 |
| AOA | Add One to A | 2-9 |
| ARR | Logical Right Rotate | 2-13 |
| ARS | Arithmetic Right Shift | 2-13 |
| CAI | Clear Active Interrupt | 2-14 |
| CAL | Clear Accumulator Left Half | 2-15 |
| CAR | Clear Accumulator Right Half | 2-15 |
| CAS | Compare Accumulator with Storage | 2-16 |
| CHS | Change Sign | 2-17 |
| CMA | Complement A | 2-18 |
| CRA | Clear A | 2-15 |
| CSA | Copy Sign and Set Sign Plus | 2-19 |
| DXA | Disable Extended Addressing | 2-20 |
| ENB | Enable Program Interrupt | 2-21 |
| ERA | Exclusive OR to A | 2-22 |
| EXA | Enable Extended Addressing | 2-20 |
| HLT | Halt | 2-23 |

| <u>Mnemonic</u> | <u>Instruction</u> | <u>Page</u> |
|-----------------|---------------------------------------|-------------|
| IAB | Interchange A and B | 2-24 |
| ICA | Interchange Characters (Bytes) in A | 2-15 |
| ICL | Interchange and Clear Left Half of A | 2-15 |
| ICR | Interchange and Clear Right Half of A | 2-15 |
| IMA | Interchange Memory and A | 2-25 |
| IMK | Input Mask | 2-26 |
| INA | Input to A | 2-26 |
| INH | Inhibit Program Interrupt | 2-28 |
| INK | Input Keys | 2-29 |
| IRS | Increment, Replace, and Skip | 2-30 |
| JMP | Unconditional Jump | 2-32 |
| JST | Jump and Store | 2-34 |
| LDA | Load A | 2-35 |
| LDX | Load X | 2-36 |
| LGL | Logical Left Shift | 2-11 |
| LGR | Logical Right Shift | 2-13 |
| LLL | Long Left Logical Shift | 2-11 |
| LLR | Long Left Rotate | 2-11 |
| LLS | Long Left Arithmetic Shift | 2-11 |
| LRL | Long Right Logical Shift | 2-13 |
| LRS | Long Right Arithmetic Shift | 2-13 |
| LRR | Long Right Rotate | 2-13 |
| OCF | Output Control Pulse | 2-26 |
| OTA | Output from A | 2-26 |
| OTK | Output Keys | 2-37 |
| RCB | Reset C-Bit | 2-38 |
| SCA | Shift Count to A | 2-39 |
| SCB | Set C-Bit | 2-38 |
| * | Skip | 2-40 |
| SKS | Skip If Ready Line Set | 2-26 |

*See mnemonics (Table 2-1) given with the skip instructions.

| <u>Mnemonic</u> | <u>Instruction</u> | <u>Page</u> |
|-----------------|-----------------------|-------------|
| SMK | Set Mask | 2-26 |
| SSM | Set A Sign Minus | 2-41 |
| SSP | Set A Sign Plus | 2-42 |
| STA | Store A | 2-43 |
| STX | Store X | 2-44 |
| SUB | Subtract | 2-45 |
| TCA | Two's Complement A | 2-18 |
| XFS | Index from S Register | 2-46 |
| XFX | Index from X Register | 2-46 |

The flow charts summarize the sequence of events that occur within the CPU during the execution of each instruction. The flow charts are easy to read if the reader applies the following general analysis.

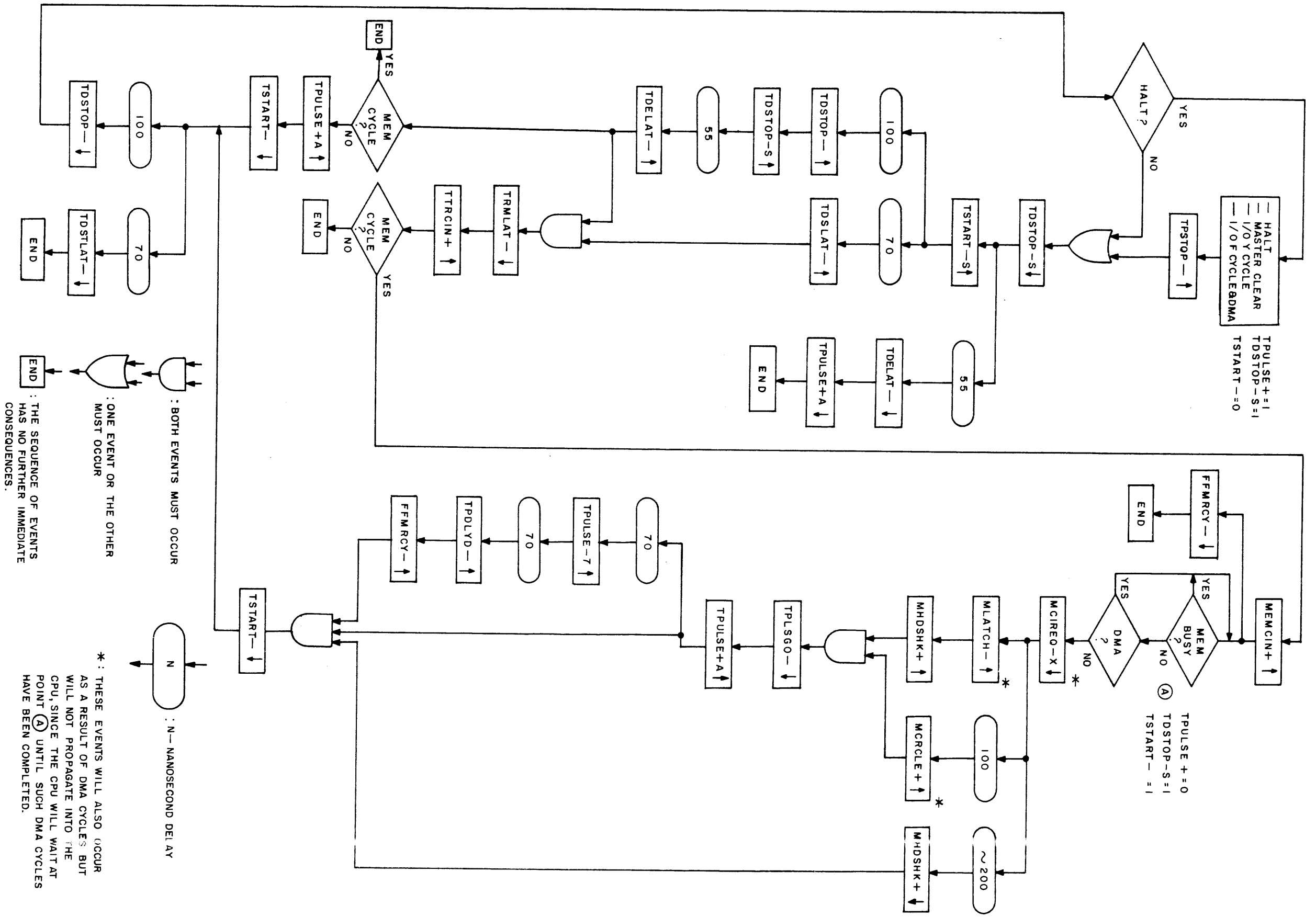
With reference to the Add C-Bit to A (ACA) flow chart, as an example, note that there is a timing cycle designation (TLF) at the left. This is the timing cycle during which the operations listed in the flow chart are performed.

The information within a box is in abbreviated text form, that is, certain key phrases have been replaced with symbology. An example is $A \rightarrow AUG$, which means that the contents of the A-register are transmitted to the G-input of the arithmetic unit.

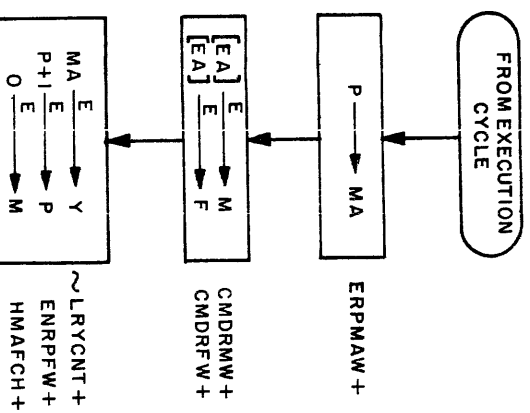
The mnemonics to the right of the box identify the signals that implement the operation described in the box. In the case of $A \rightarrow AUG$, the signal ERAAUW causes the transfer.

In some cases, mnemonics have been omitted from the flow chart for simplicity. In these cases, reference to the analysis of instructions is required.

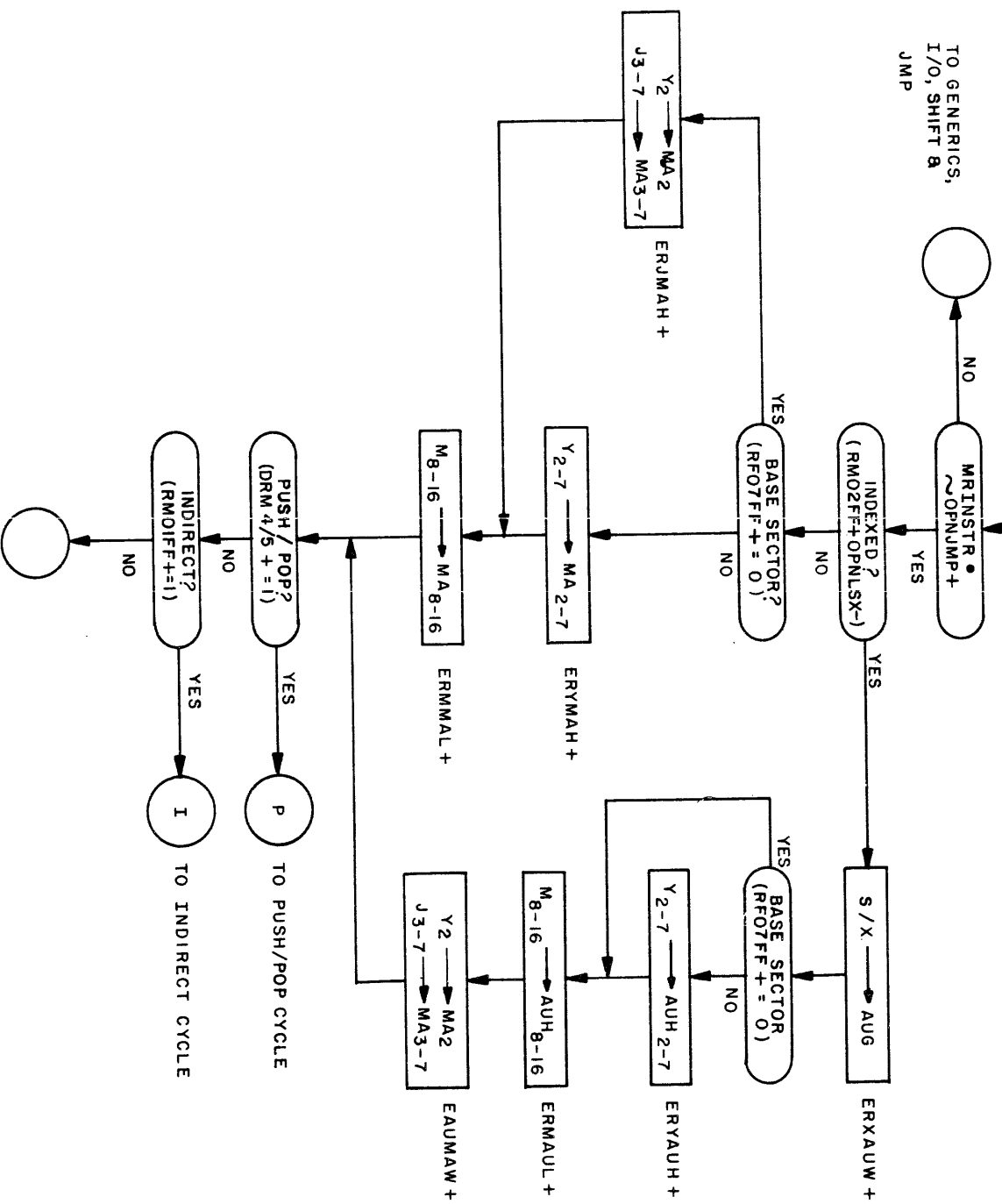
CPU TIMING FLOW CHART



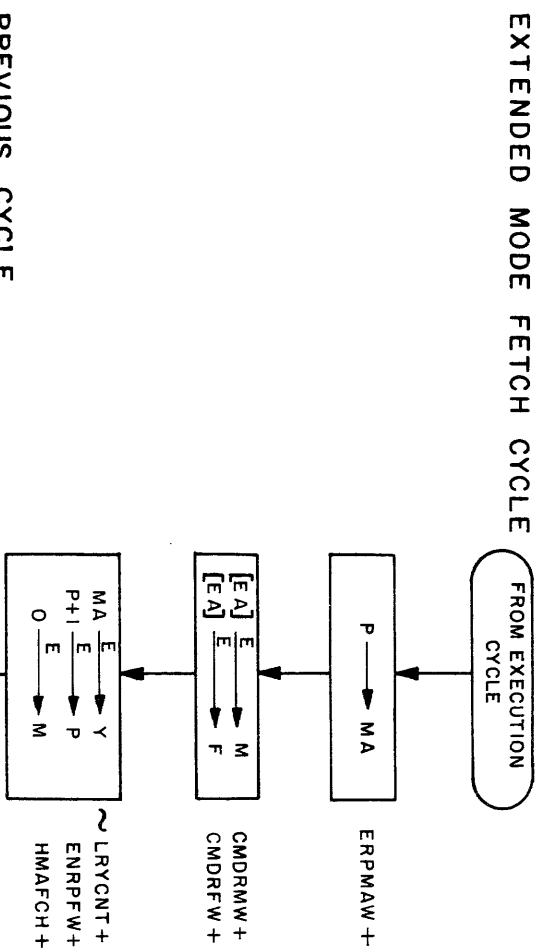
NORMAL MODE FETCH CYCLE



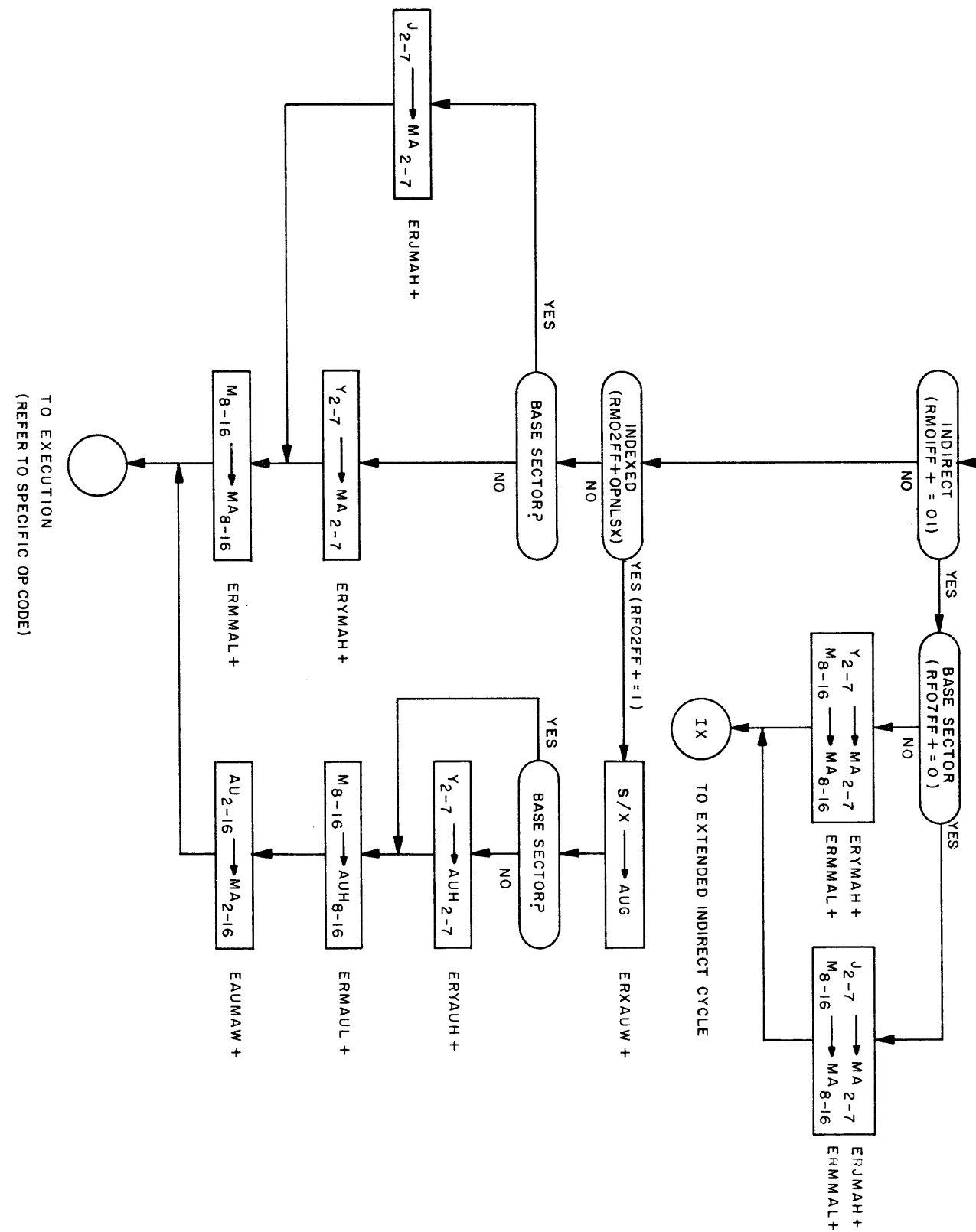
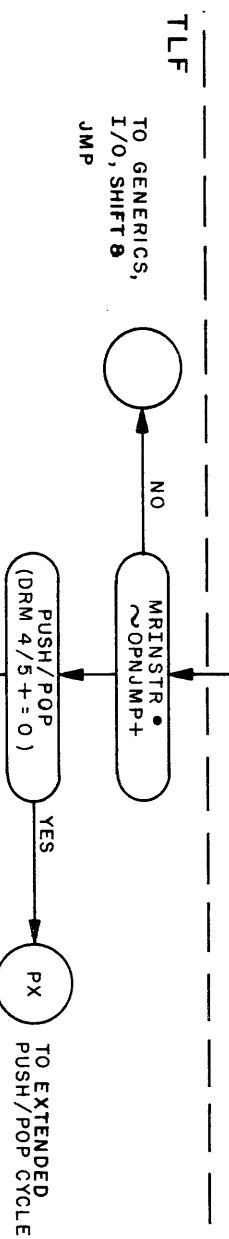
PREVIOUS CYCLE



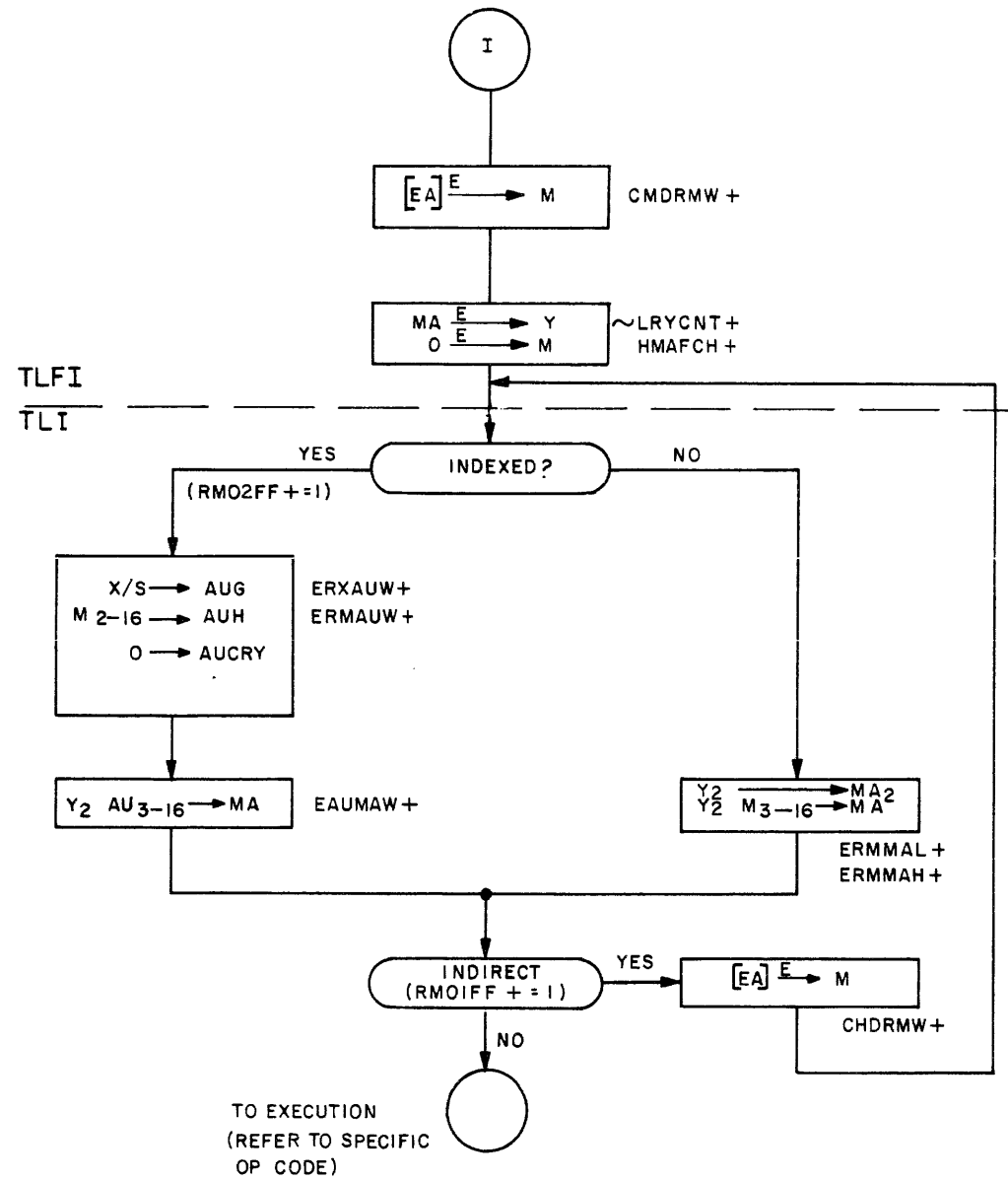
EXTENDED MODE FETCH CYCLE



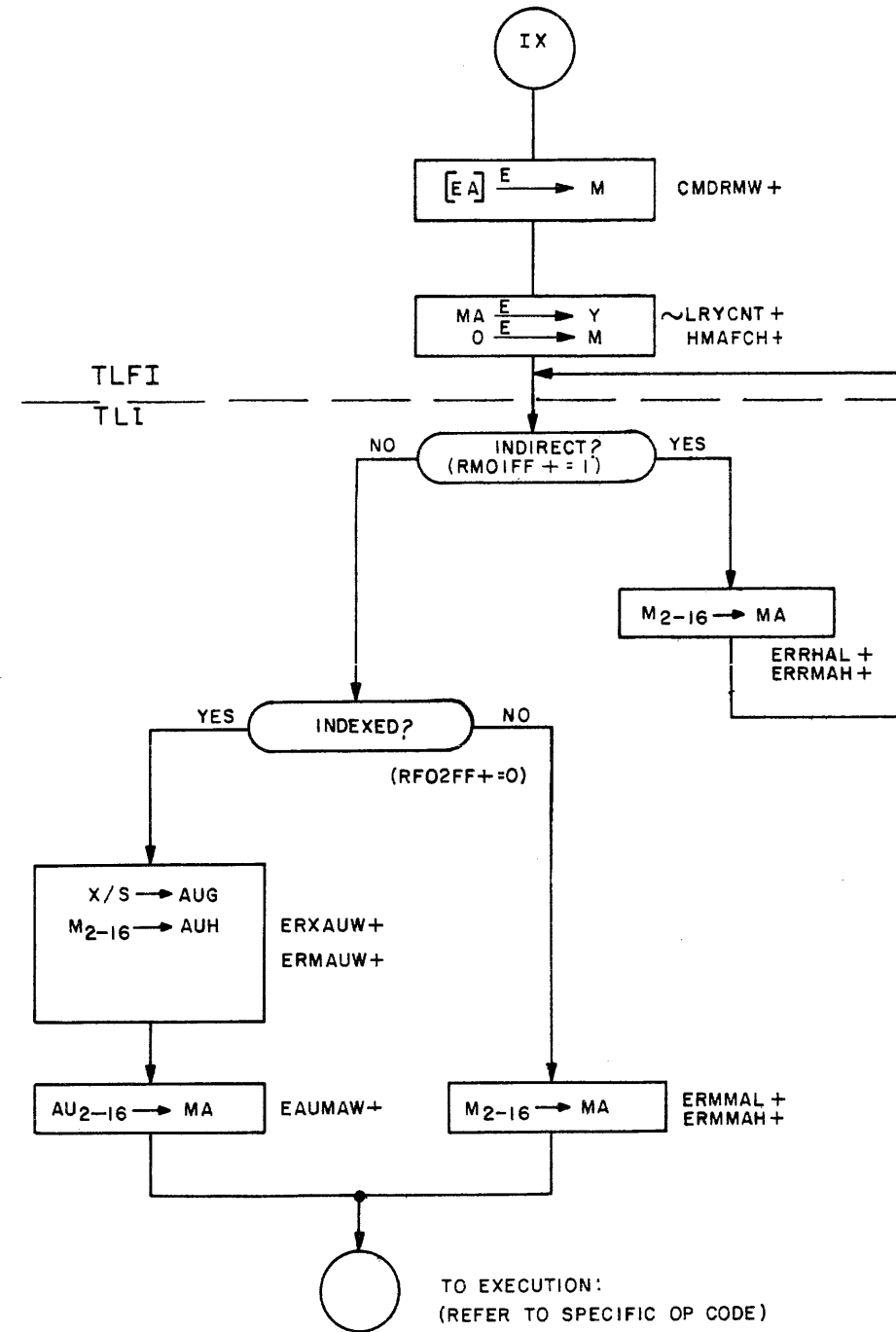
PREVIOUS CYCLE



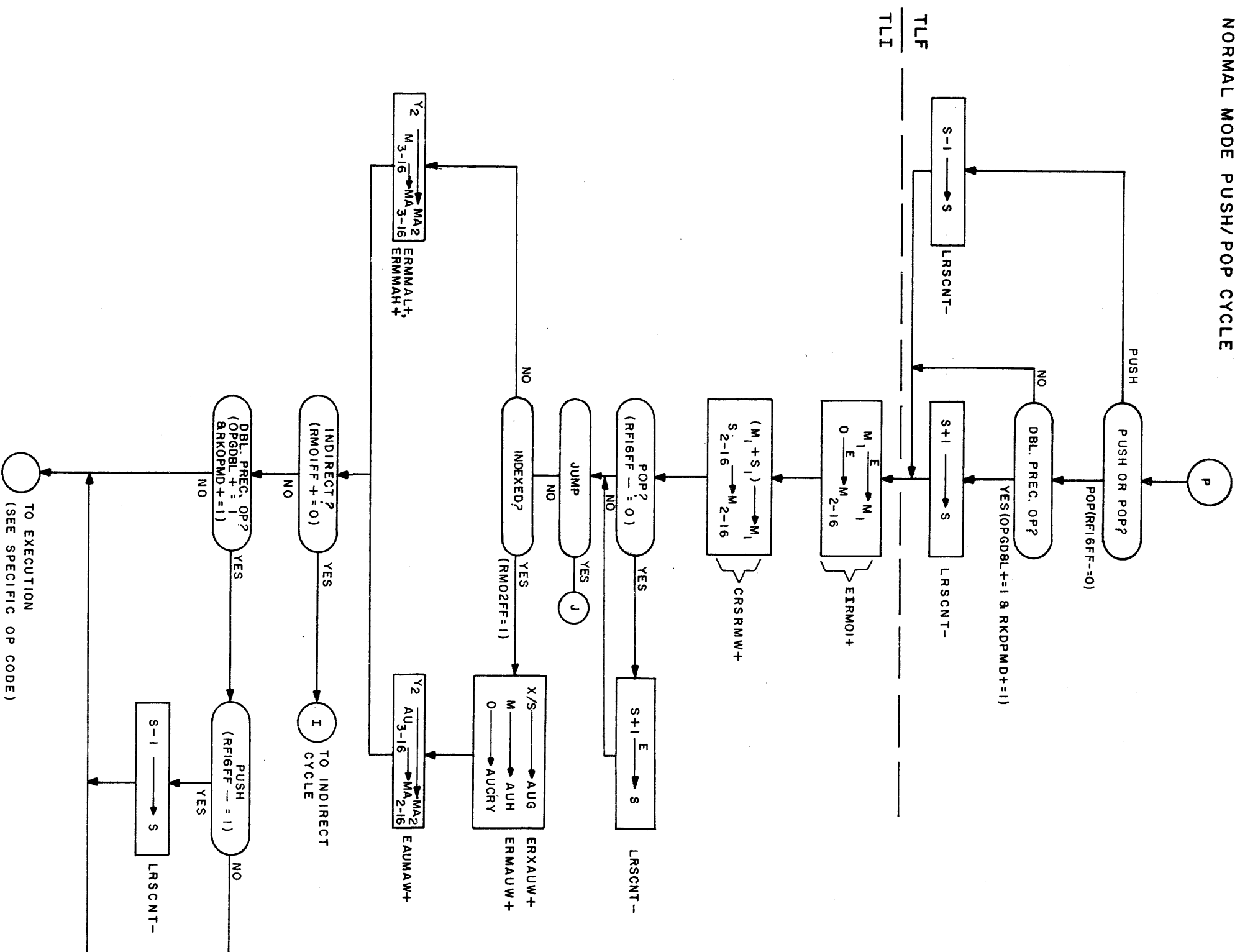
NORMAL MODE INDIRECT CYCLE



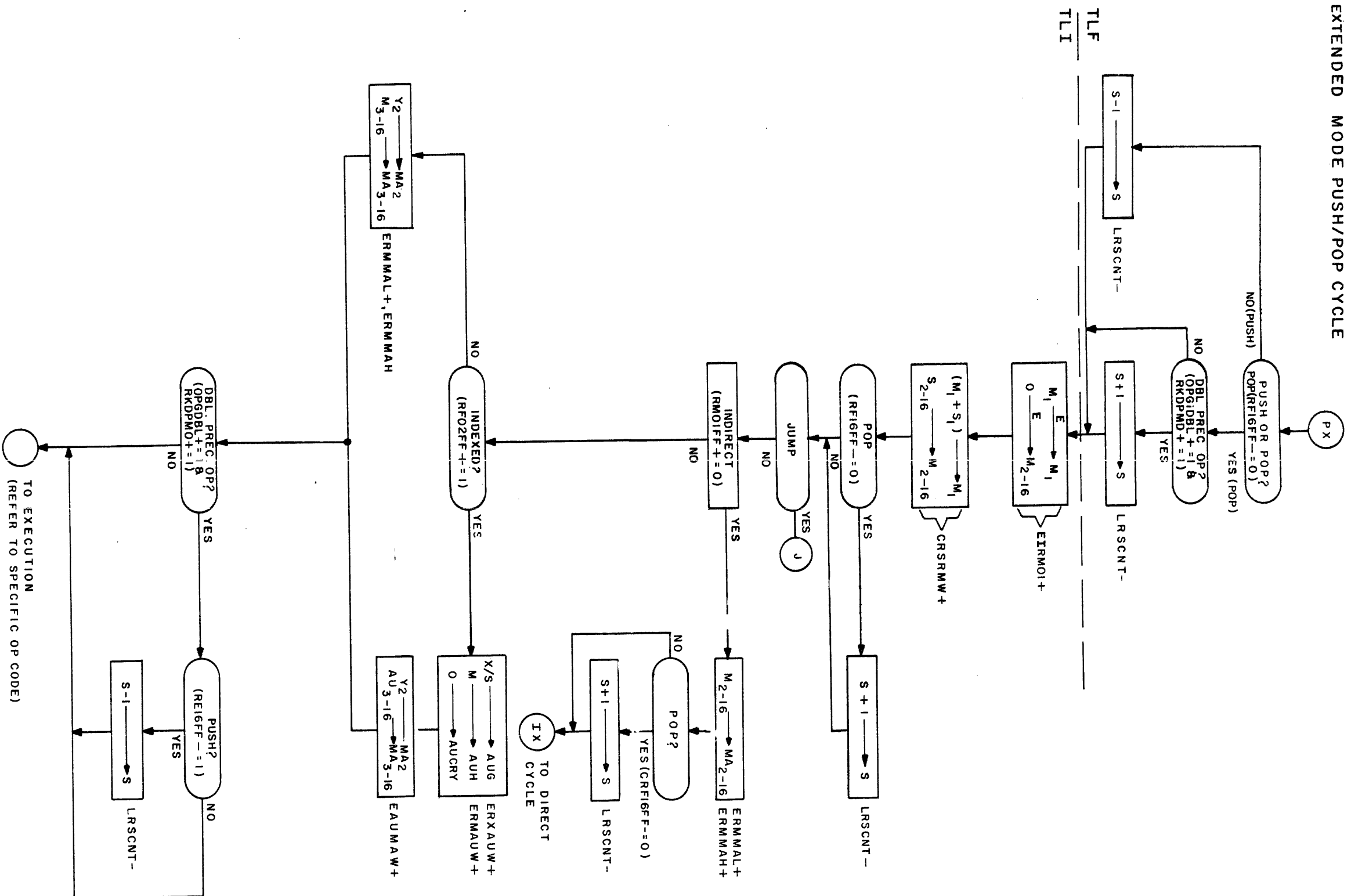
EXTENDED MODE INDIRECT CYCLE



NORMAL MODE PUSH/POP CYCLE



EXTENDED MODE PUSH/POP CYCLE

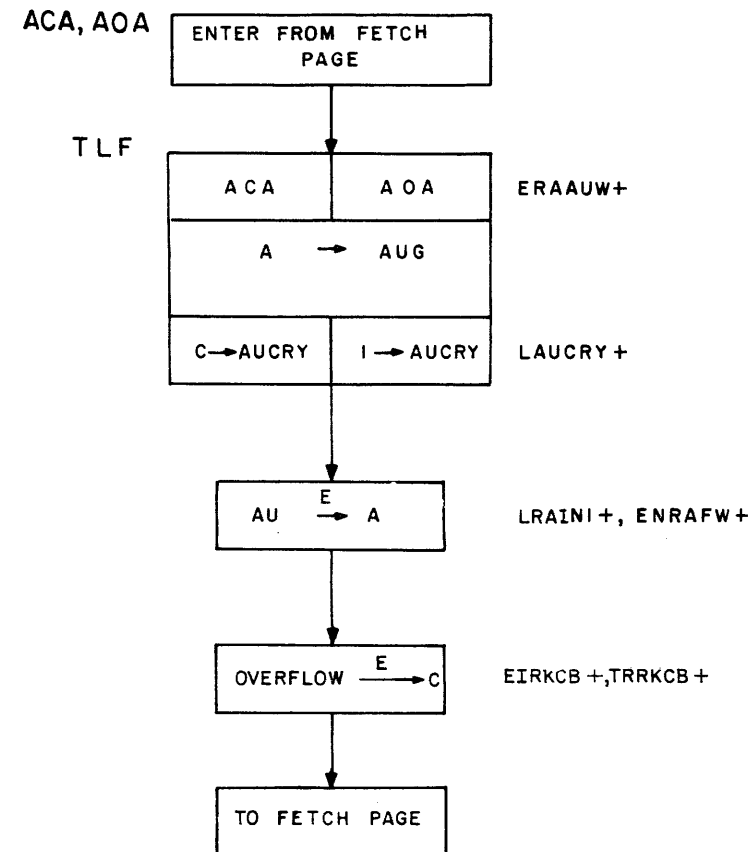


A Increment Instructions

Execution Time (ns): 800

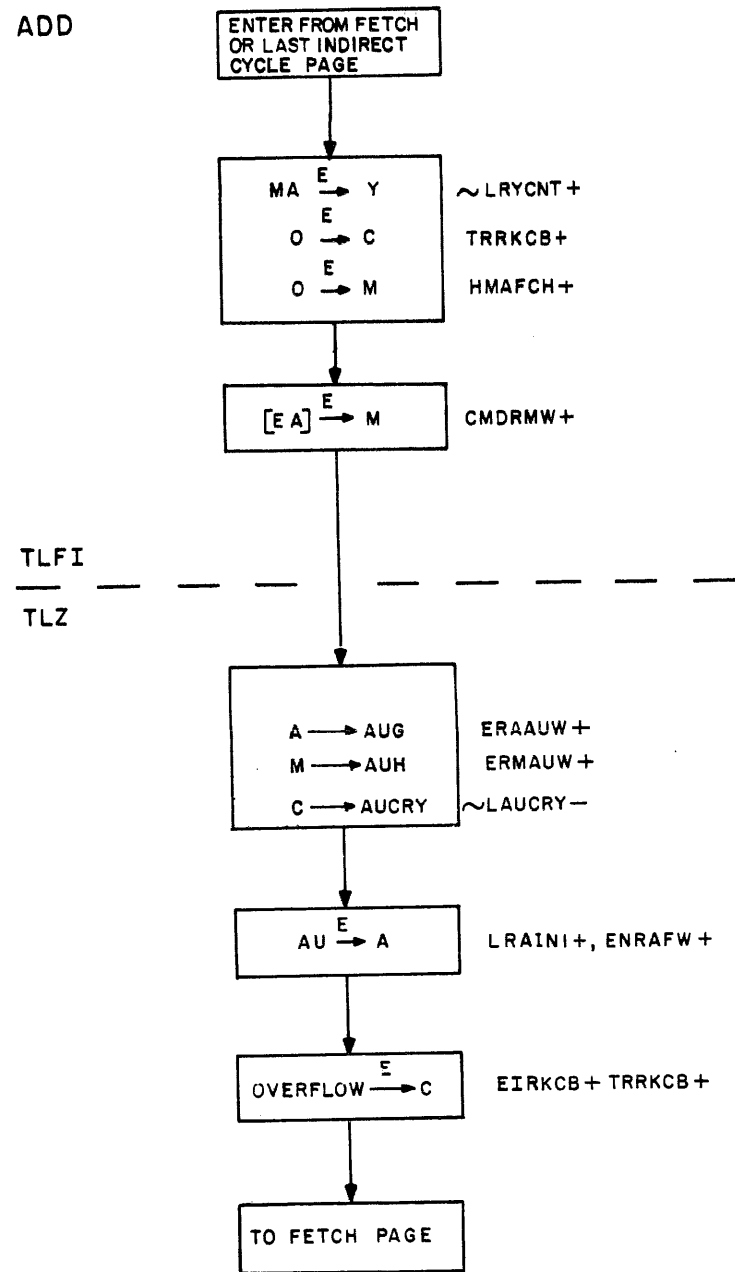
Type: Generic

| Mnemonic | Op. Code | Instruction | Description |
|----------|----------|----------------|-------------------------------|
| ACA | 141216 | Add carry to A | (A) + (C) → (A) OVFL → (C) |
| AOA | 141206 | Add one to A | (A) + 1 → (A) OVFL → (C) |



| Signal | Origin | Cycle | Instruction | Developing Signals |
|---------|-----------|-------|-------------|---|
| ERAUW+ | 129-D9 | TLF | | OPGEN-=(RF03FF-)(RF04FF-)(RM05FF-)(RF06FF-) |
| LAUCRY- | 117-B8 | TLF | | AGA15C-=(DF13/C+)(OPGNA+A) |
| LRAIN1+ | 122-F1 | TLF | | AGA14G-=(RF11FF-)(OPGNA+)(RF14FF+) |
| ENRAFW+ | 122-E10 | TLF | | AGA07G-=(RF07FF+)(OPGNA+A) |
| TRRKCB+ | 124-F5 | TLF | | AGA019-=(OPGNA+)(RF09FF+)(RF11FF-) |
| EIRKCB | 124-F2/F4 | TLF | | AGA150-=(OPGNA+)(QSM0/1-)(RF15FF+) |

ADD

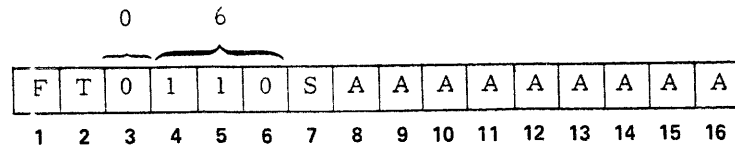


Mnemonic: ADD

Instruction: Add to A

Type: MR

Op. Code: 06



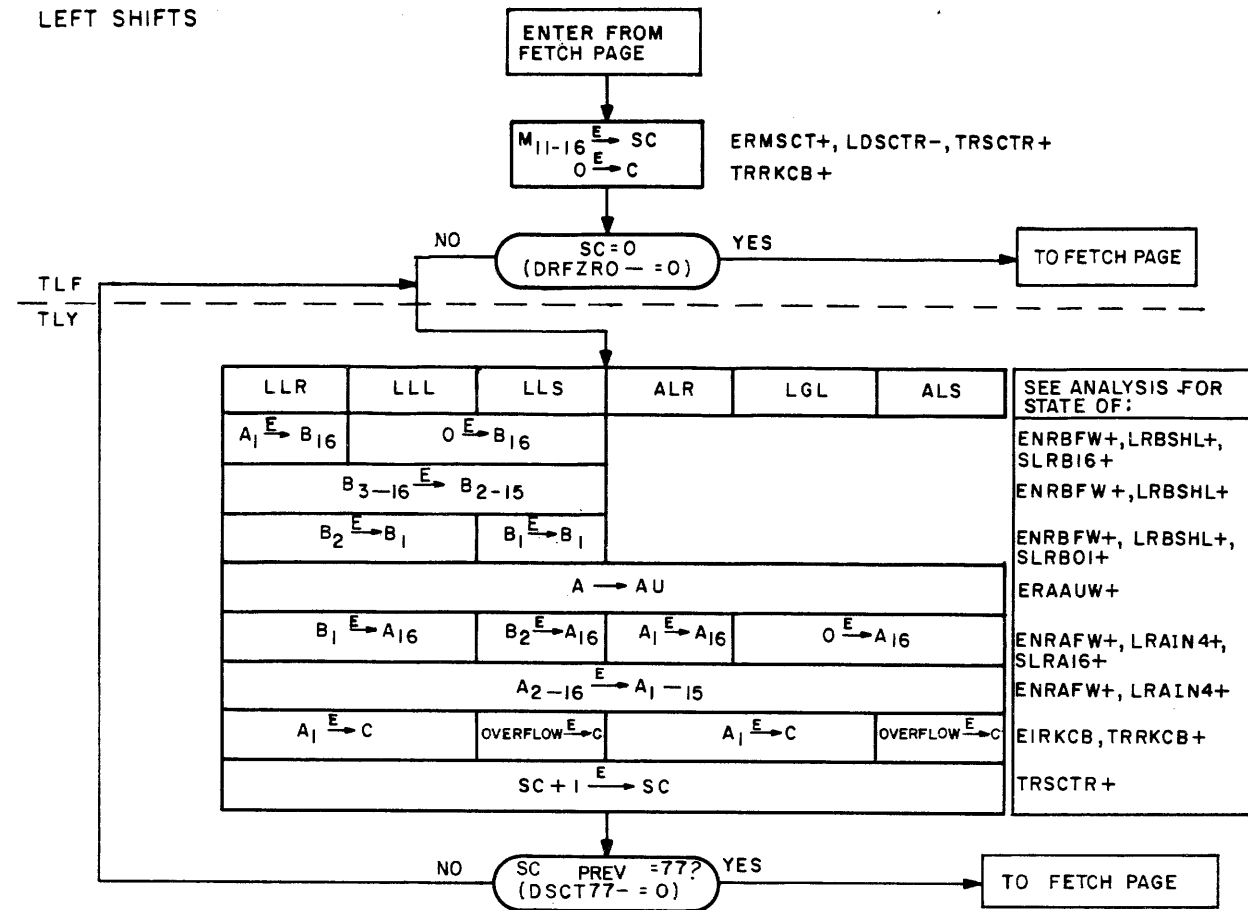
Description: (A) + [EA] → (A) OVFL → (C)

Execution Time(ns)

1600

| Signal | Origin | Cycle | Instruction | Developing Signals |
|---------|------------|-------|-------------|-------------------------------------|
| TRRKCB+ | 124-F5 | TLFI | | OPGA/S-=(OPNSUB-)(OPNADD-) |
| ERAAUW+ | 127-D9/D11 | TLZ | | AA/SZA-=(TLZCYC+A)(OPGA/S+) |
| ERMAUW+ | 127-G4/G6 | TLZ | | AMAUXZ-=(TLXYZC+)(OPGMAU+) |
| LAUCRY- | 117-C8 | TLZ | | AA/SXZ-=(RKCBIT+)(OPGA/S+)(TLXYZC+) |
| LRINI+ | 122-F1/G1 | TLZ | | EATURAW-1=(HENHAU-R)(OPGMAU-) |
| ENRAFW+ | 122-E10 | TLZ | | ATAZZC-=(TLZCTC+A)(OPGTAZ+) |
| TRRKCB+ | 124 F5 | TLZ | | OPGA/S-=(OPNSUB-)(OPNADD-) |
| EIRKCB | 124-F2/F4 | TLZ | | AA/SZO-=(OPGA/S+)(QSMO/I-)(TLZCYC+) |

LEFT SHIFTS



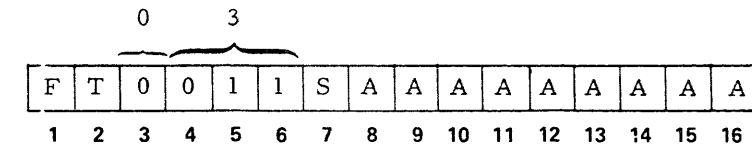
Left Shift Instructions
Type: Shift

Execution Time (ns): 800 + 350 x N

| Mnemonic | Op. Code | Instruction | Description |
|----------|----------|----------------------------|-------------|
| LLR | 0412 | Long Left Rotate | |
| LLL | 0410 | Long Left Logical Shift | |
| LLS | 0411 | Long Arithmetic Left Shift | |
| ALR | 0416 | Logical Left Rotate | |
| LGL | 0414 | Logical Left Shift | |
| ALS | 0415 | Arithmetic Left Shift | |

Left Shifts

| Signal | Origin | Cycle | Instruction | Developing Signals |
|----------|-----------|-------|------------------------------|--|
| ERMSCT+ | 125-B4 | TLF | | ERMSCT+=(TLFCTC+)(OPGSHF+A) |
| LDSCTR- | 125-D4 | TLF | | LDSCTR-=(TRSCTR+)(TLF/IC+) |
| TRSCTR+ | 125-D2 | TLF | | OPGSHF+=(OPGGEN+)(RF01FF-)(HAU/MA-)(RF02FF+) |
| TRRKCB+ | 124-F5 | TLF | | OPGSHF-=(OPGGEN+)(RF01FF-)(RF02FF+)(HAU/MA-) |
| EITLYC+ | 119-D11 | TLF | | AJMPW1-=(TLFCYC+)(DRFZRO-)(OPGSHF+A) |
| ENRBFW+ | 123-F3 | TLY | LLR, LLL, LLS | ASHF8C-=(RF08FF-)(TLYCYC+A)(OPGSHF+) |
| LRBSHL+ | 123-G1 | TLY | LLR, LLL, LLS | ASHF7U-=(RF07FF+)(OPGSHF+) |
| SLRB16+ | 123-G7 | TLY | LLR | ASHU19-=(RF09FF+)(OPGSHF+)(AUOOSM+) |
| SLRB01+ | 123-G6 | TLY | LLR, LLL, LLS | ASHB20-=(OPGSHF+)(RB02FF+)(RF10FF-) AGE101-=(RBO1FF+)(AGE108+) |
| ERAAUW+ | 127-D9 | TLY | | OPGGEN-=(RF03FF-)(RF04FF-)(RF05FF-)(RF06FF-) |
| ENRAFW+ | 122-F10 | TLY | | ASHLYC-=(OPGSHF+)(TLYCYC+A) |
| LRRAIN4+ | 122-F5 | TLY | | ASHF7U-=(RF07FF+)(OPGSHF+) |
| SLRA16+ | | TLY | LLR, LLL, LLS | ASHB18-=(RF10FF-)(RF08FF-)(RB01FF+)(OPSHF+A) AGE102-=(AGE108+)(RB02FF+) |
| EIRKCB | 124-F2/F4 | TLY | LLR, LLL, ALR, LGL, LLS, ALS | ASHU17-=(ASHLYC+)(RF10FF-)(RF07FF+)(AUOOSM+) ASHA/7-=(RF07FF+)(QA1/A2-)(ASHLYC+)(RF10FF+) ASHKB7-=(RKCBIT+)(RF07FF+)(RF10FF+)(ASHLYC+) |
| TRRKCB+ | 124-F5 | TLY | | OPGSHF-=(OPGGEN+)(RF01FF-)(RF02FF+)(HAU/MA-) |
| TRSCTR+ | 125-D2 | TLY | | OPGSHF-=(OPGGEN+)(RF01FF-)(RF02FF+)(HAU/MA-) |
| EITLYC+ | 119-D10 | TLY | | AJMPW1-=(TLYCYC+A)(DSCT77-)(OPGSHF+A) |



Mnemonic: ANA

Instruction: Logical AND

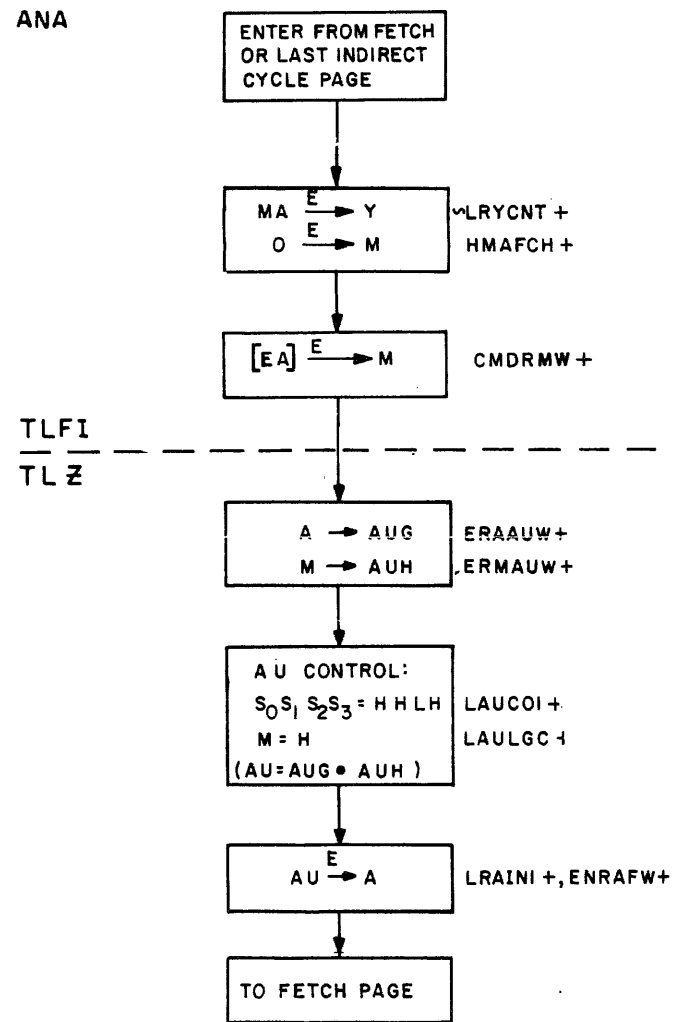
Type: MR

Op. Code: 03

Description: $(A) \wedge [EA] \rightarrow (A)$

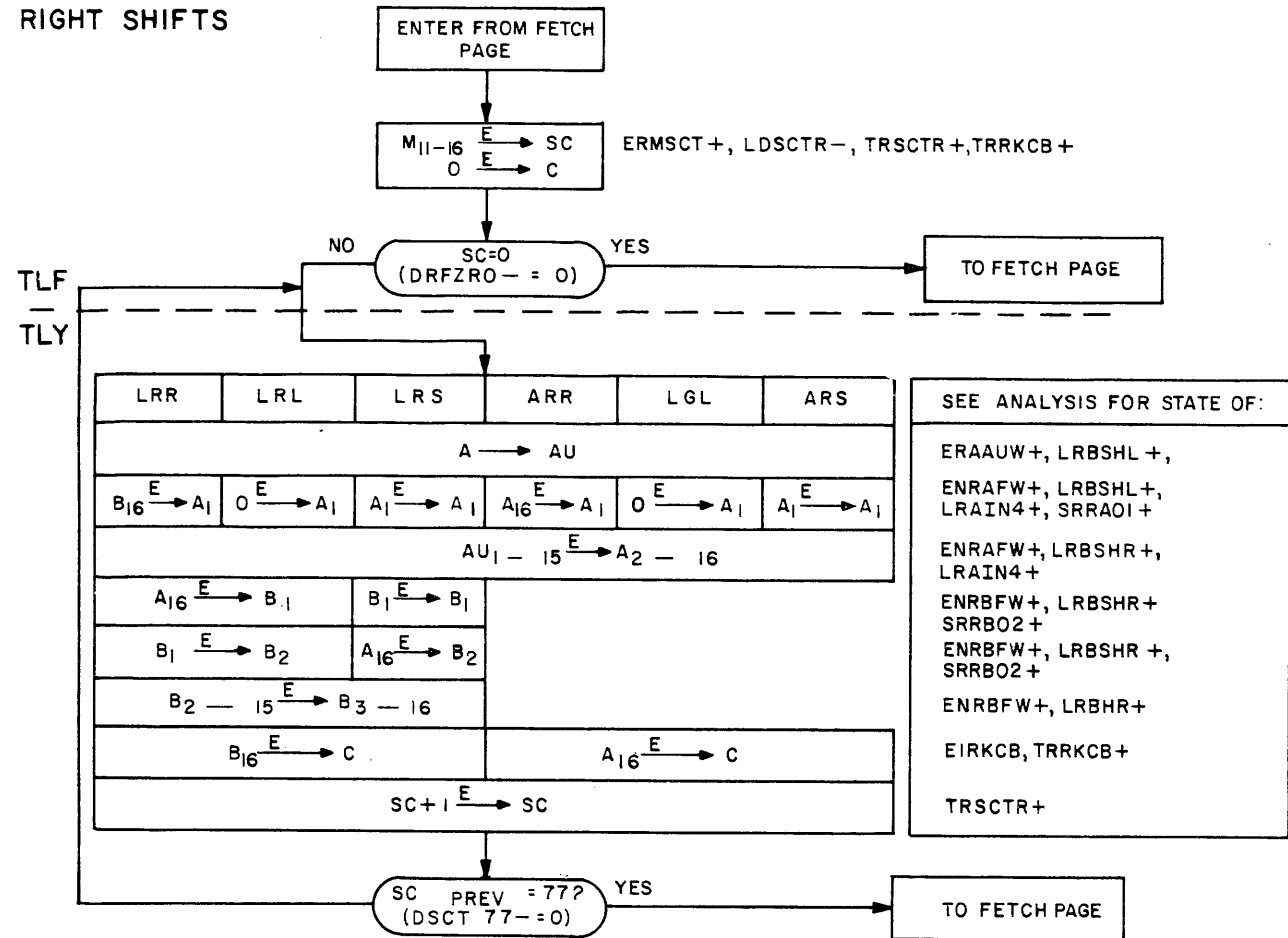
Execution Time(ns)

1600



| Signal | Origin | Cycle | Instruction | Developing Signals |
|---------|------------|-------|-------------|------------------------------|
| ERAAUW+ | 127-D9/D11 | TLZ | | ALGAXZ-=(TLXYZC+)(OPGLGA+) |
| ERMAUW+ | 127-G4/G6 | TLZ | | AMAUXZ-=(TLXYZC+)(OPGMAU+) |
| LAUCOI+ | 117-D3 | TLZ | | ALGAXZ-=(TLXYZC+)(OPGLGA+) |
| LAULGC+ | 117-B1 | TLZ | | ALGAXZ-=(TLXYZC+)(OPGLGA+) |
| LRAINI+ | 122-F1/G1 | TLZ | | EAURAW-1=(HENHAU-R)(OPGMAU-) |
| ENRAFW+ | 122-E10 | TLZ | | ATAZZC-=(TLZCYC+A)(OPGTAZ+) |

RIGHT SHIFTS



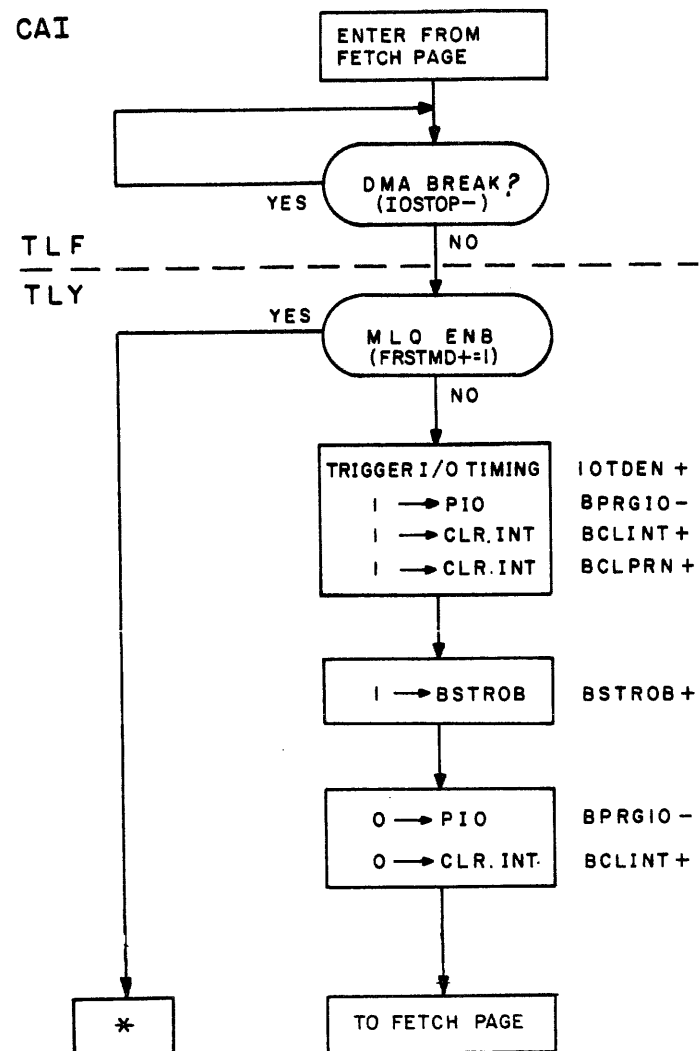
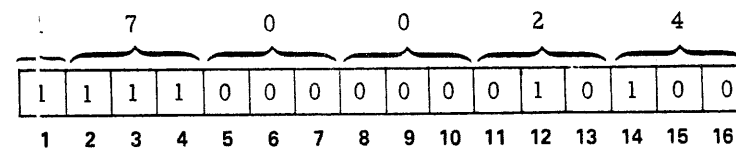
Right Shift Instructions
Type: Shift

Execution Time(ns): 800 + 350 x N

| Mnemonic | Op. Code | Instruction | Description |
|----------|----------|-----------------------------|-------------|
| LRR | 0402 | Long Right Rotate | |
| LRL | 0400 | Long Right Logical Shift | |
| LRS | 0401 | Long Arithmetic Right Shift | |
| ARR | 0406 | Logical Right Rotate | |
| LGR | 0404 | Logical Right Shift | |
| ARS | 0405 | Arithmetic Right Shift | |

Right Shifts

| Signal | Origin | Cycle | Instruction | Developing Signals |
|----------|-----------|-------|---------------|--|
| ERMSCT+ | 124-B4 | TLF | | ERMSCT+=(TLFCYC+)(OPGSHF+A) |
| LDSCTR- | 125-D4 | TLF | | LDSCTR+=(TRSCTR+)(TLF/IC+) |
| TRSCTR+ | 125-D2 | TLF | | OPGSHF+=(OPGGEN+)(RF01FF-)(HAU/MA-)(RF02FF+) |
| TRRKCB+ | 124-F5 | TLF | | OPGSHF-=(OPGGEN+)(RF01FF-)(RF02FF+)(HAU/MA-) |
| EITLYC+ | 119-D11 | TLF | | AJMPW1-=(TLFCYC+)(DRFZRO-)(OPGSHF+A) |
| ERAAUW+ | 127-D9 | TLY | | OPGGEN-=(RF03FF-)(RF04FF-)(RF05FF-)(RF06FF-) |
| ENRAFW+ | 122-F10 | TLY | | ASHLYC-=(OPGSHF+)(TLYCYC+A) |
| LRRAIN2+ | 122-F3 | TLY | | ASHF7S-=(OPGSHF+A)(RF07FF-) |
| LRRAIN4+ | 122-F5 | TLY | | ASHF7S-=(OPGSHF+A)(RF07FF-) |
| SRRAO1+ | 123-G9 | TLY | LRS, ARS | ASU10-=(OPGSHF+)(RF10FF+)(AUOOSM+) |
| | | | ARR | ASHU68-=(AU16SM+A)(RF08FF+)(RF09FF+)(OPGSHF+A) |
| | | | LRR | ASHB68-=(RF09FF+)(RF08FF-)(OPGSHF+A)(RB16FF+) |
| ENRBFW+ | 123-F3 | TLY | LRR, LRL, LRS | ASHF8C-=(RF08FF-)(TLYCY+A)(OPGSHFT) |
| LRBSHR+ | 123-G2 | TLY | LRR, LRL, LRS | ASHF7S-=(OPGSHF+A)(RF07FF-) |
| SRRBOI+ | 123-G10 | TLY | LRS | ASHB12-=(RB01FF+)(RF10FF+)(OPGSHF+) |
| | | | LRR, LRL | ASHU60-=(OPGSHF+)(RF10FF-)(AU16SM+A) |
| SRRBO2+ | 123-G11 | TLY | LRR, LRL | ASHB10-=(RB01FF+)(RF10FF-)(OPGSHF+) |
| | | | LRS | ASHU62-=(AU16SM+A)(RF10FF+)(OPGSHF+) |
| EIRKCB | 124-F2/F4 | TLY | LRR, LRL, LRS | ASHB67-=(RB16FF+)(RF08FF-)(RF07FF-)(ASHLYC+) |
| | | | ARR, LGR, ARS | ASHU67-=(ASHLYC+)(AU16SM+A)(RF08FF+)(RF07FF-) |
| TRRKCB+ | 124-F5 | TLY | | OPGSHF-=(OPGGEN+)(RF01FF-)(RF02FF+)(HAU/MA-) |
| TRSCTR+ | 125-D2 | TLY | | OPGSH-=(OPGGEN+)(RF01FF-)(RF02FF+)(HAU/MA-) |
| EITLYC+ | 119-D10 | TLY | | AJMPW1-=(TLYCY+A)(DSCT77-)(OPGSHF+A) |



* INTERRUPT WILL OCCUR IN PLACE OF NEXT FETCH

Mnemonic: CAI

Instruction: Clear Active Interrupt

Type: I/O

Op. Code: 74, F=0, A=24

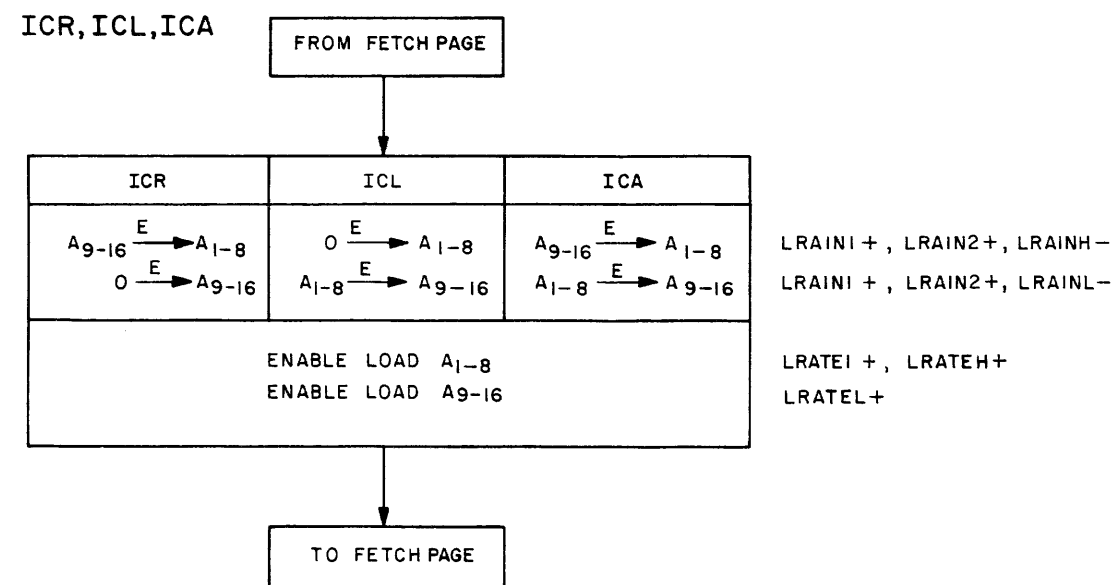
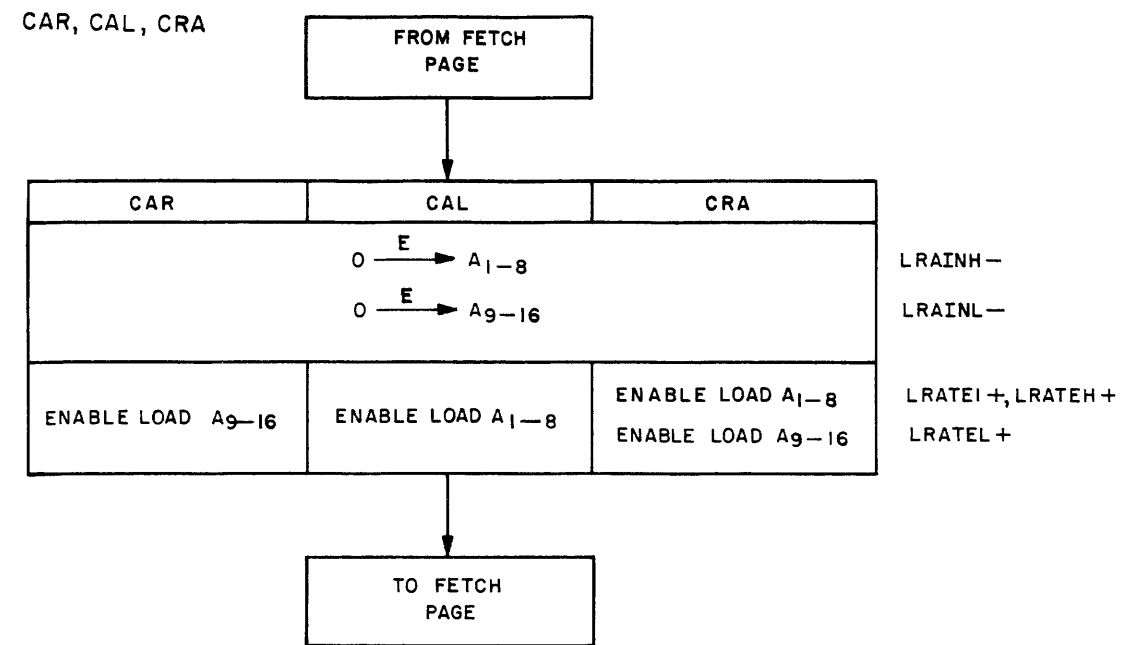
Description: Clear Active Interrupt Request

Execution Time(ns)

3000

| Signal | Origin | Cycle | Instruction | Developing Signals |
|---------|---------|-------|-------------|---|
| IOTDEN+ | 138-A1 | TLY | | AI/OFC--=(FRSTMD-)(TLFCYC+)(OPGI/O4) |
| BPRGIO- | 138-F1 | TLY | | BPRGIO--=(IOTIM1+) |
| BCLINT+ | 138-F12 | TLY | | OPNCAI--=(RF02FF+)(RF07FF-)(RF08FF-) (OPGXMK+)(RF10FF-)(RF09FF-)(RF14FF-) (IOTIM1+) |
| BCLPRN+ | 138-F10 | TLY | | ACAICC--=(IOTIMC+)(OPNCAI+) |
| BSTROB+ | 138-F11 | TLY | | ACAILC--=(OPNCAI+)(IOTIML+) |

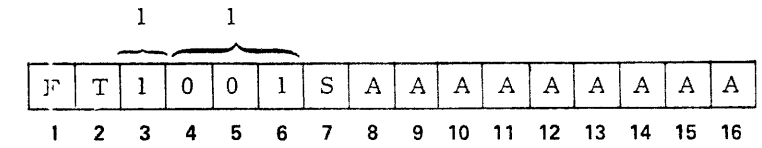
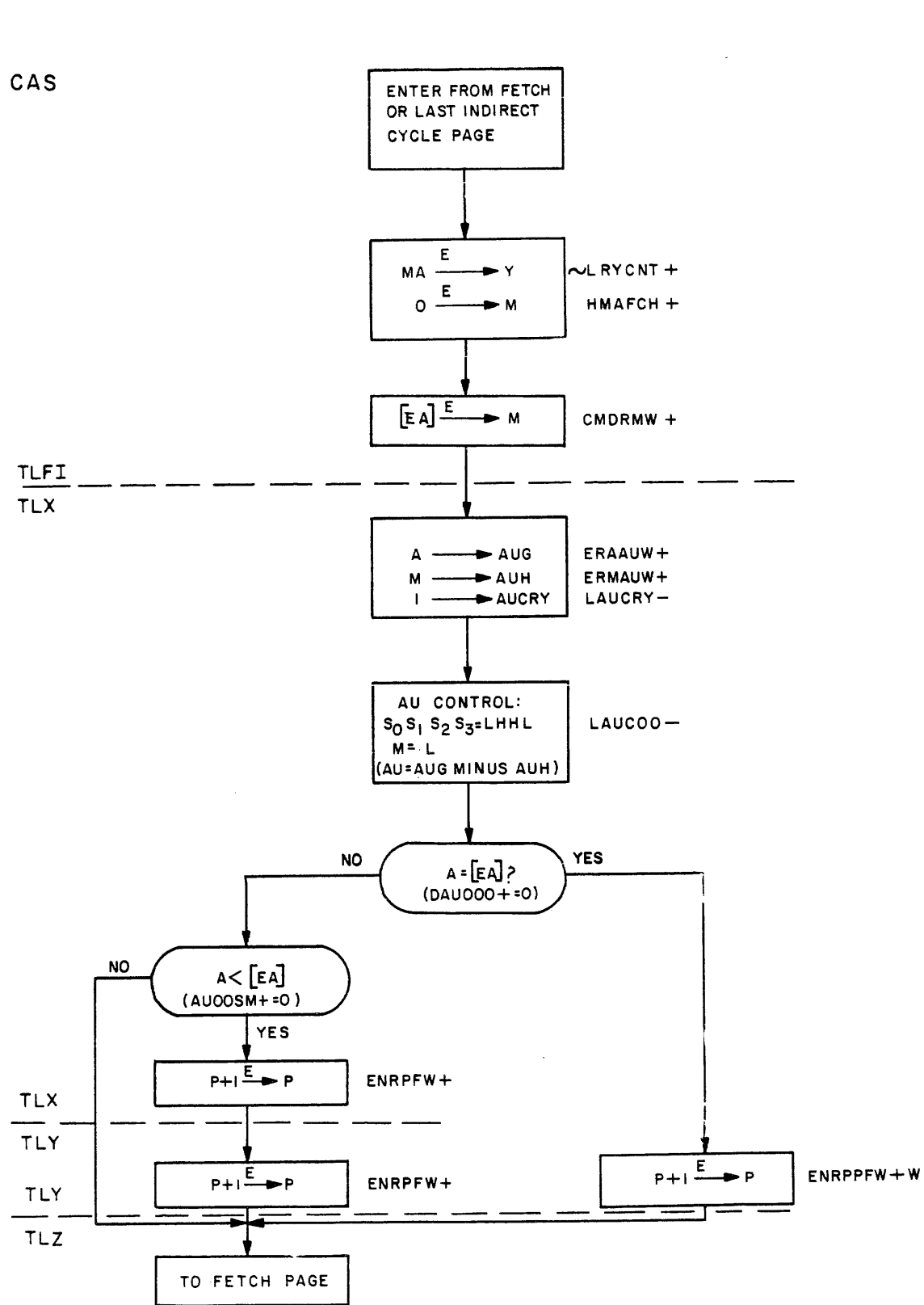
Accumulator Byte Operations
 Type: Generic Execution Time(ns): 800



| Mnemonic | Op. Code | Instruction | Description |
|----------|----------|---------------------------------------|--|
| CAR | 141044 | Clear Accumulator, Right Half | $(A_{1-8}) \rightarrow (A_{1-8}), 0 \rightarrow (A_{9-16})$ |
| CAL | 141050 | Clear Accumulator, Left Half | $0 \rightarrow (A_{1-8}), (A_{9-16}) \rightarrow (A_{9-16})$ |
| CRA | 140040 | Clear Accumulator | $0 \rightarrow (A_{1-16})$ |
| ICA | 141340 | Interchange Characters (bytes) in A | $(A_{1-8}) \rightleftarrows (A_{9-16})$ |
| ICL | 141140 | Interchange and Clear Left Half of A | $(A_{1-8}) \rightarrow (A_{9-16}), 0 \rightarrow (A_{1-8})$ |
| ICR | 141240 | Interchange and Clear Right Half of A | $(A_{9-16}) \rightarrow (A_{1-8}), 0 \rightarrow (A_{9-16})$ |

| Signal | Origin | Cycle | Instruction | Developing Signals |
|---------|---------|-------|---------------|--|
| LRAIN1+ | 122-F1 | TLF | | AGA11G-=(RF11FF+)(OPGGNA+A) |
| LRAIN2+ | 122-F3 | TLF | | AGA11G-=(RF11FF+)(OPGGNA+A) |
| LRAINH- | 122-E7 | TLF | ICR, ICA | AGA119-=(RF11FF+)(RF09FF-)(OPGGNA+) |
| LRAINL- | 122-E8 | TLF | ICL, ICA | LRAINL-=(RF11FF+)(OPGGNA+A)(RF10FF-) |
| LRATEH+ | 122-G10 | TLF | CRA, CAL | AGANFO-=(RF10FF-)(RF12FF-)(OPGGNA+)(RF09FF-) |
| | | | ICL, ICR, ICA | AGA07G-=(RF07FF+)(OPGGNA+A) |
| LRATEL+ | 122-G11 | TLF | CRA, CAR | AGANFO-=(RF10FF-)(RF12FF-)(OPGGNA+)(RF09FF-) |
| | | | ICL, ICR, ICA | AGA07G-=(RF07FF+)(OPGGNA+A) |

CAS

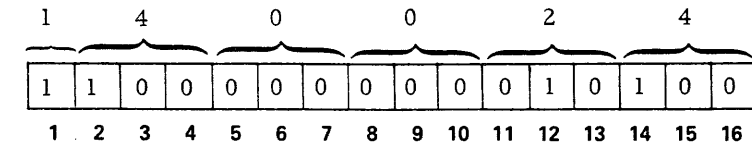


Mnemonic: CAS
 Instruction: Compare Accumulator with Storage
 Type: MR
 Op. Code: 11

Description: If (A) > [EA], Execute Next Instruction
 (A) = [EA], Skip Next Instruction
 (A) < [EA], Skip Next Two Instructions

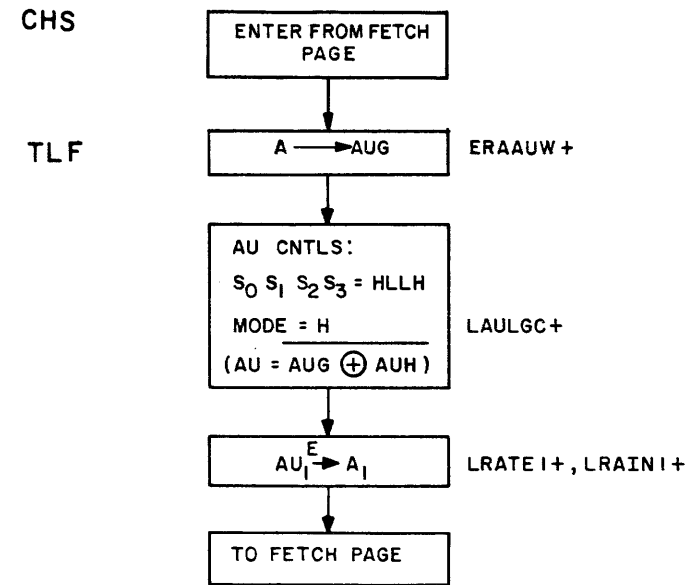
Execution Time(ns)
 1600
 1950
 2300

| Signal | Origin | Cycle | Instruction | Developing Signals |
|---------|------------|-------|-------------|--|
| ERAAUW+ | 127-D9/D11 | TLX | | ACASXZ--=(TLXYZC+)(OPNCAS+) |
| ERMAUW+ | 127-G4/G6 | TLX | | AMAUXZ--=(TLXYZC+)(OPGMAU+) |
| LAUCRY- | 117-C8 | TLX | | ACRYXC--=(TLXCYC+)(OPGCRY+) |
| LAUCOO- | 117-D4/E4 | TLX | | ANEGXZ--=(TLXYZC+)(OPGNEG+) |
| EITLYC- | 119-D6 | TLX | | ACASX1--=(TLXCYC+A)(AUOOSM+)(DAU000-)(OPNCAS+) |
| EITLZC+ | 119-F9 | TLX | | ACASXO--=(TLXCYC+A)DAU000+(OPNCAS+) |
| ENRPRW+ | 129-C9 | TLY | | ACASXZ--=(TLXYZC+)(OPNCAS+) |
| EITLZC+ | 119-F9 | TLY | | ACASYC--=(OPNCAS+)(TLYCYC+) |
| ENRPFW+ | 129-C9 | TLZ | | ACASXZ--=(TLXYZC+)(OPNCAS+) |



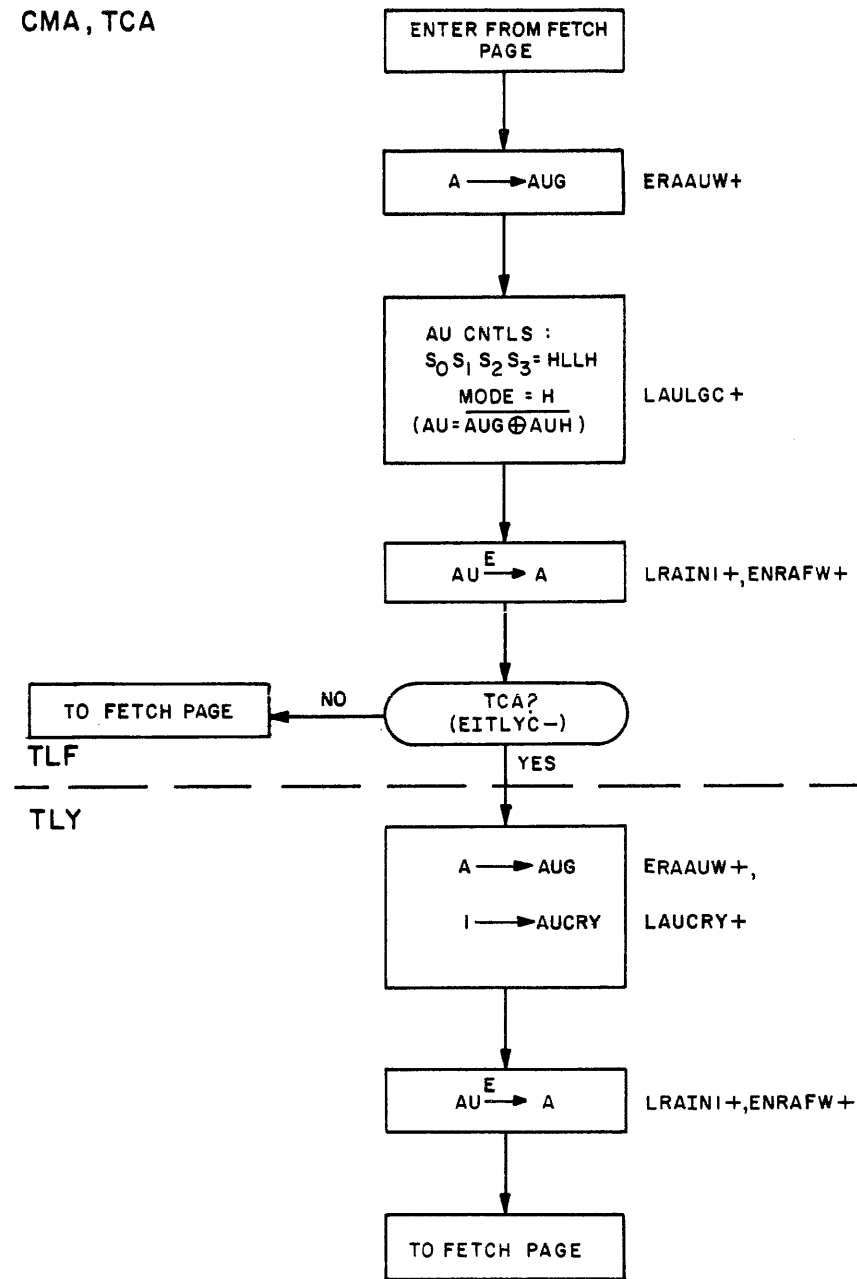
Mnemonic: CHS
 Instruction: Change A Sign
 Type: Generic
 Op. Code: 140024

Description: $\overline{(A_1)} \rightarrow (A_1)(A_{2-16}) \rightarrow (A_{2-16})$
 Execution Time(ns)
 800



| Signal | Origin | Cycle | Instruction | Developing Signals |
|---------|--------|-------|-------------|---|
| ERAAUW+ | 127-D9 | TLF | | OPGEN--(RF03FF-)(RF04FF-)(RF05FF-)(RF06FF-) |
| LAULGC+ | 117-B1 | TLF | | AGANFC--(OPGGNA+)(TLYCYC-)(RF09FF-) |
| LRATE1+ | 122-G8 | TLF | | AGANFC--(OPGGNA+)(TLYCYC-(RF09FF-)) |
| LRAIN1+ | 122-F1 | TLF | | AGA14G--(RF11FF-)(OPGGNA+)(RF15FF+) |

CMA, TCA

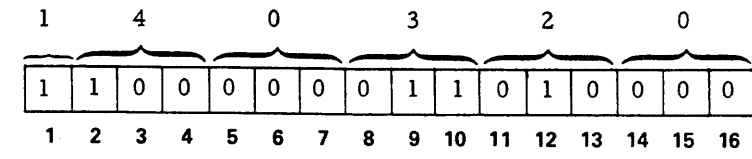


Complement A Instructions
Type: Generic

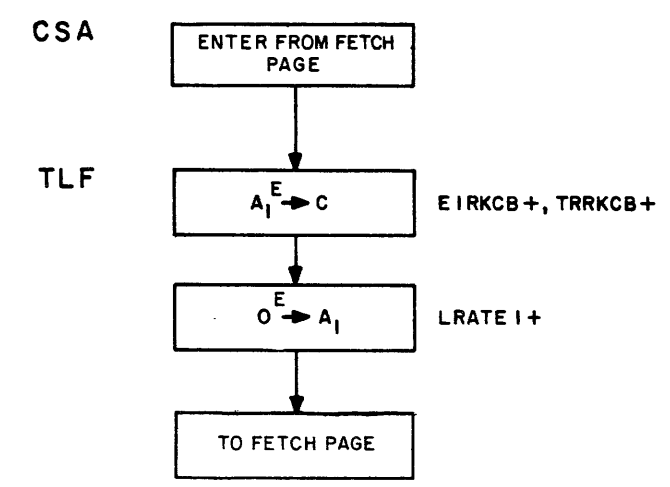
Execution Time(ns): CMA: 800
TCA: 1150

| Mnemonic | Op. Code | Instruction | Description |
|----------|----------|--------------------|--|
| CMA | 140401 | Complement A | $(A_{1-16}) \rightarrow (A_{1-16})$ |
| TCA | 140407 | Two's Complement A | $(\overline{A_{1-16}}) + 1 \rightarrow (A_{1-16})$ |

| Signal | Origin | Cycle | Instruction | Developing Signals |
|---------|---------|-------|-------------|--|
| ERAAUW+ | 127-D9 | TLF | | OPGGEN-=(RF03FF-)(RF04FF-)(RF05FF-)(RF06FF-) |
| LAULGC | 117-B1 | TLF | | AGANFC-=(OPGGNA+)(TLYCYC-)(RF09FF-) |
| LRAINI+ | 122-F1 | TLF | | AGA08G-=(OPGGNA+A)(RF08FF+) |
| ENRAFW+ | 122-E10 | TLF | | AGANF0-=(RF10FF-)(RF12FF-)(OPGGNA+)(RF09FF-) |
| ERAAUW+ | 127-D9 | TLY | TCA | OPGGEN-=(RF03FF-)(RF04FF-)(RF05FF-)(RF06FF-) |
| LAUCRY+ | 117-B8 | TLY | TCA | AGA15C-=(DF13/C+)(OPGGNA+A) |
| LRAINI+ | 122-F1 | TLY | TCA | AGA08G-=(OPGGNA+A)(RF08FF+) |
| ENRAFW+ | 122-E10 | TLY | TCA | AGANF0-=(RF10FF-)(RF12FF-)(OPGGNA+)(RF09FF-) |



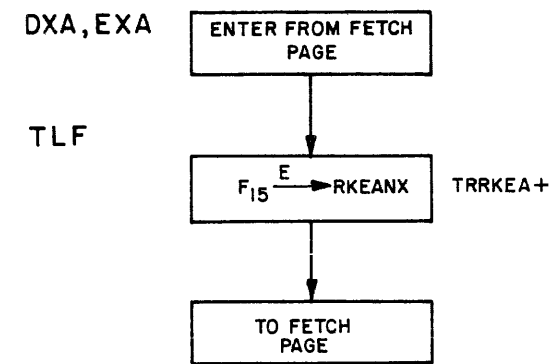
Mnemonic: CSA
 Description: (A₁)→(C), O→(A₁), (A₂₋₁₆)→(A₂₋₁₆)
 Instruction: Copy A Sign and Set A Sign Plus
 Type: Generic
 Execution Time(ns): 800
 Op. Code: 140320



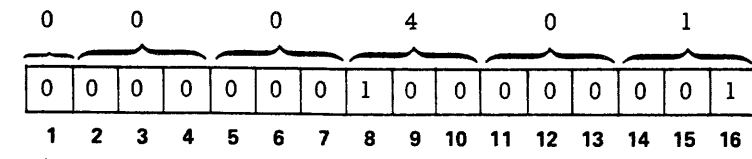
| Signal | Origin | Cycle | Instruction | Developing Signals |
|---------|-----------|-------|-------------|--------------------------------------|
| EIRKCB+ | 124-F2/F4 | TLF | | AGA12I--(RF12FF+)(RA01FF+A)(OPGGNA+) |
| TRRKCB+ | 124-F5 | TLF | | AGA09I--(OPGGNA+)(RF09FF+)(RF11FF-) |
| LRATE1+ | 122-G8 | TLF | | AGA12G--(OPGGNA+A)(RF12FF+) |

Extended Addressing Controls
 Type: Generic Execution Time(ns): 800

| Mnemonic | Op. Code | Instruction | Description |
|----------|----------|-----------------------------|-------------|
| DXA | 000011 | Disable Extended Addressing | 0 → RKEA |
| EXA | 000013 | Enable Extended Addressing | 1 → RKEA |

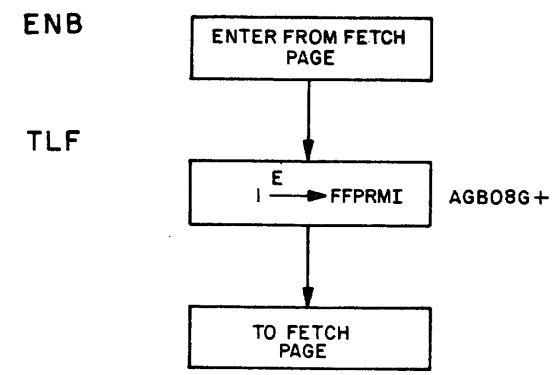


| Signal | Origin | Cycle | Instruction | Developing Signals |
|---------|---------|-------|-------------|-------------------------------------|
| TRKKEA+ | 124-F11 | TLF | | TRRKEA+=(RF14FF-)(OPGGNB+)(RF13FF+) |

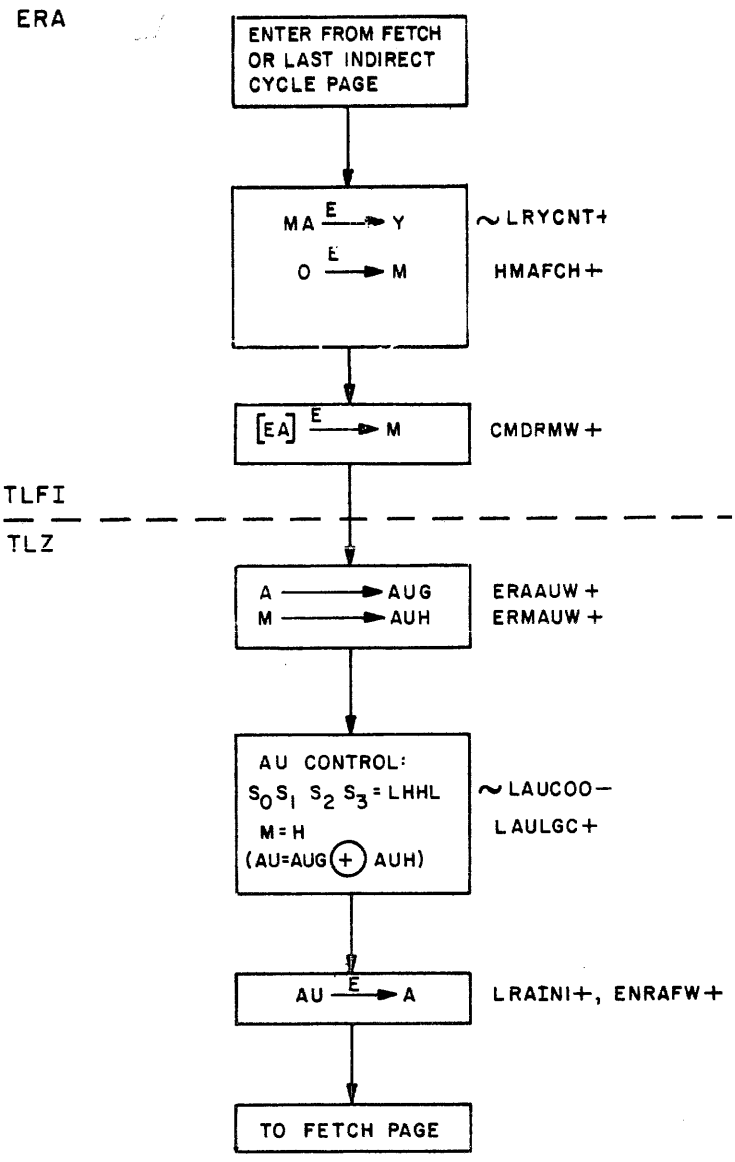
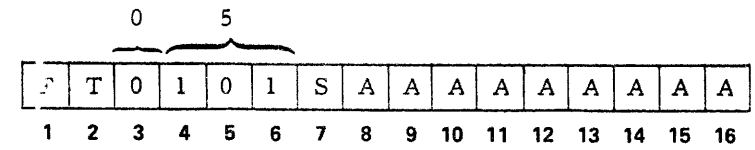


Mnemonic: ENB
 Instruction: Enable Program Interrupts
 Type: Generic
 Op. Code: 000401

Description: 1→Interrupt Permit FF
Execution Time(ns)
 800



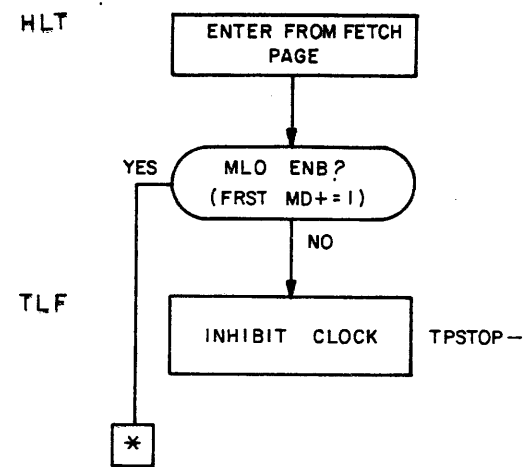
| Signal | Origin | Cycle | Instruction | Developing Signals |
|---------|--------|-------|-------------|----------------------------|
| AGB08G+ | 134-A3 | TLF | | AGB08G+=(RF08FF+)(OPGGB+A) |



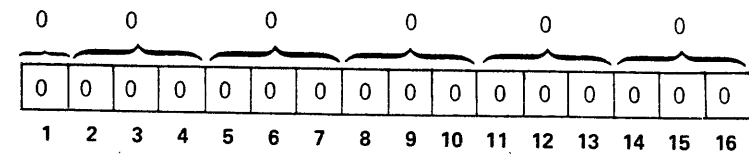
Mnemonic: ERA
 Instruction: Logical Exclusive - Or
 Type: MR
 Op. Code: 05

Description: $(A) \nabla [EA] \rightarrow (A)$
 Execution Time(ns)
 1600

| Signal | Origin | Cycle | Instruction | Developing Signals |
|---------|------------|-------|-------------|-------------------------------|
| ERAAUW+ | 127-D9/D11 | TLZ | | ALGAXZ-=(TLXYZC+)(OPGLGA+) |
| ERMAUW+ | 127-G4/G6 | TLZ | | AMAUXZ-=(TLXYZC+)(OPGMAU+) |
| LAUCOO- | 117-D4/E4 | TLZ | | ANEGXZ-=(TLXYZC+)(OPGNEG+) |
| LAULGC+ | 117-B1 | TLZ | | ALGAXZ-=(TLXYZC+)(OPGLGA+) |
| LRAINI+ | 122-F1/G1 | TLZ | | EAURAW-1=(HENHAU-R) (OPGMAU-) |
| ENRAFW+ | 122-E10 | TLZ | | ATAZZC-=(TLZCYC+A)(OPGTAZ+) |



* INTERRUPT WILL OCCUR IN PLACE OF NEXT FETCH



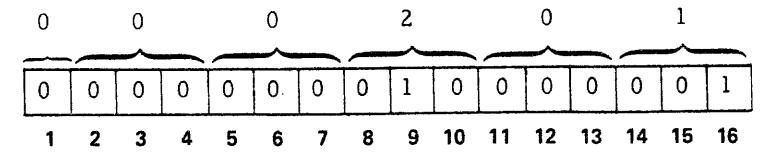
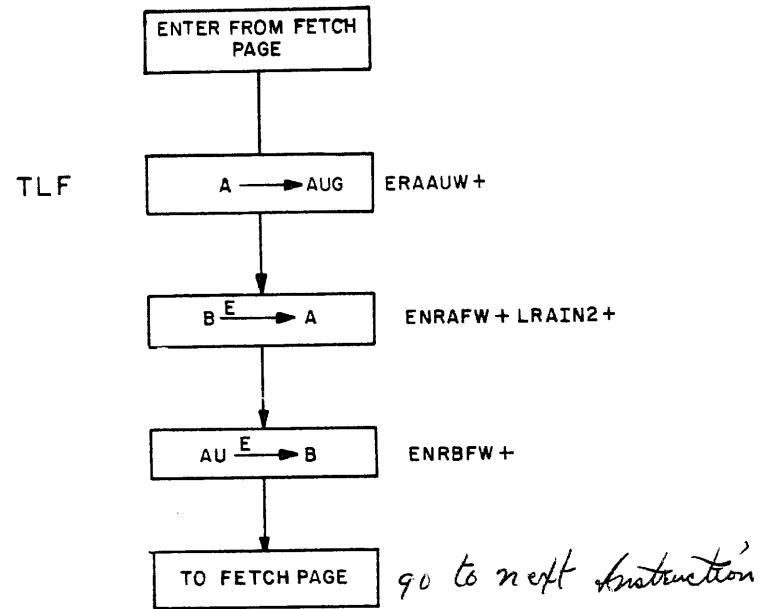
Mnemonic: HLT
 Instruction: Halt
 Type: Generic
 Op. Code: 000000

Description: Inhibit Clock
Execution Time(ns)
 800

| Signal | Origin | Cycle | Instruction | Developing Signals |
|---------|--------|-------|-------------|--|
| TPSTOP- | 126-F4 | TLF | | AGBNFG-=(TPSTART-)(FRSTMD-C)(OPGGBN+)(RF16FF-) |

Interchange the A and B Reg

IAB

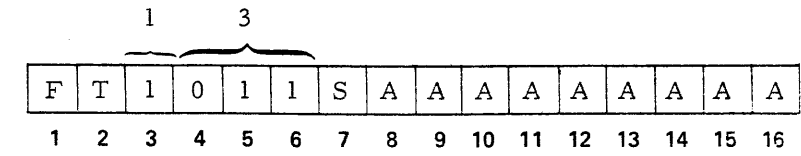
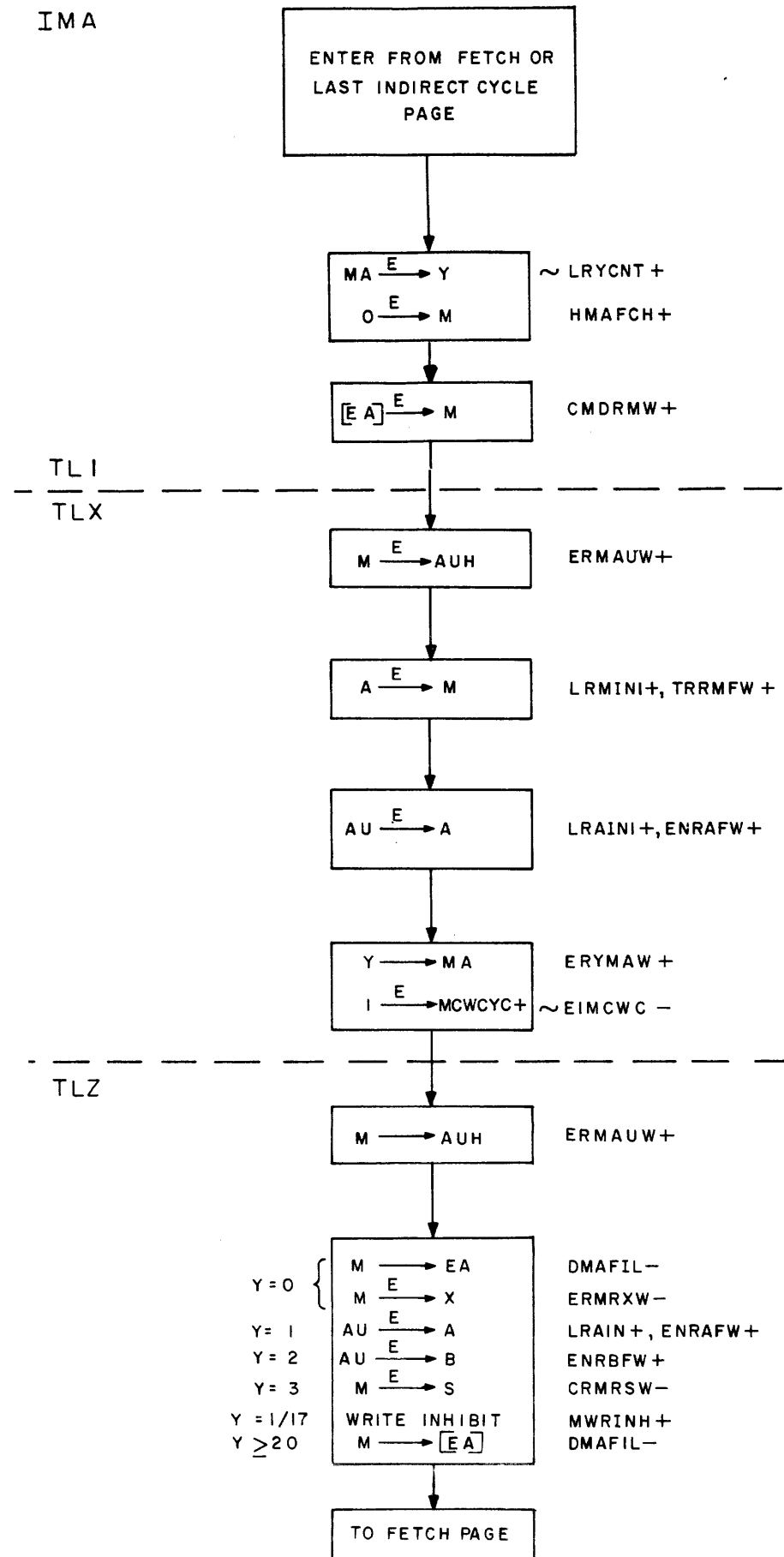


Mnemonic: IAB
 Instruction: Interchange A and B
 Type: Generic
 Op. Code: 000201

Description: (A) ↔ (B)
 Execution Time(ns)
 800

| Signal | Origin | Cycle | Instruction | Developing Signals |
|---------|---------|-------|-------------|---|
| ERAAUW+ | 127-D9 | TLF | | OPGEN-=(RF03FF-)(RF04FF-)(RF05FF-)(RF06FF-) |
| ENRBFW+ | 123-F3 | TLF | | AGB09G-=(OPGGB+A)(RF09FF+) |
| ENRAFW+ | 122-E10 | TLF | | AGB09G-=(OPGGB+A)(RF09FF+) |
| LRAIN2+ | 122-F3 | TLF | | AGB09G-=(OPGGB+A)(RF09FF+) |

IMA



Mnemonic: IMA

Instruction: Interchange Memory and A

Type: MR

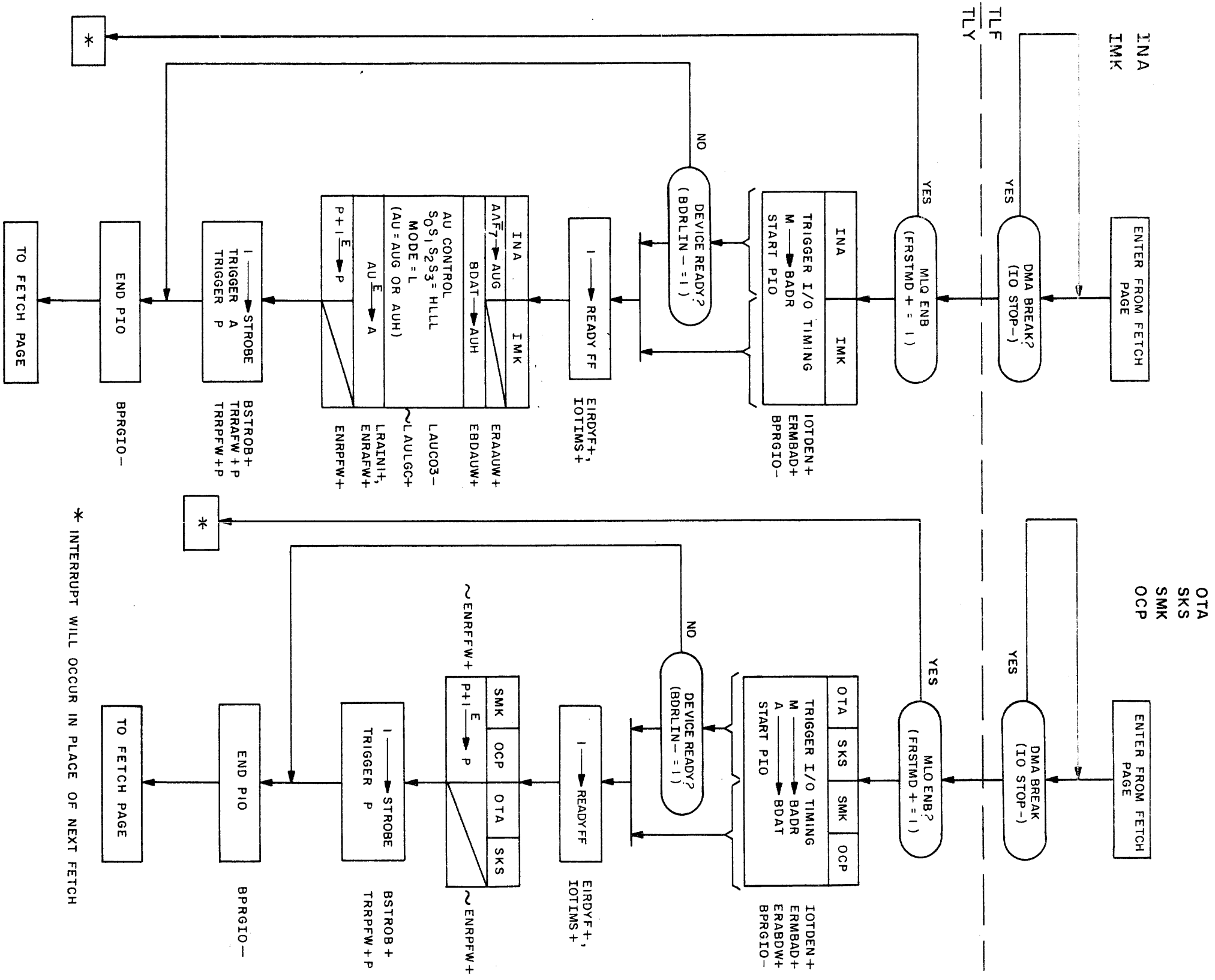
Op. Code: 13

Description: (A) ↔ [EA]

Execution Time(ns)

2400

| Signal | Origin | Cycle | Instruction | Developing Signals |
|---------|-----------|-------|-------------|--|
| ERMAUW+ | 127-G4/G6 | TLX | | AMAUXZ-=(TLXYZC+)(OPGMAU+) |
| LRAIN1+ | 122-F1/G1 | TLX | | EAURAW-1=(HENHAU-R)(OPGMAU-) |
| ENRAFW+ | 122-E10 | TLX | | AIMAXC-=(TCXCYC+)(OPNIMA+) |
| LRMINI+ | 128-F4 | TLX | | AIMAEZ-=(EITLZC+)(OPNIMA+) |
| ERYMAW+ | 129-G1 | TLX | | AYMAXC-=(TLXCYC+)(EMFMAW+)(OPGYMA+) |
| EIMCWC+ | 126-F1 | TLX | | AWRTEZ-=(EITLXC+)(OPGWRT+) |
| ERMAUW+ | 127-G4/F6 | TLZ | | MCWCYC-=(MCWCYC+) |
| DMAFIL- | 130-C10 | TLZ | | DMAFIL-=(HMASTO-)(QMALHO-)(QMA090+)(QMA1/8+) |
| ERMRXW- | 128-B2 | TLZ | | ACWCYO-=(MCWCYC+)(DRY000+) |
| LRAIN1+ | 122-F1/G1 | TLZ | | EAURAW-1=(HENHAU-R)(OPGMAU-) |
| ENRAFW+ | 122-E10 | TLZ | | ACWCY1-=(RY15FF-)(MCWCYC+)(RY16FF+)(DRYREG+) |
| ENRBFW+ | 123-F3 | TLZ | | ACWCY2-=(DRYREG+)(RY15FF+)(RY16FF-)(MCWCYC+) |
| CRMRSW- | 128-B3 | TLZ | | CRMRSW-=(MCWCYC+)(DRY003+)(TPDLYD+) |



* INTERRUPT WILL OCCUR IN PLACE OF NEXT FETCH

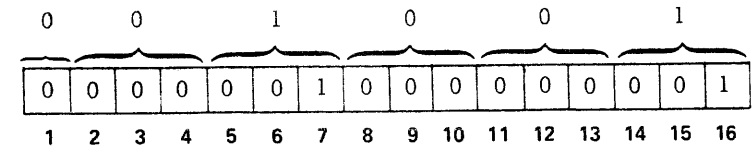
I/O Instructions
Type: I/O

Execution Time(ns): 3000

| Mnemonic | Op. Code | Instruction | Description |
|----------|-----------------|----------------------|---|
| OCP | 14 | Output Control Pulse | Set or Clear Specified Function of Addressed Device |
| SKS | 34 | Skip if Device Ready | If Specified Condition of Addressed Device is Ready, Skip Next Instruction; Otherwise Execute Next Instruction |
| INA | 54 A ≠ 20V24 | Input to A | Ready: $F_7=0$: I/O Bus V (A) \rightarrow (A) Skip next $F_7=1$: I/O Bus \rightarrow (A) Instruc. Not Ready: Execute Next Instruction |
| IMK | 54 A = 20V24 | Input Mask to A | I/O Bus \rightarrow (A) |
| OTA | 74 A ≠ 20V24 | Output from A | Ready: (A) \rightarrow I/O Bus, Skip Next Instruction Not Ready: Execute Next Instruction |
| SMK | 74 A = 20V24 | Set Mask | (A) \rightarrow I/O Bus |

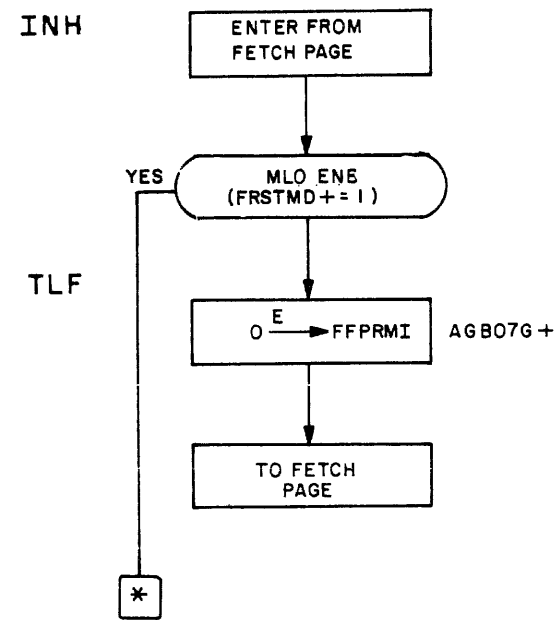
I/O Instructions

| Signal | Origin | Cycle | Instruction | Developing Signals |
|--------------|---------|-------|-------------|--|
| IOTDEN+ | 138-A1 | TLY | | AI/OFC-=(F ₇ RSTMD-)(TLFCYC+)(OPGI/O+) |
| ERMBAD+ | 138-G2 | TLY | | ERMBAD+A=(IOTIM1-) |
| BPRGI/O- | 138-E1 | TLY | | BPRGIO-=(IOTIM1+) |
| ERABDW+ | 138-G9 | TLY | | ERABDW-=(IOTIM1+)(DRFINA-) |
| EIRDYF+ | 138-C8 | TLY | | EIRDYF+=(IDRLIN-)(OPGXMK-)(BDRLIN-) (DRFOCP-K) |
| | | | | OPGXMK-=(RF01FF+)(RF12FF+)(RF13FF-) (RF15FF-)(RF16FF-)(OPGI/O)(TLFCYC+A) (RF11FF-) |
| | | | | DRFOCP-=(RF01FF-)(RF02FF-) |
| IOTIMS+ | 138-C4 | TLY | | IOTIMS+=(IOTIMS+) |
| ERAAUW+ | 127-D9 | TLY | | AINAY7-=(OPGXMK-)(RF07FF-)(INARDY+) |
| EBDAUW+ | 127-G1 | TLY | | INARDY-=(RF01FF+)(ORDYF+)(RF02FF-) |
| LAUC03- | 117-D1 | TLY | | INARDY-=(RF01FF+)(ORDYF+)(RF02FF-) |
| LRAIN1+ | 122-F1 | TLY | | INARDY-=(RF01FF+)(ORDYF+)(RF02FF-) |
| ENRAFW+ | 122-E10 | TLY | | INARDY-=(RF01FF+)(ORDYF+)(RF02FF-) |
| ENRPFW+ | 129-C9 | TLY | | AI/O2D-=(OPGXMK-)(ORDYF+)(DRFOCP-) |
| BSTROB+ | 138-E11 | TLY | | AI/OFL-=(IOTIM2+)(OPNCAL-)(OPNOTK-) (IORDYF+) |
| TRRAFW+ P | 122-G7 | TLY | | TRRAFW+P=(TPULSE+A)(HENTRA-P)(IOTIM2-) |
| TRRPFW+ P | 129-C11 | TLY | | TRRPFW+P=(IOTIMZ-)(HENTRP-P)(TPULSE+B) |



Mnemonic: INH
 Instruction: Inhibit Program Interrupts
 Type: Generic
 Op. Code: 001001

Description: 0 → Interrupt Permit FF
Execution Time(ns)
 800

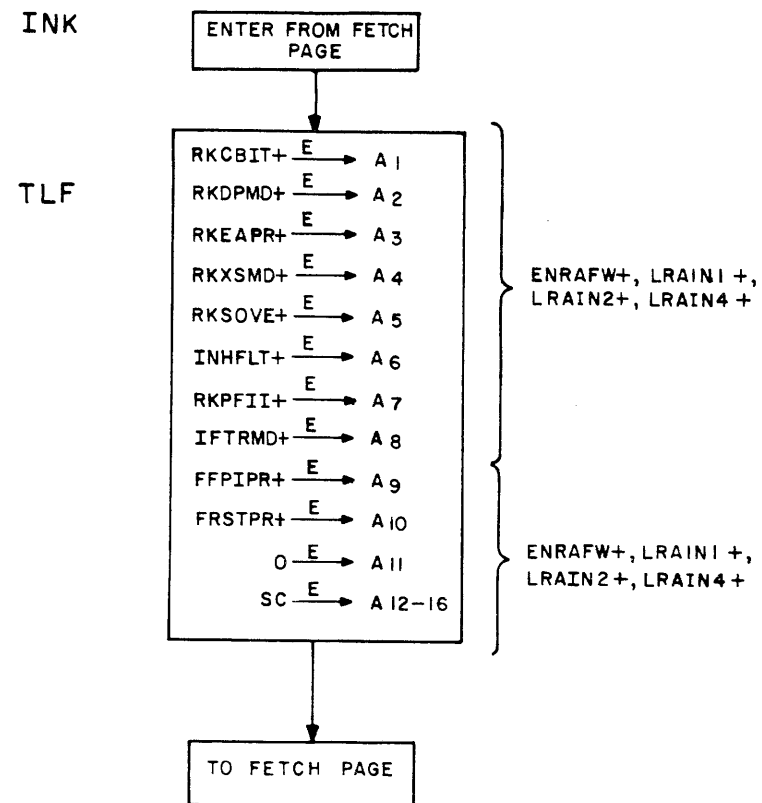


* INTERRUPT WILL OCCUR IN PLACE OF NEXT FETCH

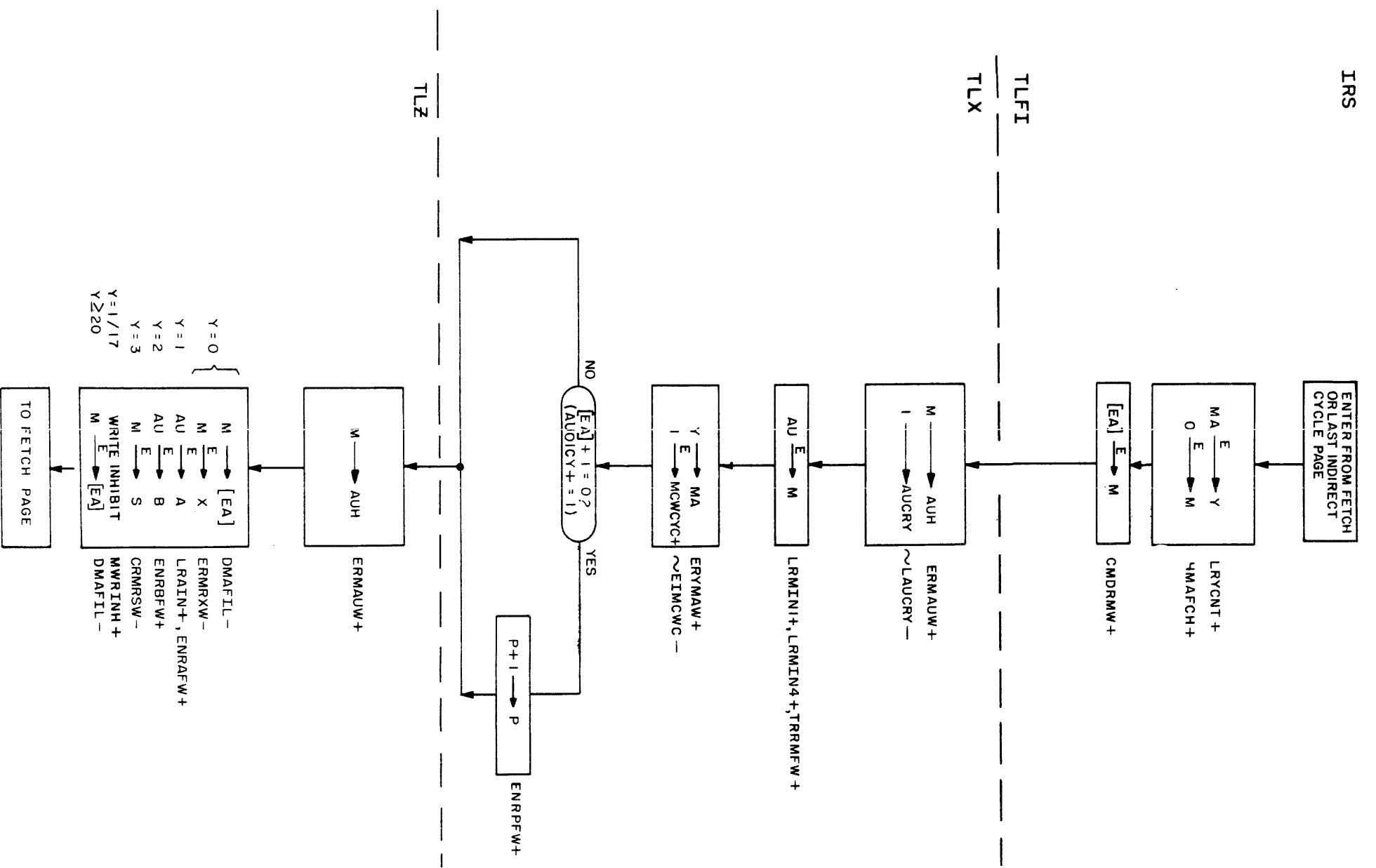
| Signal | Origin | Cycle | Instruction | Developing Signals |
|---------|--------|-------|-------------|-----------------------------|
| AGB07G+ | 134-A4 | TLF | | AGB07G-=(RF07FF+)(OPGGNB+A) |

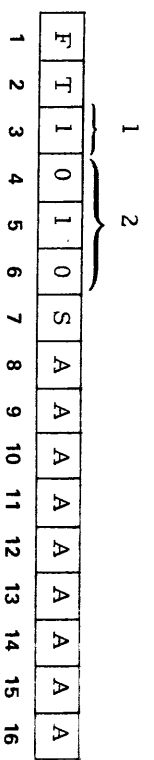
Mnemonic: INK
 Instruction: Input Keys
 Type: Generic
 Op. Code: 000043

Description: Keys \rightarrow (A₁₋₁₀), (SC) \rightarrow (A₁₁₋₁₆)
Execution Time(ns)
 800



| Signal | Origin | Cycle | Instruction | Developing Signals |
|---------|---------|-------|-------------|-----------------------------|
| ENRAFW+ | 122-E10 | TLF | | AGB11G-=(OPGGNB+A)(RF11FF+) |
| LRAIN1+ | 122-F1 | TLF | | AGB11G-=(OPGGNB+A)(RF11FF+) |
| LRAIN2+ | 122-F3 | TLF | | AGB11G-=(OPGGNB+A)(RF11FF+) |
| LRAIN4+ | 122-F5 | TLF | | AGB11G-=(OPGGNB+A)(RF11FF+) |
| LRAINH- | 122-E7 | TLF | | AGB11G-=(OPGGNB+A)(RF11FF+) |
| LRAINL- | 122-E8 | TLF | | RF10FF-=(RF10FF-) |





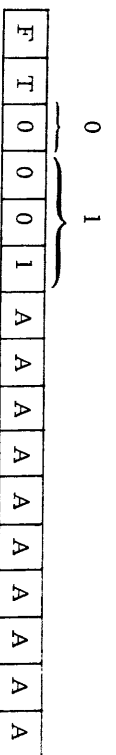
Mnemonic: IRS
 Instruction: Increment and Replace
 (and Skip)

Description: $[EA] + 1 \rightarrow [EA]$
 If EA + 1=0, Skip Next
 Instruction

Type: MR
 Op. Code: 12

Execution Time(ns)
 2400

| Signal | Origin | Cycle | Instruction | Leveloping Signals |
|----------|-----------|-------|-------------|---|
| ERMAUW+ | I27-G4/G6 | TLX | | AMAUXXZ-=(TLXYYZC+)(OPGMAU+) |
| LAUCRY- | I17-C8 | TLX | | ACRYXC-=(TLXCYC+)(OPGCRY+) |
| LRMINI+ | I28-F4 | TLX | | AIRSX C-=(TLXCYC+A)(OPNIRS+) |
| LRMIN4+ | I28-F7 | TLX | | AIRSX C-=(TLXCYC+A)(OPNIRS+) |
| ERYMAW+ | I29-G1 | TLX | | AYMAXC-=(TLXCYC+)(EMFMAW+)(OPGYMA+) |
| EIMCWC+ | I26-F1 | TLX | | AWRTEZ-=(EITLZC+)(OPGWRT+) |
| ENRPFW+ | I29-C9 | TLX | | AIR SX1-=(RTC/ML-)(OPNIRS+)(TLXCYC+)(AU01C) |
| ERMAUW+ | I27-G4/G6 | TLZ | | MCWCYC-=(MCWCYC+) |
| DMAFIL- | I30-C10 | TLZ | | DMAFIL-=(HMASTO-)(QMALHO-)(QMAA090+)(QMA1/8+) |
| ERMRXW- | I28-B2 | TLZ | | ACWCYC0-=(MCWCYC+)(DRY000+) |
| LRAINI+ | I22-F1/G1 | TLZ | | EAURAW-1=(HENHAU-R)(OPGMAU-) |
| ENRAF W+ | I22-E10 | TLZ | | ACWCY1-=(RY15FF-)(MCWCYC+)(RY16FF+)(DRYREG) |
| ENRBF W+ | I23-F3 | TLZ | | ACWCY2-=(DRYREG+)(RY15FF+)(RY16FF-)(MCWCYC+) |
| CRMRSW+ | I28-B3 | TLZ | | CRMRSW-=(MCWCYC+)(DRY003+)(TPDLYD+) |

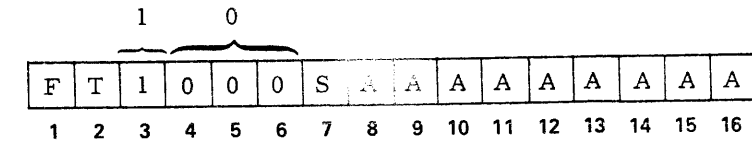


Mnemonic: JMP
 Instruction: Unconditional Jump
 Type: MR
 Op. Code: 01

Description: EA → MA
 EA + 1 → (P)
 Execution Time(ns)
 800

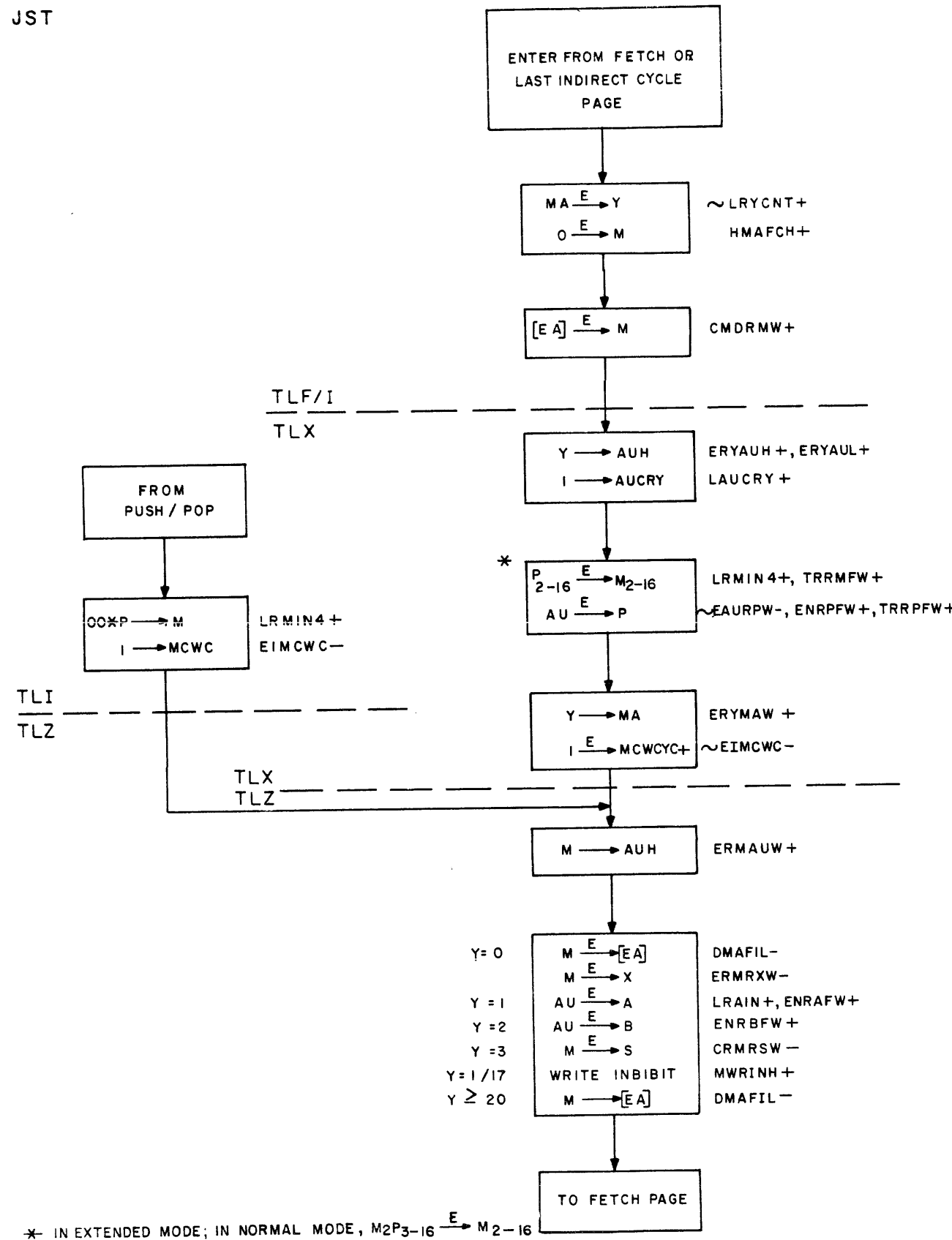
| Signal | Origin | Cycle | Instruction Addressing Mode | Developing Signals |
|---------|--------|-------|-----------------------------|--|
| ERJMAH+ | 129-G6 | TLF | NRM. EXT. | A+++GX-=(EAUMAW-)(RF07FF-)(OPGGEN-) (TLF/MA+) |
| ERYMAH+ | 129-G2 | TLF | | ERYMAH+=(TLF/MA+)(OPGGEN-)(EAUMAW-) (RF07FF+) |
| ERMMAH+ | 129-G4 | TLF | NRM. EXT. | ERMMAH+=(EMFMAW+)(AM/RFI+)(EAUMAW-) |
| ERXAUW+ | 127-D1 | TLF | | AM/RFI-=(OPNLSX-)(AM/RFI+)(RM02FF+) (RKEAMD-) |
| ERJAUH+ | 127-G2 | TLF | NRM. EXT. | AM/RFI-=(OPNLSX-)(RF02FF+)(RKEAMD+H) (RM01FF-)(AM/RFI+) |
| ERYAUH+ | 127-G8 | TLF | | A+++GO-=(TLFCYC+)(RF07FF-)(OPGGEN-) (HENHAU-R)(FITBK-) |
| ERMAUL+ | 127-G3 | TLF | NRM. EXT. | A+++G2-=(TLFCYC+)(OPGGEN-)(RF07FF+) (HENHAU-R) |
| LAUCRY+ | 117-B8 | TLF | | ERMAUL+=(HENHAU-R)(OPGI/O-)(OPGGEN-) (TLF/IC+) |
| EAURPW- | 129-C7 | TLF | NRM. EXT. | AJMPWJ-=(ERXAUW-)(OPNJMP+)(JMPDEL-) |
| ENRPFW+ | 129-C9 | TLF | | AJMPFI-=(TLF/IC+)(OPNJMP+) |
| EAUMAW- | 129-E7 | TLF | NRM. EXT. | OPNJMP-=(RF03FF-)(RF04FF-)(RF05FF-) (RF06FF+) |
| EITLIC- | 119-D3 | TLF | | AMRNDX-=(EJXMAW+)(ERXAUW+) |
| EITLYC- | 119-D6 | TLF | NRM. EXT. | EITLIC-=(TLI8TH-)(DRMIND+)(ERJ/MI+) (AM/RFI+) |
| ERMMAH+ | 129-G3 | TLI | | EITLYC-=(LAUCRY-)(RM01FF-Y)(OPNJMP+) |
| ERMMAH+ | 129-G4 | TLI | NRM. EXT. | ERMMAH+=(TLICYC+)(EMFMAW+)(EAUMAW-) |
| ERXAUW+ | 127-D1 | TLI | | ERMMAH+=(EMFMAW+)(AM/RFI+)(EAUMAW-) (RKEAMD-) |
| ERMAUW+ | 127-G4 | TLI | NRM. EXT. | AM/RFI-=(OPNLSX-)(AM/RFI+)(RM02FF+) |
| LAUCRY+ | 117-B8 | TLI | | AM/RFI-=(OPNLSX-)(RF02FF+)(RKEAMD+H) (RM01FF-)(AM/RFI+) |
| EAURPW- | 129-C7 | TLI | NRM. EXT. | TLICYC-=(TLICYC-) |
| ENRPFW+ | 129-C9 | TLI | | AJMPWJ-=(ERXAUW-)(OPNJMP+)(JMPDEL-) |
| EAUMAW- | 129-E7 | TLI | NRM. EXT. | AJMPFI-=(TLF/IC+)(OPNJMP+) |
| EITLYC- | 119-D6 | TLI | | OPNJMP-=(RF03FF-)(RF04FF-)(RF05FF-) (RF06FF+) |
| EITLIC- | 119-D3 | TLI | NRM. EXT. | AMRNDX-=(EJXMAW+)(ERXAUW+) |
| ERPMAW+ | 129-D6 | TLY | | EITLYC-=(LAUCRY-)(RM01FF-Y)(OPNJMP+) |
| EMFMAW+ | 129-E1 | TLY | NRM. EXT. | EITLIC-=(TLI8TH-)(DRMIND+)(ERJ/MI+) (AM/RFI+) |
| ENPFW+ | 129-C9 | TLY | | AJMPYC-O=(TLICYC+A)(OPNJMP+) |
| | | | NRM. EXT. | EMFMAW-=(LARQEN+)(ERRMAL-)(HENHAU-R) |
| | | | | OPNJMP-=(RF03FF-)(RF04FF-)(RF05FF-) (RF06FF) |

JST

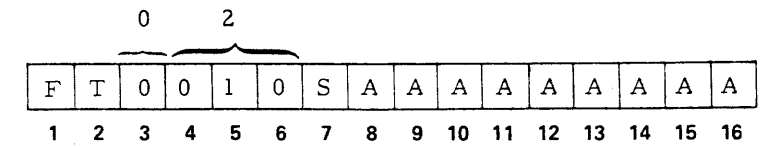


Mnemonic: JST
 Instruction: Jump and Store
 Type: MR
 Op. Code: 10

Description: (P) → [EA], [EA] + 1 → (P)
 Execution Time(ns)
 2400

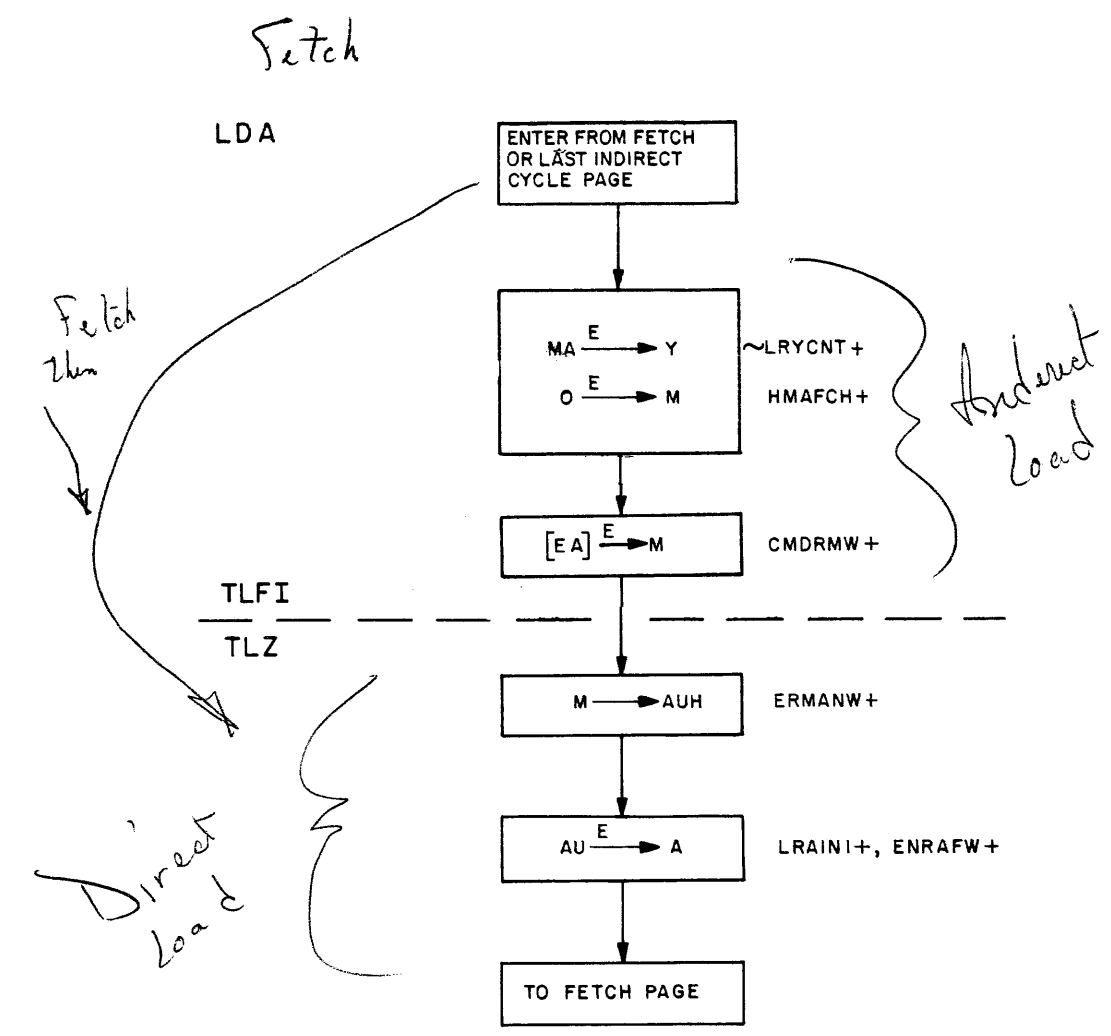


| Signal | Origin | Cycle | Instruction | Developing Signals |
|---------|---------|-------|-------------|--|
| ERYMAW+ | 129-G1 | TLF | | AHLDRP-=(HOLDRP+L)(EMFMAW+) |
| LRMIN4+ | 128-F7 | TLF | | AJSTXZ-=(E!TLZC+)(OPNJST+) |
| EIMCWC+ | 126-F1 | TLF | | AWRTEZ-=(E!TLZC+)(OPGWRT+) |
| ERYAUH+ | 127-G8 | TLX | | AJSTXC-0=(TLXCYC+)(OPNJST+)(UMLPRM+) |
| ERYAUL+ | 127-G9 | TLX | | AJSTXC-0=(TLXCYC+)(OPNJST+)(UMLPRM+) |
| LAUCRY+ | 117-B9 | TLX | | ACRYXC-=(TLXCYC+)(OPGCRY+) |
| EAURPW- | 129-C7 | TLX | | AJSTXC-0=(TLXCYC+)(OPNJST+)(UMLPRM+) |
| ENRPFW+ | 129-C9 | TLX | | AJSTXC-0=(TLXCYC+)(OPNJST+)(UMLPRM+) |
| ERYMAW+ | 129-G1 | TLX | | AYMAXC-=(TLXCYC+)(EMFMAW+)(OPGYMA+) |
| LRMIN4+ | 128-F7 | TLX | | AJSTXZ-=(E!TLZC+)(OPNJST+) |
| EIMCWC+ | 126-F1 | TLX | | AWRTEZ-=(E!TLZC+)(OPGWRT+) |
| DMAFIL- | 130-C10 | TLZ | | DMAFIL-=(HMASTO-)(QMALHO-)(QMA090+)(QMA1/8+) |
| ERMWX- | 128-B2 | TLZ | | ACWCY0-=(MCWCYC+)(DRY0004+) |
| LRAIN+ | 122-F1 | TLZ | | EAURAW-1=(OPGMAU-)(HENHAU-R) |
| ENRAFW+ | 122-E10 | TLZ | | ACWCY1-=(RY15FF-)(MCWCYC+)(RY16FF+)(DRYREG+) |
| ENRBFW+ | 123-F3 | TLZ | | ACWCY2-=(DRYREG+)(RY15FF+)(RY16FF-)(MCWCYC+) |
| CRMRSW- | 128-B3 | TLZ | | ADRY03-=(MCWCYC+)(DRY003+)(TPDLYD+) |

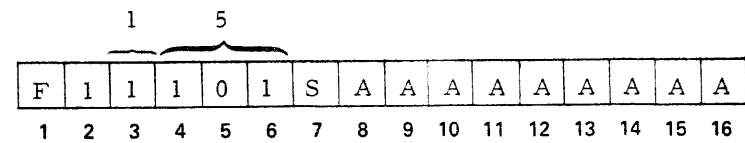


Mnemonic: LDA
 Instruction: Load A
 Type: MR
 Op. Code: 02

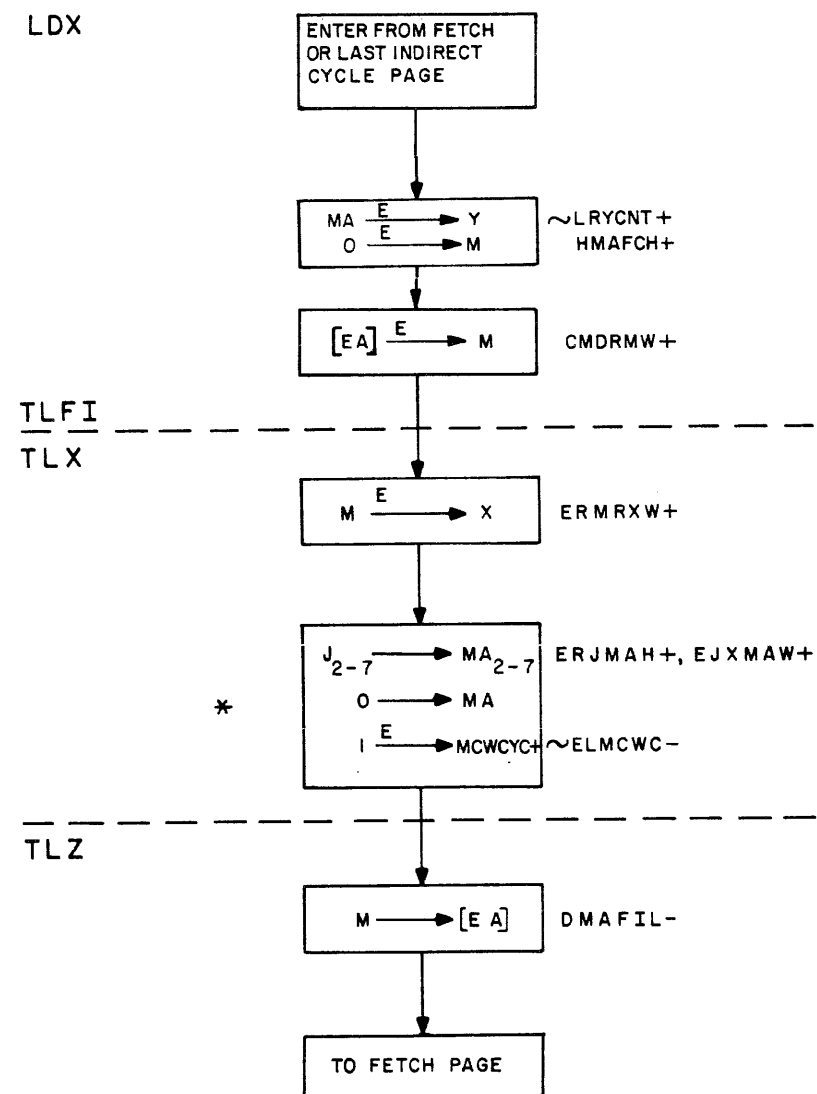
Description: $[EA] \rightarrow (A)$
 Execution Time(ns)
 1600



| Signal | Origin | Cycle | Instruction | Developing Signals |
|---------|-----------|-------|-------------|------------------------------|
| ERMAUW+ | 127-G4/G6 | TLZ | | AMAUXZ--=(TLXYZC+)(OPGMAU+) |
| LRAINI+ | 122-F1/G1 | TLZ | | EAURAW-1=(HENHAU-R)(OPGMAU-) |
| ENRAFW+ | 122-E10 | TLZ | | ATAZZC--=(TLZCYC+A)(OPGTAZ+) |



LDX



*: $J_{2-7} \rightarrow MA_{2-7}$ ONLY IF HSA/BSR IS INSTALLED;
 OTHERWISE $O \rightarrow MA_{2-7}$

Mnemonic: LDX

Instruction: Load X

Type: MR

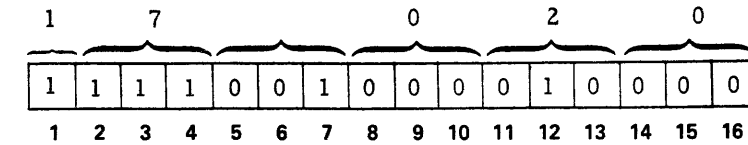
Op. Code: 15, BIT 2 = 1

Description: $[EA] \rightarrow (X)$, $[EA] \rightarrow [O]$

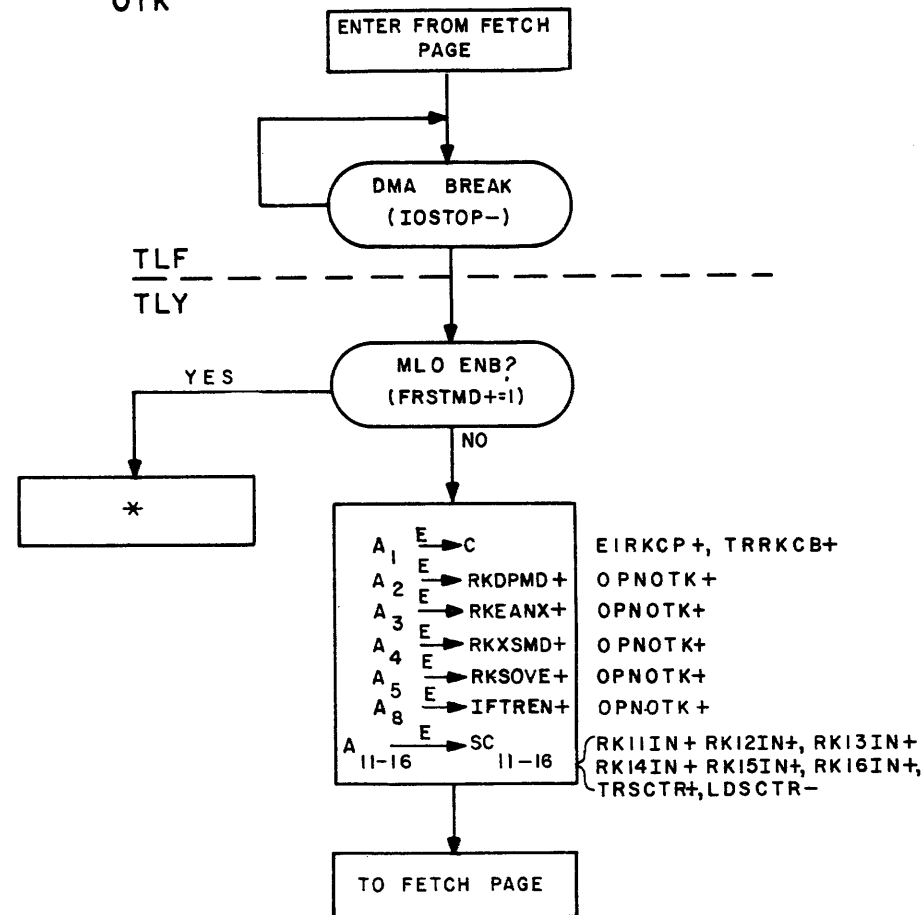
Execution Time(ns)

2400

| Signal | Origin | Cycle | Instruction | Developing Signals |
|---------|---------|-------|-------------|--|
| ERMRXW+ | 128-B2 | TLX | | OPNLDX-=(OPNLDX+) |
| ERJMAH+ | 129-G6 | TLX | | ALSXXC-=(OPNLSZ+)(TLXCYC+) |
| EJXMAW+ | 129-D4 | TLX | | EJXMAW+=(IARQEN+)(ERRMAL-) |
| E1MCWC+ | 126-F1 | TLX | | AWRTEZ-=(E1TLZC+)(OPGWRT+) |
| DMAFIL- | 130-C10 | TLZ | | DMAFIL-=(HMASTO-)(QMALHO-)(QMA090+)(QMA1/8+) |



OTK



* INTERRUPT WILL OCCUR IN PLACE OF NEXT FETCH

Mnemonic: OTK

Instruction: Output Keys

Type: I/O

Op. Code: 74, F = 10, A = 20

Description: (A) → Keys

Execution Time(ns)

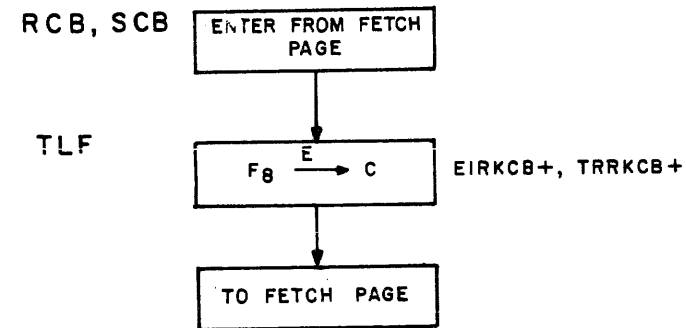
3000

| Signal | Origin | Cycle | Instruction | Developing Signals |
|---------|---------|-------|-------------|--|
| EIRKCB+ | 124-F2 | TLY | | EA1KCB-=(OPNOTK+)(RA01FF+A) |
| TRRKCB+ | 124-F5 | TLY | | OPNOTK-=(RF09FF)(RF08FF-)(RF07FF+)(RF02FF+)(OPGXMK+)(RF10FF-)(RF14FF-)(FRSTMD-C) |
| OPNOTK+ | 138-C9 | TLY | | OPNOTK+=(OPNOTK+)(OPNOTK-) |
| IFTREN+ | 125-D11 | TLY | | IFTREN+=(RA08FF+)(OPNOTK+) |
| RK11IN+ | 125-C1 | TLY | | RK11IN+ = (OPNOTK+)(RA11FF+) |
| RK12IN+ | 125-C3 | TLY | | RK12IN+=(OPNOTK+)(RA12FF+) |
| RK13IN+ | 125-C5 | TLY | | RK13IN+=(RA13FF+)(OPNOTK+) |
| RK14IN+ | 125-C7 | TLY | | RK14IN+=(RA14FF+)(OPNOTK+) |
| RK15IN+ | 125-C8 | TLY | | RK15IN+=(OPNOTK+)(RA15FF+) |
| RK16IN+ | 125-C9 | TLY | | RK16IN+=(OPNOTK+)(RA16FF+) |
| TRSCTR+ | 125-D2 | TLY | | TRSCTR+=(OPGSHF-)(OPGM/D-)(OPNOTK-)(AGB10G-) |
| LDSCTR+ | 125-D4 | TLY | | LDSCTR-=(OPNOTK+) |

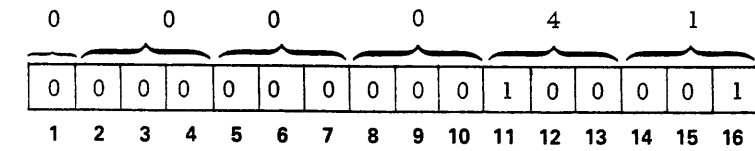
C-Bit Controls
Type: Generic

Execution Time(ns): 800

| Mnemonic | Op. Code | Instruction | Description |
|----------|----------|-------------|-------------|
| RCB | 140200 | Clear C Bit | 0 → C |
| SCB | 140600 | Set C Bit | 1 → C |



| Signal | Origin | Cycle | Instruction | Developing Signals |
|---------|--------|-------|-------------|-------------------------------------|
| EIRKCB+ | 124-F2 | TLF | | AGA08G-=(OPGGNA+A)(RF08FF+) |
| TRRKCB+ | 124-F5 | TLF | | AGA091-=(OPGGNA+)(RF09FF+)(RF11FF-) |



Mnemonic: SCA

Instruction: Shift Count to A

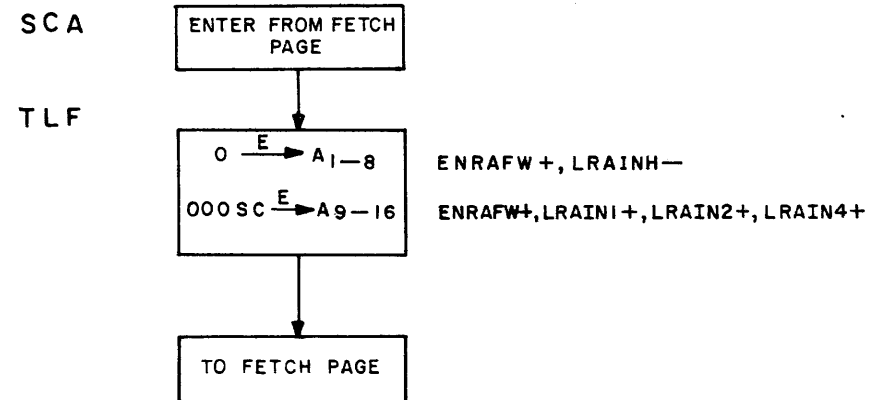
Type: Generic

Op. Code: 000041

Description: $0 \rightarrow (A_{1-10}), (SC) \rightarrow (A_{12-16})$

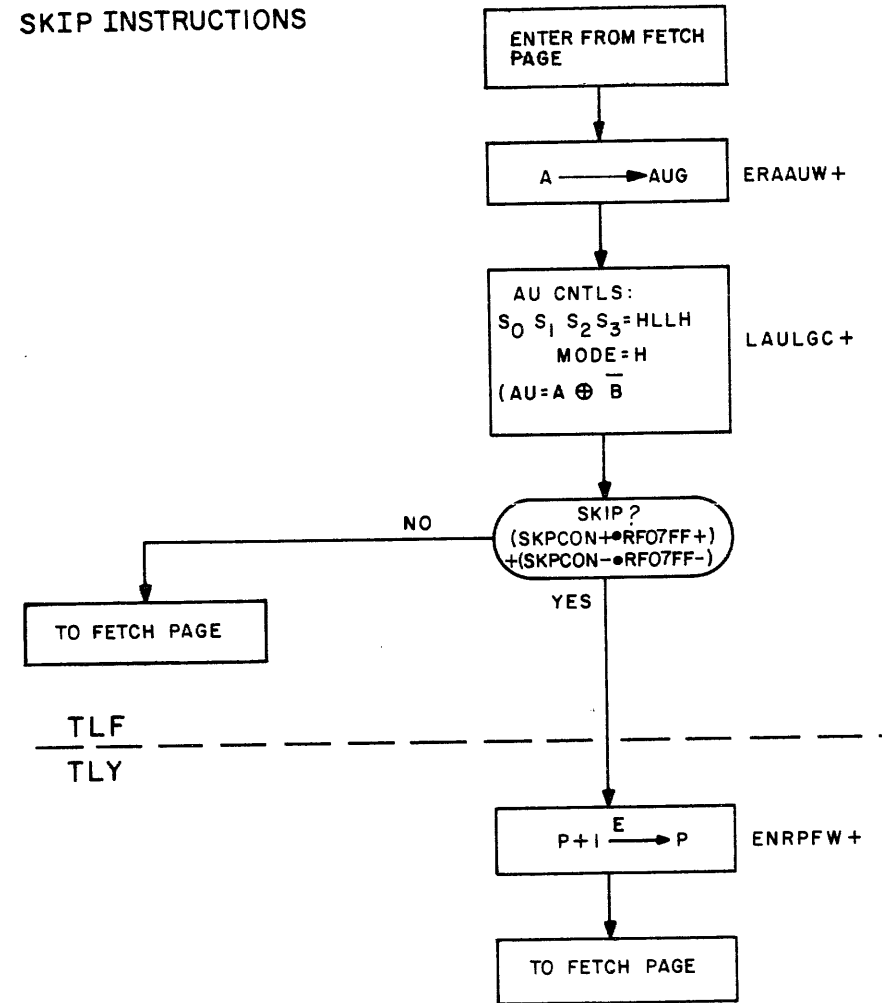
Execution Time(ns)

800



| Signal | Origin | Cycle | Instruction | Developing Signals |
|----------|---------|-------|-------------|--------------------------------------|
| ENRAFW+ | 122-F10 | TLF | | AGB11G-=(OPGGB+A)(RF11FF+) |
| LRRAIN1+ | 122-F1 | TLF | | AGB11G-=(OPGGB+A)(RF11FF+) |
| LRRAIN2+ | 122-F3 | TLF | | AGB11G-=(OPGGB+A)(RF11FF+) |
| LRRAIN4+ | 122-F5 | TLF | | AGB11G-=(OPGGB+A)(RF11FF+) |
| LRRAINL- | 122-E8 | TLF | | LRRAINL-=(RF11FF+)(OPGGB+A)(RF10FF-) |

SKIP INSTRUCTIONS



Conditional Skips
 Instruction: Skip if Condition Satisfied
 Type: Generic
 Mnemonics & Op. Codes: See Table 2

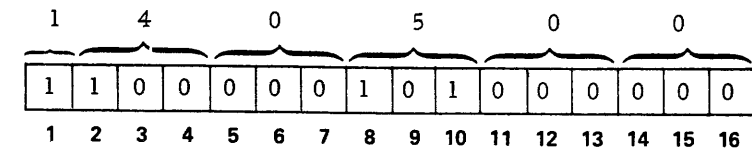
Description: Skip Condition not Met: Execute next Instruction
 Skip Condition Met: Skip Next Instruction
 Execution Time(ns)
 800, 1150

| Signal | Origin | Cycle | Instruction | Developing Signals |
|---|--------|-------|-------------|--|
| ERAAUW+ | 127-D9 | TLF | | OPGGEN-=(RF03FF-)(RF04FF-)(RF05FF-)(RF06FF-) |
| LAULGC+ | 117-B1 | TLF | | OPGSKP-=(RF02FF+)(OPGGEN+)(RF01FF+)(HAU/MA-) |
| EITLYC+ | 119-F7 | TLF | | ASKPFC-=(RF07FF-)(TLFCYC+)(8KPCON-)(OPGSKP+) ASKPFE-=(OPGSKP+)(SKPOON+)(RF07FF+)(TLFCYC-) |
| ENRPFW+ | 129-C9 | TLY | | OPGSKP-=(RF02FF+)(OPGGEN+)(RF01FF+)(HAU/MA-) |
| *See Table 2-1 for the developing signals of SKPCON+. | | | | |

Table 2-1. Developing Signals of SKPCON+

| Mnemonic | Condition Tested | Op. Code* | Location | Development |
|----------|--------------------|-----------|-----------|---|
| SKP/NOP | 0=0 | 10x000 | 119-B5 | SKPCON+ = 0 |
| SRC/SSC | c=0 | 10x001 | 119-B11 | SKPCON+6=(RF16FF+)(RKCBIT+) |
| SR4/SS4 | ss4=0 | 10x002 | 119-B10 | SKPCON+5=(RF15FF+)(HSENS4+) |
| SR3/SS3 | ss3=0 | 10x004 | 119-B09 | SKPCON+4=(HSENS3+)(RF14FF+) |
| SR2/SS2 | ss2=0 | 10x010 | 119-B08 | SKPCON+3=(RF13FF+)(HSENS2+) |
| SR1/SS1 | ss1=0 | 10x020 | 119-B07 | SKPCON+2=(RF12FF+)(HSENS1+) |
| SSR/SSS | All ss=0 | 10x036 | 119-B7/10 | SKPCON+X=(RF15FF+)(HSENS4+) V(HSENS3)(RF14FF+)V(RF13FF+)(HSENS2+) V(RF12FF+)(HSENS1+) |
| SZE/SNZ | A=0 | 10x040 | 119-B5 | SKPCON+=(RF11FF+)(AUFFFF-) |
| SLZ/SLN | A ₁₆ =0 | 10x100 | 119-B5 | SKPCON+=(RF10FF+)(RA16FF+) |
| SPL/SMI | A ₁ =0 | 10x400 | 119-B5 | SKPCON+=(RF08FF+)(RA01FF+A) |

*: x=0: Skip if Condition True
 x=1: Skip if Condition False



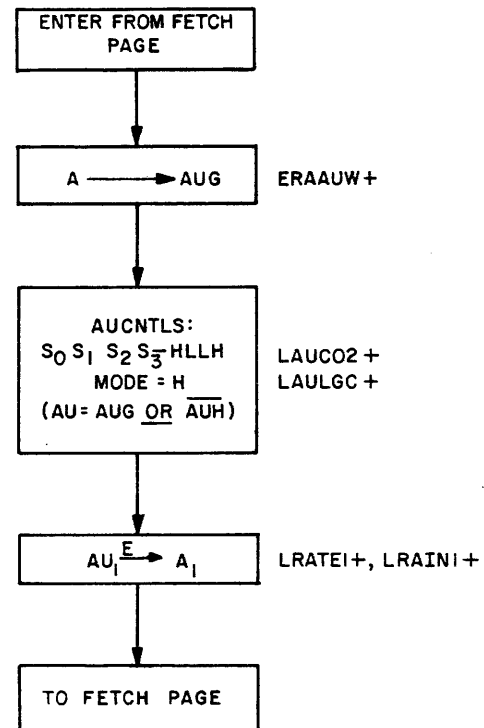
Mnemonic: SSM
 Instruction: Set A Sign Minus
 Type: Generic
 Op. Code: 140500

Description: $1 \rightarrow (A_1), (A_{2-16}) \rightarrow (A_{2-16})$

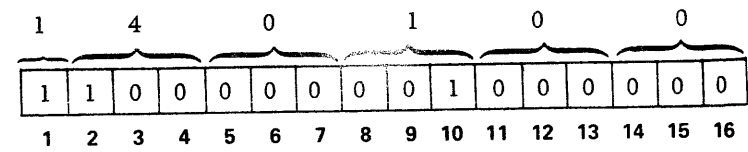
Execution Time(ns)
 800

SSM

TLF



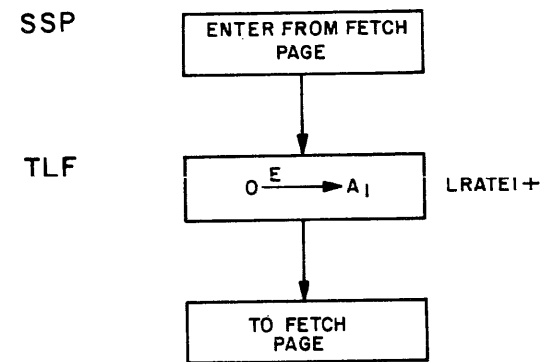
| Signal | Origin | Cycle | Instruction | Developing Signals |
|---------|--------|-------|-------------|--|
| ERAAUW+ | 127-D9 | TLF | | OPGGEN-=(RF03FF-)(RF04FF-)(RF04FF-)(RF06FF-) |
| LAUCO2+ | 117-D3 | TLF | | AGA10G-=(RF10FF+)(RF08FF+)(OPGGNA+A) |
| LAULGC+ | 117-B1 | TLF | | AGANFC-=(OPGGNA+A)(TLYCYC-)(RF09FF-) |
| LRATEI+ | 122-G8 | TLF | | AGANFC-=(OPGGNA+A)(TLYCYC-)(RF09FF-) |
| LRAINI+ | 122-F1 | TLF | | AGA08G-=(OPGGNA+A)(RF08FF+) |



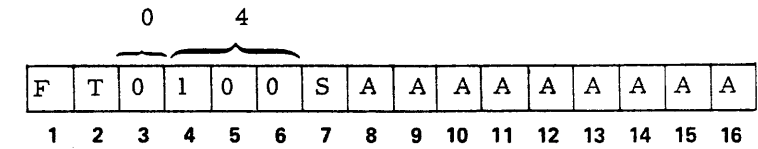
Mnemonic: SSP
 Instruction: Set A Sign Plus
 Type: Generic
 Op. Code: 140100

Description: $0 \rightarrow (A_1), (A_{2-16}) \rightarrow (A_{2-16})$

Execution Time(ns)
 800

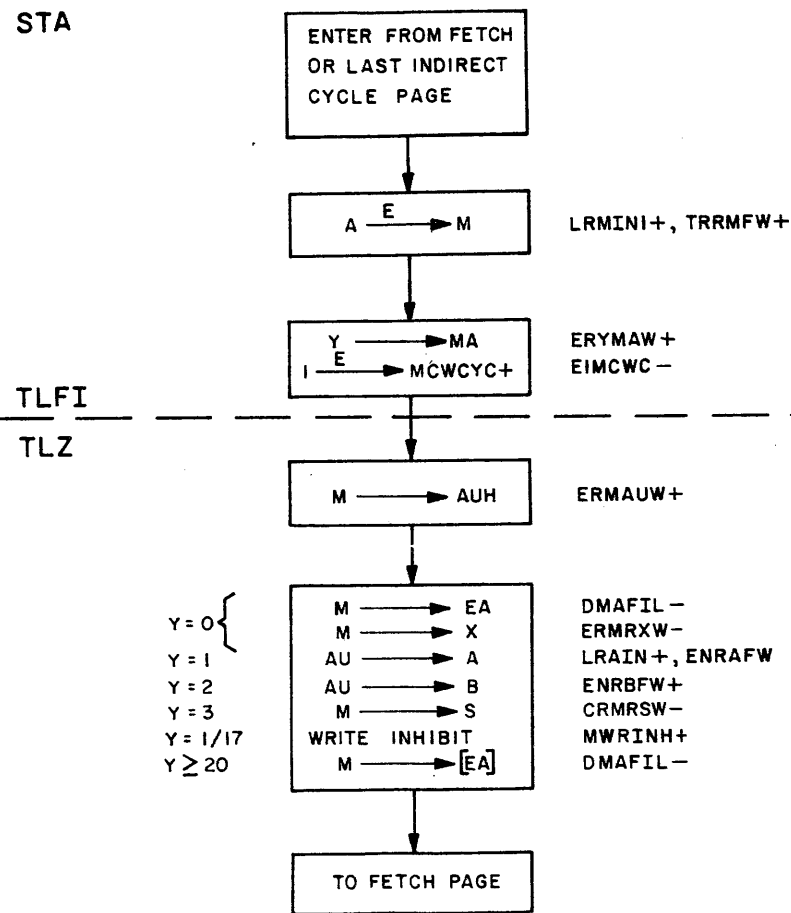


| Signal | Origin | Cycle | Instruction | Developing Signals |
|---------|--------|-------|-------------|-------------------------------------|
| LRATE1+ | 122-G8 | TLF | | AGANFC--(OPGGNA+A)TLYCYC-)(RF09FF-) |

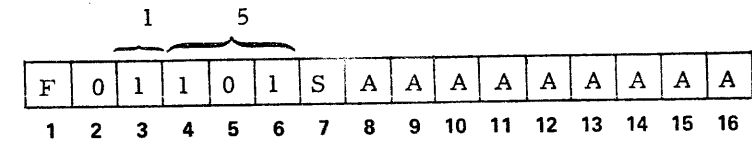


Mnemonic: STA
 Instruction: Store A
 Type: MR
 Op. Code: 04

Description: (A) → [EA]
 Execution Time
 1600



| Signal | Origin | Cycle | Instruction | Developing Signals |
|---------|-----------|-------|-------------|---|
| LRMINI+ | 128-F4 | TLFI | | ASTAEZ--=(EITLZC+)(OPNSTA+) |
| ERYMAW+ | 129-G1 | TLFI | | EMFMAW--=(IARQEN+)(ERRMAL-)(HENHAU-R) |
| EIMCWC+ | 126-F1 | TLFI | | AWRTEZ--=(EITLZC+)(OPGWRT+) |
| ERMAUW+ | 127-G4/G6 | TLZ | | MCWCYC--=(MCWCYC+) |
| DMAFIL- | 130-C10 | TLZ | | DMAFIL--=(HMASTO-)(QMALHO-)(QMA090+)(QMA1/8+) |
| ERMRXW- | 128-B2 | TLZ | | ACWCYO--=(MCWCYC+)(DRYOOO+) |
| LRAIN+ | 122-F1/G1 | TLZ | | EAURAW-0=(MCWCYC-) |
| ENRAFW+ | 122-E10 | TLZ | | ACWCY1--=(RY15FF-)(MCWCYC+)(RY16FF+)(DRYREG) |
| ENRBFW+ | 123-F3 | TLZ | | ACWCY2--=(DRYREG+)(RY15FF+)(RY16FF-)(MCWCYC+) |
| CRMRSW- | 128-B3 | TLZ | | CRMRSW--=(MCWCYC+)(DRY003+)(TPDLYD+) |



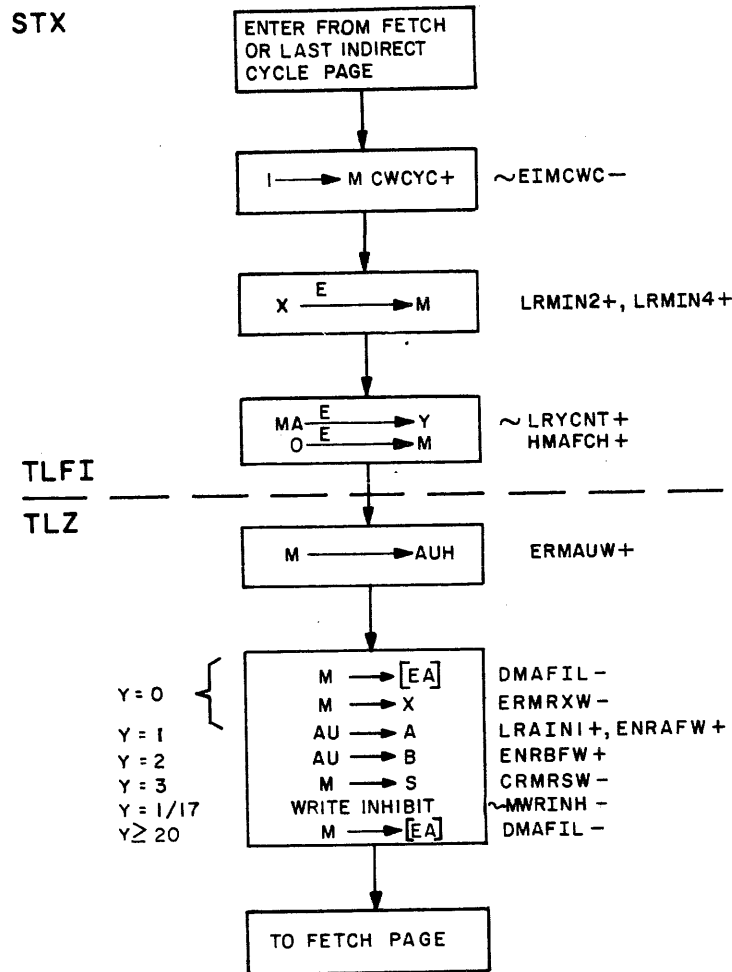
Mnemonic: STX
 Instruction: Store X
 Type: MR
 Op. Code: 15, BIT 2 = 0

Description: (X) → [EA]

Execution Time (ns)

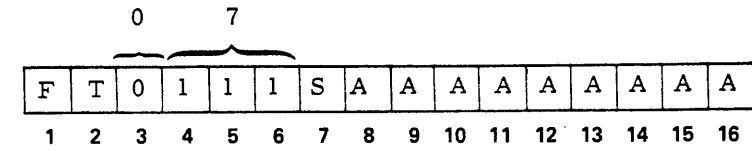
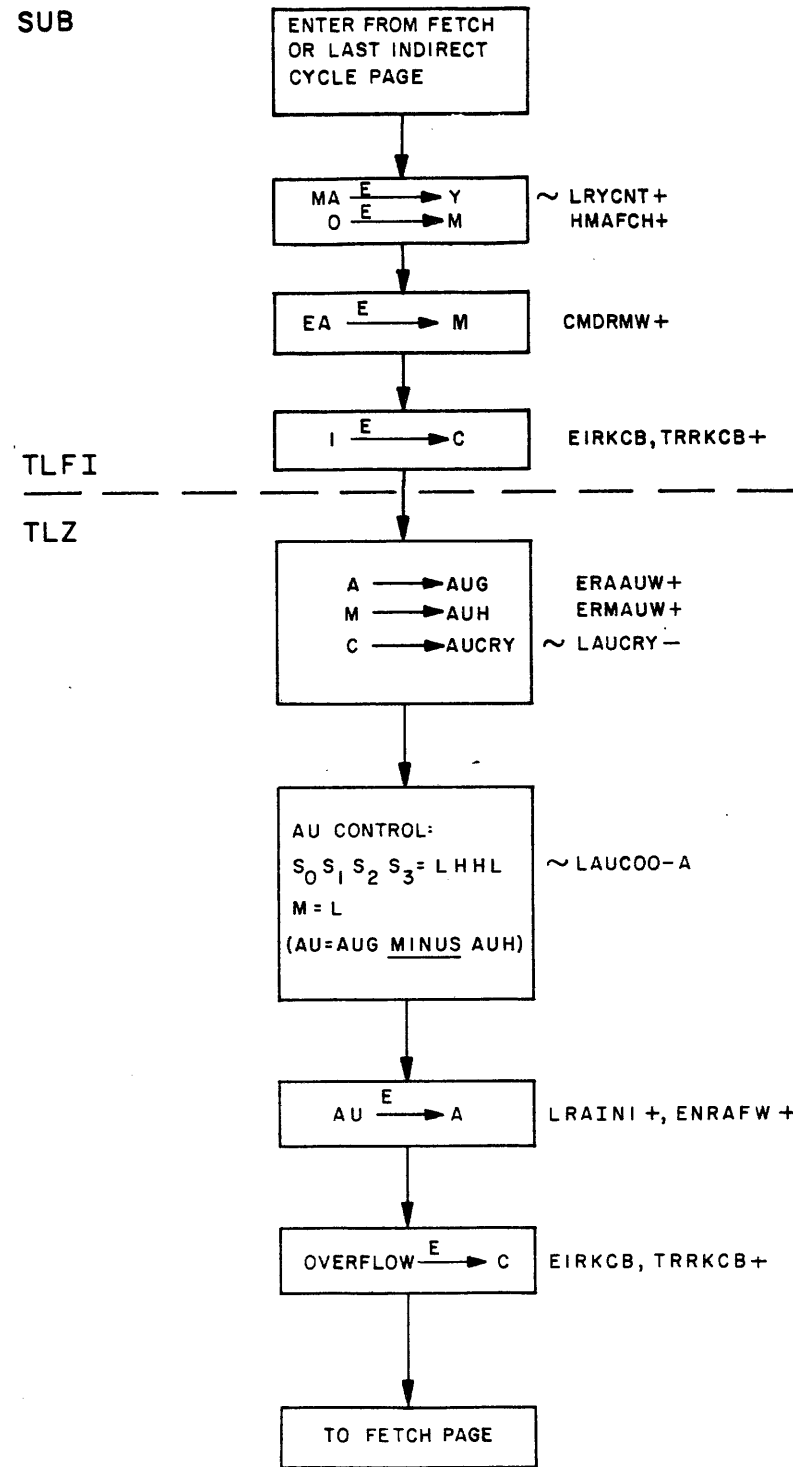
1600

STX



| Signal | Origin | Cycle | Instruction | Developing Signals |
|---------|-----------|-------|-------------|--|
| LRMIN2+ | 128-F6 | TLFI | | ALSXEZ--=(E1TLZC+)(OPNLSX+) |
| LRMIN4+ | 128-F7 | TLFI | | ALSXEZ--=(E1TLZC+)(OPNLSX+0) |
| E1MCWC+ | 126-F1 | TLFI | | AWRTEZ--=(E1TLZC+)(OPGWRT+) |
| ERMAUW+ | 127-G4/G6 | TLZ | | MCWCYC--=(MCWCYC+) |
| DMAFIL- | 130-C10 | TLZ | | DMAFIL--=(HMASTO-)(QMALHO-)(QMA090+)(QMA1/8+) |
| ERMRXW- | 128-B2 | TLZ | | ACWCYC0--=(MCWCYC+)(DRY000+) |
| LRAIN1+ | 122-F1/G1 | TLZ | | EAURAW-0=(MCWCYC-) |
| ENRAFW+ | 122-E10 | TLZ | | ACWCYC1--=(RY15FF-)(MCWCUC+)(RY16FF+)(DRYREG+) |
| ENRBFW+ | 123-F3 | TLZ | | ACWCYC2 = (DRYREG+)(RY15FF+)(RY16FF-)(MCWCYC+) |
| CRMRSW- | 128-B3 | TLZ | | CRMRSW- = (MCWCYC+)(DRY0003+)(TPDLYD+) |

SUB



Mnemonic: SUB

Instruction: Subtract from A

Type: MR

Op. Code: 07

Description: (A) - [EA] → (A), OUF → (C)

Execution Time

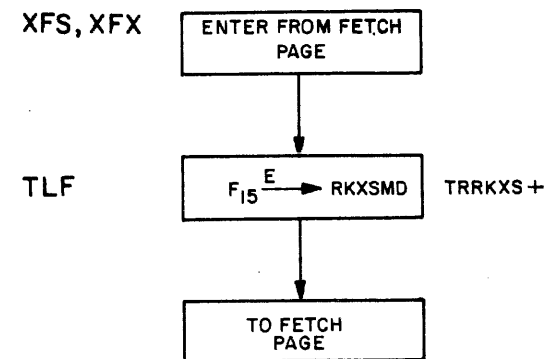
1600

| Signal | Origin | Cycle | Instruction | Developing Signals |
|---------|------------|-------|-------------|-------------------------------------|
| EIRKCB | 124-F2/F4 | TLF | | ASUBFI-=(TLF/IC+)(OPNSUB+) |
| TRRKCB+ | 124-F5 | TLF | | OPGA/S+=(OPNSUB-)(OPNADD-) |
| ERAAUW+ | 127-D9/D11 | TLZ | | AA/SZA-=(OPGA/S+)(TLZCYC+A) |
| ERMAUW+ | 127-G4/G6 | TLZ | | AMAUXZ-=(TLXYZC+)(OPGMAU+) |
| LAUCRY- | 117-C8 | TLZ | | AA/SXZ-=(RKCBIT+)(OPGA/S+)(TLXYZC+) |
| LAUC00- | 117-D4/E4 | TLZ | | ANEGXZ-=(TLXYZC+)(OPGNEG+) |
| LRAINI+ | 122-F1/G1 | TLZ | | EAURAW-1(HENHAU-R)(OPGMAU-) |
| ENRAFW+ | 122-E10 | TLZ | | ATAZZC-=(TLZCYC+A)(OPGTAZ+) |
| EIRKCB | 124-F2/F4 | TLZ | | AA/SZO-=(OPGA/S+)(QSM0/1-)(TLZCYC+) |
| TRRKCB+ | 124-F5 | TLZ | | OPGA/S+=(OPNSUB-)(OPNADD-) |

Index Selection Control
 Type: Generic

Execution Time(ns): 800

| Mnemonic | Op. Code | Instruction | Description |
|----------|----------|--------------|----------------------|
| XFS | 000017 | Index from S | 1 → Index Control FF |
| XFX | 000015 | Index from X | 0 → Index Control FF |



| Signal | Origin | Cycle | Instruction | Developing Signals |
|---------|--------|-------|-------------|------------------------------------|
| TRRKXS+ | 124-C7 | TLF | | TRKKXS+=(RF13FF+)(RF14FF+)(OPGGB+) |

SECTION III
LOGIC BLOCK DIAGRAMS

This section contains all logic block diagrams for the Type 716 Central Processor. These diagrams are presented according to the LBD number. A tabulation by number and title is given below.

| <u>LBD No.</u> | <u>Description</u> | <u>Page</u> | <u>LBD No.</u> | <u>Description</u> | <u>Page</u> |
|----------------|--|-------------|----------------|--|-------------|
| 0051 | 716 CPU, Memory and I/O Buses | 3-3 | 0125 | 716 CP, Keys, Shift Counter | 3-32 |
| 0053 | 716 CPU, Connectors, Memory Options (70030679)* | 3-4 | 0126 | 716 CP, Start/Stop & Control Panel Input | 3-33 |
| 0053 | 716 CPU, Connectors, Memory Options (70032831)** | 3-5 | 0127 | 716 CP, Control for AU Input Selectors | 3-34 |
| 0054 | 716 CPU, Connectors, DMC | 3-6 | 0128 | 716 CP, Control for RM, RF, RS | 3-35 |
| 0055 | 716 CPU, Connectors, Control Panel | 3-7 | 0129 | 716 CPU, Control for MA, RY, RP | 3-36 |
| 0100 | 716 CPU Display Selectors | 3-8 | 0130 | 716 CPU, Register Addr & Misc. Decoders | 3-37 |
| 0101 | 716 CPU, Column 1 | 3-9 | 0134 | 716 CPU, Interrupt Control | 3-38 |
| 0102 | 716 CPU, Column 2 | 3-10 | 0135 | 716 CPU, DMA (DMC) Break Control | 3-39 |
| 0103 | 716 CPU, Column 3 | 3-11 | 0136 | 716 CPU, DMA Data Control | 3-40 |
| 0104 | 716 CPU, Column 4 | 3-12 | 0137 | 716 CPU, Interrupt & Break Timing | 3-41 |
| 0105 | 716 CPU, Column 5 | 3-13 | 0138 | 716 CPU, Programmed I/O Control | 3-42 |
| 0106 | 716 CPU, Column 6 | 3-14 | 0140 | Control Panel Schematic | 3-43 |
| 0107 | 716 CPU, Column 7 | 3-15 | 0141 | Control Panel Schematic | 3-44 |
| 0108 | 716 CPU, Column 8 | 3-16 | 0147 | 716 CPU, Real-Time Clock | 3-45 |
| 0109 | 716 CPU, Column 9 | 3-17 | 0148 | 716 CPU, Bootstrap Cassette Interface | 3-46 |
| 0110 | 716 CPU, Column 10 | 3-18 | 0150 | 716 CPU, Core Memory Interface & Control | 3-47 |
| 0111 | 716 CPU, Column 11 | 3-19 | 0182 | 716 CPU, Memory Lock Out Interface | 3-48 |
| 0112 | 716 CPU, Column 12 | 3-20 | | | |
| 0113 | 716 CPU, Column 13 | 3-21 | | | |
| 0114 | 716 CPU, Column 14 | 3-22 | | | |
| 0115 | 716 CPU, Column 15 | 3-23 | | | |
| 0116 | 716 CPU, Column 16 | 3-24 | | | |
| 0117 | 716 CP, Arithmetic Unit | 3-25 | | | |
| 0118 | 716 CP, Main Clock & Cycle Initiate | 3-26 | | | |
| 0119 | 716 CP, Timing Levels | 3-27 | | | |
| 0120 | 716 CP, Operation Decoder | 3-28 | | | |
| 0122 | 716 CP, Control for RA | 3-29 | | | |
| 0123 | 716 CP, Control for RB | 3-30 | | | |
| 0124 | 716 CP, Keys, Mode Control | 3-31 | | | |

LBD reference information follows.

a. Title Block Information. -- Title block information is interpreted as follows:

| | |
|-----------|---------------------------------|
| Date: | Date of revision |
| 07573: | Honeywell reference designation |
| C: | Denotes paper size of original |
| 70030679: | Honeywell file number |
| nnnn: | Sequence page number |
| nnnn: | LBD page number |
| nn: | Revision number |

*For systems manufactured through Feb. 1973. See Signal List K70030679, Section IV.

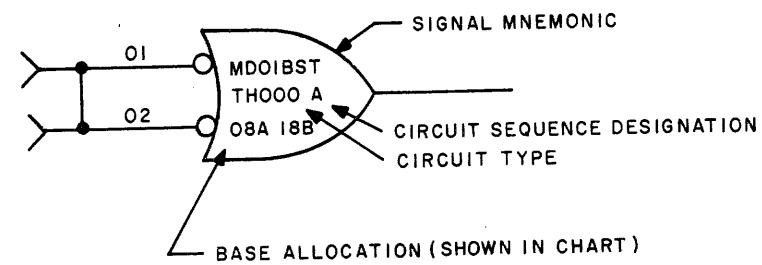
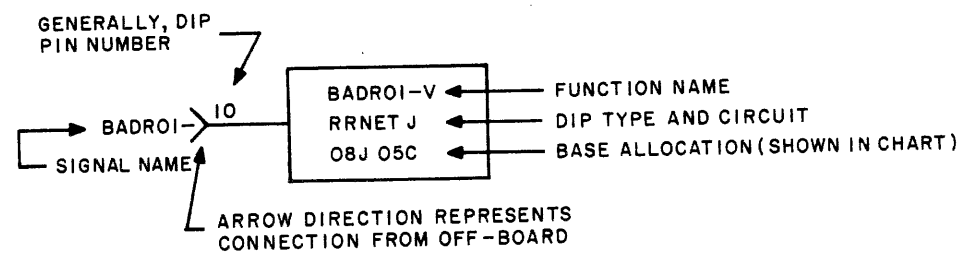
**For systems manufactured after Feb. 1973. See Signal List K70032831, Section V.

- b. Reference File. -- The reference file is the data contained at the left side of each page. This list represents the signals which do not originate on the page. The following example is the first signal listed on LBD 0051.

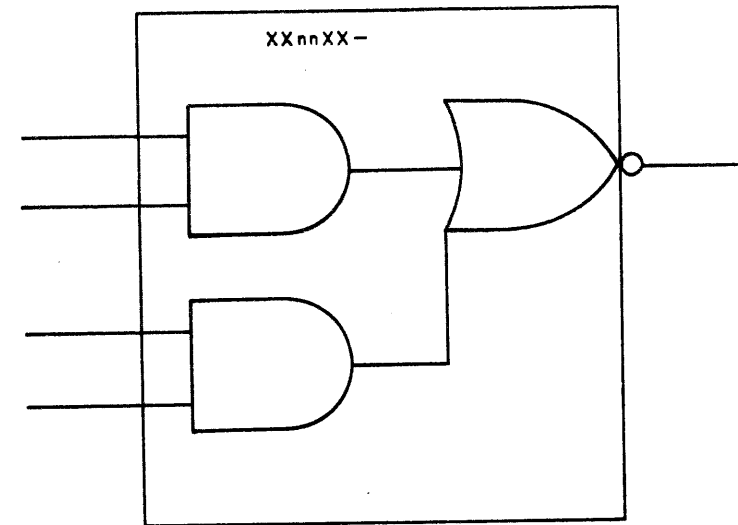
BADR01-: Signal mnemonic
 08B13: This code indicates that the signal is wired to an off-board connection (shown below).
 0101: LBD where signal originates

| U N I T | Z O N E | R O W | S L O T | C O L U M N | BOARD ROW | C O L U M N | P I N N U M B E R |
|------------------|------------------|-------------|------------------|----------------------------|--------------|----------------------------|---|
| U | Z | R | S S | C | D D | M | P P |
| | | | 0 8 | B | | | 1 3 |
| | | | 0 8 | J | 0 5 | C | 1 0 |
| | | | 0 8 | A | 1 8 | B | 0 2 |

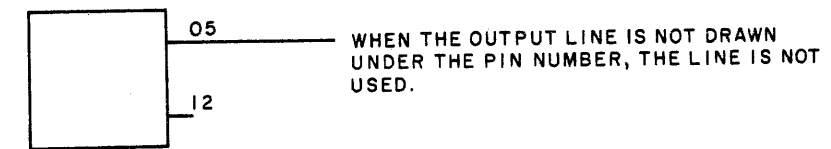
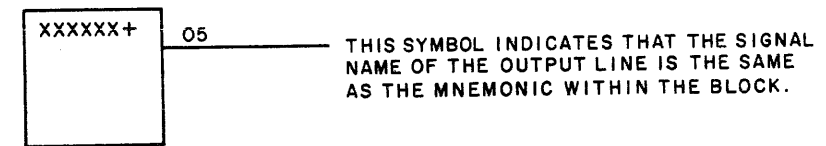
- c. Circuit Block Diagrams. -- The information within a circuit block diagram is interpreted as shown. On larger circuits (e.g., selector), two additional lines are made available for defining the circuit.



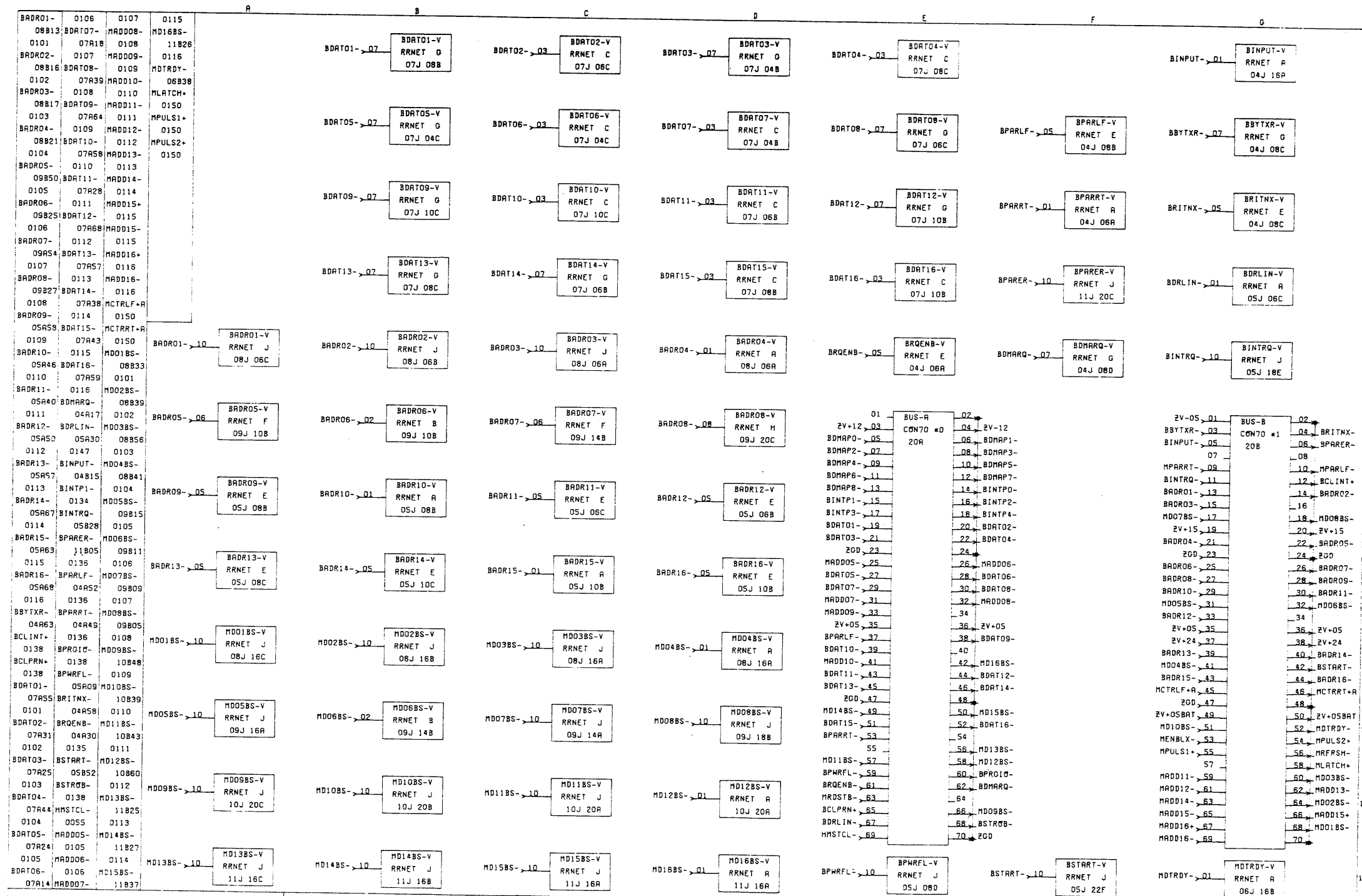
- d. Minicircuit Diagrams. -- Minicircuit diagrams within circuit block diagrams are used to provide a clearer definition of the logic.



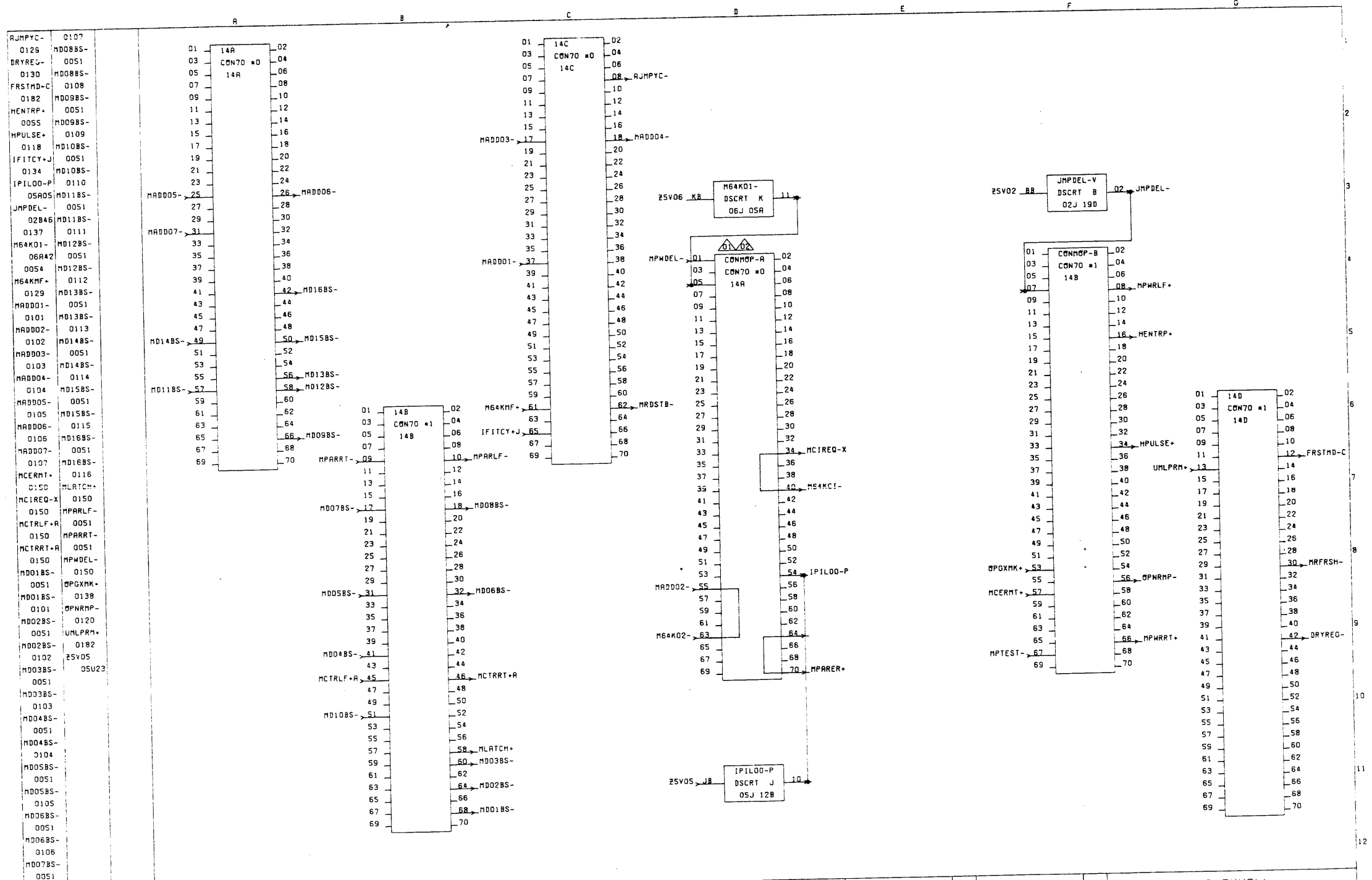
- e. Output Designations. -- Output designations are indicated as following.



- f. Notes. -- The notes appearing at the bottom of a page usually refer to specific circuits. If a reference designation does not appear on a circuit, the note applies to the entire page.

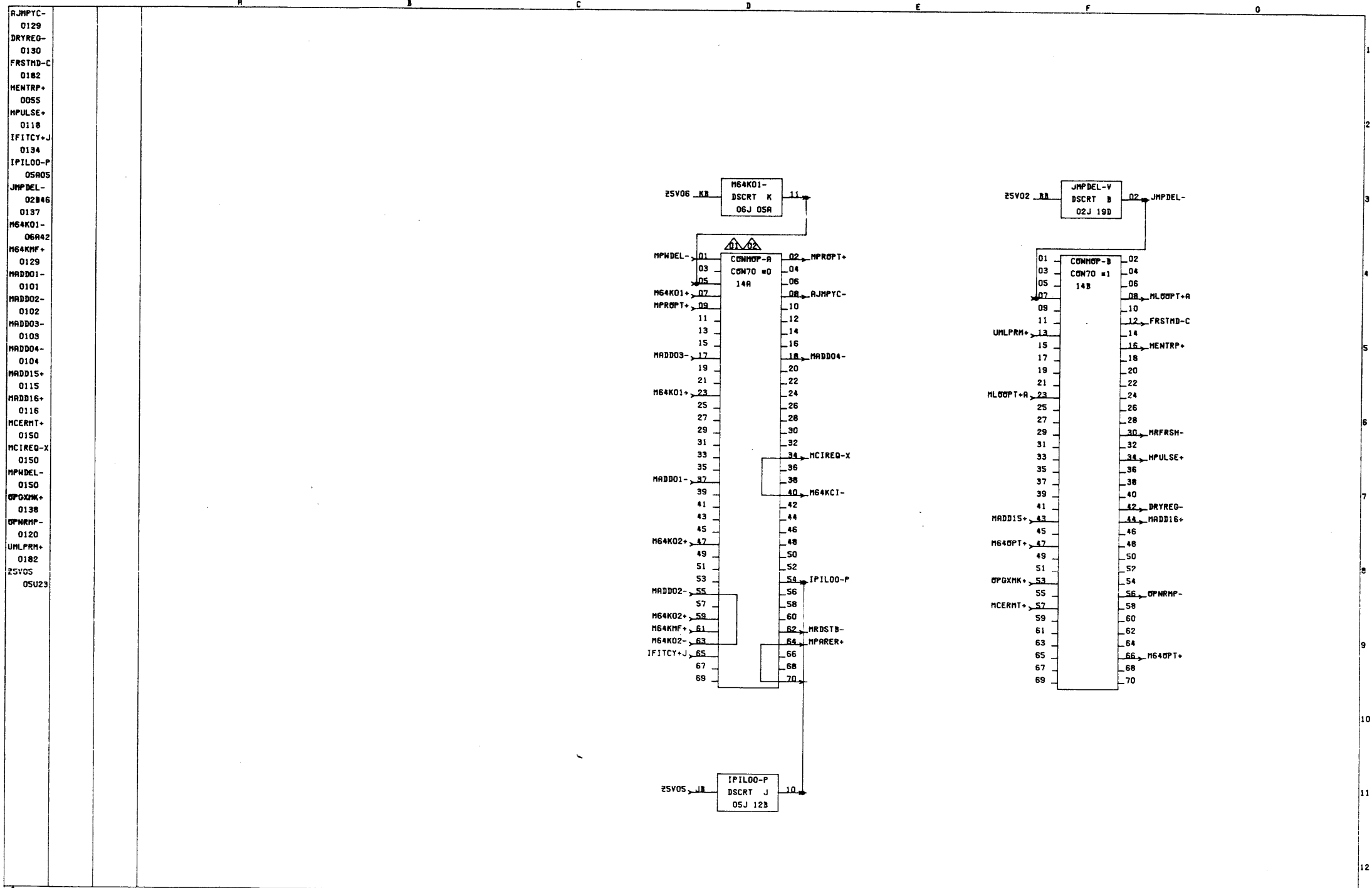


| | | | | | |
|-------------------|---|----------|----------|------|--|
| 02-09-73 | A | 10227 | 02-08-72 | B | HONEYWELL FRAMINGHAM COMPUTER OPERATIONS OLD CONNECTICUT PATH, FRAMINGHAM, MASS. 716 CENTRAL PROCESSOR MEMORY AND I/O BUSES 07573 |
| FRM20541 09-11-72 | G | | 02-09-73 | A | |
| FRM20312 06-13-72 | E | | | | |
| FRM20214 05-08-72 | D | | | | |
| FC020033 03-08-72 | C | | | | |
| | C | 70032831 | 0001 | 0051 | A |



IN ABSENCE OF BANK SWITCHING OPTION,
 M64K01 = MCIREQ-X AND
 M64K02 = MADD02-
 IN ABSENCE OF MEMORY PARITY OPTION,
 MPARER+ = GROUND

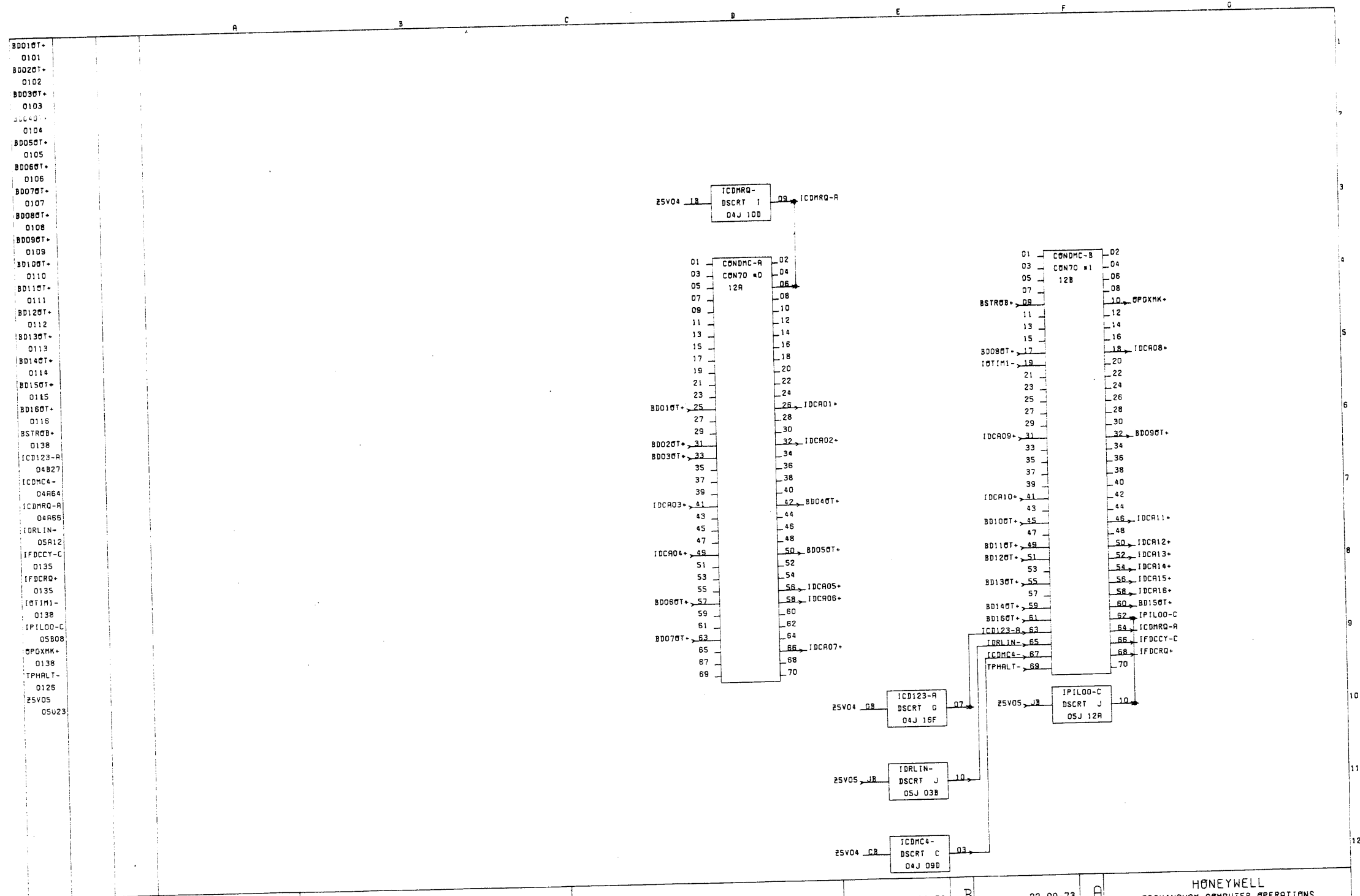
| | | | | |
|--|----------|------|------|---|
| FRM20214 05-08-72 | D | | | |
| FC020033 03-08-72 | C | | | |
| 10227 02-08-72 | B | | | |
| 12-21-71 | A | | | |
| HONEYWELL FRAMINGHAM COMPUTER OPERATIONS OLD CONNECTICUT PATH, FRAMINGHAM, MASS. | | | | |
| 716 CENTRAL PROCESSOR CONNECTORS: MEMORY OPTIONS | | | | |
| 07573 | | | | |
| C | 70030679 | 0002 | 0053 | D |



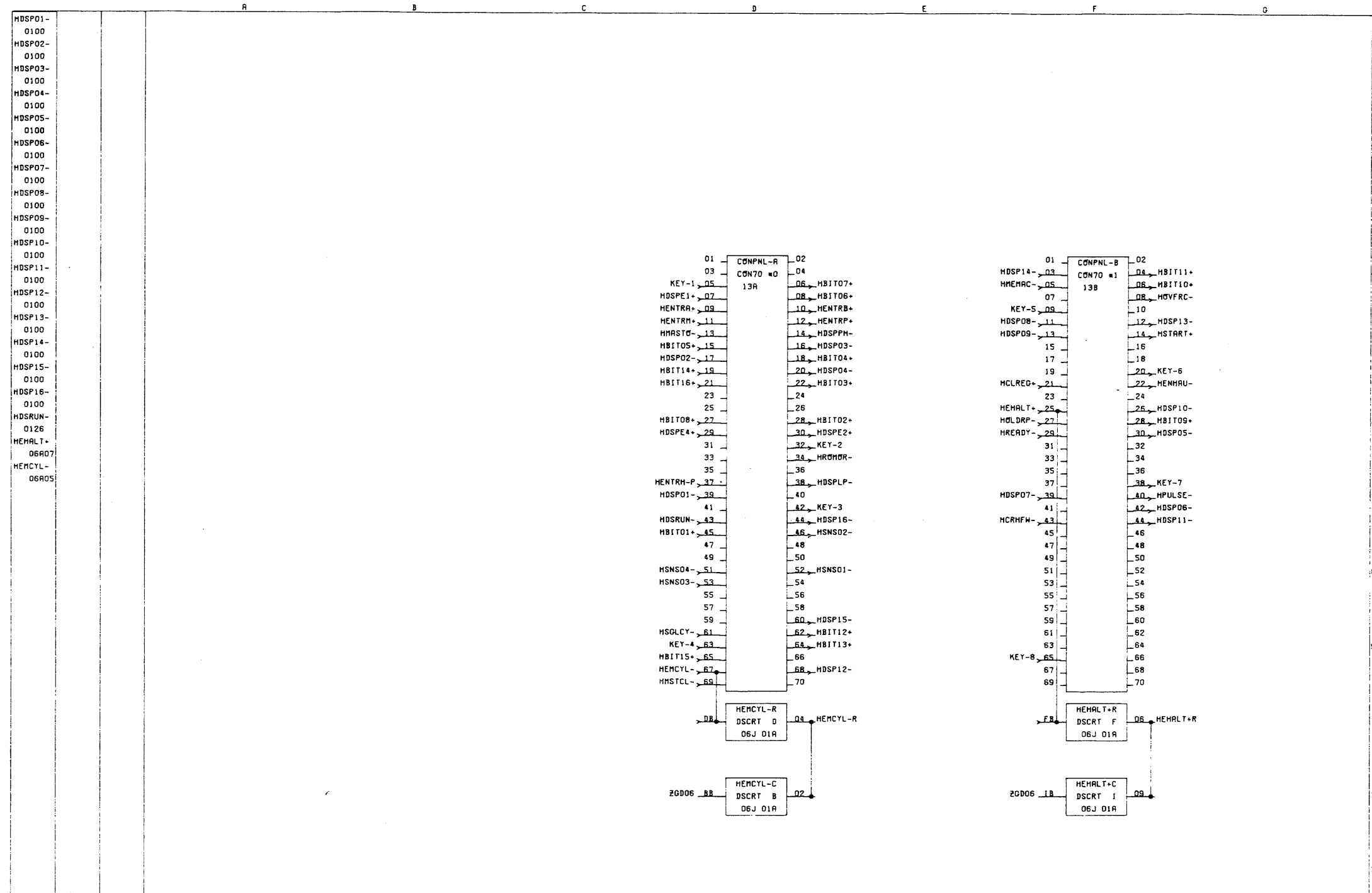
▲ IN ABSENCE OF BANK SWITCHING OPTION.
 MS4KCI- = MCIREQ-X AND
 MS4KO2- = HADD02-
 ▲ IN ABSENCE OF MEMORY PARITY OPTION,
 HPARER+ = GROUND

| | | | | | |
|--|--|--|--|--|--|
| | | | | | |
| | | | | | |
| | | | | | |
| | | | | | |
| | | | | | |
| | | | | | |
| | | | | | |
| | | | | | |
| | | | | | |
| | | | | | |
| | | | | | |
| | | | | | |

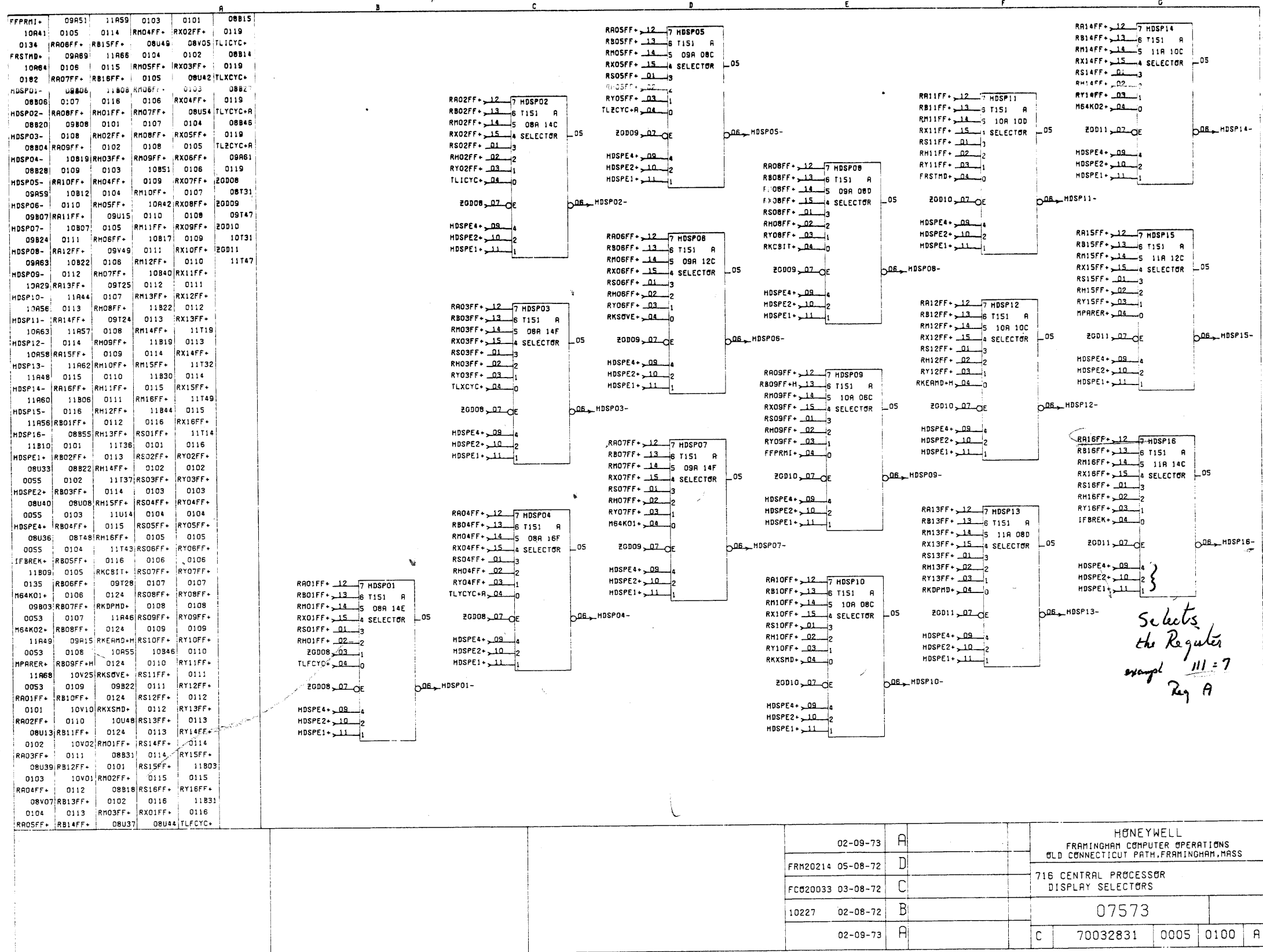
| | | | | | | | | | | |
|--|--|--|--|--|--|--|--|--|--|--|
| | | | | | | | | | | |
| | | | | | | | | | | |
| | | | | | | | | | | |
| | | | | | | | | | | |
| | | | | | | | | | | |
| | | | | | | | | | | |
| | | | | | | | | | | |
| | | | | | | | | | | |
| | | | | | | | | | | |
| | | | | | | | | | | |
| | | | | | | | | | | |



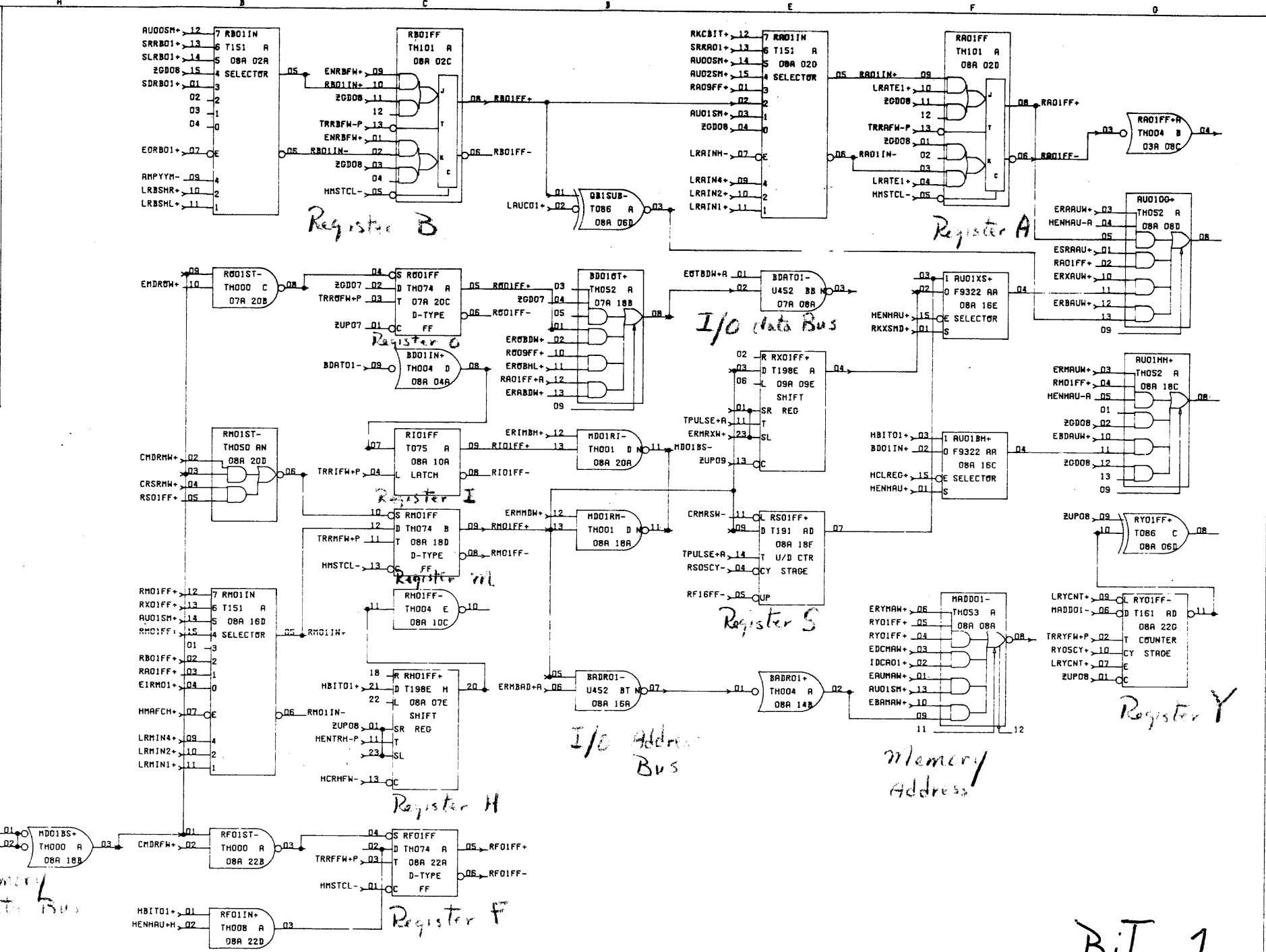
| | | | | | | | | | |
|--|--|--|-----------------------------|--|--|---|--|--|--|
| | | | 10227 02-08-72 B 02-09-73 A | | | HONEYWELL FRAMINGHAM COMPUTER OPERATIONS OLD CONNECTICUT PATH, FRAMINGHAM, MASS 716 CENTRAL PROCESSOR CONNECTORS: DMC | | | |
| | | | 02-09-73 A | | | | | | |
| | | | FRM20214 05-08-72 D | | | | | | |
| | | | FC020033 03-08-72 C | | | 07573 | | | |
| | | | 10227 02-08-72 B | | | C 70032831 0003 0054 B | | | |



| | | | | | | | | | | | |
|--|--|--|----------|----------|---|---|---|------|------|---|--|
| | | | 02-09-73 | A | | | HONEYWELL FRAMINGHAM COMPUTER OPERATIONS OLD CONNECTICUT PATH, FRAMINGHAM, MASS | | | | |
| | | | FRM20541 | 09-11-72 | G | | 716 CENTRAL PROCESSOR CONNECTORS: CONTROL PANEL | | | | |
| | | | FC020033 | 03-08-72 | C | | 07573 | | | | |
| | | | 10227 | 02-08-72 | B | | | | | | |
| | | | 02-09-73 | A | | C | 70032831 | 0004 | 0055 | A | |

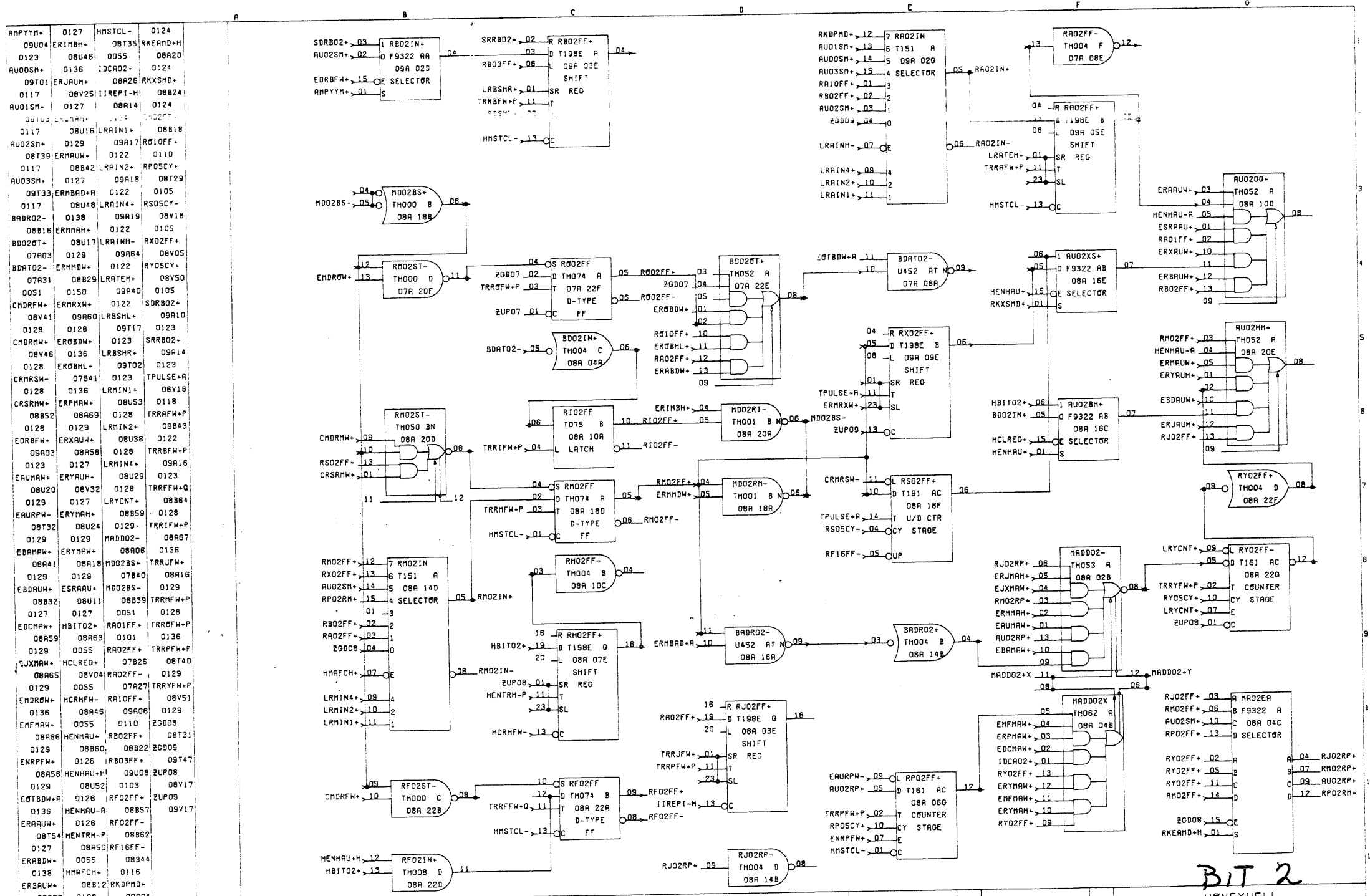


| | | | |
|---------|----------|----------|----------|
| AMPYHM+ | 0138 | LRBSHR+ | 08V16 |
| 0123 | ERMMDM+ | 08A04 | 0118 |
| AUOOSM+ | 08B29 | 0123 | TRRAFV-P |
| 08A03 | 0150 | LRMIN1+ | 08A08 |
| 0117 | ERMXXM+ | 08U53 | 0122 |
| AUOISM+ | 09A60 | 0128 | TRRBFV-P |
| 08A52 | 0128 | LRMIN2+ | 08A32 |
| 0117 | ERQBDM+ | 08U38 | 0123 |
| AUOZSM+ | 0136 | 0128 | TRRFV-P |
| 08T39 | ERQSHL+ | LRMIN4+ | 08B69 |
| 0117 | 07B41 | 08U29 | 0128 |
| BADROI- | 0136 | 0128 | TRRFV-P |
| 08B13 | ERXAM+ | LRVYNT+ | 08A67 |
| 0051 | 08A58 | 08B59 | 0136 |
| BDO1OT+ | 0127 | 0129 | TRRFV-P |
| 07A20 | ERYM+ | MADD01- | 0128 |
| BDATOI- | 08A18 | 08A43 | TRRFV-P |
| 07A55 | 0129 | MDO1BS+ | 0136 |
| 0051 | ESRAAU+ | 07B44 | TRRFV-P |
| CMDFW+ | 08U11 | MDO1BS- | 08V51 |
| 08V41 | 0127 | 08B33 | 0129 |
| 0128 | HBITOI+ | 0051 | ZOD08 |
| CMDFW+ | 08B63 | RRO1FF+A | 08T47 |
| 08V46 | 0055 | 03B42 | ZUP08 |
| 0128 | HCLREG+ | RRO1FF- | 08V17 |
| CMRSM- | 08V04 | 03A50 | ZUP09 |
| 0128 | 0055 | RO9FF+ | 08V17 |
| CRSRM+ | HCRHFV- | 08A15 | |
| 08B52 | 08A46 | 0109 | |
| 0128 | 0055 | RBO1FF+ | |
| EORBO1+ | HENHAU+ | 08B55 | |
| 08A11 | 08B60 | RFO1FF+ | |
| 0123 | 0126 | 08B67 | |
| E1RM01+ | HENHAU+ | RFO1FF- | |
| 08B26 | 08U52 | 08B65 | |
| 0128 | 0126 | RF16FF- | |
| EAUM+ | HENHAU-A | 08B44 | |
| 08U20 | 0126 | 0116 | |
| 0129 | HENTRH-P | RKCBIT+ | |
| EBAM+ | 08A50 | 08A19 | |
| 08A41 | 0055 | 0124 | |
| 0129 | HMAFCH+ | RKXSM+ | |
| EBDAU+ | 08B12 | 08B24 | |
| 08B32 | 0128 | 0124 | |
| 0127 | HMSTCL- | RNO1FF+ | |
| EDCHM+ | 08T35 | 08B31 | |
| 08A59 | 0055 | RNO1FF- | |
| 0129 | IDCAOI+ | 08B50 | |
| EMDRM+ | 08A51 | RDO9FF+ | |
| 0136 | 0054 | 0109 | |
| ENRBFV+ | LAUCOI+ | RSOSCY- | |
| 08A12 | 08A44 | 08V18 | |
| 0123 | 0117 | 0105 | |
| EOTBDH+ | LRAIN1+ | RXO1FF+ | |
| 0136 | 08T06 | 08U44 | |
| ERRAU+ | 0122 | RYOSCY+ | |
| 08T54 | LRAIN2+ | 08V50 | |
| 0127 | 08T21 | 0105 | |
| ERABDM+ | 0122 | SDRBO1+ | |
| 0138 | LRAIN4+ | 08A09 | |
| ERBAU+ | 08T04 | 0123 | |
| 08A60 | 0122 | SLRBO1+ | |
| 0127 | LRAINH- | 08A30 | |
| ERIMBM+ | 08T05 | 0123 | |
| 08U46 | 0122 | SRRAO1+ | |
| 0136 | LRATE1+ | 08A07 | |
| ERRAU+ | 08A10 | 0123 | |
| 08B42 | 0122 | SRRBO1+ | |
| 0127 | LRBSHL+ | 08A01 | |
| ERMBAD+ | 08A05 | 0123 | |
| 08U48 | 0123 | TPULSE+ | |



BIT 1

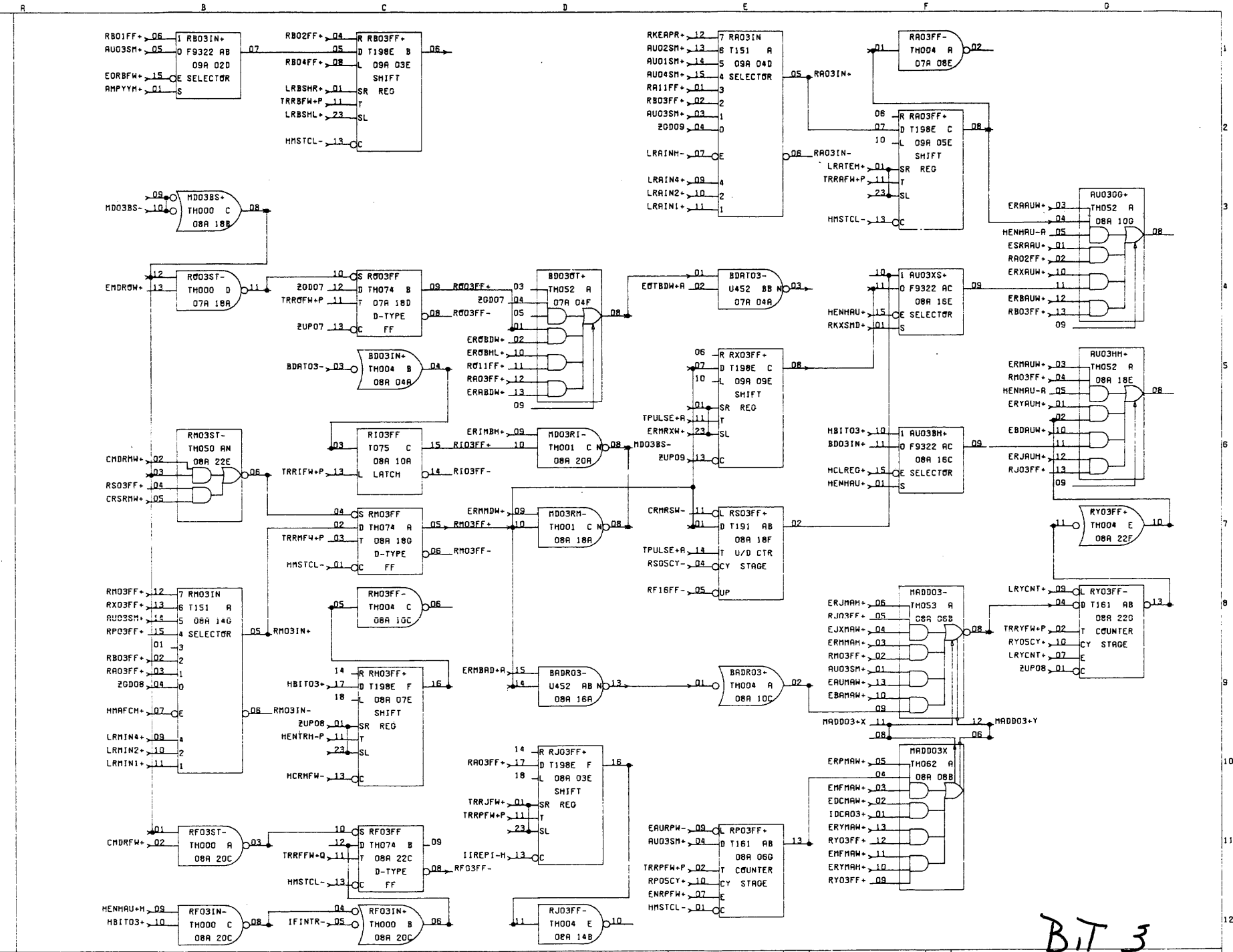
| | | | | | |
|----------|----------|---|----------|---|--|
| BLC31914 | 02-07-74 | C | 02-09-73 | A | HONEYWELL FRAMINGHAM COMPUTER OPERATIONS OLD CONNECTICUT PATH, FRAMINGHAM, MASS. |
| | 02-09-73 | A | | | |
| FRM20214 | 05-08-72 | X | | | 716 CENTRAL PROCESSOR COLUMN 1 |
| BLC31914 | 02-07-74 | C | | | 07573 |
| 10227 | 02-08-72 | B | | C | 70032831 0006 0101 C |



BIT 2

| | | | | | | | | | |
|--|---|----------|------|------|---|--|--|--|--|
| 02-09-73 | A | | | | | | | | |
| FRM20214 05-08-72 | D | | | | | | | | |
| FC020033 03-08-72 | C | | | | | | | | |
| 10227 02-08-72 | B | | | | | | | | |
| 02-09-73 | A | | | | | | | | |
| HONEYWELL FRAMINGHAM COMPUTER OPERATIONS OLD CONNECTICUT PATH, FRAMINGHAM, MASS. | | | | | | | | | |
| 716 CENTRAL PROCESSOR COLUMN 2 | | | | | | | | | |
| 07573 | | | | | | | | | |
| | C | 70032831 | 0007 | 0102 | A | | | | |

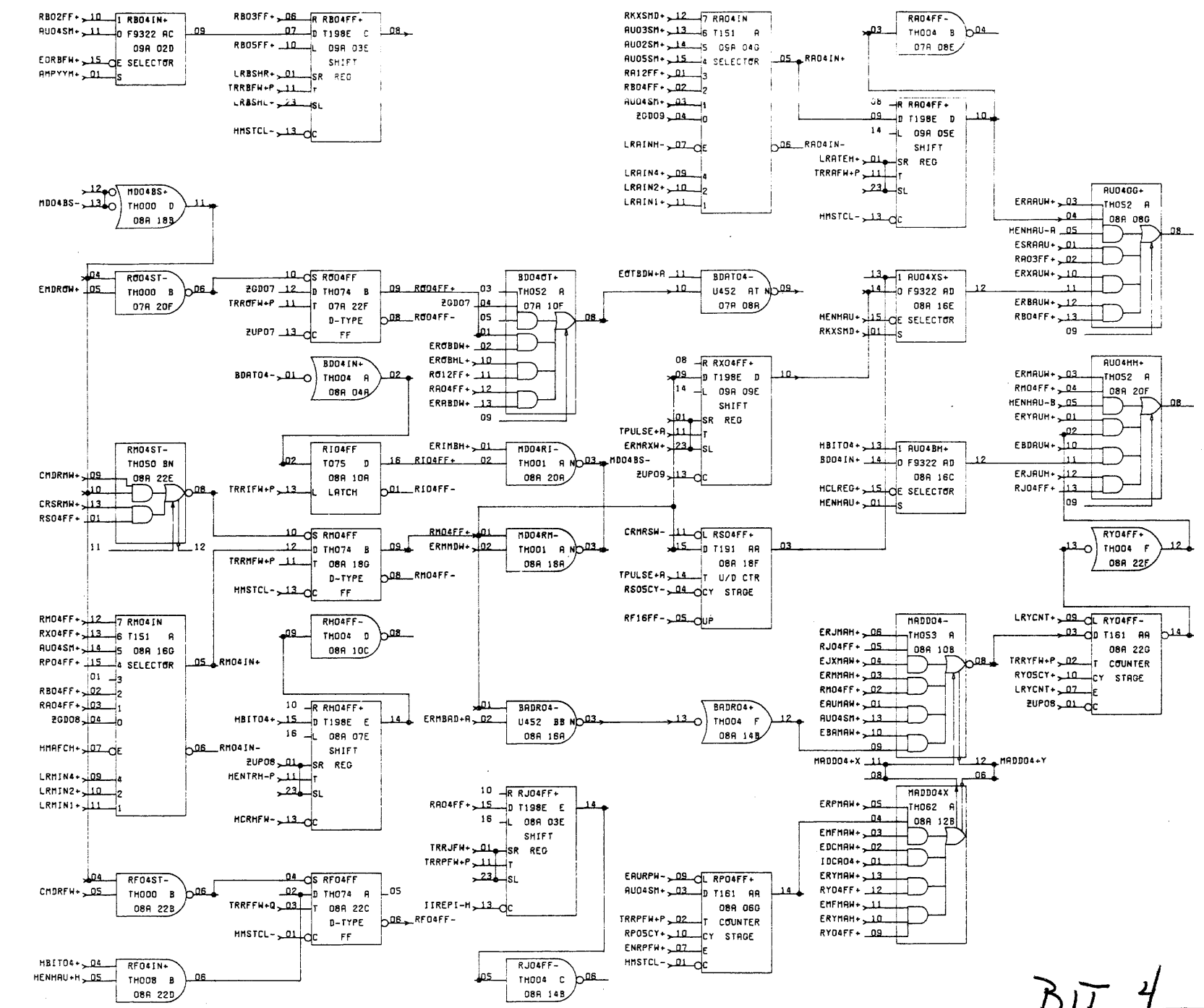
| | | | |
|----------|----------|----------|-----------|
| AMPYH+ | 08A60 | 0128 | 0104 |
| 09U04 | 0127 | HMSTCL- | RF03FF- |
| 0123 | ERIMBH+ | 08T35 | 08B59 |
| AU01SM+ | 08U46 | 0055 | RF16FF- |
| 09T03 | 0136 | IDCA03+ | 08B44 |
| 0117 | ERJAHU+ | 08A54 | 0116 |
| AU02SM+ | 08V25 | 0054 | RKEAPR+ |
| 09T39 | 0127 | IFINTR- | 09A12 |
| 0117 | ERJMAH+ | 08B54 | 0124 |
| AU03SM+ | 08U16 | 0134 | RKXSHD+ |
| 08T33 | 0129 | IIREP1-M | 08B24 |
| 0117 | ERMAUH+ | 08A14 | 0124 |
| AU04SM+ | 08B42 | 0134 | RM03FF+ |
| 09T37 | 0127 | LRAIN1+ | 08U37 |
| 0117 | ERHBD+A | 09A17 | RO11FF+ |
| BADR03- | 08U48 | 0122 | 0111 |
| 08B17 | 0138 | LRAIN2+ | RPO5CY+ |
| 0051 | ERMAH+ | 09A18 | 08T29 |
| BDO3OT+ | 08U17 | 0122 | 0105 |
| 07A04 | 0129 | LRAIN4+ | RSO5CY- |
| BDAOT3- | ERMMH+ | 09A19 | 08V18 |
| 07A25 | 08B29 | 0122 | 0105 |
| 0051 | 0150 | LRAINH- | RX03FF+ |
| CMDFW+ | ERARX+ | 09A64 | 08U42 |
| 08V41 | 09A60 | 0122 | RYO5CY+ |
| 0128 | 0128 | LRATEH+ | 08V50 |
| CMDFW+ | ER08BD+ | 09A40 | 0105 |
| 08V46 | 0136 | 0122 | TPULSE+A |
| 0128 | ER08BL+ | LRBSHL+ | 08V16 |
| CRMRS4- | 07B41 | 09T17 | 0118 |
| 0128 | 0136 | 0123 | TRRAF+W-P |
| CRSRW+ | ERPMAH+ | LRBSHR+ | 09B43 |
| 08B52 | 08A69 | 09T02 | 0122 |
| 0128 | 0129 | 0123 | TRRFW+P |
| EORBFW+ | ERXRAU+ | LRMIN1+ | 09A16 |
| 09A03 | 08A58 | 08U53 | 0123 |
| 0123 | 0127 | 0128 | TRRFW+Q |
| ERUHAH+ | ERYAUH+ | LRMIN2+ | 08B64 |
| 08U20 | 08V32 | 08U38 | 0128 |
| 0129 | 0127 | 0128 | TRRFW+P |
| ERURPW+ | ERYHAH+ | LRMIN4+ | 08A67 |
| 08T32 | 08U24 | 08U29 | 0136 |
| 0129 | 0129 | 0128 | TRRFW+ |
| EBAMAH+ | ERYHAH+ | LRYCNT+ | 08A16 |
| 08A41 | 08A18 | 08B59 | 0129 |
| 0129 | 0129 | 0129 | TRRFW+P |
| EBDAUH+ | ESRAAU+ | MADD03- | 0128 |
| 08B32 | 08U11 | 08V53 | TRRFW+P |
| 0127 | 0127 | MDO3BS+ | 0136 |
| EDCHAW+ | HBIT03+ | 07B34 | TRPFW+P |
| 08A59 | 08B19 | MDO3BS- | 08T40 |
| 0129 | 0055 | 08B56 | 0129 |
| EJXMAH+ | HCLREG+ | 0051 | TRRYF+W |
| 08A65 | 08V04 | RA02FF+ | 08V51 |
| 0129 | 0055 | 08U13 | 0129 |
| EMDRW+ | HCRHFW+ | 0102 | ZDD08 |
| 0136 | 08A46 | RA03FF+ | 08T31 |
| ENFAH+ | 0055 | 07A49 | ZDD09 |
| 08A66 | HENHAU+ | RA11FF+ | 09T47 |
| 0129 | 08B60 | 09A28 | ZUP08 |
| ENRPFW+ | 0126 | 0111 | 08V17 |
| 08A56 | HENHAU+ | RBO1FF+ | ZUP09 |
| 0129 | 08U52 | 09T09 | 09V17 |
| EOTBDW+A | 0126 | 0101 | |
| 0136 | HENHAU- | RBO2FF+ | |
| ERAAUH+ | 0126 | 09U01 | |
| 08T54 | HENTRH-P | 0102 | |
| 0127 | 08A50 | RBO3FF+ | |
| ERABDW+ | 0055 | 08U08 | |
| 0138 | HMAFCH+ | RBO4FF+ | |
| ERBAUH+ | 08B12 | 09T48 | |



BIT 3

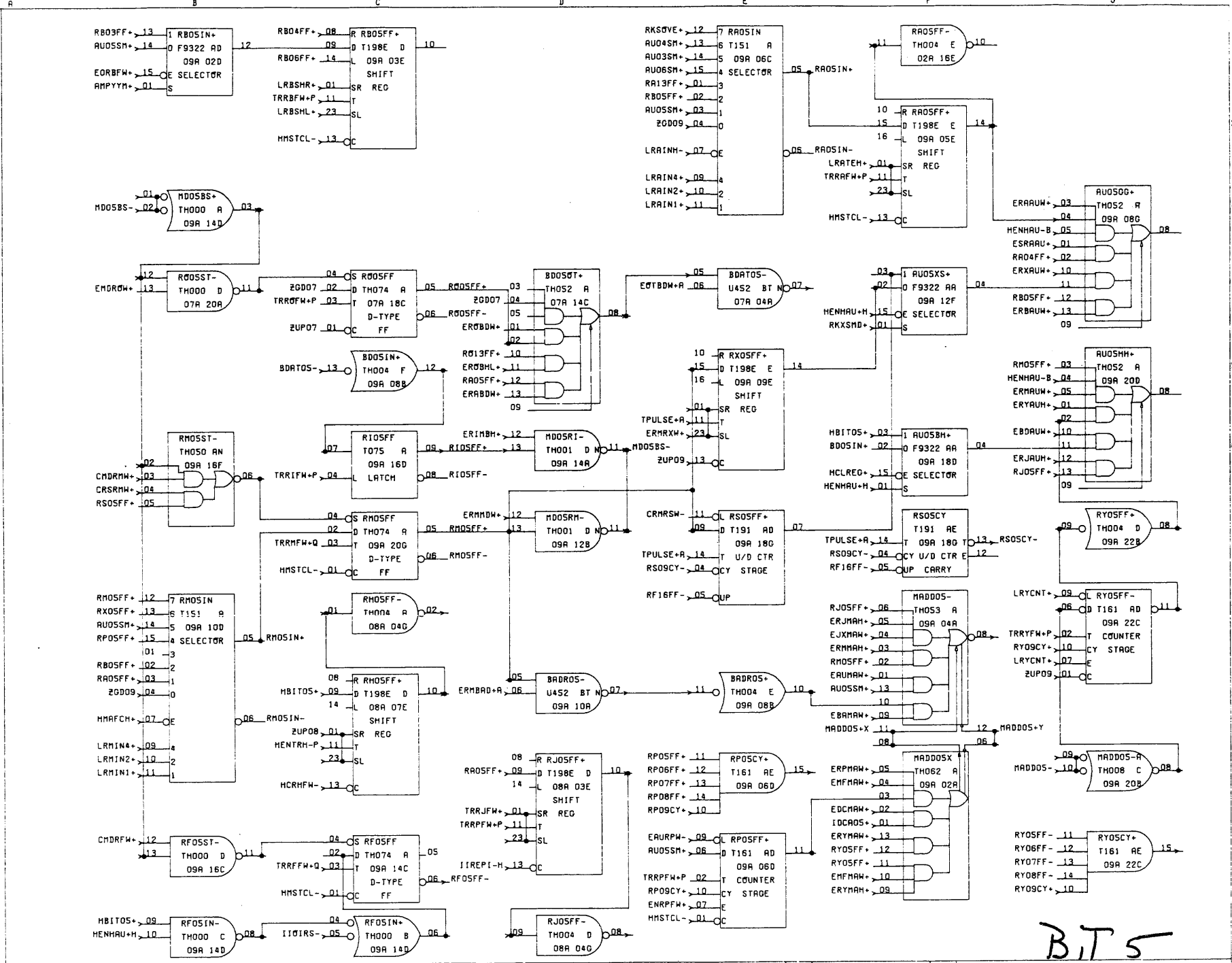
| | | | | |
|----------|----------|--|---|----------------------|
| | | HONEYWELL FRAMINGHAM COMPUTER OPERATIONS OLD CONNECTICUT PATH, FRAMINGHAM, MASS. | | |
| 02-09-73 | A | | | |
| FRM20214 | 05-08-72 | D | | |
| FC020033 | 03-08-72 | C | | |
| 10227 | 02-08-72 | B | | |
| | 02-09-73 | A | | |
| | | | C | 70032831 0008 0103 A |

| | | | |
|----------|-----------|----------|----------|
| AMPYH+ | 08A60 | 0355 | RFO4FF- |
| 09U04 | 0127 | HAFCH- | 08B88 |
| 0123 | ER15H+ | 08B12 | RF16FF- |
| RU02SM+ | 08L46 | 0128 | 08B44 |
| 08T39 | 0136 | HSTCL- | 0116 |
| 0117 | ERJAH+ | 08T35 | RKXSHD- |
| RU03SM+ | 08V25 | 0055 | 08B24 |
| 08T33 | 0121 | ULAU4- | 0124 |
| 0117 | ERJAH+ | 08A68 | RM04FF+ |
| RU04SM+ | 08U16 | 0054 | 08U49 |
| 08T37 | 0129 | IIREPI-H | RD12FF+ |
| 0117 | ERAHU+ | 08A14 | 0112 |
| RU05SM+ | 08B42 | 0134 | RP0SCY+ |
| 09U50 | 0127 | LRAIN1+ | 08T29 |
| 0117 | ERMBAD-R | 09A17 | 0105 |
| BR0R04- | 08U48 | 0122 | RS0SCY- |
| 08B21 | 0138 | LRAIN2+ | 08V18 |
| 0051 | ERMAH+ | 09A18 | 0105 |
| BD04OT+ | 08U17 | 0122 | RX04FF+ |
| 07A05 | 0129 | LRAIN4+ | 08U54 |
| BDAT04- | ERHMD+ | 09A19 | RY0SCY+ |
| 07A44 | 08B29 | 0122 | 08V50 |
| 0051 | 0150 | LRAINH- | 0105 |
| CMDRFW+ | ERMXH+ | 09A64 | TPULSE+A |
| 08V41 | 09A60 | 0122 | 08V16 |
| 0128 | 0128 | LRATEH+ | 0118 |
| CDRHH+ | ER0BDH+ | 09A40 | TRRFW+P |
| 08V46 | 0136 | 0122 | 08A43 |
| 0128 | ER0BHL+ | LRBSHL+ | 0122 |
| CRMRSW- | 07B41 | 09T17 | TRRFW+P |
| 0128 | 0136 | 0123 | 09A16 |
| CRSRH+ | ERPHH+ | LRBSHR+ | 0123 |
| 08B52 | 08A69 | 09T02 | TRRFW+Q |
| 0128 | 0129 | 0123 | 08B64 |
| EDRBFH+ | ERXAH+ | LRMIN1+ | 0128 |
| 09A03 | 08A58 | 08U53 | TRRFW+P |
| 0123 | 0127 | 0128 | 08A67 |
| ERUHA+ | ERYAH+ | LRMIN2+ | 0136 |
| 08U20 | 08V32 | 08U38 | TRRFW+ |
| 0129 | 0127 | 0128 | 08A16 |
| EAURPW- | ERYAH+ | LRMIN4+ | 0129 |
| 08T32 | 08U24 | 08U29 | TRRFW+P |
| 0129 | 0129 | 0128 | 0128 |
| EBRHH+ | ERYAH+ | LRYCNT+ | TRRFW+P |
| 08A41 | 08A18 | 08B59 | 0136 |
| 0129 | 0129 | 0129 | TRRFW+P |
| EBDAUH+ | ESRAU+ | MADDO4- | 08T40 |
| 08B32 | 08U11 | 08V54 | 0129 |
| 0127 | 0127 | MDO4BS+ | TRRYFW+P |
| EDCHAH+ | HBIT04+ | 07B53 | 08V51 |
| 08A59 | 08A55 | MDO4BS- | 0129 |
| 0129 | 0055 | 08B41 | ZDD08 |
| EJMH+ | HCLREG+ | 0051 | 08T31 |
| 08A65 | 08V04 | RA03FF+ | ZDD09 |
| 0129 | 0055 | 08U39 | 09T47 |
| EMDRW+ | HCRHFH+ | 0103 | ZUP08 |
| 0136 | 08A46 | RA04FF+ | 08V17 |
| EMFMH+ | 0055 | 07A56 | ZUP09 |
| 08A66 | HENHRAU+ | RA12FF+ | 09V17 |
| 0129 | 08B60 | 09A22 | |
| ENRPFH+ | 0126 | 0112 | |
| 08A56 | HENHRAU-H | R02FF+ | |
| 0129 | 08U52 | 09U01 | |
| EDTBDH-R | 0126 | 0102 | |
| 0136 | HENHRAU-R | R03FF+ | |
| ERAPUH+ | 0126 | 09U08 | |
| 08T54 | HENHRAU-B | 0103 | |
| 0127 | 08V37 | RA04FF+ | |
| ERABDH+ | 0126 | 08T48 | |
| 0138 | HENTRH-P | R05FF+ | |
| ERBAUH+ | 08A50 | 0105 | |



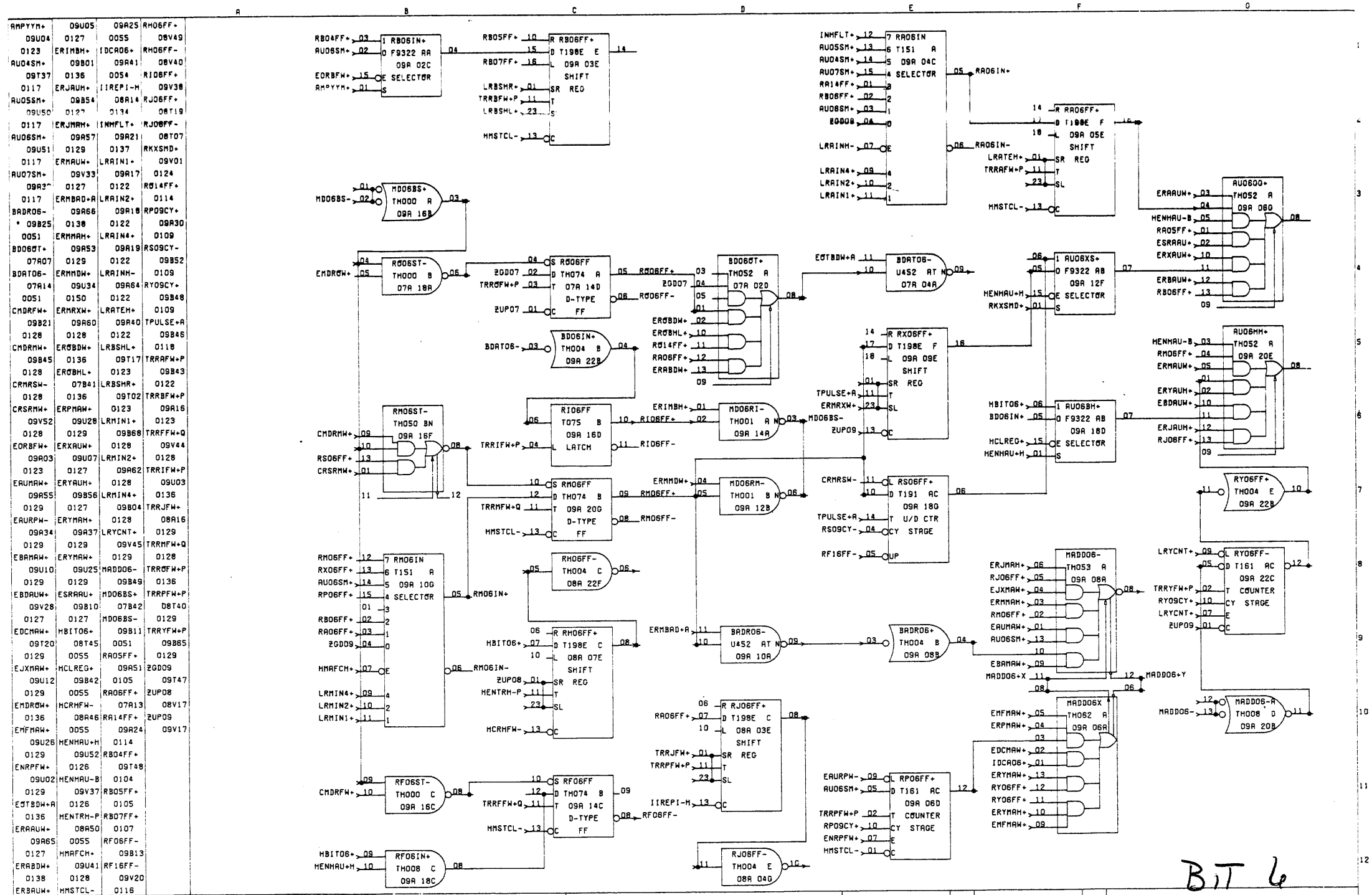
| | | | | | | | |
|---|----------|---|--|--|--|--|--|
| 02-09-73 | A | | | | | | |
| FRM20214 | 05-08-72 | D | | | | | |
| FC020033 | 03-08-72 | C | | | | | |
| 10227 | 02-08-72 | B | | | | | |
| 02-09-73 | A | | | | | | |
| HONEYWELL FRAMINGHAM COMPUTER OPERATIONS OLD CONNECTICUT PATH, FRAMINGHAM, MASS 716 CENTRAL PROCESSOR COLUMN 4 07573 C 70032831 0009 0104 A | | | | | | | |

| | | | | |
|----------|----------|----------|----------|----------|
| AMPYH+ | 09U05 | 09A25 | 0116 | TRRYFW+P |
| 09U04 | 0127 | 0055 | RH05FF+ | 09B65 |
| 0123 | ERJMBH+ | IDCA05+ | 09U15 | 0129 |
| AU03SM+ | 09B01 | 09A13 | RH05FF- | Z0D09 |
| 09133 | 0136 | 0054 | 08T30 | 09T47 |
| 0117 | ERJAHU+ | IIOIRS- | RI05FF+ | ZUP08 |
| AU04SM+ | 09B54 | 09B12 | 09T50 | 08V17 |
| 09T37 | 0127 | 0147 | RJ05FF+ | ZUP09 |
| 0117 | ERJMH+ | IIREPI-H | 08T15 | 09V17 |
| AU05SM+ | 09A57 | 08A14 | RJ05FF- | |
| 09U50 | 0129 | 0134 | 08T11 | |
| 0117 | ERMAU+ | LRAIN1+ | RK05VE+ | |
| AU06SM+ | 09V33 | 09A17 | 09B22 | |
| 09U51 | 0127 | 0122 | 0124 | |
| 0117 | ERMBAD-A | LRAIN2- | RKXSM0- | |
| BADROS- | 09A66 | 09A18 | 09V01 | |
| 09B50 | 0138 | 0122 | 0124 | |
| 0051 | ERMMH+ | LRAIN4+ | R013FF+ | |
| B0050T+ | 09A53 | 09A19 | 0113 | |
| 07A10 | 0129 | 0122 | RPO5CY+ | |
| B0T05- | ERAMD+ | LRAINH- | 09T29 | |
| 07A24 | 09U34 | 09A64 | RPO6FF+ | |
| 0051 | 0150 | 0122 | 0106 | |
| CMDFW+ | ERMXX+ | LRATEH+ | RPO7FF+ | |
| 09B21 | 09A60 | 09A40 | 0107 | |
| 0128 | 0128 | 0122 | RPO8FF+ | |
| CMDRM+ | ER0BDW+ | LRBSHL+ | 0108 | |
| 09B45 | 0136 | 09T17 | RPO9CY+ | |
| 0128 | ER0BHL+ | 0123 | 09A30 | |
| CRMRSW- | 07B41 | LRBSHR+ | 0109 | |
| 0128 | 0136 | 09T02 | RS05CY- | |
| CRSRM+ | ERPMAH+ | 0123 | 09V18 | |
| 09V52 | 09U28 | LRMIN1+ | RS09CY- | |
| 0128 | 0129 | 09B68 | 09B52 | |
| EORBFW+ | ERKAU+ | 0128 | 0109 | |
| 09A03 | 09U07 | LRMIN2- | RY05CY+ | |
| 0123 | 0127 | 09A62 | 09V50 | |
| EAUMH+ | ERYAHU+ | 0128 | RY06FF- | |
| 09A55 | 09B56 | LRMIN4+ | 0106 | |
| 0129 | 0127 | 09B04 | RY07FF- | |
| EAUPPW+ | EPYMAH+ | 0128 | RY07FF- | |
| 09A34 | 09A37 | LRICNT+ | RY08FF- | |
| 0129 | 0129 | 09V45 | 0108 | |
| EBAMH+ | ERYMAH+ | 0129 | RY09CY+ | |
| 09U10 | 09U25 | MADD05- | 09B48 | |
| 0129 | 0129 | 09B53 | 0109 | |
| EBDAU+ | ESRAU+ | MDD05B+ | TPULSE+A | |
| 09V28 | 09B10 | 07B46 | 09B46 | |
| 0127 | 0127 | MDD05B- | 0118 | |
| EDCHW+ | HBIT05+ | 09B15 | TRRAF+W | |
| 09T20 | 08T53 | 0051 | 09B43 | |
| 0129 | 0055 | RA04FF+ | 0122 | |
| EJXMAH+ | HCLREG+ | 09A38 | TRRBF+W | |
| 09U12 | 09B42 | 0104 | 09A16 | |
| 0129 | 0055 | RA05FF+ | 0123 | |
| EMDRW+ | HCRHF+ | 02A25 | TRRFF+W | |
| 0136 | 08A46 | RA13FF+ | 09V44 | |
| EMFMAH+ | 0055 | 09A43 | 0128 | |
| 09U26 | HENHAU-H | 0113 | TRRIF+W | |
| 0129 | 09U52 | RB03FF+ | 09U03 | |
| ENRPF+ | 0126 | 09U08 | 0136 | |
| 09U02 | HENHAU-B | 0103 | TRRIF+W | |
| 0129 | 09V37 | RB04FF+ | 08A16 | |
| EOTBDW+A | 0126 | 09T48 | 0129 | |
| 0136 | HENTRH-P | 0104 | TRRFF+W | |
| ERRAU+ | 08A50 | RB06FF+ | 0128 | |
| 09A65 | 0055 | 0106 | TRR0FF+W | |
| 0127 | HMAFCH+ | RF05FF- | 0136 | |
| ERABD+ | 09U41 | 09B17 | TRRPF+W | |
| 0138 | 0128 | RF16FF- | 08T40 | |
| ERBAU+ | HMSCTL- | 09V20 | 0129 | |



BITS

| | | | | | | | | | |
|--|----------|----------|------|------|---|--|--|--|--|
| 02-09-73 | A | | | | | | | | |
| FRM20214 | 05-08-72 | D | | | | | | | |
| FC020033 | 03-08-72 | C | | | | | | | |
| 10227 | 02-08-72 | B | | | | | | | |
| 02-09-73 | A | | | | | | | | |
| HONEYWELL FRAMINGHAM COMPUTER OPERATIONS OLD CONNECTICUT PATH, FRAMINGHAM, MASS. | | | | | | | | | |
| 716 CENTRAL PROCESSOR COLUMN 5 | | | | | | | | | |
| 07573 | | | | | | | | | |
| | C | 70032831 | 0010 | 0105 | A | | | | |



| | | | |
|----------|----------|----------|----------|
| AMPYH+ | 09U05 | 09A25 | RH06FF+ |
| 09U04 | 0127 | 0055 | 08V49 |
| 0123 | ERIMH+ | DCR06+ | RH06FF- |
| AU04SM+ | 09B01 | 09A1 | 08V40 |
| 09137 | 0136 | 0054 | R106FF+ |
| 0117 | ERJAH+ | I1REPI-H | 09V38 |
| AU05SM+ | 09B54 | 08A14 | RJ06FF+ |
| 09U50 | 0127 | 0134 | 08T19 |
| 0117 | ERJAH+ | IMFLT+ | RJ06FF- |
| AU06SM+ | 09A57 | 09A21 | 08T07 |
| 09U51 | 0129 | 0137 | RKXSM- |
| 0117 | ERMAU+ | LRAIN1+ | 09V01 |
| AU07SM+ | 09V33 | 09A17 | 0124 |
| 09A37 | 0127 | 0122 | R014FF+ |
| 0117 | ERBAD-A | LRAIN2+ | 0114 |
| BADRO6- | 09A66 | 09A18 | RPO9CY+ |
| * 09B25 | 0138 | 0122 | 09A30 |
| 0051 | ERMAH+ | LRAIN+ | 0109 |
| B006MT+ | 09A53 | 09A19 | RPO9CY- |
| 07A07 | 0129 | 0122 | 09B52 |
| BDAT06- | ERMDW+ | LRAINH- | 0109 |
| 07A14 | 09U34 | 09A64 | RY09CY+ |
| 0051 | 0150 | 0122 | 09B48 |
| CDRWF+ | ERMRX+ | LRATEH+ | 0109 |
| 09B21 | 09A60 | 09A40 | TPULSE+A |
| 0128 | 0128 | 0122 | 09B46 |
| CDRHW+ | ER0BDW+ | LRBSHL+ | 0118 |
| 09B45 | 0136 | 09T17 | TRRFW+P |
| 0128 | ER0BHL+ | 0123 | 09B43 |
| CRMR5W- | 07B41 | LRBSHR+ | 0122 |
| 0128 | 0136 | 09T02 | TRRFW+P |
| CSRHW+ | ERPHW+ | 0123 | 09A16 |
| 09V52 | 09U28 | LRMIN1+ | 0123 |
| 0128 | 0129 | 09B68 | TRRFW+Q |
| EORBFW+ | ERXAU+ | 0128 | 09V44 |
| 09A03 | 09U07 | LRMIN2+ | 0128 |
| 0123 | 0127 | 09A62 | TRRFW+P |
| ERUHW+ | ERYAU+ | 0128 | 09U03 |
| 09A55 | 09B56 | LRMIN+ | 0136 |
| 0129 | 0127 | 09B04 | TRRFW+ |
| EAURPW- | ERYAH+ | 0128 | 08A16 |
| 09A34 | 09A37 | LYCNT+ | 0129 |
| 0129 | 0129 | 09V45 | TRRFW+Q |
| ERAWH+ | ERYAH+ | 0129 | 0128 |
| 09U10 | 09U25 | MADD06- | TRRFW+P |
| 0129 | 0129 | 09B49 | 0136 |
| EBDAU+ | ESRAU+ | MDO6BS+ | TRRFW+P |
| 09V28 | 09B10 | 07B42 | 08T40 |
| 0127 | 0127 | MDO6BS- | 0129 |
| EDCHW+ | HBIT06+ | 09B11 | TRRYF+P |
| 09T20 | 08T45 | 0051 | 09B65 |
| 0129 | 0055 | RA05FF+ | 0129 |
| EJXHW+ | HCLREG+ | 09A51 | ZG009 |
| 09U12 | 09B42 | 0105 | 09T47 |
| 0129 | 0055 | RA06FF+ | ZUP08 |
| EMDRW+ | HCRHFH- | 07A13 | 08V17 |
| 0136 | 08A46 | RA14FF+ | ZUP09 |
| EMFHW+ | 0055 | 09A24 | 09V17 |
| 09U26 | HENHAU+H | 0114 | |
| 0129 | 09U52 | RBO4FF+ | |
| ENRPFW+ | 0126 | 09T48 | |
| 09U02 | HENHAU-B | 0104 | |
| 0129 | 09V37 | RB05FF+ | |
| ESTBDW-A | 0126 | 0105 | |
| 0136 | HENTRH-P | RB07FF+ | |
| ERRAUH+ | 08A50 | 0107 | |
| 09A65 | 0055 | RF06FF- | |
| 0127 | HMAFCH+ | 09B13 | |
| ERABDW+ | 09U41 | RF16FF- | |
| 0138 | 0128 | 09V20 | |
| ERBAUH+ | HMSTCL- | 0116 | |

| | | | | | | | | | |
|----------|----------|---|--|--|--|--|--|--|--|
| 02-09-73 | A | | | | | | | | |
| FRM20214 | 05-08-72 | D | | | | | | | |
| FC020033 | 03-08-72 | C | | | | | | | |
| 10227 | 02-08-72 | B | | | | | | | |
| 02-09-73 | A | | | | | | | | |

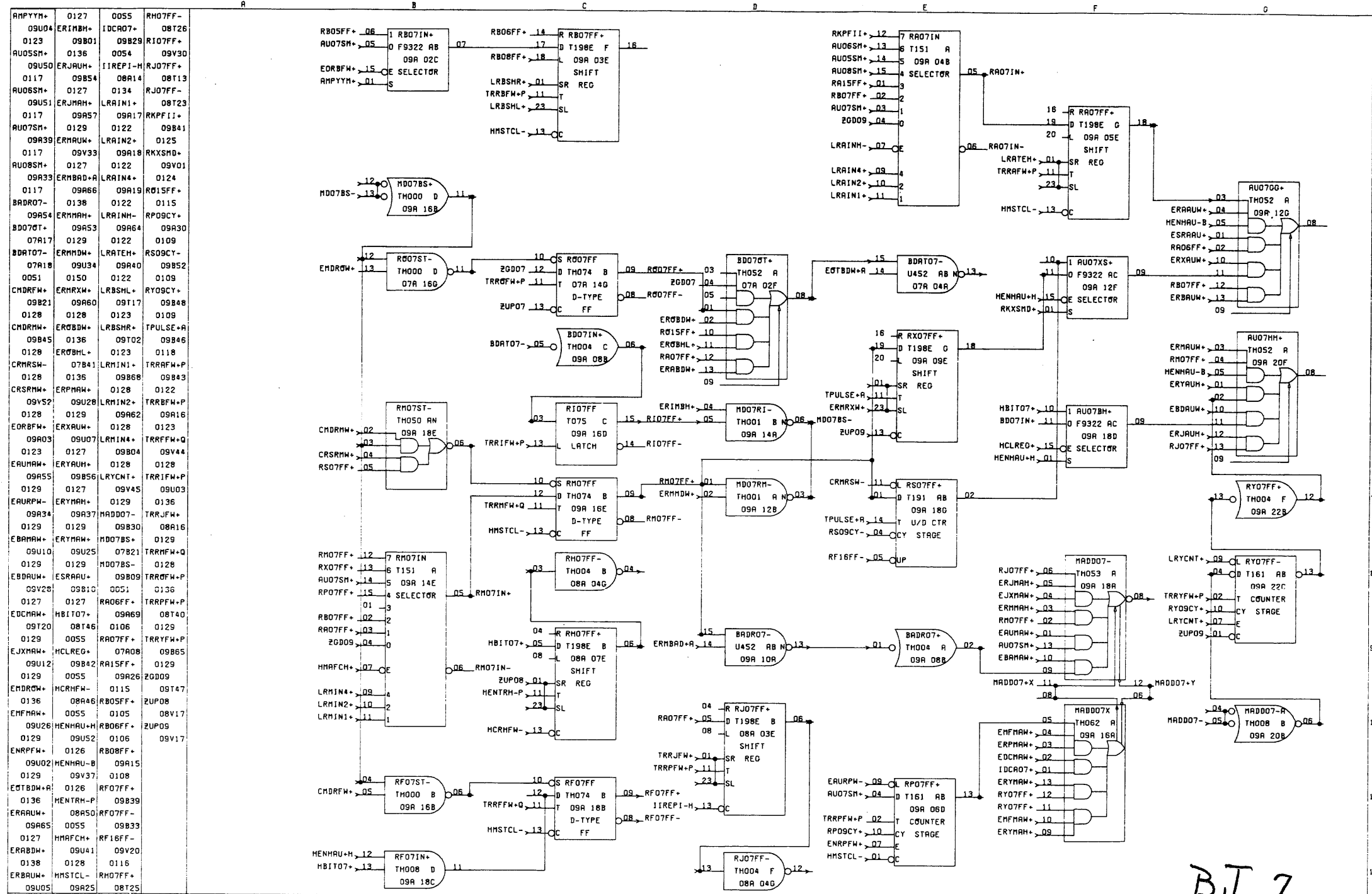
BIT 6

HONEYWELL
FRAMINGHAM COMPUTER OPERATIONS
OLD CONNECTICUT PATH, FRAMINGHAM, MASS.

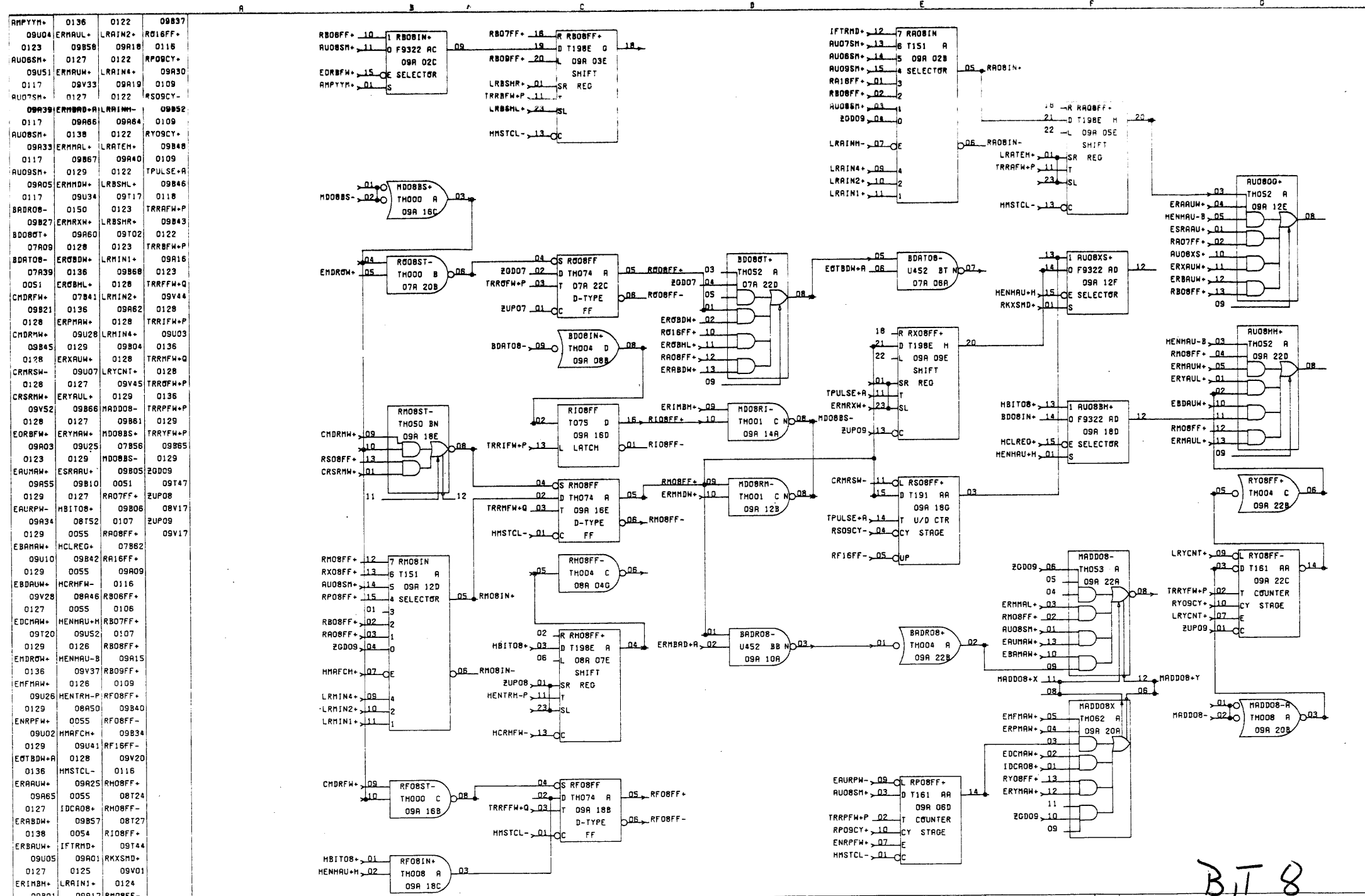
716 CENTRAL PROCESSOR
COLUMN 6

07573

C 70032831 0011 0106 A



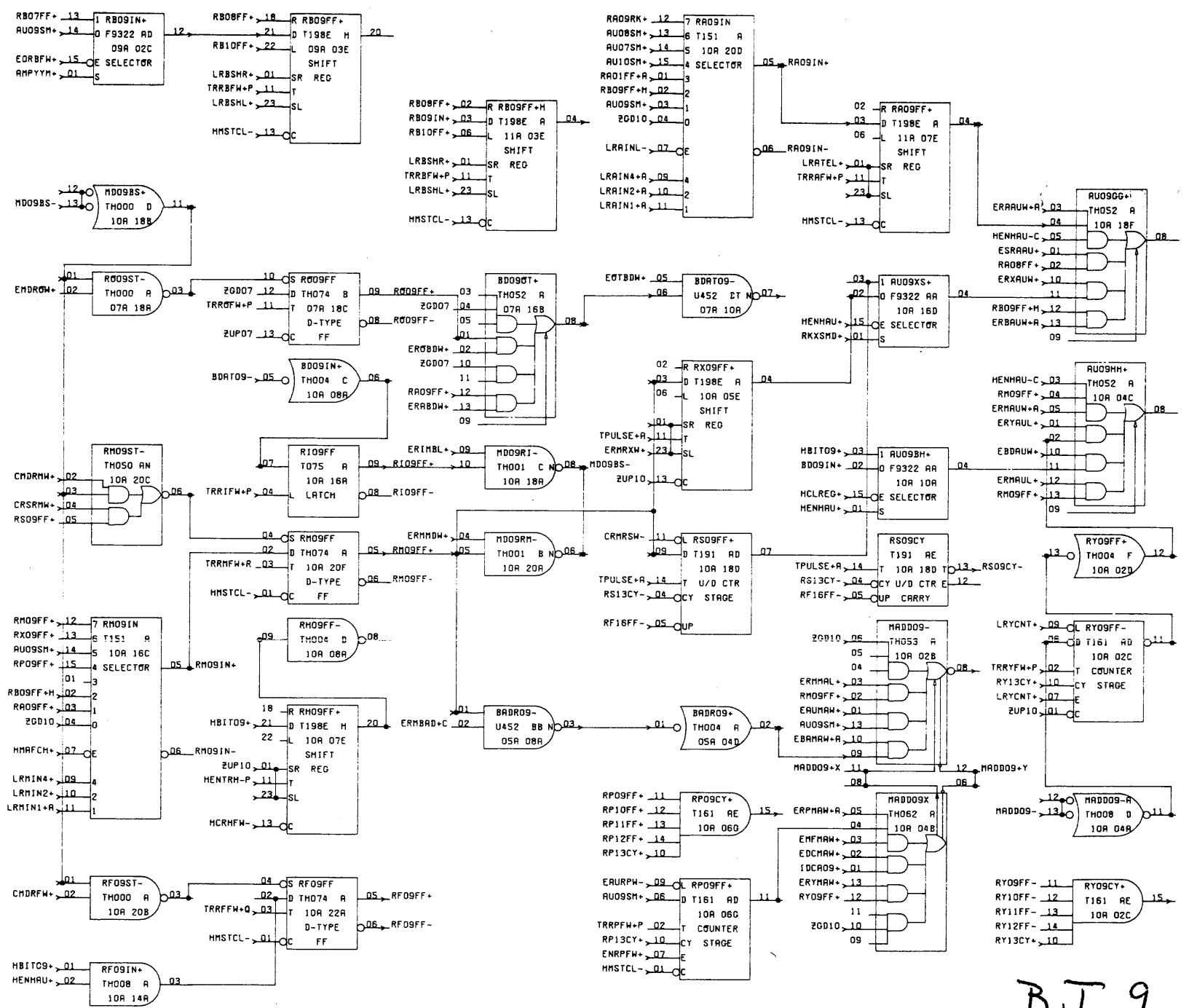
| | | | | | | | | | |
|--|----------|------|------|---|--|--|--|--|--|
| 02-09-73 | A | | | | | | | | |
| FRM20214 | 05-08-72 | D | | | | | | | |
| FC020033 | 03-08-72 | C | | | | | | | |
| 10227 | 02-08-72 | B | | | | | | | |
| 02-09-73 | A | | | | | | | | |
| HONEYWELL FRAMINGHAM COMPUTER OPERATIONS OLD CONNECTICUT PATH, FRAMINGHAM, MASS. | | | | | | | | | |
| 716 CENTRAL PROCESSOR COLUMN 7 | | | | | | | | | |
| 07573 | | | | | | | | | |
| | | | | | | | | | |
| C | 70032831 | 0012 | 0107 | A | | | | | |



BIT 8

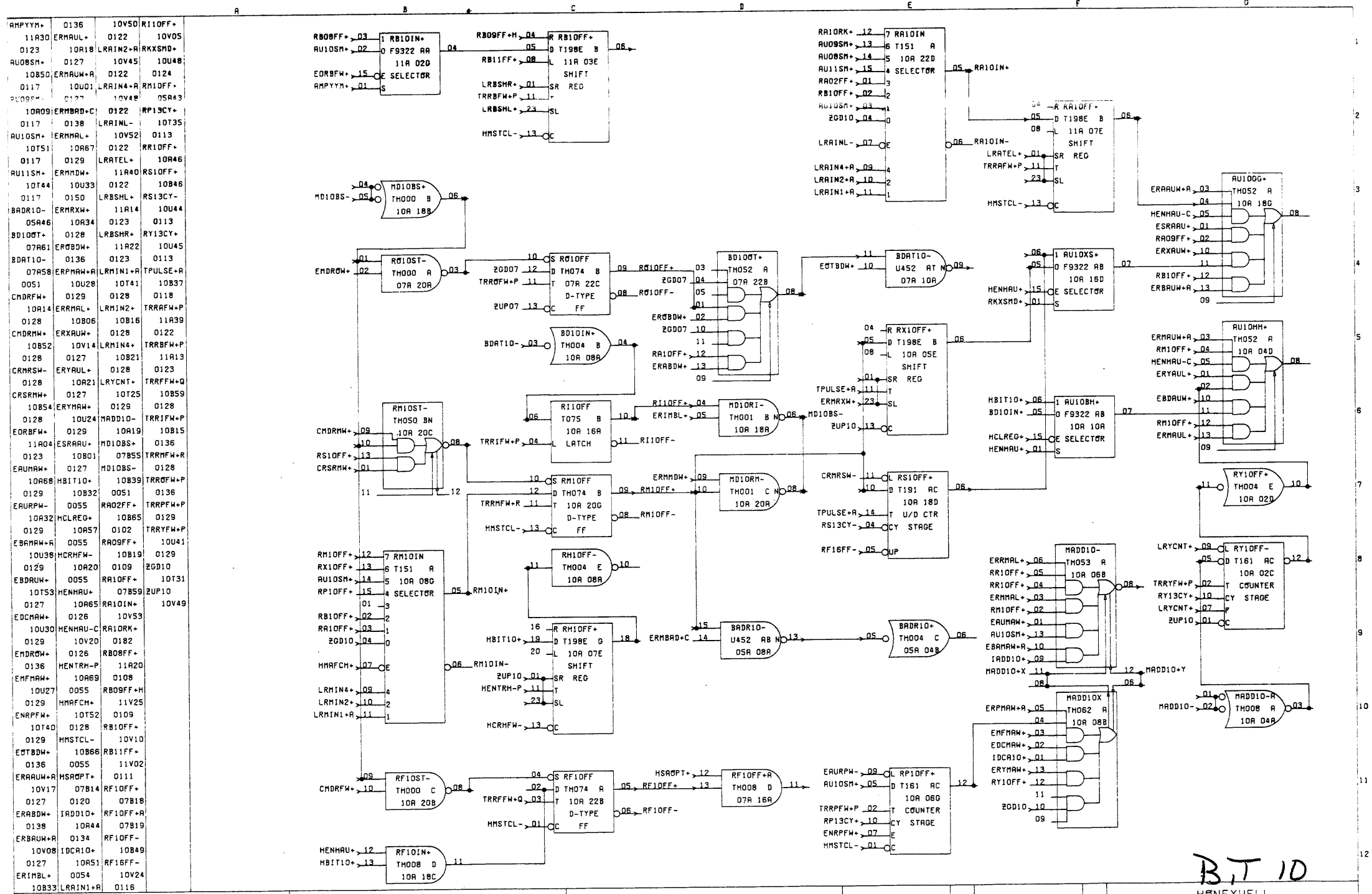
| | | | | | | | | | | | |
|--|--|--|--|-------------------|--|---|--|----------|------|------|---|
| | | | | 02-09-73 | | A | | | | | |
| | | | | FRM20214 05-08-72 | | D | | | | | |
| | | | | FC020033 03-08-72 | | C | | | | | |
| | | | | 10227 02-08-72 | | B | | | | | |
| | | | | 02-09-73 | | A | | | | | |
| | | | | | | | HONEYWELL FRAMINGHAM COMPUTER OPERATIONS OLD CONNECTICUT PATH, FRAMINGHAM, MASS. | | | | |
| | | | | | | | 716 CENTRAL PROCESSOR | | | | |
| | | | | | | | COLUMN 8 | | | | |
| | | | | | | | 07573 | | | | |
| | | | | | | | C | 70032831 | 0013 | 0108 | A |

| | | | |
|----------|----------|----------|----------|
| AMPYH+ | ERINBL+ | 10V4B | RPO9CY+ |
| 09U04 | 10B33 | 0122 | 10A13 |
| 0123 | 0136 | LRAINL- | RP10FF+ |
| AU07SM+ | ERMAUL+ | 10V52 | 0110 |
| 10B45 | 10A18 | 0122 | RP11FF+ |
| 0117 | 0127 | LRA TEL+ | 0111 |
| AU08SM+ | ERMAU+A | 11A40 | RP12FF+ |
| 10B50 | 10U01 | 0122 | 0112 |
| 0117 | 0127 | LRBSHL+ | RP13CY+ |
| AU09SM+ | ERMBAD+C | 09T17 | 10T35 |
| 09A05 | 0138 | 0123 | 0113 |
| 0117 | ERMAL+ | LRBSHR+ | RS09CY- |
| AU10SM+ | 10A67 | 09T02 | 10A33 |
| 10T51 | 0129 | 0123 | RS13CY- |
| 0117 | ERMMDH+ | LRMIN1+A | 10U44 |
| BADRO9+ | 10U33 | 10T41 | 0113 |
| 05A24 | 0150 | 0128 | RY09CY+ |
| BADRO9+ | ERARXW+ | LRMIN2+ | 10A60 |
| 05A58 | 10A34 | 10B16 | RY10FF- |
| BDO9OT+ | 0128 | 0128 | 0110 |
| 07A67 | ERABDW+ | LRMIN4+ | RY11FF- |
| BDO9T09+ | 0136 | 10B21 | 0111 |
| 07A64 | ERPAW+A | 0128 | RY12FF- |
| 0051 | 10U28 | LYCNT+ | 0112 |
| CMDRFW+ | 0129 | 10T25 | RY13CY+ |
| 10A14 | ERXAW+ | 0129 | 10U45 |
| 0128 | 10V14 | MADD09- | 0113 |
| CMDRW+ | 0127 | 10A28 | TPULSE+A |
| 10B52 | ERYAUL+ | MDO9BS+ | 10B37 |
| 0128 | 10A21 | 07A43 | 0118 |
| CRMSW+ | 0127 | MDO9BS- | TRRFW+P |
| 0128 | ERYMAH+ | 10B48 | 11A39 |
| CRSRM+ | 10U24 | 0051 | 0122 |
| 10B54 | 0129 | RA01FF+A | TRRFW+P |
| 0128 | ESRAU+ | 10B34 | 09A16 |
| EORBFW+ | 10B01 | 0101 | 0123 |
| 09A03 | 0127 | RA09FF+ | TRRFW+Q |
| 0123 | MBIT09+ | 10B42 | 10B59 |
| ERMAH+ | 10B14 | 0108 | 0128 |
| 10A68 | 0055 | RA09FF+ | TRRFW+P |
| 0129 | HCLREG+ | 07A42 | 10B15 |
| EAURPW+ | 10A57 | RA09IN+ | 0136 |
| 10A32 | 0055 | 10V32 | TRRFW+R |
| 0123 | HCRHFW+ | RA09AK+ | 0128 |
| EBMAH+A | 10A20 | 0134 | TRRFW+P |
| 10U38 | 0055 | RB07FF+ | 0136 |
| 0129 | HENHAU+ | 0107 | TRRFW+P |
| EBDAU+ | 10A65 | RB08FF+ | 0129 |
| 10T53 | 0126 | 09A15 | TRRYFW+P |
| 0127 | HENHAU-C | 0108 | 10U41 |
| EDCAH+ | 10V20 | RB09FF+H | 0129 |
| 10U30 | 0126 | 10V25 | ZGD10 |
| 0129 | HENTRH-P | RB09IN+ | 10T31 |
| ENDRW+ | 10A69 | 09A07 | ZUP10 |
| 0136 | 0055 | RB10FF+ | 10V49 |
| ENFMAH+ | HMAFCH+ | 09A08 | |
| 10U27 | 10T52 | 0110 | |
| 0129 | 0128 | RF09FF+ | |
| ENRPFW+ | HMSTCL- | 10B67 | |
| 10T40 | 09A25 | RF09FF- | |
| 0129 | 0055 | 10B44 | |
| ETBDW+ | IDCA09+ | RF16FF- | |
| 0136 | 10A24 | 10V24 | |
| ERRAU+A | 0054 | 0116 | |
| 10V17 | LRAIN1+A | RF09FF+ | |
| 0127 | 10V50 | 10U32 | |
| ERABDW+ | 0122 | RKXSMD+ | |
| 0138 | LRAIN2+A | 10U48 | |
| ERBAU+A | 10V45 | 0124 | |
| 10V08 | 0122 | RM09FF+ | |
| 0127 | LRAIN4+A | 05A53 | |



B.T 9

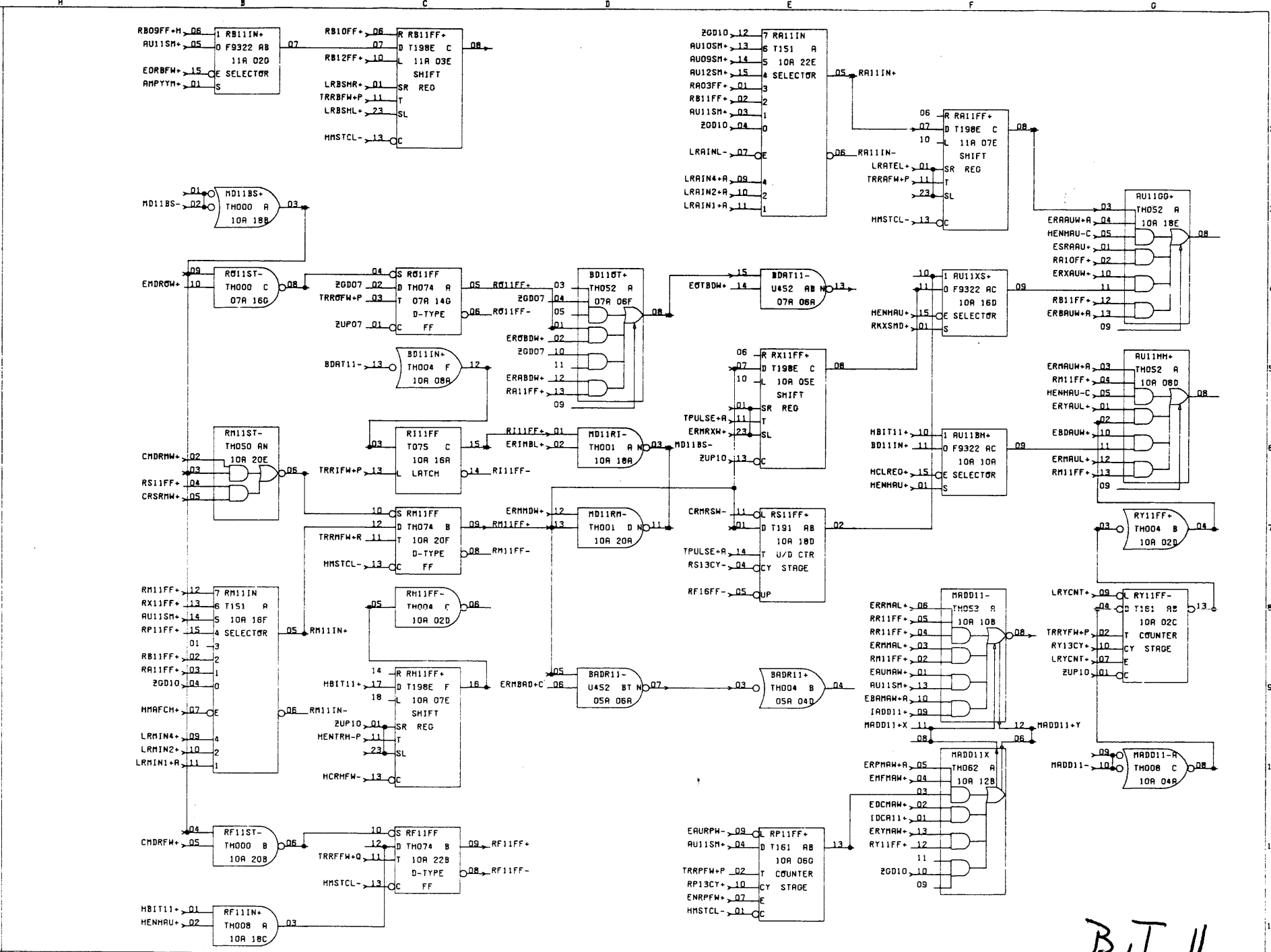
| | | | | | | | | |
|-------------------|---|--|--|--|----------|------|------|---|
| 02-09-73 | A | | | HONEYWELL FRAMINGHAM COMPUTER OPERATIONS OLD CONNECTICUT PATH, FRAMINGHAM, MASS. | | | | |
| FRM20214 05-08-72 | D | | | 716 CENTRAL PROCESSOR COLUMN 9 | | | | |
| FC020033 03-08-72 | C | | | | | | | |
| 10227 02-08-72 | B | | | 07573 | | | | |
| 02-09-73 | A | | | C | 70032831 | 0014 | 0109 | A |



B.T 10

| | | |
|---|---|------------------------|
| HONEYWELL | | |
| FRAMINGHAM COMPUTER OPERATIONS OLD CONNECTICUT PATH, FRAMINGHAM, MASS. | | |
| 716 CENTRAL PROCESSOR COLUMN 10 | | |
| 07573 | | |
| 02-09-73 | A | C 70032831 0015 0110 A |
| FRM20214 05-08-72 | D | |
| FC020033 03-08-72 | C | |
| 10227 02-08-72 | B | |
| 02-09-73 | A | |

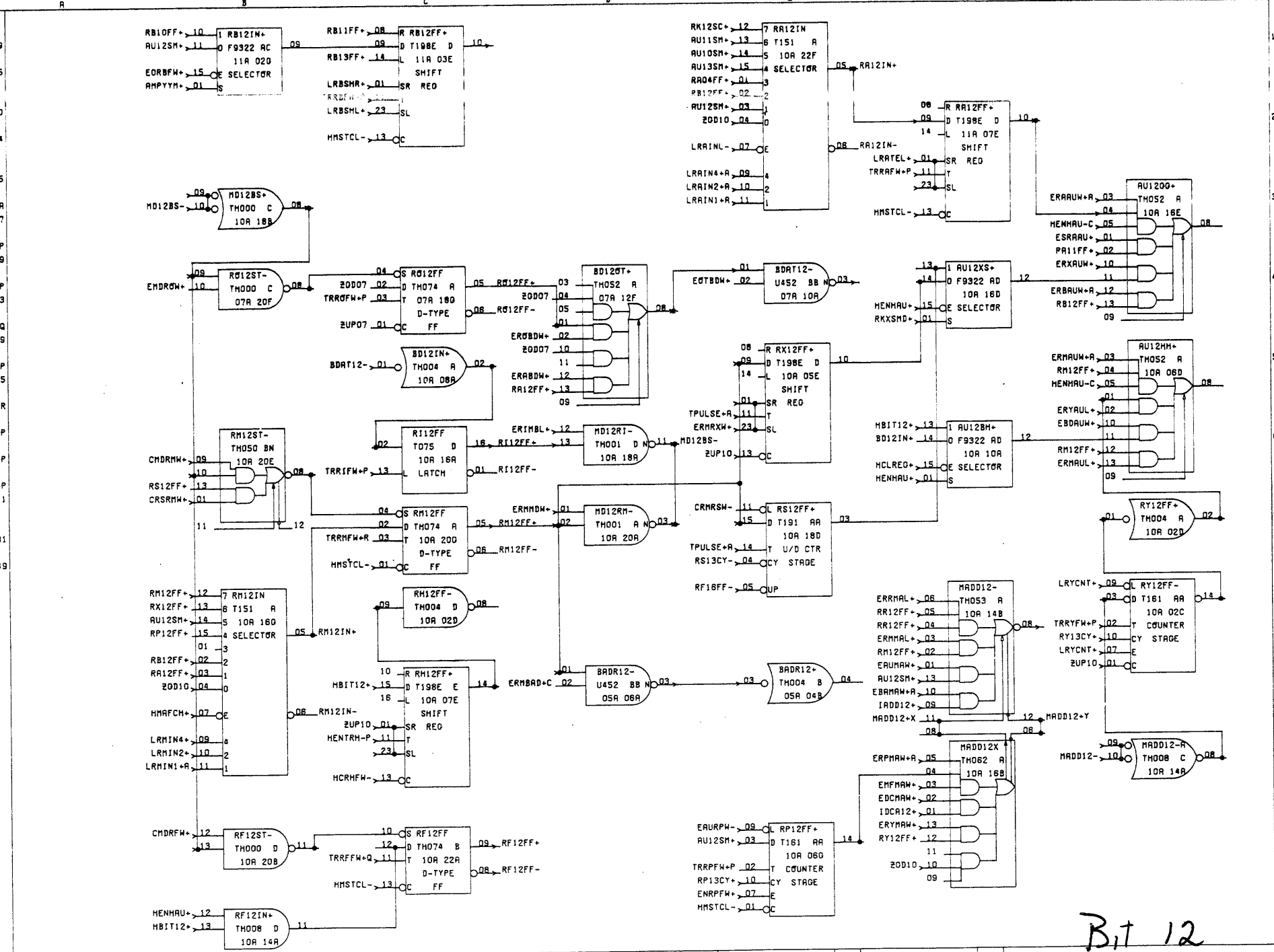
| AMPYYM+ | 10B33 | LRAIN2+A | 05A41 |
|---------|----------|----------|----------|
| 11A30 | 0136 | 10V45 | RP13CY+ |
| 0123 | ERMAUL- | 0122 | 10T35 |
| AU09SM+ | 10A18 | LRAIN4+A | 0113 |
| 10A09 | 0127 | 10V48 | RR11FF+ |
| 0117 | ERMAUM+A | 0122 | 10A31 |
| AU10SM+ | 10U01 | LRAINL- | RS13CY- |
| 10T51 | 0127 | 10V52 | 10U44 |
| 0117 | ERMBAD+C | 0122 | 0113 |
| AU11SM+ | 0138 | LRATEL+ | RY13CY+ |
| 10T44 | ERMAL+ | 11A40 | 10U45 |
| 0117 | 10A67 | 0122 | 0113 |
| AU12SM+ | 0129 | LRBSHL+ | TPULSE+A |
| 10T42 | ERMMDW+ | 11A14 | 10B37 |
| 0117 | 10U33 | 0123 | 0118 |
| BADR11- | 0150 | LRBSHR+ | TTRRFW+P |
| 05A40 | ERMAX+ | 11A22 | 11A39 |
| 0051 | 10A34 | 0123 | 0122 |
| BD110T+ | 0128 | LRMIN1+A | TTRRFW+P |
| 07A29 | ERQBDW+ | 10T41 | 11A13 |
| BDAT11- | 0136 | 0128 | 0123 |
| 07A28 | ERPMHW+A | LRMIN2+ | TTRFFW+Q |
| 0051 | 10U28 | 10B16 | 10B59 |
| CMDFW+ | 0129 | 0128 | 0128 |
| 10A14 | ERMAL+ | LRMIN4+ | TTRIFW+P |
| 0128 | 10B06 | 10B21 | 10B15 |
| CMDFW+ | ERXAU+ | 0128 | 0136 |
| 10B52 | 10V14 | LRYCNT+ | TTRMF+A |
| 0128 | 0127 | 10T25 | 0128 |
| CRMRSW- | ERYAUL+ | 0129 | TTRRFW+P |
| 0128 | 10A21 | MADD11- | 0136 |
| CRSRM+ | 0127 | 10A54 | TTRPFW+P |
| 10B54 | ERYMAW+ | MD11BS+ | 0129 |
| 0128 | 10U24 | 07B20 | TTRYFW+P |
| EORBFW+ | 0129 | MD11BS- | 10U41 |
| 11A04 | ESRAAU+ | 10B43 | 0129 |
| 0123 | 10B01 | 0051 | ZOD10 |
| ERMAW+ | 0127 | RA03FF+ | 10T31 |
| 10A68 | HBIT11+ | 10B62 | ZUP10 |
| 0129 | 10A61 | 0103 | 10V49 |
| ERURPW- | 0055 | RA10FF+ | |
| 10A32 | HCLREG+ | 10B12 | |
| 0129 | 10A57 | 0110 | |
| EBAMW+A | 0055 | RA11FF+ | |
| 10U38 | HCRHFW- | 07A52 | |
| 0129 | 10A20 | RA11IN+ | |
| EBDAW+ | 0055 | 10V54 | |
| 10T53 | HENHAU+ | RB09FF+H | |
| 0127 | 10A65 | 11V25 | |
| EDCAW+ | 0126 | 0109 | |
| 10U30 | HENHAU-C | RB10FF+ | |
| 0129 | 10V20 | 11A06 | |
| EMDRW+ | 0126 | 0110 | |
| 0136 | HENTRH-P | RB11FF+ | |
| ERFMAW+ | 10A69 | 10V02 | |
| 10U27 | 0055 | RB12FF+ | |
| 0129 | HMAFCH+ | 11V01 | |
| ENRPFW+ | 10T52 | 0112 | |
| 10T40 | 0128 | RF11FF+ | |
| 0129 | HMSTCL- | 10B13 | |
| EOTBDW+ | 10B66 | RF11FF- | |
| 0136 | 0055 | 10B30 | |
| ERAAW+A | MADD11+ | RF16FF- | |
| 10V17 | 10A59 | 10V24 | |
| 0127 | 0134 | 0116 | |
| ERABDW+ | IDCA11+ | RI11FF+ | |
| 0138 | 10B08 | 10U42 | |
| ERBAW+A | 0054 | RKXSHD+ | |
| 10V08 | LRMIN1+A | 10U48 | |
| 0127 | 10V50 | 0124 | |
| ERIMBL+ | 0122 | RM11FF+ | |



B.T II

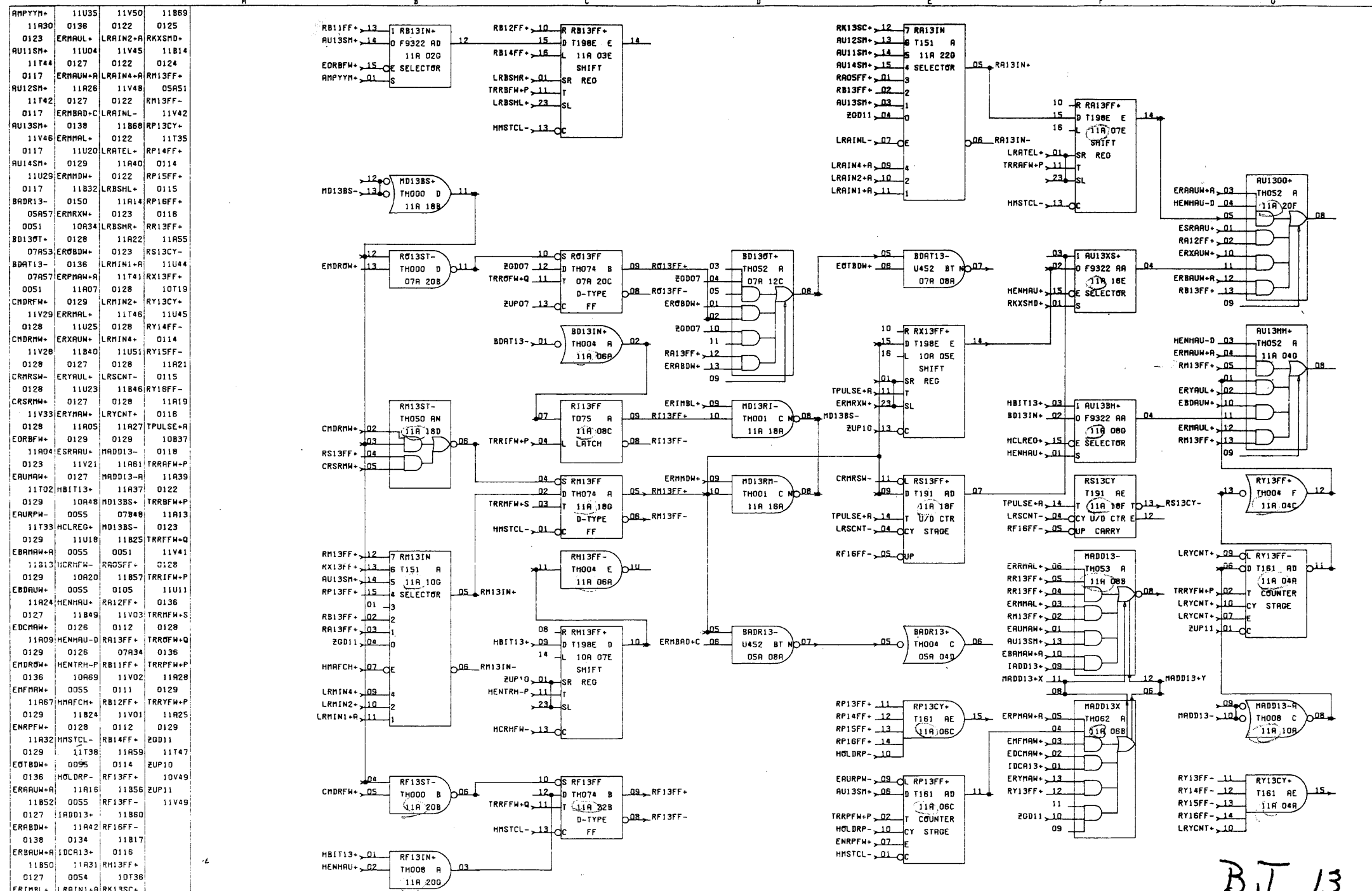
| | | | | | | | | | |
|--|----------|------|------|---|--|--|--|--|--|
| 02-09-73 | A | | | | | | | | |
| FRM20214 | 05-08-72 | D | | | | | | | |
| FC020033 | 03-08-72 | C | | | | | | | |
| 10227 | 02-08-72 | B | | | | | | | |
| 02-09-73 | A | | | | | | | | |
| HONEYWELL FRAMINGHAM COMPUTER OPERATIONS OLD CONNECTICUT PATH, FRAMINGHAM, MASS. | | | | | | | | | |
| 716 CENTRAL PROCESSOR COLUMN 11 | | | | | | | | | |
| 07573 | | | | | | | | | |
| C | 70032831 | 0016 | 0111 | A | | | | | |

| | | | |
|----------|----------|----------|----------|
| AMPYH+ | 10B33 | LRAINZ+A | 0124 |
| 11A30 | 0136 | 10V45 | RM12FF+ |
| 0123 | ERNHUL+ | 0122 | 05A39 |
| AUIOSM+ | 10A18 | LRAIN4+A | RP13CY+ |
| 10T51 | 0127 | 10V48 | 10T35 |
| 0117 | ERNHAW+A | 0122 | 0113 |
| AUI1SM+ | 10U01 | LKAINL | RK12FF+ |
| 10T44 | 0127 | 10V52 | 10A30 |
| 0117 | ERNHAD+C | 0122 | RS13CY- |
| AUI2SM+ | 0138 | LRATEL+ | 10U44 |
| 10T42 | ERNHML+ | 11A40 | 0113 |
| 0117 | 10A67 | 0122 | RY13CY+ |
| AUI3SM+ | 0129 | LRBSML+ | 10U45 |
| 10V46 | ERMMDW+ | 11A14 | 0113 |
| 0117 | 10U33 | 0123 | TPULSE+A |
| BADR12- | 0150 | LRBSMR+ | 10B37 |
| 05A50 | ERMHXW+ | 11A22 | 0118 |
| 0051 | 10A34 | 0123 | TRRFW+P |
| BD12OT+ | 0128 | LRMINI+A | 11A39 |
| 07A69 | ERBBDW+ | 10T41 | 0122 |
| BDAT12- | 0136 | 0128 | TRRFW+P |
| 07A69 | ERMHW+A | LRMINZ+ | 11A13 |
| 0051 | 10U28 | 10B16 | 0123 |
| CMDFW+ | 0129 | 0128 | TRRFW+Q |
| 10A14 | ERRMAL+ | LRMIN4+ | 10B59 |
| 0128 | 10B06 | 10B21 | 0128 |
| CMDFW+ | ERXAW+ | 0128 | TRRFW+P |
| 10B52 | 10V14 | LYCNT+ | 10B15 |
| 0128 | 0127 | 10T25 | 0136 |
| CMRSH- | ERYAUL+ | 0129 | TRRFW+R |
| 0128 | 10A21 | MADD12- | 0128 |
| CRSRW+ | 0127 | 10B03 | TRRFW+P |
| 10B54 | ERYHAW+ | MD12BS+ | 0136 |
| 0128 | 10U24 | 07B51 | TRRFW+P |
| EDRBFW+ | 0129 | MD12BS- | 0129 |
| 11A04 | ESRAAU+ | 10B60 | TRRFW+P |
| 0123 | 10B01 | 0051 | 10U41 |
| EAUMW+ | 0127 | RD4FF+ | 0129 |
| 10A68 | HB1T12+ | 10B68 | ZOD10 |
| 0129 | 10B04 | 0104 | 10T31 |
| EAURPW- | 0055 | RA11FF+ | ZUP10 |
| 10A32 | HCLREG+ | 10B07 | 10V49 |
| 0129 | 10A57 | 0111 | |
| EBRHMW+A | 0055 | RA12FF+ | |
| 10U38 | HCRHF- | 07B06 | |
| 0129 | 10A20 | RA12IN+ | |
| EBDAUW+ | 0055 | 10V43 | |
| 10T53 | HENHAW+ | RB10FF+ | |
| 0127 | 10A65 | 11A06 | |
| EDCHAW+ | 0128 | 0110 | |
| 10U30 | HENHAW-C | RB11FF+ | |
| 0129 | 10V20 | 11V02 | |
| EMDRW+ | 0126 | 0111 | |
| 0136 | HENTRH-P | RB12FF+ | |
| EMFHW+ | 10A69 | 10V01 | |
| 10U27 | 0055 | RB13FF+ | |
| 0129 | HMFCH+ | 0113 | |
| ENRPFW+ | 10T52 | RF12FF+ | |
| 10T40 | 0128 | 10B56 | |
| 0129 | HNSTCL- | RF12FF- | |
| EDTBDW+ | 10B66 | 10B55 | |
| 0136 | 0055 | RF16FF- | |
| ERAAUW+A | IADD12+ | 10V24 | |
| 10V17 | 10B18 | 0116 | |
| 0127 | 0134 | RI12FF+ | |
| ERABDW+ | IDCA12+ | 10U39 | |
| 0138 | 10B25 | RK12SC+ | |
| ERBAUW+A | 0054 | 10B53 | |
| 10V08 | LRAIN1+A | 0125 | |
| 0127 | 10V50 | RKXSD+ | |
| ERIMBL+ | 0122 | 10U48 | |



Bit 12

| | | | | | |
|---|----------|------|------|---|--|
| 02-09-73 | A | | | | |
| FRM20214 | 05-08-72 | D | | | |
| FC020033 | 03-08-72 | C | | | |
| 10227 | 02-08-72 | B | | | |
| 02-09-73 | A | | | | |
| HONEYWELL FRAMINGHAM COMPUTER OPERATIONS OLD CONNECTICUT PATH, FRAMINGHAM, MASS | | | | | |
| 716 CENTRAL PROCESSOR COLUMN 12 | | | | | |
| 07573 | | | | | |
| C | 70032831 | 0017 | 0112 | A | |



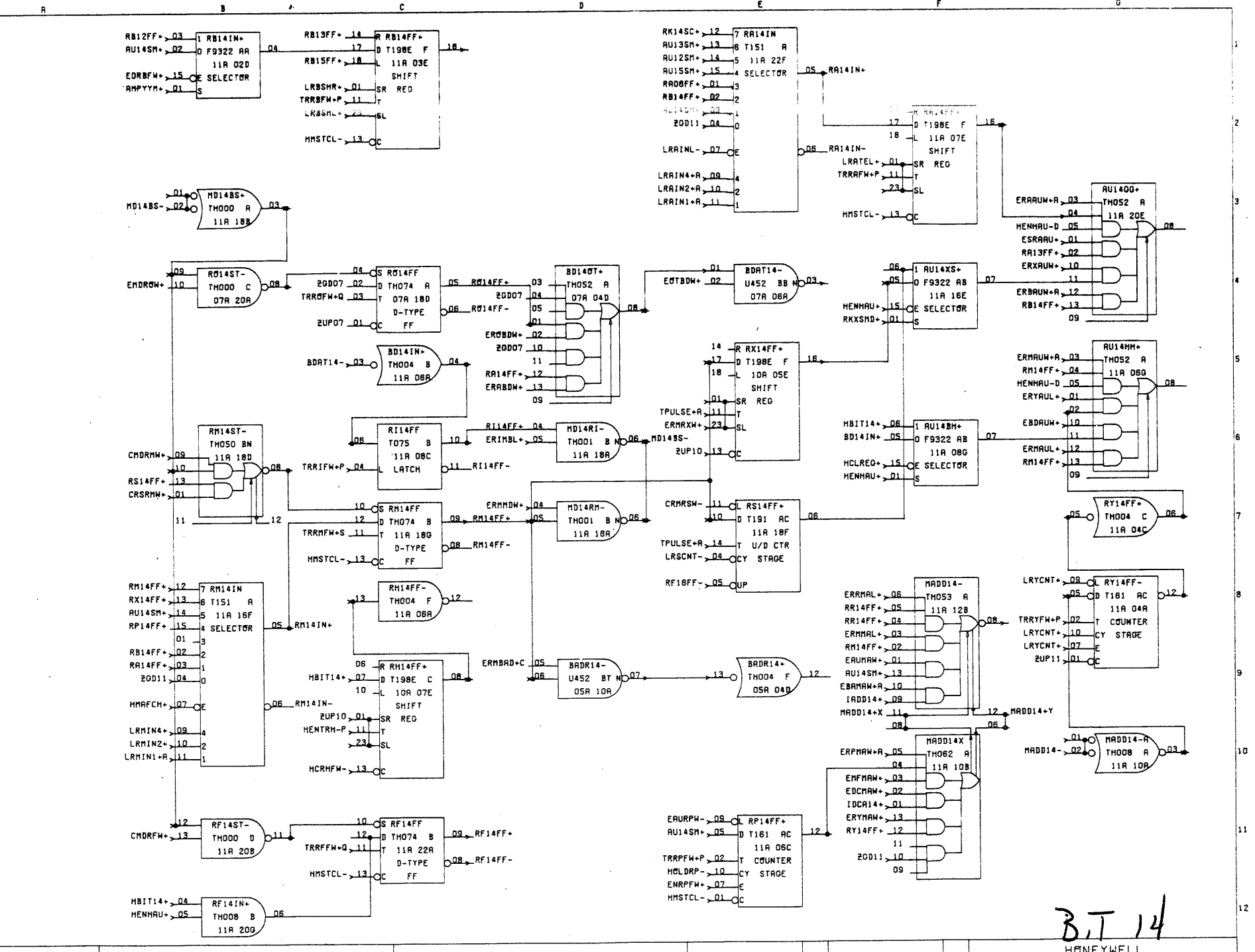
B.T 13

| | | | |
|----------|----------|----------|----------|
| RMPYH+ | 11035 | 11V50 | 11B59 |
| 11A30 | 0136 | 0122 | 0125 |
| 0123 | ERMAUL+ | LRAIN2+A | RKXSMO+ |
| AUI1SM+ | 11U04 | 11V45 | 11B14 |
| 11T44 | 0127 | 0122 | 0124 |
| 0117 | ERMAUL+A | LRAIN4+A | RM13FF+ |
| AUI2SM+ | 11A26 | 11V48 | 05A51 |
| 11T42 | 0127 | 0122 | RM13FF+ |
| 0117 | ERMBAD+C | LRAINL- | 11V42 |
| AUI3SM+ | 0138 | 11B68 | RP13CY+ |
| 11V46 | ERMAL+ | 0122 | 11T35 |
| 0117 | 11U20 | LRATEL+ | RP14FF+ |
| AUI4SM+ | 0129 | 11A40 | 0114 |
| 11U29 | ERMMDW+ | 0122 | RP15FF+ |
| 0117 | 11B32 | LRSML+ | 0115 |
| BADR13- | 0150 | 11A14 | RP16FF+ |
| 05A57 | ERMRXH+ | 0123 | 0116 |
| 0051 | 10A34 | LBSHR+ | RR13FF+ |
| BD13OT+ | 0128 | 11A22 | 11A55 |
| 07A53 | ERBBOW+ | 0123 | RS13CY+ |
| BDAT13- | 0136 | LRMINI+A | 11U44 |
| 07A57 | ERPMAH+A | 11T41 | RX13FF+ |
| 0051 | 11A07 | 0128 | 10T19 |
| CDRNFW+ | 0129 | LRMIN2+ | RY13CY+ |
| 11V29 | ERMAL+ | 11T46 | 11U45 |
| 0128 | 11U25 | 0128 | RY14FF+ |
| CDRDMW+ | ERXAUM+ | LRMIN4+ | 0114 |
| 11V28 | 11B40 | 11U51 | RY15FF+ |
| 0128 | 0127 | 0128 | 11A21 |
| CRMRSM- | ERYAUL+ | LRSCNT- | 0115 |
| 0128 | 11U23 | 11A46 | RY16FF+ |
| CRSRMW+ | 0127 | 0128 | 11A19 |
| 11V33 | ERYMAH+ | LRSCNT+ | 0116 |
| 0128 | 11A05 | 11A27 | TPULSE+A |
| ERBFW+ | 0129 | 0129 | 10B37 |
| 11A04 | ESRAAU+ | MADD13- | 0118 |
| 0123 | 11V21 | 11A61 | TRRFW+P |
| EAUMAH+ | 0127 | MADD13+A | 11A39 |
| 11T02 | HBIT13+ | 11A37 | 0122 |
| 0129 | 10A48 | MD13BS+ | TRRFW+P |
| EAUPW+ | 0055 | 07A48 | 11A13 |
| 11T33 | HCLREG+ | MD13BS- | 0123 |
| 0129 | 11U18 | 11B25 | TRRFW+Q |
| EBAMAH+A | 0055 | 0051 | 11V41 |
| 11B13 | HCRNFH+ | RAOSFF+ | 0128 |
| 0129 | 10A20 | 11B57 | TRRFW+P |
| EBDAUM+ | 0055 | 0105 | 11U11 |
| 0127 | 11B49 | 11V03 | TRRFW+S |
| EDCMW+ | 0126 | 0112 | 0128 |
| 11A09 | HENHAU-D | RA13FF+ | TRROFW+Q |
| 0129 | 0128 | 07A34 | 0136 |
| EMDRW+ | HENTRH-P | RB11FF+ | TRPFW+P |
| 0136 | 10A69 | 11V02 | 11A28 |
| EMFAMW+ | 0055 | 0111 | 0129 |
| 11A67 | HMAFCH+ | RB12FF+ | TRRYFW+P |
| 0129 | 11B24 | 11V01 | 11A25 |
| ENRPFW+ | 0128 | 0112 | 0129 |
| 11A32 | HMSTCL- | RB14FF+ | Z0D11 |
| 0129 | 11T38 | 11A59 | 11T47 |
| EOTBDW+ | 0095 | 0114 | ZUP10 |
| 0136 | HOLDRP- | RF13FF+ | 10V49 |
| ERAAUH+A | 11A15 | 11B56 | ZUP11 |
| 11B52 | 0055 | RF13FF- | 11V49 |
| 0127 | MADD13- | 11B50 | |
| ERABDW+ | 11A42 | RF16FF+ | |
| 0138 | 0134 | 11B17 | |
| ERBAUH+A | 10CA13+ | 0116 | |
| 11B50 | 11A31 | RM13FF+ | |
| 0127 | 0054 | 10T38 | |
| ERTMBL+ | LRAIN1+A | RK13SC+ | |

| | |
|-------------------|---|
| 02-09-73 | A |
| FRM20214 05-08-72 | D |
| FC020033 03-08-72 | C |
| 10227 02-08-72 | B |
| 02-09-73 | A |

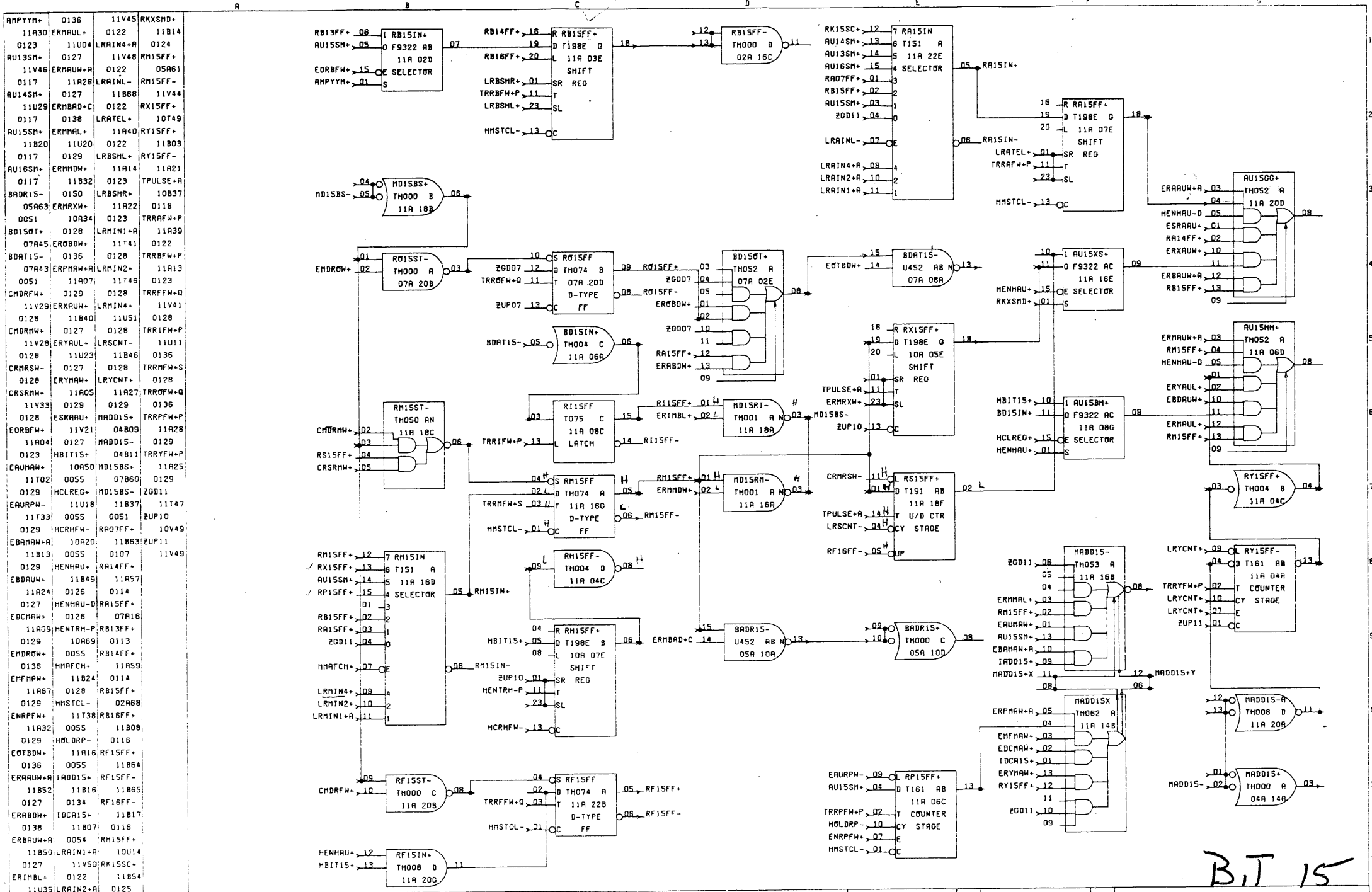
| | | | |
|--|----------|------|------|
| HONEYWELL | | | |
| FRAMINGHAM COMPUTER OPERATIONS | | | |
| OLD CONNECTICUT PATH, FRAMINGHAM, MASS | | | |
| 716 CENTRAL PROCESSOR | | | |
| COLUMN 13 | | | |
| 07573 | | | |
| C | 70032831 | 0018 | 0113 |
| A | | | |

| | | | |
|-----------|----------|----------|----------|
| AMPYH+ | 0136 | 0122 | 11839 |
| 11A30 | ERMAUL+ | LRAIN2+A | 0125 |
| 0123 | 11U04 | 11V45 | RKXSHD+ |
| AUI2SM+ | 0127 | 0122 | 11B14 |
| 11T42 | ERMAUL+A | LRAIN4+A | 0124 |
| 0117 | 11A26 | 11V48 | RM14FF+ |
| AUI3SM+ | 0127 | 0122 | 05B65 |
| 11V46 | ERMBAD+C | LRAINL- | RR14FF+ |
| 0117 | 0136 | 11B68 | 11B04 |
| AUI4SM+ | ERMMAL+ | 0122 | RX14FF+ |
| 11U29 | 11U20 | LRATEL+ | 10T32 |
| 0117 | 0129 | 11A40 | TPULSE+A |
| AUI5SM+ | ERMDH+ | 0122 | 10B37 |
| 11B20 | 11B32 | LRBSHL+ | 0118 |
| 0117 | 0150 | 11A14 | TRRFW+P |
| BADR14- | ERARXW+ | 0123 | 11A39 |
| 05A67 | 10A34 | LRBSHR+ | 0122 |
| BD14OT+ | 0128 | 11A22 | TRRFW+P |
| 07A40 | ERABDH+ | 0123 | 11A13 |
| BDAT14- | 0136 | LRMIN1+A | 0123 |
| 07A38 | ERPMAH+A | 11T41 | TRFFW+Q |
| 0051 | 11A07 | 0128 | 11V41 |
| CHDRFW+ | 0129 | LRMIN2+ | 0128 |
| 11V29 | ERARMAL+ | 11T46 | TRRIFW+P |
| 0128 | 11U25 | 0128 | 11U11 |
| CHDRMW+ | ERXAW+ | LRMIN4+ | 0136 |
| 11V28 | 11B40 | 11U51 | TRRMFW+S |
| 0128 | 0127 | 0128 | 0128 |
| CRMRSH- | ERYAUL+ | LASCNT- | TRROFW+Q |
| 0128 | 11U23 | 11B46 | 0136 |
| CRSRMH+ | 0127 | 0128 | TRRFW+P |
| 11V33 | ERYMAH+ | LRYCNT+ | 11A28 |
| 0128 | 11A05 | 11A27 | 0129 |
| EORBFW+ | 0129 | 0129 | TRRYFW+P |
| 11A04 | ESRAAU+ | MADD14- | 11A25 |
| 0123 | 11V21 | 11A69 | 0129 |
| EAUMAH+ | 0127 | MADD14-A | ZOD11 |
| 11T02 | HBIT14+ | 11B12 | 11T47 |
| 0129 | 10A49 | MD14BS+ | ZUP10 |
| EAURPW- | 0055 | 07B45 | 10V49 |
| 11T33 | HCLREG+ | MD14BS- | ZUP11 |
| 0129 | 11U18 | 11B27 | 11V49 |
| EBAMAH+A | 0055 | 0051 | |
| 11B13 | HCRHFW- | RAO6FF+ | |
| 0129 | 10A20 | 11B67 | |
| EDBAUW+ | 0055 | 0106 | |
| 11A24 | HENHAU+ | RA13FF+ | |
| 0127 | 11B49 | 11A44 | |
| EDCHAW+ | 0126 | 0113 | |
| 11A09 | HENHAU-D | RA14FF+ | |
| 0129 | 0126 | 07A19 | |
| ENDROW+ | HENTRH-P | RB12FF+ | |
| 0136 | 10A69 | 11V01 | |
| ENFMAH+ | 0055 | 0112 | |
| 11A67 | HMAFCH+ | RB13FF+ | |
| 0129 | 11B24 | 0113 | |
| ENRPFW+ | 0128 | RB14FF+ | |
| 11A32 | HMSTCL- | 11A59 | |
| 0129 | 11T38 | RB15FF+ | |
| EOTBDW+ | 0055 | 11A66 | |
| 0136 | HOLDRP- | 0115 | |
| ERAAUW+A | 11A16 | RF14FF+ | |
| 11B52 | 0055 | 11B59 | |
| 0127 | IADD14+ | RF14FF- | |
| ERABDW+ | 11B01 | 11B61 | |
| 0138 | 0134 | RF16FF- | |
| ERBRAUW+A | IDCA14+ | 11B17 | |
| 11B50 | 11A54 | 0116 | |
| 0127 | 0054 | RM14FF+ | |
| ERIMBL+ | LRMIN1+A | 10T37 | |
| 11U35 | 11V50 | RK14SC+ | |



B.T 14

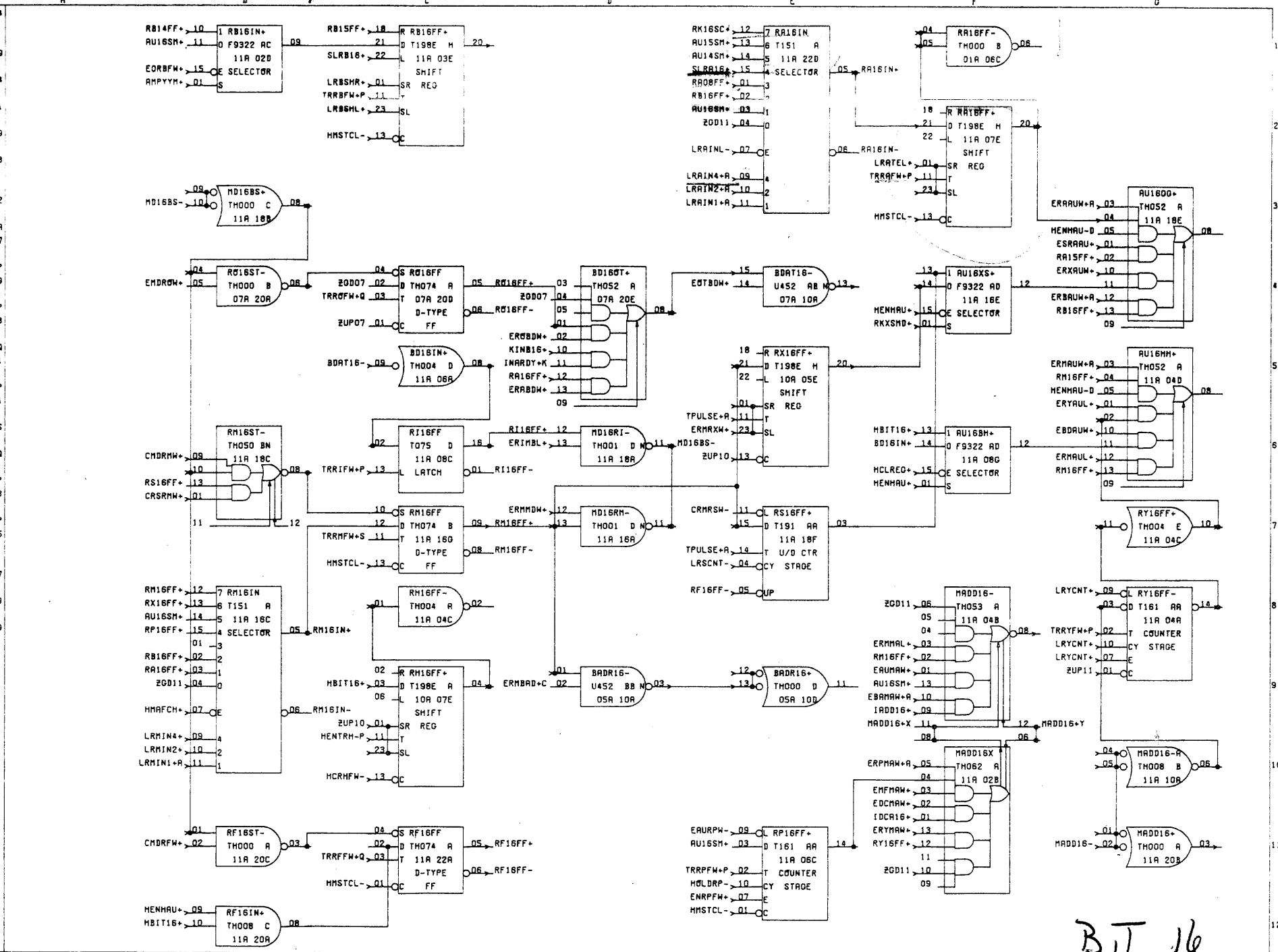
| | | | | | | | |
|----------|----------|---|--|---|--|--|--|
| 02-09-73 | A | | | HONEYWELL FRAMINGHAM COMPUTER OPERATIONS 5LD CONNECTICUT PATH, FRAMINGHAM, MASS | | | |
| FRM20214 | 05-08-72 | D | | 716 CENTRAL PROCESSOR COLUMN 14 | | | |
| FC020033 | 03-08-72 | C | | 07573 | | | |
| 10227 | 02-08-72 | B | | 70032831 0019 0114 A | | | |
| 02-09-73 | A | | | C | | | |



| | | | |
|---------|----------|----------|----------|
| AMPYMA+ | 0136 | 11V45 | RKXSM+ |
| 11A30 | ERMAL+ | 0122 | 11B14 |
| 0123 | 11U04 | LRAIN+A | 0124 |
| AUISSM+ | 0127 | 11V48 | RM15FF+ |
| 11V48 | ERMAU+A | 0122 | 05A61 |
| 0117 | 11A26 | LRAINL- | RM15FF- |
| AUI4SM+ | 0127 | 11B68 | 11V44 |
| 11U29 | ERMBAD+C | 0122 | RX15FF+ |
| 0117 | 0138 | LRA TEL+ | 10T49 |
| AUISSM+ | ERMAL+ | 11A40 | RY15FF+ |
| 11B20 | 11U20 | 0122 | 11B03 |
| 0117 | 0129 | LRBSHL+ | RY15FF- |
| AUI6SM+ | ERMMDW+ | 11A14 | 11A21 |
| 0117 | 11B32 | 0123 | TPULSE+A |
| BADR15- | 0150 | LRBSHR+ | 10B37 |
| 05A63 | ERMXX+ | 11A22 | 0118 |
| 0051 | 10A34 | 0123 | TRRAF+W |
| BD150T+ | 0128 | LRMIN1+A | 11A39 |
| 07A45 | ERBDW+ | 11T41 | 0122 |
| BDAT15- | 0136 | 0128 | TRRFW+P |
| 07A43 | ERPMAH+A | LRMIN2+ | 11A13 |
| 0051 | 11A07 | 11T48 | 0123 |
| CMDRFW+ | 0129 | 0128 | TRRFW+Q |
| 11V29 | ERXAU+ | LRMIN+ | 11V41 |
| 0128 | 11B40 | 11U51 | 0128 |
| CMDRM+ | 0127 | 0128 | TRRFW+P |
| 11V28 | ERYAUL+ | LRSCNT- | 11U11 |
| 0128 | 11U23 | 11B46 | 0136 |
| CRMRSW- | 0127 | 0128 | TRRFW+S |
| 0128 | ERYMAH+ | LRYCNT+ | 0128 |
| CRSRM+ | 11A05 | 11A27 | TRRFW+Q |
| 11V33 | 0129 | 0129 | 0136 |
| 0128 | ESRAU+ | MADD15- | TRRFW+P |
| EORBFW+ | 11V21 | 04B09 | 11A28 |
| 11A04 | 0127 | MADD15- | 0129 |
| 0123 | HBIT15+ | 04B11 | TRRYFW+P |
| ERMAH+ | 10A50 | MD15BS+ | 11A25 |
| 11T02 | 0055 | 07B60 | 0129 |
| 0129 | HCLREQ+ | MD15BS- | ZOD11 |
| EAURPW- | 11U18 | 11B37 | 11T47 |
| 11T33 | 0055 | 0051 | ZUP10 |
| 0129 | HCRHFW- | RA07FF+ | 10V49 |
| ERMAH+A | 10A20 | 11B63 | ZUP11 |
| 11B13 | 0055 | 0107 | 11V49 |
| 0129 | HENHAU+ | RA14FF+ | |
| EBDAU+ | 11B49 | 11A57 | |
| 11A24 | 0126 | 0114 | |
| 0127 | HENHAU-D | RA15FF+ | |
| EDCAH+ | 0126 | 07A16 | |
| 11A09 | HENTRM-P | RB13FF+ | |
| 0129 | 10A69 | 0113 | |
| ENDRW+ | 0055 | RB14FF+ | |
| 0136 | HMAFCH+ | 11A59 | |
| EMFMAH+ | 11B24 | 0114 | |
| 11A67 | 0128 | RB15FF+ | |
| 0129 | HMSTCL- | 02A68 | |
| ENRPFW+ | 11T38 | RB16FF+ | |
| 11A32 | 0055 | 11B08 | |
| 0129 | HOLDRP- | 0116 | |
| EOTBDW+ | 11A16 | RF15FF+ | |
| 0136 | 0055 | 11B64 | |
| ERRAU+A | MADD15- | RF15FF- | |
| 11B52 | 11B16 | 11B65 | |
| 0127 | 0134 | RF16FF- | |
| ERABDW+ | LDCA15+ | 11B17 | |
| 0138 | 11B07 | 0116 | |
| ERBAU+A | 0054 | RM15FF+ | |
| 11B50 | LRMIN1+A | 10U14 | |
| 0127 | 11V50 | RK15SC+ | |
| ERIMBL+ | 0122 | 11B54 | |
| 11U35 | LRMIN2+A | 0125 | |

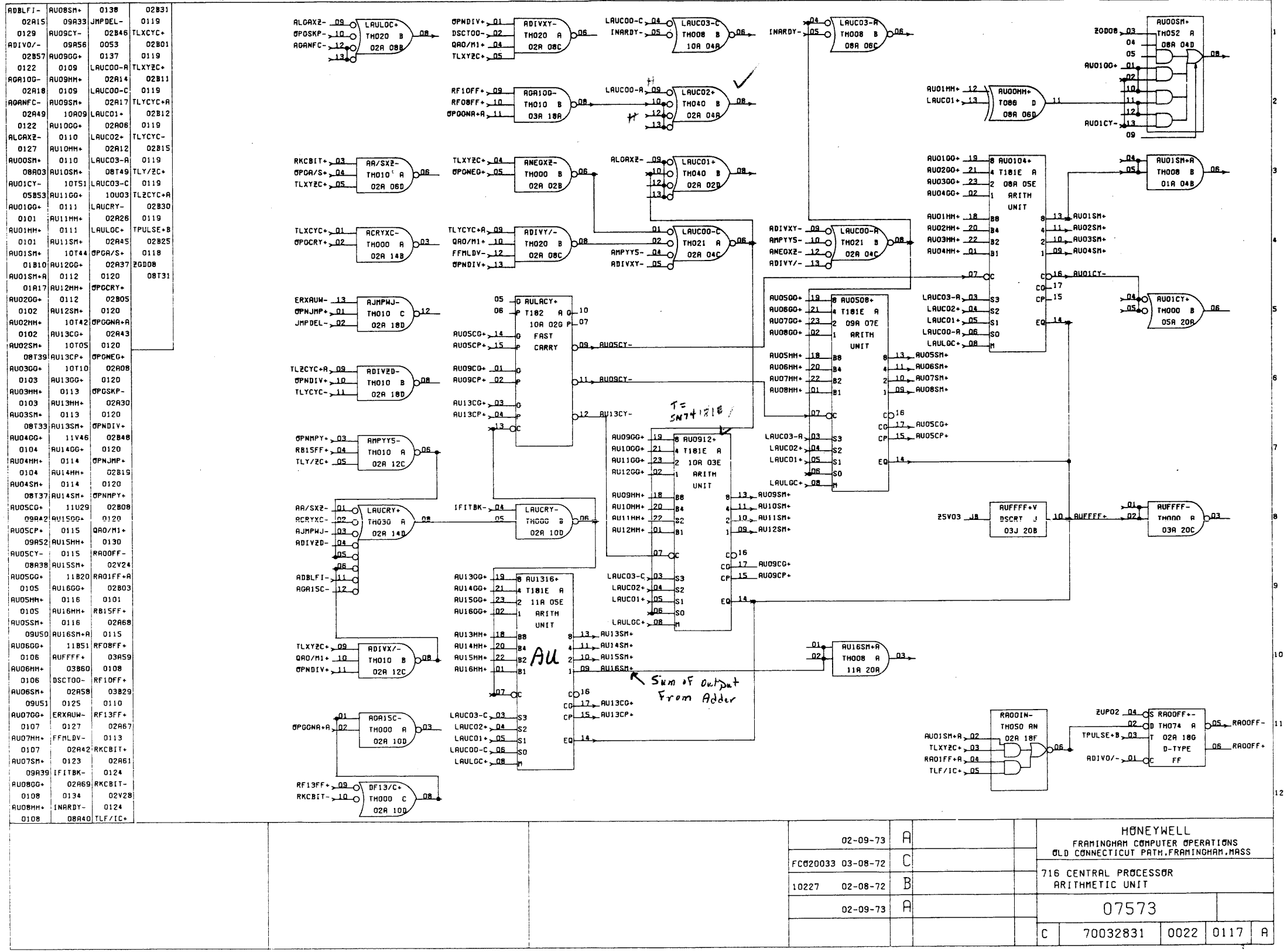
| | | | |
|--|----------|------|--------|
| 02-09-73 | A | | |
| FRM20214 | 05-08-72 | D | |
| FC020033 | 03-08-72 | C | |
| 10227 | 02-08-72 | B | |
| 02-09-73 | A | | |
| HONEYWELL FRAMINGHAM COMPUTER OPERATIONS OLD CONNECTICUT PATH, FRAMINGHAM, MASS. | | | |
| 716 CENTRAL PROCESSOR COLUMN 15 | | | |
| 07573 | | | |
| C | 70032831 | 0020 | 0115 A |

| | | | |
|----------|----------|----------|----------|
| AMPYH+ | 0127 | 0122 | 11B14 |
| 11A30 | ERMAM+A | LRAIN2+A | 0124 |
| 0123 | 11A26 | 11V45 | RM16FF+ |
| AUI4SM+ | 0127 | 0122 | 05A69 |
| 11U29 | ERMBD+C | LRAIN4+A | RX16FF+ |
| 0117 | 0138 | 11V48 | 10T14 |
| AUI5SM+ | ERMAL+ | 0122 | RY16FF+ |
| 11A20 | 11U20 | LRAJNL- | 11B31 |
| 0117 | 0129 | 11B68 | RY16FF- |
| AUI6SM+ | ERMAD+ | 0122 | 11A19 |
| 0117 | 11B32 | LRA TEL+ | SLRA16+ |
| BADR16- | 0150 | 11A40 | 11B58 |
| 05A68 | ERMAM+ | 0122 | 0123 |
| 0051 | 10A34 | LRSBL+ | SLRB16+ |
| BD16GT+ | 0128 | 11A14 | 11A12 |
| 07A60 | ERBBD+ | 0123 | 0123 |
| BDAT16- | 0136 | LRSBR+ | TPULSE+A |
| 07A59 | ERMAM+A | 11A22 | 10B37 |
| 0051 | 11A07 | 0123 | 0118 |
| CMDFW+ | 0129 | LRAIN1+A | TRRFW+P |
| 11V29 | ERXAM+ | 11T41 | 11A39 |
| 0128 | 11B40 | 0128 | 0122 |
| CMDFW+ | 0127 | LRAIN2+ | TRRFW+P |
| 11V28 | ERYAUL+ | 11T46 | 11A13 |
| 0128 | 11U23 | 0128 | 0123 |
| CRMRSW- | 0127 | LRAIN4+ | TRRFW+Q |
| 0128 | ERYMAM+ | 11U51 | 11V41 |
| CRSRM+ | 11A05 | 0128 | 0128 |
| 11V33 | 0129 | LASCNT- | TRRFW+P |
| 0128 | ESRAAU+ | 11B46 | 11U11 |
| EORBFW+ | 11V21 | 0128 | 0136 |
| 11A04 | 0127 | LRYCNT+ | TRRFW+S |
| 0123 | MBIT16+ | 11A27 | 0128 |
| ERAMAM+ | 10A40 | 0129 | TRRFW+Q |
| 11T02 | 0055 | MADD16+ | 0136 |
| 0129 | HCLREG+ | 11B53 | TRRFW+P |
| ERURPW- | 11U18 | MADD16- | 11A28 |
| 11T33 | 0055 | 11B18 | 0129 |
| 0129 | HCRHFW- | MD16BS+ | TRRYFW+P |
| ESAMAM+A | 10A20 | 07B57 | 11A25 |
| 11B13 | 0055 | MD16BS- | 0129 |
| 0129 | HENHAU+ | 11B26 | ZOD11 |
| EBDAU+ | 11B49 | 0051 | 11T47 |
| 11A24 | 0126 | RAOBF+ | ZUP10 |
| 0127 | HENHAU-D | 11V18 | 10V49 |
| EDCHAM+ | 0126 | 0108 | ZUP11 |
| 11A09 | HENTRH-P | RA15FF+ | 11V49 |
| 0129 | 10A69 | 11A62 | |
| EMBDW+ | 0055 | 0115 | |
| 0136 | HMAFCH+ | RA16FF+ | |
| EMFAM+ | 11B24 | 01A27 | |
| 11A67 | 0128 | RA16IN+ | |
| 0129 | HMSTCL- | 11B66 | |
| ENRPFW+ | 11T38 | RB14FF+ | |
| 11A32 | 0055 | 11A59 | |
| 0129 | HOLDRP- | 0114 | |
| EDTBDW+ | 11A16 | RB15FF+ | |
| 0136 | 0055 | 11A66 | |
| ERRAM+A | IADD16+ | 0115 | |
| 11B52 | 11A17 | RB16FF+ | |
| 0127 | 0134 | 11B08 | |
| ERADDW+ | IDCA16+ | RF16FF+ | |
| 0138 | 11A15 | 11B42 | |
| ERBAU+A | 0054 | RF16FF- | |
| 11B50 | INARDY+K | 11B17 | |
| 0127 | 0138 | RM16FF+ | |
| ERIMBL+ | KINB16+ | 10T43 | |
| 11U35 | 07B49 | RK16SC+ | |
| 0136 | 0148 | 11B62 | |
| ERMAUL+ | LRAIN1+A | 0125 | |
| 11U04 | 11V50 | RKXSD+ | |



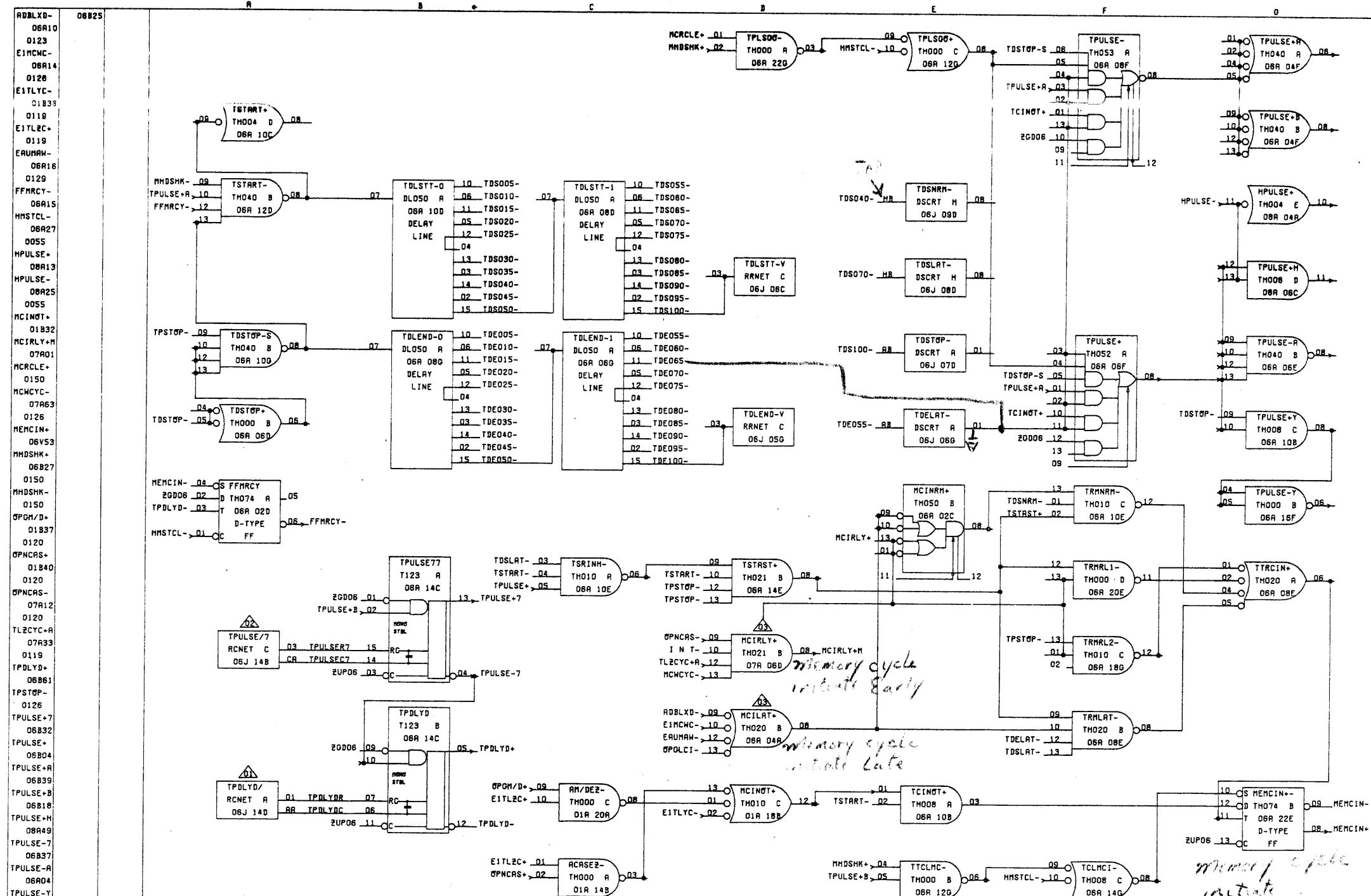
B, T 16

| | | | | | | | | | |
|---|----------|------|------|---|--|--|--|--|--|
| 02-09-73 | A | | | | | | | | |
| FRM20214 | 05-08-72 | D | | | | | | | |
| FC020033 | 03-08-72 | C | | | | | | | |
| 10227 | 02-08-72 | B | | | | | | | |
| 02-09-73 | A | | | | | | | | |
| HONEYWELL FRAMINGHAM COMPUTER OPERATIONS OLD CONNECTICUT PATH, FRAMINGHAM, MASS | | | | | | | | | |
| 716 CENTRAL PROCESSOR COLUMN 16 | | | | | | | | | |
| 07573 | | | | | | | | | |
| C | 70032831 | 0021 | 0116 | A | | | | | |



| | | | |
|----------|----------|----------|----------|
| ABBLFI- | AU08SM+ | 0138 | 02B31 |
| 02A15 | 09A33 | JMPDEL- | 0119 |
| 0129 | AU09CT- | 02B46 | TLXYCY+ |
| ADIV0/- | 09A56 | 0053 | 02B01 |
| 02B57 | AU09GG+ | 0137 | 0119 |
| 0122 | 0109 | LAUC00-A | TLXYZC+ |
| 0A010G- | AU09HM+ | 02A14 | 02B11 |
| 02A18 | 0109 | LAUC00-C | 0119 |
| 0A0AFC- | AU09SM+ | 02A17 | TLXYCY+A |
| 02A49 | 10A09 | LAUC01+ | 02B12 |
| 0122 | AU10GG+ | 02A08 | 0119 |
| ALCAKZ- | 0110 | LAUC02+ | TLXYCY- |
| 0127 | AU10HM+ | 02A12 | 02B15 |
| AU00SM+ | 0110 | LAUC03-A | 0119 |
| 08A03 | AU10SM+ | 08T49 | TPULSE+B |
| AU01CY- | 10T51 | LAUC03-C | 0119 |
| 05B53 | AU11GG+ | 10U03 | TLXYCY+A |
| AU010G- | 0111 | LAUCRY- | 02B30 |
| 0101 | AU11HM+ | 02A26 | 0119 |
| AU01HM+ | 0111 | LAULGC+ | TPULSE+B |
| 0101 | AU11SM+ | 02A45 | 02B25 |
| AU01SM+ | 10T44 | 0PGAS+ | 0118 |
| 01B10 | AU12GG+ | 02A37 | ZGDD08 |
| AU01SM+A | 0112 | 0120 | 08T31 |
| 01A17 | AU12HM+ | 0PGCRY+ | |
| AU020G+ | 0112 | 02B05 | |
| 0102 | AU12SM+ | 0120 | |
| AU02HM+ | 10T42 | 0PGGNA+A | |
| 0102 | AU13CG+ | 02A43 | |
| AU02SM+ | 10T05 | 0120 | |
| 08T39 | AU13CP+ | 0PGNEG+ | |
| AU03GG+ | 10T10 | 02A08 | |
| 0103 | AU13GG+ | 0120 | |
| AU03HM+ | 0113 | 0PGSKP- | |
| 0103 | AU13HM+ | 02A30 | |
| AU03SM+ | 0113 | 0120 | |
| 08T33 | AU13SM+ | 0PNDIV+ | |
| AU04GG+ | 11V46 | 02B48 | |
| 0104 | AU14GG+ | 0120 | |
| AU04HM+ | 0114 | 0PNJMP+ | |
| 0104 | AU14HM+ | 02B19 | |
| AU04SM+ | 0114 | 0120 | |
| 08T37 | AU14SM+ | 0PNMPY+ | |
| AU05CG+ | 11U29 | 02B08 | |
| 09A42 | AU15GG+ | 0120 | |
| AU05CP+ | 0115 | QA0/M1+ | |
| 09A52 | AU15HM+ | 0130 | |
| AU05CY- | 0115 | RA00FF- | |
| 08A38 | AU15SM+ | 02V24 | |
| AU05GG+ | 11B20 | RA01FF+A | |
| 0105 | AU16GG+ | 02B03 | |
| AU05HM+ | 0116 | 0101 | |
| 0105 | AU16HM+ | RB15FF+ | |
| AU05SM+ | 0116 | 02A68 | |
| 09U50 | AU16SM+A | 0115 | |
| AU06GG+ | 11B51 | RF08FF+ | |
| 0106 | AUFFFF+ | 03A59 | |
| AU06HM+ | 03B60 | 0108 | |
| 0106 | DSCT00- | RF10FF+ | |
| AU06SM+ | 02A58 | 03B29 | |
| 09U51 | 0125 | 0110 | |
| AU07GG+ | ERXAM- | RF13FF+ | |
| 0107 | 0127 | 02A67 | |
| AU07HM+ | FFMLDV- | 0113 | |
| 0107 | 02A42 | RKCBIT+ | |
| AU07SM+ | 0123 | 02A61 | |
| 09A39 | IFITBK- | 0124 | |
| AU08GG+ | 02A69 | RKCBIT- | |
| 0108 | 0134 | 02V28 | |
| AU08HM+ | INARDY- | 0124 | |
| 0108 | 08A40 | TLF/IC+ | |

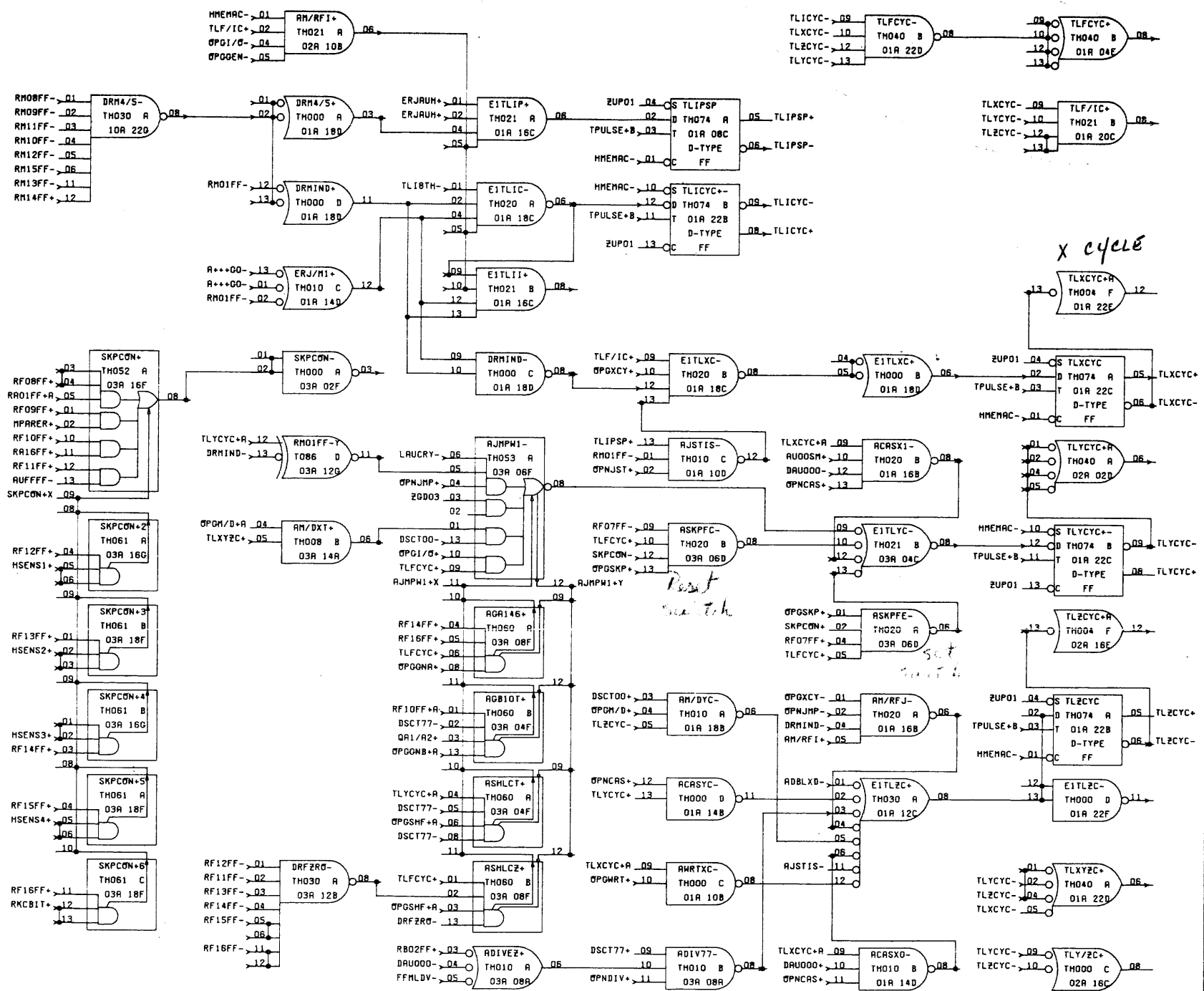
| | | | | | |
|---|----------|------|------|---|--|
| 02-09-73 | A | | | | |
| FC020033 | 03-08-72 | C | | | |
| 10227 | 02-08-72 | B | | | |
| 02-09-73 | A | | | | |
| HONEYWELL FRAMINGHAM COMPUTER OPERATIONS 6LD CONNECTICUT PATH, FRAMINGHAM, MASS | | | | | |
| 716 CENTRAL PROCESSOR ARITHMETIC UNIT | | | | | |
| 07573 | | | | | |
| C | 70032831 | 0022 | 0117 | A | |



⚠ TPDLYD SET FOR 50 - 100 NANSECONDS
 ⚠ TPULSE77 SET FOR 50 - 100 NANSECONDS
 ⚠ FOR CORE MEMORY, GROUND OPOLCI- AND MCIRLY-M AND IGNORE OPOLCI-M AND MCIRLY-M

| | | | | | | | | |
|----------|----------|----------|---|--|----------|------|------|---|
| 02-09-73 | A | 02-09-73 | A | HONEYWELL | | | | |
| FRM20312 | 06-13-72 | E | | FRAMINGHAM COMPUTER OPERATIONS OLD CONNECTICUT PATH, FRAMINGHAM, MASS | | | | |
| FRM20214 | 05-08-72 | D | | 716 CENTRAL PROCESSOR MAIN CLOCK + CYCLE-INITIATE | | | | |
| FC020033 | 03-08-72 | C | | 07573 | | | | |
| 10227 | 02-08-72 | B | | C | 70032831 | 0023 | 0118 | A |

| | | | |
|---------|----------|---------|----------|
| A+++00- | 0117 | 03A59 | 10V44 |
| 01B07 | MPARER+ | 0108 | 0115 |
| 0127 | 03B05 | RF09FF+ | SKPCON- |
| ACASX1- | 0053 | 03A51 | 03V40 |
| 01B15 | OPGON- | 0109 | TLFCYC+ |
| ADBLXD- | 02A11 | RF10FF+ | 01A22 |
| 01A56 | 0120 | 03B29 | TLF/IC+ |
| 0123 | OPGNA+ | 0110 | 01B64 |
| ADIV77- | 03A41 | RF10FF+ | TL18TH- |
| 01B01 | 0120 | 03A10 | 01B65 |
| AM/RF1+ | OPGONB+ | 0110 | 01B2 |
| 01A66 | 03B08 | RF11FF+ | TLICYC+ |
| AUOOSH+ | 0120 | 03B33 | 01B68 |
| 01A64 | OPG1/B+ | 0111 | TLICYC- |
| 0117 | 03A64 | RF11FF- | 01B67 |
| AUFFFF- | 0120 | 03A53 | TLIPSP- |
| 0117 | OPG1/C- | 0111 | 01A16 |
| DRUO00- | 02A63 | RF12FF+ | TLXYC+ |
| 01A65 | 0120 | 03A68 | 01B56 |
| 0130 | OPGM/D+ | 0112 | TLXYZC+ |
| DRUO00- | 01B37 | RF12FF- | 01B49 |
| 01B19 | 0120 | 03A62 | TLXYC+A |
| 0130 | OPGM/D-A | 0112 | 02B12 |
| DRM4/S- | 0120 | RF13FF+ | TLXYC- |
| 01B48 | OPGSHF+A | 03B37 | 01B60 |
| DRMIND- | 03B43 | 0113 | TL2CYC+A |
| 01B45 | 0120 | RF13FF- | 02B30 |
| DSC100+ | OPGSKP+ | 03A66 | TL2CYC- |
| 01B03 | 03A26 | 0113 | 01B63 |
| 0125 | 0120 | RF14FF+ | TPULSE+B |
| DSC100- | OPDWT+ | 03B13 | 01A50 |
| 03A15 | 01A69 | 0114 | 0118 |
| 0125 | 0120 | RF14FF- | |
| DSC177+ | OPGXY+ | 03A34 | |
| 0125 | 01B29 | 0114 | |
| DSC177- | 0120 | RF15FF+ | |
| 03A45 | OPGXY- | 03B38 | |
| 0125 | 0120 | 0115 | |
| E1TLIC- | OPNCAS+ | RF15FF- | |
| 01V52 | 01B40 | 03A63 | |
| E1TLI1+ | 0120 | 0115 | |
| 01B13 | OPNDIV+ | RF16FF+ | |
| E1TLXC+ | 03A39 | 03B12 | |
| 01B59 | 0120 | 0116 | |
| E1TLYC- | OPNJMP+ | RF16FF- | |
| 01B36 | 03A16 | 03A65 | |
| E1L2C- | 0120 | 0116 | |
| 01V54 | OPNJMP- | RKCBIT+ | |
| ERJAUH+ | 01B26 | 03B57 | |
| 01B33 | 0120 | 0124 | |
| 0127 | OPNJST+ | RM01FF- | |
| FFMLDV- | 01A39 | 01A25 | |
| 03A49 | 0120 | 0101 | |
| 0123 | 0A1/A2+ | RM08FF- | |
| HMEMAC- | 0130 | 10B20 | |
| 01B61 | RA01FF+ | 0108 | |
| 0055 | 03B42 | RM09FF- | |
| HSENS1+ | 0101 | 0109 | |
| 03V24 | RA16FF+ | RM10FF- | |
| 0126 | 03B18 | 0110 | |
| HSENS2+ | 0116 | RM11FF- | |
| 03V28 | RBO2FF+ | 0111 | |
| 0126 | 03A55 | RM12FF- | |
| HSENS3+ | 0102 | 0112 | |
| 03V12 | RF07FF+ | RM13FF- | |
| 0126 | 03B19 | 10V42 | |
| HSENS4+ | 0107 | 0113 | |
| 03V44 | RF07FF- | RM14FF+ | |
| 0126 | 03B25 | 10V38 | |
| LAUCRY- | 0107 | 0114 | |
| 03A14 | RF08FF+ | RM15FF- | |



| | | | | |
|----------|----------|---|--|--|
| 02-09-73 | A | | | |
| FRM20214 | 05-08-72 | D | | |
| FC020033 | 03-08-72 | C | | |
| 10227 | 02-08-72 | B | | |
| 02-09-73 | A | | | |

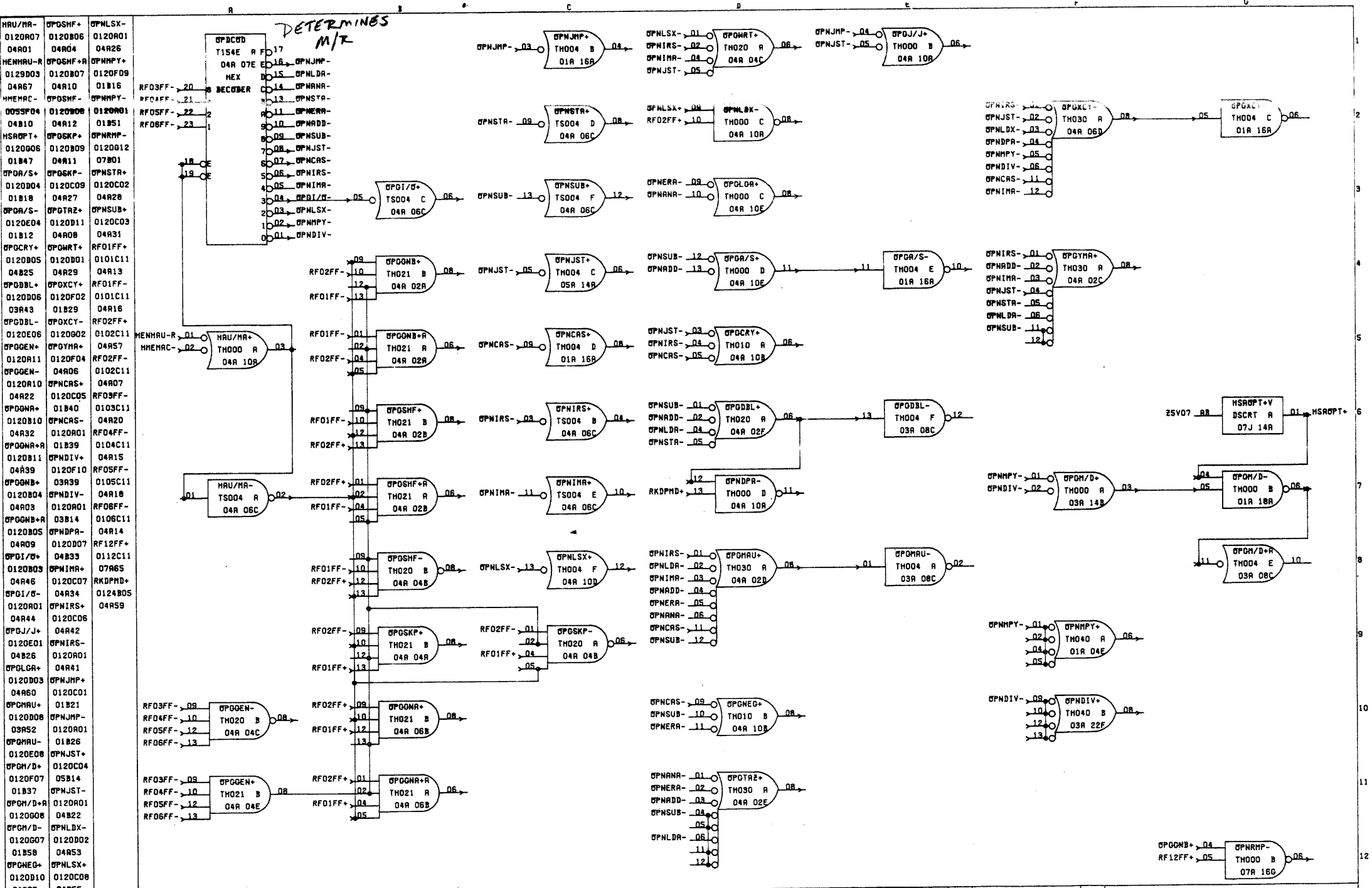
HONEYWELL
FRAMINGHAM COMPUTER OPERATIONS
6LD CONNECTICUT PATH, FRAMINGHAM, MASS

716 CENTRAL PROCESSOR
TIMING LEVELS

07573

| | | | | |
|---|----------|------|------|---|
| C | 70032831 | 0024 | 0119 | A |
|---|----------|------|------|---|

BREAKING
DOWN INTO
F CABLE
DETERMINES
I/O...
WHETHER
GENERAL



| | | |
|-----------|---------|---------|
| HRAU/RA- | OPSHF+ | OPNLSX- |
| 0120A07 | 0120B06 | 0120A01 |
| 04A01 | 04A04 | 04A26 |
| HEMHRAU-R | OPSHF+A | OPNMPY+ |
| 0129D03 | 0120B07 | 0120F09 |
| 04A67 | 04A10 | 01B16 |
| HHEMRC- | OPSHF- | OPNMPY- |
| 0055F04 | 0120B08 | 0120A01 |
| 04B10 | 04A12 | 01B51 |
| HSROPT+ | OPSKP+ | OPNMP+ |
| 0120G06 | 0120B09 | 0120G12 |
| 01B47 | 04A11 | 07B01 |
| OPGA/S+ | OPSKP- | OPNSTR+ |
| 0120D04 | 0120C09 | 0120C02 |
| 01B18 | 04A27 | 04A28 |
| OPGA/S- | OPGTRZ+ | OPNSUB+ |
| 0120E04 | 0120D11 | 0120C03 |
| 01B12 | 04A08 | 04A31 |
| OPGCRY+ | OPGTRZ- | OPNSTR- |
| 0120B05 | 0120D01 | 0101C11 |
| 04B25 | 04A29 | 04A13 |
| OPGDBL+ | OPGCRY+ | RF01FF- |
| 0120D06 | 0120F02 | 0101C11 |
| 03A43 | 01B29 | 04A16 |
| OPGDBL- | OPGCRY- | RF02FF+ |
| 0120E06 | 0120G02 | 0102C11 |
| OPGOEN+ | OPGYRA+ | 04A57 |
| 0120A11 | 0120F04 | RF02FF- |
| OPGOEN- | 04A06 | 0102C11 |
| 0120A10 | OPNCAS+ | 04A07 |
| 04A22 | 0120C05 | RF03FF- |
| OPGNA+ | 01B40 | 0103C11 |
| 0120B10 | OPNCAS- | 04A20 |
| 04A32 | 0120A01 | RF04FF- |
| OPGNA+R | 01B39 | 0104C11 |
| 0120B11 | OPNDIV+ | 04A15 |
| 04A39 | 0120F10 | RF05FF- |
| OPGNB+ | 03A39 | 0105C11 |
| 0120B04 | OPNDIV- | 04A18 |
| 04A03 | 0120A01 | RF06FF- |
| OPGNB+R | 03B14 | 0106C11 |
| 0120B05 | OPNDPA- | 04A14 |
| 04A09 | 0120D07 | RF12FF+ |
| OPG1/5+ | 04B33 | 0112C11 |
| 0120B03 | OPNIRA+ | 07A65 |
| 04A46 | 0120C07 | RKDPND+ |
| OPG1/5- | 04A34 | 0124B05 |
| 0120A01 | OPNIRS+ | 04A55 |
| 04A44 | 0120C06 | |
| OPGJ/J+ | 04A42 | |
| 0120E01 | OPNIRS- | |
| 04B26 | 0120A01 | |
| OPGLGR+ | 04A41 | |
| 0120D03 | OPNIMP+ | |
| 04A60 | 0120C01 | |
| OPGHARU+ | 01B21 | |
| 0120D08 | OPNIMP- | |
| 03A52 | 0120A01 | |
| OPGHARU- | 01B26 | |
| 0120E08 | OPNJST+ | |
| OPGH/D+ | 0120C04 | |
| 0120F07 | 05B14 | |
| 01B37 | OPNJST- | |
| OPGH/D+R | 0120A01 | |
| 0120G08 | 04B22 | |
| OPGH/D- | OPNLDX- | |
| 0120G07 | 0120D02 | |
| 01B58 | 04A53 | |
| OPONEG+ | OPNLSX+ | |
| 0120D10 | 0120C08 | |
| 04A65 | 04A55 | |

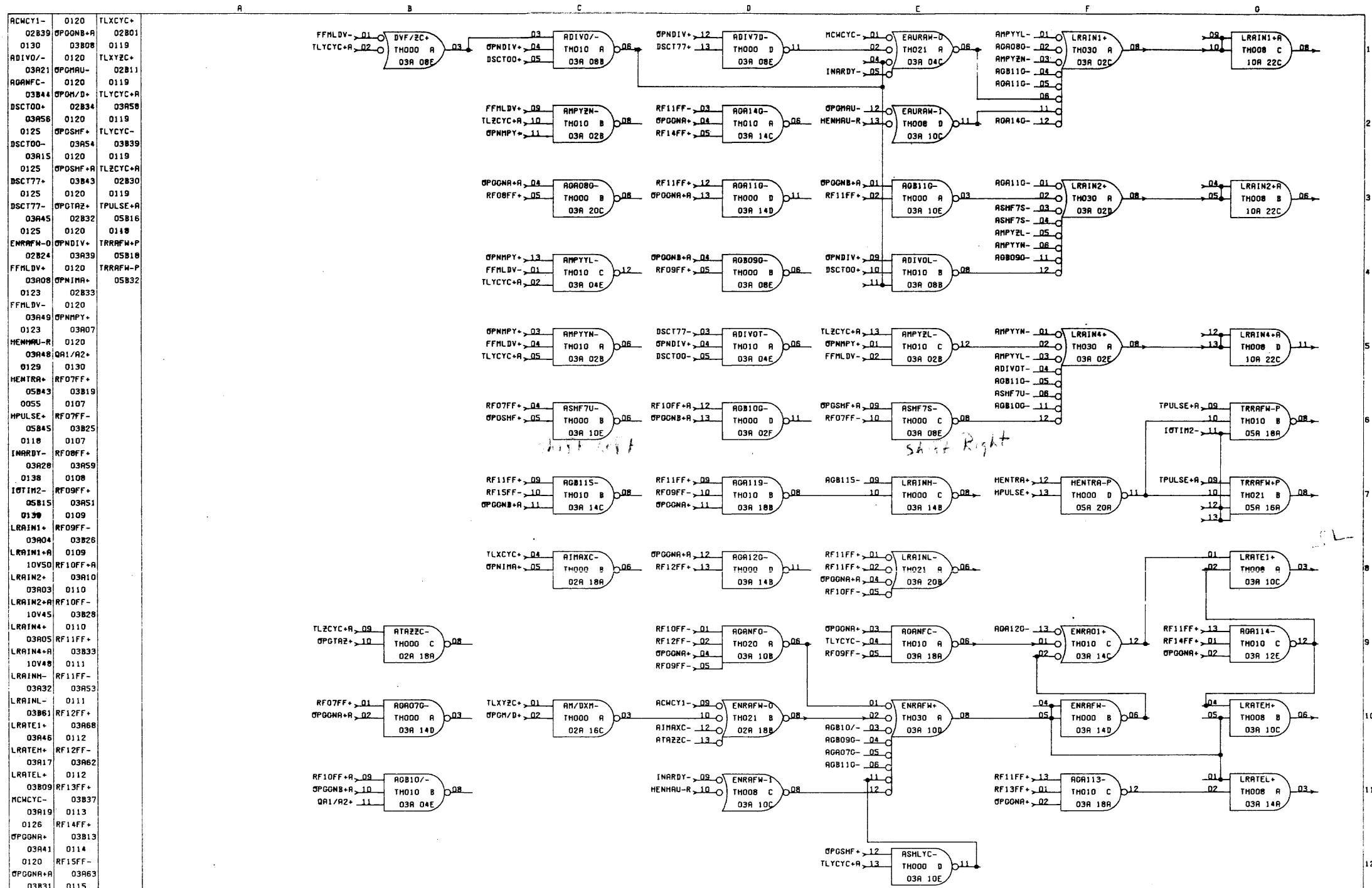
| | | | | |
|----------|----------|---|----------|---|
| BLC41212 | 05-20-75 | E | 02-09-73 | A |
| BLC40977 | 10-18-74 | D | | |
| BLC31914 | 02-07-74 | C | | |
| 10227 | 02-08-72 | B | | |

HONEYWELL
FRAMINGHAM COMPUTER OPERATIONS
OLD CONNECTICUT PATH, FRAMINGHAM, MASS

716 CENTRAL PROCESSOR
OPERATION DECODER

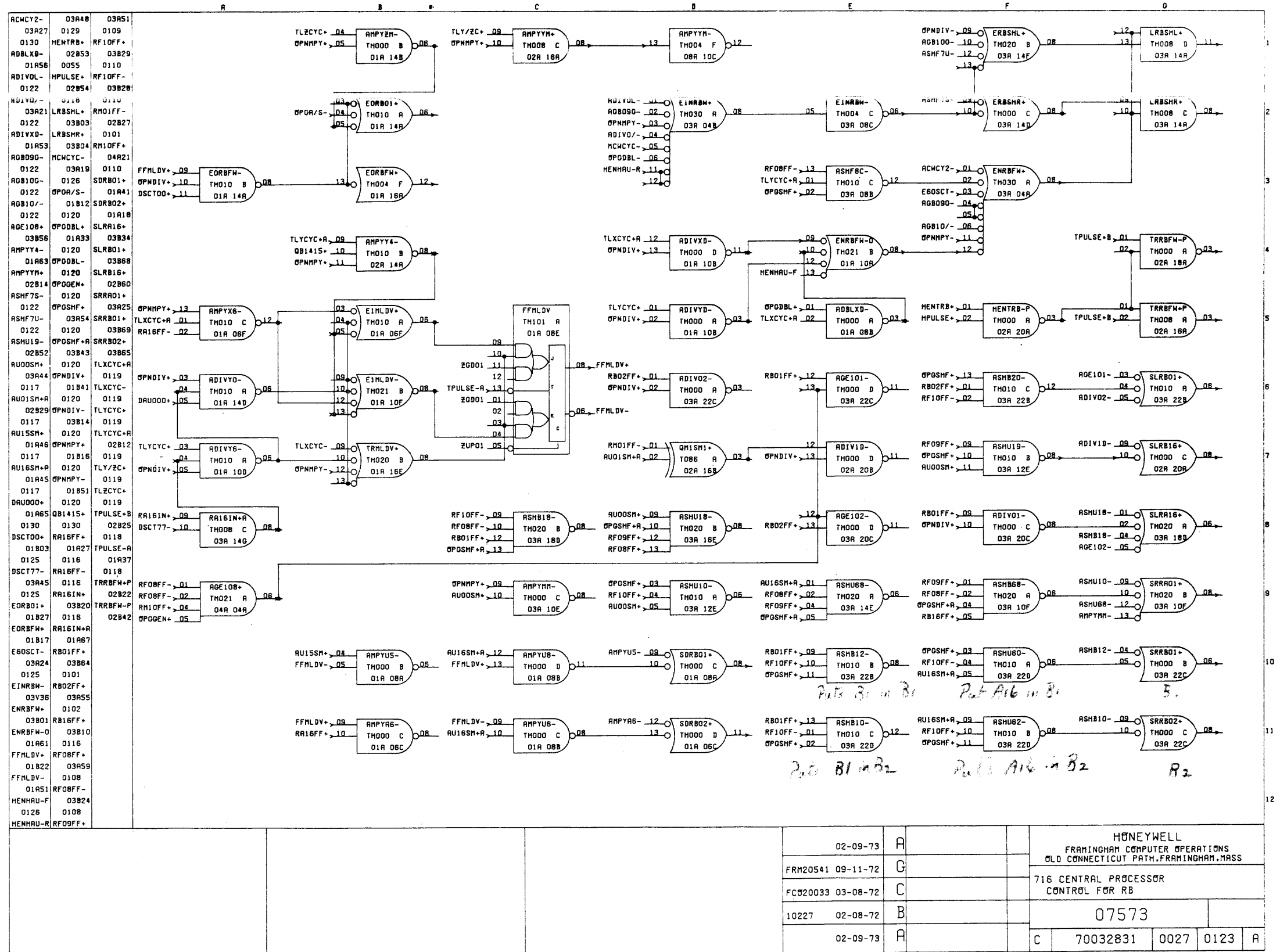
07573

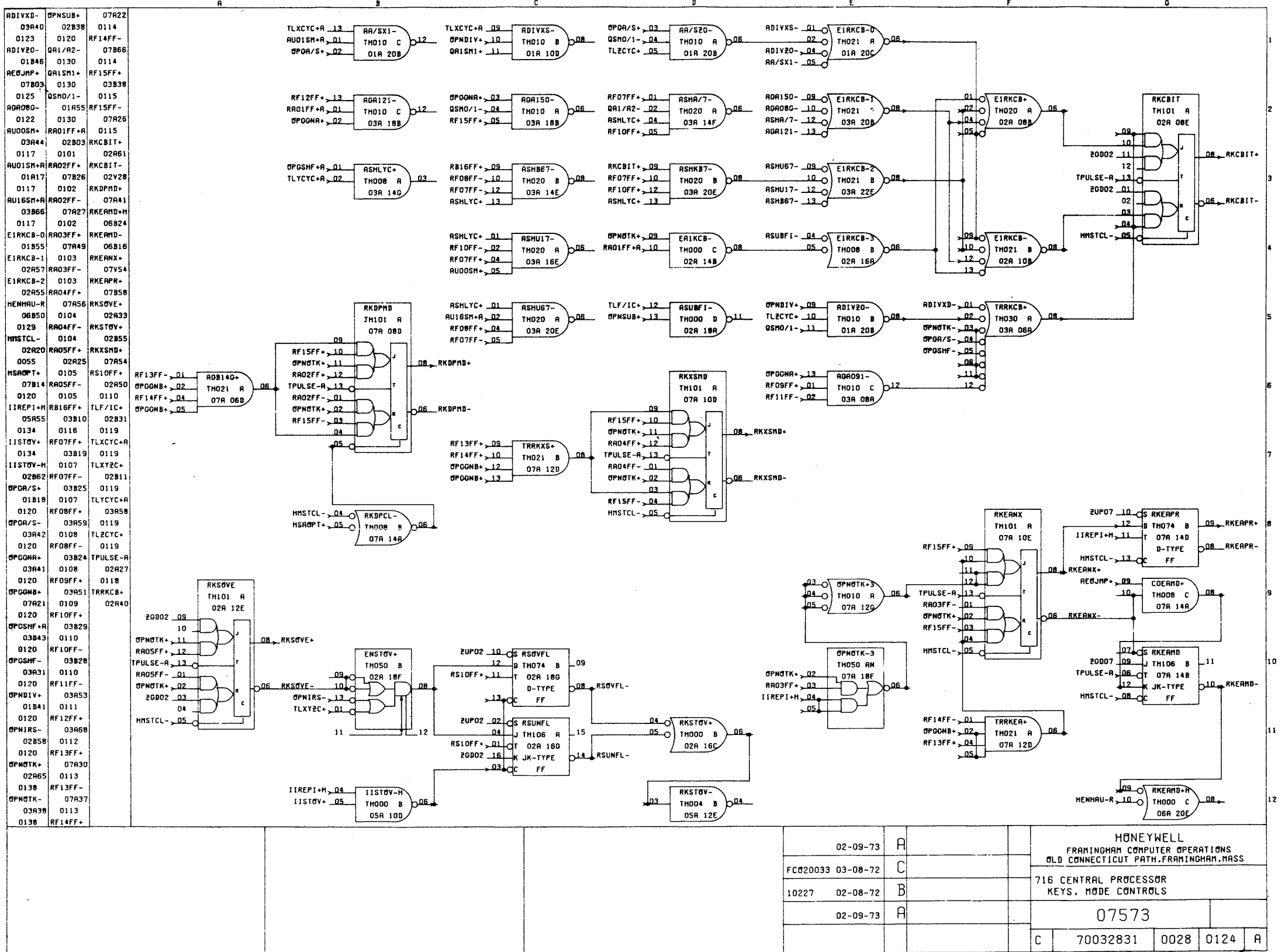
| | | | | |
|---|----------|------|------|---|
| C | 70032831 | 0025 | 0120 | E |
|---|----------|------|------|---|



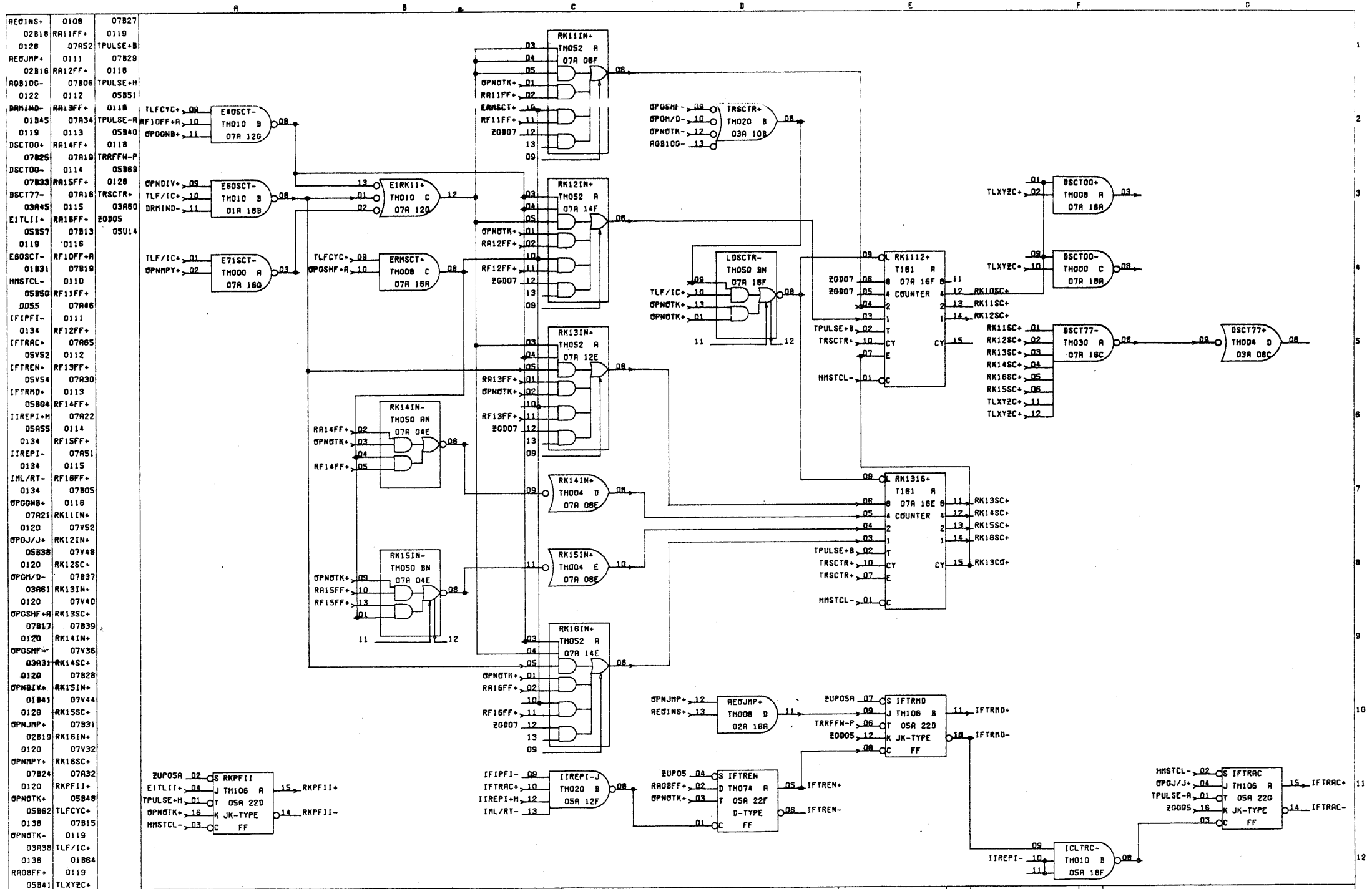
| | | |
|----------|---------|---------|
| ACWCY1- | 0120 | TLXCYC+ |
| 02839 | 02808 | 02801 |
| 0130 | 03808 | 0119 |
| ADIV0/- | 0120 | TLXCYC+ |
| 03A21 | 02811 | 02811 |
| ADAMFC- | 0120 | 0119 |
| 03844 | TLXCYC+ | TLXCYC+ |
| DSC700- | 02834 | 03858 |
| 03A56 | 0120 | 0119 |
| 0125 | TLXCYC+ | TLXCYC+ |
| DSC700- | 03A54 | 03839 |
| 03A15 | 0120 | 0119 |
| 0125 | TLXCYC+ | TLXCYC+ |
| DSC777+ | 03843 | 02830 |
| 0125 | 0120 | 0119 |
| DSC777- | TPULSE+ | TPULSE+ |
| 03A45 | 02832 | 05816 |
| 0125 | 0120 | 0119 |
| ENRAF0- | TRRAF+ | TRRAF+ |
| 02824 | 03A39 | 05818 |
| FFMLDV+ | 0120 | TRRAF+ |
| 03A08 | 05832 | 05832 |
| 0123 | 02833 | |
| FFMLDV- | 0120 | |
| 03A49 | 03A07 | |
| 0123 | 03A07 | |
| HENRAU-R | 0120 | |
| 03A48 | 0129 | |
| 0129 | 0130 | |
| HENTRA+ | 05843 | |
| 05843 | 03819 | |
| 0055 | 0107 | |
| HPULSE+ | 05845 | |
| 05845 | 03825 | |
| 0118 | 0107 | |
| INARDY- | 03A28 | |
| 03A28 | 03A59 | |
| 0138 | 0108 | |
| 10TIM2- | 05815 | |
| 05815 | 03A51 | |
| 0130 | 0109 | |
| LRAIN1+ | 03A04 | |
| 03A04 | 03826 | |
| LRAIN1+A | 0109 | |
| 10V50 | 03A10 | |
| LRAIN2+ | 03A10 | |
| 03A03 | 0110 | |
| LRAIN2+A | 03A32 | |
| 10V45 | 03828 | |
| LRAIN4+ | 03A05 | |
| 03A05 | 03833 | |
| LRAIN4+A | 10V48 | |
| 10V48 | 0111 | |
| LRAINH- | 03A32 | |
| 03A32 | 03A53 | |
| LRAINL- | 0111 | |
| 03861 | 03A68 | |
| LRATE1+ | 03A46 | |
| 03A46 | 0112 | |
| LRAHE+ | 03A17 | |
| 03A17 | 03A62 | |
| LRAHE+ | 03B09 | |
| 03B09 | 0113 | |
| MCWCYC- | 0126 | |
| 03A19 | 03B13 | |
| 0126 | 0114 | |
| 03A41 | 0120 | |
| 03863 | 03831 | |
| 03831 | 0115 | |

| | | | | | | | | | |
|----------|----------|---|--|--|---|----------|------|------|---|
| 02-09-73 | A | | | | HONEYWELL FRAMINGHAM COMPUTER OPERATIONS OLD CONNECTICUT PATH, FRAMINGHAM, MASS | | | | |
| FC020033 | 03-08-72 | C | | | 716 CENTRAL PROCESSOR CONTROL FOR RA | | | | |
| 10227 | 02-08-72 | B | | | 07573 | | | | |
| 02-09-73 | A | | | | C | 70032831 | 0026 | 0122 | A |

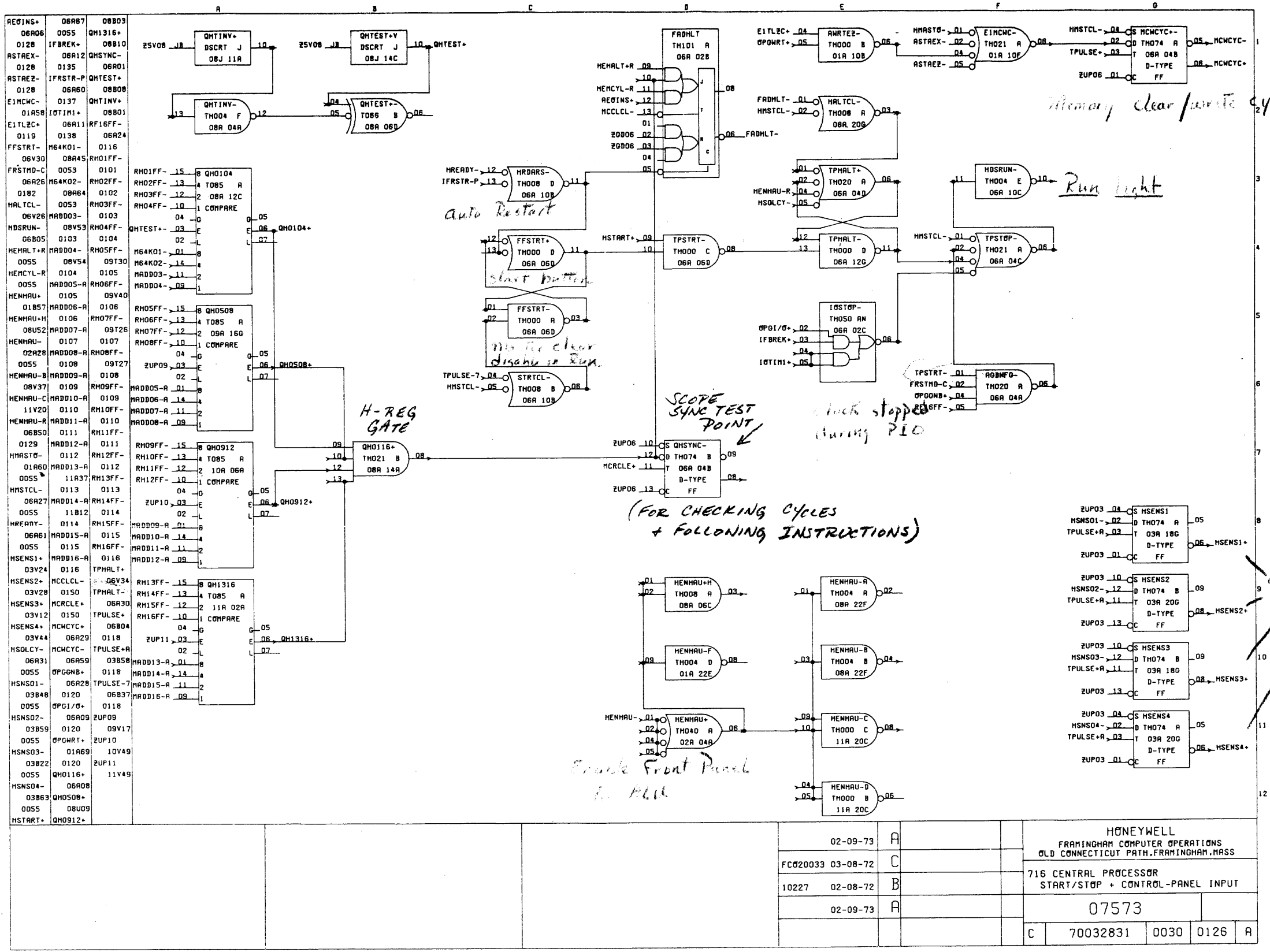


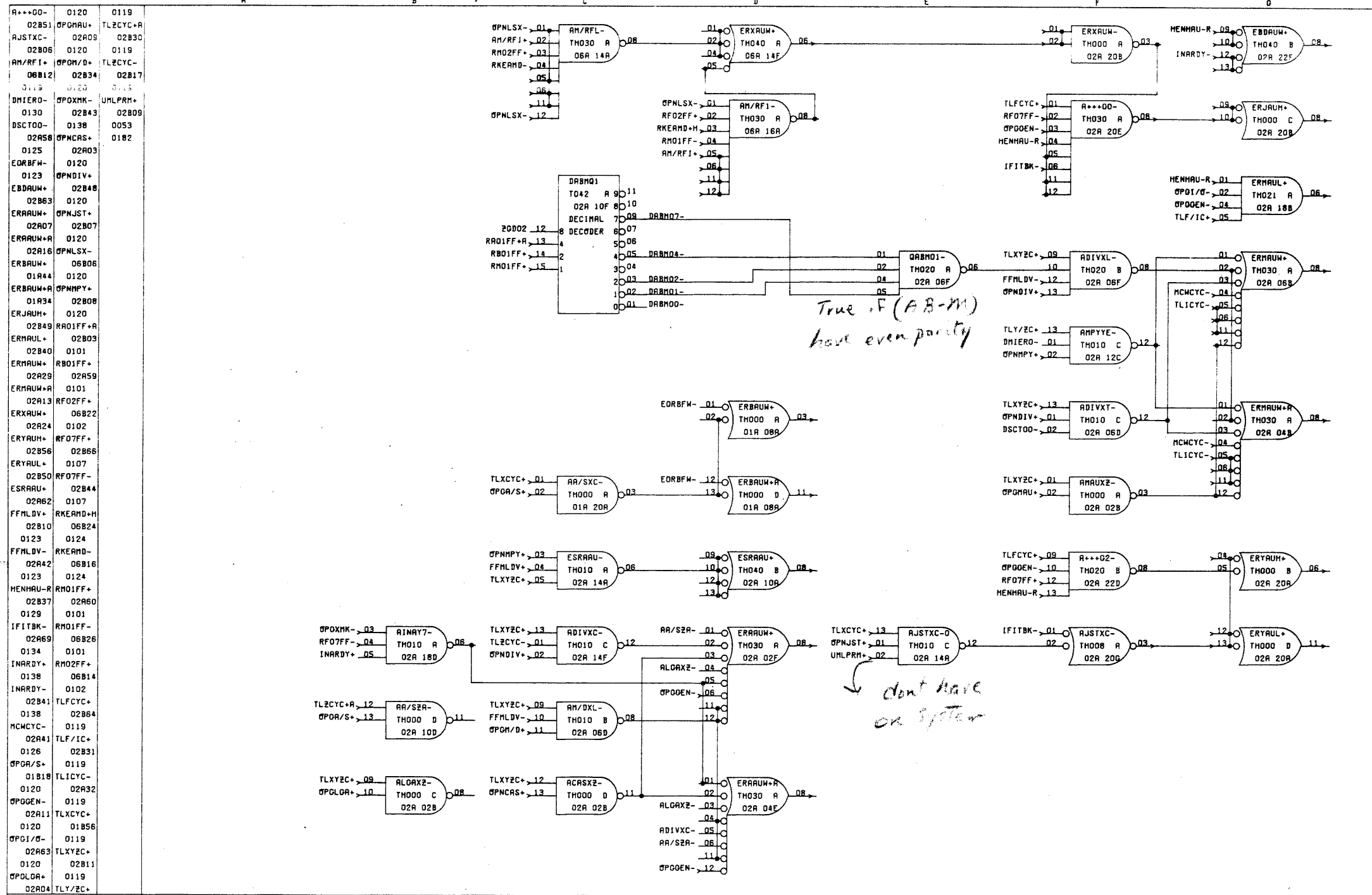


| | | | | | | |
|----------|----------|---|--|--|----------|-------------|
| 02-09-73 | A | | | HONEYWELL FRAMINGHAM COMPUTER OPERATIONS OLD CONNECTICUT PATH, FRAMINGHAM, MASS. | | |
| FC020033 | 03-08-72 | C | | 716 CENTRAL PROCESSOR KEYS, MODE CONTROLS | | |
| 10227 | 02-08-72 | B | | 07573 | | |
| 02-09-73 | A | | | C | 70032831 | 0028 0124 A |



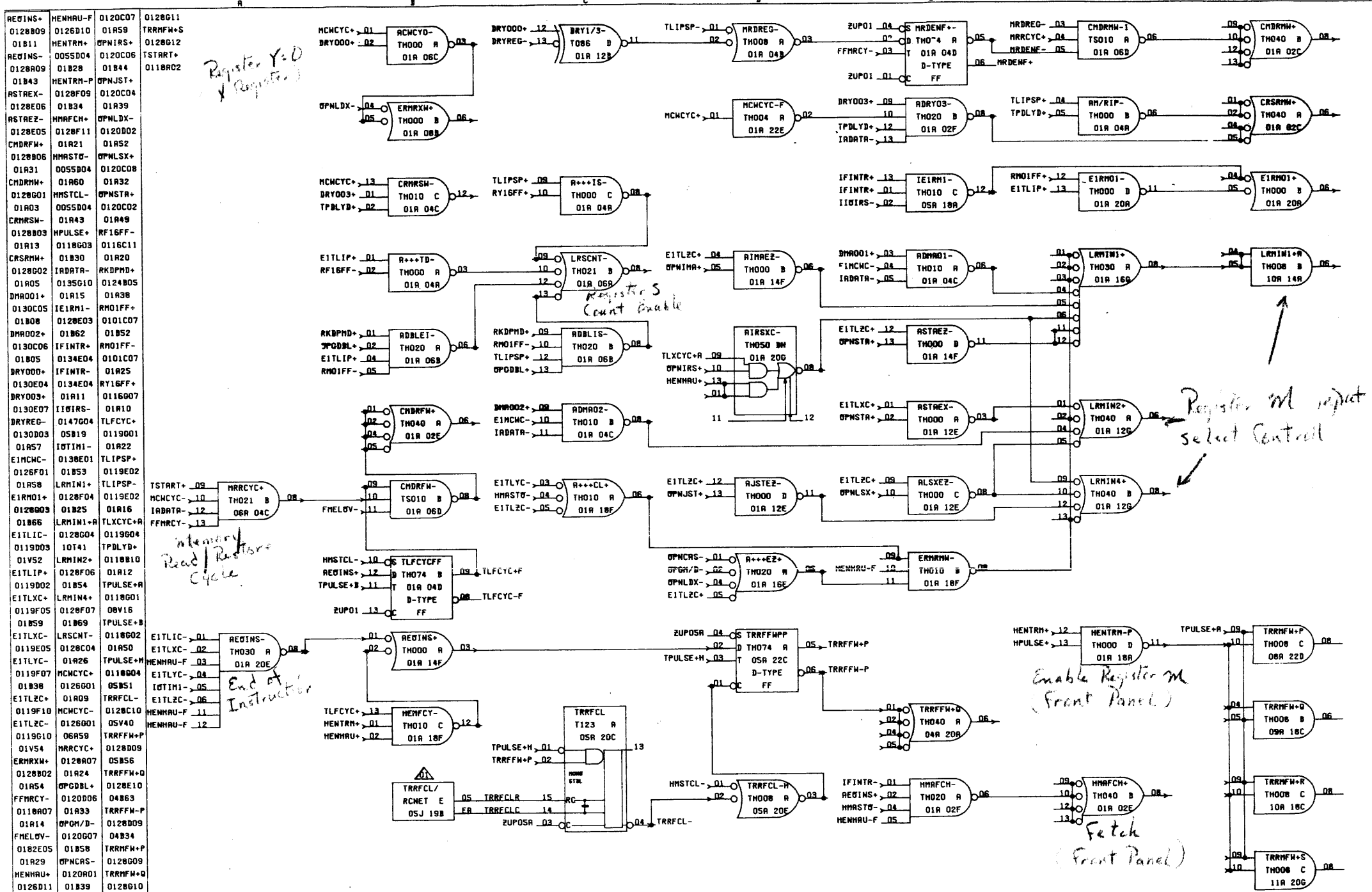
| | | | | | | | | |
|---|----------|-------------------|------|---|---|--|--|--|
| | | 02-09-73 | | A | HONEYWELL FRAMINGHAM COMPUTER OPERATIONS OLD CONNECTICUT PATH, FRAMINGHAM, MASS | | | |
| | | FC020033 03-08-72 | | C | 716 CENTRAL PROCESSOR KEYS, SHIFT COUNTER | | | |
| | | 10227 02-08-72 | | B | 07573 | | | |
| | | 02-09-73 | | A | | | | |
| C | 70032831 | 0029 | 0125 | A | | | | |



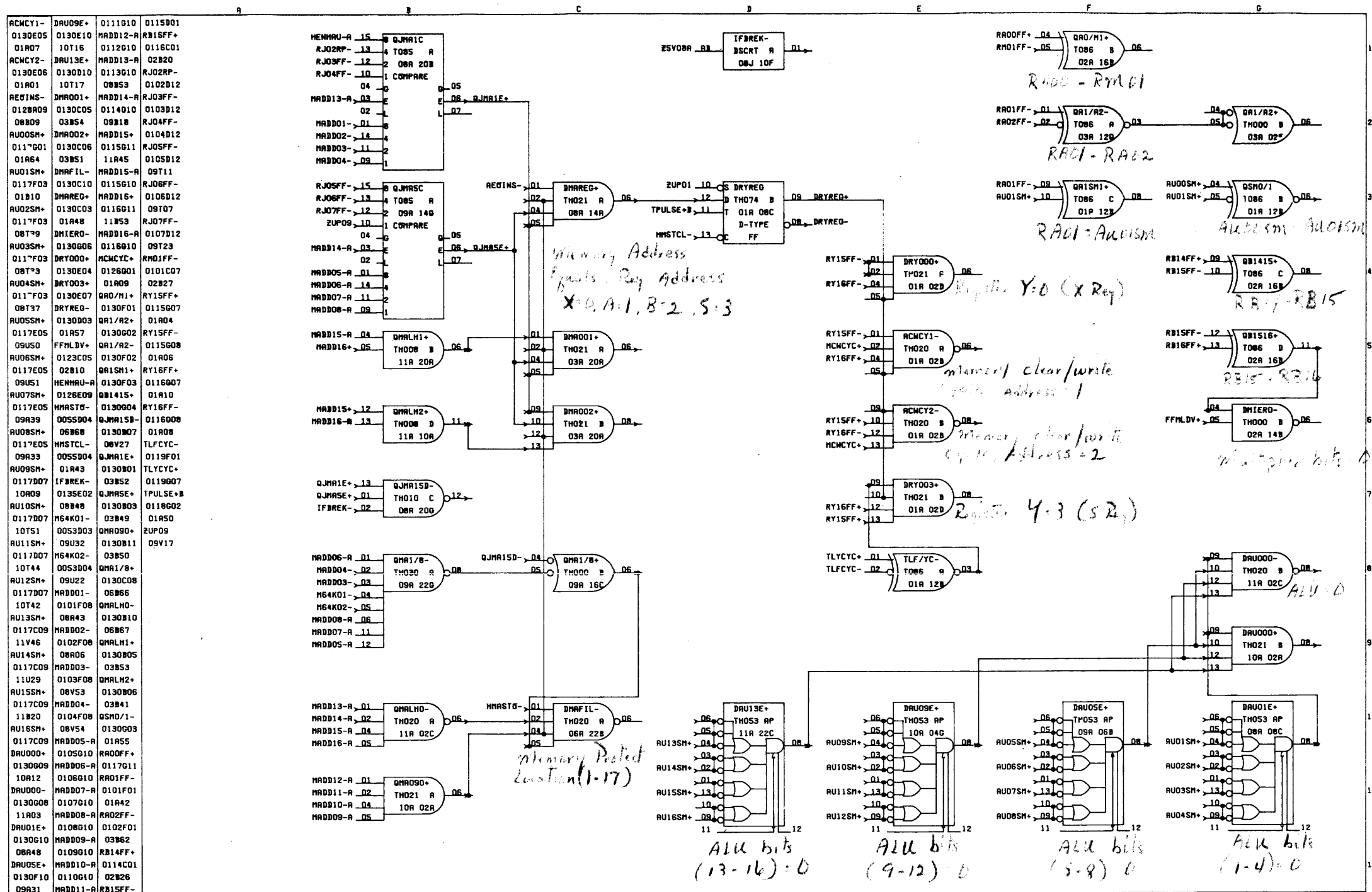


| | | |
|----------|----------|----------|
| A+++00- | 0120 | 0119 |
| 02851 | 0PGAU+ | TLZCYC+A |
| AJSTXC- | 02A09 | 02830 |
| 02806 | 0120 | 0119 |
| AM/RFI+ | 0PGM/D+ | TLZCYC- |
| 06B12 | 02B34 | 02B17 |
| 0119 | 0120 | 0119 |
| DAIERO- | 0POXHK- | UMLPRM+ |
| 0130 | 02B43 | 02809 |
| DSCT00- | 0138 | 0053 |
| 02A58 | 0PNCAS+ | 0182 |
| 0125 | 02A03 | |
| EORBFW- | 0120 | |
| 0123 | 0PNDIV+ | |
| EBDAUW+ | 02B48 | |
| 02B63 | 0120 | |
| ERAAUW+ | 0PNJST+ | |
| 02A07 | 02B07 | |
| ERAAUW+A | 0120 | |
| 02A16 | 0PNLSX- | |
| ERBAUW+ | 06B06 | |
| 01A44 | 0120 | |
| ERBAUW+A | 0PNMPY+ | |
| 01A34 | 02B08 | |
| ERJAUW+ | 0120 | |
| 02B49 | RA01FF+A | |
| ERMAUL+ | 02B03 | |
| 02B40 | 0101 | |
| ERMAUW+ | RB01FF+ | |
| 02A29 | 02A59 | |
| ERMAUW+A | 0101 | |
| 02A13 | RF02FF+ | |
| ERXAUW+ | 06B22 | |
| 02A24 | 0102 | |
| ERYAUW+ | RF07FF+ | |
| 02B56 | 02B66 | |
| ERYAUL+ | 0107 | |
| 02B50 | RF07FF- | |
| ESRAAU+ | 02B44 | |
| 02A62 | 0107 | |
| FFMLDV+ | RKERMD+H | |
| 02B10 | 06B24 | |
| 0123 | 0124 | |
| FFMLDV- | RKERMD- | |
| 02A42 | 06B16 | |
| 0123 | 0124 | |
| HENHAU-R | RM01FF+ | |
| 02B37 | 02A60 | |
| 0129 | 0101 | |
| IFITBK- | RM01FF- | |
| 02A69 | 06B26 | |
| 0134 | 0101 | |
| INARDY+ | RM02FF+ | |
| 0138 | 06B14 | |
| INARDY- | 0102 | |
| 02B41 | TLFCYC+ | |
| 0138 | 02B64 | |
| MCWCYC- | 0119 | |
| 02A41 | TLF/IC+ | |
| 0126 | 02B31 | |
| 0PGR/S+ | 0119 | |
| 01B18 | TLICYC- | |
| 0120 | 02A32 | |
| 0PGDEN- | 0119 | |
| 02A11 | TLXCYC+ | |
| 0120 | 01B56 | |
| 0PGI/G- | 0119 | |
| 02A63 | TLXYZC+ | |
| 0120 | 02B11 | |
| 0PGLOR+ | 0119 | |
| 02A04 | TLY/EC+ | |

| | |
|--|----------------------|
| HONEYWELL | |
| FRAMINGHAM COMPUTER OPERATIONS | |
| OLD CONNECTICUT PATH, FRAMINGHAM, MASS | |
| 716 CENTRAL PROCESSOR | |
| CONTROL FOR AU INPUT SELECTORS | |
| 07573 | |
| C | 70032831 0031 0127 A |

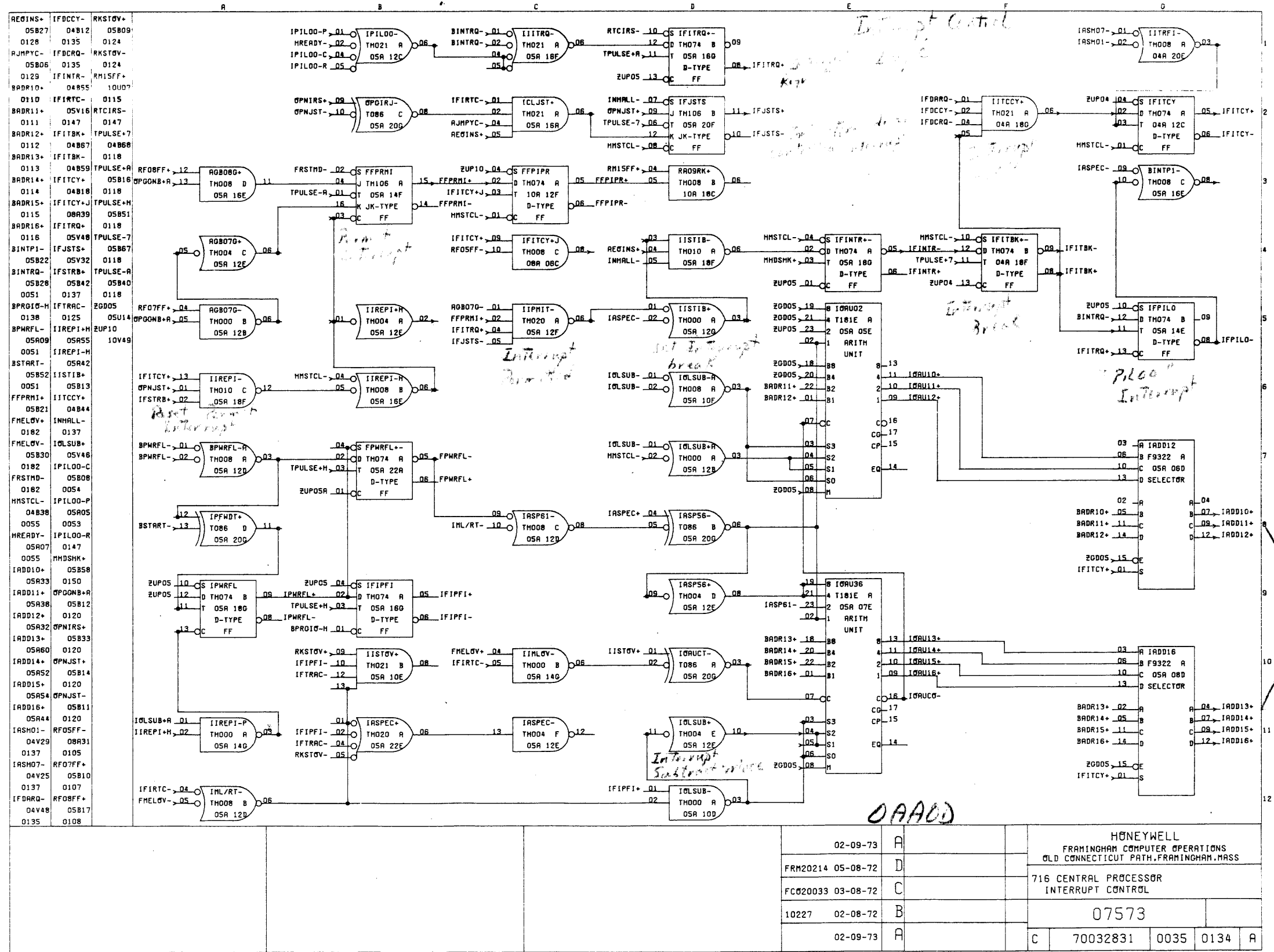


| | | | | | | | | | | | |
|------------------------------------|--|-------------------|--|---|-------------------|--|---|---|------|------|---|
| TRFCL SET FOR 50 - 100 NANOSECONDS | | BLC41212 05-20-75 | | E | BLC31914 02-07-74 | | C | HONEYWELL FRAMINGHAM COMPUTER OPERATIONS OLD CONNECTICUT PATH, FRAMINGHAM, MASS | | | |
| | | BLC40977 10-18-74 | | D | 10227 02-08-72 | | B | 716 CENTRAL PROCESSOR CONTROL FOR RM, RF, RS | | | |
| | | | | | 02-09-73 | | A | 07573 | | | |
| | | | | | | | C | 70032831 | 0032 | 0128 | E |

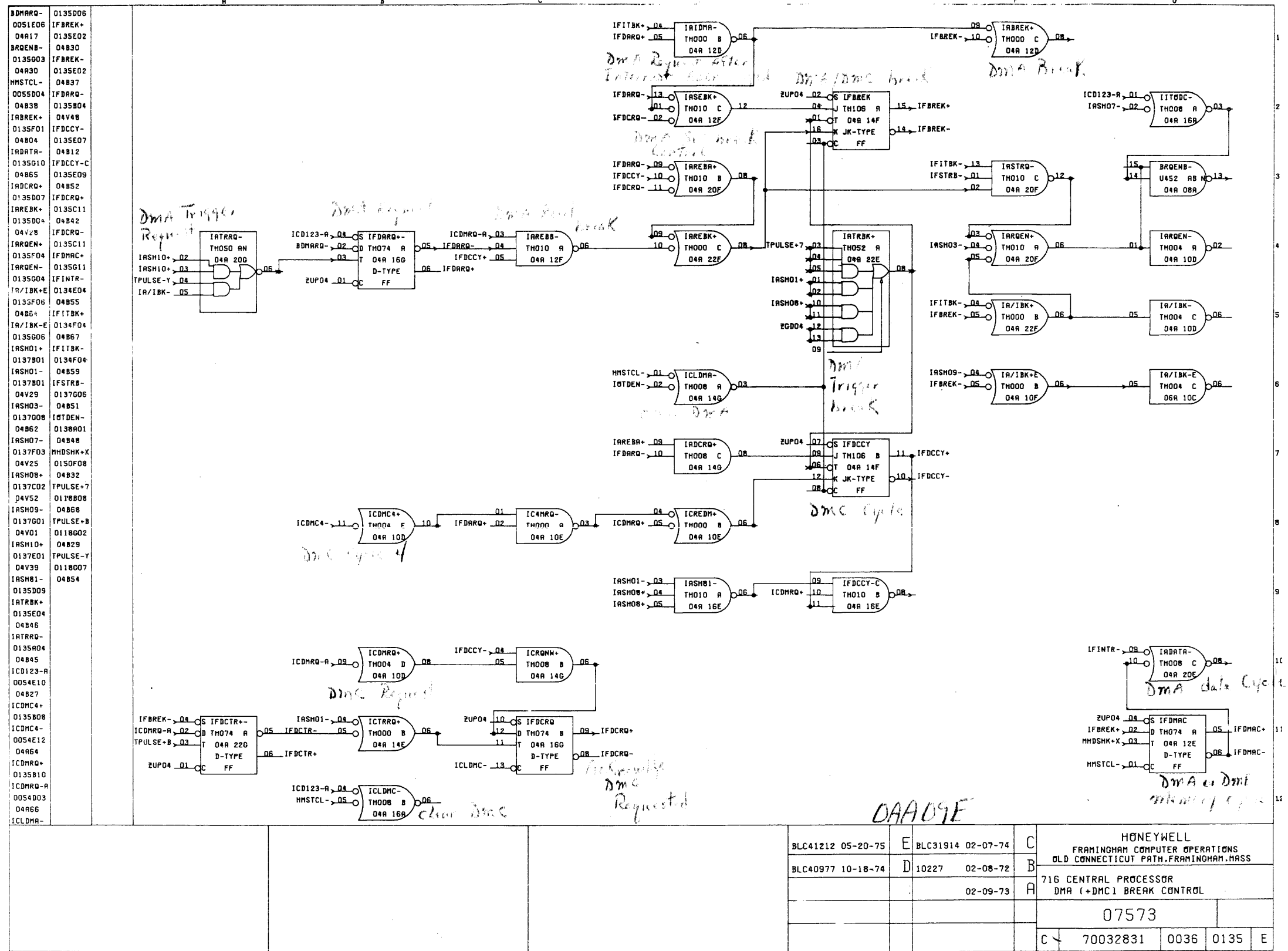


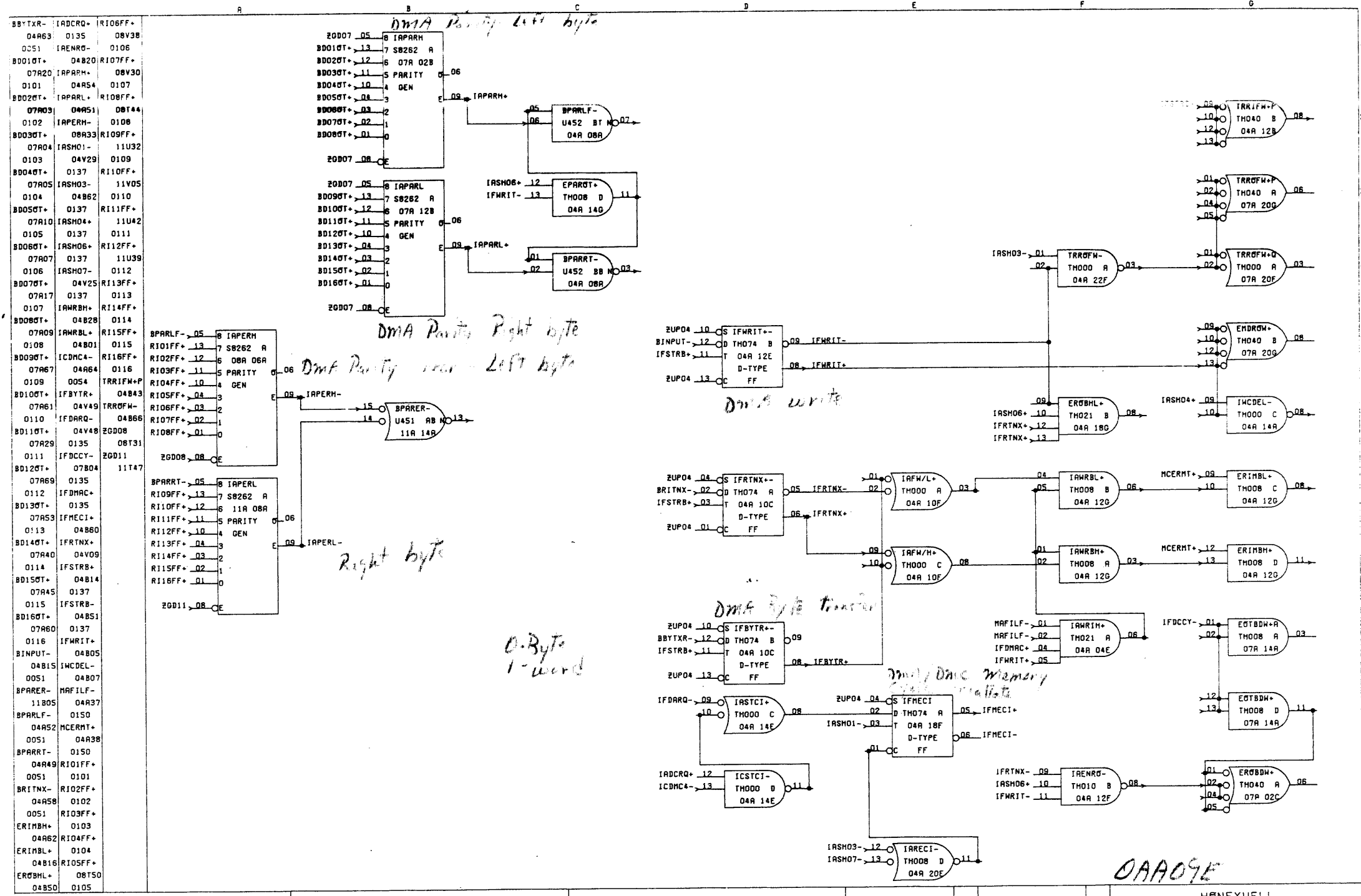
| | | | |
|---------|-----------|----------|----------|
| ACWCY1- | DAU09E+ | 0111010 | 0115D01 |
| 0130E05 | 0130E10 | MADD12-R | RB15FF+ |
| 01A07 | 10T16 | 0112010 | 0116C01 |
| ACWCY2- | DAU13E+ | MADD13-R | 02B20 |
| 0130E06 | 0130D10 | 0113010 | RJ02RP- |
| 01A01 | 10T17 | 00B53 | 0102D12 |
| REGINS- | DMR001+ | MADD14-R | RJ03FF- |
| 0128A09 | 0130C05 | 0114010 | 0103D12 |
| 08B09 | 03B54 | 09B18 | RJ04FF- |
| AU00SM+ | DMR002+ | MADD15+ | 0104D12 |
| 0117G01 | 0130C06 | 0115011 | RJ05FF- |
| 01A64 | 03B51 | 11A45 | 0105D12 |
| AU01SM+ | DMR1IL- | MADD15-R | 09T11 |
| 0117F03 | 0130C10 | 0115G10 | RJ06FF- |
| 01B10 | DMR003+ | MADD16+ | 0106D12 |
| AU02SM+ | 0130C03 | 0116G11 | 09T07 |
| 0117F03 | 01A48 | 11B53 | RJ07FF- |
| 08T9 | DMIERO- | MADD16-R | 0107D12 |
| AU03SM+ | 0130G06 | 0116H10 | 09T23 |
| 0117F03 | DRY000+ | HCWCYC+ | RND1FF- |
| 08T9 | 0130E04 | 0126G01 | 0101C07 |
| AU04SM+ | DRY003+ | 01A09 | 02B27 |
| 0117F03 | 0130E07 | QAO/H1+ | RY15FF+ |
| 08T37 | DRYRE0- | 0130F01 | 0115G07 |
| AU05SM+ | 0130D03 | QAI/R2+ | 01A04 |
| 0117E05 | 01A57 | 0130G02 | RY15FF- |
| 09U50 | FFMLDV+ | QAI/R2- | 0115G08 |
| AU06SM+ | 0123C05 | 0130F02 | 01A06 |
| 0117E05 | 02B10 | QAI/SH1+ | RY16FF+ |
| 09U51 | HENHRAU-R | 0130F03 | 0116G07 |
| AU07SM+ | 0126E09 | QB1415+ | 01A10 |
| 0117E05 | HMASTG- | 0130G04 | RY16FF- |
| 09A39 | 0055D04 | QJMA15B- | 0116G08 |
| AU08SM+ | 06B68 | 0130B07 | 01A08 |
| 0117E05 | HMASTCL- | 00Y27 | TLFCYC+ |
| 09A33 | 0055D04 | QJMA1E+ | 0119F01 |
| AU09SM+ | 01A43 | 0130B01 | TLFCYC+ |
| 0117D07 | IFBREK- | 03B52 | 0119G07 |
| 10A09 | 0135E02 | QJMA5E+ | TPULSE+B |
| AU10SM+ | 08B48 | 0130B03 | 0118G02 |
| 0117D07 | H64K01- | 03B49 | 01A50 |
| 10T51 | 0053D03 | QMR090+ | ZUP09 |
| AU11SM+ | 09U32 | 0130B11 | 09V17 |
| 0117D07 | H64K02- | 03B50 | |
| 10T44 | 0053D04 | QMR178+ | |
| AU12SM+ | 09U22 | 0130C08 | |
| 0117D07 | MADD01- | 06B66 | |
| 10T42 | 0101F08 | QMALH0- | |
| AU13SM+ | 08A43 | 0130B10 | |
| 0117C09 | MADD02- | 06B67 | |
| 11V46 | 0102F08 | QMALH1+ | |
| AU14SM+ | 08A06 | 0130B05 | |
| 0117C09 | MADD03- | 03B53 | |
| 11U29 | 0103F08 | QMALH2+ | |
| AU15SM+ | 08V53 | 0130B06 | |
| 0117C09 | MADD04- | 03B41 | |
| 11B20 | 0104F08 | QSMO/1- | |
| AU16SM+ | 08V54 | 0130G03 | |
| 0117C09 | MADD05-R | 01A55 | |
| DRU000- | 0105G10 | RA00FF+ | |
| 0130G09 | MADD06-R | 0117G11 | |
| 10A12 | 0106G10 | RA01FF- | |
| DRU000- | MADD07-R | 0101F01 | |
| 0130G08 | 0107G10 | 01A42 | |
| 11A03 | MADD08-R | RA02FF- | |
| DRU01E+ | 0108G10 | 0102F01 | |
| 0130G10 | MADD09-R | 03B62 | |
| 08A48 | 0109G10 | RB14FF+ | |
| DRU05E+ | MADD10-R | 0114C01 | |
| 0130F10 | 0110G10 | 02B26 | |
| 09A31 | MADD11-R | RB15FF- | |

| | | | | | |
|---|----------|------|----------|----------|---|
| BLC41212 | 05-20-75 | E | BLC31914 | 02-07-74 | C |
| BLC40977 | 10-18-74 | D | 10227 | 02-08-72 | B |
| | | | | 02-09-73 | A |
| HONEYWELL FRAMINGHAM COMPUTER OPERATIONS OLD CONNECTICUT PATH, FRAMINGHAM, MASS | | | | | |
| 716 CENTRAL PROCESSOR REGISTER ADDR. + MISC. DECODERS | | | | | |
| 07573 | | | | | |
| C | 70032831 | 0034 | 0130 | E | |



| | | | | | | | |
|----------|----------|---|--|---|----------|------|--------|
| 02-09-73 | A | | | HONEYWELL FRAMINGHAM COMPUTER OPERATIONS OLD CONNECTICUT PATH, FRAMINGHAM, MASS | | | |
| FRM20214 | 05-08-72 | D | | 716 CENTRAL PROCESSOR INTERRUPT CONTROL | | | |
| FC020033 | 03-08-72 | C | | 07573 | | | |
| 10227 | 02-08-72 | B | | | | | |
| 02-09-73 | A | | | C | 70032831 | 0035 | 0134 A |

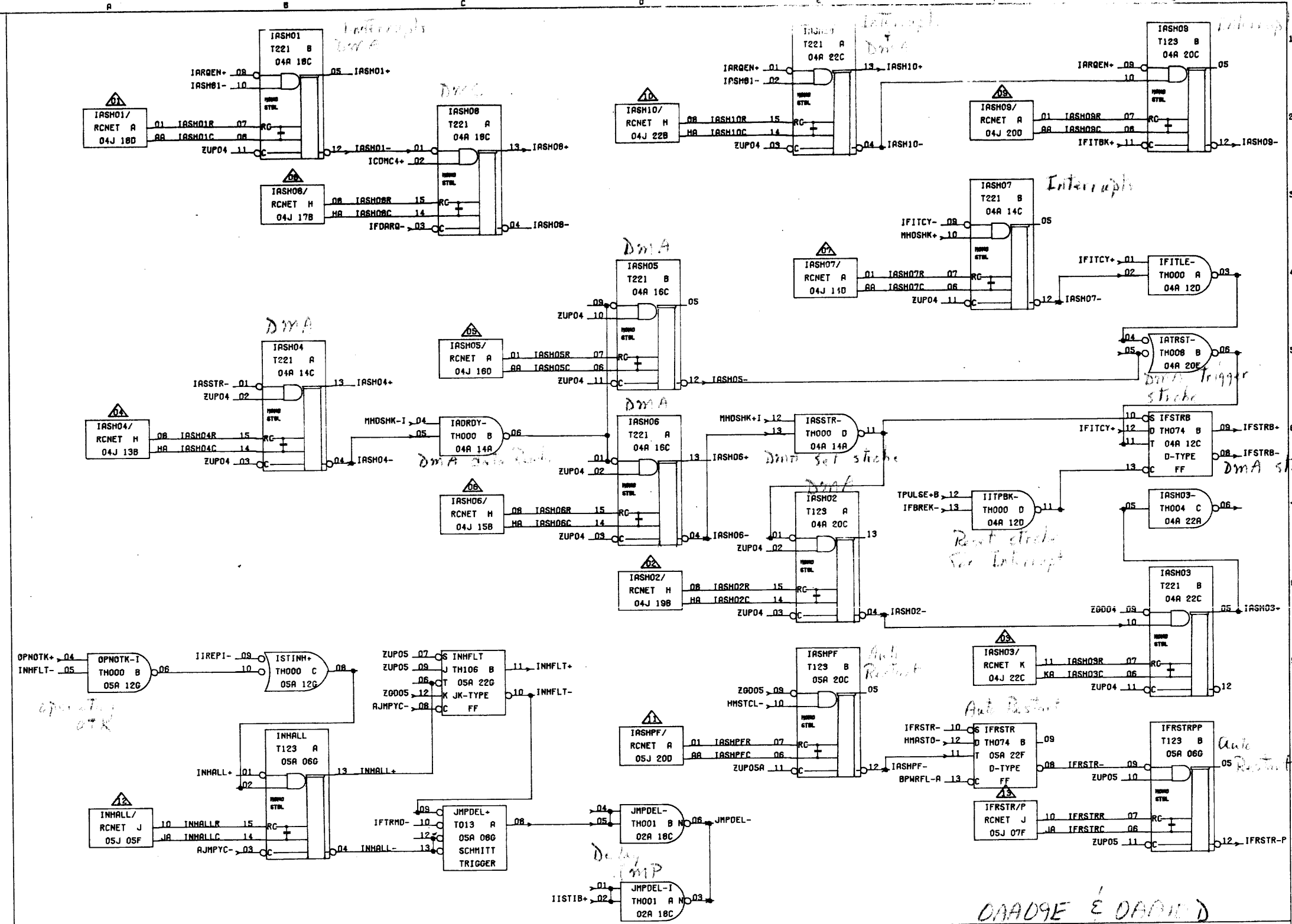




| | | |
|---------|---------|----------|
| BBYTXR- | IADCRQ- | RI06FF+ |
| 04A63 | 0135 | 08V38 |
| 0251 | IARENQ- | 0106 |
| BD010T+ | 04B20 | RI07FF+ |
| 07A20 | IAPARM- | 08V30 |
| 0101 | 04A54 | 0107 |
| BD020T+ | IAPARL- | RI08FF+ |
| 07A03 | 04A51 | 08T44 |
| 0102 | IAPERH- | 0108 |
| BD030T+ | 08A33 | RI09FF+ |
| 07A04 | IASHO1- | 11U32 |
| 0103 | 04V29 | 0109 |
| BD040T+ | 0137 | RI10FF+ |
| 07A05 | IASHO3- | 11V05 |
| 0104 | 04B62 | 0110 |
| BD050T+ | 0137 | RI11FF+ |
| 07A10 | IASHO4+ | 11U42 |
| 0105 | 0137 | 0111 |
| BD060T+ | IASHO6+ | RI12FF+ |
| 07A07 | 0137 | 11U39 |
| 0106 | IASHO7- | 0112 |
| BD070T+ | 04V25 | RI13FF+ |
| 07A17 | 0137 | 0113 |
| 0107 | IAMRBH+ | RI14FF+ |
| BD080T+ | 04B28 | 0114 |
| 07A09 | IAMRBL+ | RI15FF+ |
| 0108 | 04B01 | 0115 |
| BD090T+ | ICDMC4- | RI16FF+ |
| 07A07 | 04A64 | 0116 |
| 0109 | 0054 | TRRIFW+F |
| BD100T+ | IFBYTR+ | 04B43 |
| 07A61 | 04V49 | TRROFW- |
| 0110 | IFDARQ- | 04B66 |
| BD110T+ | 04V48 | ZGD08 |
| 07A29 | 0135 | 08T31 |
| 0111 | IFDCCY- | ZGD11 |
| BD120T+ | 07B04 | 11T47 |
| 07A69 | 0135 | |
| 0112 | IFDMAC+ | |
| BD130T+ | 0135 | |
| 07A53 | IFMECI+ | |
| 0113 | 04B60 | |
| BD140T+ | IFRTNX+ | |
| 07A40 | 04V09 | |
| 0114 | IFSTRB+ | |
| BD150T+ | 04B14 | |
| 07A45 | 0137 | |
| 0115 | IFSTRB- | |
| BD160T+ | 04B51 | |
| 07A60 | 0137 | |
| 0116 | IFWRIT+ | |
| BINPUT- | 04B05 | |
| 04B15 | IWDEL- | |
| 0051 | 04B07 | |
| BPARER- | MAFILF- | |
| 11B05 | 04A37 | |
| BPARLF- | 0150 | |
| 04A52 | MCERMT+ | |
| 0051 | 04A38 | |
| BPARRT- | 0150 | |
| 04A49 | RI01FF+ | |
| 0051 | 0101 | |
| BRITNX- | RI02FF+ | |
| 04A58 | 0102 | |
| 0051 | RI03FF+ | |
| ERIMBH+ | 0103 | |
| 04A62 | RI04FF+ | |
| ERIMBL+ | 0104 | |
| 04B16 | RI05FF+ | |
| ER0BHL+ | 08T50 | |
| 04B50 | 0105 | |

| | | | |
|--|----------|------|--------|
| HONEYWELL | | | |
| FRAMINGHAM COMPUTER OPERATIONS | | | |
| 8LD CONNECTICUT PATH, FRAMINGHAM, MASS | | | |
| 716 CENTRAL PROCESSOR | | | |
| DMA DATA CONTROL | | | |
| 07573 | | | |
| C | 70032831 | 0037 | 0136 A |

AJMPYC- 0137G10
 0129C06 05B54
 05B06 IFSTRB+
 BPWFL-A 0137G06
 0134A07 04B14
 MHASTO- IFSTRB-
 0055D04 0137G06
 05B64 04B51
 MHSTCL- IFTRMD-
 0055D04 0126E10
 05B50 IIREPI-
 IARGEN+ 0134A06
 0135F04 IISTIB+
 IASH01+ 0134D05
 0137B01 02B45
 IASH01- INHALL-
 0137B01 0137B10
 04V29 INHFLT+
 IASH02- 0137C09
 0137E07 05A11
 04V38 JMPDEL+
 IASH03- 0137C11
 0137G07 02B28
 04B62 JMPDEL-
 IASH04+ 0053F03
 0137B05 02B46
 IASH04- MHDSHK+
 0137B05 0150E08
 04V54 04B21
 IASH05- MHDSHK+I
 0137D04 0150E10
 04V53 04B03
 IASH06+ MHDSHK-I
 0137D06 0150E10
 IASH06- 04B13
 0137D06 OPNOTK+
 04V46 0138C09
 IASH07- 05B62
 0137F03 TPULSE+B
 04V25 0118G02
 IASH08+ 04B29
 0137C02 ZG005
 04V52 05U02
 IASH09-
 0137G01
 04V01
 IASH10+
 0137E01
 04V39
 IASH01-
 0135D09
 IASHPF-
 0137E09
 05V44
 ICDMC+
 0135B08
 IFBREK-
 0135E02
 04B37
 IFDARG-
 0135B04
 04V48
 IFITBK+
 0134F04
 04B67
 IFITCY+
 0134G02
 04B18
 IFITCY-
 0134G02
 IFRSTR-P



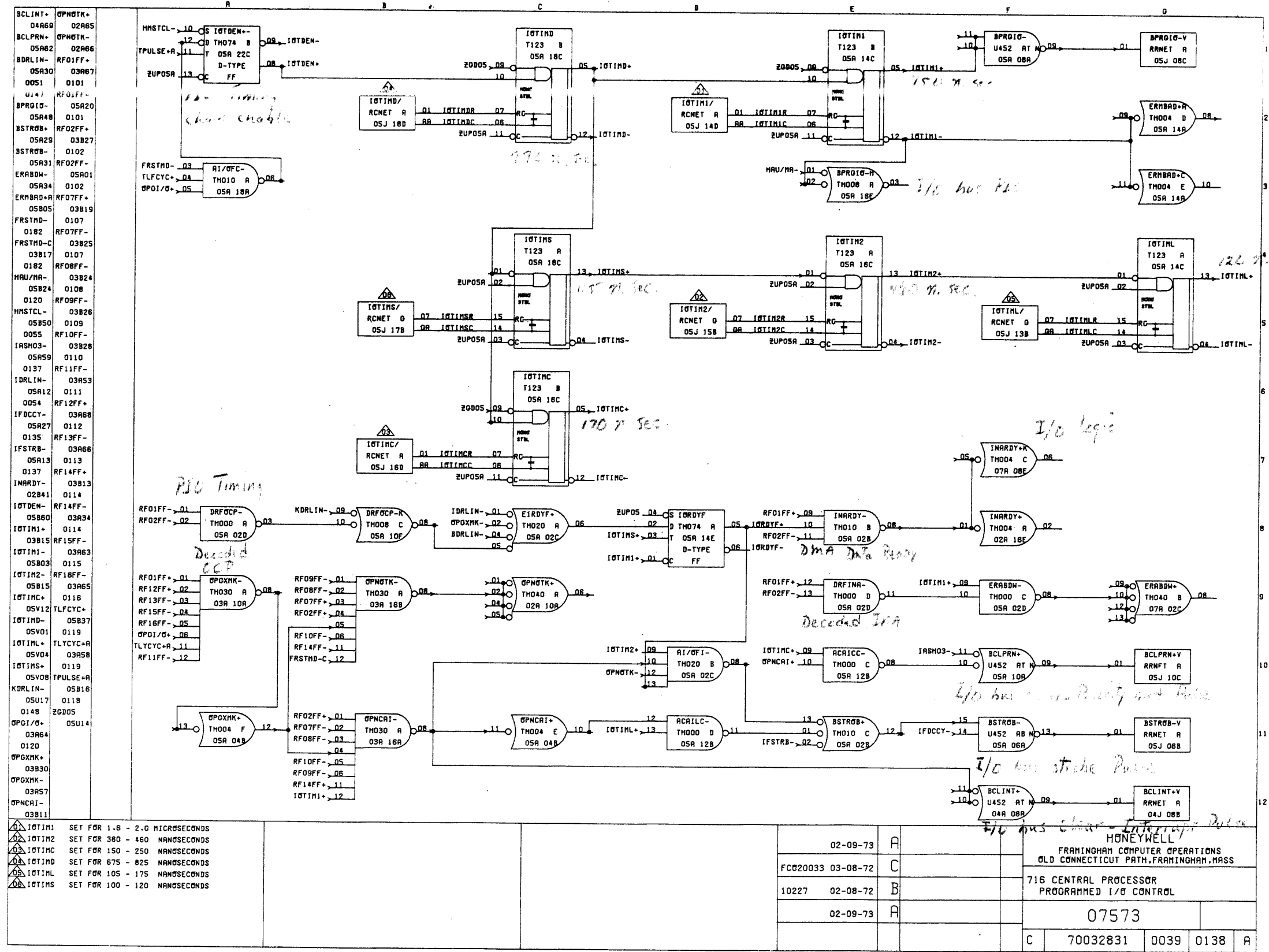
| | | |
|----|--------|--------------------------------|
| 1 | IASH01 | SET FOR 350 - 430 NANOSECONDS |
| 2 | IASH02 | SET FOR 45 - 75 NANOSECONDS |
| 3 | IASH03 | SET FOR 120 - 150 NANOSECONDS |
| 4 | IASH04 | SET FOR 250 - 310 NANOSECONDS |
| 5 | IASH05 | SET FOR 180 - 220 NANOSECONDS |
| 6 | IASH06 | SET FOR 370 - 450 NANOSECONDS |
| 7 | IASH07 | SET FOR 180 - 300 NANOSECONDS |
| 8 | IASH08 | SET FOR 620 - 760 NANOSECONDS |
| 9 | IASH09 | SET FOR 0.9 - 1.5 MICROSECONDS |
| 10 | IASH10 | SET FOR 225 - 275 NANOSECONDS |
| 11 | IASHPF | SET FOR 120 - 200 MILLISECONDS |

| | | |
|----|----------|-------------------------------|
| 12 | INHALL | SET FOR 50 - 100 MICROSECONDS |
| 13 | IFRSTRPP | SET FOR 50 - 100 NANOSECONDS |

| | | | | | |
|----------|----------|---|-------|----------|---|
| BLC50964 | 10-15-75 | F | 10227 | 02-08-72 | B |
| BLC41212 | 05-20-75 | E | | | |
| BLC40977 | 10-18-74 | D | | | |
| | 02-09-73 | A | | | |
| BLC31914 | 02-07-74 | C | | | |

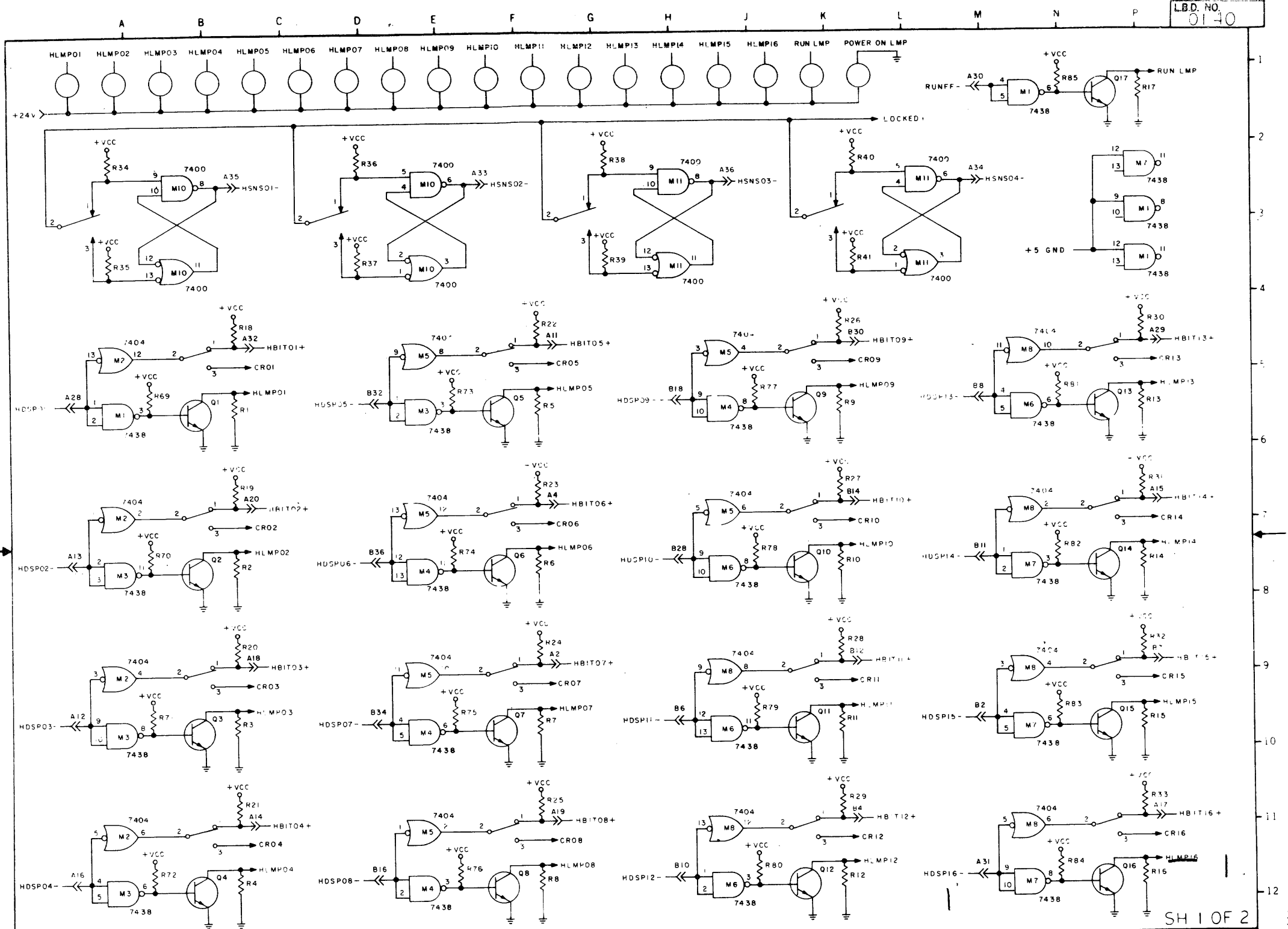
| | | | |
|-------------------------------|----------|------|--------|
| HONEYWELL | | | |
| HONEYWELL INFORMATION SYSTEMS | | | |
| LOC. BILLERICA, MASS. U.S.A. | | | |
| 716 CENTRAL PROCESSOR | | | |
| INTERRUPT AND BREAK TIMING | | | |
| 07573 | | | |
| | 70032831 | 0038 | 0137 F |

0AAD9E & 0AADI0



- △ IOTIM1 SET FOR 1.6 - 2.0 MICROSECONDS
- △ IOTIM2 SET FOR 380 - 460 NANoseconds
- △ IOTIMC SET FOR 150 - 250 NANoseconds
- △ IOTIMD SET FOR 675 - 825 NANoseconds
- △ IOTIML SET FOR 105 - 175 NANoseconds
- △ IOTIMS SET FOR 100 - 120 NANoseconds

| | | |
|--|----------|-------------|
| 02-09-73 | A | |
| FC020033 03-08-72 | C | |
| 10227 02-08-72 | B | |
| 02-09-73 | A | |
| HONEYWELL FRAMINGHAM COMPUTER OPERATIONS OLD CONNECTICUT PATH, FRAMINGHAM, MASS. | | |
| 716 CENTRAL PROCESSOR PROGRAMMED I/O CONTROL | | |
| 07573 | | |
| C | 70032831 | 0039 0138 A |



NOTES
 △
 △
 △
 △
 △ = + 24 GND

| REV | REVISIONS |
|-----|------------------|
| 1 | PER SER 664-4783 |
| 2 | |
| 3 | |
| 4 | |
| 5 | |
| 6 | |
| 7 | |
| 8 | |
| 9 | |
| 10 | |
| 11 | |
| 12 | |

HONEYWELL
 COMPUTER CONTROL DIVISION
 One Connecticut Plaza, Framingham, Mass.

BY S. ROTHSCHILD DATE 12/71
 ENG. PER 8UC041355
 APP. C.M.F. 75-1-28
 PROJECT NO. 53212

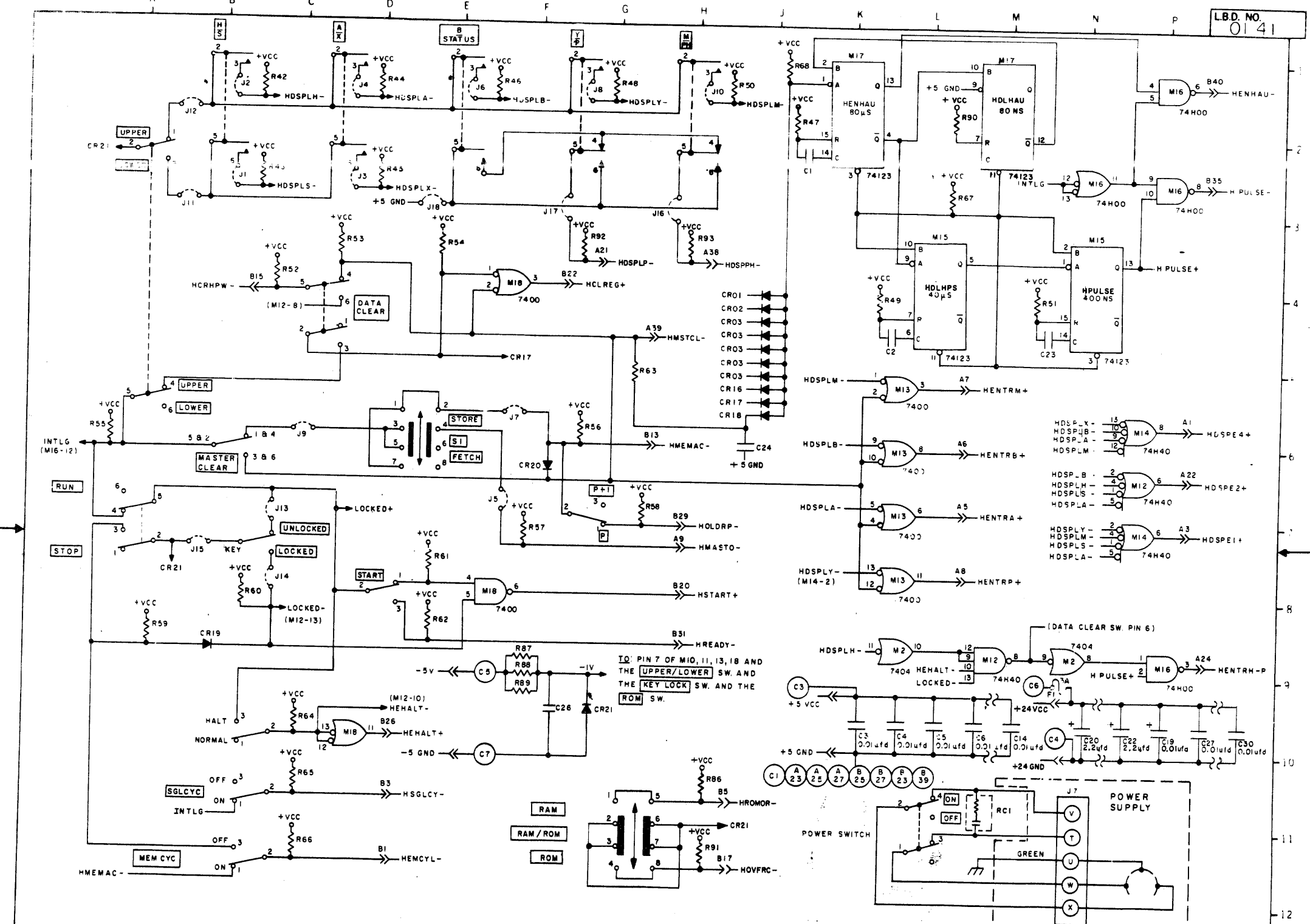
TITLE
CONTROL PANEL SCHEMATIC H716

SIZE DWG NO. REV
C 70032376 C

SH 1 OF 2

SH 1 OF 2

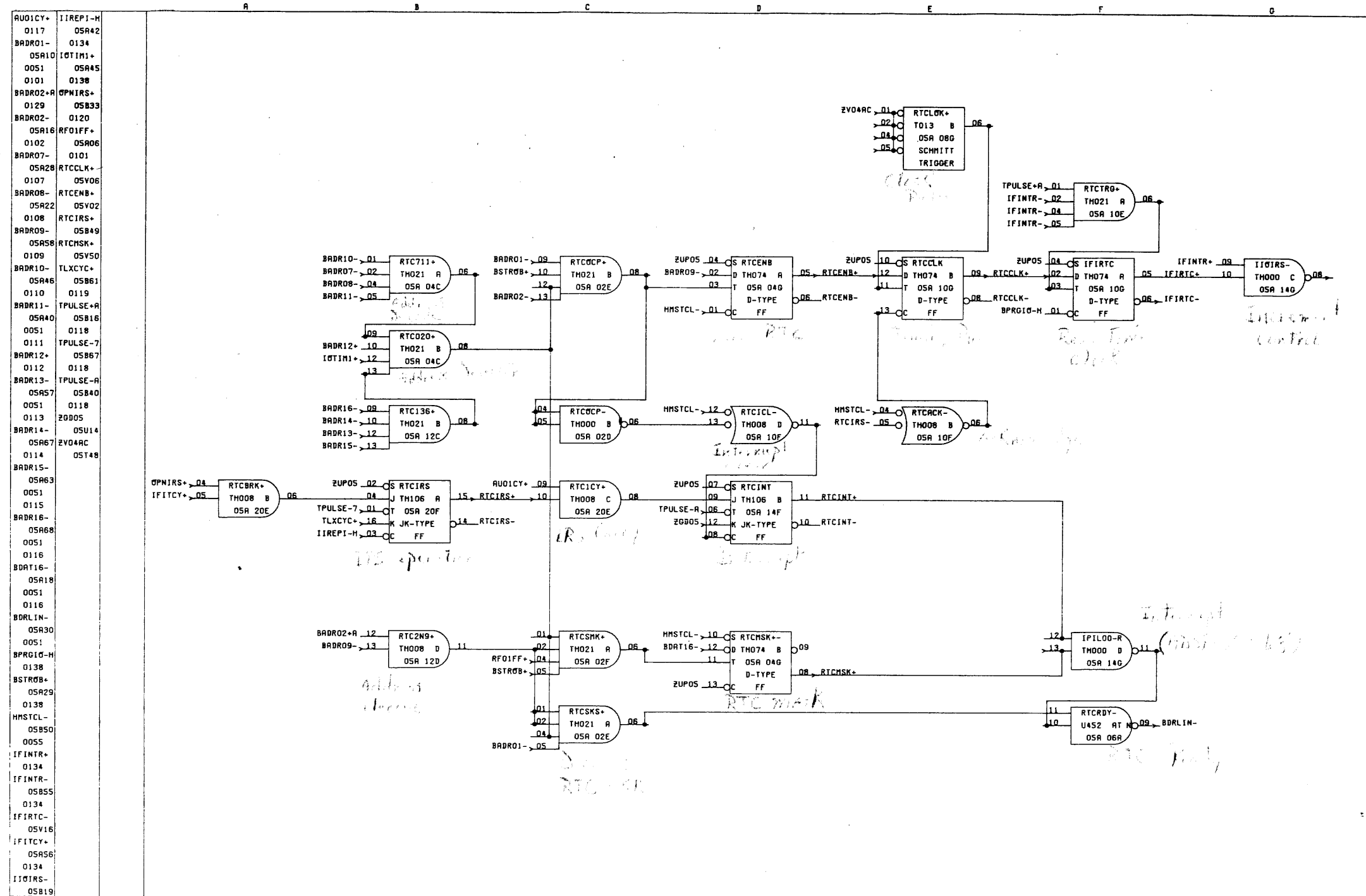
RB/HMM



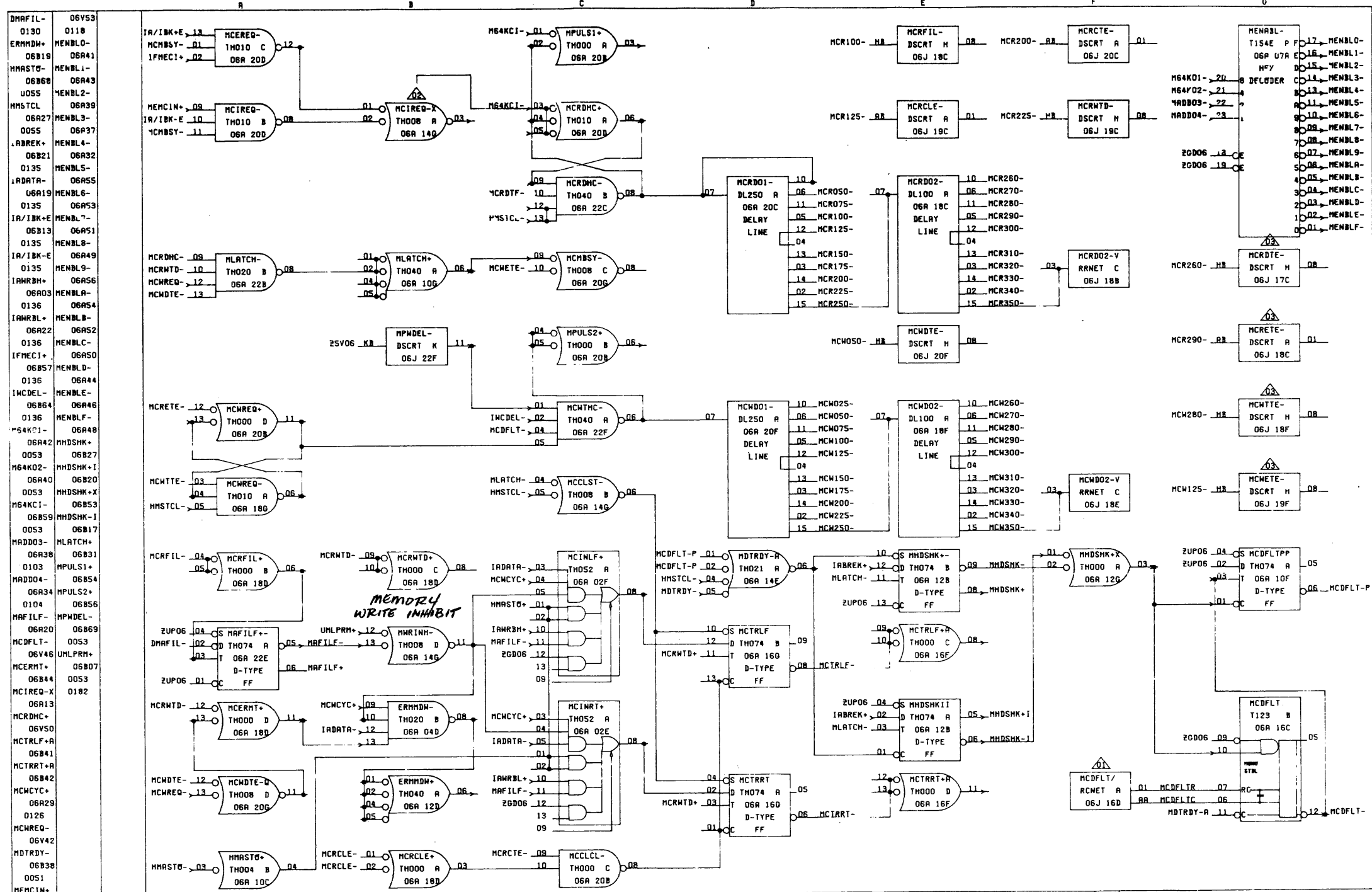
NOTES:
 ▲
 ▲
 ▲
 ▲

| CHK | REV | DATE | BY | APP |
|-----|-----|------|----|-----|
| | | | | |
| | | | | |
| | | | | |
| | | | | |
| | | | | |
| | | | | |
| | | | | |
| | | | | |

| | | | |
|--|------------------|---|----------|
| HONEYWELL INC. | | TITLE CONTROL PANEL SCHEMATIC H 716 | |
| COMPUTER CONTROL DIVISION ONE COMPUTER CENTER EL PASO, TEXAS | | | |
| DR. S. ROTHSCHILD | DATE 11/30/70 | SIZE | DWG. NO. |
| ENG. <i>[Signature]</i> | DATE 1/2/71 | C | 70032376 |
| APP. <i>[Signature]</i> | PROJECT NO 53212 | REV | C |



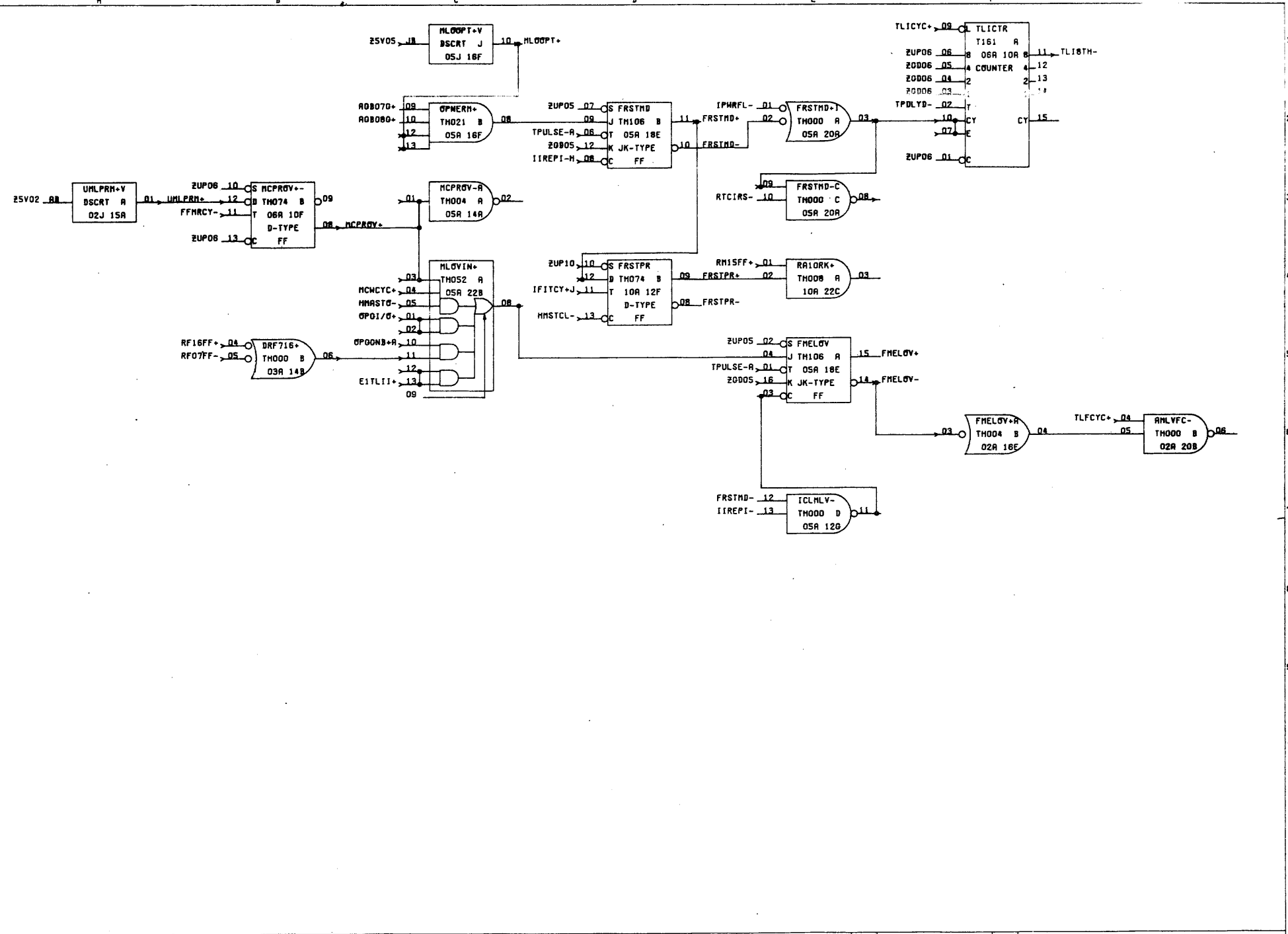
| | | | | | | | |
|--|--|--|--|-----------------------|----------|--|--------|
| | | | | | | HONEYWELL | |
| | | | | | | FRAMINGHAM COMPUTER OPERATIONS | |
| | | | | | | OLD CONNECTICUT PATH, FRAMINGHAM, MASS | |
| | | | | 716 CENTRAL PROCESSOR | | | |
| | | | | REAL-TIME CLOCK | | | |
| | | | | 07573 | | | |
| | | | | C | 70032831 | 0040 | 0147 A |



01 MCDFLT SET FOR 2.5 - 5.0 MICROSECONDS
 02 IN ABSENCE OF BANK SWITCHING OPTION.
 M64KCI- = MCIREQ-X
 03 TAP SHOWN IS NOMINAL ONLY

| | | | | | | |
|----------|----------|---|---|----------|------|--------|
| BLC31914 | 02-07-74 | C | HONEYWELL | | | |
| | | | FRAMINGHAM COMPUTER OPERATIONS | | | |
| | | | OLD CONNECTICUT PATH, FRAMINGHAM, MASS. | | | |
| | | | 716 CENTRAL PROCESSOR | | | |
| | | | CORE-MEMORY INTERFACE AND CONTROL | | | |
| | | | 07573 | | | |
| BLC40977 | 10-18-74 | D | C | 70032831 | 0042 | 0150 D |

RO8070+ 05840
 0134 0118
 RO8080+ UMLPRM+
 0134 02809
 DRF716+ 0053
 03816;Z5V05
 E1TLTI+ 05U23
 05857;Z0805
 0119 05U14
 FFRRCY- ZUP10
 06A15 10V49
 0118
 FMELOY-
 02A56
 FRSTMD+ UMLPRM+V
 05B44 DSCR A
 05B26 D2J 15A
 FRSTMD+J
 05B26
 FRSTMD-C
 05B46
 HMSTO-
 05804
 0055
 HMSTCL-
 10866
 0055
 IFITCY+J
 10805
 0134
 IIREPI-
 0134
 IIREPI-H
 05A42
 0134
 IPHRFL-
 0134
 MCPROV+
 05B68
 MCMCYC+
 05B66
 0126
 MLOOPT+
 05B20
 OPGONB+R
 05B12
 0120
 OPG1/G+
 05B39
 0120
 RF07FF-
 03B25
 0107
 RF16FF+
 03B12
 0116
 RM15FF+
 10U07
 0115
 RTCIRS-
 0147
 TLFICY+
 02B64
 0119
 TL18TH-
 06A62
 TLFICY+
 06A64
 0119
 TPDLVD-
 0118
 TPULSE-A



| | | | | | | | | | | | |
|--|--|--|--|----------|----------|---|---|--|------|------|---|
| | | | | 02-09-73 | A | | | HONEYWELL | | | |
| | | | | FRM20214 | 05-08-72 | D | | FRAMINGHAM COMPUTER OPERATIONS OLD CONNECTICUT PATH, FRAMINGHAM, MASS | | | |
| | | | | FC020033 | 03-08-72 | C | | 716 CENTRAL PROCESSOR MEMORY-LOCKOUT INTERFACE | | | |
| | | | | 10227 | 02-08-72 | B | | 07573 | | | |
| | | | | 02-09-73 | A | | C | 70032831 | 0043 | 0182 | A |

SECTION IV
CONDENSED SIGNAL LIST K70030679-319

This section contains the condensed mnemonic signal list of the signals in the Type 716 central processor.* The signals are arranged in alphabetical order. When a digit appears in the second position (and possibly successive positions) of a mnemonic, the mnemonic is placed at the beginning of that alphabetical listing. For example, E40SCT - appears in the E-listing, prior to EAUMAN+. The column headings of the listing and their meanings are as follows:

| | |
|---------------------|---|
| FR: | Always blank |
| SS: | Slot number in frame |
| C: | = A for all DIP pins (column DDM not blank) = A for left tongue of bottom connector (column DDM is blank) = B for right tongue of bottom connector (column DDM is blank) = J for all discrete components (DDM never blank) = T, U, or V for 3 tongues of top connector (DDM is blank) |
| DD: | DIP site column (or equivalent for discrete component) |
| M: | DIP site row (or equivalent for discrete component) |
| PP: | Pin number for DIP as connector; position in site for discrete component |
| LBD DWG LOCATOR: | Sheet number and geographical coordinate of the pin number |
| P: | Pin type: O for output |
| T: | I for input |
| LAST REV: | Last revision which affected this signal |

*For systems manufactured through February 1973.

CONDENSED SIGNAL LIST
716 CENTRAL PROCESSOR

TOP DRAWING NUMBER 03000 K70030679-319 REV 10-18-74 FILE NAME X13CP0XX 5 PAGE 0003

| SIGNAL NAME | FR | SSC | DDM | PP | LBD | DWG | P | LAST | SIGNAL NAME | FR | SSC | DDM | PP | LBD | DWG | P | LAST | SIGNAL NAME | FR | SSC | DDM | PP | LBD | DWG | P | LAST |
|-------------|-----|-----|-----|----|--------|-----|----|------|-------------|-----|-----|-----|----|--------|-----|----|------|-------------|-----|-----|-----|----|--------|-----|----|------|
| ACAICC-- | 09A | 09A | 07 | 01 | 138E10 | I | 23 | | ADBLKD-- | 01A | 03A | 06 | 01 | 117E10 | I | 22 | | ADBLKD-- | 01A | 03A | 06 | 01 | 117E10 | I | 22 | |
| ACAICL.. | 09A | 02B | 01 | 01 | 138E11 | I | 23 | | ADIV01.. | 03A | 19B | 07 | 02 | 122F08 | O | 22 | | ADIV01.. | 03A | 19B | 07 | 02 | 122F08 | O | 22 | |
| ACASEZ.. | 01A | 14B | 09 | 01 | 118C12 | O | 22 | | ADIV02.. | 03A | 22B | 05 | 01 | 123F06 | O | 22 | | ADIV02.. | 03A | 22B | 05 | 01 | 123F06 | O | 22 | |
| ACASKO.. | 01A | 130 | 07 | 01 | 119F10 | I | B2 | | ADIV03.. | 03A | 22B | 05 | 01 | 123F06 | O | 22 | | ADIV03.. | 03A | 22B | 05 | 01 | 123F06 | O | 22 | |
| ACASK1.. | 01A | 15B | 07 | 01 | 119F06 | O | B2 | | ADIV04.. | 03A | 22B | 05 | 01 | 123F06 | O | 22 | | ADIV04.. | 03A | 22B | 05 | 01 | 123F06 | O | 22 | |
| ACASXZ.. | 02A | 01B | 04 | 01 | 127C11 | O | 22 | | ADIV05.. | 03A | 22B | 05 | 01 | 123F06 | O | 22 | | ADIV05.. | 03A | 22B | 05 | 01 | 123F06 | O | 22 | |
| ACASYC.. | 01A | 12E | 02 | 01 | 119E10 | O | B2 | | ADIV06.. | 03A | 22B | 05 | 01 | 123F06 | O | 22 | | ADIV06.. | 03A | 22B | 05 | 01 | 123F06 | O | 22 | |
| ACRYXC.. | 02A | 14B | 02 | 01 | 117B04 | I | A1 | | ADIV07.. | 03A | 22B | 05 | 01 | 123F06 | O | 22 | | ADIV07.. | 03A | 22B | 05 | 01 | 123F06 | O | 22 | |
| ACWCY0.. | 01A | 06E | 09 | 01 | 128B01 | O | 22 | | ADIV08.. | 03A | 22B | 05 | 01 | 123F06 | O | 22 | | ADIV08.. | 03A | 22B | 05 | 01 | 123F06 | O | 22 | |
| ACWCY1.. | 01A | 02B | 06 | 01 | 130E05 | O | 22 | | ADIV09.. | 03A | 22B | 05 | 01 | 123F06 | O | 22 | | ADIV09.. | 03A | 22B | 05 | 01 | 123F06 | O | 22 | |
| ACWCY2.. | 01A | 01B | 07 | 01 | 130E06 | O | 22 | | ADIV10.. | 03A | 22B | 05 | 01 | 123F06 | O | 22 | | ADIV10.. | 03A | 22B | 05 | 01 | 123F06 | O | 22 | |
| ADBLEI.. | 01A | 08A | 03 | 01 | 128C03 | O | 22 | | ADIV11.. | 03A | 22B | 05 | 01 | 123F06 | O | 22 | | ADIV11.. | 03A | 22B | 05 | 01 | 123F06 | O | 22 | |
| ADBLEF.. | 02A | 13D | 04 | 01 | 117B08 | I | A1 | | ADIV12.. | 03A | 22B | 05 | 01 | 123F06 | O | 22 | | ADIV12.. | 03A | 22B | 05 | 01 | 123F06 | O | 22 | |
| ADBLIS.. | 01A | 05A | 07 | 01 | 128C04 | I | B3 | | ADIV13.. | 03A | 22B | 05 | 01 | 123F06 | O | 22 | | ADIV13.. | 03A | 22B | 05 | 01 | 123F06 | O | 22 | |
| ADBLXD.. | 01A | 08A | 03 | 01 | 128C03 | O | 22 | | ADIV14.. | 03A | 22B | 05 | 01 | 123F06 | O | 22 | | ADIV14.. | 03A | 22B | 05 | 01 | 123F06 | O | 22 | |

CONDENSED SIGNAL LIST
716 CENTRAL PROCESSOR

TOP DRAWING NUMBER 03000 K70030679-319 REV 10-18-74 FILE NAME X13CP0XX 5 PAGE 0004

REVISION HISTORY

| REV | REV | NO | DT | YR | ECO NUMBER | FILE NAME |
|-----|-----|----|----------|----|------------|-------------|
| L | L | A | 10-18-74 | | BLC40977 | EOPACFIL UR |

NAME REVISION INDEX

| NO | REV | ECO | PAGE | REV | ECO | PAGE | REV | ECO | PAGE | REV | ECO | PAGE | REV | ECO | PAGE |
|------|-----|-------|------|-------|------|-------|------|-------|------|-------|------|-------|------|-------|------|
| 0003 | B | 10227 | 3004 | 10227 | 0004 | 10227 | 0004 | 10227 | 0004 | 10227 | 0004 | 10227 | 0004 | 10227 | 0004 |
| 0004 | B | 10227 | 0004 | 10227 | 0004 | 10227 | 0004 | 10227 | 0004 | 10227 | 0004 | 10227 | 0004 | 10227 | 0004 |
| 0013 | B | 10227 | 0014 | 10227 | 0014 | 10227 | 0014 | 10227 | 0014 | 10227 | 0014 | 10227 | 0014 | 10227 | 0014 |
| 0018 | B | 10227 | 0019 | 10227 | 0019 | 10227 | 0019 | 10227 | 0019 | 10227 | 0019 | 10227 | 0019 | 10227 | 0019 |
| 0027 | B | 10227 | 0029 | 10227 | 0029 | 10227 | 0029 | 10227 | 0029 | 10227 | 0029 | 10227 | 0029 | 10227 | 0029 |
| 0033 | B | 10227 | 0039 | 10227 | 0039 | 10227 | 0039 | 10227 | 0039 | 10227 | 0039 | 10227 | 0039 | 10227 | 0039 |
| 0039 | B | 10227 | 0049 | 10227 | 0049 | 10227 | 0049 | 10227 | 0049 | 10227 | 0049 | 10227 | 0049 | 10227 | 0049 |
| 0048 | B | 10227 | 0049 | 10227 | 0049 | 10227 | 0049 | 10227 | 0049 | 10227 | 0049 | 10227 | 0049 | 10227 | 0049 |
| 0053 | B | 10227 | 0054 | 10227 | 0054 | 10227 | 0054 | 10227 | 0054 | 10227 | 0054 | 10227 | 0054 | 10227 | 0054 |
| 0063 | B | 10227 | 0064 | 10227 | 0064 | 10227 | 0064 | 10227 | 0064 | 10227 | 0064 | 10227 | 0064 | 10227 | 0064 |
| 0068 | B | 10227 | 0069 | 10227 | 0069 | 10227 | 0069 | 10227 | 0069 | 10227 | 0069 | 10227 | 0069 | 10227 | 0069 |
| 0073 | B | 10227 | 0074 | 10227 | 0074 | 10227 | 0074 | 10227 | 0074 | 10227 | 0074 | 10227 | 0074 | 10227 | 0074 |
| 0078 | B | 10227 | 0079 | 10227 | 0079 | 10227 | 0079 | 10227 | 0079 | 10227 | 0079 | 10227 | 0079 | 10227 | 0079 |

* INDICATES CHANGE ON THIS REVISION
PAGE 0001 REV M NEXT PAGE IS 0002

CONDENSED SIGNAL LIST
716 CENTRAL PROCESSOR

TOP DRAWING NUMBER 03000 K70030679-319 REV 10-18-74 FILE NAME X13CP0XX 5 PAGE 0004

| SIGNAL NAME | FR | SSC | DDM | PP | LBD | DWG | P | LAST | SIGNAL NAME | FR | SSC | DDM | PP | LBD | DWG | P | LAST | SIGNAL NAME | FR | SSC | DDM | PP | LBD | DWG | P | LAST |
|-------------|-----|-----|-----|----|--------|-----|----|------|-------------|-----|-----|-----|----|--------|-----|----|------|-------------|-----|-----|-----|----|--------|-----|----|------|
| ADIVXL.. | 09A | 06B | 02 | 01 | 127F04 | O | 22 | | AEDINS.. | 01A | 14E | 01 | 01 | 128A09 | I | 22 | | AGA11G.. | 03A | 02C | 05 | 01 | 122F01 | I | 22 | |
| ADIVX/- | 09A | 06B | 02 | 01 | 127F04 | O | 22 | | AGANFC.. | 03A | 07B | 05 | 01 | 117B01 | I | 22 | | AGANFC.. | 03A | 07B | 05 | 01 | 117B01 | I | 22 | |
| ADIVXS.. | 01A | 11C | 07 | 01 | 117B10 | O | A1 | | AGANFC.. | 03A | 07B | 05 | 01 | 117B01 | I | 22 | | AGANFC.. | 03A | 07B | 05 | 01 | 117B01 | I | 22 | |
| ADIVXT.. | 01A | 14D | 06 | 01 | 117B08 | I | A1 | | AGANFC.. | 03A | 07B | 05 | 01 | 117B01 | I | 22 | | AGANFC.. | 03A | 07B | 05 | 01 | 117B01 | I | 22 | |
| ADIVYT.. | 09A | 04B | 03 | 01 | 127F06 | I | 22 | | AGANFC.. | 03A | 07B | 05 | 01 | 117B01 | I | 22 | | AGANFC.. | 03A | 07B | 05 | 01 | 117B01 | I | 22 | |
| ADIVYZ.. | 09A | 04B | 03 | 01 | 127F06 | I | 22 | | AGANFC.. | 03A | 07B | 05 | 01 | 117B01 | I | 22 | | AGANFC.. | 03A | 07B | 05 | 01 | 117B01 | I | 22 | |
| ADIVZ0.. | 09A | 04B | 03 | 01 | 127F06 | I | 22 | | AGANFC.. | 03A | 07B | 05 | 01 | 117B01 | I | 22 | | AGANFC.. | 03A | 07B | 05 | 01 | 117B01 | I | 22 | |
| ADIVZ1.. | 09A | 04B | 03 | 01 | 127F06 | I | 22 | | AGANFC.. | 03A | 07B | 05 | 01 | 117B01 | I | 22 | | AGANFC.. | 03A | 07B | 05 | 01 | 117B01 | I | 22 | |
| ADIVZ2.. | 09A | 04B | 03 | 01 | 127F06 | I | 22 | | AGANFC.. | 03A | 07B | 05 | 01 | 117B01 | I | 22 | | AGANFC.. | 03A | 07B | 05 | 01 | 117B01 | I | 22 | |
| ADIVZ3.. | 09A | 04B | 03 | 01 | 127F06 | I | 22 | | AGANFC.. | 03A | 07B | 05 | 01 | 117B01 | I | 22 | | AGANFC.. | 03A | 07B | 05 | 01 | 117B01 | I | 22 | |
| ADIVZ4.. | 09A | 04B | 03 | 01 | 127F06 | I | 22 | | AGANFC.. | 03A | 07B | 05 | 01 | 117B01 | I | 22 | | AGANFC.. | 03A | 07B | 05 | 01 | 117B01 | I | 22 | |
| ADIVZ5.. | 09A | 04B | 03 | 01 | 127F06 | I | 22 | | AGANFC.. | 03A | 07B | 05 | 01 | 117B01 | I | 22 | | AGANFC.. | 03A | 07B | 05 | 01 | 117B01 | I | 22 | |
| ADIVZ6.. | 09A | 04B | 03 | 01 | 127F06 | I | 22 | | AGANFC.. | 03A | 07B | 05 | 01 | 117B01 | I | 22 | | AGANFC.. | 03A | 07B | 05 | 01 | 117B01 | I | 22 | |
| ADIVZ7.. | 09A | 04B | 03 | 01 | 127F06 | I | 22 | | AGANFC.. | 03A | 07B | 05 | 01 | 117B01 | I | 22 | | AGANFC.. | 03A | 07B | 05 | 01 | 117B01 | I | 22 | |
| ADIVZ8.. | 09A | 04B | 03 | 01 | 127F06 | I | 22 | | AGANFC.. | 03A | 07B | 05 | 01 | 117B01 | I | 22 | | AGANFC.. | 03A | 07B | 05 | 01 | 117B01 | I | 22 | |
| ADIVZ9.. | 09A | 04B | 03 | 01 | 127F06 | I | 22 | | AGANFC.. | 03A | 07B | 05 | 01 | 117B01 | I | 22 | | AGANFC.. | 03A | 07B | 05 | 01 | 117B01 | I | 22 | |
| ADIVZ0.. | 09A | 04B | 03 | 01 | 127F06 | I | 22 | | AGANFC.. | 03A | 07B | 05 | 01 | 117B01 | I | 22 | | AGANFC.. | 03A | 07B | 05 | 01 | 117B01 | I | 22 | |
| ADIVZ1.. | 09A | 04B | 03 | 01 | 127F06 | I | 22 | | AGANFC.. | 03A | 07B | 05 | 01 | 117B01 | I | 22 | | AGANFC.. | 03A | 07B | 05 | 01 | 117B01 | I | 22 | |
| ADIVZ2.. | 09A | 04B | 03 | 01 | 127F06 | I | 22 | | AGANFC.. | 03A | 07B | 05 | 01 | 117B01 | I | 22 | | AGANFC.. | 03A | 07B | 05 | 01 | 117B01 | I | 22 | |
| ADIVZ3.. | 09A | 04B | 03 | 01 | 127F06 | I | 22 | | AGANFC.. | 03A | 07B | 05 | 01 | 117B01 | I | 22 | | AGANFC.. | 03A | 07B | 05 | 01 | 117B01 | I | 22 | |
| ADIVZ4.. | 09A | 04B | 03 | 01 | 127F06 | I | 22 | | AGANFC.. | 03A | 07B | 05 | 01 | 117B01 | I | 22 | | AGANFC.. | 03A | 07B | 05 | 01 | 117B01 | I | 22 | |
| ADIVZ5.. | 09A | 04B | 03 | 01 | 127F06 | I | 22 | | AGANFC.. | 03A | 07B | 05 | 01 | 117B01 | I | 22 | | AGANFC.. | 03A | 07B | 05 | 01 | 117B01 | I | 22 | |
| ADIVZ6.. | 09A | 04B | 03 | 01 | 127F06 | I | 22 | | AGANFC.. | 03A | 07B | 05 | 01 | 117B01 | I | 22 | | AGANFC.. | 03A | 07B | 05 | 01 | 117B01 | I | 22 | |
| ADIVZ7.. | 09A | 04B | 03 | 01 | 127F06 | I | 22 | | AGANFC.. | 03A | 07B | 05 | 01 | 117B01 | I | 22 | | AGANFC.. | 03A | 07B | 05 | | | | | |

CONDENSED SIGNAL LIST 716 CENTRAL PROCESSOR 03000 K70030679-319 REV 10-18-74 FILE NAME X13CPDXX 5 PAGE 0006

| SIGNAL NAME | FR | SSC | DDM | PP | LBD | DWG | P | LAST | SIGNAL NAME | FR | SSC | DDM | PP | LBD | DWG | P | LAST |
|-------------|-----|-----|-----|------|-----|-----|------|------|-------------|-----|-----|-----|----|-----|-----|------|------|
| AMPYTE- | 03A | 01B | 01 | 01 | 01 | 27 | 00 | I 22 | AM/DXL- | 03A | 01F | 02 | 01 | 27 | 00 | I 22 | |
| AMPYTL- | 03A | 01C | 01 | 01 | 27 | 00 | O 22 | | AM/DXM- | 03A | 15C | 02 | 01 | 22 | 00 | O 22 | |
| AMPYTL- | 03A | 01D | 01 | 01 | 27 | 00 | O 22 | | AM/DXT- | 03A | 04A | 01 | 01 | 19 | 00 | O B2 | |
| AMPYTL- | 03A | 01E | 01 | 01 | 27 | 00 | O 22 | | AM/DYC- | 03A | 12B | 02 | 01 | 19 | 00 | O B2 | |
| AMPYTL- | 03A | 01F | 01 | 01 | 27 | 00 | O 22 | | AM/RFL- | 03A | 15A | 02 | 01 | 27 | 00 | O B3 | |
| AMPYTL- | 03A | 01G | 01 | 01 | 27 | 00 | O 22 | | AM/RFL- | 03A | 15C | 02 | 01 | 27 | 00 | O B3 | |
| AMPYTL- | 03A | 01H | 01 | 01 | 27 | 00 | O 22 | | | | | | | | | | |
| AMPYTL- | 03A | 01I | 01 | 01 | 27 | 00 | O 22 | | | | | | | | | | |
| AMPYTL- | 03A | 01J | 01 | 01 | 27 | 00 | O 22 | | | | | | | | | | |
| AMPYTL- | 03A | 01K | 01 | 01 | 27 | 00 | O 22 | | | | | | | | | | |
| AMPYTL- | 03A | 01L | 01 | 01 | 27 | 00 | O 22 | | | | | | | | | | |
| AMPYTL- | 03A | 01M | 01 | 01 | 27 | 00 | O 22 | | | | | | | | | | |
| AMPYTL- | 03A | 01N | 01 | 01 | 27 | 00 | O 22 | | | | | | | | | | |
| AMPYTL- | 03A | 01O | 01 | 01 | 27 | 00 | O 22 | | | | | | | | | | |
| AMPYTL- | 03A | 01P | 01 | 01 | 27 | 00 | O 22 | | | | | | | | | | |
| AMPYTL- | 03A | 01Q | 01 | 01 | 27 | 00 | O 22 | | | | | | | | | | |
| AMPYTL- | 03A | 01R | 01 | 01 | 27 | 00 | O 22 | | | | | | | | | | |
| AMPYTL- | 03A | 01S | 01 | 01 | 27 | 00 | O 22 | | | | | | | | | | |
| AMPYTL- | 03A | 01T | 01 | 01 | 27 | 00 | O 22 | | | | | | | | | | |
| AMPYTL- | 03A | 01U | 01 | 01 | 27 | 00 | O 22 | | | | | | | | | | |
| AMPYTL- | 03A | 01V | 01 | 01 | 27 | 00 | O 22 | | | | | | | | | | |
| AMPYTL- | 03A | 01W | 01 | 01 | 27 | 00 | O 22 | | | | | | | | | | |
| AMPYTL- | 03A | 01X | 01 | 01 | 27 | 00 | O 22 | | | | | | | | | | |
| AMPYTL- | 03A | 01Y | 01 | 01 | 27 | 00 | O 22 | | | | | | | | | | |
| AMPYTL- | 03A | 01Z | 01 | 01 | 27 | 00 | O 22 | | | | | | | | | | |
| AMPYTL- | 03A | 02A | 01 | 01 | 27 | 00 | O 22 | | | | | | | | | | |
| AMPYTL- | 03A | 02B | 01 | 01 | 27 | 00 | O 22 | | | | | | | | | | |
| AMPYTL- | 03A | 02C | 01 | 01 | 27 | 00 | O 22 | | | | | | | | | | |
| AMPYTL- | 03A | 02D | 01 | 01 | 27 | 00 | O 22 | | | | | | | | | | |
| AMPYTL- | 03A | 02E | 01 | 01 | 27 | 00 | O 22 | | | | | | | | | | |
| AMPYTL- | 03A | 02F | 01 | 01 | 27 | 00 | O 22 | | | | | | | | | | |
| AMPYTL- | 03A | 02G | 01 | 01 | 27 | 00 | O 22 | | | | | | | | | | |
| AMPYTL- | 03A | 02H | 01 | 01 | 27 | 00 | O 22 | | | | | | | | | | |
| AMPYTL- | 03A | 02I | 01 | 01 | 27 | 00 | O 22 | | | | | | | | | | |
| AMPYTL- | 03A | 02J | 01 | 01 | 27 | 00 | O 22 | | | | | | | | | | |
| AMPYTL- | 03A | 02K | 01 | 01 | 27 | 00 | O 22 | | | | | | | | | | |
| AMPYTL- | 03A | 02L | 01 | 01 | 27 | 00 | O 22 | | | | | | | | | | |
| AMPYTL- | 03A | 02M | 01 | 01 | 27 | 00 | O 22 | | | | | | | | | | |
| AMPYTL- | 03A | 02N | 01 | 01 | 27 | 00 | O 22 | | | | | | | | | | |
| AMPYTL- | 03A | 02O | 01 | 01 | 27 | 00 | O 22 | | | | | | | | | | |
| AMPYTL- | 03A | 02P | 01 | 01 | 27 | 00 | O 22 | | | | | | | | | | |
| AMPYTL- | 03A | 02Q | 01 | 01 | 27 | 00 | O 22 | | | | | | | | | | |
| AMPYTL- | 03A | 02R | 01 | 01 | 27 | 00 | O 22 | | | | | | | | | | |
| AMPYTL- | 03A | 02S | 01 | 01 | 27 | 00 | O 22 | | | | | | | | | | |
| AMPYTL- | 03A | 02T | 01 | 01 | 27 | 00 | O 22 | | | | | | | | | | |
| AMPYTL- | 03A | 02U | 01 | 01 | 27 | 00 | O 22 | | | | | | | | | | |
| AMPYTL- | 03A | 02V | 01 | 01 | 27 | 00 | O 22 | | | | | | | | | | |
| AMPYTL- | 03A | 02W | 01 | 01 | 27 | 00 | O 22 | | | | | | | | | | |
| AMPYTL- | 03A | 02X | 01 | 01 | 27 | 00 | O 22 | | | | | | | | | | |
| AMPYTL- | 03A | 02Y | 01 | 01 | 27 | 00 | O 22 | | | | | | | | | | |
| AMPYTL- | 03A | 02Z | 01 | 01 | 27 | 00 | O 22 | | | | | | | | | | |
| AMPYTL- | 03A | 03A | 01 | 01 | 27 | 00 | O 22 | | | | | | | | | | |
| AMPYTL- | 03A | 03B | 01 | 01 | 27 | 00 | O 22 | | | | | | | | | | |
| AMPYTL- | 03A | 03C | 01 | 01 | 27 | 00 | O 22 | | | | | | | | | | |
| AMPYTL- | 03A | 03D | 01 | 01 | 27 | 00 | O 22 | | | | | | | | | | |
| AMPYTL- | 03A | 03E | 01 | 01 | 27 | 00 | O 22 | | | | | | | | | | |
| AMPYTL- | 03A | 03F | 01 | 01 | 27 | 00 | O 22 | | | | | | | | | | |
| AMPYTL- | 03A | 03G | 01 | 01 | 27 | 00 | O 22 | | | | | | | | | | |
| AMPYTL- | 03A | 03H | 01 | 01 | 27 | 00 | O 22 | | | | | | | | | | |
| AMPYTL- | 03A | 03I | 01 | 01 | 27 | 00 | O 22 | | | | | | | | | | |
| AMPYTL- | 03A | 03J | 01 | 01 | 27 | 00 | O 22 | | | | | | | | | | |
| AMPYTL- | 03A | 03K | 01 | 01 | 27 | 00 | O 22 | | | | | | | | | | |
| AMPYTL- | 03A | 03L | 01 | 01 | 27 | 00 | O 22 | | | | | | | | | | |
| AMPYTL- | 03A | 03M | 01 | 01 | 27 | 00 | O 22 | | | | | | | | | | |
| AMPYTL- | 03A | 03N | 01 | 01 | 27 | 00 | O 22 | | | | | | | | | | |
| AMPYTL- | 03A | 03O | 01 | 01 | 27 | 00 | O 22 | | | | | | | | | | |
| AMPYTL- | 03A | 03P | 01 | 01 | 27 | 00 | O 22 | | | | | | | | | | |
| AMPYTL- | 03A | 03Q | 01 | 01 | 27 | 00 | O 22 | | | | | | | | | | |
| AMPYTL- | 03A | 03R | 01 | 01 | 27 | 00 | O 22 | | | | | | | | | | |
| AMPYTL- | 03A | 03S | 01 | 01 | 27 | 00 | O 22 | | | | | | | | | | |
| AMPYTL- | 03A | 03T | 01 | 01 | 27 | 00 | O 22 | | | | | | | | | | |
| AMPYTL- | 03A | 03U | 01 | 01 | 27 | 00 | O 22 | | | | | | | | | | |
| AMPYTL- | 03A | 03V | 01 | 01 | 27 | 00 | O 22 | | | | | | | | | | |
| AMPYTL- | 03A | 03W | 01 | 01 | 27 | 00 | O 22 | | | | | | | | | | |
| AMPYTL- | 03A | 03X | 01 | 01 | 27 | 00 | O 22 | | | | | | | | | | |
| AMPYTL- | 03A | 03Y | 01 | 01 | 27 | 00 | O 22 | | | | | | | | | | |
| AMPYTL- | 03A | 03Z | 01 | 01 | 27 | 00 | O 22 | | | | | | | | | | |
| AMPYTL- | 03A | 04A | 01 | 01 | 27 | 00 | O 22 | | | | | | | | | | |
| AMPYTL- | 03A | 04B | 01 | 01 | 27 | 00 | O 22 | | | | | | | | | | |
| AMPYTL- | 03A | 04C | 01 | 01 | 27 | 00 | O 22 | | | | | | | | | | |
| AMPYTL- | 03A | 04D | 01 | 01 | 27 | 00 | O 22 | | | | | | | | | | |
| AMPYTL- | 03A | 04E | 01 | 01 | 27 | 00 | O 22 | | | | | | | | | | |
| AMPYTL- | 03A | 04F | 01 | 01 | 27 | 00 | O 22 | | | | | | | | | | |
| AMPYTL- | 03A | 04G | 01 | 01 | 27 | 00 | O 22 | | | | | | | | | | |
| AMPYTL- | 03A | 04H | 01 | 01 | 27 | 00 | O 22 | | | | | | | | | | |
| AMPYTL- | 03A | 04I | 01 | 01 | 27 | 00 | O 22 | | | | | | | | | | |
| AMPYTL- | 03A | 04J | 01 | 01 | 27 | 00 | O 22 | | | | | | | | | | |
| AMPYTL- | 03A | 04K | 01 | 01 | 27 | 00 | O 22 | | | | | | | | | | |
| AMPYTL- | 03A | 04L | 01 | 01 | 27 | 00 | O 22 | | | | | | | | | | |
| AMPYTL- | 03A | 04M | 01 | 01 | 27 | 00 | O 22 | | | | | | | | | | |
| AMPYTL- | 03A | 04N | 01 | 01 | 27 | 00 | O 22 | | | | | | | | | | |
| AMPYTL- | 03A | 04O | 01 | 01 | 27 | 00 | O 22 | | | | | | | | | | |
| AMPYTL- | 03A | 04P | 01 | 01 | 27 | 00 | O 22 | | | | | | | | | | |
| AMPYTL- | 03A | 04Q | 01 | 01 | 27 | 00 | O 22 | | | | | | | | | | |
| AMPYTL- | 03A | 04R | 01 | 01 | 27 | 00 | O 22 | | | | | | | | | | |
| AMPYTL- | 03A | 04S | 01 | 01 | 27 | 00 | O 22 | | | | | | | | | | |
| AMPYTL- | 03A | 04T | 01 | 01 | 27 | 00 | O 22 | | | | | | | | | | |
| AMPYTL- | 03A | 04U | 01 | 01 | 27 | 00 | O 22 | | | | | | | | | | |
| AMPYTL- | 03A | 04V | 01 | 01 | 27 | 00 | O 22 | | | | | | | | | | |
| AMPYTL- | 03A | 04W | 01 | 01 | 27 | 00 | O 22 | | | | | | | | | | |
| AMPYTL- | 03A | 04X | 01 | 01 | 27 | 00 | O 22 | | | | | | | | | | |
| AMPYTL- | 03A | 04Y | 01 | 01 | 27 | 00 | O 22 | | | | | | | | | | |
| AMPYTL- | 03A | 04Z | 01 | 01 | 27 | 00 | O 22 | | | | | | | | | | |
| AMPYTL- | 03A | 05A | 01 | 01 | 27 | 00 | O 22 | | | | | | | | | | |
| AMPYTL- | 03A | 05B | 01 | 01 | 27 | 00 | O 22 | | | | | | | | | | |
| AMPYTL- | 03A | 05C | 01 | 01 | 27 | 00 | O 22 | | | | | | | | | | |
| AMPYTL- | 03A | 05D | 01 | 01 | 27 | 00 | O 22 | | | | | | | | | | |
| AMPYTL- | 03A | 05E | 01 | 01 | 27 | 00 | O 22 | | | | | | | | | | |
| AMPYTL- | 03A | 05F | 01 | 01 | 27 | 00 | O 22 | | | | | | | | | | |
| AMPYTL- | 03A | 05G | 01 | 01 | 27 | 00 | O 22 | | | | | | | | | | |
| AMPYTL- | 03A | 05H | 01 | 01 | 27 | 00 | O 22 | | | | | | | | | | |
| AMPYTL- | 03A | 05I | 01 | 01 | 27 | 00 | O 22 | | | | | | | | | | |
| AMPYTL- | 03A | 05J | 01 | 01 | 27 | 00 | O 22 | | | | | | | | | | |
| AMPYTL- | 03A | 05K | 01 | 01 | 27 | 00 | O 22 | | | | | | | | | | |
| AMPYTL- | 03A | 05L | 01 | 01 | 27 | 00 | O 22 | | | | | | | | | | |
| AMPYTL- | 03A | 05M | 01 | 01</ | | | | | | | | | | | | | |

TOP DRAWING NUMBER REV DATE FILE NAME 5 PAGE
03000 R70030679-319 10-18-74 X13EPUXX 7 0028

CONVENED SIGNAL LIST
716 CENTRAL PROCESSOR

| SIGNAL NAME | FR | SSC | DDM | PP | LBD | DWG | P | LAST |
|-------------|-----|-----|-----|---------|-----|-----|----|------|
| HENHAU_H | 02A | 10A | 01 | 0123F05 | I | 22 | 22 | 22 |
| HENHAU_C | 02A | 10A | 01 | 0111G05 | I | 22 | 22 | 22 |
| HENHAU_D | 02A | 10A | 01 | 0110G05 | I | 22 | 22 | 22 |
| HENHAU_F | 02A | 10A | 01 | 0122G07 | I | 22 | 22 | 22 |
| HENHAU_R | 02A | 10A | 01 | 0122G07 | I | 22 | 22 | 22 |
| HENHAU_A | 02A | 10A | 01 | 0122G07 | I | 22 | 22 | 22 |
| HENHAU_B | 02A | 10A | 01 | 0122G07 | I | 22 | 22 | 22 |
| HENHAU_L | 02A | 10A | 01 | 0122G07 | I | 22 | 22 | 22 |

INDEX: HENHAU+H

TOP DRAWING NUMBER REV DATE FILE NAME 5 PAGE
03000 R70030679-319 10-18-74 X13EPUXX 7 0028

CONVENED SIGNAL LIST
716 CENTRAL PROCESSOR

| SIGNAL NAME | FR | SSC | DDM | PP | LBD | DWG | P | LAST |
|-------------|-----|-----|-----|---------|-----|-----|----|------|
| HBIT07+ | 02A | 10A | 01 | 0123F05 | I | 22 | 22 | 22 |
| HBIT08+ | 02A | 10A | 01 | 0123F05 | I | 22 | 22 | 22 |
| HBIT09+ | 02A | 10A | 01 | 0123F05 | I | 22 | 22 | 22 |
| HBIT10+ | 02A | 10A | 01 | 0123F05 | I | 22 | 22 | 22 |
| HBIT11+ | 02A | 10A | 01 | 0123F05 | I | 22 | 22 | 22 |
| HBIT12+ | 02A | 10A | 01 | 0123F05 | I | 22 | 22 | 22 |
| HBIT13+ | 02A | 10A | 01 | 0123F05 | I | 22 | 22 | 22 |
| HBIT14+ | 02A | 10A | 01 | 0123F05 | I | 22 | 22 | 22 |
| HBIT15+ | 02A | 10A | 01 | 0123F05 | I | 22 | 22 | 22 |

INDEX: HBIT07+

TOP DRAWING NUMBER REV DATE FILE NAME 5 PAGE
03000 R70030679-319 10-18-74 X13EPUXX 7 0029

CONVENED SIGNAL LIST
716 CENTRAL PROCESSOR

| SIGNAL NAME | FR | SSC | DDM | PP | LBD | DWG | P | LAST |
|-------------|-----|-----|-----|---------|-----|-----|----|------|
| HMAFCH+ | 02A | 10A | 01 | 0122G07 | I | 22 | 22 | 22 |
| HMASTO+ | 02A | 10A | 01 | 0122G07 | I | 22 | 22 | 22 |
| HMASTO- | 02A | 10A | 01 | 0122G07 | I | 22 | 22 | 22 |
| HMAFCH- | 02A | 10A | 01 | 0122G07 | I | 22 | 22 | 22 |

INDEX: HMAFCH+

TOP DRAWING NUMBER REV DATE FILE NAME 5 PAGE
03000 R70030679-319 10-18-74 X13EPUXX 7 0029

CONVENED SIGNAL LIST
716 CENTRAL PROCESSOR

| SIGNAL NAME | FR | SSC | DDM | PP | LBD | DWG | P | LAST |
|-------------|-----|-----|-----|---------|-----|-----|----|------|
| HUSPE4+ | 02A | 10A | 01 | 0122G07 | I | 22 | 22 | 22 |
| HUSPE1- | 02A | 10A | 01 | 0122G07 | I | 22 | 22 | 22 |
| HUSPE2+ | 02A | 10A | 01 | 0122G07 | I | 22 | 22 | 22 |
| HUSPE4- | 02A | 10A | 01 | 0122G07 | I | 22 | 22 | 22 |

INDEX: HUSPE15-

| CONDENSED SIGNAL LIST | | | | | | | | | | TDP DRAWING NUMBER | | | | | | | | | | REV DATE FILE NAME | | | | | | | | | | PAGE | | | | | | | | | |
|-----------------------|-----|-----|-----|-----|-----|-----|-----|------|-----|---------------------|-----|-----|-----|-----|-----|-----|-----|------|-----|--------------------|-----|-----|-----|-----|-----|-----|-----|------|-----|------|--|--|--|--|--|--|--|--|--|
| 716 CENTRAL PROCESSOR | | | | | | | | | | 03000 R70030679-319 | | | | | | | | | | 10-18-74 X13CPURX | | | | | | | | | | 0031 | | | | | | | | | |
| SIGNAL NAME | FR | SSC | DDM | PP | LBD | DWG | P | LAST | REV | SIGNAL NAME | FR | SSC | DDM | PP | LBD | DWG | P | LAST | REV | SIGNAL NAME | FR | SSC | DDM | PP | LBD | DWG | P | LAST | REV | | | | | | | | | | |
| HPULSE- | 03A | 03A | 04 | 01 | 118 | G03 | I | A1 | 22 | HSNS03- | 03A | 17G | 03 | 01 | 126 | G10 | I | E2 | 22 | IADD14- | 11A | 11B | 01 | 01 | 114 | F08 | I | E2 | 23 | | | | | | | | | | |
| ... | ... | ... | ... | ... | ... | ... | ... | ... | ... | ... | ... | ... | ... | ... | ... | ... | ... | ... | ... | ... | ... | ... | ... | ... | ... | ... | ... | ... | ... | | | | | | | | | | |
| HPULSE+ | 03A | 03A | 04 | 01 | 118 | G03 | I | A1 | 22 | HSNS04- | 03A | 20G | 02 | 01 | 126 | G11 | I | E2 | 22 | IADD15- | 05A | 07D | 08 | 01 | 134 | G10 | O | E2 | 23 | | | | | | | | | | |
| ... | ... | ... | ... | ... | ... | ... | ... | ... | ... | ... | ... | ... | ... | ... | ... | ... | ... | ... | ... | ... | ... | ... | ... | ... | ... | ... | ... | ... | ... | | | | | | | | | | |

| CONDENSED SIGNAL LIST | | | | | | | | | | TDP DRAWING NUMBER | | | | | | | | | | REV DATE FILE NAME | | | | | | | | | | PAGE | | | | | | | | | |
|-----------------------|-----|-----|-----|-----|-----|-----|-----|------|-----|---------------------|-----|-----|-----|-----|-----|-----|-----|------|-----|--------------------|-----|-----|-----|-----|-----|-----|-----|------|-----|------|--|--|--|--|--|--|--|--|--|
| 716 CENTRAL PROCESSOR | | | | | | | | | | 03000 R70030679-319 | | | | | | | | | | 10-18-74 X13CPURX | | | | | | | | | | 0031 | | | | | | | | | |
| SIGNAL NAME | FR | SSC | DDM | PP | LBD | DWG | P | LAST | REV | SIGNAL NAME | FR | SSC | DDM | PP | LBD | DWG | P | LAST | REV | SIGNAL NAME | FR | SSC | DDM | PP | LBD | DWG | P | LAST | REV | | | | | | | | | | |
| HMSTCL- | 03A | 03A | 04 | 01 | 118 | G03 | I | A1 | 22 | HMSTCL- | 03A | 17G | 03 | 01 | 126 | G10 | I | E2 | 22 | HMSTCL- | 11A | 11B | 01 | 01 | 114 | F08 | I | E2 | 23 | | | | | | | | | | |
| ... | ... | ... | ... | ... | ... | ... | ... | ... | ... | ... | ... | ... | ... | ... | ... | ... | ... | ... | ... | ... | ... | ... | ... | ... | ... | ... | ... | ... | | | | | | | | | | | |
| HMSTCL+ | 03A | 03A | 04 | 01 | 118 | G03 | I | A1 | 22 | HMSTCL+ | 03A | 20G | 02 | 01 | 126 | G11 | I | E2 | 22 | HMSTCL+ | 05A | 07D | 08 | 01 | 134 | G10 | O | E2 | 23 | | | | | | | | | | |
| ... | ... | ... | ... | ... | ... | ... | ... | ... | ... | ... | ... | ... | ... | ... | ... | ... | ... | ... | ... | ... | ... | ... | ... | ... | ... | ... | ... | ... | | | | | | | | | | | |

| CONDENSED SIGNAL LIST | | | | | | | | | | TDP DRAWING NUMBER | | | | | | | | | | REV DATE FILE NAME | | | | | | | | | | PAGE | | | | | | | | | |
|-----------------------|-----|-----|-----|-----|-----|-----|-----|------|-----|---------------------|-----|-----|-----|-----|-----|-----|-----|------|-----|--------------------|-----|-----|-----|-----|-----|-----|-----|------|-----|------|--|--|--|--|--|--|--|--|--|
| 716 CENTRAL PROCESSOR | | | | | | | | | | 03000 R70030679-319 | | | | | | | | | | 10-18-74 X13CPURX | | | | | | | | | | 0032 | | | | | | | | | |
| SIGNAL NAME | FR | SSC | DDM | PP | LBD | DWG | P | LAST | REV | SIGNAL NAME | FR | SSC | DDM | PP | LBD | DWG | P | LAST | REV | SIGNAL NAME | FR | SSC | DDM | PP | LBD | DWG | P | LAST | REV | | | | | | | | | | |
| IAREBK+ | 04A | 13F | 01 | 01 | 135 | E02 | I | A2 | 22 | IASH02C | 04A | 19C | 03 | 01 | 137 | E07 | I | A2 | 22 | IASH06- | 04A | 16C | 04 | 01 | 137 | D06 | O | A0 | 24 | | | | | | | | | | |
| ... | ... | ... | ... | ... | ... | ... | ... | ... | ... | ... | ... | ... | ... | ... | ... | ... | ... | ... | ... | ... | ... | ... | ... | ... | ... | ... | ... | ... | | | | | | | | | | | |
| IAREBK- | 04A | 13F | 01 | 01 | 135 | E02 | I | A2 | 22 | IASH02C | 04A | 19C | 03 | 01 | 137 | E07 | I | A2 | 22 | IASH06R | 04A | 15C | 02 | 01 | 137 | D06 | I | A2 | 24 | | | | | | | | | | |
| ... | ... | ... | ... | ... | ... | ... | ... | ... | ... | ... | ... | ... | ... | ... | ... | ... | ... | ... | ... | ... | ... | ... | ... | ... | ... | ... | ... | ... | | | | | | | | | | | |

| CONDENSED SIGNAL LIST | | | | | | | | | | TDP DRAWING NUMBER | | | | | | | | | | REV DATE FILE NAME | | | | | | | | | | PAGE | | | | | | | | | |
|-----------------------|-----|-----|-----|-----|-----|-----|-----|------|-----|---------------------|-----|-----|-----|-----|-----|-----|-----|------|-----|--------------------|-----|-----|-----|-----|-----|-----|-----|------|-----|------|--|--|--|--|--|--|--|--|--|
| 716 CENTRAL PROCESSOR | | | | | | | | | | 03000 R70030679-319 | | | | | | | | | | 10-18-74 X13CPURX | | | | | | | | | | 0032 | | | | | | | | | |
| SIGNAL NAME | FR | SSC | DDM | PP | LBD | DWG | P | LAST | REV | SIGNAL NAME | FR | SSC | DDM | PP | LBD | DWG | P | LAST | REV | SIGNAL NAME | FR | SSC | DDM | PP | LBD | DWG | P | LAST | REV | | | | | | | | | | |
| HPULSE+ | 03A | 03A | 04 | 01 | 118 | G03 | I | A1 | 22 | HPULSE+ | 03A | 17G | 03 | 01 | 126 | G10 | I | E2 | 22 | HPULSE+ | 11A | 11B | 01 | 01 | 114 | F08 | I | E2 | 23 | | | | | | | | | | |
| ... | ... | ... | ... | ... | ... | ... | ... | ... | ... | ... | ... | ... | ... | ... | ... | ... | ... | ... | ... | ... | ... | ... | ... | ... | ... | ... | ... | ... | | | | | | | | | | | |
| HPULSE- | 03A | 03A | 04 | 01 | 118 | G03 | I | A1 | 22 | HPULSE- | 03A | 20G | 02 | 01 | 126 | G11 | I | E2 | 22 | HPULSE- | 05A | 07D | 08 | 01 | 134 | G10 | O | E2 | 23 | | | | | | | | | | |
| ... | ... | ... | ... | ... | ... | ... | ... | ... | ... | ... | ... | ... | ... | ... | ... | ... | ... | ... | ... | ... | ... | ... | ... | ... | ... | ... | ... | ... | | | | | | | | | | | |

CONDENSED SIGNAL LIST
716 CENTRAL PROCESSOR

TDP DRAWING NUMBER REV DATE FILE NAME 5 PAGE
03000 K70030679-319 10-18-74 X13CPUXX 7 0037

Table with columns: SIGNAL NAME, FR, SSC, DDM, PP, LBD, DWG, P, LAST, REV. Rows include signals like IOTIM1, IOTIM2, IOTIM3, etc., with associated drawing and revision data.

DOCUMENT CONTINUED

INDEX: IOTIM1

CONDENSED SIGNAL LIST
716 CENTRAL PROCESSOR

TDP DRAWING NUMBER REV DATE FILE NAME 5 PAGE
03000 K70030679-319 10-18-74 X13CPUXX 7 0038

Table with columns: SIGNAL NAME, FR, SSC, DDM, PP, LBD, DWG, P, LAST, REV. Rows include signals like IFSTRB, IFSTRC, IFSTRD, etc., with associated drawing and revision data.

DOCUMENT CONTINUED

INDEX: IFITCY-

CONDENSED SIGNAL LIST
716 CENTRAL PROCESSOR

TDP DRAWING NUMBER REV DATE FILE NAME 5 PAGE
03000 K70030679-319 10-18-74 X13CPUXX 7 0039

Table with columns: SIGNAL NAME, FR, SSC, DDM, PP, LBD, DWG, P, LAST, REV. Rows include signals like KEY-7, KEY-8, KINB16, etc., with associated drawing and revision data.

DOCUMENT CONTINUED

INDEX: KEY-7

CONDENSED SIGNAL LIST
716 CENTRAL PROCESSOR

TDP DRAWING NUMBER REV DATE FILE NAME 5 PAGE
03000 K70030679-319 10-18-74 X13CPUXX 7 0040

Table with columns: SIGNAL NAME, FR, SSC, DDM, PP, LBD, DWG, P, LAST, REV. Rows include signals like IISTIB, IINHALL, IINHALLC, etc., with associated drawing and revision data.

DOCUMENT CONTINUED

INDEX: IISTIB-

| CONDENSED SIGNAL LIST 716 CENTRAL PROCESSOR | | | | | | | | | | | | TOP DRAWING NUMBER 03000 K70030679-319 | | REV 10-18-74 | FILE NAME K13CPURX | PAGE 0045 | |
|--|-----|-----|-----|------|------|-----|-----|------|-------------|-----|-----|---|------|-----------------|-----------------------|--------------|------|
| SIGNAL NAME | FR | SSC | DDM | PP | LBD | DWG | P | LAST | SIGNAL NAME | FR | SSC | DDM | PP | LBD | DWG | P | LAST |
| LRMIN1A | 0A | 07G | 06 | 05 | 0110 | 080 | I | 22 | LRMIN4 | 0A | 10C | 07 | 0128 | F07 | D | 22 | |
| ... | ... | ... | ... | ... | ... | ... | ... | ... | ... | ... | ... | ... | ... | ... | ... | ... | ... |
| LRMIN2 | 0A | 12G | 06 | 0128 | F06 | D | 22 | ... | ... | ... | ... | ... | ... | ... | ... | ... | ... |
| ... | ... | ... | ... | ... | ... | ... | ... | ... | ... | ... | ... | ... | ... | ... | ... | ... | ... |
| LRMIN4 | 0A | 11G | 07 | 0128 | F07 | D | 22 | ... | ... | ... | ... | ... | ... | ... | ... | ... | ... |

PAGE 0040

DOCUMENT CONTINUED

INDEX: LRMIN1A

| CONDENSED SIGNAL LIST 716 CENTRAL PROCESSOR | | | | | | | | | | | | TOP DRAWING NUMBER 03000 K70030679-319 | | REV 10-18-74 | FILE NAME K13CPURX | PAGE 0045 | |
|--|-----|-----|-----|------|-----|-----|-----|----------|-------------|-----|-----|---|-----|-----------------|-----------------------|--------------|------|
| SIGNAL NAME | FR | SSC | DDM | PP | LBD | DWG | P | LAST | SIGNAL NAME | FR | SSC | DDM | PP | LBD | DWG | P | LAST |
| KOTB16 | 0A | 01G | 04 | 0148 | C04 | D | 22 | LAUCD3-A | 0A | 05E | 03 | 0117 | F03 | I | A2 | | |
| ... | ... | ... | ... | ... | ... | ... | ... | ... | ... | ... | ... | ... | ... | ... | ... | ... | ... |
| LAUC00-A | 0A | 03A | 06 | 0117 | F04 | I | A1 | ... | ... | ... | ... | ... | ... | ... | ... | ... | ... |
| LAUC00-C | 0A | 01D | 05 | 0117 | F03 | I | A1 | ... | ... | ... | ... | ... | ... | ... | ... | ... | ... |
| LAUC01 | 0A | 01D | 07 | 0117 | F03 | I | A1 | ... | ... | ... | ... | ... | ... | ... | ... | ... | ... |
| LAUC02 | 0A | 09E | 09 | 0117 | F03 | I | A1 | ... | ... | ... | ... | ... | ... | ... | ... | ... | ... |
| LDSCTR | 0A | 19E | 08 | 0125 | F07 | I | A2 | ... | ... | ... | ... | ... | ... | ... | ... | ... | ... |
| LRAIN1 | 0A | 01C | 07 | 0122 | F01 | I | A2 | ... | ... | ... | ... | ... | ... | ... | ... | ... | ... |

PAGE 0038

DOCUMENT CONTINUED

INDEX: KOTB16

| CONDENSED SIGNAL LIST 716 CENTRAL PROCESSOR | | | | | | | | | | | | TOP DRAWING NUMBER 03000 K70030679-319 | | REV 10-18-74 | FILE NAME K13CPURX | PAGE 0041 | |
|--|-----|-----|-----|------|-----|-----|-----|----------|-------------|-----|-----|---|-----|-----------------|-----------------------|--------------|------|
| SIGNAL NAME | FR | SSC | DDM | PP | LBD | DWG | P | LAST | SIGNAL NAME | FR | SSC | DDM | PP | LBD | DWG | P | LAST |
| M64KRF | 0A | 19G | 07 | 0129 | F03 | O | C0 | MADD04- | 0A | 22G | 02 | 0130 | B08 | I | C0 | | |
| ... | ... | ... | ... | ... | ... | ... | ... | ... | ... | ... | ... | ... | ... | ... | ... | ... | ... |
| MADD01- | 0A | 07A | 07 | 0101 | F08 | O | K2 | MADD04X | 0A | 12B | 00 | 0104 | F10 | O | A2 | | |
| ... | ... | ... | ... | ... | ... | ... | ... | ... | ... | ... | ... | ... | ... | ... | ... | ... | ... |
| MADD02-X | 0A | 01B | 04 | 0102 | F09 | N | 22 | MADD05+Y | 0A | 02A | 06 | 0105 | F10 | D | 22 | | |
| MADD02-Y | 0A | 04B | 03 | 0102 | F10 | O | 22 | MADD05- | 0A | 03A | 03 | 0105 | F08 | I | 22 | | |
| MADD02-Z | 0A | 01B | 07 | 0102 | F08 | O | 22 | MADD05-A | 0A | 14G | 02 | 0130 | B03 | I | C2 | | |
| ... | ... | ... | ... | ... | ... | ... | ... | ... | ... | ... | ... | ... | ... | ... | ... | ... | ... |
| MADD02X | 0A | 04B | 00 | 0102 | F10 | O | A2 | MADD05+X | 0A | 09A | 03 | 0105 | F08 | I | 22 | | |
| MADD03-X | 0A | 09B | 04 | 0103 | F09 | O | 22 | MADD05X | 0A | 02A | 00 | 0105 | F10 | O | C2 | | |
| MADD03-Y | 0A | 08B | 06 | 0103 | F10 | O | 22 | MADD06+X | 0A | 05A | 07 | 0106 | F10 | O | 22 | | |
| MADD03-Z | 0A | 06A | 03 | 0103 | F08 | I | 22 | MADD06-Y | 0A | 06A | 06 | 0106 | F10 | O | 22 | | |
| ... | ... | ... | ... | ... | ... | ... | ... | ... | ... | ... | ... | ... | ... | ... | ... | ... | ... |
| MADD03X | 0A | 08B | 00 | 0103 | F10 | O | A2 | MADD06-A | 0A | 13G | 03 | 0130 | B03 | I | C2 | | |
| MADD04-X | 0A | 09B | 04 | 0104 | F09 | N | 22 | MADD06+Y | 0A | 07A | 07 | 0106 | F08 | O | 22 | | |
| MADD04-Y | 0A | 11B | 07 | 0104 | F10 | O | 22 | MADD06- | 0A | 07A | 07 | 0106 | F08 | O | 22 | | |
| MADD04-Z | 0A | 09B | 03 | 0104 | F09 | N | 22 | ... | ... | ... | ... | ... | ... | ... | ... | ... | ... |
| ... | ... | ... | ... | ... | ... | ... | ... | ... | ... | ... | ... | ... | ... | ... | ... | ... | ... |
| MADD04X | 0A | 09B | 03 | 0104 | F09 | N | 22 | MADD07-X | 0A | 15A | 07 | 0107 | F10 | O | 22 | | |
| MADD05-X | 0A | 09B | 06 | 0105 | F08 | I | 22 | MADD07+Y | 0A | 16A | 06 | 0107 | F10 | O | C2 | | |
| MADD05-Y | 0A | 09B | 03 | 0105 | F09 | N | 22 | ... | ... | ... | ... | ... | ... | ... | ... | ... | ... |
| MADD05-Z | 0A | 09B | 03 | 0105 | F09 | N | 22 | ... | ... | ... | ... | ... | ... | ... | ... | ... | ... |
| ... | ... | ... | ... | ... | ... | ... | ... | ... | ... | ... | ... | ... | ... | ... | ... | ... | ... |
| MADD05X | 0A | 09B | 03 | 0105 | F09 | N | 22 | MADD07 | 0A | 17A | 04 | 0107 | F08 | O | 22 | | |
| MADD06-X | 0A | 09B | 06 | 0106 | F08 | I | 22 | ... | ... | ... | ... | ... | ... | ... | ... | ... | ... |
| MADD06-Y | 0A | 09B | 03 | 0106 | F09 | N | 22 | ... | ... | ... | ... | ... | ... | ... | ... | ... | ... |
| MADD06-Z | 0A | 09B | 03 | 0106 | F09 | N | 22 | ... | ... | ... | ... | ... | ... | ... | ... | ... | ... |
| ... | ... | ... | ... | ... | ... | ... | ... | ... | ... | ... | ... | ... | ... | ... | ... | ... | ... |
| MADD06X | 0A | 09B | 03 | 0106 | F09 | N | 22 | MADD09 | 0A | 18A | 02 | 0108 | F10 | O | 22 | | |
| MADD07-X | 0A | 09B | 06 | 0107 | F08 | I | 22 | ... | ... | ... | ... | ... | ... | ... | ... | ... | ... |
| MADD07+Y | 0A | 09B | 03 | 0107 | F09 | N | 22 | ... | ... | ... | ... | ... | ... | ... | ... | ... | ... |

PAGE 0041

DOCUMENT CONTINUED

INDEX: M64KRF

| CONDENSED SIGNAL LIST 716 CENTRAL PROCESSOR | | | | | | | | | | | | TOP DRAWING NUMBER 03000 K70030679-319 | | REV 10-18-74 | FILE NAME K13CPURX | PAGE 0041 | |
|--|-----|-----|-----|------|-----|-----|-----|--------|-------------|-----|-----|---|-----|-----------------|-----------------------|--------------|------|
| SIGNAL NAME | FR | SSC | DDM | PP | LBD | DWG | P | LAST | SIGNAL NAME | FR | SSC | DDM | PP | LBD | DWG | P | LAST |
| LRAIN4 | 0A | 01E | 07 | 0122 | F05 | O | 22 | LRATE1 | 0A | 10C | 03 | 0122 | G08 | D | 22 | | |
| ... | ... | ... | ... | ... | ... | ... | ... | ... | ... | ... | ... | ... | ... | ... | ... | ... | ... |
| LRAIN4-A | 0A | 19D | 08 | 0109 | F01 | I | A3 | LRATEH | 0A | 10C | 06 | 0122 | G10 | O | 22 | | |
| ... | ... | ... | ... | ... | ... | ... | ... | ... | ... | ... | ... | ... | ... | ... | ... | ... | ... |
| LRAIN4 | 0A | 19E | 07 | 0109 | F01 | I | A3 | LRATEL | 0A | 14A | 03 | 0122 | G11 | O | 22 | | |
| ... | ... | ... | ... | ... | ... | ... | ... | ... | ... | ... | ... | ... | ... | ... | ... | ... | ... |
| LRAIN4-A | 0A | 19D | 08 | 0109 | F01 | I | A3 | LRATEL | 0A | 14A | 03 | 0122 | G11 | O | 22 | | |
| ... | ... | ... | ... | ... | ... | ... | ... | ... | ... | ... | ... | ... | ... | ... | ... | ... | ... |
| LRAIN4 | 0A | 19E | 07 | 0109 | F01 | I | A3 | LRATEL | 0A | 14A | 03 | 0122 | G11 | O | 22 | | |
| ... | ... | ... | ... | ... | ... | ... | ... | ... | ... | ... | ... | ... | ... | ... | ... | ... | ... |
| LRAIN4-A | 0A | 19D | 08 | 0109 | F01 | I | A3 | LRATEL | 0A | 14A | 03 | 0122 | G11 | O | 22 | | |
| ... | ... | ... | ... | ... | ... | ... | ... | ... | ... | ... | ... | ... | ... | ... | ... | ... | ... |
| LRAIN4 | 0A | 19E | 07 | 0109 | F01 | I | A3 | LRATEL | 0A | 14A | 03 | 0122 | G11 | O | 22 | | |
| ... | ... | ... | ... | ... | ... | ... | ... | ... | ... | ... | ... | ... | ... | ... | ... | ... | ... |
| LRAIN4-A | 0A | 19D | 08 | 0109 | F01 | I | A3 | LRATEL | 0A | 14A | 03 | 0122 | G11 | O | 22 | | |
| ... | ... | ... | ... | ... | ... | ... | ... | ... | ... | ... | ... | ... | ... | ... | ... | ... | ... |
| LRAIN4 | 0A | 19E | 07 | 0109 | F01 | I | A3 | LRATEL | 0A | 14A | 03 | 0122 | G11 | O | 22 | | |
| ... | ... | ... | ... | ... | ... | ... | ... | ... | ... | ... | ... | ... | ... | ... | ... | ... | ... |
| LRAIN4-A | 0A | 19D | 08 | 0109 | F01 | I | A3 | LRATEL | 0A | 14A | 03 | 0122 | G11 | O | 22 | | |
| ... | ... | ... | ... | ... | ... | ... | ... | ... | ... | ... | ... | ... | ... | ... | ... | ... | ... |
| LRAIN4 | 0A | 19E | 07 | 0109 | F01 | I | A3 | LRATEL | 0A | 14A | 03 | 0122 | G11 | O | 22 | | |
| ... | ... | ... | ... | ... | ... | ... | ... | ... | ... | ... | ... | ... | ... | ... | ... | ... | ... |
| LRAIN4-A | 0A | 19D | 08 | 0109 | F01 | I | A3 | LRATEL | 0A | 14A | 03 | 0122 | G11 | O | 22 | | |
| ... | ... | ... | ... | ... | ... | ... | ... | ... | ... | ... | ... | ... | ... | ... | ... | ... | ... |
| LRAIN4 | 0A | 19E | 07 | 0109 | F01 | I | A3 | LRATEL | 0A | 14A | 03 | 0122 | G11 | O | 22 | | |
| ... | ... | ... | ... | ... | ... | ... | ... | ... | ... | ... | ... | ... | ... | ... | ... | ... | ... |
| LRAIN4-A | 0A | 19D | 08 | 0109 | F01 | I | A3 | LRATEL | 0A | 14A | 03 | 0122 | G11 | O | 22 | | |
| ... | ... | ... | ... | ... | ... | ... | ... | ... | ... | ... | ... | ... | ... | ... | ... | ... | ... |
| LRAIN4 | 0A | 19E | 07 | 0109 | F01 | I | A3 | LRATEL | 0A | 14A | 03 | 0122 | G11 | O | 22 | | |
| ... | ... | ... | ... | ... | ... | ... | ... | ... | ... | ... | ... | ... | ... | ... | ... | ... | ... |
| LRAIN4-A | 0A | 19D | 08 | 0109 | F01 | I | A3 | LRATEL | 0A | 14A | 03 | 0122 | G11 | O | 22 | | |
| ... | ... | ... | ... | ... | ... | ... | ... | ... | ... | ... | ... | ... | ... | ... | ... | ... | ... |
| LRAIN4 | 0A | 19E | 07 | 0109 | F01 | I | A3 | LRATEL | 0A | 14A | 03 | 0122 | G11 | O | 22 | | |
| ... | ... | ... | ... | ... | ... | ... | ... | ... | ... | ... | ... | ... | ... | ... | ... | ... | ... |
| LRAIN4-A | 0A | 19D | 08 | 0109 | F01 | I | A3 | LRATEL | 0A | 14A | 03 | 0122 | G11 | O | 22 | | |
| ... | ... | ... | ... | ... | ... | ... | ... | ... | ... | ... | ... | ... | ... | ... | ... | ... | ... |
| LRAIN4 | 0A | 19E | 07 | 0109 | F01 | I | | | | | | | | | | | |

| CONDENSED SIGNAL LIST 716 CENTRAL PROCESSOR | | | | TOP DRAWING NUMBER 03000 K70030679-319 | | | | REV | DATE | FILE NAME | PAGE | | | | | | | | | | | | | | | | | | | | | | | | | | | | |
|--|-----|-----|-----|---|-----|-----|----|--------|-------------|-----------|------|--------|----|-----|-----|--------|------|-------------|----|--------|-----|----|-----|----------|-----|------|----|--------|---|---|----|----------|-----|-----|----|--------|---|---|----|
| CONDENSED SIGNAL LIST 716 CENTRAL PROCESSOR | | | | TOP DRAWING NUMBER 03000 K70030679-319 | | | | REV | DATE | FILE NAME | PAGE | | | | | | | | | | | | | | | | | | | | | | | | | | | | |
| SIGNAL NAME | FR | SSC | DDM | PP | LBD | DWS | P | LAST | SIGNAL NAME | FR | SSC | DDM | PP | LBD | DWS | P | LAST | SIGNAL NAME | FR | SSC | DDM | PP | LBD | DWS | P | LAST | | | | | | | | | | | | | |
| DPGNA | 01A | 07A | 02 | 012200 | 0 | I | 22 | DPGI/O | 03A | 02F | 05 | 0119D0 | 0 | I | 22 | DPGM/D | 01A | 1A | 02 | 012200 | 0 | I | 22 | DPGNEG | 02A | 02B | 05 | 0117C0 | 0 | I | 22 | DPGSHF | 03A | 08B | 02 | 0123E0 | 0 | I | 22 |
| DPGNA+A | 01A | 07A | 02 | 0117B1 | 0 | I | 22 | DPGJ/J | 04A | 10A | 06 | 0120E0 | 0 | I | 22 | DPGLCI | 06A | 03A | 02 | 0118D0 | 0 | I | 22 | DPGSHF.A | 03A | 08B | 02 | 0123E0 | 0 | I | 22 | DPGLCI.M | 04A | 04A | 07 | 0126F0 | 0 | I | 22 |
| DPGNA | 01A | 07A | 02 | 0126B1 | 0 | I | 22 | DPGLGA | 02A | 01B | 05 | 0127B1 | 0 | I | 22 | DPGMAU | 02A | 02B | 02 | 0127F0 | 0 | I | 22 | DPGSKP | 03A | 06A | 05 | 0124F0 | 0 | I | 22 | DPGM/D | 01A | 18A | 05 | 0120E0 | 0 | I | 22 |
| DPGNA | 01A | 07A | 02 | 0126B0 | 0 | I | 22 | DPGMAU | 03A | 06C | 05 | 0122E0 | 0 | I | 22 | DPGMAU | 03A | 06C | 05 | 0122E0 | 0 | I | 22 | DPGMAU | 03A | 06C | 05 | 0122E0 | 0 | I | 22 | DPGMAU | 03A | 06C | 05 | 0122E0 | 0 | I | 22 |
| DPGNA | 01A | 07A | 02 | 0126B0 | 0 | I | 22 | DPGMAU | 03A | 06C | 05 | 0122E0 | 0 | I | 22 | DPGMAU | 03A | 06C | 05 | 0122E0 | 0 | I | 22 | DPGMAU | 03A | 06C | 05 | 0122E0 | 0 | I | 22 | DPGMAU | 03A | 06C | 05 | 0122E0 | 0 | I | 22 |
| DPGNA | 01A | 07A | 02 | 0126B0 | 0 | I | 22 | DPGMAU | 03A | 06C | 05 | 0122E0 | 0 | I | 22 | DPGMAU | 03A | 06C | 05 | 0122E0 | 0 | I | 22 | DPGMAU | 03A | 06C | 05 | 0122E0 | 0 | I | 22 | DPGMAU | 03A | 06C | 05 | 0122E0 | 0 | I | 22 |
| DPGNA | 01A | 07A | 02 | 0126B0 | 0 | I | 22 | DPGMAU | 03A | 06C | 05 | 0122E0 | 0 | I | 22 | DPGMAU | 03A | 06C | 05 | 0122E0 | 0 | I | 22 | DPGMAU | 03A | 06C | 05 | 0122E0 | 0 | I | 22 | DPGMAU | 03A | 06C | 05 | 0122E0 | 0 | I | 22 |
| DPGNA | 01A | 07A | 02 | 0126B0 | 0 | I | 22 | DPGMAU | 03A | 06C | 05 | 0122E0 | 0 | I | 22 | DPGMAU | 03A | 06C | 05 | 0122E0 | 0 | I | 22 | DPGMAU | 03A | 06C | 05 | 0122E0 | 0 | I | 22 | DPGMAU | 03A | 06C | 05 | 0122E0 | 0 | I | 22 |
| DPGNA | 01A | 07A | 02 | 0126B0 | 0 | I | 22 | DPGMAU | 03A | 06C | 05 | 0122E0 | 0 | I | 22 | DPGMAU | 03A | 06C | 05 | 0122E0 | 0 | I | 22 | DPGMAU | 03A | 06C | 05 | 0122E0 | 0 | I | 22 | DPGMAU | 03A | 06C | 05 | 0122E0 | 0 | I | 22 |
| DPGNA | 01A | 07A | 02 | 0126B0 | 0 | I | 22 | DPGMAU | 03A | 06C | 05 | 0122E0 | 0 | I | 22 | DPGMAU | 03A | 06C | 05 | 0122E0 | 0 | I | 22 | DPGMAU | 03A | 06C | 05 | 0122E0 | 0 | I | 22 | DPGMAU | 03A | 06C | 05 | 0122E0 | 0 | I | 22 |
| DPGNA | 01A | 07A | 02 | 0126B0 | 0 | I | 22 | DPGMAU | 03A | 06C | 05 | 0122E0 | 0 | I | 22 | DPGMAU | 03A | 06C | 05 | 0122E0 | 0 | I | 22 | DPGMAU | 03A | 06C | 05 | 0122E0 | 0 | I | 22 | DPGMAU | 03A | 06C | 05 | 0122E0 | 0 | I | 22 |
| DPGNA | 01A | 07A | 02 | 0126B0 | 0 | I | 22 | DPGMAU | 03A | 06C | 05 | 0122E0 | 0 | I | 22 | DPGMAU | 03A | 06C | 05 | 0122E0 | 0 | I | 22 | DPGMAU | 03A | 06C | 05 | 0122E0 | 0 | I | 22 | DPGMAU | 03A | 06C | 05 | 0122E0 | 0 | I | 22 |
| DPGNA | 01A | 07A | 02 | 0126B0 | 0 | I | 22 | DPGMAU | 03A | 06C | 05 | 0122E0 | 0 | I | 22 | DPGMAU | 03A | 06C | 05 | 0122E0 | 0 | I | 22 | DPGMAU | 03A | 06C | 05 | 0122E0 | 0 | I | 22 | DPGMAU | 03A | 06C | 05 | 0122E0 | 0 | I | 22 |

PAGE 0048

DOCUMENT CONTINUED

INDEX: DPGNA

| CONDENSED SIGNAL LIST 716 CENTRAL PROCESSOR | | | | TOP DRAWING NUMBER 03000 K70030679-319 | | | | REV | DATE | FILE NAME | PAGE | | | | | | | | | | | | | | | | | | | | | | | | | | | |
|--|-----|-----|--------|---|-----|-----|--------|------|-------------|-----------|--------|-----|----|--------|----------|-----|------|-------------|--------|-----|-----|--------|----------|-----|-----|--------|--------|---|----|--------|--------|-----|-----|--------|--------|---|----|----|
| CONDENSED SIGNAL LIST 716 CENTRAL PROCESSOR | | | | TOP DRAWING NUMBER 03000 K70030679-319 | | | | REV | DATE | FILE NAME | PAGE | | | | | | | | | | | | | | | | | | | | | | | | | | | |
| SIGNAL NAME | FR | SSC | DDM | PP | LBD | DWS | P | LAST | SIGNAL NAME | FR | SSC | DDM | PP | LBD | DWS | P | LAST | SIGNAL NAME | FR | SSC | DDM | PP | LBD | DWS | P | LAST | | | | | | | | | | | | |
| MD12B5 | 17A | 04 | 011200 | 0 | I | 22 | MD15B5 | 14A | 50 | 0053A0 | 0 | I | 22 | MENBL6 | 06A | 07A | 10 | 0150G0 | 0 | I | 22 | MENBL7 | 06A | 07A | 09 | 0150G0 | 0 | I | 22 | MENBL8 | 06A | 07A | 08 | 0150G0 | 0 | I | 22 | |
| MD13B5 | 17A | 04 | 011300 | 0 | I | 22 | MD16B5 | 11A | 19A | 04 | 0114D0 | 0 | I | 22 | MENBL9 | 06A | 07A | 07 | 0150G0 | 0 | I | 22 | MENBLA | 06A | 07A | 06 | 0150G0 | 0 | I | 22 | MENBLB | 06A | 07A | 05 | 0150G0 | 0 | I | 22 |
| MD14B5 | 17A | 04 | 011400 | 0 | I | 22 | MD17B5 | 11A | 19A | 04 | 011500 | 0 | I | 22 | MENBLC | 06A | 07A | 04 | 0150G0 | 0 | I | 22 | MENBLD | 06A | 07A | 03 | 0150G0 | 0 | I | 22 | MENBLE | 06A | 07A | 02 | 0150G0 | 0 | I | 22 |
| MD15B5 | 17A | 04 | 011500 | 0 | I | 22 | MD18B5 | 11A | 19A | 04 | 011600 | 0 | I | 22 | MENBLF | 06A | 07A | 01 | 0150G0 | 0 | I | 22 | MENBLX | 06A | 07A | 53 | 0051G0 | 0 | I | 22 | MHDSHK | 04A | 13C | 07 | 0137F0 | 0 | I | 22 |
| MD16B5 | 17A | 04 | 011600 | 0 | I | 22 | MD19B5 | 11A | 19A | 04 | 011700 | 0 | I | 22 | MHDSHK.I | 04A | 13A | 03 | 0137E0 | 0 | I | 22 | MHDSHK.X | 04A | 12E | 03 | 0135G1 | 0 | I | 22 | MHDSHK | 04A | 10F | 01 | 0150G0 | 0 | I | 22 |
| MD17B5 | 17A | 04 | 011700 | 0 | I | 22 | MD20B5 | 11A | 19A | 04 | 011800 | 0 | I | 22 | MHDSHK | 04A | 12B | 05 | 0150E1 | 0 | I | 22 | MHDSHK | 04A | 12G | 04 | 0118E1 | 0 | I | 22 | MHDSHK | 04A | 12F | 03 | 0150F1 | 0 | I | 22 |
| MD18B5 | 17A | 04 | 011800 | 0 | I | 22 | MD21B5 | 11A | 19A | 04 | 011900 | 0 | I | 22 | MHDSHK | 04A | 12A | 04 | 0150E0 | 0 | I | 22 | MHDSHK | 04A | 12E | 02 | 0150G0 | 0 | I | 22 | MHDSHK | 04A | 12D | 01 | 0150G0 | 0 | I | 22 |
| MD19B5 | 17A | 04 | 011900 | 0 | I | 22 | MD22B5 | 11A | 19A | 04 | 012000 | 0 | I | 22 | MHDSHK | 04A | 12C | 03 | 0150E0 | 0 | I | 22 | MHDSHK | 04A | 12D | 02 | 0150G0 | 0 | I | 22 | MHDSHK | 04A | 12E | 01 | 0150G0 | 0 | I | 22 |
| MD20B5 | 17A | 04 | 012000 | 0 | I | 22 | MD23B5 | 11A | 19A | 04 | 012100 | 0 | I | 22 | MHDSHK | 04A | 12B | 02 | 0150E0 | 0 | I | 22 | MHDSHK | 04A | 12D | 01 | 0150G0 | 0 | I | 22 | MHDSHK | 04A | 12E | 00 | 0150G0 | 0 | I | 22 |
| MD21B5 | 17A | 04 | 012100 | 0 | I | 22 | MD24B5 | 11A | 19A | 04 | 012200 | 0 | I | 22 | MHDSHK | 04A | 12A | 01 | 0150E0 | 0 | I | 22 | MHDSHK | 04A | 12C | 00 | 0150G0 | 0 | I | 22 | MHDSHK | 04A | 12D | 00 | 0150G0 | 0 | I | 22 |
| MD22B5 | 17A | 04 | 012200 | 0 | I | 22 | MD25B5 | 11A | 19A | 04 | 012300 | 0 | I | 22 | MHDSHK | 04A | 12A | 00 | 0150E0 | 0 | I | 22 | MHDSHK | 04A | 12B | 00 | 0150G0 | 0 | I | 22 | MHDSHK | 04A | 12C | 00 | 0150G0 | 0 | I | 22 |
| MD23B5 | 17A | 04 | 012300 | 0 | I | 22 | MD26B5 | 11A | 19A | 04 | 012400 | 0 | I | 22 | MHDSHK | 04A | 12A | 00 | 0150E0 | 0 | I | 22 | MHDSHK | 04A | 12B | 00 | 0150G0 | 0 | I | 22 | MHDSHK | 04A | 12C | 00 | 0150G0 | 0 | I | 22 |
| MD24B5 | 17A | 04 | 012400 | 0 | I | 22 | MD27B5 | 11A | 19A | 04 | 012500 | 0 | I | 22 | MHDSHK | 04A | 12A | 00 | 0150E0 | 0 | I | 22 | MHDSHK | 04A | 12B | 00 | 0150G0 | 0 | I | 22 | MHDSHK | 04A | 12C | 00 | 0150G0 | 0 | I | 22 |
| MD25B5 | 17A | 04 | 012500 | 0 | I | 22 | MD28B5 | 11A | 19A | 04 | 012600 | 0 | I | 22 | MHDSHK | 04A | 12A | 00 | 0150E0 | 0 | I | 22 | MHDSHK | 04A | 12B | 00 | 0150G0 | 0 | I | 22 | MHDSHK | 04A | 12C | 00 | 0150G0 | 0 | I | 22 |
| MD26B5 | 17A | 04 | 012600 | 0 | I | 22 | MD29B5 | 11A | 19A | 04 | 012700 | 0 | I | 22 | MHDSHK | 04A | 12A | 00 | 0150E0 | 0 | I | 22 | MHDSHK | 04A | 12B | 00 | 0150G0 | 0 | I | 22 | MHDSHK | 04A | 12C | 00 | 0150G0 | 0 | I | 22 |
| MD27B5 | 17A | 04 | 012700 | 0 | I | 22 | MD30B5 | 11A | 19A | 04 | 012800 | 0 | I | 22 | MHDSHK | 04A | 12A | 00 | 0150E0 | 0 | I | 22 | MHDSHK | 04A | 12B | 00 | 0150G0 | 0 | I | 22 | MHDSHK | 04A | 12C | 00 | 0150G0 | 0 | I | 22 |
| MD28B5 | 17A | 04 | 012800 | 0 | I | 22 | MD31B5 | 11A | 19A | 04 | 012900 | 0 | I | 22 | MHDSHK | 04A | 12A | 00 | 0150E0 | 0 | I | 22 | MHDSHK | 04A | 12B | 00 | 0150G0 | 0 | I | 22 | MHDSHK | 04A | 12C | 00 | 0150G0 | 0 | I | 22 |
| MD29B5 | 17A | 04 | 012900 | 0 | I | 22 | MD32B5 | 11A | 19A | 04 | 013000 | 0 | I | 22 | MHDSHK | 04A | 12A | 00 | 0150E0 | 0 | I | 22 | MHDSHK | 04A | 12B | 00 | 0150G0 | 0 | I | 22 | MHDSHK | 04A | 12C | 00 | 0150G0 | 0 | I | 22 |
| MD30B5 | 17A | 04 | 013000 | 0 | I | 22 | MD33B5 | 11A | 19A | 04 | 013100 | 0 | I | 22 | MHDSHK | 04A | 12A | 00 | 0150E0 | 0 | I | 22 | MHDSHK | 04A | 12B | 00 | 0150G0 | 0 | I | 22 | MHDSHK | 04A | 12C | 00 | 0150G0 | 0 | I | 22 |
| MD31B5 | 17A | 04 | 013100 | 0 | I | 22 | MD34B5 | 11A | 19A | 04 | 013200 | 0 | I | 22 | MHDSHK | 04A | 12A | 00 | 0150E0 | 0 | I | 22 | MHDSHK | 04A | 12B | 00 | 0150G0 | 0 | I | 22 | MHDSHK | 04A | 12C | 00 | 0150G0 | 0 | I | 22 |

| CONDENSED SIGNAL LIST | | | | | TOP DRAWING NUMBER | | | | | REV DATE FILE NAME | | | | | PAGE | | |
|-----------------------|----|-----|-----|---------|---------------------|-----|-----|------|-------------|---------------------|-----|-----|----|---------|---------|-----|------|
| 716 CENTRAL PROCESSOR | | | | | 03000 K70030679-319 | | | | | M 10-18-74 X13CPUXX | | | | | 5 0051A | | |
| SIGNAL NAME | FR | SSC | DDM | PP | LBD | DWG | P | LAST | SIGNAL NAME | FR | SSC | DDM | PP | LBD | DWG | P | LAST |
| | | | | | LOCATOR | T | REV | | | | | | | LOCATOR | T | REV | |
| OSMO/1- | 1A | 12B | 06 | 0130G03 | O | A1 | | | | | | | | | | | |
| | 1A | 19B | 04 | 0124E05 | I | A1 | | | | | | | | | | | |
| | 1A | 20B | 04 | 0124E01 | I | A1 | | | | | | | | | | | |
| | 1A | 18B | 04 | 0124C02 | I | A1 | | | | | | | | | | | |
| | 1A | 18B | 04 | 0124C02 | I | A1 | | | | | | | | | | | |

PAGE 0051A

DOCUMENT CONTINUED

INDEX: OSMO/1-

| CONDENSED SIGNAL LIST | | | | | TOP DRAWING NUMBER | | | | | REV DATE FILE NAME | | | | | PAGE | | |
|-----------------------|----|-----|-----|---------|---------------------|-----|-----|------|-------------|---------------------|-----|-----|---------|---------|---------|-----|------|
| 716 CENTRAL PROCESSOR | | | | | 03000 K70030679-319 | | | | | M 10-18-74 X13CPUXX | | | | | 5 0051A | | |
| SIGNAL NAME | FR | SSC | DDM | PP | LBD | DWG | P | LAST | SIGNAL NAME | FR | SSC | DDM | PP | LBD | DWG | P | LAST |
| | | | | | LOCATOR | T | REV | | | | | | | LOCATOR | T | REV | |
| OPNIRS- | 1A | 17F | 02 | 0124B10 | I | A6 | | | OPNLDX- | 01A | 08B | 06 | 0128B02 | I | C0 | | |
| | 1A | 02C | 01 | 0120F04 | I | A6 | | | | 01A | 16E | 02 | 0128D08 | I | C2 | | |
| | 1A | 02C | 02 | 0120F04 | I | A6 | | | | 01A | 09D | 03 | 0128E02 | I | C2 | | |
| | 1A | 06C | 03 | 0120C06 | I | A6 | | | | 04A | 04 | 07 | 0128D02 | O | C2 | | |
| | 1A | 06D | 03 | 0120C06 | I | A6 | | | | 04A | 53 | | | | | | |
| | 1A | 10B | 04 | 0120D05 | I | A6 | | | | | | | | | | | |
| | 1A | 10B | 04 | 0120D05 | I | A6 | | | | | | | | | | | |

PAGE 0050

DOCUMENT CONTINUED

INDEX: OPNIRS-

| CONDENSED SIGNAL LIST | | | | | TOP DRAWING NUMBER | | | | | REV DATE FILE NAME | | | | | PAGE | | |
|-----------------------|-----|-----|-----|---------|---------------------|-----|-----|------|-------------|---------------------|-----|-----|---------|---------|--------|-----|------|
| 716 CENTRAL PROCESSOR | | | | | 03000 K70030679-319 | | | | | M 10-18-74 X13CPUXX | | | | | 5 0052 | | |
| SIGNAL NAME | FR | SSC | DDM | PP | LBD | DWG | P | LAST | SIGNAL NAME | FR | SSC | DDM | PP | LBD | DWG | P | LAST |
| | | | | | LOCATOR | T | REV | | | | | | | LOCATOR | T | REV | |
| RA02FF+ | 02A | 18B | 04 | 0130F01 | I | A2 | | | RA04IN+ | 09A | 05F | 09 | 0104F02 | I | A2 | | |
| | 02A | 18B | 06 | 0117G11 | O | A1 | | | | 09A | 04G | 06 | 0104E01 | O | A2 | | |
| | 02A | 18G | 05 | 0117G11 | O | A1 | | | | | | | | | | | |
| | 02A | 18G | 05 | 0117G11 | O | A1 | | | | | | | | | | | |
| | 02A | 18G | 02 | 0117G11 | I | A1 | | | | | | | | | | | |

PAGE 0052

DOCUMENT CONTINUED

INDEX: RA02FF+

| CONDENSED SIGNAL LIST | | | | | TOP DRAWING NUMBER | | | | | REV DATE FILE NAME | | | | | PAGE | | |
|-----------------------|-----|-----|-----|---------|---------------------|-----|-----|------|-------------|---------------------|-----|-----|---------|---------|---------|-----|------|
| 716 CENTRAL PROCESSOR | | | | | 03000 K70030679-319 | | | | | M 10-18-74 X13CPUXX | | | | | 5 0051A | | |
| SIGNAL NAME | FR | SSC | DDM | PP | LBD | DWG | P | LAST | SIGNAL NAME | FR | SSC | DDM | PP | LBD | DWG | P | LAST |
| | | | | | LOCATOR | T | REV | | | | | | | LOCATOR | T | REV | |
| OPNSTA+ | 01A | 12E | 02 | 0128F04 | I | A2 | | | QHO104 | 08A | 12C | 07 | 0126A03 | O | H6 | | |
| | 01A | 13F | 02 | 0128E05 | I | A2 | | | | 08A | 13A | 06 | 0126A03 | O | H6 | | |
| | 01A | 05C | 07 | 0126C02 | O | A2 | | | | 08A | 13A | 06 | 0126B07 | I | H6 | | |
| | 01A | 05C | 28 | | | | | | | | | | | | | | |

PAGE 0051

DOCUMENT CONTINUED

INDEX: OPNSTA+

Table with columns: SIGNAL NAME, FR, SSC, DDM, PP, LBD, DWG, P, LAST, REV. Rows include RB09IN, RB09FF, RB07IN, RB07FF, RB05IN, RB05FF, RB03IN, RB03FF, RB01IN, RB01FF, RB09FF+H, RB12IN, RB13FF, RB13IN, RB14FF, RB14IN, RB15FF, RB15IN, RB16FF, RB16IN, RB17FF, RB17IN, RB18FF, RB18IN, RB19FF, RB19IN, RB20FF, RB20IN.

Table with columns: SIGNAL NAME, FR, SSC, DDM, PP, LBD, DWG, P, LAST, REV. Rows include RA07FF, RA07IN, RA08FF, RA08IN, RA09FF, RA09IN, RA10FF, RA10IN, RA11FF, RA11IN, RA12FF, RA12IN, RA13FF, RA13IN, RA14FF, RA14IN, RA15FF, RA15IN, RA16FF, RA16IN, RA17FF, RA17IN, RA18FF, RA18IN, RA19FF, RA19IN, RA20FF, RA20IN.

Table with columns: SIGNAL NAME, FR, SSC, DDM, PP, LBD, DWG, P, LAST, REV. Rows include RB09FF+H, RB12IN, RB13FF, RB13IN, RB14FF, RB14IN, RB15FF, RB15IN, RB16FF, RB16IN, RB17FF, RB17IN, RB18FF, RB18IN, RB19FF, RB19IN, RB20FF, RB20IN, RB21FF, RB21IN, RB22FF, RB22IN, RB23FF, RB23IN, RB24FF, RB24IN, RB25FF, RB25IN, RB26FF, RB26IN, RB27FF, RB27IN, RB28FF, RB28IN, RB29FF, RB29IN, RB30FF, RB30IN.

Table with columns: SIGNAL NAME, FR, SSC, DDM, PP, LBD, DWG, P, LAST, REV. Rows include RA15FF, RA15IN, RA16FF, RA16IN, RA17FF, RA17IN, RA18FF, RA18IN, RA19FF, RA19IN, RA20FF, RA20IN, RA21FF, RA21IN, RA22FF, RA22IN, RA23FF, RA23IN, RA24FF, RA24IN, RA25FF, RA25IN, RA26FF, RA26IN, RA27FF, RA27IN, RA28FF, RA28IN, RA29FF, RA29IN, RA30FF, RA30IN.

Table with columns: SIGNAL NAME, FR, SSC, DDM, PP, LBD, DWS, P, LAST, LOCATOR, T, REV. Contains signal data for RM15FF, RM16FF, RI01FF, RI02FF, RI03FF, RI04FF, RI05FF, RI06FF.

Table with columns: SIGNAL NAME, FR, SSC, DDM, PP, LBD, DWS, P, LAST, LOCATOR, T, REV. Contains signal data for RI07FF, RI08FF, RI09FF, RI10FF, RI11FF, RI12FF, RI13FF, RI14FF.

INDEX: RI15FF.

Table with columns: SIGNAL NAME, FR, SSC, DDM, PP, LBD, DWS, P, LAST, LOCATOR, T, REV. Contains signal data for RK50VE, RK51TOV, RK52FF, RK53MU.

Table with columns: SIGNAL NAME, FR, SSC, DDM, PP, LBD, DWS, P, LAST, LOCATOR, T, REV. Contains signal data for RM03FF, RM04FF, RM05IN, RM06IN, RM07FF, RM08IN, RM09IN, RM10IN, RM11IN, RM12IN, RM13IN, RM14IN, RM15IN, RM16IN, RM17IN, RM18IN, RM19IN, RM20IN, RM21IN, RM22IN, RM23IN, RM24IN, RM25IN, RM26IN, RM27IN, RM28IN, RM29IN, RM30IN, RM31IN, RM32IN, RM33IN, RM34IN, RM35IN, RM36IN, RM37IN, RM38IN, RM39IN, RM40IN, RM41IN, RM42IN, RM43IN, RM44IN, RM45IN, RM46IN, RM47IN, RM48IN, RM49IN, RM50IN.

INDEX: RK50VE.

Table with columns: SIGNAL NAME, FR, SSC, DDM, PP, LBD, DWS, P, LAST, LOCATOR, T, REV. Contains signal data for RJ06FF, RJ07FF, RJ08FF, RJ09FF, RJ10FF, RJ11FF, RJ12FF, RJ13FF, RJ14FF, RJ15FF, RJ16FF, RJ17FF, RJ18FF, RJ19FF, RJ20FF, RJ21FF, RJ22FF, RJ23FF, RJ24FF, RJ25FF, RJ26FF, RJ27FF, RJ28FF, RJ29FF, RJ30FF, RJ31FF, RJ32FF, RJ33FF, RJ34FF, RJ35FF, RJ36FF, RJ37FF, RJ38FF, RJ39FF, RJ40FF, RJ41FF, RJ42FF, RJ43FF, RJ44FF, RJ45FF, RJ46FF, RJ47FF, RJ48FF, RJ49FF, RJ50FF.

Table with columns: SIGNAL NAME, FR, SSC, DDM, PP, LBD, DWS, P, LAST, LOCATOR, T, REV. Contains signal data for RK13SC, RK14IN, RK14SC, RK15IN, RK15SC, RK16IN, RK16SC, RK17IN, RK17SC, RK18IN, RK18SC, RK19IN, RK19SC, RK20IN, RK20SC, RK21IN, RK21SC, RK22IN, RK22SC, RK23IN, RK23SC, RK24IN, RK24SC, RK25IN, RK25SC, RK26IN, RK26SC, RK27IN, RK27SC, RK28IN, RK28SC, RK29IN, RK29SC, RK30IN, RK30SC, RK31IN, RK31SC, RK32IN, RK32SC, RK33IN, RK33SC, RK34IN, RK34SC, RK35IN, RK35SC, RK36IN, RK36SC, RK37IN, RK37SC, RK38IN, RK38SC, RK39IN, RK39SC, RK40IN, RK40SC, RK41IN, RK41SC, RK42IN, RK42SC, RK43IN, RK43SC, RK44IN, RK44SC, RK45IN, RK45SC, RK46IN, RK46SC, RK47IN, RK47SC, RK48IN, RK48SC, RK49IN, RK49SC, RK50IN, RK50SC.

INDEX: RJ06FF.

Table with columns: SIGNAL NAME, FR, SSC, DDM, PP, LBD, DWS, P, LAST, LOCATOR, T, REV. Contains signal data for RM05IN, RM06IN, RM07FF, RM08IN, RM09IN, RM10IN, RM11IN, RM12IN, RM13IN, RM14IN, RM15IN, RM16IN, RM17IN, RM18IN, RM19IN, RM20IN, RM21IN, RM22IN, RM23IN, RM24IN, RM25IN, RM26IN, RM27IN, RM28IN, RM29IN, RM30IN, RM31IN, RM32IN, RM33IN, RM34IN, RM35IN, RM36IN, RM37IN, RM38IN, RM39IN, RM40IN, RM41IN, RM42IN, RM43IN, RM44IN, RM45IN, RM46IN, RM47IN, RM48IN, RM49IN, RM50IN.

Table with columns: SIGNAL NAME, FR, SSC, DDM, PP, LBD, DWS, P, LAST, LOCATOR, T, REV. Contains signal data for RM05FF, RM06FF, RM07FF, RM08FF, RM09FF, RM10FF, RM11FF, RM12FF, RM13FF, RM14FF, RM15FF, RM16FF, RM17FF, RM18FF, RM19FF, RM20FF, RM21FF, RM22FF, RM23FF, RM24FF, RM25FF, RM26FF, RM27FF, RM28FF, RM29FF, RM30FF, RM31FF, RM32FF, RM33FF, RM34FF, RM35FF, RM36FF, RM37FF, RM38FF, RM39FF, RM40FF, RM41FF, RM42FF, RM43FF, RM44FF, RM45FF, RM46FF, RM47FF, RM48FF, RM49FF, RM50FF.

INDEX: RM05IN.

Table with columns: SIGNAL NAME, FR, SSC, DDM, PP, LBD, DWG, P, LAST, LOCATOR, T, REV, SIGNAL NAME, FR, SSC, DDM, PP, LBD, DWG, P, LAST, LOCATOR, T, REV, SIGNAL NAME, FR, SSC, DDM, PP, LBD, DWG, P, LAST, LOCATOR, T, REV. Includes entries like RT16FF+, SRRAD1+, SRRB01+, SRRB02+, STRTCL-, TCINDT-, TDE05-, TDE10-, TDE15-, TDE20-, TDE25-, TDE30-, TDE35-, TDE40-, TDE45-, TDE50-.

Table with columns: SIGNAL NAME, FR, SSC, DDM, PP, LBD, DWG, P, LAST, LOCATOR, T, REV, SIGNAL NAME, FR, SSC, DDM, PP, LBD, DWG, P, LAST, LOCATOR, T, REV, SIGNAL NAME, FR, SSC, DDM, PP, LBD, DWG, P, LAST, LOCATOR, T, REV. Includes entries like RT01FF+, RT02FF+, RT03FF+, RT04FF+, RT05FF+, RT06FF+, RT07FF+, RT08FF+, RT09FF+, RT10FF+, RT11FF+, RT12FF+, RT13FF+, RT14FF+, RT15FF+, RT16FF+, RT17FF+, RT18FF+, RT19FF+, RT20FF+.

Table with columns: SIGNAL NAME, FR, SSC, DDM, PP, LBD, DWG, P, LAST, LOCATOR, T, REV, SIGNAL NAME, FR, SSC, DDM, PP, LBD, DWG, P, LAST, LOCATOR, T, REV, SIGNAL NAME, FR, SSC, DDM, PP, LBD, DWG, P, LAST, LOCATOR, T, REV. Includes entries like TUS010-, TUS015-, TUS020-, TUS025-, TUS030-, TUS035-, TUS040-, TUS045-, TUS050-, TUS055-, TUS060-, TUS065-, TUS070-, TUS075-, TUS080-, TUS085-, TUS090-, TUS095-, TUS100-, TUSLAT-, TUSNRM-, TUSTOP-, TUSSTOP-.

Table with columns: SIGNAL NAME, FR, SSC, DDM, PP, LBD, DWG, P, LAST, LOCATOR, T, REV, SIGNAL NAME, FR, SSC, DDM, PP, LBD, DWG, P, LAST, LOCATOR, T, REV, SIGNAL NAME, FR, SSC, DDM, PP, LBD, DWG, P, LAST, LOCATOR, T, REV. Includes entries like TUS105-, TUS110-, TUS115-, TUS120-, TUS125-, TUS130-, TUS135-, TUS140-, TUS145-, TUS150-, TUS155-, TUS160-, TUS165-, TUS170-, TUS175-, TUS180-, TUS185-, TUS190-, TUS195-, TUS200-.

| CONDENSED SIGNAL LIST 716 CENTRAL PROCESSOR | | | | | | | | | | | TOP DRAWING NUMBER 03000 K70030679-319 | | | | | | | | | | | REV 10-18-74 | | | | | | | | | | | FILE NAME X13CPURX | | | | | | | | | | | PAGE 0071 | | | | | | | | | | |
|--|-----|-----|-----|----|---------|-----|----|----------|-------------|-----|---|-----|---------|-----|-----|----------|------|-------------|----|---------|-----|-----------------|----------|-----|-----|----------|-------------|----|-----|----------|-----|-----|-----------------------|---------|------|----|--|--|--|--|--|--|--|--------------|--|--|--|--|--|--|--|--|--|--|
| SIGNAL NAME | FR | SSC | DDM | PP | LBD | DWG | P | LAST | SIGNAL NAME | FR | SSC | DDM | PP | LBD | DWG | P | LAST | SIGNAL NAME | FR | SSC | DDM | PP | LBD | DWG | P | LAST | SIGNAL NAME | FR | SSC | DDM | PP | LBD | DWG | P | LAST | | | | | | | | | | | | | | | | | | | |
| TPULSE+7 | 08A | 17F | 04 | 01 | 0124F04 | I | 22 | TPULSE+A | 08V | 09V | 11 | 01 | 0109E05 | I | 24 | TPULSE+H | 08A | 49 | / | / | / | / | / | / | A1 | TPULSE+H | 08A | 49 | / | / | / | / | / | A1 | | | | | | | | | | | | | | | | | | | | |
| TPULSE+ | 08A | 17F | 04 | 01 | 0124F04 | I | 22 | TPULSE+ | 08V | 09V | 11 | 01 | 0109E05 | I | 24 | TPULSE+H | 08A | 49 | / | / | / | / | / | / | A1 | TPULSE+H | 08A | 49 | / | / | / | / | / | A1 | | | | | | | | | | | | | | | | | | | | |
| TPULSE+A | 08A | 17G | 04 | 01 | 0126G10 | I | 22 | TPULSE+B | 01A | 03D | 04 | 01 | 0128B08 | I | E1 | TPULSE_A | 01A | 07E | 02 | 0123C05 | I | 22 | TPULSE_Y | 01A | 14A | 01 | 0129G11 | I | 22 | TPULSE+H | 05A | 16G | 03 | 0134B09 | I | A3 | | | | | | | | | | | | | | | | | | |

PAGE 0071

DOCUMENT CONTINUED

INDEX: TPULSE+7

| CONDENSED SIGNAL LIST 716 CENTRAL PROCESSOR | | | | | | | | | | | TOP DRAWING NUMBER 03000 K70030679-319 | | | | | | | | | | | REV 10-18-74 | | | | | | | | | | | FILE NAME X13CPURX | | | | | | | | | | | PAGE 0071 | | | | | | | | | | |
|--|-----|-----|-----|----|---------|-----|----|---------|-------------|-----|---|-----|---------|-----|-----|---------|------|-------------|----|-----|---------|-----------------|-----|---------|-----|------|-------------|----|---------|-----|----|---------|-----------------------|-----|------|----|---------|---|----|--|--|--|--|--------------|--|--|--|--|--|--|--|--|--|--|
| SIGNAL NAME | FR | SSC | DDM | PP | LBD | DWG | P | LAST | SIGNAL NAME | FR | SSC | DDM | PP | LBD | DWG | P | LAST | SIGNAL NAME | FR | SSC | DDM | PP | LBD | DWG | P | LAST | SIGNAL NAME | FR | SSC | DDM | PP | LBD | DWG | P | LAST | | | | | | | | | | | | | | | | | | | |
| TLXLYC+ | 11A | 13B | 03 | 01 | 0129F06 | I | 22 | TLXLYC+ | 11A | 13B | 03 | 01 | 0129F06 | I | 22 | TLXLYC+ | 11A | 13B | 03 | 01 | 0129F06 | I | 22 | TLXLYC+ | 11A | 13B | 03 | 01 | 0129F06 | I | 22 | TLXLYC+ | 11A | 13B | 03 | 01 | 0129F06 | I | 22 | | | | | | | | | | | | | | | |
| TLXLYC- | 02A | 14F | 01 | 01 | 0127C09 | I | 22 | TLXLYC- | 02A | 14F | 01 | 01 | 0127C09 | I | 22 | TLXLYC- | 02A | 14F | 01 | 01 | 0127C09 | I | 22 | TLXLYC- | 02A | 14F | 01 | 01 | 0127C09 | I | 22 | TLXLYC- | 02A | 14F | 01 | 01 | 0127C09 | I | 22 | | | | | | | | | | | | | | | |
| TPDLYD+ | 01A | 01F | 03 | 01 | 0128E02 | I | C9 | TPDLYD+ | 01A | 01F | 03 | 01 | 0128E02 | I | C9 | TPDLYD+ | 01A | 01F | 03 | 01 | 0128E02 | I | C9 | TPDLYD+ | 01A | 01F | 03 | 01 | 0128E02 | I | C9 | TPDLYD+ | 01A | 01F | 03 | 01 | 0128E02 | I | C9 | | | | | | | | | | | | | | | |

PAGE 0069A

DOCUMENT CONTINUED

INDEX: TLXLYC+

| CONDENSED SIGNAL LIST 716 CENTRAL PROCESSOR | | | | | | | | | | | TOP DRAWING NUMBER 03000 K70030679-319 | | | | | | | | | | | REV 10-18-74 | | | | | | | | | | | FILE NAME X13CPURX | | | | | | | | | | | PAGE 0071A | | | | | | | | | | |
|--|-----|-----|-----|----|---------|-----|----|---------|-------------|-----|---|-----|---------|-----|-----|---------|------|-------------|----|-----|---------|-----------------|-----|---------|-----|------|-------------|----|---------|-----|----|---------|-----------------------|-----|------|----|---------|---|----|--|--|--|--|---------------|--|--|--|--|--|--|--|--|--|--|
| SIGNAL NAME | FR | SSC | DDM | PP | LBD | DWG | P | LAST | SIGNAL NAME | FR | SSC | DDM | PP | LBD | DWG | P | LAST | SIGNAL NAME | FR | SSC | DDM | PP | LBD | DWG | P | LAST | SIGNAL NAME | FR | SSC | DDM | PP | LBD | DWG | P | LAST | | | | | | | | | | | | | | | | | | | |
| TRMLAT- | 08A | 07E | 07 | 01 | 0118F10 | O | 22 | TRMLAT- | 08A | 07E | 07 | 01 | 0118F10 | O | 22 | TRMLAT- | 08A | 07E | 07 | 01 | 0118F10 | O | 22 | TRMLAT- | 08A | 07E | 07 | 01 | 0118F10 | O | 22 | TRMLAT- | 08A | 07E | 07 | 01 | 0118F10 | O | 22 | | | | | | | | | | | | | | | |
| TLXLYC+ | 11A | 13B | 03 | 01 | 0129F06 | I | 22 | TLXLYC+ | 11A | 13B | 03 | 01 | 0129F06 | I | 22 | TLXLYC+ | 11A | 13B | 03 | 01 | 0129F06 | I | 22 | TLXLYC+ | 11A | 13B | 03 | 01 | 0129F06 | I | 22 | TLXLYC+ | 11A | 13B | 03 | 01 | 0129F06 | I | 22 | | | | | | | | | | | | | | | |
| TLXLYC- | 02A | 14F | 01 | 01 | 0127C09 | I | 22 | TLXLYC- | 02A | 14F | 01 | 01 | 0127C09 | I | 22 | TLXLYC- | 02A | 14F | 01 | 01 | 0127C09 | I | 22 | TLXLYC- | 02A | 14F | 01 | 01 | 0127C09 | I | 22 | TLXLYC- | 02A | 14F | 01 | 01 | 0127C09 | I | 22 | | | | | | | | | | | | | | | |
| TPDLYD+ | 01A | 01F | 03 | 01 | 0128E02 | I | C9 | TPDLYD+ | 01A | 01F | 03 | 01 | 0128E02 | I | C9 | TPDLYD+ | 01A | 01F | 03 | 01 | 0128E02 | I | C9 | TPDLYD+ | 01A | 01F | 03 | 01 | 0128E02 | I | C9 | TPDLYD+ | 01A | 01F | 03 | 01 | 0128E02 | I | C9 | | | | | | | | | | | | | | | |

PAGE 0071A

DOCUMENT CONTINUED

INDEX: TRMLAT-

| CONDENSED SIGNAL LIST 716 CENTRAL PROCESSOR | | | | | | | | | | | TOP DRAWING NUMBER 03000 K70030679-319 | | | | | | | | | | | REV 10-18-74 | | | | | | | | | | | FILE NAME X13CPURX | | | | | | | | | | | PAGE 0076 | | | | | | | | | | |
|--|-----|-----|-----|----|---------|-----|----|----------|-------------|-----|---|-----|---------|-----|-----|----------|------|-------------|----|-----|---------|-----------------|-----|----------|-----|------|-------------|----|---------|-----|----|----------|-----------------------|-----|------|----|---------|---|----|--|--|--|--|--------------|--|--|--|--|--|--|--|--|--|--|
| SIGNAL NAME | FR | SSC | DDM | PP | LBD | DWG | P | LAST | SIGNAL NAME | FR | SSC | DDM | PP | LBD | DWG | P | LAST | SIGNAL NAME | FR | SSC | DDM | PP | LBD | DWG | P | LAST | SIGNAL NAME | FR | SSC | DDM | PP | LBD | DWG | P | LAST | | | | | | | | | | | | | | | | | | | |
| TLXLYC+A | 11A | 13B | 03 | 01 | 0129F06 | I | 22 | TLXLYC+A | 11A | 13B | 03 | 01 | 0129F06 | I | 22 | TLXLYC+A | 11A | 13B | 03 | 01 | 0129F06 | I | 22 | TLXLYC+A | 11A | 13B | 03 | 01 | 0129F06 | I | 22 | TLXLYC+A | 11A | 13B | 03 | 01 | 0129F06 | I | 22 | | | | | | | | | | | | | | | |
| TLXLYC- | 02A | 14F | 01 | 01 | 0127C09 | I | 22 | TLXLYC- | 02A | 14F | 01 | 01 | 0127C09 | I | 22 | TLXLYC- | 02A | 14F | 01 | 01 | 0127C09 | I | 22 | TLXLYC- | 02A | 14F | 01 | 01 | 0127C09 | I | 22 | TLXLYC- | 02A | 14F | 01 | 01 | 0127C09 | I | 22 | | | | | | | | | | | | | | | |
| TPDLYD+ | 01A | 01F | 03 | 01 | 0128E02 | I | C9 | TPDLYD+ | 01A | 01F | 03 | 01 | 0128E02 | I | C9 | TPDLYD+ | 01A | 01F | 03 | 01 | 0128E02 | I | C9 | TPDLYD+ | 01A | 01F | 03 | 01 | 0128E02 | I | C9 | TPDLYD+ | 01A | 01F | 03 | 01 | 0128E02 | I | C9 | | | | | | | | | | | | | | | |

PAGE 0070

DOCUMENT CONTINUED

INDEX: TLXLYC+A

| CONDENSED SIGNAL LIST | | | | | | | | | | TOP DRAWING NUMBER | | | | | | | | | | REV DATE FILE NAME | | | | | | | | | | PAGE | | | | | | | | | |
|-----------------------|-----|-----|-----|---------|-----|-----|---|------|-----|---------------------|-----|-----|-----|---------|-----|-----|---|------|-----|--------------------|----------|-----|-----|----|---------|-----|---|------|-----|------|--|--|--|--|--|--|--|--|--|
| 716 CENTRAL PROCESSOR | | | | | | | | | | 03000 K70030679-319 | | | | | | | | | | 10-18-74 X13CPURX | | | | | | | | | | 0074 | | | | | | | | | |
| SIGNAL NAME | FR | SSC | DDM | PP | LBD | DWS | P | LAST | REV | SIGNAL NAME | FR | SSC | DDM | PP | LBD | DWS | P | LAST | REV | SIGNAL NAME | FR | SSC | DDM | PP | LBD | DWS | P | LAST | REV | | | | | | | | | | |
| Z5V01B36 | 01B | 36 | | | | | | | 23 | Z5V06 | 06J | 22F | KB | 0150B05 | A1 | | | | | 23 | Z5V11B36 | 11B | 36 | | | | | | | 23 | | | | | | | | | |
| Z5V02 | 02J | 14G | AB | | | | | | 23 | Z5V06A35 | 06A | 35 | | | | | | | | 22 | ZG04AC | 05A | 08G | 07 | | | | | | A1 | | | | | | | | | |
| Z5V02A35 | 02A | 35 | | | | | | | 22 | Z5V06B35 | 06B | 35 | | | | | | | | 23 | ZG001 | 01A | 07E | 01 | 0123C03 | | | | | 22 | | | | | | | | | |
| Z5V02A36 | 02A | 36 | | | | | | | 22 | Z5V06B36 | 06B | 36 | | | | | | | | 23 | ZG001A02 | 01A | 02 | | | | | | | G 22 | | | | | | | | | |
| Z5V02B35 | 02B | 35 | | | | | | | 23 | Z5V07 | 07J | 19F | JB | | | | | | | A1 | ZG001A23 | 01A | 23 | | | | | | | G 22 | | | | | | | | | |
| Z5V02B36 | 02B | 36 | | | | | | | 23 | Z5V07A35 | 07A | 35 | | | | | | | | 22 | ZG001A47 | 01A | 47 | | | | | | | G 22 | | | | | | | | | |
| Z5V03 | 03J | 20B | JB | 0117F08 | | | | | A1 | Z5V07A36 | 07A | 36 | | | | | | | | 22 | ZG001A70 | 01A | 70 | | | | | | | G 22 | | | | | | | | | |
| Z5V03A35 | 03A | 35 | | | | | | | 22 | Z5V07B35 | 07B | 35 | | | | | | | | 23 | ZG001B02 | 01B | 02 | | | | | | | G 23 | | | | | | | | | |
| Z5V03A36 | 03A | 36 | | | | | | | 22 | Z5V07B36 | 07B | 36 | | | | | | | | 23 | ZG001B23 | 01B | 23 | | | | | | | G 23 | | | | | | | | | |
| Z5V03B35 | 03B | 35 | | | | | | | 23 | Z5V08 | 08J | 11A | JB | 0126B01 | | | | | | A1 | ZG001B70 | 01B | 70 | | | | | | | G 23 | | | | | | | | | |
| Z5V03B36 | 03B | 36 | | | | | | | 23 | Z5V08A35 | 08A | 35 | | | | | | | | 22 | ZG002 | 02A | 07E | 04 | 0124G02 | | | | | I 22 | | | | | | | | | |
| Z5V04 | 04J | 10C | AB | 0054E12 | | | | | A1 | Z5V08A36 | 08A | 36 | | | | | | | | 22 | ZG002A02 | 02A | 02 | | | | | | | G 22 | | | | | | | | | |
| Z5V04A35 | 04A | 35 | | | | | | | 21 | Z5V08B35 | 08B | 35 | | | | | | | | 23 | ZG002A23 | 02A | 23 | | | | | | | G 22 | | | | | | | | | |
| Z5V04A36 | 04A | 36 | | | | | | | 22 | Z5V08B36 | 08B | 36 | | | | | | | | 23 | ZG002A47 | 02A | 47 | | | | | | | G 22 | | | | | | | | | |
| Z5V04B35 | 04B | 35 | | | | | | | 23 | Z5V09A35 | 09A | 35 | | | | | | | | 22 | ZG002A70 | 02A | 70 | | | | | | | G 22 | | | | | | | | | |
| Z5V04B36 | 04B | 36 | | | | | | | 23 | Z5V09B35 | 09B | 35 | | | | | | | | 23 | ZG002B02 | 02B | 02 | | | | | | | G 23 | | | | | | | | | |
| Z5V05 | 05J | 03B | JB | 0044E11 | | | | | A1 | Z5V09B36 | 09B | 36 | | | | | | | | 23 | ZG002B23 | 02B | 23 | | | | | | | G 23 | | | | | | | | | |
| Z5V05A35 | 05A | 35 | | | | | | | 22 | Z5V10 | 10J | 06D | JB | | | | | | | A1 | ZG002B47 | 02B | 47 | | | | | | | G 23 | | | | | | | | | |
| Z5V05A36 | 05A | 36 | | | | | | | 22 | Z5V10A35 | 10A | 35 | | | | | | | | 22 | ZG002B70 | 02B | 70 | | | | | | | G 23 | | | | | | | | | |
| Z5V05B35 | 05B | 35 | | | | | | | 23 | Z5V10A36 | 10A | 36 | | | | | | | | 22 | ZG003 | 03A | 06F | 03 | 0119D06 | | | | | I B2 | | | | | | | | | |
| Z5V05B36 | 05B | 36 | | | | | | | 23 | Z5V10B35 | 10B | 35 | | | | | | | | 23 | ZG003A02 | 03A | 02 | | | | | | | G 22 | | | | | | | | | |
| Z5V06 | 06J | 05A | KB | 0033B03 | | | | | A1 | Z5V10B36 | 10B | 36 | | | | | | | | 23 | ZG003A23 | 03A | 23 | | | | | | | G 22 | | | | | | | | | |
| | | | | | | | | | B2 | Z5V11 | 11J | 04A | JB | | | | | | | A1 | ZG003A47 | 03A | 47 | | | | | | | G 22 | | | | | | | | | |
| | | | | | | | | | B2 | Z5V11A35 | 11A | 35 | | | | | | | | 22 | ZG003A70 | 03A | 70 | | | | | | | G 22 | | | | | | | | | |
| | | | | | | | | | B2 | Z5V11A36 | 11A | 36 | | | | | | | | 22 | ZG003B02 | 03B | 02 | | | | | | | G 23 | | | | | | | | | |
| | | | | | | | | | B2 | Z5V11B35 | 11B | 35 | | | | | | | | 23 | | | | | | | | | | | | | | | | | | | |

PAGE 0074

DOCUMENT CONTINUED

INDEX: Z5V01B36

| CONDENSED SIGNAL LIST | | | | | | | | | | TOP DRAWING NUMBER | | | | | | | | | | REV DATE FILE NAME | | | | | | | | | | PAGE | | | | | | | | | |
|-----------------------|-----|-----|-----|----|-----|-----|---|------|-----|---------------------|-----|-----|-----|----|-----|-----|---|------|-----|--------------------|---------|-----|-----|----|-----|-----|---|------|-----|------|--|--|--|--|--|--|--|--|--|
| 716 CENTRAL PROCESSOR | | | | | | | | | | 03000 K70030679-319 | | | | | | | | | | 10-18-74 X13CPURX | | | | | | | | | | 0074 | | | | | | | | | |
| SIGNAL NAME | FR | SSC | DDM | PP | LBD | DWS | P | LAST | REV | SIGNAL NAME | FR | SSC | DDM | PP | LBD | DWS | P | LAST | REV | SIGNAL NAME | FR | SSC | DDM | PP | LBD | DWS | P | LAST | REV | | | | | | | | | | |
| TRMLDV_P | 01A | 07E | 05 | | | | | | 22 | TRRFW_P | 11A | 13 | | | | | | | | 22 | TRRFW_P | 05B | 69 | | | | | | | 23 | | | | | | | | | |
| TRMLDV_P | 01A | 07E | 05 | | | | | | 22 | TRRFW_P | 02A | 18A | 03 | | | | | | | 22 | TRRFW_P | 04A | 11B | 07 | | | | | | 22 | | | | | | | | | |
| TRMLDV_P | 01A | 07E | 05 | | | | | | 22 | TRRFW_P | 02B | 01C | 03 | | | | | | | 22 | TRRFW_P | 04A | 09A | 02 | | | | | | 22 | | | | | | | | | |
| TRMLDV_P | 01A | 07E | 05 | | | | | | 22 | TRRFW_P | 02B | 01C | 03 | | | | | | | 22 | TRRFW_P | 04A | 09A | 02 | | | | | | 22 | | | | | | | | | |
| TRMLDV_P | 01A | 07E | 05 | | | | | | 22 | TRRFW_P | 02B | 01C | 03 | | | | | | | 22 | TRRFW_P | 04A | 09A | 02 | | | | | | 22 | | | | | | | | | |
| TRMLDV_P | 01A | 07E | 05 | | | | | | 22 | TRRFW_P | 02B | 01C | 03 | | | | | | | 22 | TRRFW_P | 04A | 09A | 02 | | | | | | 22 | | | | | | | | | |
| TRMLDV_P | 01A | 07E | 05 | | | | | | 22 | TRRFW_P | 02B | 01C | 03 | | | | | | | 22 | TRRFW_P | 04A | 09A | 02 | | | | | | 22 | | | | | | | | | |
| TRMLDV_P | 01A | 07E | 05 | | | | | | 22 | TRRFW_P | 02B | 01C | 03 | | | | | | | 22 | TRRFW_P | 04A | 09A | 02 | | | | | | 22 | | | | | | | | | |
| TRMLDV_P | 01A | 07E | 05 | | | | | | 22 | TRRFW_P | 02B | 01C | 03 | | | | | | | 22 | TRRFW_P | 04A | 09A | 02 | | | | | | 22 | | | | | | | | | |
| TRMLDV_P | 01A | 07E | 05 | | | | | | 22 | TRRFW_P | 02B | 01C | 03 | | | | | | | 22 | TRRFW_P | 04A | 09A | 02 | | | | | | 22 | | | | | | | | | |
| TRMLDV_P | 01A | 07E | 05 | | | | | | 22 | TRRFW_P | 02B | 01C | 03 | | | | | | | 22 | TRRFW_P | 04A | 09A | 02 | | | | | | 22 | | | | | | | | | |
| TRMLDV_P | 01A | 07E | 05 | | | | | | 22 | TRRFW_P | 02B | 01C | 03 | | | | | | | 22 | TRRFW_P | 04A | 09A | 02 | | | | | | 22 | | | | | | | | | |
| TRMLDV_P | 01A | 07E | 05 | | | | | | 22 | TRRFW_P | 02B | 01C | 03 | | | | | | | 22 | TRRFW_P | 04A | 09A | 02 | | | | | | 22 | | | | | | | | | |
| TRMLDV_P | 01A | 07E | 05 | | | | | | 22 | TRRFW_P | 02B | 01C | 03 | | | | | | | 22 | TRRFW_P | 04A | 09A | 02 | | | | | | 22 | | | | | | | | | |
| TRMLDV_P | 01A | 07E | 05 | | | | | | 22 | TRRFW_P | 02B | 01C | 03 | | | | | | | 22 | TRRFW_P | 04A | 09A | 02 | | | | | | 22 | | | | | | | | | |
| TRMLDV_P | 01A | 07E | 05 | | | | | | 22 | TRRFW_P | 02B | 01C | 03 | | | | | | | 22 | TRRFW_P | 04A | 09A | 02 | | | | | | 22 | | | | | | | | | |
| TRMLDV_P | 01A | 07E | 05 | | | | | | 22 | TRRFW_P | 02B | 01C | 03 | | | | | | | 22 | TRRFW_P | 04A | 09A | 02 | | | | | | 22 | | | | | | | | | |
| TRMLDV_P | 01A | 07E | 05 | | | | | | 22 | TRRFW_P | 02B | 01C | 03 | | | | | | | 22 | TRRFW_P | 04A | 09A | 02 | | | | | | 22 | | | | | | | | | |
| TRMLDV_P | 01A | 07E | 05 | | | | | | 22 | TRRFW_P | 02B | 01C | 03 | | | | | | | 22 | TRRFW_P | 04A | 09A | 02 | | | | | | 22 | | | | | | | | | |
| TRMLDV_P | 01A | 07E | 05 | | | | | | 22 | TRRFW_P | 02B | 01C | 03 | | | | | | | 22 | TRRFW_P | 04A | 09A | 02 | | | | | | 22 | | | | | | | | | |
| TRMLDV_P | 01A | 07E | 05 | | | | | | 22 | TRRFW_P | 02B | 01C | 03 | | | | | | | 22 | TRRFW_P | 04A | 09A | 02 | | | | | | 22 | | | | | | | | | |
| TRMLDV_P | 01A | 07E | 05 | | | | | | 22 | TRRFW_P | 02B | 01C | 03 | | | | | | | 22 | TRRFW_P | 04A | 09A | 02 | | | | | | 22 | | | | | | | | | |
| TRMLDV_P | 01A | 07E | 05 | | | | | | 22 | TRRFW_P | 02B | 01C | 03 | | | | | | | 22 | TRRFW_P | 04A | 09A | 02 | | | | | | 22 | | | | | | | | | |
| TRMLDV_P | 01A | 07E | 05 | | | | | | 22 | TRRFW_P | 02B | 01C | 03 | | | | | | | 22 | TRRFW_P | 04A | 09A | 02 | | | | | | 22 | | | | | | | | | |
| TRMLDV_P | 01A | 07E | 05 | | | | | | 22 | TRRFW_P | 02B | 01C | 03 | | | | | | | 22 | TRRFW_P | 04A | 09A | 02 | | | | | | 22 | | | | | | | | | |
| TRMLDV_P | 01A | 07E | 05 | | | | | | 22 | TRRFW_P | 02B | 01C | 03 | | | | | | | 22 | TRRFW_P | 04A | 09A | 02 | | | | | | 22 | | | | | | | | | |
| TRMLDV_P | 01A | 07E | 05 | | | | | | 22 | TRRFW_P | 02B | 01C | | | | | | | | | | | | | | | | | | | | | | | | | | | |

Table with columns: SIGNAL NAME, FR, SSC, DDM, PP, LBD, DWG, P, LAST, REV. Contains signal lists for ZUP04, ZUP05, ZUP06, ZUP07, ZUP08, ZUP09, ZUP0A, ZUP0B.

Table with columns: SIGNAL NAME, FR, SSC, DDM, PP, LBD, DWG, P, LAST, REV. Contains signal lists for ZG007, ZG008, ZG009, ZG00A, ZG00B, ZG00C, ZG00D, ZG00E, ZG00F, ZG00G, ZG00H, ZG00I, ZG00J, ZG00K, ZG00L, ZG00M, ZG00N, ZG00O, ZG00P, ZG00Q, ZG00R, ZG00S, ZG00T, ZG00U, ZG00V, ZG00W, ZG00X, ZG00Y, ZG00Z.

Table with columns: SIGNAL NAME, FR, SSC, DDM, PP, LBD, DWG, P, LAST, REV. Contains signal lists for ZV04AC, ZV05, ZV05BAT, ZV06BAT, ZV07, ZV08, ZV09, ZV10, ZV11, ZV12, ZV15, ZV24, ZV05, ZV06, ZV07, ZV08, ZV09, ZV10, ZV11, ZV12.

Table with columns: SIGNAL NAME, FR, SSC, DDM, PP, LBD, DWG, P, LAST, REV. Contains signal lists for ZG009C, ZG010, ZG010A, ZG010B, ZG010C, ZG010D, ZG010E, ZG010F, ZG010G, ZG010H, ZG010I, ZG010J, ZG010K, ZG010L, ZG010M, ZG010N, ZG010O, ZG010P, ZG010Q, ZG010R, ZG010S, ZG010T, ZG010U, ZG010V, ZG010W, ZG010X, ZG010Y, ZG010Z.

CONVEYANCE SIGNAL LIST JOB DRAWING NUMBER REV DATE FILE NAME ? 0086
716 EERTRAC#PROCESSOR 03800 27003873215
SIGNAL FR SSC DDM PP LBD DWG P LAST SIGNAL FR SSC DDM PP LBD DWG P LAST SIGNAL FR SSC DDM PP LBD DWG P LAST
NAME LOCATOR T REV NAME LOCATOR T REV NAME LOCATOR T REV

PAGE 0080

DOCUMENT END

INDEX:

SECTION V
CONDENSED SIGNAL LIST K70032831-319

This section contains the condensed mnemonic signal list of the signals in the Type 716 central processor.* The signals are arranged in alphabetical order. When a digit appears in the second position (and possibly successive positions) of a mnemonic, the mnemonic is placed at the beginning of that alphabetical listing. For example, E40SCT - appears in the E-listing, prior to EAUMAN+. The column headings of the listing and their meanings are as follows:

| | |
|---------------------|---|
| FR: | Always blank |
| SS: | Slot number in frame |
| C: | = A for all DIP pins (column DDM not blank) = A for left tongue of bottom connector (column DDM is blank) = B for right tongue of bottom connector (column DDM is blank) = J for all discrete components (DDM never blank) = T, U, or V for 3 tongues of top connector (DDM is blank) |
| DD: | DIP site column (or equivalent for discrete component) |
| M: | DIP site row (or equivalent for discrete component) |
| PP: | Pin number for DIP as connector; position in site for discrete component |
| LBD DWG LOCATOR: | Sheet number and geographical coordinate of the pin number |
| P: T: | Pin type: O for output I for input |
| LAST REV: | Last revision which affected this signal |

*For systems manufactured after February 1973.

| CONDENSED SIGNAL-LIST | | | | | | | | | | CONDENSED SIGNAL-LIST | | | | | | | | | | | | | | | | | | | |
|-----------------------|-----|-----|-----|----|-----------|-----|---|------|-----|-----------------------|-----|-----|-----|----|-----------|-----|---|------|-----|-------------|-----|-----|-----|----|---------|-----|---|------|-----|
| 716 CENTRAL PROCESSOR | | | | | | | | | | 716 CENTRAL PROCESSOR | | | | | | | | | | | | | | | | | | | |
| TDP DRAWING NUMBER | | | | | REV | | | | | TDP DRAWING NUMBER | | | | | REV | | | | | | | | | | | | | | |
| 03075 K70032831-319 | | | | | 10-15-75 | | | | | 03075 K70032831-319 | | | | | 10-15-75 | | | | | | | | | | | | | | |
| FILE NAME | | | | | FILE NAME | | | | | FILE NAME | | | | | FILE NAME | | | | | | | | | | | | | | |
| 716CPUX | | | | | 716CPUX | | | | | 716CPUX | | | | | 716CPUX | | | | | | | | | | | | | | |
| PAGE | | | | | PAGE | | | | | PAGE | | | | | PAGE | | | | | | | | | | | | | | |
| 0005 | | | | | 0005 | | | | | 0007 | | | | | 0007 | | | | | | | | | | | | | | |
| SIGNAL NAME | FR | SSC | DDM | PP | LBD | DWG | P | LAST | REV | SIGNAL NAME | FR | SSC | DDM | PP | LBD | DWG | P | LAST | REV | SIGNAL NAME | FR | SSC | DDM | PP | LBD | DWG | P | LAST | REV |
| AGB11G- | 03A | 02C | 04 | | 0122F01 | | I | 22 | | AJMPFI- | 01A | 17A | 04 | | 0129C07 | | I | 22 | | ALGAXZ- | 02A | 02F | 04 | | 0127D09 | | I | 22 | |
| | 03A | 02D | 02 | | 0122F03 | | I | 22 | | | 01A | 06A | 07 | | 0129B07 | | O | 22 | | | 02A | 04E | 03 | | 0127D11 | | I | 22 | |
| | 03A | 02E | 05 | | 0122F05 | | I | 22 | | | 03A | 03F | 04 | | 0119D09 | | O | B3 | | | 02A | 07B | 06 | | 0117B01 | | I | 22 | |
| | 03A | 10D | 06 | | 0122E10 | | I | 22 | | | 03A | 03F | 05 | | 0119D10 | | O | B2 | | | 01A | 11E | 07 | | 0128E07 | | O | 22 | |
| | 03A | 10E | 03 | | 0122E03 | | O | 22 | | | 03A | 03F | 06 | | 0119D06 | | O | B2 | | | 01A | 12G | 08 | | 0128F07 | | I | 22 | |
| AGB14G+ | 07A | 06D | 06 | | 0124A06 | | O | A5 | | | 03A | 07F | 05 | | 0119D08 | | O | B2 | | | 01A | 13B | 07 | | 0129F09 | | O | 22 | |
| | 07A | 07D | 06 | | 0124B02 | | I | A5 | | | 03A | 03F | 03 | | 0119D09 | | O | B3 | | | 01A | 12G | 08 | | 0128F07 | | I | 22 | |
| | 07A | 08D | 04 | | 0124B05 | | I | A5 | | | 03A | 03F | 04 | | 0119D10 | | O | B2 | | | 01A | 12G | 08 | | 0128F07 | | I | 22 | |
| AGBNFG- | 06A | 04A | 06 | | 0126F06 | | O | 22 | | | 03A | 03F | 05 | | 0119D05 | | O | B2 | | | 01A | 12G | 08 | | 0128F07 | | I | 22 | |
| | 06A | 04C | 02 | | 0126F04 | | I | 22 | | | 03A | 03F | 06 | | 0119D06 | | O | B2 | | | 01A | 12G | 08 | | 0128F07 | | I | 22 | |
| AGE101- | 03A | 21C | 04 | | 0123E06 | | I | 22 | | | 03A | 03F | 07 | | 0119D07 | | O | B2 | | | 01A | 12G | 08 | | 0128F07 | | I | 22 | |
| | 03A | 22B | 03 | | 0123E06 | | I | 22 | | | 03A | 03F | 08 | | 0119D08 | | O | B2 | | | 01A | 12G | 08 | | 0128F07 | | I | 22 | |
| AGE102- | 03A | 18D | 05 | | 0123G08 | | I | 22 | | | 03A | 03F | 09 | | 0119D09 | | O | B2 | | | 01A | 12G | 08 | | 0128F07 | | I | 22 | |
| | 03A | 19C | 03 | | 0123E08 | | I | 22 | | | 03A | 03F | 10 | | 0119D10 | | O | B2 | | | 01A | 12G | 08 | | 0128F07 | | I | 22 | |
| | 03A | 21C | 02 | | 0123E06 | | I | 22 | | | 03A | 03F | 11 | | 0119D11 | | O | B2 | | | 01A | 12G | 08 | | 0128F07 | | I | 22 | |
| | 03A | 19C | 04 | | 0123E08 | | I | 22 | | | 03A | 03F | 12 | | 0119D12 | | O | B2 | | | 01A | 12G | 08 | | 0128F07 | | I | 22 | |
| | 03A | 21C | 02 | | 0123E06 | | I | 22 | | | 03A | 03F | 13 | | 0119D13 | | O | B2 | | | 01A | 12G | 08 | | 0128F07 | | I | 22 | |
| | 03A | 19C | 04 | | 0123E08 | | I | 22 | | | 03A | 03F | 14 | | 0119D14 | | O | B2 | | | 01A | 12G | 08 | | 0128F07 | | I | 22 | |
| | 03A | 21C | 02 | | 0123E06 | | I | 22 | | | 03A | 03F | 15 | | 0119D15 | | O | B2 | | | 01A | 12G | 08 | | 0128F07 | | I | 22 | |
| | 03A | 19C | 04 | | 0123E08 | | I | 22 | | | 03A | 03F | 16 | | 0119D16 | | O | B2 | | | 01A | 12G | 08 | | 0128F07 | | I | 22 | |
| | 03A | 21C | 02 | | 0123E06 | | I | 22 | | | 03A | 03F | 17 | | 0119D17 | | O | B2 | | | 01A | 12G | 08 | | 0128F07 | | I | 22 | |
| | 03A | 19C | 04 | | 0123E08 | | I | 22 | | | 03A | 03F | 18 | | 0119D18 | | O | B2 | | | 01A | 12G | 08 | | 0128F07 | | I | 22 | |
| | 03A | 21C | 02 | | 0123E06 | | I | 22 | | | 03A | 03F | 19 | | 0119D19 | | O | B2 | | | 01A | 12G | 08 | | 0128F07 | | I | 22 | |
| | 03A | 19C | 04 | | 0123E08 | | I | 22 | | | 03A | 03F | 20 | | 0119D20 | | O | B2 | | | 01A | 12G | 08 | | 0128F07 | | I | 22 | |
| | 03A | 21C | 02 | | 0123E06 | | I | 22 | | | 03A | 03F | 21 | | 0119D21 | | O | B2 | | | 01A | 12G | 08 | | 0128F07 | | I | 22 | |
| | 03A | 19C | 04 | | 0123E08 | | I | 22 | | | 03A | 03F | 22 | | 0119D22 | | O | B2 | | | 01A | 12G | 08 | | 0128F07 | | I | 22 | |
| | 03A | 21C | 02 | | 0123E06 | | I | 22 | | | 03A | 03F | 23 | | 0119D23 | | O | B2 | | | 01A | 12G | 08 | | 0128F07 | | I | 22 | |
| | 03A | 19C | 04 | | 0123E08 | | I | 22 | | | 03A | 03F | 24 | | 0119D24 | | O | B2 | | | 01A | 12G | 08 | | 0128F07 | | I | 22 | |
| | 03A | 21C | 02 | | 0123E06 | | I | 22 | | | 03A | 03F | 25 | | 0119D25 | | O | B2 | | | 01A | 12G | 08 | | 0128F07 | | I | 22 | |
| | 03A | 19C | 04 | | 0123E08 | | I | 22 | | | 03A | 03F | 26 | | 0119D26 | | O | B2 | | | 01A | 12G | 08 | | 0128F07 | | I | 22 | |
| | 03A | 21C | 02 | | 0123E06 | | I | 22 | | | 03A | 03F | 27 | | 0119D27 | | O | B2 | | | 01A | 12G | 08 | | 0128F07 | | I | 22 | |
| | 03A | 19C | 04 | | 0123E08 | | I | 22 | | | 03A | 03F | 28 | | 0119D28 | | O | B2 | | | 01A | 12G | 08 | | 0128F07 | | I | 22 | |
| | 03A | 21C | 02 | | 0123E06 | | I | 22 | | | 03A | 03F | 29 | | 0119D29 | | O | B2 | | | 01A | 12G | 08 | | 0128F07 | | I | 22 | |
| | 03A | 19C | 04 | | 0123E08 | | I | 22 | | | 03A | 03F | 30 | | 0119D30 | | O | B2 | | | 01A | 12G | 08 | | 0128F07 | | I | 22 | |
| | 03A | 21C | 02 | | 0123E06 | | I | 22 | | | 03A | 03F | 31 | | 0119D31 | | O | B2 | | | 01A | 12G | 08 | | 0128F07 | | I | 22 | |
| | 03A | 19C | 04 | | 0123E08 | | I | 22 | | | 03A | 03F | 32 | | 0119D32 | | O | B2 | | | 01A | 12G | 08 | | 0128F07 | | I | 22 | |
| | 03A | 21C | 02 | | 0123E06 | | I | 22 | | | 03A | 03F | 33 | | 0119D33 | | O | B2 | | | 01A | 12G | 08 | | 0128F07 | | I | 22 | |
| | 03A | 19C | 04 | | 0123E08 | | I | 22 | | | 03A | 03F | 34 | | 0119D34 | | O | B2 | | | 01A | 12G | 08 | | 0128F07 | | I | 22 | |
| | 03A | 21C | 02 | | 0123E06 | | I | 22 | | | 03A | 03F | 35 | | 0119D35 | | O | B2 | | | 01A | 12G | 08 | | 0128F07 | | I | 22 | |
| | 03A | 19C | 04 | | 0123E08 | | I | 22 | | | 03A | 03F | 36 | | 0119D36 | | O | B2 | | | 01A | 12G | 08 | | 0128F07 | | I | 22 | |
| | 03A | 21C | 02 | | 0123E06 | | I | 22 | | | 03A | 03F | 37 | | 0119D37 | | O | B2 | | | 01A | 12G | 08 | | 0128F07 | | I | 22 | |
| | 03A | 19C | 04 | | 0123E08 | | I | 22 | | | 03A | 03F | 38 | | 0119D38 | | O | B2 | | | 01A | 12G | 08 | | 0128F07 | | I | 22 | |
| | 03A | 21C | 02 | | 0123E06 | | I | 22 | | | 03A | 03F | 39 | | 0119D39 | | O | B2 | | | 01A | 12G | 08 | | 0128F07 | | I | 22 | |
| | 03A | 19C | 04 | | 0123E08 | | I | 22 | | | 03A | 03F | 40 | | 0119D40 | | O | B2 | | | 01A | 12G | 08 | | 0128F07 | | I | 22 | |
| | 03A | 21C | 02 | | 0123E06 | | I | 22 | | | 03A | 03F | 41 | | 0119D41 | | O | B2 | | | 01A | 12G | 08 | | 0128F07 | | I | 22 | |
| | 03A | 19C | 04 | | 0123E08 | | I | 22 | | | 03A | 03F | 42 | | 0119D42 | | O | B2 | | | 01A | 12G | 08 | | 0128F07 | | I | 22 | |
| | 03A | 21C | 02 | | 0123E06 | | I | 22 | | | 03A | 03F | 43 | | 0119D43 | | O | B2 | | | 01A | 12G | 08 | | 0128F07 | | I | 22 | |
| | 03A | 19C | 04 | | 0123E08 | | I | 22 | | | 03A | 03F | 44 | | 0119D44 | | O | B2 | | | 01A | 12G | 08 | | 0128F07 | | I | 22 | |
| | 03A | 21C | 02 | | 0123E06 | | I | 22 | | | 03A | 03F | 45 | | 0119D45 | | O | B2 | | | 01A | 12G | 08 | | 0128F07 | | I | 22 | |
| | 03A | 19C | 04 | | 0123E08 | | I | 22 | | | 03A | 03F | 46 | | 0119D46 | | O | B2 | | | 01A | 12G | 08 | | 0128F07 | | I | 22 | |
| | 03A | 21C | 02 | | 0123E06 | | I | 22 | | | 03A | 03F | 47 | | 0119D47 | | O | B2 | | | 01A | 12G | 08 | | 0128F07 | | I | 22 | |
| | 03A | 19C | 04 | | 0123E08 | | I | 22 | | | 03A | 03F | 48 | | 0119D48 | | O | B2 | | | 01 | | | | | | | | |

| CONDENSED SIGNAL-LIST 716 CENTRAL PROCESSOR | | | | | | | | | | TDP DRAWING NUMBER 03075 K70032831-319 | | | | REV F 10-15-75 | | | | FILE NAME 716CPURX | | | | PAGE 0013 | |
|--|-----|-----|-----|---------|-----|-----|---|------|-----|---|-----|-----|---------|-------------------|-----|-----|---|-----------------------|-----|--|--|--------------|--|
| SIGNAL NAME | FR | SSC | DDM | PP | LBD | DWG | P | LAST | REV | SIGNAL NAME | FR | SSC | DDM | PP | LBD | DWG | P | LAST | REV | | | | |
| BDAT09- | 07A | 10A | 07 | 0109E04 | O | A2 | | | | BDAT16- | 05A | 01G | 02 | 0148C04 | I | 22 | | | | | | | |
| BDAT10- | 07A | 09A | 08 | 0110E04 | O | A3 | | | | BDMAP0- | 20A | 05 | 0051E06 | O | B3 | | | | | | | | |
| BDAT11- | 07A | 05A | 04 | 0111E04 | O | A2 | | | | BDMAP1- | 20A | 06 | 0051E06 | I | B3 | | | | | | | | |
| BDAT12- | 07A | 10A | 03 | 0112E04 | O | A2 | | | | BDMAP2- | 20A | 07 | 0051E06 | I | B3 | | | | | | | | |
| BDAT13- | 07A | 08A | 07 | 0113E04 | O | A2 | | | | BDMAP3- | 20A | 08 | 0051E06 | I | B3 | | | | | | | | |
| BDAT14- | 07A | 06A | 03 | 0114E04 | O | A2 | | | | BDMAP4- | 20A | 09 | 0051E06 | I | B3 | | | | | | | | |
| BDAT15- | 07A | 07A | 04 | 0115E04 | O | A2 | | | | BDMAP5- | 20A | 10 | 0051E06 | I | B3 | | | | | | | | |
| BDAT16- | 05A | 01G | 02 | 0148C04 | I | 22 | | | | BDMAP6- | 20A | 11 | 0051E06 | I | B3 | | | | | | | | |

PAGE 0013

DOCUMENT CONTINUED

INDEX: BDAT09-

| CONDENSED SIGNAL-LIST 716 CENTRAL PROCESSOR | | | | | | | | | | TDP DRAWING NUMBER 03075 K70032831-319 | | | | REV F 10-15-75 | | | | FILE NAME 716CPURX | | | | PAGE 0015 | | | | | | | |
|--|-----|-----|-----|----|-----|-----|---|------|-----|---|-----|-----|-----|-------------------|-----|-----|---|-----------------------|-----|----------|----------|--------------|----|---|--|--|--|--|--|
| SIGNAL NAME | FR | SSC | DDM | PP | LBD | DWG | P | LAST | REV | SIGNAL NAME | FR | SSC | DDM | PP | LBD | DWG | P | LAST | REV | | | | | | | | | | |
| CON07B64 | 07B | 64 | / | | | | | | | CON08V14 | 08V | 14 | / | | | | | | | CON09U23 | 09U | 23 | / | | | | | | |
| CON07B65 | 07B | 65 | / | | | | | | | CON08V15 | 08V | 15 | / | | | | | | | | CON09U27 | 09U | 27 | / | | | | | |
| CON07B66 | 07B | 66 | / | | | | | | | CON08V19 | 08V | 19 | / | | | | | | | | CON09U35 | 09U | 35 | / | | | | | |
| CON07B67 | 07B | 67 | / | | | | | | | CON08V21 | 08V | 21 | / | | | | | | | | CON09U43 | 09U | 43 | / | | | | | |
| CON07B68 | 07B | 68 | / | | | | | | | CON08V22 | 08V | 22 | / | | | | | | | | CON09U45 | 09U | 45 | / | | | | | |
| CON07B69 | 07B | 69 | / | | | | | | | CON08V23 | 08V | 23 | / | | | | | | | | CON09V02 | 09V | 02 | / | | | | | |
| CON08B45 | 08B | 45 | / | | | | | | | CON08V24 | 08V | 24 | / | | | | | | | | CON09V03 | 09V | 03 | / | | | | | |
| CON08T10 | 08T | 10 | / | | | | | | | CON08V26 | 08V | 26 | / | | | | | | | | CON09V08 | 09V | 08 | / | | | | | |
| CON08T14 | 08T | 14 | / | | | | | | | CON08V29 | 08V | 29 | / | | | | | | | | CON09V11 | 09V | 11 | / | | | | | |
| CON08T18 | 08T | 18 | / | | | | | | | CON08V34 | 08V | 34 | / | | | | | | | | CON09V13 | 09V | 13 | / | | | | | |
| CON08T42 | 08T | 42 | / | | | | | | | CON08V35 | 08V | 35 | / | | | | | | | | CON09V14 | 09V | 14 | / | | | | | |
| CON08T43 | 08T | 43 | / | | | | | | | CON08V36 | 08V | 36 | / | | | | | | | | CON09V15 | 09V | 15 | / | | | | | |
| CON08T51 | 08T | 51 | / | | | | | | | CON08V39 | 08V | 39 | / | | | | | | | | CON09V19 | 09V | 19 | / | | | | | |
| CON08U06 | 08U | 06 | / | | | | | | | CON08V42 | 08V | 42 | / | | | | | | | | CON09V21 | 09V | 21 | / | | | | | |
| CON08U14 | 08U | 14 | / | | | | | | | CON08V43 | 08V | 43 | / | | | | | | | | CON09V22 | 09V | 22 | / | | | | | |
| CON08U18 | 08U | 18 | / | | | | | | | CON08V44 | 08V | 44 | / | | | | | | | | CON09V23 | 09V | 23 | / | | | | | |
| CON08U19 | 08U | 19 | / | | | | | | | CON08V51 | 09B | 51 | / | | | | | | | | CON09B55 | 09B | 55 | / | | | | | |
| CON08U21 | 08U | 21 | / | | | | | | | CON08V55 | 09B | 55 | / | | | | | | | | CON09B59 | 09B | 59 | / | | | | | |
| CON08U23 | 08U | 23 | / | | | | | | | CON09T10 | 09T | 10 | / | | | | | | | | CON09V24 | 09V | 24 | / | | | | | |
| CON08U27 | 08U | 27 | / | | | | | | | CON09T14 | 09T | 14 | / | | | | | | | | CON09V26 | 09V | 26 | / | | | | | |
| CON08U35 | 08U | 35 | / | | | | | | | CON09T18 | 09T | 18 | / | | | | | | | | CON09V29 | 09V | 29 | / | | | | | |
| CON08U43 | 08U | 43 | / | | | | | | | CON09T27 | 09T | 27 | / | | | | | | | | CON09V34 | 09V | 34 | / | | | | | |
| CON08U45 | 08U | 45 | / | | | | | | | CON09T35 | 09T | 35 | / | | | | | | | | CON09V36 | 09V | 36 | / | | | | | |
| CON08U50 | 08U | 50 | / | | | | | | | CON09T42 | 09T | 42 | / | | | | | | | | CON09V39 | 09V | 39 | / | | | | | |
| CON08U51 | 08U | 51 | / | | | | | | | CON09T43 | 09T | 43 | / | | | | | | | | CON09V42 | 09V | 42 | / | | | | | |
| CON08V02 | 08V | 02 | / | | | | | | | CON09T51 | 09T | 51 | / | | | | | | | | CON09V43 | 09V | 43 | / | | | | | |
| CON08V03 | 08V | 03 | / | | | | | | | CON09U06 | 09U | 06 | / | | | | | | | | CON09V45 | 09V | 45 | / | | | | | |
| CON08V11 | 08V | 11 | / | | | | | | | CON09U14 | 09U | 14 | / | | | | | | | | CON10A25 | 10A | 25 | / | | | | | |
| CON08V18 | 08V | 18 | / | | | | | | | CON09U18 | 09U | 18 | / | | | | | | | | CON10B63 | 10B | 63 | / | | | | | |
| CON08V19 | 08V | 19 | / | | | | | | | CON09U19 | 09U | 19 | / | | | | | | | | CON10T01 | 10T | 01 | / | | | | | |
| CON08V21 | 08V | 21 | / | | | | | | | CON09U21 | 09U | 21 | / | | | | | | | | | | | | | | | | |

PAGE 0015

DOCUMENT CONTINUED

INDEX: CON07B64

| CONDENSED SIGNAL-LIST 716 CENTRAL PROCESSOR | | | | | | | | | | TDP DRAWING NUMBER 03075 K70032831-319 | | | | REV F 10-15-75 | | | | FILE NAME 716CPURX | | | | PAGE 0014 | |
|--|-----|-----|-----|---------|-----|-----|---|------|-----|---|-----|-----|-----|-------------------|-----|-----|---|-----------------------|-----|--|--|--------------|--|
| SIGNAL NAME | FR | SSC | DDM | PP | LBD | DWG | P | LAST | REV | SIGNAL NAME | FR | SSC | DDM | PP | LBD | DWG | P | LAST | REV | | | | |
| BRITNX- | 04A | 10C | 02 | 0146D07 | I | A2 | | | | CMDFW+ | 10A | 20B | 05 | 0111B11 | I | 22 | | | | | | | |
| BROENB- | 04A | 07A | 04 | 0135G03 | O | A2 | | | | CMDFW- | 01A | 02E | 01 | 0128B06 | O | E1 | | | | | | | |
| BSROPT+ | 01A | 16A | 01 | 0129G08 | I | G1 | | | | CMDFW+ | 01A | 01C | 02 | 0128G01 | O | D2 | | | | | | | |
| BSTART- | 05A | 19G | 02 | 0134A08 | I | A2 | | | | CON01A19 | 01A | 19 | / | | | | | | | | | | |
| BSTROB+ | 05A | 01B | 03 | 0128E11 | O | 23 | | | | CON02A01 | 02A | 01 | / | | | | | | | | | | |
| BSTROB- | 05A | 02F | 05 | 0147C04 | O | 23 | | | | CON02A05 | 02A | 05 | / | | | | | | | | | | |
| COEAMD+ | 07A | 13A | 07 | 0124G09 | O | 22 | | | | CON02A21 | 02A | 21 | / | | | | | | | | | | |
| CMDFW+ | 01A | 02E | 04 | 0128B06 | O | E1 | | | | CON02A51 | 02A | 51 | / | | | | | | | | | | |
| | 01A | 01C | 02 | 0128G01 | O | D2 | | | | CON02B13 | 02B | 13 | / | | | | | | | | | | |
| | 01A | 01C | 03 | 0128G01 | O | D2 | | | | | | | | | | | | | | | | | |
| | 01A | 01C | 06 | 0128G01 | O | D2 | | | | | | | | | | | | | | | | | |
| | 01A | 06D | 06 | 0128F01 | O | C9 | | | | | | | | | | | | | | | | | |
| | 01A | 19 | / | | | | | | | | | | | | | | | | | | | | |
| | 02A | 01 | / | | | | | | | | | | | | | | | | | | | | |
| | 02A | 05 | / | | | | | | | | | | | | | | | | | | | | |
| | 02A | 21 | / | | | | | | | | | | | | | | | | | | | | |
| | 02A | 51 | / | | | | | | | | | | | | | | | | | | | | |
| | 02B | 13 | / | | | | | | | | | | | | | | | | | | | | |

PAGE 0014

DOCUMENT CONTINUED

INDEX: BRITNX-

| CONDENSED SIGNAL-LIST 716 CENTRAL PROCESSOR | | | | | | | | | | TDP DRAWING NUMBER 03075 K70032831-319 | | | | REV F 10-15-75 | | | | FILE NAME 716CPURX | | | | PAGE 0016 | |
|--|-----|-----|-----|----|-----|-----|---|------|-----|---|-----|-----|-----|-------------------|-----|-----|---|-----------------------|-----|--|--|--------------|--|
| SIGNAL NAME | FR | SSC | DDM | PP | LBD | DWG | P | LAST | REV | SIGNAL NAME | FR | SSC | DDM | PP | LBD | DWG | P | LAST | REV | | | | |
| CON10T07 | 10T | 07 | / | | | | | | | CON10U52 | 10U | 52 | / | | | | | | | | | | |
| CON10T08 | 10T | 08 | / | | | | | | | CON11T11 | 11T | 11 | / | | | | | | | | | | |
| CON10T11 | 10T | 11 | / | | | | | | | CON11T15 | 11T | 15 | / | | | | | | | | | | |
| CON10T15 | 10T | 15 | / | | | | | | | CON11T20 | 11T | 20 | / | | | | | | | | | | |
| CON10T20 | 10T | 20 | / | | | | | | | CON11T21 | 11T | 21 | / | | | | | | | | | | |
| CON10T21 | 10T | 21 | / | | | | | | | | | | | | | | | | | | | | |

| CONDENSED SIGNAL-LIST | | | | | | | | | | | TDP DRAWING NUMBER | | | | REV DATE FILE NAME | | | | PAGE | | | | | | | | | | |
|-----------------------|-----|-----|-----|----|---------|-----|---|------|-------------|-----|---------------------|-----|----|---------|--------------------|---|------|-------------|------|-----|-----|----|---------|-----|---|------|----|--|--|
| 716 CENTRAL PROCESSOR | | | | | | | | | | | 03075 K70032831-319 | | | | 10-15-75 716CPUXA | | | | 0021 | | | | | | | | | | |
| SIGNAL NAME | FR | SSC | DDM | PP | LBD | DWG | P | LAST | SIGNAL NAME | FR | SSC | DDM | PP | LBD | DWG | P | LAST | SIGNAL NAME | FR | SSC | DDM | PP | LBD | DWG | P | LAST | | | |
| | | | | | LOCATOR | | | REV | | | | | | LOCATOR | | | REV | | | | | | | | | REV | | | |
| ENRFAM- | 04A | 09B | 03 | | 0129D01 | | | 22 | ENRPFM+ | 10T | 04C | 40 | | 0119G03 | | | 24 | ERAAUW+A | 10A | 18G | 03 | | 0119G03 | | | 23 | | | |
| | 04A | 12B | 03 | | 0129E01 | | | 22 | | 11A | 04C | 07 | | 0112E11 | | | 22 | | | | | | | | | | | | |
| | 04A | 12B | 04 | | 0129E01 | | | 22 | | 11A | 04C | 07 | | 0112E11 | | | 22 | | | | | | | | | | | | |
| | 04A | 12B | 04 | | 0129E01 | | | 22 | | 11A | 04C | 07 | | 0112E11 | | | 22 | | | | | | | | | | | | |
| | 04A | 19G | 06 | | 0129E03 | | | 22 | | 11A | 04C | 07 | | 0112E11 | | | 22 | | | | | | | | | | | | |
| | 04A | 19G | 06 | | 0129E03 | | | 22 | | 11A | 04C | 07 | | 0112E11 | | | 22 | | | | | | | | | | | | |
| ENRA01+ | 03A | 13C | 03 | | 0122G08 | | | 22 | ENSTOV+ | 02A | 15G | 04 | | 0124C10 | | | B3 | ERABDW+ | 07A | 01C | 07 | | 0138G03 | | | | 22 | | |
| | 03A | 13C | 03 | | 0122G09 | | | 22 | | 02A | 17G | 03 | | 0124C10 | | | B3 | | | | | | | | | | | | |
| ENRAF+ | 03A | 09D | 07 | | 0122E10 | | | 22 | EOTBDW+ | 07A | 03C | 01 | | 0134G11 | | | 22 | | | | | | | | | | | | |
| | 03A | 14A | 07 | | 0122E10 | | | 22 | | 07A | 03C | 01 | | 0134G11 | | | 22 | | | | | | | | | | | | |
| | 03A | 14A | 07 | | 0122E10 | | | 22 | | 07A | 03C | 01 | | 0134G11 | | | 22 | | | | | | | | | | | | |
| | 03A | 14D | 05 | | 0122F10 | | | 22 | | 07A | 05A | 03 | | 0134E04 | | | 22 | | | | | | | | | | | | |
| | 03A | 14D | 05 | | 0122F10 | | | 22 | | 07A | 05A | 03 | | 0134E04 | | | 22 | | | | | | | | | | | | |
| ENRAF-0 | 02A | 17B | 07 | | 0122D10 | | | 22 | | 07A | 08A | 06 | | 0134E04 | | | 22 | | | | | | | | | | | | |
| | 02B | | | | | | | | | 07A | 08A | 06 | | 0134E04 | | | 22 | | | | | | | | | | | | |
| | 03A | 10D | 22 | | 0122E10 | | | 22 | | 07A | 08A | 06 | | 0134E04 | | | 22 | | | | | | | | | | | | |
| ENRAF-1 | 03A | 09C | 07 | | 0122D11 | | | 22 | | 07A | 08A | 06 | | 0134E04 | | | 22 | | | | | | | | | | | | |
| | 03A | 09D | 03 | | 0122E10 | | | 22 | | 07A | 13A | 04 | | 0136G10 | | | 22 | | | | | | | | | | | | |
| ENRAF- | 03A | 14C | 02 | | 0122F09 | | | 22 | EOTBDW+A | 07A | 03A | 03 | | 0107E04 | | | 22 | ERABDW- | 05A | 01D | 07 | | 0138F09 | | | | 22 | | |
| | 03A | 14D | 06 | | 0122F10 | | | 22 | | 07A | 03A | 03 | | 0107E04 | | | 22 | | | | | | | | | | | | |
| ENRBF+ | 03A | 03A | 07 | | 0123F03 | | | 22 | | 07A | 04A | 02 | | 0103F04 | | | 22 | ERBAUW+ | 01A | 08A | 03 | | 0127D06 | | | | 22 | | |
| | 03A | 13A | 08 | | 0123G02 | | | 22 | | 07A | 04A | 06 | | 0105E04 | | | 22 | | | | | | | | | | | | |
| | 03B | | | | | | | | | 07A | 04A | 06 | | 0105E04 | | | 22 | | | | | | | | | | | | |
| | 08A | 01C | 06 | | 0101C01 | | | 22 | | 07A | 04A | 06 | | 0105E04 | | | 22 | | | | | | | | | | | | |
| | 08A | 02C | 01 | | 0101C01 | | | 22 | | 07A | 04A | 06 | | 0105E04 | | | 22 | | | | | | | | | | | | |
| ENRBF-0 | 01A | 09A | 07 | | 0123E04 | | | 22 | EPAROT+ | 04A | 08A | 01 | | 0136C04 | | | 22 | ERBAUW+ | 01A | 08A | 03 | | 0127D06 | | | | 22 | | |
| | 01A | 09A | 07 | | 0123E04 | | | 22 | | 04A | 08A | 01 | | 0136C04 | | | 22 | | | | | | | | | | | | |
| | 03A | 03A | 03 | | 0123F03 | | | 22 | ERAAUW+ | 02A | 01F | 07 | | 0127D09 | | | 22 | | | | | | | | | | | | |
| | 03A | 06 | | | | | | | | 02A | 08D | 07 | | 0101G03 | | | 22 | | | | | | | | | | | | |
| ENRPF+ | 02A | 03A | 07 | | 0129C09 | | | 22 | | 02A | 08D | 07 | | 0101G03 | | | 22 | | | | | | | | | | | | |
| | 02A | 04G | 07 | | 0102E11 | | | 22 | | 02A | 08D | 07 | | 0101G03 | | | 22 | | | | | | | | | | | | |
| | 08A | 04G | 07 | | 0103E11 | | | 22 | | 02A | 08D | 07 | | 0101G03 | | | 22 | | | | | | | | | | | | |
| | 08A | 04G | 07 | | 0104E11 | | | 22 | | 02A | 08D | 07 | | 0101G03 | | | 22 | | | | | | | | | | | | |
| | 08B | | | | | | | | | 02A | 08D | 07 | | 0101G03 | | | 22 | | | | | | | | | | | | |
| | 09A | 04D | 07 | | 0105E11 | | | 22 | | 02A | 08D | 07 | | 0101G03 | | | 22 | | | | | | | | | | | | |
| | 09A | 04D | 07 | | 0106E11 | | | 22 | | 02A | 08D | 07 | | 0101G03 | | | 22 | | | | | | | | | | | | |
| | 09A | 04D | 07 | | 0108E11 | | | 22 | | 02A | 08D | 07 | | 0101G03 | | | 22 | | | | | | | | | | | | |
| | 09A | 04D | 07 | | 0108E11 | | | 22 | | 02A | 08D | 07 | | 0101G03 | | | 22 | | | | | | | | | | | | |
| | 09A | 04D | 07 | | 0109E11 | | | 22 | ERAAUW+A | 02A | 03E | 07 | | 0127D11 | | | 22 | | | | | | | | | | | | |
| | 10A | 06G | 07 | | 0110E11 | | | 22 | | 10A | 14E | 05 | | 0117G03 | | | 22 | | | | | | | | | | | | |
| | 10A | 06G | 07 | | 0111E11 | | | 22 | | 10A | 14E | 05 | | 0117G03 | | | 22 | | | | | | | | | | | | |
| | 10A | 06G | 07 | | 0112E11 | | | 22 | | 10A | 14E | 05 | | 0117G03 | | | 22 | | | | | | | | | | | | |
| | 10A | 06G | 07 | | 0112E11 | | | 22 | | 10A | 18F | 03 | | 0109G03 | | | 22 | | | | | | | | | | | | |

| CONDENSED SIGNAL-LIST | | | | | | | | | | | TDP DRAWING NUMBER | | | | REV DATE FILE NAME | | | | PAGE | | | | | | | | |
|-----------------------|-----|-----|-----|----|---------|-----|---|------|-------------|-----|---------------------|-----|----|---------|--------------------|---|------|-------------|------|-----|-----|----|---------|-----|---|------|--|
| 716 CENTRAL PROCESSOR | | | | | | | | | | | 03075 K70032831-319 | | | | 10-15-75 716CPUXA | | | | 0023 | | | | | | | | |
| SIGNAL NAME | FR | SSC | DDM | PP | LBD | DWG | P | LAST | SIGNAL NAME | FR | SSC | DDM | PP | LBD | DWG | P | LAST | SIGNAL NAME | FR | SSC | DDM | PP | LBD | DWG | P | LAST | |
| | | | | | LOCATOR | | | REV | | | | | | LOCATOR | | | REV | | | | | | | | | REV | |
| ERMAL+ | 06A | 20A | 06 | | 0129G04 | | | 22 | ERMAL+ | 06A | 20A | 06 | | 0129G04 | | | 22 | ERMAL+ | 06A | 20A | 06 | | 0129G04 | | | 22 | |
| | 06B | | | | | | | | | 06B | 22A | 05 | | 0108F08 | | | 22 | | | | | | | | | | |
| | 09A | 09B | 02 | | 0102E05 | | | 22 | | 09A | 09B | 02 | | 0102E05 | | | 22 | | | | | | | | | | |
| | 09A | 09B | 02 | | 0103E05 | | | 22 | | 09A | 09B | 02 | | 0103E05 | | | 22 | | | | | | | | | | |
| | 09A | 09B | 02 | | 0104E05 | | | 22 | | 09A | 09B | 02 | | 0104E05 | | | 22 | | | | | | | | | | |
| | 09A | 09B | 02 | | 0105E05 | | | 22 | | 09A | 09B | 02 | | 0105E05 | | | 22 | | | | | | | | | | |
| | 09A | 09B | 02 | | 0106E05 | | | 22 | | 09A | 09B | 02 | | 0106E05 | | | 22 | | | | | | | | | | |
| | 09A | 09B | 02 | | 0107E05 | | | 22 | | 09A | 09B | 02 | | 0107E05 | | | 22 | | | | | | | | | | |
| | 09A | 09B | 02 | | 0108E05 | | | 22 | | 09A | 09B | 02 | | 0108E05 | | | 22 | | | | | | | | | | |
| | 09A | 09B | 02 | | 0109E05 | | | 22 | | 09A | 09B | 02 | | 0109E05 | | | 22 | | | | | | | | | | |
| | 10A | 04E | 06 | | 0106E05 | | | 22 | ERMAL+ | 02A | 07A | 07 | | 0129D05 | | | 22 | | | | | | | | | | |
| | 10A | 04E | 06 | | 0106E05 | | | 22 | | 02A | 07A | 07 | | 0129D05 | | | 22 | | | | | | | | | | |
| | 10A | 04E | 06 | | 0106E05 | | | 22 | | 02A | 07A | 07 | | 0129D05 | | | 22 | | | | | | | | | | |
| | 10A | 04E | 06 | | 0106E05 | | | 22 | | 02 | | | | | | | | | | | | | | | | | |

| CONDENSED SIGNAL-LIST 716 CENTRAL PROCESSOR | | | | | | | | | | TDP DRAWING NUMBER 03075 K70032831-319 | | | | | | | | | | REV DATE FILE NAME S PAGE F 10-15-75 716CPUXX F 0040 | | | | | | | | | | |
|--|-----|-----|---------|---------|-----|-----|---|------|-----|---|-----|-----|---------|---------|-----|-----|---|------|-----|---|---------|-----|-----|---------|---------|-----|----|------|-----|--|
| SIGNAL NAME | FR | SSC | DDM | PP | LBD | DWG | P | LAST | REV | SIGNAL NAME | FR | SSC | DDM | PP | LBD | DWG | P | LAST | REV | SIGNAL NAME | FR | SSC | DDM | PP | LBD | DWG | P | LAST | REV | |
| LRMIN1+ | 01A | 15G | 07 | 0128F04 | 0 | 22 | | | | LRMIN4+ | 08A | 13G | 08 | 0103B08 | I | A3 | | | | | LRMCNT+ | 10A | 02C | 07 | 0109G08 | I | A3 | | | |
| 01B | 25 | | | | | | | | | 08A | 15D | 08 | 0101B08 | I | A3 | | | | | | 10A | 02C | 07 | 0110G08 | I | A3 | | | | |
| 08A | 13D | 07 | 0102B08 | I | A3 | | | | | 08A | 15G | 08 | 0104B08 | I | A3 | | | | | | 08A | 09D | 08 | 0105B08 | I | A3 | | | | |
| 08A | 13G | 06 | 0103B08 | I | A3 | | | | | 08A | 09G | 08 | 0106B08 | I | A3 | | | | | | 08A | 11D | 07 | 0108B08 | I | A3 | | | | |
| 08A | 15D | 06 | 0101B08 | I | A3 | | | | | 08A | 15G | 06 | 0104B08 | I | A3 | | | | | | 08A | 13E | 07 | 0107B08 | I | A3 | | | | |
| 08A | 15G | 06 | 0104B08 | I | A3 | | | | | 09A | 09D | 06 | 0105B08 | I | A3 | | | | | | 09A | 09G | 06 | 0106B08 | I | A3 | | | | |
| 09A | 09D | 06 | 0105B08 | I | A3 | | | | | 09A | 09G | 06 | 0106B08 | I | A3 | | | | | | 09A | 11D | 07 | 0108B08 | I | A3 | | | | |
| 09A | 09G | 06 | 0106B08 | I | A3 | | | | | 09A | 13E | 07 | 0107B08 | I | A3 | | | | | | 09A | 15G | 06 | 0104B08 | I | A3 | | | | |
| 09A | 11D | 07 | 0108B08 | I | A3 | | | | | 09A | 15E | 08 | 0107B08 | I | A3 | | | | | | 09A | 09D | 06 | 0105B08 | I | A3 | | | | |
| 09A | 13E | 07 | 0107B08 | I | A3 | | | | | 09A | 09G | 06 | 0106B08 | I | A3 | | | | | | 09A | 09G | 06 | 0106B08 | I | A3 | | | | |
| 09A | 09D | 06 | 0105B08 | I | A3 | | | | | 09A | 11D | 07 | 0108B08 | I | A3 | | | | | | 09A | 11D | 07 | 0108B08 | I | A3 | | | | |
| 09A | 09G | 06 | 0106B08 | I | A3 | | | | | 09A | 13E | 07 | 0107B08 | I | A3 | | | | | | 09A | 13E | 07 | 0107B08 | I | A3 | | | | |
| 09A | 11D | 07 | 0108B08 | I | A3 | | | | | 09A | 15E | 08 | 0107B08 | I | A3 | | | | | | 09A | 15E | 08 | 0107B08 | I | A3 | | | | |
| 09A | 13E | 07 | 0107B08 | I | A3 | | | | | 09A | 09D | 06 | 0105B08 | I | A3 | | | | | | 09A | 09D | 06 | 0105B08 | I | A3 | | | | |
| 09A | 09G | 06 | 0106B08 | I | A3 | | | | | 09A | 09G | 06 | 0106B08 | I | A3 | | | | | | 09A | 09G | 06 | 0106B08 | I | A3 | | | | |
| 09A | 11D | 07 | 0108B08 | I | A3 | | | | | 09A | 11D | 07 | 0108B08 | I | A3 | | | | | | 09A | 11D | 07 | 0108B08 | I | A3 | | | | |
| 09A | 13E | 07 | 0107B08 | I | A3 | | | | | 09A | 13E | 07 | 0107B08 | I | A3 | | | | | | 09A | 13E | 07 | 0107B08 | I | A3 | | | | |
| 09A | 09D | 06 | 0105B08 | I | A3 | | | | | 09A | 15E | 08 | 0107B08 | I | A3 | | | | | | 09A | 15E | 08 | 0107B08 | I | A3 | | | | |
| 09A | 09G | 06 | 0106B08 | I | A3 | | | | | 09A | 09D | 06 | 0105B08 | I | A3 | | | | | | 09A | 09D | 06 | 0105B08 | I | A3 | | | | |
| 09A | 11D | 07 | 0108B08 | I | A3 | | | | | 09A | 09G | 06 | 0106B08 | I | A3 | | | | | | 09A | 09G | 06 | 0106B08 | I | A3 | | | | |
| 09A | 13E | 07 | 0107B08 | I | A3 | | | | | 09A | 11D | 07 | 0108B08 | I | A3 | | | | | | 09A | 11D | 07 | 0108B08 | I | A3 | | | | |
| 09A | 09D | 06 | 0105B08 | I | A3 | | | | | 09A | 13E | 07 | 0107B08 | I | A3 | | | | | | 09A | 13E | 07 | 0107B08 | I | A3 | | | | |
| 09A | 09G | 06 | 0106B08 | I | A3 | | | | | 09A | 15E | 08 | 0107B08 | I | A3 | | | | | | 09A | 15E | 08 | 0107B08 | I | A3 | | | | |
| 09A | 11D | 07 | 0108B08 | I | A3 | | | | | 09A | 09D | 06 | 0105B08 | I | A3 | | | | | | 09A | 09D | 06 | 0105B08 | I | A3 | | | | |
| 09A | 13E | 07 | 0107B08 | I | A3 | | | | | 09A | 09G | 06 | 0106B08 | I | A3 | | | | | | 09A | 09G | 06 | 0106B08 | I | A3 | | | | |
| 09A | 09D | 06 | 0105B08 | I | A3 | | | | | 09A | 11D | 07 | 0108B08 | I | A3 | | | | | | 09A | 11D | 07 | 0108B08 | I | A3 | | | | |
| 09A | 09G | 06 | 0106B08 | I | A3 | | | | | 09A | 13E | 07 | 0107B08 | I | A3 | | | | | | 09A | 13E | 07 | 0107B08 | I | A3 | | | | |
| 09A | 11D | 07 | 0108B08 | I | A3 | | | | | 09A | 15E | 08 | 0107B08 | I | A3 | | | | | | 09A | 15E | 08 | 0107B08 | I | A3 | | | | |
| 09A | 13E | 07 | 0107B08 | I | A3 | | | | | 09A | 09D | 06 | 0105B08 | I | A3 | | | | | | 09A | 09D | 06 | 0105B08 | I | A3 | | | | |
| 09A | 09G | 06 | 0106B08 | I | A3 | | | | | 09A | 09G | 06 | 0106B08 | I | A3 | | | | | | 09A | 09G | 06 | 0106B08 | I | A3 | | | | |
| 09A | 11D | 07 | 0108B08 | I | A3 | | | | | 09A | 11D | 07 | 0108B08 | I | A3 | | | | | | 09A | 11D | 07 | 0108B08 | I | A3 | | | | |
| 09A | 13E | 07 | 0107B08 | I | A3 | | | | | 09A | 13E | 07 | 0107B08 | I | A3 | | | | | | 09A | 13E | 07 | 0107B08 | I | A3 | | | | |
| 09A | 09D | 06 | 0105B08 | I | A3 | | | | | 09A | 15E | 08 | 0107B08 | I | A3 | | | | | | 09A | 15E | 08 | 0107B08 | I | A3 | | | | |
| 09A | 09G | 06 | 0106B08 | I | A3 | | | | | 09A | 09D | 06 | 0105B08 | I | A3 | | | | | | 09A | 09D | 06 | 0105B08 | I | A3 | | | | |
| 09A | 11D | 07 | 0108B08 | I | A3 | | | | | 09A | 09G | 06 | 0106B08 | I | A3 | | | | | | 09A | 09G | 06 | 0106B08 | I | A3 | | | | |
| 09A | 13E | 07 | 0107B08 | I | A3 | | | | | 09A | 11D | 07 | 0108B08 | I | A3 | | | | | | 09A | 11D | 07 | 0108B08 | I | A3 | | | | |
| 09A | 09D | 06 | 0105B08 | I | A3 | | | | | 09A | 13E | 07 | 0107B08 | I | A3 | | | | | | 09A | 13E | 07 | 0107B08 | I | A3 | | | | |
| 09A | 09G | 06 | 0106B08 | I | A3 | | | | | 09A | 15E | 08 | 0107B08 | I | A3 | | | | | | 09A | 15E | 08 | 0107B08 | I | A3 | | | | |
| 09A | 11D | 07 | 0108B08 | I | A3 | | | | | 09A | 09D | 06 | 0105B08 | I | A3 | | | | | | 09A | 09D | 06 | 0105B08 | I | A3 | | | | |
| 09A | 13E | 07 | 0107B08 | I | A3 | | | | | 09A | 09G | 06 | 0106B08 | I | A3 | | | | | | 09A | 09G | 06 | 0106B08 | I | A3 | | | | |
| 09A | 09D | 06 | 0105B08 | I | A3 | | | | | 09A | 11D | 07 | 0108B08 | I | A3 | | | | | | 09A | 11D | 07 | 0108B08 | I | A3 | | | | |
| 09A | 09G | 06 | 0106B08 | I | A3 | | | | | 09A | 13E | 07 | 0107B08 | I | A3 | | | | | | 09A | 13E | 07 | 0107B08 | I | A3 | | | | |
| 09A | 11D | 07 | 0108B08 | I | A3 | | | | | 09A | 15E | 08 | 0107B08 | I | A3 | | | | | | 09A | 15E | 08 | 0107B08 | I | A3 | | | | |
| 09A | 13E | 07 | 0107B08 | I | A3 | | | | | 09A | 09D | 06 | 0105B08 | I | A3 | | | | | | 09A | 09D | 06 | 0105B08 | I | A3 | | | | |
| 09A | 09G | 06 | 0106B08 | I | A3 | | | | | 09A | 09G | 06 | 0106B08 | I | A3 | | | | | | 09A | 09G | 06 | 0106B08 | I | A3 | | | | |
| 09A | 11D | 07 | 0108B08 | I | A3 | | | | | 09A | 11D | 07 | 0108B08 | I | A3 | | | | | | 09A | 11D | 07 | 0108B08 | I | A3 | | | | |
| 09A | 13E | 07 | 0107B08 | I | A3 | | | | | 09A | 13E | 07 | 0107B08 | I | A3 | | | | | | 09A | 13E | 07 | 0107B08 | I | A3 | | | | |
| 09A | 09D | 06 | 0105B08 | I | A3 | | | | | 09A | 15E | 08 | 0107B08 | I | A3 | | | | | | 09A | 15E | 08 | 0107B08 | I | A3 | | | | |
| 09A | 09G | 06 | 0106B08 | I | A3 | | | | | 09A | 09D | 06 | 0105B08 | I | A3 | | | | | | 09A | 09D | 06 | 0105B08 | I | A3 | | | | |
| 09A | 11D | 07 | 0108B08 | I | A3 | | | | | 09A | 09G | 06 | 0106B08 | I | A3 | | | | | | 09A | 09G | 06 | 0106B08 | I | A3 | | | | |
| 09A | 13E | 07 | 0107B08 | I | A3 | | | | | 09A | 11D | 07 | 0108B08 | I | A3 | | | | | | 09A | 11D | 07 | 0108B08 | I | A3 | | | | |
| 09A | 09D | 06 | 0105B08 | I | A3 | | | | | 09A | 13E | 07 | 0107B08 | I | A3 | | | | | | 09A | 13E | 07 | 0107B08 | I | A3 | | | | |
| 09A | 09G | 06 | 0106B08 | I | A3 | | | | | 09A | 15E | 08 | 0107B08 | I | A3 | | | | | | | | | | | | | | | |

CONDENSED SIGNAL-LIST
716 CENTRAL PROCESSOR

TDP DRAWING NUMBER
03075 K70032831-319

REV DATE FILE NAME S PAGE
10-15-75 716CPUXX F 0043

| SIGNAL NAME | FR | SSC | DDM | PP | LBD | DWG | P | LAST | SIGNAL NAME | FR | SSC | DDM | PP | LBD | DWG | P | LAST |
|-------------|-----|-----|-----|---------|-----|-----|---|------|-------------|-----|-----|-----|---------|-----|-----|---|------|
| MAFILF- | 06A | 04E | 01 | 0136F09 | I | 22 | | | MCR260- | 06A | 17C | 07 | 0150E03 | O | D2 | | |
| MAFILF- | 06A | 04E | 02 | 0136F09 | I | 22 | | | MCR270- | 06A | 18C | 06 | 0150E03 | O | D2 | | |
| MAFILF- | 06A | 01E | 04 | 0150C10 | I | 22 | | | MCR280- | 06A | 17C | 06 | 0150E03 | O | D2 | | |
| MAFILF- | 06A | 01F | 04 | 0150C08 | I | 22 | | | MCR290- | 06A | 18C | 05 | 0150E03 | O | D2 | | |
| MAFILF- | 06A | 13G | 02 | 0150B09 | O | 22 | | | MCR300- | 06A | 17C | 05 | 0150E03 | O | D1 | | |
| MAFILF- | 06A | 22E | 02 | 0150A09 | O | 22 | | | MCR310- | 06A | 17C | 04 | 0150E03 | O | D2 | | |
| MAFILF- | 06A | 20 | 38 | | | 24 | | | MCR320- | 06A | 18C | 03 | 0150E03 | O | D2 | | |
| MAFILF- | 06A | 18G | 01 | 0150D11 | I | 22 | | | MCR330- | 06A | 17C | 03 | 0150E03 | O | D2 | | |
| MAFILF- | 06A | 19G | 01 | 0150C12 | O | 22 | | | MCR340- | 06A | 18C | 02 | 0150E03 | O | D2 | | |
| MAFILF- | 06A | 15G | 02 | 0150D09 | I | 22 | | | MCR350- | 06A | 17C | 02 | 0150E03 | O | D2 | | |
| MAFILF- | 06A | 16G | 04 | 0150D11 | I | 22 | | | MCR360- | 06A | 18C | 03 | 0150E03 | O | D2 | | |
| MAFILF- | 06A | 14G | 06 | 0150C07 | O | 22 | | | MCR370- | 06A | 17C | 03 | 0150E03 | O | D2 | | |
| MAFILF- | 06A | 15G | 05 | 0150C09 | O | 22 | | | MCR380- | 06A | 18C | 04 | 0150E03 | O | D2 | | |
| MAFILF- | 06A | 16G | 04 | 0150D11 | I | 22 | | | MCR390- | 06A | 17C | 02 | 0150E03 | O | D2 | | |
| MAFILF- | 06A | 16C | 06 | 0150G10 | I | 22 | | | MCR400- | 06A | 18C | 03 | 0150E03 | O | D2 | | |
| MAFILF- | 06A | 16D | AA | 0150F11 | O | A1 | | | MCR410- | 06A | 17C | 02 | 0150E03 | O | D2 | | |
| MAFILF- | 06A | 10F | 03 | 0150G08 | I | 22 | | | MCR420- | 06A | 18C | 04 | 0150E03 | O | D2 | | |
| MAFILF- | 06A | 15G | 05 | 0150G10 | I | 22 | | | MCR430- | 06A | 17C | 03 | 0150E03 | O | D2 | | |
| MAFILF- | 06A | 22F | 04 | 0150C06 | I | 22 | | | MCR440- | 06A | 18C | 02 | 0150E03 | O | D2 | | |
| MAFILF- | 06A | 06V | 46 | | | 24 | | | MCR450- | 06A | 17C | 02 | 0150E03 | O | D2 | | |
| MAFILF- | 06A | 10F | 06 | 0150G08 | O | 22 | | | MCR460- | 06A | 18C | 03 | 0150E03 | O | D2 | | |
| MAFILF- | 06A | 14E | 01 | 0150D08 | I | 22 | | | MCR470- | 06A | 17C | 02 | 0150E03 | O | D2 | | |
| MAFILF- | 06A | 14E | 02 | 0150D08 | I | 22 | | | MCR480- | 06A | 18C | 04 | 0150E03 | O | D2 | | |
| MAFILF- | 06A | 16C | 07 | 0150G10 | I | A2 | | | MCR490- | 06A | 17C | 03 | 0150E03 | O | D2 | | |
| MAFILF- | 06A | 16D | 01 | 0150F11 | O | A2 | | | MCR500- | 06A | 18C | 02 | 0150E03 | O | D2 | | |
| MAFILF- | 06A | 14G | 01 | 0150B02 | O | F1 | | | MCR510- | 06A | 17C | 02 | 0150E03 | O | D2 | | |
| MAFILF- | 06A | 19D | 03 | 0150A01 | O | F1 | | | MCR520- | 06A | 18C | 03 | 0150E03 | O | D2 | | |
| MAFILF- | 06A | 11G | 03 | 0136G08 | I | 22 | | | MCR530- | 06A | 17C | 02 | 0150E03 | O | D2 | | |
| MAFILF- | 06A | 11G | 06 | 0136G07 | I | 22 | | | MCR540- | 06A | 18C | 04 | 0150E03 | O | D2 | | |
| MAFILF- | 06A | 03D | 08 | 0150B10 | I | 22 | | | MCR550- | 06A | 17C | 03 | 0150E03 | O | D2 | | |
| MAFILF- | 06A | 17D | 04 | 0150A10 | O | 22 | | | MCR560- | 06A | 18C | 02 | 0150E03 | O | D2 | | |
| MAFILF- | 06A | 08B | 44 | | | 24 | | | MCR570- | 06A | 17C | 02 | 0150E03 | O | D2 | | |
| MAFILF- | 06A | 14B | 57 | 0053F04 | I | C2 | | | MCR580- | 06A | 18C | 03 | 0150E03 | O | D2 | | |
| MAFILF- | 06A | 01C | 05 | 0118E07 | I | 22 | | | MCR590- | 06A | 17C | 04 | 0150E03 | O | D2 | | |
| MAFILF- | 06A | 03C | 09 | 0118E07 | I | 22 | | | MCR600- | 06A | 18C | 05 | 0150E03 | O | D2 | | |
| MAFILF- | 06A | 07E | 05 | 0118F10 | I | 22 | | | MCR610- | 06A | 17C | 04 | 0150E03 | O | D2 | | |
| MAFILF- | 06A | 01F | 07 | 0150C08 | O | 22 | | | MCR620- | 06A | 18C | 03 | 0150E03 | O | D2 | | |
| MAFILF- | 06A | 15G | 03 | 0150D09 | I | 22 | | | MCR630- | 06A | 17C | 02 | 0150E03 | O | D2 | | |
| MAFILF- | 01A | 17B | 03 | 0118D11 | O | 22 | | | MCR640- | 06A | 18C | 04 | 0150E03 | O | D2 | | |
| MAFILF- | 01A | 01C | 32 | | | 25 | | | MCR650- | 06A | 17C | 03 | 0150E03 | O | D2 | | |
| MAFILF- | 06A | 10B | 01 | 0118E11 | I | 22 | | | MCR660- | 06A | 18C | 02 | 0150E03 | O | D2 | | |
| MAFILF- | 06A | 06V | 57 | | | 22 | | | MCR670- | 06A | 17C | 02 | 0150E03 | O | D2 | | |

CONDENSED SIGNAL-LIST
716 CENTRAL PROCESSOR

TDP DRAWING NUMBER
03075 K70032831-319

REV DATE FILE NAME S PAGE
10-15-75 716CPUXX F 0045

| SIGNAL NAME | FR | SSC | DDM | PP | LBD | DWG | P | LAST | SIGNAL NAME | FR | SSC | DDM | PP | LBD | DWG | P | LAST |
|-------------|-----|-----|-----|---------|-----|-----|---|------|-------------|-----|-----|---------|---------|-----|-----|---|------|
| MD03BS+ | 07A | 17A | 03 | 0153B04 | I | 22 | | | MD06BS- | 09A | 16B | 01 | 0106B03 | I | A5 | | |
| MD03BS+ | 07B | 17A | 34 | | | 23 | | | MD06BS- | 09A | 16B | 02 | 0106B03 | I | A5 | | |
| MD03BS+ | 08A | 17B | 07 | 0103B03 | O | A5 | | | MD06BS- | 09B | 11 | 11 | | | | | |
| MD03BS+ | 08A | 20C | 01 | 0103B11 | I | 22 | | | MD06BS- | 09J | 14B | 02 | 0051B10 | R | A2 | | |
| MD03BS+ | 08B | 22E | 02 | 0103B06 | I | 23 | | | MD06BS- | 20B | 32 | 0051G06 | O | H1 | | | |
| MD03BS- | 08A | 17A | 07 | 0103D07 | O | A3 | | | MD07BS+ | 07A | 15G | 03 | 0107B04 | I | 22 | | |
| MD03BS- | 08A | 17B | 05 | 0103B03 | I | A5 | | | MD07BS+ | 07B | 21 | 21 | | | | | |
| MD03BS- | 08A | 17B | 06 | 0103B03 | O | A5 | | | MD07BS+ | 09A | 15B | 04 | 0107B03 | O | A5 | | |
| MD03BS- | 08A | 19A | 07 | 0103D06 | O | A3 | | | MD07BS+ | 09A | 16B | 03 | 0107B11 | I | 22 | | |
| MD03BS- | 08B | 16A | 16 | | | 23 | | | MD07BS+ | 09A | 16B | 03 | 0107B06 | I | 22 | | |
| MD03BS- | 08B | 16A | 16 | | | 23 | | | MD07BS- | 09B | 19 | 19 | | | | | |
| MD03BS- | 08B | 16A | 16 | | | 23 | | | MD07BS- | 09A | 12B | 03 | 0107D07 | O | 22 | | |
| MD03BS- | 08B | 16A | 16 | | | 23 | | | MD07BS- | 09A | 14A | 06 | 0107D06 | O | A2 | | |
| MD03BS- | 08B | 16A | 16 | | | 23 | | | MD07BS- | 09A | 15B | 02 | 0107B03 | I | A5 | | |
| MD03BS- | 08B | 16A | 16 | | | 23 | | | MD07BS- | 09A | 15B | 03 | 0107B03 | I | A5 | | |
| MD03BS- | 08B | 16A | 16 | | | 23 | | | MD07BS- | 09B | 09 | 09 | | | | | |
| MD03BS- | 08B | 16A | 16 | | | 23 | | | MD07BS- | 09J | 14A | 10 | 0051C10 | R | A2 | | |
| MD03BS- | 08B | 16A | 16 | | | 23 | | | MD07BS- | 16B | 17 | 17 | | | | | |
| MD03BS- | 08B | 16A | 16 | | | 23 | | | MD07BS- | 20B | 17 | 0051G06 | O | H1 | | | |
| MD03BS- | 08B | 16A | 16 | | | 23 | | | MD08BS+ | 07A | 20B | 04 | 0108B04 | I | 22 | | |
| MD03BS- | 08B | 16A | 16 | | | 23 | | | MD08BS+ | 07B | 26 | 26 | | | | | |
| MD03BS- | 08B | 16A | 16 | | | 23 | | | MD08BS+ | 09A | 15B | 05 | 0108B11 | I | 22 | | |
| MD03BS- | 08B | 16A | 16 | | | 23 | | | MD08BS+ | 09A | 16C | 03 | 0108B03 | O | A5 | | |
| MD03BS- | 08B | 16A | 16 | | | 23 | | | MD08BS+ | 09A | 17E | 20 | 0108B06 | I | 22 | | |
| MD03BS- | 08B | 16A | 16 | | | 23 | | | MD08BS- | 09A | 11B | 07 | 0108D07 | O | A2 | | |
| MD03BS- | 08B | 16A | 16 | | | 23 | | | MD08BS- | 09A | 14A | 06 | 0108B06 | O | A2 | | |
| MD03BS- | 08B | 16A | 16 | | | 23 | | | MD08BS- | 09A | 16C | 01 | 0108B03 | I | A5 | | |
| MD03BS- | 08B | 16A | 16 | | | 23 | | | MD08BS- | 09A | 16C | 02 | 0108B03 | I | A5 | | |
| MD03BS- | 08B | 16A | 16 | | | 23 | | | MD08BS- | 09B | 05 | 05 | | | | | |
| MD03BS- | 08B | 16A | 16 | | | 23 | | | MD08BS- | 09J | 18B | 10 | 0051D10 | R | A2 | | |
| MD03BS- | 08B | 16A | 16 | | | 23 | | | MD08BS- | 16B | 18 | 18 | | | | | |
| MD03BS- | 08B | 16A | 16 | | | 23 | | | MD08BS- | 20B | 18 | 0051G06 | O | H1 | | | |
| MD03BS- | 08B | 16A | 16 | | | 23 | | | MD09BS+ | 07A | 18A | 01 | 0109B04 | I | 22 | | |
| MD03BS- | 08B | 16A | 16 | | | 23 | | | MD09BS+ | 07B | 17B | 43 | | | | | |
| MD03BS- | 08B | 16A | 16 | | | 23 | | | MD09BS+ | 09A | 13A | 04 | 0109D06 | O | A3 | | |
| MD03BS- | 08B | 16A | 16 | | | 23 | | | MD09BS+ | 09A | 14D | 01 | 0109B03 | I | A5 | | |
| MD03BS- | 08B | 16A | 16 | | | 23 | | | MD09BS+ | 09A | 14D | 02 | 0109B03 | I | A5 | | |
| MD03BS- | 08B | 16A | 16 | | | 23 | | | MD09 | | | | | | | | |

| CONDENSED SIGNAL-LIST 716 CENTRAL PROCESSOR | | | | | | | | | | TDP DRAWING NUMBER 03075 K70032831-319 | | | | | | | | | | REV DATE FILE NAME S PAGE F 10-15-75 716CPXXX F 0046A | | | | | | | | | |
|--|-----|-----|---------|---------|---------------------|----------|-------------|-----|---------|---|----|---------------------|----------|-------------|---------|---------|-----|----|---------------------|--|---------|---------|----|----|--|--|--|--|--|
| SIGNAL NAME | FR | SSC | DDM | PP | LBD DWG P LOCATOR T | LAST REV | SIGNAL NAME | FR | SSC | DDM | PP | LBD DWG P LOCATOR T | LAST REV | SIGNAL NAME | FR | SSC | DDM | PP | LBD DWG P LOCATOR T | LAST REV | | | | | | | | | |
| MLOOPT+ | 02A | 15F | 02 | 0182C02 | I | C1 | 02A | 15F | 02 | 0182C02 | I | C1 | 02A | 15F | 02 | 0182C02 | I | C1 | 02A | 15F | 02 | 0182C02 | I | C1 | | | | | |
| MLOOPT+A | 14B | 14B | 08 | 003F04 | I | H5 | 14B | 14B | 08 | 003F04 | I | H5 | 14B | 14B | 08 | 003F04 | I | H5 | 14B | 14B | 08 | 003F04 | I | H5 | | | | | |
| MLOVIN+ | 02A | 18E | 04 | 0182E05 | I | Z2 | 02A | 18E | 04 | 0182E05 | I | Z2 | 02A | 18E | 04 | 0182E05 | I | Z2 | 02A | 18E | 04 | 0182E05 | I | Z2 | | | | | |
| MPARLF- | 20B | 10 | 0051G06 | O | B3 | | 20B | 10 | 0051G06 | O | B3 | | 20B | 10 | 0051G06 | O | B3 | | 20B | 10 | 0051G06 | O | B3 | | | | | | |
| MPARRT- | 20B | 09 | 0051G06 | O | B3 | | 20B | 09 | 0051G06 | O | B3 | | 20B | 09 | 0051G06 | O | B3 | | 20B | 09 | 0051G06 | O | B3 | | | | | | |

PAGE 0046A

DOCUMENT CONTINUED

INDEX: MLOOPT+

| CONDENSED SIGNAL-LIST 716 CENTRAL PROCESSOR | | | | | | | | | | TDP DRAWING NUMBER 03075 K70032831-319 | | | | | | | | | | REV DATE FILE NAME S PAGE F 10-15-75 716CPXXX F 0048 | | | | | | | | | |
|--|-----|-----|-----|---------|---------------------|----------|-------------|-----|-----|---|----|---------------------|----------|-------------|----|---------|-----|----|---------------------|---|----|---------|---|----|--|--|--|--|--|
| SIGNAL NAME | FR | SSC | DDM | PP | LBD DWG P LOCATOR T | LAST REV | SIGNAL NAME | FR | SSC | DDM | PP | LBD DWG P LOCATOR T | LAST REV | SIGNAL NAME | FR | SSC | DDM | PP | LBD DWG P LOCATOR T | LAST REV | | | | | | | | | |
| OPGI/O+ | 03A | 05F | 05 | 0119D06 | I | B2 | 03A | 05F | 05 | 0119D06 | I | B2 | 03A | 05F | 05 | 0119D06 | I | B2 | 03A | 05F | 05 | 0119D06 | I | B2 | | | | | |
| OPGM/D+ | 02A | 02B | 02 | 0127F07 | I | A1 | 02A | 02B | 02 | 0127F07 | I | A1 | 02A | 02B | 02 | 0127F07 | I | A1 | 02A | 02B | 02 | 0127F07 | I | A1 | | | | | |
| OPGLCI- | 06A | 03A | 02 | 0118D10 | I | C2 | 06A | 03A | 02 | 0118D10 | I | C2 | 06A | 03A | 02 | 0118D10 | I | C2 | 06A | 03A | 02 | 0118D10 | I | C2 | | | | | |
| OPGLCI-M | 04A | 04E | 04 | 0119E01 | I | B3 | 04A | 04E | 04 | 0119E01 | I | B3 | 04A | 04E | 04 | 0119E01 | I | B3 | 04A | 04E | 04 | 0119E01 | I | B3 | | | | | |
| OPGLGA+ | 02A | 01B | 05 | 0127B11 | I | Z2 | 02A | 01B | 05 | 0127B11 | I | Z2 | 02A | 01B | 05 | 0127B11 | I | Z2 | 02A | 01B | 05 | 0127B11 | I | Z2 | | | | | |
| OPGMAU+ | 02A | 02B | 02 | 0127F07 | I | A1 | 02A | 02B | 02 | 0127F07 | I | A1 | 02A | 02B | 02 | 0127F07 | I | A1 | 02A | 02B | 02 | 0127F07 | I | A1 | | | | | |
| OPGMAU- | 03A | 08C | 02 | 0120E08 | O | Z2 | 03A | 08C | 02 | 0120E08 | O | Z2 | 03A | 08C | 02 | 0120E08 | O | Z2 | 03A | 08C | 02 | 0120E08 | O | Z2 | | | | | |
| OPGM/D+ | 01A | 18A | 05 | 0120G07 | I | Z2 | 01A | 18A | 05 | 0120G07 | I | Z2 | 01A | 18A | 05 | 0120G07 | I | Z2 | 01A | 18A | 05 | 0120G07 | I | Z2 | | | | | |
| OPGM/D+A | 03A | 07C | 05 | 0120G08 | O | Z2 | 03A | 07C | 05 | 0120G08 | O | Z2 | 03A | 07C | 05 | 0120G08 | O | Z2 | 03A | 07C | 05 | 0120G08 | O | Z2 | | | | | |

PAGE 0048

DOCUMENT CONTINUED

INDEX: OPGI/O+

| CONDENSED SIGNAL-LIST 716 CENTRAL PROCESSOR | | | | | | | | | | TDP DRAWING NUMBER 03075 K70032831-319 | | | | | | | | | | REV DATE FILE NAME S PAGE F 10-15-75 716CPXXX F 0047 | | | | | | | | | |
|--|-----|-----|---------|---------|---------------------|----------|-------------|-----|---------|---|----|---------------------|----------|-------------|---------|---------|-----|----|---------------------|---|---------|---------|----|----|--|--|--|--|--|
| SIGNAL NAME | FR | SSC | DDM | PP | LBD DWG P LOCATOR T | LAST REV | SIGNAL NAME | FR | SSC | DDM | PP | LBD DWG P LOCATOR T | LAST REV | SIGNAL NAME | FR | SSC | DDM | PP | LBD DWG P LOCATOR T | LAST REV | | | | | | | | | |
| MPROPT+ | 14A | 02 | 0053D04 | G | H5 | | 14A | 02 | 0053D04 | G | H5 | | 14A | 02 | 0053D04 | G | H5 | | 14A | 02 | 0053D04 | G | H5 | | | | | | |
| MPULS1+ | 08A | 20B | 03 | 0150C01 | O | D2 | 08A | 20B | 03 | 0150C01 | O | D2 | 08A | 20B | 03 | 0150C01 | O | D2 | 08A | 20B | 03 | 0150C01 | O | D2 | | | | | |
| MPULS2+ | 02A | 20B | 06 | 0150C05 | O | D2 | 02A | 20B | 06 | 0150C05 | O | D2 | 02A | 20B | 06 | 0150C05 | O | D2 | 02A | 20B | 06 | 0150C05 | O | D2 | | | | | |
| MPWEL- | 02A | 22F | 01 | 0150C06 | I | A3 | 02A | 22F | 01 | 0150C06 | I | A3 | 02A | 22F | 01 | 0150C06 | I | A3 | 02A | 22F | 01 | 0150C06 | I | A3 | | | | | |
| MRDENF+ | 01A | 04D | 06 | 0128E01 | O | C9 | 01A | 04D | 06 | 0128E01 | O | C9 | 01A | 04D | 06 | 0128E01 | O | C9 | 01A | 04D | 06 | 0128E01 | O | C9 | | | | | |
| MRDREG- | 01A | 04D | 05 | 0128E01 | O | C9 | 01A | 04D | 05 | 0128E01 | O | C9 | 01A | 04D | 05 | 0128E01 | O | C9 | 01A | 04D | 05 | 0128E01 | O | C9 | | | | | |
| MRDSTB- | 02A | 63 | 0053D04 | I | H5 | | 02A | 63 | 0053D04 | I | H5 | | 02A | 63 | 0053D04 | I | H5 | | 02A | 63 | 0053D04 | I | H5 | | | | | | |
| MRFRSH- | 02A | 08 | 0053F04 | I | H5 | | 02A | 08 | 0053F04 | I | H5 | | 02A | 08 | 0053F04 | I | H5 | | 02A | 08 | 0053F04 | I | H5 | | | | | | |
| MRONVL- | 02A | 17 | 0117B03 | I | A1 | | 02A | 17 | 0117B03 | I | A1 | | 02A | 17 | 0117B03 | I | A1 | | 02A | 17 | 0117B03 | I | A1 | | | | | | |
| MRRCYC+ | 01A | 05D | 03 | 0128B07 | I | D4 | 01A | 05D | 03 | 0128B07 | I | D4 | 01A | 05D | 03 | 0128B07 | I | D4 | 01A | 05D | 03 | 0128B07 | I | D4 | | | | | |
| MRWINH- | 02A | 02F | 04 | 0128A07 | O | Z3 | 02A | 02F | 04 | 0128A07 | O | Z3 | 02A | 02F | 04 | 0128A07 | O | Z3 | 02A | 02F | 04 | 0128A07 | O | Z3 | | | | | |
| OPGA/S+ | 01A | 18A | 05 | 0120G07 | I | Z2 | 01A | 18A | 05 | 0120G07 | I | Z2 | 01A | 18A | 05 | 0120G07 | I | Z2 | 01A | 18A | 05 | 0120G07 | I | Z2 | | | | | |
| OPGGNA+ | 03A | 07A | 02 | 0128E04 | I | B2 | 03A | 07A | 02 | 0128E04 | I | B2 | 03A | 07A | 02 | 0128E04 | I | B2 | 03A | 07A | 02 | 0128E04 | I | B2 | | | | | |

PAGE 0047

DOCUMENT CONTINUED

INDEX: MPROPT+

| CONDENSED SIGNAL-LIST 716 CENTRAL PROCESSOR | | | | | | | | | | TDP DRAWING NUMBER 03075 K70032831-319 | | | | | | | | | | REV DATE FILE NAME S PAGE F 10-15-75 716CPXXX F 0049 | | | | | | | | | |
|--|-----|-----|-----|---------|---------------------|----------|-------------|-----|-----|---|----|---------------------|----------|-------------|----|---------|-----|----|---------------------|---|----|---------|---|----|--|--|--|--|--|
| SIGNAL NAME | FR | SSC | DDM | PP | LBD DWG P LOCATOR T | LAST REV | SIGNAL NAME | FR | SSC | DDM | PP | LBD DWG P LOCATOR T | LAST REV | SIGNAL NAME | FR | SSC | DDM | PP | LBD DWG P LOCATOR T | LAST REV | | | | | | | | | |
| OPNANA- | 04A | 02D | 06 | 0120D08 | I | Z2 | 04A | 02D | 06 | 0120D08 | I | Z2 | 04A | 02D | 06 | 0120D08 | I | Z2 | 04A | 02D | 06 | 0120D08 | I | Z2 | | | | | |
| OPNCAI+ | 02A | 03B | 05 | 0138C11 | O | Z3 | 02A | 03B | 05 | 0138C11 | O | Z3 | 02A | 03B | 05 | 0138C11 | O | Z3 | 02A | 03B | 05 | 0138C11 | O | Z3 | | | | | |
| OPNCAI- | 03A | 15A | 07 | 0138B11 | O | Z3 | 03A | 15A | 07 | 0138B11 | O | Z3 | 03A | 15A | 07 | 0138B11 | O | Z3 | 03A | 15A | 07 | 0138B11 | O | Z3 | | | | | |
| OPNCAS+ | 01A | 13B | 03 | 0119E10 | I | B3 | 01A | 13B | 03 | 0119E10 | I | B3 | 01A | 13B | 03 | 0119E10 | I | B3 | 01A | 13B | 03 | 0119E10 | I | B3 | | | | | |
| OPNDPA- | 04A | 04D | 04 | 0120F02 | O | H1 | 04A | 04D | 04 | 0120F02 | O | H1 | 04A | 04D | 04 | 0120F02 | O | H1 | 04A | 04D | 04 | 0120F02 | O | H1 | | | | | |
| OPNERA- | 04A | 02D | 06 | 0120D08 | I | Z2 | 04A | 02D | 06 | 0120D08 | I | Z2 | 04A | 02D | 06 | 0120D08 | I | Z2 | 04A | 02D | 06 | 0120D08 | I | Z2 | | | | | |
| OPNERM+ | 02A | 15F | 07 | 0182C02 | O | A3 | 02A | 15F | 07 | 0182C02 | O | A3 | 02A | 15F | 07 | 0182C02 | O | A3 | 02A | 15F | 07 | 0182C02 | O | A3 | | | | | |
| OPNIMA+ | 01A | 14F | 05 | 0128D04 | I | A6 | 01A | 14F | 05 | 0128D04 | I | A6 | 01A | 14F | 05 | 0128D04 | I | A6 | 01A | 14F | 05 | 0128D04 | I | A6 | | | | | |
| OPNIRSA+ | 01A | 19G | 05 | 0128D05 | I | A6 | 01A | 19G | 05 | 0128D05 | I | A6 | 01A | 19G | 05 | 0128D05 | I | A6 | 01A | 19G | 05 | 0128D05 | I | A6 | | | | | |

PAGE 0049

DOCUMENT CONTINUED

INDEX: OPNANA-

| CONDENSED SIGNAL-LIST 716 CENTRAL PROCESSOR | | | | | | | | | | TDP DRAWING NUMBER 03075 K70032831-319 | | | | | | | | | | REV DATE FILE NAME S PAGE 10-15-75 716CPUXX F 0050 | | | | | | | | | | | | |
|--|-----|-----|-----|--------|--------|-----|----|------|-----|---|-----|-----|-----|--------|--------|-----|----|------|-----|---|-----|-----|-----|------|--------|-----|----|------|-----|--|--|--|
| SIGNAL NAME | FR | SSC | DDM | PP | LBD | DWG | P | LAST | REV | SIGNAL NAME | FR | SSC | DDM | PP | LBD | DWG | P | LAST | REV | SIGNAL NAME | FR | SSC | DDM | PP | LBD | DWG | P | LAST | REV | | | |
| OPNLDA- | 04A | 02C | 06 | 01 | 120F04 | I | 22 | | | OPNMPY- | 03A | 03A | 04 | 01 | 123F03 | I | 22 | | | OPNNTK-1 | 05A | 12G | 06 | 01 | 137A09 | I | 22 | | | | | |
| 04A | 02D | 02 | 01 | 120D08 | I | 22 | | | | 03A | 04B | 03 | 01 | 123D02 | I | 22 | | | | OPNMPY- | 07A | 16G | 06 | 01 | 120G12 | O | 22 | | | | | |
| 04A | 02E | 06 | 01 | 120D11 | I | 22 | | | | 03A | 14B | 01 | 01 | 120F07 | I | 22 | | | | OPNMPY- | 07B | 01 | 01 | 01 | 120F07 | I | 22 | | | | | |
| 04A | 02F | 06 | 01 | 120D06 | I | 22 | | | | 04A | 06D | 05 | 01 | 120F02 | I | 22 | | | | OPNMPY- | 14B | 56 | 00 | 5F04 | I | 22 | | | | | | |
| 04A | 06E | 10 | 01 | 120A01 | O | 22 | | | | 04A | 07E | 02 | 01 | 120A01 | O | 22 | | | | OPNMPY- | 04A | 07E | 02 | 01 | 120A01 | O | 22 | | | | | |
| OPNLDX- | 01A | 08B | 04 | 01 | 128B02 | I | 22 | | | 04A | 07E | 02 | 01 | 120A01 | O | 22 | | | | OPNMPY- | 07A | 09E | 03 | 01 | 124F08 | I | 22 | | | | | |
| 01A | 16E | 05 | 01 | 128B06 | I | 22 | | | | 04A | 07E | 02 | 01 | 120A01 | O | 22 | | | | OPNMPY- | 07A | 12G | 06 | 01 | 124E09 | O | 22 | | | | | |
| 01A | 16E | 05 | 01 | 128B06 | I | 22 | | | | 04A | 07E | 02 | 01 | 120A01 | O | 22 | | | | OPNMPY- | 07A | 12G | 06 | 01 | 124E09 | O | 22 | | | | | |
| 01A | 06D | 03 | 01 | 120F02 | I | 22 | | | | 04A | 07E | 02 | 01 | 120A01 | O | 22 | | | | OPNMPY- | 07A | 12G | 06 | 01 | 124E09 | O | 22 | | | | | |
| 04A | 09A | 05 | 01 | 120D02 | O | 22 | | | | 04A | 07E | 02 | 01 | 120A01 | O | 22 | | | | OPNMPY- | 07A | 12G | 06 | 01 | 124E09 | O | 22 | | | | | |
| OPNLSX+ | 01A | 11E | 05 | 01 | 128E07 | I | 22 | | | 04A | 07E | 02 | 01 | 120A01 | O | 22 | | | | OPNMPY- | 07A | 12G | 06 | 01 | 124E09 | O | 22 | | | | | |
| 01A | 13B | 06 | 01 | 129F06 | I | 22 | | | | 04A | 07E | 02 | 01 | 120A01 | O | 22 | | | | OPNMPY- | 07A | 12G | 06 | 01 | 124E09 | O | 22 | | | | | |
| 01A | 13B | 06 | 01 | 129F06 | I | 22 | | | | 04A | 07E | 02 | 01 | 120A01 | O | 22 | | | | OPNMPY- | 07A | 12G | 06 | 01 | 124E09 | O | 22 | | | | | |
| 01A | 09A | 06 | 01 | 120D02 | O | 22 | | | | 04A | 07E | 02 | 01 | 120A01 | O | 22 | | | | OPNMPY- | 07A | 12G | 06 | 01 | 124E09 | O | 22 | | | | | |
| 04A | 09D | 03 | 01 | 120C08 | O | 22 | | | | 04A | 07E | 02 | 01 | 120A01 | O | 22 | | | | OPNMPY- | 07A | 12G | 06 | 01 | 124E09 | O | 22 | | | | | |
| OPNLSX- | 04A | 04C | 01 | 01 | 120D01 | I | 22 | | | 04A | 07E | 02 | 01 | 120A01 | O | 22 | | | | OPNMPY- | 07A | 12G | 06 | 01 | 124E09 | O | 22 | | | | | |
| 04A | 07E | 03 | 01 | 120A01 | O | 22 | | | | 04A | 07E | 02 | 01 | 120A01 | O | 22 | | | | OPNMPY- | 07A | 12G | 06 | 01 | 124E09 | O | 22 | | | | | |
| 04A | 09D | 02 | 01 | 120C08 | O | 22 | | | | 04A | 07E | 02 | 01 | 120A01 | O | 22 | | | | OPNMPY- | 07A | 12G | 06 | 01 | 124E09 | O | 22 | | | | | |
| 04A | 13A | 04 | 01 | 127C01 | I | 22 | | | | 04A | 07E | 02 | 01 | 120A01 | O | 22 | | | | OPNMPY- | 07A | 12G | 06 | 01 | 124E09 | O | 22 | | | | | |
| 04A | 13A | 04 | 01 | 127C01 | I | 22 | | | | 04A | 07E | 02 | 01 | 120A01 | O | 22 | | | | OPNMPY- | 07A | 12G | 06 | 01 | 124E09 | O | 22 | | | | | |
| 04A | 14A | 04 | 01 | 127C01 | I | 22 | | | | 04A | 07E | 02 | 01 | 120A01 | O | 22 | | | | OPNMPY- | 07A | 12G | 06 | 01 | 124E09 | O | 22 | | | | | |
| 04A | 14A | 04 | 01 | 127C01 | I | 22 | | | | 04A | 07E | 02 | 01 | 120A01 | O | 22 | | | | OPNMPY- | 07A | 12G | 06 | 01 | 124E09 | O | 22 | | | | | |
| 04A | 14A | 04 | 01 | 127C01 | I | 22 | | | | 04A | 07E | 02 | 01 | 120A01 | O | 22 | | | | OPNMPY- | 07A | 12G | 06 | 01 | 124E09 | O | 22 | | | | | |
| 04A | 14A | 04 | 01 | 127C01 | I | 22 | | | | 04A | 07E | 02 | 01 | 120A01 | O | 22 | | | | OPNMPY- | 07A | 12G | 06 | 01 | 124E09 | O | 22 | | | | | |
| 04A | 16A | 01 | 01 | 127D02 | I | 22 | | | | 04A | 07E | 02 | 01 | 120A01 | O | 22 | | | | OPNMPY- | 07A | 12G | 06 | 01 | 124E09 | O | 22 | | | | | |
| 04A | 16A | 01 | 01 | 127D02 | I | 22 | | | | 04A | 07E | 02 | 01 | 120A01 | O | 22 | | | | OPNMPY- | 07A | 12G | 06 | 01 | 124E09 | O | 22 | | | | | |
| OPNMPY+ | 01A | 04E | 06 | 01 | 120F09 | O | 22 | | | 04A | 07E | 02 | 01 | 120A01 | O | 22 | | | | OPNMPY- | 07A | 12G | 06 | 01 | 124E09 | O | 22 | | | | | |
| 01A | 05F | 02 | 01 | 123A05 | I | 22 | | | | 04A | 07E | 02 | 01 | 120A01 | O | 22 | | | | OPNMPY- | 07A | 12G | 06 | 01 | 124E09 | O | 22 | | | | | |
| 01A | 14B | 05 | 01 | 123B01 | I | 22 | | | | 04A | 07E | 02 | 01 | 120A01 | O | 22 | | | | OPNMPY- | 07A | 12G | 06 | 01 | 124E09 | O | 22 | | | | | |
| 01B | 16 | 01 | 01 | 127F05 | I | 22 | | | | 04A | 07E | 02 | 01 | 120A01 | O | 22 | | | | OPNMPY- | 07A | 12G | 06 | 01 | 124E09 | O | 22 | | | | | |
| 02A | 12C | 02 | 01 | 127F05 | I | 22 | | | | 04A | 07E | 02 | 01 | 120A01 | O | 22 | | | | OPNMPY- | 07A | 12G | 06 | 01 | 124E09 | O | 22 | | | | | |
| 02A | 13A | 04 | 01 | 123B04 | I | 22 | | | | 04A | 07E | 02 | 01 | 120A01 | O | 22 | | | | OPNMPY- | 07A | 12G | 06 | 01 | 124E09 | O | 22 | | | | | |
| 02A | 14A | 03 | 01 | 127C08 | I | 22 | | | | 04A | 07E | 02 | 01 | 120A01 | O | 22 | | | | OPNMPY- | 07A | 12G | 06 | 01 | 124E09 | O | 22 | | | | | |
| 02A | 15A | 03 | 01 | 123C01 | I | 22 | | | | 04A | 07E | 02 | 01 | 120A01 | O | 22 | | | | OPNMPY- | 07A | 12G | 06 | 01 | 124E09 | O | 22 | | | | | |
| 02B | 05 | 01 | 01 | 123C01 | I | 22 | | | | 04A | 07E | 02 | 01 | 120A01 | O | 22 | | | | OPNMPY- | 07A | 12G | 06 | 01 | 124E09 | O | 22 | | | | | |
| 03A | 01B | 04 | 01 | 122C02 | I | 22 | | | | 04A | 07E | 02 | 01 | 120A01 | O | 22 | | | | OPNMPY- | 07A | 12G | 06 | 01 | 124E09 | O | 22 | | | | | |
| 03A | 02B | 01 | 01 | 122E05 | I | 22 | | | | 04A | 07E | 02 | 01 | 120A01 | O | 22 | | | | OPNMPY- | 07A | 12G | 06 | 01 | 124E09 | O | 22 | | | | | |
| 03A | 02B | 01 | 01 | 122E05 | I | 22 | | | | 04A | 07E | 02 | 01 | 120A01 | O | 22 | | | | OPNMPY- | 07A | 12G | 06 | 01 | 124E09 | O | 22 | | | | | |
| 03A | 03E | 02 | 01 | 122C04 | I | 22 | | | | 04A | 07E | 02 | 01 | 120A01 | O | 22 | | | | OPNMPY- | 07A | 12G | 06 | 01 | 124E09 | O | 22 | | | | | |
| 03A | 09E | 06 | 01 | 123C09 | I | 22 | | | | 04A | 07E | 02 | 01 | 120A01 | O | 22 | | | | OPNMPY- | 07A | 12G | 06 | 01 | 124E09 | O | 22 | | | | | |
| 03A | 09E | 06 | 01 | 123C09 | I | 22 | | | | 04A | 07E | 02 | 01 | 120A01 | O | 22 | | | | OPNMPY- | 07A | 12G | 06 | 01 | 124E09 | O | 22 | | | | | |
| 07A | 16G | 02 | 01 | 123A04 | I | 22 | | | | 04A | 07E | 02 | 01 | 120A01 | O | 22 | | | | OPNMPY- | 07A | 12G | 06 | 01 | 124E09 | O | 22 | | | | | |
| 07B | 02 | 01 | 01 | 123A04 | I | 22 | | | | 04A | 07E | 02 | 01 | 120A01 | O | 22 | | | | OPNMPY- | 07A | 12G | 06 | 01 | 124E09 | O | 22 | | | | | |
| OPNMPY- | 01A | 04E | 01 | 01 | 120F09 | I | 22 | | | 04A | 07E | 02 | 01 | 120A01 | O | 22 | | | | OPNMPY- | 07A | 12G | 06 | 01 | 124E09 | O | 22 | | | | | |
| 01A | 04E | 02 | 01 | 120F09 | I | 22 | | | | 04A | 07E | 02 | 01 | 120A01 | O | 22 | | | | OPNMPY- | 07A | 12G | 06 | 01 | 124E09 | O | 22 | | | | | |
| 01A | 04E | 02 | 01 | 120F09 | I | 22 | | | | 04A | 07E | 02 | 01 | 120A01 | O | 22 | | | | OPNMPY- | 07A | 12G | 06 | 01 | 124E09 | O | 22 | | | | | |
| 01A | 04E | 02 | 01 | 120F09 | I | 22 | | | | 04A | 07E | 02 | 01 | 120A01 | O | 22 | | | | OPNMPY- | 07A | 12G | 06 | 01 | 124E09 | O | 22 | | | | | |
| 01A | 15E | 03 | 01 | 123B07 | I | 22 | | | | 04A | 07E | 02 | 01 | 120A01 | O | 22 | | | | OPNMPY- | 07A | 12 | | | | | | | | | | |

| CONDENSED SIGNAL-LIST | | | | | | | | | | CONDENSED SIGNAL-LIST | | | | | | | | | | | | | | | | | | | | | |
|-----------------------|-----|-----|-----|---------|---------------------|-----|-----|------|-----|-----------------------|-----|-----|-----|---------|---------------------|-----|-----|------|-----|-------------|----------|-----|-----|-----|---------|-----|-----|------|-----|--|--|
| 716 CENTRAL PROCESSOR | | | | | TDP DRAWING NUMBER | | | | | 716 CENTRAL PROCESSOR | | | | | TDP DRAWING NUMBER | | | | | | | | | | | | | | | | |
| 03075 K70032831-319 | | | | | 03075 K70032831-319 | | | | | 03075 K70032831-319 | | | | | 03075 K70032831-319 | | | | | | | | | | | | | | | | |
| REV 10-15-75 | | | | | REV 10-15-75 | | | | | REV 10-15-75 | | | | | REV 10-15-75 | | | | | | | | | | | | | | | | |
| FILE NAME 716CPUXX | | | | | FILE NAME 716CPUXX | | | | | FILE NAME 716CPUXX | | | | | FILE NAME 716CPUXX | | | | | | | | | | | | | | | | |
| PAGE 0054 | | | | | PAGE 0054 | | | | | PAGE 0054 | | | | | PAGE 0054 | | | | | | | | | | | | | | | | |
| SIGNAL NAME | FR | SSC | DDM | PP | LBD | DWG | P | LAST | REV | SIGNAL NAME | FR | SSC | DDM | PP | LBD | DWG | P | LAST | REV | SIGNAL NAME | FR | SSC | DDM | PP | LBD | DWG | P | LAST | REV | | |
| RB01FF+ | 02A | 09F | 03 | 0127C03 | I | 22 | | | | RB03IN+ | 09A | 03E | 05 | 0103C01 | I | A2 | | | | | RB08FF+ | 09A | 11E | 02 | 0108G03 | I | B2 | | | | |
| ... | ... | ... | ... | ... | ... | ... | ... | ... | ... | ... | ... | ... | ... | ... | ... | ... | ... | ... | ... | ... | ... | ... | ... | ... | ... | ... | ... | ... | ... | | |
| RB01FF- | 02A | 02C | 06 | 0101C01 | O | 22 | | | | RB04IN+ | 09A | 01D | 08 | 0104B01 | O | A2 | | | | | RB09FF+ | 09A | 02E | 05 | 0108C01 | I | B2 | | | | |
| ... | ... | ... | ... | ... | ... | ... | ... | ... | ... | ... | ... | ... | ... | ... | ... | ... | ... | ... | ... | ... | ... | ... | ... | ... | ... | ... | ... | ... | ... | | |
| RB02IN+ | 09A | 02D | 03 | 0102B01 | O | A2 | | | | RB05FF+ | 09A | 03E | 07 | 0105C01 | I | A3 | | | | | RB09FF+H | 10A | 05C | 04 | 0100E06 | I | A2 | | | | |
| ... | ... | ... | ... | ... | ... | ... | ... | ... | ... | ... | ... | ... | ... | ... | ... | ... | ... | ... | ... | ... | ... | ... | ... | ... | ... | ... | ... | ... | ... | | |
| RB03FF+ | 09A | 09G | 02 | 0103G03 | I | A3 | | | | RB06FF+ | 09A | 01C | 07 | 0108B01 | I | A3 | | | | | RB09IN+ | 09A | 01C | 05 | 0109B01 | O | B2 | | | | |
| ... | ... | ... | ... | ... | ... | ... | ... | ... | ... | ... | ... | ... | ... | ... | ... | ... | ... | ... | ... | ... | ... | ... | ... | ... | ... | ... | ... | ... | ... | | |
| RB03IN+ | 09A | 02D | 07 | 0103B01 | O | A2 | | | | RB07FF+ | 09A | 01C | 04 | 0109B01 | O | B2 | | | | | RB10IN+ | 11A | 02C | 04 | 0110B01 | O | A2 | | | | |
| ... | ... | ... | ... | ... | ... | ... | ... | ... | ... | ... | ... | ... | ... | ... | ... | ... | ... | ... | ... | ... | ... | ... | ... | ... | ... | ... | ... | ... | ... | | |

PAGE 0054 DOCUMENT CONTINUED INDEX: RB01FF+

| CONDENSED SIGNAL-LIST | | | | | | | | | | CONDENSED SIGNAL-LIST | | | | | | | | | | | | | | | | | | | | |
|-----------------------|-----|-----|-----|---------|---------------------|-----|-----|------|-----|-----------------------|-----|-----|-----|---------|---------------------|-----|-----|------|-----|-------------|---------|-----|-----|-----|---------|-----|-----|------|-----|--|
| 716 CENTRAL PROCESSOR | | | | | TDP DRAWING NUMBER | | | | | 716 CENTRAL PROCESSOR | | | | | TDP DRAWING NUMBER | | | | | | | | | | | | | | | |
| 03075 K70032831-319 | | | | | 03075 K70032831-319 | | | | | 03075 K70032831-319 | | | | | 03075 K70032831-319 | | | | | | | | | | | | | | | |
| REV 10-15-75 | | | | | REV 10-15-75 | | | | | REV 10-15-75 | | | | | REV 10-15-75 | | | | | | | | | | | | | | | |
| FILE NAME 716CPUXX | | | | | FILE NAME 716CPUXX | | | | | FILE NAME 716CPUXX | | | | | FILE NAME 716CPUXX | | | | | | | | | | | | | | | |
| PAGE 0056 | | | | | PAGE 0056 | | | | | PAGE 0056 | | | | | PAGE 0056 | | | | | | | | | | | | | | | |
| SIGNAL NAME | FR | SSC | DDM | PP | LBD | DWG | P | LAST | REV | SIGNAL NAME | FR | SSC | DDM | PP | LBD | DWG | P | LAST | REV | SIGNAL NAME | FR | SSC | DDM | PP | LBD | DWG | P | LAST | REV | |
| RF04ST- | 08A | 22B | 06 | 0104B11 | O | 22 | | | | RF07FF- | 03A | 14B | 05 | 0122B05 | I | 22 | | | | | RF09FF- | 03A | 10B | 05 | 0122D09 | I | 22 | | | |
| ... | ... | ... | ... | ... | ... | ... | ... | ... | ... | ... | ... | ... | ... | ... | ... | ... | ... | ... | ... | ... | ... | ... | ... | ... | ... | ... | ... | ... | | |
| RF05FF- | 04A | 03C | 03 | 0120A10 | I | 22 | | | | RF07IN+ | 09A | 17C | 03 | 0107C11 | I | 22 | | | | | RF09IN+ | 10A | 14A | 03 | 0109B12 | O | 22 | | | |
| ... | ... | ... | ... | ... | ... | ... | ... | ... | ... | ... | ... | ... | ... | ... | ... | ... | ... | ... | ... | ... | ... | ... | ... | ... | ... | ... | ... | ... | | |
| RF05IN- | 09A | 13D | 07 | 0105B12 | O | A5 | | | | RF07ST- | 09A | 16B | 06 | 0107B11 | O | 22 | | | | | RF09ST- | 10A | 20B | 03 | 0109E11 | O | 22 | | | |
| ... | ... | ... | ... | ... | ... | ... | ... | ... | ... | ... | ... | ... | ... | ... | ... | ... | ... | ... | ... | ... | ... | ... | ... | ... | ... | ... | ... | ... | | |
| RF06FF- | 04A | 03C | 02 | 0120A10 | I | 22 | | | | RF08FF+ | 03A | 14E | 02 | 0123E09 | I | 22 | | | | | RF10FF+ | 03A | 12E | 04 | 0123D09 | I | 22 | | | |
| ... | ... | ... | ... | ... | ... | ... | ... | ... | ... | ... | ... | ... | ... | ... | ... | ... | ... | ... | ... | ... | ... | ... | ... | ... | ... | ... | ... | ... | | |
| RF06IN+ | 09A | 13C | 03 | 0106C11 | O | 22 | | | | RF08ST- | 09A | 18B | 04 | 0108C11 | O | 22 | | | | | RF10ST- | 10A | 17C | 04 | 0110B12 | O | 22 | | | |
| ... | ... | ... | ... | ... | ... | ... | ... | ... | ... | ... | ... | ... | ... | ... | ... | ... | ... | ... | ... | ... | ... | ... | ... | ... | ... | ... | ... | ... | | |
| RF07FF+ | 02A | 21B | 02 | 0129G02 | I | 22 | | | | RF09FF+ | 03A | 08A | 01 | 0124E06 | I | 22 | | | | | ... | ... | ... | ... | ... | ... | ... | ... | | |
| ... | ... | ... | ... | ... | ... | ... | ... | ... | ... | ... | ... | ... | ... | ... | ... | ... | ... | ... | ... | ... | ... | ... | ... | ... | ... | ... | ... | ... | | |

PAGE 0056 DOCUMENT CONTINUED INDEX: RF04ST-

| CONDENSED SIGNAL-LIST | | | | | | | | | | CONDENSED SIGNAL-LIST | | | | | | | | | | | | | | | | | | | | |
|-----------------------|-----|-----|-----|---------|---------------------|-----|-----|------|-----|-----------------------|-----|-----|-----|---------|---------------------|-----|-----|------|-----|-------------|---------|-----|-----|-----|---------|-----|-----|------|-----|--|
| 716 CENTRAL PROCESSOR | | | | | TDP DRAWING NUMBER | | | | | 716 CENTRAL PROCESSOR | | | | | TDP DRAWING NUMBER | | | | | | | | | | | | | | | |
| 03075 K70032831-319 | | | | | 03075 K70032831-319 | | | | | 03075 K70032831-319 | | | | | 03075 K70032831-319 | | | | | | | | | | | | | | | |
| REV 10-15-75 | | | | | REV 10-15-75 | | | | | REV 10-15-75 | | | | | REV 10-15-75 | | | | | | | | | | | | | | | |
| FILE NAME 716CPUXX | | | | | FILE NAME 716CPUXX | | | | | FILE NAME 716CPUXX | | | | | FILE NAME 716CPUXX | | | | | | | | | | | | | | | |
| PAGE 0055 | | | | | PAGE 0055 | | | | | PAGE 0055 | | | | | PAGE 0055 | | | | | | | | | | | | | | | |
| SIGNAL NAME | FR | SSC | DDM | PP | LBD | DWG | P | LAST | REV | SIGNAL NAME | FR | SSC | DDM | PP | LBD | DWG | P | LAST | REV | SIGNAL NAME | FR | SSC | DDM | PP | LBD | DWG | P | LAST | REV | |
| RB11IN+ | 11A | 02G | 07 | 0111B01 | O | A2 | | | | RF02FF+ | 03B | 10E | 02 | 0122E03 | I | 22 | | | | | RF13FF+ | 03B | 11D | 06 | 0124C07 | I | A5 | | | |
| ... | ... | ... | ... | ... | ... | ... | ... | ... | ... | ... | ... | ... | ... | ... | ... | ... | ... | ... | ... | ... | ... | ... | ... | ... | ... | ... | ... | ... | | |
| RB12FF+ | 10A | 15E | 04 | 0115E01 | I | A3 | | | | RF02FF- | 04A | 01A | 05 | 0120B04 | I | 22 | | | | | RF13FF- | 03A | 10A | 03 | 0138A09 | I | 22 | | | |
| ... | ... | ... | ... | ... | ... | ... | ... | ... | ... | ... | ... | ... | ... | ... | ... | ... | ... | ... | ... | ... | ... | ... | ... | ... | ... | ... | ... | ... | | |
| RB12IN+ | 11A | 01G | 08 | 0112B01 | O | A3 | | | | RF02IN+ | 08A | 21A | 03 | 0102C11 | O | 22 | | | | | RF13IN+ | 11A | 20G | 03 | 0113B12 | O | 22 | | | |
| ... | ... | ... | ... | ... | ... | ... | ... | ... | ... | ... | ... | ... | ... | ... | ... | ... | ... | ... | ... | ... | ... | ... | ... | ... | ... | ... | ... | ... | | |
| RB13FF+ | 11A | 02D | 06 | 0113B01 | O | A3 | | | | RF02ST- | 08A | 21B | 05 | 0102C11 | I | 22 | | | | | RF13ST- | 11A | 20B | 06 | 0113B11 | O | 22 | | | |
| ... | ... | ... | ... | ... | ... | ... | ... | ... | ... | ... | ... | ... | ... | ... | ... | ... | ... | ... | ... | ... | ... | ... | ... | ... | ... | ... | ... | ... | | |
| RB13IN+ | 11A | 01E | 05 | 0113B01 | O | B2 | | | | RF02FF+ | 04A | 01B | 04 | 0138E08 | I | 22 | | | | | RF14FF+ | 03A | 08F | 03 | 0119D08 | I | 22 | | | |
| ... | ... | ... | ... | ... | ... | ... | ... | ... | ... | ... | ... | ... | ... | ... | ... | ... | ... | ... | ... | ... | ... | ... | ... | ... | ... | ... | ... | ... | | |
| RB14FF+ | 02A | 15B | 04 | 0130G04 | I | A1 | | | | RF02IN+ | 08A | 21A | 03 | 0102C11 | O | 22 | | | | | RF14FF- | 03A | 12B | 04 | 0119C11 | I | 22 | | | |
| ... | ... | ... | ... | ... | ... | ... | ... | ... | ... | ... | ... | ... | ... | ... | ... | ... | ... | ... | ... | ... | ... | ... | ... | ... | ... | ... | ... | ... | | |
| RB14IN+ | 11A | 02D | 04 | 0114B01 | O | B2 | | | | RF02ST- | 08A | 21B | 05 | 0102C11 | I | 22 | | | | | RF14IN+ | 11A | 20G | 03 | 0113B12 | O | 22 | | | |
| ... | ... | ... | ... | ... | ... | ... | ... | ... | ... | ... | ... | ... | ... | ... | ... | ... | ... | ... | ... | ... | ... | ... | ... | ... | ... | ... | ... | ... | | |
| RB15FF+ | 02A | 12C | 04 | 0117B07 | I | A1 | | | | RF02FF- | 04A | 01C | 03 | 0120A10 | I | 22 | | | | | RF14ST- | 11A | 21A | 05 | 0114C11 | O | 22 | | | |
| ... | ... | ... | ... | ... | ... | ... | ... | ... | ... | ... | ... | ... | ... | ... | ... | ... | ... | ... | ... | ... | ... | ... | ... | ... | ... | ... | ... | ... | | |

PAGE 0055 DOCUMENT CONTINUED INDEX: RB11IN+

| CONDENSED SIGNAL-LIST | | | | | | | | | | CONDENSED SIGNAL-LIST | | | | | | | | | | | | | | | | | | | | |
|-----------------------|-----|-----|-----|---------|---------------------|-----|-----|------|-----|-----------------------|-----|-----|-----|---------|---------------------|-----|-----|------|-----|-------------|---------|-----|-----|-----|---------|-----|-----|------|-----|--|
| 716 CENTRAL PROCESSOR | | | | | TDP DRAWING NUMBER | | | | | 716 CENTRAL PROCESSOR | | | | | TDP DRAWING NUMBER | | | | | | | | | | | | | | | |
| 03075 K70032831-319 | | | | | 03075 K70032831-319 | | | | | 03075 K70032831-319 | | | | | 03075 K70032831-319 | | | | | | | | | | | | | | | |
| REV 10-15-75 | | | | | REV 10-15-75 | | | | | REV 10-15-75 | | | | | REV 10-15-75 | | | | | | | | | | | | | | | |
| FILE NAME 716CPUXX | | | | | FILE NAME 716CPUXX | | | | | FILE NAME 716CPUXX | | | | | FILE NAME 716CPUXX | | | | | | | | | | | | | | | |
| PAGE 0057 | | | | | PAGE 0057 | | | | | PAGE 0057 | | | | | PAGE 0057 | | | | | | | | | | | | | | | |
| SIGNAL NAME | FR | SSC | DDM | PP | LBD | DWG | P | LAST | REV | SIGNAL NAME | FR | SSC | DDM | PP | LBD | DWG | P | LAST | REV | SIGNAL NAME | FR | SSC | DDM | PP | LBD | DWG | P | LAST | REV | |
| RF11FF+ | 03A | 10E | 02 | 0122E03 | I | 22 | | | | RF13FF+ | 03B | 11D | 06 | 0124C07 | I | A5 | | | | | RF15FF+ | 11A | 22B | 05 | 0115C11 | O | 22 | | | |
| ... | ... | ... | ... | ... | ... | ... | ... | ... | ... | ... | ... | ... | ... | ... | ... | ... | ... | ... | ... | ... | ... | ... | ... | ... | ... | ... | ... | ... | | |
| RF11FF- | 03A | 08A | 02 | 0124E06 | I | 22 | | | | RF13FF- | 03A | 10A | 03 | 0138A09 | I | 22 | | | | | RF15FF- | 03A | 10A | 03 | 0138A09 | I | 22 | | | |
| ... | ... | ... | ... | ... | ... | ... | ... | ... | ... | ... | ... | ... | ... | ... | ... | ... | ... | ... | ... | ... | ... | ... | ... | ... | ... | ... | ... | ... | | |
| RF12IN+ | 10A | 13A | 04 | 0112B12 | O | 22 | | | | RF14FF+ | 03A | 08F | 03 | 0119D08 | I | 22 | | | | | RF15IN+ | 11A | 22B | 05 | 0115C11 | O | 22 | | | |
| ... | ... | ... | | | | | | | | | | | | | | | | | | | | | | | | | | | | |

| CONDENSED SIGNAL-LIST 716 CENTRAL PROCESSOR | | | | | | | | | | TDP DRAWING NUMBER 03075 K70032831-319 | | | | | | | | | | REV DATE FILE NAME S PAGE F 10-15-75 716CPURX F 0066 | | | | | | | | | |
|--|-----|-----|-----|---------|-----------------|--------------|-------------|-----|-----|---|------|-----------------|--------------|-------------|----|---------|------|----|-----------------|---|--|--|--|--|--|--|--|--|--|
| SIGNAL NAME | FR | SSC | DUM | PP | LBU DWG LOCATOR | P LAST T REV | SIGNAL NAME | FR | SSC | DDM | PP | LBU DWG LOCATOR | P LAST T REV | SIGNAL NAME | FR | SSC | DDM | PP | LBU DWG LOCATOR | P LAST T REV | | | | | | | | | |
| RTCAK- | 05A | 09F | 06 | 0147E04 | I 22 | RTCSK5+ | 05A | 02E | 06 | 0147C10 | O 22 | RTX0FF+ | 10A | 05C | 02 | 0100E06 | I A3 | | | | | | | | | | | | |
| RTCBRK+ | 05A | 20F | 06 | 0147A07 | O 22 | RTCSK6+ | 05A | 03F | 06 | 0147C09 | O 22 | RTX1FF+ | 10A | 05E | 04 | 0109E05 | O A4 | | | | | | | | | | | | |
| RTCCLK+ | 05A | 09G | 06 | 0147E04 | O 22 | RTCTRG+ | 05A | 10E | 06 | 0147F03 | O B2 | RTX2FF+ | 10A | 05F | 02 | 0109F04 | I A2 | | | | | | | | | | | | |
| RTCCLK- | 05A | 09G | 07 | 0147E04 | O 22 | RTX01FF+ | 08A | 13F | 02 | 0100B09 | I 22 | RTX11FF+ | 10A | 05E | 08 | 0111E05 | O A4 | | | | | | | | | | | | |
| RTCENB+ | 05A | 04G | 05 | 0147D04 | O 22 | RTX02FF+ | 08A | 13C | 02 | 0100C02 | I 22 | RTX12FF+ | 10A | 05E | 10 | 0112E05 | O A4 | | | | | | | | | | | | |
| RTCENB- | 05A | 04G | 06 | 0147D04 | O 22 | RTX03FF+ | 08A | 13G | 04 | 0102B08 | I 22 | RTX13FF+ | 10A | 04E | 11 | 0113E05 | O B2 | | | | | | | | | | | | |
| RTICL- | 05A | 09F | 04 | 0147D06 | O A3 | RTX04FF+ | 08A | 15F | 02 | 0100C08 | I 22 | RTX14FF+ | 10A | 04E | 09 | 0114E05 | O B2 | | | | | | | | | | | | |
| RTICL+ | 05A | 14F | 08 | 0147D07 | I A3 | RTX05FF+ | 08A | 07C | 02 | 0100D01 | I B2 | RTX15FF+ | 10A | 04E | 07 | 0115E05 | O B2 | | | | | | | | | | | | |
| RTICNT+ | 05A | 13F | 06 | 0147D07 | O 22 | RTX06FF+ | 09A | 08E | 07 | 0107E05 | O B2 | RY01FF+ | 08A | 08A | 04 | 0101F08 | I B2 | | | | | | | | | | | | |
| RTICNT- | 05A | 13F | 07 | 0147D07 | O 22 | RTX07FF+ | 09A | 11E | 06 | 0107F04 | I A3 | RY01FF- | 08A | 08A | 05 | 0101F08 | I B2 | | | | | | | | | | | | |
| RTICRS+ | 04A | 19G | 02 | 0129E03 | I A1 | RTX08FF+ | 09A | 07D | 02 | 0100E03 | I B2 | RY07FF+ | 09A | 14F | 03 | 0100D07 | I 22 | | | | | | | | | | | | |
| RTICRS- | 05A | 10F | 05 | 0147E04 | I 22 | RY02FF- | 09A | 21C | 05 | 0105G11 | I 22 | RY07FF- | 09A | 21C | 02 | 0107G07 | I 22 | | | | | | | | | | | | |
| RTICLK+ | 05A | 08G | 06 | 0147E02 | O 22 | RY03FF- | 09A | 21C | 04 | 0103G07 | O 22 | RY07FF+ | 09A | 21C | 04 | 0103G07 | O 22 | | | | | | | | | | | | |
| RTICLK- | 05A | 09G | 04 | 0147E04 | I 22 | RY03FF+ | 09A | 21C | 03 | 0103G08 | O 22 | RY07FF- | 09A | 21C | 02 | 0103G07 | O 22 | | | | | | | | | | | | |
| RTCSK+ | 05A | 03G | 07 | 0147D09 | O 22 | RY04FF- | 08A | 21F | 02 | 0104G07 | I 22 | RY09FF+ | 10A | 01U | 03 | 0109G07 | O 22 | | | | | | | | | | | | |
| RTCSK- | 05A | 13G | 02 | 0147F09 | I 22 | RY04FF+ | 08A | 21F | 03 | 0104G08 | O 22 | RY09FF- | 10A | 01U | 02 | 0109G07 | O 22 | | | | | | | | | | | | |
| RTCOCP+ | 05A | 01E | 07 | 0147C04 | O 22 | RY05CY+ | 08A | 21G | 07 | 0101G08 | I B2 | RY10FF+ | 10A | 01D | 05 | 0110G07 | O 22 | | | | | | | | | | | | |
| RTCOCP- | 05A | 02D | 04 | 0147C06 | I 22 | RY05CY- | 08A | 21G | 07 | 0102G08 | I B2 | RY10FF- | 10A | 01D | 04 | 0110G07 | O 22 | | | | | | | | | | | | |
| RTC/ML- | 05A | 19E | 04 | 0129A10 | O 22 | RY06FF+ | 09A | 05A | 03 | 0106F10 | I 22 | RY11FF+ | 10A | 02D | 02 | 0110G07 | O 22 | | | | | | | | | | | | |
| | 05A | 21E | 06 | 0129B10 | I 22 | RY06FF- | 09A | 21B | 05 | 0106G07 | O 22 | RY11FF- | 10A | 01C | 04 | 0109G11 | I 22 | | | | | | | | | | | | |

PAGE 0066

DOCUMENT CONTINUED

INDEX: RTCAK-

| CONDENSED SIGNAL-LIST 716 CENTRAL PROCESSOR | | | | | | | | | | TDP DRAWING NUMBER 03075 K70032831-319 | | | | | | | | | | REV DATE FILE NAME S PAGE F 10-15-75 716CPURX F 0067 | | | | | | | | | |
|--|-----|-----|-----|---------|-----------------|--------------|-------------|-----|-----|---|------|-----------------|--------------|-------------|----|---------|------|----|-----------------|---|--|--|--|--|--|--|--|--|--|
| SIGNAL NAME | FR | SSC | DUM | PP | LBU DWG LOCATOR | P LAST T REV | SIGNAL NAME | FR | SSC | DDM | PP | LBU DWG LOCATOR | P LAST T REV | SIGNAL NAME | FR | SSC | DDM | PP | LBU DWG LOCATOR | P LAST T REV | | | | | | | | | |
| RY02FF- | 08A | 21F | 05 | 0102G08 | O 22 | RY07FF+ | 09A | 21C | 04 | 0107G08 | O 22 | RY13CY+ | 10A | 01C | 07 | 0109G11 | I 22 | | | | | | | | | | | | |
| RY03FF+ | 08A | 07B | 03 | 0103F10 | I 22 | RY08FF+ | 09A | 08D | 03 | 0100E03 | I 22 | RY13FF- | 11A | 03C | 03 | 0113G07 | O 22 | | | | | | | | | | | | |
| RY03FF- | 08A | 14F | 03 | 0103G05 | I 22 | RY08FF- | 09A | 19A | 02 | 0108F10 | O 22 | RY13FF+ | 11A | 04G | 01 | 0113G05 | O 22 | | | | | | | | | | | | |
| RY04FF+ | 08A | 18E | 02 | 0103G05 | I 22 | RY09CY+ | 09A | 21C | 07 | 0107G08 | O 22 | RY13FF- | 11A | 03A | 06 | 0113G04 | O 22 | | | | | | | | | | | | |
| RY04FF- | 08A | 21F | 04 | 0103G07 | O 22 | RY09CY- | 09A | 21C | 07 | 0107G08 | O 22 | RY14FF+ | 11A | 03A | 06 | 0113G04 | O 22 | | | | | | | | | | | | |
| RY05CY+ | 08A | 11B | 03 | 0104F10 | I 22 | RY09FF+ | 10A | 01U | 03 | 0109G07 | O 22 | RY14FF- | 11A | 03A | 06 | 0113G04 | O 22 | | | | | | | | | | | | |
| RY05CY- | 08A | 11B | 06 | 0104F10 | I 22 | RY10FF+ | 10A | 04E | 02 | 0110G05 | I 22 | RY15FF+ | 01A | 01B | 05 | 0130E06 | I 22 | | | | | | | | | | | | |
| RY06FF+ | 08A | 20F | 02 | 0104G05 | I 22 | RY10FF- | 10A | 04E | 02 | 0110G05 | I 22 | RY15FF- | 01A | 01B | 04 | 0130E06 | I 22 | | | | | | | | | | | | |
| RY06FF- | 08A | 21F | 03 | 0104G07 | O 22 | RY11FF+ | 10A | 02D | 02 | 0110G07 | O 22 | RY16FF+ | 01A | 01D | 02 | 0130E07 | I 22 | | | | | | | | | | | | |
| RY07FF+ | 09A | 14F | 03 | 0100D07 | I 22 | RY11FF- | 10A | 01C | 04 | 0109G11 | I 22 | RY16FF- | 01A | 01D | 01 | 0130E07 | I 22 | | | | | | | | | | | | |
| RY07FF- | 09A | 21C | 02 | 0107G07 | O 22 | RY12FF+ | 10A | 02D | 03 | 0111G07 | I 22 | RY16FF+ | 01A | 01D | 02 | 0130E07 | I 22 | | | | | | | | | | | | |
| RY08FF+ | 09A | 08D | 03 | 0100E03 | I 22 | RY12FF- | 10A | 01C | 04 | 0109G11 | I 22 | RY16FF- | 01A | 01D | 01 | 0130E07 | I 22 | | | | | | | | | | | | |
| RY08FF- | 09A | 19A | 02 | 0108F10 | O 22 | RY13CY+ | 10A | 01C | 07 | 0109G08 | I 22 | | | | | | | | | | | | | | | | | | |

PAGE 0067

DOCUMENT CONTINUED

INDEX: RY02FF-

| CONDENSED SIGNAL-LIST 716 CENTRAL PROCESSOR | | | | | | | | | | TDP DRAWING NUMBER 03075 K70032831-319 | | | | | | | | | | REV DATE FILE NAME S PAGE F 10-15-75 716CPURX F 0066A | | | | | | | | | |
|--|-----|-----|-----|---------|-----------------|--------------|-------------|-----|-----|---|------|-----------------|--------------|-------------|----|---------|------|----|-----------------|--|--|--|--|--|--|--|--|--|--|
| SIGNAL NAME | FR | SSC | DUM | PP | LBU DWG LOCATOR | P LAST T REV | SIGNAL NAME | FR | SSC | DDM | PP | LBU DWG LOCATOR | P LAST T REV | SIGNAL NAME | FR | SSC | DDM | PP | LBU DWG LOCATOR | P LAST T REV | | | | | | | | | |
| RY02FF+ | 08A | 03B | 02 | 0102F10 | I 22 | SLRB16+ | 03A | 18D | 06 | 0123G08 | O 22 | RY02FF+ | 08A | 03B | 02 | 0102F10 | I 22 | | | | | | | | | | | | |
| RY02FF- | 08A | 03B | 06 | 0102F10 | I 22 | SLRB16- | 03A | 18D | 06 | 0123G08 | O 22 | RY02FF- | 08A | 03B | 06 | 0102F10 | I 22 | | | | | | | | | | | | |
| RY03FF+ | 08A | 04C | 02 | 0102G10 | I 22 | SKPCON+2 | 03A | 16G | 00 | 0119B07 | O B2 | RY03FF+ | 08A | 04C | 02 | 0102G10 | I 22 | | | | | | | | | | | | |
| RY03FF- | 08A | 14C | 03 | 0103C02 | I 22 | SKPCON+3 | 03A | 18F | 00 | 0119B08 | O B2 | RY03FF- | 08A | 14C | 03 | 0103C02 | I 22 | | | | | | | | | | | | |
| RY04FF+ | 08A | 20E | 02 | 0102G09 | I 22 | SKPCON+4 | 03A | 16G | 00 | 0119B09 | O B2 | RY04FF+ | 08A | 20E | 02 | 0102G09 | I 22 | | | | | | | | | | | | |
| RY04FF- | 08A | 21F | 07 | 0102G07 | O 22 | SKPCON+5 | 03A | 18F | 00 | 0119B10 | O B2 | RY04FF- | 08A | 21F | 07 | 0102G07 | O 22 | | | | | | | | | | | | |
| RY05CY+ | 08A | 11B | 03 | 0104F10 | I 22 | SKPCON+6 | 03A | 18F | 00 | 0119B11 | O B2 | RY05CY+ | 08A | 11B | 03 | 0104F10 | I 22 | | | | | | | | | | | | |
| RY05CY- | 08A | 11B | 06 | 0104F10 | I 22 | SKPCON+ | 03A | 02F | 01 | 0119C05 | I B2 | RY05CY- | 08A | 11B | 06 | 0104F10 | I 22 | | | | | | | | | | | | |
| RY06FF+ | 08A | 20F | 02 | 0104G05 | I 22 | SKPCON- | 03A | 02F | 02 | 0119C05 | I B2 | RY06FF+ | 08A | 20F | 02 | 0104G05 | I 22 | | | | | | | | | | | | |
| RY06FF- | 08A | 21F | 03 | 0104G07 | O 22 | SKPCON+X | 03A | 15F | 06 | 0119B05 | N B2 | RY06FF- | 08A | 21F | 03 | 0104G07 | O 22 | | | | | | | | | | | | |
| RY07FF+ | 09A | 14F | 03 | 0100D07 | I 22 | SKPCON+Y | 03A | 15G | 07 | 0119B07 | O B2 | RY07FF+ | 09A | 14F | 03 | 0100D07 | I 22 | | | | | | | | | | | | |
| RY07FF- | 09A | 21C | 02 | 0107G07 | O 22 | SKPCON+Z | 03A | 17F | 05 | 0119B11 | O B2 | RY07FF- | 09A | 21C | 02 | 0107G07 | O 22 | | | | | | | | | | | | |
| RY08FF+ | 09A | 08D | 03 | 0100E03 | I 22 | SKPCON+AA | 03A | 17F | 06 | 0119B08 | O B2 | RY08FF+ | 09A | 08D | 03 | 0100E03 | I 22 | | | | | | | | | | | | |
| RY08FF- | 09A | 19A | 02 | 0108F10 | O 22 | SKPCON+AB | 03A | 17F | 07 | 0119B10 | O B2 | RY08FF- | 09A | 19A | 02 | 0108F10 | O 22 | | | | | | | | | | | | |
| RY09CY+ | 09A | 21C | 07 | 0107G08 | O 22 | SKPCON+AC | 03A | 05D | 40 | 0119E07 | I 22 | RY09CY+ | 09A | 21C | 07 | 0107G08 | O 22 | | | | | | | | | | | | |
| RY09CY- | 09A | 21C | 07 | 0107G08 | O 22 | SKPCON+AD | 03A | 05D | 40 | 0119E07 | I 22 | RY09CY- | 09A | 21C | 07 | 0107G08 | O 22 | | | | | | | | | | | | |
| RY10FF+ | 10A | 04E | 02 | 0110G05 | I 22 | SKPCON+AE | 03A | 18D | 06 | 0123G08 | O 22 | RY10FF+ | 10A | 04E | 02 | 0110G05 | I 22 | | | | | | | | | | | | |
| RY10FF- | 10A | 04E | 02 | 0110G05 | I 22 | SKPCON+AF | 11A | 21D | 02 | 0116E01 | I 22 | RY10FF- | 10A | 04E | 02 | 0110G05 | I 22 | | | | | | | | | | | | |
| RY11FF+ | 10A | 02D | 02 | 0110G07 | O 22 | SKPCON+AG | 11B | 58 | 23 | 23 | 23 | RY11FF+ | 10A | 02D | 02 | 0110G07 | O 22 | | | | | | | | | | | | |
| RY11FF- | 10A | 01C | 04 | 0109G11 | I 22 | SKPCON+AH | 03A | 22B | 06 | 0123G06 | O 22 | RY11FF- | 10A | 01C | 04 | 0109G11 | I 22 | | | | | | | | | | | | |
| RY12FF+ | 10A | 02D | 03 | 0111G07 | I 22 | SKPCON+AI | 03A | 01A | 69 | 0101B01 | I 22 | RY12FF+ | 10A | 02D | 03 | 0111G07 | I 22 | | | | | | | | | | | | |
| RY12FF- | 10A | 01C | 04 | 0109G11 | I 22 | SKPCON+AJ | 03A | 01A | 30 | 0101B01 | I 22 | RY12FF- | 10A | 01C | 04 | 0109G11 | I 22 | | | | | | | | | | | | |
| RY13CY+ | 10A | 01C | 07 | 0109G08 | I 22 | SKPCON+AK | 03A | 19A | 07 | 0123G07 | O 22 | | | | | | | | | | | | | | | | | | |

| CONDENSED SIGNAL-LIST 716 CENTRAL PROCESSOR | | | | | | | | | | TDP DRAWING NUMBER 03075 K70032831-319 | | | | | | | | | | REV DATE FILE NAME 10-15-75 716CPXXX | | | | | | | | | | PAGE 0069 | | | | | | | | | |
|--|-----|-----|-----|---------|-----|-----|---|------|-----|---|-----|-----|-----|---------|-----|-----|---|------|-----|---|---------|-----|-----|---------|---------|---------|----|------|-----|--------------|--|--|--|--|--|--|--|--|--|
| SIGNAL NAME | FR | SSC | DDM | PP | LBD | DWG | P | LAST | REV | SIGNAL NAME | FR | SSC | DDM | PP | LBD | DWG | P | LAST | REV | SIGNAL NAME | FR | SSC | DDM | PP | LBD | DWG | P | LAST | REV | | | | | | | | | | |
| TDS085- | D6A | 08D | 03 | 0118C03 | 0 | 22 | | | | TLFCYC- | 01A | 03E | 02 | 0119G01 | I | C5 | | | | TLIPSP+ | 01A | 03A | 06 | 0128G02 | I | B3 | | | | | | | | | | | | | |
| TDS090- | D6A | 07D | 03 | 0118C03 | 0 | 22 | | | | TLFCYC- | 01A | 03E | 03 | 0119G01 | I | C5 | | | | | TLIPSP+ | 01A | 04A | 06 | 0128G02 | I | B3 | | | | | | | | | | | | |
| TDS095- | D6A | 08D | 02 | 0118C03 | 0 | 22 | | | | TLFCYC- | 01A | 03E | 06 | 0119G01 | I | C5 | | | | | TLIPSP+ | 01A | 05B | 03 | 0128G02 | I | B3 | | | | | | | | | | | | |
| TDS100- | D6J | 04C | 03 | 0118D04 | R | A2 | | | | TLFCYC- | 01A | 03E | 07 | 0119G01 | I | C5 | | | | | TLIPSP+ | 01A | 08C | 05 | 0119E06 | I | B3 | | | | | | | | | | | | |
| TDSLAT- | D6A | 07E | 02 | 0118F10 | I | A2 | | | | TLF/IC+ | 01A | 03D | 07 | 0128B08 | O | E1 | | | | | TLIPSP- | 01A | 04B | 01 | 0128D01 | I | C8 | | | | | | | | | | | | |
| TDSNRM- | D6A | 10E | 01 | 0118F07 | I | A3 | | | | TLF/IC+ | 01A | 03D | 07 | 0128B08 | O | E1 | | | | | TLIPSP- | 01A | 05A | 15A | 06 | 0122G07 | I | B3 | | | | | | | | | | | |
| TDSTOP+ | D6A | 06D | 06 | 0118A06 | O | A6 | | | | TLF/IC+ | 01A | 17A | 06 | 0129B07 | I | 22 | | | | | TLIPSP- | 01A | 06B | 48 | 0129E05 | I | B3 | | | | | | | | | | | | |
| TDSTOP- | D6A | 06D | 04 | 0118A06 | I | A6 | | | | TLF/IC+ | 01A | 17B | 05 | 0129A03 | I | 22 | | | | | TLXCYC+ | 01A | 13B | 05 | 0129F06 | I | 22 | | | | | | | | | | | | |
| TDSTOP-S | D6A | 06F | 05 | 0118F05 | I | A3 | | | | TLF/IC+ | 01A | 17C | 06 | 0129A03 | I | 22 | | | | | TLXCYC+ | 01A | 20A | 06 | 0129F04 | O | 22 | | | | | | | | | | | | |
| TLFCYC+ | 01A | 03E | 07 | 0119G01 | O | E1 | | | | TLF/IC+ | 01A | 17C | 06 | 0129A03 | I | 22 | | | | | TLXCYC+ | 01A | 20B | 05 | 0129F05 | I | 22 | | | | | | | | | | | | |
| | 01A | 17F | 02 | 0128B10 | I | E1 | | | | TLF/IC+ | 01A | 19C | 07 | 0119G02 | O | C5 | | | | | TLXCYC+ | 01A | 21E | 03 | 0119G04 | O | 22 | | | | | | | | | | | | |
| | 01A | 20B | 04 | 0129G05 | I | A6 | | | | TLF/IC+ | 01A | 21E | 03 | 0119G04 | O | 22 | | | | | TLXCYC- | 01A | 15E | 06 | 0123B07 | I | 22 | | | | | | | | | | | | |
| | 01A | 20E | 04 | 0127F02 | I | A6 | | | | TLF/IC+ | 01A | 21E | 03 | 0119G04 | O | 22 | | | | | TLXCYC- | 01A | 19C | 06 | 0119G02 | I | 22 | | | | | | | | | | | | |
| | 01A | 20G | 04 | 0129F04 | I | A6 | | | | TLF/IC+ | 01A | 21E | 03 | 0119G04 | O | 22 | | | | | TLXCYC- | 01A | 21C | 05 | 0119G05 | I | 22 | | | | | | | | | | | | |
| | 01A | 21D | 06 | 0127F08 | I | A6 | | | | TLF/IC+ | 01A | 21E | 03 | 0119G04 | O | 22 | | | | | TLXCYC- | 01A | 21C | 05 | 0119G05 | I | 22 | | | | | | | | | | | | |
| | 01A | 21D | 06 | 0127F08 | I | A6 | | | | TLF/IC+ | 01A | 21E | 03 | 0119G04 | O | 22 | | | | | TLXCYC- | 01A | 21C | 05 | 0119G05 | I | 22 | | | | | | | | | | | | |
| | 01A | 21D | 06 | 0127F08 | I | A6 | | | | TLF/IC+ | 01A | 21E | 03 | 0119G04 | O | 22 | | | | | TLXCYC- | 01A | 21C | 05 | 0119G05 | I | 22 | | | | | | | | | | | | |
| | 01A | 21D | 06 | 0127F08 | I | A6 | | | | TLF/IC+ | 01A | 21E | 03 | 0119G04 | O | 22 | | | | | TLXCYC- | 01A | 21C | 05 | 0119G05 | I | 22 | | | | | | | | | | | | |
| | 01A | 21D | 06 | 0127F08 | I | A6 | | | | TLF/IC+ | 01A | 21E | 03 | 0119G04 | O | 22 | | | | | TLXCYC- | 01A | 21C | 05 | 0119G05 | I | 22 | | | | | | | | | | | | |
| | 01A | 21D | 06 | 0127F08 | I | A6 | | | | TLF/IC+ | 01A | 21E | 03 | 0119G04 | O | 22 | | | | | TLXCYC- | 01A | 21C | 05 | 0119G05 | I | 22 | | | | | | | | | | | | |
| | 01A | 21D | 06 | 0127F08 | I | A6 | | | | TLF/IC+ | 01A | 21E | 03 | 0119G04 | O | 22 | | | | | TLXCYC- | 01A | 21C | 05 | 0119G05 | I | 22 | | | | | | | | | | | | |
| | 01A | 21D | 06 | 0127F08 | I | A6 | | | | TLF/IC+ | 01A | 21E | 03 | 0119G04 | O | 22 | | | | | TLXCYC- | 01A | 21C | 05 | 0119G05 | I | 22 | | | | | | | | | | | | |
| | 01A | 21D | 06 | 0127F08 | I | A6 | | | | TLF/IC+ | 01A | 21E | 03 | 0119G04 | O | 22 | | | | | TLXCYC- | 01A | 21C | 05 | 0119G05 | I | 22 | | | | | | | | | | | | |
| | 01A | 21D | 06 | 0127F08 | I | A6 | | | | TLF/IC+ | 01A | 21E | 03 | 0119G04 | O | 22 | | | | | TLXCYC- | 01A | 21C | 05 | 0119G05 | I | 22 | | | | | | | | | | | | |
| | 01A | 21D | 06 | 0127F08 | I | A6 | | | | TLF/IC+ | 01A | 21E | 03 | 0119G04 | O | 22 | | | | | TLXCYC- | 01A | 21C | 05 | 0119G05 | I | 22 | | | | | | | | | | | | |
| | 01A | 21D | 06 | 0127F08 | I | A6 | | | | TLF/IC+ | 01A | 21E | 03 | 0119G04 | O | 22 | | | | | TLXCYC- | 01A | 21C | 05 | 0119G05 | I | 22 | | | | | | | | | | | | |
| | 01A | 21D | 06 | 0127F08 | I | A6 | | | | TLF/IC+ | 01A | 21E | 03 | 0119G04 | O | 22 | | | | | TLXCYC- | 01A | 21C | 05 | 0119G05 | I | 22 | | | | | | | | | | | | |
| | 01A | 21D | 06 | 0127F08 | I | A6 | | | | TLF/IC+ | 01A | 21E | 03 | 0119G04 | O | 22 | | | | | TLXCYC- | 01A | 21C | 05 | 0119G05 | I | 22 | | | | | | | | | | | | |
| | 01A | 21D | 06 | 0127F08 | I | A6 | | | | TLF/IC+ | 01A | 21E | 03 | 0119G04 | O | 22 | | | | | TLXCYC- | 01A | 21C | 05 | 0119G05 | I | 22 | | | | | | | | | | | | |
| | 01A | 21D | 06 | 0127F08 | I | A6 | | | | TLF/IC+ | 01A | 21E | 03 | 0119G04 | O | 22 | | | | | TLXCYC- | 01A | 21C | 05 | 0119G05 | I | 22 | | | | | | | | | | | | |
| | 01A | 21D | 06 | 0127F08 | I | A6 | | | | TLF/IC+ | 01A | 21E | 03 | 0119G04 | O | 22 | | | | | TLXCYC- | 01A | 21C | 05 | 0119G05 | I | 22 | | | | | | | | | | | | |
| | 01A | 21D | 06 | 0127F08 | I | A6 | | | | TLF/IC+ | 01A | 21E | 03 | 0119G04 | O | 22 | | | | | TLXCYC- | 01A | 21C | 05 | 0119G05 | I | 22 | | | | | | | | | | | | |
| | 01A | 21D | 06 | 0127F08 | I | A6 | | | | TLF/IC+ | 01A | 21E | 03 | 0119G04 | O | 22 | | | | | TLXCYC- | 01A | 21C | 05 | 0119G05 | I | 22 | | | | | | | | | | | | |
| | 01A | 21D | 06 | 0127F08 | I | A6 | | | | TLF/IC+ | 01A | 21E | 03 | 0119G04 | O | 22 | | | | | TLXCYC- | 01A | 21C | 05 | 0119G05 | I | 22 | | | | | | | | | | | | |
| | 01A | 21D | 06 | 0127F08 | I | A6 | | | | TLF/IC+ | 01A | 21E | 03 | 0119G04 | O | 22 | | | | | TLXCYC- | 01A | 21C | 05 | 0119G05 | I | 22 | | | | | | | | | | | | |
| | 01A | 21D | 06 | 0127F08 | I | A6 | | | | TLF/IC+ | 01A | 21E | 03 | 0119G04 | O | 22 | | | | | TLXCYC- | 01A | 21C | 05 | 0119G05 | I | 22 | | | | | | | | | | | | |
| | 01A | 21D | 06 | 0127F08 | I | A6 | | | | TLF/IC+ | 01A | 21E | 03 | 0119G04 | O | 22 | | | | | TLXCYC- | 01A | 21C | 05 | 0119G05 | I | 22 | | | | | | | | | | | | |
| | 01A | 21D | 06 | 0127F08 | I | A6 | | | | TLF/IC+ | 01A | 21E | 03 | 0119G04 | O | 22 | | | | | TLXCYC- | 01A | 21C | 05 | 0119G05 | I | 22 | | | | | | | | | | | | |
| | 01A | 21D | 06 | 0127F08 | I | A6 | | | | TLF/IC+ | 01A | 21E | 03 | 0119G04 | O | 22 | | | | | TLXCYC- | 01A | 21C | 05 | 0119G05 | I | 22 | | | | | | | | | | | | |
| | 01A | 21D | 06 | 0127F08 | I | A6 | | | | TLF/IC+ | 01A | 21E | 03 | 0119G04 | O | 22 | | | | | TLXCYC- | 01A | 21C | 05 | 0119G05 | I | 22 | | | | | | | | | | | | |
| | 01A | 21D | 06 | 0127F08 | I | A6 | | | | TLF/IC+ | 01A | 21E | 03 | 0119G04 | O | 22 | | | | | TLXCYC- | 01A | 21C | 05 | 0119G05 | I | 22 | | | | | | | | | | | | |
| | 01A | 21D | 06 | 0127F08 | I | A6 | | | | TLF/IC+ | 01A | 21E | 03 | 0119G04 | O | 22 | | | | | TLXCYC- | 01A | 21C | 05 | 0119G05 | I | 22 | | | | | | | | | | | | |
| | 01A | 21D | 06 | 0127F08 | I | A6 | | | | TLF/IC+ | 01A | 21E | 03 | 0119G04 | O | 22 | | | | | TLXCYC- | 01A | 21C | 05 | 0119G05 | I | 22 | | | | | | | | | | | | |
| | 01A | 21D | 06 | 0127F08 | I | A6 | | | | TLF/IC+ | 01A | 21E | 03 | 0119G04 | O | 22 | | | | | TLXCYC- | 01A | 21C | 05 | 0119G05 | I | 22 | | | | | | | | | | | | |
| | 01A | 21D | 06 | 0127F08 | I | A6 | | | | TLF/IC+ | 01A | 21E | 03 | 0119G04 | O | 22 | | | | | TLXCYC- | 01A | 21C | 05 | 0119G05 | I | 22 | | | | | | | | | | | | |
| | 01A | 21D | 06 | 0127F08 | I | A6 | | | | TLF/IC+ | 01A | 21E | 03 | 0119G04 | O | 22 | | | | | TLXCYC- | 01A | 21C | 05 | 0119G05 | I | 22 | | | | | | | | | | | | |
| | 01A | 21D | 06 | 0127F08 | I | A6 | | | | TLF/IC+ | 01A | 21E | 03 | 0119G04 | O | 22 | | | | | TLXCYC- | 01A | 21C | 05 | 0119G05 | I | 22 | | | | | | | | | | | | |
| | 01A | 21D | 06 | 0127F08 | I | A6 | | | | TLF/IC+ | 01A | 21E | 03 | 0119G04 | O | 22 | | | | | TLXCYC- | 01A | 21C | 05 | 0119G05 | I | 22 | | | | | | | | | | | | |
| | 01A | 21D | 06 | 0127F08 | I | A6 | | | | TLF/IC+ | 01A | 21E | 03 | 0119G04 | O | 22 | | | | | TLXCYC- | 01A | 21C | 05 | 0119G05 | I | 22 | | | | | | | | | | | | |

| CONDENSED SIGNAL-LIST 716 CENTRAL PROCESSOR | | | | | | | | | | TDP DRAWING NUMBER 03075 K70032831-319 | | | | | | | | | | REV DATE FILE NAME S PAGE F 10-15-75 716CPUXX F 0073 | | | | | | | | | |
|--|-----|-----|-----|---------|-----------------|--------|-----|-------------|-----|---|-----|---------|-----------------|--------|-----|-------------|-----|-----|-----|---|-----------------|--------|-----|--|--|--|--|--|--|
| SIGNAL NAME | FR | SSC | DDM | PP | LBD DWG LOCATOR | P LAST | REV | SIGNAL NAME | FR | SSC | DDM | PP | LBD DWG LOCATOR | P LAST | REV | SIGNAL NAME | FR | SSC | DDM | PP | LBD DWG LOCATOR | P LAST | REV | | | | | | |
| TRRMFW+Q | 09A | 15E | 04 | 0107C07 | I | 22 | | TRRMFW+P | 08A | 03E | 11 | 0106D10 | I | A3 | | TRRYFWRD | 06A | 15C | 02 | 0129F10 | I | A2 | | | | | | | |
| | 09A | 16E | 03 | 0108C07 | I | 22 | | | 08A | 03E | 11 | 0107D10 | I | A3 | | | 06J | 15B | 03 | 0129E11 | O | A2 | | | | | | | |
| | 09A | 18C | 06 | 0128G10 | O | A1 | | | 08A | 06G | 02 | 0102E11 | I | A3 | | TRSCLR+ | 03A | 09B | 07 | 0125D02 | O | A2 | | | | | | | |
| | 09A | 19G | 04 | 0108C07 | I | 22 | | | 08A | 06G | 02 | 0104E11 | I | A3 | | | 03A | 09B | 07 | 0125D02 | O | A2 | | | | | | | |
| | 09A | 20G | 03 | 0109C07 | I | 22 | | | 08A | 06G | 02 | 0104E11 | I | A3 | | | 07A | 15E | 07 | 0125E07 | I | A2 | | | | | | | |
| | | | | | | | | | 08A | 06G | 02 | 0104E11 | I | A3 | | | 07A | 15E | 07 | 0125E07 | I | A2 | | | | | | | |
| | | | | | | | | | 08A | 06G | 02 | 0104E11 | I | A3 | | | 07A | 15E | 07 | 0125E07 | I | A2 | | | | | | | |
| | | | | | | | | | 08A | 06G | 02 | 0104E11 | I | A3 | | | 07A | 15E | 07 | 0125E07 | I | A2 | | | | | | | |
| | | | | | | | | | 08A | 06G | 02 | 0104E11 | I | A3 | | | 07A | 15E | 07 | 0125E07 | I | A2 | | | | | | | |
| | | | | | | | | | 08A | 06G | 02 | 0104E11 | I | A3 | | | 07A | 15E | 07 | 0125E07 | I | A2 | | | | | | | |
| | | | | | | | | | 08A | 06G | 02 | 0104E11 | I | A3 | | | 07A | 15E | 07 | 0125E07 | I | A2 | | | | | | | |
| | | | | | | | | | 08A | 06G | 02 | 0104E11 | I | A3 | | | 07A | 15E | 07 | 0125E07 | I | A2 | | | | | | | |
| | | | | | | | | | 08A | 06G | 02 | 0104E11 | I | A3 | | | 07A | 15E | 07 | 0125E07 | I | A2 | | | | | | | |
| | | | | | | | | | 08A | 06G | 02 | 0104E11 | I | A3 | | | 07A | 15E | 07 | 0125E07 | I | A2 | | | | | | | |
| | | | | | | | | | 08A | 06G | 02 | 0104E11 | I | A3 | | | 07A | 15E | 07 | 0125E07 | I | A2 | | | | | | | |
| | | | | | | | | | 08A | 06G | 02 | 0104E11 | I | A3 | | | 07A | 15E | 07 | 0125E07 | I | A2 | | | | | | | |
| | | | | | | | | | 08A | 06G | 02 | 0104E11 | I | A3 | | | 07A | 15E | 07 | 0125E07 | I | A2 | | | | | | | |
| | | | | | | | | | 08A | 06G | 02 | 0104E11 | I | A3 | | | 07A | 15E | 07 | 0125E07 | I | A2 | | | | | | | |
| | | | | | | | | | 08A | 06G | 02 | 0104E11 | I | A3 | | | 07A | 15E | 07 | 0125E07 | I | A2 | | | | | | | |
| | | | | | | | | | 08A | 06G | 02 | 0104E11 | I | A3 | | | 07A | 15E | 07 | 0125E07 | I | A2 | | | | | | | |
| | | | | | | | | | 08A | 06G | 02 | 0104E11 | I | A3 | | | 07A | 15E | 07 | 0125E07 | I | A2 | | | | | | | |
| | | | | | | | | | 08A | 06G | 02 | 0104E11 | I | A3 | | | 07A | 15E | 07 | 0125E07 | I | A2 | | | | | | | |
| | | | | | | | | | 08A | 06G | 02 | 0104E11 | I | A3 | | | 07A | 15E | 07 | 0125E07 | I | A2 | | | | | | | |
| | | | | | | | | | 08A | 06G | 02 | 0104E11 | I | A3 | | | 07A | 15E | 07 | 0125E07 | I | A2 | | | | | | | |
| | | | | | | | | | 08A | 06G | 02 | 0104E11 | I | A3 | | | 07A | 15E | 07 | 0125E07 | I | A2 | | | | | | | |
| | | | | | | | | | 08A | 06G | 02 | 0104E11 | I | A3 | | | 07A | 15E | 07 | 0125E07 | I | A2 | | | | | | | |
| | | | | | | | | | 08A | 06G | 02 | 0104E11 | I | A3 | | | 07A | 15E | 07 | 0125E07 | I | A2 | | | | | | | |
| | | | | | | | | | 08A | 06G | 02 | 0104E11 | I | A3 | | | 07A | 15E | 07 | 0125E07 | I | A2 | | | | | | | |
| | | | | | | | | | 08A | 06G | 02 | 0104E11 | I | A3 | | | 07A | 15E | 07 | 0125E07 | I | A2 | | | | | | | |
| | | | | | | | | | 08A | 06G | 02 | 0104E11 | I | A3 | | | 07A | 15E | 07 | 0125E07 | I | A2 | | | | | | | |
| | | | | | | | | | 08A | 06G | 02 | 0104E11 | I | A3 | | | 07A | 15E | 07 | 0125E07 | I | A2 | | | | | | | |
| | | | | | | | | | 08A | 06G | 02 | 0104E11 | I | A3 | | | 07A | 15E | 07 | 0125E07 | I | A2 | | | | | | | |
| | | | | | | | | | 08A | 06G | 02 | 0104E11 | I | A3 | | | 07A | 15E | 07 | 0125E07 | I | A2 | | | | | | | |
| | | | | | | | | | 08A | 06G | 02 | 0104E11 | I | A3 | | | 07A | 15E | 07 | 0125E07 | I | A2 | | | | | | | |
| | | | | | | | | | 08A | 06G | 02 | 0104E11 | I | A3 | | | 07A | 15E | 07 | 0125E07 | I | A2 | | | | | | | |
| | | | | | | | | | 08A | 06G | 02 | 0104E11 | I | A3 | | | 07A | 15E | 07 | 0125E07 | I | A2 | | | | | | | |
| | | | | | | | | | 08A | 06G | 02 | 0104E11 | I | A3 | | | 07A | 15E | 07 | 0125E07 | I | A2 | | | | | | | |
| | | | | | | | | | 08A | 06G | 02 | 0104E11 | I | A3 | | | 07A | 15E | 07 | 0125E07 | I | A2 | | | | | | | |
| | | | | | | | | | 08A | 06G | 02 | 0104E11 | I | A3 | | | 07A | 15E | 07 | 0125E07 | I | A2 | | | | | | | |
| | | | | | | | | | 08A | 06G | 02 | 0104E11 | I | A3 | | | 07A | 15E | 07 | 0125E07 | I | A2 | | | | | | | |
| | | | | | | | | | 08A | 06G | 02 | 0104E11 | I | A3 | | | 07A | 15E | 07 | 0125E07 | I | A2 | | | | | | | |
| | | | | | | | | | 08A | 06G | 02 | 0104E11 | I | A3 | | | 07A | 15E | 07 | 0125E07 | I | A2 | | | | | | | |
| | | | | | | | | | 08A | 06G | 02 | 0104E11 | I | A3 | | | 07A | 15E | 07 | 0125E07 | I | A2 | | | | | | | |
| | | | | | | | | | 08A | 06G | 02 | 0104E11 | I | A3 | | | 07A | 15E | 07 | 0125E07 | I | A2 | | | | | | | |
| | | | | | | | | | 08A | 06G | 02 | 0104E11 | I | A3 | | | 07A | 15E | 07 | 0125E07 | I | A2 | | | | | | | |
| | | | | | | | | | 08A | 06G | 02 | 0104E11 | I | A3 | | | 07A | 15E | 07 | 0125E07 | I | A2 | | | | | | | |
| | | | | | | | | | 08A | 06G | 02 | 0104E11 | I | A3 | | | 07A | 15E | 07 | 0125E07 | I | A2 | | | | | | | |
| | | | | | | | | | 08A | 06G | 02 | 0104E11 | I | A3 | | | 07A | 15E | 07 | 0125E07 | I | A2 | | | | | | | |
| | | | | | | | | | 08A | 06G | 02 | 0104E11 | I | A3 | | | 07A | 15E | 07 | 0125E07 | I | A2 | | | | | | | |
| | | | | | | | | | 08A | 06G | 02 | 0104E11 | I | A3 | | | 07A | 15E | 07 | 0125E07 | I | A2 | | | | | | | |
| | | | | | | | | | 08A | 06G | 02 | 0104E11 | I | A3 | | | 07A | 15E | 07 | 0125E07 | I | A2 | | | | | | | |
| | | | | | | | | | 08A | 06G | 02 | 0104E11 | I | A3 | | | 07A | 15E | 07 | 0125E07 | I | A2 | | | | | | | |
| | | | | | | | | | 08A | 06G | 02 | 0104E11 | I | A3 | | | 07A | 15E | 07 | 0125E07 | I | A2 | | | | | | | |
| | | | | | | | | | 08A | 06G | 02 | 0104E11 | I | A3 | | | 07A | 15E | 07 | 0125E07 | I | A2 | | | | | | | |
| | | | | | | | | | 08A | 06G | 02 | 0104E11 | I | A3 | | | 07A | 15E | 07 | 0125E07 | I | A2 | | | | | | | |
| | | | | | | | | | 08A | 06G | 02 | 0104E11 | I | A3 | | | 07A | 15E | 07 | 0125E07 | I | A2 | | | | | | | |
| | | | | | | | | | 08A | 06G | 02 | 0104E11 | I | A3 | | | 07A | 15E | 07 | 0125E07 | I | A2 | | | | | | | |
| | | | | | | | | | 08A | 06G | 02 | 0104E11 | I | A3 | | | 07A | 15E | 07 | 0125E07 | I | A2 | | | | | | | |
| | | | | | | | | | 08A | 06G | 02 | 0104E11 | I | A3 | | | 07A | 15E | 07 | 0125E07 | I | A2 | | | | | | | |
| | | | | | | | | | 08A | 06G | 02 | 0104E11 | I | A3 | | | 07A | 15E | 07 | 0125E07 | I | A2 | | | | | | | |
| | | | | | | | | | 08A | 06G | 02 | 0104E11 | I | A3 | | | 07A | 15E | 07 | 0125E07 | I | A2 | | | | | | | |
| | | | | | | | | | 08A | 06G | 02 | 0104E11 | I | A3 | | | 07A | 15E | 07 | 0125E07 | I | A2 | | | | | | | |
| | | | | | | | | | 08A | 06G | 02 | 0104E11 | I | A3 | | | 07A | 15E | 07 | 0125E07 | I | A2 | | | | | | | |
| | | | | | | | | | 08A | 06G | 02 | 0104E11 | I | A3 | | | 07A | 15E | 07 | 0125E07 | I | A2 | | | | | | | |
| | | | | | | | | | 08A | 06G | 02 | 0104E11 | I | A3 | | | 07A | 15E | 07 | 0125E07 | I | A2 | | | | | | | |
| | | | | | | | | | 08A | 06G | 02 | 0104E11 | I | A3 | | | 07A | 15E | 07 | 0125E07 | I | A2 | | | | | | | |
| | | | | | | | | | 08A | 06G | 02 | 0104E11 | I | A3 | | | 07A | 15E | 07 | 0125E07 | I | A2 | | | | | | | |
| | | | | | | | | | 08A | 06G | 02 | 0104E11 | I | A3 | | | 07A | 15E | 07 | 0125E07 | I | A2 | | | | | | | |
| | | | | | | | | | 08A | 06G | 02 | 0104E11 | I | A3 | | | 07A | 15E | 07 | 0125E07 | I | A2 | | | | | | | |
| | | | | | | | | | 08A | 06G | 02 | 0104E11 | I | A3 | | | | | | | | | | | | | | | |

CONDENSED SIGNAL-LIST
716 CENTRAL PROCESSOR

| TDP DRAWING NUMBER | | REV | DATE | FILE NAME | S | PAGE |
|--------------------|---------------|-----|----------|-----------|---|------|
| 03075 | K70032891-319 | F | 10-15-75 | 716CPUXX | F | 0080 |

| SIGNAL NAME | FR | SSC | DDM | PP | LBD | DWG | P | LAST | SIGNAL NAME | FR | SSC | DDM | PP | LBD | DWG | P | LAST | SIGNAL NAME | FR | SSC | DDM | PP | LBD | DWG | P | LAST | |
|-------------|----|-----|-----|----|---------|-----|-----|------|-------------|----|-----|-----|----|---------|-----|-----|------|-------------|----|-----|-----|----|---------|-----|-----|------|--|
| | | | | | LOCATOR | T | REV | | | | | | | LOCATOR | T | REV | | | | | | | LOCATOR | T | REV | | |

PAGE 0080

DOCUMENT END

INDEX:

CONDENSED SIGNAL-LIST
716 CENTRAL PROCESSOR

TDP DRAWING NUMBER
03128 K70033241-319

REV DATE
B 05-20-75

FILE NAME
CR716BAK 6

NEXT ASSY A7003200

FROM TO DATE ECD PAL FILE
REV REV MO DT YR NUMBER NAME REV

A A1 01-09-75
A1 B 05-20-75 BLC41212 EQPACFIL WZ

| PAGE NO | REVISION | INDEX | PAGE NO | REVISION | INDEX | PAGE NO | REVISION | INDEX |
|---------|----------|----------|---------|----------|----------|---------|----------|----------|
| 0003 | A | DIN76452 | 0004 | A | DIN76452 | 0005 | A | DIN76452 |
| 0008 | B | BLC41212 | 0009 | A | DIN76452 | 0010 | A | DIN76452 |
| 0013 | A | DIN76452 | 0014 | A | DIN76452 | 0015 | A | DIN76452 |
| 0018 | A | DIN76452 | 0019 | A | DIN76452 | 0020 | A | DIN76452 |
| 0023 | A | DIN76452 | 0024 | A | DIN76452 | 0025 | A | DIN76452 |

* INDICATES CHANGE ON THIS REVISION
PAGE 0001 REV B NEXT PAGE IS 0002

CONDENSED SIGNAL-LIST
716 CENTRAL PROCESSOR

TDP DRAWING NUMBER
03128 K70033241-319

REV DATE
B 05-20-75

FILE NAME
CR716BAK 6

PAGE
0003

| SIGNAL NAME | FR | SSC | DDM | PP | LBD DWG P LOCATOR T REV | SIGNAL NAME | FR | SSC | DDM | PP | LBD DWG P LOCATOR T REV | SIGNAL NAME | FR | SSC | DDM | PP | LBD DWG P LOCATOR T REV |
|-------------|-----|-----|-----|----|-------------------------|-------------|-----|-----|-----|----|-------------------------|-------------|-----|-----|-----|----|-------------------------|
| A++GO- | 01B | E | 07 | / | 00 | AG10G- | 02A | E | 16 | / | 02 | AU025M+ | 09T | | 39 | / | 24 |
| A++GX- | 02B | E | 09 | / | 02 | AGANFC- | 03B | E | 32 | / | 03 | AU035M+ | 08T | | 33 | / | 24 |
| ACASX1- | 01B | E | 15 | / | 02 | AGE10B+ | 05B | E | 44 | / | 03 | AU045M+ | 08T | | 37 | / | 24 |
| ACWCY1- | 03A | E | 09 | / | 03 | AIRSX1- | 03B | E | 56 | / | 02 | AU05CG+ | 09A | E | 42 | / | 02 |
| ACWCY2- | 03A | E | 07 | / | 02 | AJMPYC- | 04A | E | 19 | / | 03 | AU05CP+ | 09A | E | 01 | / | 03 |
| ADBLFI- | 02A | E | 01 | / | 02 | AJSTXC- | 05A | E | 48 | / | 02 | AU05CY- | 09A | E | 04 | / | 02 |
| ADBLXD- | 06A | E | 09 | / | 03 | AMPYY4- | 02A | E | 14 | / | 02 | AU05SM+ | 09U | | 50 | / | 24 |
| ADIV0/- | 02B | E | 15 | / | 02 | AMPYYM+ | 02B | E | 06 | / | 02 | AU06SM+ | 09U | | 51 | / | 24 |
| ADIV77- | 03A | E | 01 | / | 02 | AMRFI+ | 01A | E | 30 | / | 02 | AU07SM+ | 09A | E | 39 | / | 02 |
| ADIVXD- | 03A | E | 07 | / | 03 | ASHU19- | 02B | E | 06 | / | 02 | AU08SM+ | 09A | E | 49 | / | 03 |
| ADIVZ0- | 03A | E | 09 | / | 03 | AU00SM+ | 02B | E | 04 | / | 02 | AU09CY- | 09A | E | 23 | / | 02 |
| AEOINS+ | 01B | E | 03 | / | 02 | AU01CY- | 08A | E | 62 | / | 03 | AU09SM+ | 09A | E | 50 | / | 02 |
| AEOINS- | 08B | E | 06 | / | 03 | AU01SM+ | 08U | E | 04 | / | 02 | AU09SM+ | 09A | E | 08 | / | 02 |
| AEOJMP+ | 12U | E | 16 | / | 02 | AU01SM+A | 09T | E | 30 | / | 02 | AU09SM+ | 09A | E | 09 | / | 02 |
| | 05B | E | 09 | / | 03 | AU02SM+ | 01A | E | 10 | / | 02 | AU10SM+ | 10T | | 51 | / | 24 |
| | 07B | E | 03 | / | 03 | | 02B | E | 12 | / | 03 | AU10SM+ | 11T | | 51 | / | 24 |
| | | | | | | | 03A | E | 20 | / | 03 | AU11SM+ | 10T | | 44 | / | 24 |
| | | | | | | | | | | | 11T | | 44 | / | 24 | | |
| | | | | | | | | | | | | | | | | | |

PAGE 0003 DOCUMENT CONTINUED INDEX:

CONDENSED SIGNAL-LIST
716 CENTRAL PROCESSOR

TDP DRAWING NUMBER
03128 K70033241-319

REV DATE
B 05-20-75

FILE NAME
CR716BAK 6

PAGE
0002

| DRAWING NO. | REFERENCE | DOCUMENTS | TITLE |
|---------------|-----------|----------------------|---------------|
| K70033241-300 | A | OWN-PLAN | |
| K70033241-301 | A | FUNCTION NAME | |
| K70033241-302 | A | WIRE CHANGE REPORT | IF APPLICABLE |
| K70033241-303 | A | N/C TAPE / LISTINGS | |
| K70033241-304 | A | BOARD CHECKOUT | |
| K70033241-305 | A | SIGNAL BY BOARD | |
| K70033241-306 | A | LOGIC BLOCK DIAGRAMS | |

PAGE 0002 REV B NEXT PAGE IS 0003

CONDENSED SIGNAL-LIST
716 CENTRAL PROCESSOR

TDP DRAWING NUMBER
03128 K70033241-319

REV DATE
B 05-20-75

FILE NAME
CR716BAK 6

PAGE
0004

| SIGNAL NAME | FR | SSC | DDM | PP | LBD DWG P LOCATOR T REV | SIGNAL NAME | FR | SSC | DDM | PP | LBD DWG P LOCATOR T REV | SIGNAL NAME | FR | SSC | DDM | PP | LBD DWG P LOCATOR T REV |
|-------------|-----|-----|-----|---------|-------------------------|-------------|-----|-----|-----|---------|-------------------------|-------------|-----|-----|-----|---------|-------------------------|
| AU16SM+A | 01A | E | 45 | / | 02 | BADR10- | 20B | | 29 | 0051G06 | I C2 | BD070T+ | 12A | | 63 | 0054D04 | I C2 |
| AUFFFF+ | 03B | E | 60 | / | 02 | BADR11- | 05A | E | 40 | / | 03 | BD080T+ | 07A | E | 09 | 0054F04 | I C2 |
| BADR01- | 05A | E | 10 | / | 03 | BADR12- | 15B | E | 30 | 0051G06 | I B05 | BD090T+ | 07A | E | 62 | 0054F04 | I C2 |
| BADR02- | 05A | E | 14 | 0051G06 | I C2 | BADR13- | 20B | E | 50 | / | 03 | BD100T+ | 07A | E | 43 | 0054F04 | I C2 |
| BADR03- | 08B | E | 17 | 0051G06 | I C2 | BADR14- | 05A | E | 39 | 0051G06 | I B03 | BD110T+ | 07A | E | 29 | 0054F04 | I C2 |
| BADR04- | 08B | E | 21 | 0051G06 | I C2 | BADR15- | 12B | E | 40 | 0051G06 | I C2 | BD120T+ | 07A | E | 69 | 0054F04 | I C2 |
| BADR05- | 09B | E | 25 | 0051G06 | I C2 | BADR16- | 05A | E | 67 | / | 03 | BD130T+ | 07A | E | 53 | 0054F04 | I C2 |
| BADR06- | 09B | E | 25 | 0051G06 | I C2 | BBYTXR- | 04A | E | 03 | / | 03 | BD140T+ | 07A | E | 40 | 0054F04 | I C2 |
| BADR07- | 05A | E | 28 | 0051G06 | I C2 | BCLINT+ | 12B | E | 62 | 0051G06 | I C2 | BD150T+ | 07A | E | 45 | 0054F04 | I C2 |
| BADR08- | 05A | E | 27 | 0051G06 | I C2 | BCLPRN+ | 05A | E | 62 | 0051E06 | I C2 | BD160T+ | 07A | E | 60 | 0054F04 | I C2 |
| BADR09+ | 05A | E | 24 | / | 02 | BD010T+ | 07A | E | 20 | 0054D04 | I C2 | BDAT01- | 07A | E | 55 | 0051E06 | I C2 |
| BADR09- | 05A | E | 58 | 0051G06 | I C2 | BD020T+ | 12A | E | 25 | 0054D04 | I C2 | BDAT02- | 07A | E | 17 | 0051E06 | I C2 |
| BADR10- | 05A | E | 46 | / | I C3 | BD030T+ | 07A | E | 04 | 0054D04 | I C2 | BDAT03- | 07A | E | 25 | 0051E06 | I C2 |
| | 15B | E | 29 | / | I C3 | BD040T+ | 12A | E | 33 | 0054D04 | I C2 | BDAT04- | 07A | E | 44 | 0051E06 | I C2 |
| | | | | | | BD050T+ | 07A | E | 05 | 0054D04 | I C2 | BDAT05- | 07A | E | 24 | 0051E06 | I C2 |
| | | | | | | BD060T+ | 12A | E | 10 | 0054D04 | I C2 | | 07A | E | 27 | 0051E06 | I C2 |
| | | | | | | BD070T+ | 07A | E | 07 | 0054D04 | G C2 | | 12A | E | 19 | 0051E06 | I C2 |
| | | | | | | | 15B | E | 17 | / | 03 | | 20A | E | 20 | 0051E06 | I C2 |

PAGE 0004 DOCUMENT CONTINUED INDEX: AU16SM+A

SECTION VI
CONDENSED SIGNAL LIST K70033241-319

This section contains the condensed mnemonic signal list of the signals in the Type 716 central processor.* The signals are arranged in alphabetical order. When a digit appears in the second position (and possibly successive positions) of a mnemonic, the mnemonic is placed at the beginning of that alphabetical listing. For example, E40SCT - appears in the E-listing, prior to EAUMAN+. The column headings of the listing and their meanings are as follows:

| | |
|---------------------|---|
| FR: | Always blank |
| SS: | Slot number in frame |
| C: | = A for all DIP pins (column DDM not blank) = A for left tongue of bottom connector (column DDM is blank) = B for right tongue of bottom connector (column DDM is blank) = J for all discrete components (DDM never blank) = T, U, or V for 3 tongues of top connector (DDM is blank) |
| DD: | DIP site column (or equivalent for discrete component) |
| M: | DIP site row (or equivalent for discrete component) |
| PP: | Pin number for DIP as connector; position in site for discrete component |
| LBD DWG LOCATOR: | Sheet number and geographical coordinate of the pin number |
| P: T | Pin type: O for output I for input |
| LAST REV: | Last revision which affected this signal |

*For systems manufactured through February 1973.

| CONDENSED SIGNAL-LIST 716 CENTRAL PROCESSOR | | | | | | | | | | TDP DRAWING NUMBER 03128 K70033241-319 | | | | | | | | | | REV B DATE 05-20-75 FILE NAME CR716BAK S 6 PAGE 0003 | | | | | | | | | |
|--|-----|-----|-----|----|-----------------|--------|-------------|-----|-----|---|----|-----------------|--------|-------------|-----|-----|-----|----|-----------------|--|---------|----|----|--|--|--|--|--|--|
| SIGNAL NAME | FR | SSC | DDM | PP | LBD DWG LOCATOR | P LAST | SIGNAL NAME | FR | SSC | DDM | PP | LBD DWG LOCATOR | P LAST | SIGNAL NAME | FR | SSC | DDM | PP | LBD DWG LOCATOR | P LAST | | | | | | | | | |
| BDAT06- | 07A | E | 14 | | / | 03 | BDMAP1- | 20A | 06 | 0051E06 | I | B3 | | BPRGIO- | 05A | 48 | | | / | 22 | | | | | | | | | |
| - | 09A | E | 60 | | / | 02 | BDMAP2- | 20A | 07 | 0051E06 | I | B3 | | - | 12A | 60 | | | / | 0051E06 | I | A3 | | | | | | | |
| - | 12A | E | 28 | | / | 03 | BDMAP3- | 20A | 08 | 0051E06 | I | B3 | | - | 20A | 60 | | | / | 0051E06 | I | C2 | | | | | | | |
| BDAT07- | 07A | E | 18 | | / | 03 | BDMAP4- | 20A | 09 | 0051E06 | I | B3 | | BPWRF- | 05A | 09 | | | / | 22 | | | | | | | | | |
| - | 09A | E | 20 | | / | 02 | BDMAP5- | 20A | 10 | 0051E06 | I | B3 | | - | 10A | 29 | | | / | 0051E06 | I | B3 | | | | | | | |
| - | 12A | E | 29 | | / | 03 | BDMAP6- | 20A | 11 | 0051E06 | I | B3 | | BRITNX- | 04A | E | 58 | | | / | 04 | | | | | | | | |
| BDAT08- | 07A | E | 39 | | / | 03 | BDMAP7- | 20A | 12 | 0051E06 | I | B3 | | - | 12B | 04 | | | / | 0051G06 | I | B3 | | | | | | | |
| - | 09A | E | 30 | | / | 03 | BDMAP8- | 20A | 13 | 0051E06 | I | B3 | | BRQENB- | 04A | 30 | | | / | 22 | | | | | | | | | |
| - | 12A | E | 30 | | / | 02 | BDMAP9- | 20A | 14 | 0051E06 | I | B3 | | - | 12A | 41 | | | / | 1A5 | | | | | | | | | |
| BDAT09- | 07A | E | 64 | | / | 03 | BDMAP10- | 20A | 15 | 0051E06 | I | B3 | | - | 20A | 61 | | | / | 0051E06 | I | B3 | | | | | | | |
| - | 09A | E | 38 | | / | 03 | BDMAP11- | 20A | 16 | 0051E06 | I | B3 | | BSPROPT+ | 01B | 24 | | | / | 03 | | | | | | | | | |
| - | 12A | E | 38 | | / | 03 | BDMAP12- | 20A | 17 | 0051E06 | I | B3 | | - | 05A | E | 25 | | | / | 03 | | | | | | | | |
| BDAT10- | 07A | E | 50 | | / | 03 | BDMAP13- | 20A | 18 | 0051E06 | I | B3 | | BSTART- | 05B | 42 | | | / | 0051G06 | I | B3 | | | | | | | |
| - | 09A | E | 30 | | / | 03 | BDMAP14- | 20A | 19 | 0051E06 | I | B3 | | - | 12B | 42 | | | / | 0051G06 | I | B3 | | | | | | | |
| - | 12A | E | 30 | | / | 03 | BDMAP15- | 20A | 20 | 0051E06 | I | B3 | | BSTROB+ | 05A | 29 | | | / | 0054F04 | I | A3 | | | | | | | |
| BDAT11- | 07A | E | 28 | | / | 22 | BDMAP16- | 20A | 21 | 0051E06 | I | B3 | | - | 12B | 09 | | | / | 0051E06 | I | A3 | | | | | | | |
| - | 09A | E | 43 | | / | 03 | BDMAP17- | 20A | 22 | 0051E06 | I | B3 | | BSTROB- | 05A | 31 | | | / | 22 | | | | | | | | | |
| - | 12A | E | 43 | | / | 03 | BDMAP18- | 20A | 23 | 0051E06 | I | B3 | | - | 12A | E | 68 | | | / | 0051E06 | I | A3 | | | | | | |
| BDAT12- | 07A | E | 68 | | / | 03 | BDMAP19- | 20A | 24 | 0051E06 | I | B3 | | CMDFW+ | 01A | 31 | | | / | 23 | | | | | | | | | |
| - | 09A | E | 33 | | / | 03 | BDMAP20- | 20A | 25 | 0051E06 | I | B3 | | - | 08V | 41 | | | / | 23 | | | | | | | | | |
| - | 12A | E | 44 | | / | 03 | BDMAP21- | 20A | 26 | 0051E06 | I | B3 | | - | 09B | 21 | | | / | 23 | | | | | | | | | |
| BDAT13- | 07A | E | 57 | | / | 03 | BDMAP22- | 20A | 27 | 0051E06 | I | B3 | | - | 09V | 41 | | | / | 24 | | | | | | | | | |
| - | 09A | E | 43 | | / | 03 | BDMAP23- | 20A | 28 | 0051E06 | I | B3 | | - | 10A | 16 | | | / | 24 | | | | | | | | | |
| - | 12A | E | 45 | | / | 03 | BDMAP24- | 20A | 29 | 0051E06 | I | B3 | | - | 10V | 29 | | | / | 24 | | | | | | | | | |
| BDAT14- | 07A | E | 38 | | / | 03 | BDMAP25- | 20A | 30 | 0051E06 | I | B3 | | CMDFW+ | 01A | 03 | | | / | 02 | | | | | | | | | |
| - | 09A | E | 43 | | / | 03 | BDMAP26- | 20A | 31 | 0051E06 | I | B3 | | - | 08V | E | 45 | | | / | 03 | | | | | | | | |
| - | 12A | E | 46 | | / | 02 | BDMAP27- | 20A | 32 | 0051E06 | I | B3 | | - | 09V | E | 46 | | | / | 03 | | | | | | | | |
| BDAT15- | 07A | E | 43 | | / | 03 | BDMAP28- | 20A | 33 | 0051E06 | I | B3 | | - | 10B | E | 52 | | | / | 03 | | | | | | | | |
| - | 09A | E | 46 | | / | 03 | BDMAP29- | 20A | 34 | 0051E06 | I | B3 | | - | 10V | E | 28 | | | / | 24 | | | | | | | | |
| - | 12A | E | 46 | | / | 03 | BDMAP30- | 20A | 35 | 0051E06 | I | B3 | | - | 11V | E | 28 | | | / | 24 | | | | | | | | |
| BDAT16- | 05A | E | 18 | | / | 03 | BDMAP31- | 20A | 36 | 0051E06 | I | B3 | | CON01A19 | 01A | 19 | | | / | B4 | | | | | | | | | |
| - | 07A | E | 33 | | / | 03 | BDMAP32- | 20A | 37 | 0051E06 | I | B3 | | CON02A01 | 02A | 01 | | | / | 23 | | | | | | | | | |
| - | 09A | E | 37 | | / | 03 | BDMAP33- | 20A | 38 | 0051E06 | I | B3 | | CON02A05 | 02A | 05 | | | / | 23 | | | | | | | | | |
| - | 12A | E | 37 | | / | 03 | BDMAP34- | 20A | 39 | 0051E06 | I | B3 | | CON02A21 | 02A | 21 | | | / | 23 | | | | | | | | | |
| BDMAPO- | 05A | E | 49 | | / | 03 | BDMAP35- | 20A | 40 | 0051E06 | I | B3 | | CON02A51 | 02A | 51 | | | / | 23 | | | | | | | | | |
| - | 07A | E | 53 | | / | 03 | BDMAP36- | 20A | 41 | 0051E06 | I | B3 | | - | - | - | | | / | - | | | | | | | | | |
| - | 09A | E | 53 | | / | 03 | BDMAP37- | 20A | 42 | 0051E06 | I | B3 | | - | - | - | | | / | - | | | | | | | | | |
| - | 12A | E | 53 | | / | 03 | BDMAP38- | 20A | 43 | 0051E06 | I | B3 | | - | - | - | | | / | - | | | | | | | | | |

PAGE 0005

DOCUMENT CONTINUED

INDEX: BDAT06-

| CONDENSED SIGNAL-LIST 716 CENTRAL PROCESSOR | | | | | | | | | | TDP DRAWING NUMBER 03128 K70033241-319 | | | | | | | | | | REV B DATE 05-20-75 FILE NAME CR716BAK S 6 PAGE 0007 | | | | | | | | | |
|--|-----|-----|-----|----|-----------------|--------|-------------|-----|-----|---|----|-----------------|--------|-------------|-----|-----|-----|----|-----------------|--|--|--|--|--|--|--|--|--|--|
| SIGNAL NAME | FR | SSC | DDM | PP | LBD DWG LOCATOR | P LAST | SIGNAL NAME | FR | SSC | DDM | PP | LBD DWG LOCATOR | P LAST | SIGNAL NAME | FR | SSC | DDM | PP | LBD DWG LOCATOR | P LAST | | | | | | | | | |
| CON09V08 | 09V | 08 | | | / | 24 | CON10T29 | 10T | 29 | | | / | 24 | CON10V15 | 10V | 15 | | | / | 24 | | | | | | | | | |
| CON09V11 | 09V | 11 | | | / | 24 | CON10T39 | 10T | 39 | | | / | 24 | CON10V22 | 10V | 22 | | | / | 24 | | | | | | | | | |
| CON09V13 | 09V | 13 | | | / | 24 | CON10U02 | 10U | 02 | | | / | 24 | CON10V23 | 10V | 23 | | | / | 24 | | | | | | | | | |
| CON09V14 | 09V | 14 | | | / | 24 | CON10U06 | 10U | 06 | | | / | 24 | CON10V26 | 10V | 26 | | | / | 24 | | | | | | | | | |
| CON09V15 | 09V | 15 | | | / | 24 | CON10U09 | 10U | 09 | | | / | 24 | CON10V27 | 10V | 27 | | | / | 24 | | | | | | | | | |
| CON09V19 | 09V | 19 | | | / | 24 | CON10U10 | 10U | 10 | | | / | 24 | CON10V30 | 10V | 30 | | | / | 24 | | | | | | | | | |
| CON09V21 | 09V | 21 | | | / | 24 | CON10U12 | 10U | 12 | | | / | 24 | CON10V34 | 10V | 34 | | | / | 24 | | | | | | | | | |
| CON09V22 | 09V | 22 | | | / | 24 | CON10U13 | 10U | 13 | | | / | 24 | CON10V35 | 10V | 35 | | | / | 24 | | | | | | | | | |
| CON09V23 | 09V | 23 | | | / | 24 | CON10U16 | 10U | 16 | | | / | 24 | CON10V36 | 10V | 36 | | | / | 24 | | | | | | | | | |
| CON09V24 | 09V | 24 | | | / | 24 | CON10U17 | 10U | 17 | | | / | 24 | CON10V37 | 10V | 37 | | | / | 24 | | | | | | | | | |
| CON09V26 | 09V | 26 | | | / | 24 | CON10U19 | 10U | 19 | | | / | 24 | CON10V39 | 10V | 39 | | | / | 24 | | | | | | | | | |
| CON09V29 | 09V | 29 | | | / | 24 | CON10U21 | 10U | 21 | | | / | 24 | CON10V40 | 10V | 40 | | | / | 24 | | | | | | | | | |
| CON09V34 | 09V | 34 | | | / | 24 | CON10U26 | 10U | 26 | | | / | 24 | CON10V51 | 10V | 51 | | | / | 24 | | | | | | | | | |
| CON09V35 | 09V | 35 | | | / | 24 | CON10U29 | 10U | 29 | | | / | 24 | CON11A01 | 11A | 01 | | | / | 23 | | | | | | | | | |
| CON09V36 | 09V | 36 | | | / | 24 | CON10U34 | 10U | 34 | | | / | 24 | CON11A33 | 11A | 33 | | | / | 23 | | | | | | | | | |
| CON09V39 | 09V | 39 | | | / | 24 | CON10U36 | 10U | 36 | | | / | 24 | CON11A63 | 11A | 63 | | | / | 24 | | | | | | | | | |
| CON09V42 | 09V | 42 | | | / | 24 | CON10U37 | 10U | 37 | | | / | 24 | CON11B33 | 11B | 33 | | | / | 23 | | | | | | | | | |
| CON09V43 | 09V | 43 | | | / | 24 | CON10U40 | 10U | 40 | | | / | 24 | CON11B41 | 11B | 41 | | | / | 24 | | | | | | | | | |
| CON10A25 | 10A | 25 | | | / | 23 | CON10U46 | 10U | 46 | | | / | 24 | CON11T01 | 11T | 01 | | | / | 24 | | | | | | | | | |
| CON10B63 | 10B | 63 | | | / | 23 | CON10U49 | 10U | 49 | | | / | 24 | CON11T07 | 11T | 07 | | | / | 24 | | | | | | | | | |
| CON10T01 | 10T | 01 | | | / | 24 | CON10U50 | 10U | 50 | | | / | 24 | CON11T08 | 11T | 08 | | | / | 24 | | | | | | | | | |
| CON10T07 | 10T | 07 | | | / | 24 | CON10U52 | 10U | 52 | | | / | 24 | CON11T11 | 11T | 11 | | | / | 24 | | | | | | | | | |
| CON10T08 | 10T | 08 | | | / | 24 | CON10U53 | 10U | 53 | | | / | 24 | CON11T15 | 11T | 15 | | | / | 24 | | | | | | | | | |
| CON10T11 | 10T | 11 | | | / | 24 | CON10U54 | 10U | 54 | | | / | 24 | CON11T20 | 11T | 20 | | | / | 24 | | | | | | | | | |
| CON10T15 | 10T | 15 | | | / | 24 | CON10V04 | 10V | 04 | | | / | 24 | CON11T21 | 11T | 21 | | | / | 24 | | | | | | | | | |
| CON10T20 | 10T | 20 | | | / | 24 | CON10V06 | 10V | 06 | | | / | 24 | CON11T22 | 11T | 22 | | | / | 24 | | | | | | | | | |
| CON10T21 | 10T | 21 | | | / | 24 | CON10V09 | 10V | 09 | | | / | 24 | CON11T26 | 11T | 26 | | | / | 24 | | | | | | | | | |
| CON10T22 | 10T | 22 | | | / | 24 | CON10V11 | 10V | 11 | | | / | 24 | CON11T29 | 11T | 29 | | | / | 24 | | | | | | | | | |
| CON10T26 | 10T | 26 | | | / | 24 | CON10V13 | 10V | 13 | | | / | 24 | - | - | - | | | / | - | | | | | | | | | |

PAGE 0007

DOCUMENT CONTINUED

INDEX: CON09V08

| CONDENSED SIGNAL-LIST 716 CENTRAL PROCESSOR | | | | | | | | | | TDP DRAWING NUMBER 03128 K70033241-319 | | | | | | | | | | REV B DATE 05-20-75 FILE NAME CR716BAK S 6 PAGE 0006 | | | | | | | | | |
|--|----|-----|-----|----|-----------------|--------|-------------|----|-----|---|----|-----------------|--------|-------------|----|--|--|--|--|--|--|--|--|--|--|--|--|--|--|
| SIGNAL NAME | FR | SSC | DDM | PP | LBD DWG LOCATOR | P LAST | SIGNAL NAME | FR | SSC | DDM | PP | LBD DWG LOCATOR | P LAST | SIGNAL NAME | FR | | | | | | | | | | | | | | |

| CONDENSED SIGNAL-LIST 716 CENTRAL PROCESSOR | | | | | | | | | | TDP DRAWING NUMBER 03128 K70033241-319 | | | | | | | | | | REV B 05-20-75 | | | | | | | | | | FILE NAME CR716BAK | | | | | | | | | | PAGE 0009 | | | | | | | | | |
|--|-----|-----|-----|----|-----|-----|---|------|-----|---|-----|-----|-----|----|-----|-----|---|------|-----|-------------------|---------|-----|-----|----|-----|-----|---|------|-----|-----------------------|----|-----|-----|----|-----|-----|---|------|-----|--------------|--|--|--|--|--|--|--|--|--|
| SIGNAL NAME | FR | SSC | DDM | PP | LBD | DWG | P | LAST | REV | SIGNAL NAME | FR | SSC | DDM | PP | LBD | DWG | P | LAST | REV | SIGNAL NAME | FR | SSC | DDM | PP | LBD | DWG | P | LAST | REV | SIGNAL NAME | FR | SSC | DDM | PP | LBD | DWG | P | LAST | REV | | | | | | | | | | |
| E1RMO1+ | 01B | 66 | | | 02 | | | | | EDCMA+ | 04B | 53 | | | | | | | | | ERBAU+ | 08A | 60 | | | | | | | | | | | | | | | | | | | | | | | | | | |
| E1TLIC- | 01V | 52 | | | H3 | | | | | ERBAU+A | 01A | 34 | | | | | | | | | ERIMB+ | 04A | 62 | | | | | | | | | | | | | | | | | | | | | | | | | | |
| E1TLII+ | 01B | 53 | | | 02 | | | | | ERJAUH+ | 08B | 33 | | | | | | | | | ERJMAH+ | 01A | 63 | | | | | | | | | | | | | | | | | | | | | | | | | | |
| E1TLXC+ | 01B | 59 | | | 02 | | | | | ENRAFWD | 02B | 24 | | | | | | | | | ERMAU+ | 02A | 29 | | | | | | | | | | | | | | | | | | | | | | | | | | |
| E1TLYC- | 01B | 38 | | | 23 | | | | | ENRBFWD | 03B | 01 | | | | | | | | | ERMAU+A | 02A | 19 | | | | | | | | | | | | | | | | | | | | | | | | | | |
| E1TLZC- | 01V | 54 | | | H3 | | | | | ENRPF+ | 02A | 31 | | | | | | | | | ERMAU+A | 02A | 16 | | | | | | | | | | | | | | | | | | | | | | | | | | |
| E60SCT- | 01B | 31 | | | 23 | | | | | ERAUW+ | 02A | 07 | | | | | | | | | ERBAD+A | 05B | 05 | | | | | | | | | | | | | | | | | | | | | | | | | | |
| EAUMAW+ | 06B | 53 | | | 02 | | | | | ERAUW+A | 02A | 16 | | | | | | | | | ERMMAH+ | 02B | 68 | | | | | | | | | | | | | | | | | | | | | | | | | | |
| EAUMAW- | 02B | 59 | | | 23 | | | | | ERBAU+ | 01A | 44 | | | | | | | | | | | | | | | | | | | | | | | | | | | | | | | | | | | | | |
| EAURPW- | 01A | 28 | | | 02 | | | | | | | | | | | | | | | | | | | | | | | | | | | | | | | | | | | | | | | | | | | | |
| EBAMAW+ | 04B | 41 | | | 23 | | | | | | | | | | | | | | | | | | | | | | | | | | | | | | | | | | | | | | | | | | | | |
| EBAMAW+A | 04B | 58 | | | 02 | | | | | | | | | | | | | | | | | | | | | | | | | | | | | | | | | | | | | | | | | | | | |
| EBDAUW+ | 02B | 10 | | | 23 | | | | | | | | | | | | | | | | | | | | | | | | | | | | | | | | | | | | | | | | | | | | |

| CONDENSED SIGNAL-LIST 716 CENTRAL PROCESSOR | | | | | | | | | | TDP DRAWING NUMBER 03128 K70033241-319 | | | | | | | | | | REV B 05-20-75 | | | | | | | | | | FILE NAME CR716BAK | | | | | | | | | | PAGE 0011 | | | | | | | | | |
|--|-----|-----|-----|----|-----|-----|---|------|-----|---|-----|-----|-----|----|-----|-----|---|------|-----|-------------------|---------|-----|-----|----|-----|-----|---|------|-----|-----------------------|----|-----|-----|----|-----|-----|---|------|-----|--------------|--|--|--|--|--|--|--|--|--|
| SIGNAL NAME | FR | SSC | DDM | PP | LBD | DWG | P | LAST | REV | SIGNAL NAME | FR | SSC | DDM | PP | LBD | DWG | P | LAST | REV | SIGNAL NAME | FR | SSC | DDM | PP | LBD | DWG | P | LAST | REV | SIGNAL NAME | FR | SSC | DDM | PP | LBD | DWG | P | LAST | REV | | | | | | | | | | |
| HBIT15+ | 10A | 50 | | | E2 | | | | | HBIT16+ | 10A | 45 | | | | | | | | | HCLREG+ | 08V | 04 | | | | | | | | | | | | | | | | | | | | | | | | | | |
| HBIT16+ | 10A | 45 | | | E2 | | | | | HCLREG+ | 08V | 04 | | | | | | | | | HDSPE1+ | 08U | 23 | | | | | | | | | | | | | | | | | | | | | | | | | | |
| HBIT16+ | 10A | 45 | | | E2 | | | | | HDSPE1+ | 08U | 23 | | | | | | | | | HDSPE2+ | 08U | 40 | | | | | | | | | | | | | | | | | | | | | | | | | | |
| HBIT16+ | 10A | 45 | | | E2 | | | | | HDSPE2+ | 08U | 40 | | | | | | | | | HDSPE4+ | 08U | 36 | | | | | | | | | | | | | | | | | | | | | | | | | | |
| HBIT16+ | 10A | 45 | | | E2 | | | | | HDSPE4+ | 08U | 36 | | | | | | | | | HDSPLP- | 08B | 49 | | | | | | | | | | | | | | | | | | | | | | | | | | |
| HBIT16+ | 10A | 45 | | | E2 | | | | | HDSPLP- | 08B | 49 | | | | | | | | | HDSPPH- | 08A | 57 | | | | | | | | | | | | | | | | | | | | | | | | | | |
| HBIT16+ | 10A | 45 | | | E2 | | | | | HDSPPH- | 08A | 57 | | | | | | | | | HDSRUN- | 06B | 13A | 05 | | | | | | | | | | | | | | | | | | | | | | | | | |
| HBIT16+ | 10A | 45 | | | E2 | | | | | HDSRUN- | 06B | 13A | 05 | | | | | | | | HEHALT+ | 06A | 07 | | | | | | | | | | | | | | | | | | | | | | | | | | |
| HBIT16+ | 10A | 45 | | | E2 | | | | | HEHALT+ | 06A | 07 | | | | | | | | | HENTRP+ | 01B | 62 | | | | | | | | | | | | | | | | | | | | | | | | | | |
| HBIT16+ | 10A | 45 | | | E2 | | | | | HENTRP+ | 01B | 62 | | | | | | | | | | | | | | | | | | | | | | | | | | | | | | | | | | | | | |
| HBIT16+ | 10A | 45 | | | E2 | | | | | | | | | | | | | | | | | | | | | | | | | | | | | | | | | | | | | | | | | | | | |
| HBIT16+ | 10A | 45 | | | E2 | | | | | | | | | | | | | | | | | | | | | | | | | | | | | | | | | | | | | | | | | | | | |
| HBIT16+ | 10A | 45 | | | E2 | | | | | | | | | | | | | | | | | | | | | | | | | | | | | | | | | | | | | | | | | | | | |
| HBIT16+ | 10A | 45 | | | E2 | | | | | | | | | | | | | | | | | | | | | | | | | | | | | | | | | | | | | | | | | | | | |
| HBIT16+ | 10A | 45 | | | E2 | | | | | | | | | | | | | | | | | | | | | | | | | | | | | | | | | | | | | | | | | | | | |
| HBIT16+ | 10A | 45 | | | E2 | | | | | | | | | | | | | | | | | | | | | | | | | | | | | | | | | | | | | | | | | | | | |
| HBIT16+ | 10A | 45 | | | E2 | | | | | | | | | | | | | | | | | | | | | | | | | | | | | | | | | | | | | | | | | | | | |
| HBIT16+ | 10A | 45 | | | E2 | | | | | | | | | | | | | | | | | | | | | | | | | | | | | | | | | | | | | | | | | | | | |
| HBIT16+ | 10A | 45 | | | E2 | | | | | | | | | | | | | | | | | | | | | | | | | | | | | | | | | | | | | | | | | | | | |
| HBIT16+ | 10A | 45 | | | E2 | | | | | | | | | | | | | | | | | | | | | | | | | | | | | | | | | | | | | | | | | | | | |
| HBIT16+ | 10A | 45 | | | E2 | | | | | | | | | | | | | | | | | | | | | | | | | | | | | | | | | | | | | | | | | | | | |
| HBIT16+ | 10A | 45 | | | E2 | | | | | | | | | | | | | | | | | | | | | | | | | | | | | | | | | | | | | | | | | | | | |
| HBIT16+ | 10A | 45 | | | E2 | | | | | | | | | | | | | | | | | | | | | | | | | | | | | | | | | | | | | | | | | | | | |
| HBIT16+ | 10A | 45 | | | E2 | | | | | | | | | | | | | | | | | | | | | | | | | | | | | | | | | | | | | | | | | | | | |
| HBIT16+ | 10A | 45 | | | E2 | | | | | | | | | | | | | | | | | | | | | | | | | | | | | | | | | | | | | | | | | | | | |
| HBIT16+ | 10A | 45 | | | E2 | | | | | | | | | | | | | | | | | | | | | | | | | | | | | | | | | | | | | | | | | | | | |
| HBIT16+ | 10A | 45 | | | E2 | | | | | | | | | | | | | | | | | | | | | | | | | | | | | | | | | | | | | | | | | | | | |
| HBIT16+ | 10A | 45 | | | E2 | | | | | | | | | | | | | | | | | | | | | | | | | | | | | | | | | | | | | | | | | | | | |
| HBIT16+ | 10A | 45 | | | E2 | | | | | | | | | | | | | | | | | | | | | | | | | | | | | | | | | | | | | | | | | | | | |
| HBIT16+ | 10A | 45 | | | E2 | | | | | | | | | | | | | | | | | | | | | | | | | | | | | | | | | | | | | | | | | | | | |
| HBIT16+ | 10A | 45 | | | E2 | | | | | | | | | | | | | | | | | | | | | | | | | | | | | | | | | | | | | | | | | | | | |
| HBIT16+ | 10A | 45 | | | E2 | | | | | | | | | | | | | | | | | | | | | | | | | | | | | | | | | | | | | | | | | | | | |
| HBIT16+ | 10A | 45 | | | E2 | | | | | | | | | | | | | | | | | | | | | | | | | | | | | | | | | | | | | | | | | | | | |
| HBIT16+ | 10A | 45 | | | E2 | | | | | | | | | | | | | | | | | | | | | | | | | | | | | | | | | | | | | | | | | | | | |
| HBIT16+ | 10A | 45 | | | E2 | | | | | | | | | | | | | | | | | | | | | | | | | | | | | | | | | | | | | | | | | | | | |
| HBIT16+ | 10A | 45 | | | E2 | | | | | | | | | | | | | | | | | | | | | | | | | | | | | | | | | | | | | | | | | | | | |
| HBIT16+ | 10A | 45 | | | E2 | | | | | | | | | | | | | | | | | | | | | | | | | | | | | | | | | | | | | | | | | | | | |

| CONDENSED SIGNAL-LIST 716 CENTRAL PROCESSOR | | | | | TDP DRAWING NUMBER 03128 K70033241-319 | | | | | REV DATE FILE NAME S PAGE B 05-20-75 CR716BAK 5 0013 | | | | | | | | |
|--|-----|------|-----|----|---|-------------|-----|------|-----|---|------------------------------|-------------|-----|------|-----|----|------------------------------|----|
| SIGNAL NAME | FR | SSC | DDM | PP | LBD DWG P LAST LOCATOR T REV | SIGNAL NAME | FR | SSC | DDM | PP | LBD DWG P LAST LOCATOR T REV | SIGNAL NAME | FR | SSC | DDM | PP | LBD DWG P LAST LOCATOR T REV | |
| IAWRBL+ | 04B | 01 | | | 23 | IDCA16+ | 11A | 15 | | | 22 | IFRSTR-P | 05B | 54 | | | 23 | |
| - | 06A | 22 | | | 22 | - | 12B | 58 | | | 0054F04 | O | A5 | 06A | 60 | | | 22 |
| ICD123-A | 04B | E 27 | | | 03 | IDRLIN- | 05A | 12 | | | 23 | IFRTNX+ | 04V | 09 | | | 24 | |
| - | 12B | 63 | | | 02 | - | 12B | 65 | | | 0054F04 | O | A5 | 04B | 14 | | | 02 |
| ICDMC4- | 04A | 64 | | | 23 | IEIRMI- | 01B | 62 | | | 03 | IFSTRB+ | 09B | E 42 | | | 03 | |
| - | 12B | 67 | | | 02 | - | 05B | E 29 | | | 03 | - | 04B | 51 | | | 23 | |
| ICDMRQ-A | 04A | 66 | | | A3 | IFBREC+ | 04B | 30 | | | 23 | IFSTRB- | 09A | 13 | | | 22 | |
| - | 12A | 06 | | | B2 | - | 06A | 12 | | | 23 | IFTRAC+ | 05V | 52 | | | 24 | |
| - | 12B | 64 | | | H2 | IFBREC- | 04B | 37 | | | A1 | IFTRND+ | 05B | 04 | | | 23 | |
| IDCA01+ | 08A | 51 | | | 22 | - | 08B | 48 | | | A1 | - | 05V | 54 | | | 24 | |
| - | 12A | 26 | | | 02 | IFBYTR+ | 04V | 49 | | | 24 | IFWRIT+ | 04B | 05 | | | 02 | |
| IDCA02+ | 08A | E 32 | | | 03 | IFDARQ+ | 04V | 48 | | | 24 | - | 07B | E 38 | | | 03 | |
| - | 12A | 32 | | | 02 | IFDCCY- | 04B | E 12 | | | 03 | IFWIRTS- | 05B | E 19 | | | 02 | |
| IDCA03+ | 08A | 54 | | | 22 | - | 07B | 04 | | | 02 | IIOIRS- | 05B | E 12 | | | 03 | |
| - | 12A | 41 | | | A5 | IFDCCY-C | 04B | E 52 | | | 03 | IIREPI+H | 05A | 55 | | | 24 | |
| IDCA04+ | 08A | 68 | | | 22 | - | 12B | 66 | | | 0054F04 | I | O2 | 07B | 07 | | | 24 |
| - | 12A | 49 | | | A5 | IFDCRQ+ | 04B | E 42 | | | 03 | IIREPI-H | 05A | 42 | | | A4 | |
| IDCA05+ | 09A | 13 | | | 22 | - | 12B | 68 | | | 0054F04 | I | O2 | 08A | 14 | | | A4 |
| - | 12A | 56 | | | A5 | IFINTR- | 01A | 11 | | | 02 | IISTIB+ | 02B | E 45 | | | 02 | |
| IDCA06+ | 09A | 41 | | | 22 | - | 04B | 11 | | | 03 | - | 05B | E 13 | | | 03 | |
| - | 12A | 58 | | | A5 | IFIRTC- | 05V | 16 | | | 24 | IISTOV-H | 02B | 62 | | | 23 | |
| IDCA07+ | 09B | 29 | | | 23 | - | 12B | 54 | | | 03 | - | 09A | 66 | | | 22 | |
| - | 12A | 18 | | | A5 | IFITBK+ | 04B | 67 | | | 02 | IITCCY+ | 04B | 44 | | | 23 | |
| IDCA08+ | 09B | E 57 | | | 03 | - | 05B | E 07 | | | 03 | - | 05A | 64 | | | 22 | |
| - | 12B | 31 | | | O2 | IFITBK- | 02A | 69 | | | A3 | INARDY- | 02B | 41 | | | 02 | |
| IDCA09+ | 10A | 24 | | | 23 | - | 04B | 59 | | | A3 | - | 02A | 28 | | | 03 | |
| - | 12B | 41 | | | A5 | IFITCY+ | 04B | 18 | | | 24 | - | 05A | 04 | | | 03 | |
| IDCA10+ | 10A | 51 | | | 23 | - | 12B | 46 | | | 02 | - | 07B | 20 | | | 02 | |
| - | 12B | 41 | | | A5 | IFITCY+ | 05A | 56 | | | 24 | - | 08A | E 40 | | | 03 | |
| IDCA11+ | 10B | E 25 | | | 03 | IFITCY+J | 08A | 39 | | | H2 | INHFLT+ | 05A | 11 | | | 22 | |
| - | 12B | 50 | | | O2 | - | 10B | 05 | | | H2 | - | 09A | 21 | | | 22 | |
| IDCA12+ | 11A | 31 | | | 22 | IFITRO+ | 05V | 48 | | | 24 | IOLSUB+ | 05V | 46 | | | 24 | |
| - | 12B | 52 | | | A5 | IFJSTS+ | 05V | 32 | | | 24 | IOTDEN- | 04B | 48 | | | 02 | |
| IDCA13+ | 11A | 54 | | | 23 | IFMECI+ | 04B | 60 | | | 02 | - | 05B | E 60 | | | 03 | |
| - | 12B | 54 | | | A5 | - | 06B | E 57 | | | 03 | - | - | - | | | - | |
| IDCA14+ | 11B | E 07 | | | 03 | - | - | - | | | - | - | - | - | | | - | |
| - | 12B | 56 | | | O2 | - | - | - | | | - | - | - | - | | | - | |

PAGE 0013

DOCUMENT CONTINUED

INDEX: IAWRBL+

| CONDENSED SIGNAL-LIST 716 CENTRAL PROCESSOR | | | | | TDP DRAWING NUMBER 03128 K70033241-319 | | | | | REV DATE FILE NAME S PAGE B 05-20-75 CR716BAK 5 0014 | | | | | | | | |
|--|-----|------|-----|----|---|-------------|-----|------|-----|---|------------------------------|-------------|-----|----------|-----|----|------------------------------|----|
| SIGNAL NAME | FR | SSC | DDM | PP | LBD DWG P LAST LOCATOR T REV | SIGNAL NAME | FR | SSC | DDM | PP | LBD DWG P LAST LOCATOR T REV | SIGNAL NAME | FR | SSC | DDM | PP | LBD DWG P LAST LOCATOR T REV | |
| IOTIM1- | 01B | E 53 | | | 03 | KINB16- | 05U | 13 | | | 0148E03 | O | 24 | LRAIN1+ | 08T | 06 | | 24 |
| - | 05B | E 03 | | | 02 | KOCPLS- | 05U | 01 | | | 0148E03 | I | 24 | - | 09A | 17 | | 02 |
| IOTIM2- | 01A | 68 | | | H1 | KOTB16+ | 05U | 15 | | | 0148E03 | I | 24 | - | 09T | 16 | | 02 |
| - | 05B | 15 | | | H1 | KRRLIN- | 05U | 05 | | | 0148E03 | I | 24 | LRAIN1+A | 10V | 50 | | 24 |
| IOTIMC+ | 05V | 12 | | | 24 | KSELECT+ | 05U | 03 | | | 0148E03 | I | 24 | - | 11V | 50 | | 24 |
| IOTIMD- | 05V | 01 | | | B3 | LAUC00-A | 02A | 14 | | | 02 | LRAIN2+ | 03A | E 21 | | | 03 | |
| IOTIML+ | 05V | 04 | | | 24 | - | 08A | 18 | | | 02 | - | 08T | 04 | | | 02 | |
| IOTIMS+ | 05V | 08 | | | 24 | LAUC00-C | 02A | 17 | | | 02 | LRAIN2+A | 10V | 45 | | | 24 | |
| IPIL00-C | 05B | E 08 | | | 02 | - | 10A | 15 | | | 03 | - | 11V | 45 | | | 24 | |
| - | 12B | 62 | | | 03 | LAUC01+ | 02A | 06 | | | 22 | LRAIN4+ | 03A | 05 | | | 23 | |
| IPIL00-P | 05A | 05 | | | C5 | - | 08A | 44 | | | 22 | - | 08T | 04 | | | 24 | |
| - | 14A | 54 | | | C5 | LAUC02+ | 02A | 12 | | | 02 | - | 09A | 19 | | | 24 | |
| IWCDEL- | 04B | 07 | | | 02 | - | 08A | 44 | | | 22 | LRAIN4+A | 10V | 48 | | | 24 | |
| - | 06B | E 24 | | | 03 | LAUC03-A | 08T | 49 | | | 24 | - | 11V | 48 | | | 24 | |
| JMPDEL+ | 02B | E 28 | | | 02 | - | 09T | 41 | | | 03 | LRAINH- | 03A | 32 | | | 22 | |
| - | 05B | E 01 | | | 03 | LAUC03-C | 10U | 03 | | | 24 | - | 08T | 05 | | | 24 | |
| JMPDEL- | 02B | 46 | | | C2 | LAUCRY- | 02A | E 26 | | | 02 | - | 09A | 64 | | | 24 | |
| - | 14B | 07 | | | 02 | - | 10T | 04 | | | 03 | LRAINL- | 03B | 61 | | | 02 | |
| KADB08- | 05U | 09 | | | 24 | LAULGC+ | 08T | 45 | | | 22 | - | 10V | 52 | | | 03 | |
| KADB09- | 05U | 07 | | | 24 | - | 09T | 41 | | | 03 | - | 11B | E 68 | | | 24 | |
| KADB10- | 05U | 11 | | | 24 | - | 10A | 17 | | | 03 | - | 11V | 52 | | | 24 | |
| KDRLIN- | 05U | 17 | | | 24 | LAUC03-B | 08T | 49 | | | 24 | LRATE1+ | 03A | 46 | | | 22 | |
| KEY-1 | 13A | 05 | | | E2 | - | 09T | 49 | | | 24 | - | 08A | 10 | | | 22 | |
| KEY-2 | 13A | 32 | | | E2 | LAUC03-C | 10U | 03 | | | 24 | LRATEH+ | 03A | 17 | | | 22 | |
| KEY-3 | 13A | 42 | | | E2 | - | 11U | 03 | | | 24 | - | 09A | 40 | | | 22 | |
| KEY-4 | 13A | 63 | | | E2 | LAUCRY- | 02A | E 26 | | | 02 | LRATEL+ | 03B | 09 | | | 23 | |
| KEY-5 | 13B | 09 | | | E1 | - | 10T | 04 | | | 03 | - | 11A | 40 | | | 22 | |
| KEY-6 | 13B | 20 | | | F1 | - | 11A | E 10 | | | 03 | LRBSHL+ | 03B | 03 | | | 23 | |
| KEY-7 | 13B | 38 | | | E1 | - | 11T | 04 | | | 24 | - | 08A | 05 | | | 23 | |
| KEY-8 | 13B | 65 | | | E1 | - | 09T | 34 | | | 24 | - | 08T | 17 | | | 24 | |
| KINB16+ | 05B | E 63 | | | 02 | - | 10A | 13 | | | 24 | LRBSHR+ | 03B | 04 | | | 02 | |
| - | 07B | E 49 | | | 03 | LRAIN1+ | 03A | E 04 | | | 03 | - | 08T | 02 | | | 02 | |
| - | - | - | | | - | - | - | - | | | - | - | 11A | E 22 | | | 03 | |

PAGE 0014

DOCUMENT CONTINUED

INDEX: IOTIM1-

| CONDENSED SIGNAL-LIST 716 CENTRAL PROCESSOR | | | | | TDP DRAWING NUMBER 03128 K70033241-319 | | | | | REV DATE FILE NAME S PAGE B 05-20-75 CR716BAK 5 0013A | | | | | | | |
|--|-----|-----|-----|----|---|-------------|-----|-----|-----|--|------------------------------|-------------|-----|-----|-----|----|------------------------------|
| SIGNAL NAME | FR | SSC | DDM | PP | LBD DWG P LAST LOCATOR T REV | SIGNAL NAME | FR | SSC | DDM | PP | LBD DWG P LAST LOCATOR T REV | SIGNAL NAME | FR | SSC | DDM | PP | LBD DWG P LAST LOCATOR T REV |
| IOTIM1+ | 03B | 15 | | | 23 | LRMIN1+ | 01B | 25 | | | 23 | M64KCI- | 06B | 59 | | | C2 |
| - | 05A | 45 | | | 23 | - | 08U | 53 | | | 24 | - | 14A | 34 | | | C2 |
| - | 06A | 11 | | | 22 | - | 09B | 68 | | | 23 | - | 14A | 40 | | | 0053D04 |
| - | - | - | | | - | - | 10B | 10 | | | 23 | M64KMF+ | 04B | 56 | | | H2 |
| - | - | - | | | - | - | - | - | | | - | - | 14A | 61 | | | 0053D04 |
| LRMIN1+A | 10T | 41 | | | 24 | LRMIN2+ | 01B | 54 | | | 23 | M64OPT+ | 14B | 47 | | | G H5 |
| - | 11T | 41 | | | 24 | - | 08U | 38 | | | 22 | - | 14B | 66 | | | 0053F04 |
| LRMIN2+ | 01B | 54 | | | 23 | - | 09A | 52 | | | 24 | MADD01- | 08A | 43 | | | H2 |
| - | 08U | 38 | | | 24 | - | 09U | 38 | | | 24 | - | 14A | 37 | | | 0053D04 |
| - | 09U | 38 | | | 24 | - | 10B | 16 | | | 23 | MADD02- | 08A | 06 | | | C2 |
| - | 10B | 16 | | | 23 | - | 10T | 46 | | | 24 | - | 14A | 55 | | | 0053D04 |
| - | 10T | 46 | | | 24 | LRMIN4+ | 01B | 69 | | | 02 | MADD03- | 06A | 38 | | | H2 |
| - | 11T | 46 | | | 24 | - | | | | | | | | | | | |

| CONDENSED SIGNAL-LIST | | | | | | | | | | CONDENSED SIGNAL-LIST | | | | | | | | | | | | | | | | | | | |
|-----------------------|-----|-----|-----|----|-----------------|---|------|-----|--|-----------------------|-----|-----|-----|----|-----------------|---|------|-----|--|-------------|-----|-----|-----|----|-----------------|---|------|-----|--|
| 716 CENTRAL PROCESSOR | | | | | | | | | | 716 CENTRAL PROCESSOR | | | | | | | | | | | | | | | | | | | |
| TOP DRAWING NUMBER | | | | | REV | | | | | DATE | | | | | FILE NAME | | | | | PAGE | | | | | | | | | |
| 03128 K70033241-319 | | | | | B | | | | | 05-20-75 | | | | | CRT16BAK | | | | | 6 | | | | | | | | | |
| SIGNAL NAME | FR | SSC | DDM | PP | LBD DWG LOCATOR | P | LAST | REV | | SIGNAL NAME | FR | SSC | DDM | PP | LBD DWG LOCATOR | P | LAST | REV | | SIGNAL NAME | FR | SSC | DDM | PP | LBD DWG LOCATOR | P | LAST | REV | |
| MCRDHC+ | 06V | | | 50 | | | 24 | | | MD06BS+ | 09B | E | 31 | | | | 03 | | | MD14BS- | 11B | 27 | | | | | H1 | | |
| MCTRLFA | 06B | 41 | | | | | H1 | | | MD06BS- | 09B | 11 | | | | | H1 | | | MD15BS+ | 07B | 50 | | | | | | O2 | |
| MCTRRT+A | 06B | 42 | | | | | H1 | | | MD07BS+ | 09B | E | 21 | | | | 03 | | | MD15BS- | 11B | 37 | | | | | H1 | | |
| MCWCYC+ | 01A | 09 | | | | | 23 | | | MD07BS- | 09B | 19 | | | | | H1 | | | MD16BS+ | 07B | 57 | | | | | | O2 | |
| MCWCYC- | 02A | 41 | | | | | O2 | | | MD08BS+ | 07B | E | 20 | | | | 03 | | | MD16BS- | 11B | 26 | | | | | H1 | | |
| MCWREQ- | 06V | 42 | | | | | 24 | | | MD08BS- | 09B | 05 | | | | | H1 | | | MDTRDY- | 06B | 38 | | | | | A4 | | |
| MD01BS+ | 08B | 44 | | | | | O2 | | | MD09BS+ | 07B | 43 | | | | | 23 | | | MEMCIN+ | 06V | 53 | | | | | A1 | | |
| MD01BS- | 08B | 33 | | | | | H1 | | | MD09BS- | 10B | 48 | | | | | H1 | | | MENBLO- | 06A | 41 | | | | | | | |
| MD02BS+ | 07B | 46 | | | | | H1 | | | MD10BS+ | 10B | 55 | | | | | 23 | | | MENBL1- | 06A | 43 | | | | | | | |
| MD02BS- | 08B | 39 | | | | | H1 | | | MD10BS- | 10B | 39 | | | | | H1 | | | MENBL2- | 06A | 39 | | | | | | | |
| MD03BS+ | 07B | 34 | | | | | O2 | | | MD11BS+ | 07B | E | 20 | | | | 03 | | | MENBL3- | 06A | 37 | | | | | | | |
| MD03BS- | 08B | 56 | | | | | H1 | | | MD11BS- | 10B | 43 | | | | | H1 | | | MENBL4- | 06A | 32 | | | | | | | |
| MD04BS+ | 07B | 53 | | | | | O2 | | | MD12BS+ | 07B | E | 41 | | | | 03 | | | MENBL5- | 06A | 55 | | | | | | | |
| MD04BS- | 08B | 41 | | | | | H1 | | | MD12BS- | 10B | 60 | | | | | H1 | | | MENBL6- | 06A | 53 | | | | | | | |
| MD05BS+ | 07B | 46 | | | | | O2 | | | MD13BS+ | 07B | E | 34 | | | | 03 | | | MENBL7- | 06A | 51 | | | | | | | |
| MD05BS- | 09B | 15 | | | | | H1 | | | MD13BS- | 11B | 25 | | | | | H1 | | | MENBL8- | 06A | 49 | | | | | | | |
| MD06BS+ | 07B | 42 | | | | | O2 | | | MD14BS+ | 07B | E | 43 | | | | 03 | | | MENBL9- | 06A | 54 | | | | | | | |

PAGE 0016

DOCUMENT CONTINUED

INDEX: MCRDHC+

| CONDENSED SIGNAL-LIST | | | | | | | | | | CONDENSED SIGNAL-LIST | | | | | | | | | | | | | | | | | | | |
|-----------------------|-----|-----|-----|----|-----------------|---|------|-----|--|-----------------------|-----|-----|-----|----|-----------------|---|------|-----|--|-------------|-----|-----|-----|----|-----------------|---|------|-----|--|
| 716 CENTRAL PROCESSOR | | | | | | | | | | 716 CENTRAL PROCESSOR | | | | | | | | | | | | | | | | | | | |
| TOP DRAWING NUMBER | | | | | REV | | | | | DATE | | | | | FILE NAME | | | | | PAGE | | | | | | | | | |
| 03128 K70033241-319 | | | | | B | | | | | 05-20-75 | | | | | CRT16BAK | | | | | 6 | | | | | | | | | |
| SIGNAL NAME | FR | SSC | DDM | PP | LBD DWG LOCATOR | P | LAST | REV | | SIGNAL NAME | FR | SSC | DDM | PP | LBD DWG LOCATOR | P | LAST | REV | | SIGNAL NAME | FR | SSC | DDM | PP | LBD DWG LOCATOR | P | LAST | REV | |
| OPNCAS- | 01B | 39 | | | | | A1 | | | OPNOTK+ | 02A | 65 | | | | | 23 | | | QMALH1+ | 03B | 53 | | | | | | | |
| OPNDIV+ | 01B | 41 | | | | | O2 | | | OPNOTK- | 02A | 66 | | | | | 22 | | | QMALH2+ | 03B | 41 | | | | | | | |
| OPNDIV- | 03B | 14 | | | | | O2 | | | OPNRMP- | 07B | 08 | | | | | 22 | | | USMU/1- | 04B | 26 | | | | | | | |
| OPNDPA- | 04B | 33 | | | | | H1 | | | OPNSTA+ | 01A | 49 | | | | | 22 | | | RA00FF+ | 02V | 24 | | | | | | | |
| OPNIMA+ | 01A | 59 | | | | | 23 | | | OPNSUB- | 02B | 38 | | | | | 23 | | | RA01FF- | 01A | 42 | | | | | | | |
| OPNIRS+ | 01B | 44 | | | | | 23 | | | QHO116+ | 06A | 01 | | | | | 23 | | | RA01FF+ | 08U | 26 | | | | | | | |
| OPNIRS- | 02B | 58 | | | | | A6 | | | QHO508+ | 08U | 09 | | | | | 24 | | | RA02FF+ | 08U | 13 | | | | | | | |
| OPNJMP+ | 01B | E | 21 | | | | O3 | | | QHO912+ | 08B | 10A | | | | | 22 | | | RA02FF- | 03B | 27 | | | | | | | |
| OPNJMP- | 01B | 26 | | | | | O2 | | | QHI316+ | 08B | 11A | | | | | 23 | | | RA03FF+ | 07A | 49 | | | | | | | |
| OPNJST+ | 01A | 39 | | | | | O2 | | | QHSYNC- | 06A | 01 | | | | | 22 | | | RA03FF- | 08U | 39 | | | | | | | |
| OPNJST- | 02B | E | 14 | | | | O3 | | | QHTEST+ | 08B | 08 | | | | | O | 23 | | RA04FF+ | 07A | 56 | | | | | | | |
| OPNLX+ | 01A | 32 | | | | | O2 | | | QJMA15- | 08V | 27 | | | | | C6 | | | RA04FF- | 08U | 38 | | | | | | | |
| OPNLX- | 04A | E | 53 | | | | O3 | | | QJMA1E+ | 03B | 52 | | | | | 23 | | | RA05FF+ | 02A | 25 | | | | | | | |
| OPNLSX+ | 01A | 32 | | | | | O2 | | | QJMA5E+ | 03B | 49 | | | | | 23 | | | RA06FF+ | 07A | 43 | | | | | | | |
| OPNLSX- | 04A | E | 26 | | | | O2 | | | QMA090+ | 03B | 50 | | | | | 23 | | | RA06FF- | 08U | 16 | | | | | | | |
| OPNMPY+ | 01B | E | 16 | | | | O3 | | | QMA18+ | 06B | 66 | | | | | 23 | | | RA07FF+ | 07A | 43 | | | | | | | |
| OPNMPY- | 03A | 51 | | | | | 23 | | | QMALHO- | 06B | 67 | | | | | 23 | | | RA07FF- | 08U | 39 | | | | | | | |

PAGE 0018

DOCUMENT CONTINUED

INDEX: OPNCAS-

| CONDENSED SIGNAL-LIST | | | | | | | | | | CONDENSED SIGNAL-LIST | | | | | | | | | | | | | | | | | | | |
|-----------------------|-----|-----|-----|----|-----------------|---|------|-----|--|-----------------------|-----|-----|-----|----|-----------------|---|------|-----|--|-------------|-----|-----|-----|----|-----------------|---|------|-----|--|
| 716 CENTRAL PROCESSOR | | | | | | | | | | 716 CENTRAL PROCESSOR | | | | | | | | | | | | | | | | | | | |
| TOP DRAWING NUMBER | | | | | REV | | | | | DATE | | | | | FILE NAME | | | | | PAGE | | | | | | | | | |
| 03128 K70033241-319 | | | | | B | | | | | 05-20-75 | | | | | CRT16BAK | | | | | 6 | | | | | | | | | |
| SIGNAL NAME | FR | SSC | DDM | PP | LBD DWG LOCATOR | P | LAST | REV | | SIGNAL NAME | FR | SSC | DDM | PP | LBD DWG LOCATOR | P | LAST | REV | | SIGNAL NAME | FR | SSC | DDM | PP | LBD DWG LOCATOR | P | LAST | REV | |
| MENBLX- | 20B | 53 | | | | | I | B3 | | MROMVL- | 06A | 17 | | | | | A1 | | | OPGMAU+ | 03A | 52 | | | | | | | |
| MHDSHK+ | 04B | E | 21 | | | | O3 | | | MRRRCYC+ | 01A | 24 | | | | | 23 | | | OPGM/D+ | 01B | E | 37 | | | | | | |
| MHDSHK-I | 04B | E | 20 | | | | O3 | | | OPGA/S+ | 01B | 18 | | | | | 23 | | | OPGM/D- | 03A | 61 | | | | | | | |
| MHDSHK-X | 04B | 32 | | | | | C3 | | | OPGA/S- | 01B | 12 | | | | | 23 | | | OPGNEG+ | 02A | 08 | | | | | | | |
| MHDSHK-I | 04B | E | 17 | | | | O2 | | | OPGCRY+ | 02B | E | 25 | | | | 03 | | | OPGSHF+ | 03A | 54 | | | | | | | |
| MLATCH+ | 06B | 31 | | | | | H1 | | | OPGDBL+ | 01A | 23 | | | | | 23 | | | OPGSHF+A | 03B | 43 | | | | | | | |
| MLOOPT+ | 09B | 23 | | | | | O2 | | | OPGGEN- | 02A | E | 11 | | | | 03 | | | OPGSKP+ | 03A | E | 26 | | | | | | |
| MLOOPT+A | 14B | 23 | | | | | I | H5 | | OPGNA+ | 03A | E | 41 | | | | 03 | | | OPGSKP- | 04A | E | 30 | | | | | | |
| MPARER+ | 03B | 05 | | | | | C2 | | | OPGNA+A | 02A | 43 | | | | | 02 | | | OPGTAZ+ | 02B | 32 | | | | | | | |
| MPARLF- | 14A | 10 | | | | | O | B3 | | OPGNB+ | 04A | 03 | | | | | 02 | | | OPGWRT+ | 01A | 69 | | | | | | | |
| MPARRT- | 20B | 09 | | | | | O | B3 | | OPGNB+A | 03B | 08 | | | | | 23 | | | OPGXCY+ | 01B | 29 | | | | | | | |
| MPROPT+ | 14A | 02 | | | | | H5 | | | OPGI/O+ | 03A | 64 | | | | | 23 | | | OPGXMK+ | 03B | 30 | | | | | | | |
| MPULS1+ | 06B | 54 | | | | | H1 | | | OPGI/O- | 02A | E | 63 | | | | O2 | | | OPGYMA+ | 04A | 09 | | | | | | | |
| MPULS2+ | 06B | 54 | | | | | D1 | | | OPGJ/J+ | 04B | E | 26 | | | | O2 | | | OPNCAL- | 03B | 11 | | | | | | | |
| MPWDEL- | 06B | 69 | | | | | O | B3 | | OPGLCI-M | 04A | E | 45 | | | | O2 | | | OPNCAS+ | 01B | 40 | | | | | | | |
| MRDSTB- | 06A | 63 | | | | | H2 | | | OPGLGA+ | 02A | E | 60 | | | | O2 | | | OPNCAS- | 01B | 40 | | | | | | | |
| MRFRSH- | 06B | 08 | | | | | H2 | | | OPGMAU+ | 02A | E | 09 | | | | O3 | | | | | | | | | | | | |

PAGE 0017

DOCUMENT CONTINUED

INDEX: MENBLX-

| CONDENSED SIGNAL-LIST | | | | | | | | | | CONDENSED SIGNAL-LIST | | | | | | | | | | | | | | |
|-----------------------|----|-----|-----|----|-----------------|---|------|-----|--|-----------------------|----|-----|-----|----|-----------------|---|------|-----|--|-------------|----|-----|--|--|
| 716 CENTRAL PROCESSOR | | | | | | | | | | 716 CENTRAL PROCESSOR | | | | | | | | | | | | | | |
| TOP DRAWING NUMBER | | | | | REV | | | | | DATE | | | | | FILE NAME | | | | | PAGE | | | | |
| 03128 K70033241-319 | | | | | B | | | | | 05-20-75 | | | | | CRT16BAK | | | | | 6 | | | | |
| SIGNAL NAME | FR | SSC | DDM | PP | LBD DWG LOCATOR | P | LAST | REV | | SIGNAL NAME | FR | SSC | DDM | PP | LBD DWG LOCATOR | P | LAST | REV | | SIGNAL NAME | FR | SSC | | |

| CONDENSED SIGNAL-LIST 716 CENTRAL PROCESSOR | | | | | | | | | | TDP DRAWING NUMBER 03128 K70033241-319 | | | | | | | | | | REV DATE FILE NAME S PAGE 05-20-75 CR716BAK 6 0020 | | | | | | | | | |
|--|-----|-----|-----|----|---------------------|----------|-------------|-----|-----|---|----|---------------------|----------|-------------|-----|-----|-----|----|---------------------|---|--|--|--|--|--|--|--|--|--|
| SIGNAL NAME | FR | SSC | DDM | PP | LBD DWG P LOCATOR T | LAST REV | SIGNAL NAME | FR | SSC | DDM | PP | LBD DWG P LOCATOR T | LAST REV | SIGNAL NAME | FR | SSC | DDM | PP | LBD DWG P LOCATOR T | LAST REV | | | | | | | | | |
| RF09FF- | 03B | | | | 26 | 23 | RF16FF- | 01A | E | 20 | | | 03 | RI09FF+ | 10U | 32 | | | 24 | | | | | | | | | | |
| | 10B | | | | 44 | 23 | | 03A | | 24 | | | 02 | | 11U | 32 | | | 24 | | | | | | | | | | |
| | | | | | | | | 08B | | 44 | | | 02 | RI10FF+ | 10V | 05 | | | 24 | | | | | | | | | | |
| RF10FF+ | 03B | | | | 29 | 23 | | 08V | | 20 | | | 03 | | 11V | 05 | | | 24 | | | | | | | | | | |
| | 07B | | | | 18 | 23 | | 09V | | 20 | | | 03 | RI11FF+ | 10U | 42 | | | 24 | | | | | | | | | | |
| | 10A | | | | 62 | 23 | | 10V | | 24 | | | 03 | | 11U | 42 | | | 24 | | | | | | | | | | |
| RF10FF+A | 03A | | | | 10 | 23 | | 11B | | 17 | | | 03 | RI12FF+ | 10U | 39 | | | 24 | | | | | | | | | | |
| | 07B | | | | 19 | 23 | | 11V | | 24 | | | 03 | | 11U | 39 | | | 24 | | | | | | | | | | |
| RF10FF- | 03B | | | | 28 | 23 | RH05FF+ | 08U | | 15 | | | 24 | | | | | | | | | | | | | | | | |
| | 10B | | | | 28 | 23 | | 09U | | 15 | | | 24 | RJ05FF+ | 08T | 15 | | | 24 | | | | | | | | | | |
| RF11FF+ | 03B | E | | | 33 | 03 | | 09T | | 30 | | | 24 | | 09T | 15 | | | 24 | | | | | | | | | | |
| | 04B | | | | 29 | 02 | RH05FF- | 08T | | 30 | | | 24 | RJ05FF- | 08T | 11 | | | 24 | | | | | | | | | | |
| | 07A | | | | 46 | 02 | | 09T | | 30 | | | 24 | | 09T | 11 | | | 24 | | | | | | | | | | |
| | 10B | | | | 13 | 02 | RH06FF+ | 08V | | 49 | | | 24 | RJ06FF+ | 08T | 19 | | | 24 | | | | | | | | | | |
| RF11FF- | 03A | | | | 53 | 23 | | 09V | | 49 | | | 24 | | 09T | 19 | | | 24 | | | | | | | | | | |
| | 10B | | | | 30 | 23 | RH06FF- | 08V | | 40 | | | 24 | RJ06FF- | 08T | 07 | | | 24 | | | | | | | | | | |
| RF12FF+ | 03A | | | | 68 | 22 | | 09V | | 40 | | | 24 | | 09T | 07 | | | 24 | | | | | | | | | | |
| | 07A | | | | 65 | 22 | RH07FF+ | 08T | | 25 | | | 24 | RJ07FF+ | 08T | 13 | | | 24 | | | | | | | | | | |
| | 10B | | | | 56 | 23 | | 09T | | 25 | | | 24 | | 09T | 13 | | | 24 | | | | | | | | | | |
| RF12FF- | 03A | | | | 62 | 23 | RH07FF- | 08T | | 26 | | | 24 | RJ07FF- | 08T | 23 | | | 24 | | | | | | | | | | |
| | 10B | | | | 55 | 23 | | 09T | | 26 | | | 24 | | 09T | 23 | | | 24 | | | | | | | | | | |
| RF13FF+ | 02A | | | | 67 | 23 | RH08FF+ | 08T | | 24 | | | 24 | RK11IN+ | 07V | 52 | | | 24 | | | | | | | | | | |
| | 03B | | | | 37 | 23 | | 09T | | 24 | | | 24 | RK12IN+ | 07V | 48 | | | 24 | | | | | | | | | | |
| | 07A | | | | 36 | 23 | RH08FF- | 08T | | 27 | | | 24 | RK125C+ | 07B | 37 | | | 23 | | | | | | | | | | |
| | 10B | | | | 56 | 23 | | 09T | | 27 | | | 24 | | 10B | 53 | | | 23 | | | | | | | | | | |
| RF13FF- | 03A | | | | 66 | 23 | RH13FF+ | 10T | | 36 | | | 24 | | | | | | | | | | | | | | | | |
| | 07A | | | | 37 | 23 | | 11T | | 36 | | | 24 | RK13IN+ | 07V | 40 | | | 24 | | | | | | | | | | |
| | 10B | | | | 60 | 23 | | | | 37 | | | 24 | RK135C+ | 07B | 39 | | | 23 | | | | | | | | | | |
| RF14FF+ | 03B | | | | 13 | 23 | | | | 37 | | | 24 | | 11B | 69 | | | 23 | | | | | | | | | | |
| | 07A | | | | 22 | 23 | RH14FF+ | 10T | | 37 | | | 24 | RK14IN+ | 07V | 36 | | | 24 | | | | | | | | | | |
| | 10B | | | | 56 | 23 | | 11T | | 37 | | | 24 | | | | | | | | | | | | | | | | |
| RF14FF- | 03A | | | | 34 | 23 | RH15FF+ | 10U | | 14 | | | 24 | RK145C+ | 07B | 28 | | | 23 | | | | | | | | | | |
| | 07B | | | | 66 | 23 | | 11U | | 14 | | | 24 | | 11B | 39 | | | 23 | | | | | | | | | | |
| | 10B | | | | 61 | 23 | RH16FF+ | 10T | | 43 | | | 24 | RK15IN+ | 07V | 44 | | | 24 | | | | | | | | | | |
| RF15FF+ | 03B | | | | 38 | 23 | | 11T | | 43 | | | 24 | | | | | | | | | | | | | | | | |
| | 07A | | | | 51 | 23 | RI05FF+ | 08T | | 50 | | | 24 | RK155C+ | 07B | 31 | | | 23 | | | | | | | | | | |
| | 10B | | | | 64 | 23 | | 09T | | 50 | | | 24 | | 11B | 54 | | | 23 | | | | | | | | | | |
| RF15FF- | 03A | | | | 63 | 23 | RI06FF+ | 08V | | 38 | | | 24 | RK16IN+ | 07V | 32 | | | 24 | | | | | | | | | | |
| | 07A | | | | 27 | 23 | | 09V | | 38 | | | 24 | | | | | | | | | | | | | | | | |
| | 10B | | | | 65 | 23 | RI07FF+ | 08V | | 30 | | | 24 | RK165C+ | 07A | 32 | | | 23 | | | | | | | | | | |
| RF16FF+ | 03B | | | | 12 | 23 | | 09V | | 30 | | | 24 | | 11B | 62 | | | 23 | | | | | | | | | | |
| | 07B | | | | 05 | 23 | RI08FF+ | 08T | | 44 | | | 24 | | | | | | | | | | | | | | | | |
| | 10B | | | | 42 | 23 | | 09T | | 44 | | | 24 | | | | | | | | | | | | | | | | |

PAGE 0020

DOCUMENT CONTINUED

INDEX: RF09FF-

| CONDENSED SIGNAL-LIST 716 CENTRAL PROCESSOR | | | | | | | | | | TDP DRAWING NUMBER 03128 K70033241-319 | | | | | | | | | | REV DATE FILE NAME S PAGE 05-20-75 CR716BAK 6 0022 | | | | | | | | | |
|--|-----|-----|-----|----|---------------------|----------|-------------|-----|-----|---|----|---------------------|----------|-------------|-----|-----|-----|----|---------------------|---|----|--|--|--|--|--|--|--|--|
| SIGNAL NAME | FR | SSC | DDM | PP | LBD DWG P LOCATOR T | LAST REV | SIGNAL NAME | FR | SSC | DDM | PP | LBD DWG P LOCATOR T | LAST REV | SIGNAL NAME | FR | SSC | DDM | PP | LBD DWG P LOCATOR T | LAST REV | | | | | | | | | |
| RX15FF+ | 10T | | | | 49 | 24 | TLFCYC+ | 07B | E | 15 | | | 03 | TPULSE+7 | 04B | | | | 68 | | 23 | | | | | | | | |
| | 11T | | | | 49 | 24 | | 08B | | 15 | | | 02 | | 06B | | | | 32 | | 23 | | | | | | | | |
| RX16FF+ | 10T | | | | 14 | 24 | TLF/IC+ | 01B | | 64 | | | A4 | TPULSE+ | 06B | | | | 04 | | A3 | | | | | | | | |
| | 11T | | | | 14 | 24 | | 02B | | 31 | | | A4 | | 08A | | | | 53 | | | | | | | | | | |
| RY05CY+ | 08V | | | | 50 | 24 | TL18TH- | 07B | | 30 | | | A4 | TPULSE+A | 03B | | | | 58 | | 23 | | | | | | | | |
| | 09V | | | | 50 | 24 | | 01B | | 65 | | | 23 | | 05B | | | | 16 | | 23 | | | | | | | | |
| RY09CY+ | 09B | | | | 48 | 23 | TLICYC+ | 06A | | 62 | | | 22 | | 06B | | | | 39 | | 23 | | | | | | | | |
| | 10A | | | | 60 | 22 | | E | 68 | | | 03 | | | 08V | | | | 46 | | 24 | | | | | | | | |
| RY13CY+ | 10U | | | | 45 | 24 | | 02B | | 69 | | | 02 | | 09V | | | | 16 | | 24 | | | | | | | | |
| | 11U | | | | 45 | 24 | | 08A | | 64 | | | 02 | | 10T | | | | 37 | | 24 | | | | | | | | |
| RY15FF+ | 01A | | | | 04 | 23 | TLICYC- | 08B | | 14 | | | 02 | | 10T | | | | 34 | | 24 | | | | | | | | |
| | 11B | | | | 03 | 23 | | 02A | | 32 | | | 22 | TPULSE+B | 01A | | | | 50 | | 02 | | | | | | | | |
| RY15FF- | 01A | | | | 06 | 22 | TLIPSP- | 01A | | 16 | | | 23 | | 02B | | | | 29 | | 03 | | | | | | | | |
| | 11A | | | | 21 | 22 | | 06B | | 48 | | | 23 | | 04B | | | | 18 | | 03 | | | | | | | | |
| RY16FF+ | 01A | | | | 10 | 23 | TLXCYC+ | 01B | | 56 | | | 02 | | 06B | | | | 29 | | 03 | | | | | | | | |
| | 11B | | | | 31 | 23 | | 02B | | 01 | | | 02 | | 07B | | | | 18 | | 02 | | | | | | | | |
| RY16FF- | 01A | | | | 08 | 22 | | E | 61 | | | 03 | TPULSE+H | 05B | | | | 51 | | A1 | | | | | | | | | |
| | 11A | | | | 18 | 22 | | 06B | | 46 | | | 02 | | 08A | | | | 49 | | A1 | | | | | | | | |
| SDRBO1+ | 01A | | | | 41 | 22 | TLXYZC+ | 01B | | 49 | | | 23 | TPULSE-7 | 05B | | | | 67 | | 23 | | | | | | | | |
| | 08A | | | | 09 | 22 | | 02B | | 01 | | | 23 | | 06B | | | | 37 | | 23 | | | | | | | | |
| SDRBO2+ | 01A | | | | 18 | 22 | | 03B | | 27 | | | 23 | TPULSE-A | 01A | E | | | 37 | | 03 | | | | | | | | |
| | 09A | | | | 10 | 22 | | 07B | | 27 | | | 23 | | 02A | | | | 27 | | 03 | | | | | | | | |
| SKPCON- | 03V | | | | 40 | 24 | TLYCIC+A | 02B | | 12 | | | 23 | | 05B | | | | 40 | | 02 | | | | | | | | |
| SLRA16+ | 03B | | | | 34 | 23 | | 03A | | 58 | | | 23 | | 09A | | | | 04 | | 02 | | | | | | | | |
| | 11B | | | | 58 | 23 | TLYCIC- | 08B | | 46 | | | 23 | | 07B | | | | 11 | | 02 | | | | | | | | |
| SLRBO1+ | 03B | | | | 68 | 23 | | 01B | | 60 | | | 23 | TPULSE-Y | 01B | | | | 14 | | 23 | | | | | | | | |
| | 08A | | | | 30 | 22 | | E | 15 | | | 23 | | | 04B | | | | 25 | | 23 | | | | | | | | |
| SLRBO1+ | 02B | | | | 60 | 23 | TLZCYC+A | 02B | | 30 | | | B2 | | 09B | | | | 43 | | 23 | | | | | | | | |
| | 11A | | | | 12 | 22 | | 07A | | 33 | | | B2 | | 11A | | | | 39 | | 22 | | | | | | | | |
| SLRBO1+ | 03A | | | | 25 | 22 | | 09A | | 61 | | | B2 | TRRAFw-P | 05B | | | | 32 | | 23 | | | | | | | | |
| | 08A | | | | 07 | 22 | TLZCYC- | 01B | | 63 | | | 23 | | 08A | | | | 08 | | 22 | | | | | | | | |
| SRRBO1+ | 03B | | | | 69 | 23 | | 02B | | 17 | | | 23 | TRRFw-P | 02B | | | | 22 | | 23 | | | | | | | | |
| | 08A | | | | 01 | 22 | | 04B | | 49 | | | 23 | | 09A | | | | 16 | | 22 | | | | | | | | |
| SRRBO2+ | 03B | | | | 65 | 23 | TPLDYD+ | 01A | | 12 | | | 23 | | 11A | | | | 13 | | 22 | | | | | | | | |
| | 09A | | | | 14 | 22 | | 09A | | 61 | | | 23 | TRRFw-P | 02B | | | | 42 | | 23 | | | | | | | | |
| TLFCYC+ | 01A | E | | | 22 | 03 | TPHALT+ | 06V | | 34 | | | 24 | | 08A | | | | 32 | | 22 | | | | | | | | |
| | 02B | | | | 24 | 02 | | 06A | | 39 | | | 23 | TRRFCL- | 05V | | | | 40 | | 24 | | | | | | | | |
| | 03A | | | | 30 | 02 | | 12B | | 0054F04 | I | 23 | | TRRFw-P | 05B | | | | 56 | | 23 | | | | | | | | |
| | 09B | | | | 37 | 02 | | | | | | | | | 08B | | | | 69 | | 23 | | | | | | | | |

PAGE 0022

DOCUMENT CONTINUED

INDEX: RX15FF+

| CONDENSED SIGNAL-LIST 716 CENTRAL PROCESSOR | | | | | | | | | | TDP DRAWING NUMBER 03128 K70033241-319 | | | | | | | | | | REV DATE FILE NAME S PAGE 05-20-75 CR716BAK 6 0021 | | | | | | | | | |
|--|-----|-----|-----|----|---------------------|----------|-------------|-----|-----|---|----|---------------------|----------|-------------|-----|-----|-----|----|---------------------|---|-----|--|--|--|--|--|--|--|--|
| SIGNAL NAME | FR | SSC | DDM | PP | LBD DWG P LOCATOR T | LAST REV | SIGNAL NAME | FR | SSC | DDM | PP | LBD DWG P LOCATOR T | LAST REV | SIGNAL NAME | FR | SSC | DDM | PP | LBD DWG P LOCATOR T | LAST REV | | | | | | | | | |
| RKCBIT+ | 02A | | | | 61 | 23 | RM02FF+ | 09V | | 12 | | | 24 | RP13CY+ | 10T | 35 | | | 24 | | | | | | | | | | |
| | 03B | | | | 57 | 23 | | 09U | | 37 | | | 24 | | 11T | 35 | | | 24 | | | | | | | | | | |
| | 08A | | | | 19 | 24 | RM03FF+ | 08U | | 37 | | | 24 | HR10FF+ | 06B | | | | 0 | 23 | | | | | | | | | |
| | 08T | | | | 28 | 24 | | 09U | | 37 | | | 24 | | 10A | | | | 46 | | 022 | | | | | | | | |
| | 09T | | | | 28 | 24 | RM04FF+ | 08U | | 49 | | | 24 | | 10A | | | | 33 | | 022 | | | | | | | | |
| | | | | | | | | | | | | | | | | | | | | | | | | | | | | | |

| CONDENSED SIGNAL LIST 716 CENTRAL PROCESSOR | | | | | | | | | | TDP DRAWING NUMBER 03128 K70033241-319 | | | | | | | | | | REV B | | | | | | | | | | DATE 05-20-75 | | | | | | | | | | FILE NAME CR716BAK | | | | | | | | | | S 6 | | | | | | | | | | PAGE 0024 | | | | | | | | | |
|--|-----|-----|-----|----|---------|-----|---|------|----------|---|-----|-----|-----|----|---------|-----|---|------|-----|-------------|----------|-----|-----|----|-----|-----|---|------|-----|------------------|----|-----|-----|----|-----|-----|---|------|-----|-----------------------|--|--|--|--|--|--|--|--|--|--------|--|--|--|--|--|--|--|--|--|--------------|--|--|--|--|--|--|--|--|--|
| SIGNAL NAME | FR | SSC | DDM | PP | LBD | DWG | P | LAST | REV | SIGNAL NAME | FR | SSC | DDM | PP | LBD | DWG | P | LAST | REV | SIGNAL NAME | FR | SSC | DDM | PP | LBD | DWG | P | LAST | REV | SIGNAL NAME | FR | SSC | DDM | PP | LBD | DWG | P | LAST | REV | | | | | | | | | | | | | | | | | | | | | | | | | | | | | | |
| ZGD02A70 | 02A | | | | 70 | / | | G | 22 | ZGD05 | 05U | 28 | | | 0148E03 | | | 24 | | ZGD07B70 | 07B | | | | 70 | / | | G | 23 | | | | | | | | | | | | | | | | | | | | | | | | | | | | | | | | | | | | | | | | |
| ZGD02B02 | 02B | | | | 02 | / | | G | 23 | - | 05U | 30 | | | 0148E03 | | | 24 | | ZGD07B | 07A | E | 62 | | | | | | G | 02 | | | | | | | | | | | | | | | | | | | | | | | | | | | | | | | | | | | | | | | |
| ZGD02B23 | 02B | | | | 23 | / | | G | 23 | - | 05U | 32 | | | 0148E03 | | | 24 | | - | 07A | | | | | | | | | | | | | | | | | | | | | | | | | | | | | | | | | | | | | | | | | | | | | | | | |
| ZGD02B47 | 02B | | | | 47 | / | | G | 23 | - | 05U | 34 | | | 0148E03 | | | 24 | | ZGD08 | 08T | | | | | | | | | | | | | | | | | A5 | | | | | | | | | | | | | | | | | | | | | | | | | | | | | | | |
| ZGD02B70 | 02B | | | | 70 | / | | G | 23 | - | 05U | 36 | | | 0148E03 | | | 24 | | - | 08T | | | | | | | | | | | | | | | | | A5 | | | | | | | | | | | | | | | | | | | | | | | | | | | | | | | |
| ZGD03A02 | 03A | | | | 02 | / | | G | 22 | - | 05U | 38 | | | 0148E03 | | | 24 | | - | 08U | | | | | | | | | | | | | | | | | | A5 | | | | | | | | | | | | | | | | | | | | | | | | | | | | | | |
| ZGD03A23 | 03A | | | | 23 | / | | G | 22 | - | 05U | 40 | | | 0148E03 | | | 24 | | - | 08U | | | | | | | | | | | | | | | | | | | A5 | | | | | | | | | | | | | | | | | | | | | | | | | | | | | |
| ZGD03A47 | 03A | | | | 47 | / | | G | 22 | ZGD05A02 | 05A | 02 | | | / | | | G | 22 | ZGD08A02 | 08A | | | | | | | | | | | | | | | | | | | | | | | | | | | | | | | | | | | | | | | | | | | | | | | | |
| ZGD03A70 | 03A | | | | 70 | / | | G | 22 | ZGD05A23 | 05A | 23 | | | / | | | G | H3 | ZGD08A23 | 08A | | | | | | | | | | | | | | | | | | | | | | | | | | | | | | | | | | | | | | | | | | | | | | | | |
| ZGD03B02 | 03B | | | | 02 | / | | G | 23 | ZGD05A47 | 05A | 47 | | | / | | | G | A4 | ZGD08A47 | 08A | | | | | | | | | | | | | | | | | | | | | | | | | | | | | | | | | | | | | | | | | | | | | | | | |
| ZGD03B23 | 03B | | | | 23 | / | | G | 23 | ZGD05A70 | 05A | 70 | | | / | | | G | A4 | ZGD08A70 | 08A | | | | | | | | | | | | | | | | | | | | | | | | | | | | | | | | | | | | | | | | | | | | | | | | |
| ZGD03B47 | 03B | | | | 47 | / | | G | 23 | ZGD05B02 | 05B | 02 | | | / | | | G | 23 | ZGD08A | 08B | E | 23 | | | | | | | | | | | | | | | | | | | | | | | | | | | | | | | | | | | | | | | | | | | | | | |
| ZGD03B70 | 03B | | | | 70 | / | | G | 23 | ZGD05B47 | 05B | 47 | | | / | | | G | 23 | ZGD08B | 08B | E | 25 | | | | | | | | | | | | | | | | | | | | | | | | | | | | | | | | | | | | | | | | | | | | | | |
| ZGD04A02 | 04A | | | | 02 | / | | G | 22 | ZGD05B70 | 05B | 70 | | | / | | | G | 23 | ZGD08B02 | 08B | | | | | | | | | | | | | | | | | | | | | | | | | | | | | | | | | | | | | | | | | | | | | | | | |
| ZGD04A23 | 04A | | | | 23 | / | | G | 22 | ZGD06A02 | 06A | 02 | | | / | | | G | 22 | ZGD08B70 | 08B | | | | | | | | | | | | | | | | | | | | | | | | | | | | | | | | | | | | | | | | | | | | | | | | |
| ZGD04A70 | 04A | | | | 70 | / | | G | 22 | ZGD06A23 | 06A | 23 | | | / | | | G | 22 | ZGD08B | 08B | E | 51 | | | | | | | | | | | | | | | | | | | | | | | | | | | | | | | | | | | | | | | | | | | | | | |
| ZGD04A | 04A | | | | 47 | / | | G | 22 | ZGD06A47 | 06A | 47 | | | / | | | G | 22 | ZGD09 | 09T | | | | | | | | | | | | | | | | | | | | | | | | | | | | | | | | | | | | | | | | | | | | | | | | |
| ZGD04B02 | 04B | | | | 02 | / | | G | 23 | ZGD06A70 | 06A | 70 | | | / | | | G | 22 | - | 09T | | | | | | | | | | | | | | | | | | | | | | | | | | | | | | | | | | | | | | | | | | | | | | | | |
| ZGD04B23 | 04B | | | | 23 | / | | G | 23 | ZGD06B02 | 06B | 02 | | | / | | | G | 23 | - | 09U | | | | | | | | | | | | | | | | | | | | | | | | | | | | | | | | | | | | | | | | | | | | | | | | |
| ZGD04B47 | 04B | | | | 47 | / | | G | 23 | ZGD06B23 | 06B | 23 | | | / | | | G | 23 | ZGD09A23 | 09A | | | | | | | | | | | | | | | | | | | | | | | | | | | | | | | | | | | | | | | | | | | | | | | | |
| ZGD04B70 | 04B | | | | 70 | / | | G | 23 | ZGD06B47 | 06B | 47 | | | / | | | G | 23 | ZGD09A47 | 09A | | | | | | | | | | | | | | | | | | | | | | | | | | | | | | | | | | | | | | | | | | | | | | | | |
| ZGD05 | 05U | 02 | | | 0148E03 | | | 24 | ZGD06B70 | 06B | 70 | | | / | | | | G | 23 | ZGD09A | 09A | E | 68 | | | | | | | | | | | | | | | | | | | | | | | | | | | | | | | | | | | | | | | | | | | | | | |
| - | 05U | 04 | | | 0148E03 | | | 24 | ZGD07A02 | 07A | 02 | | | / | | | | G | 22 | ZGD09B02 | 09B | | | | | | | | | | | | | | | | | | | | | | | | | | | | | | | | | | | | | | | | | | | | | | | | |
| - | 05U | 06 | | | 0148E03 | | | 24 | ZGD07A23 | 07A | 23 | | | / | | | | G | 22 | ZGD09B47 | 09B | | | | | | | | | | | | | | | | | | | | | | | | | | | | | | | | | | | | | | | | | | | | | | | | |
| - | 05U | 08 | | | 0148E03 | | | 24 | ZGD07A | 07A | | | | | | | | | G | 02 | ZGD09B70 | 09B | | | | | | | | | | | | | | | | | | | | | | | | | | | | | | | | | | | | | | | | | | | | | | | |
| - | 05U | 10 | | | 0148E03 | | | 24 | - | 07A | E | 66 | | | | | | | G | 03 | ZGD09B | 09B | | | | | | | | | | | | | | | | | | | | | | | | | | | | | | | | | | | | | | | | | | | | | | | |
| - | 05U | 12 | | | 0148E03 | | | 24 | ZGDC7B02 | 07B | 02 | | | / | | | | | G | 23 | - | 09B | | | | | | | | | | | | | | | | | | | | | | | | | | | | | | | | | | | | | | | | | | | | | | | |
| - | 05U | 14 | | | 0148E03 | | | 24 | - | 07B | | | | | | | | | | G | 23 | - | 09B | | | | | | | | | | | | | | | | | | | | | | | | | | | | | | | | | | | | | | | | | | | | | | |
| - | 05U | 16 | | | 0148E03 | | | 24 | ZGD07B23 | 07B | 23 | | | / | | | | | G | 23 | - | 09B | | | | | | | | | | | | | | | | | | | | | | | | | | | | | | | | | | | | | | | | | | | | | | | |
| - | 05U | 18 | | | 0148E03 | | | 24 | ZGD07B47 | 07B | 47 | | | / | | | | | G | 23 | - | 09B | | | | | | | | | | | | | | | | | | | | | | | | | | | | | | | | | | | | | | | | | | | | | | | |
| - | 05U | 20 | | | 0148E03 | | | 24 | - | 07B | | | | | | | | | | | | | | | | | | | | | | | | | | | | | | | | | | | | | | | | | | | | | | | | | | | | | | | | | | | |
| - | 05U | 22 | | | 0148E03 | | | 24 | - | 07B | | | | | | | | | | | | | | | | | | | | | | | | | | | | | | | | | | | | | | | | | | | | | | | | | | | | | | | | | | | |
| - | 05U | 24 | | | 0148E03 | | | 24 | - | 07B | | | | | | | | | | | | | | | | | | | | | | | | | | | | | | | | | | | | | | | | | | | | | | | | | | | | | | | | | | | |
| - | 05U | 26 | | | 0148E03 | | | 24 | - | 07B | | | | | | | | | | | | | | | | | | | | | | | | | | | | | | | | | | | | | | | | | | | | | | | | | | | | | | | | | | | |

PAGE 0024

DOCUMENT CONTINUED

INDEX: ZGD02A70

| CONDENSED SIGNAL LIST 716 CENTRAL PROCESSOR | | | | | | | | | | TDP DRAWING NUMBER 03128 K70033241-319 | | | | | | | | | | REV B | | | | | | | | | | DATE 05-20-75 | | | | | | | | | | FILE NAME CR716BAK | | | | | | | | | | S 6 | | | | | | | | | | PAGE 0026 | | | | | | | | | |
|--|-----|-----|-----|----|-----|-----|---|------|-----|---|-----|-----|-----|----|-----|-----|---|------|-----|-------------|-----|-----|-----|----|-----|-----|---|------|-----|------------------|----|-----|-----|----|-----|-----|---|------|-----|-----------------------|--|--|--|--|--|--|--|--|--|--------|--|--|--|--|--|--|--|--|--|--------------|--|--|--|--|--|--|--|--|--|
| SIGNAL NAME | FR | SSC | DDM | PP | LBD | DWG | P | LAST | REV | SIGNAL NAME | FR | SSC | DDM | PP | LBD | DWG | P | LAST | REV | SIGNAL NAME | FR | SSC | DDM | PP | LBD | DWG | P | LAST | REV | SIGNAL NAME | FR | SSC | DDM | PP | LBD | DWG | P | LAST | REV | | | | | | | | | | | | | | | | | | | | | | | | | | | | | | |
| ZGD07B70 | 07B | | | | 70 | / | | G | 23 | ZGD08A02 | 08A | 02 | | | / | | | G | 22 | ZGD09A23 | 09A | | | | | | | | | | | | | | | | | | | | | | | | | | | | | | | | | | | | | | | | | | | | | | | | |
| ZGD07B | 07A | E | 62 | | | | | | | ZGD08A23 | 08A | 23 | | | / | | | G | 22 | ZGD09A47 | 09A | | | | | | | | | | | | | | | | | | | | | | | | | | | | | | | | | | | | | | | | | | | | | | | | |
| ZGD08 | 08T | | | | 31 | / | | | | ZGD08A47 | 08A | 47 | | | / | | | G | 22 | ZGD09A | 09A | E | 68 | | | | | | | | | | | | | | | | | | | | | | | | | | | | | | | | | | | | | | | | | | | | | | |
| - | 08U | | | | 31 | / | | | | ZGD08A70 | 08A | 70 | | | / | | | G | 22 | ZGD09B02 | 09B | | | | | | | | | | | | | | | | | | | | | | | | | | | | | | | | | | | | | | | | | | | | | | | | |
| - | 08U | | | | 47 | / | | | | ZGD08A | 08B | E | 23 | | | | | G | 02 | ZGD09B47 | 09B | | | | | | | | | | | | | | | | | | | | | | | | | | | | | | | | | | | | | | | | | | | | | | | | |
| - | 08V | | | | 31 | / | | | | ZGD08B | 08B | E | 25 | | | | | G | 03 | ZGD09B70 | 09B | | | | | | | | | | | | | | | | | | | | | | | | | | | | | | | | | | | | | | | | | | | | | | | | |
| - | 08V | | | | 47 | / | | | | ZGD08B02 | 08B | 02 | | | / | | | G | 23 | ZGD09B | 09B | | | | | | | | | | | | | | | | | | | | | | | | | | | | | | | | | | | | | | | | | | | | | | | | |
| - | 08V | | | | 31 | / | | | | ZGD08B70 | 08B | 70 | | | / | | | G | 23 | - | 09B | | | | | | | | | | | | | | | | | | | | | | | | | | | | | | | | | | | | | | | | | | | | | | | | |
| - | 08V | | | | 47 | / | | | | ZGD08B | 08B | E | 51 | | | | | G | 03 | - | 09B | | | | | | | | | | | | | | | | | | | | | | | | | | | | | | | | | | | | | | | | | | | | | | | | |
| - | 09T | | | | 31 | / | | | | ZGD09 | 09T | | | | | | | | | | | | | | | | | | | | | | | | | | | | | | | | | | | | | | | | | | | | | | | | | | | | | | | | | | |
| - | 09T | | | | 47 | / | | | | - | 09T | | | | | | | | | | | | | | | | | | | | | | | | | | | | | | | | | | | | | | | | | | | | | | | | | | | | | | | | | | |
| - | 09U | | | | 47 | / | | | | - | 09U | | | | | | | | | | | | | | | | | | | | | | | | | | | | | | | | | | | | | | | | | | | | | | | | | | | | | | | | | | |
| - | 09V | | | | 31 | / | | | | - | 09V | | | | | | | | | | | | | | | | | | | | | | | | | | | | | | | | | | | | | | | | | | | | | | | | | | | | | | | | | | |
| - | 09V | | | | 47 | / | | | | - | 09V | | | | | | | | | | | | | | | | | | | | | | | | | | | | | | | | | | | | | | | | | | | | | | | | | | | | | | | | | | |
| - | 09V | | | | 31 | / | | | | ZGD09A23 | 09A | 23 | | | / | | | G | 22 | ZGD09B | 09B | | | | | | | | | | | | | | | | | | | | | | | | | | | | | | | | | | | | | | | | | | | | | | | | |
| - | 09V | | | | 47 | / | | | | ZGD09A47 | 09A | 47 | | | / | | | G | 22 | ZGD09B70 | 09B | | | | | | | | | | | | | | | | | | | | | | | | | | | | | | | | | | | | | | | | | | | | | | | | |
| - | 09V | | | | 70 | / | | | | ZGD09A | 09A | 70 | | | / | | | G | 02 | ZGD09B | 09B | | | | | | | | | | | | | | | | | | | | | | | | | | | | | | | | | | | | | | | | | | | | | | | | |
| - | 09A | | | | 68 | / | | | | ZGD09A | 09A | E | 68 | | | | | G | 03 | - | 09B | | | | | | | | | | | | | | | | | | | | | | | | | | | | | | | | | | | | | | | | | | | | | | | | |
| - | 09B | | | | 02 | / | | | | ZGD09B02 | 09B | 02 | | | / | | | G | 23 | - | 09B | | | | | | | | | | | | | | | | | | | | | | | | | | | | | | | | | | | | | | | | | | | | | | | | |
| - | 09B | | | | 47 | / | | | | | | | | | | | | | | | | | | | | | | | | | | | | | | | | | | | | | | | | | | | | | | | | | | | | | | | | | | | | | | | |

FIRST CLASS
Permit No. 39531
Waltham, Ma.

Business Reply Mail NO POSTAGE STAMP NECESSARY IF MAILED IN THE UNITED STATES
POSTAGE WILL BE PAID BY

HONEYWELL INFORMATION SYSTEMS INC.
200 SMITH STREET
WALTHAM, MA. 02154

MAIL STATION 872A
HARDWARE PUBLICATIONS, BILLERICA

Honeywell

FIRST CLASS
Permit No. 39531
Waltham, Ma.

Business Reply Mail NO POSTAGE STAMP NECESSARY IF MAILED IN THE UNITED STATES
POSTAGE WILL BE PAID BY

HONEYWELL INFORMATION SYSTEMS INC.
200 SMITH STREET
WALTHAM, MA. 02154

MAIL STATION 872A
HARDWARE PUBLICATIONS, BILLERICA

Honeywell

USERS' REMARKS FORM

TITLE _____

DOC. PART NO. _____
DATED _____

ERRORS NOTED

SUGGESTIONS FOR IMPROVEMENT

NAME _____
COMPANY _____ M/S _____
TITLE _____
ADDRESS _____
ZIP _____

DATE _____

USERS' REMARKS FORM

TITLE _____

DOC. PART NO. _____
DATED _____

ERRORS NOTED

SUGGESTIONS FOR IMPROVEMENT

NAME _____
COMPANY _____ M/S _____
TITLE _____
ADDRESS _____
ZIP _____

DATE _____

CUT ALONG LINE

CUT ALONG LINE