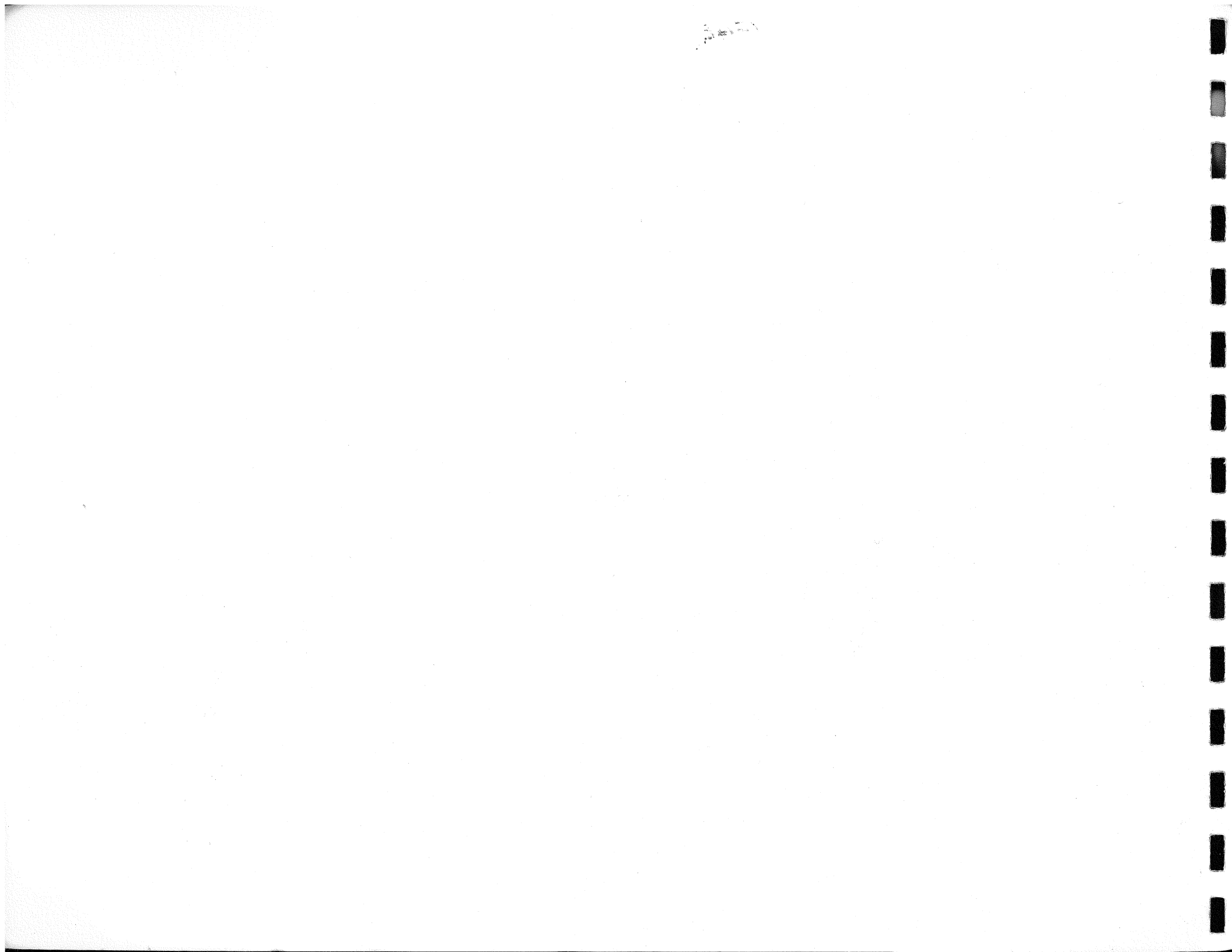




Honeywell

μ -COMP DDP-516 general purpose I/C digital computer



WEISE

Doc. No. 130071622D

M-968

Instruction Manual

DDP-516 GENERAL PURPOSE COMPUTER

Volume III

DRAWINGS

January 1969

Honeywell

Original printing Sept. 1966
Revised Feb. 1967, July and August 1968, and January 1969
Reprinted September 1968, and January 1969

COPYRIGHT 1969, by Honeywell Inc., Computer Control
Division. Contents of this publication may not be reproduced
in any form in whole or in part, without permission of the
copyright owner. All rights reserved.

NOTE

This manual includes drawings revised in accordance
with ECO 3255, 3467, 3686, 3704, 3718, 3767, 3839,
3990, 4084, 4131, 4172, 4217, 4226, 4286, 4350,
4483, 4464, 4763, 4895, 5170, 5641, 5724, 5776,
5906, and 6154.

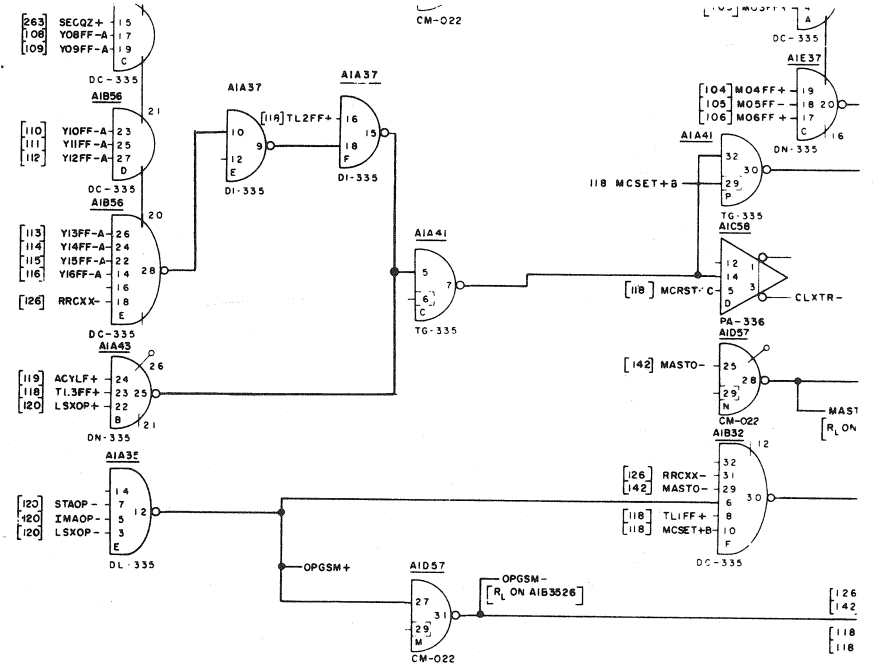
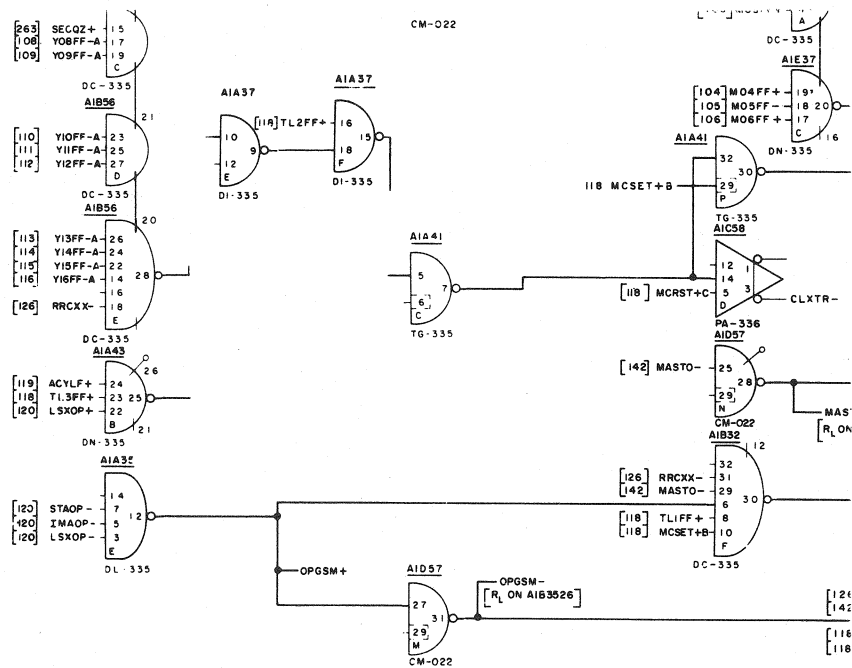
HONEYWELL LIMITED, COMPUTER CONTROL DIVISION

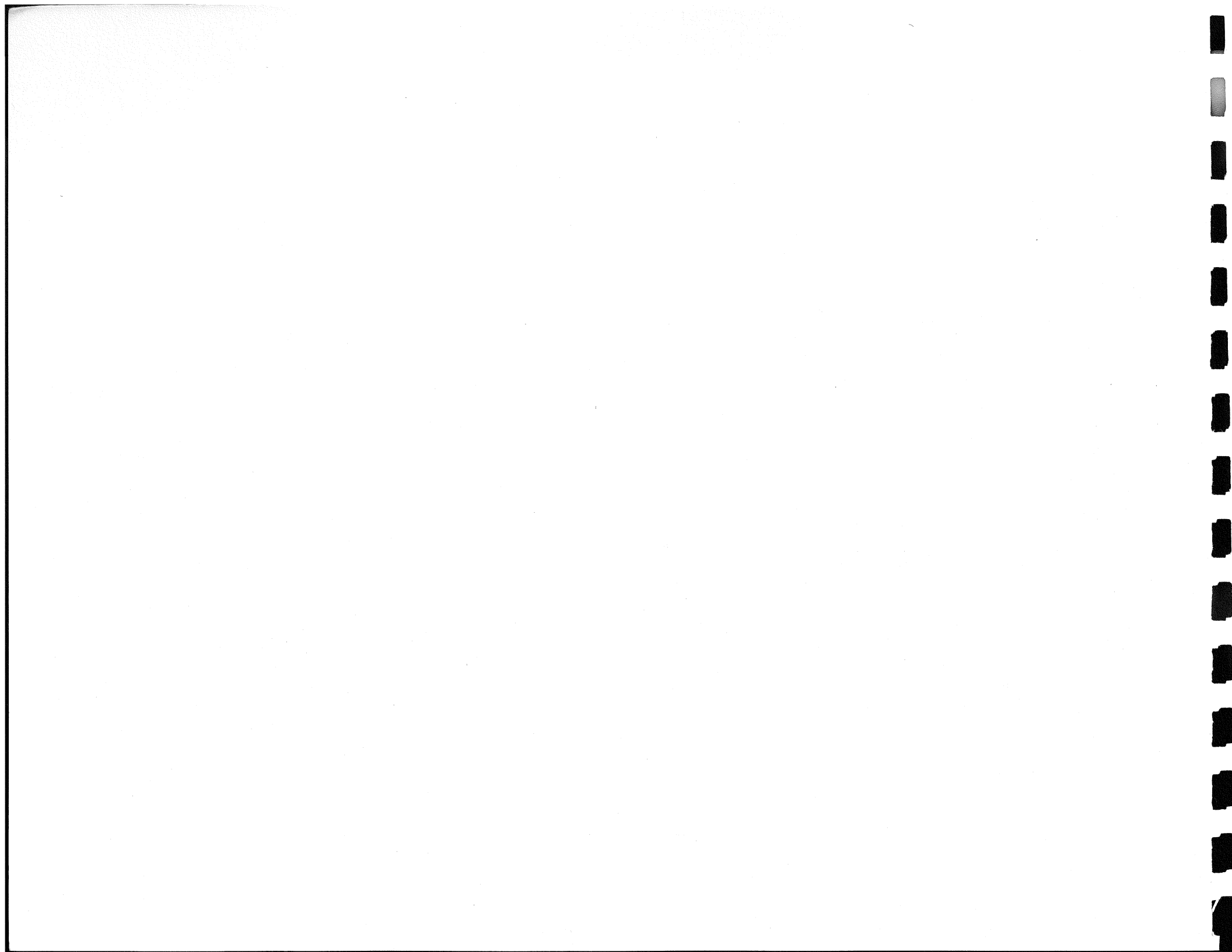
Instruction Manual Vol III DDP-516 General Purpose Computer Doc.No. 130071622D M968

Please note the following printing error on LBD No. 0.128, Page 29

LBD No. 0.128 READS

LBD No. 0.128 SHOULD READ





CONTENTS

<u>Logic Page No.</u>	<u>Title</u>	<u>Dwg No.</u>	<u>Rev</u>	<u>Page</u>	<u>Logic Page No.</u>	<u>Title</u>	<u>Dwg No.</u>	<u>Rev</u>	<u>Page</u>
0.100	DDP-516 PAC Allocation	016252	H	1	0.118	DDP-516 TLG and Clock Block Diagram	015743	B	19
0.101	DDP-516 Column No. 1 Block Diagram	015726	C	2	0.119	DDP-516 Phase Register Block Diagram	015744	C	20
0.102	DDP-516 Column No. 2 Block Diagram	015727	D	3	0.120	DDP-516 F Register and OP Decode Block Diagram	015745	B	21
0.103	DDP-516 Column No. 3 Block Diagram	015728	B	4	0.121	DDP-516 Shift Counter Block Diagram	015746	B	22
0.104	DDP-516 Column No. 4 Block Diagram	015729	B	5	0.122	DDP-516 Control Logic A Block Diagram	015747	D	23
0.105	DDP-516 Column No. 5 Block Diagram	015730	B	6	0.123	DDP-516 Control Logic B Block Diagram	015748	C	24
0.106	DDP-516 Column No. 6 Block Diagram	015731	B	7	0.124	DDP-516 Control Logic C Block Diagram	015749	D	25
0.107	DDP-516 Column No. 7 Block Diagram	015732	B	8	0.125	DDP-516 Control Logic DE Block Diagram	015750	E	26
0.108	DDP-516 Column No. 8 Block Diagram	015733	B	9	0.126	DDP-516 Control Logic H Block Diagram	015751	H	27
0.109	DDP-516 Column No. 9 Block Diagram	015734	B	10	0.127	DDP-516 Control Logic S Block Diagram	015752	E	28
0.110	DDP-516 Column No. 10 Block Diagram	015735	B	11	0.128	DDP-516 Control Logic MX Block Diagram	015753	D	29
0.111	DDP-516 Column No. 11 Block Diagram	015736	B	12	0.129	DDP-516 Control Logic PY Block Diagram	015754	D	30
0.112	DDP-516 Column No. 12 Block Diagram	015737	B	13	0.130	DDP-516 Shift End Effects Block Diagram	015755	C	31
0.113	DDP-516 Column No. 13 Block Diagram	015738	B	14	0.132	DDP-516 Console Lamp Drivers Block Diagram	015756	B	32
0.114	DDP-516 Column No. 14 Block Diagram	015739	B	15	0.134	DDP-516 Control Logic Input/Output Block Diagram	015757	F	33
0.115	DDP-516 Column No. 15 Block Diagram	015740	B	16	0.135	DDP-516 Interrupt Address Encoding Block Diagram	015758	C	34
0.116	DDP-516 Column No. 16 Block Diagram	015741	B	17	0.137	DDP-516 M-Register Expansion	015760	B	34A
0.117	DDP-516 Adder Carry Net Block Diagram	015742	A	18					

CONTENTS (Cont)

<u>Logic Page No.</u>	<u>Title</u>	<u>Dwg No.</u>	<u>Rev</u>	<u>Page</u>	<u>Logic Page No.</u>	<u>Title</u>	<u>Dwg No.</u>	<u>Rev</u>	<u>Page</u>
0.138	DDP-516 Output Buses Block Diagram	015761	D	35	0.158	Data Channel Bits 11 and 12 Block Diagram	015423	A	53
0.139	DDP-516 Algorithms Table Block Diagram	016157	A	36	0.159	Data Channel Bits 13 and 14 Block Diagram	015424	A	54
0.140	DDP-516 Console Indicators Block Diagram	015762	B	37	0.160	Data Channel Bits 15 and 16 Block Diagram	015425	A	55
0.141	DDP-516 Console Switches Block Diagram	015763	E	38	0.161	Data Channel Bit 17 Block Diagram	015426	A	56
0.142	DDP-516 Console and Memory Cable Connector	015764	B	39	0.162	Timing Diagram Memory Block Diagram	015427	D	57
0.143	DDP-516 Input/Output Cable Connectors	015765	B	40	0.199	Memory Input/Output Cable Block Diagram	015428	A	58
0.144	DDP-516 Option Jumpers	015766	A	41	0.340	ASR Controls	015859	F	59
0.145	DDP-516 Y-Register Expansion Block Diagram	015767	C	42	0.341	ASR Buffer Register	015860	F	60
0.148	DDP-516 Power Distribution	015768	G	43	0.342	ASR Input/Output Interface	015858	F	61
0.149	DDP-516 Memory Drive Fanout Block Diagram	015769	B	44	0.345	PAC Allocations (ASR)	015654	D	62
0.150	Timing and Control Block Diagram	015415	D	45	0.346	ASR Connectors (ASR 33/35)	015861	C	63
0.151	Address Buffer Block Diagram	015416	A	46		Coding Drawing DDP-516 (Sheet 1 of 9)	014087	V	64
0.152	X Decoding and Selection Block Diagram	015417	B	47		Coding Drawing DDP-516 (Sheet 2 of 9)	014087	V	65
0.153	Data Channel Bits 1 and 2 Block Diagram	015418	A	48		Coding Drawing DDP-516 (Sheet 3 of 9)	014087	V	66
0.154	Data Channel Bits 3 and 4 Block Diagram	015419	A	49		Coding Drawing DDP-516 (Sheet 4 of 9)	014087	V	67
0.155	Data Channel Bits 5 and 6 Block Diagram	015420	A	50		Coding Drawing DDP-516 (Sheet 5 of 9)	014087	V	68
0.156	Data Channel Bits 7 and 8 Block Diagram	015421	A	51		Coding Drawing DDP-516 (Sheet 7 of 9)	014087	V	69
0.157	Data Channel Bits 9 and 10 Block Diagram	015422	A	52		Coding Drawing DDP-516 (Sheet 8 of 9)	014087	V	70
						Coding Drawing DDP-516 (Sheet 9 of 9)	014087	V	71

CONTENTS (Cont)

<u>Logic Page No.</u>	<u>Title</u>	<u>Dwg No.</u>	<u>Rev.</u>	<u>Page</u>
	Coding ICM-40	010713	D	72
	Cable Routing Drawing (Sheet 1 of 2)	014417	E	73
	Cable Routing Drawing (Sheet 2 of 2)	014417	E	74
	Memory Module Assembly Drawing DDP-516	013005	B	75
0.191	PAC Allocation A4/A5, 4K Tiltout Assembly	017110	C	76
0.192	PAC Allocation 4A/A5, 8K Tiltout Assembly	017111	C	77
0.193	PAC Allocation A4/A5, 12K Tiltout Assembly	017112	C	78
0.194	PAC Allocation A4/A5, 16K Tiltout Assembly	017113	C	79
0.195	PAC Allocation B1/B2, Back Tiltout Assembly	017114	B	80
0.196	PAC Allocation B1/B2, 16K Tiltout Assembly	017115	B	81
	Coding 516N	020350	D	82

FOREWORD

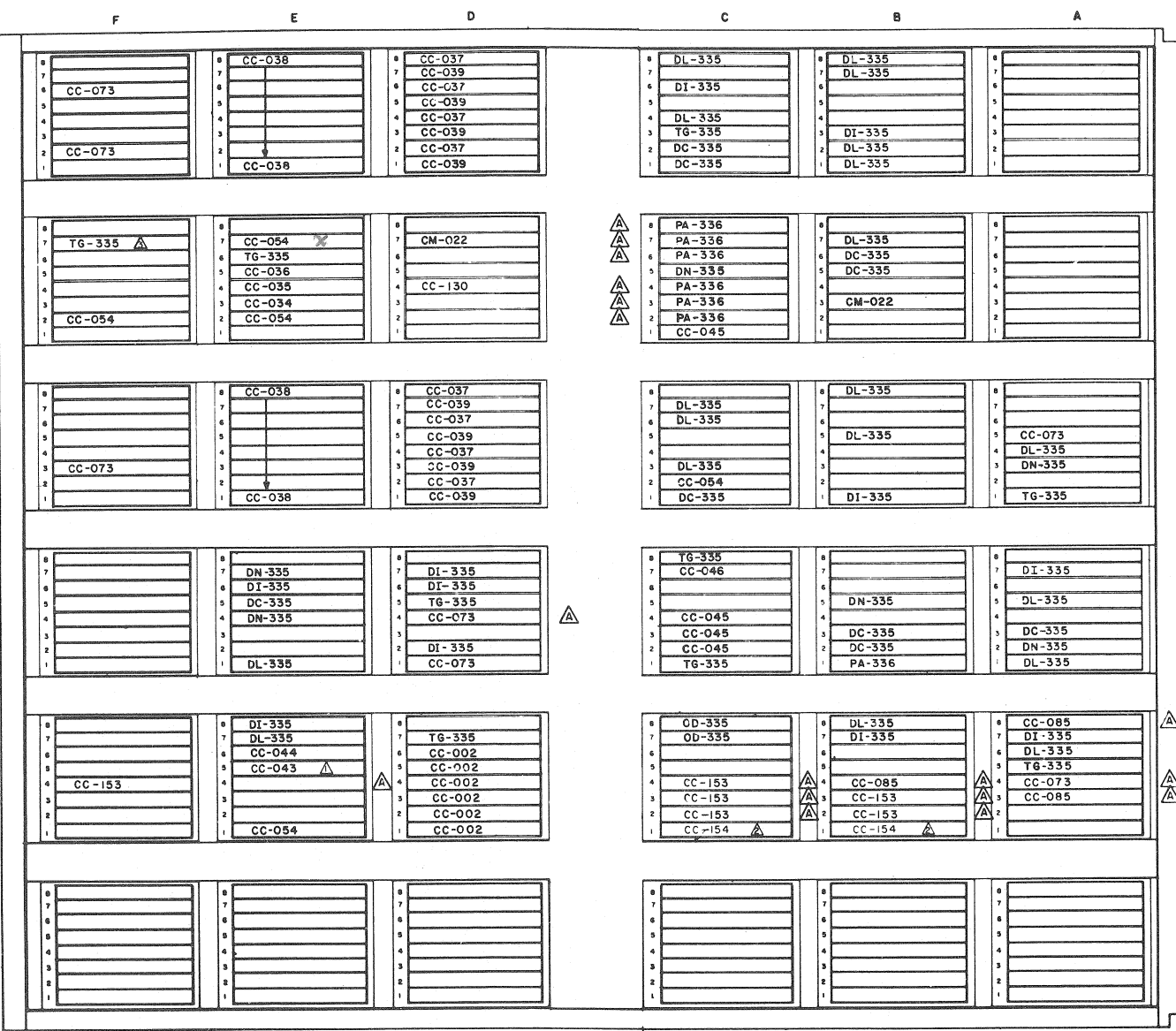
This volume contains electrical and mechanical reference drawings for the DDP-516 General Purpose Computer. Mechanical drawings follow the logic drawings. The logic drawings are arranged according to the LBD numbers that appear in the upper right-hand corner of each drawing. System cabling information, cable routing diagrams, the main frame PAC location diagram, and the main frame and option cabinet coding diagrams follow the logic diagrams.

The origins of input signals are shown at their destinations on the logic drawings. For example, the input signal EASTL+ on LBD number 0.101, coordinates A4, is preceded by [127], the LBD number of the logic drawing on which the signal originates.

Volume I contains maintenance data and the theory of operation of the Computer Control Processing unit, Memory, and the standard Input/Output interface equipment. The drawings contained in this Volume (III) are referenced throughout Volume I.

Volume II contains the flow charts and instruction analyses of all DDP-516 instructions (except for those that apply to specific options, such as the High Speed Arithmetic Unit). Volume II also contains the function index, which lists the signal mnemonics in alphanumerical sequence. Their definitions, and source are also included.

The reader should take note of areas on the LBDs which are within dashed lines, such as the gate on LBD 0.101, A3. The dashed-line areas contain logic used for certain options. This logic is present only when the computer is equipped with the option noted within the dashed line area. An example is the High Speed Arithmetic Unit.



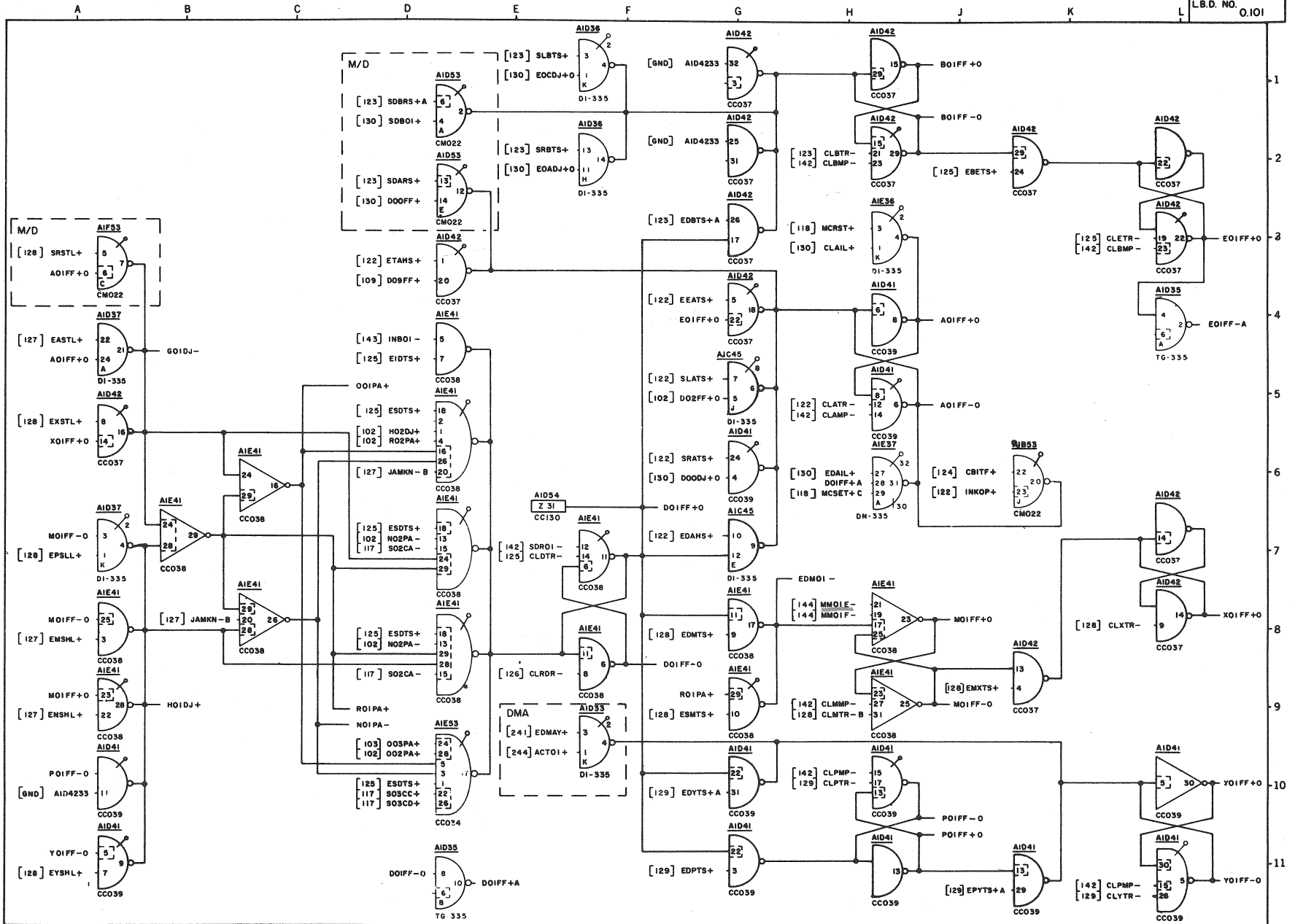
- △ FOR 50 HZ OPERATION, CC-043 IN LOCATION E25 IS REPLACED BY A CC-169.
- △ CC-154 IN LOCATIONS C21 AND B21 SHOULD BE REMOVED AND PLACED IN THE LAST OPTION AT END OF I/O BUS WHEN OPTIONS ARE USED.
- △ THIS PAC REQUIRED WHEN SYSTEM HAS MORE THAN 8K OF MEMORY

EXT CHNG SEE ECO
 EX-1-8P
 ECO 4763 G
 REVISIONS
 RELEASED
 3/15/67
 ECO 4226
 EXT CHANGES
 SEE ECO P. 3/23/67

COMPUTER CONTROL COMPANY INC
 FRAMINGHAM MASS 01901
 DR _____ DATE _____
 ENG _____
 APP _____
 PROJECT NO. 55223

TITLE
DDP-516
PAC ALLOCATION, MAIN FRAME

SIZE DWG NO REV
C 016252 G



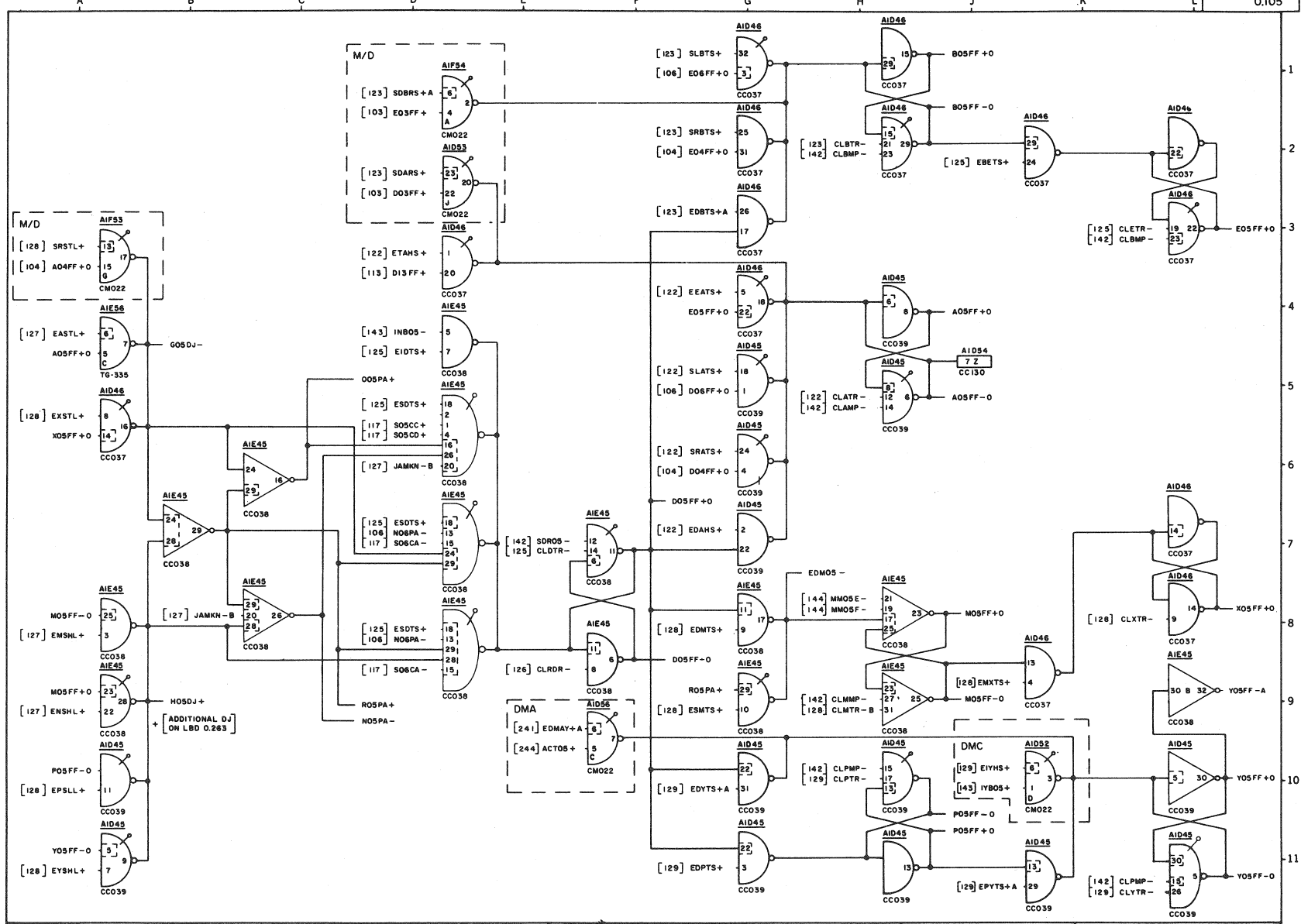
REVISIONS	DATE	BY	DESCRIPTION
1	3.9.64-1264	A	
2	ECO 3787	B	
3	ECO 4763	C	
4	EXT CHG. SEE ECO 12-4-68	D.N.H.	
5	1/23/67 J.P.		

DR.	A. KURTZER	DATE	4/68
ENG.			
APP.			
PROJECT NO.	59223	SIZE	DWG. NO.
		C	015726
			REV. C

COMPUTER CONTROL COMPANY, INC.

 FRAMINGHAM MASS / LOS ANGELES CA, CALIF.

 TITLE: DDP-516 COLUMN NO. 1



REVISIONS	
S.R. 64-1864 A	
ECO 3736 B	
EXT CHANGES	1/28/67 J.P.
	RCL 1/30

COMPUTER CONTROL COMPANY, INC.
FRAMINGHAM MASS LOS ANGELES CALIF

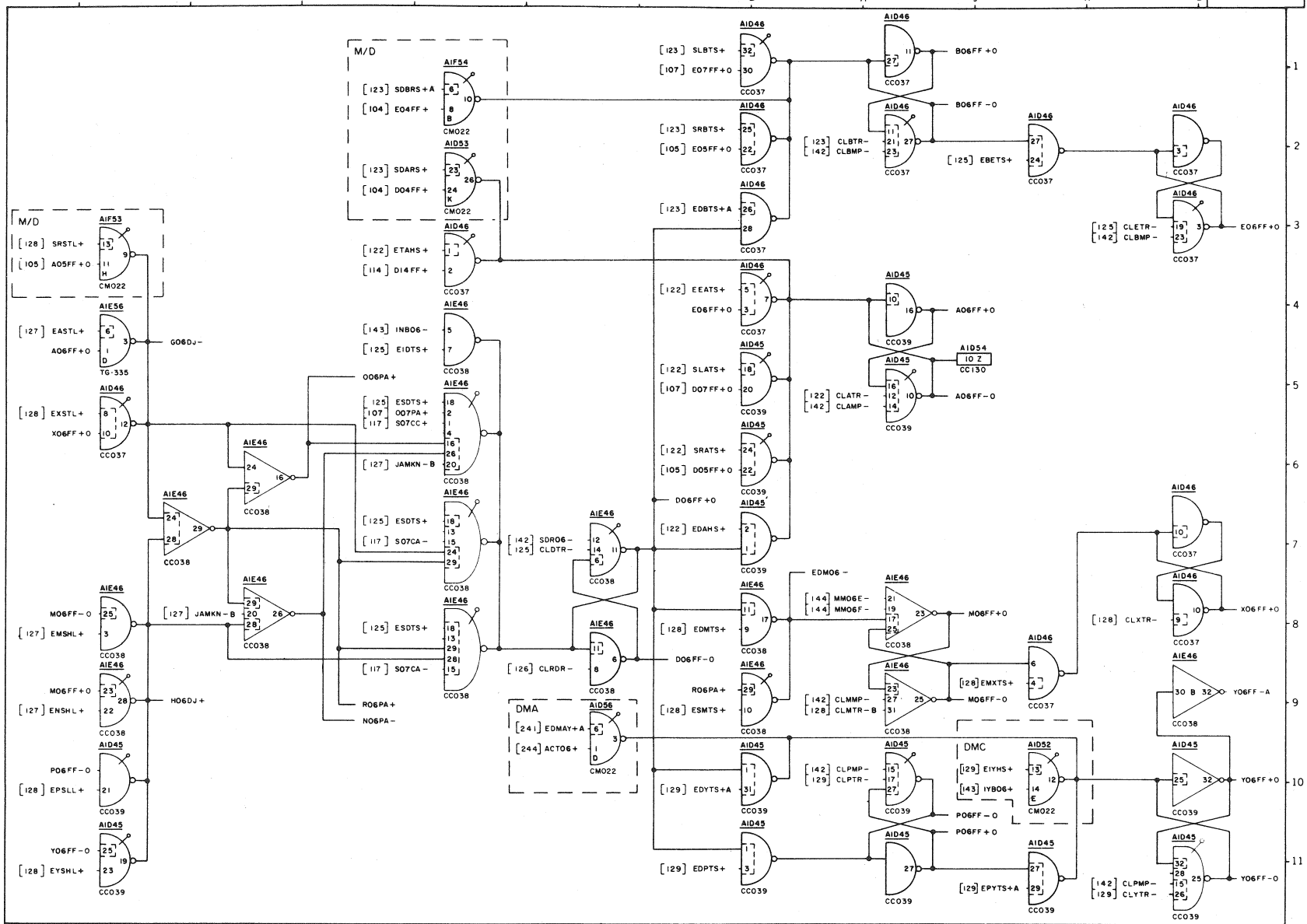
DR. KURTZER DATE 4/68
ENG. H. J. DATE 3-8-66
APP. C. H. DATE 8-18-66

PROJECT NO. 55223


TITLE
DDP-516
COLUMN NO. 5

SIZE DWG. NO. 015730

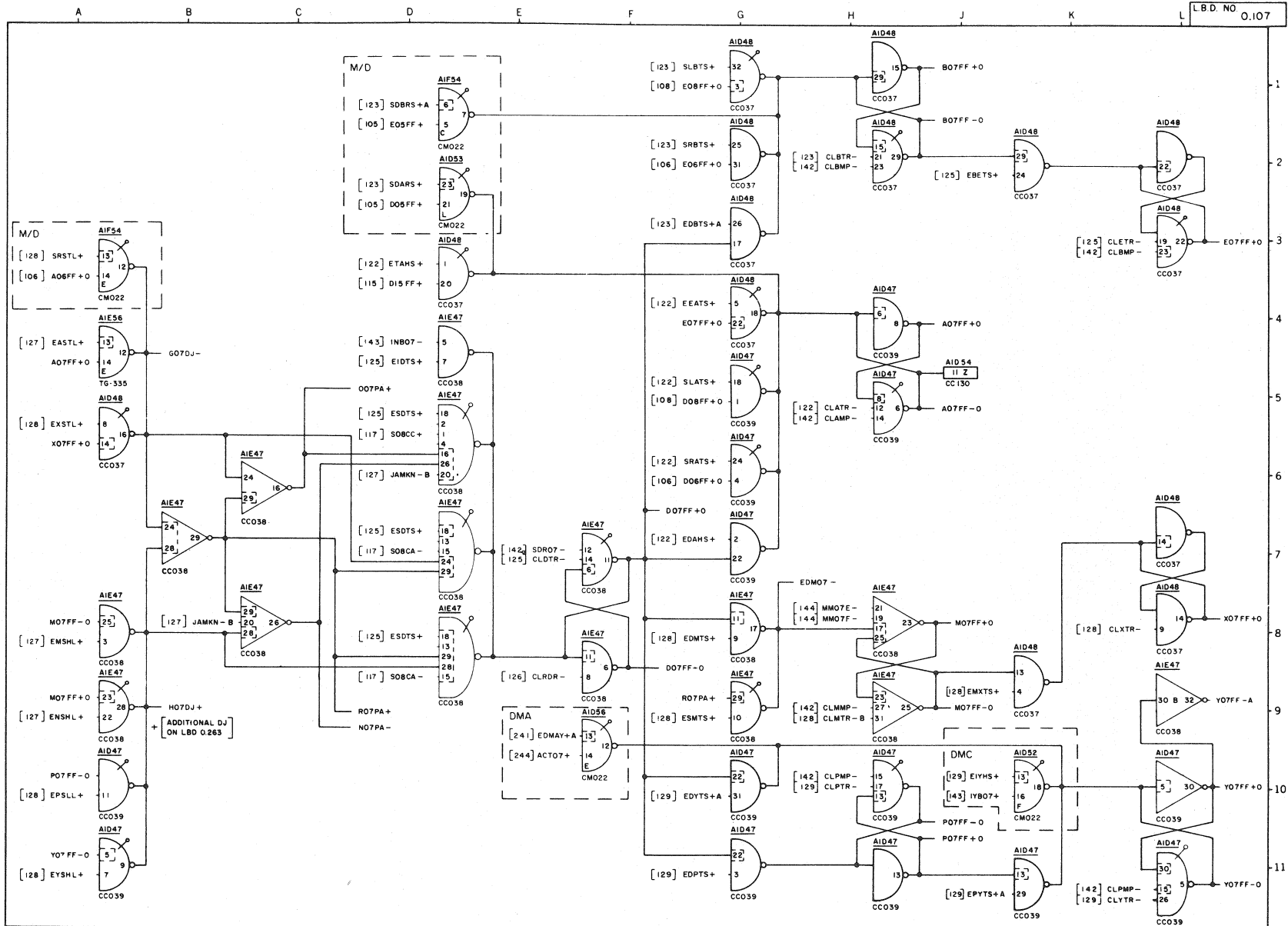
REV. 1



REV	NO	DATE	BY
1	1	8/12/66	A
2	2	8/29/66	B
3	3	8/29/66	C
4	4	8/29/66	D
5	5	8/29/66	E
6	6	8/29/66	F
7	7	8/29/66	G
8	8	8/29/66	H
9	9	8/29/66	I
10	10	8/29/66	J
11	11	8/29/66	K
12	12	8/29/66	L

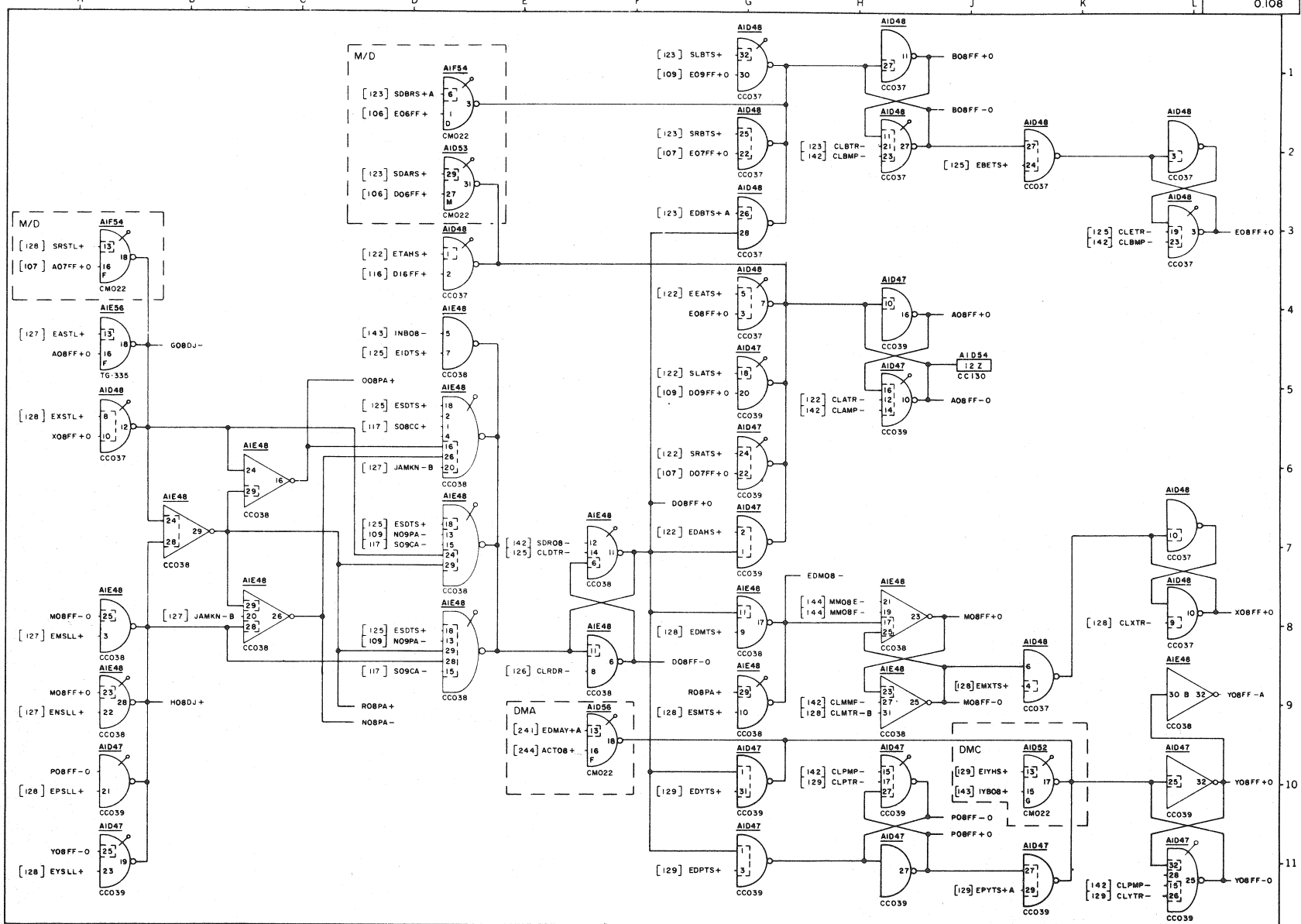

 COMPUTER CONTROL COMPANY, INC.
 FRANKLIN, MASS. 01832
 DR. A. KURTZER DATE 8/29/66
 ENG. [Signature] DATE 8/29/66
 APP. [Signature] DATE 8/29/66
 PROJECT NO. 55223

TITLE
 DDP-516
 COLUMN NO 6
 SIZE DWG NO. 015731
 REV.

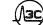


LBD NO 0.107

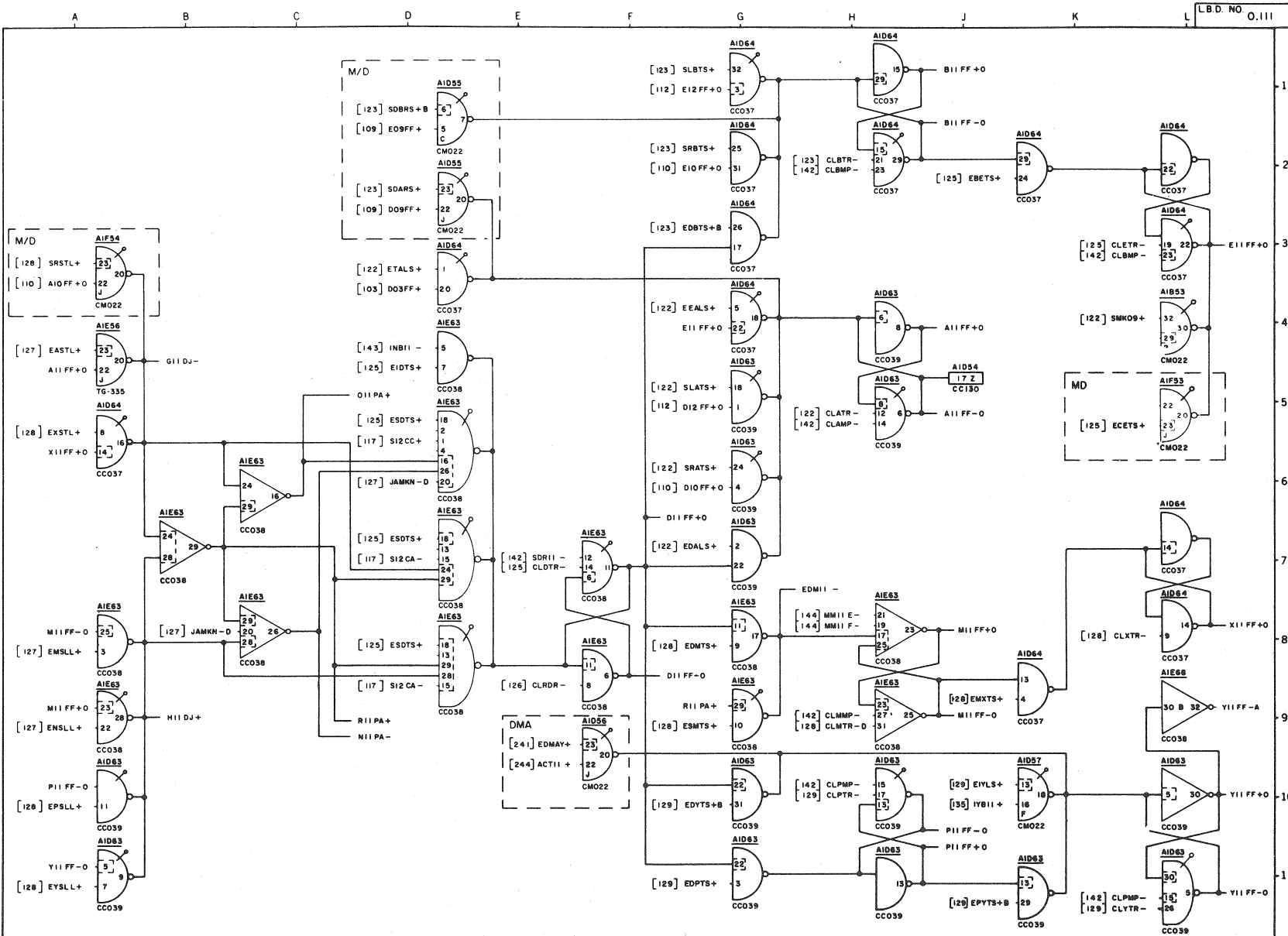
REVISIONS	S. R. 84-1284 A	DATE	8/4/66
EXT CHANGES	ECO 3787 B	DATE	8/8/66
RCL 1/21		PROJECT NO.	55223
COMPUTER CONTROL COMPANY, INC. FRAMINGHAM MASS. LOS ANGELES 64 CALIF.		TITLE	DDP-516 COLUMN NO. 7
DR. A. KURTZER	DATE	8/4/66	SIZE
APP. G. C. HENNING	DATE	8/8/66	DWG NO.
PROJECT NO. 55223		C 015732	



REV.	REVISIONS
1	REVISED TO 84-1284 A
2	ECO 3767 B
3	EXT CHANGES
4	1/23/87 J.P.


 COMPUTER CONTROL COMPANY, INC.
 FRAMINGHAM MASS LOS ANGELES CA CALIF
 DR. KURTZER DATE 6/4/86
 ENG. [Signature] 6-8-86
 APF [Signature] 6-8-86
 PROJECT NO. 55223

TITLE
 DDP-516
 COLUMN NO. 8
 SIZE DWG NO. C 015733
 REV.



L.B.D. NO. 0,111

CH	REVISIONS	L
1	S. R. 64-1864 A	
2	ECO 3767 B	
3	EXT. CHANGES	1/25/67 P. 2
	RCL 1127	

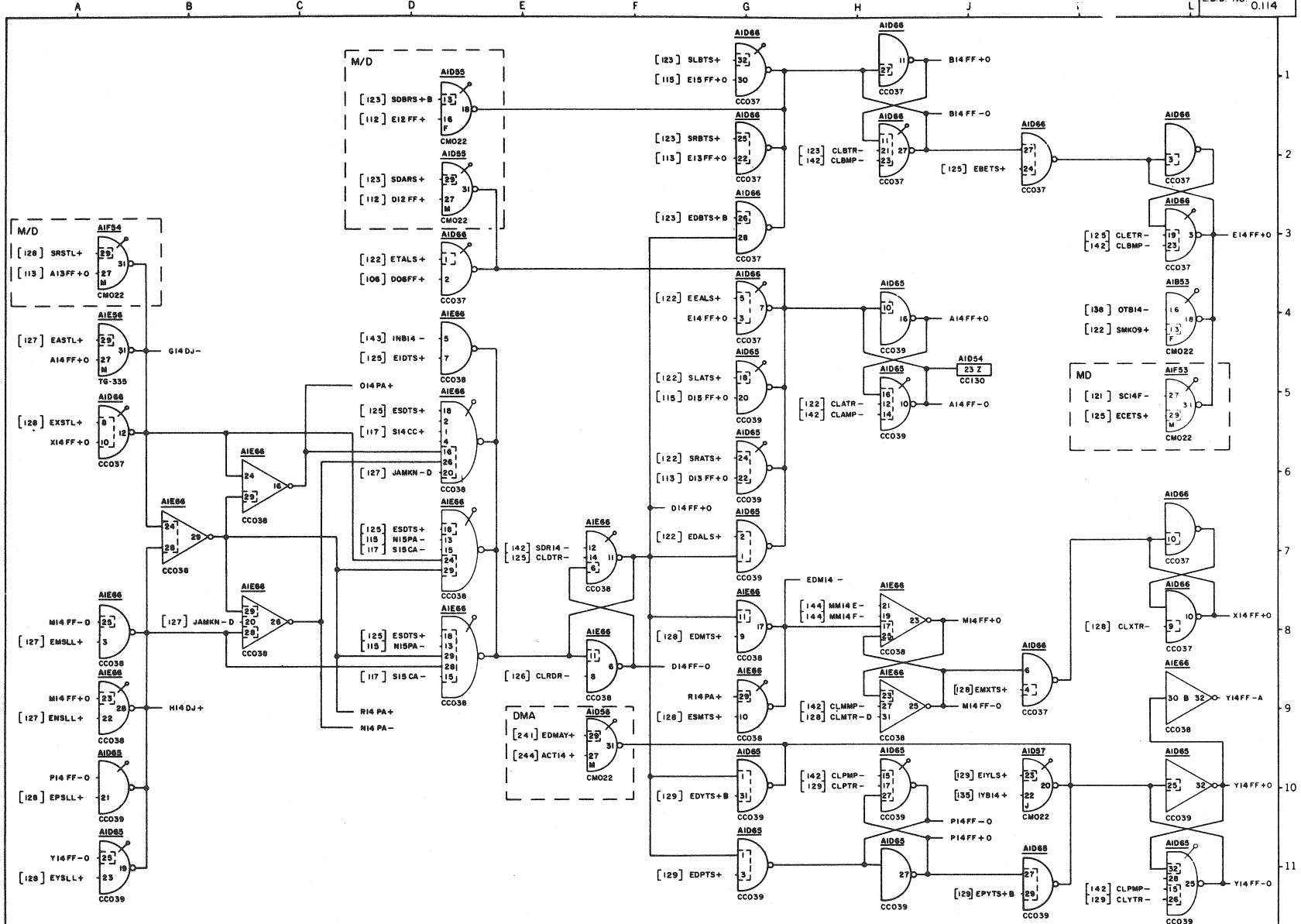
COMPUTER CONTROL COMPANY, INC.
FRAMINGHAM MASS / LOS ANGELES 94 CALIF

DR. A. KURTER
APP. [Signature]
PROJECT NO. 55223

DATE 8/4/66
R/E/T/G

TITLE
DDP-516
COLUMN NO. 11

SIZE DWG NO. 015736
REV C



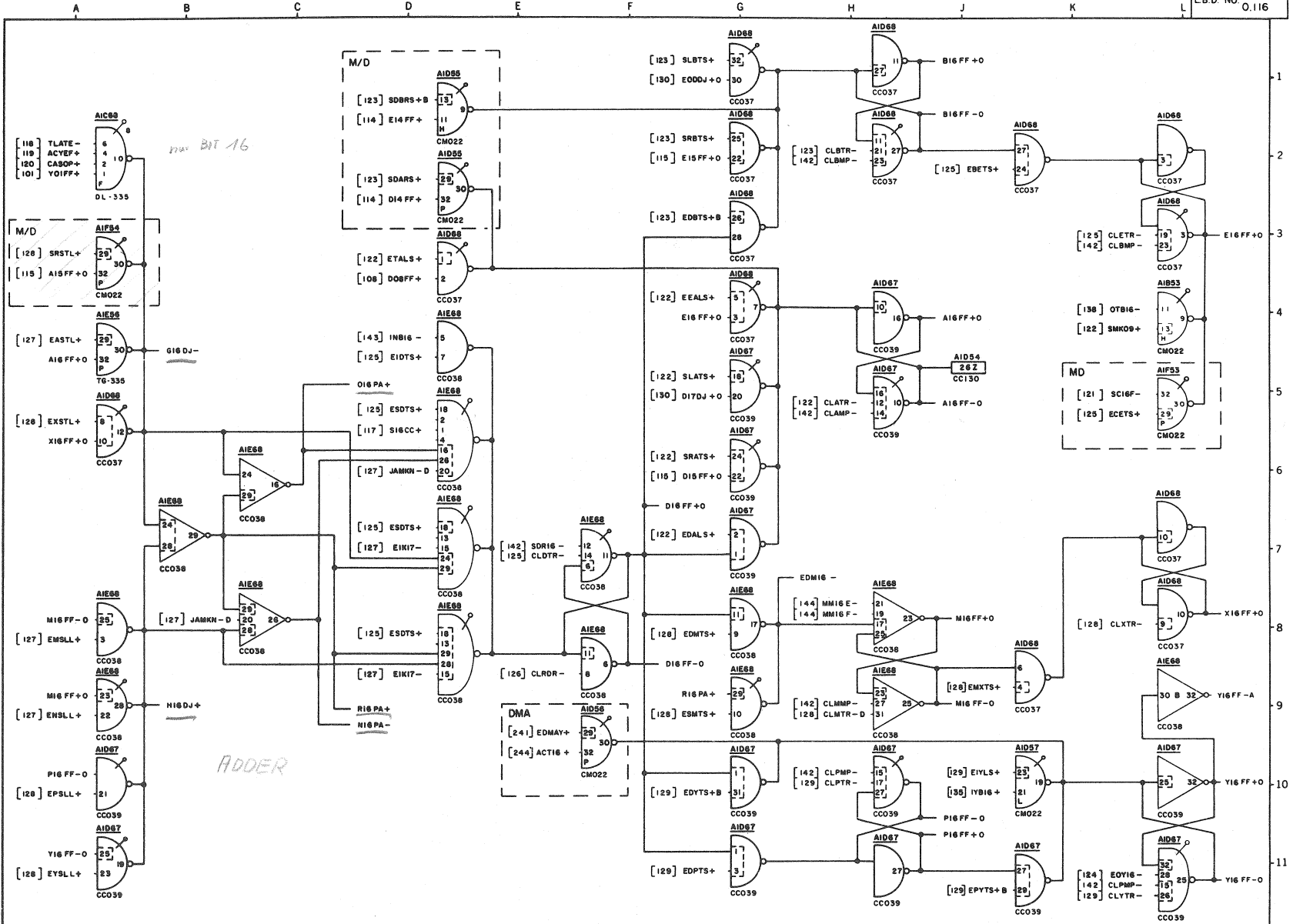
REV.	REVISIONS
1	S.R. 64-1284 A
2	ECO 3787 B
3	EXT CHANGES
4	12/29/77

DR. A. KURTZER DATE 4/80
 ENG. [Signature] DATE 8/78
 APP. [Signature] DATE 8/78
 PROJECT NO. 55223


COMPUTER CONTROL COMPANY, INC.
 FRANKINGHAM MASS LOS ANGELES 64 CALIF

TITLE
 DDP-516
 COLUMN NO. 14

SIZE DWG NO. 015739
 REV. E

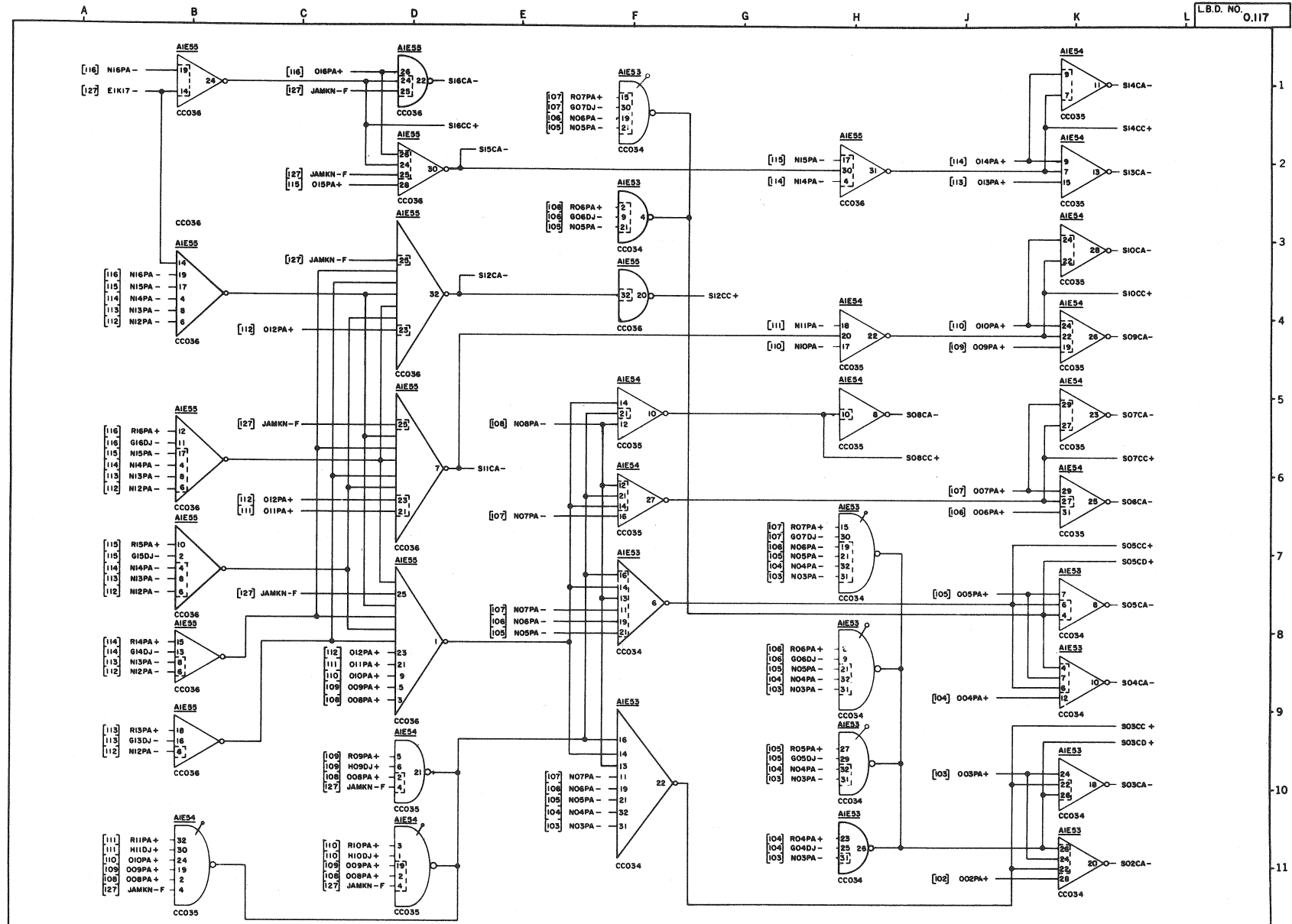


REV.	REVISIONS
1	S.R. 84-1284 A
2	ECO 3787 B
3	EXT CHANGES 1/23/67 E.P.
4	RCL 127



 COMPUTER CONTROL COMPANY, INC.
 FRAMINGHAM MASS LOS ANGELES 64 CALIF
 DR. A. KURTZER DATE 4/68
 ENG. [Signature] 2-9-68
 APPR. [Signature] 2/16
 PROJECT NO. 55223

TITLE
DDP-516
 COLUMN NO. 16

SIZE DWG NO. **015741** REV. **9**

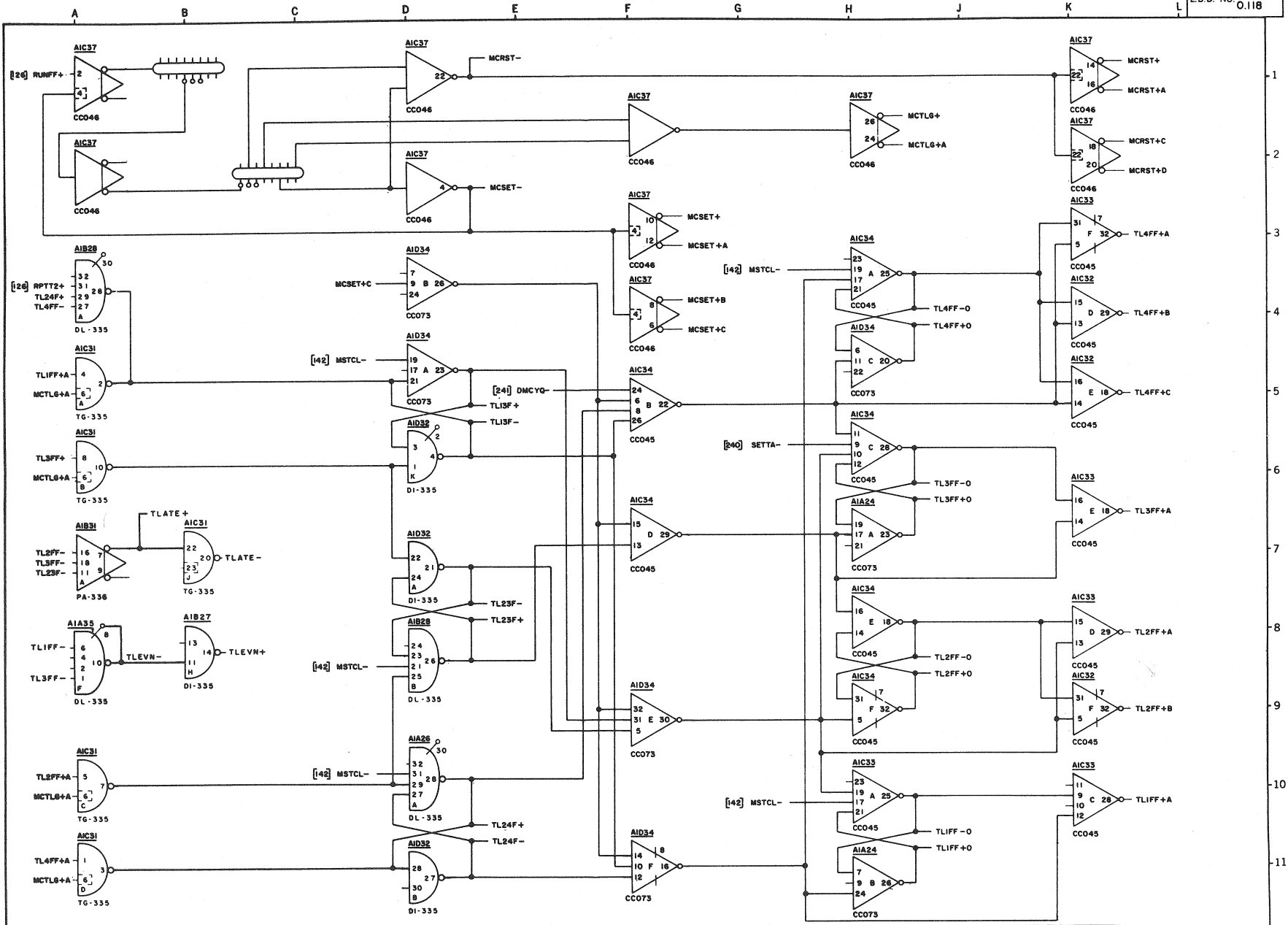


REV	REVISIONS	DATE
1	S.R. 64-1284 A	1/24/64

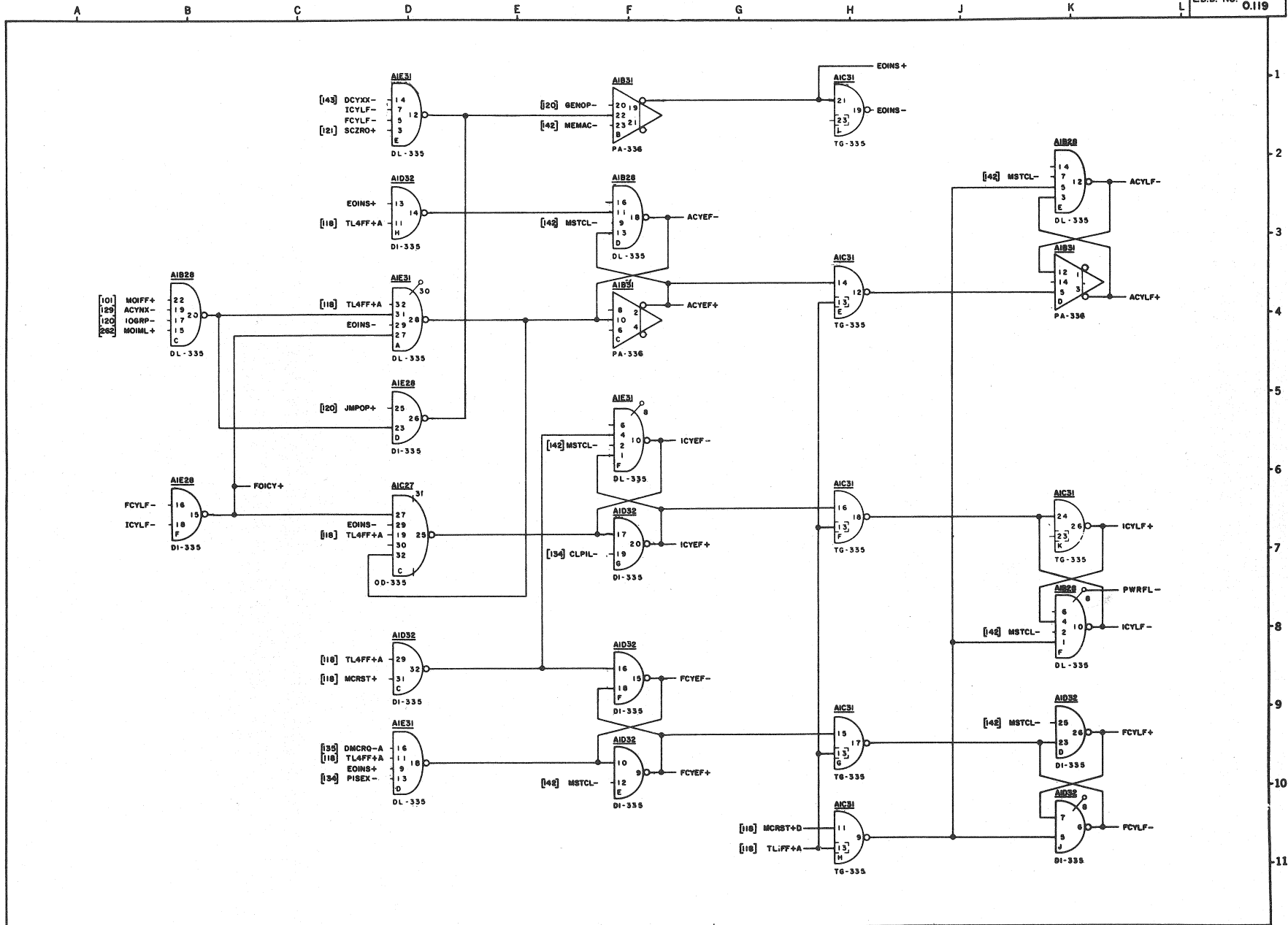


 COMPUTER CONTROL COMPANY, INC.
 FRAMINGHAM MASS • LOS ANGELES 84 CALIF
 DR. A. KURTZER DATE 8/4/60
 ENG. J. M. DUNN 8-9-60
 APP. G. C. WOOD 8/10/60
 PROJECT NO. 59223

TITLE
DDP-516
ADDER CARRY NET
 SIZE DWG. NO. **015742** REV. **A**



REVISIONS S. R. 64-1264 A ECO 4464 B SEE ECO 4464 8/2/87 P/PC	TITLE DDP-516 TLG & CLOCK
	DR. A. KURTZER DATE 8/4/85
	ENG. <i>[Signature]</i> APP. <i>[Signature]</i> PROJECT NO. 55223
	SIZE C DWG NO. 015743 REV. 6

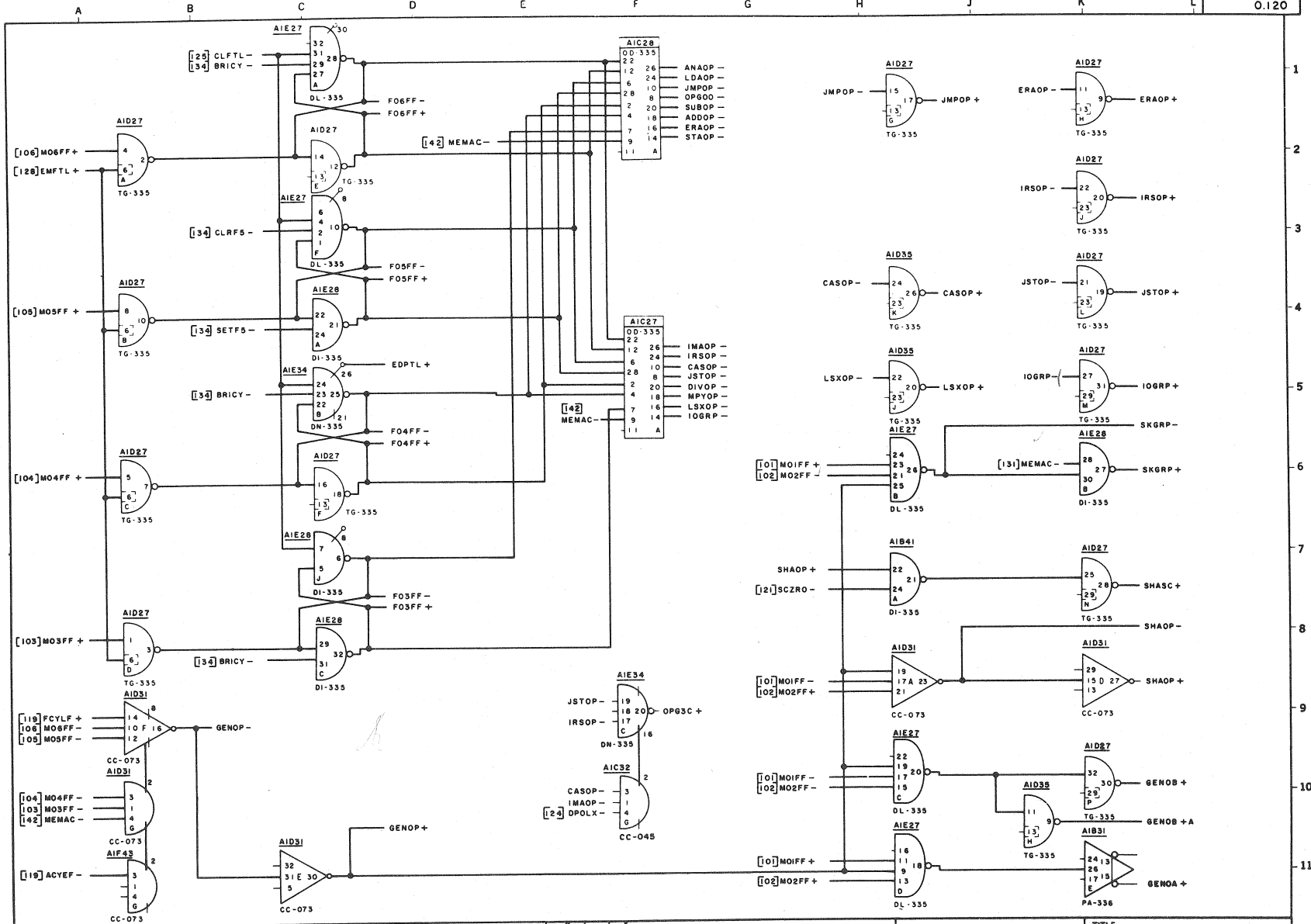


REV	REVISIONS
1	AS BUILT
2	REVISED TO 5/19/68
3	REVISED TO 5/19/68
4	REVISED TO 5/19/68
5	REVISED TO 5/19/68
6	REVISED TO 5/19/68
7	REVISED TO 5/19/68
8	REVISED TO 5/19/68
9	REVISED TO 5/19/68
10	REVISED TO 5/19/68
11	REVISED TO 5/19/68

ECO 5641 C
 EXT CHANGES A-X
 SEE ECO 3/19/68

COMPUTER CONTROL COMPANY, INC.
 FRAMINGHAM, MASS. / LOS ANGELES 04, CALIF.
 DR. A. KURTZER
 DATE 5/19/68
 PROJECT NO. 58223

TITLE
 DDP-516
 PHASE REGISTER
 SIZE DWG NO. 015744
 REV C



CHK	REVISIONS	REV	B
	ECO 3704		
	REDRAWN		

HONEYWELL
 I N C.
 COMPUTER CONTROL DIVISION
 Old Connecticut Path, Framingham, Mass.

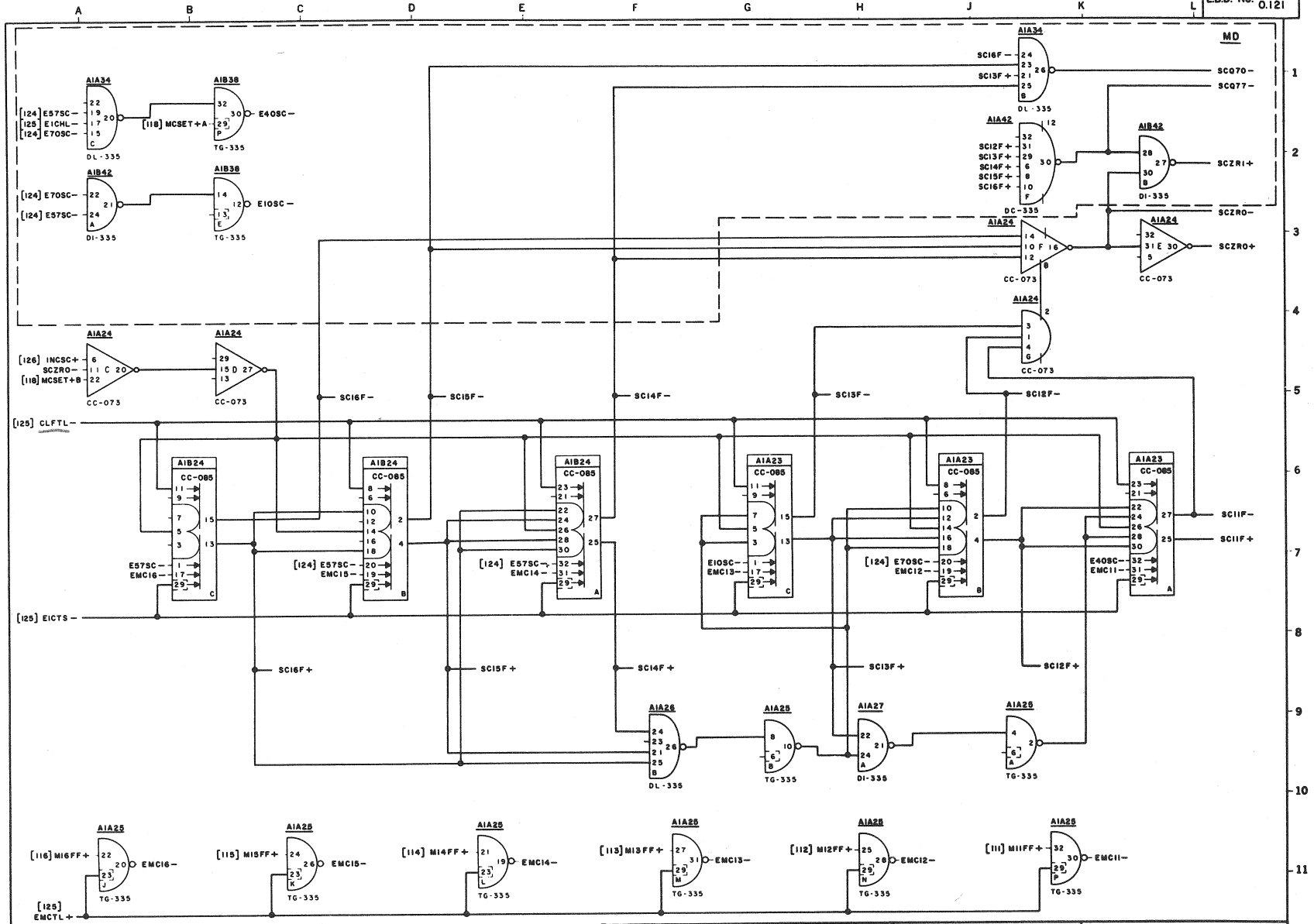
DR. P. J. ... DATE 8/1/66
 ENG. J. ... 8/2/66
 APP. G. ... 8/3/66

PROJECT NO. 55223

TITLE
 DDP-516
 F REGISTER AND OP DECODE

DATE 8/1/66

SIZE DWG NO. REV
 C 015745 B 21



REV.	REVISIONS
B	ECO 3704
A	REDRAWN A.K.

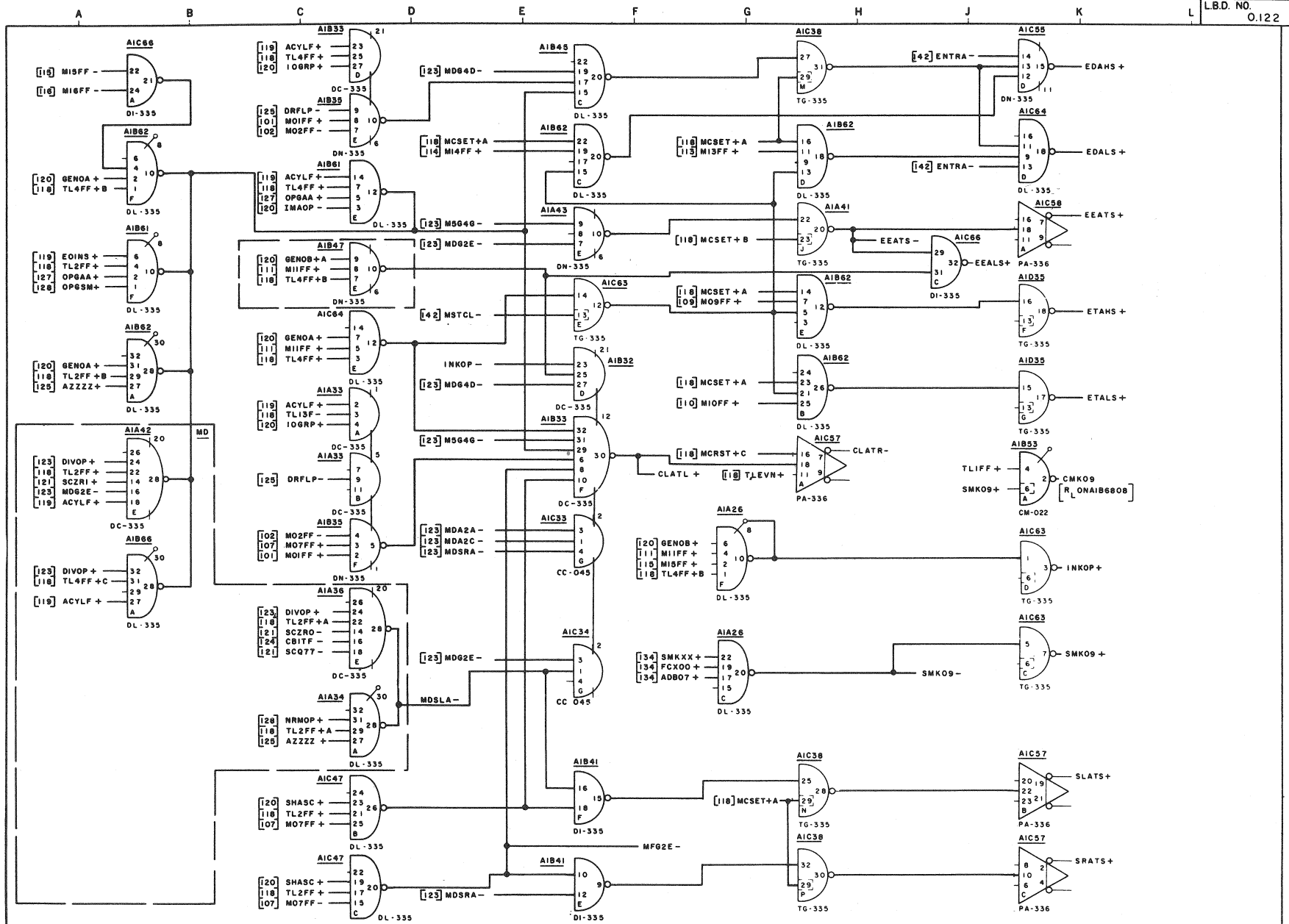
HONEYWELL
 IN C.
 COMPUTER CONTROL DIVISION
 Old Connecticut Path, Framingham, Mass.

DR. G. X. [Signature] DATE 8/16/61
 ENG. J. DeSantis 8/18/61
 APP. G. C. MENDRE 8/16/61

PROJECT NO. 88223

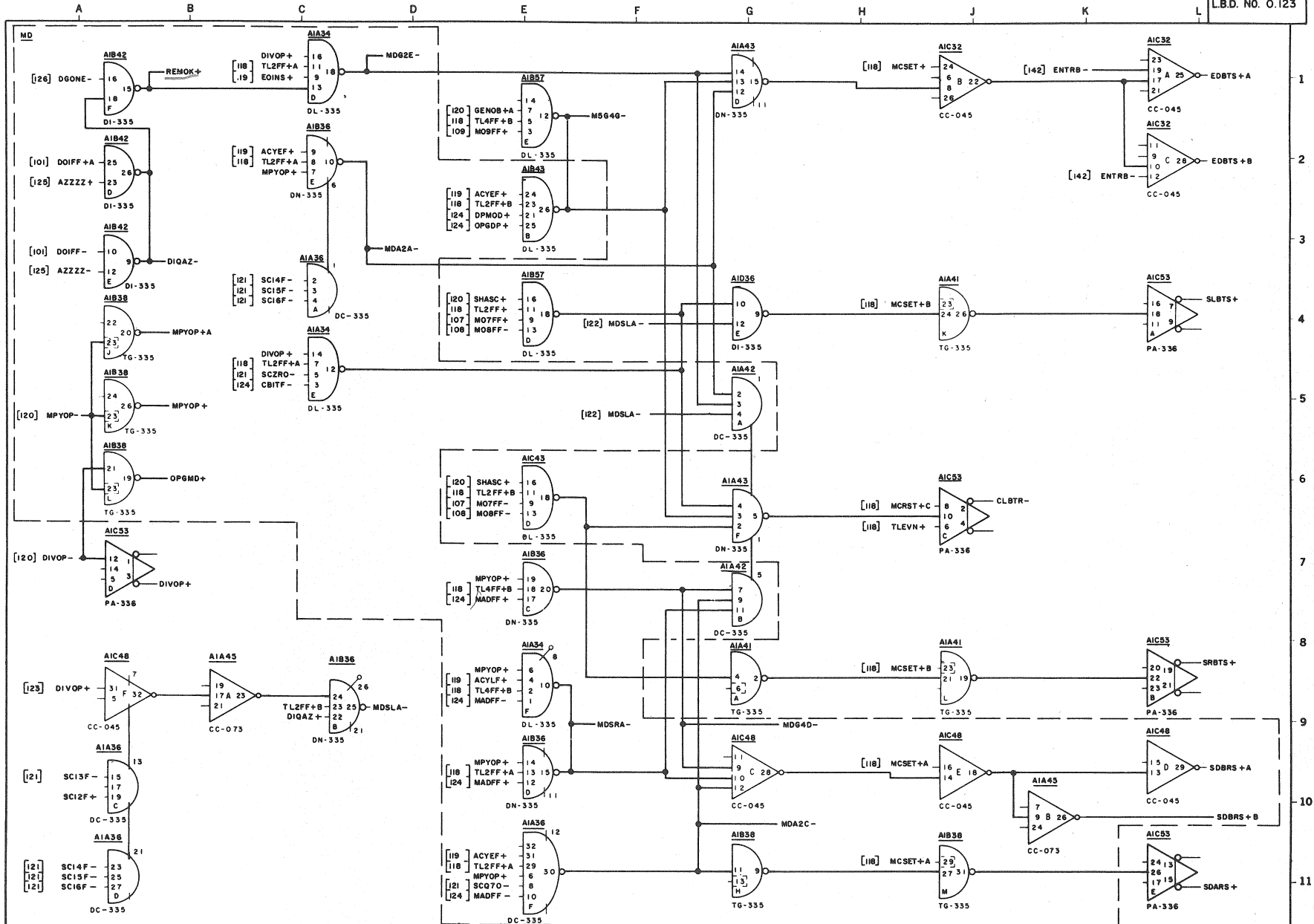
TITLE
DDP-516
SHIFT COUNTER

SIZE DWG. NO. **015746** REV. **B**



CHK	REVISIONS	REV.	BY	DATE
	ECO 3704	B		
	RELEANN A.K.			
	ECO 4484	C		
	EXT CHANGES			
	SEE ECO			
	8/2/67			
	ECO 4763	D		
	EXT CHG. SEE ECO			
	4-15-68			

HONEYWELL I M C.		TITLE	
COMPUTER CONTROL DIVISION Old Connecticut Path, Framingham, Mass.		DDP-516 CONTROL LOGIC A	
DR. <i>C. H. ...</i>	DATE <i>7/1/67</i>	SIZE	DWG. NO.
ENG. <i>J. E. ...</i>	<i>8/1/67</i>	C	015747
APP. <i>G. C. ...</i>	<i>P. J. C.</i>		REV. D
PROJECT NO. 55223			



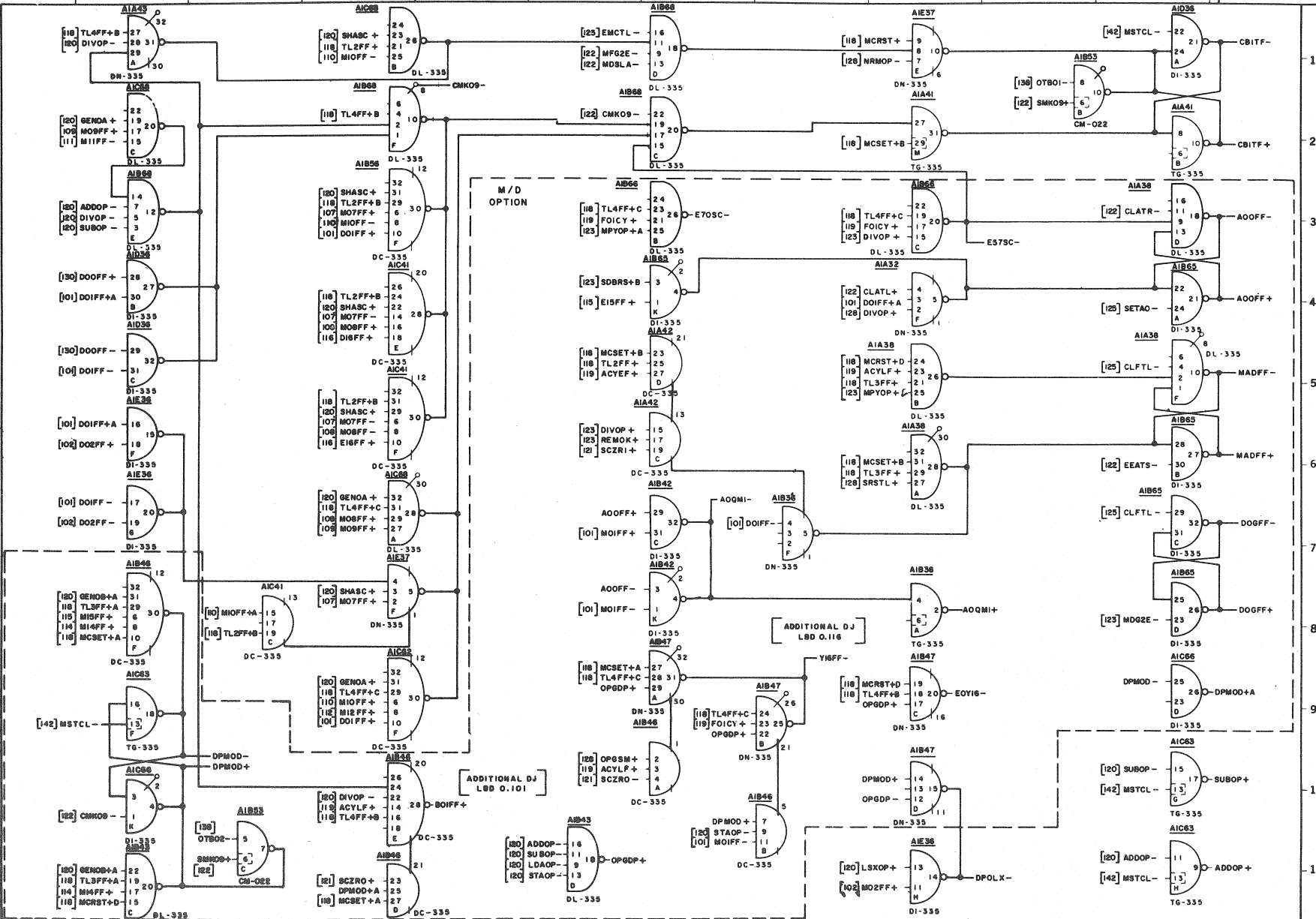
REV	DESCRIPTION
A	ECO 3704
B	ECO 4464
C	ECO 4464
D	ECO 4464
E	ECO 4464
F	ECO 4464
G	ECO 4464
H	ECO 4464
I	ECO 4464
J	ECO 4464
K	ECO 4464
L	ECO 4464

REVISIONS
 CHK: [Signature]
 REDRAWN: [Signature]
 EXT. CHANGES
 SEE ECO 4464
 07/29/77

HONEYWELL
 INC.
 COMPUTER CONTROL DIVISION
 Old Connecticut Path, Framingham, Mass.

DR. A. [Signature] DATE 9/1/77
 ENG. DESANDIS 8/28/77
 APP. G. HEMPHRE 8/28/77
 PROJECT NO. 55223

TITLE	SIZE	DWG NO.	REV.
DDP - 516 CONTROL LOGIC B	C	015748	C



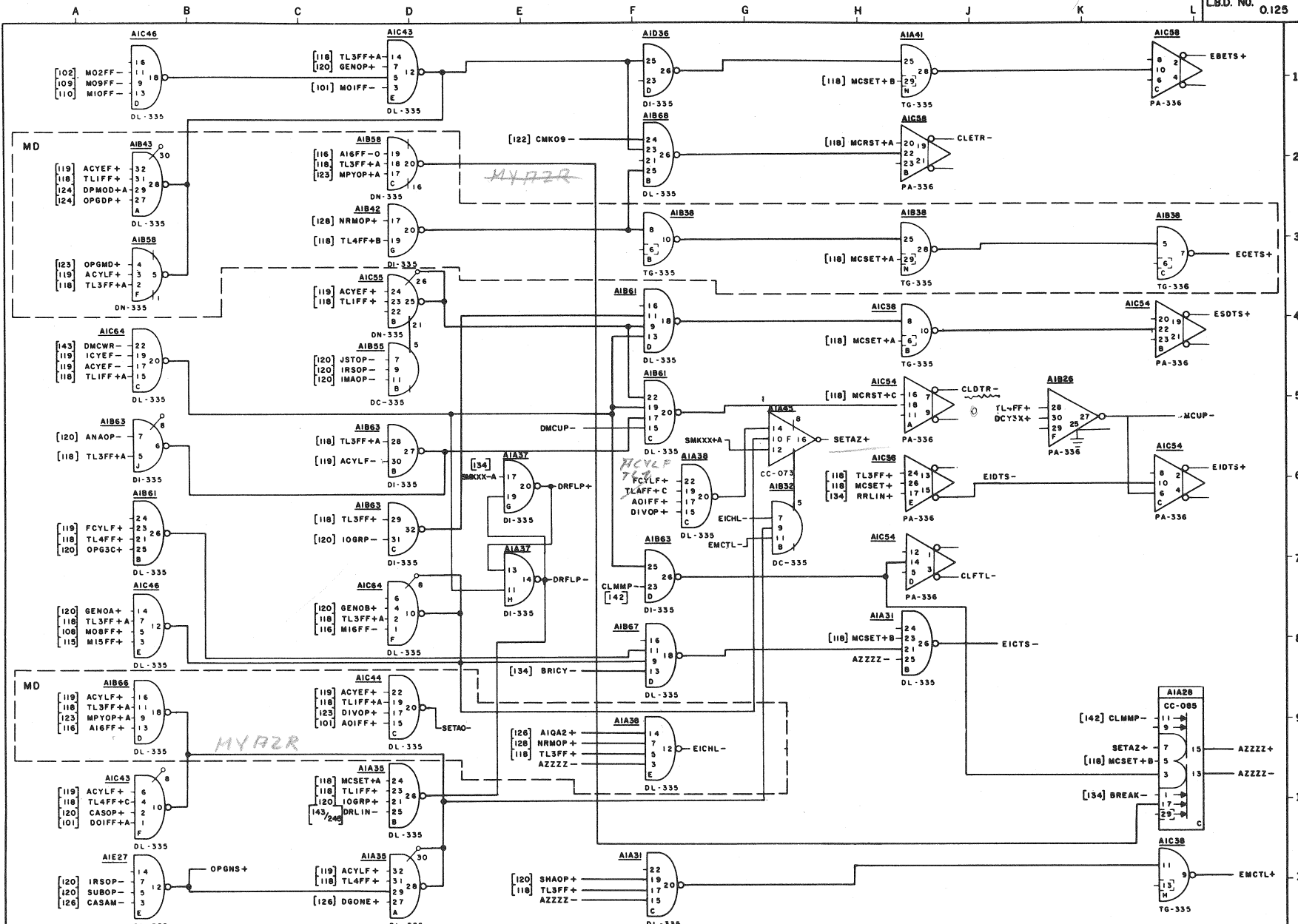
CHL	REV	REV	REV	REV	REV	REV	REV
ECO 3704	8	ECO 4866	9	ECO 5906	10	ECO 6708	11
EXT. CHANGES SEE ECO 9/14/68							

HONEYWELL
 I N C.
 COMPUTER CONTROL DIVISION
 Old Connecticut Path, Framingham, Mass.

DR. *a. [Signature]* DATE 8/8/68
 ENG. J. DE SANTIS
 APP. G.C. HEMDRUE 8/8/68

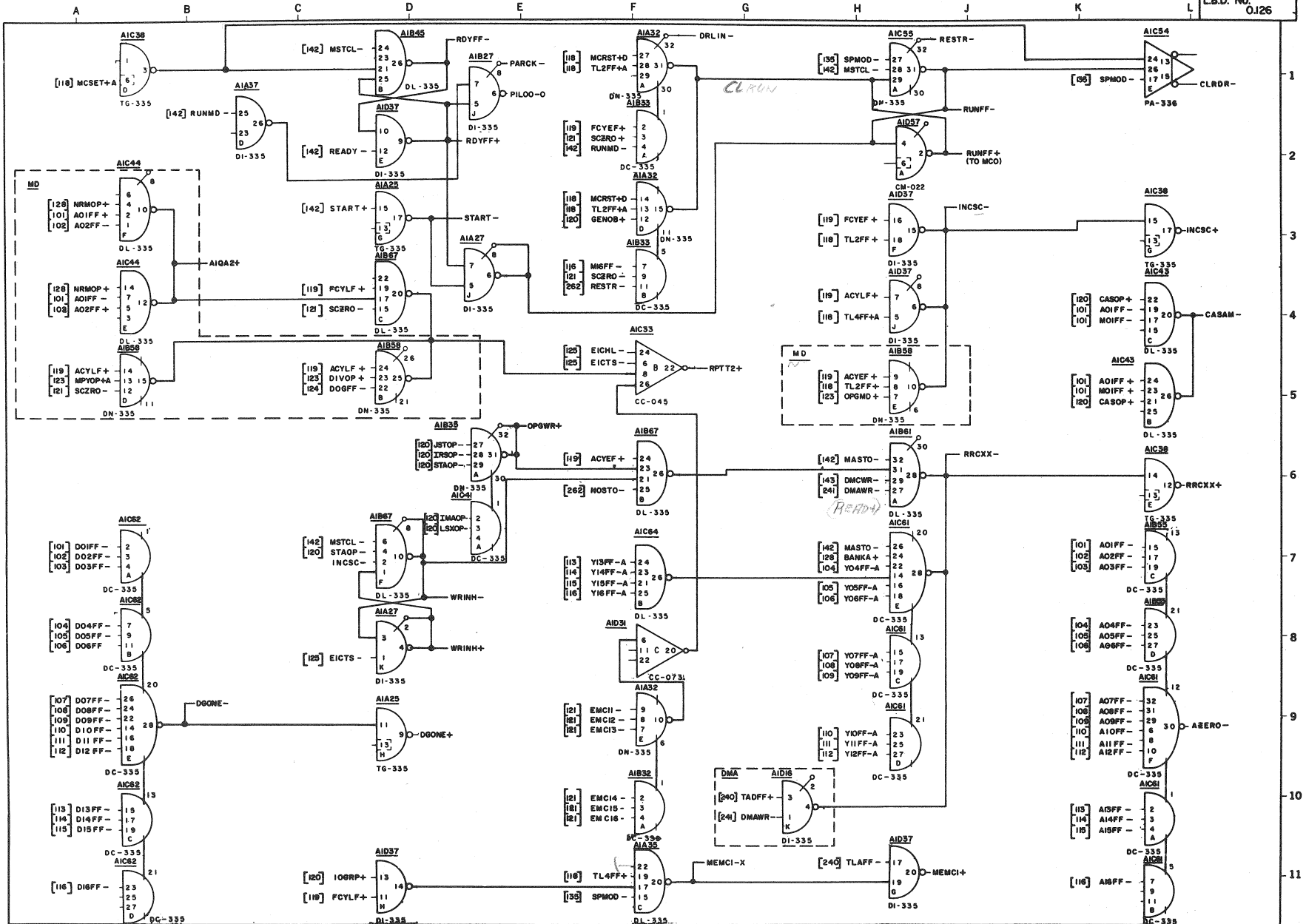
PROJECT NO. 59223

TITLE		CONTROL LOGIC C	
		DDP-516	
SIZE	DWG. NO.	REV.	
C	015749	D	



CHK	REVISIONS	REV.	DATE
K	ECO 3704	B	
	REDRAWN A.K.		
	ECO 3787	C	
	EXT CHANGES		
	ECO 4464	D	
	ECO 4464		
	EXT CHANGES		
	SEE ECO 47207		
	ECO 5906	E	
	EXT. CHANGES		
	SEE ECO 61468		

HONEYWELL INC.		TITLE
COMPUTER CONTROL DIVISION Old Connecticut Path, Framingham, Mass.		DDP-516 CONTROL LOGIC DE
DR. A. KURTZER	DATE 8/10/66	SIZE C
ENG. J. DESANTIS	DATE 8/10/66	DWG NO. 015750
APP. G.C. MENDRIS	DATE 8/10/66	REV. E
PROJECT NO. 55223		



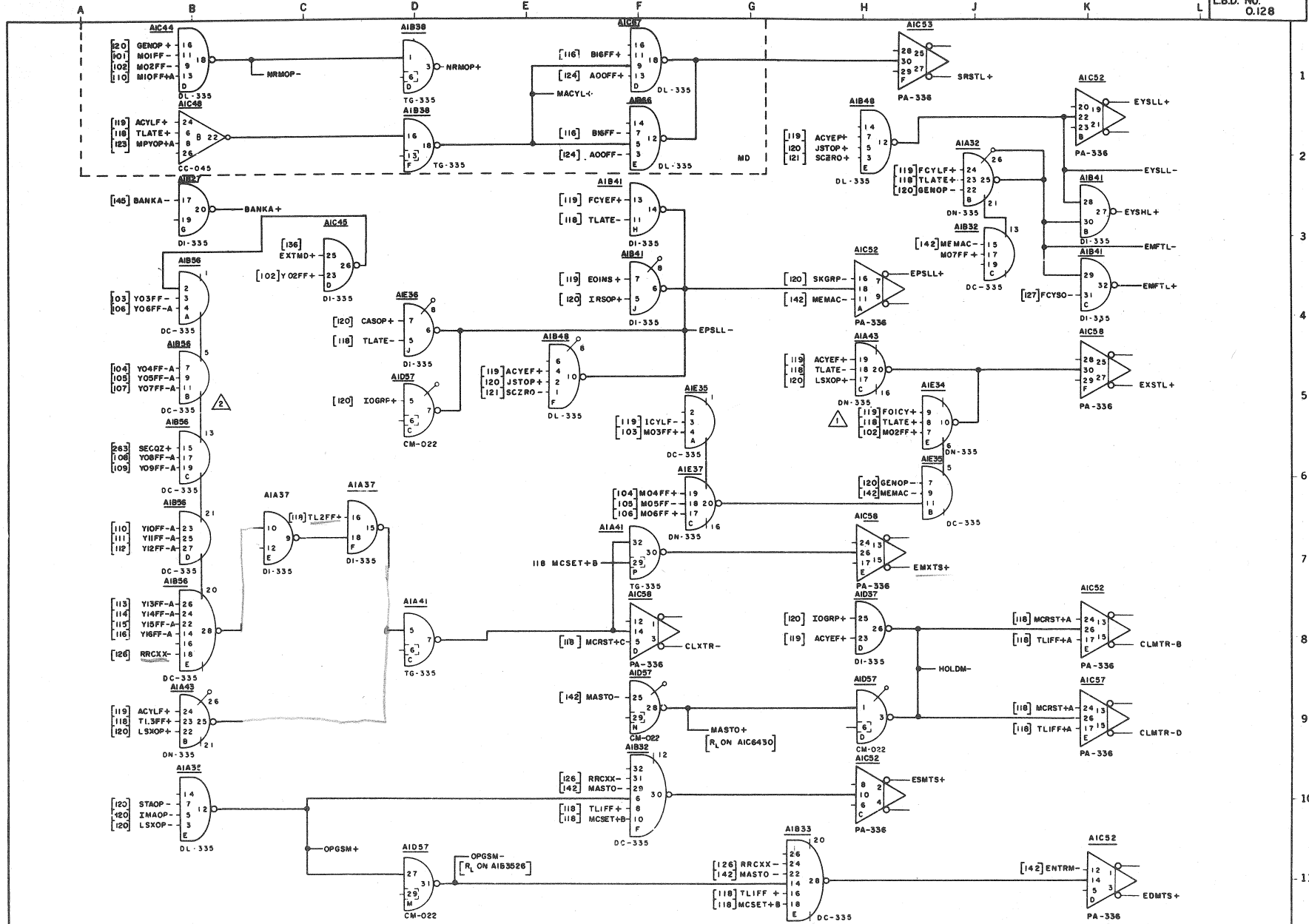
REV.	CHK.	REVISIONS
1		ECO 9154
2		EXTINGUISHING BEC
3		10/23/68 P. B.

HONEYWELL
I N C.
COMPUTER CONTROL DIVISION
Old Connecticut Path, Framingham, Mass.

DR. A. KURTZER DATE 8/1/68
ENG. J. DESANTIS 8/8/68
APP. G. C. WENDRICH 8/8/68
PROJECT NO. 55225

TITLE
DDP-516
CONTROL LOGIC H

SIZE DWG NO. 015751
REV. H



1 REPLACE MO2FF+ WITH MO2DJ+ WHEN EXTENDED ADDRESSING IS INSTALLED.
 2 DISCONNECT THIS WIRE IF THE MEMORY LOCKOUT OPTION (516-08) IS INSTALLED.

CHK	REVISIONS	REV	BY	DATE
	ECO 3704	B		
	ECO 4131	C		
	ECO 4131	D		
	ECO 4763	D		
	ECO 4763	LS		

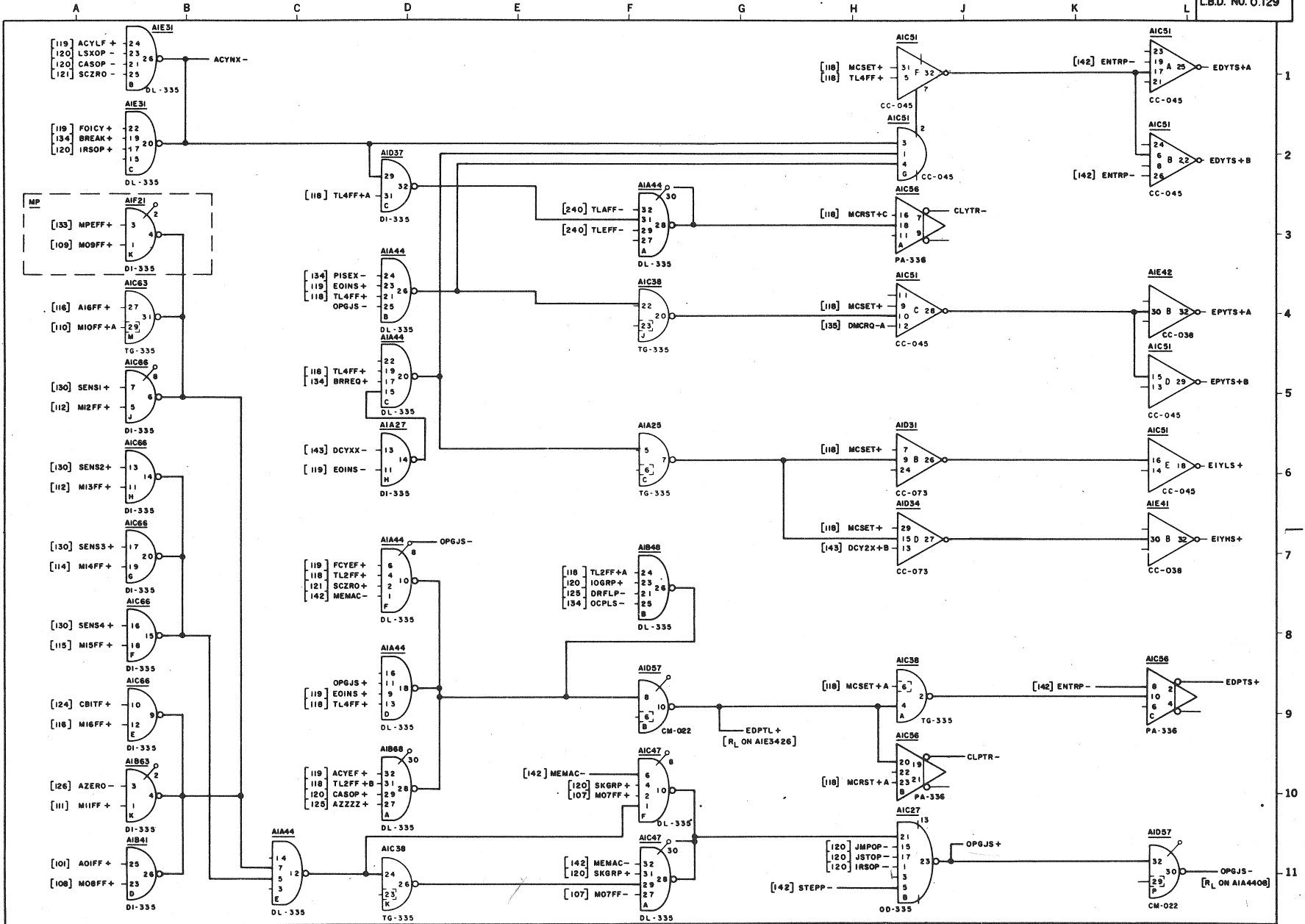
HONEYWELL
I N C.
COMPUTER CONTROL DIVISION
Old Connecticut Path, Framingham, Mass.

DR. F. M. [Signature] DATE 8/0/66
 ENG. J. DE SANTIS 8/0/66
 APP. G. E. HENDRICK 8/0/66

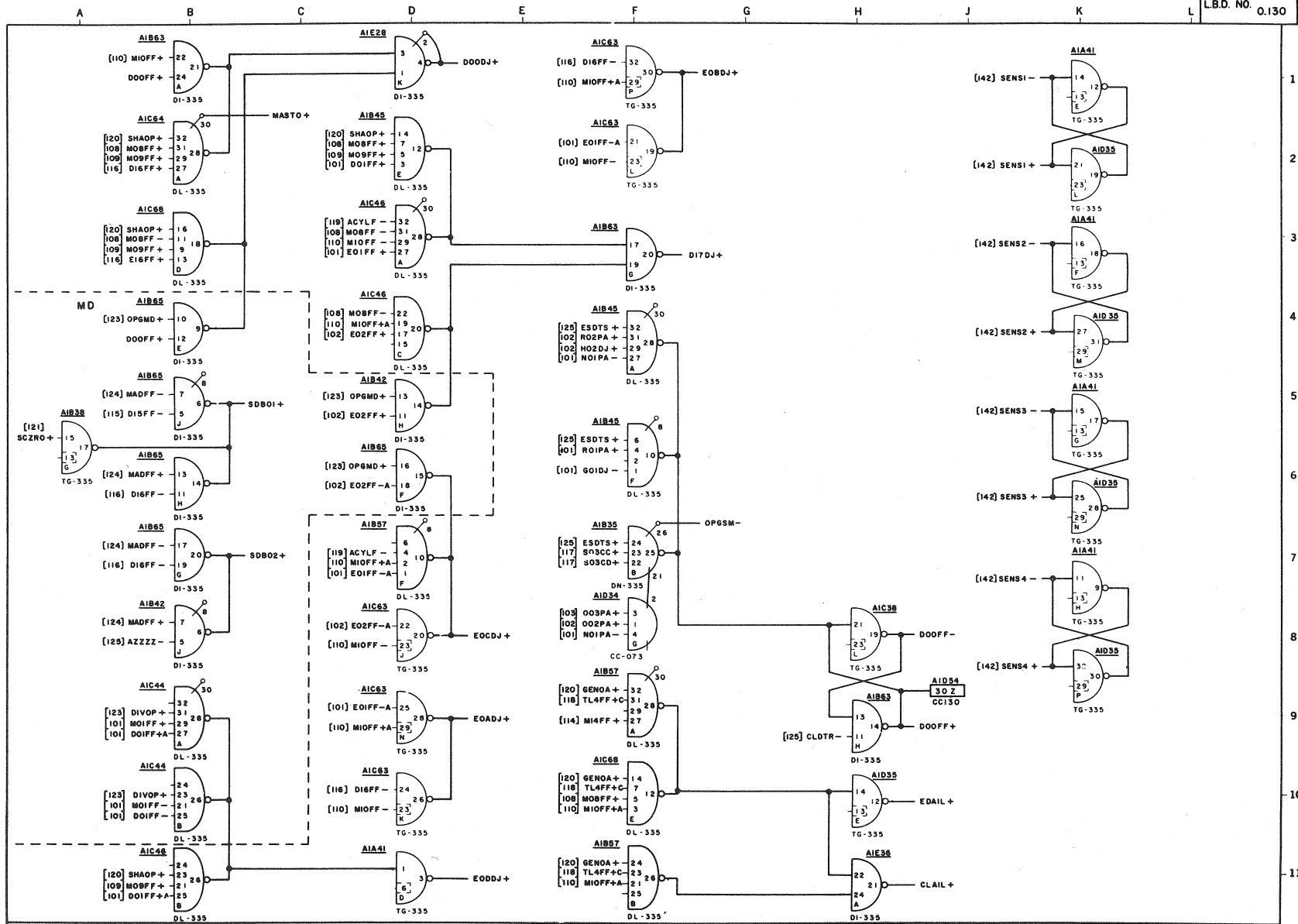
PROJECT NO. 55223

TITLE
DDP-516
CONTROL LOGIC MX

SIZE C DWG NO. 015753 REV. D



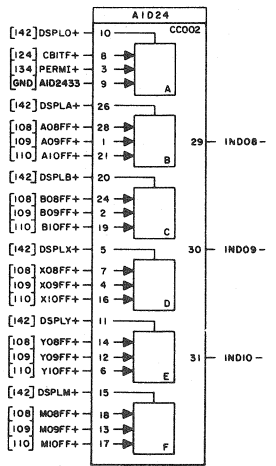
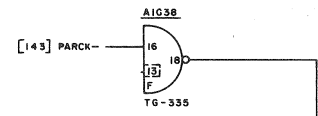
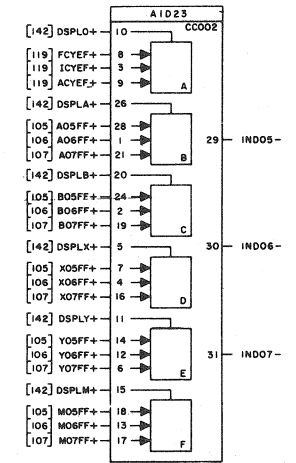
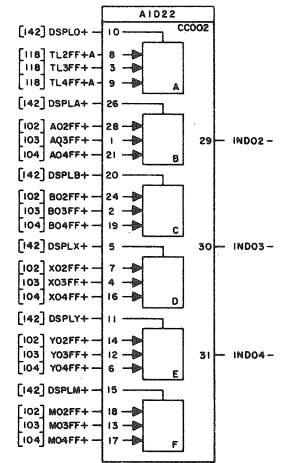
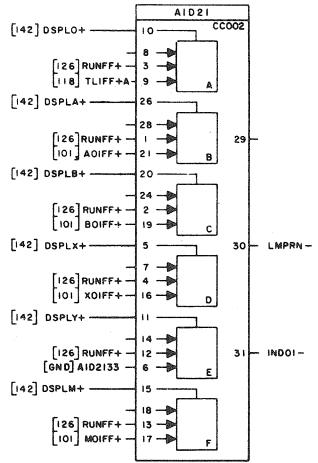
CHK. REVISIONS ECO 3704 B REDRAWN R.K. DATE 8/27/67 EXT. CHANGES SEE ECO 4464 C DATE 8/14/68 EXT. CHANGES SEE ECO 8906 D DATE 8/14/68 EXT. CHANGES SEE ECO 8/14/68		HONEYWELL I M C. COMPUTER CONTROL DIVISION Old Connecticut Path, Framingham, Mass.		TITLE DDP-516 CONTROL LOGIC PY	
DR. A. KURTZER ENG. J. DESANTIS APP. G. C. HENDRIS PROJECT NO. 55223	DATE 8/4/68 8/8/68 8/8/68	SIZE C	DWG NO. 015754	REV. D	



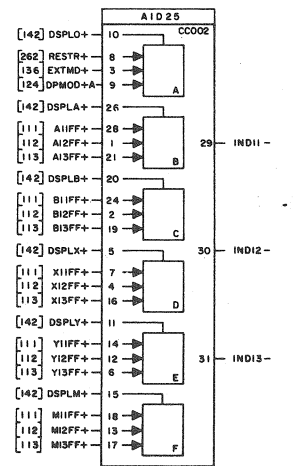
CHK	REVISIONS	REV.	ECO 3704	B
	REDRAWN	D.N.		
	ECO 3704	C		
	EXT CHANGES	VZ387, F.P.		

HONEYWELL I N C.		TITLE	
COMPUTER CONTROL DIVISION Old Connecticut Path, Framingham, Mass.		DDP-516 SHIFT END EFFECTS	
DR. <i>P. Mc...</i>	DATE <i>1/16/68</i>	SIZE	DWG NO.
ENG. <i>J. DE...</i>	<i>1/16/68</i>	C	015755
APP. <i>G. C. HENDRICK</i>	<i>1/16/68</i>	REV.	C
PROJECT NO. 55223			

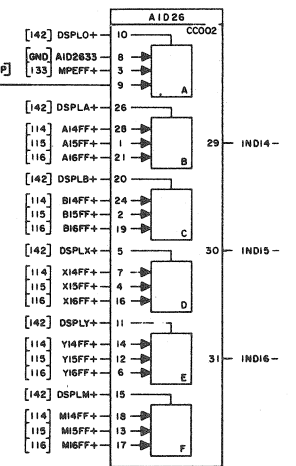
A B C D E F G H J K L



[GND IF NO ML]
[GND IF NO EA]



[GND IF NO MF]

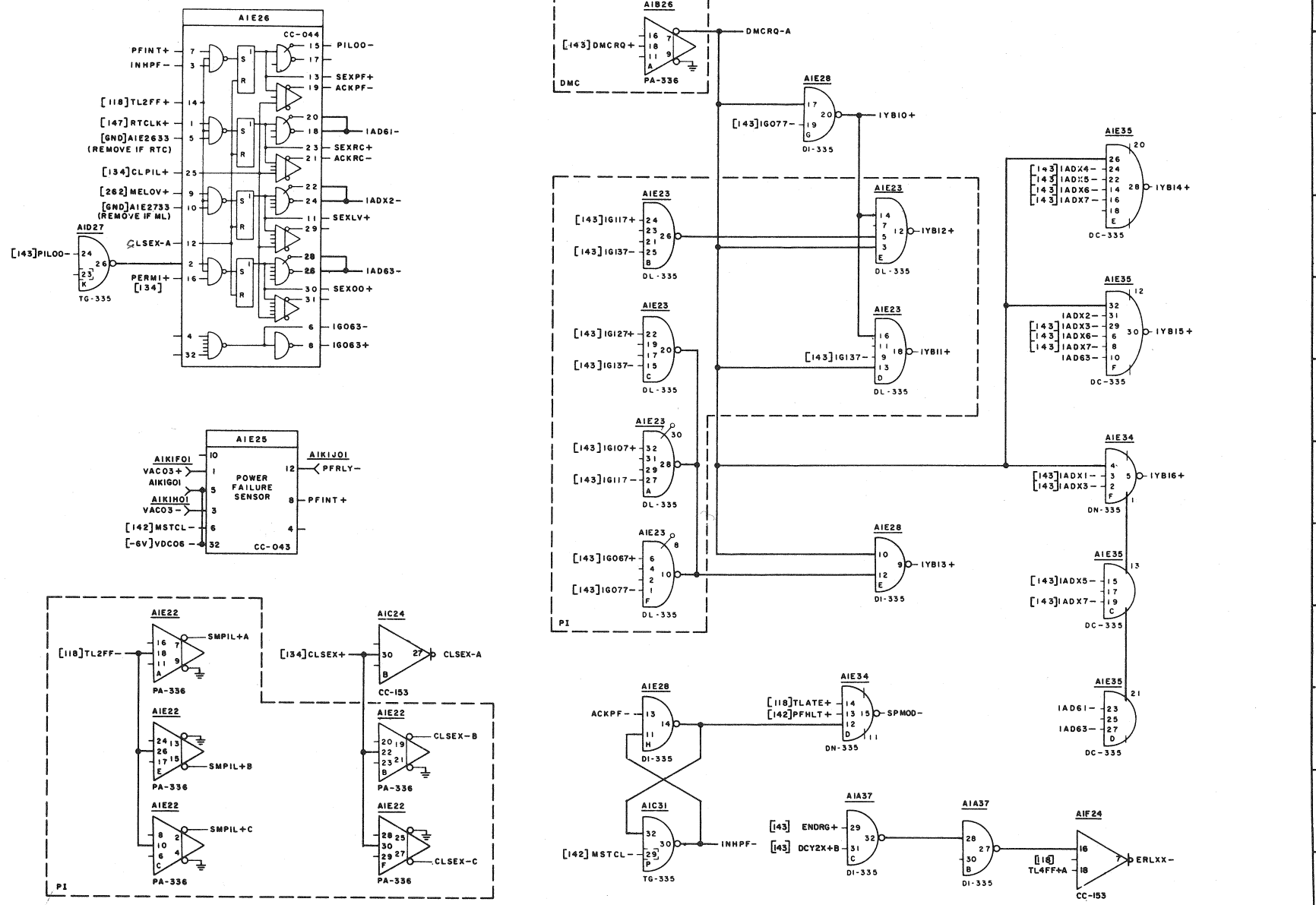


REVISIONS	E
DATE	8-1-66
BY	A
ECO 3787	B
EXT. CHANGES	1/23/67 F.D.

COMPUTER CONTROL COMPANY, INC.	FRAMINGHAM MASS	LOS ANGELES 64 CALIF.
DR. A. KURTZER	DATE 8/4/66	
ENG. J. J. ...		
APP. G. ...		
PROJECT NO.	59223	

TITLE	DDP-516	CONSOLE LAMP DRIVERS
SIZE	C	DWG NO. 015756
REV		

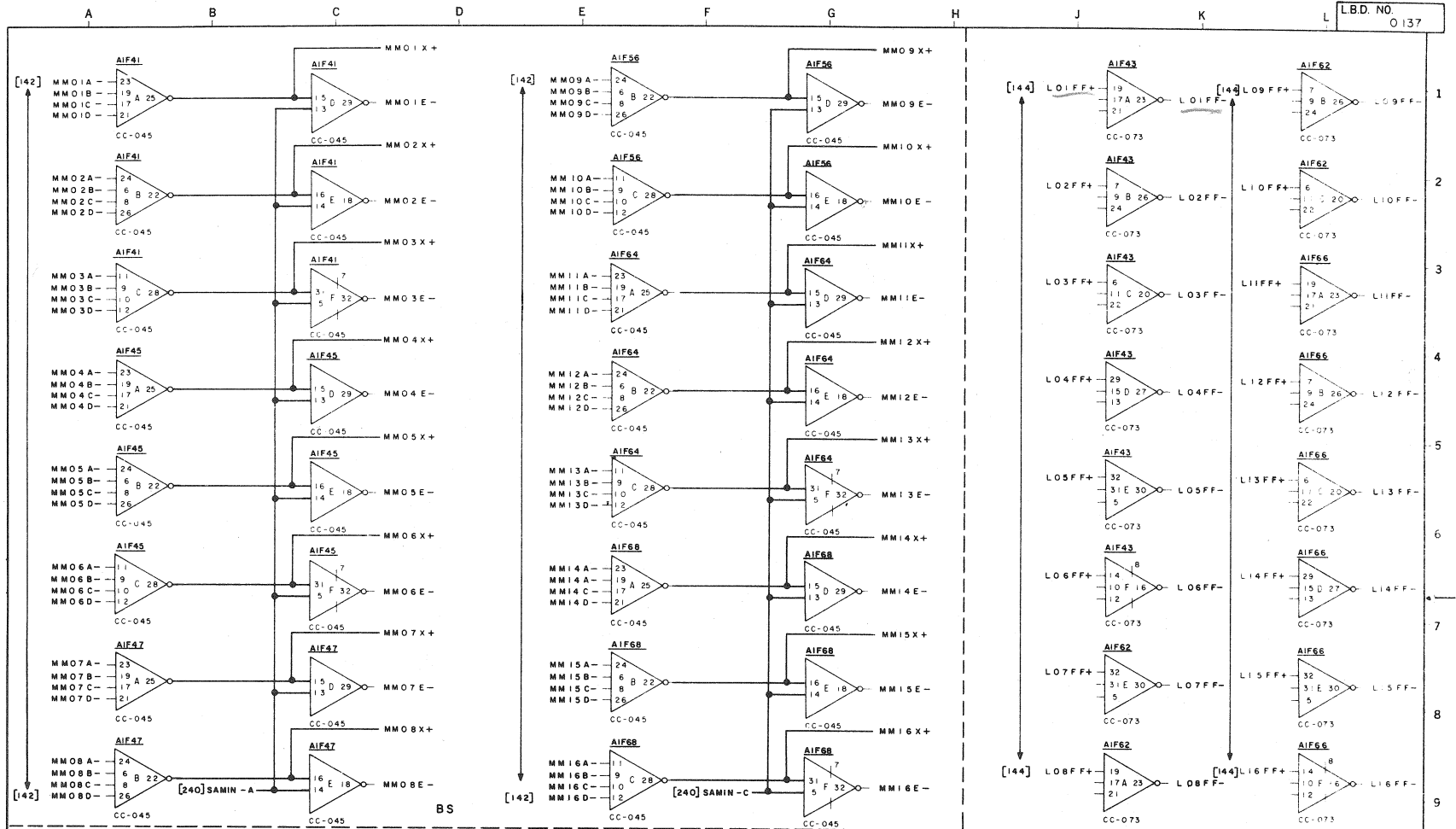
PRIORITY PAC



REVISIONS	A	ECO 3757
EXT CHANGES	B	ECO 3757
DATE	8/1/77	
BY	RCL	
APPROVED	WEL	
MINOR CHG	WEL	

DR. A. HURTZER	DATE 8/4/86
APP. G. C. HAWKINS	8/7/86
PROJECT NO. 55223	

TITLE	DDP-516
INTERRUPT ADDRESS	
ENCODING	
SIZE	C
DWG NO.	015758
REV	C

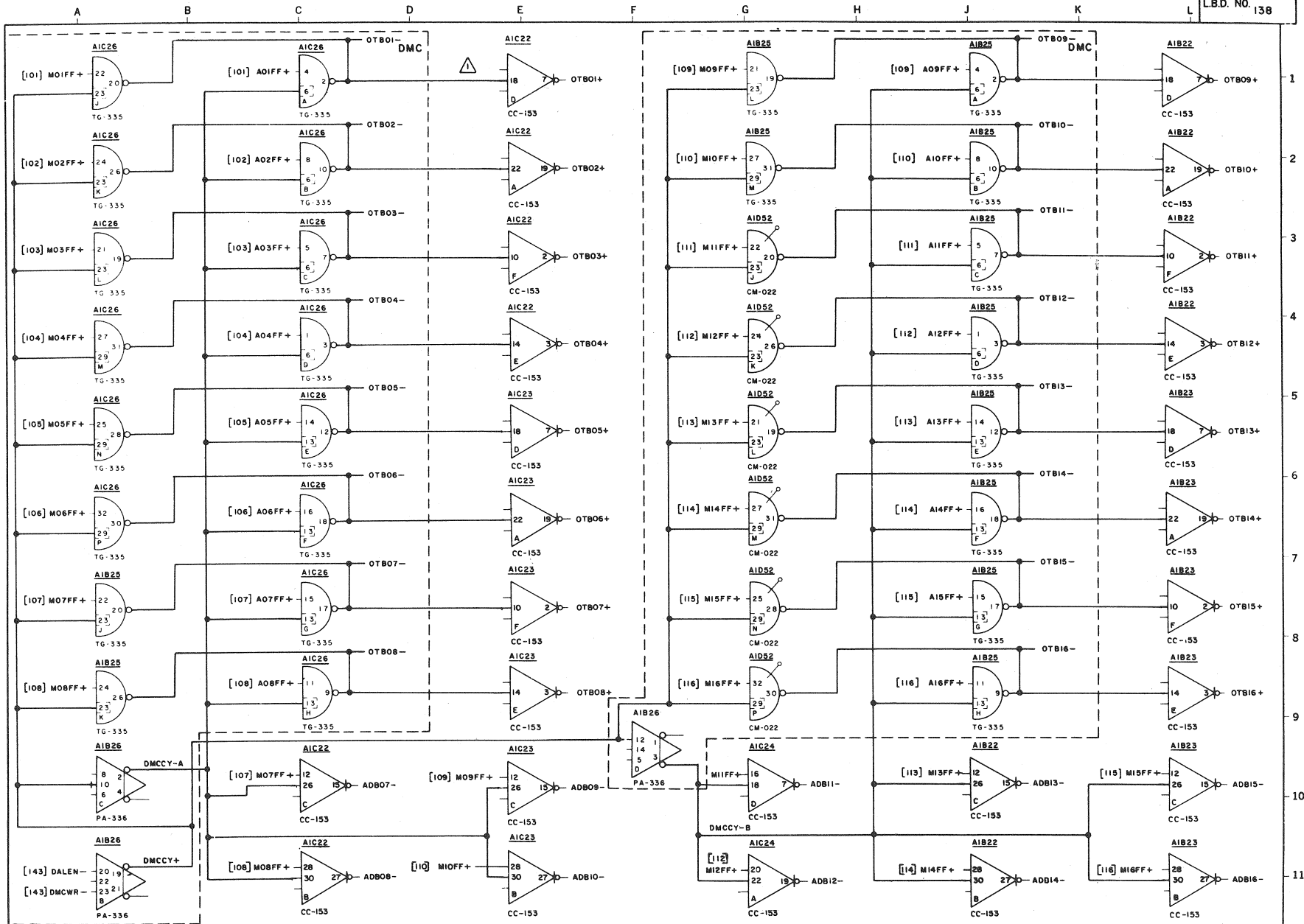


NOTE: WHEN DMA OPTION IS INSTALLED THIS DRAWING IS SUPERSEDED BY LBD 0.242 & 0.243.

CHK	REVISIONS	REV
	ECC 3839	B
	REDRAWN	

HONEYWELL I N C.		TITLE DDP-516	
COMPUTER CONTROL DIVISION <small>Old Connecticut Path, Framingham, Mass.</small>		M REGISTER EXPANSION	
DR. J. DOYLE	DATE 10-20-66	SIZE	DWG NO.
ENG. <i>[Signature]</i>	<i>[Signature]</i>	C	015760
APP. <i>[Signature]</i>	<i>[Signature]</i>		REV. B
PROJECT NO. 55223			





NOTE: Δ IF NO DMC ANFF- IS CONNECTED TO OTBNN- VIA CC154 JUMPER PAC AT AIC42 (SEE LBD 0.144)

CHK	REV	ECO	DATE	BY
	1	ECO 3704		B
	2	REDRAWN		P.M.
	3	ECO 3787		C
	4	EXT CHANGES	1/23/67	W.N.
	5	ECO 5906		D
	6	EXT CHANGES	SEE ECO 6/14/68	

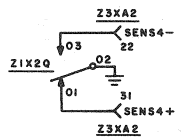
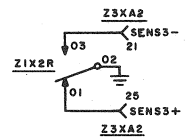
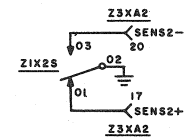
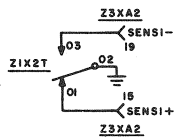
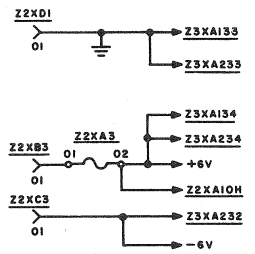
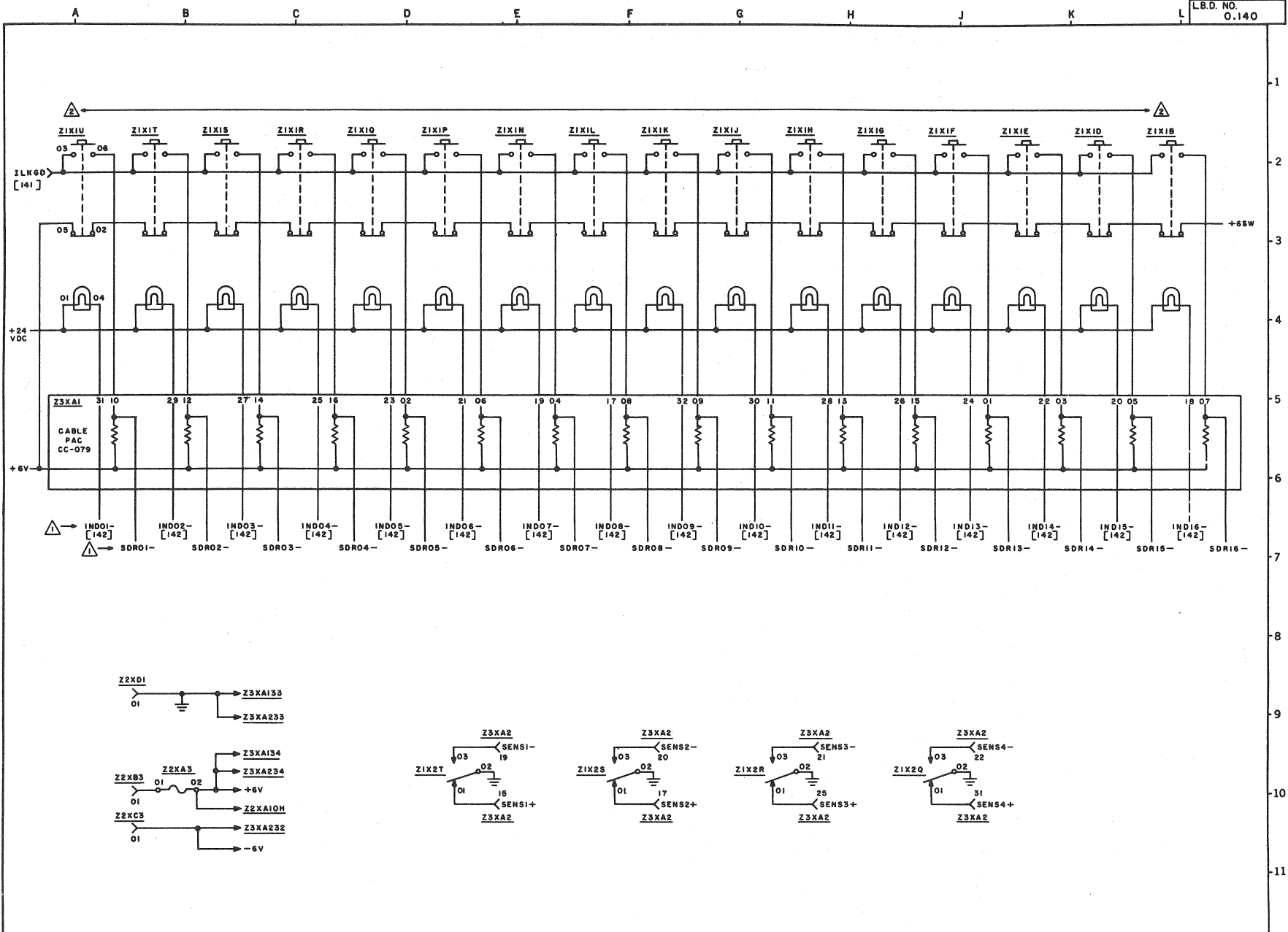
HONEYWELL
 IN C.
 COMPUTER CONTROL DIVISION
 One Connecticut Path, Framingham, Mass.

DR. P. J. ...
 ENG. J. DESAMIS
 APP. C. HENDRIE

DATE 7/1/66
 B/8/66
 8/8/66

PROJECT NO. 55223

TITLE	SIZE	DWG NO.	REV.
DDP-516 OUTPUT BUSES	C	015761	D

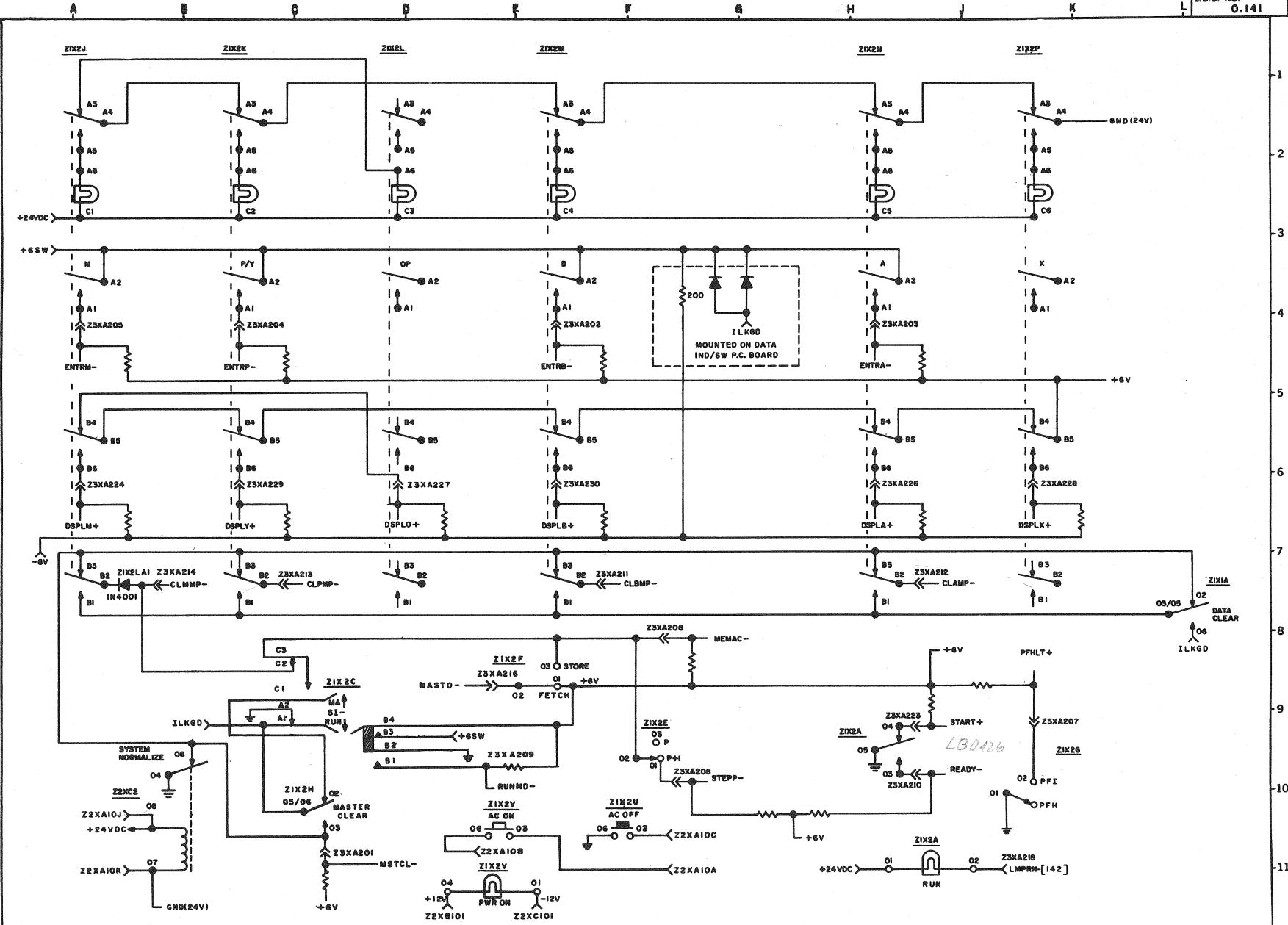


NOTE:
 ▲ EACH SIGNAL IS TWISTED WITH A GROUND AND CABLED TO M.F.
 ▲ *IN NUMBERS ON PUSHBUTTON-INDICATORS (ZIXIB THRU ZIXIT) SAME AS ZIXIU CODING.

REV.	REVISIONS
A	S.R. 64-1284
B	ECO-5724
EXT. CHANGES	
7/12/68	

COMPUTER CONTROL COMPANY, INC. FRAMINGHAM, MASS. / LOS ANGELES 64 CALIF.	
DR. A. KURTZER	DATE 8/11/68
ENG. <i>[Signature]</i>	8-2-68
APP. <i>[Signature]</i>	8/12/68
PROJECT NO. 55223	

TITLE	
DDP-516	
CONSOLE INDICATORS	
SIZE	DWG NO.
C	015762
REV.	B



NOTE:
 ▲ EXCEPT WHERE NOTED ALL RESISTORS AND DIODES ARE ON A CC-080 CABLE PAC (Z3XA2)
 ▲ EXCEPT WHERE NOTED ALL RESISTORS ARE 1K.

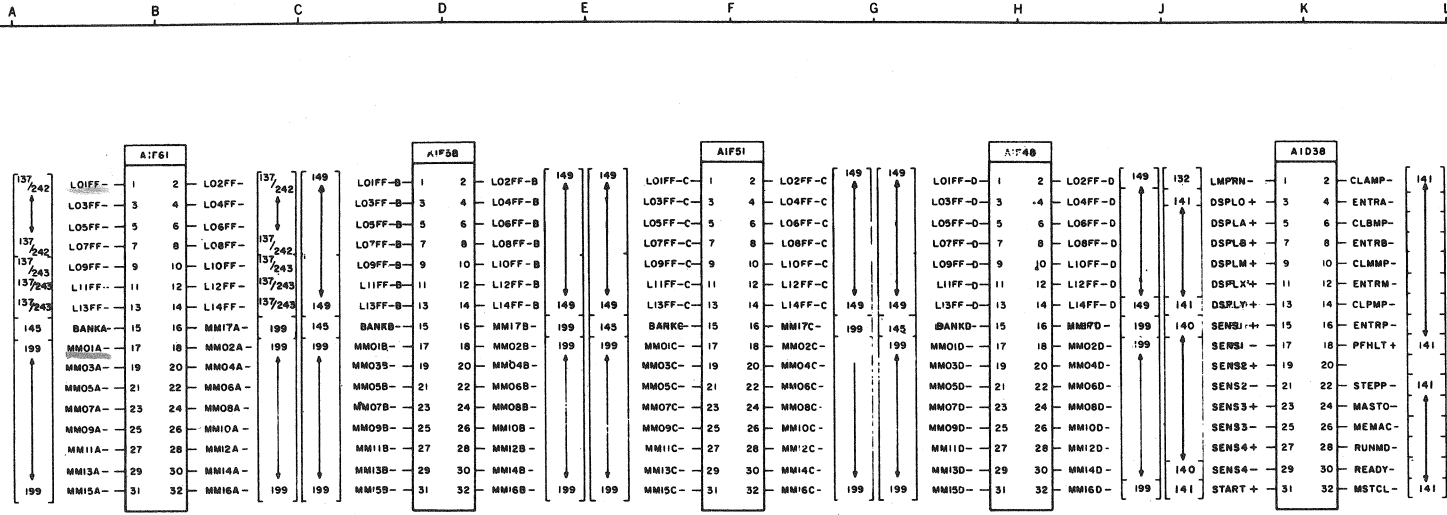
REVISIONS	DATE	BY	DESCRIPTION
1	8-1-64	LA	ECO 35-41
2	8-1-64	LA	ECO 35-41
3	8-1-64	LA	ECO 35-41
4	8-1-64	LA	ECO 35-41
5	8-1-64	LA	ECO 35-41
6	8-1-64	LA	ECO 35-41
7	8-1-64	LA	ECO 35-41
8	8-1-64	LA	ECO 35-41
9	8-1-64	LA	ECO 35-41
10	8-1-64	LA	ECO 35-41
11	8-1-64	LA	ECO 35-41

ECO 35-41
 TO
 22XA10B WFS
 22XA10J WFS
 22XA10K WFS
 22XA10L WFS
 22XA10M WFS
 22XA10N WFS
 22XA10O WFS
 22XA10P WFS
 22XA10Q WFS
 22XA10R WFS
 22XA10S WFS
 22XA10T WFS
 22XA10U WFS
 22XA10V WFS
 22XA10W WFS
 22XA10X WFS
 22XA10Y WFS
 22XA10Z WFS
 22XA11 WFS
 22XA12 WFS
 22XA13 WFS
 22XA14 WFS
 22XA15 WFS
 22XA16 WFS
 22XA17 WFS
 22XA18 WFS
 22XA19 WFS
 22XA20 WFS
 22XA21 WFS
 22XA22 WFS
 22XA23 WFS
 22XA24 WFS
 22XA25 WFS
 22XA26 WFS
 22XA27 WFS
 22XA28 WFS
 22XA29 WFS
 22XA30 WFS
 22XA31 WFS
 22XA32 WFS
 22XA33 WFS
 22XA34 WFS
 22XA35 WFS
 22XA36 WFS
 22XA37 WFS
 22XA38 WFS
 22XA39 WFS
 22XA40 WFS
 22XA41 WFS
 22XA42 WFS
 22XA43 WFS
 22XA44 WFS
 22XA45 WFS
 22XA46 WFS
 22XA47 WFS
 22XA48 WFS
 22XA49 WFS
 22XA50 WFS
 22XA51 WFS
 22XA52 WFS
 22XA53 WFS
 22XA54 WFS
 22XA55 WFS
 22XA56 WFS
 22XA57 WFS
 22XA58 WFS
 22XA59 WFS
 22XA60 WFS
 22XA61 WFS
 22XA62 WFS
 22XA63 WFS
 22XA64 WFS
 22XA65 WFS
 22XA66 WFS
 22XA67 WFS
 22XA68 WFS
 22XA69 WFS
 22XA70 WFS
 22XA71 WFS
 22XA72 WFS
 22XA73 WFS
 22XA74 WFS
 22XA75 WFS
 22XA76 WFS
 22XA77 WFS
 22XA78 WFS
 22XA79 WFS
 22XA80 WFS
 22XA81 WFS
 22XA82 WFS
 22XA83 WFS
 22XA84 WFS
 22XA85 WFS
 22XA86 WFS
 22XA87 WFS
 22XA88 WFS
 22XA89 WFS
 22XA90 WFS
 22XA91 WFS
 22XA92 WFS
 22XA93 WFS
 22XA94 WFS
 22XA95 WFS
 22XA96 WFS
 22XA97 WFS
 22XA98 WFS
 22XA99 WFS
 22XA00 WFS

TITLE
 DDP-516
 CONSOLE
 SWITCHES

DR. A. KURTZER
 DATE 8/4/64
 ENG. [Signature]
 APP. [Signature]
 PROJECT NO. 55223

SIZE C DWG. NO. 015763 REV. E



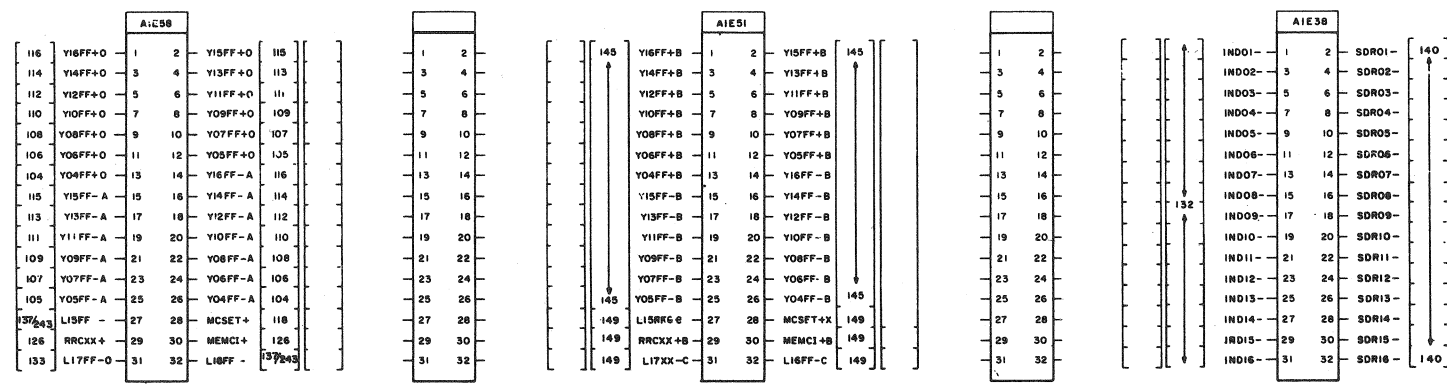
BANK A

BANK B

BANK C

BANK D

CONSOLE



AIC58

AIE51

AIE38

REVISIONS
 S.R. 64-1264 A
 ECO 3177 B
 EXT CHANGES
 1/23/67 E.A.
 R.C.L. 1/27

COMPUTER CONTROL COMPANY, INC.
 FRAMINGHAM MASS. LOS ANGELES 64 CALIF.
 DR. A. KURTZER DATE 1/26/66
 ENG. [Signature] 1/26/66
 APP. [Signature] 1/26/66
 PROJECT NO. 59223

TITLE
 DDP-516
 CONSOLE AND
 MEMORY CABLE
 CONNECTOR
 DWG NO. 015764
 REV. 2

A B C D E F G H J K L

1
2
3
4
5
6
7
8
9
10
11

-AIES7				AIES2			
[42] MM09A-	1	2	MM09B-	[42] [42]	MM01A-	1	2
MM09E-	3	4	MM09F-		MM01E-	3	4
[42] MM10A-	5	6	MM10B-	[42] [42]	MM02A-	5	6
MM10E-	7	8	MM10F-		MM02E-	7	8
[42] MM11A-	9	10	MM11B-	[42] [42]	MM03A-	9	10
MM11E-	11	12	MM11F-		MM03E-	11	12
[42] MM12A-	13	14	MM12B-	[42] [42]	MM04A-	13	14
MM12E-	15	16	MM12F-		MM04E-	15	16
[42] MM13A-	17	18	MM13B-	[42] [42]	MM05A-	17	18
MM13E-	19	20	MM13F-		MM05E-	19	20
[42] MM14A-	21	22	MM14B-	[42] [42]	MM06A-	21	22
MM14E-	23	24	MM14F-		MM06E-	23	24
[42] MM15A-	25	26	MM15B-	[42] [42]	MM07A-	25	26
MM15E-	27	28	MM15F-		MM07E-	27	28
[42] MM16A-	29	30	MM16B-	[42] [42]	MM08A-	29	30
MM16E-	31	32	MM16F-		MM08E-	31	32

CC054

CC064

REMOVE THESE JUMPERS IF BS OR DMA

1	2
3	4
5	6
7	8
9	10
11	12
13	14
15	16
17	18
19	20
21	22
23	24
25	26
27	28
29	30
31	32

AIF52				AIC42			
[101] MO1FF+	1	2	MO2FF+	[102] [101]	AO1FF-	1	2
LO1FF+	3	4	LO2FF+		OTB01-	3	4
[103] MO3FF+	5	6	MO4FF+	[104] [103]	AO3FF-	5	6
LO3FF+	7	8	LO4FF+		OTB03-	7	8
[105] MO5FF+	9	10	MO6FF+	[106] [105]	AO5FF-	9	10
LO5FF+	11	12	LO6FF+		OTB05-	11	12
[107] MO7FF+	13	14	MO8FF+	[108] [107]	AO7FF-	13	14
LO7FF+	15	16	LO8FF+		OTB07-	15	16
[109] MO9FF+	17	18	MO10FF+	[110] [109]	AO9FF-	17	18
LO9FF+	19	20	LO10FF+		OTB09-	19	20
[111] MO11FF+	21	22	MO12FF+	[112] [111]	AO11FF-	21	22
LO11FF+	23	24	LO12FF+		OTB11-	23	24
[113] MO13FF+	25	26	MO14FF+	[114] [113]	AO13FF-	25	26
LO13FF+	27	28	LO14FF+		OTB13-	27	28
[115] MO15FF+	29	30	MO16FF+	[116] [115]	AO15FF-	29	30
LO15FF+	31	32	LO16FF+		OTB15-	31	32

CC054

CC094

REMOVE JUMPER IF DMA

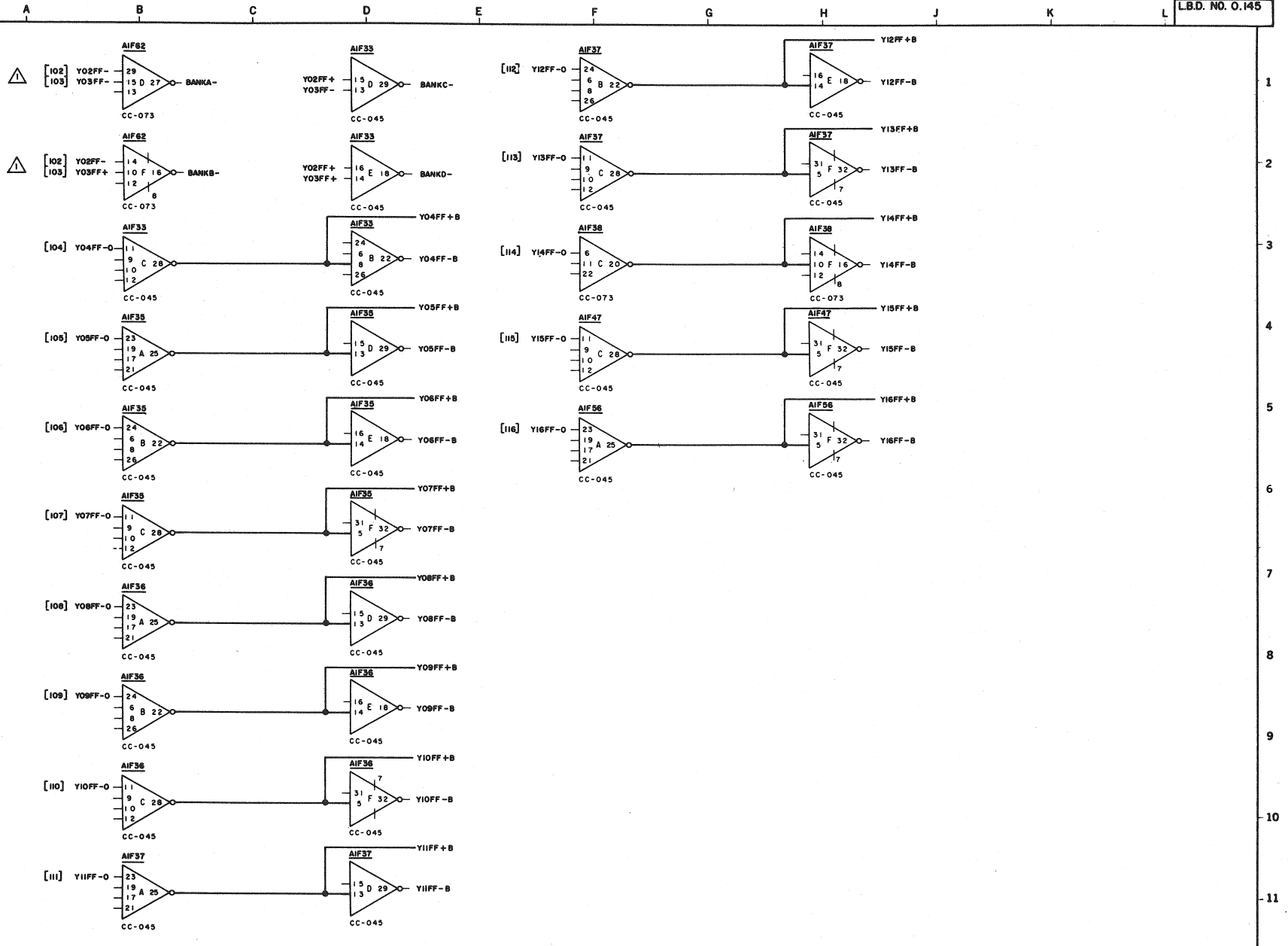
REMOVE JUMPER IF DMC

REVISIONS	DATE
1	8-9-66
2	8/16/66

S.R. 64-1284 A

COMPUTER CONTROL COMPANY, INC
 FRAMINGHAM MASS. LOS ANGELES CALIF.
 DR. A. KURTZER DATE 8/9/66
 ENG. [Signature] 8-9-66
 APP. [Signature] 8/16/66
 PROJECT NO. 95223

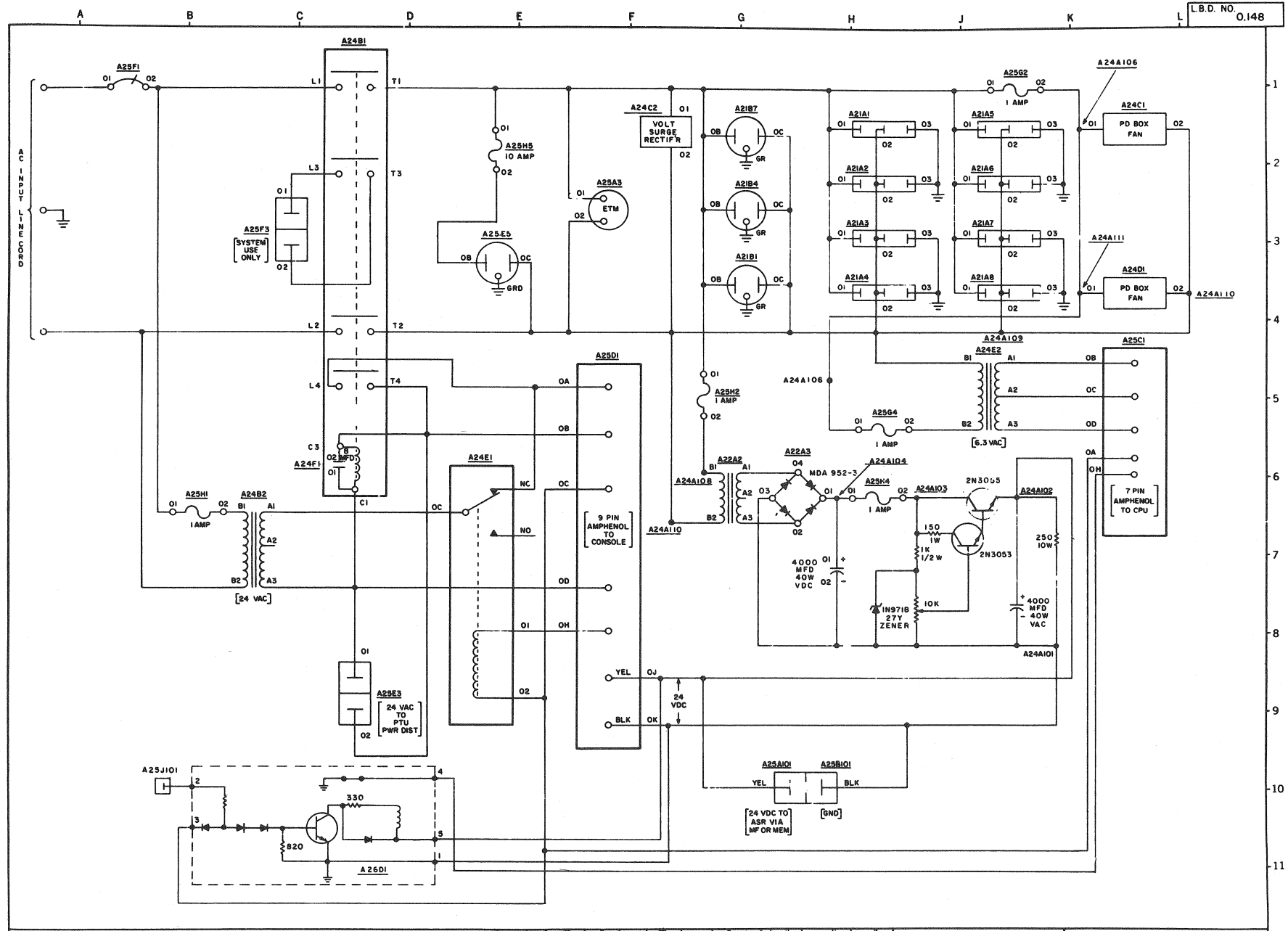
TITLE
 DDP-516
 OPTION JUMPERS
 SIZE DWG NO. 015766
 REV. A



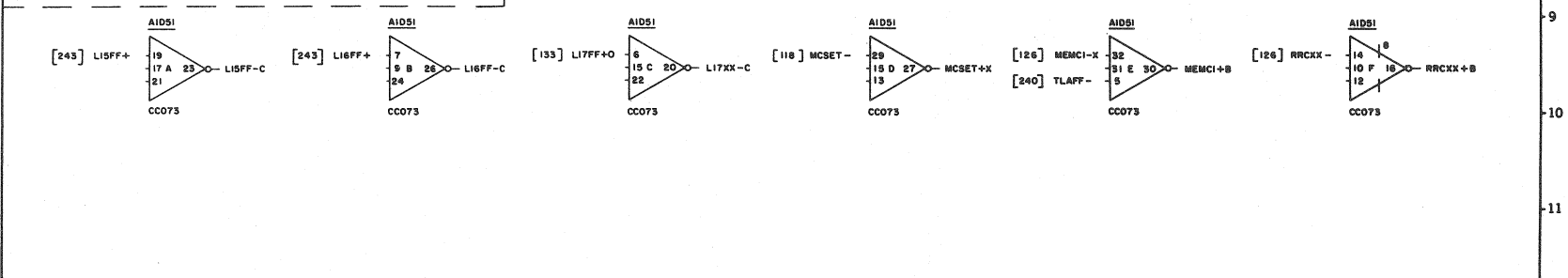
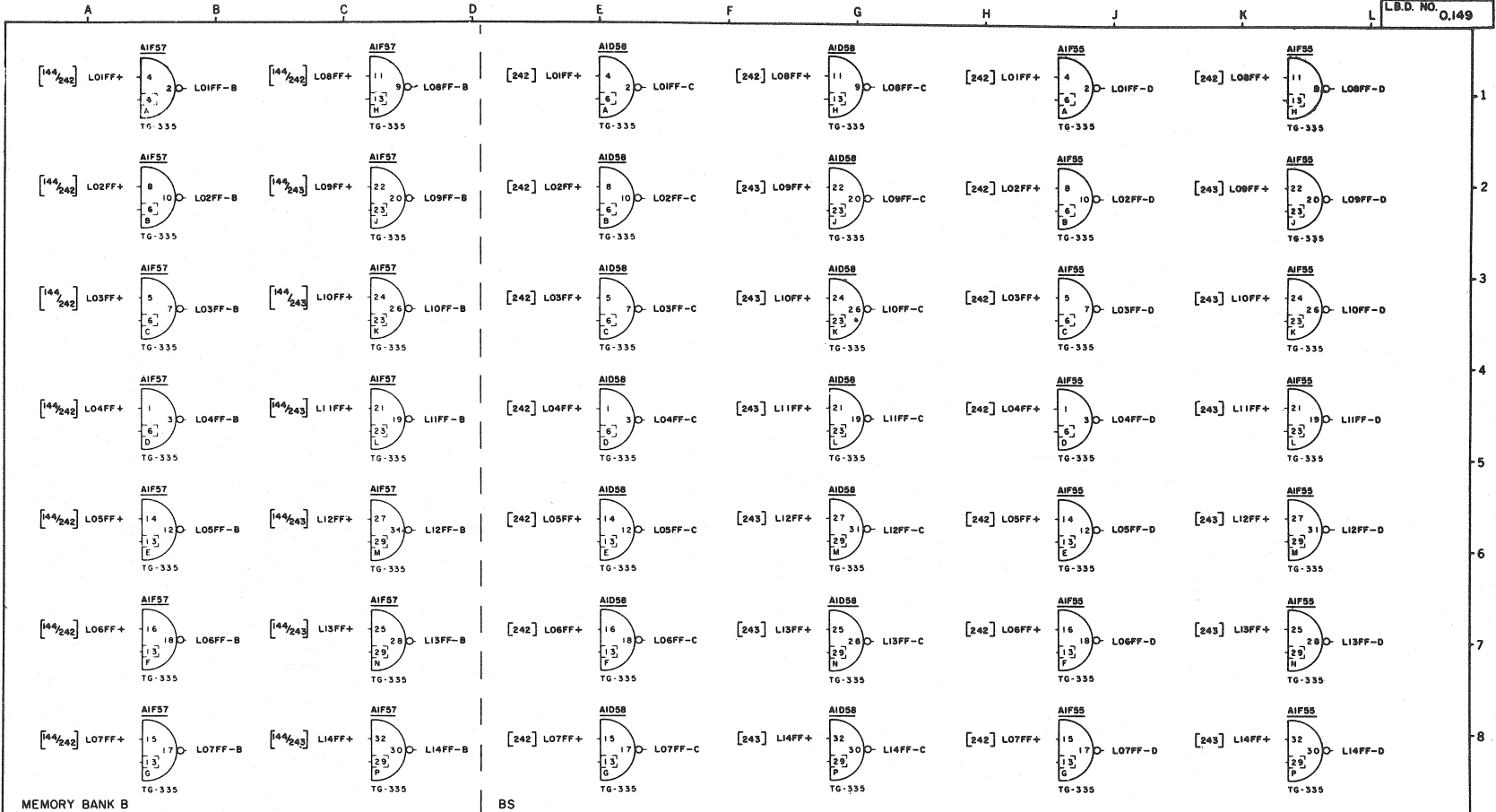
⚠ THIS SIGNAL ONLY WIRED IN MACHINES WITH OVER 16K MEMORY

CHK.	REVISIONS	REV.
	ECO 3704	B
	REDRAWN	C
	ECO 4785	C
	EXT CHNG 4/12/68	
	SEE ECO L.O.S.	

HONEYWELL		TITLE	
I N C.		DDP-516	
COMPUTER CONTROL DIVISION		Y-REGISTER EXPANSION	
Old Connecticut Path, Framingham, Mass.			
DR. <i>G. Hendon</i>	DATE 9/2/68	SIZE	DWG NO.
ENG. <i>J. Hendon</i>		C	015767
APP. <i>G. Hendon</i>		REV.	C
PROJECT NO. 56223			

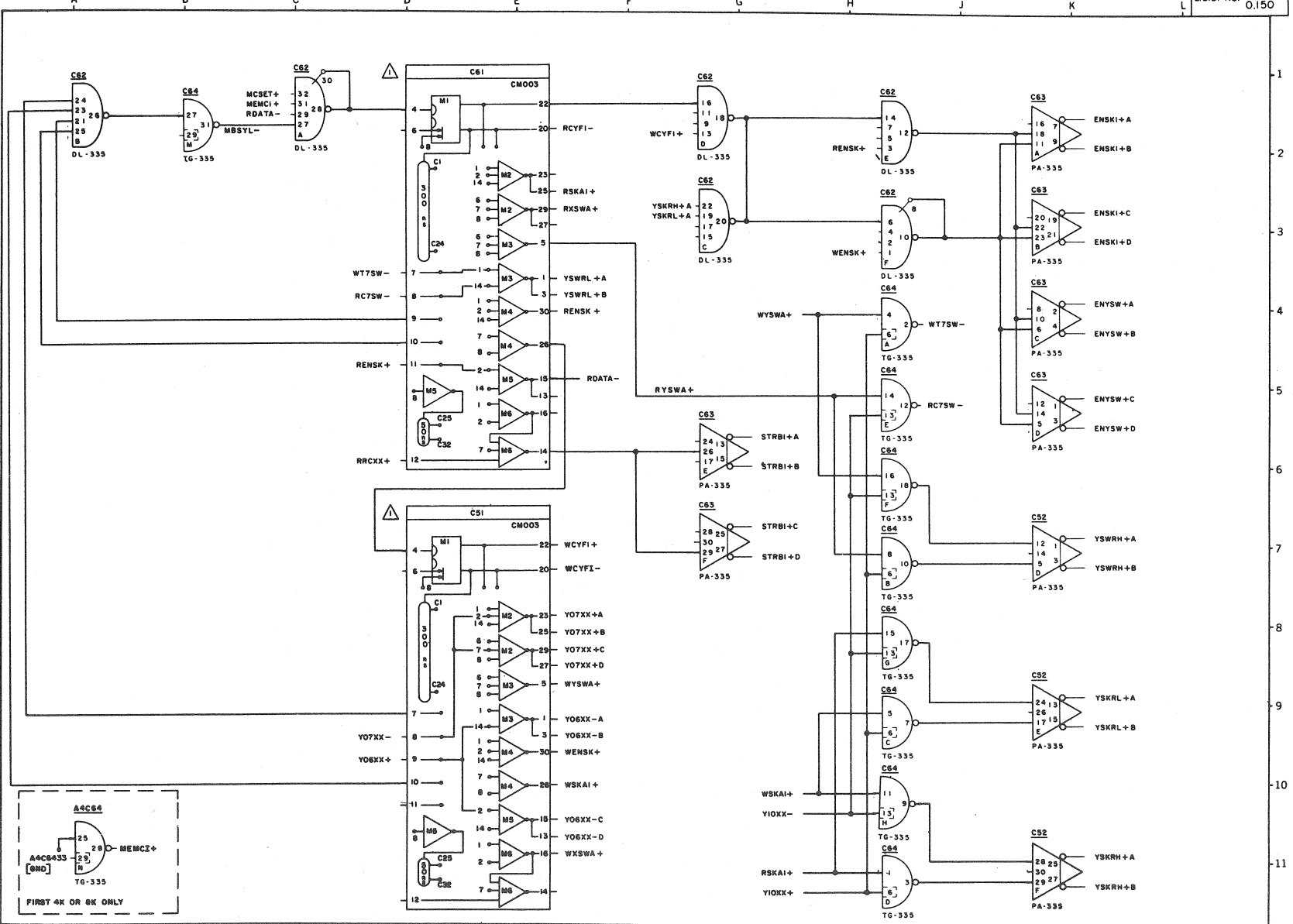


1605221 G EXT. CHANGES D.S. 4/13/68		REVISIONS S.R. 94-1284 A ECO 3700 B EXT. CHANGES SEE ECO 11-9-66 ECO 4142 C EXT. CHANGES SEE ECO 3/6/67 ECO 4217 D EXT. CHANGES SEE ECO 4/11/67 ECO 4515 E ECO 03 WAE 01 A22A3 01 WAS 03 8-27-67 ECO 4512 F EXT. CHANGES J.D. 8/16/67 1605221		TITLE DDP-516 POWER DISTRIBUTION COMPUTER CONTROL COMPANY, INC. FRAMINGHAM MASS LOS ANGELES 84 CALIF DR. A. KURTZER DATE 8/68 ENG. DATE 8/68 APP. DATE 8/68 PROJECT NO. 55223		SIZE C	DWG NO. 015768	REV. C
---	--	---	--	---	--	-----------	-------------------	-----------




REV	REVISIONS
1	REVISED
2	REVISED
3	REVISED
4	REVISED
5	REVISED
6	REVISED
7	REVISED
8	REVISED
9	REVISED
10	REVISED
11	REVISED
12	REVISED
13	REVISED
14	REVISED
15	REVISED
16	REVISED
17	REVISED
18	REVISED
19	REVISED
20	REVISED
21	REVISED
22	REVISED
23	REVISED
24	REVISED
25	REVISED
26	REVISED
27	REVISED
28	REVISED
29	REVISED
30	REVISED
31	REVISED
32	REVISED
33	REVISED
34	REVISED
35	REVISED
36	REVISED
37	REVISED
38	REVISED
39	REVISED
40	REVISED
41	REVISED
42	REVISED
43	REVISED
44	REVISED
45	REVISED
46	REVISED
47	REVISED
48	REVISED
49	REVISED
50	REVISED

COMPUTER CONTROL COMPANY, INC. FRAMINGHAM MASS LOS ANGELES 64 CALIF		TITLE DDP-516 MEMORY DRIVE FANOUT	
DR. A. KURTZER	DATE 6/8/66	SIZE	DWG NO.
APP. [Signature]	[Signature]	C	015769
PROJECT NO. 55223		REV	16

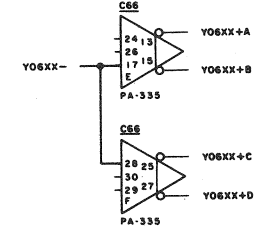
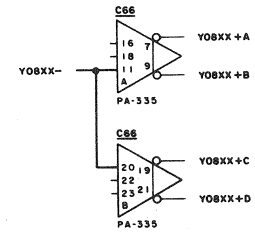
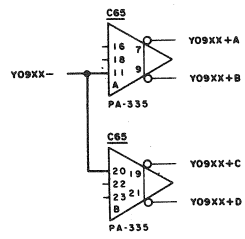
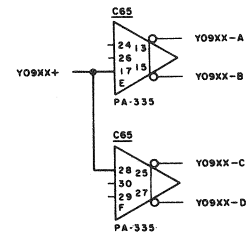
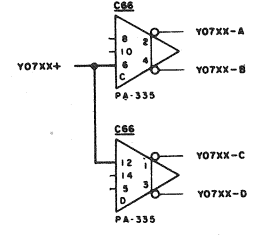
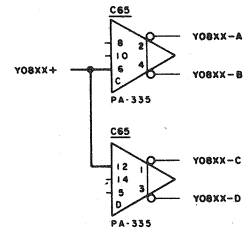
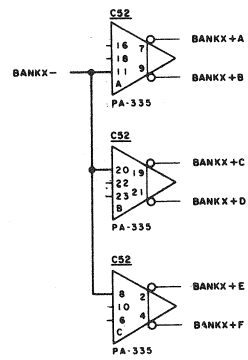


SEE DWG NO. A009705XXX FOR TYPICAL TIMING DISTRIBUTOR (CMO03) TAP WIRING

REV	REVISIONS
1	S. R. 84-1264 A
2	E.C.O. 4448 C
3	E.C.O. 4350 B
4	EXT. CHANGES 4/26/77
5	E.C.O. 4448 C
6	EXT. CHANGES 6/27/77
7	E.C.O. 5170 D
8	EXT. CHANGES 8/17/78
9	SEE ECO 2478


 COMPUTER CONTROL COMPANY, INC.
 FRAMINGHAM MASS / LOS ANGELES 64 CALIF
 DR. A. KURTZER DATE 8/11/76
 ENG. W. ROONAL 8/11/76
 PROJECT NO. 55217

TITLE		TIMING & CONTROL	
SIZE	DWG NO.	REV.	
C	015415	D	



REVISIONS	DATE	BY
1	8/11/66	R. W. FULTON
2	5/17/66	ADD. WORK

COMPUTER CONTROL COMPANY, INC.

 FRAMINGHAM MASS 01902 LOS ANGELES 64 CALIF

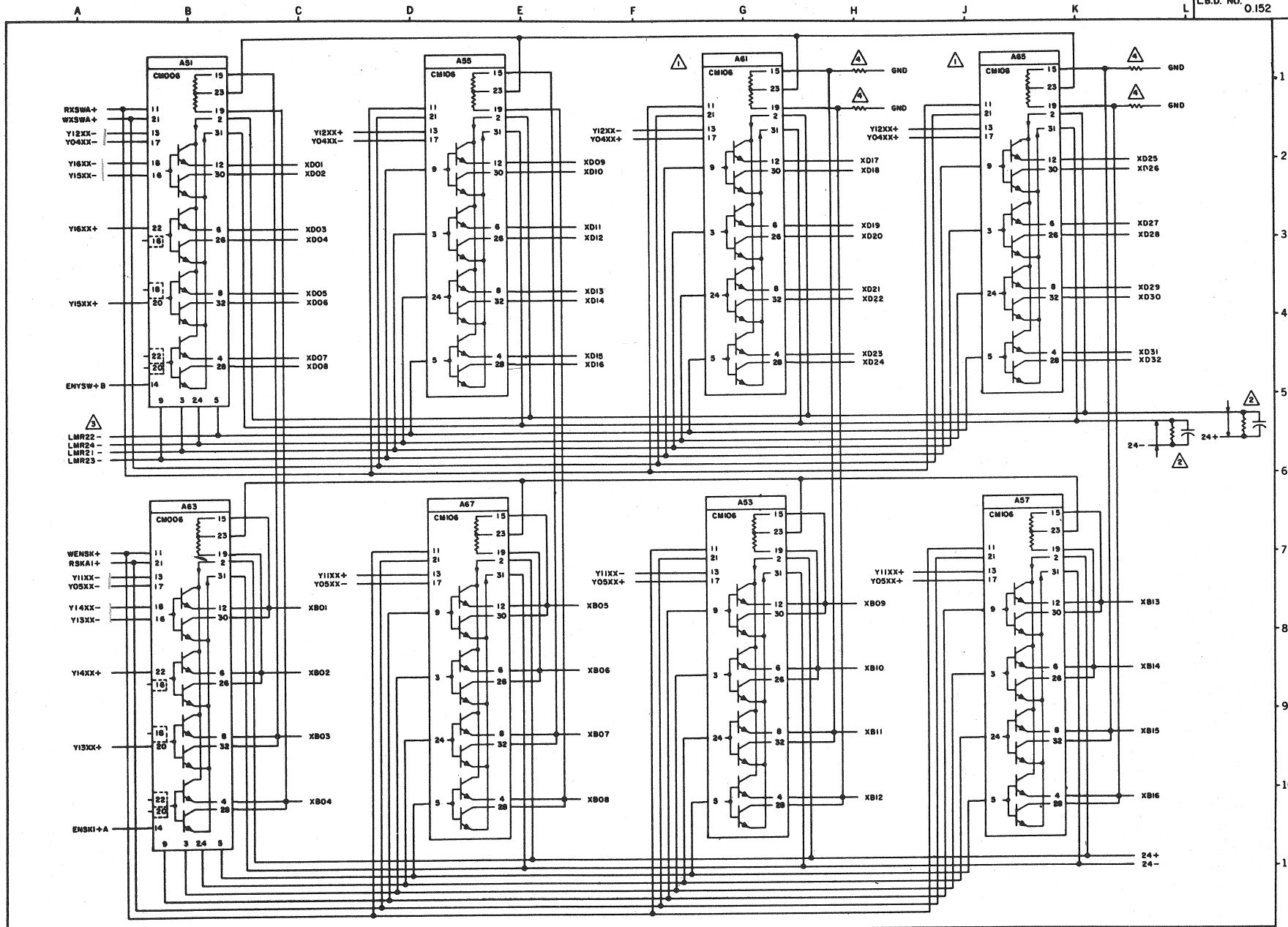
 DR. A. KURTZER DATE 8/11/66

 ENG. R. W. FULTON 8/11/66

 APP. [Signature] 5/17/66

 PROJECT NO. 55217

TITLE		REV
ADDRESS BUFFER		A
SIZE	DWG NO.	
C	015416	



- ⚠ FOR 4096 WORD MEMORY DELETE CM106'S IN PAC LOCATIONS A65 & A61
- ⚠ 5 WATT RESISTOR & CAP (MOUNTED ON RESISTOR PLATE)
- ⚠ 1/4 WATT RESISTOR (MOUNTED ON BACK PLANE)
- ⚠ 1/4 WATT RESISTOR (MOUNTED ON BACK PLANE) ON 4096 WORD MODULE

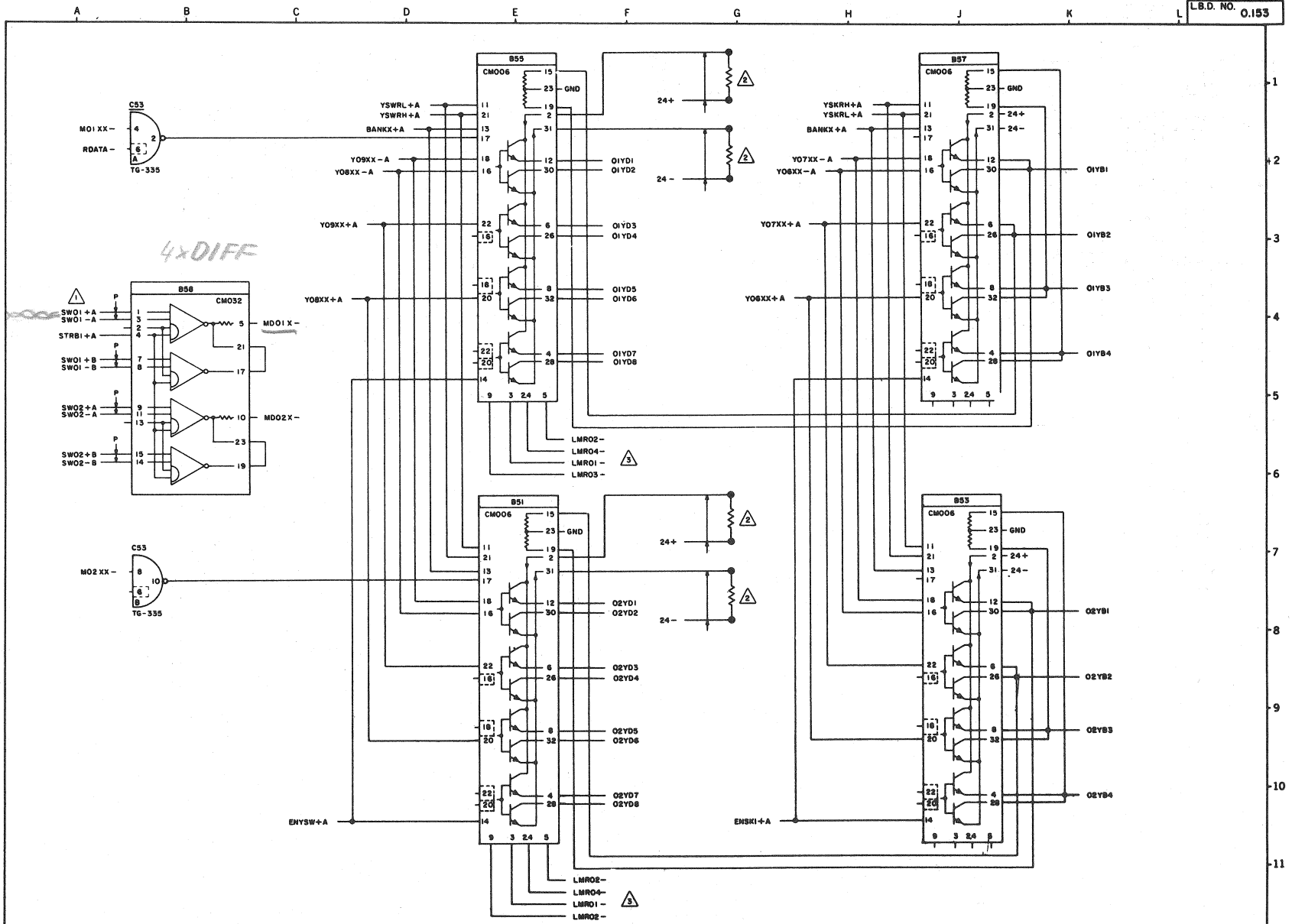
REV	DATE	BY	CHKD
1	8/11/66	RWF	
2	8/17/66	RWF	

ECO 9906 B
EXT. CHANGES
SEE EFC 6/14/68

COMPUTER CONTROL COMPANY, INC.
FRAMINGHAM MASS / LOS ANGELES CA CALIF

DR. A. KURTZER DATE 8/4/66
ENG. R. W. FLETCHER 8/11/66
APP. [Signature] 8/17/66
PROJECT NO. 55217

TITLE	X DECODING AND SELECTION
SIZE	C
DWG NO.	015417
REV.	B



- △ FOR 4096 WORD MEMORY CMO33 REPLACES CMO32
- △ 9 WATT RESISTOR (MOUNTED ON RESISTOR PLATE)
- △ 1/4 WATT RESISTOR (MOUNTED ON BACK PLANE)

REV	DATE	BY	CHKD
1	8-1-66	A	
2	8-1-66	A	

COMPUTER CONTROL COMPANY, INC.

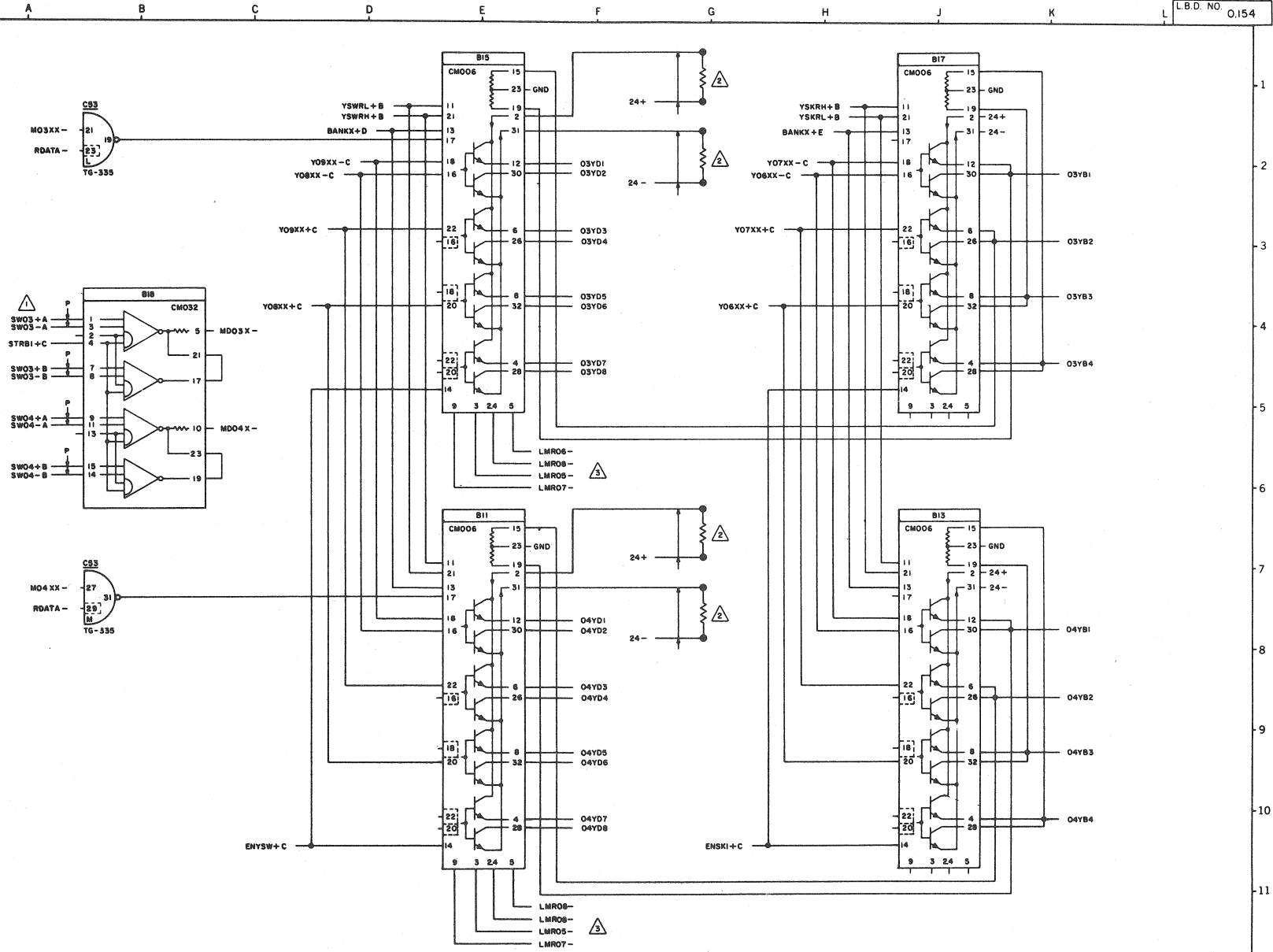
 FRAMINGHAM MASS / LOS ANGELES 64 CALIF.

 DR. A. KURTZER DATE 8/1/66

 ENG. R.W. FUSTLER 8/1/66

 PROJ. NO. 55217

TITLE		REV	
DATA CHANNEL		A	
BITS 1 AND 2			
SIZE	DWG NO.		
C	015418		

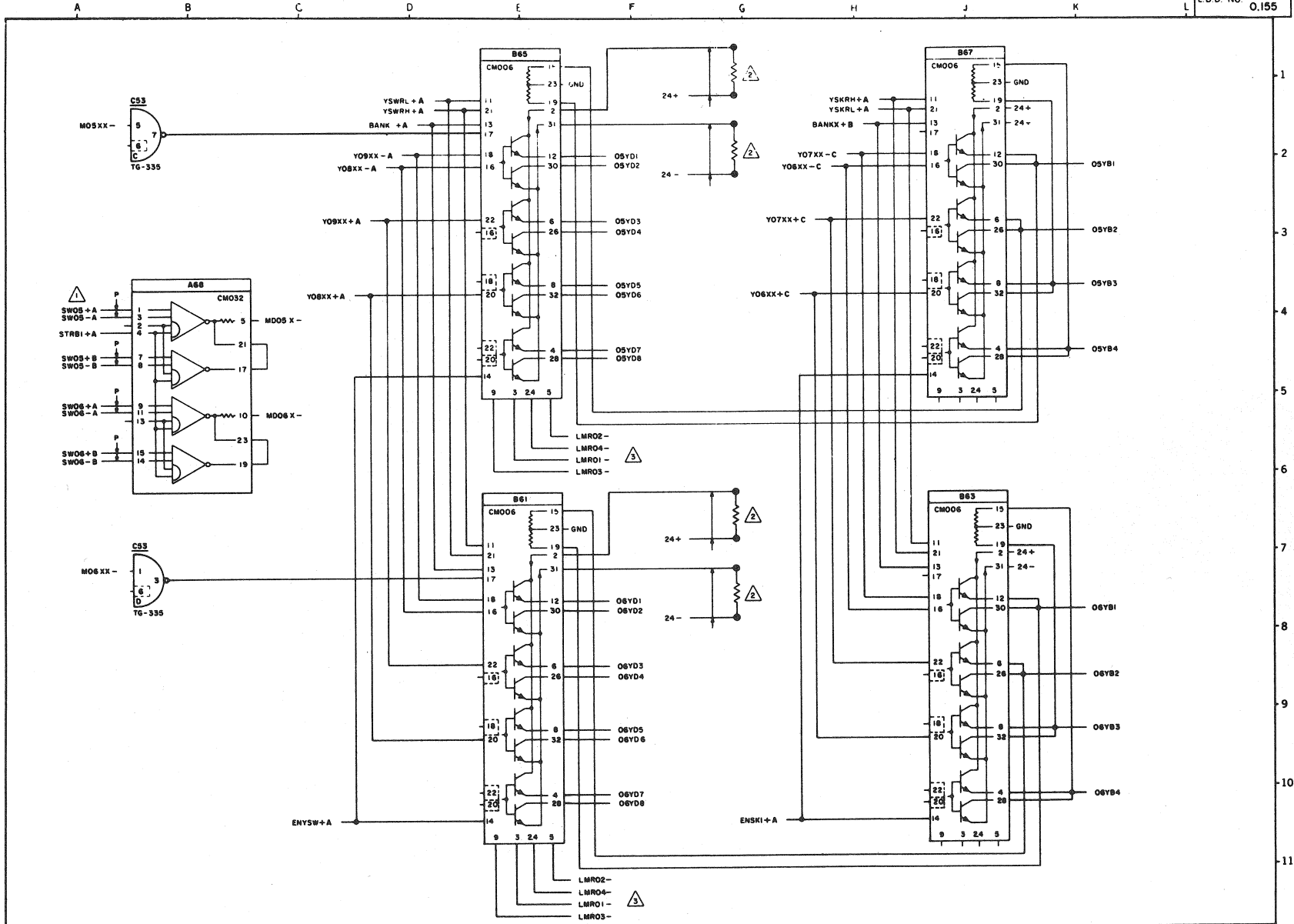


- △ FOR 4096 WORD MEMORY CMO33 REPLACES CMO32
- △ 5 WATT RESISTOR (MOUNTED ON RESISTOR PLATE)
- △ 1/4 WATT RESISTOR (MOUNTED ON BACK PLANE)

REVISIONS
 S. R. 64-1264
 [Signature]

COMPUTER CONTROL COMPANY, INC.
 FRAMINGHAM MASS LOS ANGELES 64 CALIF
 DR. A. KURTZER DATE 8/9/66
 ENG. A. W. FLETCHER 8/11/66
 APP. [Signature] 8/17/66
 PROJECT NO. 55217

TITLE
 DATA CHANNEL
 BITS 3 AND 4
 SIZE DWG NO. C 015419
 REV. A

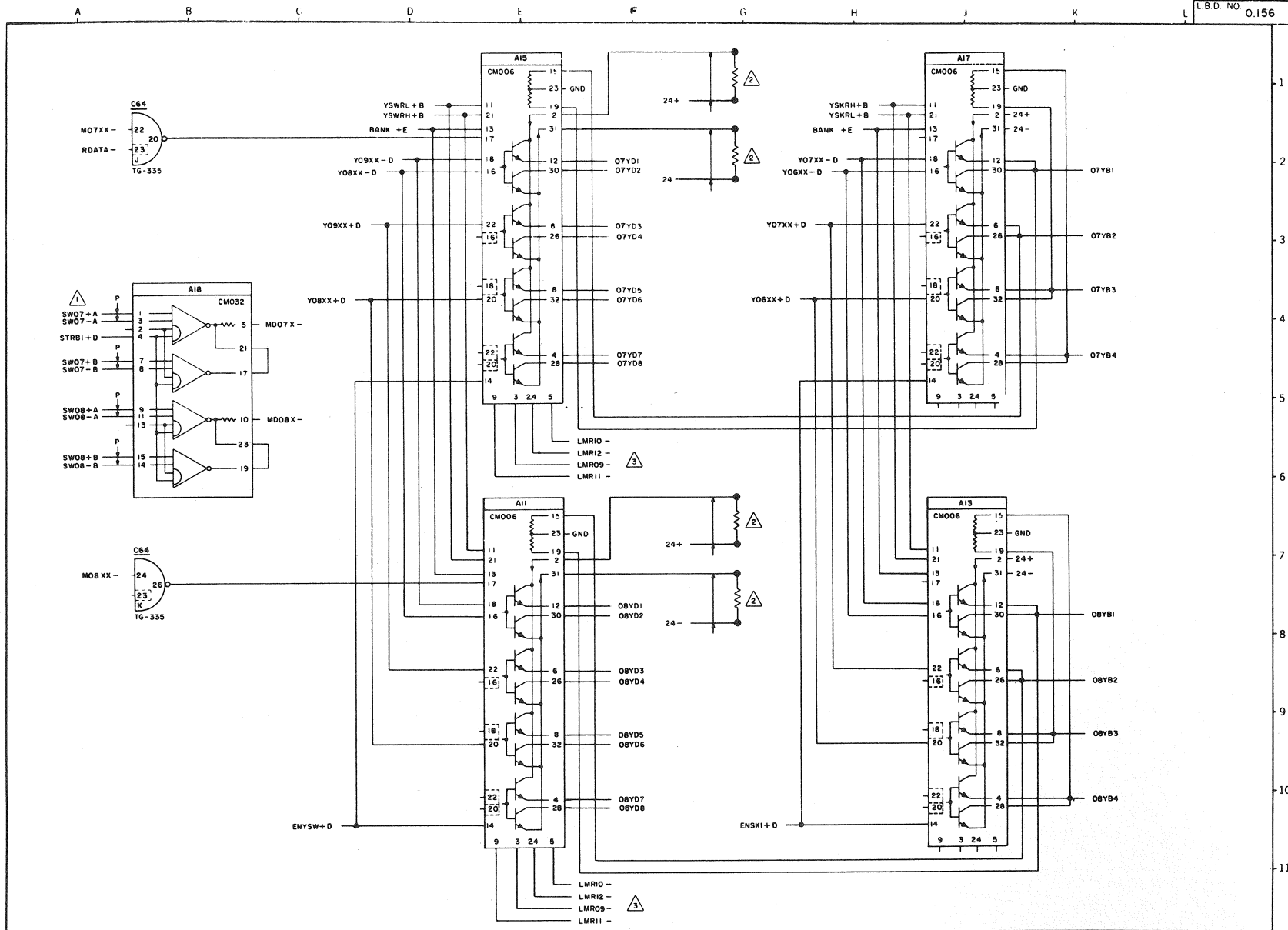


- ▲ FOR 4096 WORD MEMORY CMO33 REPLACES CMO32
- ▲ 5 WATT RESISTOR (MOUNTED ON RESISTOR PLATE)
- ▲ 1/4 WATT RESISTOR (MOUNTED ON BACK PLANE)

REV.	DATE
1	04-1964
2	04-1964

COMPUTER CONTROL COMPANY, INC.
 FRANKLIN MASS. LOS ANGELES 64 CALIF.
 DR. A. KURTZER DATE 4/64
 ENG. J. J. JOHNSON
 APP. J. J. JOHNSON
 PROJECT NO. 552-7

TITLE
 DATA CHANNEL
 BITS 5 AND 6
 SIZE DWG NO. 015420
 REV.

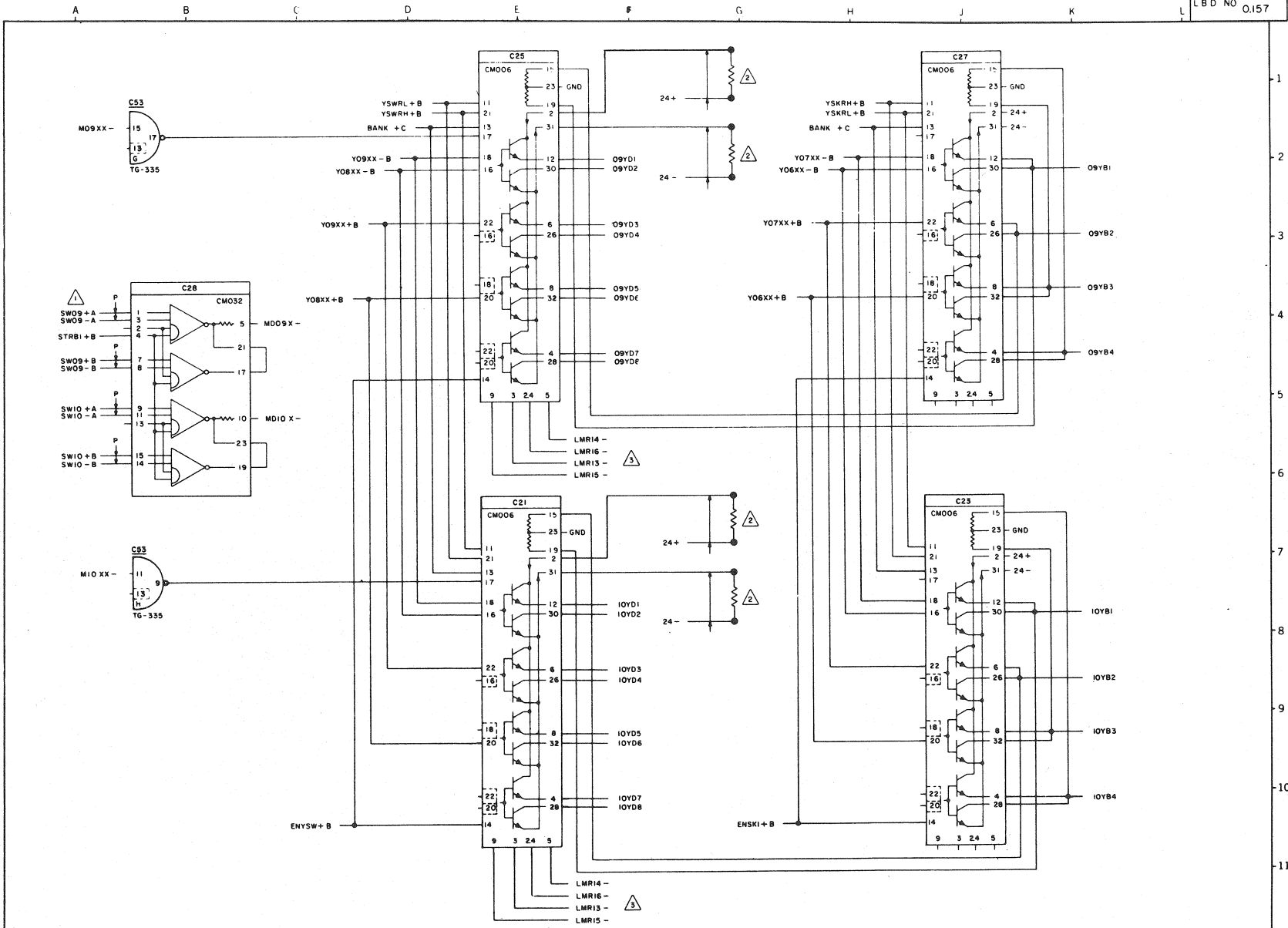


- △ FOR 4096 WORD MEMORY CM033 REPLACES CM032
- △ 5 WATT RESISTOR (MOUNTED ON RESISTOR PLATE)
- △ 1/4 WATT RESISTOR (MOUNTED ON BACK PLANE)

REVISONS	64-1264 A
S. R.	

COMPUTER CONTROL COMPANY, INC. FRANKLIN WAYS, LOS ANGELES 94, CALIF.	
DR. A. KURTZER	DATE 6/4/68
ENG. J. H. PERIN	
APP. J. H. PERIN	
PROJECT NO. 55217	

TITLE	
DATA CHANNEL	
BITS 7 AND 8	
SIZE	DWG NO.
C	015421
REV	A

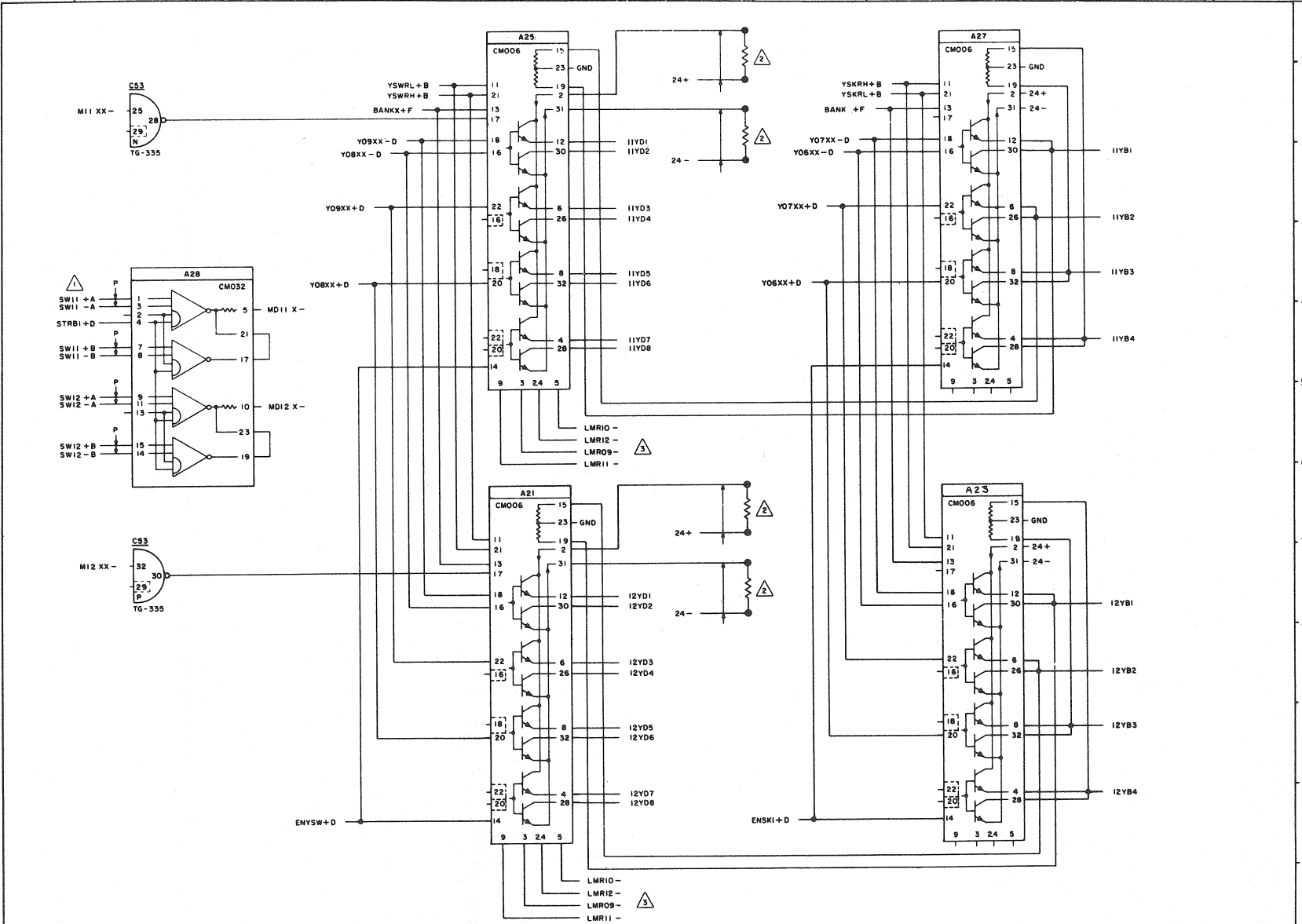


- △ FOR 4096 WORD MEMORY CMO33 REPLACES CMO32
- △ 3 WATT RESISTOR (MOUNTED ON RESISTOR PLATE)
- △ 1/4 WATT RESISTOR (MOUNTED ON BACK PLANE)

REVISIONS	1
S. R. #4-1284	A

COMPUTER CONTROL COMPANY, INC.	
FRANKLIN MANASSAS, VIRGINIA	
DR. A. KURTZER	DATE 6/4/66
ENG. [Signature]	APP. [Signature]
PROJECT NO. 55217	

TITLE	
DATA CHANNEL	
BITS 9 AND 10	
SIZE	DWG NO.
C	015422
REV.	1/1



- △ FOR 4096 WORD MEMORY CMO33 REPLACES CMO32
- △ 5 WATT RESISTOR (MOUNTED ON RESISTOR PLATE)
- △ 1/4 WATT RESISTOR (MOUNTED ON BACK PLANE)

REV	DATE	BY	CHKD
1	8-12-64	A	

COMPUTER CONTROL COMPANY, INC.

 FRAMINGHAM MASS. LOS ANGELES 64 CALIF.

 DR. A. KURTZER DATE 8/4/66

 ENG. W. L. LEICHER

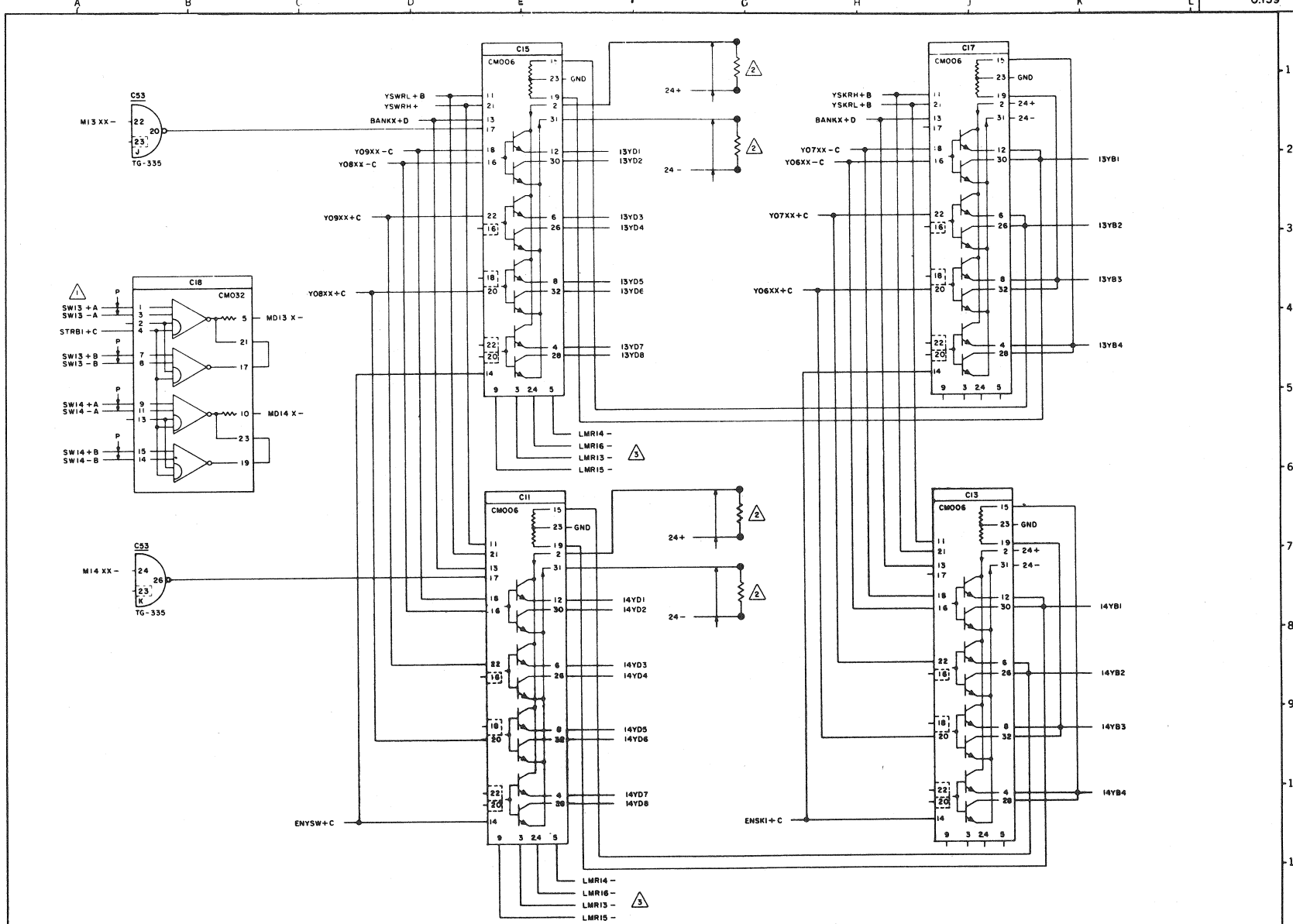
 APP. W. L. LEICHER

 PROJECT NO. 85217

TITLE
 DATA CHANNEL
 BITS 11 AND 12

SIZE DWG NO.
 C 015423

REV
 A1

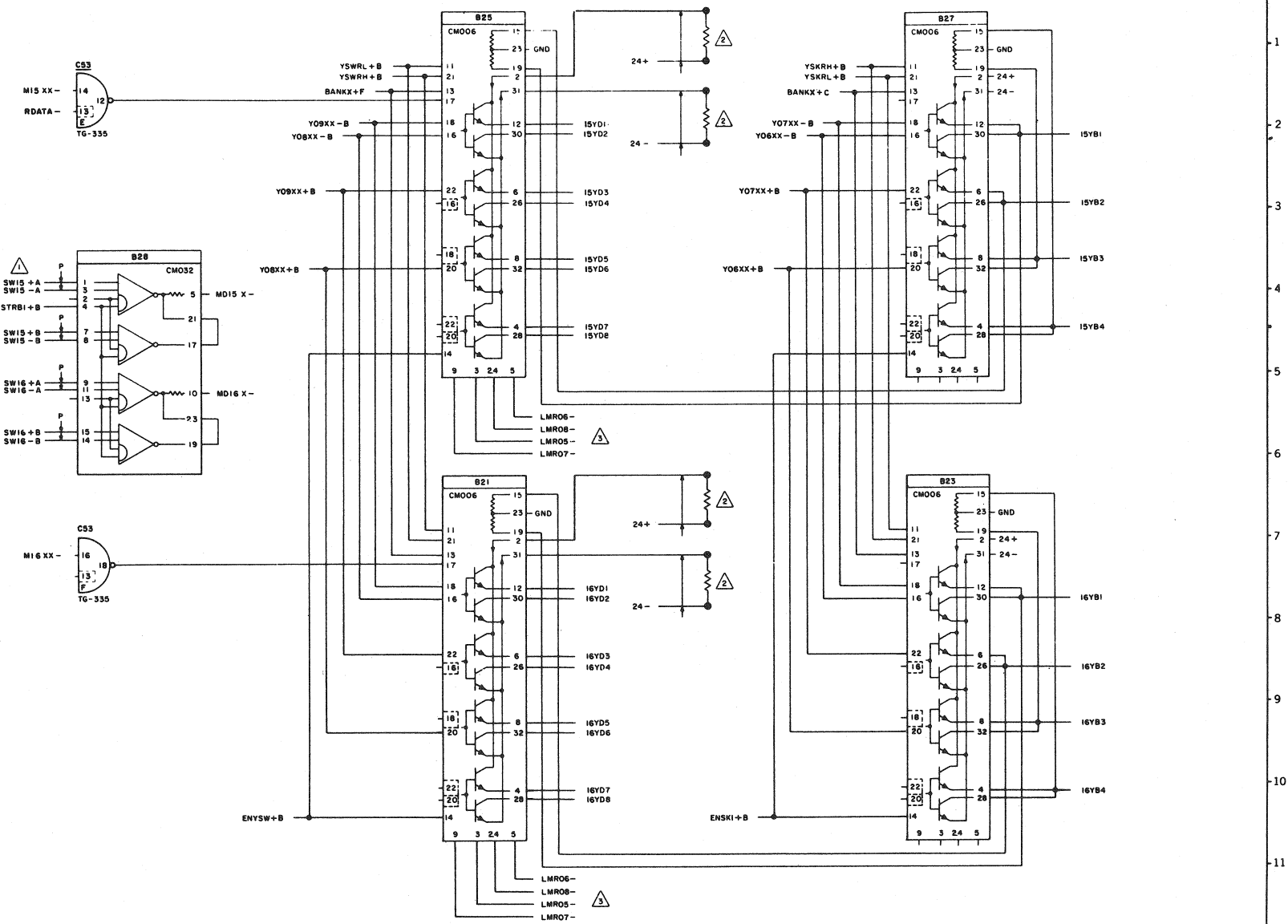


- △ FOR 4096 WORD MEMORY CMO33 REPLACES CMO32
- △ 5 WATT RESISTOR (MOUNTED ON RESISTOR PLATE)
- △ 1/4 WATT RESISTOR (MOUNTED ON BACK PLANE)

REVISIONS	
S.R. 64-1264 A	

		TITLE DATA CHANNEL BITS 13 AND 14	
COMPUTER CONTROL COMPANY, INC. FRANKLIN WASS LOS ANGELES 94 CALIF.		DATE 3/4/68	DR. A. KURTZER
ENG. A. KURTZER	8/11/66	SIZE C	DWG NO. 015424
PROJECT NO. 55217	8/17/66		REV. //

A B C D E F G H J K L



- △ FOR 4096 WORD MEMORY CMO33 REPLACES CMO32
- △ 5 WATT RESISTOR (MOUNTED ON RESISTOR PLATE)
- △ 1/4 WATT RESISTOR (MOUNTED ON BACK PLANE)

REV.	DATE	BY
1	8/11/66	A
2	8/17/66	A

COMPUTER CONTROL COMPANY, INC.

 FRAMINGHAM MASS LOS ANGELES 64 CALIF

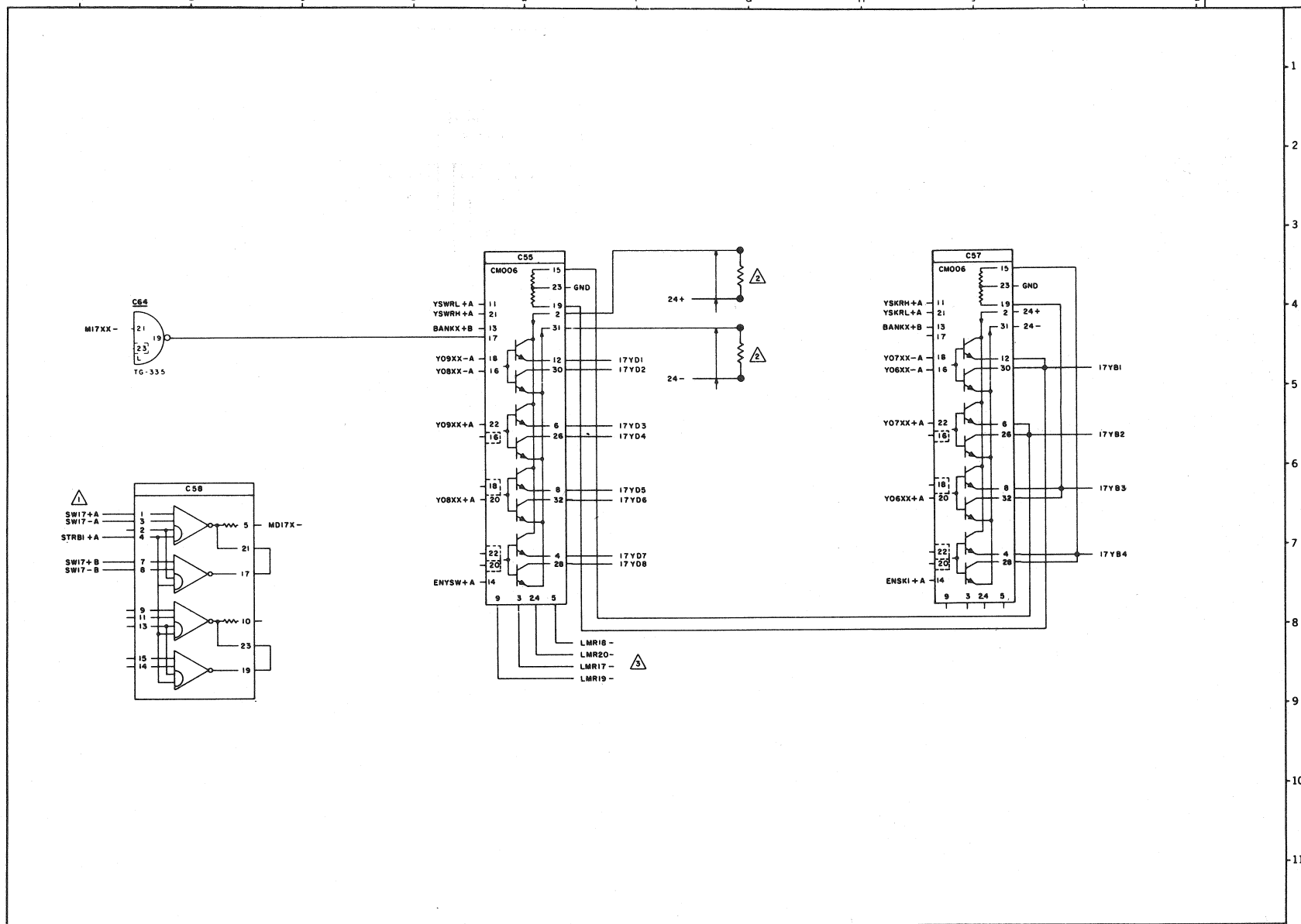
 DR. A. KURTZER DATE 8/11/66

 ENG. R. W. FLETCHER 8/11/66

 APP. J. J. ... 8/17/66

 PROJECT NO. 55217

TITLE	DATA CHANNEL	REV.
	BITS 15 AND 16	A
SIZE	DWG NO.	
C	015425	



- △ FOR 4096 WORD MEMORY CMO33 REPLACES CMO32
- △ 5 WATT RESISTOR (MOUNTED ON RESISTOR PLATE)
- △ 1/4 WATT RESISTOR (MOUNTED ON BACK PLANE)

REVISIONS	A
S.R. 64-1264	A

COMPUTER CONTROL COMPANY, INC.

 FRAMINGHAM MASS. LOS ANGELES 64 CALIF.

 DR. A. KURTZER DATE 8/4/66

 ENG. A. W. FELDMAN 8/17/66

 APP. [Signature] 8/17/66

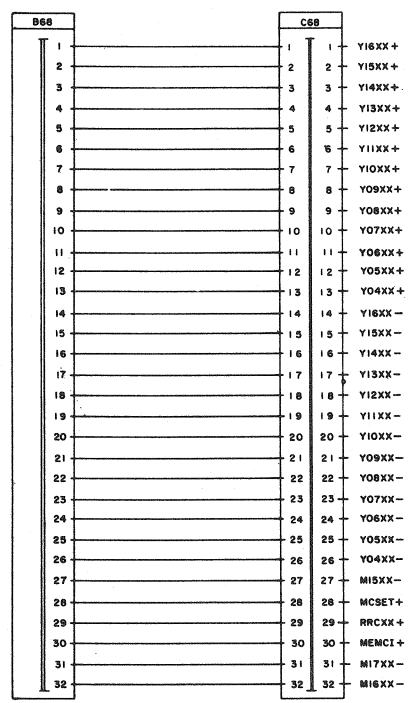
 PROJECT NO. 55217

TITLE		DATA CHANNEL	
		BIT 17	
SIZE	DWG NO.	REV.	
C	015426	A	

A B C D E F G H J K L

1
2
3
4
5
6
7
8
9
10
11

C67	
1	M01XX-
2	M02XX-
3	M03XX-
4	M04XX-
5	M05XX-
6	M06XX-
7	M07XX-
8	M08XX-
9	M09XX-
10	M10XX-
11	M11XX-
12	M12XX-
13	M13XX-
14	M14XX-
15	BANKX-
16	MD17X-
17	MD01X-
18	MD02X-
19	MD03X-
20	MD04X-
21	MD05X-
22	MD06X-
23	MD07X-
24	MD08X-
25	MD09X-
26	MD10X-
27	MD11X-
28	MD12X-
29	MD13X-
30	MD14X-
31	MD15X-
32	MD16X-



REVISIONS	E
S.R. 64-1264	A

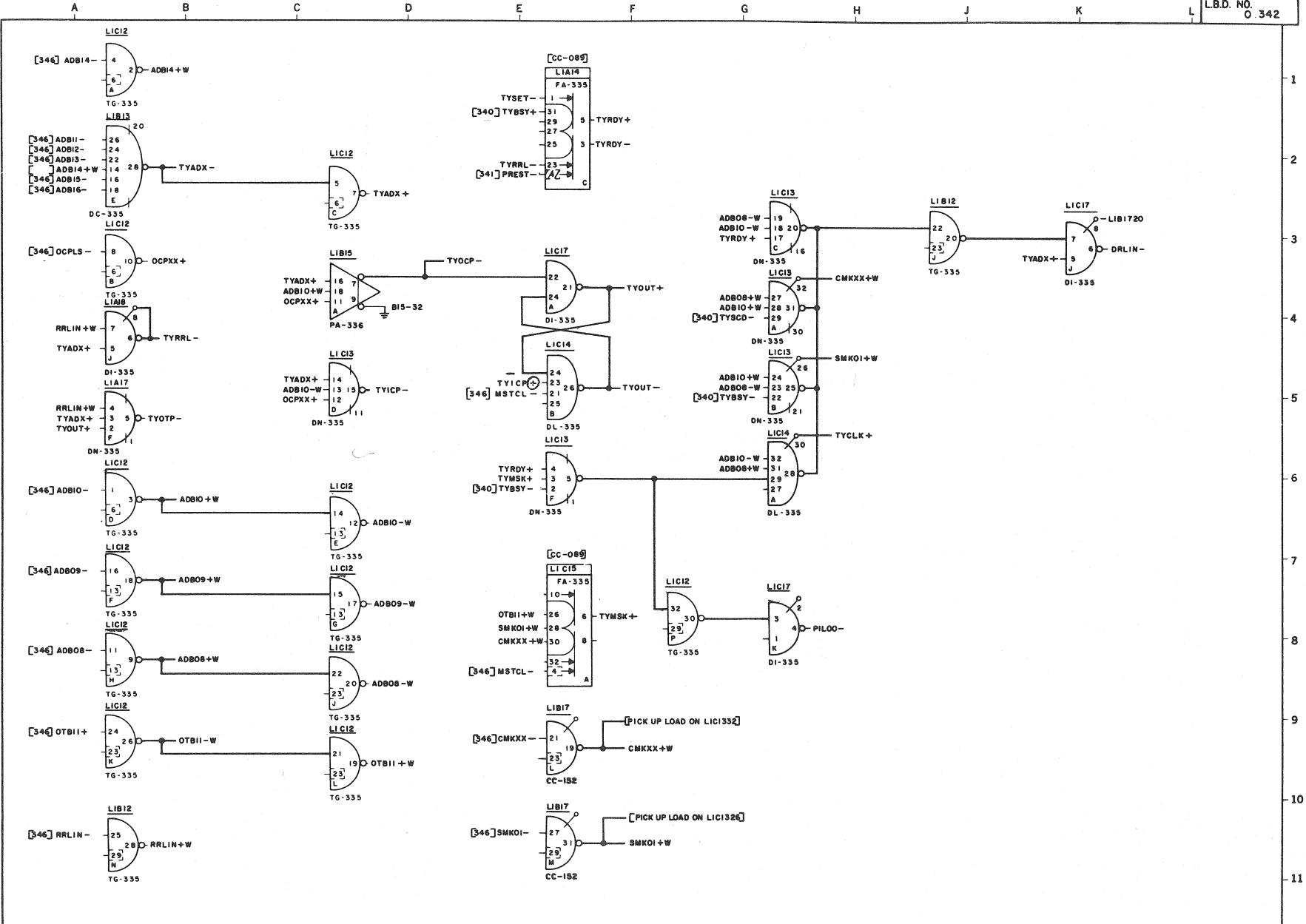
COMPUTER CONTROL COMPANY, INC.
FRAMINGHAM MASS. LOS ANGELES 64 CALIF.

DR. A. KURTZER DATE 8/1/66
 ENG. A. J. FLETCHER 8/1/66
 APP. S. J. ... 8/1/66

PROJECT NO. 55217

TITLE
MEMORY I/O CABLES

SIZE DWG NO. REV.
C 015428 A



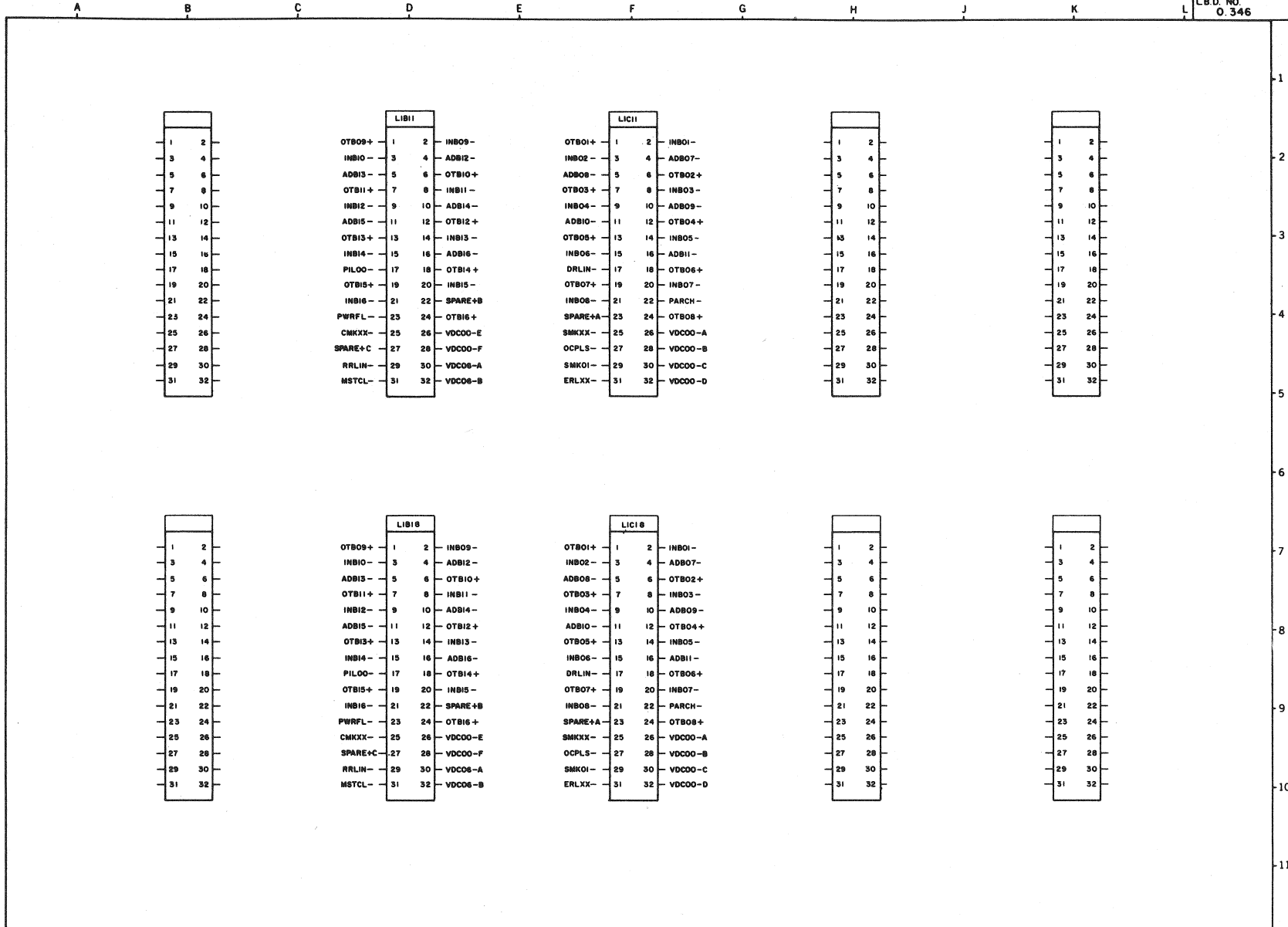
REV.	ECO 3778 B
CHK.	REDDAWN J.D.
EXT. CHANGES	ECO 3990 1/27/67
EXT. CHANGES	ECO 4084 D
EXT. CHANGES	ECO 4058 E
EXT. CHANGES	ECO 5906 F

HONEYWELL IN C. COMPUTER CONTROL DIVISION Old Connecticut Path, Framingham, Mass.		TITLE ADDRESS AND SKS ASR 33/35 DDP-516-56	
DR.	J. THAYER	DATE	7/2/68
ENG.	J. THAYER		9/27/68
APP.	J. THAYER		9/27/68
PROJECT NO.	55242	SIZE	C
DWG NO.	015858	REV.	F

	A	B	C	D	E	F	G	H	J	K	L	M	N	P		
4	LOC	PAC	A	B	C	D	E	F	G	H	J	K	L	M	N	P
	8															
	7															
	6															
3	LOC	PAC	A	B	C	D	E	F	G	H	J	K	L	M	N	P
	8															
	7															
	6															
2	LOC	PAC	A	B	C	D	E	F	G	H	J	K	L	M	N	P
	8															
	7															
	6															
1	LOC	PAC	A	B	C	D	E	F	G	H	J	K	L	M	N	P
	8	DI-335	X	X	X	X	X	X	X	X	X	X	X	X	X	X
	7	DN-335	X	X	X	X	X	X	X	X	X	X	X	X	X	X
	6	CC057	X													
A																
4	LOC	PAC	A	B	C	D	E	F	G	H	J	K	L	M	N	P
	8															
	7															
	6															
3	LOC	PAC	A	B	C	D	E	F	G	H	J	K	L	M	N	P
	8															
	7															
	6															
2	LOC	PAC	A	B	C	D	E	F	G	H	J	K	L	M	N	P
	8															
	7															
	6															
1	LOC	PAC	A	B	C	D	E	F	G	H	J	K	L	M	N	P
	8	CONN														
	7	CC-152	X	X	X	X	X	X	X	X	X	X	X	X	X	X
	6	CC089	X	X	X	X	X	X	X	X	X	X	X	X	X	X
B																
4	LOC	PAC	A	B	C	D	E	F	G	H	J	K	L	M	N	P
	8															
	7															
	6															
3	LOC	PAC	A	B	C	D	E	F	G	H	J	K	L	M	N	P
	8															
	7															
	6															
2	LOC	PAC	A	B	C	D	E	F	G	H	J	K	L	M	N	P
	8															
	7															
	6															
1	LOC	PAC	A	B	C	D	E	F	G	H	J	K	L	M	N	P
	8	CONN														
	7	DI-335	X	X	X	X	X	X	X	X	X	X	X	X	X	X
	6	CC085	X	X	X	X	X	X	X	X	X	X	X	X	X	X
C																

REF. PAC COMP. A015653 LOCATION XX

REVISIONS 1. <i>[Signature]</i> 2. <i>[Signature]</i> 3. <i>[Signature]</i>	EXT CHANGES 1/2/87 <i>[Signature]</i> 2/2/87 <i>[Signature]</i> 3/2/87 <i>[Signature]</i>	EXT. CHANGES SEE ECO #10 7/7/87 <i>[Signature]</i> SEE ECO #13 11/2/87 <i>[Signature]</i>	DATE 1/15/87 1/15/87	TITLE PAC ALLOCATION ASR 33/35 DDP-516-56	SIZE C	DWG NO. 015654	REV D
COMPUTER CONTROL COMPANY, INC. FRAMINGHAM, MASS / LOS ANGELES, CALIF.			DR. T. THAYER APP. <i>[Signature]</i>	PROJECT NO. 98242			

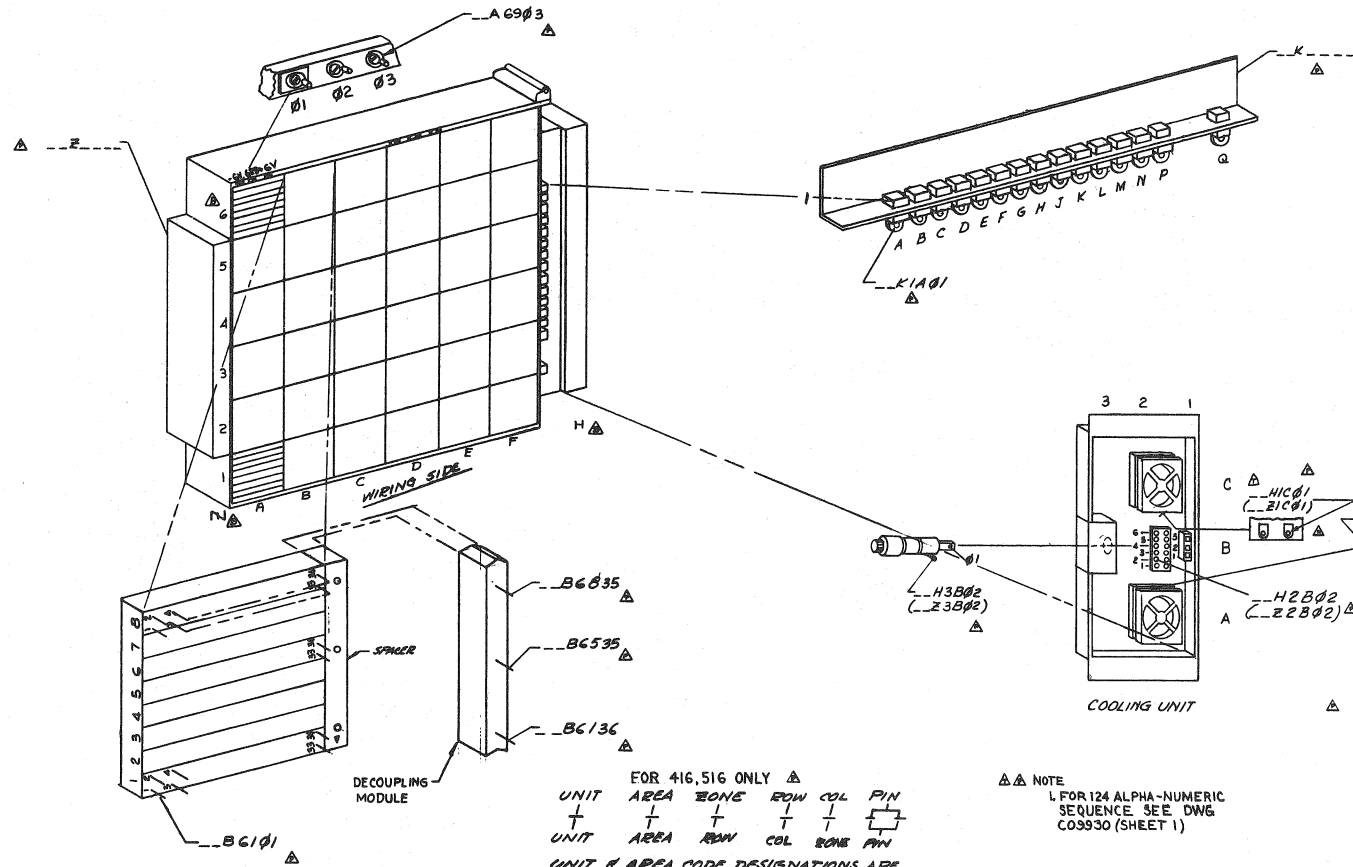


REV	REVISIONS	DATE
1	ECO 3880	1/27/67
2	EXT CHANGES	1/27/67
3	ECO 5058	1/27/67
4	EXT CHANGES	1/27/67
5	ECO 5058	1/27/67
6	EXT CHANGES	1/27/67

COMPUTER CONTROL COMPANY, INC FRAMINGHAM MASS LOS ANGELES 84 CALIF	
DR. J. THAYER	DATE
ENG. J. J. J.	1/16/66
APP. J. J. J.	8/15/66
PROJECT NO. 55242	

TITLE	
CONNECTORS	
ASR-33/35	
DDP-516-56	
SIZE	DWG NO.
C	015861
REV	REV
	C

REVISIONS				
REV	DESCRIPTION	DATE	APP BY	DATE



FOR 416.516 ONLY Δ

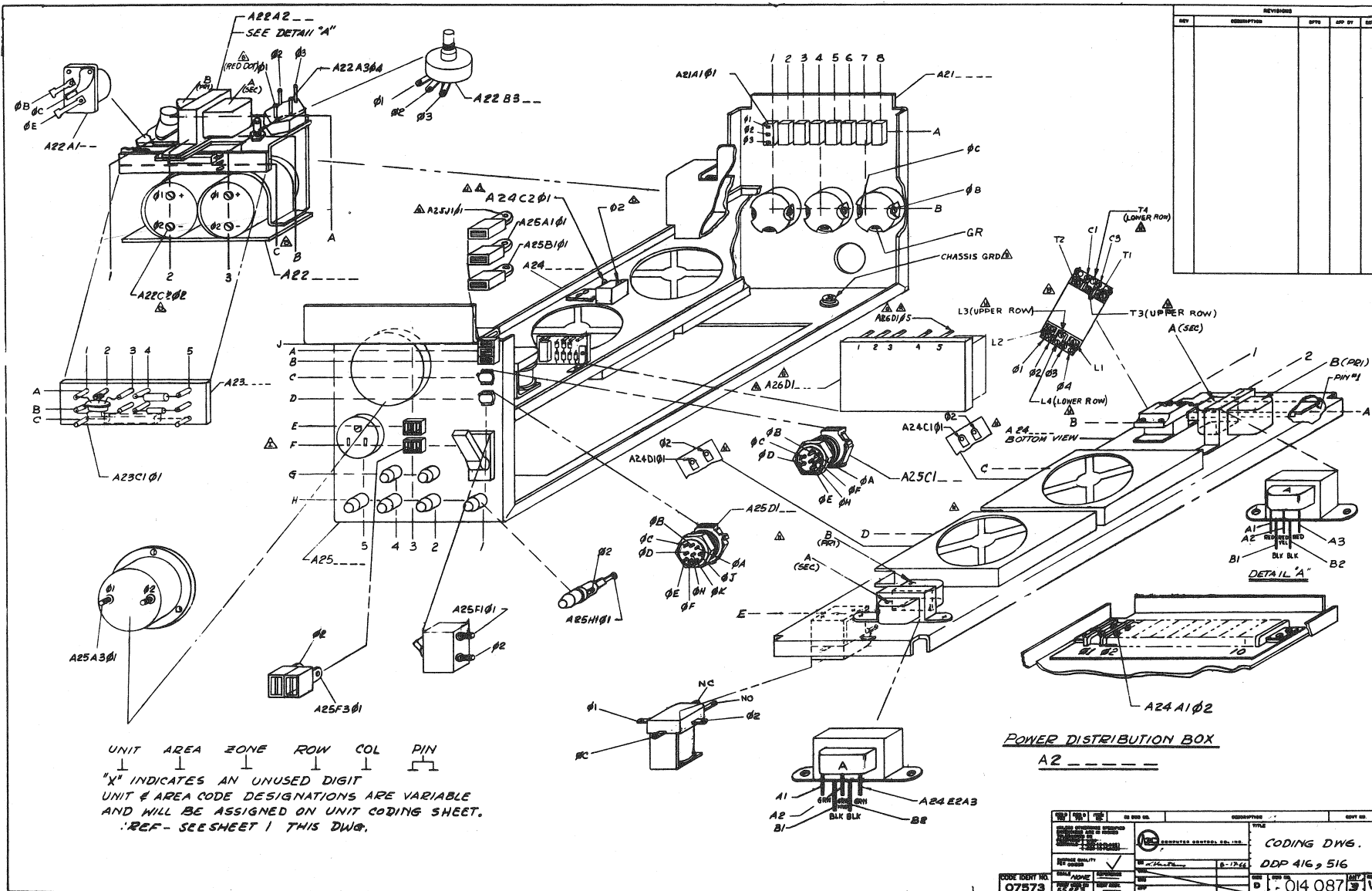
UNIT	AREA	ZONE	ROW	COL	PIN
+	+	+	+	+	+
UNIT	AREA	ROW	COL	ZONE	PIN

UNIT & AREA CODE DESIGNATIONS ARE VARIABLE AND WILL BE ASSIGNED PER INDIVIDUAL CODING SHEET- REF: SEE SHEET 1 THIS DWG.

Δ Δ NOTE
L FOR 124 ALPHA-NUMERIC SEQUENCE SEE DWG C09930 (SHEET 1)

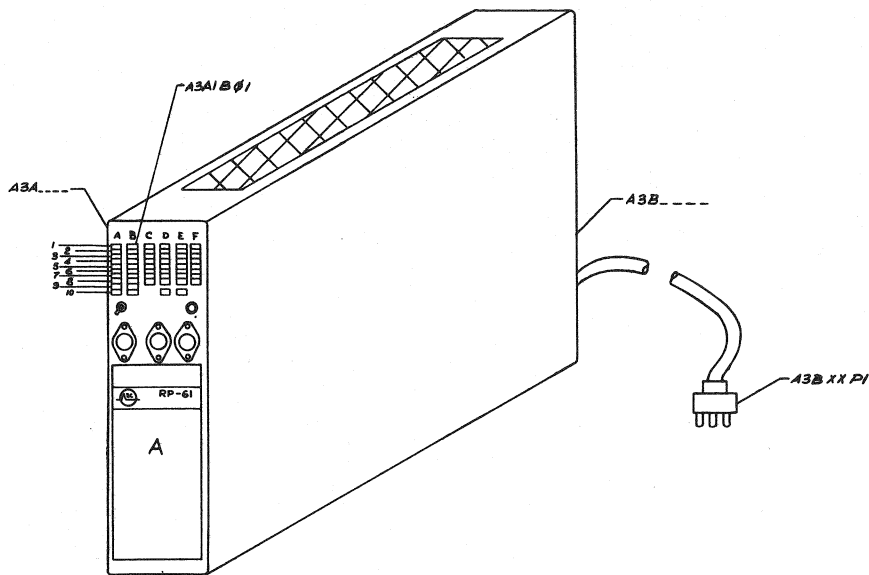
Δ 416.516 CENTRAL PROCESSOR
A1
124 1ST OIU
L1
124 2ND OIU
L2

DATE	REV	BY	NO	DESCRIPTION	DATE
TITLE CODING DRAWING			PROJECT NO. DDP-416,516		
DRAWN BY 124 OPTION DRAWER			CHECKED BY 		
SCALE 			DATE 		
CODE IDENT NO. 07573			SHEET NO. 		



TITLE CODING DWG.	PART NO. DDP 416, 516
DRAWN BY B-12-62	CHECKED BY D-014 087
DATE 11/14/62	SCALE 1:1
MATERIAL ALUMINUM	FINISH ANODIZED
QUANTITY 1	UNIT EA

REVISIONS				
REV	DESCRIPTION	DATE	BY	CHKD

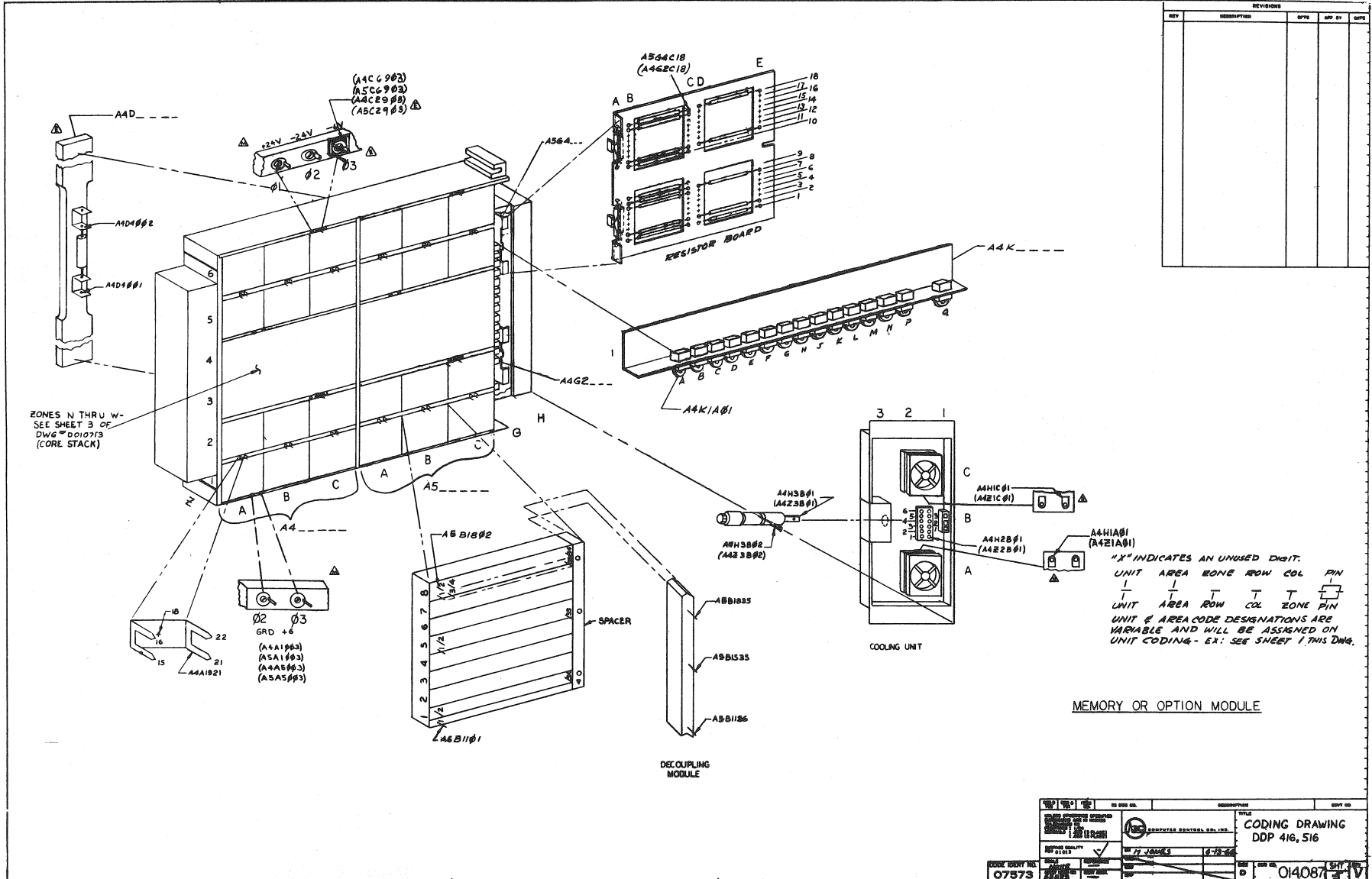


UNIT AREA ZONE ROW COL PIN
 1 1 1 1 1 1
 "X" INDICATES AN UNUSED DIGIT
 UNIT & AREA CODE DESIGNATIONS ARE VARIABLE
 AND WILL BE ASSIGNED ON UNIT CODING
 SHEET, REF.: SEE SHEET 1 THIS DWG.

POWER SUPPLY RP-61

A3 - - - - -

CODE IDENT NO 07573	TITLE CODING DWG DDP-416, 516
DATE 014 087	SHEET NO 4
DRAWN BY ...	CHECKED BY ...
APPROVED BY ...	DATE ...



REVISIONS				
REV	DESCRIPTION	DATE	APP BY	CHKD

"X" INDICATES AN UNUSED DIGIT.

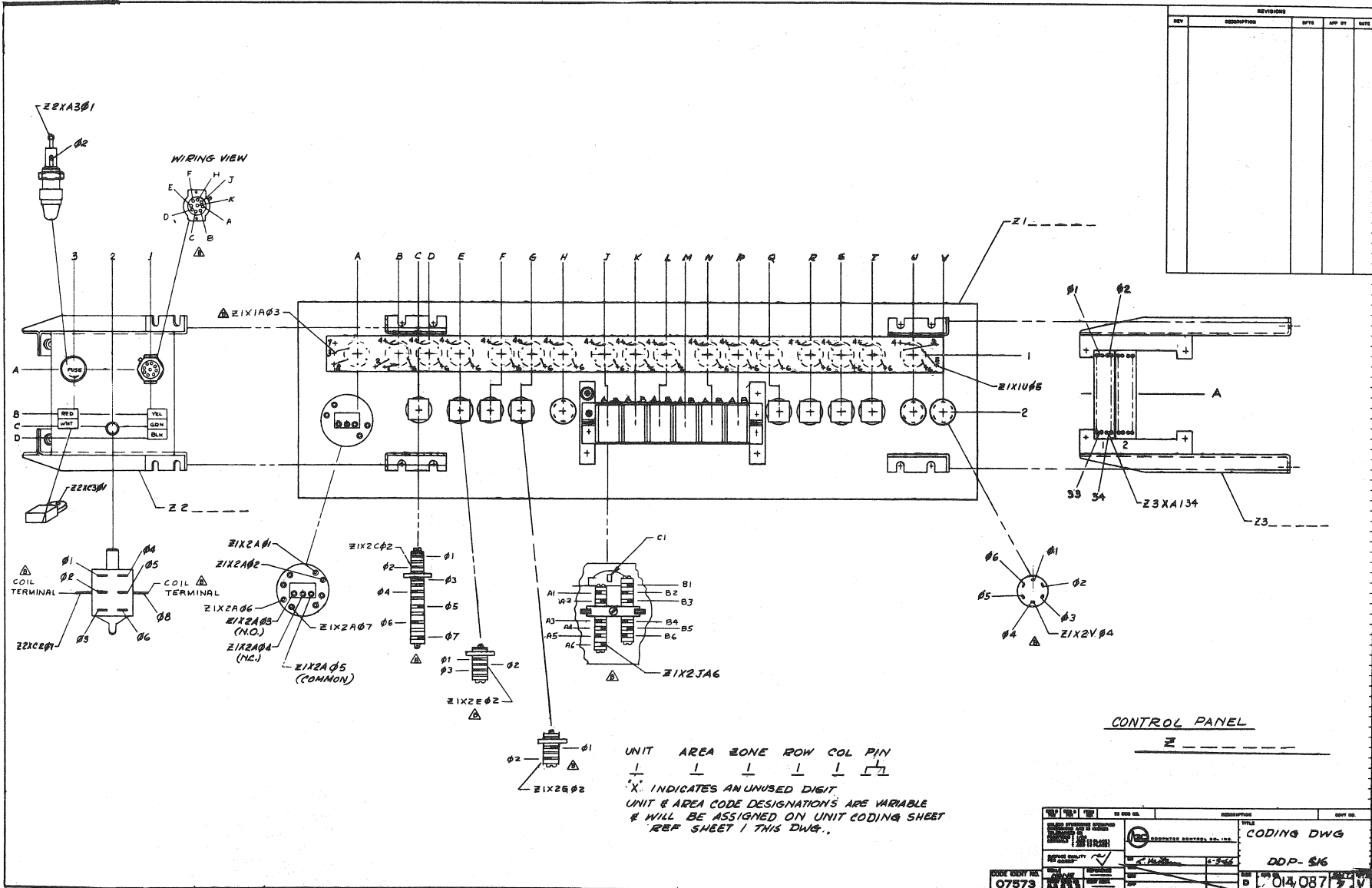
UNIT	AREA	ZONE	ROW	COL	PIN
T	T	T	T	T	T
UNIT	AREA	ROW	COL	ZONE	PIN

UNIT & AREA CODE DESIGNATIONS ARE VARIABLE AND WILL BE ASSIGNED ON UNIT CODING - EX: SEE SHEET 1, THIS DWG.

MEMORY OR OPTION MODULE

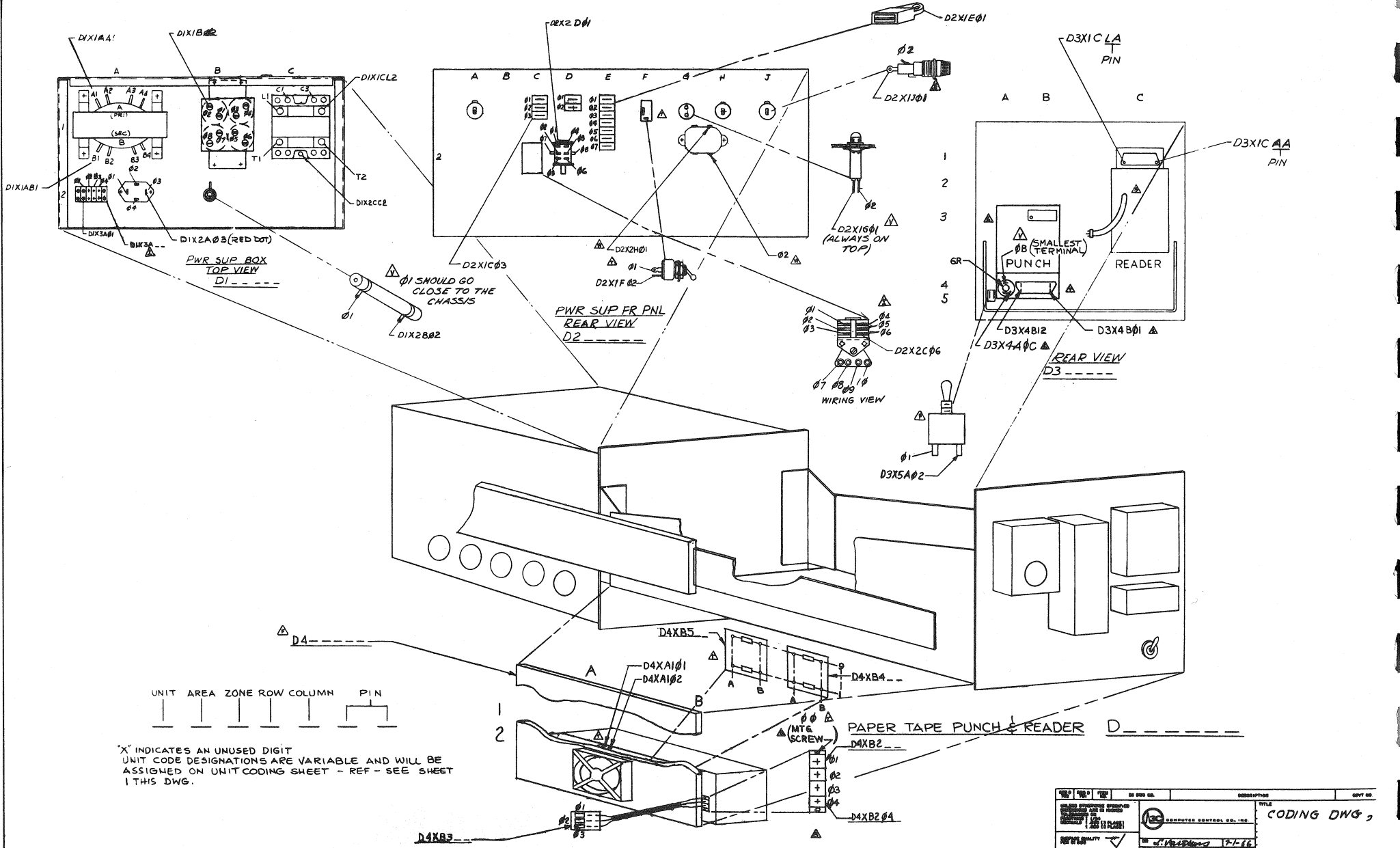
	TO: 000 00 FROM: 000 00 TITLE: CODING DRAWING DDP 416, 516 DATE: 6-28-66 BY: JY JONES CHECKED: JY JONES APPROVED: JY JONES CODE IDENT. NO.: 07573	DESCRIPTION: CODING DRAWING DDP 416, 516 DATE: 6-28-66 BY: JY JONES CHECKED: JY JONES APPROVED: JY JONES CODE IDENT. NO.: 014087	REV. NO. 1
--	---	--	---------------

REVISIONS				
REV	DESCRIPTION	DATE	APP BY	NOTE



07573	014087	014087	014087	014087
CODING DWG		DDP-56		

REVISIONS			
REV	DESCRIPTION	DATE	APP BY

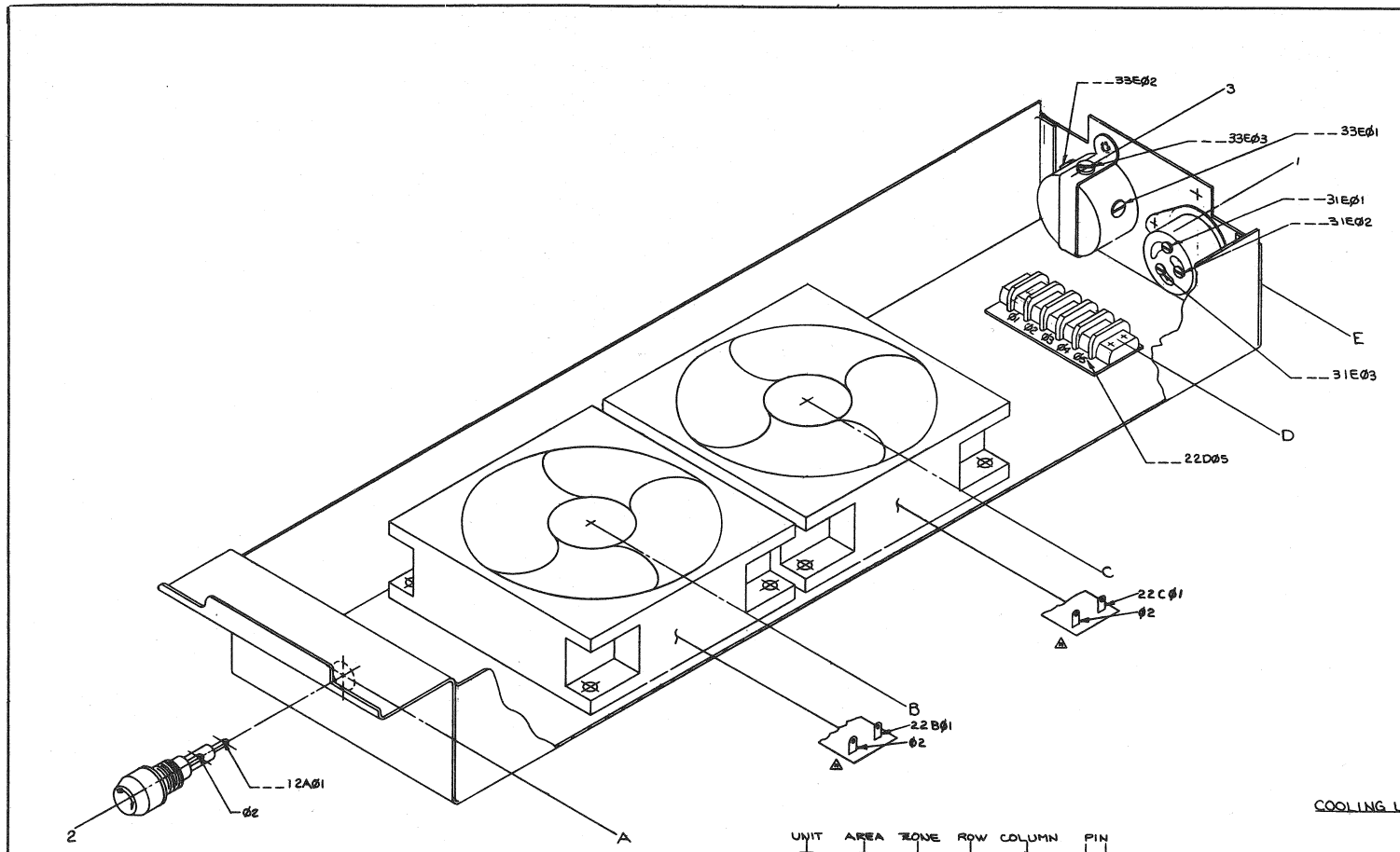


UNIT AREA ZONE ROW COLUMN PIN

'X' INDICATES AN UNUSED DIGIT
 UNIT CODE DESIGNATIONS ARE VARIABLE AND WILL BE
 ASSIGNED ON UNIT CODING SHEET - REF - SEE SHEET
 1 THIS DWG.

07573 NONE 85	NONE NONE NONE	7-7-66 11-2-68	TITLE CODING DWG	SHEET NO. 04087
---------------------	----------------------	-------------------	----------------------------	---------------------------

REVISIONS				
REV	DESCRIPTION	QPTS	APP BY	DATE

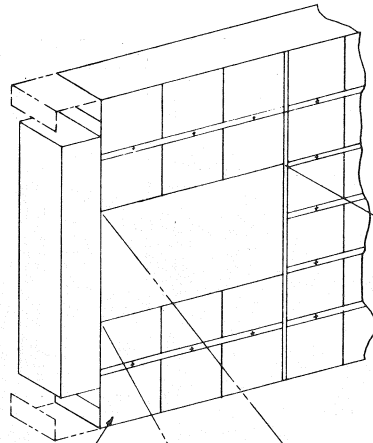


UNIT AREA TONE ROW COLUMN PIN

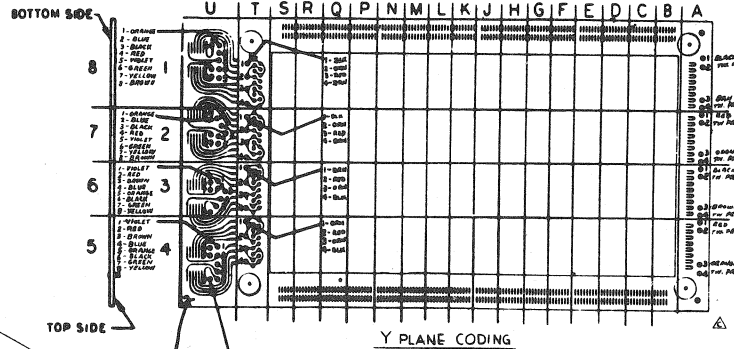
"X" INDICATES AN UNUSED DISET
 UNIT & AREA CODE DESIGNATIONS ARE
 VARIABLE AND WILL BE ASSIGNED PER
 INDIVIDUAL CODING SHEET - REF: SEE
 SHEET ONE OF THIS DWG.

COOLING UNIT B6
 CG

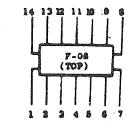
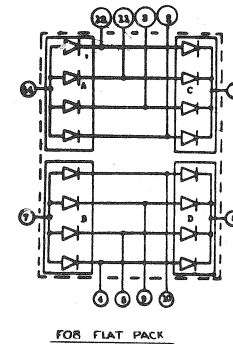
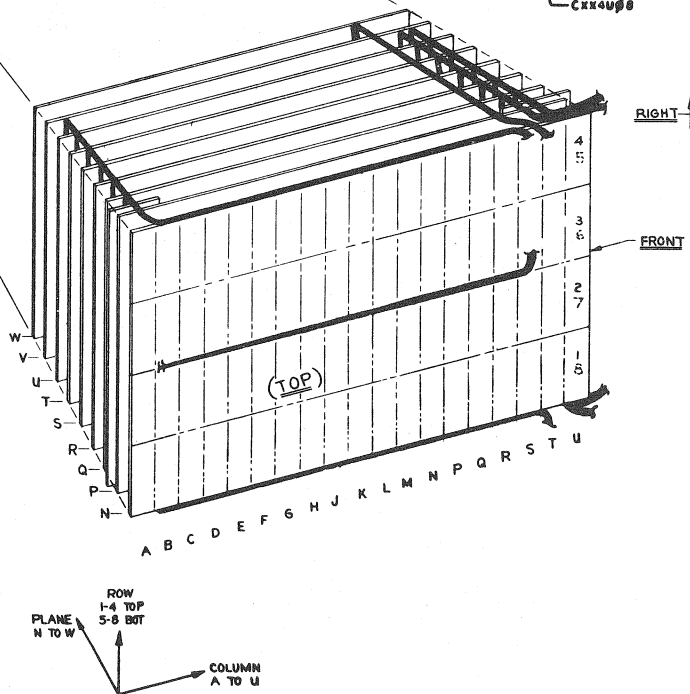
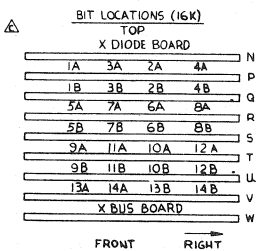
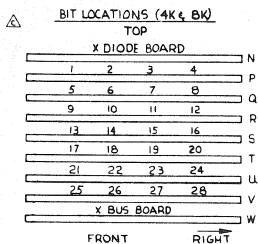
<small>UNLESS OTHERWISE SPECIFIED DIMENSIONS OF ALL PARTS ARE TO BE IN INCHES DECIMALS 2 AND 3 PLACES FRACTIONS 16 AND 32</small>	<small>QUALITY CONTROL</small> <input checked="" type="checkbox"/>	<small>INSPECTION</small> <input checked="" type="checkbox"/>	<small>DATE</small> 11-18-64	<small>REFERENCE</small> 07873	<small>DESIGN</small> 07873	<small>APP. COMPONENT ASSY</small> 07873	<small>QC DWG NO.</small> 07873	<small>DESCRIPTION</small> HONEYWELL COMPUTER CONTROL DIVISION 810 CONSUMERS PARK, FARMINGDALE, N.Y.	<small>TITLE</small> CODING DWG	<small>GOVT NO.</small>
<small>SURFACE QUALITY</small> PER SPEC	<small>BY</small> [Signature]	<small>DATE</small> 11-18-64	<small>BY</small> [Signature]	<small>DATE</small> 11-18-64	<small>BY</small> [Signature]	<small>DATE</small> 11-18-64	<small>BY</small> [Signature]	<small>DATE</small> 11-18-64	<small>BY</small> [Signature]	
<small>CODE IDENT NO.</small> 07873	<small>SIZE</small> D	<small>DWG NO.</small> 014087	<small>SHEET</small> 9	<small>APP.</small> [Signature]	<small>DATE</small> 11-18-64	<small>BY</small> [Signature]	<small>DATE</small> 11-18-64	<small>BY</small> [Signature]	<small>DATE</small> 11-18-64	



(PAC LOC A1)



REVISIONS			
REV	DESCRIPTION	DATE	BY



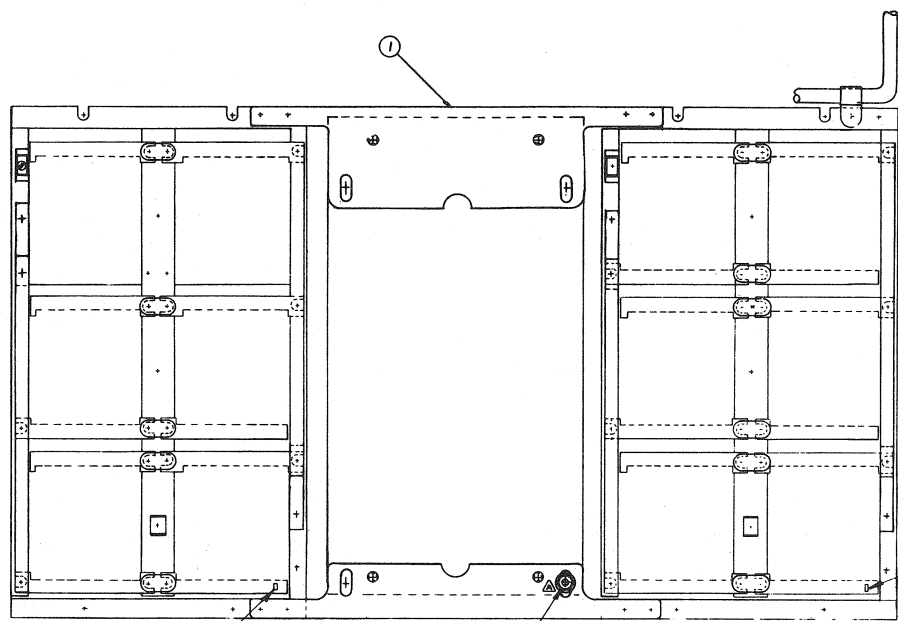
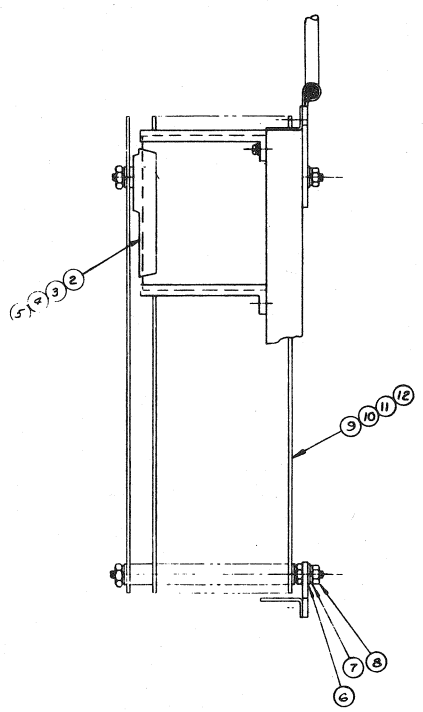
NOTES:

- FOR STACKS WITH FEWER PLANES, REMOVE PLANE V, PLANES U & V, ETC.
- FOR ADDITIONAL INFORMATION SEE 3C PURCHASE SPEC NO. 10 232.

CORE STACK

DATE	BY	REV	DESCRIPTION	COPY NO.
			CODING DRAWING	
KCM-40			10-23-53	
07573			010 713	

REVISIONS				
REV	DESCRIPTION	DATE	APP BY	DATE
1	RELEASED TO FILE	1/27/54	PS	1/27/54
A	EXT. CHGS. AND RELEASED / ECO 3255 8/27/54	8/27/54	SC	8/27/54
B	EXT CHGS / ECO 3242 2/2/55	2/2/55	TR	2/2/55



PIN #1 REF
ALL CONN POS
CAUTION

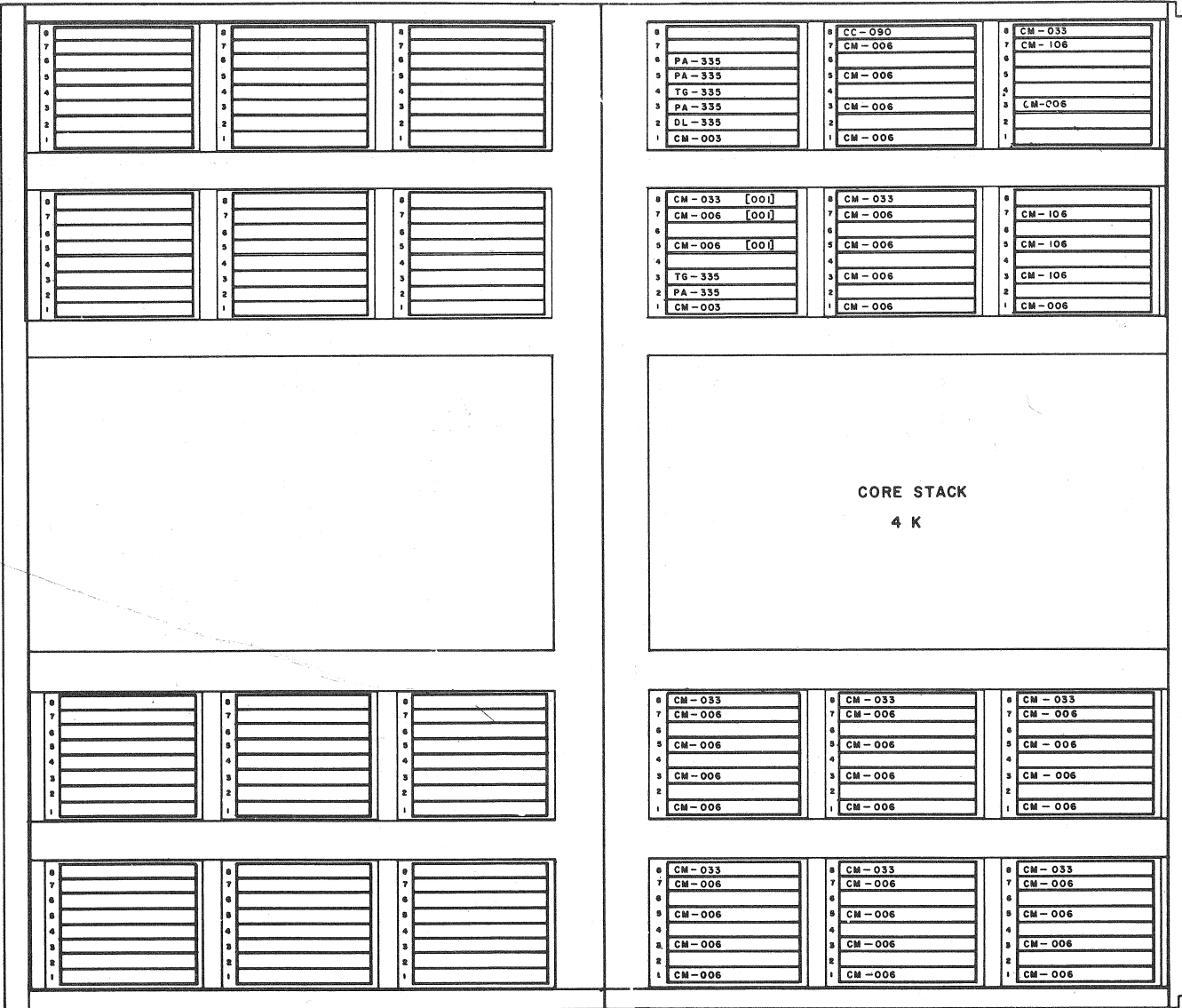
CENTER ITEMS 9 THRU 12 APPROX
IN CENTER OF MOUNTING SLOTS AS
SHOWN WHEN ASSEMBLING TO ITEM 1, 1/16

PIN #1 REF
ALL CONN POS
CAUTION

PO3005 PARTS LIST		DESCRIPTION		TITLE		DWG NO	
REV	DATE	BY	CHKD	REV	DATE	BY	CHKD
07573	2/2/55	JH	PS	1	1-24-54	JH	PS
<p>MEMORY MODULE ASSY</p>				<p>013 005</p>			

A B C D E F G H J K L

A5 A4 C B A



1
2
3
4
5
6
7
8
9
10
11

REFERENCE PAC COMPLEMENT A009705

NOTES:
001 ALL PACS (PARITY)
002 ALL PACS EXCEPT THOSE INDICATED 001 (NO PARITY)

CHK	REVISIONS	REV	DATE
	TAKEN FROM	A	
	SR#	64-1476	
	BY	<i>[Signature]</i>	1/18/67
	EXT. CHANGES	428/EX 1.5	
	ECO 4689		1-27
	EXT. CHANGES	SEE ECO	
		F.D.	7/10/67

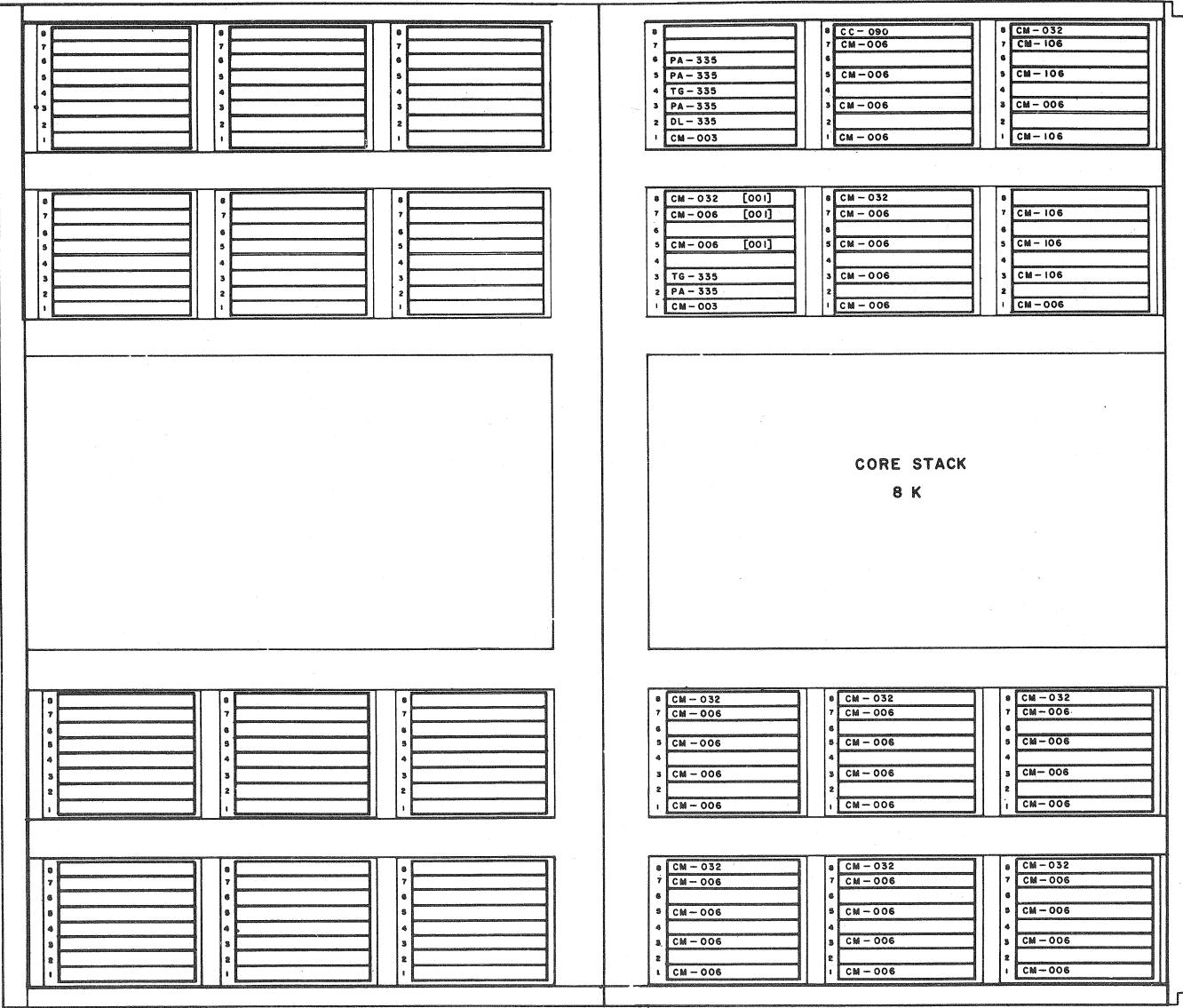
HONEYWELL
I N C.
COMPUTER CONTROL DIVISION
Old Connecticut Path, Framingham, Mass.

DR. *[Signature]* DATE
ENG. *[Signature]* 1-18-67
APP. *[Signature]* 1-18-67
PROJECT NO. 55215

TITLE	PAC ALLOCATION A4/A5
	4K TILT OUT
SIZE	DWG NO.
C	017110
REV.	C

A B C D E F G H J K L

A5 A4 C B A



1
2
3
4
5
6
7
8
9
10
11

CORE STACK
8 K

REFERENCE PAC COMPLEMENT A009705

NOTES:
001 ALL PACS (PARITY)
002 ALL PACS EXCEPT THOSE INDICATED 001 (NO PARITY)

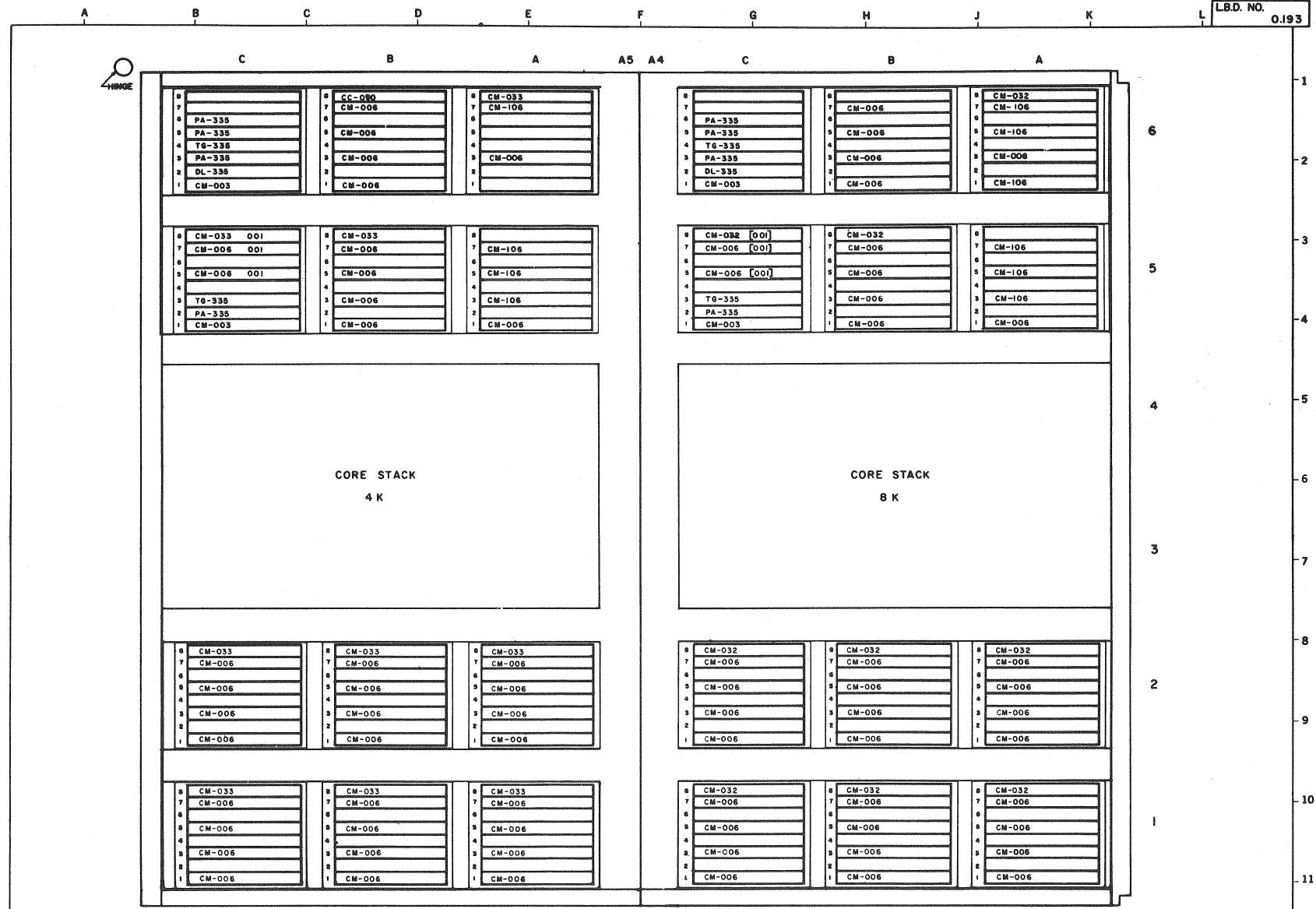
CHK	REV	REVISIONS
	1	TAKEN FROM A
	2	SR # 64-1476
	3	SR # 64-1476
	4	SR # 64-1476
	5	SR # 64-1476
	6	SR # 64-1476
	7	SR # 64-1476
	8	SR # 64-1476
	9	SR # 64-1476
	10	SR # 64-1476
	11	SR # 64-1476

HONEYWELL
I N C.
COMPUTER CONTROL DIVISION
Old Connecticut Path, Framingham, Mass.

DR. *[Signature]* DATE
ENG. *[Signature]* 1-13-67
APP. *[Signature]* 1-13-67

PROJECT NO. 55215

TITLE	SIZE	DWG NO.	REV.
PAC ALLOCATION A4/A5 8K TILT OUT	C	017111	C



NOTES:
 001 ALL PACS (PARITY)
 002 ALL PACS EXCEPT THOSE INDICATED 001 (NO PARITY)

CHK	REVISIONS	REV
1	TAKEN FROM A	
2	SR 64-1476	
3	SEC 64-1476	
4	ECO 4895	
5	ECO 4895	
6	ECO 4895	
7	ECO 4895	
8	ECO 4895	
9	ECO 4895	
10	ECO 4895	
11	ECO 4895	

REFERENCE PAC COMPLEMENT A 009705

HONEYWELL
 I H C.
 COMPUTER CONTROL DIVISION
 Old Connecticut Path, Framingham, Mass.

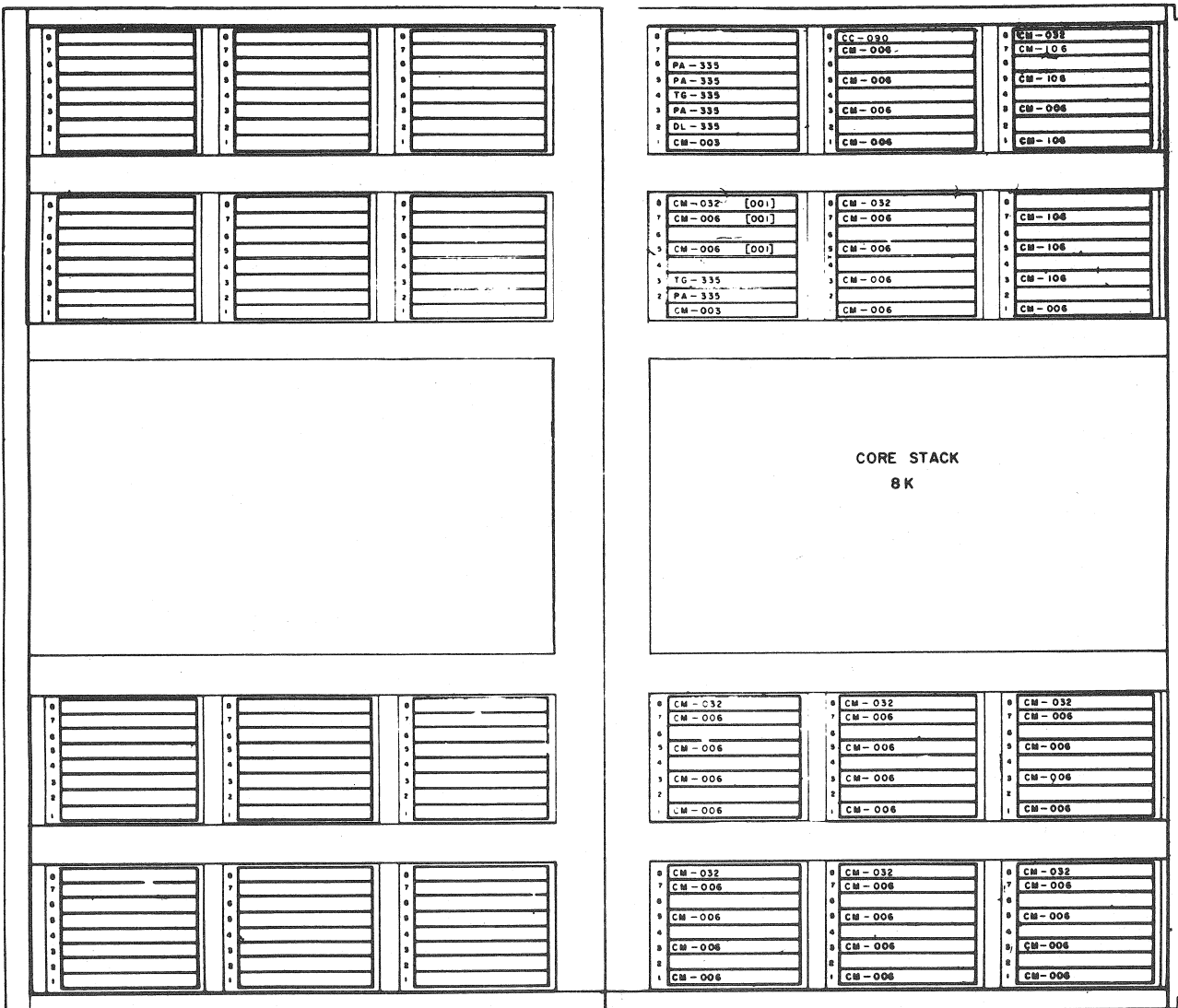
DR. *A. K. ...* DATE
 ENG. *A. K. ...* 1-18-67
 APP. *A. K. ...* 1-13-67

PROJECT NO. 55215

TITLE	SIZE	DWG NO.	REV.
PAC ALLOCATION A4/A5 12K TILT OUT	C	017112	C

A B C D E F G H I J K L

B1 B2 C B A



REFERENCE PAC COMPLEMENT A009705

NOTES
 001 ALL PACS (PARITY)
 202 ALL PACS EXCEPT THOSE INDICATED 001 (NO PARITY)

REV. NO.	1
TAKEN FROM	A
DATE	6-14-76
EXT. CHANGES	10/2/77
SEE ECO	1-3-62
DATE	10/17/67

HONEYWELL
 COMPUTER CONTROL DIVISION
 Old Connecticut Path, Framingham, Mass.

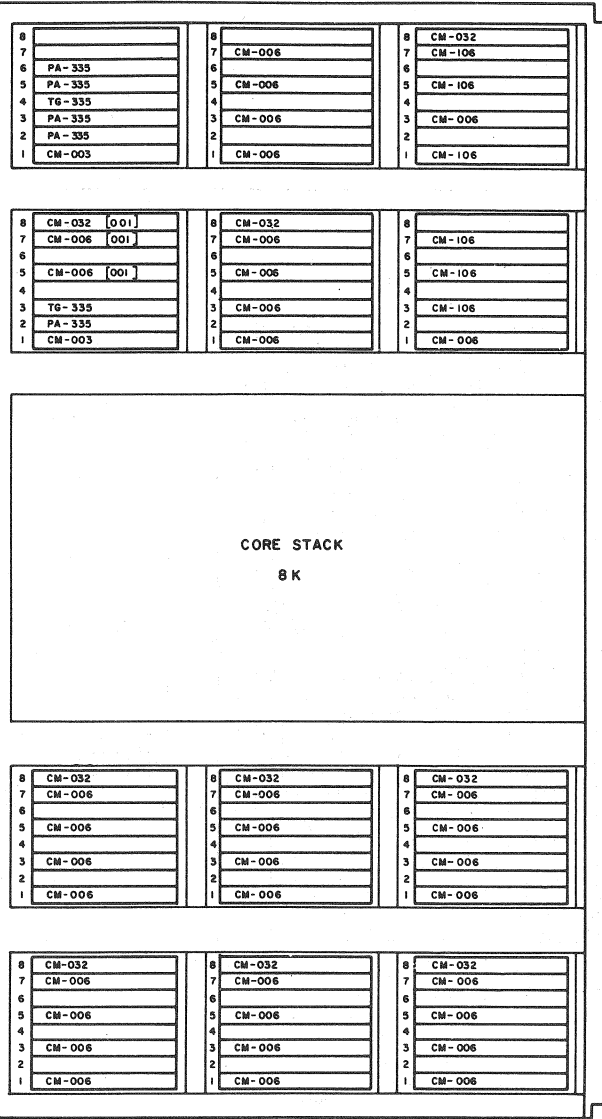
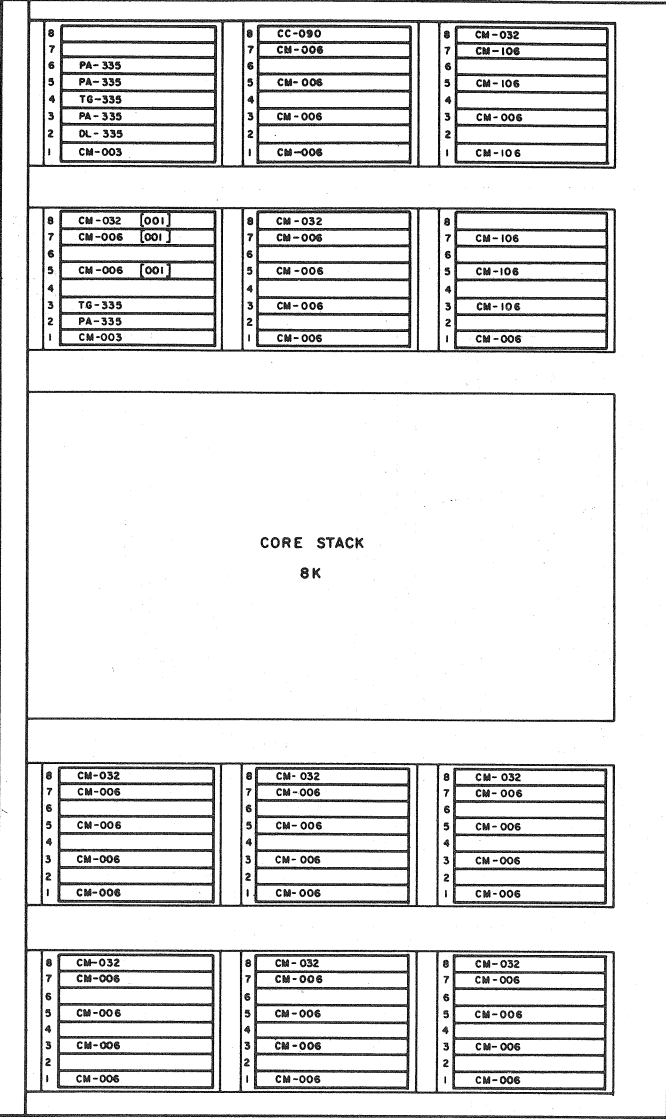
DR. *[Signature]* DATE 1-18-67
 ENG. *[Signature]* DATE 1-18-67
 APPT. *[Signature]* DATE 1-18-67

PROJECT NO. 55215

TITLE	PAC ALLOC B1/B2 8K TILT OUT	
SIZE	DWG NO.	REV.
C	017114	B

A B C D E F G H J K L M N P

B1 B2



6
5
4
3
2
1

REFERENCE PAC COMPLEMENT A009705

- NOTES:
- △ 001 ALL PACS (PARITY)
 - △ 002 ALL PACS EXCEPT THOSE INDICATED 001 (NO PARITY)
 - △
 - △

CHK	REVISIONS	REV.	TAKEN FROM	A
			SR. NO. 54 1476	1/3/67
			T.L. RICHARDSON	1/3/67
			J. DESANTIS	1/13/67
			ECO 4895	B
			EXT. CHANGES 10/22/67	
			SEE ECO DMH.	
			R.A. BARELLA	10/17/67

HONEYWELL
PAC ALLOCATION B1/B2
16K TILT OUT

COMPUTER CONTROL DIVISION
Old Connecticut Path, Framingham, Mass.

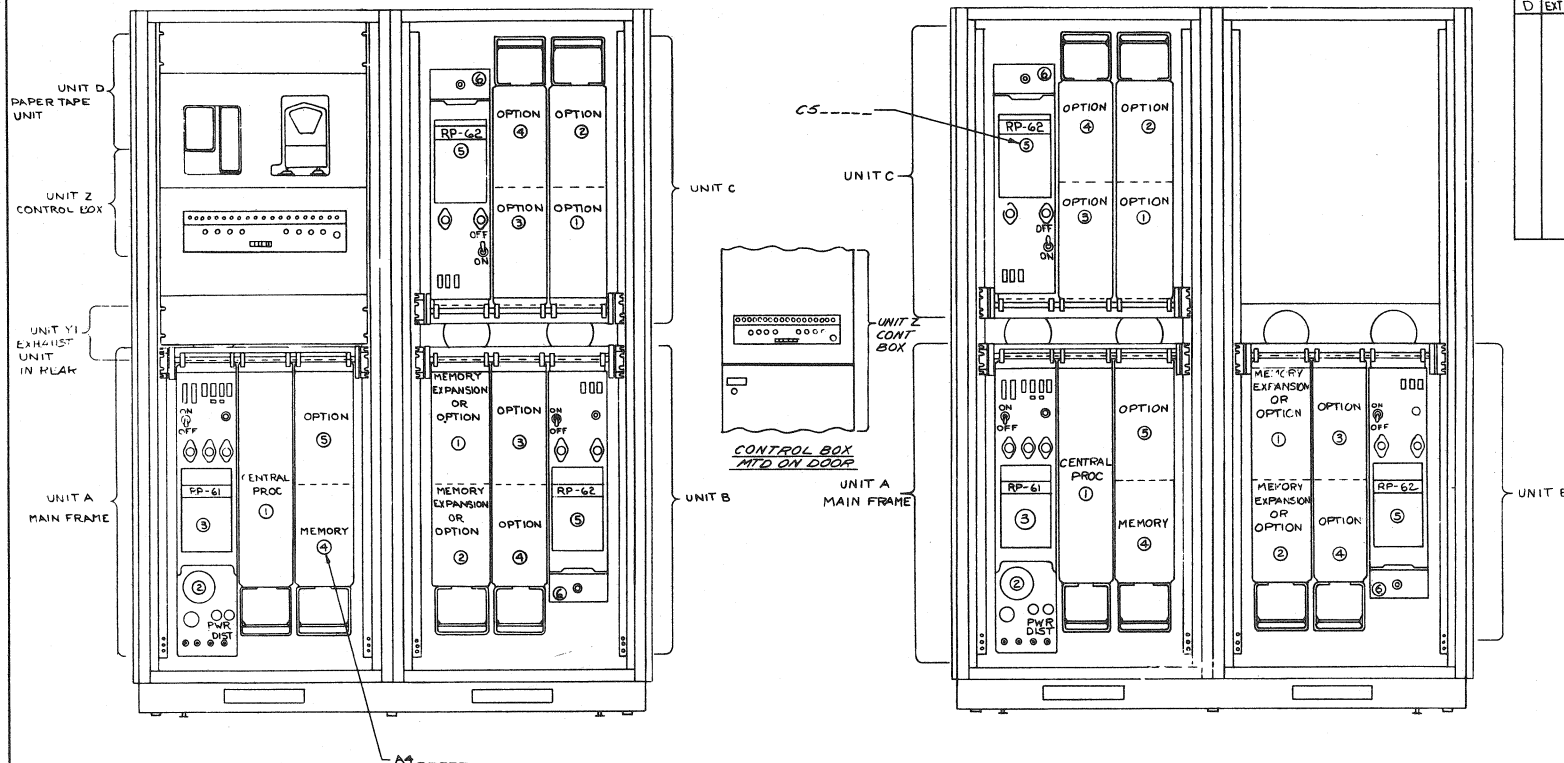
DR. A. KURTZER DATE 1/13/67
ENG. [Signature] DATE 1/13/67
APP. [Signature] DATE 1/13/67
PROJECT NO. 55215

TITLE	PAC ALLOCATION B1/B2
	16K TILT OUT
SIZE	C
DWG NO.	017115
REV.	B

SYSTEM WITH PAPER TAPE

SYSTEM WITHOUT PAPER TAPE

REVISIONS				
REV	DESCRIPTION	DFG	APP BY	DATE
A	TAKEN FROM LAYOUT #0019434 & #0019435	#	#	#
B	EXT CHG/ECD L5528	11-15-68	J. J.	11-15-68
C	RELEASED ECD L5598	11-16-68	J. J.	11-16-68
D	EXT CHG/ECD L5619	11-16-68	J. J.	11-16-68



NOTES

1. ALPHA SEQUENCE: ABCDEFGHJKLMNP QRSTUVYZ
2. NUMERICAL SEQUENCE: 0123456789
3. X INDICATES AN UNUSED DIGIT
4. REFER TO DWG. NO. A020250701 FOR CODING BREAKDOWN OF EXHAUST UNIT IN REAR.
5. REFER TO DWG. NO. D014087000 FOR CODING BREAKDOWN OF REMAINING UNITS.

UNIT - I X
 AREA - Y
 ROW - 1 X
 COL - 1 D
 PIN - 1 T
 PIN - 1 T

DATE	REV	INT	XC DWG. NO.	DESCRIPTION	GOVT. NO.
				HONEYWELL	TITLE
				COMPUTER CONTROL DIVISION	CODING
				010 Concord Mall, Framingham, Mass.	516 N
SURFACE QUALITY		PR 1019742	CHK	DATE	BY
SCALE	TYPING	DATE	DATE	DATE	DATE
07873	3378	1005832	3-21-67	D	020350



Eigentum
Computer
Göttingen
Cabinett

INVENTAR-NR.
— 022