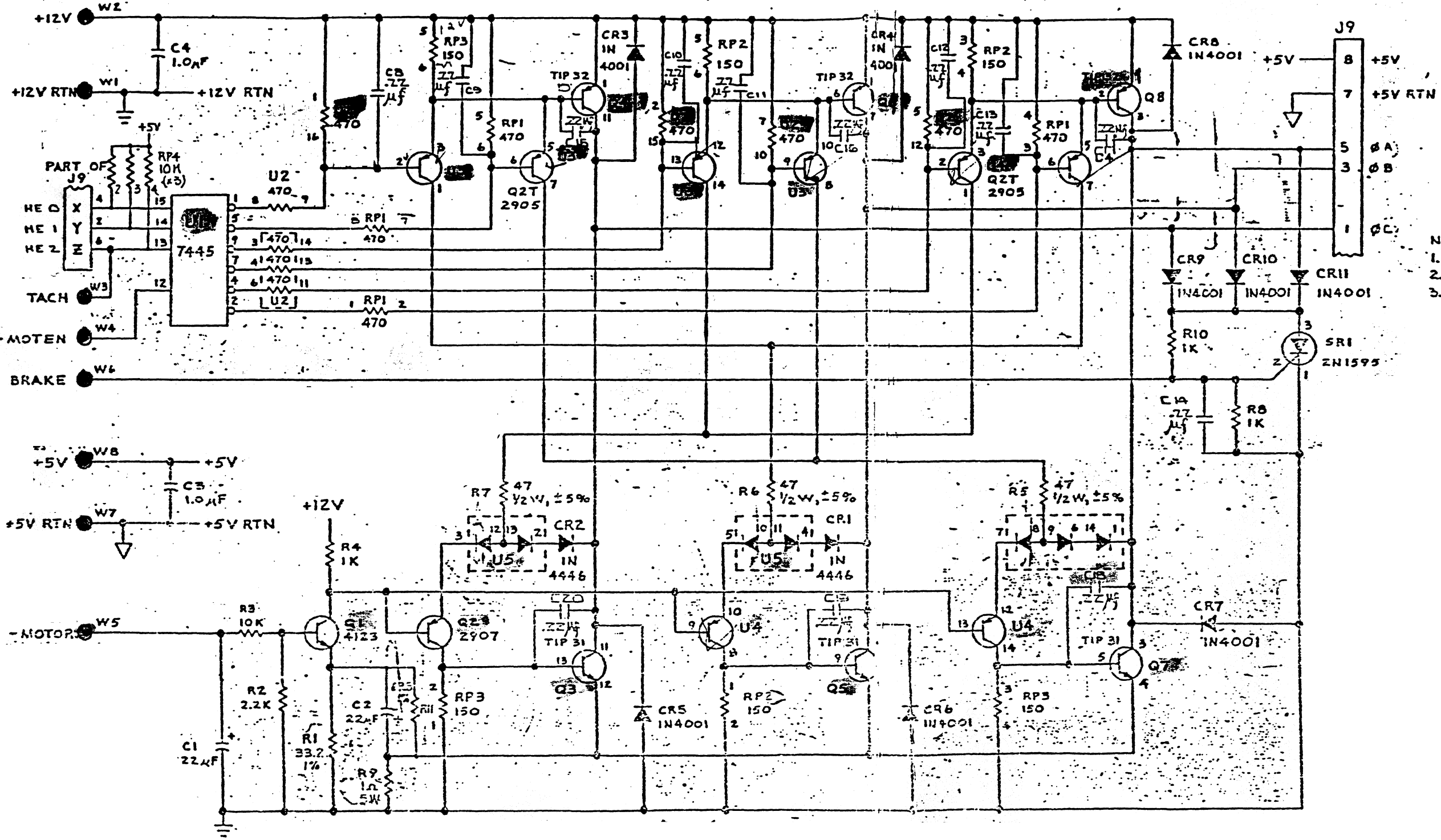


5 (N)	REVISED	BY	DATE
2			



NOTES: UNLESS OTHERWISE SPECIFIED
 1. REF 200369 ASSY. DWG.
 2. RESISTORS ARE IN OHMS, 1/4W, ± 5%.
 3. CAPACITORS ARE IN MICROFARADS, ± 10%.

UNLESS OTHERWISE SPECIFIED DIMENSIONS ARE IN INCHES FRACTIONS DECIMALS ANGLES BY ACTION OF CHANGING ANGLES 30° 45° 60° 90° 120° 150° 180°		REMOVE BURRS AND SHARP EDGES. ALL DIAMETERS OR CIRCULAR CENTERS TO BE CONCENTRIC WITH HOLE.		COMPUTER MEMORIES, INC.	
DRAWN		APPROVALS		DATE	
CHECKED		DATE		DATE	
REVISIONS		DATE		DATE	
200369	5000			SCHEMATIC: MOTOR CONTROL	
REV. 001	0000			200369	