

CONTROL DATA® 6600 COMPUTER SYSTEM

6601-H/J, 6604-A/B/C,
6613-A/B/C, 6614-A/B/C

Chassis 2

WIRE LISTS
Chassis Tabs

CONTROL DATA
CORPORATION

CUSTOMER ENGINEERING MANUAL

RECORD of REVISIONS

REVISION	NOTES
A (4-12-65)	This printing obsoletes all previous editions.
B	Publication Change Order 9850.
C	Publication Change Order 10946.
D	Publication Change Order 11469.
E	Field Change Order 12032. New Product Designation 6601-H13 and 6604-A13.
F	Field Change Order 11937. New Product Designation 6601-H11 and 6604-A11.
G	Field Change Order 12033 voided. Not applicable to this manual.
H (12-30-65)	Publication Change Order 12276 incorporates the modification of wire lengths to conform with production specifications, the correction to typographical wiring errors, and the addition of signal annotation for purposes of clarity. This edition obsoletes all previous editions.
J (6-14-66)	Field Change Order 12203, new Product Designations 6601-A15, 6601-B15, 6601-C15, 6601-D15, 6601-E15, 6601-F15, 6601-H18, 6604-A19, 6604-B15. Pages A32, E18, E20 and E21 revised.
K (6-14-66)	Field Change Order 13415, new Product Designations 6601-A22, 6601-B23, 6601-C23, 6601-D23, 6601-E23, 6601-F23, 6601-H32, 6604-A34, 6604-B24, 6605-A13. Pages D27, F24, H24, H25, H27, I32 and K42 revised.
L (6-14-66)	Publication Change Order 13859, no Product Designation change. Pages A07 and I22 revised.
M (10-13-66)	Field Change Order 13740, new Product Designation 6601-H46, 6604-A46, 6613-A06 and 6614-A06. Pages C01, C02, C04, C05, C06, D01, D02, D04, D05 and D06 revised.
N (10-13-66)	Field Change Order 13999, new Product Designation 6601-H50, 6604-A50, 6613-A10 and 6614-A10. Pages A39, A40, B24, D07, D14, D20, E11, E15, G18, G37, H24, H37, J24, K42 and O07 revised.
P (10-13-66)	Field Change Order 14111, new Product Designation 6601-H52, 6604-A52, 6613-A12 and 6614-A12. Pages C15, C16, C17, C18, C20, H25, H37, J24, J25, K13, K14 and O09 revised.
R (10-13-66)	Engineering Change Order 14087 which did not affect the Product Designation. Pages I21 and I22 revised.
S (10-13-66)	Engineering Change Order 14425 which did not affect the Product Designation. Pages A16, A17, A27, A29, B28, D15, D18 and G36 revised.
T (10-13-66)	Publications Change Order 15003 which did not affect the Product Designation. Cover and title page revised.
U (3-1-67)	Field Change Order 14767, new Product Designation 6601-H66, 6601-J06, 6604-A63, 6604-C06, 6613-A25, 6613-B06, 6614-A23 and 6614-B06. Pages D18, G36, P20 and Q14 revised.
V (3-1-67)	Engineering Change Order 15213 which did not affect the Product Designation. Pages A37 and G36 revised.
W (3-1-67)	Field Change Order 15338, new Product Designation 6601-H70, 6601-J10, 6604-A66, 6604-C09, 6613-A29, 6613-B10, 6614-A26 and 6614-B09. Pages A35, A38 and B23 revised.
Y (3-1-67)	Publications Change Order 15923, no Product Designation change. Cover, title page and comment sheet revised. Typing error corrected on K42.
Z (5-29-67)	Field Change Order 15968, which advanced the Product Designation to 6601-H77, 6601-J17, 6604-A74, 6604-C17, 6613-A36, 6613-B17, 6613-C06, 6614-A34, 6614-B17 and 6614-C07. Card Placement and pages A35, A37, A38, B26, B28, B35, B37, C15, D10, D13, D14, D15, D19, D20

FORM CAZ50 REV. 1-67

Address comments concerning this manual to:

Control Data Corporation
 Technical Publications Department
 4201 North Lexington Avenue
 St. Paul, Minnesota 55112

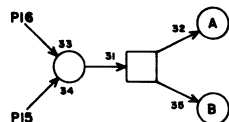
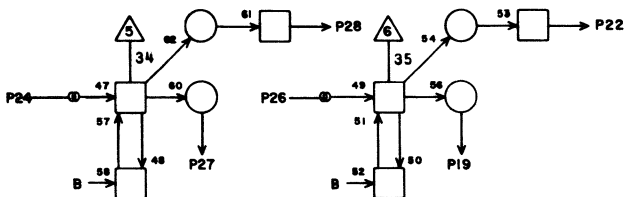
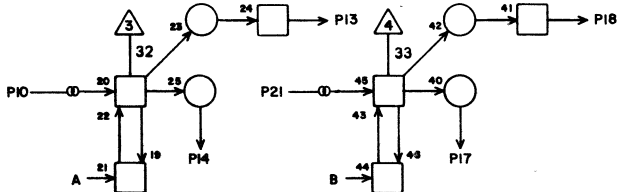
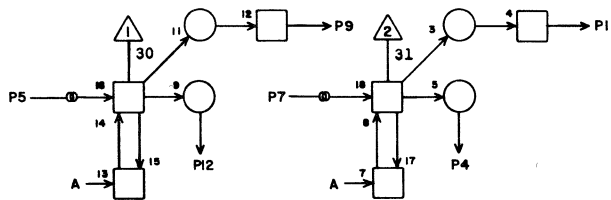
or use Comment Sheet in the back of this manual.

	2	3	4	5	6	7	8	9	10	11	12	13	14	15	16	17	18	19	20	21	22	23	24	25	26	27	28	29	30	31	32	33	34	35	36	37	38	39	40	41	42							
A	PI	TC																																														
B																																																
C																																																
D																																																
E																																																
F																																																
G																																																
H																																																
I																																																
J																																																
K																																																
L																																																
M																																																
N																																																
O																																																
P																																																
Q																																																
R																																																

HINGE

63028200 REV. G

CPU CONTROL TO CM



PI

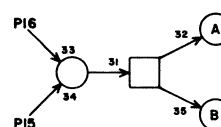
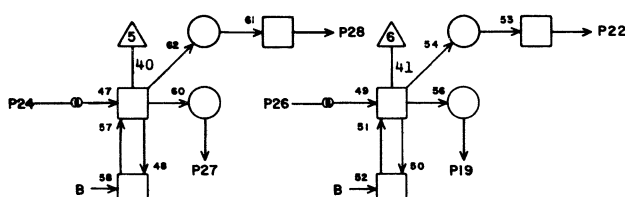
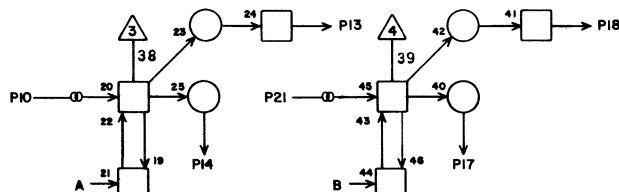
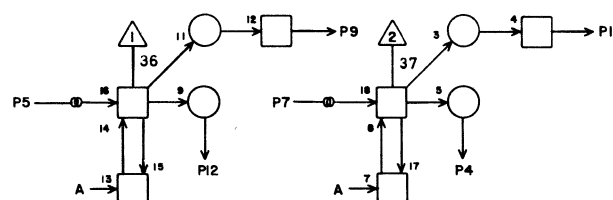
2A1

1	A23	3	23
2			
3			
4			
5	W14	90	
6			
7	W14	91	
8			
9	A23	4	23
10	W14	92	
11			
12			
13	A23	26	23
14			
15		2	
16	A6	15	9
17			
18	A23	25	23
19			
20			
21	W14	93	
22	A24	3	25
23			
24	W14	94	
25			
26	W14	95	
27			
28	A24	4	25

JACK PIN LG

63019700 Rev. H

CPU CONTROL TO CM



2A2

PI

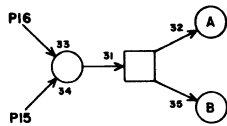
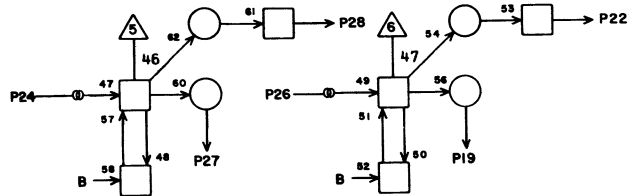
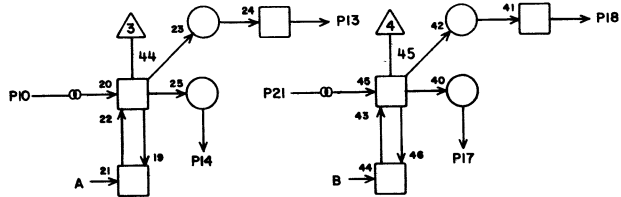
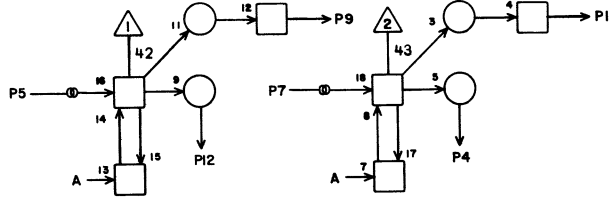
2A2

1	A24	25	23
2			
3			
4			
5	W13	901	
6			
7	W13	902	
8			
9	A24	26	23
10	W13	903	
11			
12			
13	A25	4	25
14			
15		2	
16	A6	7	7
17			
18	A25	3	23
19			
20			
21	W13	904	
22	A25	25	25
23			
24	W13	905	
25			
26	W13	906	
27			
28	A25	26	25

JACK PIN LG

63019700 Rev. AH

CPU CONTROL TO CM



PI

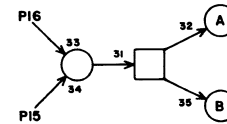
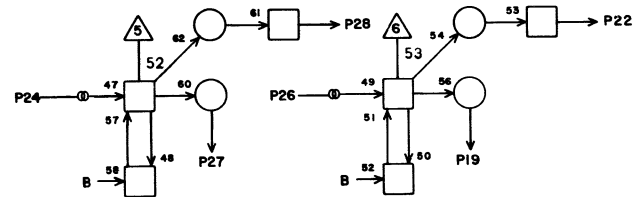
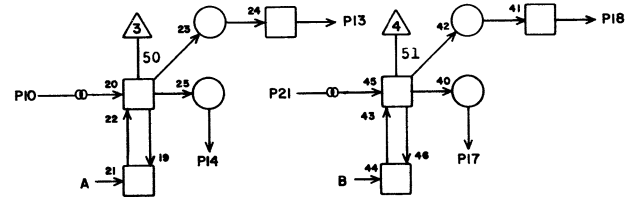
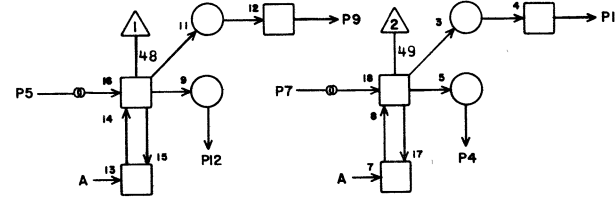
2A3

1	A26	3	25
2			
3			
4			
5	W13	907	
6			
7	W13	900	
8			
9	A26	4	25
10	W13	90	
11			
12			
13	A26	26	25
14			
15		Grid	2
16	A6	6	7
17			
18	A26	25	23
19			
20			
21	W13	91	
22	A27	3	25
23			
24	W13	92	
25			
26	W13	93	
27			
28	A27	4	23

JACK PIN LG

63019700 Rev. H

CPU CONTROL TO CM



PI

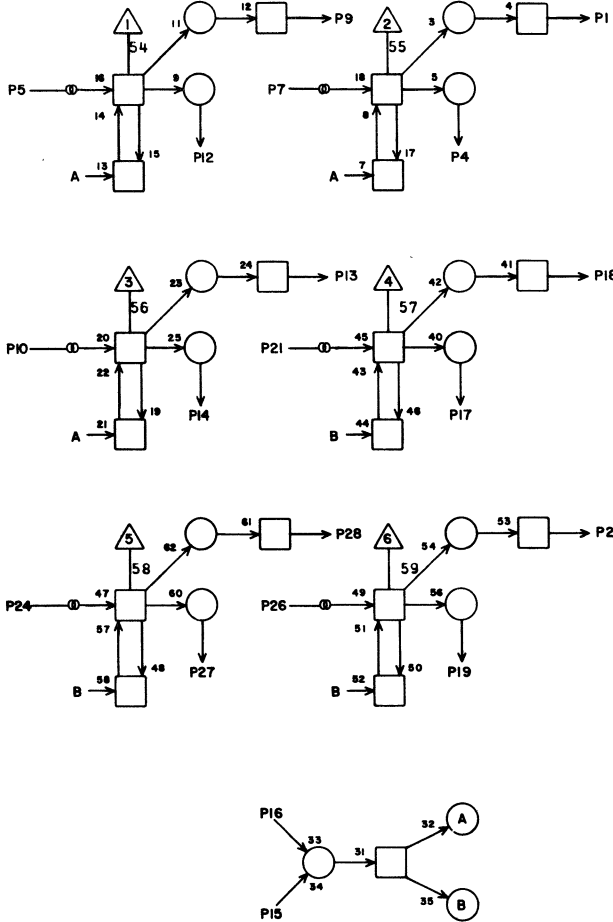
2A4

1	A27	25	25
2			
3			
4			
5	W13	94	
6			
7	W13	95	
8			
9	A27	26	23
10	W13	96	
11			
12			
13	A28	4	25
14			
15		Grid	2
16	A6	4	5
17			
18	A28	3	25
19			
20			
21	W13	97	
22	A28	25	25
23			
24	W13	98	
25			
26	W13	99	
27			
28	A28	26	25

JACK PIN LG

63019700 Rev. II

CPU CONTROL TO CM



PI 2A5

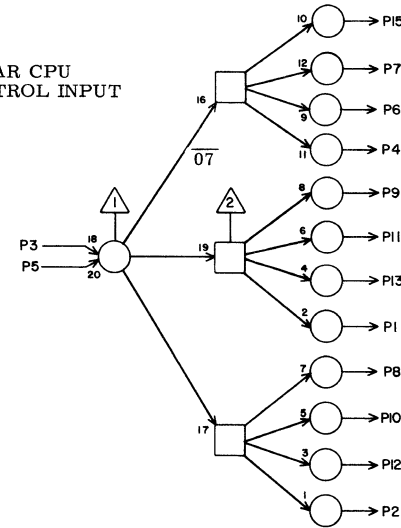
1	A29	3	23
2			
3			
4			
5			
6			
7			
8			
9	A29	4	23
10	W14	96	
11			
12			
13	A29	26	23
14			
15		Grd	2
16	A6	9	7
17			
18	A29	25	25
19			
20			
21			
22	A30	3	25
23			
24			
25			
26			
27			
28	A30	4	25

JACK PIN LG

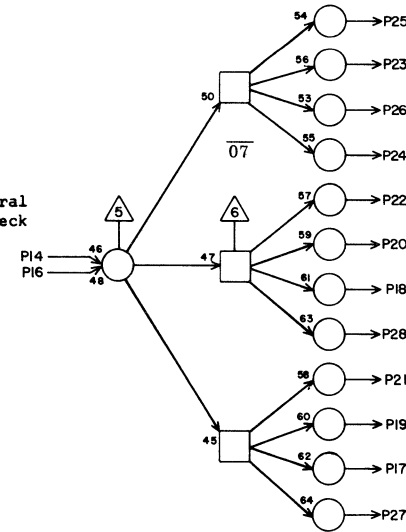
63019700 Rev. H

CLOCK FANOUTS

CLEAR CPU CONTROL INPUT REG.



PI Peripheral Clear Check



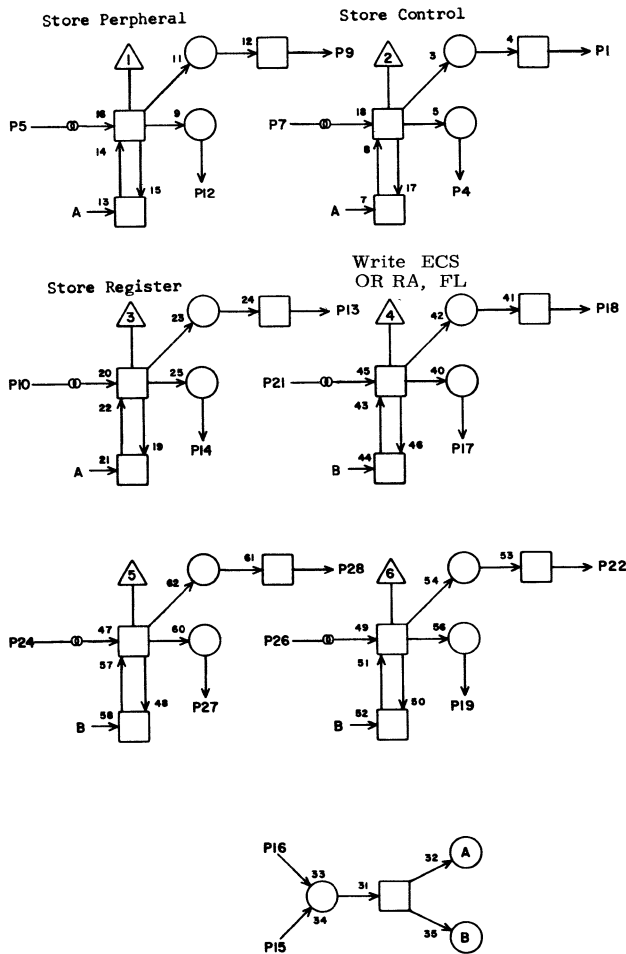
2A6

TC 2A6

1	C9	11	11
2	C9	22	11
3	C7	27	15
4	A4	16	5
5		Grd	2
6	A3	16	7
7	A2	16	7
8			
9	A5	16	7
10			
11			
12			
13			
14	C7	25	13
15	A1	16	9
16		Grd	2
17	C3	10	72
18	B7	15	7
19	B10	15	9
20	B6	15	7
21	B9	15	7
22	B5	15	7
23	B2	15	9
24	B4	15	7
25	B1	15	9
26	B3	15	9
27	A7	15	5
28	B8	15	7

JACK PIN LG

63019700 Rev. AB



* For ECS Coupler Access and CEJ/MEJ only.

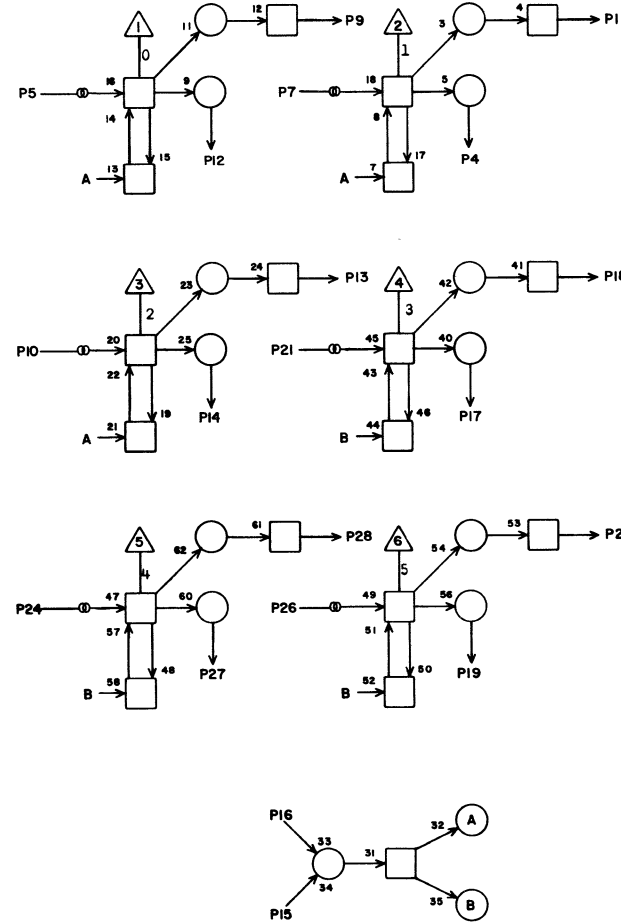
PI		2A7	
1	D8	14	15
2			
3			
4			
5	W14	904	
6			
7	W14	902	
8			
9	D8	3	15
10	W14	903	
11			
12	B11	16	9
13	C8	14	11
14	Q18	22	72
15	A6	27	5
16		Grd	2
17	D7	3	13
18	D03	3	13
19			
20			
21	W33	905	
22			
23			
24			
25			
26			
27			
28			

*

JACK	PIN	LG
------	-----	----

63019700 Rev. AG

CPU REG. TO CM

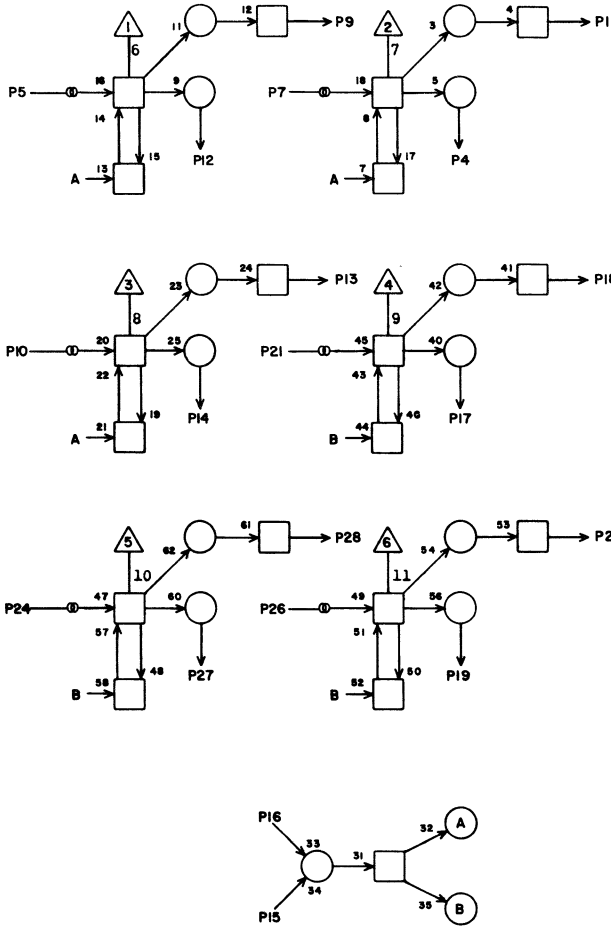


PI		2A8	
1	A18	1	13
2			
3			
4			
5	W9	900	
6			
7	W9	901	
8			
9	A18	2	13
10	W9	902	
11			
12			
13	A18	12	13
14			
15		Grd	2
16	C8	15	11
17			
18	A18	17	11
19			
20			
21	W9	903	
22	A18	27	11
23			
24	W9	904	
25			
26	W9	905	
27			
28	A18	28	11

JACK	PIN	LG
------	-----	----

63019700 Rev. H

CPU REG. TO CM



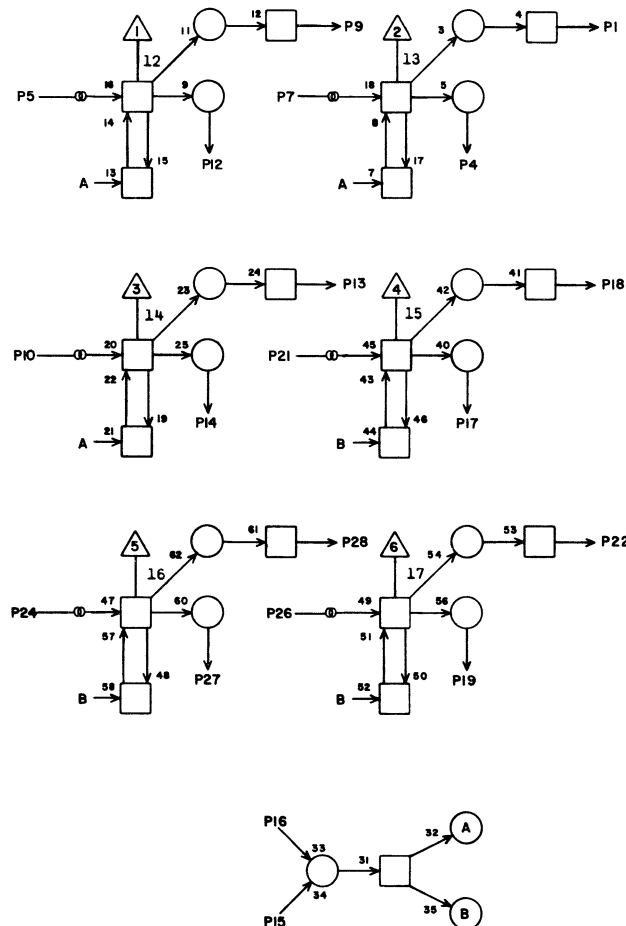
PI 2A9

1	A19	1	11
2			
3			
4			
5	W9	906	
6			
7	W9	907	
8			
9	A19	2	11
10	W9	90	
11			
12			
13	A19	12	11
14			
15		Grd	2
16	C8	7	13
17			
18	A20	17	11
19			
20			
21	W09	91	
22	A19	27	11
23			
24	W9	92	
25			
26	W9	93	
27			
28	A19	28	11

JACK PIN LG

63019700 Rev. H

CPU REG. TO CM



PI 2A10

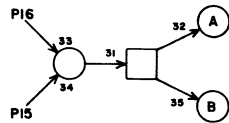
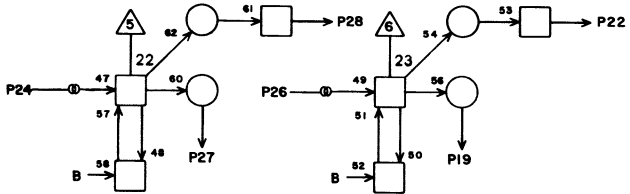
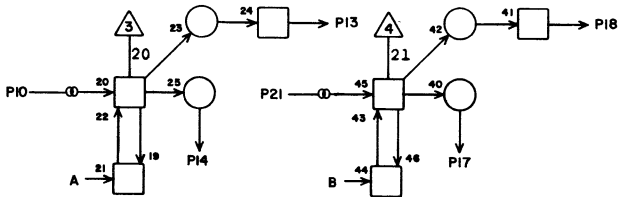
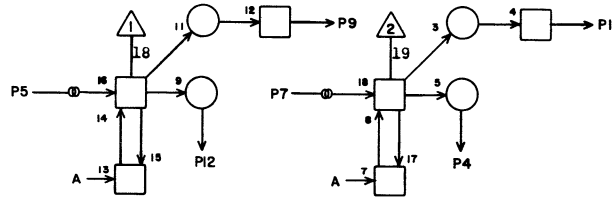
1	A20	1	11
2			
3			
4			
5	W9	94	
6			
7	W9	95	
8			
9	A20	2	11
10	W9	96	
11			
12			
13	A20	12	11
14			
15		Grd	2
16	C8	6	11
17			
18	A20	17	11
19			
20			
21	W9	97	
22	A20	27	11
23			
24	W9	98	
25			
26	W9	99	
27			
28	A20	28	11

JACK PIN LG

63019700 Rev. H

2A10

CPU REG. TO CM

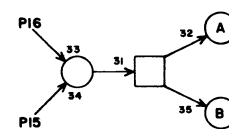
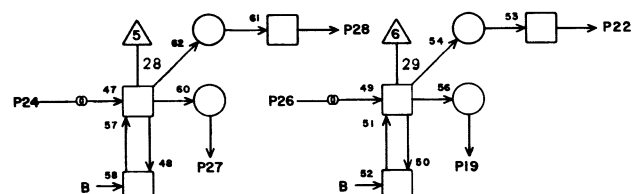
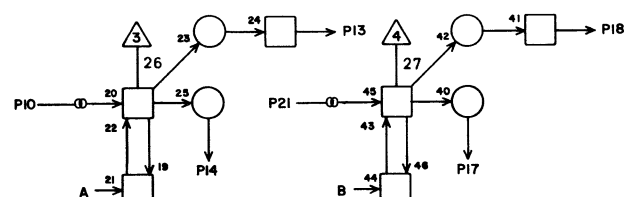
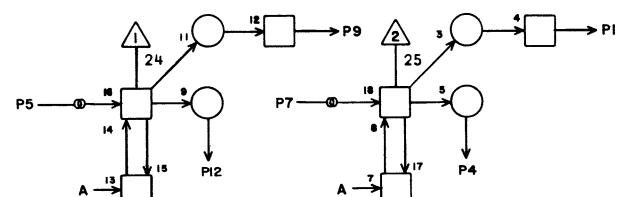


PI 2A11			
1	A21	1	11
2			
3			
4			
5	W10	900	
6			
7	W10	901	
8			
9	A21	2	11
10	W10	902	
11			
12			
13	A21	12	11
14			
15		Grd	2
16	C8	4	11
17			
18	A21	17	11
19			
20			
21	W10	903	
22	A21	27	11
23			
24	W10	904	
25			
26	W10	905	
27			
28	A21	28	11

JACK PIN LG

63019700 Rev. H

CPU REG. TO CM

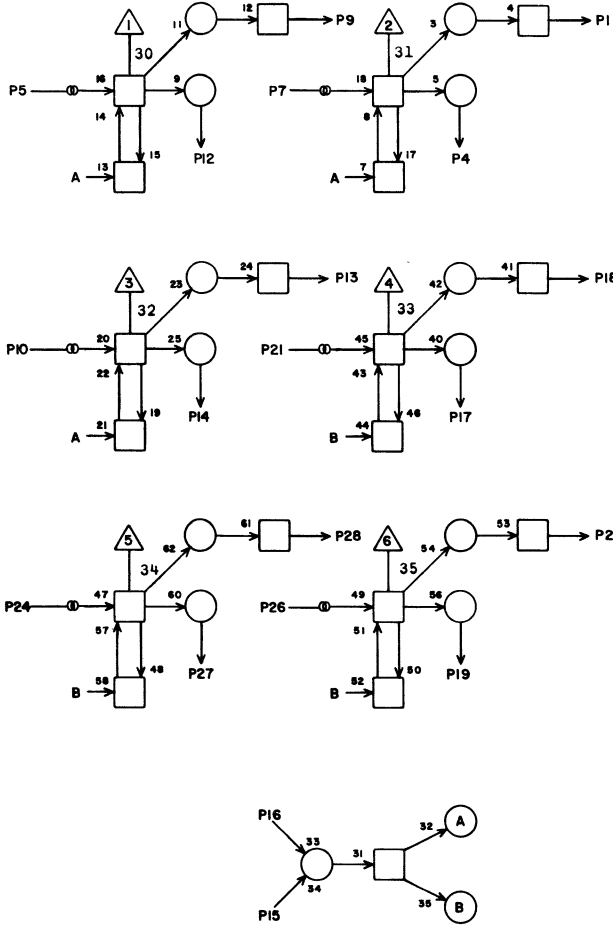


PI 2A12			
1	A22	1	11
2			
3			
4			
5	W10	906	
6			
7	W10	907	
8			
9	A22	2	11
10	W10	90	
11			
12			
13	A22	12	11
14			
15		Grd	2
16	C8	9	11
17			
18	A22	17	13
19			
20			
21	W10	91	
22	A22	27	11
23			
24	W10	92	
25			
26	W10	93	
27			
28	A22	28	11

JACK PIN LG

63019700 Rev. H

CPU REG. TO CM



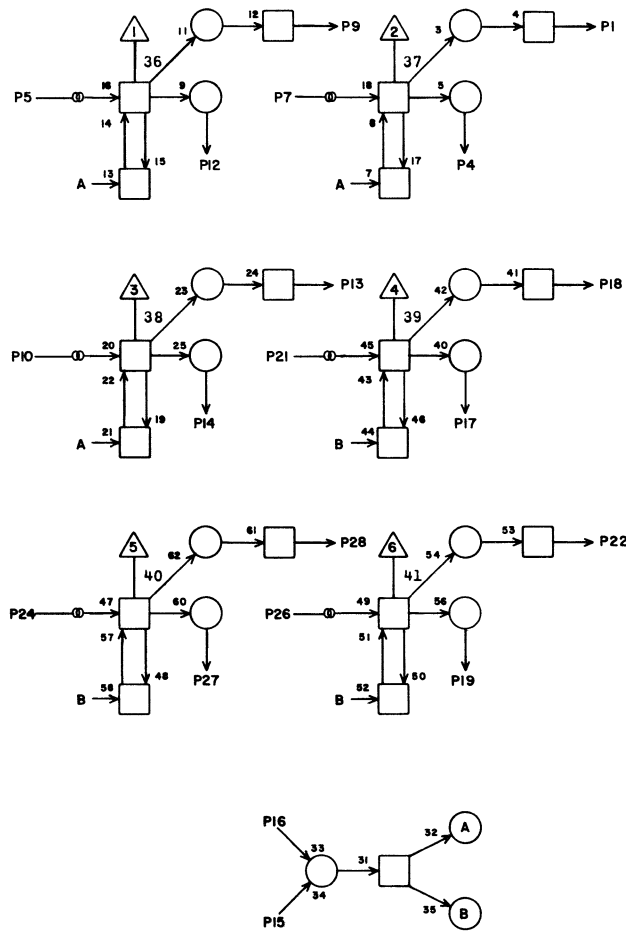
PI 2A13

1	A23	5	11
2			
3			
4			
5	W10	94	
6			
7	W10	95	
8			
9	A23	6	11
10	W10	96	
11			
12			
13	A23	24	11
14			
15		Grd	2
16	C8	11	11
17			
18	A23	23	11
19			
20			
21	W10	97	
22	A24	5	13
23			
24	W10	98	
25			
26	W10	99	
27			
28	A24	6	11

JACK PIN LG

63019700 Rev. H

CPU REG. TO CM



PI 2A14

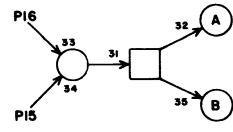
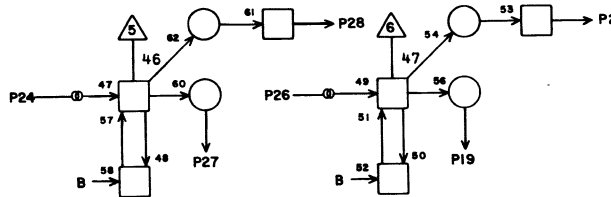
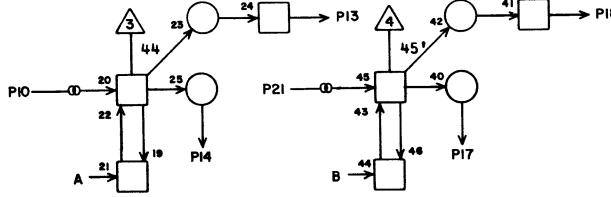
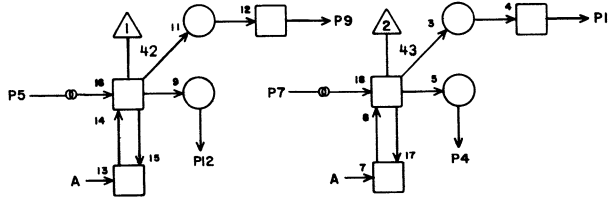
1	A24	23	11
2			
3			
4			
5	W11	906	
6			
7	W11	907	
8			
9	A24	24	11
10	W11	90	
11			
12			
13	A25	6	11
14			
15		Grd	2
16	C8	13	13
17			
18	A25	5	11
19			
20			
21	W11	91	
22	A25	23	11
23			
24	W11	92	
25			
26	W11	93	
27			
28	A25	24	11

JACK PIN LG

63019700 Rev. H

2A14

CPU REG. TO CM

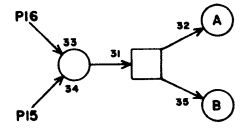
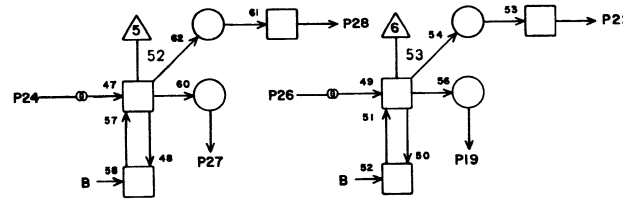
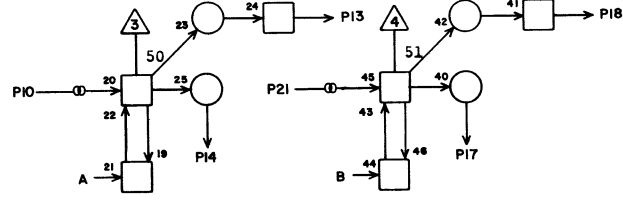
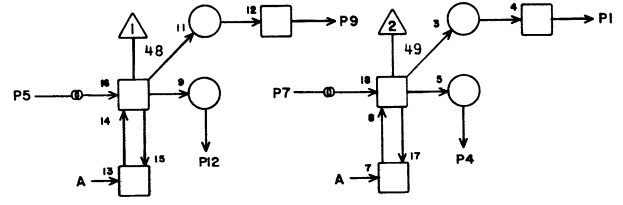


PI 2A15

1	A26	5	11
2			
3			
4			
5	W11	94	
6			
7	W11	95	
8			
9	A26	6	11
10	W11	96	
11			
12			
13	A26	24	11
14			
15		Grd	2
16	C8	1	11
17			
18	A26	23	11
19			
20			
21	W12	900	
22	A27	5	11
23			
24	W12	901	
25			
26	W12	902	
27			
28	A27	6	11

JACK PIN LG
63019700 Rev. H

CPU REG. TO CM

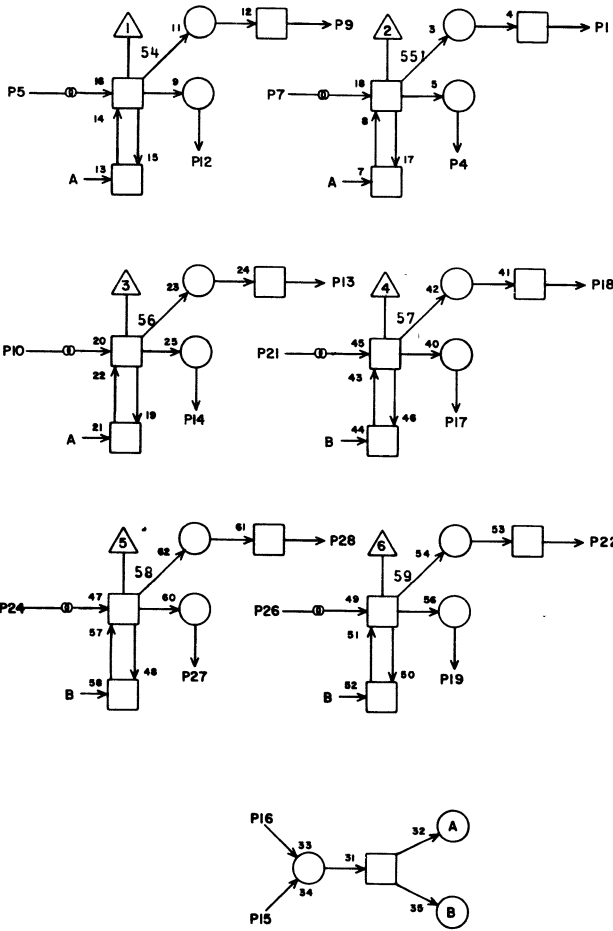


PI 2A16

1	A27	23	13
2			
3			
4			
5	W12	903	
6			
7	W12	904	
8			
9	A27	24	11
10	W12	905	
11			
12			
13	A28	6	11
14			
15		Grd	2
16	C8	8	13
17			
18	A28	5	11
19			
20			
21	W12	906	
22	A28	23	13
23			
24	W12	907	
25			
26	W12	90	
27			
28	A28	24	11

JACK PIN LG
63019700 Rev. S

CPU REG. TO CM



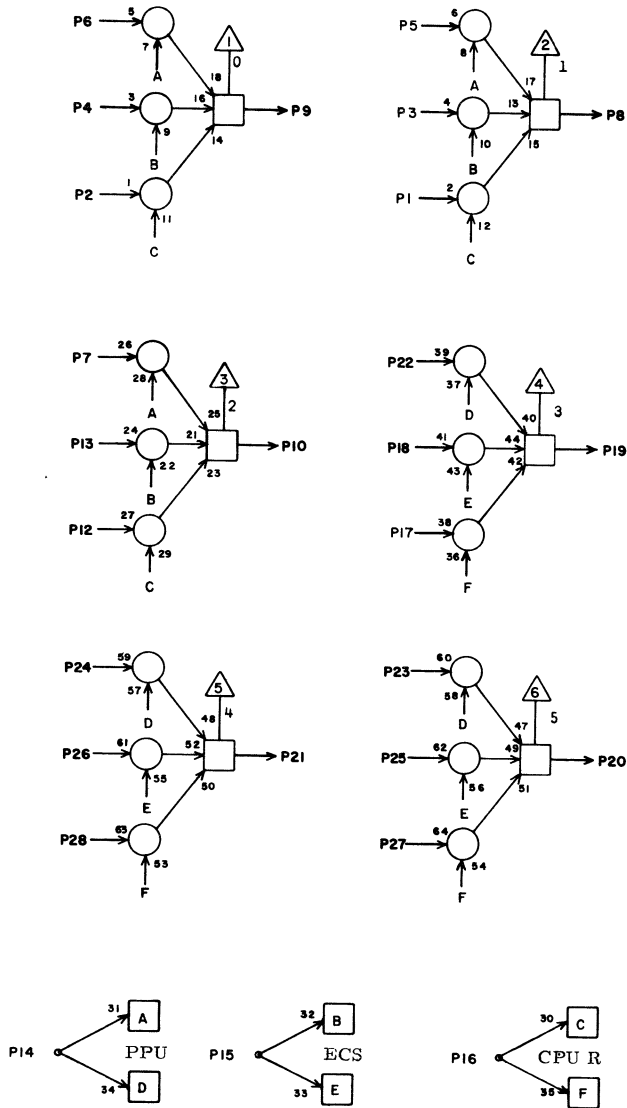
PI

2A17

1	A29	5	11
2			
3			
4			
5	W12	91	
6			
7	W12	92	
8			
9	A29	6	13
10	W12	93	
11			
12			
13	A29	24	11
14			
15		Grd	2
16	C8	10	13
17			
18	A29	23	11
19			
20			
21	W12	94	
22	A30	5	13
23			
24	W12	95	
25			
26	W12	96	
27			
28	A30	6	13

JACK PIN LG
63019700 Rev. S

SELECT STORE WORD



2A18

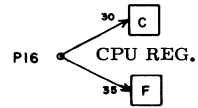
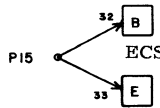
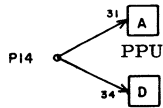
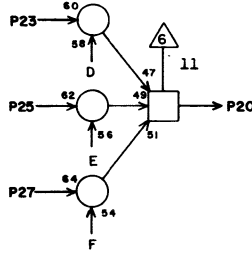
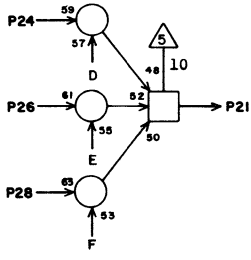
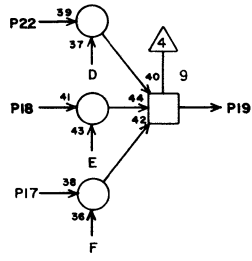
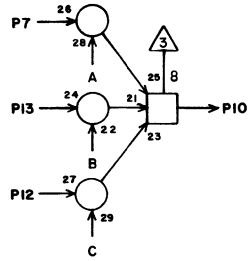
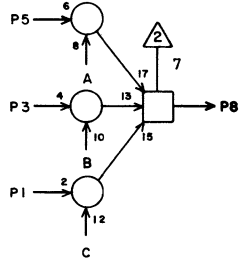
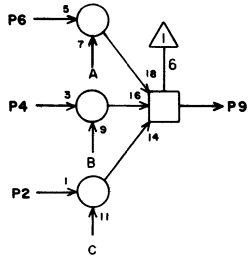
TE

2A18

1	A8	1	13
2	A8	9	13
3	C1	1	17
4	C1	9	19
5	B1	1	19
6	B1	9	19
7	B1	13	19
8	B12	11	11
9	B12	9	11
10	B12	13	11
11			
12	A8	13	13
13	C1	13	19
14	D8	15	15
15	D3	1	19
16	C8	25	15
17	A8	18	11
18	C1	18	19
19	B12	18	11
20	B12	22	11
21	B12	20	11
22	B1	18	19
23	B1	22	19
24	B1	28	19
25	C1	22	19
26	C1	28	19
27	A7	22	11
28	A8	28	11

JACK PIN LG
63019700 Rev. H

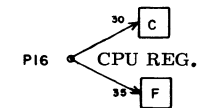
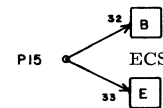
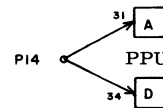
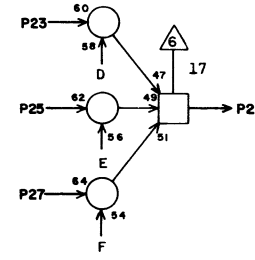
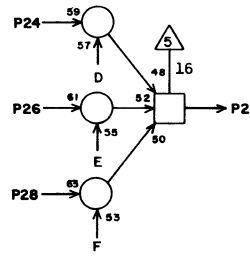
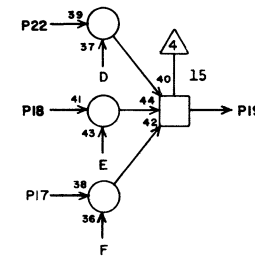
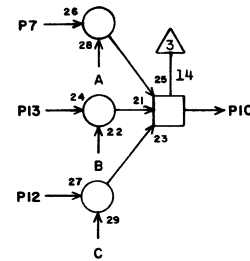
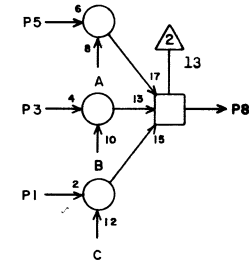
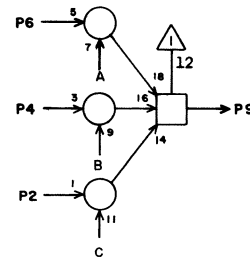
SELECT STORE WORD



TE		2A19	
1	A9	1	11
2	A9	9	11
3	C2	1	19
4	C2	9	19
5	B2	1	19
6	B2	9	19
7	B2	13	19
8	B13	11	11
9	B13	9	11
10	B13	13	11
11			
12	A9	13	11
13	C2	13	19
14	D8	7	17
15	D3	2	21
16	C8	23	17
17	A9	18	11
18	C2	18	19
19	B13	18	11
20	B13	22	11
21	B13	20	11
22	B2	18	19
23	B2	22	21
24	B2	28	21
25	C2	22	19
26	C2	28	19
27	A9	22	11
28	A9	28	11
	JACK	PIN	LG

63019700 Rev.H

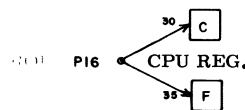
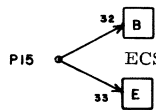
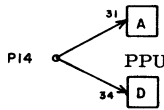
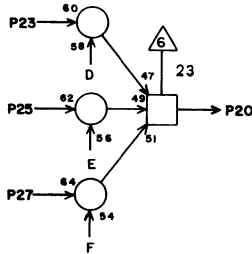
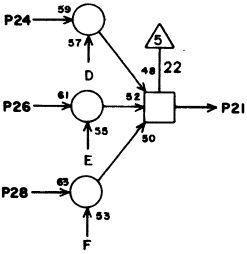
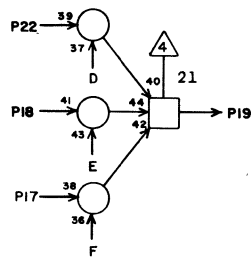
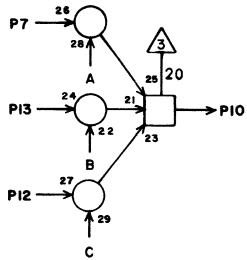
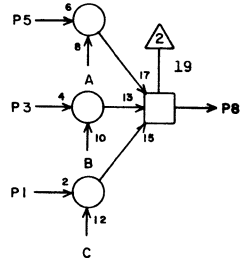
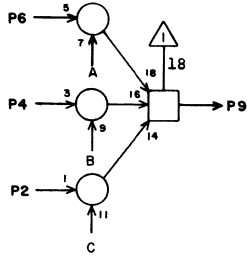
SELECT STORE WORD



TE		2A20	
1	A10	1	11
2	A10	9	11
3	C4	1	19
4	C4	9	19
5	B3	1	19
6	B3	9	19
7	B3	13	19
8	B14	11	11
9	B14	9	11
10	B14	13	11
11			
12	A10	13	11
13	C4	13	19
14	D8	6	17
15	D3	4	21
16	C8	26	17
17	A10	18	11
18	C4	18	19
19	B14	18	11
20	B14	22	11
21	B14	20	11
22	B3	18	19
23	B3	22	21
24	B3	28	19
25	C4	22	19
26	C4	28	19
27	A10	22	11
28	A10	28	11
	JACK	PIN	LG

63019700 Rev.H

SELECT STORE WORD

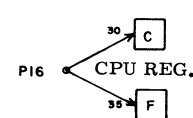
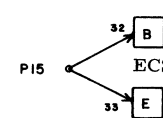
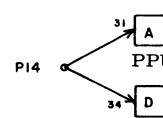
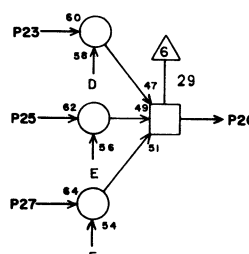
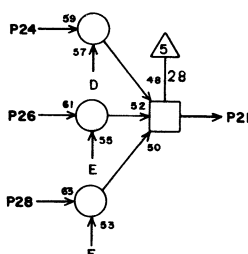
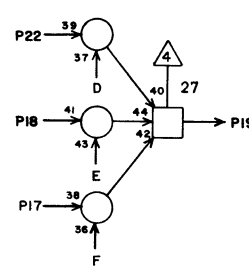
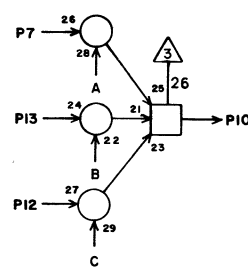
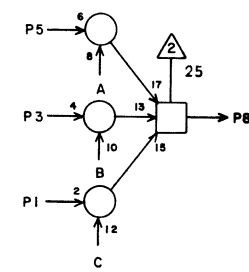
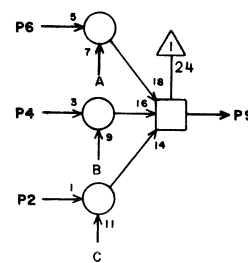


TE 2A21

1	All	1	11
2	All	9	11
3	C5	1	19
4	C5	9	19
5	B4	1	19
6	B4	9	19
7	B4	13	19
8	B15	11	11
9	B15	9	11
10	B15	13	11
11			
12	All	13	11
13	C5	13	19
14	D8	4	17
15	D3	6	21
16	A8	24	7
17	All	18	11
18	C5	18	19
19	B15	18	11
20	B15	22	11
21	B15	20	11
22	B4	18	21
23	B4	22	21
24	B4	28	19
25	C5	22	19
26	C5	28	19
27	All	22	11
28	All	28	11

JACK PIN LG
63019700 Rev. H

SELECT STORE WORD



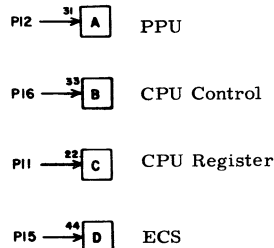
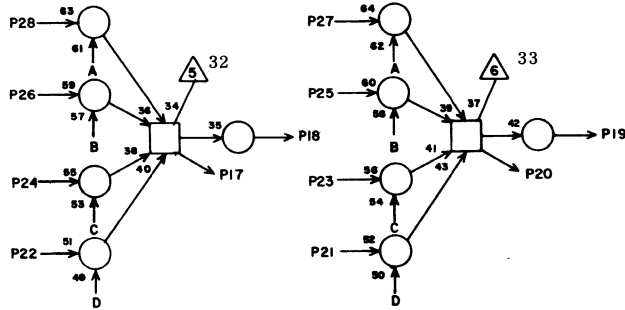
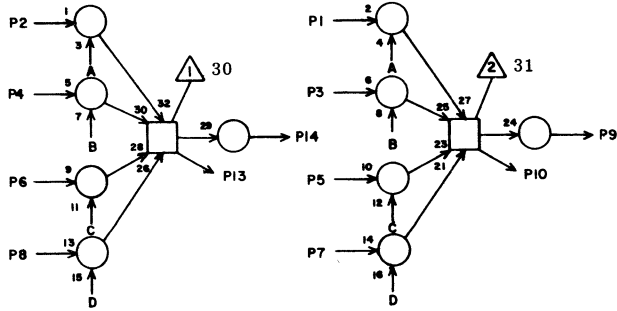
2A22

TE 2A22

1	A12	1	11
2	A12	9	11
3	C6	1	19
4	C6	9	19
5	B5	1	19
6	B5	9	19
7	B5	13	19
8	B16	11	11
9	B16	9	11
10	B16	13	11
11			
12	A12	13	11
13	C6	13	19
14	D8	9	19
15	D3	3	23
16	C8	22	17
17	A12	18	13
18	C06	18	19
19	B16	18	11
20	B16	22	11
21	B16	20	11
22	B5	18	19
23	B5	22	21
24	B5	16	19
25	C6	22	19
26	C6	28	19
27	A12	22	11
28	A12	28	11

JACK PIN LG
63019700 Rev. H

SELECT STORE WORD

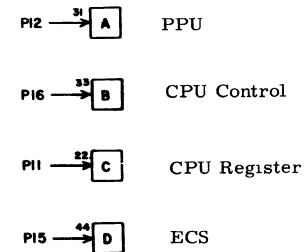
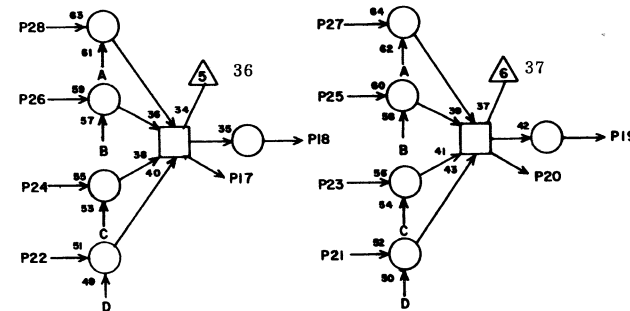
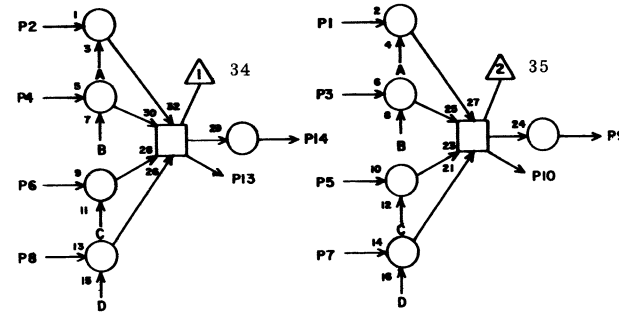


1	B06	1	19
2	B06	9	19
3	A01	1	23
4	A01	9	23
5	A13	1	11
6	A13	9	11
7	D1	1	23
8	D1	9	25
9			
10	B17	11	11
11	C08	20	17
12	D08	11	19
13	B17	9	11
14			
15	D03	8	25
16	D08	20	19
17	B17	13	11
18			
19			
20	B17	18	11
21	D1	18	23
22	D1	13	23
23	A13	18	11
24	A13	13	11
25	A01	18	23
26	A01	13	23
27	B06	18	19
28	B06	13	19

JACK PIN LG
CIRCUIT SPECIFICATION 11827600

63019700 Rev. H

SELECT STORE WORD



1	B6	22	19
2	B6	28	19
3	A1	22	25
4	A1	28	25
5	A13	22	13
6	A13	28	11
7	D1	22	27
8	D1	28	25
9			
10	B17	22	11
11	C08	18	18
12	D08	13	21
13	B17	20	11
14			
15	D3	9	25
16	D8	18	21
17	B18	9	11
18			
19			
20	B18	11	11
21	D2	1	23
22	D2	9	23
23	A14	1	11
24	A14	9	11
25	A2	1	23
26	A2	9	23
27	B7	1	19
28	B7	9	19

JACK PIN LG
CIRCUIT SPECIFICATION 11827600

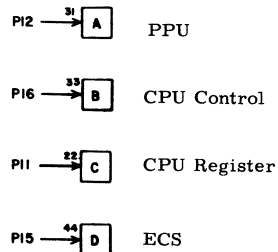
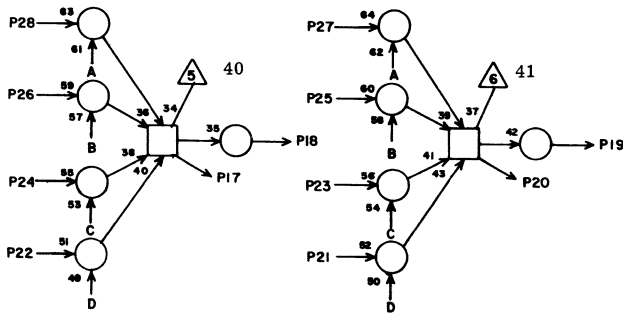
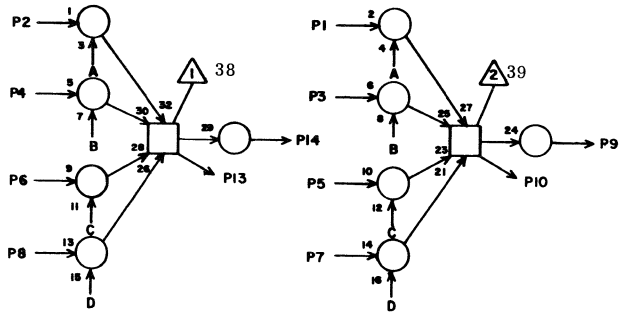
63019700 Rev. H

LS 63063900
ASSY REV C

T6

2A25

SELECT STORE WORD



1	B07	18	19
2	B07	13	19
3	A2	18	23
4	A2	13	25
5	A14	18	11
6	A14	13	11
7	D2	18	25
8	D2	13	23
9			
10	B18	18	11
11	C08	17	21
12	D08	2	21
13	B18	13	11
14			
15	D3	10	25
16	D08	22	23
17	B18	20	11
18			
19			
20	B18	22	11
21	D2	22	25
22	D2	28	25
23	A14	22	11
24	A14	28	11
25	A02	22	25
26	A02	28	25
27	B07	22	19
28	B07	28	19

JACK PIN LG
CIRCUIT SPECIFICATION 11827600

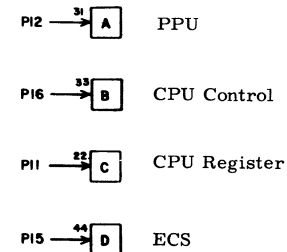
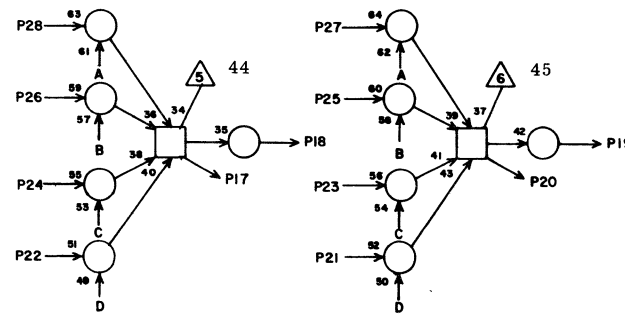
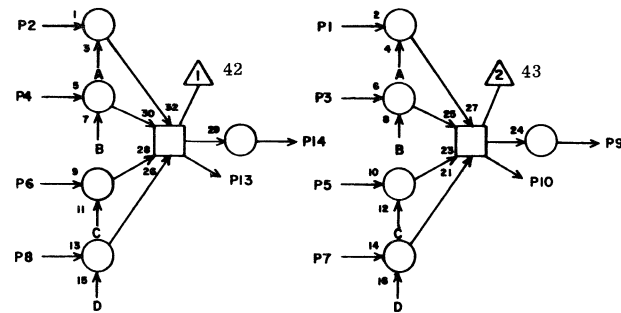
63019700 Rev. H

LS 63063900
ASSY REV C

T6

2A26

SELECT STORE WORD



1	B08	1	19
2	B08	9	19
3	A03	1	25
4	A03	9	25
5	A15	1	11
6	A15	9	11
7	D4	1	23
8	D4	9	23
9			
10	B19	11	11
11	C08	28	23
12	D08	1	23
13	B19	9	11
14			
15	D3	11	27
16	D8	28	23
17	B19	13	11
18			
19			
20	B19	18	11
21	D4	18	23
22	D4	13	23
23	A15	18	11
24	A15	13	11
25	A3	18	23
26	A3	13	25
27	B8	18	19
28	B08	13	19

JACK PIN LG
CIRCUIT SPECIFICATION 11827600

63019700 Rev. H

2A26

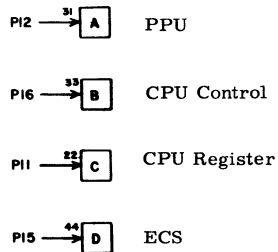
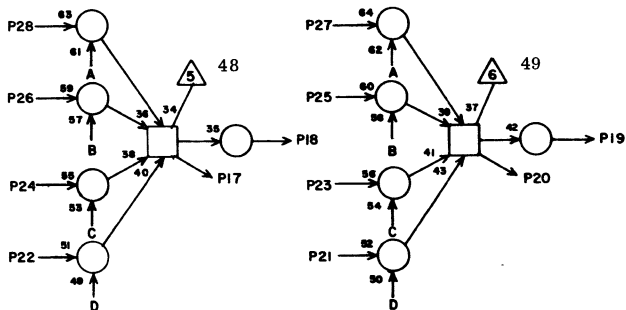
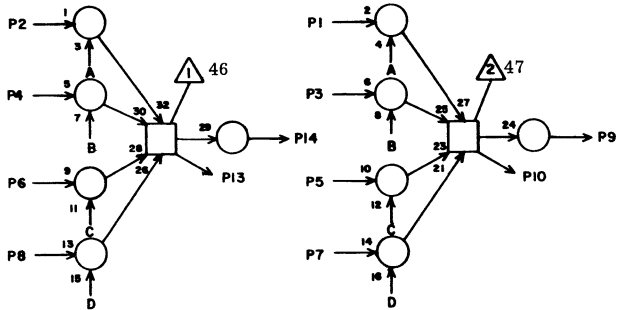
LS 63063900
ASSY

C
REV

TG

2A27

SELECT STORE WORD



1	B8	22	21
2	B8	28	21
3	A3	22	25
4	A3	28	23
5	A15	22	11
6	A15	28	11
7	D4	22	25
8	D4	28	25
9			
10	B19	22	11
11	C08	21	23
12	D08	8	23
13	B19	20	11
14			
15	D3	12	27
16	D8	21	23
17	B20	9	11
18			
19			
20	B20	11	11
21	D5	1	23
22	D5	9	23
23	A16	1	13
24	A16	9	11
25	A4	1	25
26	A4	9	23
27	B09	1	19
28	B9	9	19

JACK PIN LG
CIRCUIT SPECIFICATION 11827600

63019700 Rev. S

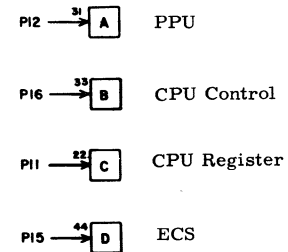
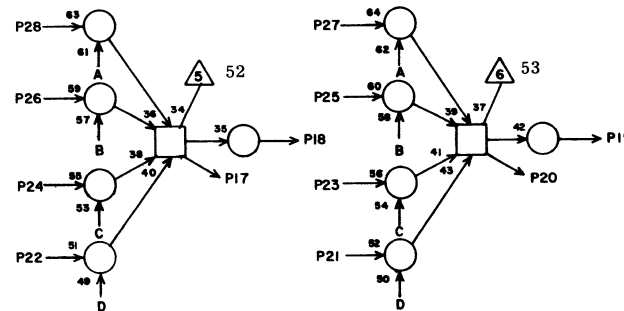
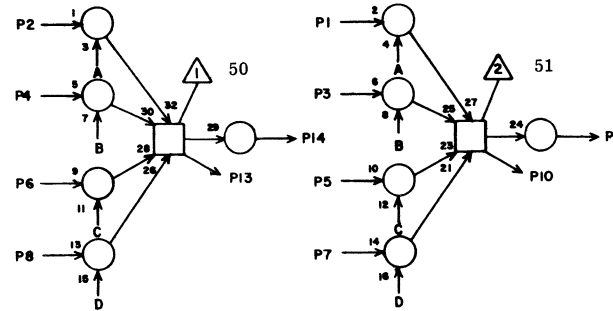
LS 63063900
ASSY

C
REV

TG

2A28

SELECT STORE WORD



1	B9	18	19
2	B9	13	19
3	A4	18	25
4	A04	13	25
5	A16	18	11
6	A16	13	11
7	D5	18	25
8	D5	13	25
9			
10	B20	18	11
11	C08	27	23
12	D08	12	23
13	B20	13	11
14			
15	D3	13	29
16	D08	23	23
17	B20	20	11
18			
19			
20	B20	22	11
21	D5	22	23
22	D5	28	25
23	A16	22	13
24	A16	28	11
25	A4	22	25
26	A4	28	25
27	B09	22	21
28	B9	28	19

JACK PIN LG
CIRCUIT SPECIFICATION 11827600

63019700 Rev. H

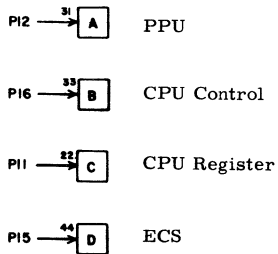
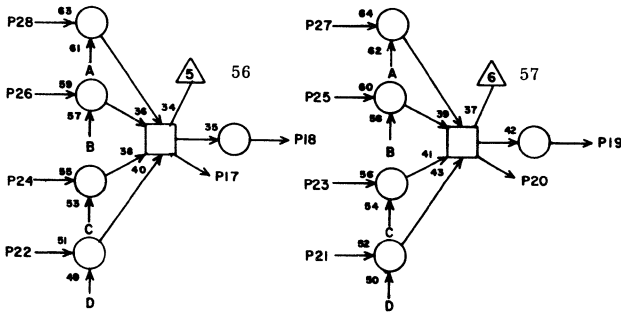
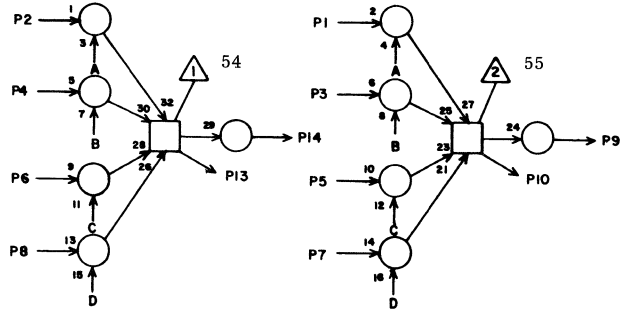
LS 63063900
ASSY

C
REV

T6

2A29

SELECT STORE WORD



1	B10	1	19
2	B10	9	19
3	A5	1	23
4	A5	9	23
5	A17	1	13
6	A17	9	11
7	D6	1	23
8	D06	9	23
9			
10	B21	11	11
11	C08	19	23
12	D07	22	25
13	B21	9	11
14			
15	D03	15	29
16	D8	19	25
17	B21	13	11
18			
19			
20	B21	18	11
21	D6	18	23
22	D6	13	23
23	A17	18	11
24	A17	13	11
25	A5	18	25
26	A5	13	23
27	B10	18	19
28	B10	13	19

JACK PIN LG
CIRCUIT SPECIFICATION 11827600

63019700 Rev. S

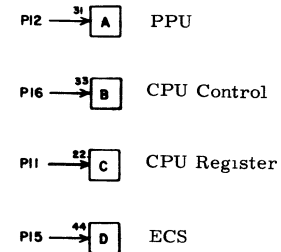
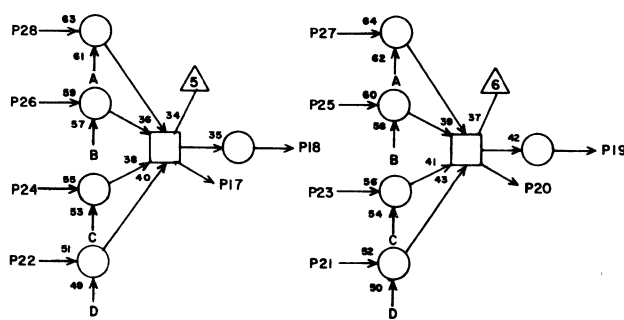
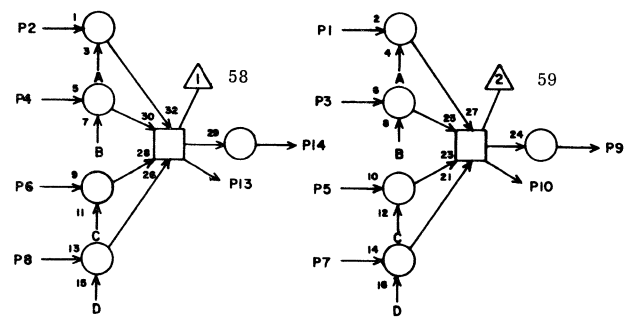
LS 63063900
ASSY

C
REV

T6

2A30

SELECT STORE WORD

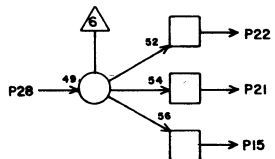
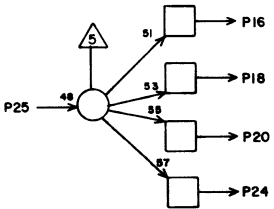
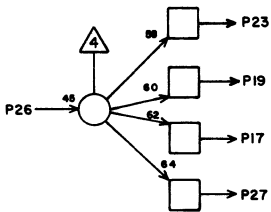
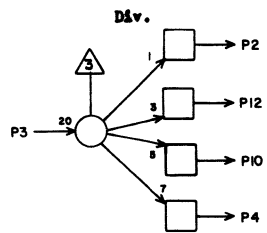
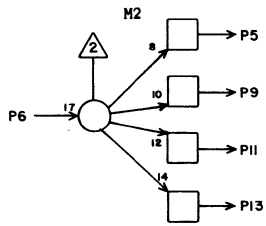
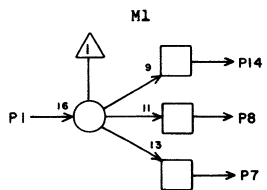


1	B10	22	21
2	B10	28	19
3	A5	22	25
4	A5	28	25
5	A17	22	13
6	A17	28	13
7	D6	22	27
8	D6	28	27
9			
10	B21	22	11
11	Q18	21	72
12	D07	21	25
13	B21	20	11
14			
15	D07	17	27
16	D08	24	23
17			
18			
19			
20			
21			
22			
23			
24			
25			
26			
27			
28			

JACK PIN LG
CIRCUIT SPECIFICATION 11827600

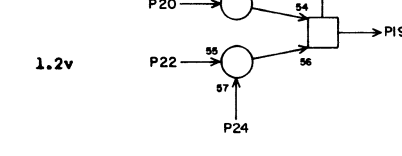
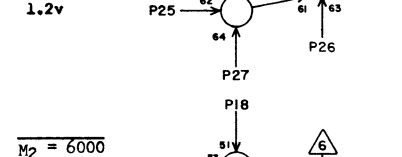
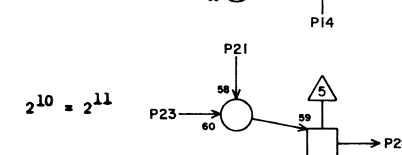
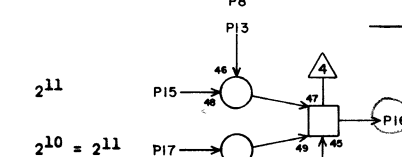
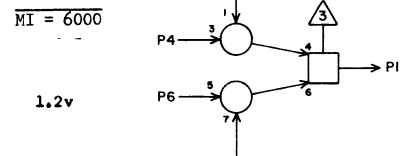
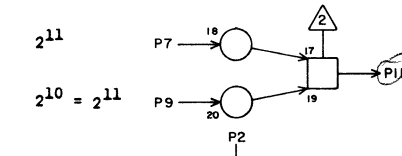
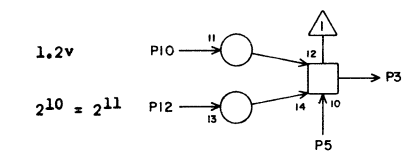
2A30

63019700 Rev. AD



TH		2A31	
1	G35	17	27
2	B24	21	17
3	G30	17	27
4			
5	B32	23	9
6	G40	17	27
7	A32	5	5
8	A32	7	5
9	A32	15	5
10			
11	A32	26	5
12	B37	25	11
13			
14	B30	23	7
15			
16	E42	8	21
17			
18	E42	26	21
19	E42	19	21
20			
21	D3	14	29
22			
23	E42	9	21
24			
25	M10	5	47
26	L10	5	43
27			
28	A35	17	7

JACK PIN LG
63019700 Rev.H



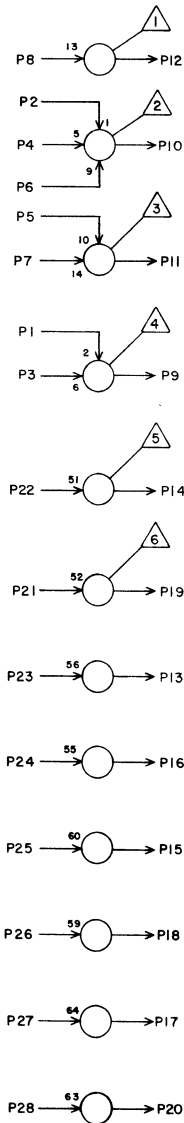
M1

M2

QH		2A32	
1	I37	7	33
2	N42	25	53
3	G42	3	27
4	G42	8	29
5	A31	7	5
6	E20	28	23
7	A31	8	5
8			
9	D12	10	23
10	E18	21	23
11	B36	21	9
12	D12	12	23
13			
14			
15	A31	9	5
16	D16	21	23
17	D12	4	23
18	O11	25	60
19	I37	8	31
20	G42	18	27
21			
22	E21	28	23
23	D12	6	23
24			
25	E18	19	23
26	A31	11	5
27			
28	G42	27	27

JACK PIN LG

63019700 Rev. AD

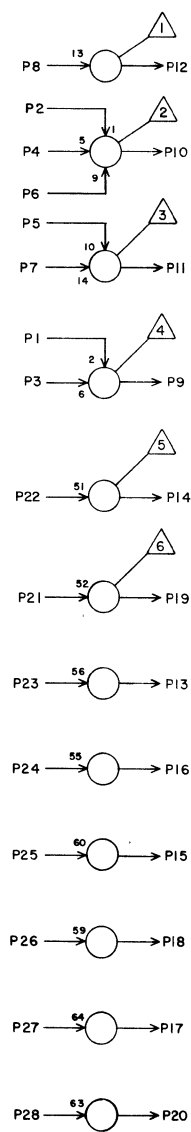


Mult. 1

TL			
2A33			
JACK	PIN	LG	
1	B25	23	11
2	B25	5	13
3			
4			
5	B25	2	11
6			
7			
8	B25	14	11
9	H34	12	29
10	H33	10	29
11	H33	8	29
12	H33	12	29
13	H35	12	29
14	H34	10	29
15	H35	8	29
16	H35	10	29
17	H36	10	29
18	H36	12	29
19	H34	8	29
20	H36	8	29
21	B25	22	11
22	B25	16	11
23	B26	14	11
24	B26	5	11
25	B26	2	11
26	B26	22	11
27	B26	16	11
28	B26	23	11

JACK PIN LG

63019700 Rev. H



Mult. 2

TL			
2A34			
JACK	PIN	LG	
1	B27	23	11
2	B27	5	11
3			
4			
5	B27	2	11
6			
7			
8	B27	14	11
9	H39	12	31
10	H38	10	31
11	H38	8	31
12	H38	12	29
13	H40	12	29
14	H39	10	29
15	H40	8	29
16	H40	10	29
17	H41	10	29
18	H41	12	29
19	H39	8	29
20	H41	8	29
21	B27	22	11
22	B27	16	11
23	B28	14	11
24	B28	5	11
25	B28	2	11
26	B28	22	11
27	B28	16	11
28	B28	23	11

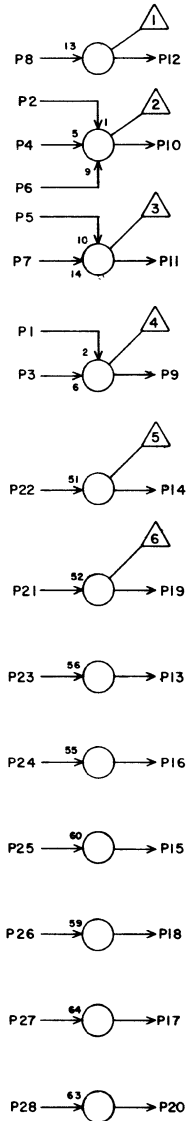
JACK PIN LG

63019700 Rev. H

2A34

LS 63064400
ASSY

REV



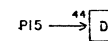
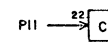
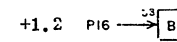
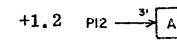
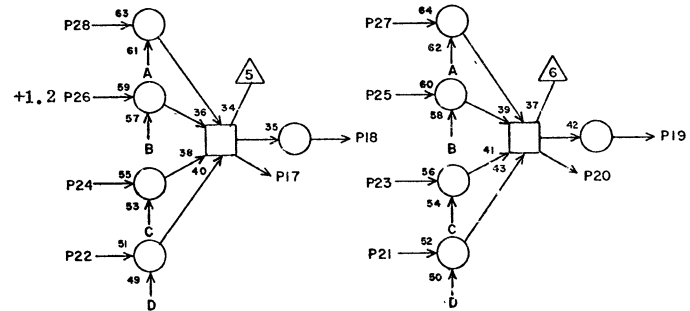
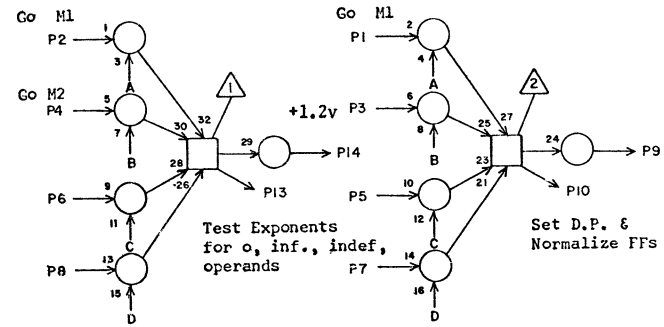
TL

2A35

1	B38	20	11
2	A35	14	5
3	B38	15	11
4	G36	18	29
5	D19	8	180
6	C20	4	19
7	A35	12	3
8	D42	5	17
9	A38	3	180
10	A39	1	7
11	G15	3	29
12	A35	7	3
13	B35	1	7
14	A35	2	5
15	B35	5	9
16	A37	28	5
17	A31	28	7
18	A39	3	7
19	A39	5	7
20	D10	18	31
21	I27	12	35
22	G17	20	29
23	B36	18	9
24	E21	23	23
25	D16	18	23
26	I27	26	35
27	I22	25	33
28	D13	11	27

JACK PIN LG
CIRCUIT SPECIFICATION 11827600

63019700 Rev AD



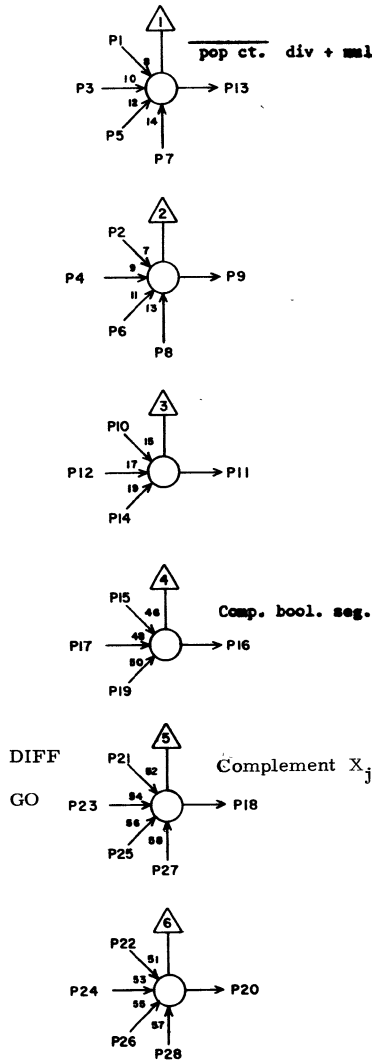
TG

2A36

1	M11	3	51
2	M11	22	51
3	M10	27	51
4	M11	24	51
5			
6			
7			
8			
9	E22	26	23
10	Q18	18	180
11			
12	G20	24	31
13	E22	1	23
14	A37	16	3
15			
16	G20	21	31
17	Q18	20	180
18	E22	27	23
19			
20			
21			
22			
23			
24			
25			
26	M8	27	51
27			
28	M11	19	51

JACK PIN LG

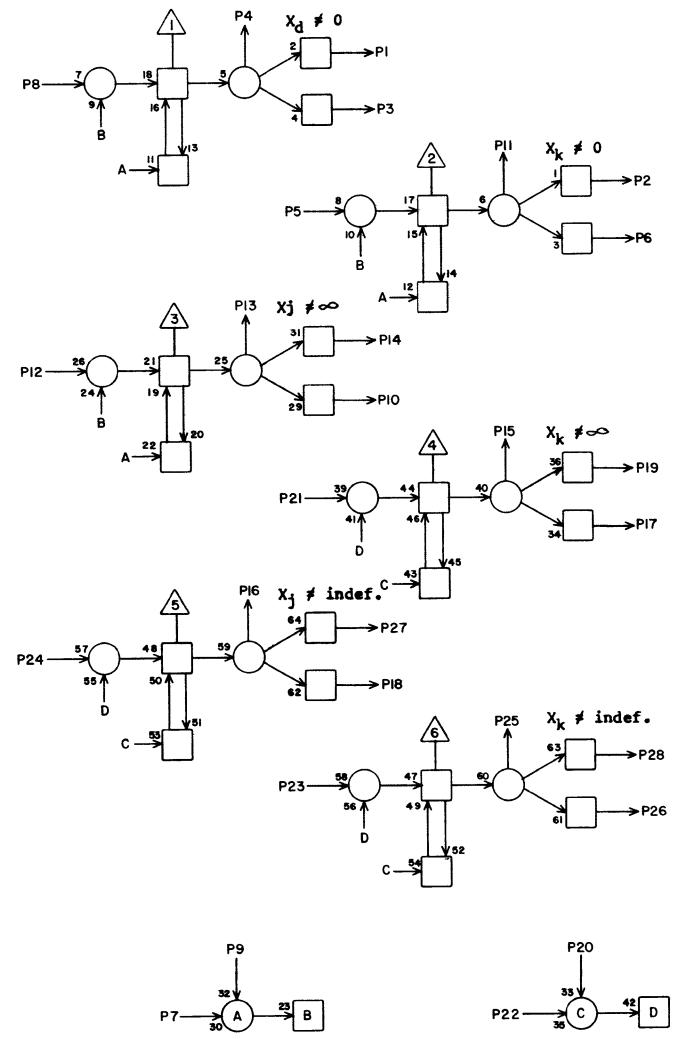
63019700 Rev H



TI 2A39

1	A35	10	7
2	G17	8	33
3	A35	18	7
4			
5	A35	19	7
6			
7			
8			
9	A39	15	3
10	G17	9	33
11	A39	21	5
12			
13	I42	28	35
14			
15	A39	9	3
16	P12	12	65
17	I32	22	180
18	006	12	59
19			
20	H37	10	29
21	A39	11	5
22	B24	17	19
23	I32	21	180
24	B24	20	19
25			
26			
27			
28			

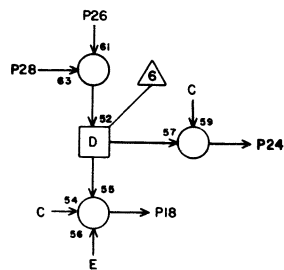
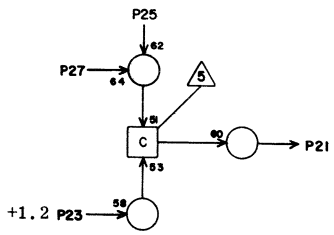
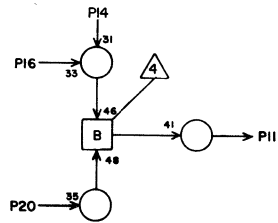
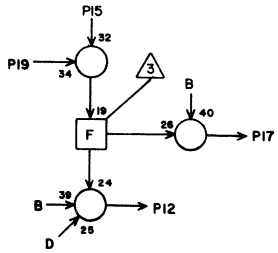
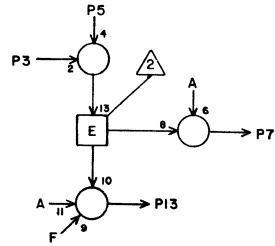
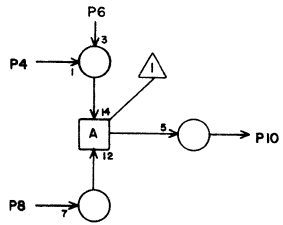
JACK PIN LG



PJ 2A40

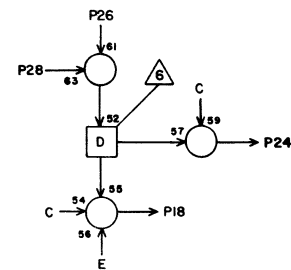
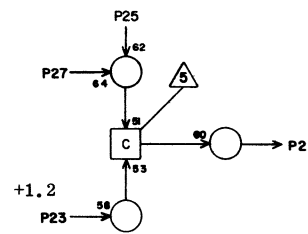
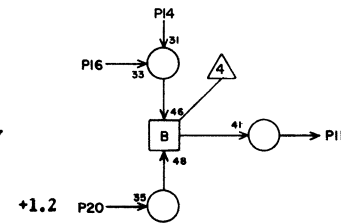
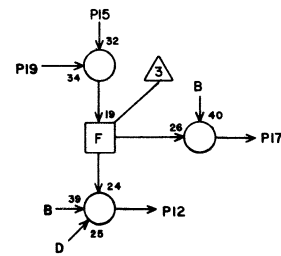
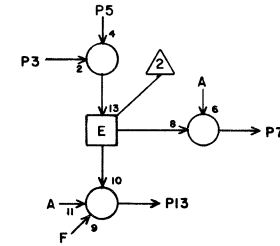
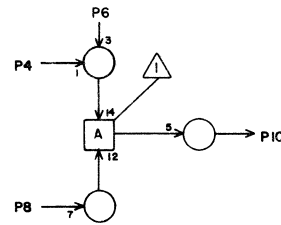
1	B37	6	7
2	B37	4	7
3	G18	15	33
4	D42	16	17
5	B38	5	7
6	J23	23	41
7			
8	B38	14	7
9	I26	12	35
10	J23	21	41
11	B24	27	19
12	B38	2	7
13	B24	28	19
14	B37	5	7
15			
16			
17	G18	17	33
18			
19	B37	3	7
20	I26	14	35
21	B38	23	7
22			
23	B38	22	7
24	B38	16	7
25			
26			
27	G37	2	25
28	G37	4	25

JACK PIN LG



QC		2A41	
1			
2			
3			
4			
5	D35	24	19
6			
7			
8			
9			
10			
11			
12	D35	21	19
13			
14	D36	22	19
15	D35	16	19
16	D33	24	19
17			
18	D38	21	19
19			
20	E28	27	28
21	D34	25	19
22			
23	G20	17	33
24	D35	25	19
25	D33	22	19
26	D34	24	19
27	D36	16	19
28			
JACK	PIN	LG	

63019700 Rev. H

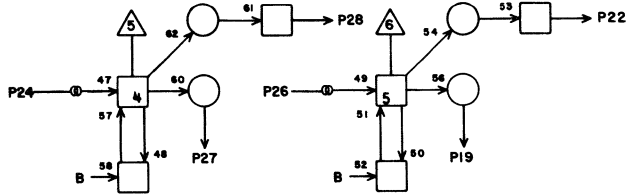
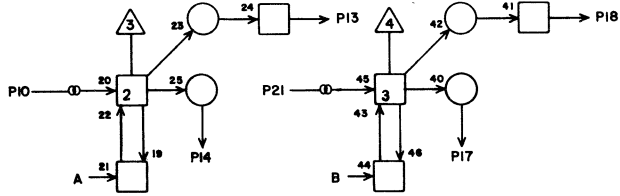
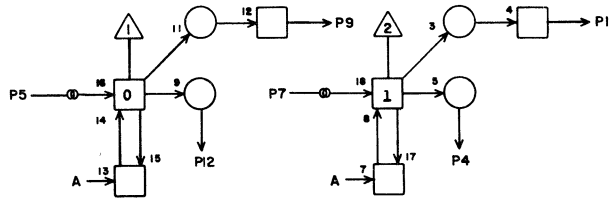


QC		2A42	
1			
2			
3			
4			
5	D39	24	17
6			
7			
8			
9			
10			
11			
12	D39	21	17
13			
14	D40	22	17
15	D39	16	17
16	D37	24	17
17			
18	D40	21	17
19			
20	I12	2	41
21	D38	25	17
22			
23	G20	19	33
24	D39	25	17
25	D37	22	17
26	D38	24	17
27	D40	16	17
28			
JACK	PIN	LG	

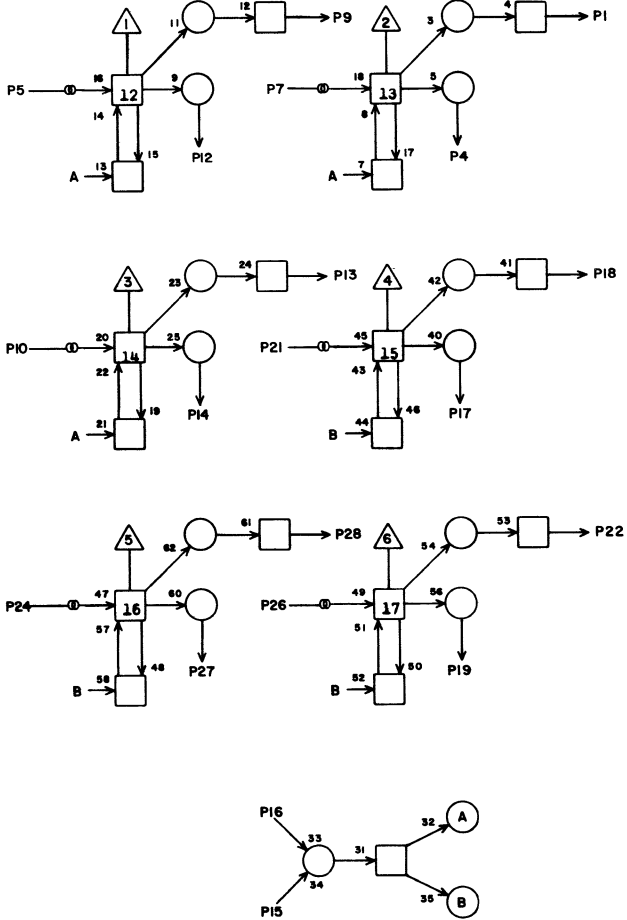
63019700 Rev. H

2A42

PPU DATA TO CM



PPU DATA TO CM



PI

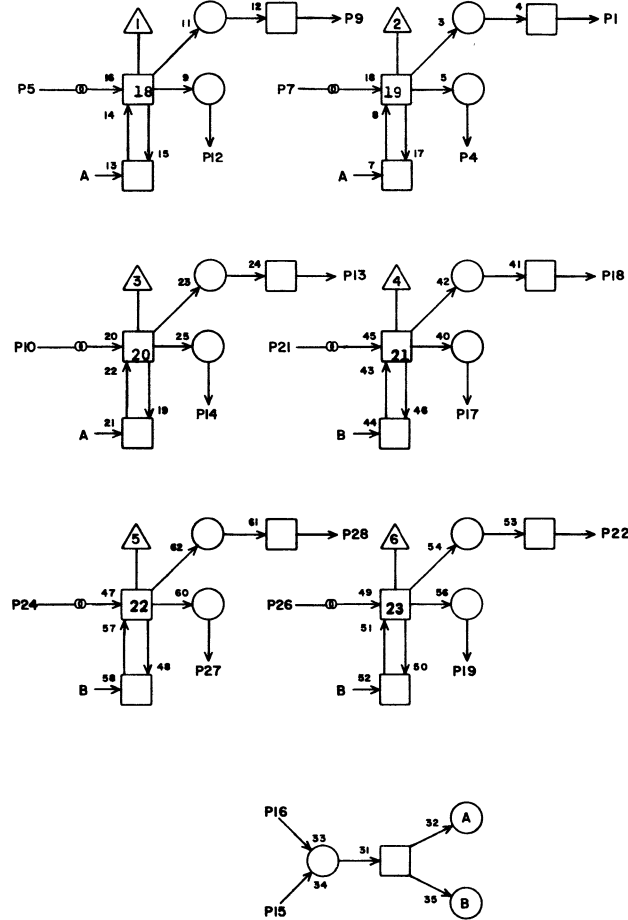
2B3

1	A20	5	19
2			
3			
4			
5	W03	96	
6			
7	W03	97	
8			
9	A20	6	19
10	W03	98	
11			
12			
13	A20	7	19
14			
15	A6	26	9
16	B11	26	11
17			
18	A20	22	19
19			
20			
21	W03	99	
22	A20	23	21
23			
24	W03	900	
25			
26	W03	901	
27			
28	A20	24	19

JACK PIN LG

63019700 Rev. H

PPU DATA TO CM



PI

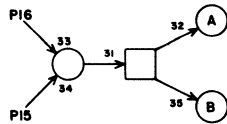
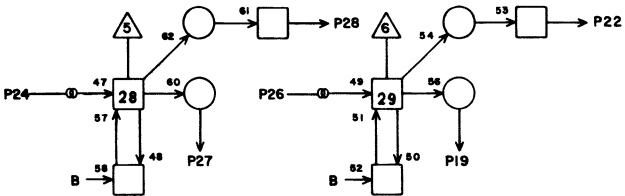
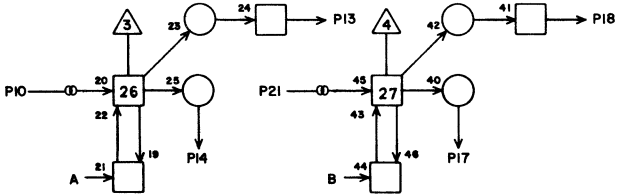
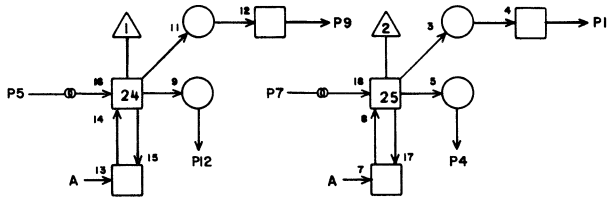
2B4

1	A21	5	19
2			
3			
4			
5	W03	902	
6			
7	W03	903	
8			
9	A21	6	19
10	W03	904	
11			
12			
13	A21	7	19
14			
15	A6	24	7
16	B11	24	11
17			
18	A21	22	21
19			
20			
21	W04	90	
22	A21	23	21
23			
24	W04	91	
25			
26	W04	92	
27			
28	A21	24	19

JACK PIN LG

63019700 Rev. H

PPU DATA TO CM



PI

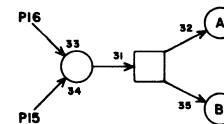
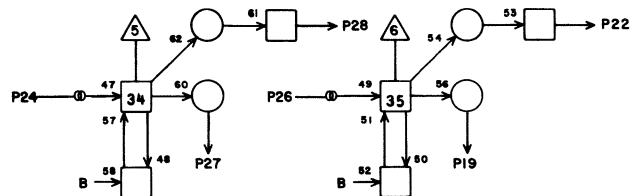
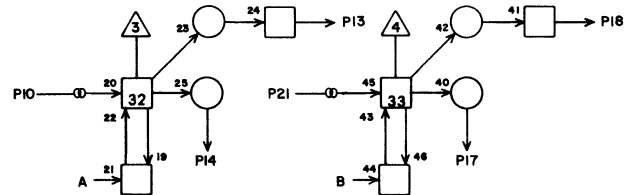
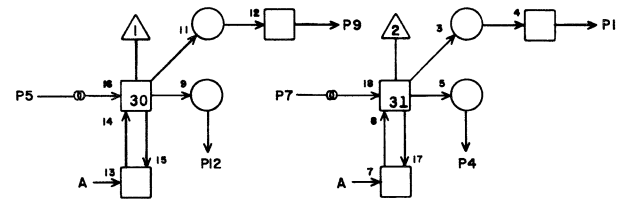
2B5

1	A22	5	19
2			
3			
4			
5	W02	99	
6			
7	W02	900	
8			
9	A22	6	19
10	W02	901	
11			
12			
13	A22	7	19
14			
15	A6	22	7
16	B11	22	9
17			
18	A22	22	19
19			
20			
21	W02	902	
22	A22	23	21
23			
24	W02	903	
25			
26	W02	904	
27			
28	A22	24	19

JACK PIN LG

63019700 Rev. H

PPU DATA TO CM



2B6

PI

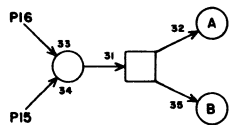
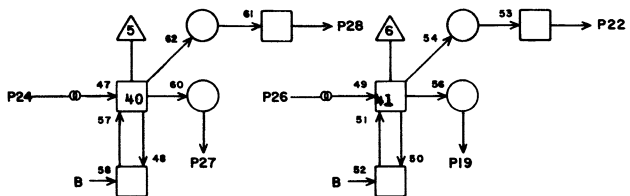
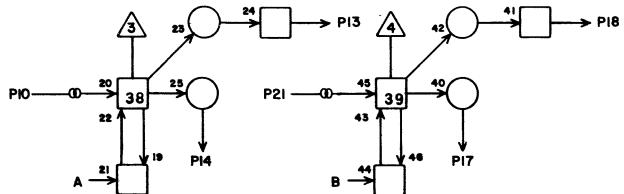
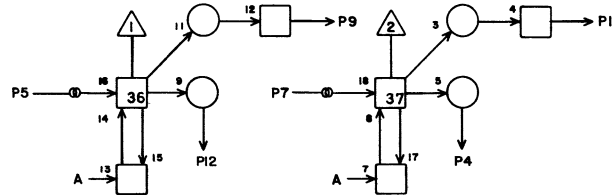
2B6

1	A23	1	19
2			
3			
4			
5	W03	90	
6			
7	W03	91	
8			
9	A23	2	19
10	W03	92	
11			
12			
13	A23	28	19
14			
15	A6	20	7
16	B11	20	9
17			
18	A23	27	19
19			
20			
21	W03	93	
22	A24	1	19
23			
24	W03	94	
25			
26	W03	95	
27			
28	A24	2	19

JACK PIN LG

63019700 Rev. H

PPU DATA TO CM



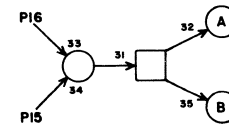
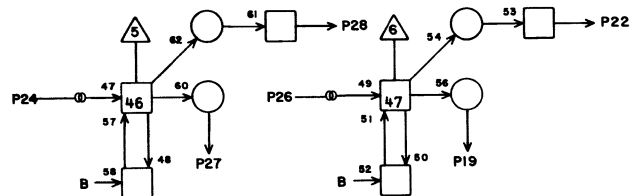
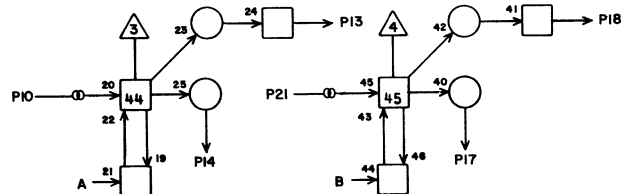
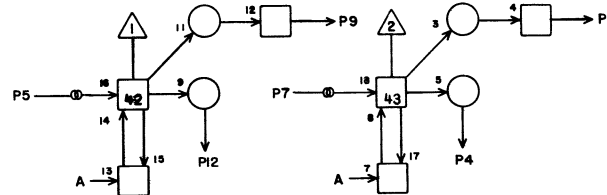
PI 2B7

1	A24	27	19
2			
3			
4			
5	W01	902	
6			
7	W01	903	
8			
9	A24	28	19
10	W01	904	
11			
12			
13	A25	2	19
14			
15	A6	18	7
16	B11	18	7
17			
18	A25	1	19
19			
20			
21	W02	90	
22	A25	7	19
23			
24	W02	91	
25			
26	W02	92	
27			
28	A25	8	19

JACK PIN LG

63019700 Rev. H

PPU DATA TO CM



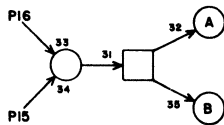
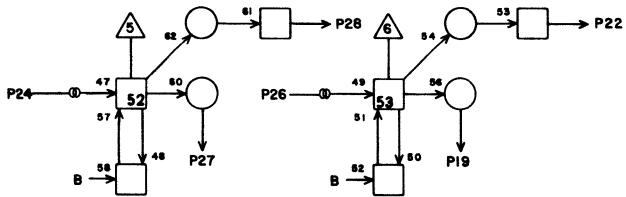
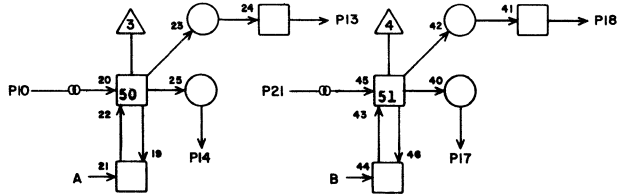
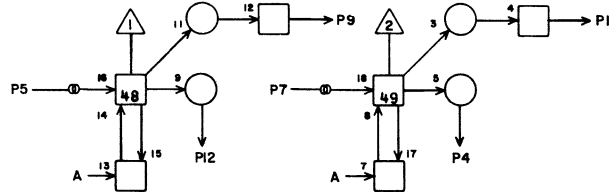
PI 2B8

1	A26	1	19
2			
3			
4			
5	W02	93	
6			
7	W02	94	
8			
9	A26	2	19
10	W02	95	1
11			
12			
13	A26	28	19
14			
15	A6	28	7
16	B11	28	7
17			
18	A26	27	19
19			
20			
21	W02	96	
22	A27	1	21
23			
24	W02	97	
25			
26	W02	98	
27			
28	A27	2	21

JACK PIN LG

63019700 Rev. H

PPU DATA TO CM



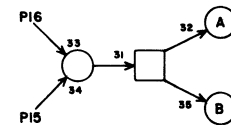
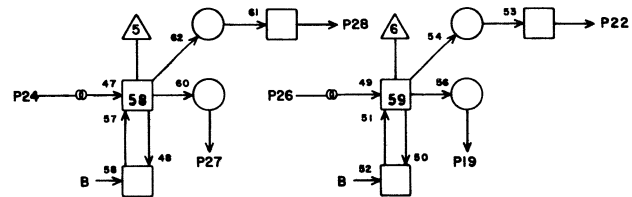
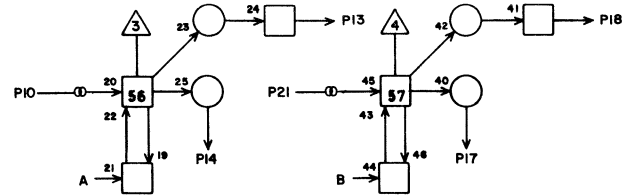
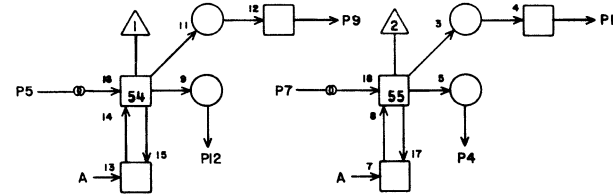
PI

2B9

1	A27	27	19
2			
3			
4			
5	W01	90	
6			
7	W01	91	
8			
9	A27	28	19
10	W01	92	
11			
12			
13	A28	2	19
14			
15	A6	21	7
16	B11	21	7
17			
18	A28	1	19
19			
20			
21	W01	93	
22	A28	7	21
23			
24	W01	94	
25			
26	W01	95	
27			
28	A28	28	19

JACK PIN LG

PPU DATA TO CM

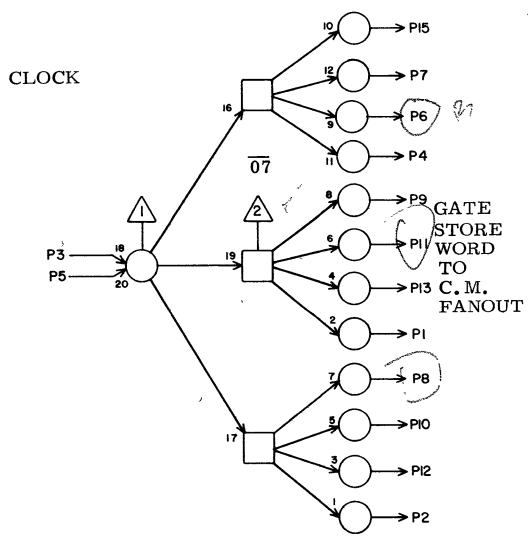


PI

2B10

1	A29	1	19
2			
3			
4			
5	W01	96	
6			
7	W01	97	
8			
9	A29	2	19
10	W01	98	
11			
12			
13	A29	28	19
14			
15	A6	19	9
16	B11	19	5
17			
18	A29	22	19
19			
20			
21	W01	99	
22	A30	1	21
23			
24	W01	900	
25			
26	W01	901	
27			
28	A30	2	19

JACK PIN LG



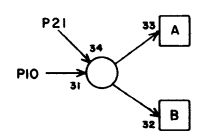
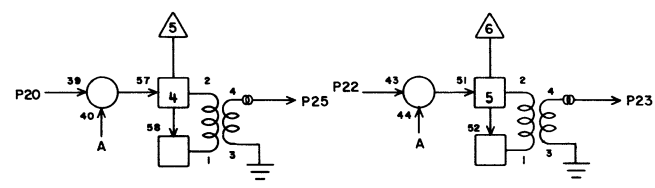
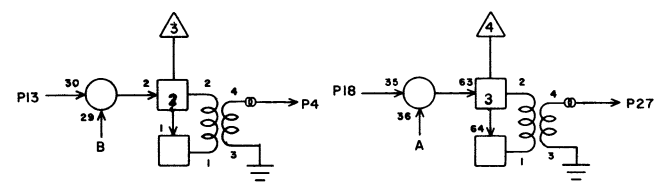
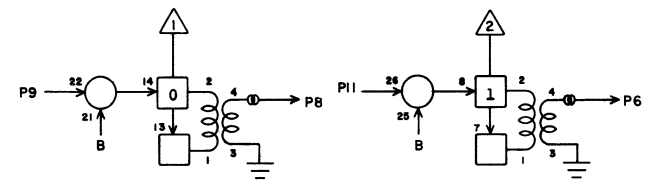
TC 2B11

1	B19	10	11
2			
3		Grd	2
4	B15	10	7
5	C7	21	11
6	B14	10	7
7	B13	10	5
8	B20	10	11
9	B16	10	7
10	B21	10	11
11	B17	10	9
12			
13	B18	10	9
14	C18	4	11
15	B12	10	5
16	A7	12	9
17	C03	21	11
18	B7	16	7
19	B10	16	5
20	B6	16	9
21	B9	16	7
22	B5	16	9
23	B2	16	11
24	B4	16	11
25	B1	16	11
26	B3	16	11
27			
28	B8	16	7

JACK PIN LG

63019700 Rev. AB

STORE WORD TO CM



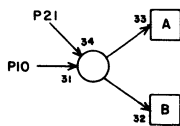
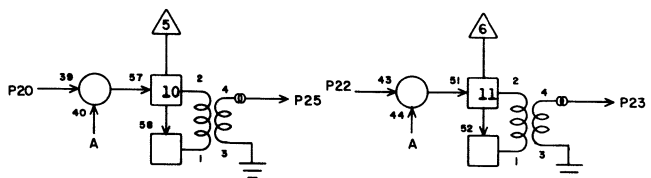
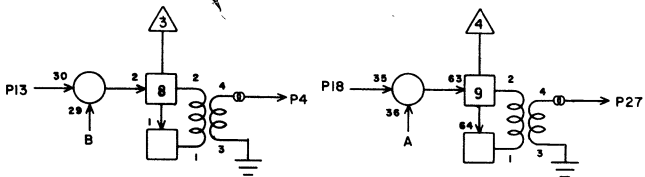
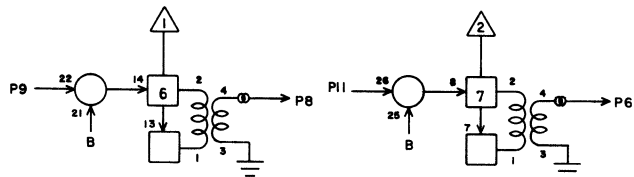
PL 2B12

1			
2			
3			
4	W05	92	
5			
6	W05	93	
7			
8	W05	94	
9	A18	9	11
10	B11	15	5
11	A18	8	11
12			
13	A18	10	11
14			
15			
16			
17			
18	A18	19	11
19			
20	A18	21	11
21		Grd	2
22	A18	20	11
23	W05	95	
24			
25	W05	96	
26			
27	W05	97	
28			

JACK PIN LG

63019700 Rev. H

STORE WORD TO CM



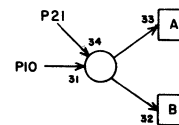
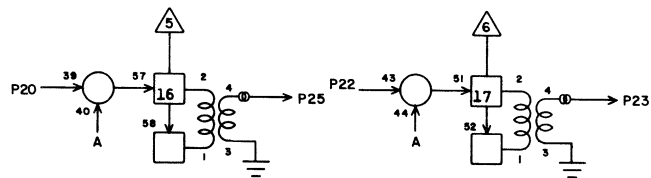
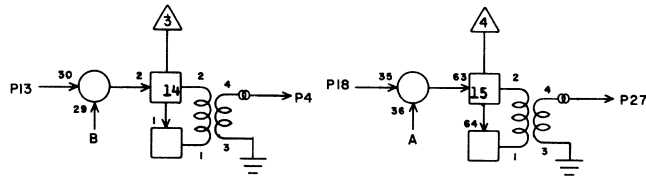
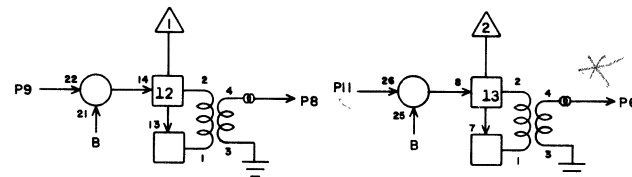
PL 2B13

1			
2			
3			
4	W05	98	
5			
6	W05	97	
7			
8	W05	96	
9	A18	9	11
10	B11	7	5
11	A19	8	11
12			
13	A19	10	11
14			
15			
16			
17			
18	A19	19	11
19			
20	A19	21	11
21		2	
22	A19	20	11
23	W05	901	
24			
25	W05	900	
26			
27	W05	99	
28			

JACK PIN LG

63019700 Rev. H

STORE WORD TO CM



PL 2B14

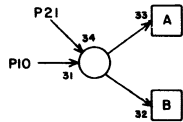
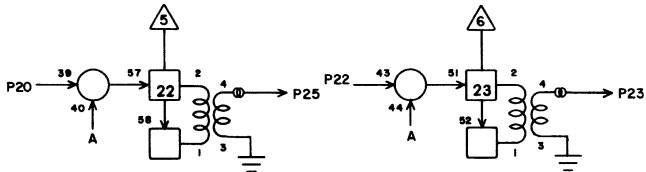
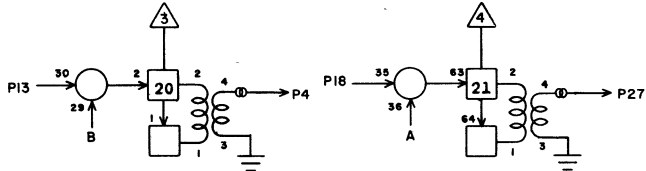
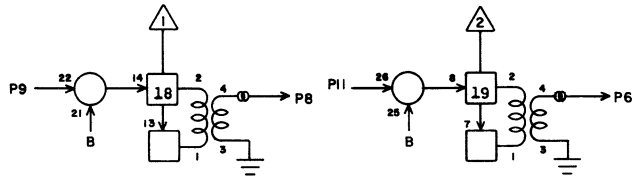
1			
2			
3			
4	W05	904	
5			
6	W05	903	
7			
8	W05	902	
9	A20	9	11
10	B11	6	7
11	A20	8	11
12			
13	A20	10	11
14			
15			
16			
17			
18	A20	19	11
19			
20	A20	21	11
21		2	
22	A20	20	11
23	W06	92	
24			
25	W06	91	
26			
27	W06	90	
28			

JACK PIN LG

63019700 Rev. H

2B14

STORE WORD TO CM



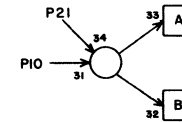
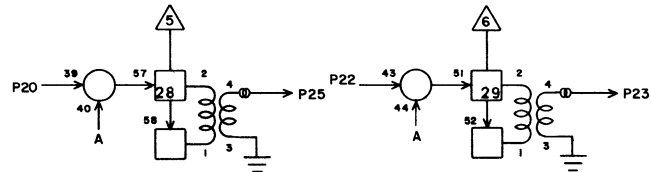
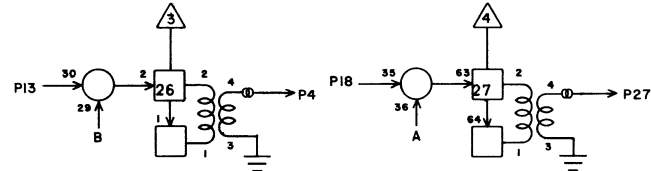
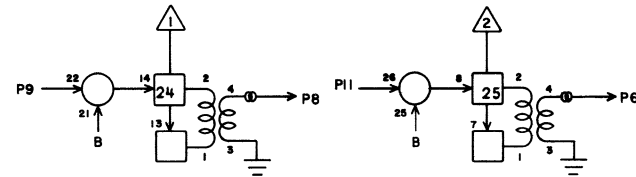
PL 2B15

1			
2			
3			
4	W06	95	
5			
6	W06	94	
7			
8	W06	93	
9	A21	9	11
10	B11	4	7
11	A21	8	11
12			
13	A21	10	11
14			
15			
16			
17			
18	A21	19	11
19			
20	A21	21	11
21		2	
22	A21	20	11
23	W06	98	
24			
25	W06	97	
26			
27	W06	96	
28			

JACK PIN LG

63019700 Rev. H

STORE WORD TO CM



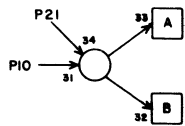
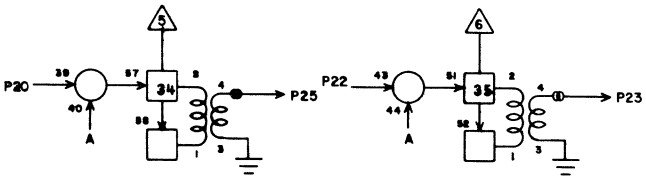
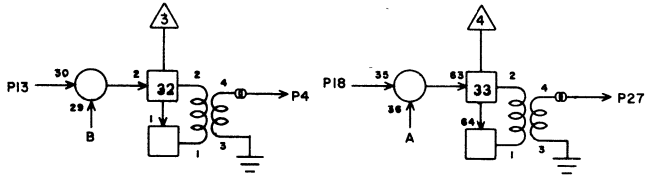
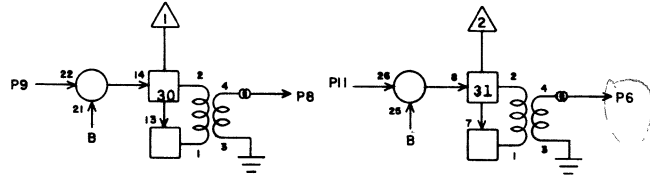
PL 2B16

1			
2			
3			
4	W06	901	
5			
6	W06	900	
7			
8	W06	99	
9	A22	9	11
10	B11	9	7
11	A22	8	11
12			
13	A22	10	11
14			
15			
16			
17			
18	A22	19	11
19			
20	A22	21	11
21		2	
22	A22	20	11
23	W06	904	
24			
25	W06	903	
26			
27	W06	902	
28			

JACK PIN LG

63019700 Rev. H

STORE WORD TO CM



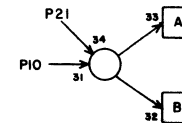
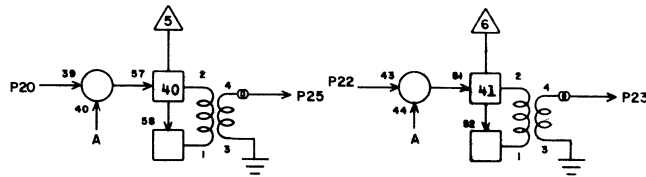
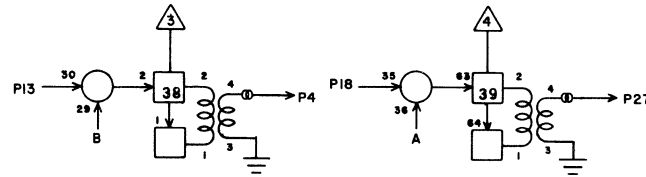
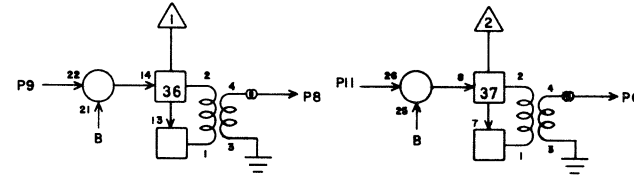
PL 2B17

1			
2			
3			
4	W07	92	
5			
6	W07	91	
7			
8	W07	90	
9	A23	13	11
10	B11	11	9
11	A23	10	11
12			
13	A23	17	11
14			
15			
16			
17			
18	A23	20	11
19			
20	A24	13	11
21		2	
22	A24	10	11
23	W07	95	
24			
25	W07	94	
26			
27	W07	93	
28			

JACK PIN LG

63019700 Rev. H

STORE WORD TO CM



PL 2B18

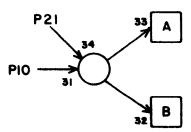
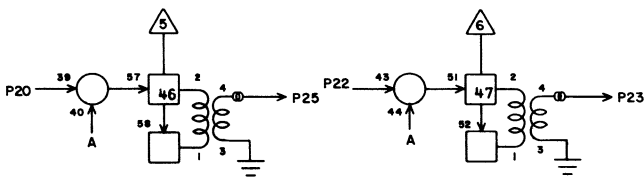
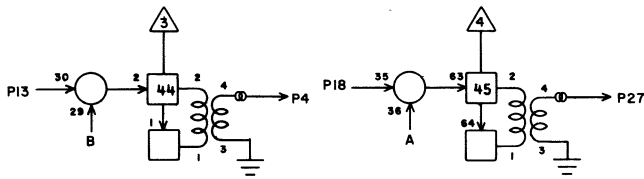
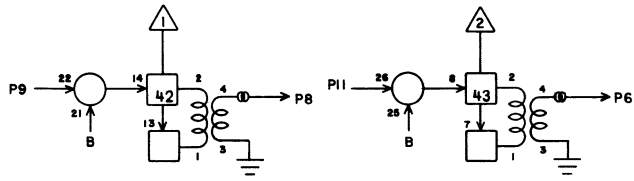
1			
2			
3			
4	W7	98	
5			
6	W7	97	
7			
8	W7	96	
9	A24	17	11
10	B11	13	9
11	A24	20	11
12			
13	A25	13	11
14			
15			
16			
17			
18	A25	10	11
19			
20	A25	17	11
21		Grd	2
22	A25	20	11
23	W7	901	
24			
25	W7	900	
26			
27	W7	99	
28			

JACK PIN LG

63019700 Rev. H

2B18

STORE WORD TO CM

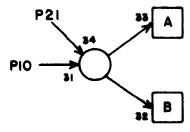
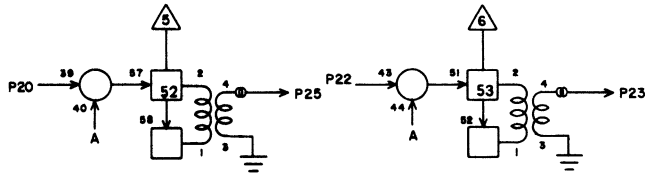
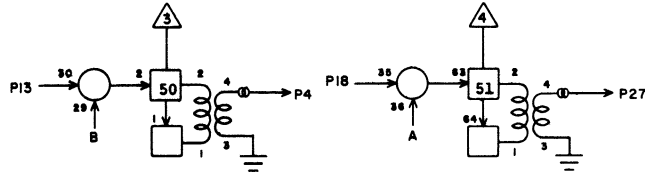
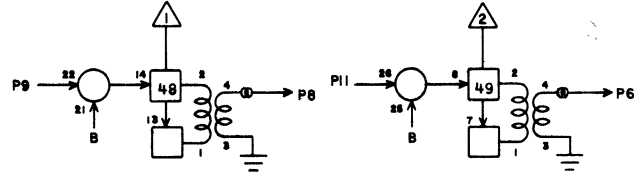


PL 2B19

1			
2			
3			
4	W7	904	
5			
6	W7	903	
7			
8	W7	902	
9	A26	13	11
10	B11	1	11
11	A26	10	11
12			
13	A26	17	11
14			
15			
16			
17			
18	A26	20	11
19			
20	A27	13	11
21		Grd	2
22	A27	10	11
23	W8	92	
24			
25	W8	91	
26			
27	W8	90	
28			

JACK PIN LG
63019700 Rev. H

STORE WORD TO CM



PL 2B20

1			
2			
3			
4	W8	95	
5			
6	W8	94	
7			
8	W8	93	
9	A27	17	11
10	B11	8	11
11	A27	20	11
12			
13	A28	13	11
14			
15			
16			
17			
18	A28	10	11
19			
20	A28	17	11
21	B20	Grd	2
22	A28	20	11
23	W8	98	
24			
25	W8	97	
26			
27	W8	96	
28			

JACK PIN LG
63019700 Rev. H

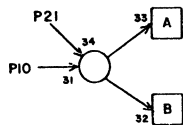
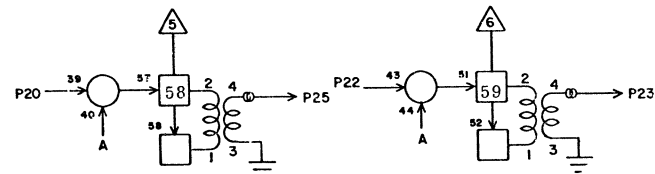
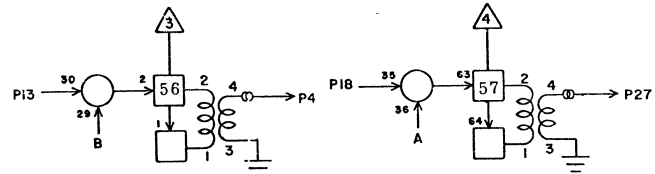
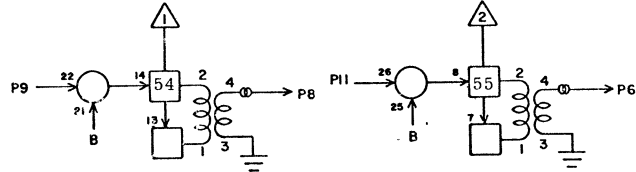
LS 63058600
ASSY

C
REV

STORE WORD TO CM

PL

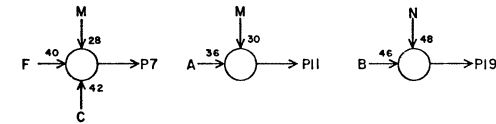
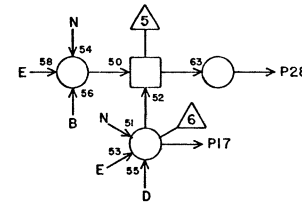
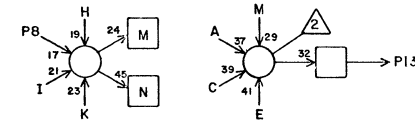
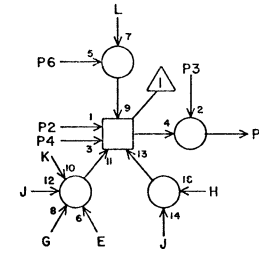
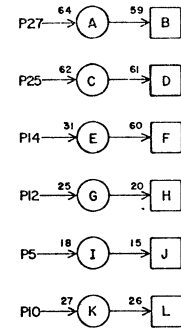
2B21



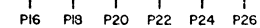
1		
2		
3		
4	W8	901
5		
6	W8	900
7		
8	W8	99
9	A29	13 11
10	B11	10 11
11	A29	10 11
12		
13	A29	17 11
14		
15		
16		
17		
18	A29	20 11
19		
20	A30	13 11
21	B21	Grd 2
22	A30	10 11
23	W8	904
24		
25	W8	903
26		
27	W8	902
28		

JACK PIN LG
CIRCUIT SPECIFICATION 11627600

63019700 Rev H



MEMORY MARGIN TO DEAD START PANEL
(Bus wire)



2B22

PV

2B22

1		
2		
3		
4		
5		
6		
7		
8		
9		
10		
11		
12		
13		
14		
15		
16	W08	905
17		
18	W07	905
19		
20	W06	905
21		
22	W05	905
23		
24	W18	935
25		
26	W18	934
27		
28		

JACK PIN LG

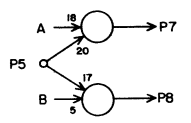
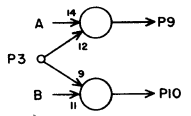
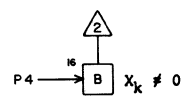
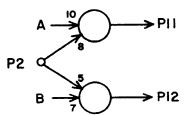
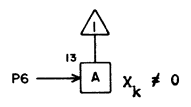
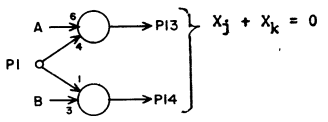
63019700 Rev. H

IH

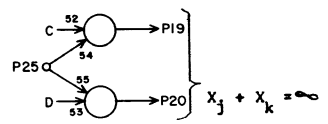
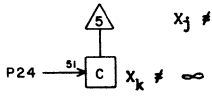
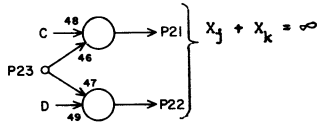
	JACK	PIN	LG
1	B38	7	17
2			
3			
4	B24	16	5
5			
6	B24	13	5
7			
8			
9			
10			
11			
12			
13	B24	4	5
14	B24	5	5
15			
16			
17			
18			
19	A38	11	180
20			
21	B24	2	5
22	B24	1	5
23	B38	10	17
24	B24	15	5
25	B38	4	17
26	B24	18	5
27			
28			

JACK PIN LG

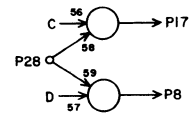
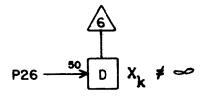
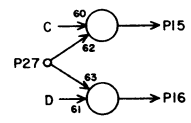
$X_j \neq 0$



$X_j \neq 0$



$X_j \neq 0$



TL

	JACK	PIN	LG
1	B23	22	5
2	B23	21	5
3	B36	12	13
4	B23	13	5
5	B23	14	5
6			
7	B36	13	13
8	B36	20	13
9	D19	26	13
10	B36	2	13
11	D19	6	13
12	B33	26	11
13	B23	6	5
14	B34	26	11
15	B23	24	5
16	B23	4	5
17	A39	22	19
18	B23	26	5
19	B37	13	13
20	A39	24	19
21	A31	2	17
22	B36	22	13
23	B38	11	17
24	B38	13	17
25	B38	17	17
26	B38	27	17
27	A40	11	19
28	A40	13	19

JACK PIN LG

$X_j + X_k = \infty$

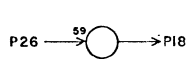
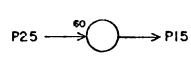
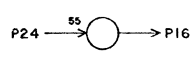
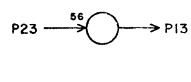
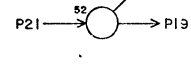
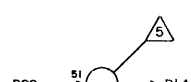
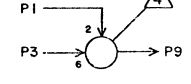
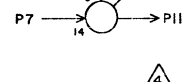
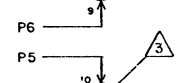
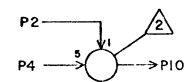
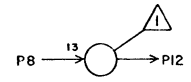
$X_j + X_k = 0$

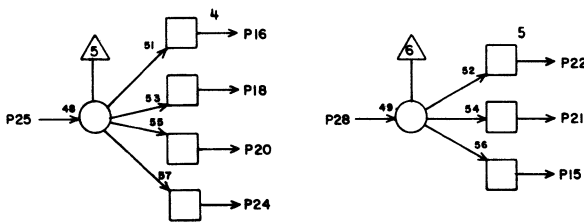
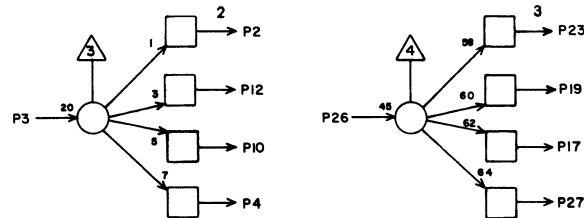
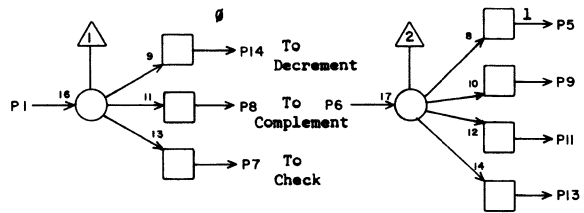
$X_j + X_k = 0$

Indef.

$X_j + X_k = \infty$

Indef.



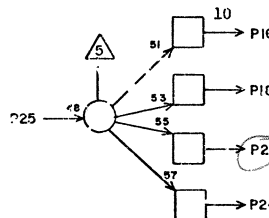
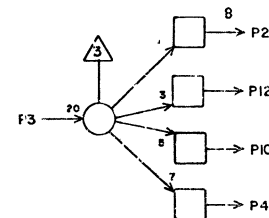
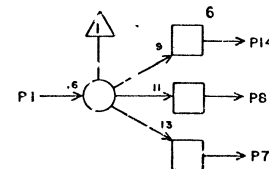


Mult. 1

TH 2B25

1	B29	9	7
2	A33	5	11
3	B29	10	7
4			
5	A33	2	13
6	B29	8	7
7	D13	8	19
8	F31	10	19
9	F31	7	19
10	D13	22	19
11	D13	1	19
12	F31	24	19
13			
14	A33	8	11
15	D13	24	19
16	A33	22	11
17	D13	21	19
18	F32	10	19
19	F31	21	19
20	D13	23	19
21	F32	7	19
22	A33	21	11
23	A33	1	11
24			
25	B29	21	7
26	B29	19	7
27			
28	B29	20	7

JACK PIN LG
63019700 Rev. H



Mult 1

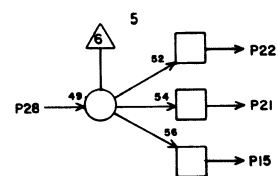
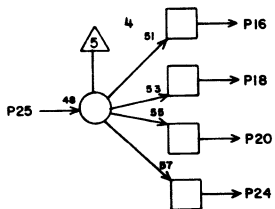
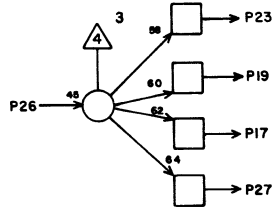
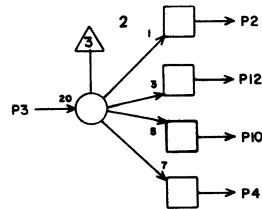
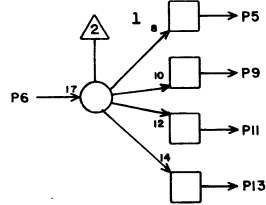
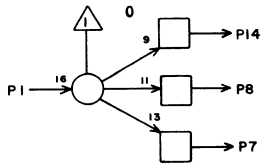
TH 2B26

1	B30	9	7
2	A33	25	11
3	B30	10	7
4			
5	A33	24	11
6	B30	8	7
7	D13	25	19
8	F32	24	21
9	F32	21	21
10	D13	27	19
11	D13	26	19
12	F33	10	21
13			
14	A33	23	11
15	D13	28	19
16	A33	27	11
17	D12	8	17
18	F33	24	21
19	F33	21	21
20	D12	5	19
21	F33	7	21
22	A33	26	11
23	A33	28	11
24	D15	9	17
25	B30	21	7
26	B30	20	7
27	E03	7	33
28	B30	19	7

JACK PIN LG

63019700 Rev. Z

2B26

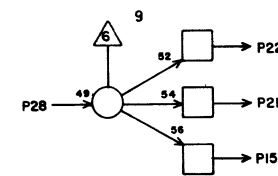
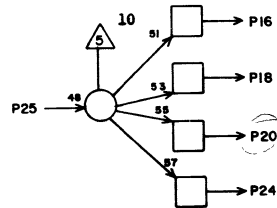
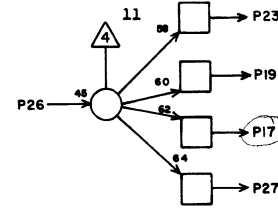
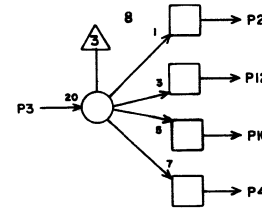
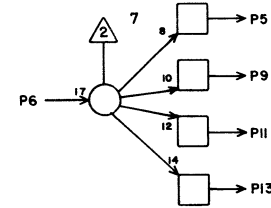
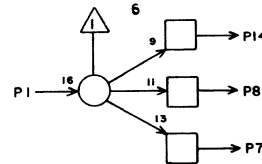


Mult. 2

TH 2B27

1	B31	9	7
2	A34	5	11
3	B31	10	7
4			
5	A34	2	11
6	B31	8	7
7	D14	8	17
8	F37	10	21
9	F37	7	21
10	D14	22	17
11	D14	1	17
12	F37	24	21
13			
14	A34	8	11
15	D14	24	17
16	A34	22	11
17	D14	21	17
18	F38	10	21
19	F37	21	21
20	D14	23	17
21	F38	7	21
22	A34	21	11
23	A34	1	11
24			
25	B31	21	7
26	B31	19	7
27			
28	B31	20	7

JACK PIN LG
63019700 Rev.H



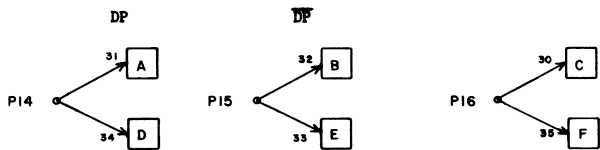
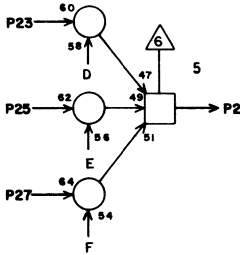
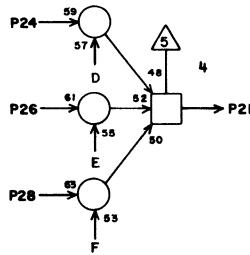
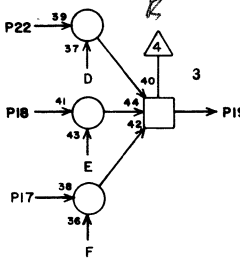
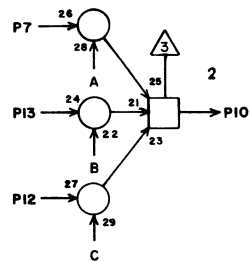
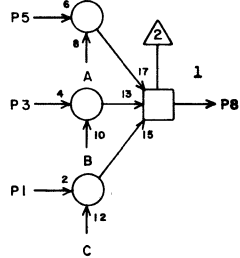
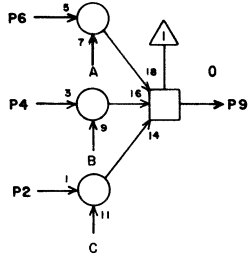
Mult. 2

TH 2B28

1	B32	9	7
2	A34	25	11
3	B32	10	7
4			
5	A34	24	11
6	B32	8	7
7	D14	25	19
8	F38	24	23
9	F38	21	23
10	D14	27	19
11	D14	26	19
12	F39	10	23
13			
14	A34	23	11
15	D14	28	19
16	A34	27	11
17	D12	3	19
18	F39	24	23
19	F39	21	23
20	D12	1	19
21	F39	7	23
22	A34	26	11
23	A34	28	11
24	D15	24	17
25	B32	21	7
26	B32	20	7
27	E03	18	33
28	B32	19	7

JACK PIN LG
63019700 Rev. Z

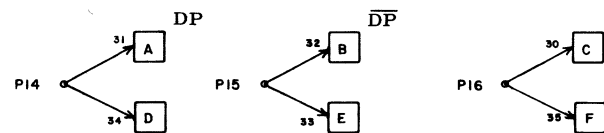
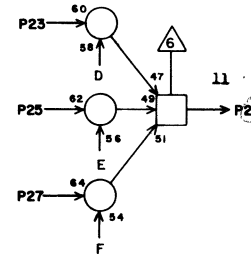
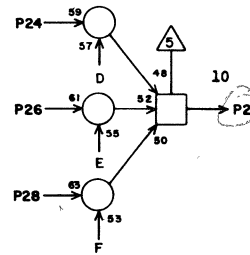
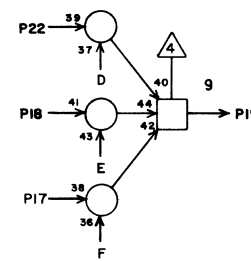
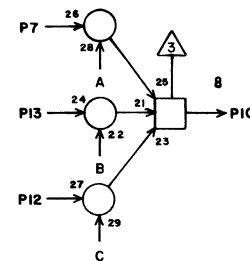
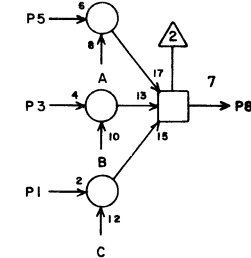
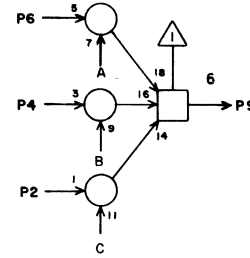
MULTIPLY 1, SELECT D.P. OR $\overline{D.P.}$ EXPONENT



TE		2B29	
1			
2			
3	C38	4	11
4	C38	12	11
5	G33	11	25
6	G33	14	25
7	G33	20	25
8	B25	6	7
9	B25	1	7
10	B25	3	7
11			
12			
13	C38	27	11
14	D19	22	17
15	D19	16	17
16			
17			
18	C38	19	11
19	B25	26	7
20	B25	28	7
21	B25	25	7
22	G33	17	25
23	G34	11	25
24	G34	14	25
25	G34	4	11
26	C39	12	13
27			
28			

JACK PIN LG
63019700 Rev. H

MULTIPLY 1, SELECT D.P. OR $\overline{D.P.}$ EXPONENT



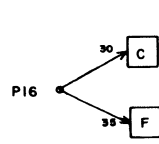
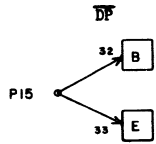
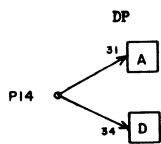
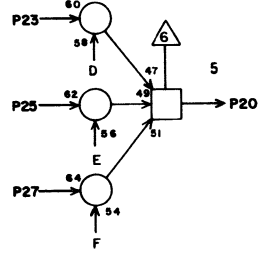
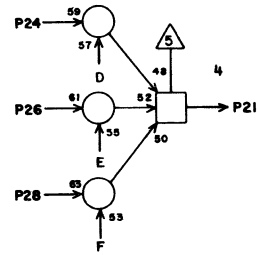
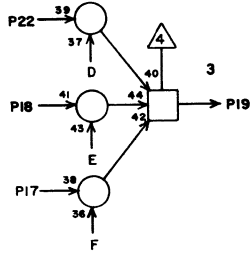
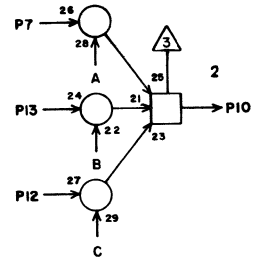
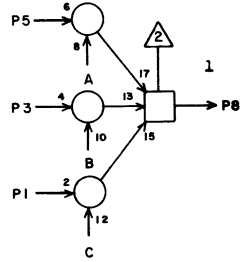
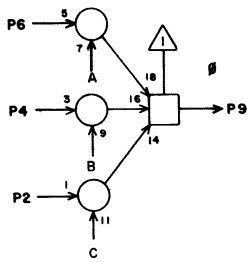
2B30

TE 2B30

TE		2B30	
1			
2			
3	C39	19	13
4	C39	27	13
5	G34	17	23
6	G34	20	23
7	G35	14	23
8	B26	6	7
9	B26	1	7
10	B26	3	7
11			
12			
13	C40	12	13
14	D19	21	17
15	D19	18	17
16			
17			
18	C40	4	13
19	B26	28	7
20	B26	26	7
21	B26	25	7
22	G35	11	23
23	A31	14	7
24	G35	20	23
25	C40	19	13
26	C40	27	13
27			
28			

JACK PIN LG
63019700 Rev. H

MULTIPLY 2, SELECT D.P. OR $\overline{D.P.}$ EXPONENT

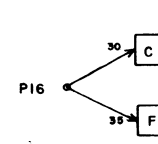
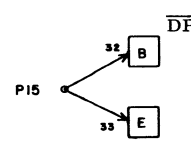
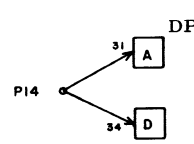
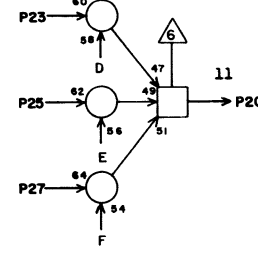
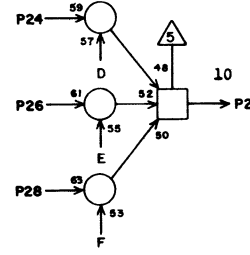
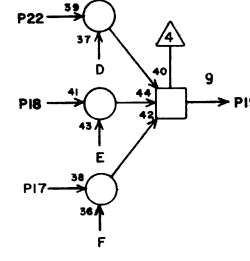
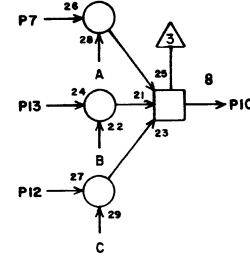
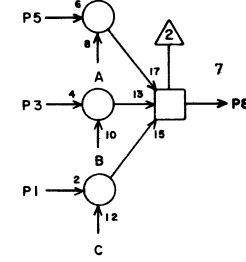
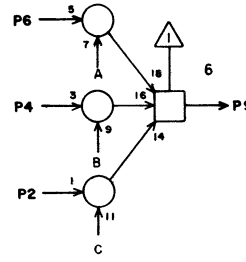


TE 2B31

1			
2			
3	C41	4	13
4	C41	12	13
5	G38	11	25
6	G38	14	25
7	G38	20	25
8	B27	6	7
9	B27	1	7
10	B27	3	7
11			
12			
13	C41	27	13
14	G21	23	25
15	G21	2	25
16			
17			
18	C41	19	13
19	B27	26	7
20	B27	28	7
21	B27	25	7
22	G38	17	25
23	G39	11	25
24	G39	14	25
25	C42	4	13
26	C42	12	13
27			
28			

JACK PIN LG
63019700 Rev. H

MULTIPLY 2, SELECT D.P. OR $\overline{D.P.}$ EXPONENT



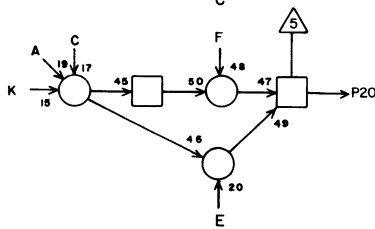
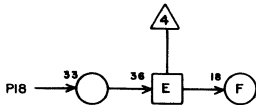
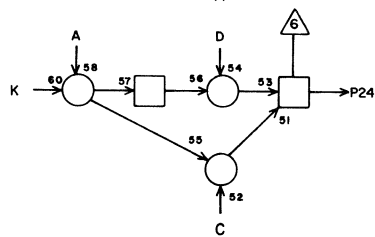
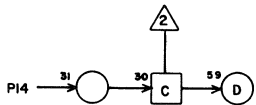
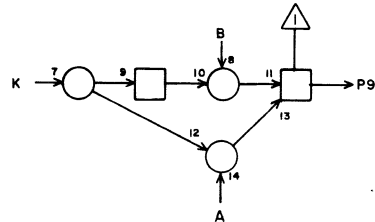
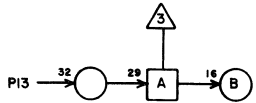
TE 2B32

1			
2			
3	C42	19	13
4	C42	27	13
5	G39	17	25
6	G39	20	25
7	G40	14	25
8	B28	6	7
9	B28	1	7
10	B28	3	7
11			
12			
13	D41	12	13
14	G21	19	25
15	G21	12	25
16			
17			
18	D41	4	13
19	B28	28	7
20	B28	26	7
21	B28	25	7
22	G40	11	23
23	A31	5	9
24	G40	20	23
25	D41	19	13
26	D41	27	13
27			
28			

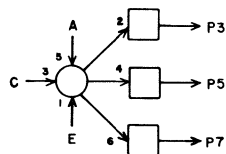
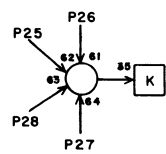
JACK PIN LG
63019700 Rev. I

EXP. $X_j - X_k - 57_8 (47_{10})$

BIT 11



Result # 0



DIVIDE

QK

2B33

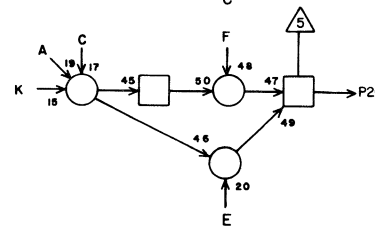
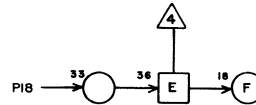
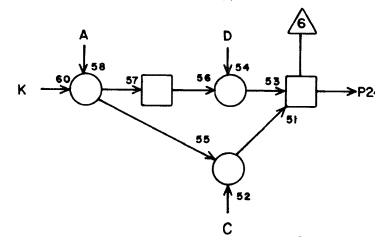
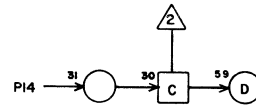
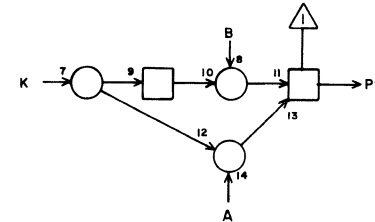
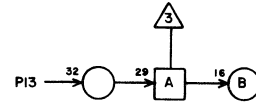
1			
2			
3			
4			
5			
6			
7			
8			
9	F19	26	23
10			
11			
12			
13	F30	27	21
14			
15			
16			
17			
18			
19			
20			
21			
22			
23			
24			
25			
26	B24	12	11
27			
28			

JACK PIN LG

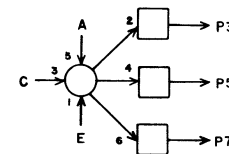
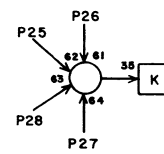
63019700 Rev. H

EXP. $X_j - X_k - 60_8 (48_{10})$

BIT 11



Result # 0



DIVIDE

2B34

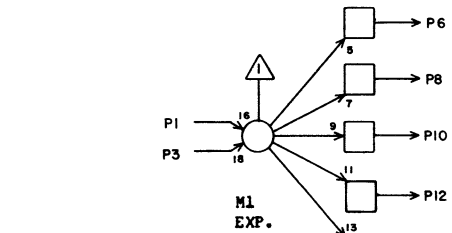
QK

2B34

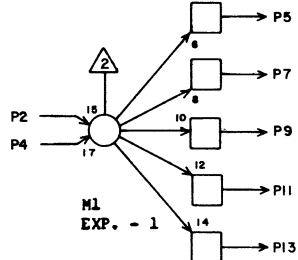
1			
2			
3			
4			
5			
6			
7			
8			
9	F19	24	23
10			
11			
12			
13	F27	27	23
14			
15			
16			
17			
18			
19			
20			
21			
22			
23			
24			
25			
26	B24	14	11
27			
28			

JACK PIN LG

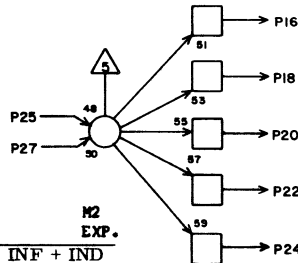
63019700 Rev.H



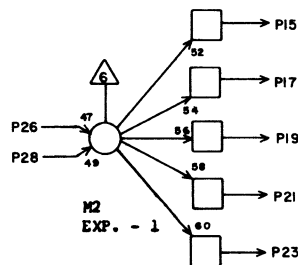
M1 $\overline{OF + UF + INF + IND}$
t600-700



M1 EXP. - 1



M2 $\overline{OF + UF + INF + IND}$
t600-700



M2 EXP. - 1

T D

2B35

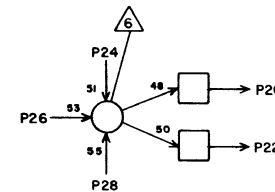
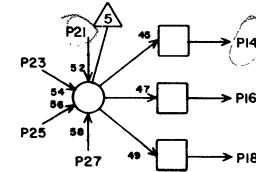
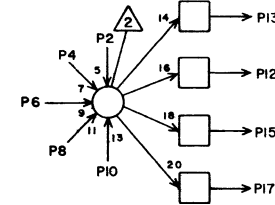
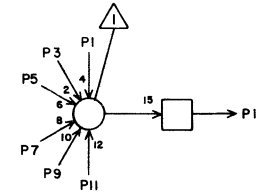
1	A35	19	7
2	E17	19	23
3	E20	20	23
4	J42	18	33
5	J03	26	49
6	G31	11	25
7			
8	G31	20	25
9			
10	H37	1	27
11			
12			
13			
14			
15	J03	24	49
16	G31	20	25
17			
18	G31	28	25
19			
20	H42	1	25
21			
22			
23			
24			
25	A35	15	9
26	E17	25	23
27	E21	20	23
28	J42	20	33

JACK PIN LG

63019700 Rev. Z

T B

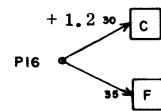
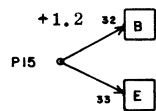
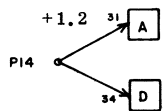
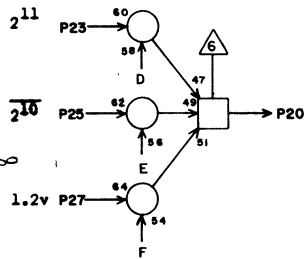
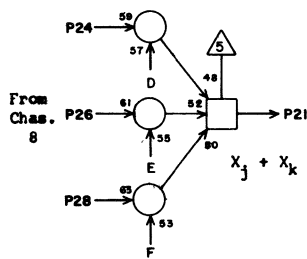
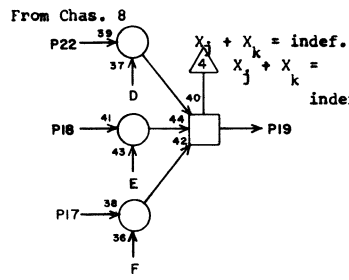
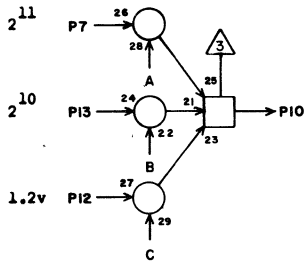
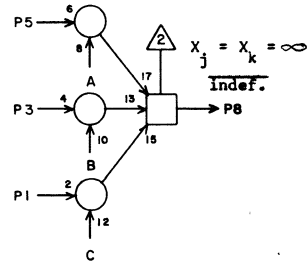
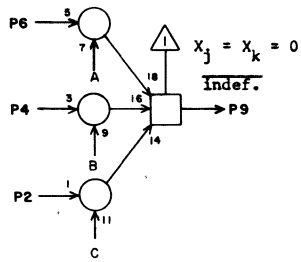
2B36



1	H25	7	29
2	B24	10	13
3	H25	9	29
4	B38	18	5
5			
6	B38	21	5
7			
8			
9			
10			
11			
12	B24	3	13
13	B24	7	13
14	I42	26	31
15	E20	18	23
16	J42	23	35
17	C15	26	23
18	A35	23	9
19	E22	6	23
20	B24	8	13
21	A32	11	9
22	B24	22	13
23	E20	19	23
24	E22	10	23
25	E20	12	23
26	G37	15	23
27			
28			

JACK PIN LG

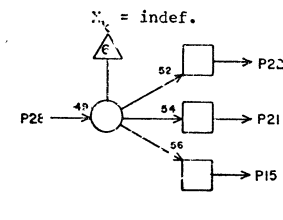
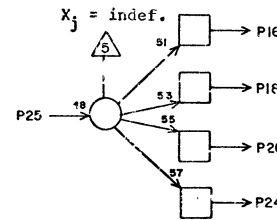
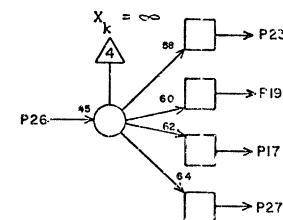
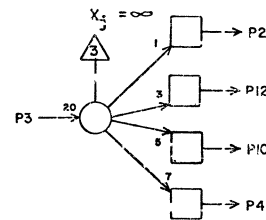
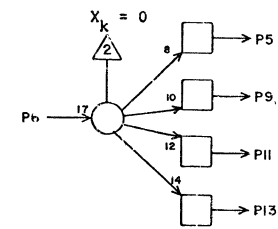
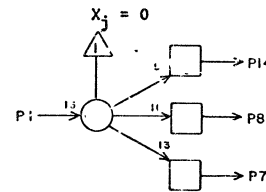
63019700 Rev. AF



TE		2B37	
1	E28	21	19
2	E28	28	19
3	A40	19	7
4	A40	2	7
5	A40	14	7
6	A40	1	7
7	D12	14	29
8	G37	6	23
9	G37	8	23
10	D42	20	11
11			
12	D10	19	31
13	B24	19	19
14	G20	20	29
15	G20	18	29
16	E28	18	19
17	E37	27	19
18	A38	8	9
19	E01	20	37
20	D42	17	13
21	E01	22	37
22	E02	9	37
23	D12	16	29
24	A38	10	9
25	A31	12	11
26	E02	1	37
27	E28	17	17
28	E39	27	17

JACK PIN LG
63019700 Rev. Z

OPERAND ERROR MODE TEST



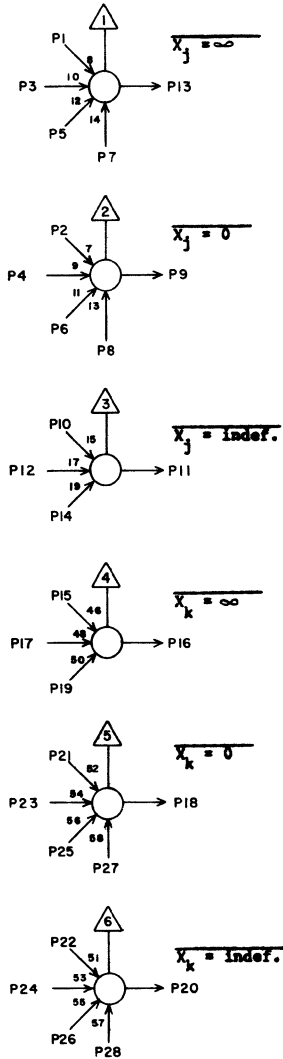
2B38

JH 2B38

1	B39	9	5
2	A40	12	7
3	B39	13	5
4	B23	25	17
5	A40	5	7
6	B39	18	5
7	B23	1	17
8			
9			
10	B23	23	17
11	B24	23	17
12			
13	B24	24	17
14	A40	8	7
15	A35	3	11
16	A40	24	7
17	B24	25	17
18	B36	4	5
19			
20	A35	1	11
21	B36	6	5
22	A40	23	7
23	A40	21	7
24			
25	B39	11	5
26	B39	16	5
27	B24	26	17
28	B39	20	5

JACK PIN LG
63019700 Rev. H

OPERAND ERROR MODE TEST

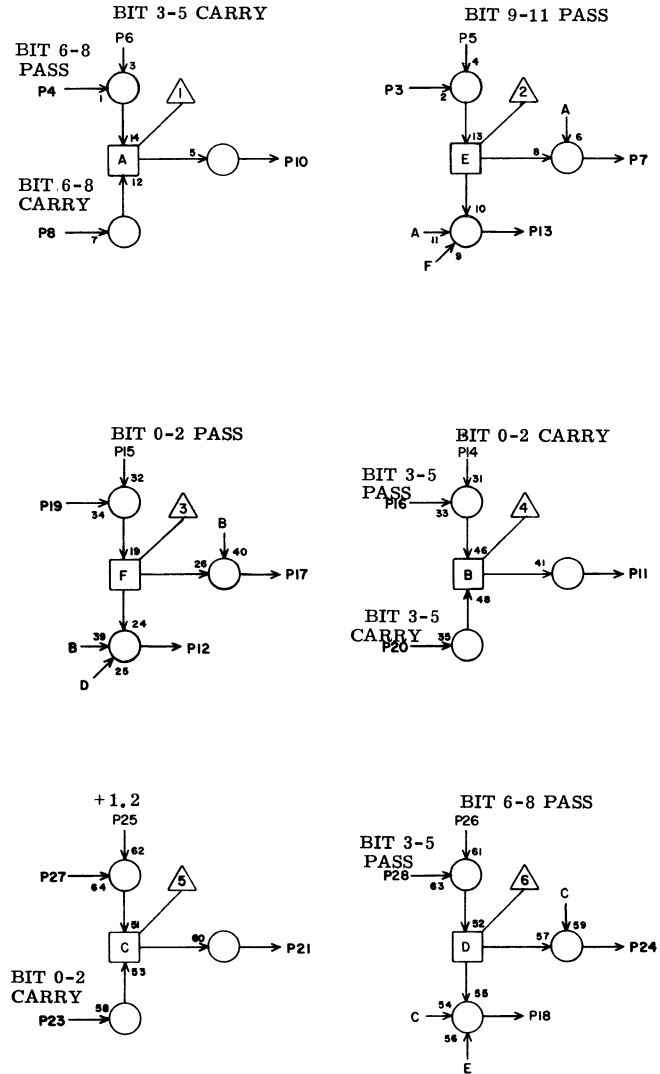


TI **2B39**

1			
2			
3	E29	2	19
4	E29	28	21
5	E29	13	19
6	E29	15	19
7			
8			
9	B38	1	5
10	E25	28	23
11	B38	25	5
12	E25	15	23
13	B38	3	5
14			
15	E30	8	17
16	B38	26	5
17	E30	13	17
18	B38	6	5
19			
20	B38	28	5
21	E30	28	17
22	E25	2	23
23	E30	15	17
24	E25	13	23
25			
26			
27			
28			

JACK PIN LG

DIVIDE EXPONENT $X_j - X_k - 60_8$

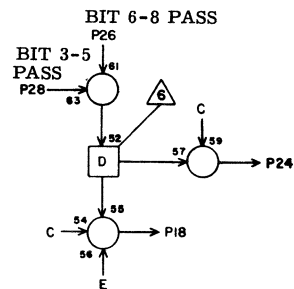
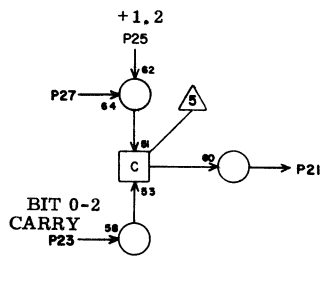
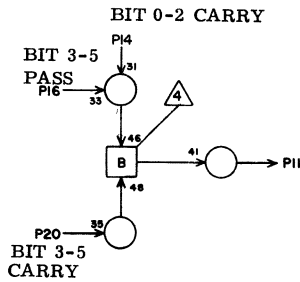
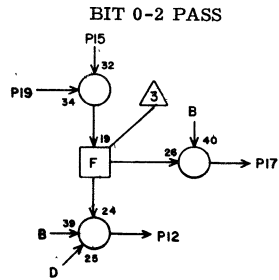
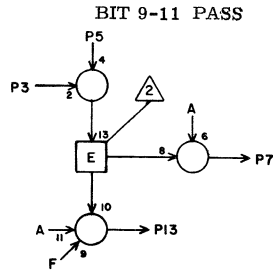
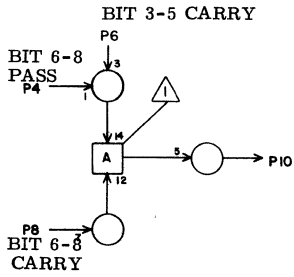


QC **2B40**

1			
2			
3			
4	D31	22	17
5	D32	20	13
6	D30	16	17
7	D29	25	17
8	D31	14	17
9			
10	D32	27	13
11	D31	27	17
12			
13	D30	27	17
14	D29	16	17
15	D29	20	17
16	D30	22	17
17			
18	D29	27	17
19			
20	D30	14	17
21	D30	21	17
22			
23	D29	14	17
24	D32	25	13
25	E42	27	17
26	D31	20	17
27			
28	D30	20	17

JACK PIN LG

MULTIPLY 1 EXPONENT $X_j + X_k + 60_8$

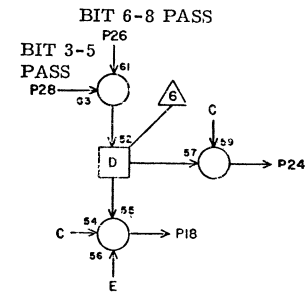
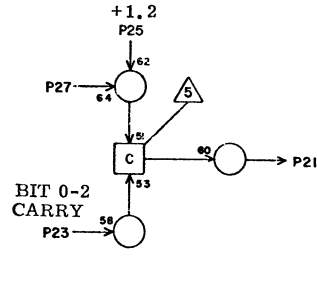
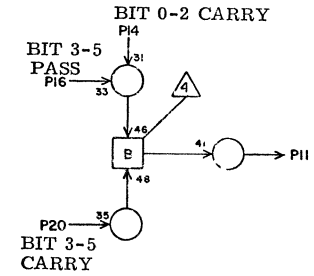
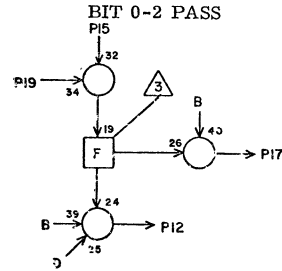
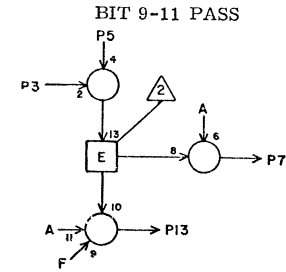
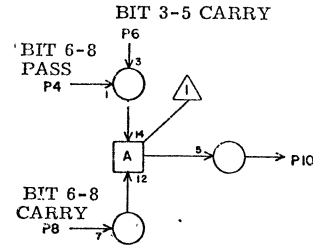


QC 2B41

1			
2			
3			
4	D35	20	13
5	D36	20	13
6	D34	14	13
7	D33	25	13
8	D35	14	13
9			
10	D36	27	13
11	D35	27	13
12			
13	D34	27	13
14	D33	14	13
15	D33	20	13
16	D34	20	13
17			
18	D33	27	15
19			
20	D34	16	15
21	D34	21	15
22			
23	D33	16	15
24	D36	25	13
25	G41	17	23
26	D35	22	15
27			
28	D34	22	15

JACK PIN LG

MULTIPLY 2 EXPONENT $X_j + X_k + 60_8$



QC 2B42

1			
2			
3			
4	D39	20	13
5	D40	20	13
6	D38	14	13
7	D37	25	13
8	D39	14	13
9			
10	D40	27	13
11	D39	27	13
12			
13	D38	27	13
14	D37	14	13
15	D37	20	13
16	D38	20	13
17			
18	D37	27	13
19			
20	D38	16	13
21	D38	21	13
22			
23	D37	16	13
24	D40	25	13
25	G41	11	23
26	D39	22	13
27			
28	D38	22	13

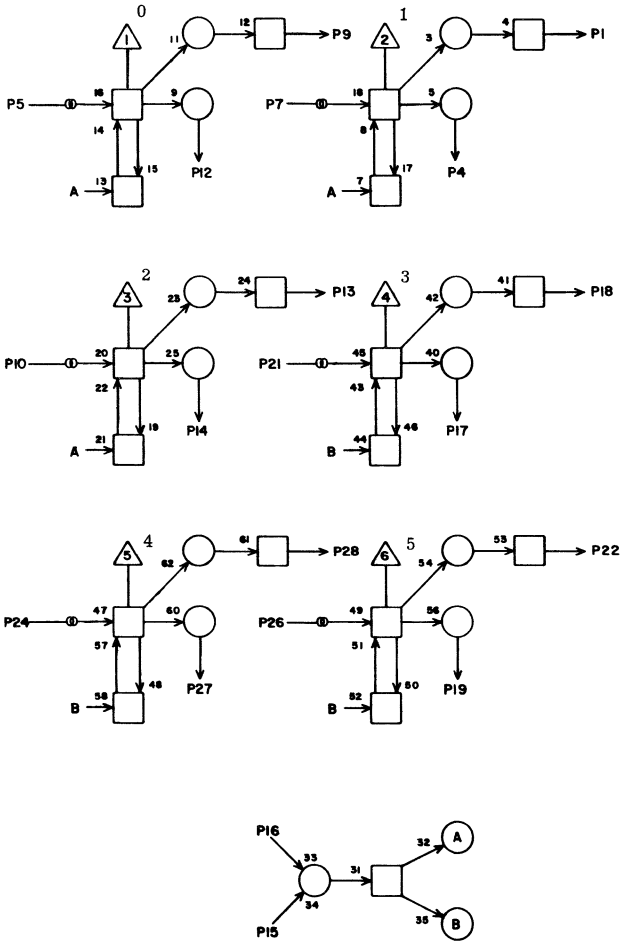
JACK PIN LG

LS 63058300
ASSY REV

PI

2C1

ECS TO CM



1	A18	3	17
2			
3			
4			
5	W33	90	
6			
7	W33	91	
8			
9	A18	4	19
10	W33	92	
11			
12			
13	A18	13	19
14			
15		Gid	2
16	D3	17	7
17			
18	A18	18	19
19			
20			
21	W33	93	
22	A18	25	19
23			
24	W33	94	
25			
26	W33	95	
27			
28	A18	26	19

JACK PIN LG
CIRCUIT SPECIFICATION 11827600

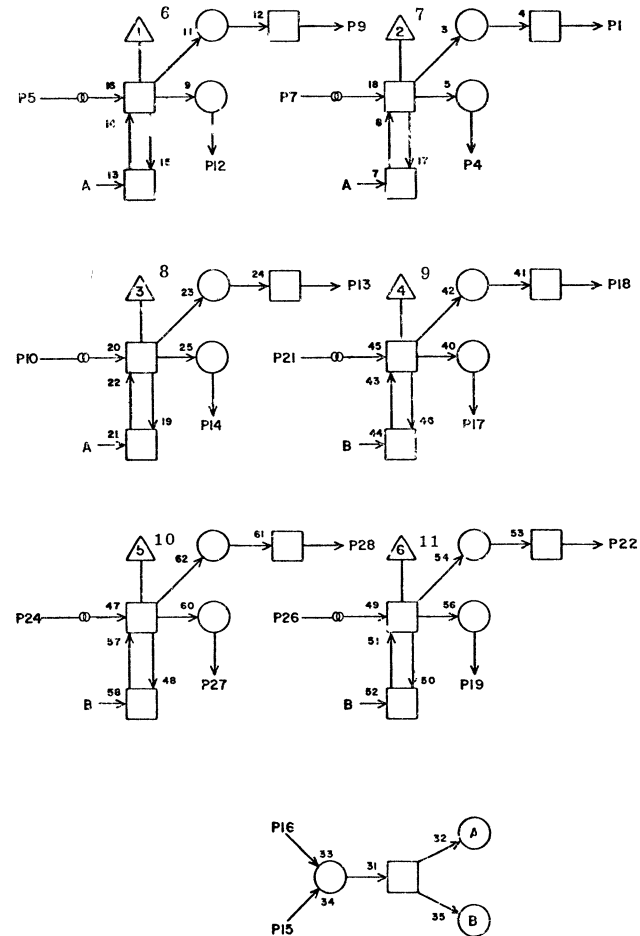
63019700 Rev. M

LS 63058300
ASSY REV

PI

2C2

ECS TO CM

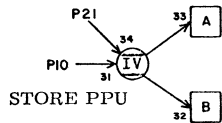
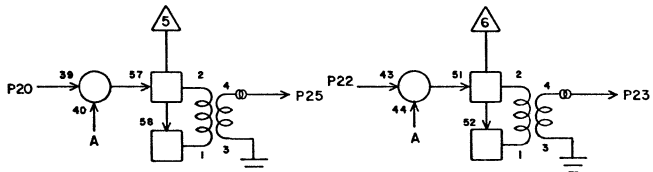
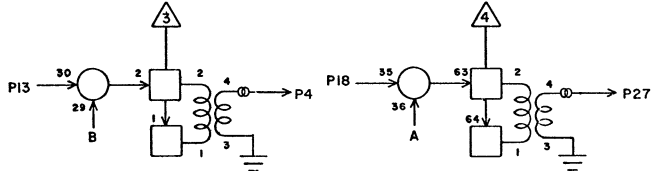
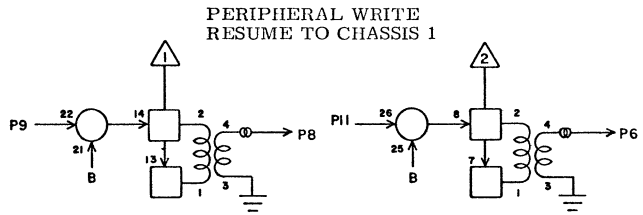


1	A19	3	19
2			
3			
4			
5	W33	96	
6			
7	W33	97	
8			
9	A19	4	19
10	W33	98	
11			
12			
13	A19	13	19
14			
15		Gnd	2
16	D3	18	7
17			
18	A19	18	19
19			
20			
21	W33	99	
22	A19	25	19
23			
24	W33	900	
25			
26	W33	901	
27			
28	A19	26	19

JACK PIN LG
CIRCUIT SPECIFICATION 11827600

63019700 Rev. M

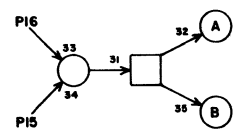
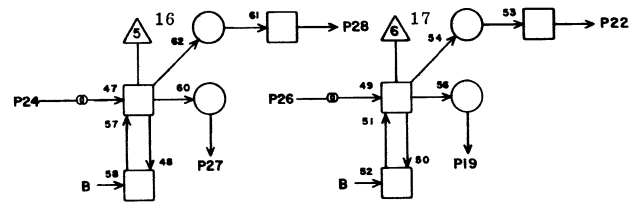
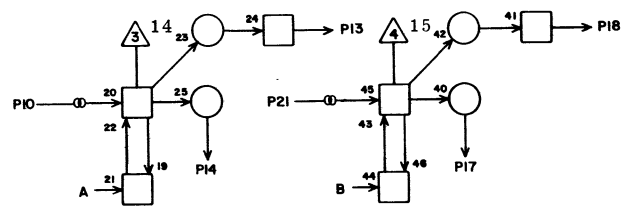
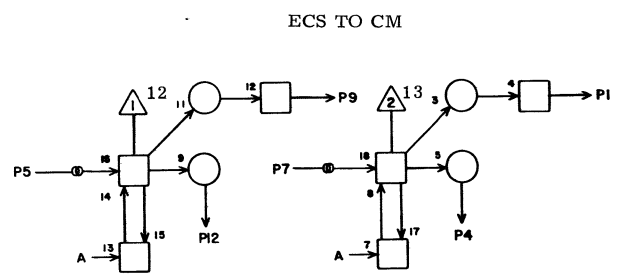
2C2



PL		2C3	
1			
2			
3			
4			
5			
6			
7			
8	W01	905	
9		Grd	2
10	A6	17	72
11			
12			
13			
14			
15			
16			
17			
18			
19			
20			
21	B11	17	72
22			
23			
24			
25			
26			
27			
28			

JACK PIN LG
63019700 Rev. AB

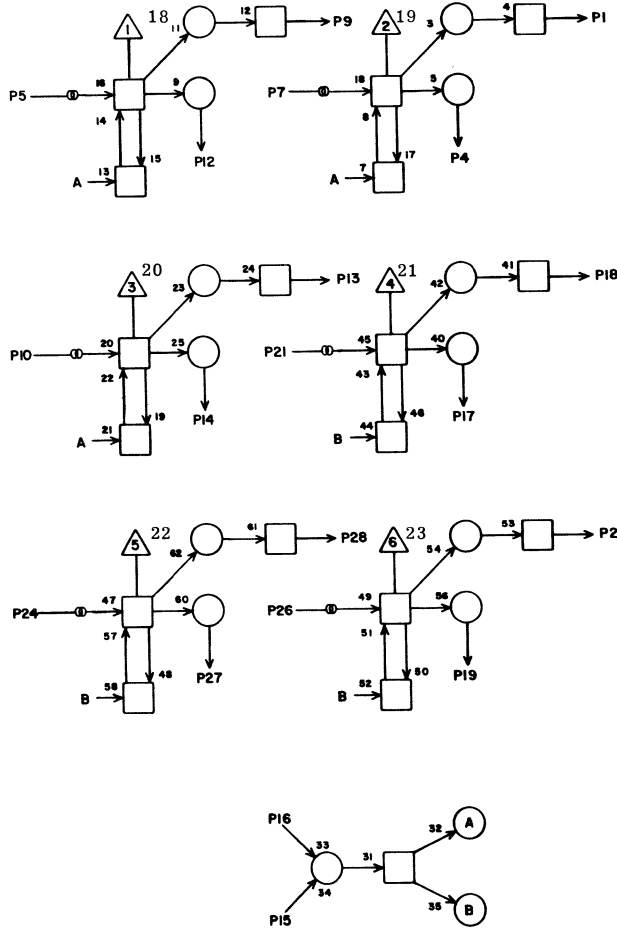
LS 63058300
ASSY REV C



PI		2C4	
1	A20	3	19
2			
3			
4			
5	W33	902	
6			
7	W33	903	
8			
9	A20	4	19
10	W33	904	
11			
12			
13	A20	13	19
14			
15		Grd.	2
16	D3	19	7
17			
18	A20	18	19
19			
20			
21	W34	90	
22	A20	25	19
23			
24	W34	91	
25			
26	W34	92	
27			
28	A20	26	19

JACK PIN LG
CIRCUIT SPECIFICATION 11827600
63019700 Rev. M

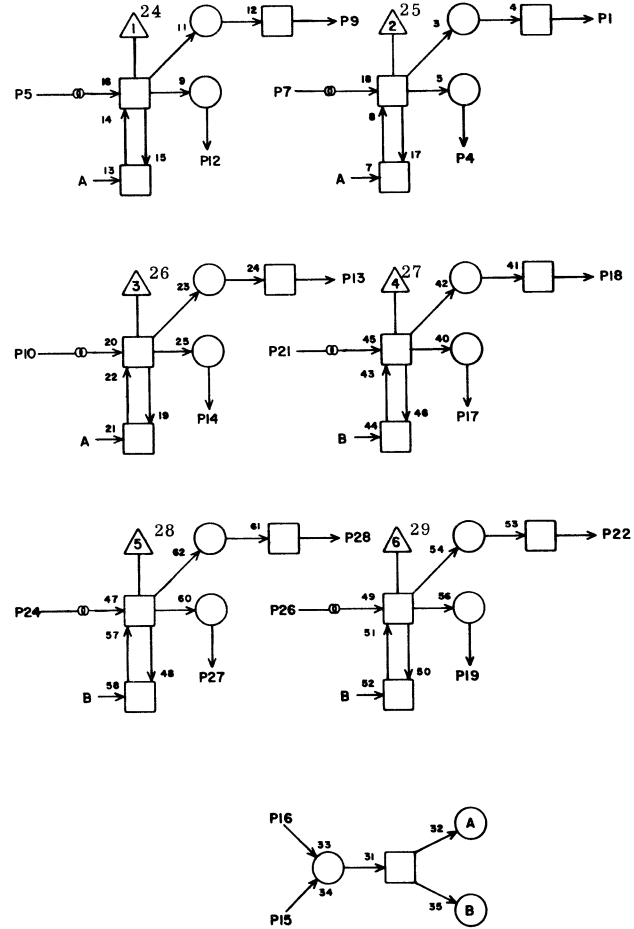
ECS TO CM



1	A21	3	19
2			
3			
4			
5	W34	93	
6			
7	W34	94	
8			
9	A21	4	19
10	W34	95	
11			
12			
13	A21	13	19
14			
15		Grd	2
16	D3	20	7
17			
18	A21	18	19
19			
20			
21	W34	96	
22	A21	25	19
23			
24	W34	97	
25			
26	W34	98	
27			
28	A21	26	19

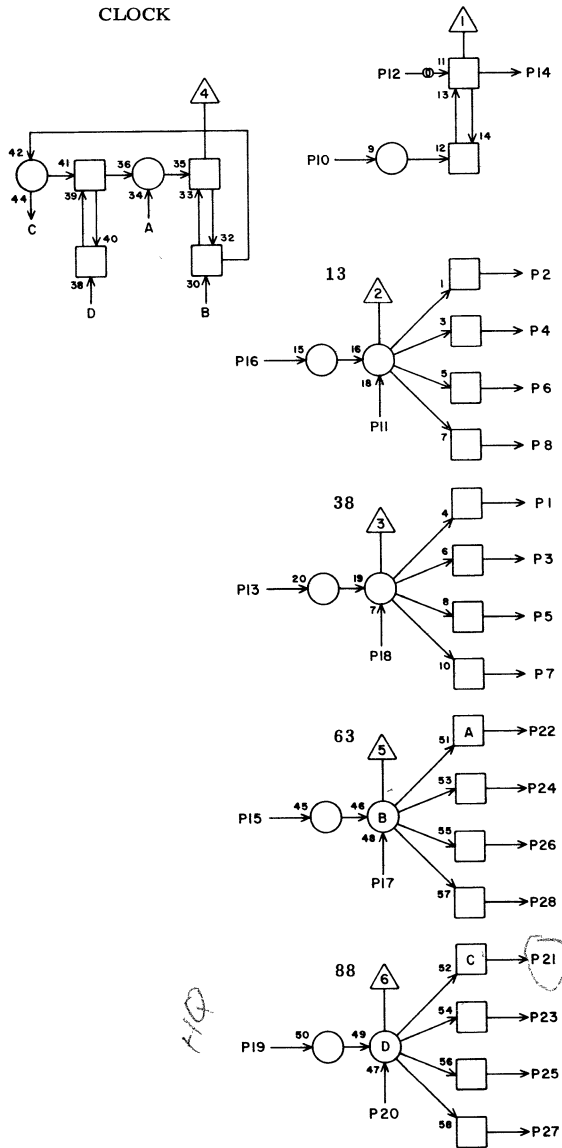
JACK PIN LG
CIRCUIT SPECIFICATION 11827600

ECS TO CM



1	A22	3	19
2			
3			
4			
5	W34	99	
6			
7	W34	900	
8			
9	A22	4	19
10	W34	901	
11			
12			
13	A22	13	19
14			
15		Grd	2
16	D3	21	9
17			
18	A22	18	19
19			
20			
21	W34	902	
22	A22	25	19
23			
24	W34	903	
25			
26	W34	904	
27			
28	A22	26	19

JACK PIN LG
CIRCUIT SPECIFICATION 11827600



HQ 2C7

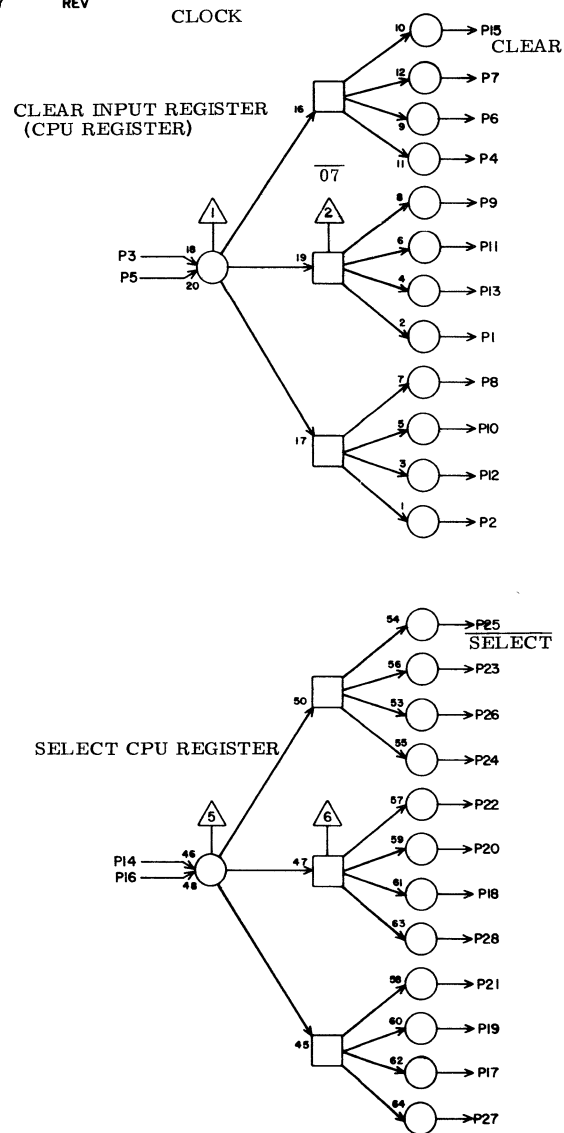
1	C20	16	15
2	C20	5	17
3			
4			
5			
6			
7			
8			
9			
10			
11		2	
12			
13	I22	3	29
14			
15	I22	28	31
16	I22	8	29
17		2	
18		2	
19	I22	27	29
20		2	
21	B11	5	11
22			
23	C8	3	7
24			
25	A6	14	13
26	P11	14	57
27	A6	3	15
28	Q05	14	45

JACK PIN LG

63019700 Rev. H

LS 63063500
ASSY

REV



2C8

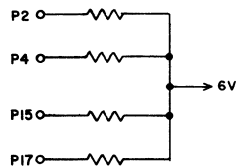
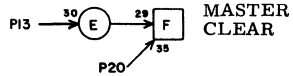
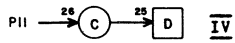
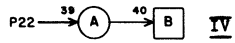
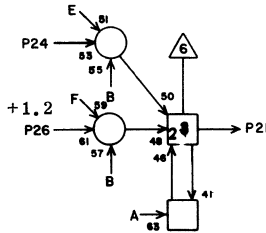
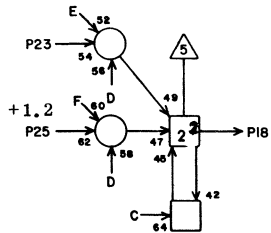
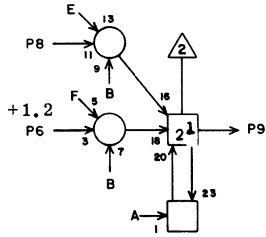
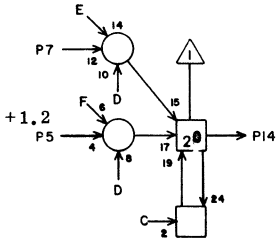
1	A15	16	11
2			
3	C7	23	7
4	A11	16	11
5		Grd	2
6	A10	16	11
7	A9	16	13
8	A16	16	13
9	A12	16	11
10	A17	16	13
11	A13	16	11
12			
13	A14	16	13
14	A7	13	11
15	A8	16	11
16		Grd	2
17	A25	11	21
18	A24	11	19
19	A29	11	23
20	A23	11	17
21	A27	11	23
22	A22	16	17
23	A19	16	17
24	A21	16	17
25	A18	16	15
26	A20	16	17
27	A28	11	23
28	A26	11	23

JACK PIN LG

CIRCUIT SPECIFICATION I1827600

63019700 Rev. H

DEAD START CONTROLLER
WORD COUNTER



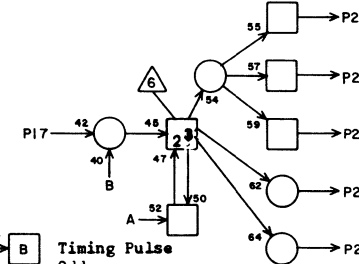
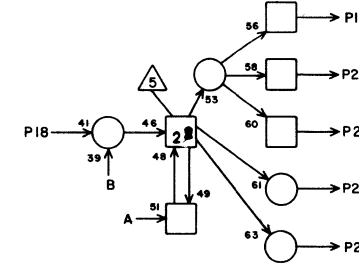
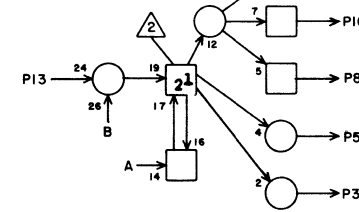
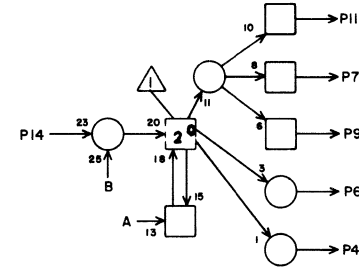
PC 2C9

1			
2	C9	5	3
3			
4	C9	6	3
5	C9	2	3
6	C9	4	3
7	C11	9	5
8	C11	24	5
9	C10	13	5
10			
11	A6	1	11
12			
13	C18	7	13
14	C10	14	5
15	C9	25	3
16			
17	C9	26	3
18	C10	18	5
19			
20			2
21	C10	17	5
22	A6	2	11
23	C11	20	5
24	C12	16	7
25	C9	15	3
26	C9	17	3
27			
28			

JACK PIN LG

63019700 Rev. H

DEAD START CONTROLLER
WORD COUNTER



PD 2C10

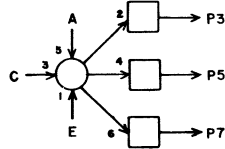
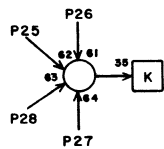
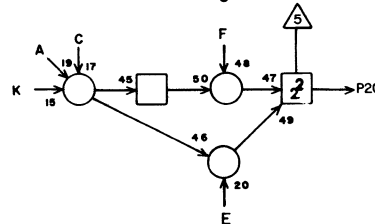
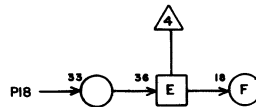
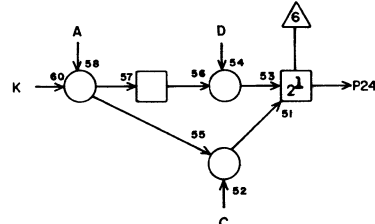
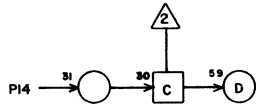
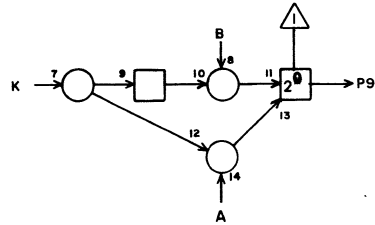
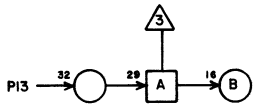
1			
2			
3	C19	1	13
4	C19	3	13
5	C19	4	13
6	C19	12	13
7	C11	13	5
8	C11	14	5
9	C19	2	11
10	C19	10	13
11	C19	15	13
12	C19	17	13
13	C9	9	5
14	C9	14	5
15			
16	C20	12	13
17	C9	21	5
18	C9	18	5
19	C11	18	5
20	C15	26	7
21	C13	5	7
22	C12	2	7
23	C13	3	7
24	C15	28	7
25	C13	14	7
26	C14	3	7
27	C13	16	7
28	C14	5	7

JACK PIN LG

63019700 Rev. H

2C10

DEAD START CONTROLLER
WORD COUNTER



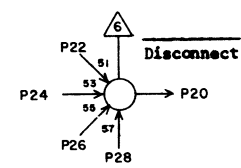
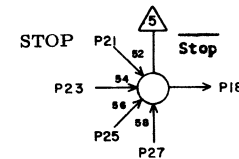
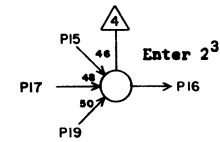
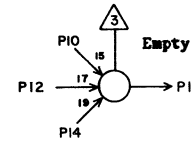
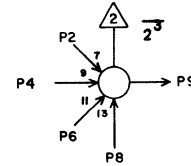
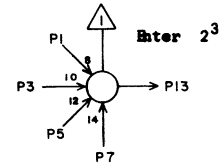
QK 2C11

1			
2			
3	C12	1	5
4			
5			
6			
7			
8			
9	C9	7	5
10			
11			
12			
13	C10	7	6
14	C10	8	5
15			
16			
17			
18	C10	19	5
19			
20	C9	23	5
21			
22			
23			
24	C9	8	5
25		Grd	2
26		Grd	2
27		Grd	2
28	C17	7	9

JACK PIN LG

63019700 Rev. H

TI 2C12

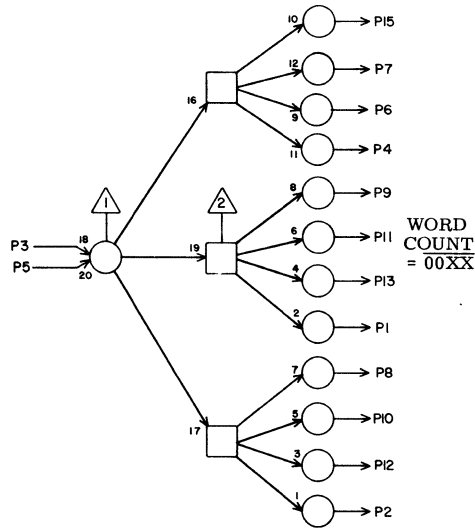


1	C11	3	5
2	C10	22	7
3	C18	10	9
4		Grd	2
5		Grd	2
6		Grd	2
7		3rd	2
8	--	Grd	2
9	C12	17	5
10		Grd	2
11	C17	18	7
12	C18	3	9
13	C12	15	3
14		Grd	2
15	C12	13	3
16	C9	24	7
17	C12	9	5
18	C19	23	11
19		Grd	2
20	C19	25	11
21	C17	23	7
22	C17	4	7
23		Grd	2
24		Grd	2
25		Grd	2
26		Grd	2
27		Grd	2
28		Grd	2

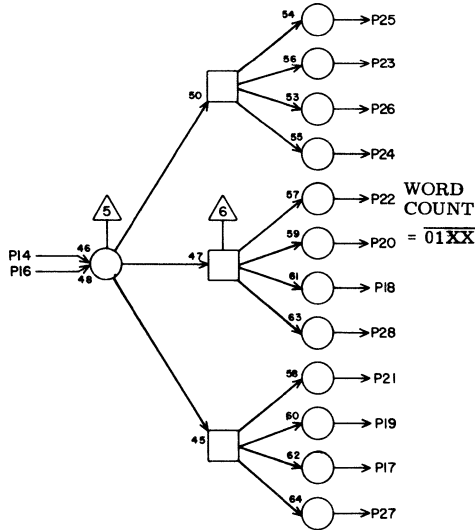
JACK PIN LG

63019700 Rev. H

DEAD START WORD COUNT
XLATION FANOUTS



WORD
COUNT
= 00XX

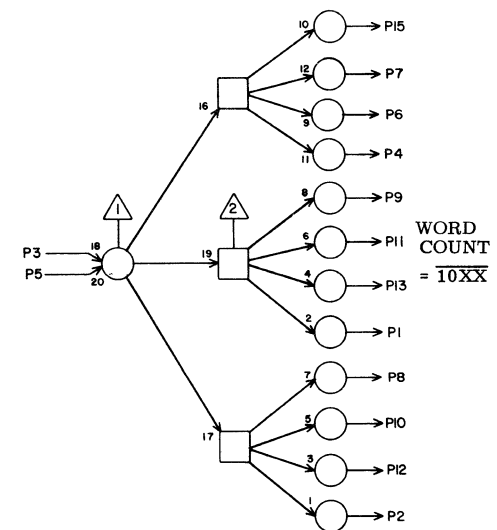


WORD
COUNT
= 01XX

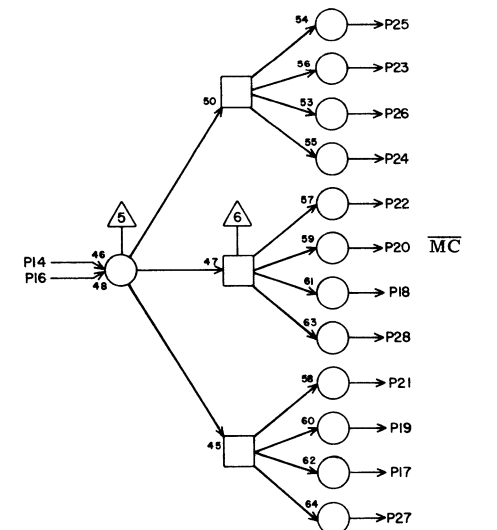
		TC		2C13
1	C21	14	11	
2	C22	14	13	
3	C10	23	7	
4	C23	16	13	
5	C10	21	7	
6	C24	14	13	
7	C25	14	15	
8	C26	14	15	
9	C27	14	15	
10	C28	14	17	
11				
12				
13				
14	C10	25	7	
15				
16	C10	27	7	
17	C21	15	13	
18	C22	15	13	
19	C23	15	13	
20	C24	15	15	
21	C25	15	15	
22	C26	15	15	
23	C27	15	17	
24	C28	15	17	
25				
26				
27				
28				

JACK PIN LG

63019700 Rev. H



WORD
COUNT
= 10XX



MC

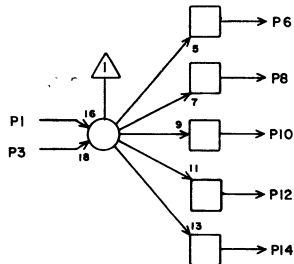
		TC		2C14
1	C21	16	9	
2	C22	16	11	
3	C10	26	7	
4	C23	16	13	
5	C10	28	7	
6	C24	16	13	
7	C25	16	13	
8	C26	16	15	
9	C27	16	15	
10	C28	16	17	
11				
12				
13				
14	C18	11	9	
15				
16		16	2	
17				
18				
19				
20				
21				
22				
23				
24				
25				
26				
27				
28	C19	24	9	

JACK PIN LG

63019700 Rev. H

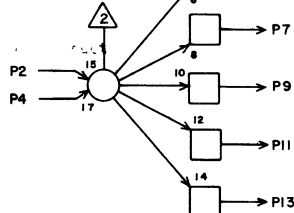
2C14

M2 $\frac{2''}{1500-600}$



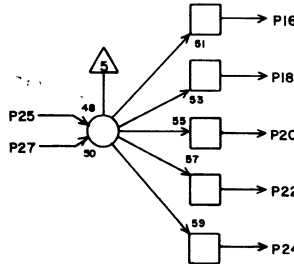
MASTER CLEAR

WC = 1100
STOP, EMPTY



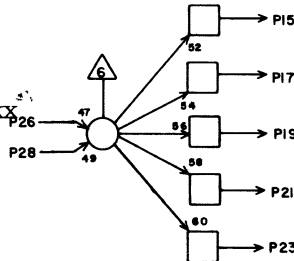
DISCONNECT

EMPTY
t65



EMPTY

WC = X1XX
WC = 1XXX



WC = 11XX

T D 2C15

1	E03	17	25
2	C17	2	5
3	E17	6	11
4	C17	1	5
5	C32	11	19
6	J03	7	23
7			
8			
9			
10			
11			
12			
13			
14			
15			
16	E21	18	13
17	C17	20	5
18	E20	17	13
19	C17	11	5
20	E21	17	13
21			
22			
23			
24			
25	B36	17	23
26	C10	20	7
27			
28	C10	24	7

JACK PIN LG

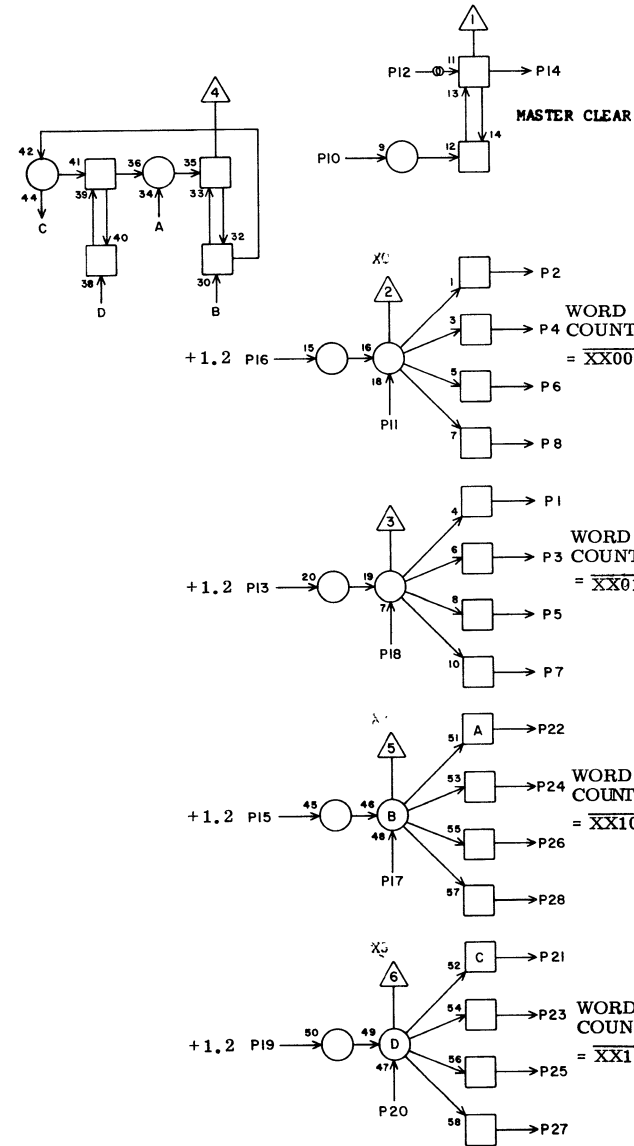
63019700 Rev. AF

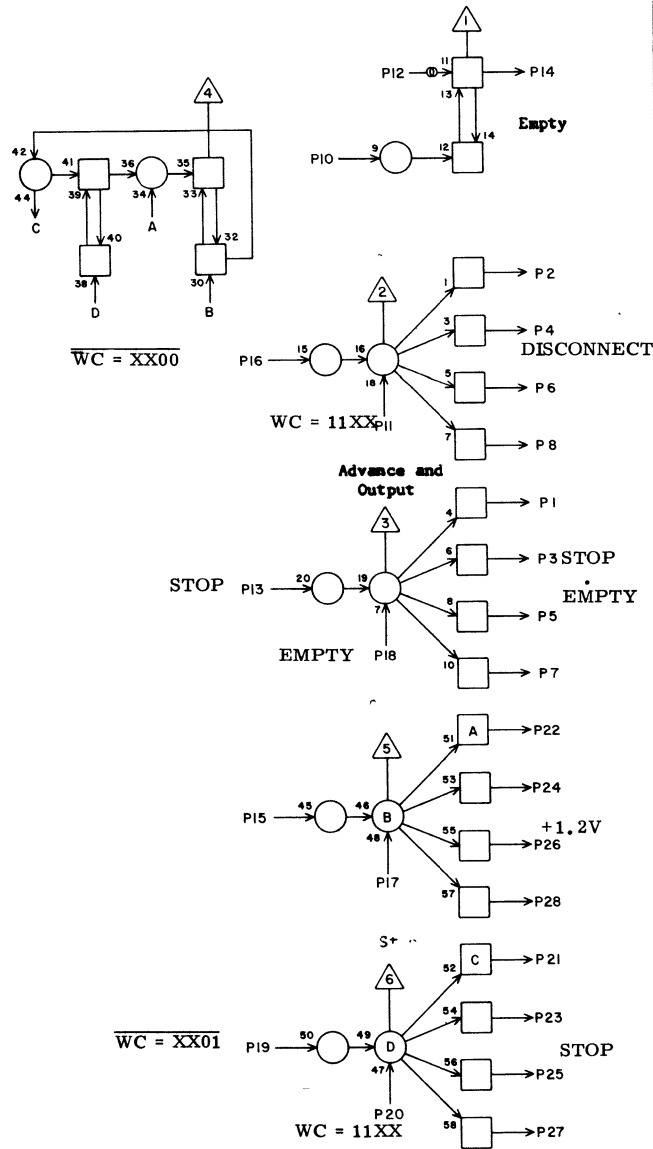
HQ 2C16

1	C29	16	15
2	C29	12	15
3	C30	16	15
4	C30	12	15
5	C31	16	17
6	C31	12	17
7	C17	19	5
8	C17	16	5
9			
10	C18	9	7
11	C19	13	7
12	W20	907	
13	C17	22	5
14	C18	14	5
15	C17	26	5
16	C17	24	5
17	C19	11	7
18	C19	9	7
19	C17	28	5
20	C19	16	7
21	C29	15	15
22	C29	11	15
23	C30	15	17
24	C30	11	17
25	C31	15	17
26	C31	11	17
27			
28			

JACK PIN LG

63019700 Rev. B



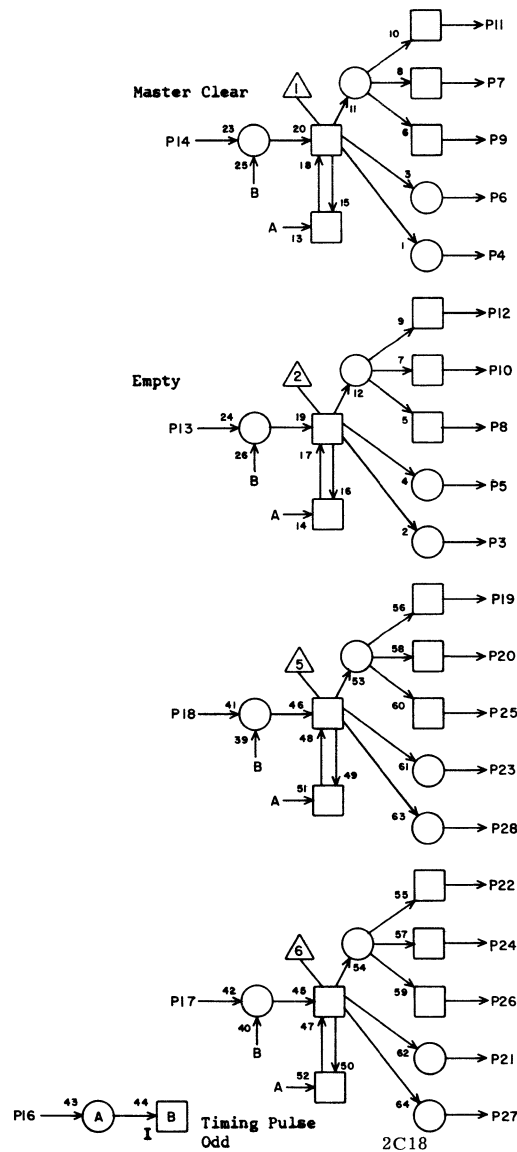


HQ 2C17

1	C15	4	5
2	C15	2	5
3	C33	21	17
4	C12	22	7
5	C34	21	19
6			
7	C11	28	9
8			
9			
10	C18	12	7
11	C15	19	5
12	W20	905	
13	C17	21	5
14	C18	13	108
15		2	
16	C16	8	5
17		2	
18	C12	11	7
19	C16	7	5
20	C15	17	5
21	C17	13	5
22	C16	13	5
23	C12	21	7
24	C16	16	5
25			
26	C16	15	5
27			
28	C16	19	5

JACK PIN LG

63019700 Rev. AB

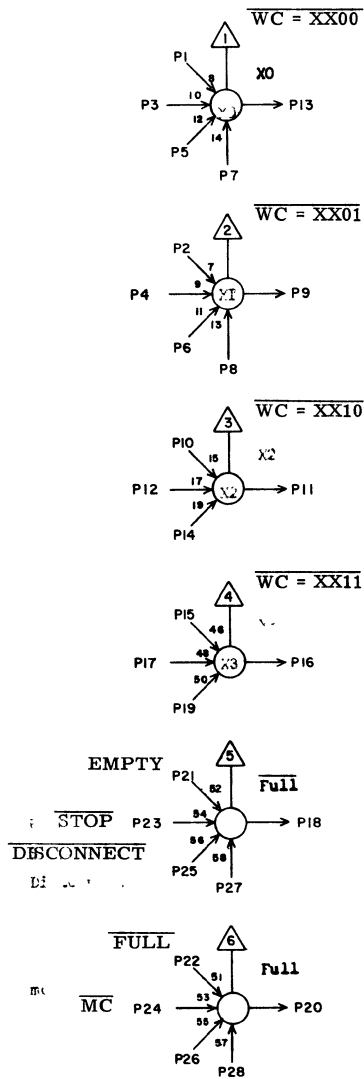


PD 2C18

1			
2			
3	C12	12	9
4	B11	14	13
5			
6			
7	C9	13	13
8	C19	21	5
9	C16	10	7
10	C12	3	9
11	C14	14	9
12	C17	10	7
13	C17	14	108
14	C16	14	5
15			
16	C20	23	7
17			
18		2	
19			
20			
21			
22			
23			
24			
25			
26			
27			
28			

JACK PIN LG

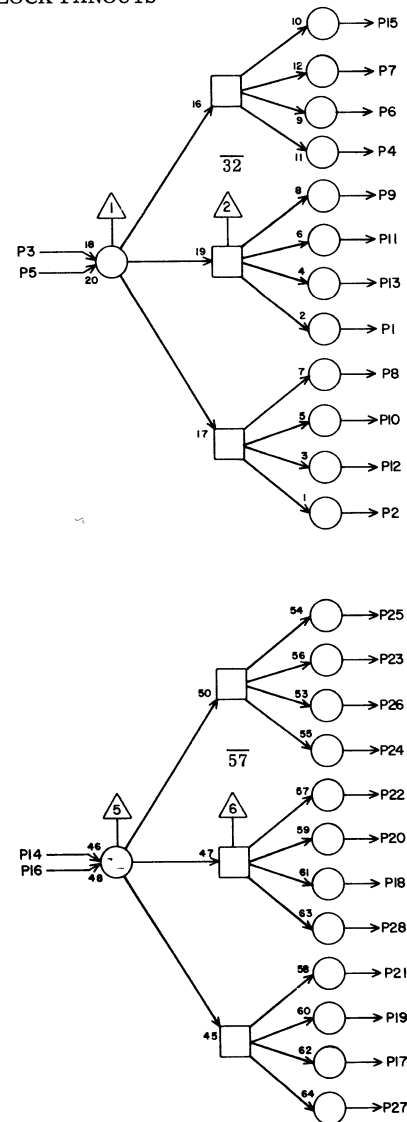
63019700 Rev. AB



TI		2C19	
JACK	PIN		LG
1	C10	3	13
2	C10	9	13
3	C10	4	13
4	C10	9	13
5		Grd	2
6		Grd	2
7		Grd	2
8		Grd	2
9	C16	18	7
10	C10	10	13
11	C16	17	7
12	C10	6	13
13	C16	11	7
14		Grd	2
15	C10	11	13
16	C16	20	7
17	C10	12	13
18	C19	22	3
19		Grd	2
20	C32	9	15
21	C18	8	5
22	C19	18	3
23	C12	18	11
24	C14	28	9
25	C12	20	11
26		Grd	2
27		Grd	2
28		Grd	2

63019700 Rev. H

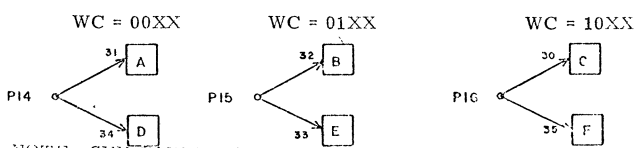
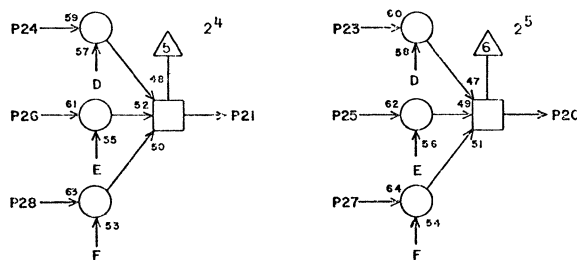
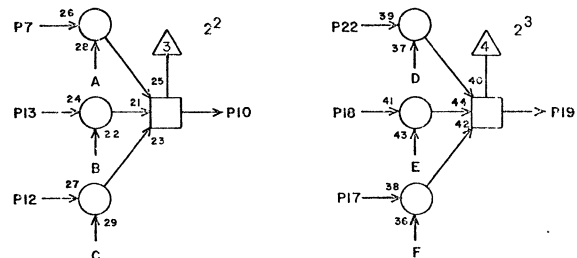
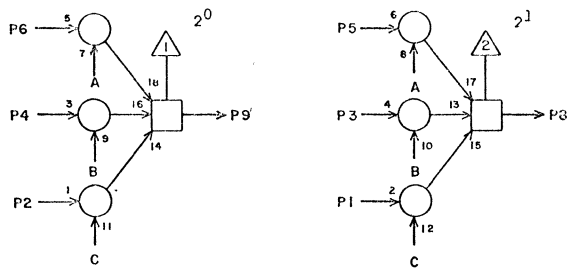
CLOCK FANOUTS



TC		2C20	
JACK	PIN		LG
1	A38	2	21
2	A38	14	21
3		Grd	2
4	A35	6	19
5	C7	2	17
6			
7			
8	C34	10	15
9	C33	10	15
10	C32	10	15
11			
12	C10	16	13
13	E02	15	19
14		Grd	2
15			
16	C7	1	15
17			
18	F	14	2
19			
20			
21			
22			
23	C18	16	7
24			
25			2
26			
27			
28			

63019700 Rev. PAC

DEAD START PANEL WORD INPUT SELECT



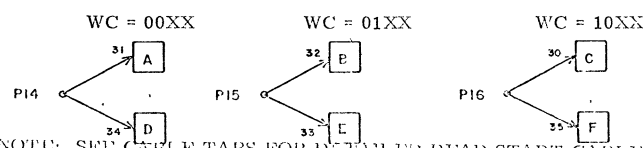
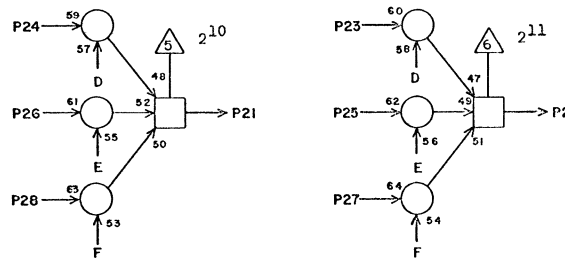
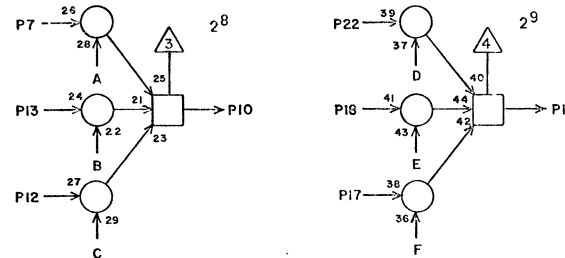
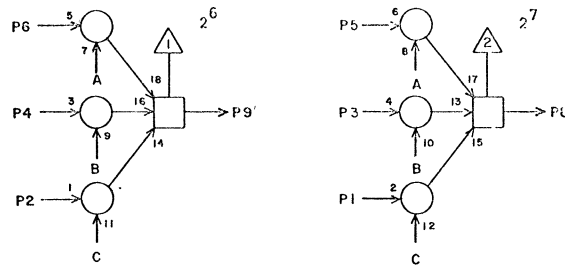
NOTE: SEE CABLE TABS FOR DETAILED DEAD START CABLE LISTING.

TE **2C21**

1	W17	1	
2	W17	1	
3	W16	1	
4	W16	1	
5	W15	1	
6	W15	1	
7	W15	2	
8	C29	1	11
9	C29	2	11
10	C29	28	11
11			
12	W17	2	
13	W16	2	
14	C13	1	11
15	C13	17	13
16	C14	1	9
17	W17	2	
18	W16	2	
19	C29	27	11
20	C30	1	13
21	C30	2	13
22	W15	2	
23	W15	3	
24	W15	3	
25	W16	3	
26	W16	3	
27	W17	3	
28	W17	3	
	JACK	PIN	LG

63019700 Rev. H

DEAD START PANEL WORD INPUT SELECT



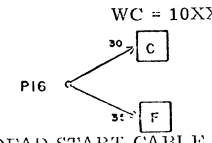
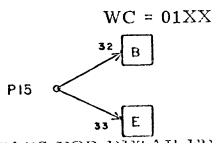
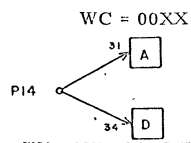
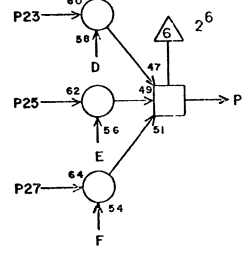
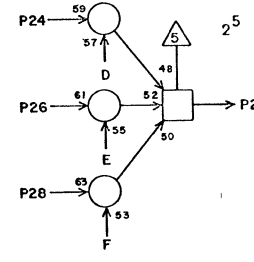
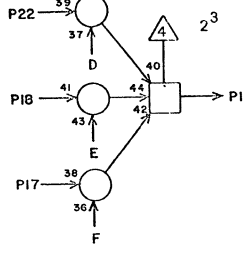
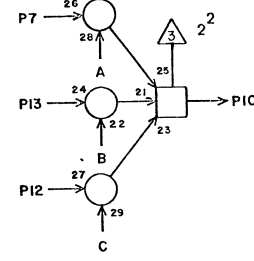
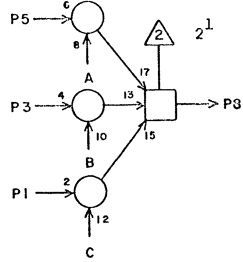
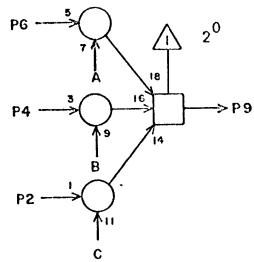
NOTE: SEE CABLE TABS FOR DETAILED DEAD START CABLE LISTING.

TE **2C22**

1	W17	4	
2	W17	4	
3	W16	4	
4	W16	4	
5	W15	4	
6	W15	4	
7	W15	5	
8	C30	27	11
9	C30	28	11
10	C31	2	13
11			
12	W17	5	
13	W16	5	
14	C13	2	13
15	C13	16	13
16	C14	2	11
17	W17	5	
18	W16	5	
19	C31	1	13
20	C31	27	13
21	C31	28	13
22	W15	5	
23	W15	6	
24	W15	6	
25	W16	6	
26	W16	6	
27	W17	6	
28	W17	6	
	JACK	PIN	LG

63019700 Rev. H

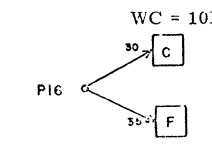
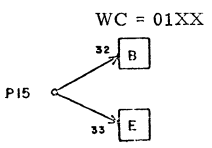
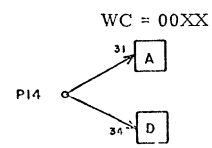
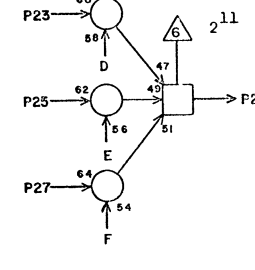
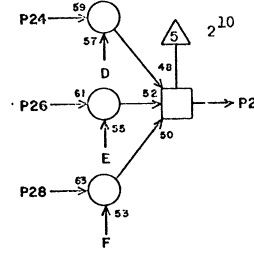
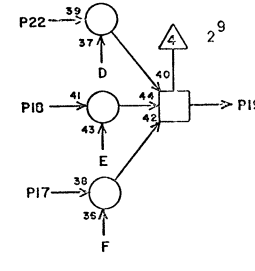
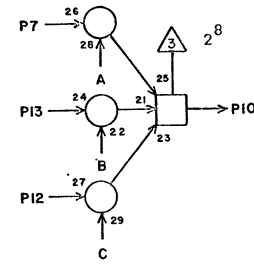
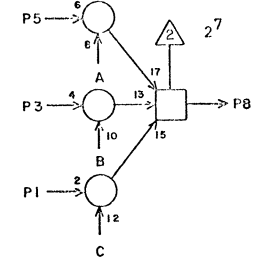
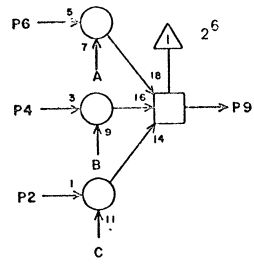
DEAD START PANEL WORD INPUT SELECT



TE 2C23

TE	JACK	PIN	LG
1	W17	7	
2	W17	7	
3	W16	7	
4	W16	7	
5	W15	7	
6	W15	7	
7	W15	8	
8	C29	3	9
9	C29	4	9
10	C29	26	11
11			
12	W17	8	
13	W16	8	
14	C13	4	13
15	C13	19	13
16	C14	4	13
17	W17	8	
18	W16	8	
19	C29	25	9
20	C30	3	11
21	C30	4	11
22	W15	8	
23	W15	9	
24	W15	9	
25	W16	9	
26	W16	9	
27	W17	9	
28	W17	9	

DEAD START PANEL WORD INPUT SELECT



TE 2C24

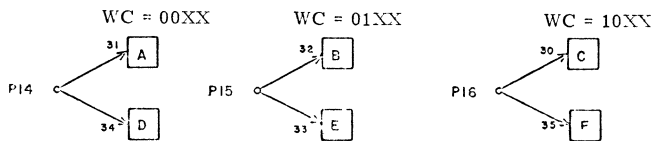
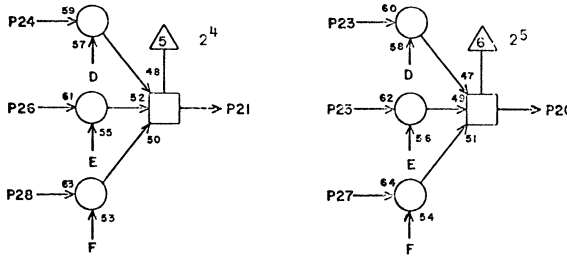
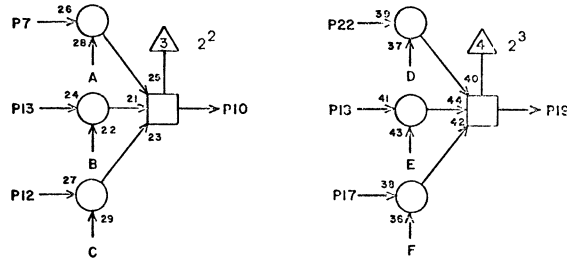
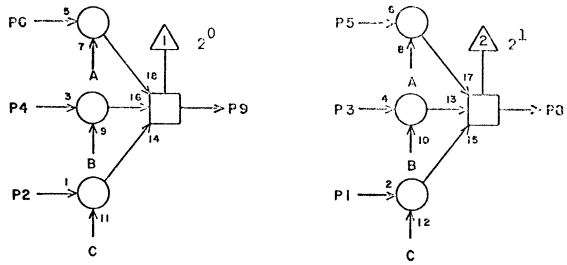
TE	JACK	PIN	LG
1	W17	10	
2	W17	10	
3	W16	10	
4	W16	10	
5	W15	10	
6	W15	10	
7	W15	11	
8	C30	25	9
9	C30	26	9
10	C31	4	9
11			
12	W17	11	
13	W16	11	
14	C13	6	13
15	C13	20	15
16	C14	6	13
17	W17	11	
18	W16	11	
19	C31	3	11
20	C31	25	11
21	C31	26	11
22	W15	11	
23	W15	12	
24	W15	12	
25	W16	12	
26	W16	12	
27	W17	12	
28	W17	12	

NOTE: SEE CABLE TABS FOR DETAILED DEAD START CABLE LISTING. 63019700 Rev. H

NOTE: SEE CABLE TABS FOR DETAILED DEAD START CABLE LISTING.

63019700 Rev. H

DEAD START PANEL WORD INPUT SELECT



NOTE: SEE CABLE TABS FOR DETAILED DEAD START CABLE LISTING.

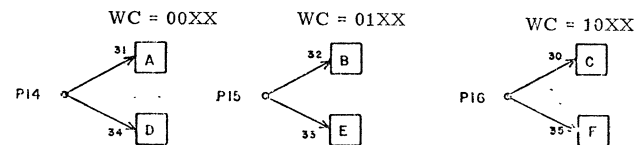
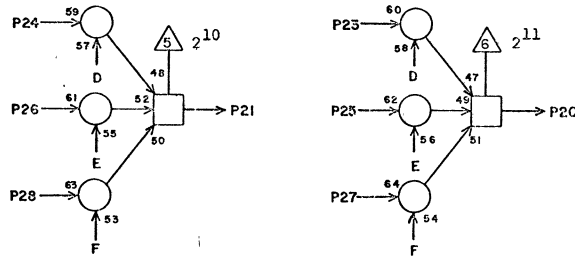
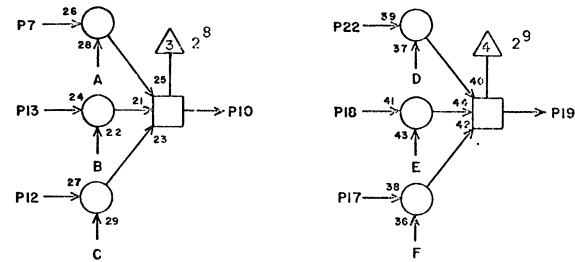
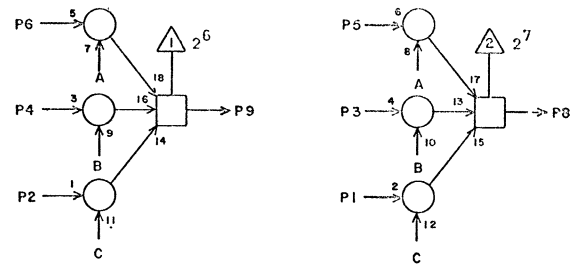
TE **2C25**

1	W17	13	
2	W17	13	
3	W16	13	
4	W16	13	
5	W15	13	
6	W15	13	
7	W15	14	
8	C29	5	7
9	C29	6	7
10	C29	24	7
11			
12	W17	14	
13	W16	14	
14	C13	7	15
15	C13	21	15
16	C14	7	13
17	W17	14	
18	W16	14	
19	C29	23	7
20	C30	5	9
21	C30	6	9
22	W15	14	
23	W15	15	
24	W15	15	
25	W16	15	
26	W16	15	
27	W17	15	
28	W17	15	

JACK PIN LG

63019700 Rev. H

DEAD START PANEL WORD INPUT SELECT



NOTE: SEE CABLE TABS FOR DETAILED DEAD START CABLE LISTING.

2C26

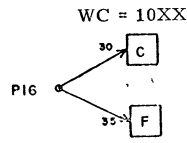
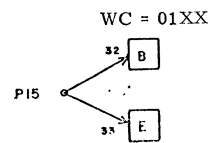
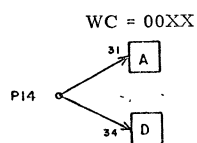
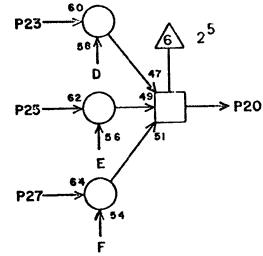
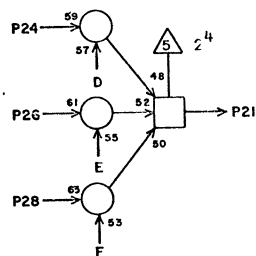
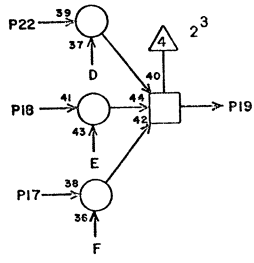
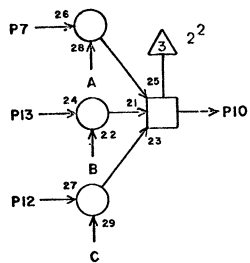
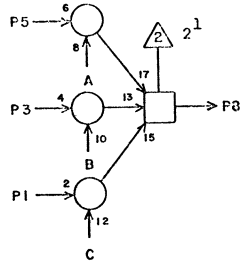
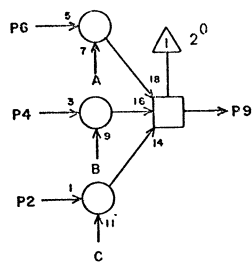
TE **2C26**

1	W17	16	
2	W17	16	
3	W16	16	
4	W16	16	
5	W15	16	
6	W15	16	
7	W15	17	
8	C30	23	7
9	C30	24	7
10	C31	6	7
11			
12	W17	17	
13	W16	17	
14	C13	8	15
15	C13	22	15
16	C14	8	15
17	W17	17	
18	W16	17	
19	C31	5	9
20	C31	3	9
21	C31	24	9
22	W15	17	
23	W15	18	
24	W15	18	
25	W16	18	
26	W16	18	
27	W17	18	
28	W17	18	

JACK PIN LG

63019700 Rev. H

DEAD START PANEL WORD INPUT SELECT



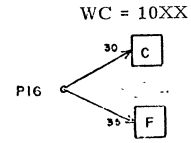
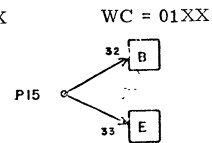
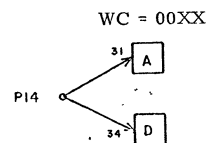
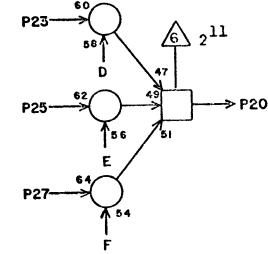
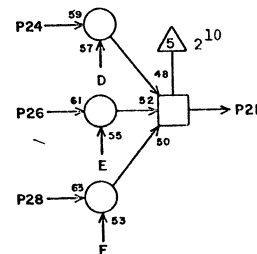
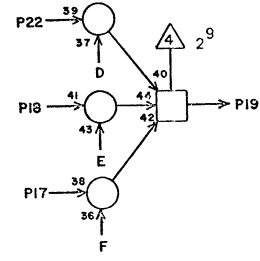
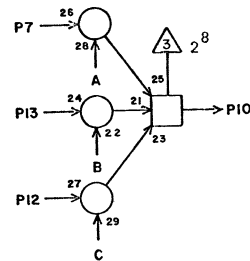
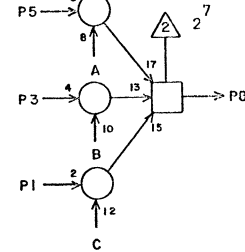
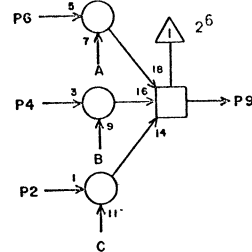
TE

2C27

1	W17	19	
2	W17	19	
3	W16	19	
4	W16	19	
5	W15	19	
6	W15	19	
7	W15	20	
8	C29	7	5
9	C29	8	5
10	C29	22	7
11			
12	W17	20	
13	W16	20	
14	C13	5	15
15	C13	23	17
16	C14	5	15
17	W17	20	
18	W16	20	
19	C29	21	5
20	C30	7	7
21	C30	8	7
22	W15	20	
23	W15	21	
24	W15	21	
25	W16	21	
26	W16	21	
27	W17	21	
28	W17	21	

JACK PIN LG

DEAD START PANEL WORD INPUT SELECT



NOTE: SEE CABLE TABS FOR DETAILED DEAD START CABLE LISTING.

TE

2C22

1	W17	22	
2	W17	22	
3	W16	22	
4	W16	22	
5	W15	22	
6	W15	22	
7	W15	23	
8	C30	21	5
9	C30	22	5
10	C31	8	5
11			
12	W17	23	
13	W16	23	
14	C13	10	17
15	C13	24	17
16	C14	10	17
17	W17	23	
18	W16	23	
19	C31	7	5
20	C31	21	5
21	C31	22	5
22	W15	23	
23	W15	24	
24	W15	24	
25	W16	24	
26	W16	24	
27	W17	24	
28	W17	24	

JACK PIN LG

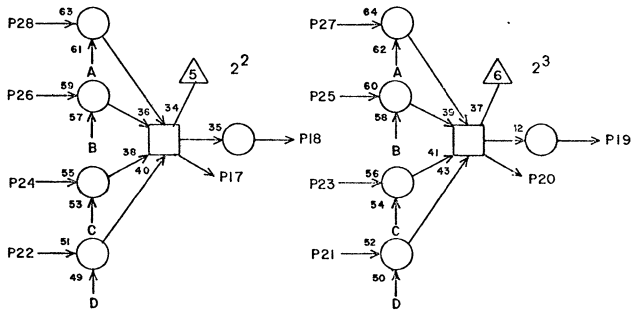
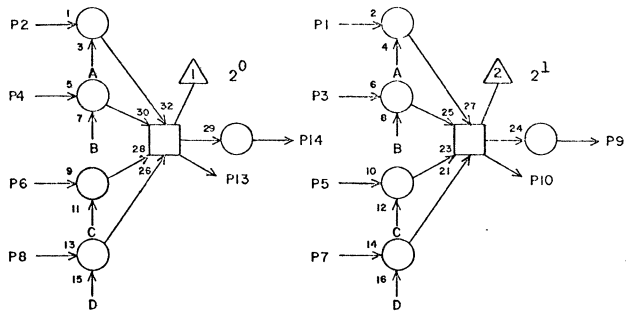
NOTE: SEE CABLE TABS FOR DETAILED DEAD START CABLE LISTING.

63019700 Rev. H

NOTE: SEE CABLE TABS FOR DETAILED DEAD START CABLE LISTING.

63019700 Rev. H

DEAD START PANEL WORD INPUT SELECT



PI2 → A WC = XX00

PI6 → B WC = XX01

PI11 → C WC = XX10

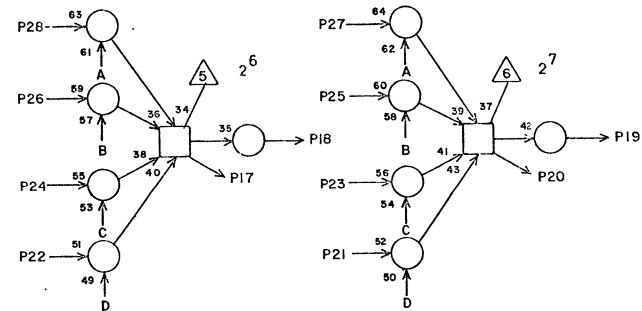
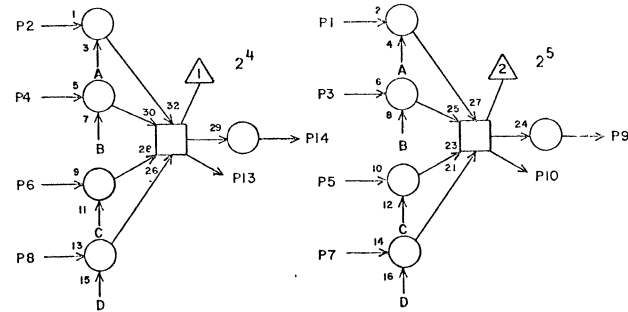
PI5 → D WC = XX11

TG

2C29

JACK	PIN	LG
1	C21	8 11
2	C21	9 11
3	C23	8 9
4	C23	9 9
5	C25	8 7
6	C25	9 7
7	C27	8 5
8	C27	9 5
9		
10	C33	11 7
11	C16	22 15
12	C16	2 15
13	C33	9 7
14		
15	C16	21 15
16	C16	1 15
17	C33	13 7
18		
19		
20	C33	18 7
21	C27	19 5
22	C27	10 7
23	C25	19 7
24	C25	10 7
25	C23	19 9
26	C23	10 11
27	C21	19 11
28	C21	10 11

DEAD START PANEL WORD INPUT SELECT



PI2 → A WC = XX00

PI6 → B WC = XX01

PI11 → C WC = XX10

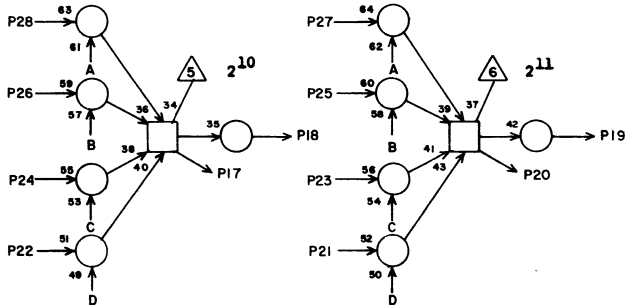
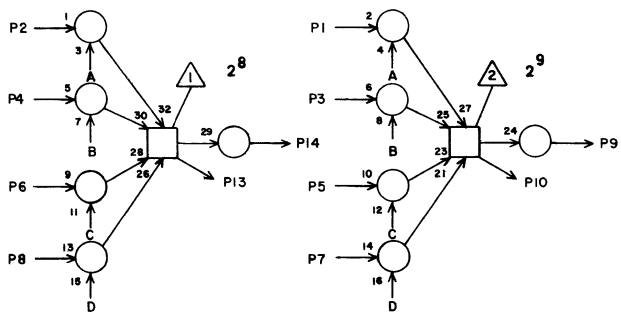
PI5 → D WC = XX11

TG

2C30

JACK	PIN	LG
1	C21	20 11
2	C21	21 11
3	C23	20 11
4	C23	21 11
5	C25	20 9
6	C25	21 9
7	C27	20 7
8	C27	21 7
9		
10	C33	22 5
11	C16	24 17
12	C16	4 15
13	C33	20 5
14		
15	C16	23 17
16	C16	1 15
17	C34	9 7
18		
19		
20	C34	11 7
21	C28	8 5
22	C28	9 5
23	C26	8 7
24	C26	9 7
25	C24	8 9
26	C24	9 9
27	C22	8 11
28	C22	9 11

DEAD START PANEL WORD INPUT SELECT

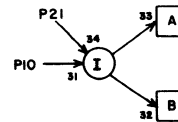
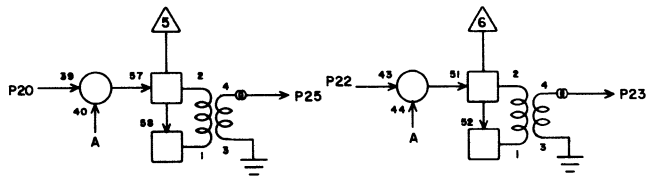
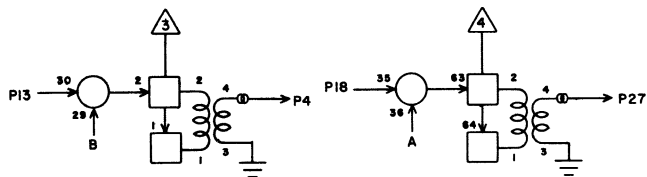
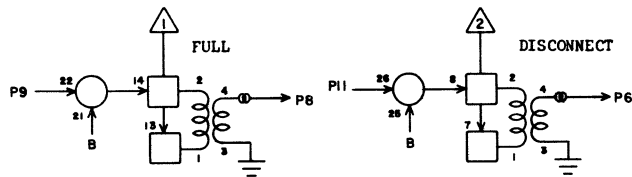


- PI2 → A WC = XX00
- PI6 → B WC = XX01
- PI1 → C WC = XX10
- PI5 → D WC = XX11

		2C31	
TG	JACK	PIN	LG
1	C22	19	13
2	C22	10	13
3	C24	19	11
4	C24	10	9
5	C26	19	9
6	C26	10	7
7	C28	19	5
8	C28	10	5
9			
10	C34	19	5
11	C16	26	17
12	C16	6	17
13	C34	13	5
14			
15	C16	25	17
16	C16	5	17
17	C34	20	5
18			
19			
20	C34	22	5
21	C28	20	5
22	C28	21	5
23	C26	20	9
24	C26	21	9
25	C24	20	11
26	C24	21	11
27	C22	20	13
28	C22	21	13

63019700 Rev. H

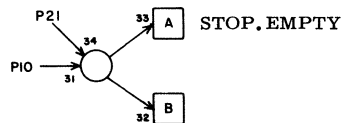
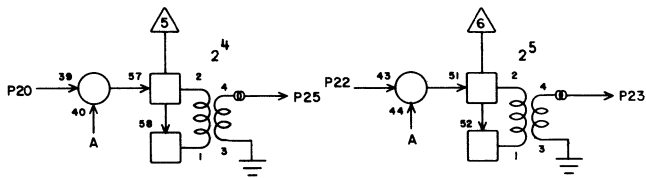
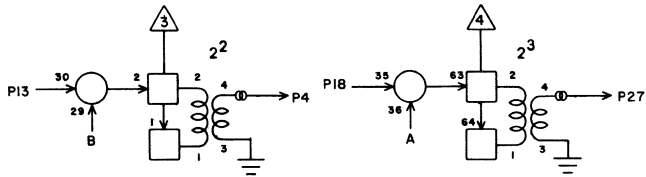
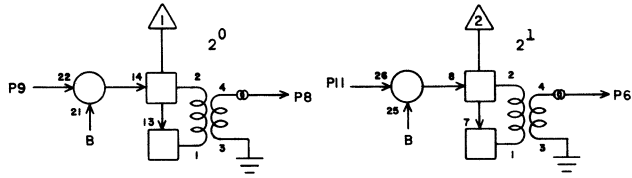
DEAD START CONTROL



		2C32	
PL	JACK	PIN	LG
1			
2			
3			
4			
5			
6	W19	903	
7			
8	W19	904	
9	C19	20	15
10	C20	10	15
11	C15	5	19
12			
13			
14			
15			
16			
17			
18			
19			
20			
21		C24	2
22			
23			
24			
25			
26			
27			
28			

63019700 Rev. H

DEAD START DATA
TO PPU CHANNEL 0

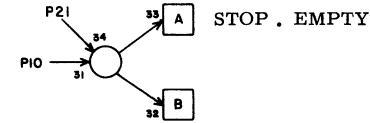
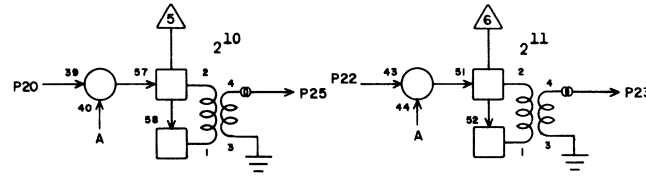
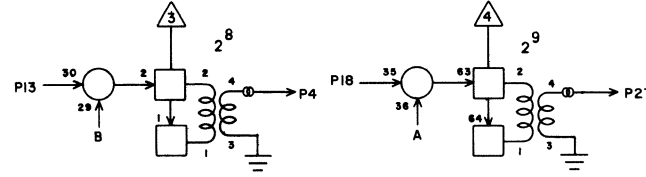
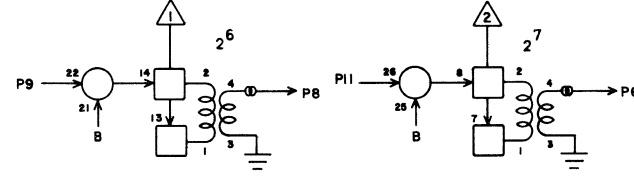


PL **2C33**

1			
2			
3			
4	W19	92	
5			
6	W19	91	
7			
8	W19	90	
9	C29	13	7
10	C20	9	15
11	C29	10	7
12			
13	C29	17	7
14			
15			
16			
17			
18	C29	20	7
19			
20	C30	13	5
21	C17	3	17
22	C30	10	7
23	W19	95	
24			
25	W19	94	
26			
27	W19	93	
28			

JACK PIN LG

DEAD START DATA
TO PPU CHANNEL 0

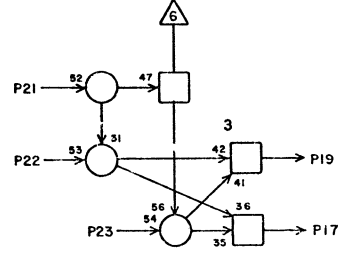
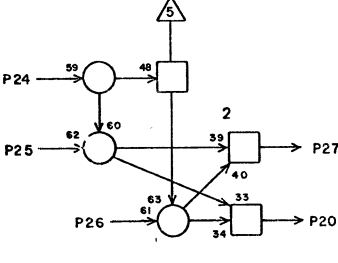
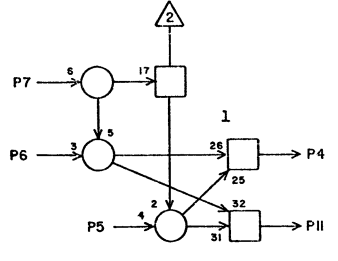
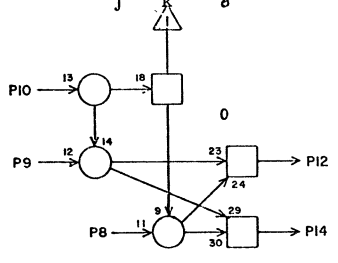


PL **2C34**

1			
2			
3			
4	W19	98	
5			
6	W19	97	
7			
8	W19	96	
9	C30	17	7
10	C20	8	17
11	C30	20	7
12			
13	C31	13	5
14			
15			
16			
17			
18	C31	10	5
19			
20	C31	17	5
21	C17	5	19
22	C31	20	5
23	W19	901	
24			
25	W19	900	
26			
27	W19	99	
28			

JACK PIN LG

DIVIDE $X_j - X_k - 60_8$ EXPONENT



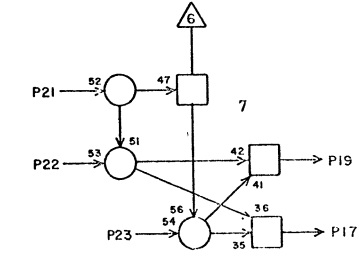
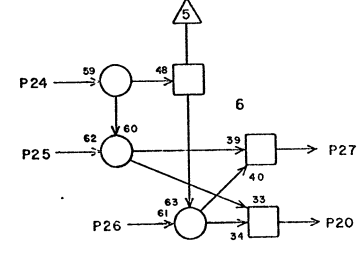
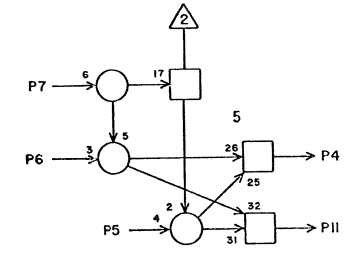
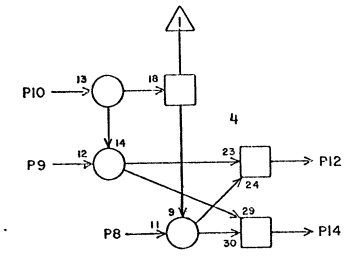
TJ 2C35

1			
2			
3			
4	E24	25	17
5	D29	1	11
6	D29	2	11
7	D29	8	11
8	D29	18	11
9	D29	26	11
10	D29	6	11
11	H28	14	25
12	E24	28	17
13			
14	H28	13	25
15			
16			
17	H29	13	23
18			
19	E24	3	17
20	H28	18	23
21	D30	6	9
22	D30	26	9
23	D30	18	9
24	D29	4	11
25	D29	28	11
26	D29	12	11
27	E24	26	17
28			

JACK PIN LG

63019700 Rev. H

DIVIDE $X_j - X_k - 60_8$ EXPONENT



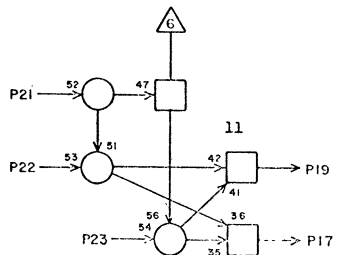
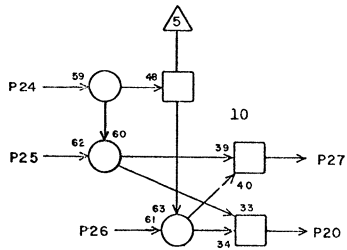
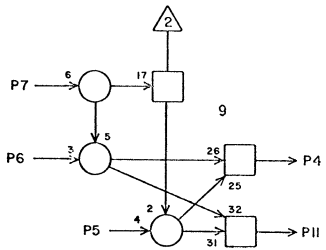
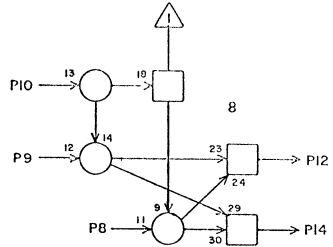
TJ 2C30

1			
2			
3			
4	E24	1	17
5	D30	12	11
6	D30	28	11
7	D30	4	9
8	D30	1	9
9	D30	2	9
10	D30	8	9
11	H29	18	23
12	E24	6	17
13			
14	H29	14	23
15			
16			
17	H30	14	23
18			
19	E27	25	17
20	H30	13	23
21	D31	8	11
22	D31	2	11
23	D31	1	11
24	D31	6	11
25	E31	26	11
26	F31	18	11
27	F37	28	17
28			

JACK PIN LG

63019700 Rev. H

DIVIDE $X_j - X_k - 60_8$ EXPONENT



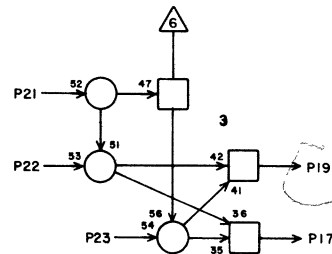
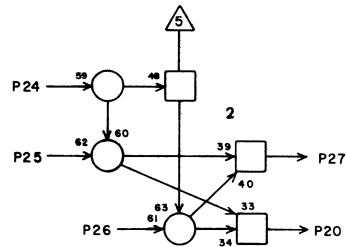
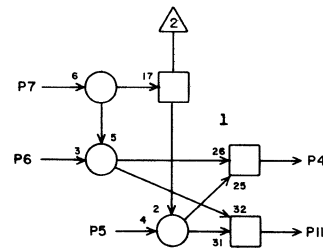
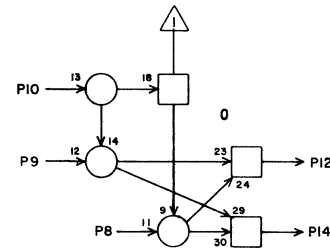
TJ 2C37

1			
2			
3			
4	E27	3	17
5	D32	18	9
6	D32	26	9
7	D32	6	9
8	D31	12	9
9	D31	28	11
10	D31	4	9
11	H31	13	25
12	E27	26	17
13			
14	H30	18	25
15			
16			
17	H31	18	25
18			
19	E27	1	17
20	D19	3	19
21	D32	4	9
22	D32	28	9
23	D32	12	9
24	D32	8	9
25	D32	2	9
26	D32	1	9
27	E27	6	15
28			

JACK PIN LG

63019700 Rev. H

MULT. 1 EXPONENT $X_j + X_k + 60_8$



TJ 2C38

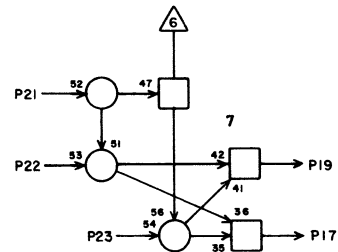
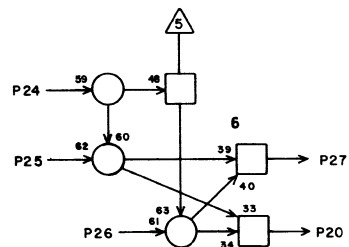
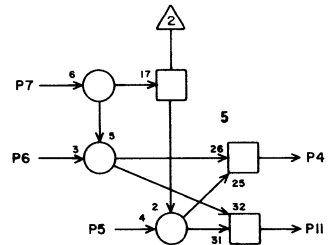
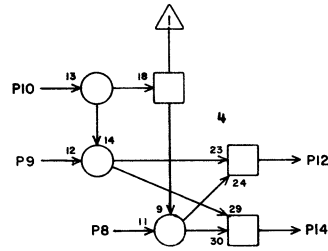
1			
2			
3			
4	B29	3	11
5	D33	1	9
6	D33	2	9
7	D33	8	9
8	D33	18	9
9	D33	26	11
10	D33	6	9
11			
12	B29	4	11
13			
14			
15			
16			
17			
18			
19	B29	18	11
20			
21	D34	6	7
22	D34	26	9
23	D34	18	9
24	D33	4	11
25	D33	28	11
26	D33	12	9
27	B29	13	11
28			

JACK PIN LG

2C38

63019700 Rev. H

MULTIPLY 1 EXPONENT $X_j + X_k + 60_8$



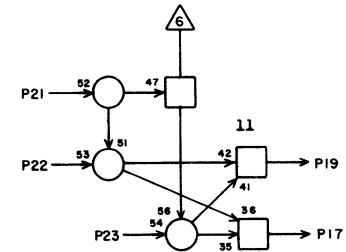
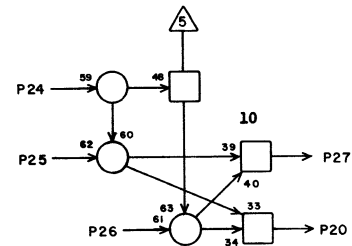
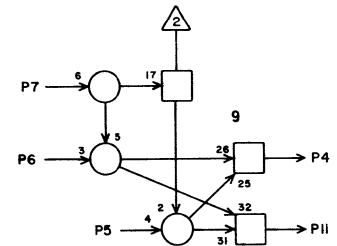
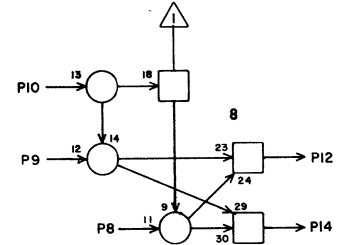
TJ 2C39

1			
2			
3			
4	B29	25	13
5	D34	12	9
6	D34	28	11
7	D34	4	9
8	D34	1	11
9	D34	2	11
10	D34	8	11
11			
12	B29	26	15
13			
14			
15			
16			
17			
18			
19	B30	3	19
20			
21	D35	8	7
22	D35	2	7
23	D35	1	7
24	D35	6	7
25	D35	26	7
26	D35	18	7
27	B30	4	15
28			

JACK PIN LG

63019700 Rev. H.

MULTIPLY 1 EXPONENT $X_j + X_k + 60_8$



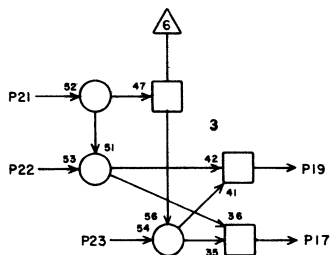
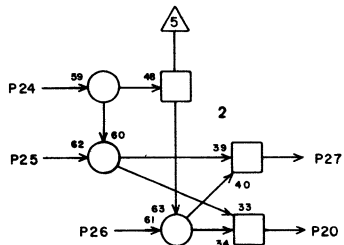
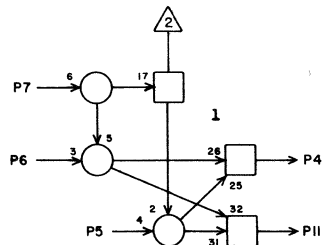
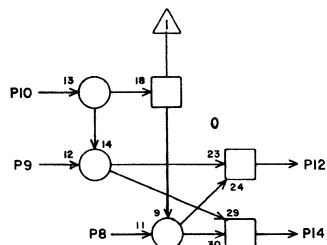
TJ 2C40

1			
2			
3			
4	B30	18	13
5	B36	18	9
6	D36	26	9
7	D36	6	9
8	D35	12	9
9	D35	28	11
10	D35	4	9
11			
12	B30	13	15
13			
14			
15			
16			
17			
18			
19	B30	25	19
20			
21	D36	4	7
22	D36	28	9
23	D36	12	7
24	D36	8	7
25	D36	2	7
26	D36	1	7
27	B30	26	15
28			

JACK PIN LG

63019700 Rev. H

MULT. 2 ADD 60_8 (48_{10}) EXPONENT

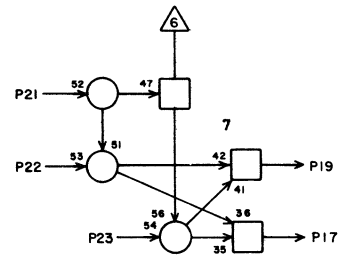
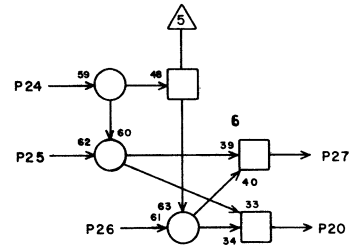
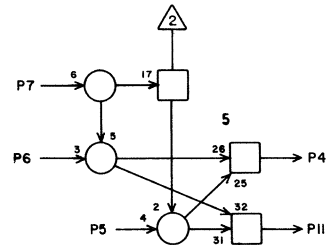
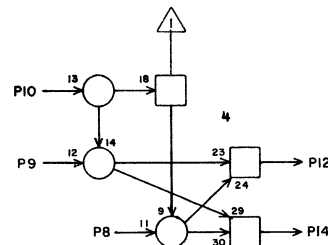


TJ 2C41

1			
2			
3			
4	B31	3	13
5	D37	1	7
6	D37	2	7
7	D37	8	7
8	D37	18	7
9	D37	26	11
10	D37	6	7
11			
12	B31	4	13
13			
14			
15			
16			
17			
18			
19	B31	18	13
20			
21	D38	6	7
22	D38	26	11
23	D38	18	7
24	D37	4	7
25	D37	28	11
26	D37	12	7
27	B31	13	13
28			

JACK PIN LG

MULTIPLY $2 X_j + X_k + 60_8$ EXPONENT



TJ 2C42

1			
2			
3			
4	B31	25	13
5	D38	12	9
6	D38	28	11
7	D38	4	9
8	D38	1	9
9	D38	2	9
10	D38	8	9
11			
12	B31	26	13
13			
14			
15			
16			
17			
18			
19	B32	3	13
20			
21	D39	8	9
22	D39	2	9
23	D39	1	9
24	D39	6	9
25	D39	26	9
26	D39	18	9
27	B32	4	13
28			

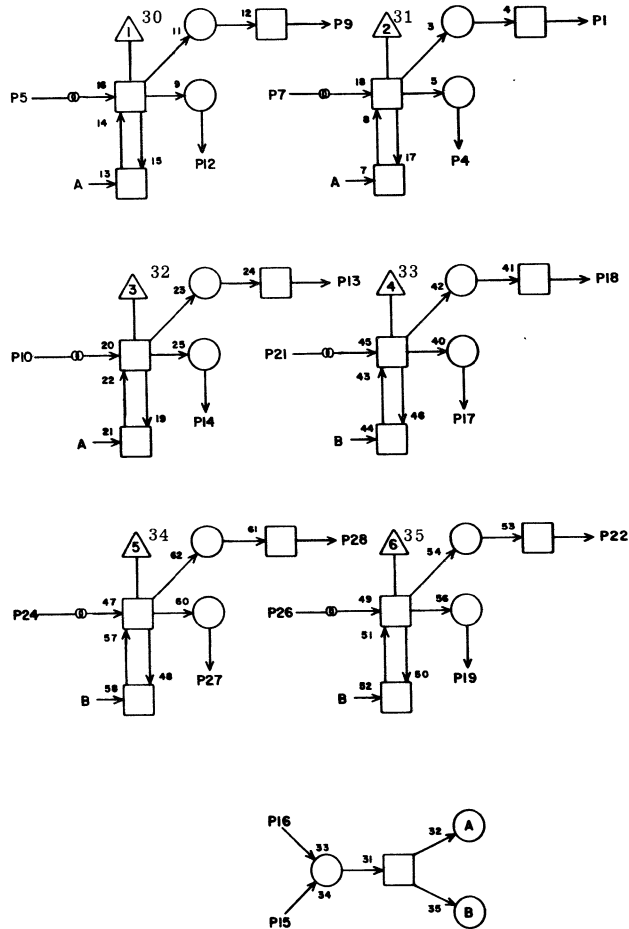
JACK PIN LG



PI

2D1

ECS TO CM



1	A23	7	23
2			
3			
4			
5	W35	90	
6			
7	W35	91	
8			
9	A23	8	25
10	W35	92	
11			
12			
13	A23	22	23
14			
15		Grd	2
16	D3	22	7
17			
18	A23	21	23
19			
20			
21	W35	93	
22	A24	7	27
23			
24	W35	94	
25			
26	W35	95	
27			
28	A24	8	25

JACK PIN LG
CIRCUIT SPECIFICATION 11827600

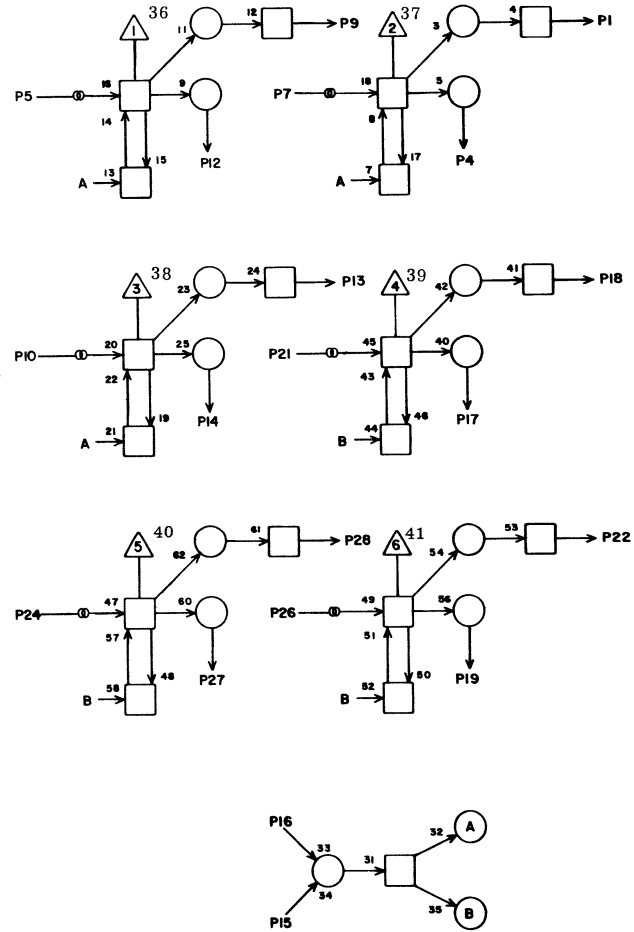
63019700 Rev. M



PI

2D2

ECS TO CM



1	A24	21	23
2			
3			
4			
5	W35	96	
6			
7	W35	97	
8			
9	A24	22	23
10	W35	98	
11			
12			
13	A25	8	23
14			
15		Grd	2
16	D3	23	7
17			
18	A25	7	25
19			
20			
21	W35	99	
22	A25	21	25
23			
24	W35	900	
25			
26	W35	901	
27			
28	A25	22	25

JACK PIN LG
CIRCUIT SPECIFICATION 11827600

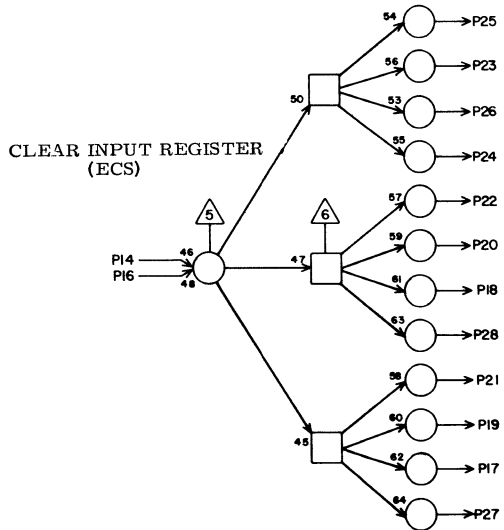
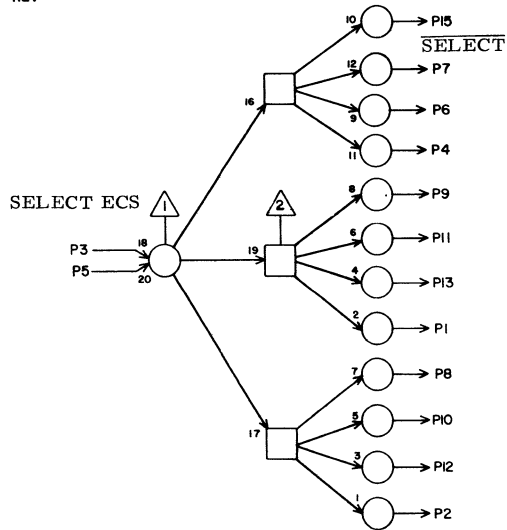
63019700 Rev. M

2D2

LS 63063500
ASSY

REV D

TC



2D3

1	A18	15	19
2	A19	15	21
3	A07	18	13
4	A20	15	21
5		Grd	2
6	A21	15	21
7	A22	15	23
8	A23	15	25
9	A24	15	25
10	A25	15	25
11	A26	15	27
12	A27	15	27
13	A28	15	29
14	A31	21	29
15	A29	15	29
16		Grd	2
17	C1	16	7
18	C2	16	7
19	C4	16	7
20	C5	16	7
21	C6	16	9
22	D1	16	7
23	D2	16	7
24	D4	16	5
25	D5	16	7
26	D6	16	7
27			
28			

JACK PIN LG
CIRCUIT SPECIFICATION 11827600

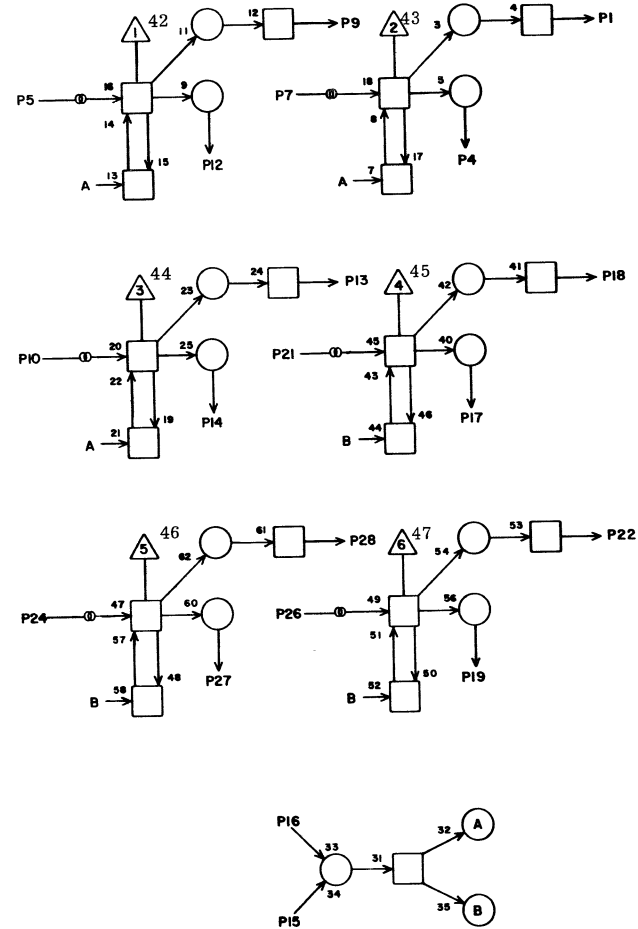
63019700 Rev. H

LS 63058300
ASSY

REV C

PI

ECS TO CM

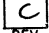


2D4

1	A26	7	23
2			
3			
4			
5	W35	902	
6			
7	W35	903	
8			
9	A26	8	23
10	W35	904	
11			
12			
13	A26	22	23
14			
15		Grd	2
16	D3	24	5
17			
18	A26	21	23
19			
20			
21	W36	90	
22	A27	7	25
23			
24	W36	91	
25			
26	W36	92	
27			
28	A27	8	25

JACK PIN LG
CIRCUIT SPECIFICATION 11827600

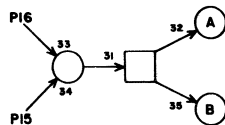
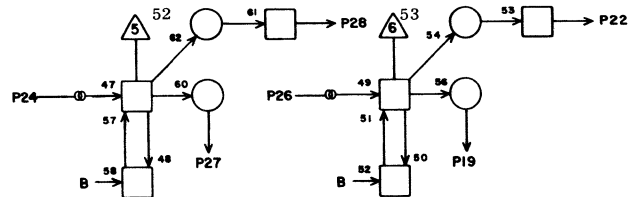
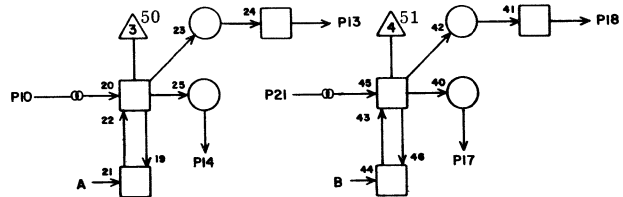
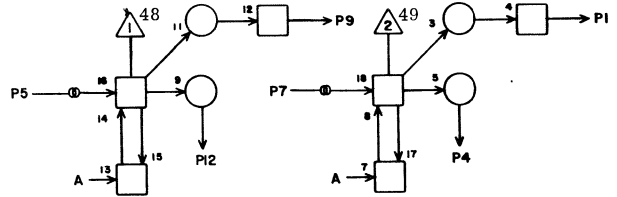
63019700 Rev. M

LS 63058300
ASSY 

PI

2D5


ECS TO CM



JACK	PIN	LG
1	A27	21 23
2		
3		
4		
5	W36	93
6		
7	W36	94
8		
9	A27	22 23
10	W36	95
11		
12		
13	A28	8 25
14		
15		Grd 2
16	D3	25 7
17		
18	A28	7 25
19		
20		
21	W36	96
22	A28	21 23
23		
24	W36	97
25		
26	W36	98
27		
28	A28	22 25

CIRCUIT SPECIFICATION 11827600

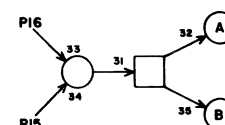
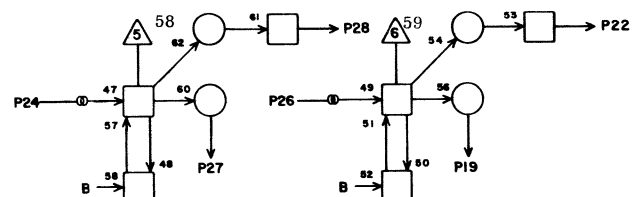
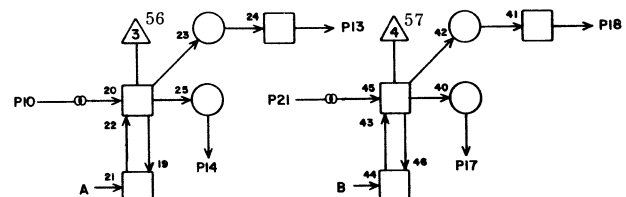
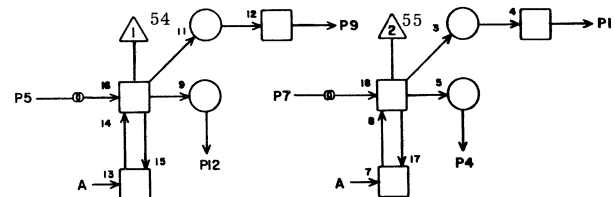
63019700 Rev. M

LS 63058300
ASSY 

PI

2D6

ECS TO CM



JACK	PIN	LG
1	A29	27 23
2		
3		
4		
5	W36	99
6		
7	W36	900
8		
9	A29	8 23
10	W36	901
11		
12		
13	A29	22 23
14		
15		Grd 2
16	D3	26 7
17		
18	A29	21 23
19		
20		
21	W36	902
22	A30	7 27
23		
24	W36	903
25		
26	W36	904
27		
28	A30	8 27

CIRCUIT SPECIFICATION 11827600

63019700 Rev. M

2D6

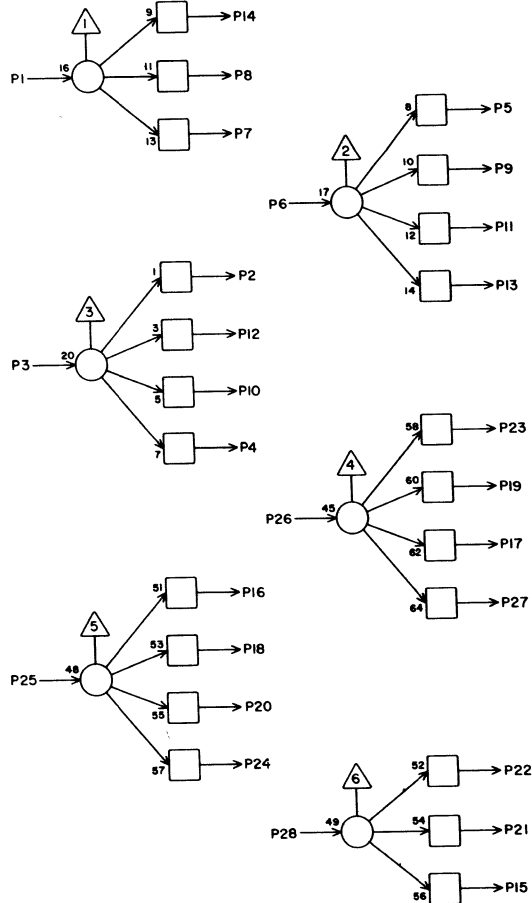
LS 63064000
ASSY



REV

TH

2D7



1	H37	20	1	35
2				
3	A07	17	13	
4				
5	J42	25	43	
6	H37	18	35	
7	J42	26	41	
8	D12	23	9	
9	D12	26	7	
10				
11				
12	D7	26	5	
13				
14				
15				
16				
17	A30	15	27	
18				
19				
20	D14	5	9	
21	A30	12	25	
22	A29	12	25	
23				
24	H24	26	33	
25	G18	16	19	
26	D7	12	5	
27				
28	D08	10	5	

JACK PIN LG
CIRCUIT SPECIFICATION 11827600

63019700 Rev 14D

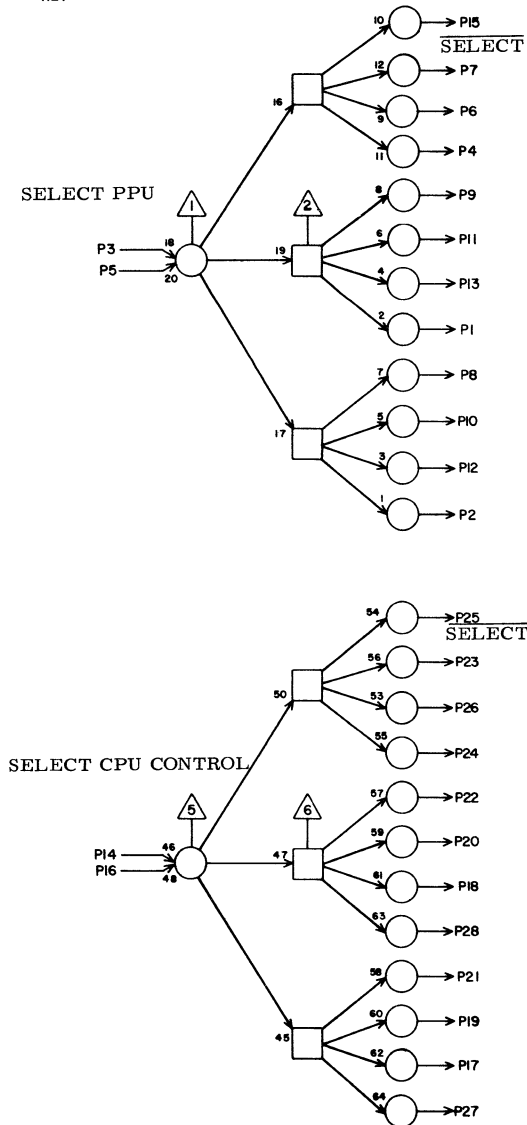
LS 63063500
ASSY



REV

TC

2D8

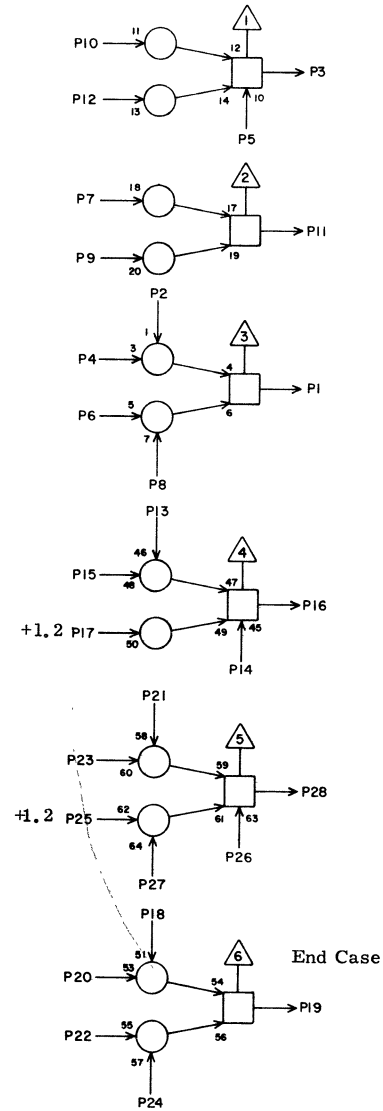


1	A26	12	23
2	A25	12	21
3	A07	9	15
4	A21	14	17
5		Grd	2
6	A20	14	17
7	A19	14	17
8	A27	12	23
9	A22	14	19
10	D07	28	5
11	A23	12	19
12	A28	12	23
13	A24	12	21
14	A07	1	15
15	A18	14	15
16		Grd	2
17			
18	A24	16	21
19	A29	16	25
20	A23	16	19
21	A27	16	23
22	A25	16	23
23	A28	16	23
24	A30	16	23
25			
26			
27			
28	A26	16	23

JACK PIN LG
CIRCUIT SPECIFICATION 11827600

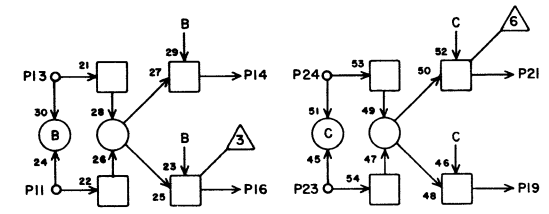
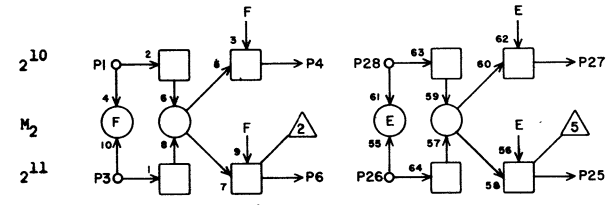
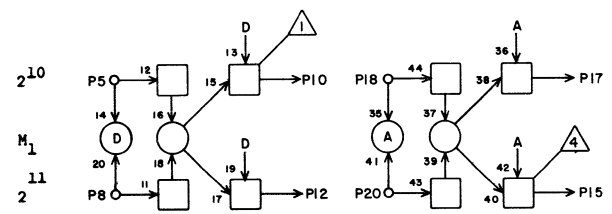
63019700 Rev. H

QH



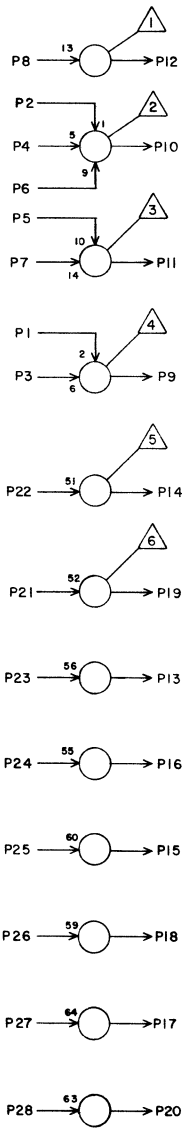
	JACK	PIN	LG
1	I32	25	31
2	G37	18	29
3			
4			
5			
6	I42	8	35
7			
8	J42	11	37
9			
10			
11			
12			
13	I32	10	29
14			
15	J25	10	29
16	E20	16	13
17	E18	25	11
18	A35	20	31
19	B37	12	31
20	E03	4	15
21	I32	17	29
22	E28	19	23
23	J25	12	29
24			
25	E18	23	11
26			
27			
28	E21	16	13

AB 2D12



1	B28	20	19
2			
3	B28	17	19
4	A32	17	23
5	B26	20	19
6	A32	23	23
7			
8	B26	17	17
9			
10	A32	9	23
11	E27	8	17
12	A32	12	23
13	E27	13	17
14	B37	7	29
15			
16	B37	23	29
17			
18			
19	O11	14	41
20			
21			
22			
23	D07	8	9
24	M38	4	43
25	N42	14	49
26	D07	9	7
27			
28	M38	5	43

JACK PIN LG



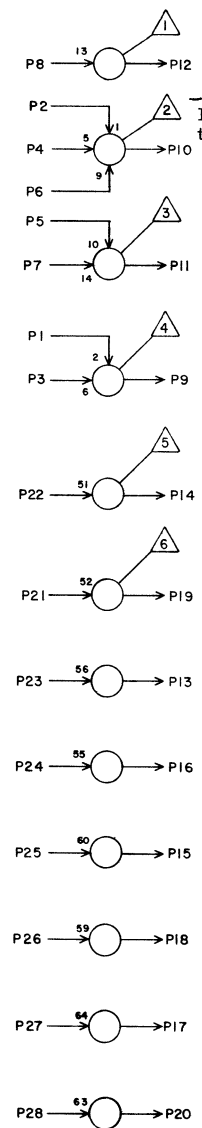
End Case

TL **2D13**

1	B25	11	19
2	E03	1	15
3			
4	E22	20	13
5	E27	7	21
6	E03	6	15
7	E03	3	15
8	B25	7	19
9	D15	6	5
10	E22	21	15
11	A35	28	27
12	D15	4	5
13	D15	12	5
14	D15	8	5
15	D15	1	5
16	D15	14	5
17	D15	5	5
18	D15	3	5
19	D15	10	5
20	D15	7	5
21	B25	17	19
22	B25	10	19
23	B25	20	19
24	B25	15	19
25	B26	7	19
26	B26	11	19
27	B26	10	19
28	B26	15	19

JACK PIN LG

M1

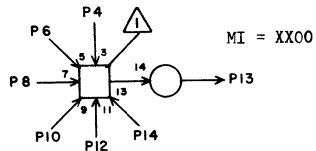


End Case
t600-700

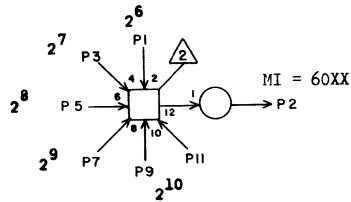
TL **2D14**

1	B27	11	17
2	E03	9	19
3			
4	E03	16	19
5	D07	20	9
6	E17	17	9
7			
8	B27	7	17
9	D15	19	5
10	E22	24	17
11	H37	19	29
12	D15	17	5
13	D15	25	5
14	D15	21	5
15	D15	16	5
16	D15	27	5
17	D15	20	5
18	D15	18	5
19	D15	23	5
20	D15	22	5
21	B27	17	17
22	B27	10	17
23	B27	20	17
24	B27	15	17
25	B28	7	19
26	B28	11	19
27	B28	10	19
28	B28	15	19

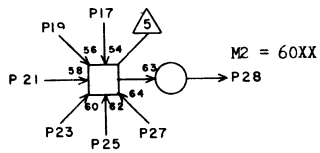
JACK PIN LG



MULT 1

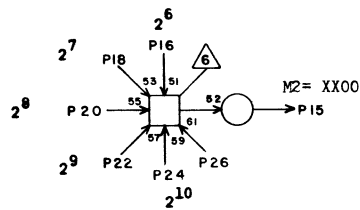


MI = 60XX



M2 = 60XX

MULT 2



M2 = XX00

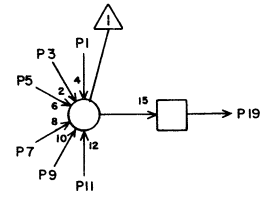
IP

2D15

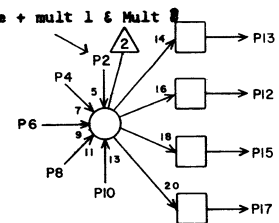
1	D13	15	5
2	E03	13	19
3	D13	18	5
4	D13	12	5
5	D13	17	5
6	D13	9	5
7	D13	20	5
8	D13	14	5
9	B26	24	17
10	D13	19	5
11			
12	D13	13	5
13	E03	12	19
14	D13	16	5
15	E03	24	19
16	D14	15	5
17	D14	12	5
18	D14	18	5
19	D14	9	5
20	D14	17	5
21	D14	14	5
22	D14	20	5
23	D14	19	5
24	B26	24	17
25	D14	13	5
26			
27	D14	16	5
28	E03	21	19

JACK PIN LG

63019700 Rev AD



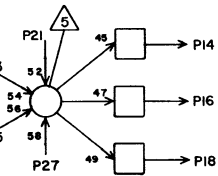
pop. ct. divide + mult 1 & Mult 2



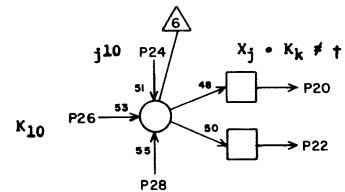
M2 - OF

Indef.

∞



3777



TB

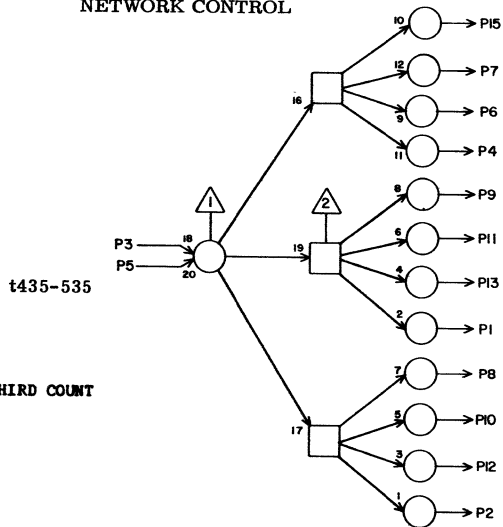
2D16

1	G42	6	31
2	G32	7	21
3			
4	J42	16	35
5	H37	13	27
6	D42	25	27
7			
8	G37	17	27
9			
10			
11			
12	F19	25	13
13	F19	23	13
14	I42	25	33
15			
16	J42	24	35
17			
18	A35	25	23
19	H37	2	27
20			
21	A32	16	23
22			
23	E21	19	9
24			
25	E21	12	9
26			
27			
28			

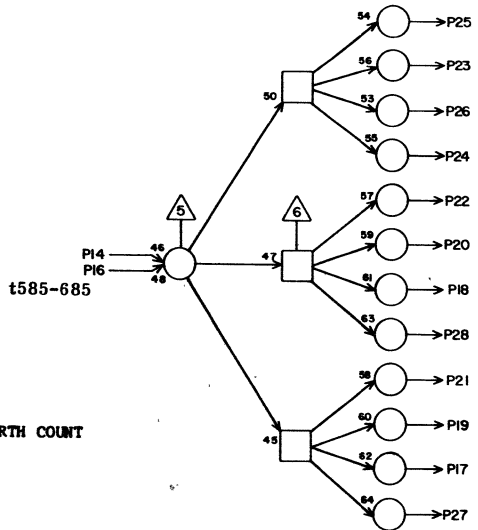
JACK PIN LG

63019700 Rev. H

POP. COUNT SUMMING
NETWORK CONTROL



THIRD COUNT



FOURTH COUNT

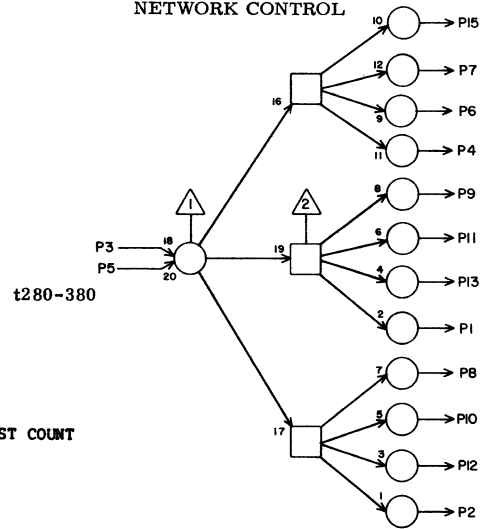
TC 2D17

1			
2			
3	D20	16	7
4			
5			
6			
7	G14	15	17
8			
9			
10			
11			
12			
13			
14	D20	15	7
15	F16	16	13
16			
17			
18			
19			
20			
21			
22			
23			
24			
25	G14	16	15
26			
27			
28			

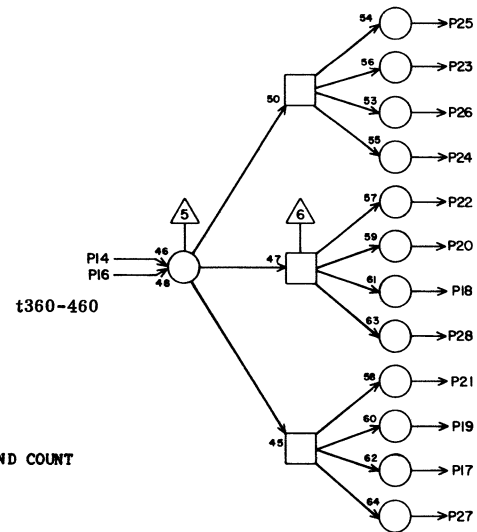
JACK PIN LG

63019700 Rev. H

POP. COUNT SUMMING
NETWORK CONTROL



FIRST COUNT



SECOND COUNT

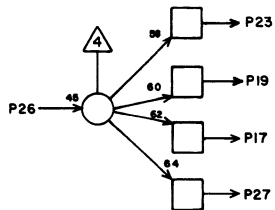
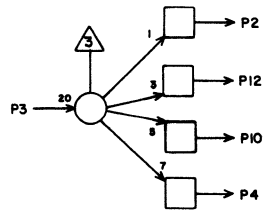
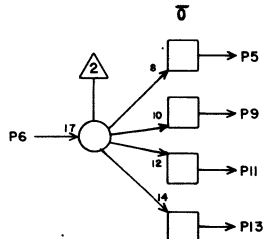
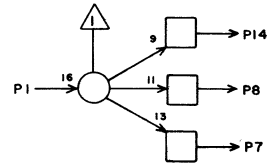
2D18

TC 2D18

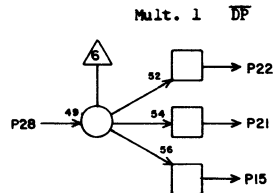
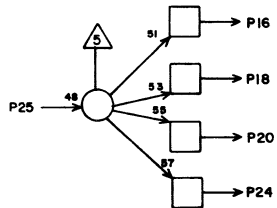
1	G36	26	23
2			
3	D20	6	7
4	F16	14	13
5			
6	F15	14	13
7	F14	14	13
8			
9	F17	14	13
10	G36	27	27
11	G13	14	17
12			
13	H42	21	29
14	D20	5	7
15	F13	14	13
16			
17			
18			
19			
20			
21			
22	G14	14	15
23	F14	15	13
24	F16	15	11
25	F13	15	13
26	F15	15	11
27			
28			

JACK PIN LG

63019700 Rev. U



Mult. 1 DP

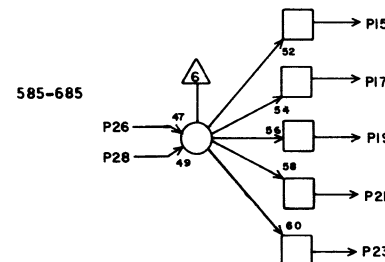
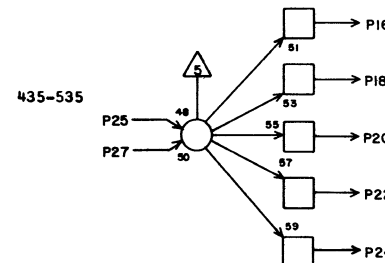
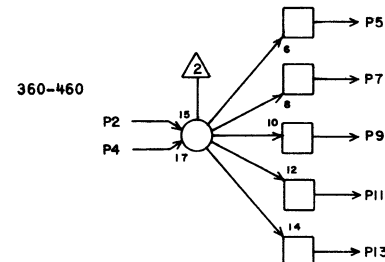
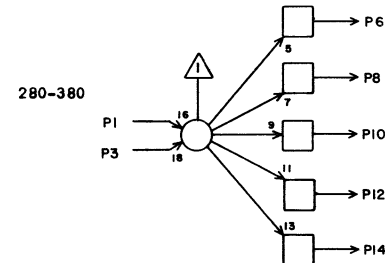


Mult. 1 DP

TH 2D19			
JACK	PIN	LG	
1	D21	1	5
2	H31	14	23
3	C37	20	19
4			
5	E20	14	9
6	B24	11	13
7	A38	24	27
8	A35	5	180
9	E21	14	9
10			
11			
12	E23	24	11
13			
14	D21	21	5
15			
16	B29	15	17
17			
18	B30	15	17
19	E21	13	7
20			
21	B30	14	17
22	B29	14	17
23	E20	13	7
24			
25	Q11	9	49
26	B24	9	13
27			
28	Q11	12	49

JACK PIN LG
63019700 Rev. Z

DIVIDE TIMING



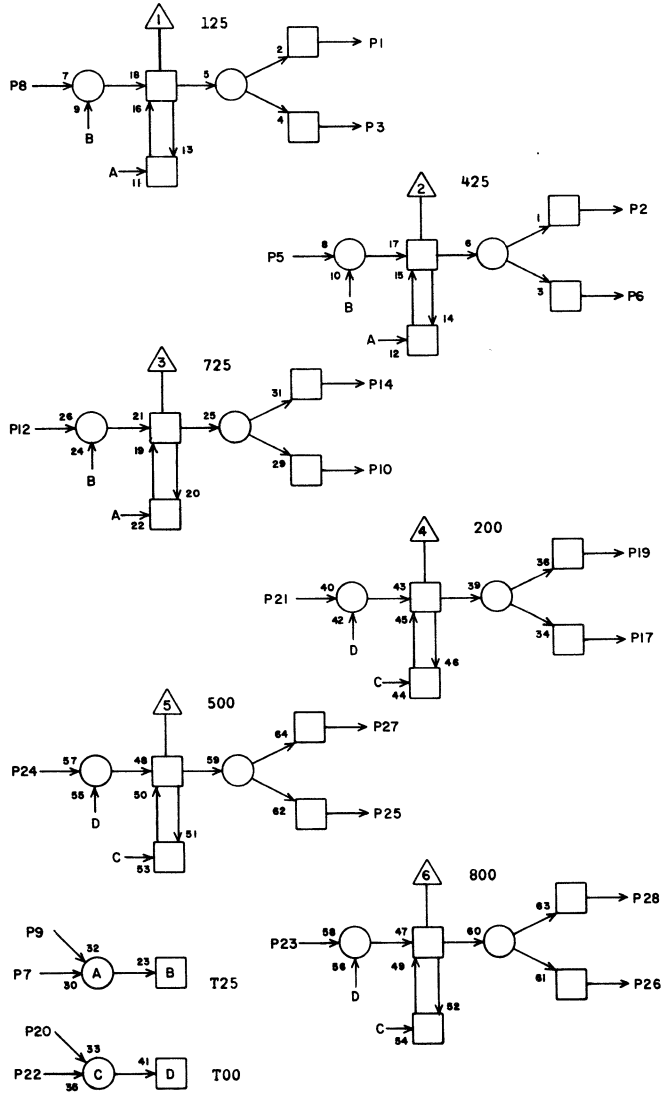
T D 2D20

1	D22	3	7
2	D22	19	7
3			
4			
5	D18	14	7
6	D18	3	7
7	A38	13	27
8	F17	15	13
9			
10	G13	15	17
11			
12			
13			
14	G37	3	21
15	D17	14	7
16	D17	3	7
17			
18			
19			
20			
21			
22			
23			
24			
25	D21	6	5
26	D22	6	7
27			
28			

JACK PIN LG

63019700 Rev Z

DIVIDE TIMING



PA

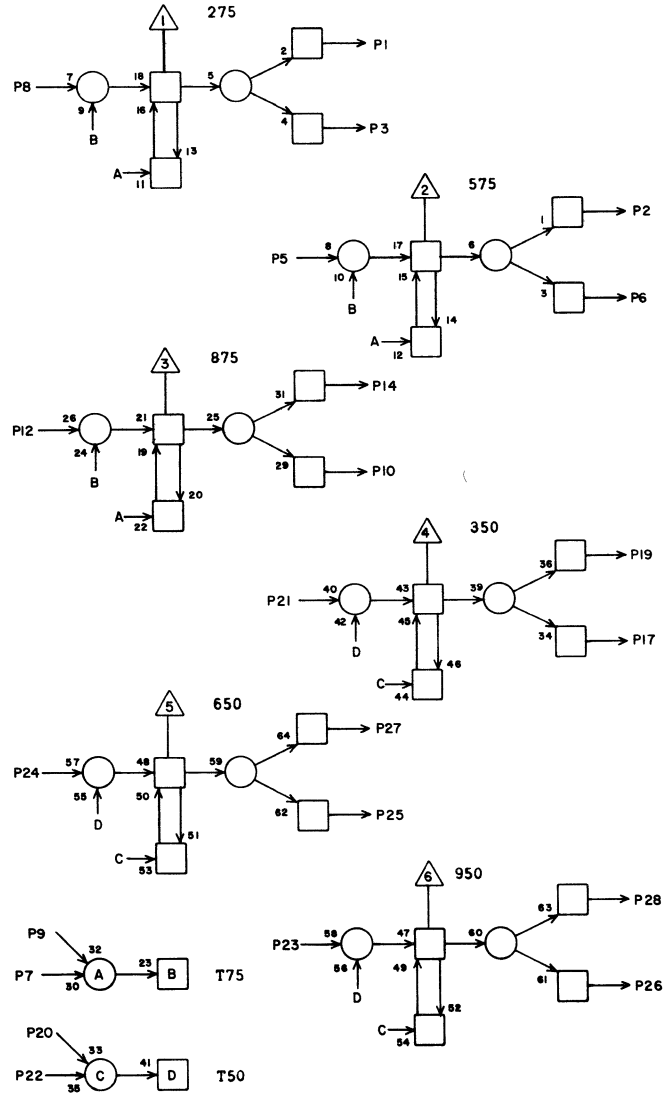
2D21

1	D19	1	5
2	D21	24	5
3	G19	10	15
4			
5	D22	17	5
6	D20	25	5
7	I24	15	23
8	G19	20	19
9	G16	11	17
10	D21	23	5
11			
12	D22	25	5
13			
14			
15			
16			
17	D22	8	5
18			
19	G15	6	17
20	H24	5	19
21	D19	14	5
22			
23	D21	10	5
24	D21	2	5
25	D22	5	5
26	D22	12	5
27	J22	2	25
28			

JACK PIN LG

63019700 Rev. H

DIVIDE TIMING



PA

2D22

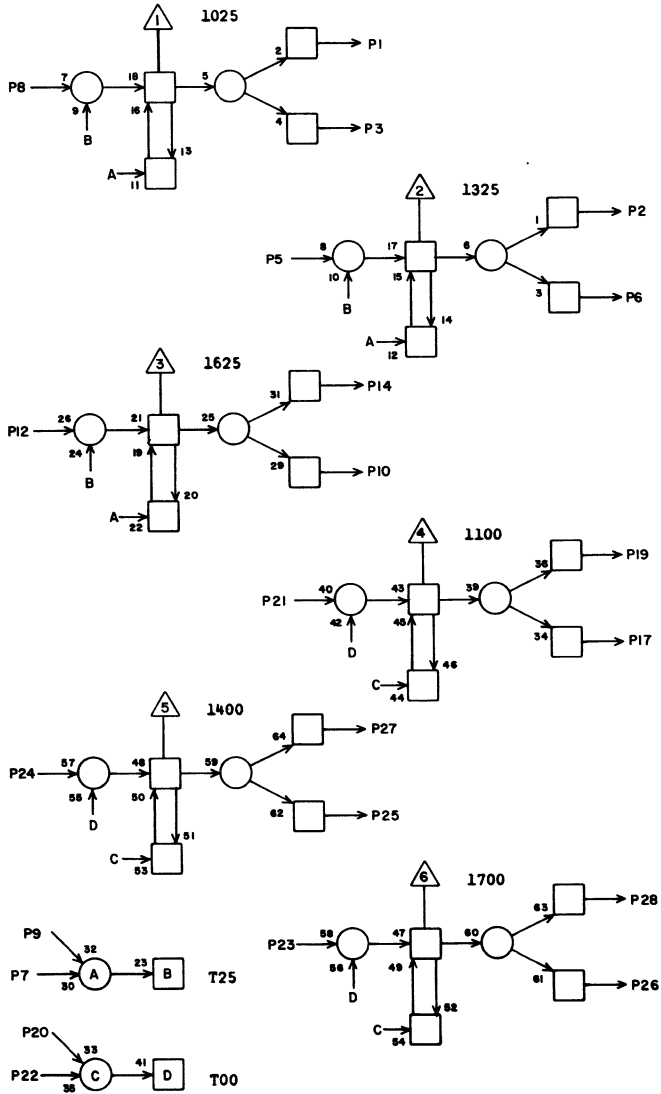
1	D22	21	5
2	D22	24	5
3	D20	1	7
4			
5	D21	25	5
6	D20	26	7
7	H24	6	19
8	D21	17	5
9			
10	D22	23	5
11			
12	D21	26	5
13			
14			
15			
16			
17	D21	5	5
18			
19	D20	2	7
20	I24	11	23
21	D22	1	5
22			
23	D22	10	5
24	D22	2	5
25	D21	12	5
26	D23	8	5
27	G16	5	15
28			

JACK PIN LG

63019700 Rev. H

2D22

DIVIDE TIMING

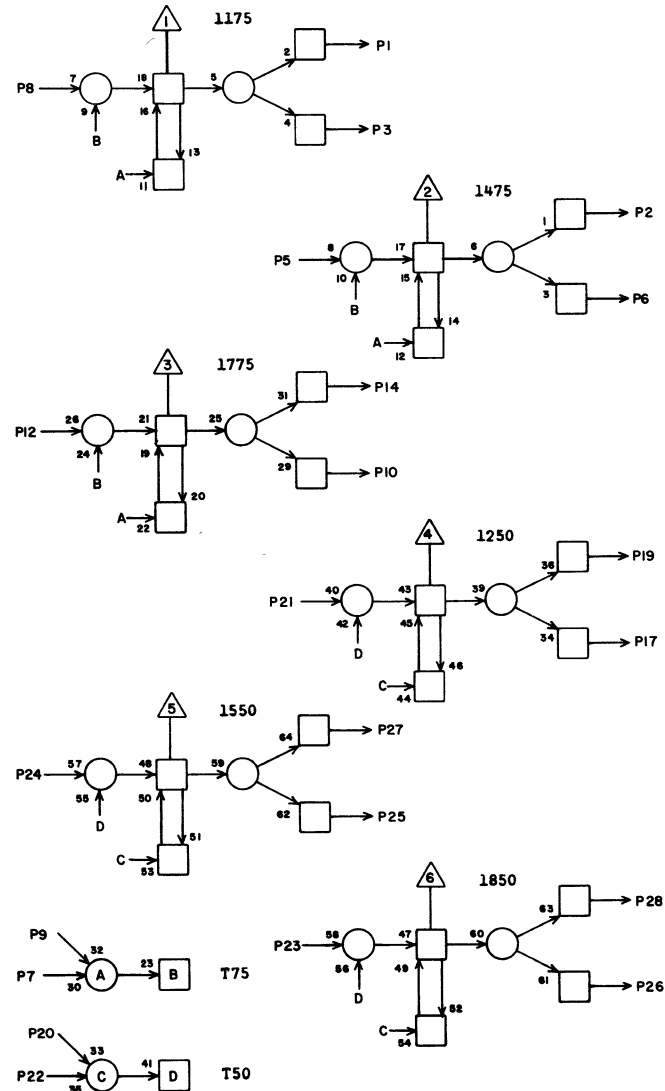


PA 2D23

1	D23	21	5
2	D23	24	5
3			
4			
5	D24	17	5
6			
7	I24	17	21
8	D22	26	5
9			
10	D23	23	5
11			
12	D24	25	5
13			
14			
15			
16			
17	D24	8	5
18			
19			
20	H24	7	17
21	D23	1	5
22			
23	D23	10	5
24	D23	2	5
25	D24	5	5
26	D24	12	5
27			
28			

63019700 Rev. H

DIVIDE TIMING

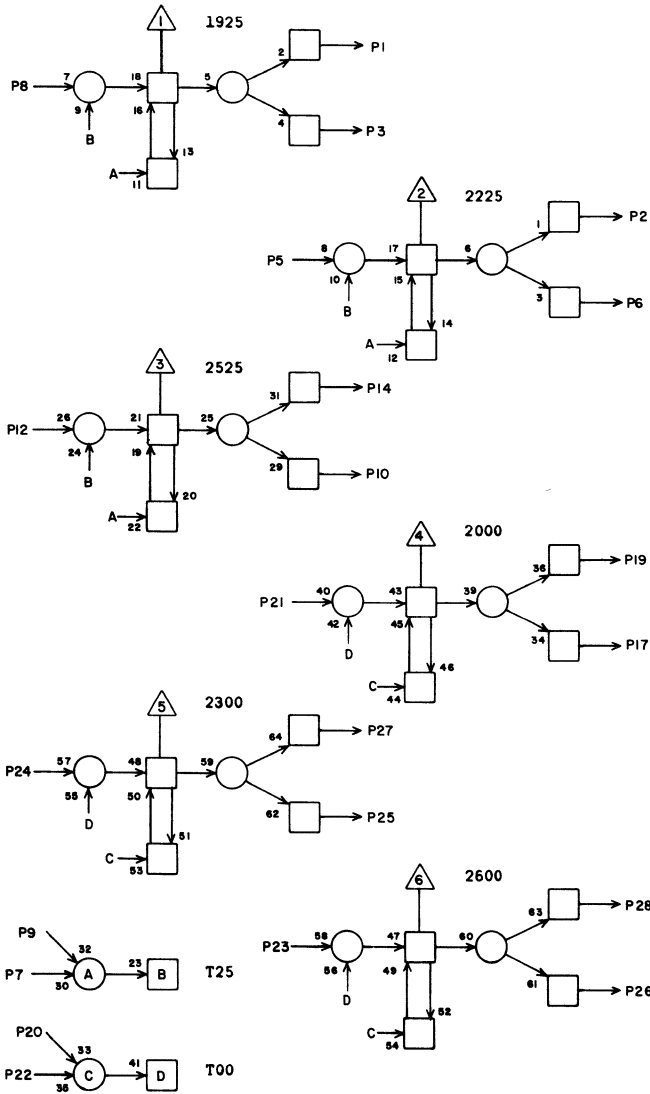


PA 2D24

1	D24	21	5
2	D24	24	5
3			
4			
5	D23	25	5
6			
7	H24	8	19
8	D23	17	5
9			
10	D24	23	5
11			
12	D23	26	5
13			
14			
15			
16			
17	D23	5	5
18			
19			
20	I24	13	21
21	D24	1	5
22			
23	D24	10	5
24	D24	2	5
25	D23	12	5
26	D25	8	5
27			
28			

63019700 Rev. H

DIVIDE TIMING

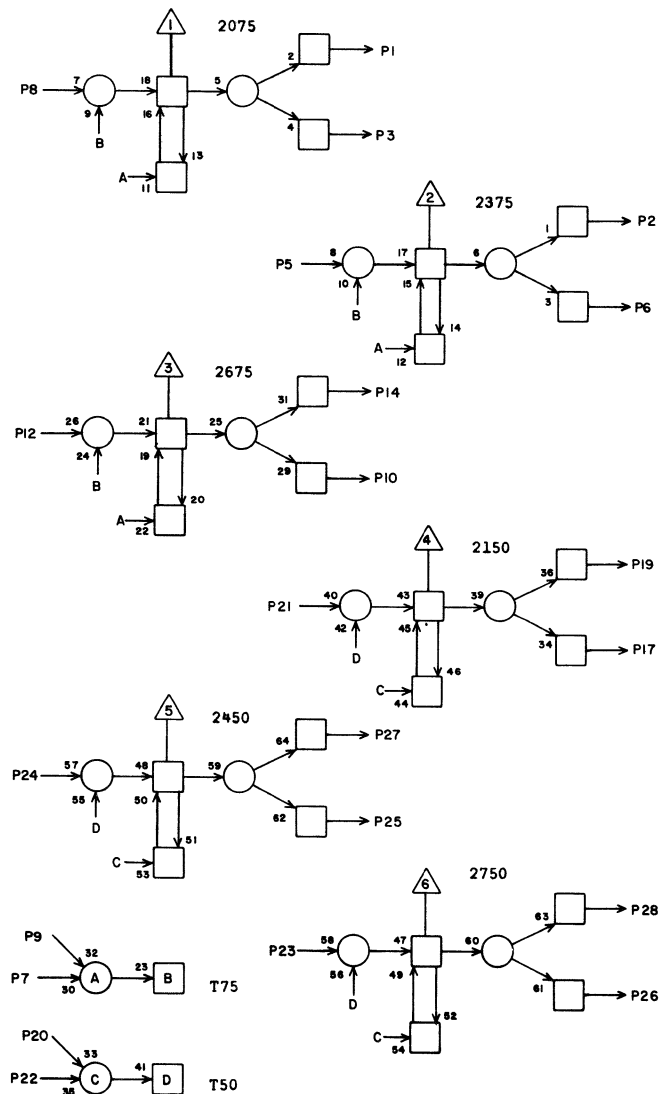


PA 2D25

1	D25	21	5
2	D25	24	5
3			
4			
5	D26	17	5
6			
7	I24	19	23
8	D24	26	5
9			
10	D25	23	5
11			
12	D26	25	5
13			
14			
15			
16			
17	D26	8	5
18			
19			
20	H24	9	19
21	D25	1	5
22			
23	D25	10	5
24	D25	2	5
25	D26	5	5
26	D26	12	5
27			
28			

JACK PIN LG
63019700 Rev. H

DIVIDE TIMING

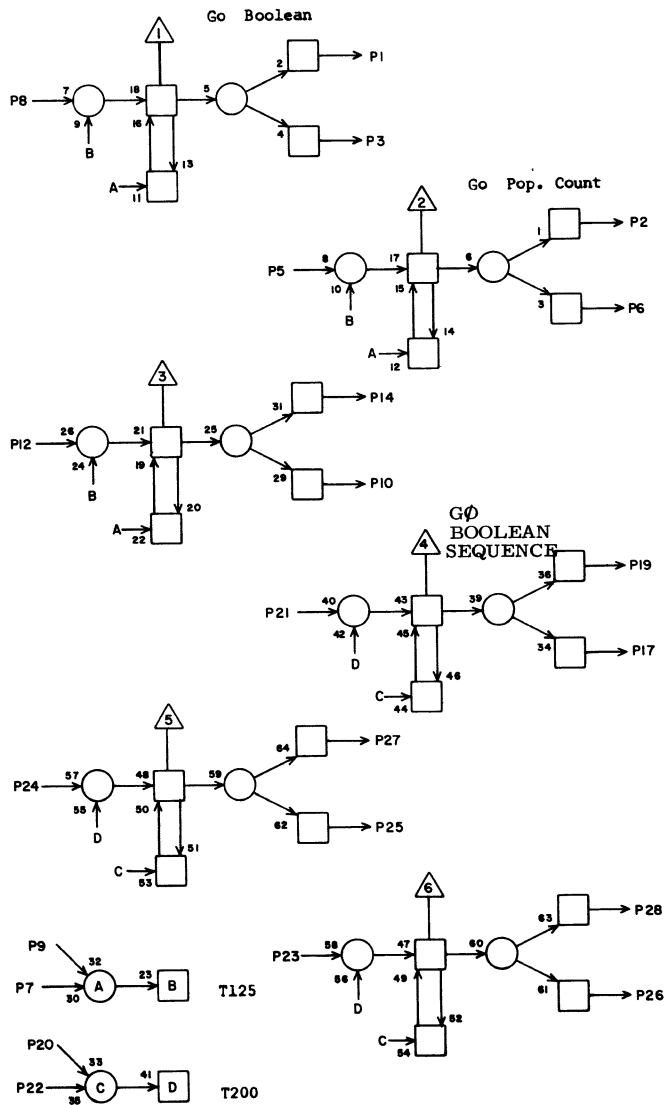


PA 2D26

1	D26	21	5
2	D26	24	5
3			
4			
5	D25	25	5
6			
7	H24	10	19
8	D25	17	5
9			
10	D26	23	5
11			
12	D25	26	5
13			
14	J22	1	25
15			
16			
17	D25	5	5
18			
19			
20	I24	16	23
21	D26	1	5
22			
23	D26	10	5
24	D26	2	5
25	D25	12	5
26	D27	12	5
27			
28	E10	5	19

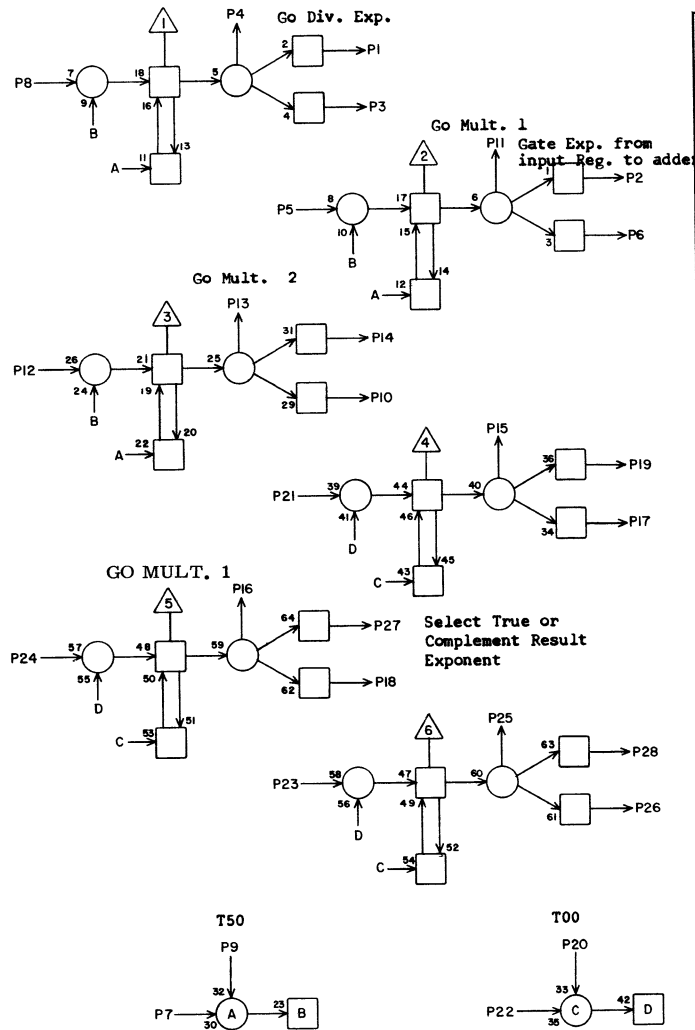
JACK PIN LG
63019700 Rev. H

2D26



PA 2D27			
JACK	PIN	LG	
1	I32	28	120
2	D27	24	5
3	E01	11	27
4			
5	L11	20	37
6	G15	28	21
7	I24	21	23
8	L11	24	39
9			
10	D27	23	5
11			
12	D26	26	5
13			
14			
15			
16			
17	O10	3	45
18			
19	P11	7	53
20	H24	11	19
21	I32	15	25
22			
23	D27	10	5
24	D27	2	5
25	I11	3	27
26			
27	P15	6	53
28			

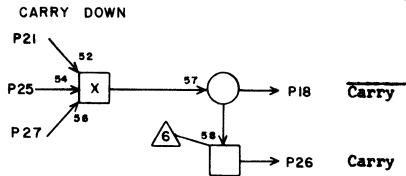
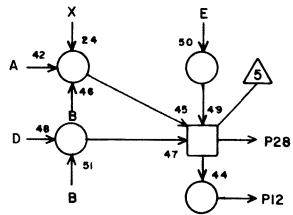
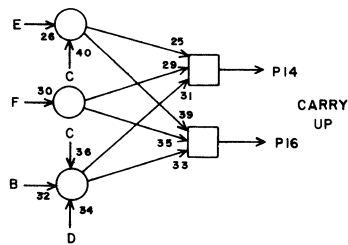
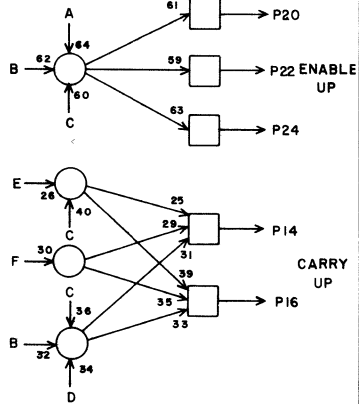
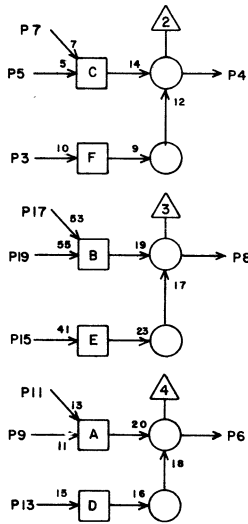
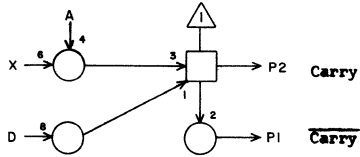
63019700 Rev. K



PJ 2D28			
JACK	PIN	LG	
1	D28	21	5
2	D28	24	5
3			
4			
5	Q18	17	53
6			
7			
8	H27	11	19
9	J24	25	29
10	D28	23	5
11	E26	5	7
12	Q18	19	53
13	E26	7	7
14			
15			
16			
17			
18	I32	3	23
19			
20	H24	13	19
21	D28	1	5
22			
23	D28	10	5
24	D28	2	5
25			
26	I32	26	23
27	H32	9	19
28	H32	20	19

63019700 Rev. H

DIVIDE EXPONENT CARRIES ON $X_j - X_k - 60_8 (48_{10})$



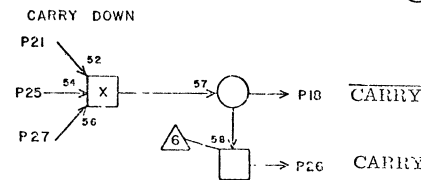
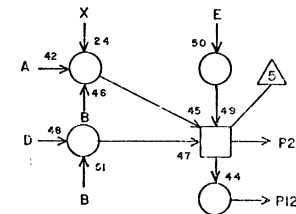
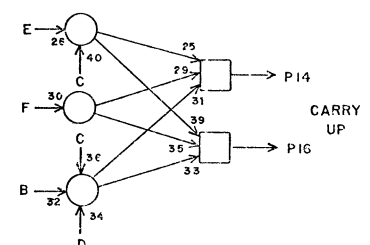
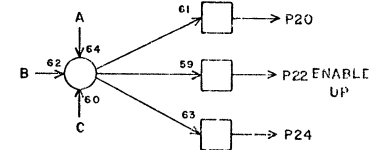
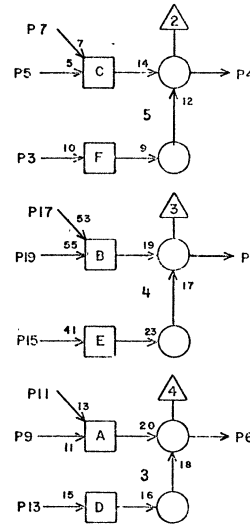
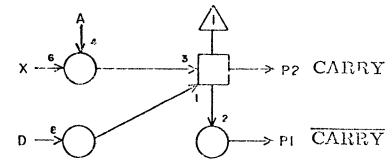
QB 2D29

1	C35	5	11
2	C35	6	11
3			
4	C35	24	11
5			
6	C35	10	11
7	G28	27	17
8	C35	7	11
9			
10			
11	G28	12	17
12	C35	26	11
13			
14	B40	23	17
15			
16	B40	14	17
17	G28	4	17
18	C35	8	11
19			
20	B40	15	17
21	G36	20	19
22			
23			
24			
25	B40	7	17
26	C35	9	11
27	B40	18	17
28	C35	25	11

JACK PIN LG

63019700 Rev. H

DIVIDE CARRIES ON $X_j - X_k - 60_8$ EXPONENT QB 2D30



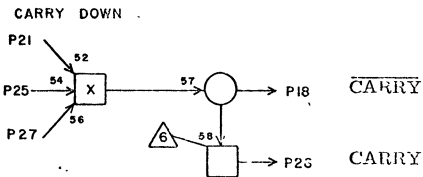
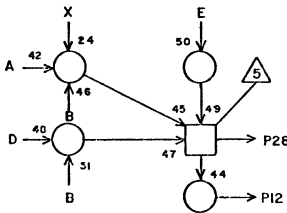
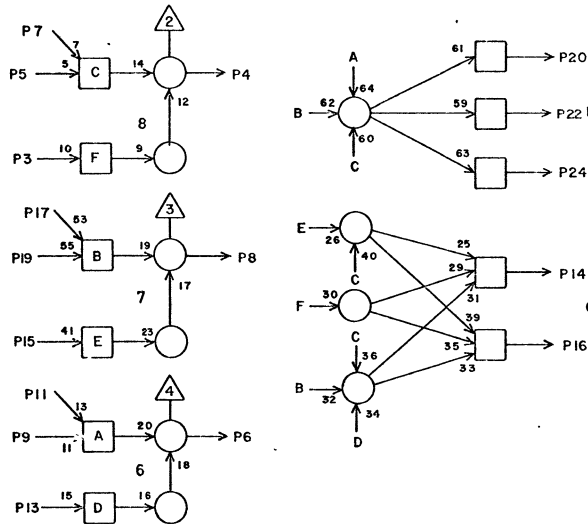
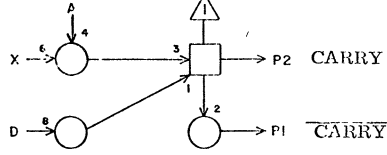
1	C36	8	9
2	C36	9	9
3	G29	4	15
4	C35	7	9
5			
6	C35	21	9
7	E40	27	13
8	C36	10	9
9			
10			
11	G28	19	15
12	C36	5	11
13			
14	E40	20	17
15	G29	12	15
16	B40	6	17
17	E41	27	15
18	C35	23	9
19			
20	B40	28	17
21	E40	21	17
22	E40	16	17
23			
24			
25			
26	C35	22	9
27	B40	10	17
28	C35	5	11

JACK PIN LG

63019700 Rev. H

2D30

DIVIDE CARRIES ON $X_j - X_k - 60_8$ EXPONENT

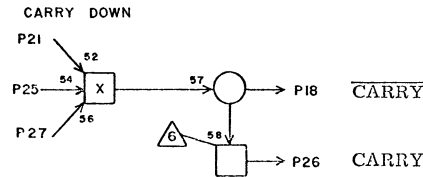
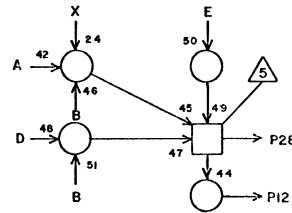
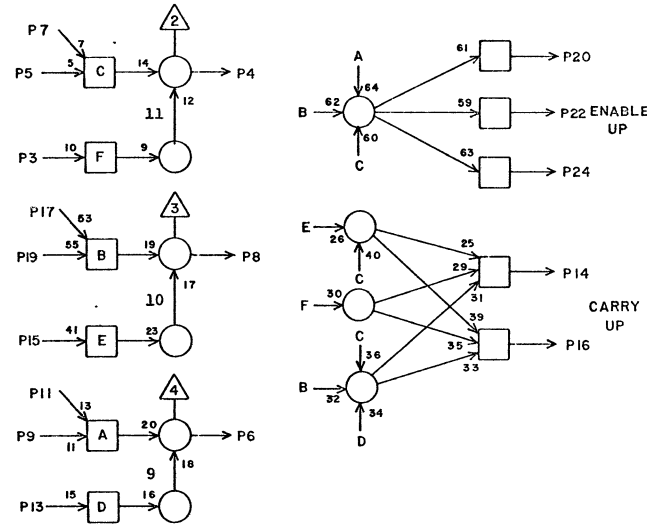
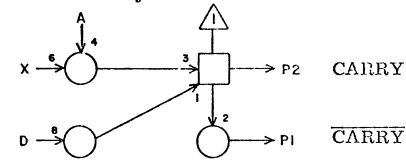


QB 2031

1	C36	23	11
2	C36	22	11
3			
4	C37	10	9
5			
6	C36	24	11
7	G30	12	15
8	C36	21	11
9			
10			
11	G29	27	17
12	C37	8	9
13			
14	B40	8	17
15			
16			
17	G29	19	15
18	C36	26	11
19			
20	B40	26	17
21			
22	B40	4	17
23			
24			
25			
26	C36	25	11
27	B40	11	17
28	C37	9	11
	JACK	PIN	LG

63019700 Rev. H

DIVIDE CARRIES ON $X_j - X_k - 60_8$ EXPONENT

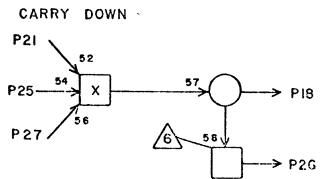
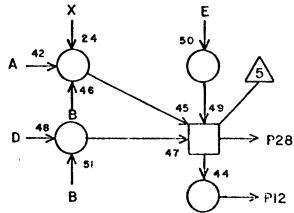
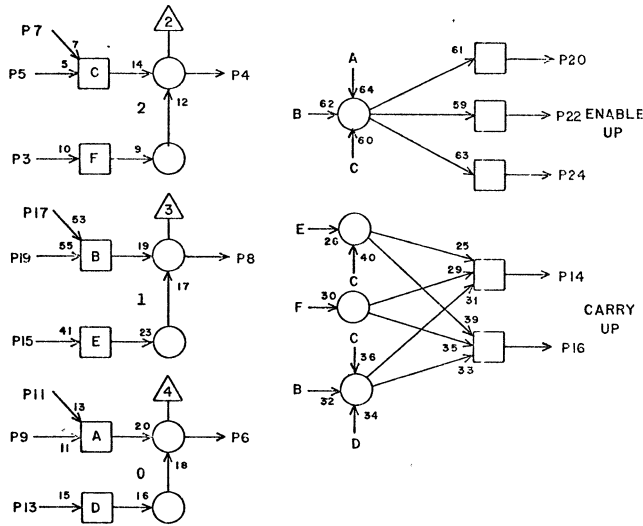
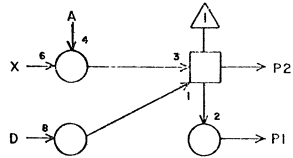


QB 2132

1	C37	26	9
2	C37	25	9
3			
4	C37	21	9
5			
6	C37	7	9
7	G30	19	17
8	C37	24	9
9			
10			
11	G30	4	15
12	C37	23	9
13			
14	G35	28	17
15			
16			
17	G30	27	17
18	C37	5	9
19			
20	B40	5	13
21			
22			
23			
24			
25	B40	24	13
26	C37	6	9
27	B40	10	13
28	C37	22	9
	JACK	PIN	LG

63019700 Rev. H

MULT. 1 CARRIES ON $X_j + X_k + 60_8$ (48_{10})



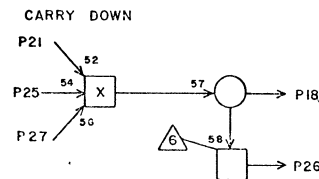
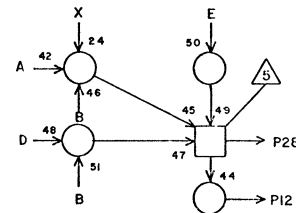
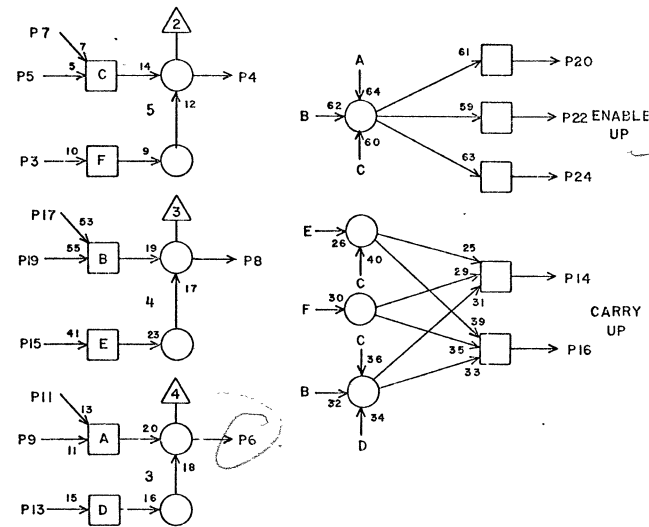
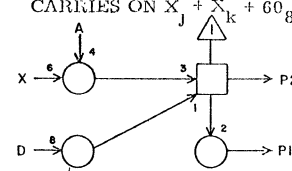
QB 2020

1	C38	5	9
2	C38	6	9
3	G33	27	17
4	C38	24	13
5	G41	6	17
6	C38	10	9
7			
8	C38	7	9
9	G41	10	17
10			
11			
12	C38	26	9
13	G33	12	17
14	B41	14	13
15	G33	4	17
16	B41	23	15
17			
18	C38	8	9
19	G41	8	17
20	B41	15	13
21	E22	12	15
22	A41	25	19
23			
24	A41	16	19
25	B41	7	13
26	C38	9	11
27	B41	14	15
28	C38	25	11

JACK PIN LG

63019700 Rev. H

MULTIPLY 1 CARRIES ON $X_j + X_k + 60_8$



QB 2134

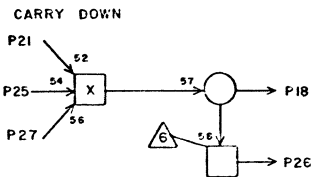
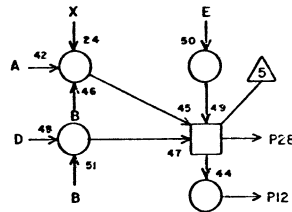
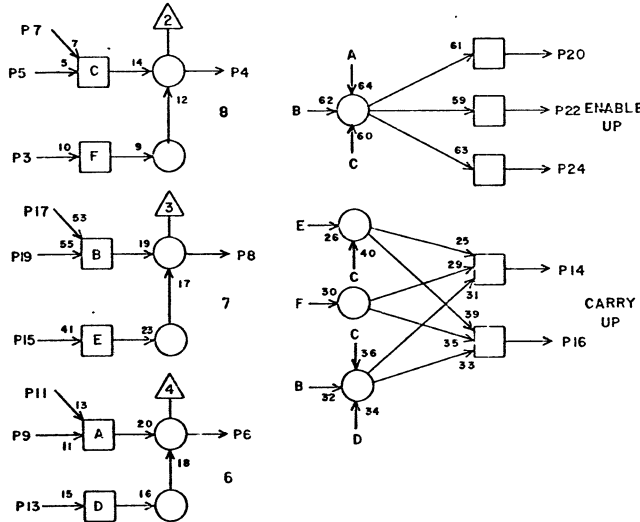
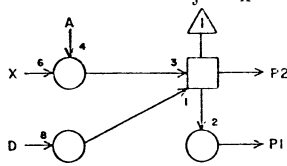
1	C39	8	17
2	C39	9	11
3			
4	C39	7	9
5			
6	C38	21	7
7	G34	4	15
8	C39	10	11
9	G41	4	17
10			
11			
12	C39	5	19
13	G33	19	15
14	B41	6	13
15			
16	B41	20	15
17	G34	12	15
18	C38	23	9
19			
20	B41	16	13
21	B41	21	15
22	B41	28	15
23			
24	A41	26	19
25	A41	21	19
26	C38	22	9
27	B41	13	13
28	C39	6	11

JACK PIN LC

63019700 Rev. H

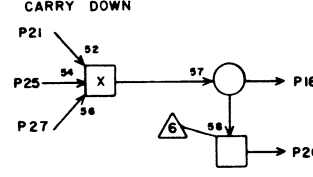
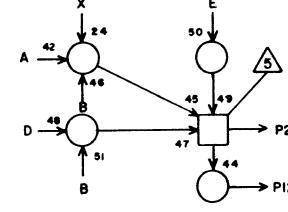
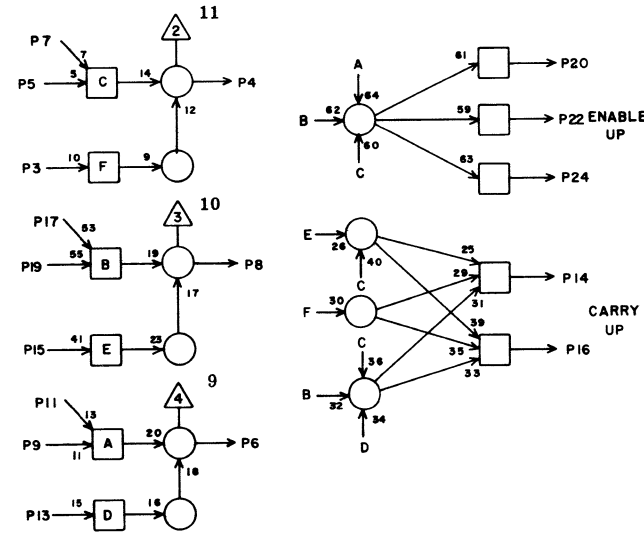
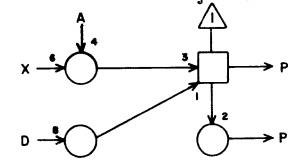
2134

MULTIPLY 1 CARRIES ON $X_j + X_k + 60_8$



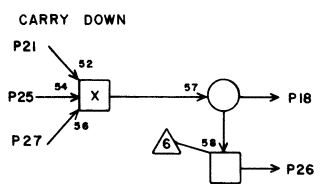
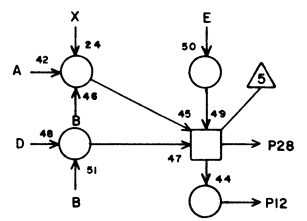
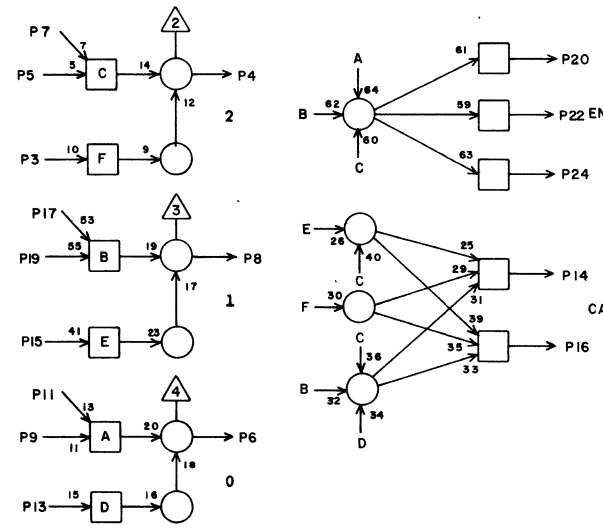
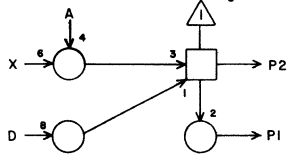
	QB		
1	C39	22	7
2	C39	22	7
3	C35	12	15
4	C40	10	9
5	G41	7	17
6	C39	24	7
7			
8	C39	21	7
9	G41	2	17
10			
11			
12	C40	8	9
13	G34	27	17
14	E41	8	13
15	G34	19	17
16	A41	15	19
17			
18	C39	26	7
19	C41	9	17
20	E41	4	13
21	A41	12	19
22	B41	25	15
23			
24	A41	5	19
25	A41	24	19
26	C39	25	7
27	E41	11	13
28	C40	6	11
	JACK	FIN	LG

MULTIPLY 1 CARRIES ON $X_j + X_k + 60_8$



	QB		
1	C40	26	11
2	C40	25	7
3	G35	19	17
4	C40	21	7
5	G41	1	15
6	C40	7	9
7			
8	C40	24	7
9	G41	5	15
10			
11			
12	C40	23	7
13	G35	4	15
14	E22	8	17
15	G35	27	17
16	A41	27	19
17			
18	C40	5	9
19	G41	3	15
20	B41	5	13
21	A41	18	19
22	A41	14	19
23			
24			
25	B41	24	13
26	C40	6	9
27	B41	10	13
28	C40	22	9
	JACK	PIN	LG

MULT. 2 CARRIES ON $X_j + X_k + 60_8 (48_{10})$



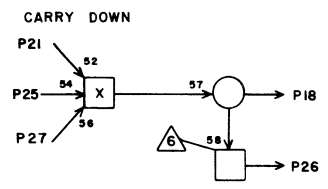
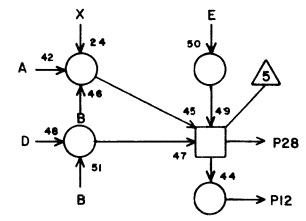
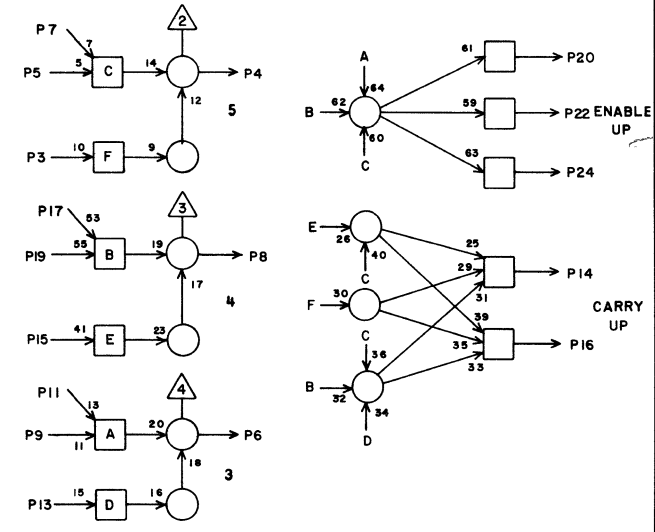
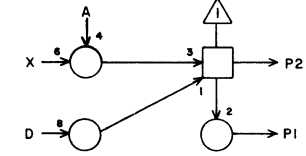
QB 2D37

1	C41	5	7
2	C41	6	7
3	G38	27	17
4	C41	24	7
5	G41	24	17
6	C41	10	7
7			
8	C41	7	7
9	G41	28	17
10			
11			
12	C41	26	7
13	G38	12	15
14	B42	14	13
15	G38	6	15
16	B42	23	13
17			
18	C41	8	7
19	G41	26	15
20	B42	15	13
21	E22	14	19
22	A42	25	17
23			
24	A42	16	17
25	B42	7	13
26	C41	9	11
27	B42	18	13
28	C41	25	11

JACK PIN LG

63019700 Rev. H

MULTIPLY 2 CARRIES ON $X_j + X_k + 60_8$



QB 2D38

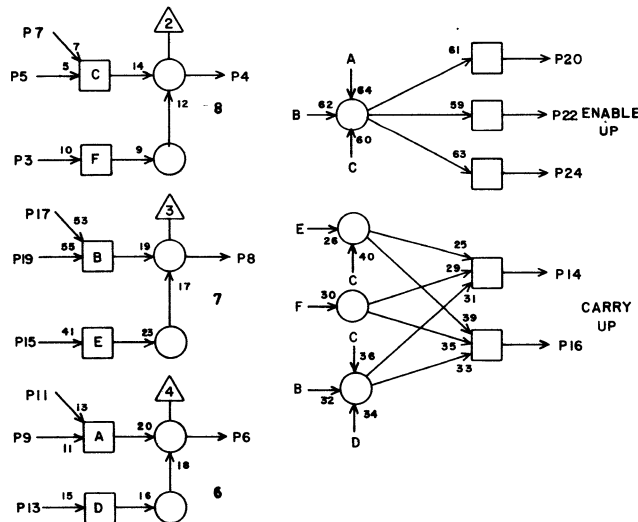
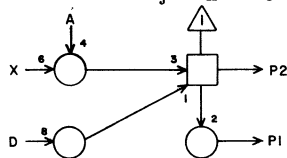
1	C42	8	9
2	C42	9	9
3			
4	C42	7	9
5			
6	C41	21	7
7	G39	4	15
8	C42	10	9
9	G41	22	17
10			
11			
12	C42	5	9
13	G38	19	17
14	B42	6	13
15			
16	B42	20	13
17	G39	12	17
18	C41	23	7
19			
20	B42	16	13
21	B42	21	13
22	B42	28	13
23			
24	A42	26	17
25	A42	21	17
26	C41	22	11
27	B42	13	13
28	C42	6	11

JACK PIN LG

63019700 Rev. H

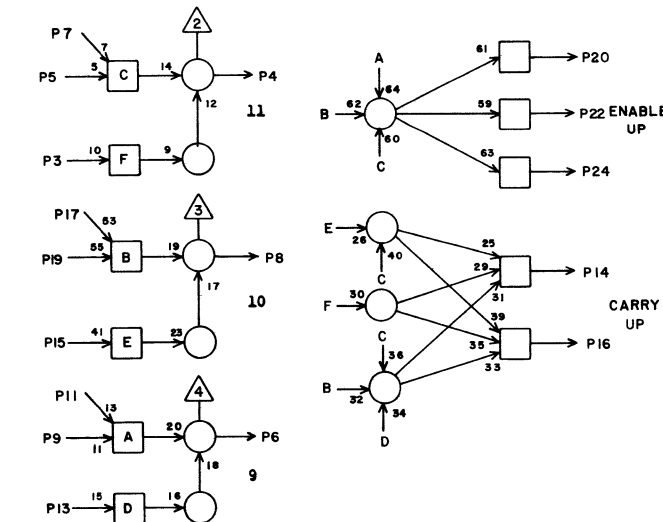
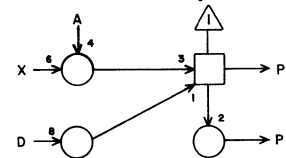
2D38

MULTIPLY 2 CARRIES ON $X_j + X_k + 60_8$



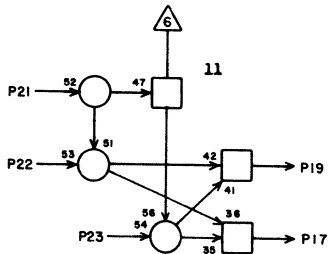
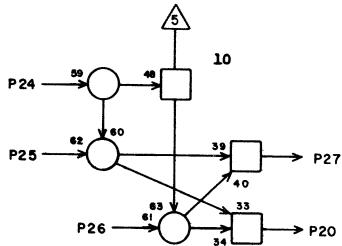
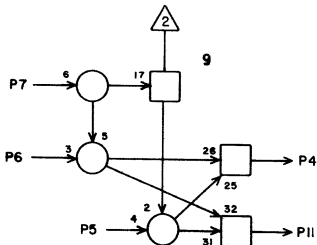
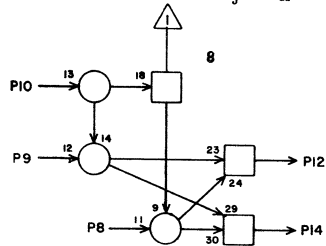
QB		2D39	
1	C42	23	9
2	C42	22	9
3	G40	12	15
4	D41	10	5
5	G41	25	15
6	C42	24	9
7			
8	C42	21	9
9	G41	20	15
10			
11			
12	D41	8	5
13	G39	27	15
14	D42	8	13
15	G39	19	15
16	A42	15	13
17			
18	C42	26	9
19	G41	27	15
20	D42	4	13
21	A42	12	13
22	D42	26	13
23			
24	A42	5	13
25	A42	24	13
26	C42	25	9
27	D42	11	13
28	D41	9	5
	JACK	PIN	LG

MULTIPLY 2 CARRIES ON $X_j + X_k + 60_8$



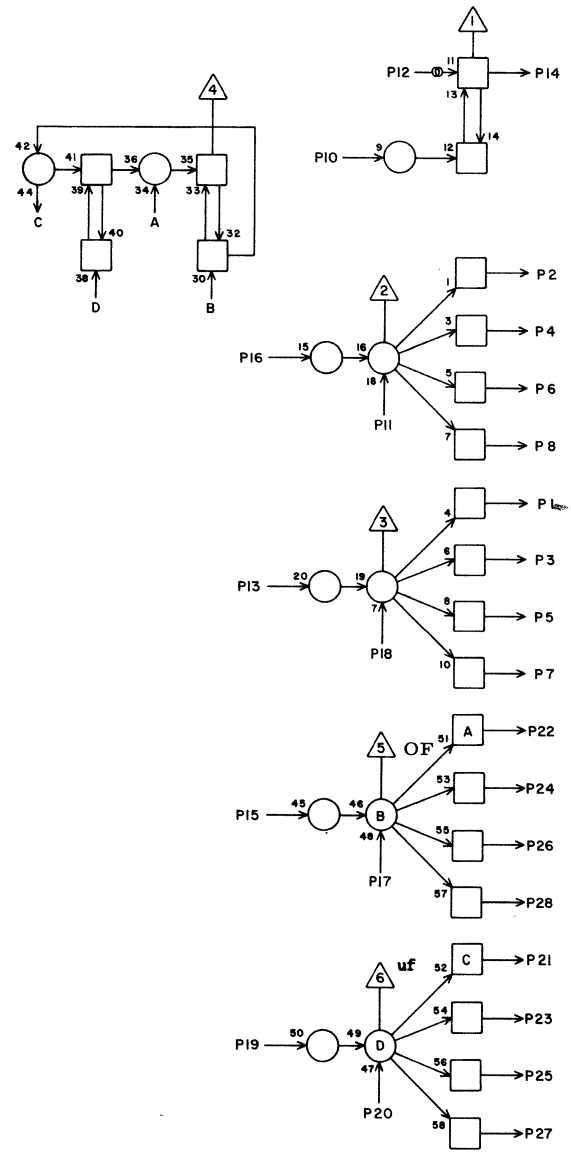
QB		2D40	
1	D41	26	5
2	D41	25	5
3	G40	19	17
4	D41	21	5
5	G41	19	17
6	D41	7	5
7			
8	D41	24	5
9	G41	23	17
10			
11			
12	D41	23	5
13	G40	4	15
14	E22	22	21
15	G40	27	17
16	A42	27	13
17			
18	D41	5	5
19	G41	21	17
20	D42	5	13
21	A42	18	17
22	A42	14	17
23			
24			
25	D42	24	13
26	D41	6	5
27	D42	10	13
28	D41	22	5
	JACK	PIN	LG

MULTIPLY 2 EXPONENT $X_j + X_k + 60$



TJ		2D41	
JACK	PIN	LG	
1			
2			
3			
4	B32	18	13
5	D40	18	3
6	D40	26	3
7	D40	6	3
8	D39	12	5
9	D39	28	5
10	D39	4	5
11			
12	B32	13	13
13			
14			
15			
16			
17			
18			
19	B32	25	13
20			
21	D40	4	5
22	D40	28	5
23	D40	12	5
24	D40	8	5
25	D40	2	5
26	D40	1	5
27	B32	26	
28			

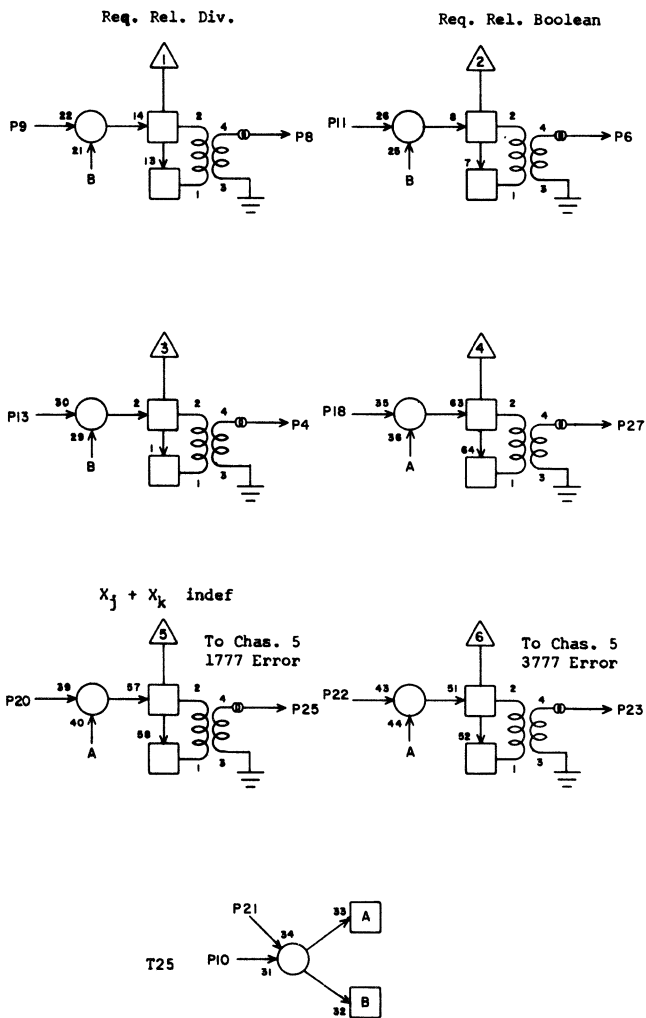
63019700 Rev. H



2D42

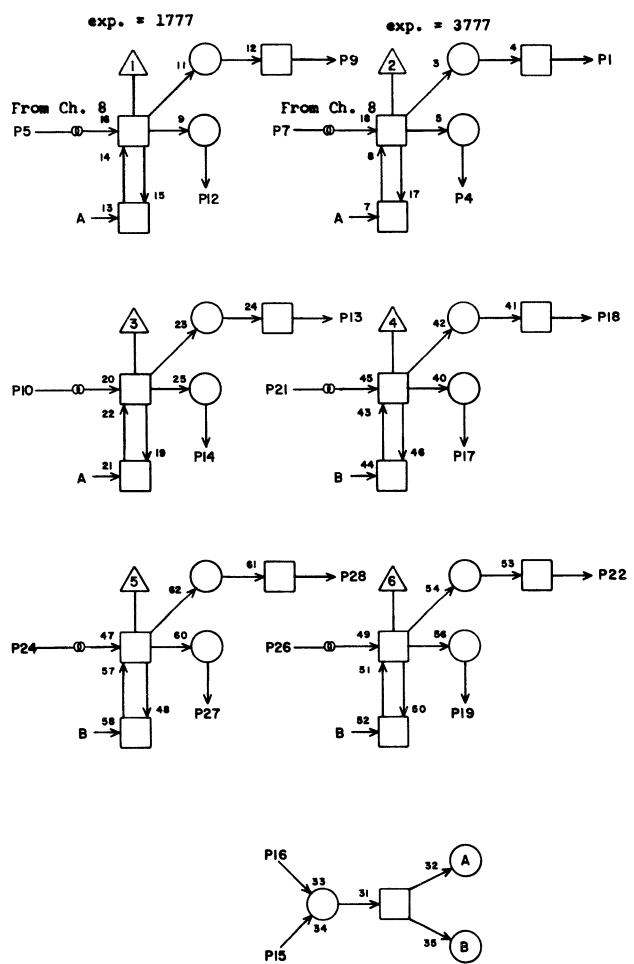
HQ		2D42	
JACK	PIN	LG	
1	F24	5	23
2	D42	15	35
3	F24	6	23
4			
5	A35	8	17
6			
7			
8			
9			
10			
11	E22	19	23
12			
13	G17	24	29
14			
15	D42	2	5
16	A40	4	17
17	B37	20	13
18			
19	E38	27	11
20	B37	10	11
21	H25	1	25
22	G37	21	17
23	H27	24	25
24	F24	23	23
25	D16	6	27
26			
27			
28	E22	4	23

63019700 Rev. Z



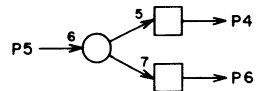
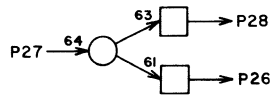
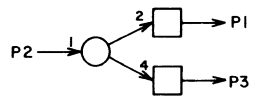
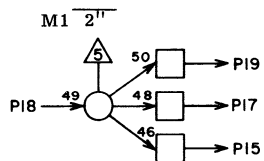
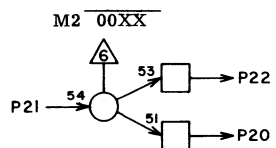
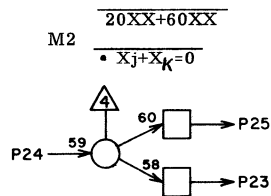
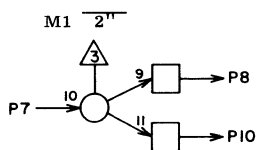
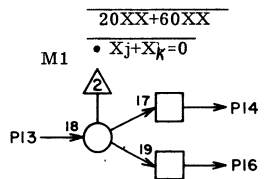
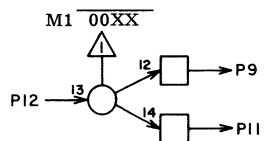
PL 2E01			
1			
2			
3			
4			
5			
6	W21	906	
7			
8	W21	905	
9	J22	11	29
10	I22	7	27
11	D27	3	27
12			
13			
14			
15			
16			
17			
18			
19			
20	B37	19	37
21			
22	B37	21	37
23	W14	906	
24			
25	W14	905	
26			
27			
28			

JACK PIN LG



PI 2E02			
1	B37	26	37
2			
3			
4			
5	W22	908	
6			
7	W23	908	
8			
9	B37	22	37
10			
11			
12			
13			
14			
15	C20	13	19
16			
17			
18			
19			
20			
21			
22			
23			
24			
25			
26			
27			
28			

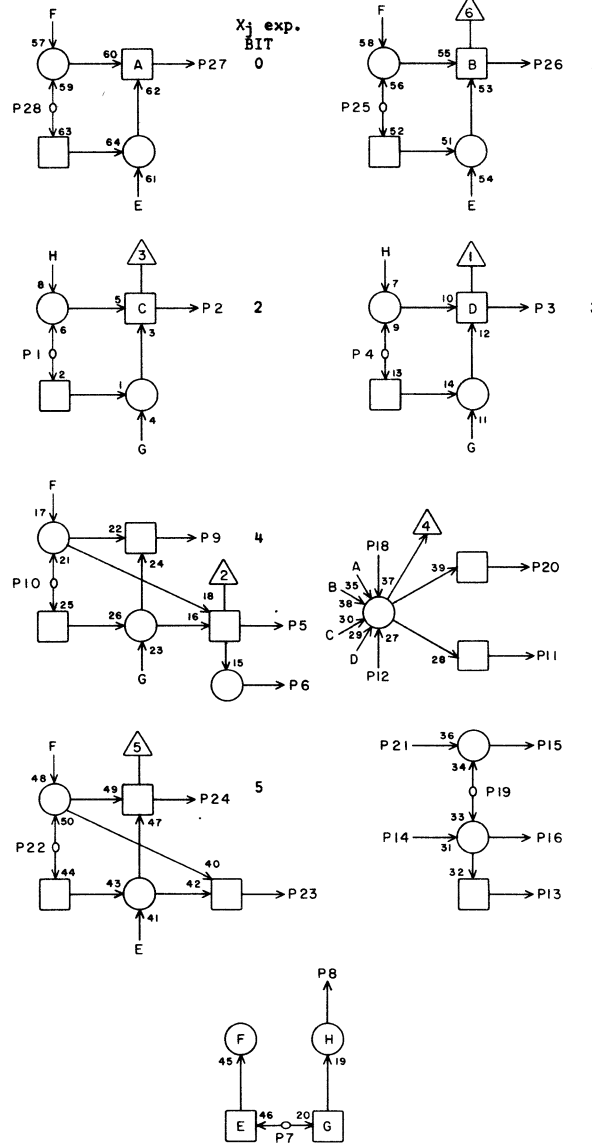
JACK PIN LG



1	D13	2	15
2	E22	15	23
3	D13	7	15
4	D10	20	15
5	A38	20	41
6	D13	6	15
7	B26	27	33
8	H37	25	37
9	D14	2	19
10	G42	26	25
11	H37	21	39
12	D15	13	19
13	D15	2	19
14	H37	23	39
15	H37	26	39
16	D14	4	19
17	C15	1	25
18	B28	27	33
19			
20	H37	22	39
21	D15	28	19
22	A37	21	37
23	H37	24	39
24	D15	15	19
25	A37	23	37
26			
27			
28			

JACK PIN LG

ERROR MODE TEST



KS 2E06

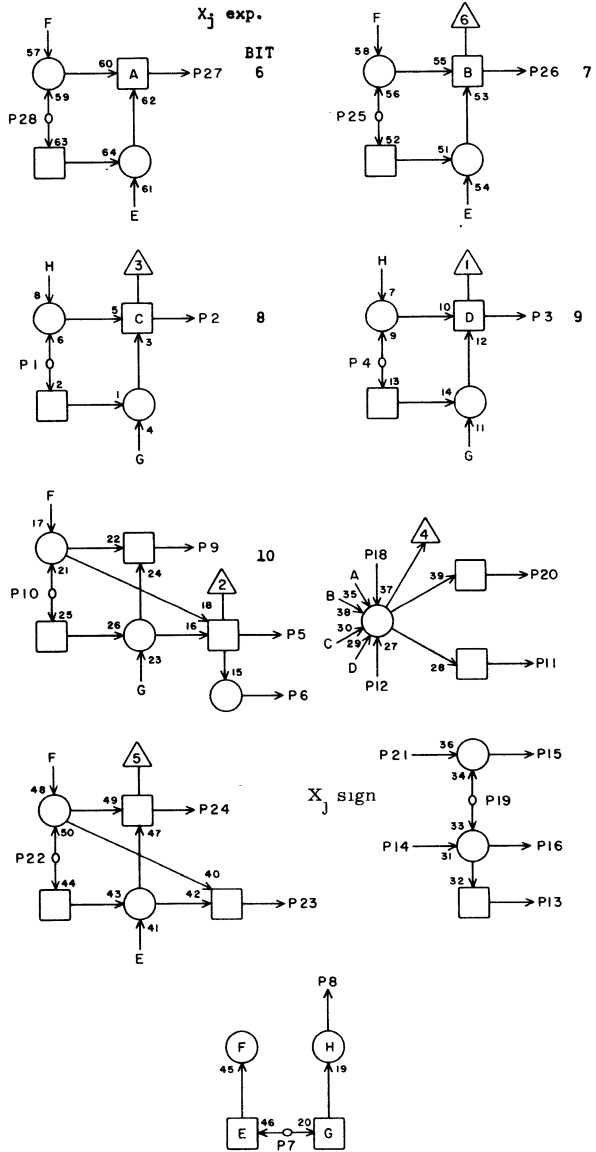
1	L08	24	120
2	E31	18	27
3	E31	17	27
4	L08	26	120
5			
6			
7	E06	15	3
8			
9	E32	14	27
10	L09	20	120
11			
12			
13			
14			
15	E06	7	3
16			
17			
18			
19	L10	10	27
20			
21	G15	2	15
22	L09	22	120
23			
24	E32	13	27
25	L08	22	120
26	E31	13	25
27	E31	14	25
28	L08	20	120

JACK PIN LG

2E06

63019700 Rev. H

ERROR MODE TEST

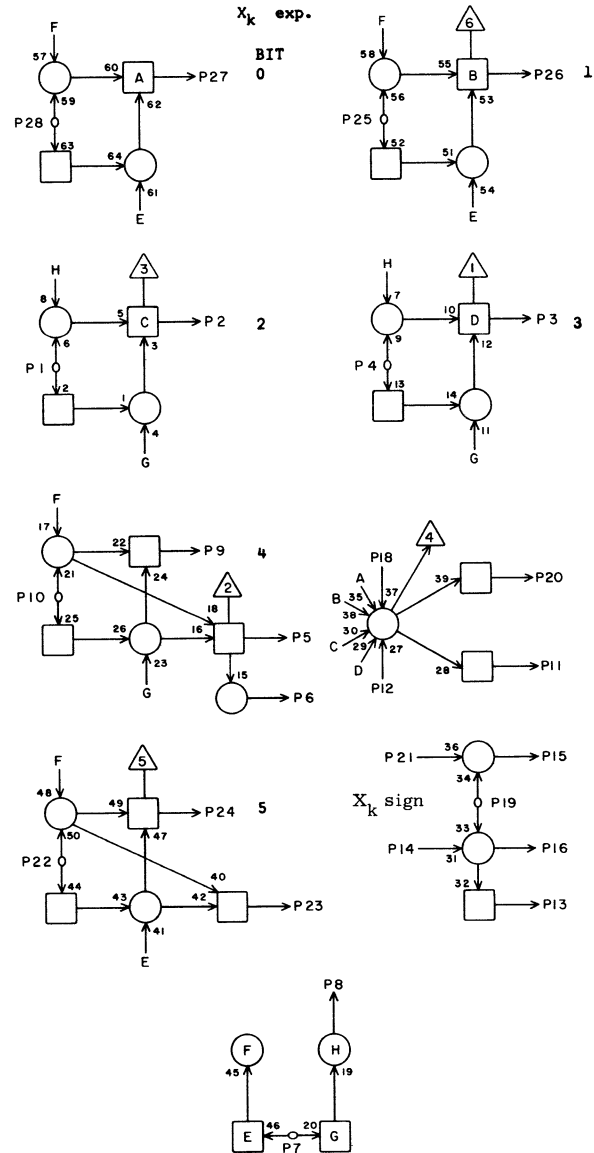


KS 2E07

1	L10	20	120
2	E33	14	27
3	E33	13	27
4	L10	22	120
5			
6			
7	E07	15	3
8			
9	E33	18	27
10	L10	24	120
11			
12			
13	E33	17	120
14			
15	E07	7	3
16			
17			
18			
19	L10	7	27
20			
21	G15	12	15
22			
23			
24			
25	L09	26	120
26	E32	17	25
27	E32	18	25
28	L09	24	120
	JACK	PIN	LG

63019700 Rev. H

ERROR MODE TEST

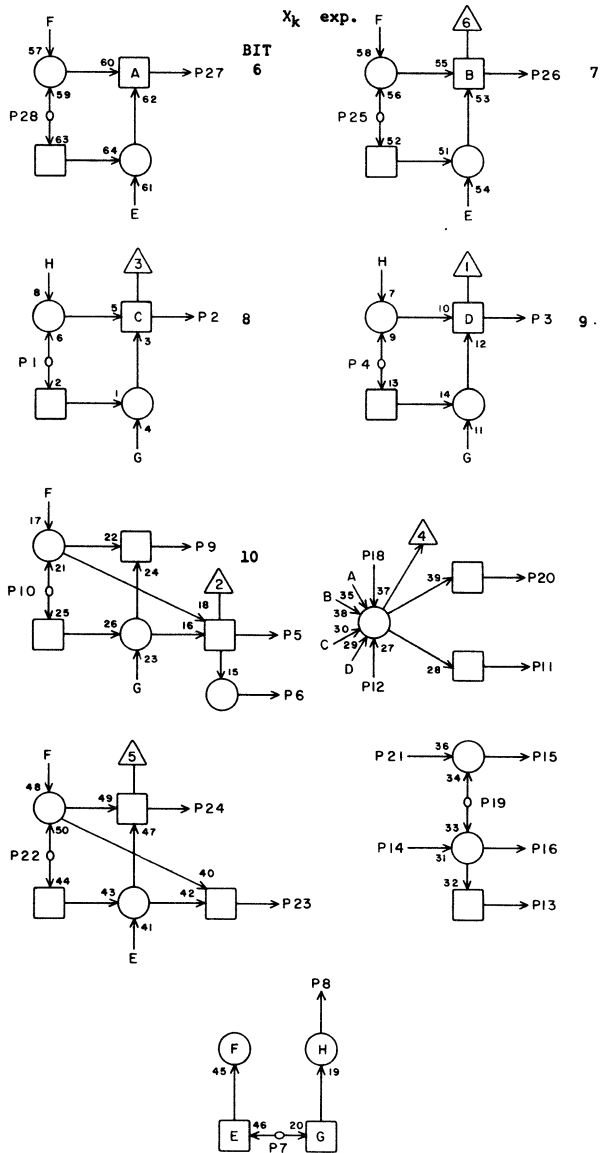


KS 2E08

1	M08	24	120
2	E34	18	27
3	E34	17	27
4	M08	26	120
5			
6			
7	E08	15	3
8			
9	E35	14	27
10	M09	20	120
11			
12			
13			
14			
15	E08	7	3
16			
17			
18			
19	M10	10	31
20			
21	G15	10	13
22	M09	22	120
23			
24	E35	13	27
25	M08	22	120
26	E34	13	25
27	E34	14	25
28	M08	20	120
	JACK	PIN	LG

63019700 Rev. H

ERROR MODE TEST



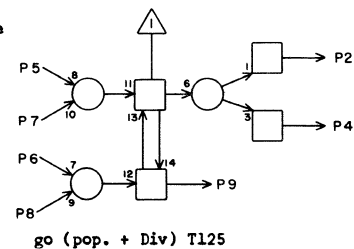
KS 2E09

1	M10	20	120
2	E36	14	27
3	E36	13	27
4	M10	22	120
5			
6			
7	E09	15	3
8			
9	E36	18	27
10	M10	24	120
11			
12			
13	E36	17	120
14			
15	E09	7	3
16			
17			
18			
19	M10	7	31
20			
21	G15	4	25
22			
23			
24			
25	M09	26	120
26	E35	17	25
27	E35	18	25
28	M09	24	120
	JACK	PIN	LG

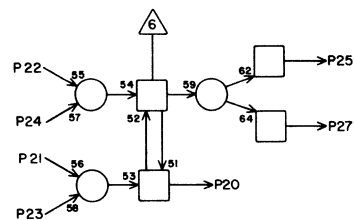
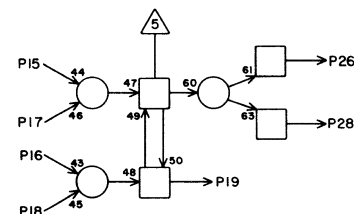
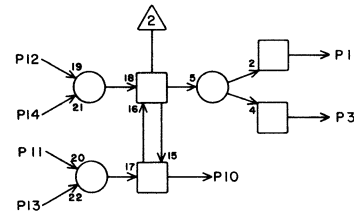
AA 2E10

Div. Time
2750

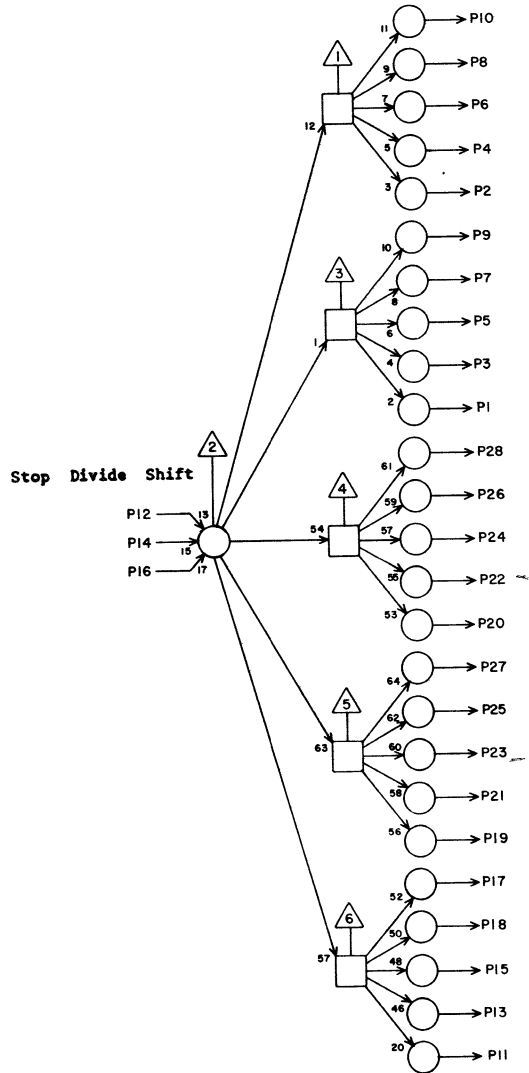
T75



go (pop. + Div) T125



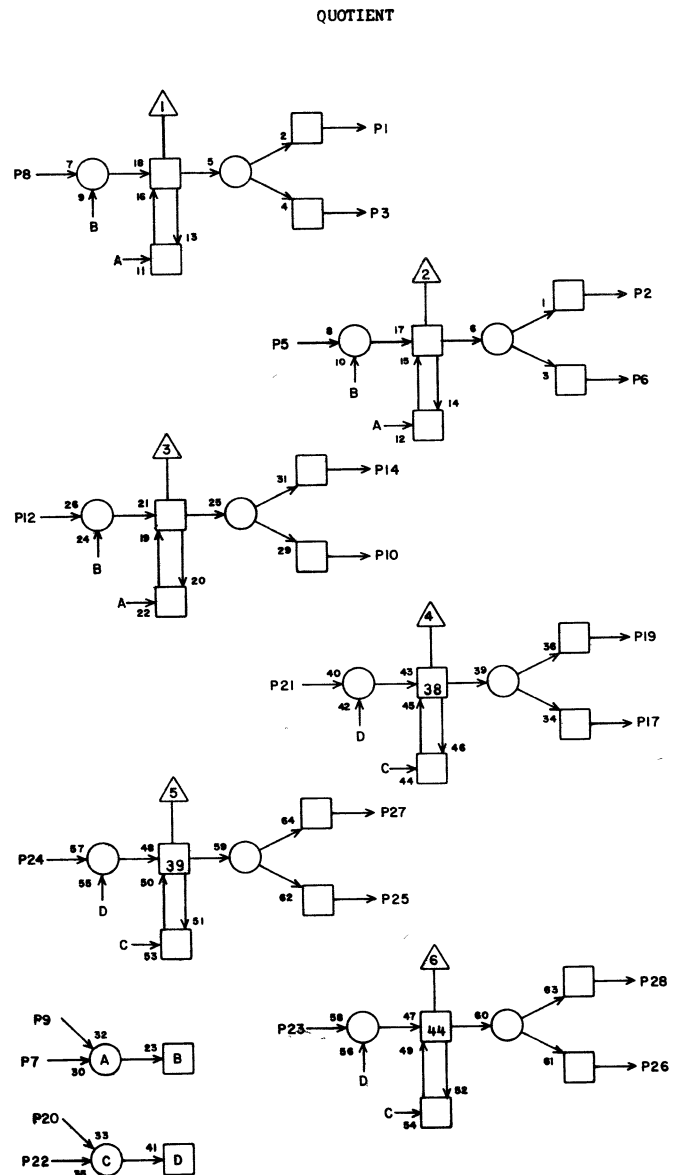
1			
2	E11	12	5
3			
4	H25	28	23
5	D26	28	19
6	Grd		2
7	J24	9	25
8	M11	7	35
9			
10			
11			
12			
13			
14			
15			
16			
17			
18			
19			
20			
21			
22			
23			
24			
25			
26			
27			
28			
	JACK	PIN	LG



CA		2E11	
1	I13	9	19
2	I13	22	19
3	I14	9	19
4	I14	22	19
5	I15	9	19
6	I15	22	19
7	I16	9	19
8	I16	22	21
9	I17	9	19
10	I17	22	21
11	I18	9	19
12	E10	2	5
13	I18	22	21
14		Grd	2
15	I19	9	19
16		Grd	2
17	I19	22	21
18	I20	9	21
19	I20	22	21
20	E12	9	5
21	E12	22	3
22	E13	9	5
23	E13	22	5
24	E14	9	7
25	E14	22	5
26	E15	9	7
27	E15	22	7
28			

JACK PIN LG

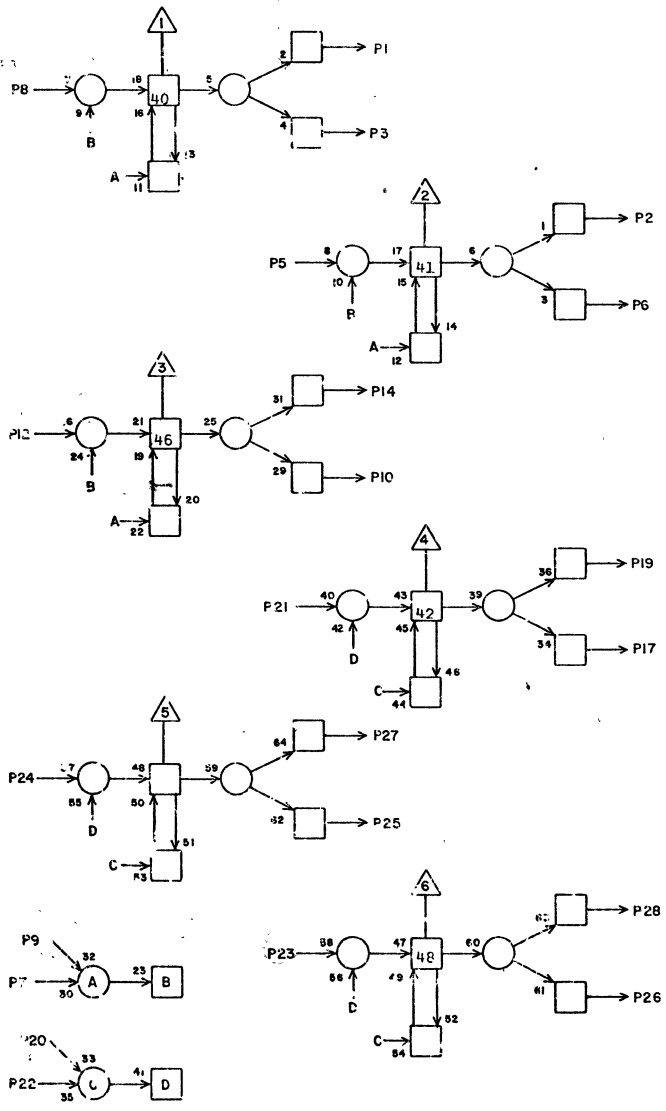
63019700 Rev. N



PA		2E12	
1	E12	21	5
2	E12	24	5
3			
4			
5	I20	26	21
6			
7	E16	14	7
8	I20	25	21
9	E11	20	5
10	E12	23	5
11			
12	E13	17	5
13			
14			
15			
16			
17	E13	8	5
18			
19	J20	28	25
20	E16	13	7
21	E12	1	5
22	E11	21	3
23	E12	10	3
24	E12	2	5
25	E13	5	5
26	E13	12	5
27	J20	27	25
28	J21	23	25

JACK PIN LG

63019700 Rev. H

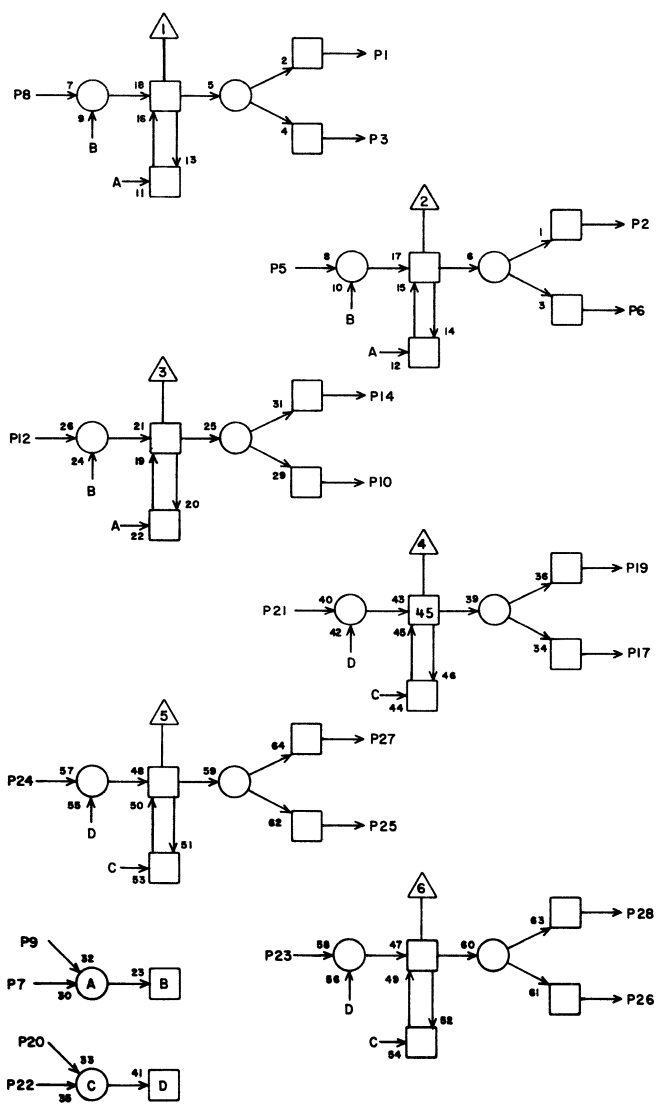


PA 2E13

1	E13	21	5
2	E13	24	5
3	J21	1	23
4			
5	E12	25	5
6	J21	2	23
7	E16	24	5
8	E12	17	5
9	E11	22	5
10	E13	23	5
11			
12	E12	26	5
13			
14	J21	28	25
15			
16			
17	E12	12	5
18			
19	J21	3	23
20	E16	23	5
21	E13	1	5
22	E11	23	5
23	E13	10	5
24	E13	2	5
25	E14	8	5
26	H24	27	19
27	J21	5	23
28	H27	21	19

JACK PIN LG

63019700 Rev. H



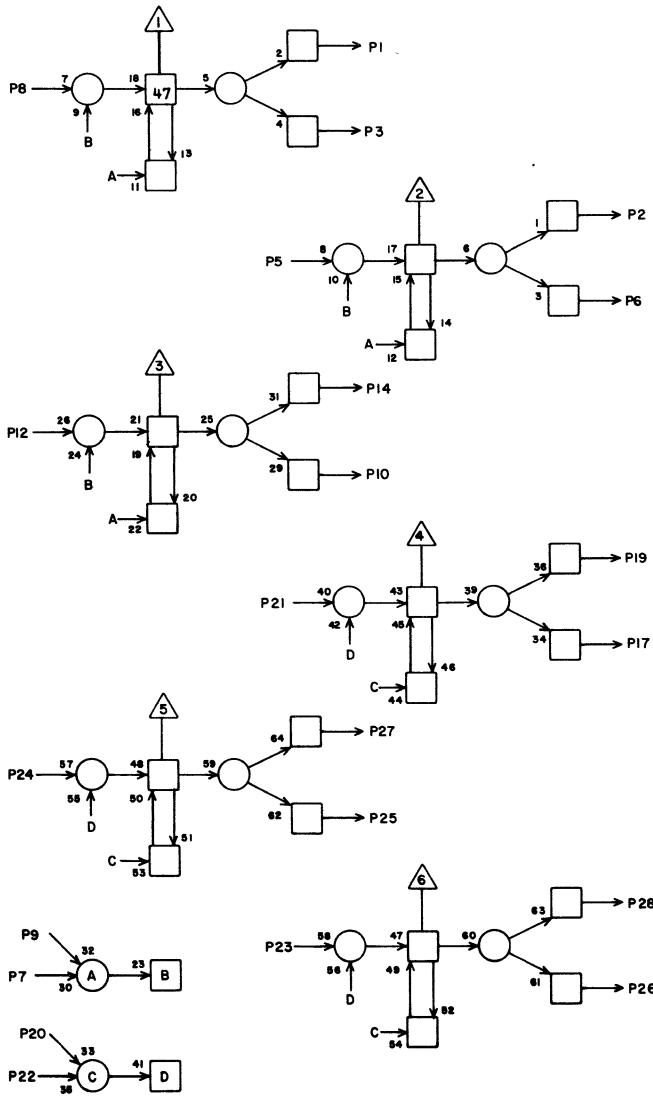
PA 2E14

1	E14	21	5
2			
3			
4			
5			
6			
7	J24	4	120
8	E13	25	5
9	E11	24	7
10			
11			
12			
13			
14			
15			
16			
17	E15	8	5
18			
19	J21	25	25
20	J25	17	120
21	E14	1	5
22	E11	25	5
23			
24			
25			
26			
27			
28			

JACK PIN LG

63019700 Rev. H

2E14

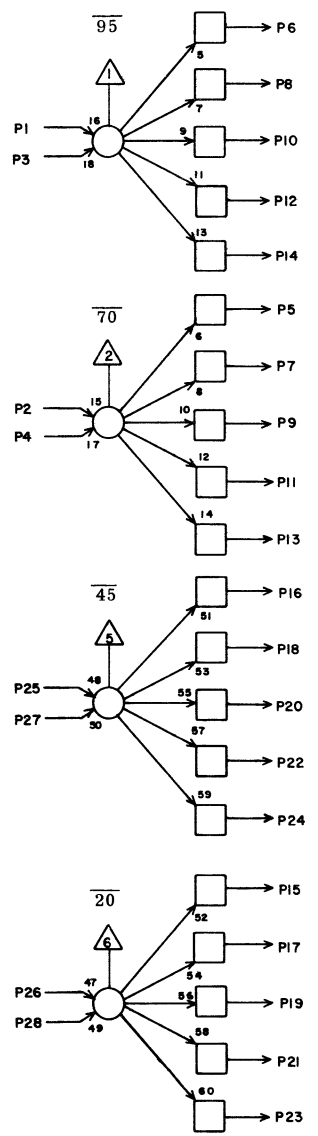


PA **2E15**

	JACK	PIN	LG
1	E15	21	5
2			
3	J21	27	25
4			
5			
6			
7	J25	9	120
8	E14	17	5
9	E11	26	7
10			
11			
12			
13			
14			
15			
16			
17			
18			
19	H37	17	29
20	J24	27	60
21	E15	1	5
22	E11	27	7
23			
24			
25			
26			
27			
28			

63019700 Rev. N

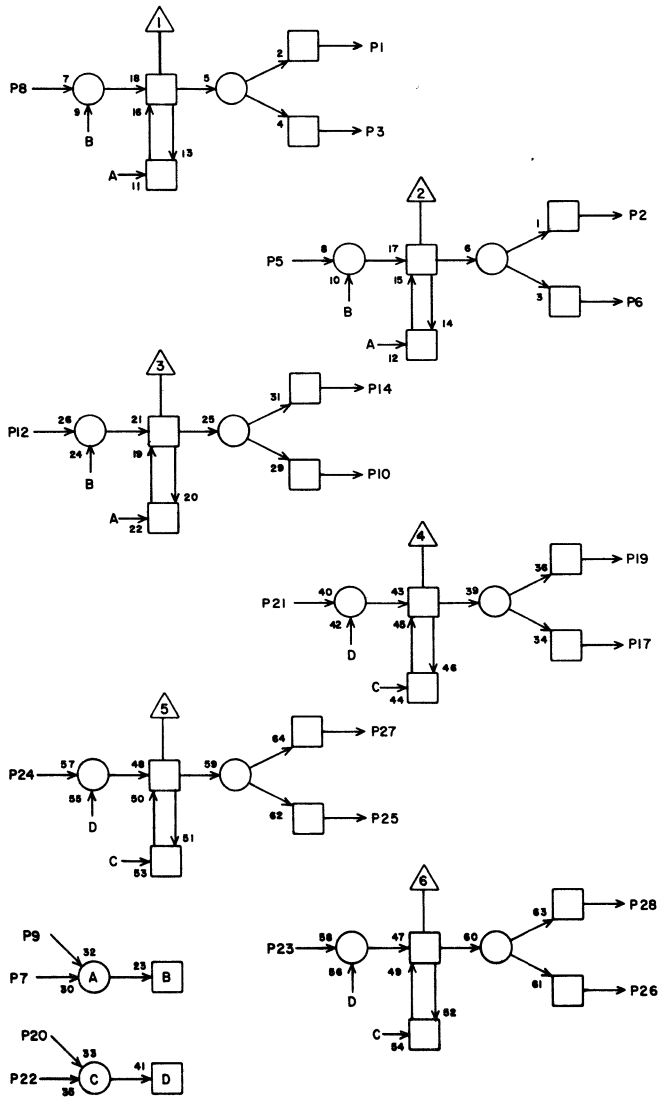
CLOCK FANOUTS



T D **2E16**

	JACK	PIN	LG
1	I23	19	21
2	I23	22	21
3			
4			
5	I13	20	21
6	I13	7	19
7	I15	20	21
8	I15	7	19
9	I17	20	19
10	I17	7	19
11	I19	20	19
12	I19	7	19
13	E12	20	7
14	E12	7	7
15	I14	20	19
16	I14	7	19
17	I16	20	19
18	I16	7	19
19	I18	20	19
20	I18	7	19
21	I20	20	19
22	I20	7	19
23	E13	20	5
24	E13	7	5
25	I23	7	19
26	I23	14	19
27			
28			

63019700 Rev. H



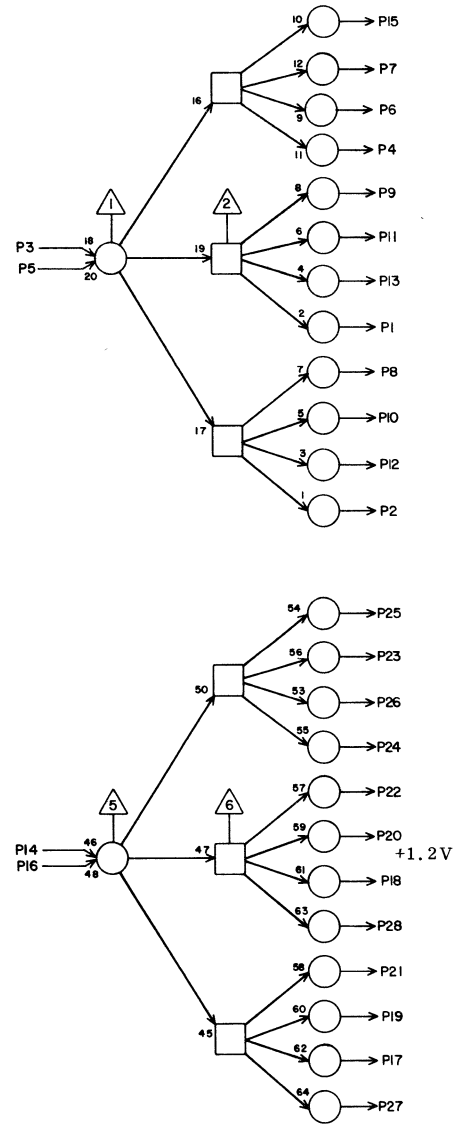
PA **2E17***

1	E17	21	7
2	E17	24	7
3	G42	28	47
4			
5	J32	25	25
6	C15	3	11
7			
8	J32	17	25
9	I23	8	19
10			
11			
12			
13			
14			
15			
16			
17	D14	6	9
18			
19	B35	2	23
20	I23	23	21
21	E17	1	7
22			
23			
24	E17	2	7
25	B35	26	23
26			
27	A37	25	39
28			

JACK PIN LG

63019700 Rev. Z

T175
Go Mult.
1 & 2



2E18

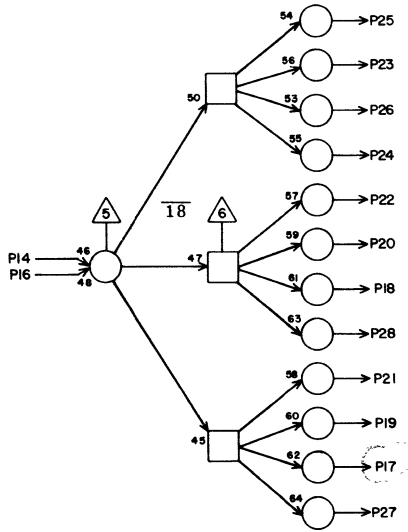
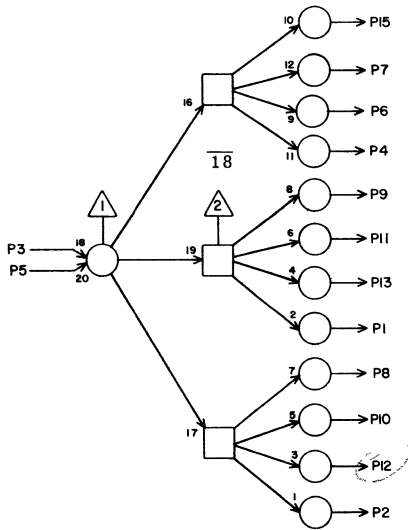
TC **2E18**

1			
2			
3	J22	20	23
4	E34	16	19
5	E22	9	7
6	E33	16	17
7	E32	16	15
8			
9	E35	16	19
10			
11	E36	16	19
12			
13			
14	E18	Grd	2
15	E31	16	15
16	E18	Grd	2
17			
18			
19	A32	25	23
20			
21	A32	10	23
22			
23	D10	25	11
24			
25	D10	17	11
26			
27			
28			

JACK PIN LG

63019700 Rev. Z

CLOCK FANOUTS



TC

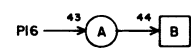
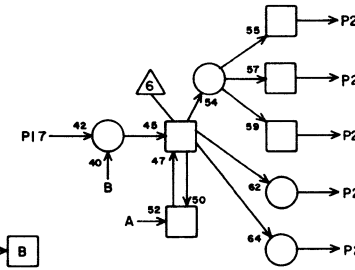
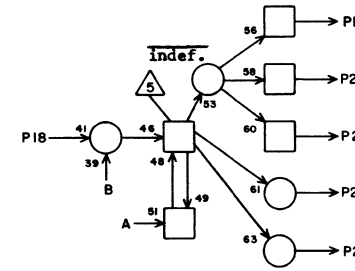
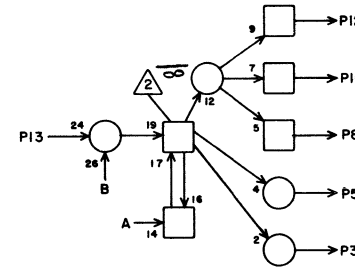
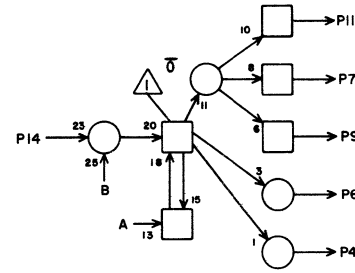
2E19

1	F08	14	15
2	F12	14	13
3	G17	21	13
4	F04	14	17
5			
6	F03	14	19
7	F02	14	19
8	F09	14	15
9	F05	14	17
10	F10	14	13
11	F06	14	17
12	F11	14	13
13	F07	14	15
14	G17	22	13
15	F01	14	21
16			
17	F11	19	13
18	F07	19	15
19	F10	19	13
20	F06	19	15
21	F09	19	13
22	F05	19	17
23	F02	19	19
24	F04	19	17
25	F01	19	19
26	F03	19	17
27	F12	19	11
28	F08	19	13

JACK PIN LG

63019700 Rev.H

ERROR MODES,
MULT. 1



PD

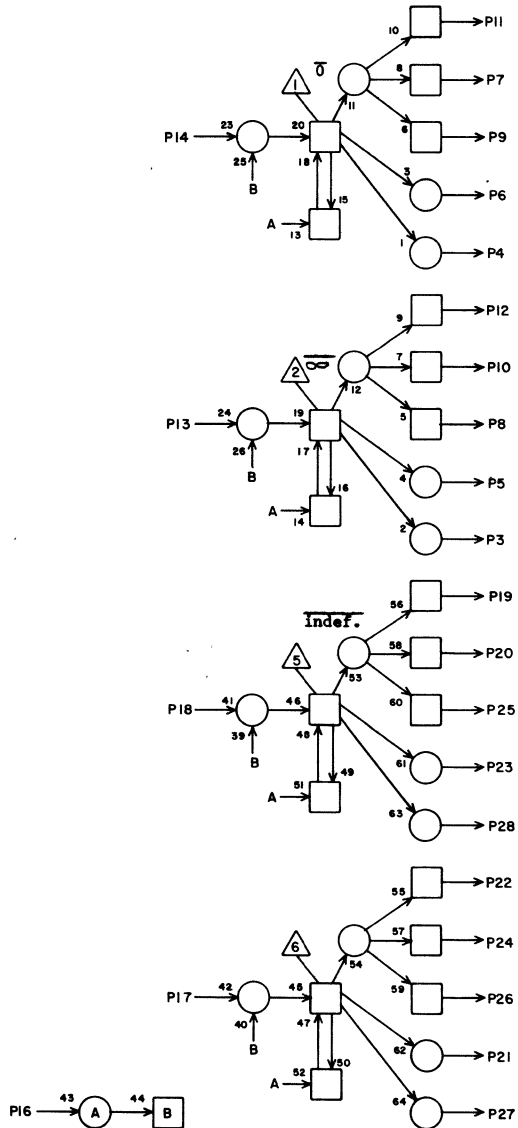
2E20

1			
2			
3			
4			
5			
6			
7	H42	24	27
8			
9			
10	H42	22	27
11	G42	1	25
12	B36	25	23
13	D19	23	7
14	D19	5	9
15			
16	D10	16	13
17	C15	18	13
18	B36	15	23
19	B36	23	23
20	B35	3	23
21			
22	H37	27	23
23	G36	1	19
24			
25	J42	3	29
26			
27			
28	A32	6	23

JACK PIN LG

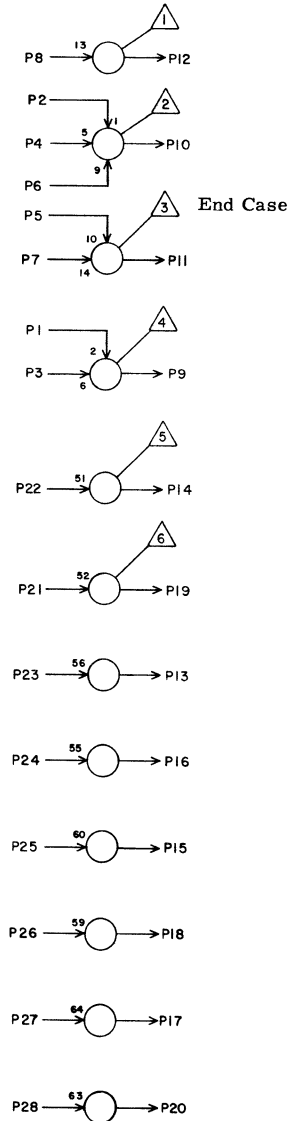
63019700 Rev. AF

ERROR MODES,
MULT. 2



PD			
2E21			
JACK	PIN	LG	
1			
2			
3			
4			
5			
6			
7	A37	27	23
8			
9			
10	A37	26	23
11	G42	25	25
12	D16	25	9
13	D19	19	7
14	D19	9	9
15			
16	D10	28	13
17	C15	20	13
18	C15	16	13
19	D16	23	9
20	B35	27	23
21			
22	H37	28	21
23	A35	24	23
24			
25	J42	4	27
26			
27			
28	A32	22	23

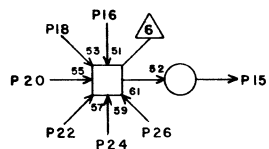
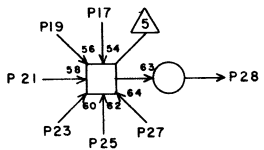
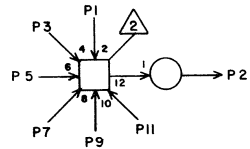
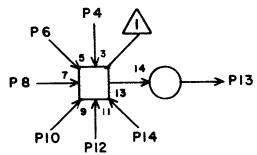
63019700 Rev. AF



2E22

TL			
2E22			
JACK	PIN	LG	
1	A36	13	23
2	J23	16	23
3	J24	12	156
4	D42	28	23
5	E23	13	5
6	B36	19	23
7	E23	2	3
8	D36	14	17
9	E18	5	7
10	B36	24	23
11	E22	25	5
12	D33	21	15
13	E23	1	5
14	D37	21	19
15	E03	2	23
16	H42	28	25
17	Q12	18	49
18	Q11	15	49
19	D42	11	23
20	D13	4	13
21	D13	10	15
22	D40	14	21
23	E27	11	9
24	D14	10	17
25	E22	11	5
26	A36	9	23
27	A36	18	23
28	E27	14	13

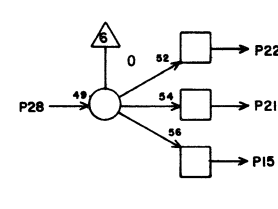
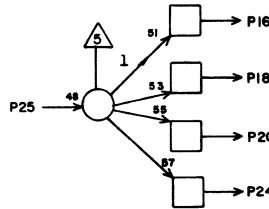
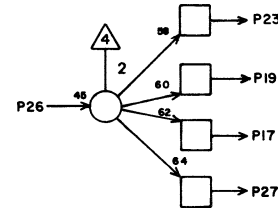
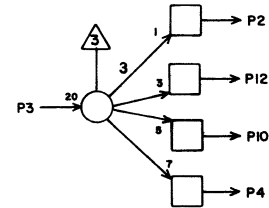
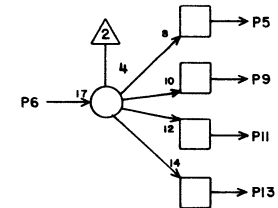
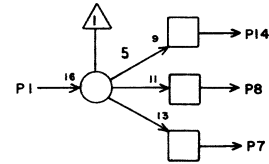
63019700 Rev. AD



IP		2E23	
JACK	PIN	PIN	LG
1	E22	13	5
2	E22	7	3
3	E27	12	7
4	E24	8	6
5	E27	19	7
6	E24	9	5
7	E27	18	7
8	E24	12	6
9	E27	21	7
10	E24	19	5
11			
12	E24	18	5
13	E22	5	5
14	E24	21	5
15	H42	212	23
16	E27	15	7
17	G36	13	17
18	E27	20	7
19	E24	20	3
20	E27	17	7
21	E24	17	5
22	E27	10	7
23	E24	10	5
24	D19	12	11
25	E24	11	5
26			
27	E24	7	5
28	H42	210	23

63019700 Rev. AD

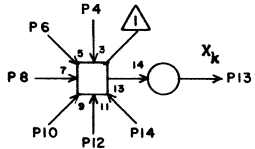
DIVIDE EXP.



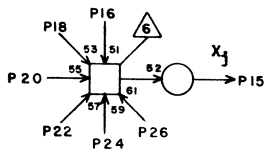
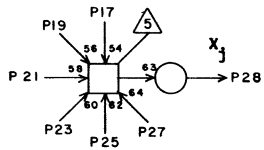
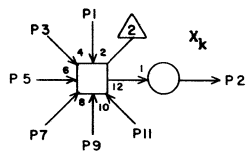
TH		2E24	
JACK	PIN	PIN	LG
1	C36	4	17
2	F25	21	9
3	C35	19	17
4			
5	F26	10	9
6	C36	12	17
7	E23	27	5
8	E23	4	5
9	E23	6	5
10	E23	23	5
11	E23	25	5
12	E23	8	5
13			
14	F26	7	9
15	G36	23	17
16	F25	7	9
17	E23	21	5
18	E23	12	5
19	E23	10	5
20	E23	19	3
21	E23	14	5
22	F25	10	9
23	F25	24	9
24			
25	C35	4	17
26	C35	27	17
27			
28	C35	12	17

63019700 Rev. H

ERROR MODE TEST



Indefinite
Operands



IP 2E25

1	E35	20	13
2	B39	22	19
3	E35	24	13
4	E35	12	13
5	E36	11	13
6	E35	11	13
7	E36	12	13
8	E34	24	13
9	E36	19	17
10	E34	20	13
11			
12	E34	12	13
13	B39	24	19
14	E34	11	13
15	B39	12	19
16	E31	11	9
17	E32	20	11
18	E31	12	9
19	E32	24	11
20	E31	20	9
21	E33	11	11
22	E31	24	9
23	E33	12	11
24	E32	11	11
25	E33	28	11
26	E32	12	11
27			
28	B39	10	21

JACK PIN LG

63019700 Rev. H

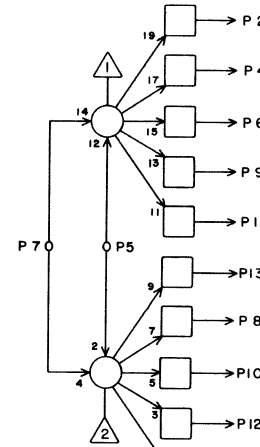
HC 2E26

1			
2	E37	16	13
3			
4	E38	16	13
5	D28	11	7
6	E39	16	17
7	D28	13	7
8			
9	E40	16	17
10			
11	E41	16	17
12			
13	E42	16	17
14			
15			
16	E37	15	13
17	E41	15	17
18	E38	15	13
19	E42	15	19
20	E39	15	17
21			
22	E40	15	17
23	I23	11	19
24			
25		Grd	2
26			
27			
28			

JACK PIN LG

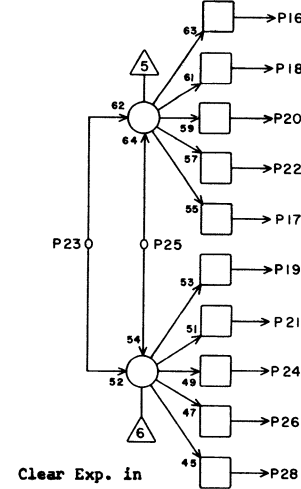
63019700 Rev. H

MULT. 2



Comp Exp. in

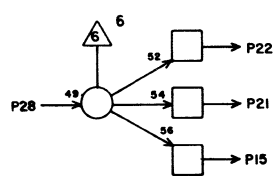
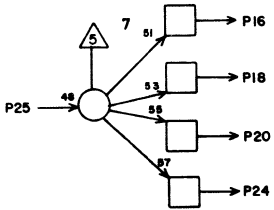
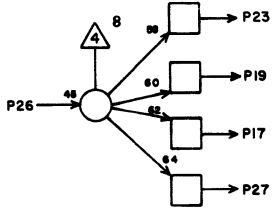
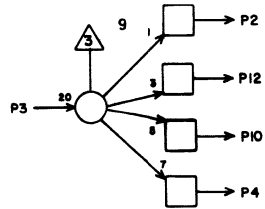
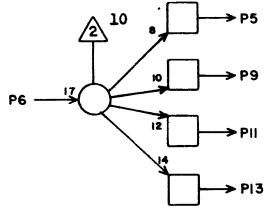
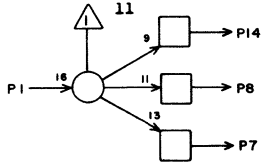
T43



Clear Exp. in

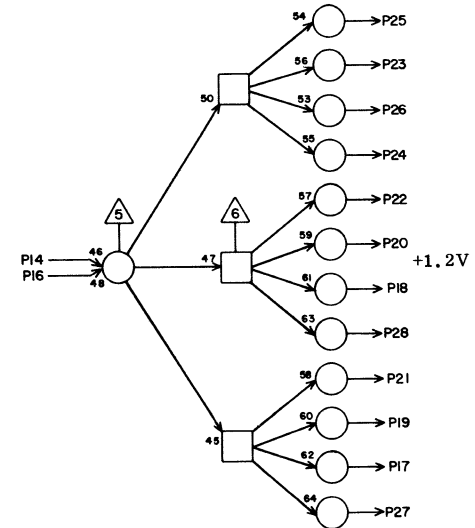
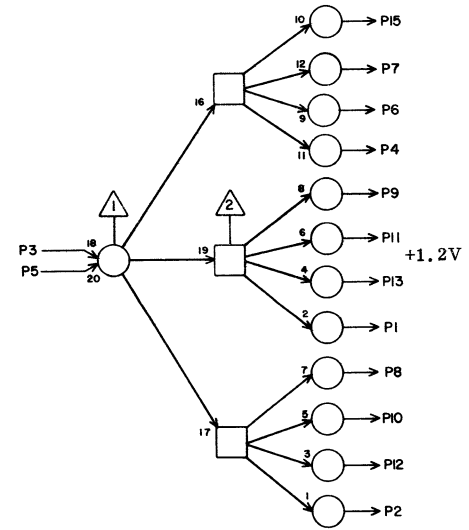
2E26

DIVIDE EXP.



TH 2E27			
JACK	PIN	LG	
1	C37	19	17
2	F27	7	9
3	C37	4	17
4			
5	F27	24	9
6	C37	27	15
7	D13	5	21
8	D12	11	17
9			
10	E23	22	7
11	E22	23	9
12	E23	3	7
13	D12	13	17
14	E22	28	13
15	E23	16	7
16	F26	21	7
17	E23	20	7
18	E23	7	7
19	E23	5	7
20	E23	18	7
21	E23	9	7
22	F26	24	9
23	F27	10	9
24			
25	C36	19	17
26	C37	12	17
27			
28	C36	27	17

63019700 Rev. Z



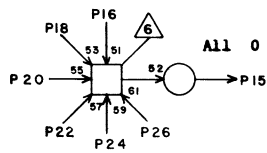
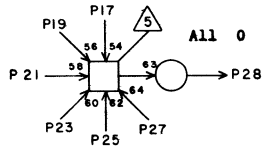
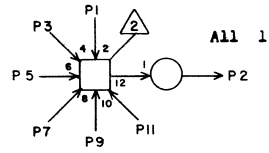
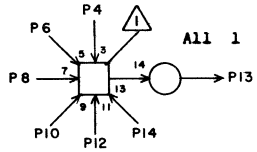
TC 2E28

JACK	PIN	LG	
1	E38	14	11
2	E42	14	17
3		Grd	2
4	E40	18	13
5		Grd	2
6	E39	18	13
7	E38	18	11
8	E39	14	13
9	E41	18	13
10	E40	14	13
11	E42	18	15
12	E41	14	15
13	E37	14	11
14		Grd	2
15	E37	18	11
16		Grd	2
17	B37	27	17
18	B37	16	19
19	D10	22	23
20	E42	13	17
21	B37	1	19
22	E41	13	17
23	E38	13	15
24	E40	13	15
25	E37	13	11
26	E39	13	15
27	A41	20	25
28	B37	2	19

63019700 Rev. Z

ERROR MODE TEST

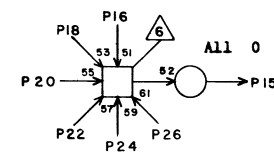
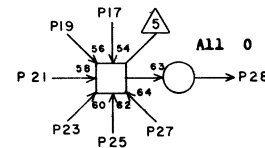
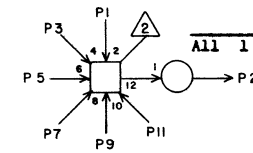
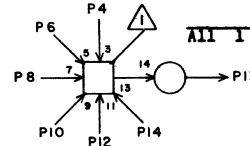
X_j



IP			
2E29			
1	E32	19	7
2	B39	3	19
3	E32	22	7
4	E31	7	7
5	E33	7	7
6	E31	8	7
7	E33	8	7
8	E31	19	7
9	E33	19	7
10	E31	22	7
11			
12	E32	7	7
13	B39	5	19
14	E32	8	9
15	B39	6	19
16	E32	23	7
17	E31	4	15
18	E32	21	7
19	E31	3	7
20	E33	4	7
21	E31	23	7
22	E33	3	7
23	E31	21	7
24	E33	23	9
25	E32	4	7
26			
27	E32	3	7
28	B39	4	21
	JACK	PIN	LG

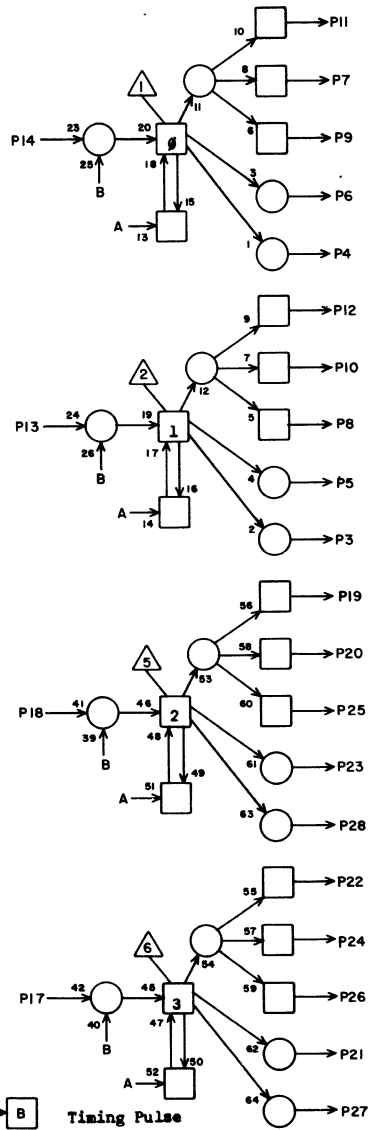
ERROR MODE TEST

X_k



IP			
2E30			
1	E35	19	9
2	B39	15	19
3	E35	32	9
4	E34	7	9
5	E36	7	9
6	E34	8	7
7	E36	8	9
8	E34	19	7
9	E36	19	7
10	E34	22	7
11			
12	E35	7	7
13	B39	17	17
14	E35	8	7
15	B39	23	17
16	E35	23	7
17	E34	4	7
18	E35	21	7
19	E34	3	7
20	E36	4	7
21	E34	23	7
22	E36	3	11
23	E34	21	7
24	E36	23	11
25	E35	4	7
26			
27	E35	3	9
28	B39	21	17
	JACK	PIN	LG

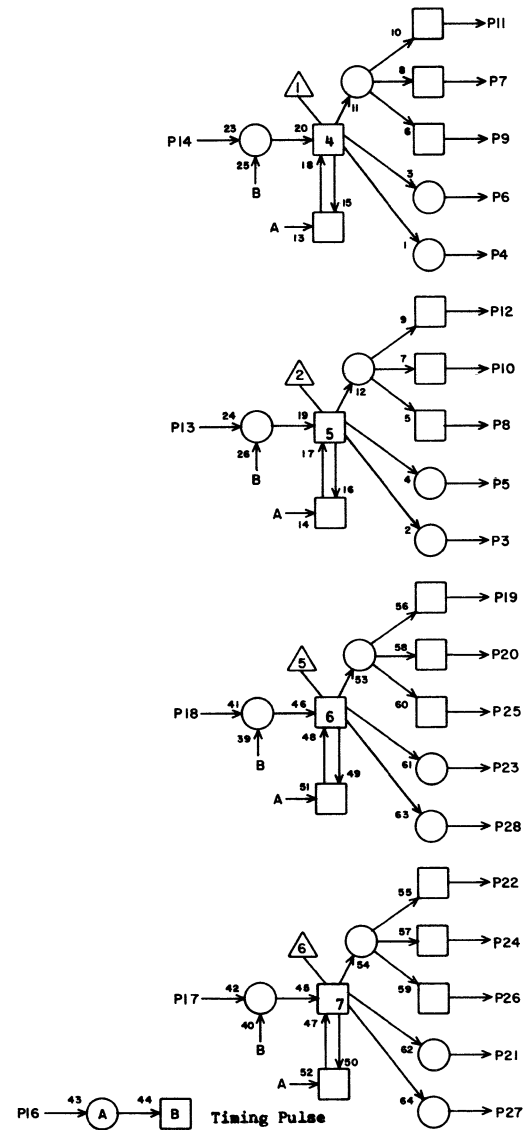
X_j FEEDER REGISTER, EXPONENT;
ERROR MODE TEST



PD	2E31		
1			
2			
3	E29	19	7
4	E29	17	15
5			
6			
7	E29	4	7
8	E29	6	7
9			
10			
11	E25	16	9
12	E25	18	9
13	E06	26	25
14	E06	27	25
15			
16	E18	15	15
17	E06	3	27
18	E06	2	27
19	E29	8	7
20	E25	20	9
21	E29	23	7
22	E29	10	7
23	E29	21	7
24	E25	22	9
25			
26			
27			
28			

JACK PIN LG
63019700 Rev. H

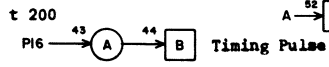
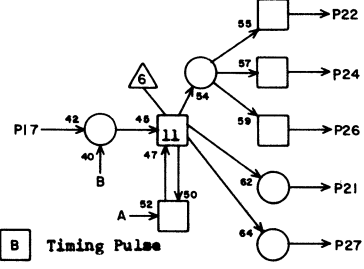
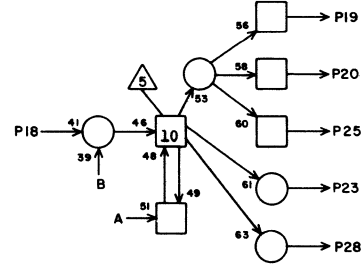
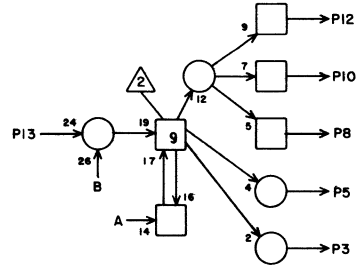
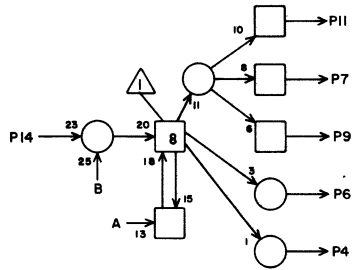
X_j FEEDER REGISTER, EXPONENT;
ERROR MODE TEST



PD	2E32		
1			
2			
3	E29	27	7
4	E29	25	7
5			
6			
7	E29	12	7
8	E29	14	9
9			
10			
11	E25	24	11
12	E25	26	11
13	E06	24	27
14	E06	9	27
15			
16	E18	7	15
17	E07	26	25
18	E07	27	25
19	E29	1	7
20	E25	17	11
21	E29	18	7
22	E29	3	7
23	E29	16	7
24	E25	19	11
25			
26			
27			
28			

JACK PIN LG
63019700 Rev. H

X_j FEEDER REGISTER, EXPONENT;
ERROR MODE TEST



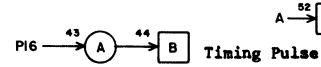
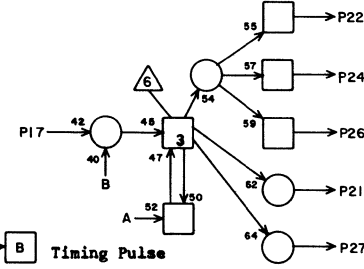
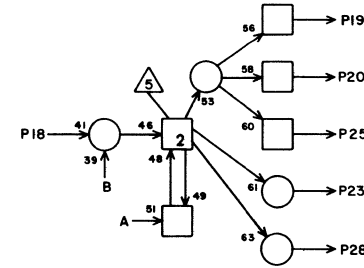
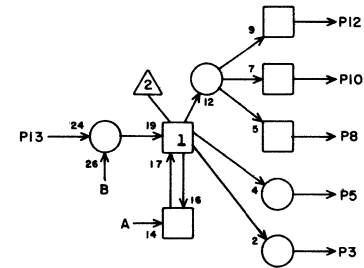
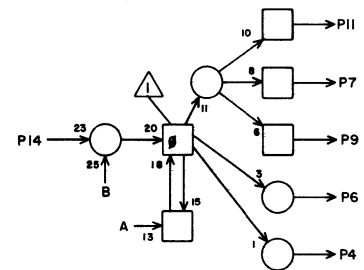
PD

2E33

1			
2			
3	E29	22	7
4	E29	20	7
5			
6			
7	E29	5	7
8	E29	7	7
9			
10			
11	E25	21	11
12	E25	23	11
13	E07	3	27
14	E07	2	27
15			
16	E18	6	17
17	E07	13	120
18	E07	9	27
19	E29	9	7
20			
21			
22			
23	E29	24	9
24			
25			
26	G31	5	11
27			
28	E25	25	11

JACK PIN LG
63019700 Rev.H

X_k FEEDER REGISTER, EXPONENT;
ERROR MODE TEST



PD

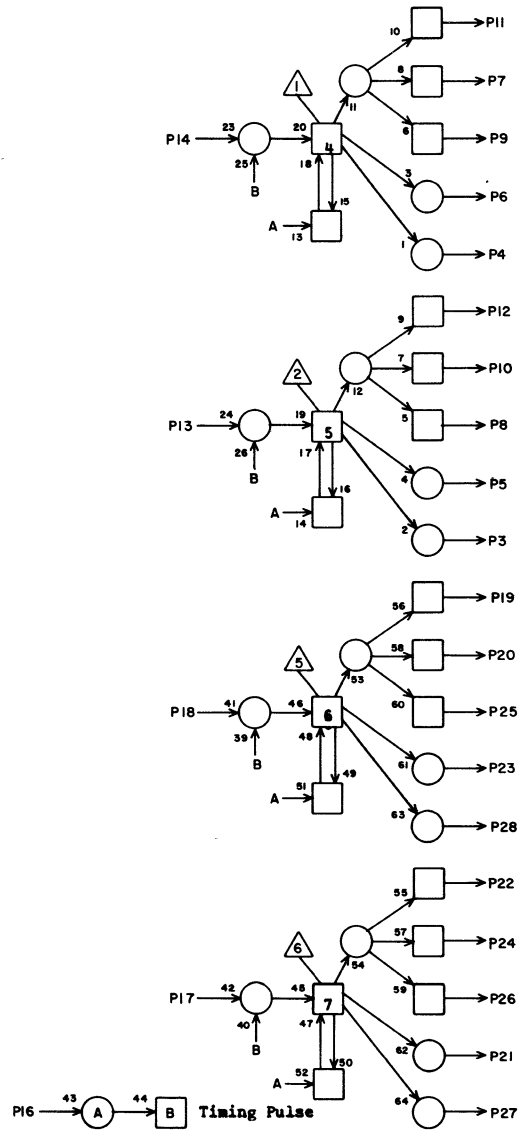
2E34

1			
2			
3	E30	19	7
4	E30	17	7
5	H13	25	27
6	H13	28	27
7	E30	4	9
8	E30	6	7
9			
10			
11	E25	14	13
12	E25	12	13
13	E08	26	25
14	E08	27	23
15			
16	E18	4	19
17	E08	3	27
18	E08	2	27
19	E30	8	7
20	E25	10	13
21	E30	23	7
22	E30	10	7
23	E30	21	7
24	E25	8	13
25			
26			
27	H13	3	25
28	H13	6	25

JACK PIN LG
63019700 Rev.H

2E34

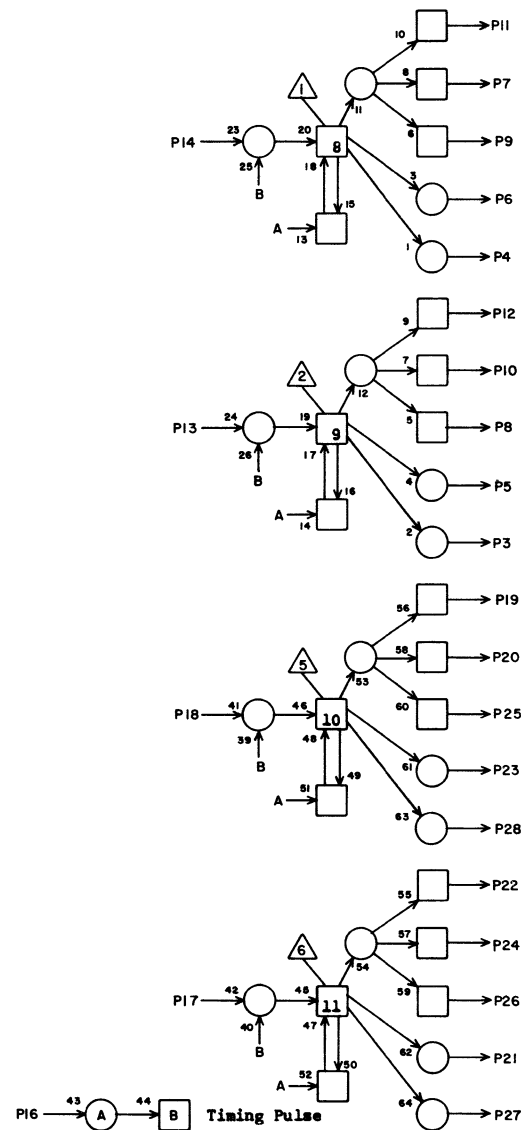
X_k FEEDER REGISTER, EXPONENT;
ERROR MODE TEST



PD	2E35		
1			
2			
3	E30	27	9
4	E30	25	7
5	H14	25	27
6	H14	28	27
7	E30	12	7
8	E30	14	7
9			
10			
11	E25	6	13
12	E25	4	13
13	E08	24	27
14	E08	9	27
15			
16	E18	9	19
17	E09	26	25
18	E09	27	25
19	E30	1	9
20	E25	1	13
21	E30	18	7
22	E30	3	9
23	E30	16	7
24	E25	3	13
25			
26			
27	H14	3	25
28	H14	6	25
	JACK	PIN	LG

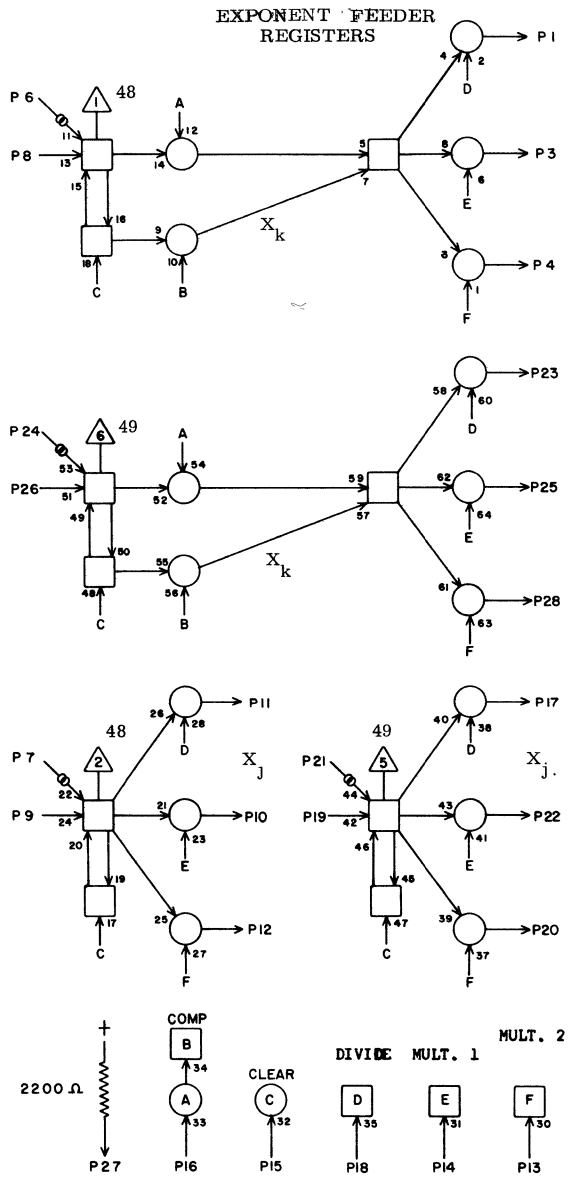
63019700 Rev. H

X_k FEEDER REGISTER, EXPONENT;
ERROR MODE TEST



PD	2E36		
1			
2			
3	E30	22	11
4	E30	20	7
5	H15	25	27
6	H15	28	27
7	E30	5	9
8	E30	7	9
9			
10			
11	E25	5	13
12	E25	7	13
13	E09	8	27
14	E09	2	27
15			
16	E18	11	19
17	E09	13	120
18	E09	9	27
19	E30	9	7
20	G36	21	13
21			
22			
23	E30	24	11
24			
25			
26	G31	8	11
27	H15	3	25
28	H15	6	25
	JACK	PIN	LG

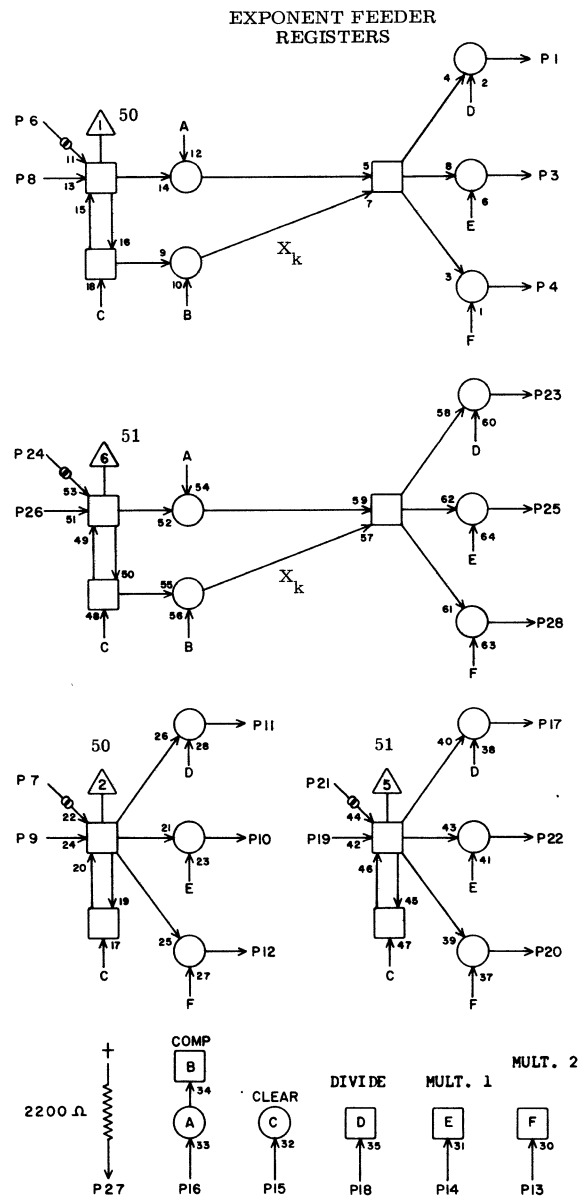
63019700 Rev. H



KA 2E37

	JACK	PIN	LG
1	J28	11	25
2			
3	J33	11	23
4	J38	11	23
5			
6			
7			
8	M08	1	43
9	L08	1	37
10	J33	15	23
11	J28	15	25
12	J38	15	23
13	E28	25	11
14	E28	13	11
15	E26	16	13
16	E26	2	13
17	J28	16	25
18	E28	15	11
19	L08	3	39
20	J38	16	23
21			
22	J33	16	23
23	J28	12	23
24			
25	J33	12	23
26	M08	3	43
27	B37	17	19
28	J38	12	23

63019700 Rev. H

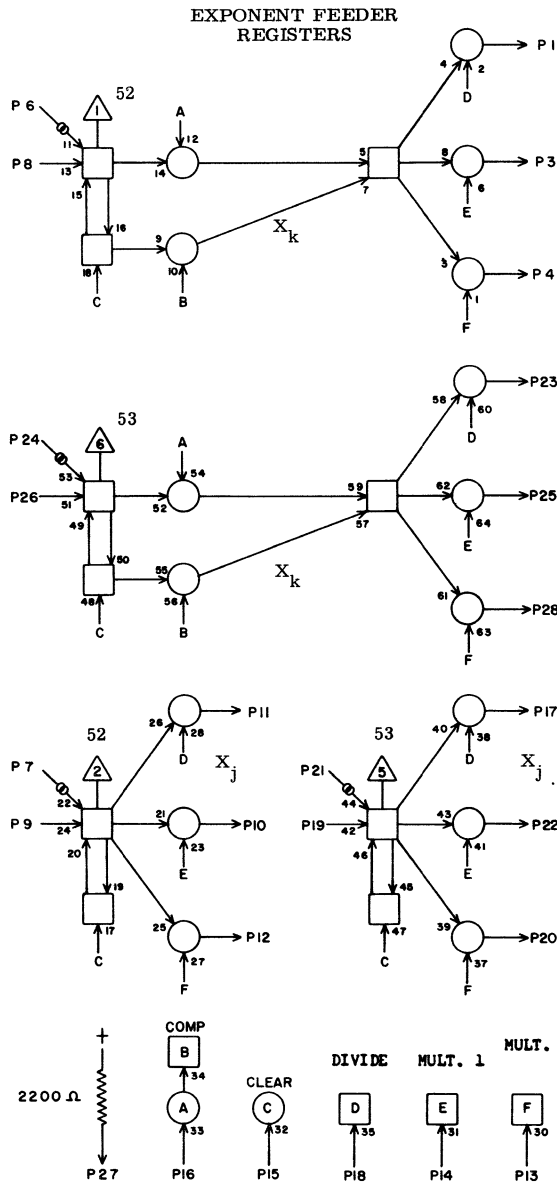


KA 2E38

	JACK	PIN	LG
1	J28	27	27
2			
3	J33	27	25
4	J38	27	25
5			
6			
7			
8	M08	5	41
9	L08	5	39
10	J33	26	25
11	J28	26	25
12	J38	26	23
13	E28	23	15
14	E28	1	11
15	E26	18	13
16	E26	4	13
17	J29	15	25
18	E28	7	11
19	L08	7	39
20	J39	15	23
21			
22	J34	15	23
23	J29	11	23
24			
25	J34	11	23
26	M08	7	41
27	D42	19	11
28	J39	11	21

63019700 Rev. H

2E38

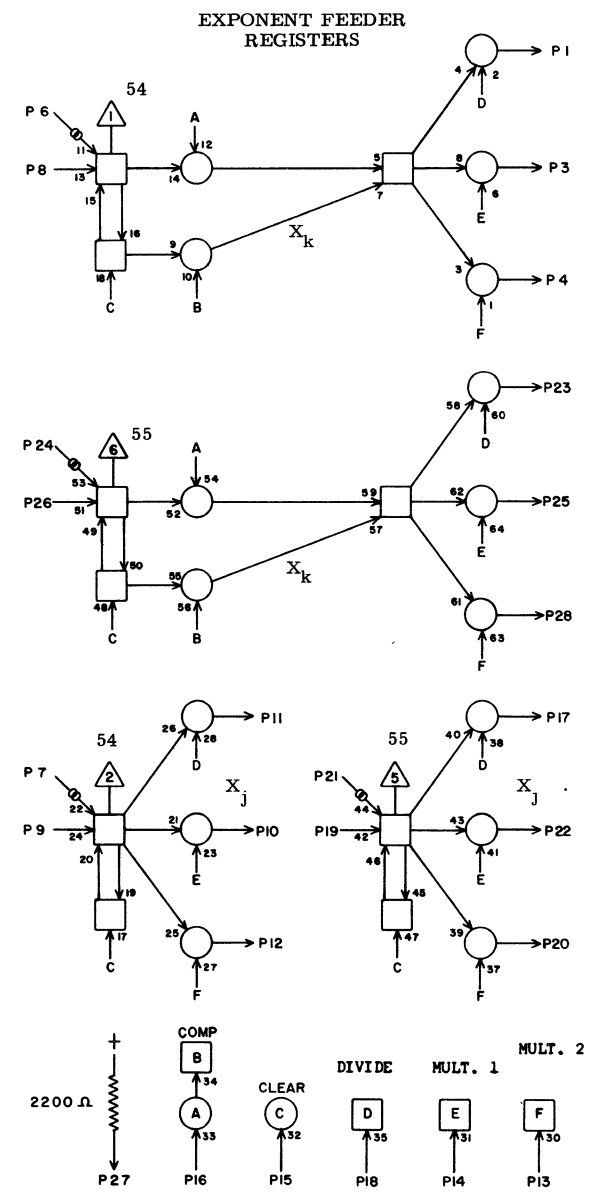


KA **2E39**

1	J29	12	25
2			
3	J34	12	23
4	J39	12	23
5			
6			
7			
8	M09	1	41
9	L09	1	39
10	J34	16	25
11	J29	16	25
12	J39	16	23
13	E28	26	15
14	E28	8	13
15	E26	20	17
16	E26	6	17
17	J29	26	25
18	E28	6	13
19	L09	3	39
20	J39	26	23
21			
22	J34	26	23
23	J29	27	25
24			
25	J34	27	23
26	M09	3	41
27	B37	28	17
28	J39	27	23

JACK PIN LG

63019700 Rev. H



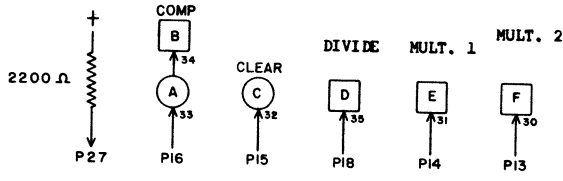
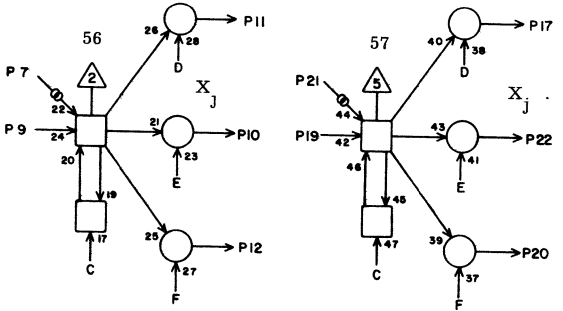
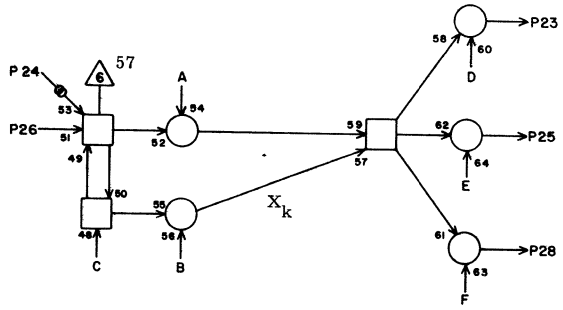
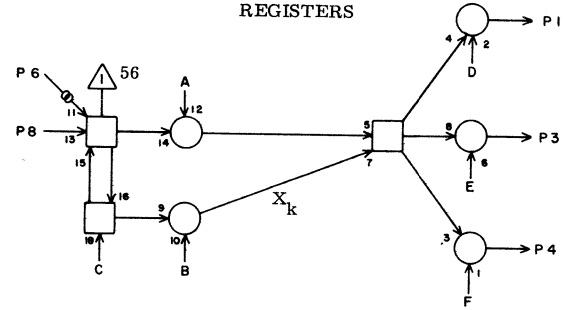
KA **2E40**

1	J30	11	25
2			
3	J35	11	25
4	J40	11	23
5			
6			
7			
8	M09	5	43
9	L09	5	41
10	J35	15	25
11	J30	15	25
12	J40	15	25
13	E28	24	15
14	E28	10	13
15	E26	22	17
16	E26	9	17
17	J30	16	25
18	E28	4	13
19	L09	7	39
20	J40	16	23
21			
22	J35	16	23
23	J30	12	25
24			
25	J35	12	23
26	M09	7	41
27	D30	7	13
28	J40	12	21

JACK PIN LG

63019700 Rev. H

EXPONENT FEEDER
REGISTERS

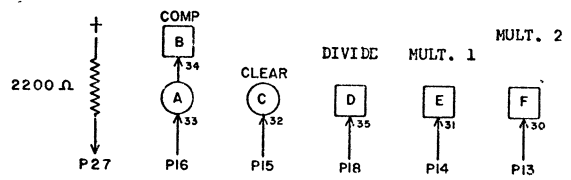
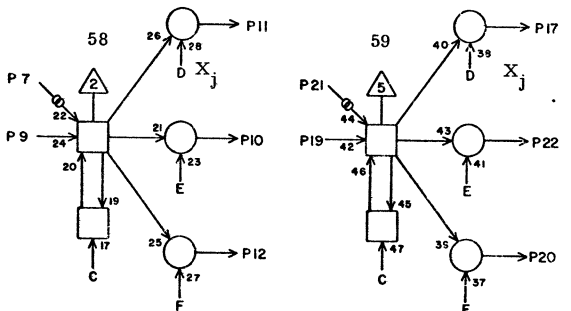
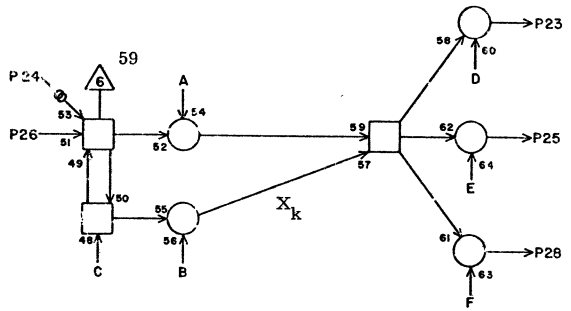
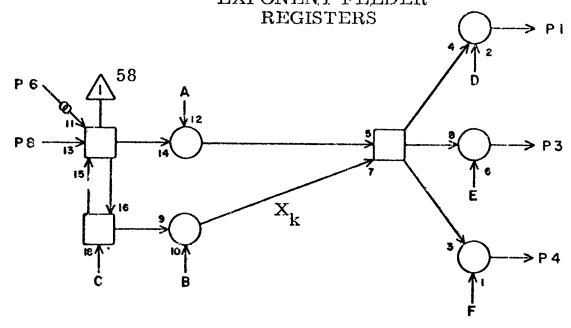


KA 2E41

	JACK	PIN	LG
1	J30	27	27
2			
3	J35	27	25
4	J40	27	25
5			
6			
7			
8	M10	1	43
9	L10	1	39
10	J35	26	25
11	J30	26	27
12	J40	26	25
13	E28	22	17
14	E28	12	15
15	E26	17	17
16	E26	11	17
17	J31	15	25
18	E28	9	13
19	L10	3	39
20	J41	15	23
21			
22	J36	15	23
23	J31	11	23
24			
25	J36	11	23
26	M10	3	41
27	D30	17	15
28	J41	11	21

63019700 Rev.H

EXPONENT FEEDER
REGISTERS



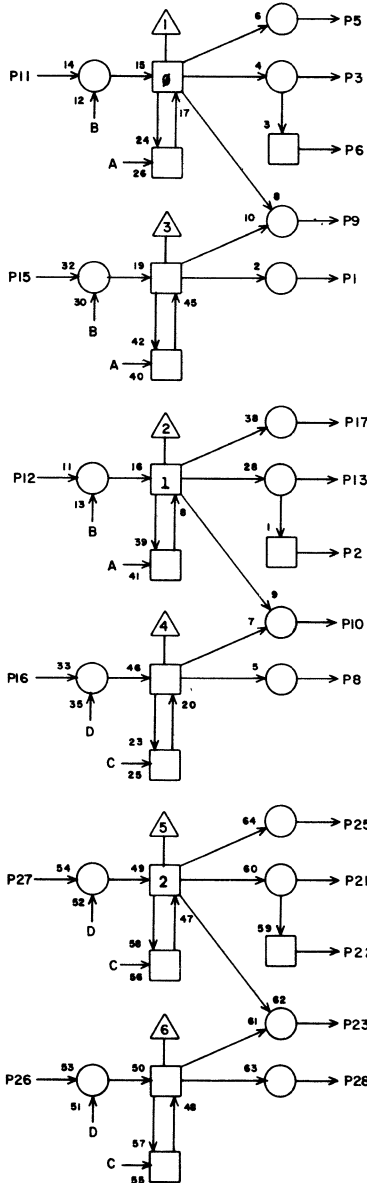
2E42

KA 2E42

	JACK	PIN	LG
1	J37	26	25
2			
3	J37	27	25
4	J37	28	25
5			
6			
7			
8	A31	16	21
9	A31	23	21
10	J37	22	25
11	J37	1	23
12	J37	21	25
13	E28	20	17
14	E28	2	17
15	E26	19	19
16	E26	13	17
17	J37	8	23
18	E28	11	15
19	A31	19	21
20	J37	5	23
21			
22	J37	2	23
23	J37	23	23
24			
25	J37	24	25
26	A31	18	21
27	B40	25	17
28	J37	25	23

63019700 Rev. H

POP. COUNT SUMMING NETWORK



Bit 0

Bit 1

Bit 2

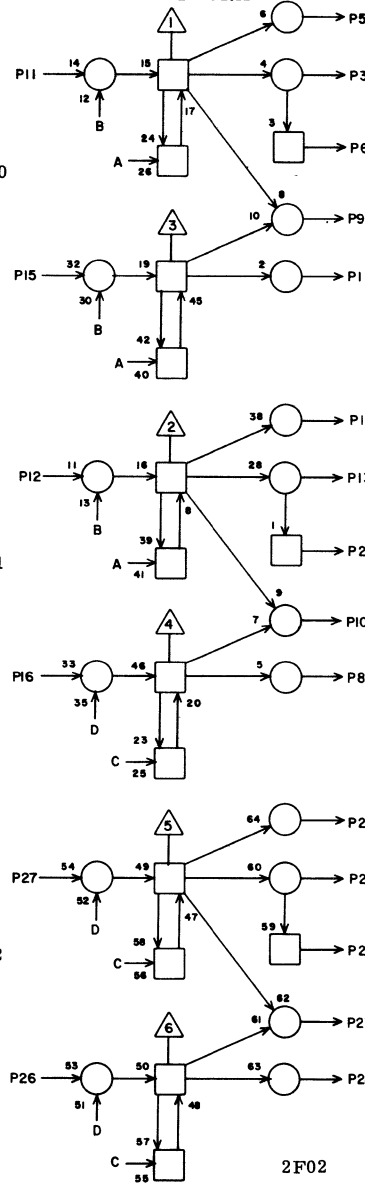
QA 2F01

1	G01	9	7
2			
3			
4			
5	G01	11	7
6			
7			
8	G01	19	7
9	G01	13	7
10	G01	15	7
11	H01	23	11
12	H01	8	11
13			
14	E19	15	21
15	H02	23	11
16	H02	8	11
17	G01	17	7
18			
19	E19	25	19
20			
21			
22			
23	G01	3	7
24			
25	G01	5	7
26	H02	1	9
27	H01	1	9
28	G01	7	7

JACK PIN LG

63019700 Rev. H

POP. COUNT SUMMING NETWORK



Bit 0

Bit 1

Bit 2

QA 2F02

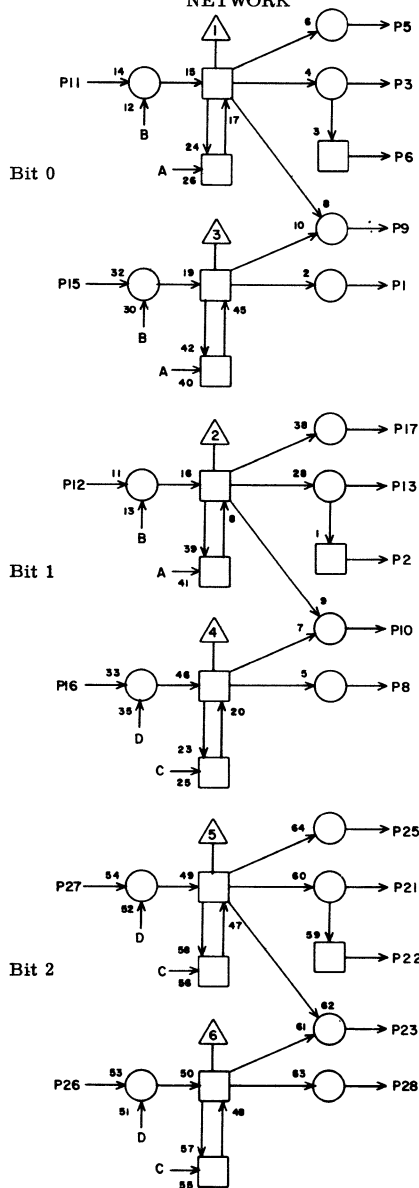
1	G02	9	7
2			
3			
4			
5	G02	11	7
6			
7			
8	G02	19	7
9	G02	13	7
10	G02	15	7
11	H03	23	11
12	H03	8	11
13			
14	E19	7	19
15	H04	23	11
16	H04	8	11
17	G02	17	7
18			
19	E19	23	19
20			
21			
22			
23	G02	3	7
24			
25	G02	5	7
26	H04	1	11
27	H03	1	9
28	G02	7	7

JACK PIN LG

63019700 Rev. H

2F02

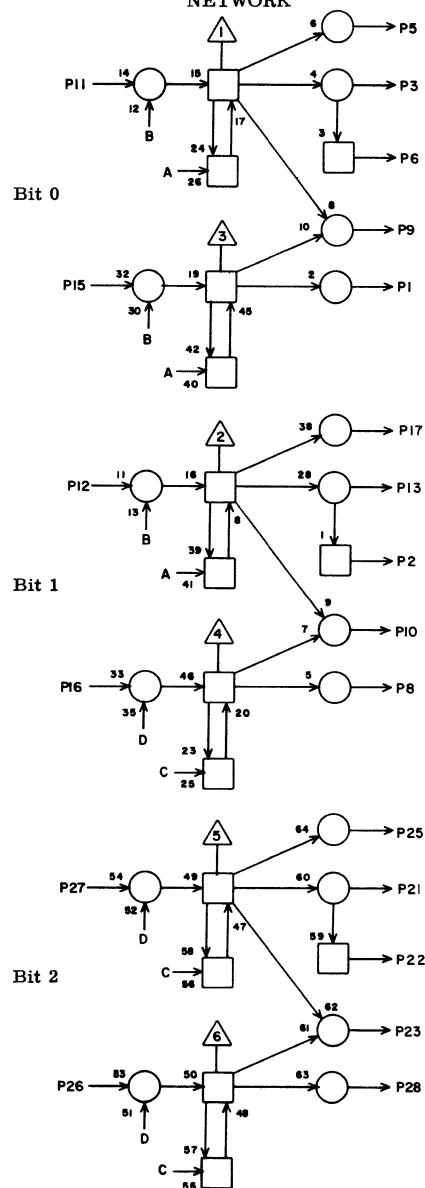
POP. COUNT SUMMING NETWORK



QA		2F03	
JACK	PIN	LG	
1	G03	9	7
2			
3			
4			
5	G03	11	7
6			
7			
8	G03	19	7
9	G03	13	7
10	G03	15	7
11	H05	23	11
12	H05	8	11
13			
14	E19	6	19
15	H06	23	11
16	H06	8	11
17	G03	17	7
18			
19	E19	26	17
20			
21			
22			
23	G03	3	7
24			
25	G03	5	7
26	H06	1	11
27	H05	1	9
28	G03	7	7

63019700 Rev. H

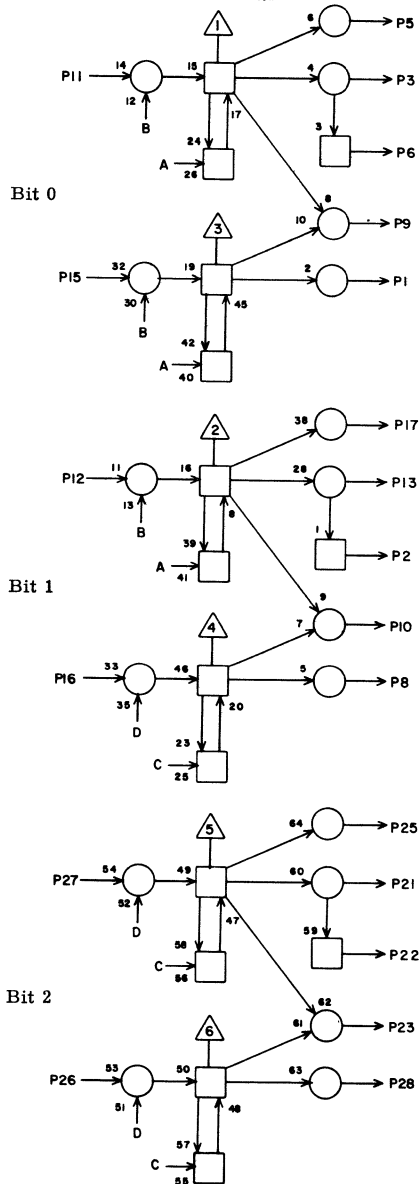
POP. COUNT SUMMING NETWORK



QA		2F04	
JACK	PIN	LG	
1	G04	9	7
2			
3			
4			
5	G04	11	7
6			
7			
8	G04	19	7
9	G04	13	7
10	G04	15	7
11	H07	23	11
12	H07	8	11
13			
14	E19	4	17
15	H08	23	11
16	H08	8	11
17	G04	17	7
18			
19	E19	24	17
20			
21			
22			
23	G04	3	7
24			
25	G04	5	7
26	H08	1	11
27	H07	1	11
28	G04	7	7

63019700 Rev. H

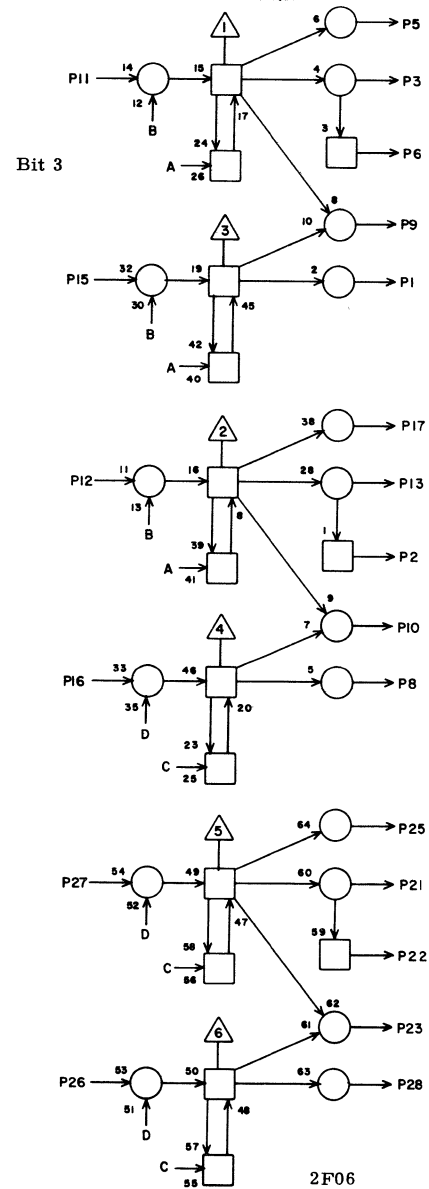
POP. COUNT SUMMING NETWORK



2F05			
QA	JACK	PIN	LG
1	G05	9	7
2			
3			
4			
5	G05	11	7
6			
7			
8	G05	19	7
9	G05	13	7
10	G05	15	7
11	F13	10	11
12	F13	8	11
13			
14	E19	9	17
15	F13	20	11
16	F13	21	11
17	G05	17	7
18			
19	E19	22	17
20			
21			
22			
23	G05	3	7
24			
25	G05	5	7
26	F13	19	11
27	F13	9	11
28	G05	7	7

63019700 Rev. H

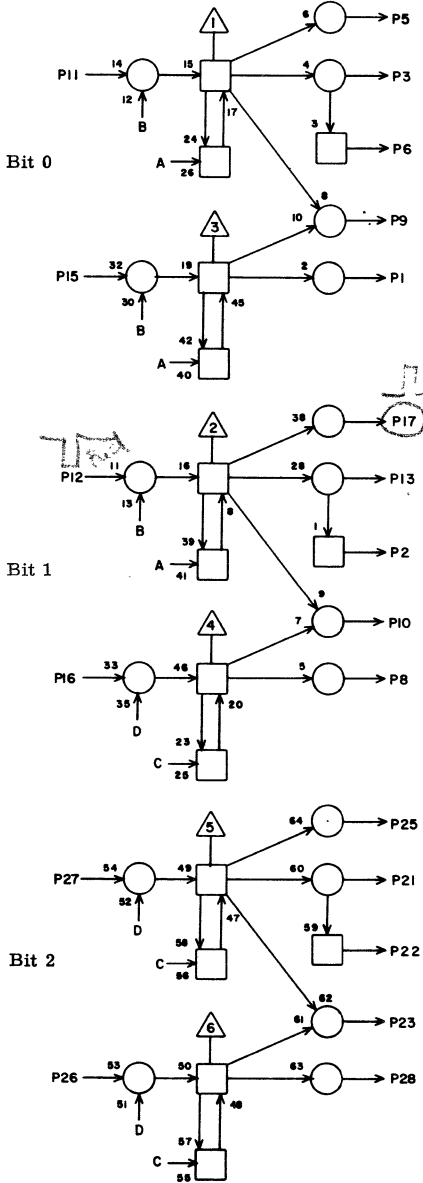
POP. COUNT SUMMING NETWORK



2F06			
QA	JACK	PIN	LG
1	G06	9	7
2			
3			
4			
5	G06	11	7
6			
7			
8			
9	G06	13	7
10			
11	F15	9	11
12			
13			
14	E19	11	17
15	F15	19	11
16			
17			
18			
19	E19	20	15
20			
21			
22			
23			
24			
25			
26			
27			
28			

63019700 Rev. H

POP. COUNT SUMMING NETWORK



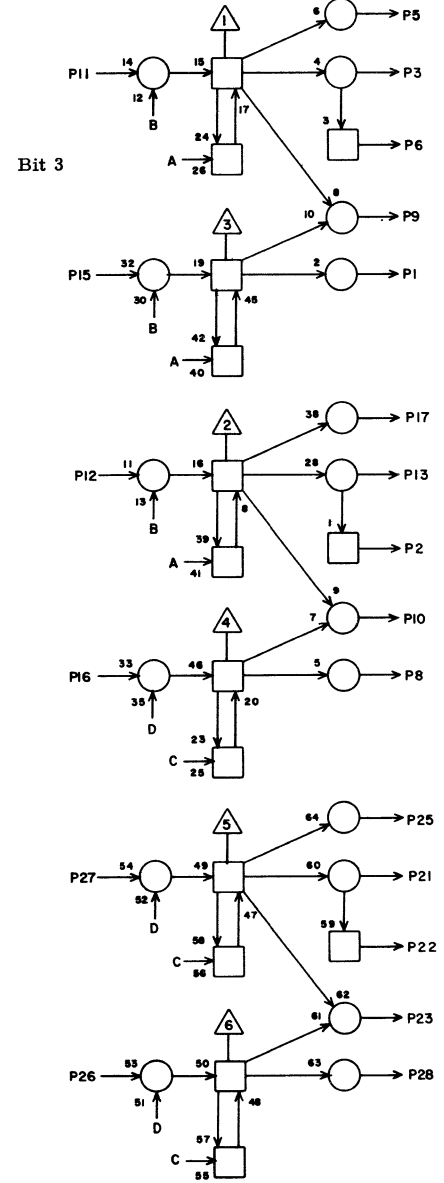
QA **2F07**

1	G07	9	7
2			
3			
4			
5	G07	11	7
6			
7			
8	G07	19	7
9	G07	13	7
10	G07	15	7
11	F14	10	11
12	F14	8	11
13			
14	E19	13	15
15	F14	20	11
16	F14	21	11
17	G07	17	7
18			
19	E19	18	15
20			
21			
22			
23	G07	3	5
24			
25	G07	5	5
26	F14	19	11
27	F14	9	11
28	G07	7	5

JACK PIN LG

63019700 Rev. H

POP. COUNT SUMMING NETWORK



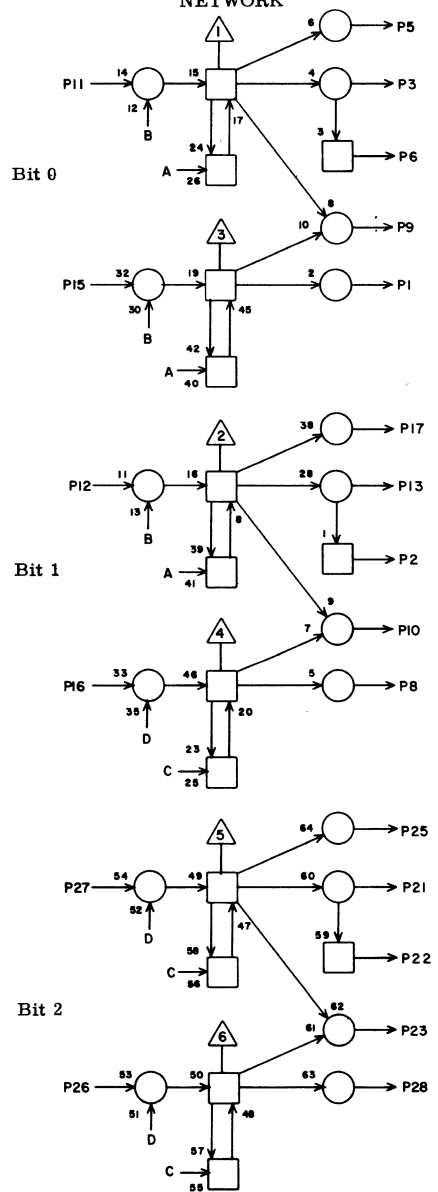
QA **2F08**

1	G08	9	9
2			
3			
4			
5	G08	11	9
6			
7			
8			
9	G08	13	9
10			
11	F15	8	9
12			
13			
14	E19	1	15
15	F15	21	11
16			
17			
18			
19	E19	28	13
20			
21			
22			
23			
24			
25			
26			
27			
28			

JACK PIN LG

63019700 Rev. H

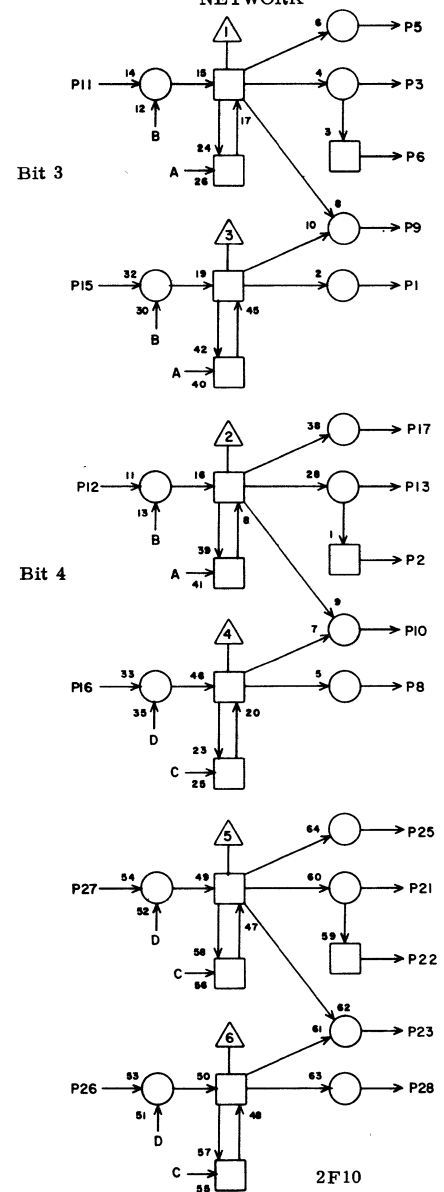
POP. COUNT SUMMING NETWORK



QA	2F09		
JACK	PIN	LG	
1	G09	9	9
2			
3			
4			
5	G09	11	9
6			
7			
8	G09	19	9
9	G09	13	9
10	G09	15	9
11	F16	10	9
12	F16	8	9
13			
14	E19	8	15
15	F17	10	11
16	F17	8	11
17	G09	17	7
18			
19	E19	21	13
20			
21			
22			
23	G09	3	5
24			
25	G09	5	5
26	F17	9	11
27	F16	9	11
28	G09	7	5

63019700 Rev. H

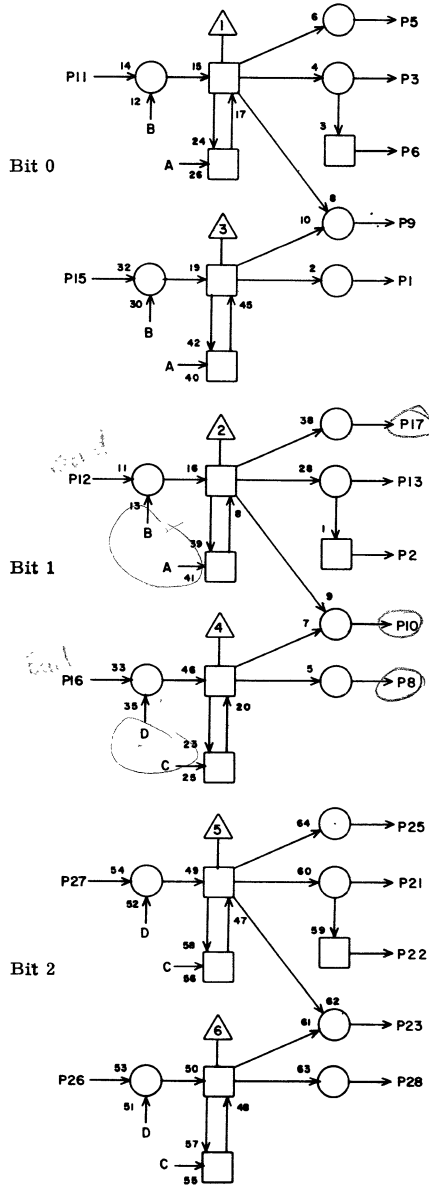
POP. COUNT SUMMING NETWORK



QA	2F10		
JACK	PIN	LG	
1	G10	9	9
2			
3			
4			
5	G10	11	9
6			
7			
8	G10	19	9
9	G10	13	9
10	G10	15	9
11	F16	21	9
12	F16	19	9
13			
14	E19	10	13
15	F17	21	11
16	F17	19	11
17	G10	17	9
18			
19	E19	19	13
20			
21			
22			
23			
24			
25			
26			
27			
28			

63019700 Rev. H

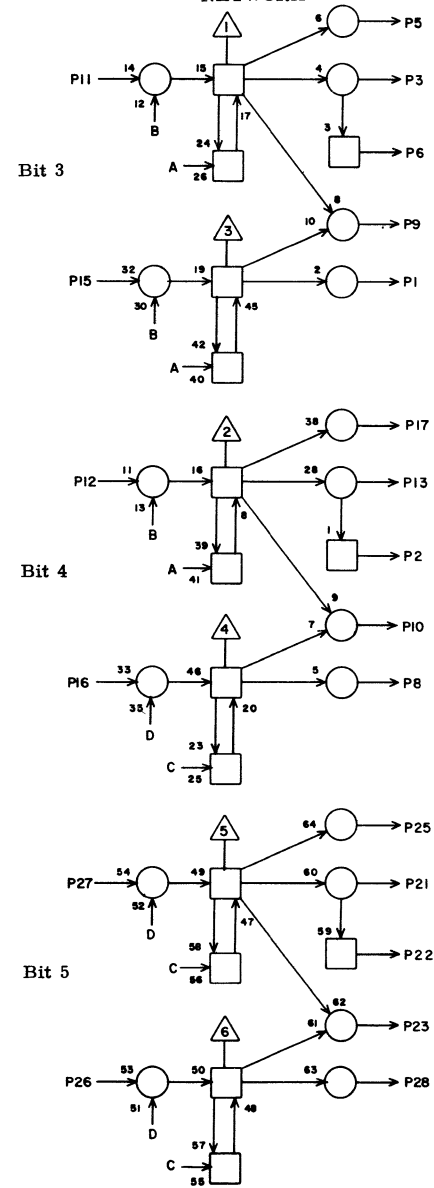
POP. COUNT SUMMING NETWORK



QA		2F11	
1	G11	9	9
2			
3			
4			
5	G11	11	9
6			
7			
8	G11	19	9
9	G11	13	9
10	G11	15	9
11	G14	10	9
12	G14	8	9
13			
14	E19	12	13
15	G13	10	7
16	G13	8	7
17	G11	17	7
18			
19	E19	17	13
20			
21			
22			
23	G11	3	5
24			
25	G11	5	5
26	G13	9	7
27	G14	9	7
28	G11	7	5

JACK PIN LG
63019700 Rev. H

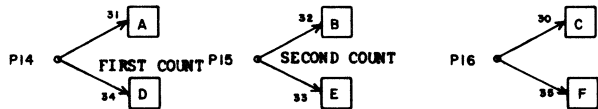
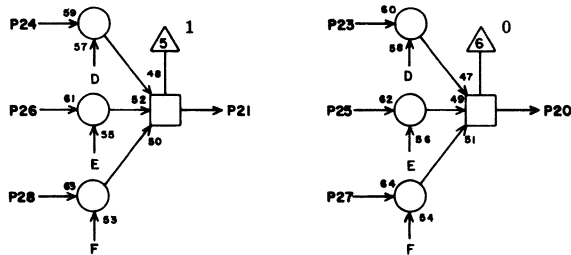
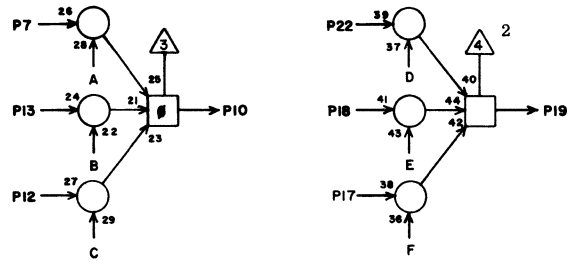
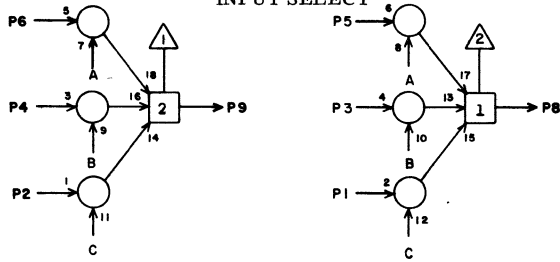
POP. COUNT SUMMING NETWORK



QA		2F12	
1	G12	9	9
2			
3			
4			
5	G12	11	9
6			
7			
8	G12	19	9
9	G12	13	9
10	G12	15	9
11	G14	20	9
12	G14	21	9
13			
14	E19	2	13
15	G13	20	9
16	G13	21	9
17	G12	17	9
18			
19	E19	27	13
20			
21			
22			
23	G12	3	5
24			
25	G12	5	5
26	G13	19	9
27	G14	19	9
28	G12	7	5

JACK PIN LG
63019700 Rev. H

POP. COUNT SUMMING NETWORK INPUT SELECT

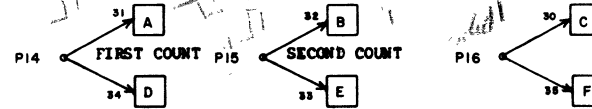
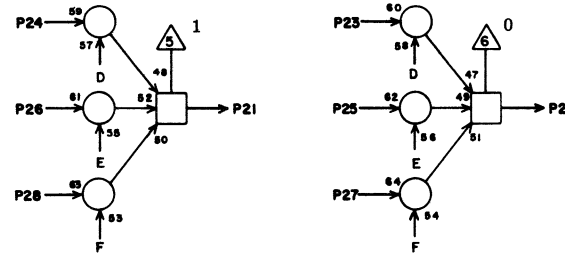
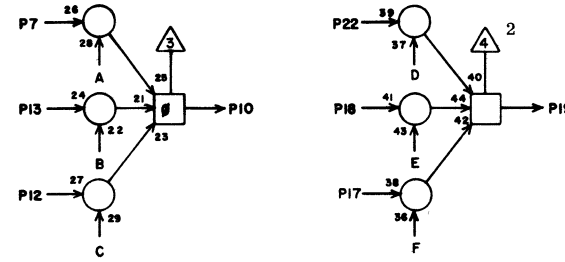
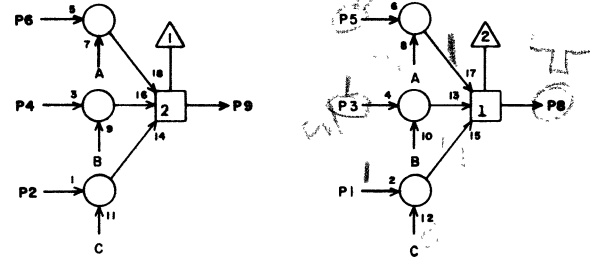


TE 2F13

1			
2			
3	H16	12	11
4	H16	4	11
5	H09	8	11
6	H09	1	11
7	H09	23	13
8	F05	12	11
9	F05	27	11
10	F05	11	11
11			
12			
13	G16	13	9
14	D18	15	13
15	D18	25	13
16		Ord	2
17			
18	H18	20	11
19	F07	26	11
20	F07	15	11
21	F07	16	11
22	H10	1	11
23	H10	23	11
24	H10	8	11
25	H18	12	11
26	H18	4	11
27			
28			

JACK PIN LG

POP. COUNT SUMMING NETWORK INPUT SELECT

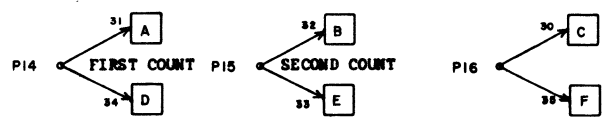
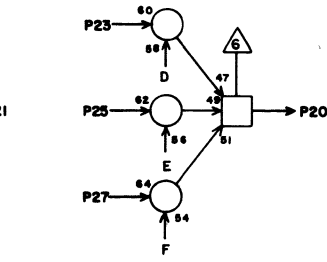
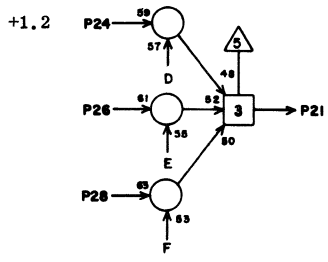
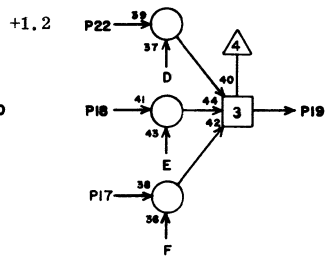
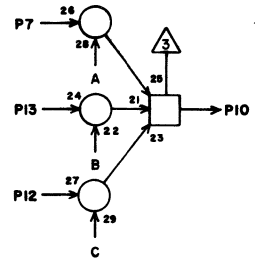
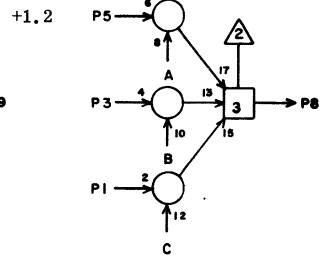
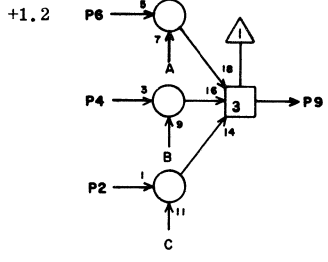


TE 2F14

1			
2			
3	H16	20	11
4	H16	17	11
5	H11	8	11
6	H11	1	11
7	H11	23	11
8	F07	12	11
9	F07	27	11
10	F07	11	11
11			
12			
13	G16	15	9
14	D18	7	13
15	D18	23	13
16		Ord	2
17			
18	H18	20	11
19	F07	26	11
20	F07	15	11
21	F07	16	11
22	H12	1	11
23	H12	23	11
24	H12	8	11
25	H19	12	11
26	H19	4	11
27			
28			

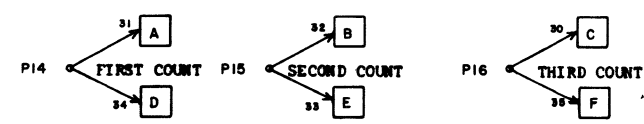
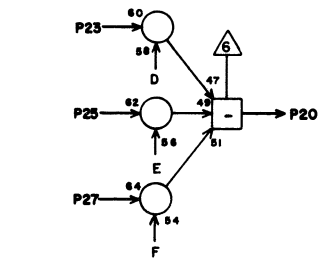
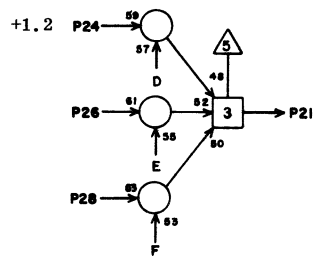
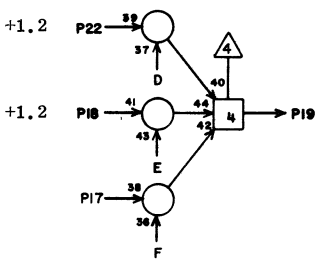
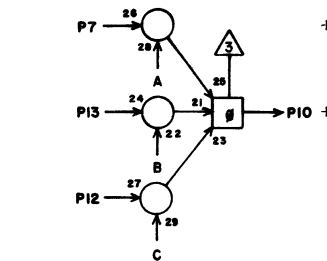
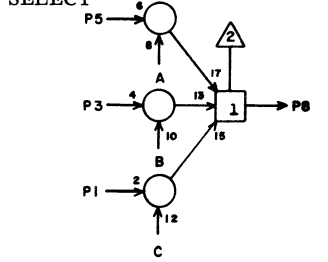
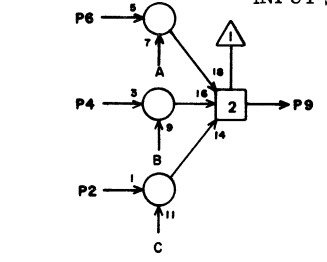
JACK PIN LG

POP. COUNT SUMMING
NETWORK
INPUT SELECT



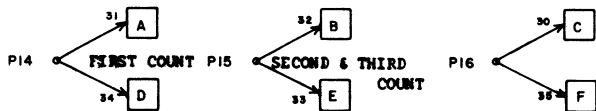
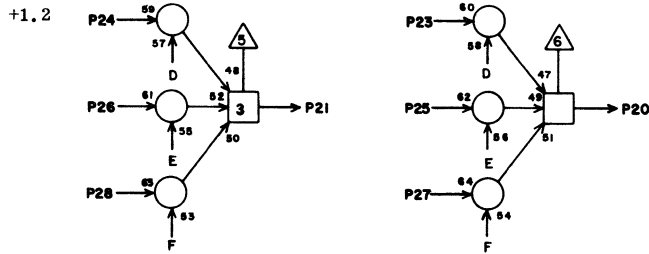
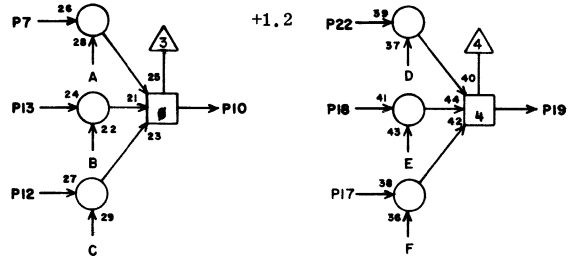
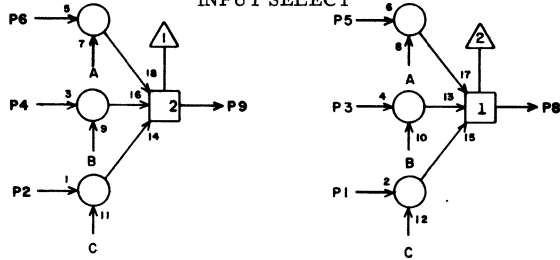
TE		2F15	
1			
2			
3	G02	14	17
4	G01	14	17
5	G20	15	11
6	G20	7	11
7			
8	F08	11	9
9	F06	11	11
10			
11			
12			
13			
14	D18	6	14
15	D18	26	11
16		Grd	2
17			
18	H18	17	11
19	F06	15	11
20			
21	F06	15	11
22	G20	8	9
23			
24	G20	10	9
25			
26	H18	17	11
27			
28			
	JACK	PIN	LG

POP. COUNT SUMMING
NETWORK
INPUT SELECT



TE		2F16	
1	H18	11	11
2	H18	27	13
3	H17	12	11
4	H17	4	11
5	H18	8	11
6	H18	1	11
7	H18	23	11
8	F08	12	9
9	F08	27	11
10	F08	11	9
11			
12	H18	14	13
13	G16	18	9
14	D18	4	13
15	D18	24	11
16	D17	15	13
17	G06	2	13
18	G20	6	9
19	F10	12	9
20			
21	F10	11	9
22	G20	4	7
23			
24	G20	9	7
25			
26	G03	14	17
27			
28	H18	19	11
	JACK	PIN	LG

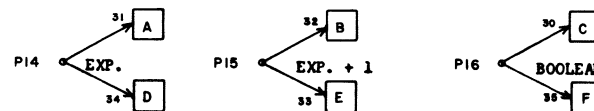
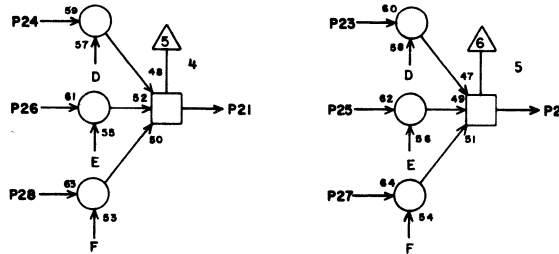
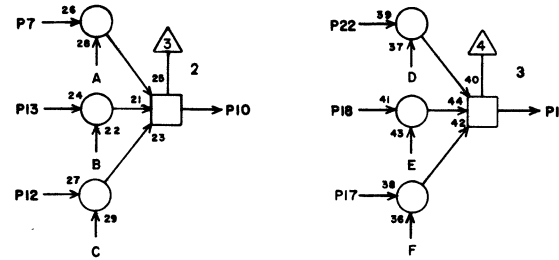
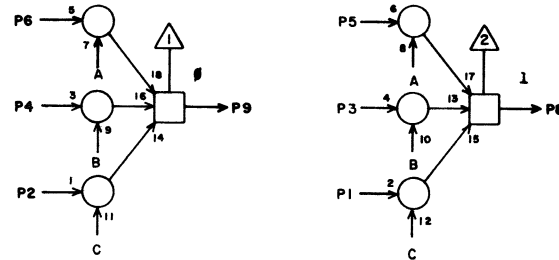
POP. COUNT SUMMING NETWORK
INPUT SELECT



TE **2F17**

1			
2			
3	H20	4	11
4	H20	20	11
5	H14	8	11
6	H14	1	11
7	H14	23	11
8	F09	16	11
9	F09	26	11
10	F09	15	11
11			
12			
13	H20	12	11
14	B18	9	13
15	D20	8	15
16		Grd	2
17			
18	H21	12	11
19	F10	16	11
20			
21	F10	15	11
22	G20	23	7
23			
24	G20	26	7
25			
26	H20	17	11
27			
28			

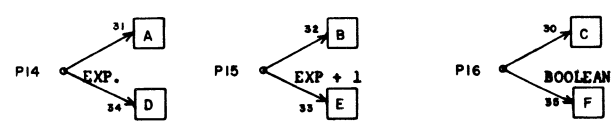
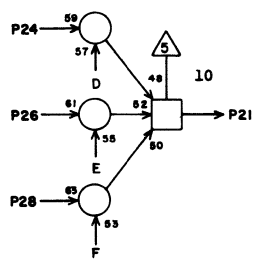
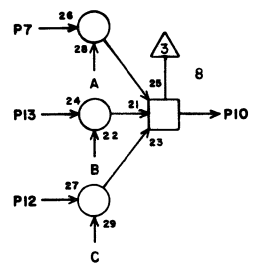
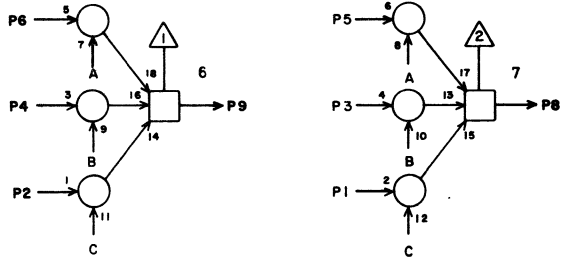
SELECT DIVIDE EXP. OR BOOLEAN



TE **2F18**

1	M04	7	33
2	M04	3	31
3	F28	4	11
4	F28	12	11
5	F25	6	9
6	F25	12	11
7	F25	27	11
8	K13	13	23
9	K13	7	23
10	K13	20	25
11			
12	M04	10	31
13	F28	27	11
14	F24	13	9
15	F24	11	9
16	G17	23	9
17	M04	19	33
18	F28	19	11
19	K13	22	23
20	K14	13	23
21	K14	7	23
22	F25	19	11
23	F26	4	11
24	F26	12	11
25	F29	4	11
26	F29	12	13
27	M04	25	31
28	M04	15	31

SELECT DIVIDE EXPONENT OR
BOOLEAN

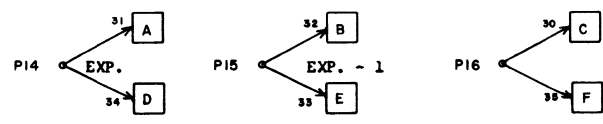
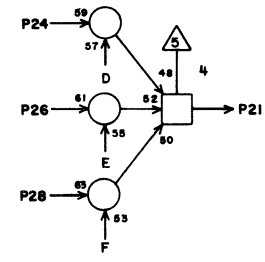
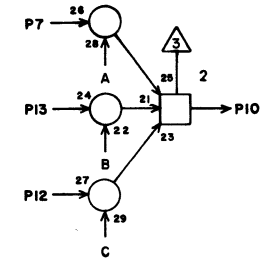
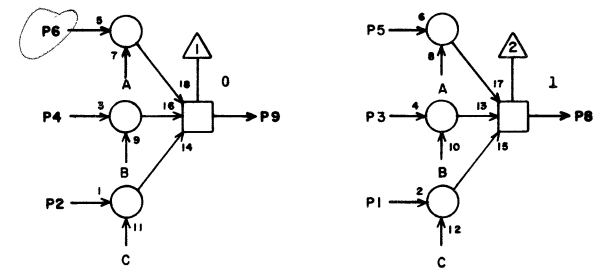


TE **2F19**

1	N05	7	33
2	N05	3	31
3	F29	19	11
4	F29	27	11
5	F26	19	11
6	F26	27	11
7	F27	12	11
8	K14	22	25
9	K14	20	25
10	K15	7	23
11			
12	N05	10	31
13	F90	12	11
14	F24	9	9
15	F24	16	9
16	G17	19	7
17	N05	19	33
18	F90	4	13
19	K15	13	23
20	K15	22	23
21	K15	20	23
22	F27	4	11
23	D16	13	13
24	B34	9	23
25	D16	12	13
26	B33	9	23
27	N05	25	31
28	N05	15	31

JACK PIN LG

SELECT MULTIPLY 1 EXPONENT

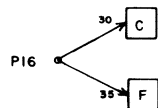
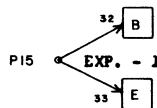
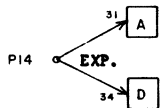
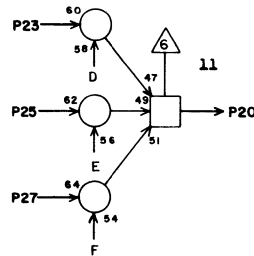
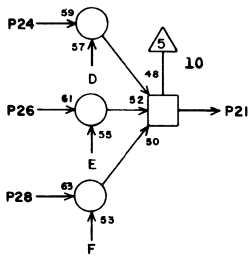
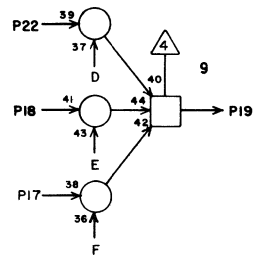
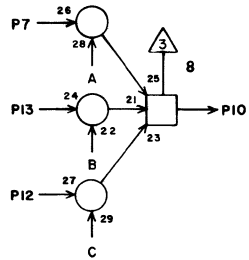
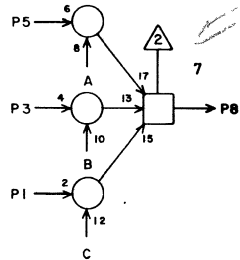
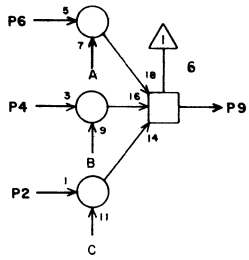


TE **2F20**

1			
2			
3	F34	4	17
4	F34	12	17
5	F31	4	13
6	F31	12	13
7	F31	27	13
8	K13	9	23
9	K13	3	23
10	K13	18	25
11			
12			
13	F34	27	17
14	G21	5	17
15	G21	14	7
16			
17			
18	F34	19	17
19	K13	24	25
20	K14	9	23
21	K14	3	23
22	F31	19	15
23	F32	4	15
24	F32	12	15
25	F35	4	17
26	F35	12	17
27			
28			

JACK PIN LG

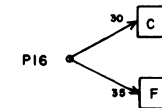
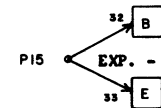
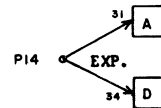
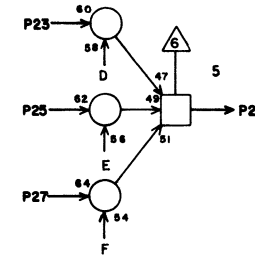
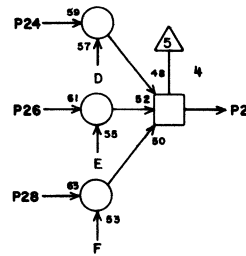
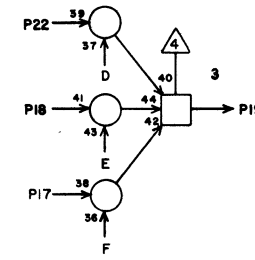
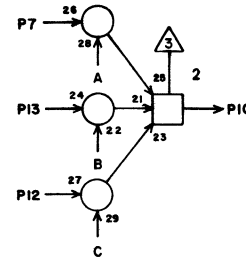
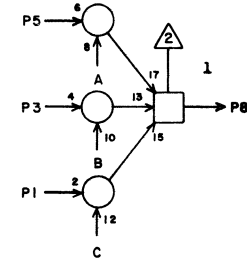
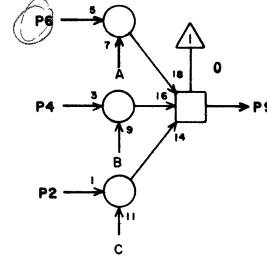
SELECT MULTIPLY 1 EXPONENT



TE 2F21

1			
2			
3	F35	19	17
4	F35	27	17
5	F32	19	15
6	F32	27	15
7	F33	12	15
8	K14	24	25
9	K14	18	25
10	K15	3	23
11			
12			
13	F36	12	17
14	G21	9	17
15	G21	8	7
16			
17			
18	F36	4	17
19	K15	9	23
20			
21	K15	18	23
22	F33	4	15
23	F33	19	15
24	G31	14	13
25	F36	19	17
26	G31	17	13
27			
28			

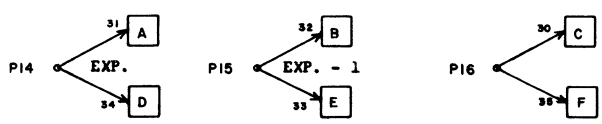
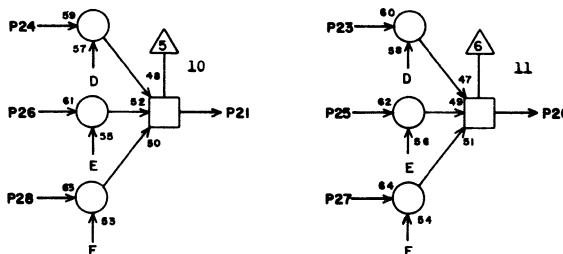
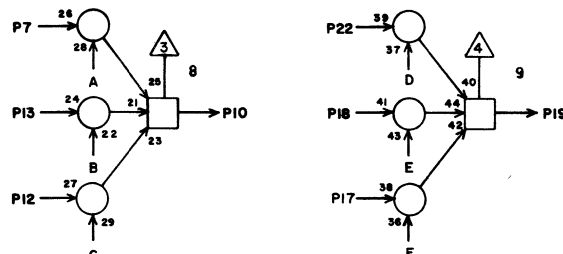
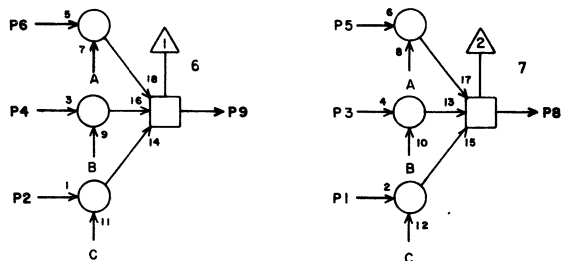
SELECT MULTIPLY 2 EXPONENT



TE 2F22

1			
2			
3	F40	4	19
4	F40	12	19
5	F37	4	17
6	F37	12	17
7	F37	27	17
8	K13	11	25
9	K13	5	25
10	K13	16	25
11			
12			
13	F40	27	19
14	G21	22	17
15	G21	16	7
16			
17			
18	F40	19	19
19	K13	26	25
20	K14	11	25
21	K14	5	23
22	F37	19	17
23	F38	4	17
24	F38	12	17
25	F41	4	21
26	F41	12	21
27			
28			

SELECT MULTIPLY 2 EXPONENT



TE		2F23	
1			
2			
3	F41	19	10
4	F41	27	21
5	F38	19	17
6	F38	27	17
7	F39	12	17
8	K14	26	25
9	K14	16	25
10	K15	5	25
11			
12			
13	F42	12	21
14	G21	21	17
15	G21	18	7
16			
17			
18	F42	4	21
19	K15	11	25
20			
21	K15	16	25
22	F39	4	19
23	F39	19	19
24	G31	27	13
25	F42	19	21
26	G31	21	13
27			
28			

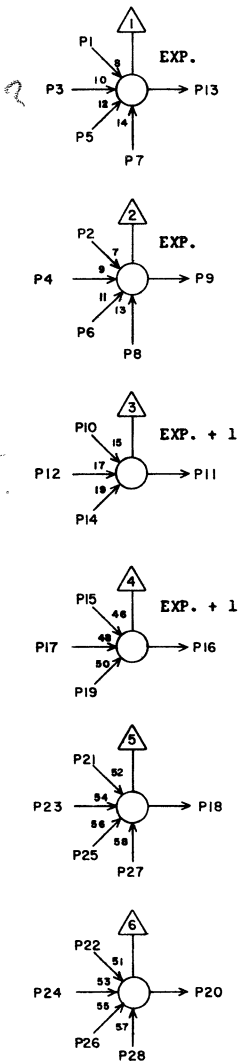
JACK PIN LG

63019700 Rev. H

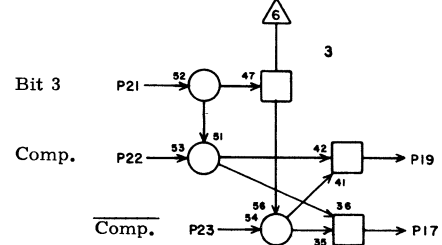
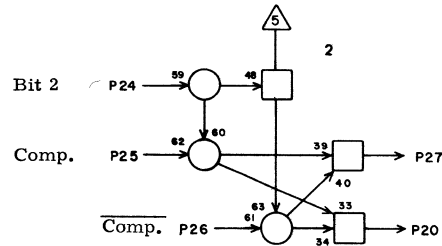
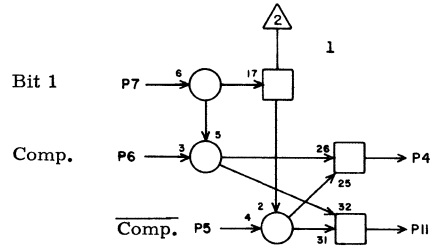
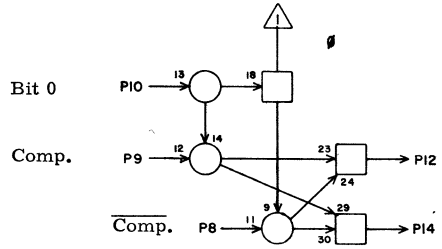
TI		2F24	
1	N11	6	35
2	N11	6	35
3	H25	20	108
4	H25	24	108
5	D42	1	23
6	D42	3	23
7			
8			
9	F19	14	9
10	N11	9	35
11	F18	15	9
12	H24	18	108
13	F18	14	9
14			
15	N11	11	35
16	F19	15	9
17	H24	20	108
18	F24	22	3
19			
20	H27	28	13
21	J23	18	19
22	F24	18	3
23	D42	24	23
24	G32	9	9
25			
26			
27			
28			

JACK PIN LG

63019700 Rev. K

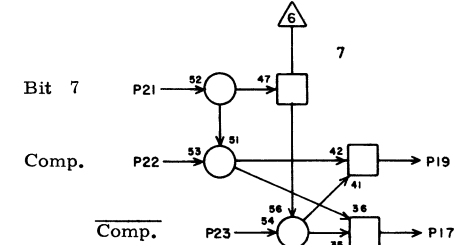
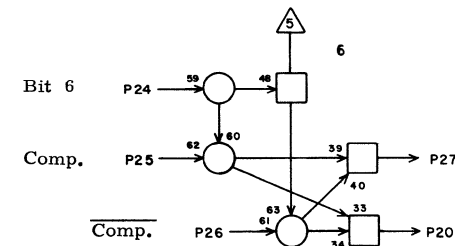
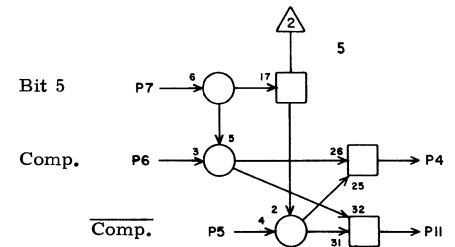
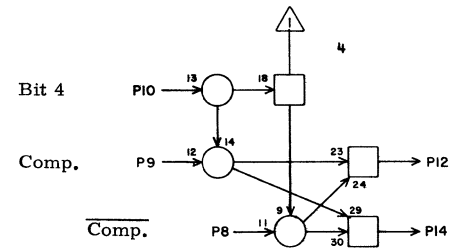


COMPLEMENT DIVIDE EXPONENT



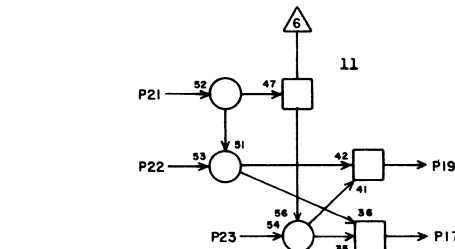
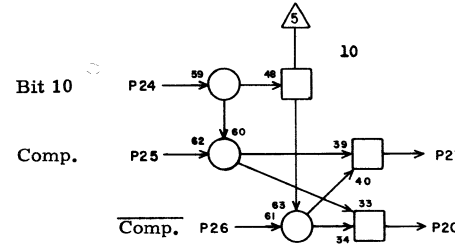
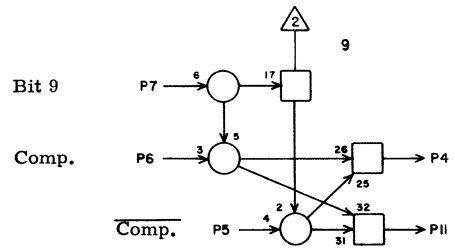
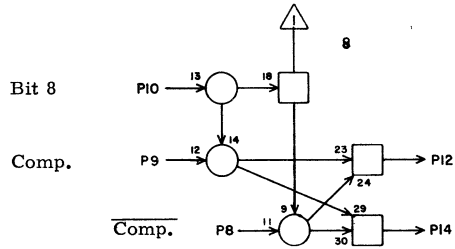
TJ	2F25		
1			
2			
3			
4	F18	5	9
5	G22	7	7
6	G22	23	7
7	E24	16	9
8	G22	15	9
9	G22	25	9
10	E24	22	9
11			
12	F18	6	11
13			
14			
15			
16			
17			
18			
19	F18	22	11
20			
21	E24	2	9
22	G22	24	9
23	G22	4	9
24	E24	23	9
25	G22	26	9
26	G22	6	9
27	F18	7	11
28			
	JACK	PIN	LG

COMPLEMENT DIVIDE EXPONENT



TJ	2F26		
1			
2			
3			
4	F18	23	11
5	G22	11	9
6	G22	20	11
7	E24	14	9
8	G22	9	9
9	G22	22	9
10	E24	5	9
11			
12	F18	24	11
13			
14			
15			
16			
17			
18			
19	F19	5	11
20			
21	E27	16	7
22	G22	28	11
23	G22	1	9
24	E27	22	9
25	G22	18	9
26	G22	13	9
27	F19	6	11
28			
	JACK	PIN	LG

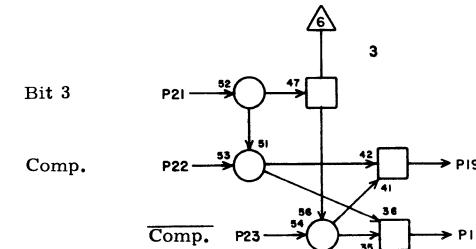
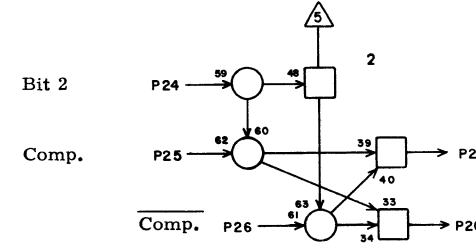
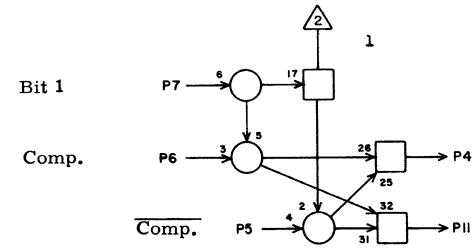
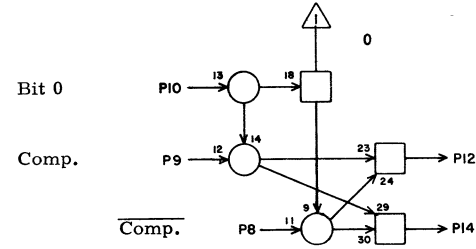
COMPLEMENT DIVIDE EXPONENT



TJ 2F27

1			
2			
3			
4	F19	22	11
5	G22	10	11
6	G22	19	11
7	E27	2	9
8	G22	8	11
9	G22	21	11
10	E27	23	9
11			
12	F19	7	11
13			
14			
15			
16			
17			
18			
19			
20			
21			
22	G22	27	11
23	G22	2	9
24	E27	5	9
25	G22	17	9
26	G22	12	9
27	B34	13	23
28			
	JACK	PIN	LG

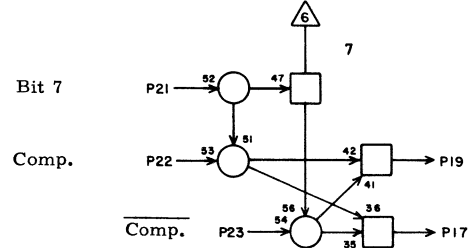
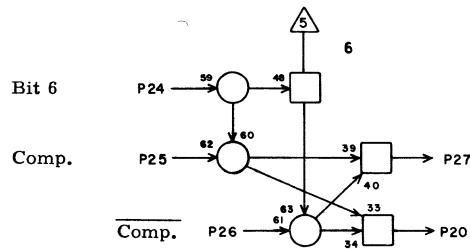
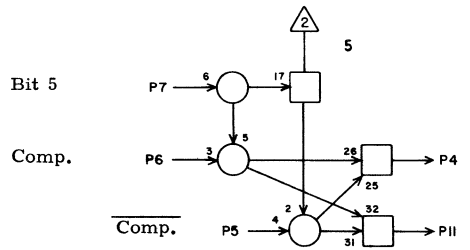
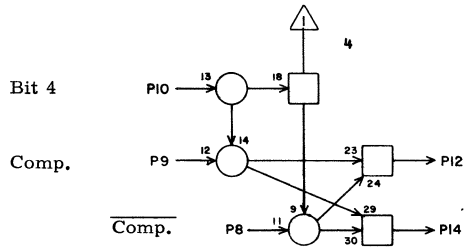
COMPLEMENT DIVIDE EXPONENT +1



TJ 2F28

1			
2			
3			
4	F18	3	11
5	G23	7	11
6	G23	23	11
7	H28	24	11
8	G23	15	11
9	G23	25	11
10	H28	0	11
11			
12	F18	4	11
13			
14			
15			
16			
17			
18			
19	F18	18	11
20			
21	H29	9	11
22	G23	24	11
23	G23	4	9
24	H28	20	11
25	G23	26	9
26	G23	6	9
27	F18	13	11
28			
	JACK	PIN	LG

COMPLEMENT DIVIDE EXPONENT +1

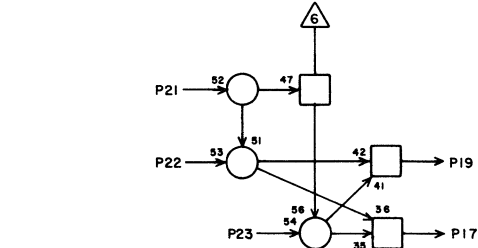
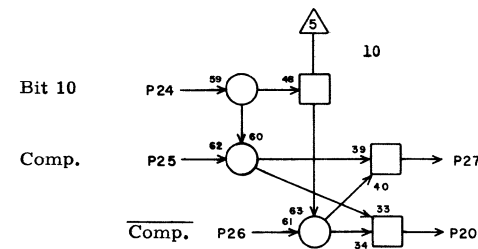
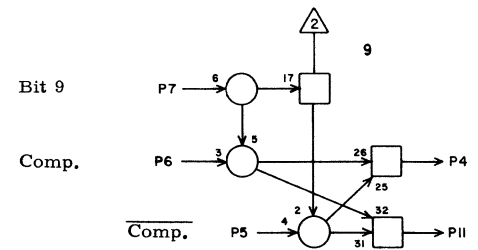
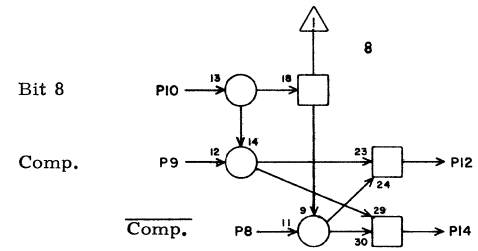


TJ 2F29

1			
2			
3			
4	F18	25	11
5	G23	11	11
6	G23	20	11
7	H29	20	13
8	G23	9	11
9	G23	22	11
10	H29	24	11
11			
12	F18	26	13
13			
14			
15			
16			
17			
18			
19	F19	3	11
20			
21	H30	24	11
22	G23	28	11
23	G23	1	9
24	H30	9	11
25	G23	18	11
26	G23	13	9
27	F19	4	11
28			

JACK PIN LG

COMPLEMENT DIVIDE EXPONENT +1

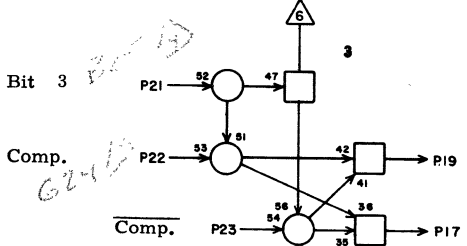
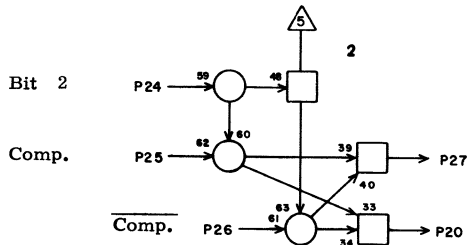
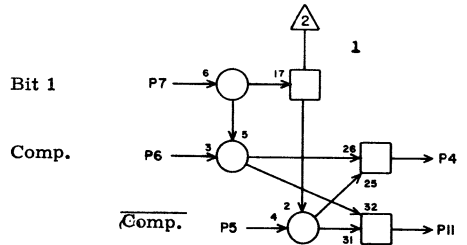
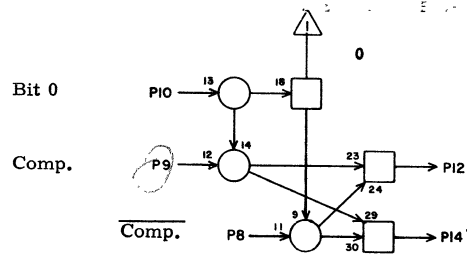


TJ 2F30

1			
2			
3			
4	F19	18	13
5	G23	10	11
6	G23	19	11
7	H31	9	11
8	G23	8	13
9	G23	21	11
10	H30	20	13
11			
12	F19	13	11
13			
14			
15			
16			
17			
18			
19			
20			
21	H31	20	13
22	G23	27	13
23	G23	2	11
24	H31	24	13
25	G23	17	11
26	G23	12	13
27	B33	13	21
28			

JACK PIN LG

COMPLEMENT MULTIPLY 1 EXPONENT

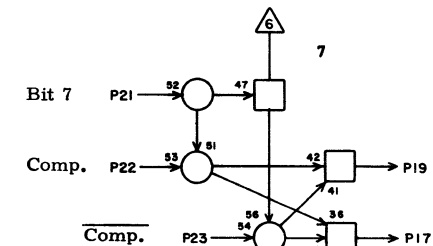
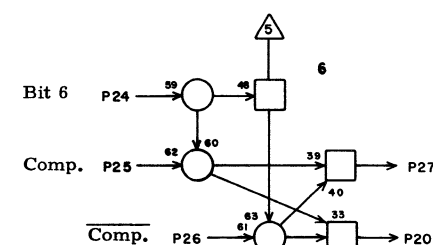
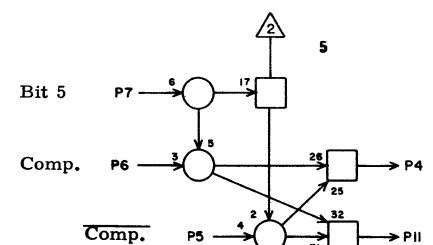
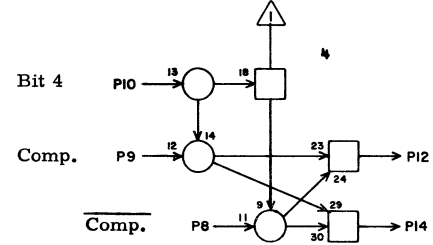


TJ 2F31

1			
2			
3			
4	F20	5	13
5	G24	7	11
6	G24	23	13
7	B25	9	19
8	G24	15	13
9	G24	25	13
10	B25	8	19
11			
12	F20	6	13
13			
14			
15			
16			
17			
18			
19	F20	22	15
20			
21	B25	19	19
22	G24	24	13
23	G24	4	11
24	B25	12	19
25	G24	26	13
26	G24	6	11
27	F20	7	13
28			

JACK PIN LG

COMPLEMENT MULTIPLY 1 EXPONENT

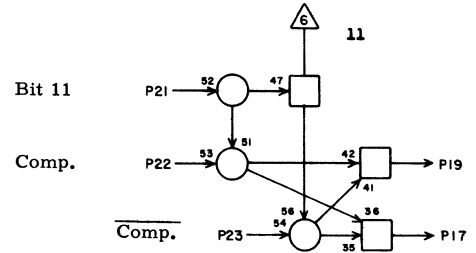
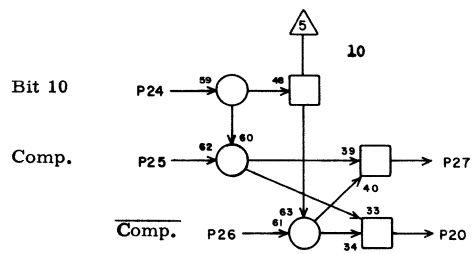
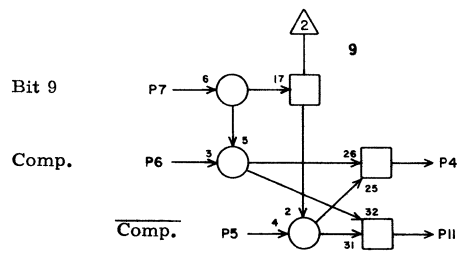
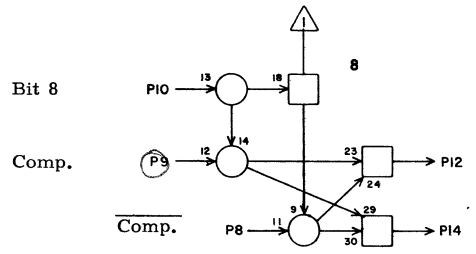


TJ 2F32

1			
2			
3			
4	F20	23	15
5	G24	11	13
6	G24	20	13
7	B25	21	19
8	G24	9	13
9	G24	22	13
10	B25	18	19
11			
12	F20	24	15
13			
14			
15			
16			
17			
18			
19	F21	5	15
20			
21	B26	9	21
22	G24	28	13
23	G24	1	13
24	B26	8	21
25	G24	18	13
26	G24	13	13
27	F21	6	15
28			

JACK PIN LG

COMPLEMENT MULTIPLY 1 EXPONENT

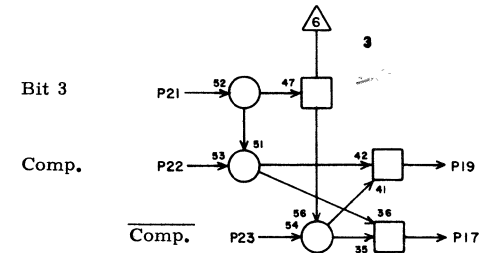
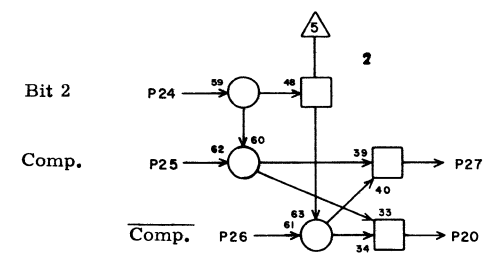
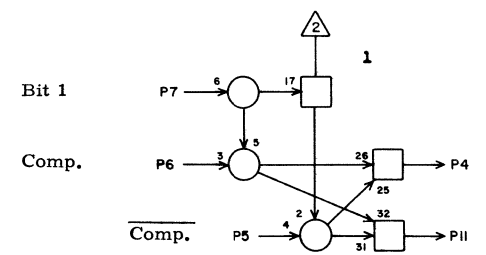
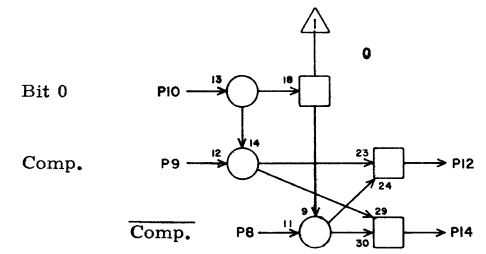


TJ 2F33

1			
2			
3			
4	F21	22	15
5	G24	10	13
6	G24	19	13
7	B26	21	21
8	G24	8	13
9	G24	21	13
10	B26	12	21
11			
12	F21	7	15
13			
14			
15			
16			
17			
18			
19	F21	23	15
20			
21	B26	19	21
22	G24	27	13
23	G24	2	13
24	B26	18	21
25	G24	17	13
26	G24	12	13
27	G31	13	5
28			

JACK PIN LG

COMPLEMENT MULTIPLY 1 EXPONENT -1

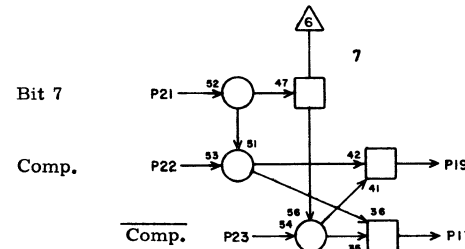
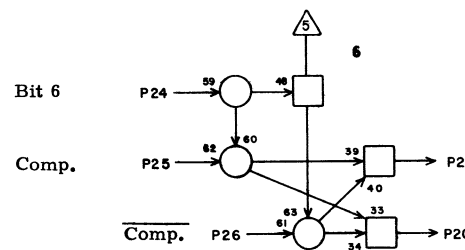
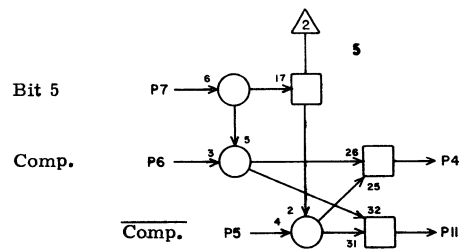
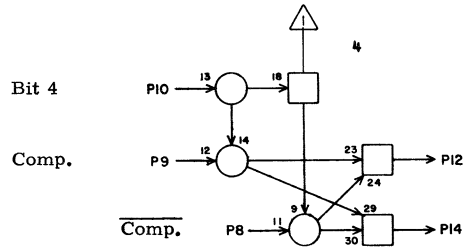


TJ 2F34

1			
2			
3			
4	F20	3	17
5	G25	7	15
6	G25	23	15
7	H33	19	13
8	G25	15	15
9	G25	25	15
10	H33	6	13
11			
12	F20	4	17
13			
14			
15			
16			
17			
18			
19	F20	18	17
20			
21	H34	6	13
22	G25	24	13
23	G25	4	13
24	H33	17	13
25	G25	26	13
26	G25	6	13
27	F20	13	17
28			

JACK PIN LG

COMPLEMENT MULTIPLY 1 EXPONENT -1

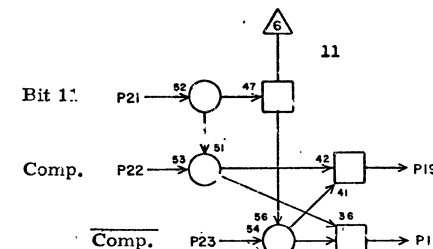
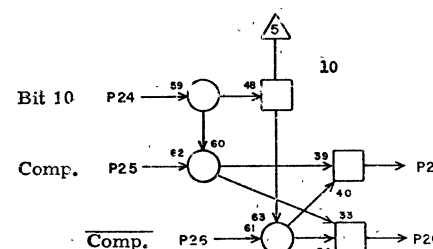
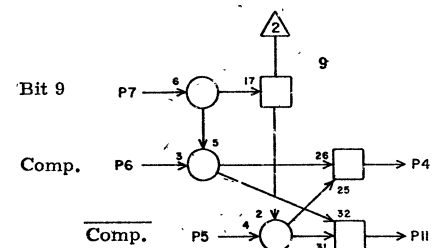
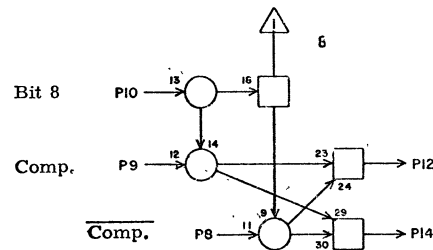


TJ 2F35

1			
2			
3			
4	F20	25	17
5	G25	11	13
6	G25	20	13
7	H34	17	13
8	G25	9	13
9	G25	22	13
10	H34	19	13
11			
12	F20	26	17
13			
14			
15			
16			
17			
18			
19	F21	3	17
20			
21	H35	19	13
22	G25	28	13
23	G25	1	13
24	H35	6	13
25	G25	18	13
26	G25	13	13
27	F21	4	17
28			

JACK PIN LG

COMPLEMENT MULTIPLY 1 EXPONENT -1

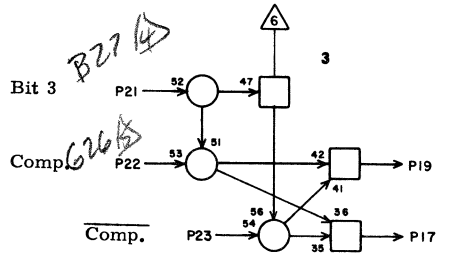
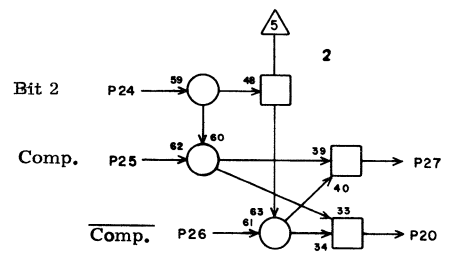
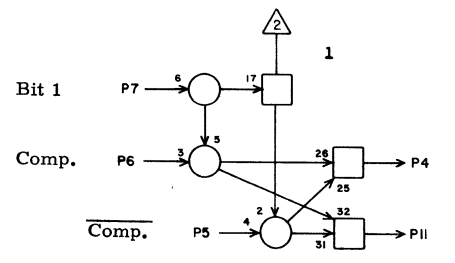
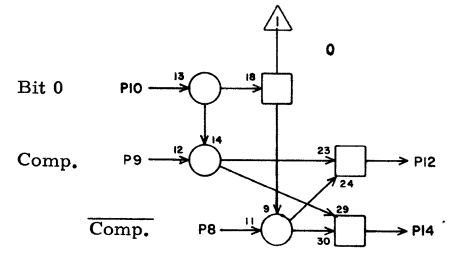


TJ 2F36

1			
2			
3			
4	F21	18	17
5	G25	10	13
6	G25	19	13
7	H36	6	11
8	G25	8	13
9	G25	21	13
10	H35	17	11
11			
12	F21	13	17
13			
14			
15			
16			
17			
18			
19	F21	25	17
20			
21	H36	17	11
22	G25	27	13
23	G25	2	13
24	H36	19	11
25	G25	17	13
26	G25	12	13
27	G31	18	11
28			

JACK PIN LG

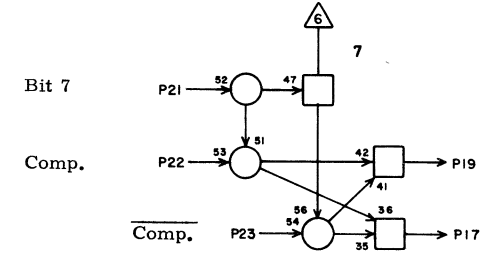
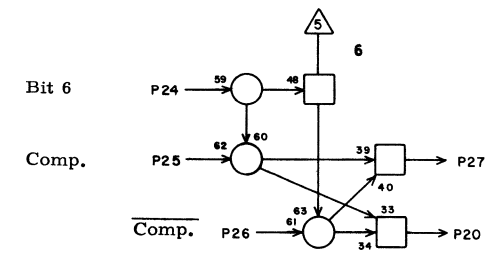
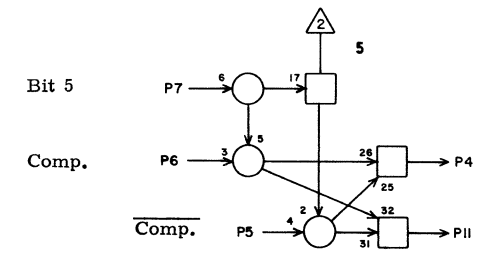
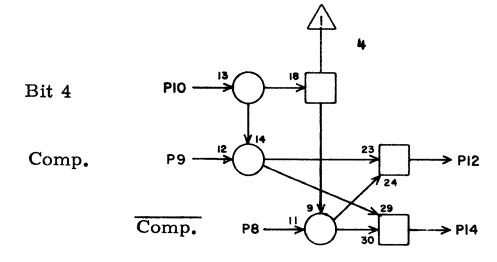
COMPLEMENT MULTIPLY 2 EXPONENT



TJ 2F37

1			
2			
3			
4	F22	5	17
5	G26	7	17
6	G26	23	13
7	B27	9	21
8	G26	15	13
9	G26	25	13
10	B27	8	21
11			
12	F22	6	17
13			
14			
15			
16			
17			
18			
19	F22	22	17
20			
21	B27	19	21
22	G26	24	13
23	G26	4	13
24	B27	12	21
25	G26	26	13
26	G26	6	13
27	F22	7	17
28			
	JACK	PIN	LG

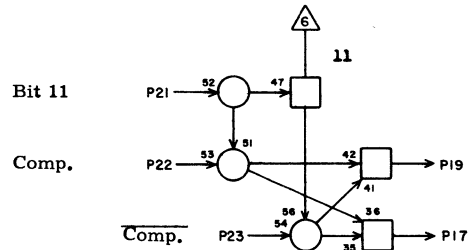
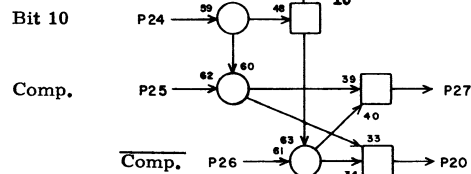
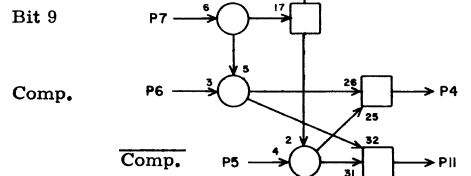
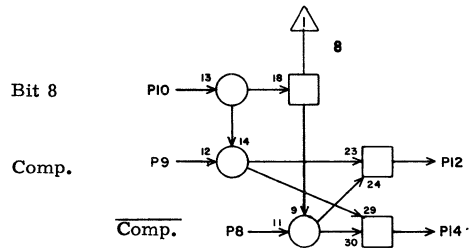
COMPLEMENT MULTIPLY 2 EXPONENT



TJ 2F38

1			
2			
3			
4	F22	23	17
5	G26	11	17
6	G26	20	17
7	B27	21	21
8	G26	9	13
9	G26	22	17
10	B27	18	21
11			
12	F22	24	17
13			
14			
15			
16			
17			
18			
19	F23	5	17
20			
21	B28	9	23
22	G26	28	13
23	G26	1	13
24	B28	8	23
25	G26	18	13
26	G26	13	13
27	F23	6	17
28			
	JACK	PIN	LG

COMPLEMENT MULTIPLY 2 EXPONENT

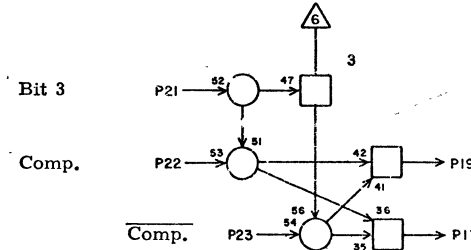
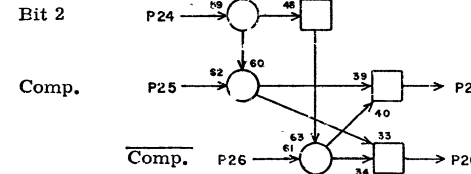
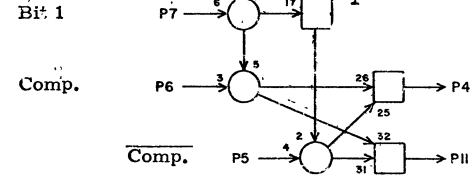
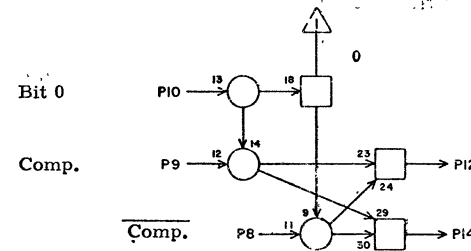


TJ 2F39

1			
2			
3			
4	F23	22	19
5	G26	10	17
6	G26	19	17
7	B28	21	23
8	G26	8	17
9	G26	21	17
10	B28	12	23
11			
12	F23	7	17
13			
14			
15			
16			
17			
18			
19	F23	23	19
20			
21	B28	19	23
22	G26	27	17
23	G26	2	17
24	B28	18	23
25	G26	17	17
26	G26	12	17
27	G31	28	11
28			

JACK PIN LG

COMPLEMENT MULTIPLY 2 EXPONENT -1



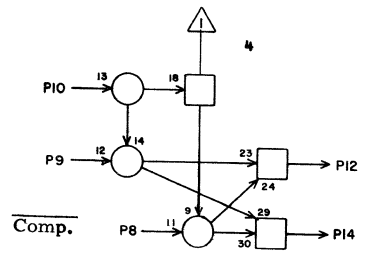
TJ 2F40

1			
2			
3			
4	F22	3	19
5	G27	7	17
6	G27	23	17
7	H38	19	11
8	G27	15	17
9	G27	25	17
10	H38	6	11
11			
12	F22	4	19
13			
14			
15			
16			
17			
18			
19	F22	18	19
20			
21	H39	6	11
22	G27	24	17
23	G27	4	17
24	H38	17	11
25	G27	26	17
26	G27	6	17
27	F22	13	19
28			

JACK PIN LG

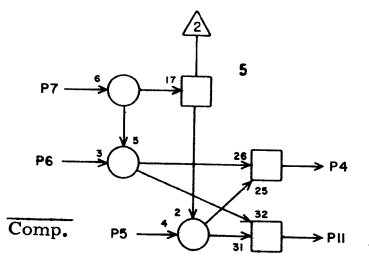
COMPLEMENT MULTIPLY 2 EXPONENT -1

Bit 4



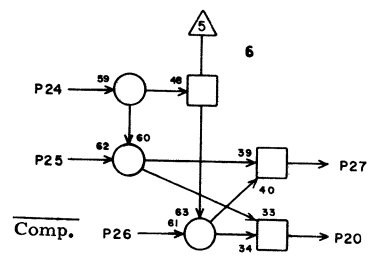
Comp.

Bit 5



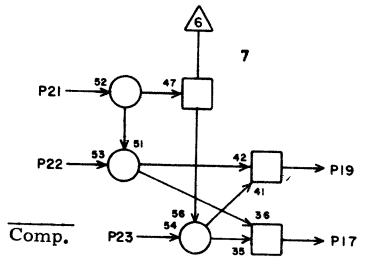
Comp.

Bit 6



Comp.

Bit 7



Comp.

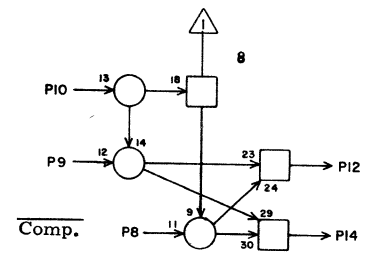
TJ 2F41

1			
2			
3			
4	F22	25	21
5	G27	11	19
6	G27	20	17
7	H39	17	11
8	G27	9	17
9	G27	22	19
10	H39	19	11
11			
12	F22	26	21
13			
14			
15			
16			
17			
18			
19	F23	3	19
20			
21	H40	19	11
22	G27	28	17
23	G27	1	17
24	H40	6	11
25	G27	18	17
26	G27	13	17
27	F23	4	21
28			

JACK PIN LG

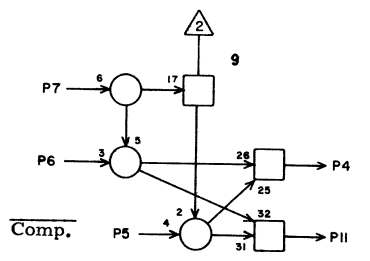
COMPLEMENT MULTIPLY 2 EXPONENT -1

Bit 8



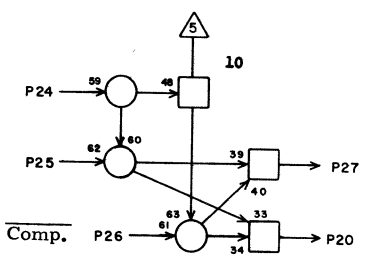
Comp.

Bit 9



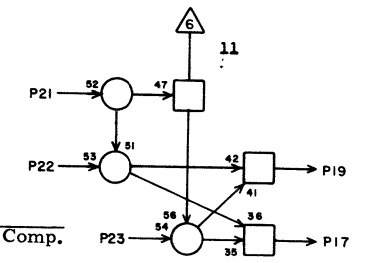
Comp.

Bit 10



Comp.

Bit 11



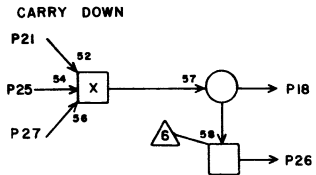
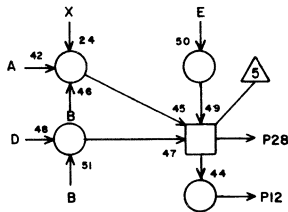
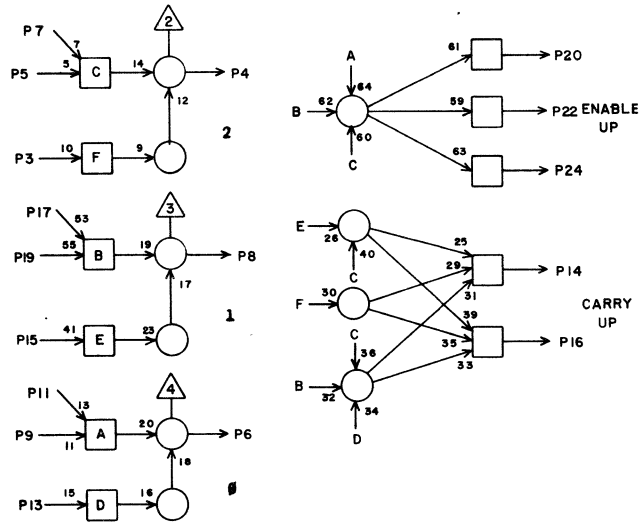
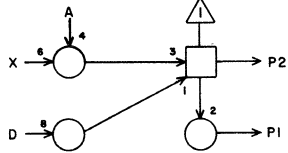
Comp.

TJ 2F42

1			
2			
3			
4	F23	18	21
5	G27	10	19
6	G27	19	19
7	H41	6	11
8	G27	8	19
9	G27	21	19
10	H40	17	11
11			
12	F23	13	21
13			
14			
15			
16			
17			
18			
19	F23	25	21
20			
21	H41	17	11
22	G27	27	17
23	G27	2	19
24	H41	19	11
25	G27	17	17
26	G27	12	17
27	G31	24	13
28			

JACK PIN LG

POP. COUNT SUMMING
NETWORK PASS and CARRIES

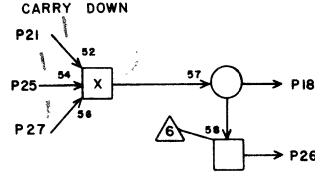
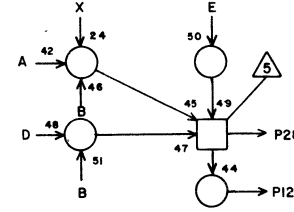
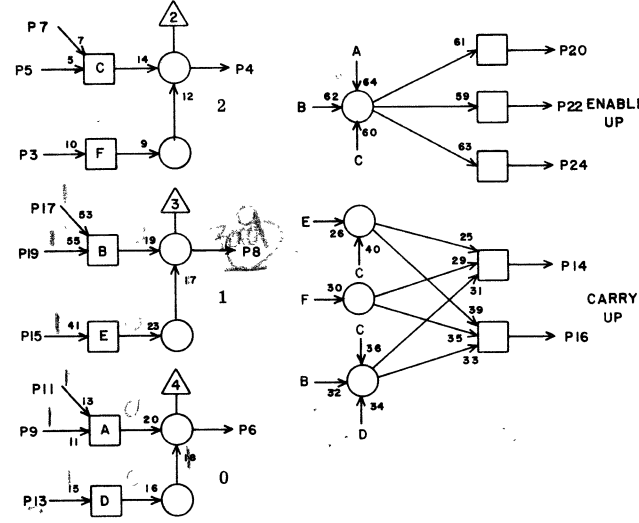
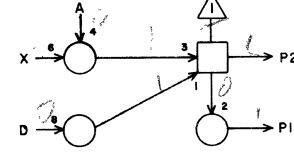


QB 2G01

1	H16	9	17
2	H16	8	19
3	F01	23	7
4	H16	7	19
5	F01	25	7
6	G16	23	17
7	F01	28	7
8	H16	10	17
9	F01	1	7
10			
11	F01	5	7
12	H16	6	17
13	F01	9	7
14	F15	4	17
15	F01	10	7
16			
17	F01	17	7
18			
19	F01	8	7
20			
21			
22			
23			
24			
25			
26			
27			
28	H16	5	17

JACK PIN LG

POP. COUNT SUMMING
NETWORK PASS and CARRIES

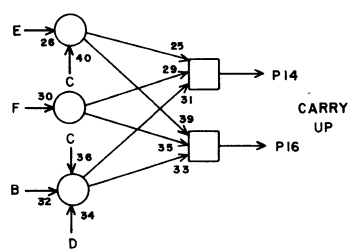
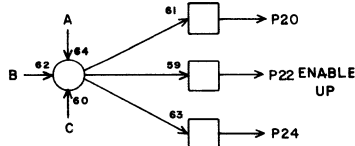
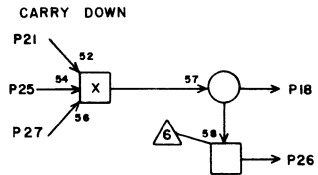
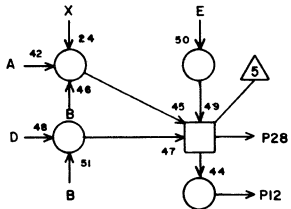
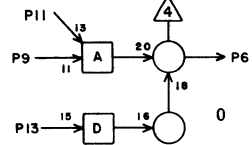
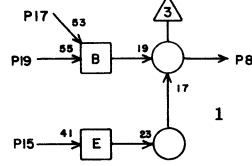
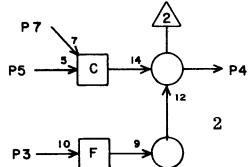
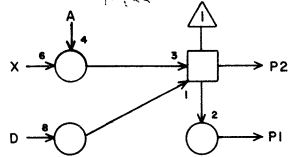


QB 2G02

1	H16	25	17
2	H16	26	17
3	F02	23	7
4	H16	21	17
5	F02	25	7
6	G16	25	17
7	F02	28	7
8	H16	24	17
9	F02	1	7
10			
11	F02	5	7
12	H16	22	17
13	F02	9	7
14	F15	3	17
15	F02	10	7
16			
17	F02	17	7
18			
19	F02	8	7
20			
21			
22			
23			
24			
25			
26			
27			
28	H16	23	17

JACK PIN LG

POP. COUNT SUMMING NETWORK
PASS and CARRIES



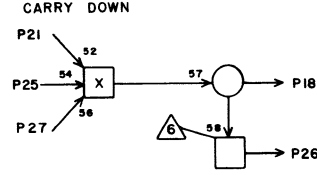
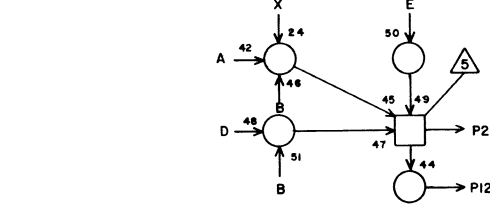
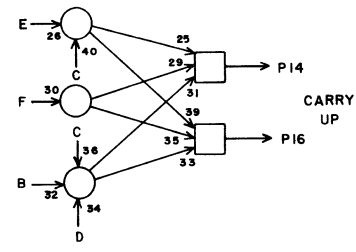
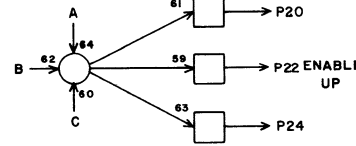
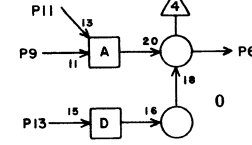
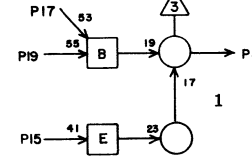
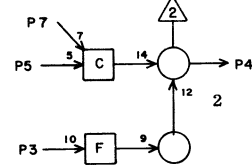
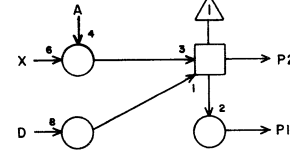
QB 2G03

1	H17	9	17
2	H17	8	17
3	F03	23	7
4	H17	7	17
5	F03	25	7
6	G16	26	17
7	F03	28	7
8	H17	10	17
9	F03	1	7
10			
11	F03	5	7
12	H17	6	17
13	F03	9	7
14	F16	26	17
15	F03	10	7
16			
17	F03	17	7
18			
19	F03	8	7
20			
21			
22			
23			
24			
25			
26			
27			
28	H17	5	17

JACK PIN LG

63019700 Rev. H

POP. COUNT SUMMING NETWORK
PASS and CARRIES



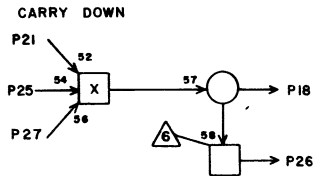
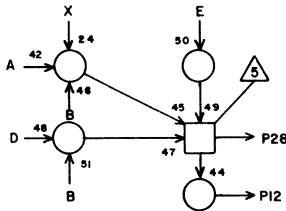
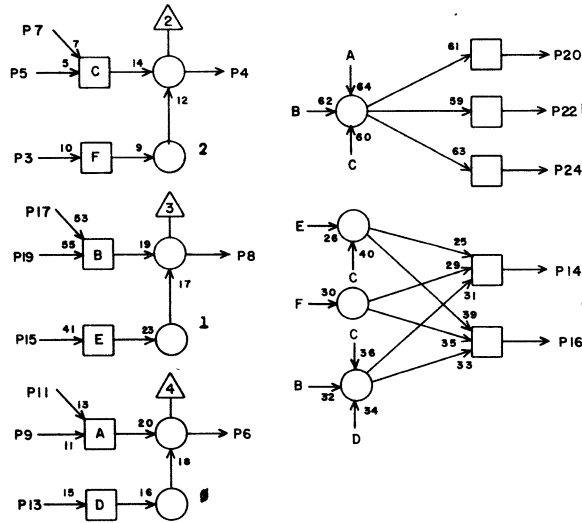
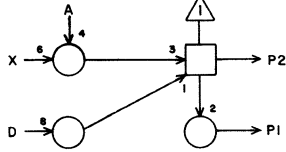
QB 2G04

1	H17	25	17
2	H17	26	17
3	F04	23	7
4	H17	21	17
5	F04	25	7
6	G16	28	17
7	F04	28	7
8	H17	24	17
9	F04	1	7
10			
11	F04	5	7
12	H17	22	17
13	F04	9	7
14	G14	23	13
15	F04	10	7
16			
17	F04	17	7
18			
19	F04	8	7
20			
21			
22			
23			
24			
25			
26			
27			
28	H17	23	17

JACK PIN LG

63019700 Rev. H

POP. COUNT SUMMING NETWORK
PASS and CARRIES

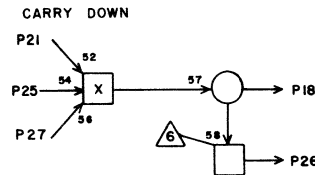
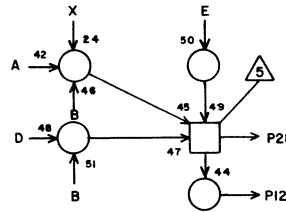
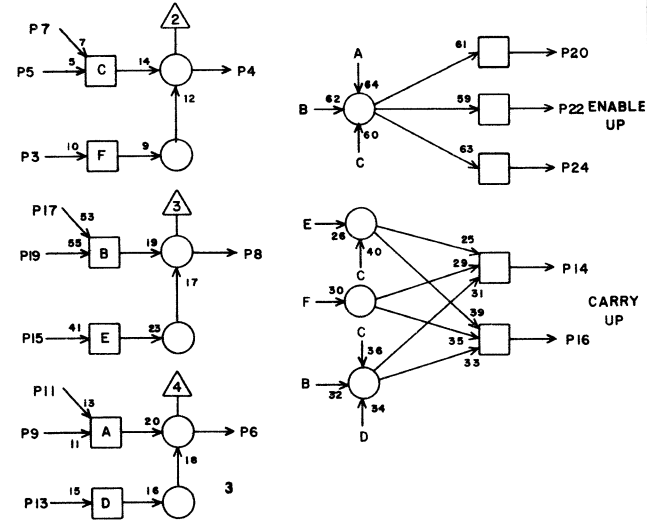
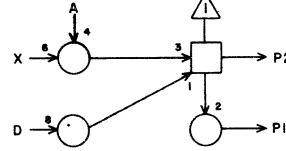


QB 2G05

1	H18	6	17
2	H18	5	17
3	F05	23	7
4	H18	24	17
5	F05	25	7
6	H18	10	17
7	F05	28	7
8	H18	7	17
9	F05	1	7
10			
11	F05	5	7
12	H18	25	17
13	F05	9	7
14	G16	21	17
15	F05	10	7
16			
17	F05	17	7
18	H18	9	17
19	F05	8	7
20			
21		Grd.	2
22			
23			
24			
25		Grd.	2
26	H18	8	17
27		Grd.	2
28	H18	26	17

63019700 Rev. H

POP. COUNT SUMMING NETWORK
PASS and CARRIES



QB 2G06

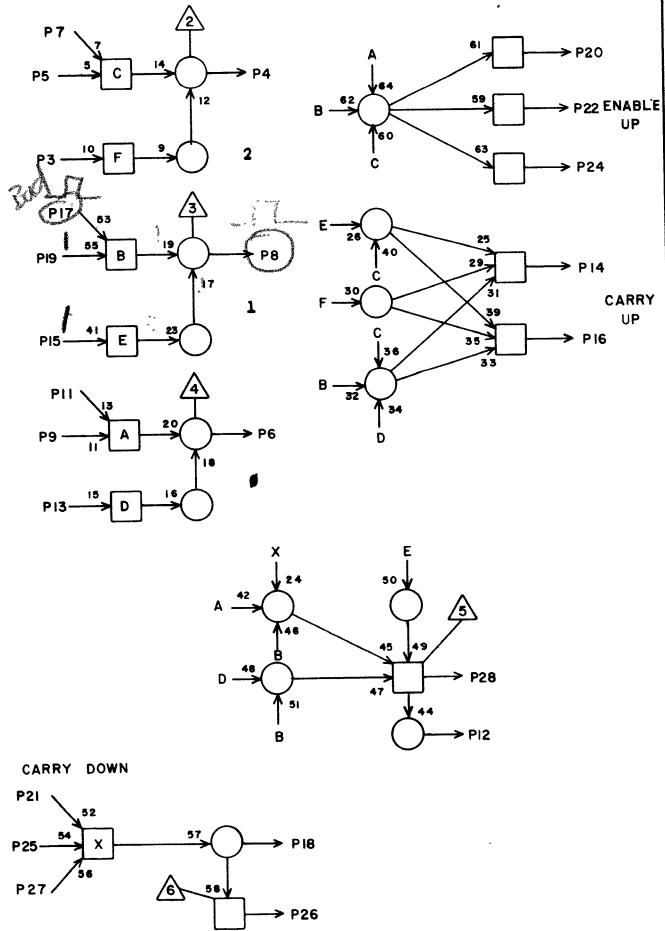
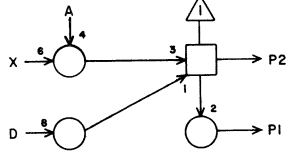
1			
2	F16	17	13
3			
4			
5			
6	H18	21	17
7			
8			
9	F06	1	7
10			
11	F06	5	7
12			
13	F06	9	7
14			
15			
16			
17			
18	H18	22	17
19			
20			
21	G16	19	13
22			
23			
24			
25		Grd.	2
26	H18	23	15
27		Grd.	2
28			

63019700 Rev. H

2G06

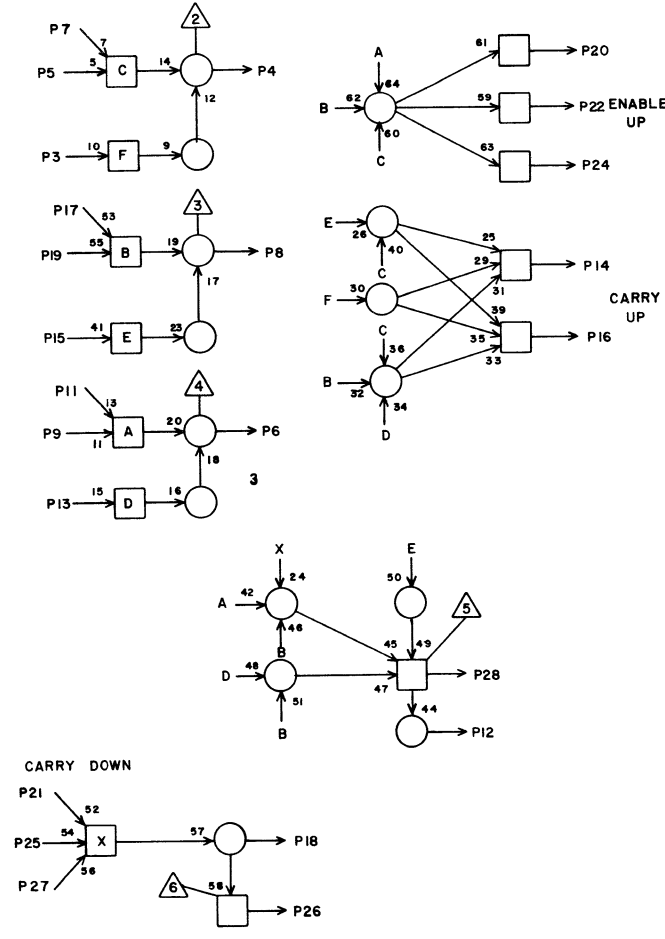
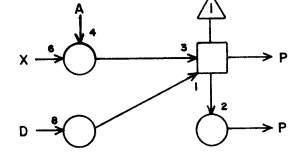
JACK PIN LG

POP. COUNT SUMMING NETWORK
PASS and CARRIES



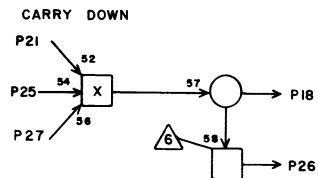
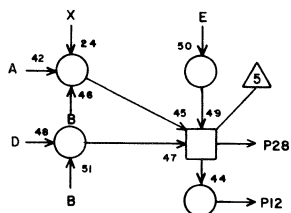
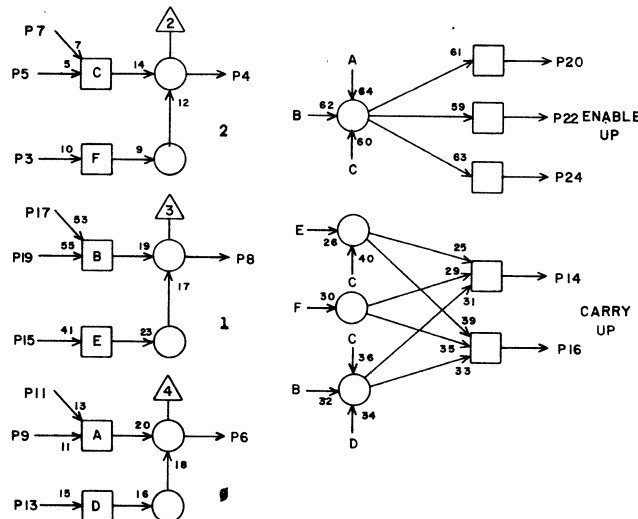
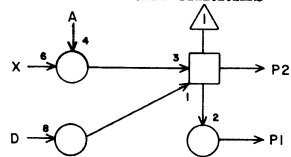
QB		2G07	
1	H19	6	13
2	H19	5	15
3	F07	23	5
4	H19	24	17
5	F07	25	5
6	H19	10	15
7	F07	28	5
8	H19	7	17
9	F07	1	7
10			
11	F07	5	7
12	H19	25	17
13	F07	9	7
14	G19	15	15
15	F07	10	7
16			
17	F07	17	7
18	H19	9	15
19	F07	8	7
20			
21		Grd	2
22			
23			
24			
25		Grd	2
26	H19	8	15
27		Grd	2
28	H19	26	17
	JACK	PIN	LG

POP. COUNT SUMMING NETWORK
PASS and CARRIES



QB		2G08	
1			
2	G14	26	11
3			
4			
5			
6	H19	21	13
7			
8			
9	F08	1	9
10			
11	F08	5	9
12			
13	F08	9	9
14			
15			
16			
17			
18	H19	22	15
19			
20			
21	G19	16	15
22			
23			
24			
25		Grd	2
26	H19	23	15
27		Grd	2
28			
	JACK	PIN	LG

POP. COUNT SUMMING NETWORK
PASS and CARRIES

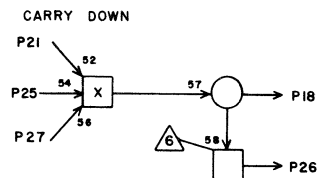
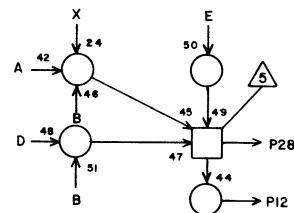
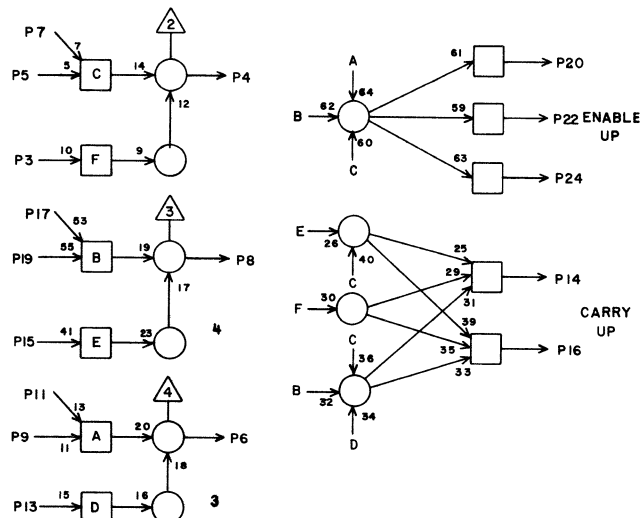
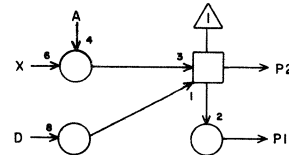


QB 2G09

1	H20	6	15
2	H20	5	15
3	F09	23	5
4	H20	24	15
5	F09	25	5
6	H20	10	15
7	F09	28	5
8	H20	7	15
9	F09	1	9
10			
11	F09	5	9
12	H20	25	15
13	F09	9	9
14	G19	21	13
15	F09	10	9
16			
17	F09	17	7
18	H20	9	15
19	F09	8	9
20			
21		Grd	2
22			
23			
24			
25		Grd	2
26	H20	8	15
27		Grd	2
28	H20	26	15
	JACK	PIN	LG

63019700 Rev. H

POP. COUNT SUMMING NETWORK
PASS and CARRIES



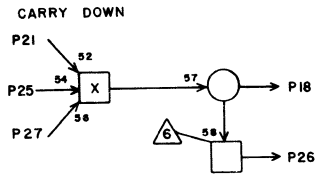
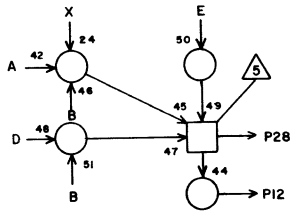
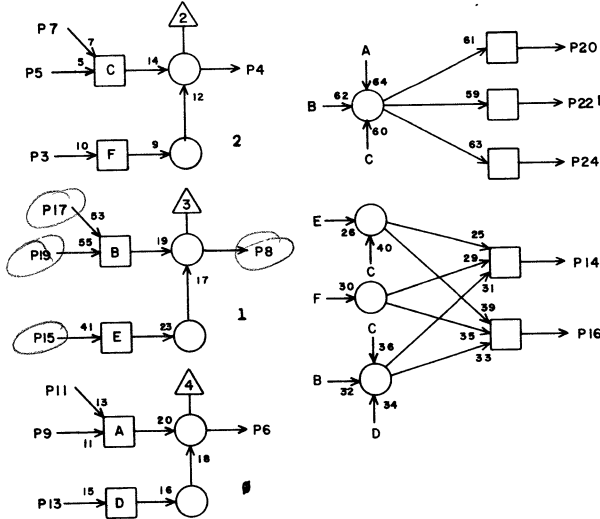
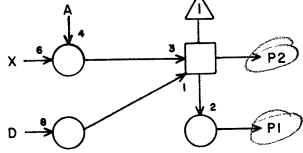
QB 2G10

1	H21	9	15
2	H21	8	15
3			
4			
5			
6	H20	21	15
7			
8	H21	10	15
9	F10	1	9
10			
11	F10	5	9
12			
13	F10	9	9
14			
15	F10	10	9
16			
17	F10	17	9
18	H20	22	15
19	F10	8	9
20			
21	G19	18	13
22			
23			
24			
25		Grd	2
26	H20	23	15
27		Grd	2
28	G14	17	9
	JACK	PIN	LG

63019700 Rev. H

2G10

POP. COUNT SUMMING NETWORK
PASS and CARRIES

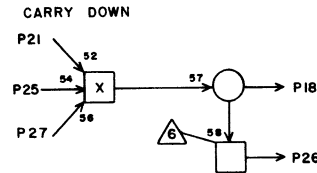
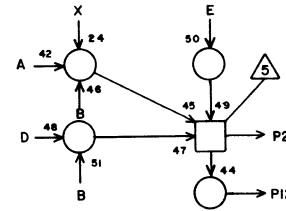
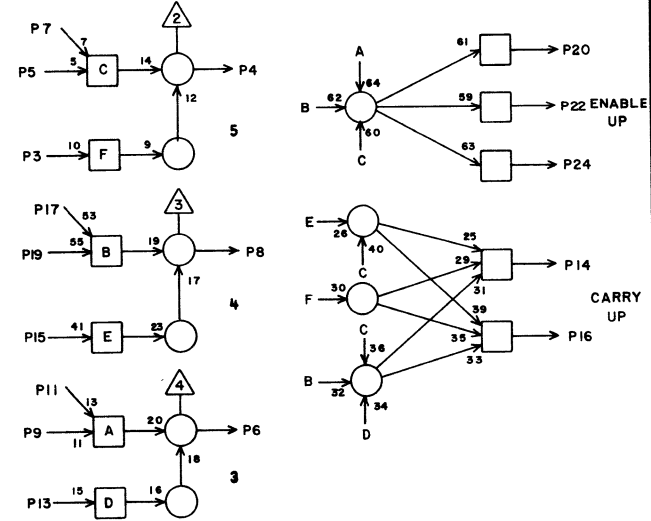
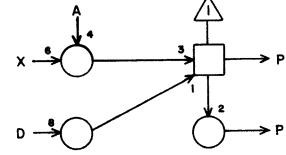


QB 2611

1	H22	6	15
2	H22	5	15
3	F11	23	5
4	H22	24	15
5	F11	25	5
6	H22	10	15
7	F11	28	5
8	H22	7	15
9	F11	1	9
10			
11	F11	5	9
12	H22	25	15
13	F11	9	9
14	G19	1	13
15	F11	10	9
16			
17	F11	17	9
18	H22	9	15
19	F11	8	9
20			
21		Grd	2
22			
23			
24			
25		Grd	2
26	H22	8	15
27		Grd	2
28	H22	26	15
	JACK	PIN	LG

63019700 Rev. H

POP. COUNT SUMMING NETWORK
PASS and CARRIES

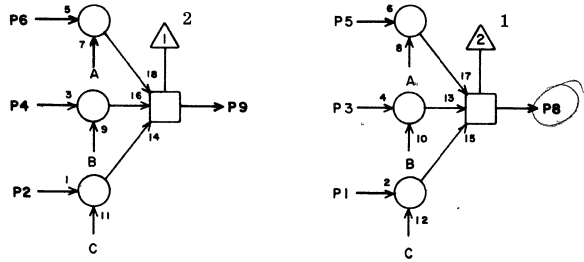


QB 2612

1	H23	6	15
2	H23	5	15
3	F12	23	5
4	H23	24	15
5	F12	25	5
6	H23	10	15
7	F12	28	5
8	H23	7	15
9	F12	1	9
10			
11	F12	5	9
12	H23	25	15
13	F12	9	9
14			
15	F12	10	9
16			
17	F12	17	9
18	H23	9	15
19	F12	8	9
20			
21	G19	13	11
22			
23			
24			
25		Grd	2
26	H23	8	15
27		Grd	2
28	H23	26	15
	JACK	PIN	LG

63019700 Rev. H

POP. COUNT SUMMING
NETWORK INPUT SELECT

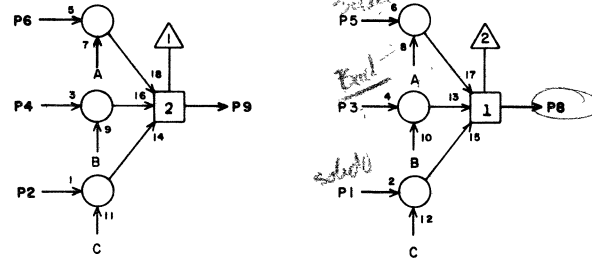


TE **2G13**

1			
2			
3	H22	4	13
4	H22	20	13
5	H15	8	9
6	H15	1	9
7	H15	23	9
8	F11	16	7
9	F11	26	7
10	F11	15	7
11			
12			
13	H22	12	13
14	D18	11	17
15	D20	10	17
16		Grd	2
17			
18	H23	20	13
19	F12	26	9
20	F12	15	9
21	F12	16	9
22	G20	1	11
23	G20	13	11
24	G20	11	11
25	H23	12	13
26	H23	4	13
27			
28			

63019700 Rev. H

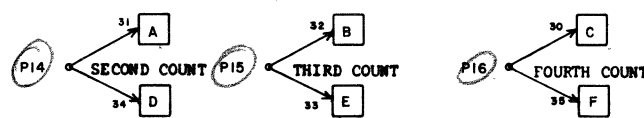
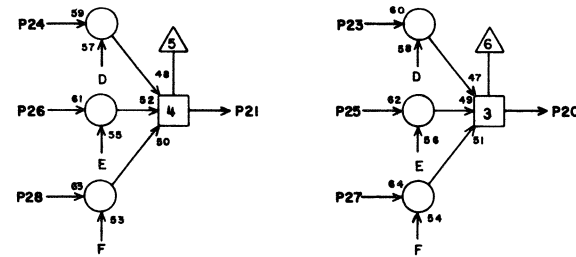
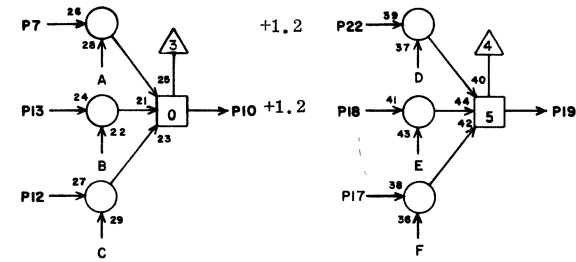
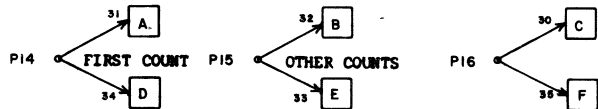
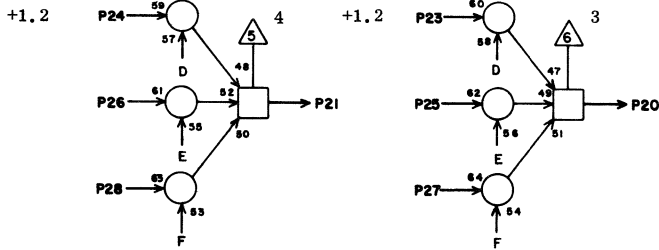
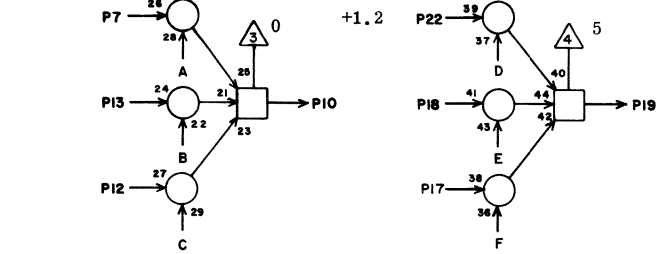
POP. COUNT SUMMING
NETWORK INPUT SELECT



TE **2G14**

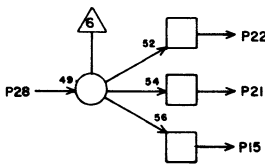
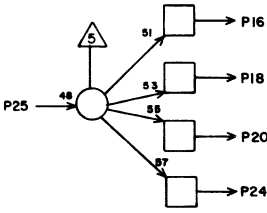
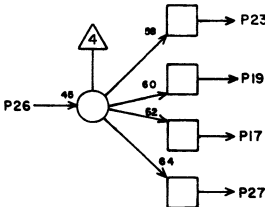
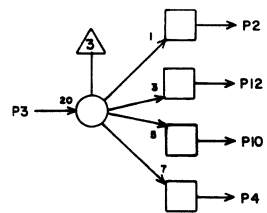
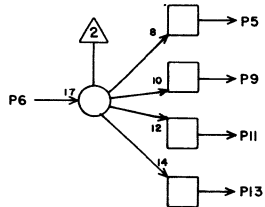
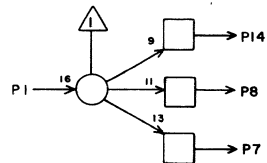
1	H20	11	11
2	H20	27	13
3	H19	11	11
4	H19	27	13
5	H17	20	9
6	H17	17	9
7	G16	20	5
8	F11	12	9
9	F11	27	7
10	F11	11	9
11			
12	H20	14	11
13	H19	14	11
14	D18	22	15
15	D17	7	17
16	D17	25	15
17	G10	28	9
18	G20	2	9
19	F12	27	9
20	F12	11	9
21	F12	12	9
22	G20	12	9
23	G04	14	13
24	G20	25	9
25	H19	19	9
26	G08	2	11
27	H20	19	11
28	H21	14	11

63019700 Rev. H



2G14

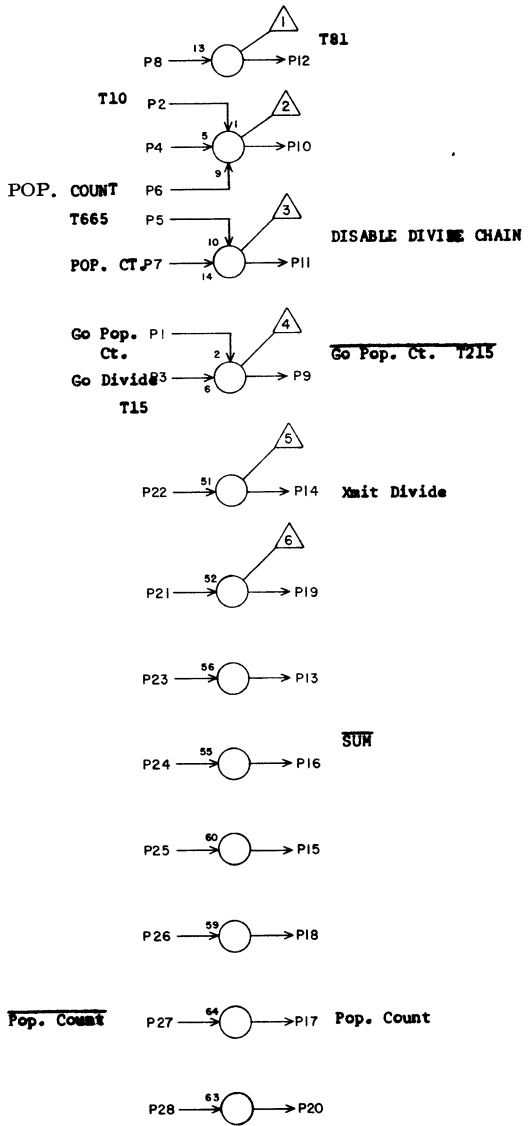
2G16



TM 2G15

1	G16	10	41
2	E06	21	15
3	A35	11	29
4	E09	21	25
5	P14	12	37
6	D21	19	17
7			
8	K02	17	23
9	O08	12	33
10	E08	21	13
11	K42	16	31
12	E07	21	15
13			
14	K01	17	23
15	G36	22	23
16	H32	8	19
17	G32	14	19
18	H32	21	19
19	H32	24	19
20			
21	G16	1	5
22	J22	22	17
23	H32	5	19
24			
25	G31	10	17
26	H27	9	15
27			
28	D27	6	21

JACK PIN LG
63019700 Rev. H

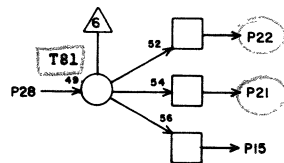
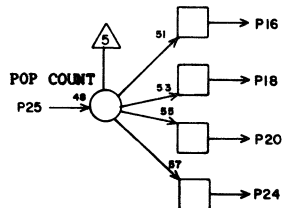
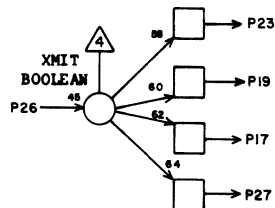
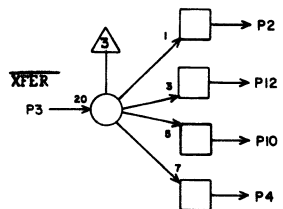
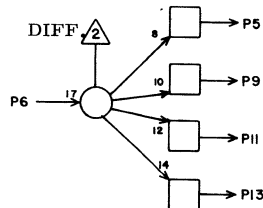
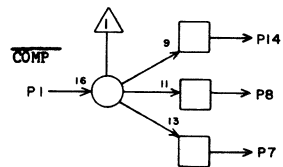


TL

1	G15	21	5
2	J24	7	17
3	I24	23	15
4	G16	14	3
5	D22	27	15
6	G17	18	5
7	G17	16	3
8	J24	15	17
9	I11	14	13
10	G15	1	41
11	D21	9	17
12	G17	28	5
13	F13	13	9
14	G16	4	3
15	F14	13	9
16	G18	23	5
17	G17	25	5
18	F16	13	9
19	G06	21	13
20	G14	7	5
21	G05	14	17
22	L11	21	23
23	G01	6	17
24	J01	9	21
25	G02	6	17
26	G03	6	17
27	J02	14	21
28	G04	6	17

JACK PIN LG

63019700 Rev. H



TH

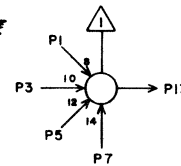
2G17

1	J01	27	23
2	G18	2	3
3	J01	18	23
4			
5	G18	1	5
6	J01	4	23
7	G18	24	5
8	A39	2	33
9	A39	10	33
10			
11			
12	G18	22	5
13			
14			
15			
16	G16	7	3
17			
18	G16	6	5
19	F19	16	7
20	A35	22	29
21	E19	3	13
22	E19	14	13
23	F18	16	9
24	D42	13	29
25	G16	17	5
26	L11	17	23
27			
28	G16	12	5

JACK PIN LG

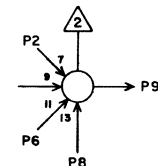
63019700 Rev.H

DIFF

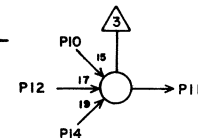


trans

comp P4

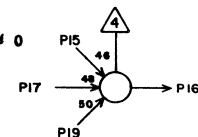


SUM

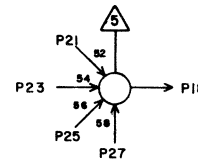


$X_j \neq 0$

$X_k \neq \infty$

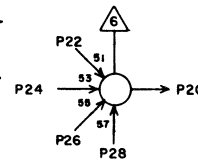


SUM



trans

comp



TI

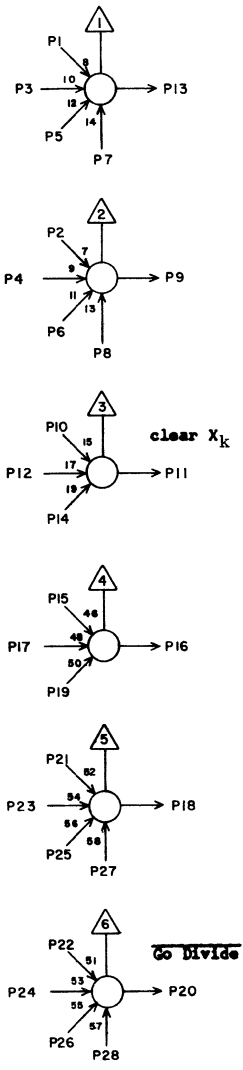
2G18

1	G17	5	5
2	G17	2	3
3	J01	14	23
4	J01	28	23
5			
6			
7			
8			
9	G18	21	5
10	J01	12	23
11	O04	12	35
12	G18	20	3
13	O03	12	35
14			
15	A40	3	33
16	D07	25	19
17	A40	17	33
18	O01	12	37
19			
20	G18	12	3
21	G18	9	5
22	G17	12	5
23	G16	16	5
24	G17	7	5
25			
26			
27			
28			

JACK PIN LG

63019700 Rev.N

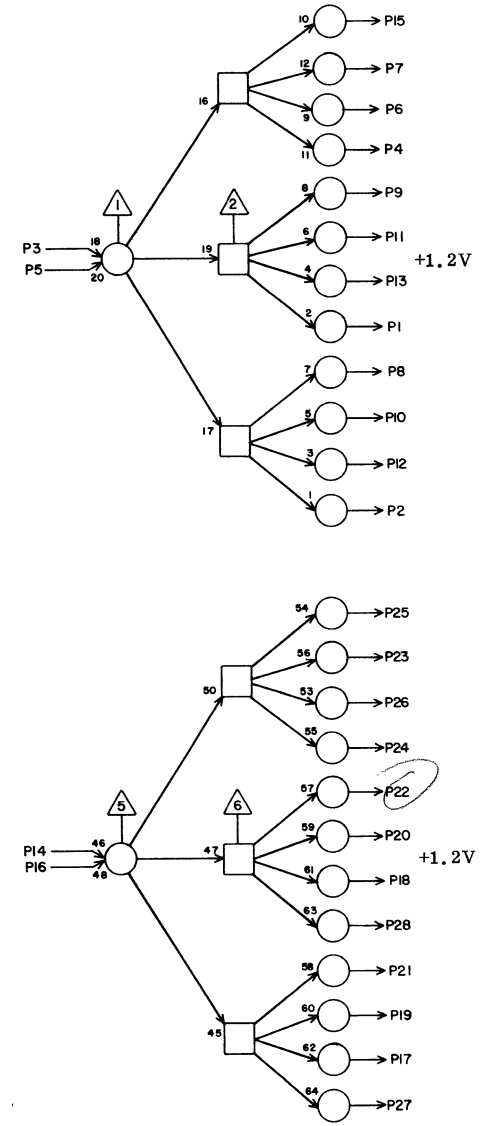
2G18



TI **2G19**

1	G11	14	13
2	L11	7	23
3			
4			
5			
6			
7			
8			
9	J01	15	23
10	D21	3	15
11	O13	12	41
12	J25	7	17
13	G12	21	11
14			
15	G07	14	15
16	G08	21	15
17			
18	G10	21	13
19			
20	D21	8	19
21	G09	14	13
22	L11	1	23
23			
24			
25			
26			
27			
28			

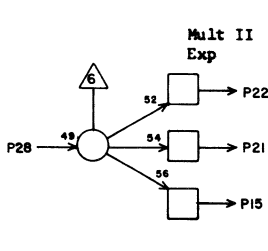
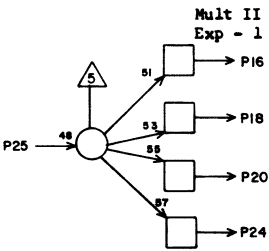
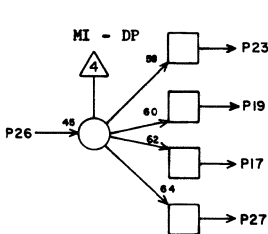
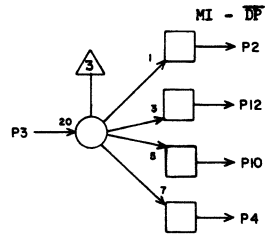
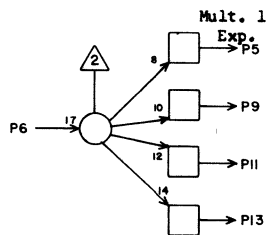
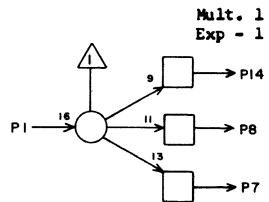
JACK PIN LG



TC **2G20**

1	G13	22	11
2	G14	18	9
3		Grd	2
4	F16	22	7
5		Grd	2
6	F16	18	9
7	F15	6	11
8	F15	22	9
9	F16	24	7
10	F15	24	9
11	G13	24	11
12	G14	22	9
13	G13	23	11
14		Grd	2
15	F15	5	11
16		Grd	2
17	A41	23	33
18	B37	15	29
19	A42	23	33
20	B37	14	29
21	A36	16	31
22	K39	27	27
23	F17	22	7
24	A36	12	31
25	G14	24	9
26	F17	24	7
27	K37	27	25
28	K41	27	27

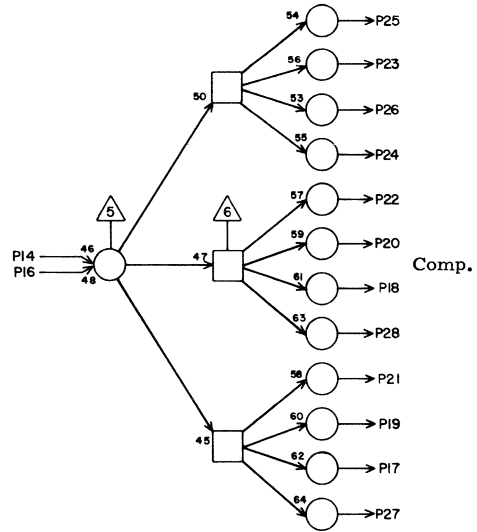
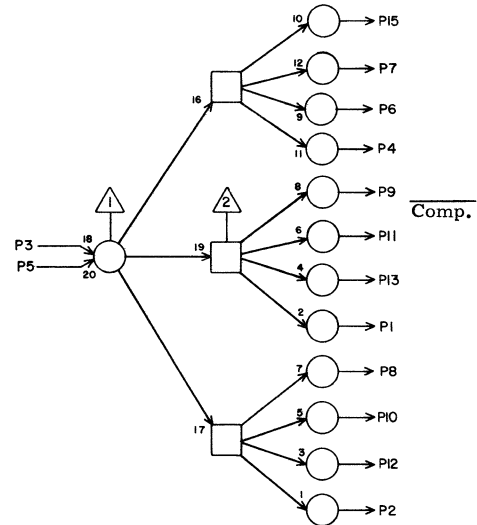
JACK PIN LG



TH			
2G21			
JACK	PIN	LG	
1	Q11	1	41
2	B31	15	25
3	Q12	9	47
4			
5	F20	14	17
6	G36	12	15
7	G36	8	15
8	F21	15	7
9	F21	14	17
10			
11			
12	B32	15	25
13			
14	F20	15	7
15			
16	F22	15	7
17			
18	F23	15	7
19	B32	14	25
20	P16	27	37
21	F23	14	17
22	F22	14	17
23	B31	14	25
24			
25	Q12	1	41
26	Q12	12	41
27			
28	P16	26	35

63019700 Rev. AD

DIVIDE EXPONENT GATING
FANOUTS



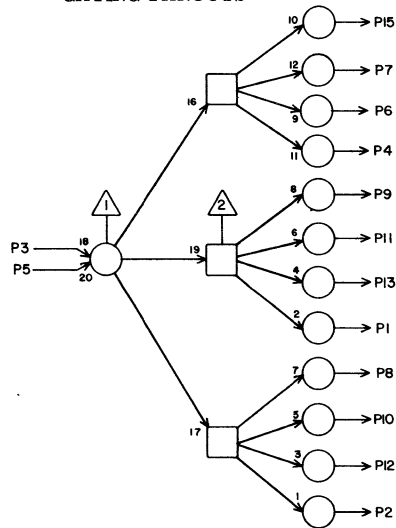
2G22

TC

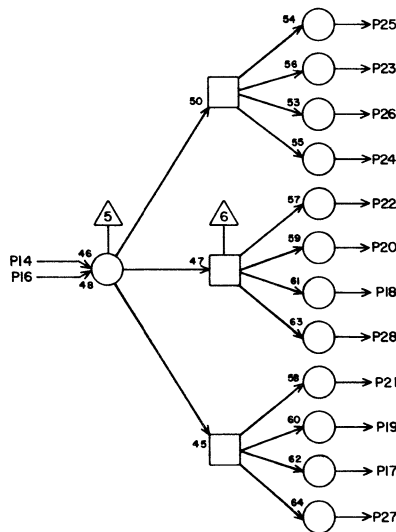
2G22			
JACK	PIN	LG	
1	F26	23	9
2	F27	23	9
3	I42	9	23
4	F25	23	7
5	I32	24	23
6	F25	26	7
7	F25	5	9
8	F27	8	11
9	F26	8	9
10	F27	5	11
11	F26	5	9
12	F27	26	9
13	F26	26	9
14	I42	10	23
15	F25	8	9
16	I32	20	23
17	F27	25	9
18	F26	25	9
19	F27	6	11
20	F26	6	11
21	F27	9	11
22	F26	9	9
23	F25	6	9
24	F25	22	9
25	F25	9	11
26	F25	25	9
27	F27	22	11
28	F26	22	11

63019700 Rev. H

DIVIDE EXPONENT +1
GATING FANOUTS



Comp.



Comp.

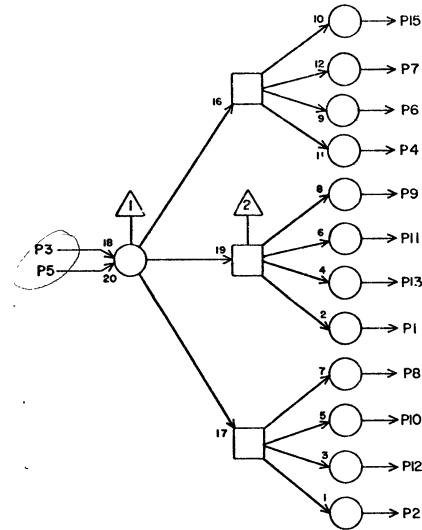
TC **2G23**

1	F29	23	9
2	F30	23	11
3	I42	11	23
4	F28	23	9
5	I32	18	17
6	F28	26	9
7	F28	5	11
8	F30	8	13
9	F29	8	11
10	F30	5	11
11	F29	5	11
12	F30	26	13
13	F29	26	9
14	I42	12	23
15	F28	8	11
16	I32	16	17
17	F30	25	11
18	F29	25	11
19	F30	6	11
20	F29	6	11
21	F30	9	11
22	F29	9	11
23	F28	6	11
24	F28	22	11
25	F28	9	11
26	F28	25	9
27	F30	22	13
28	F29	22	11

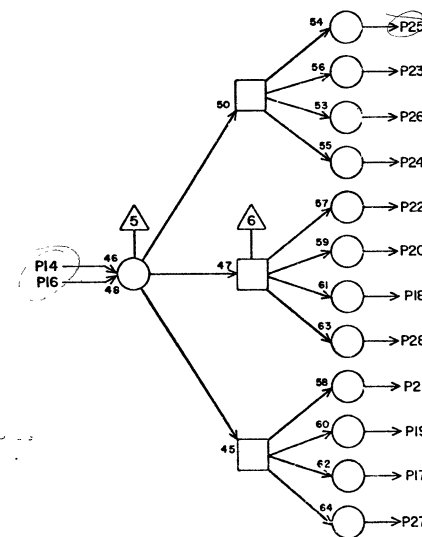
JACK PIN LG

63019700 Rev. H

MULTIPLY 1 EXPONENT
GATING FANOUTS



Comp.



Comp.

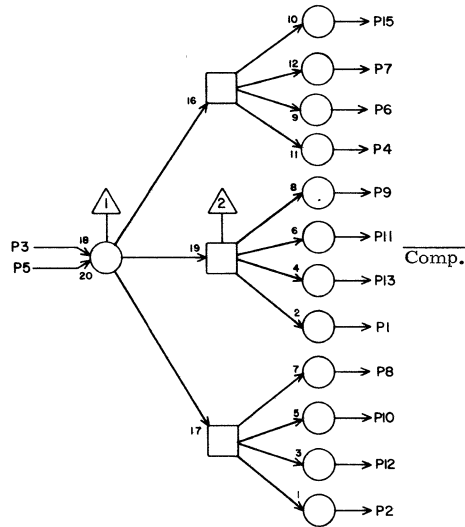
TC **2G24**

1	F32	23	13
2	F33	23	13
3	H32	2	17
4	F31	23	11
5	I42	23	23
6	F31	26	11
7	F31	5	11
8	F33	8	13
9	F32	8	13
10	F33	5	13
11	F32	5	13
12	F33	26	13
13	F32	26	13
14	H32	1	17
15	F31	8	13
16	I42	19	21
17	F33	25	13
18	F32	25	13
19	F33	6	13
20	F32	6	13
21	F33	9	13
22	F32	9	13
23	F31	6	13
24	F31	22	13
25	F31	9	13
26	F31	25	13
27	F33	22	13
28	F32	22	13

JACK PIN LG

63019700 Rev. H

MULTIPLY 1 EXPONENT -1
GATING FANOUTS

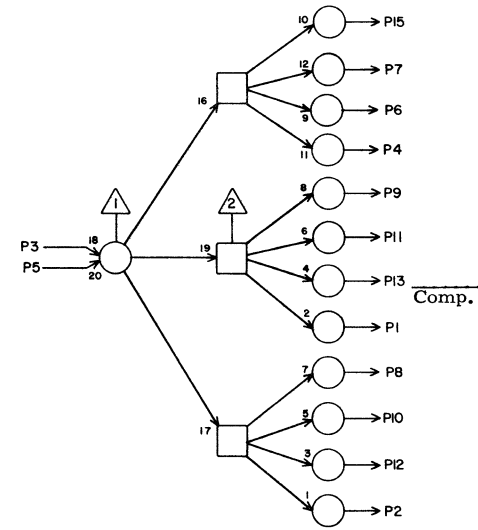


TC		2G25	
1	F35	23	13
2	F36	23	13
3	I32	14	19
4	F34	23	13
5	I42	17	21
6	F34	26	13
7	F34	5	15
8	F36	8	13
9	K35	8	13
10	F36	5	13
11	F35	5	13
12	F36	26	13
13	F35	26	13
14	H32	3	17
15	F34	8	15
16	I42	27	21
17	F36	25	13
18	F35	25	13
19	F36	6	13
20	F35	6	13
21	F36	9	13
22	F35	9	13
23	F34	6	13
24	F34	22	13
25	F34	9	13
26	F34	25	13
27	F36	22	13
28	F35	22	13

JACK PIN LG

63019700 Rev. H

MULTIPLY 2 EXPONENT
GATING FANOUTS



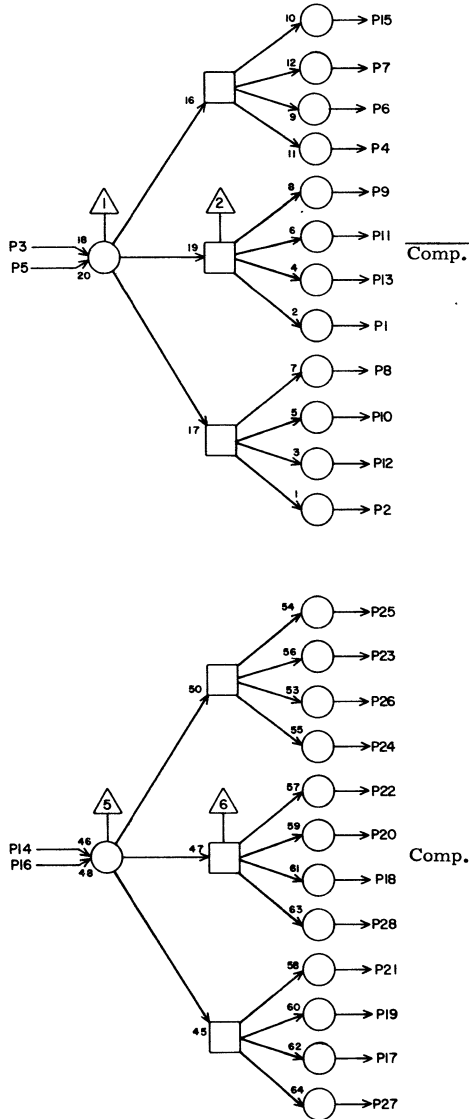
TC		2G26	
1	F38	23	13
2	F39	23	17
3	H32	27	15
4	F37	23	13
5	I42	16	19
6	F37	26	13
7	F37	5	17
8	F39	8	17
9	F38	8	13
10	F39	5	17
11	F38	5	17
12	F39	26	17
13	F38	26	13
14	H32	19	15
15	F37	8	13
16	I42	18	19
17	F39	25	17
18	F38	25	13
19	F39	6	17
20	F38	6	17
21	F39	9	17
22	F38	9	17
23	F37	6	13
24	F37	22	13
25	F37	9	13
26	F37	25	13
27	F39	22	17
28	F38	22	13

JACK PIN LG

2G26

63019700 Rev. H

MULTIPLY 2 EXPONENT -1
GATING FANOUTS

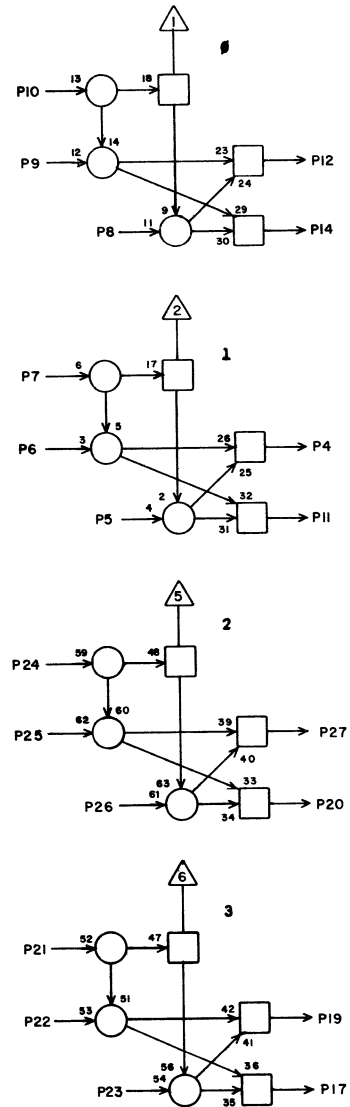


TC		2G27	
1	F41	23	17
2	F42	23	19
3	I32	5	15
4	F40	23	17
5	I42	20	19
6	F40	26	17
7	F40	5	17
8	F42	8	19
9	F41	8	17
10	F42	5	19
11	F41	5	19
12	F42	26	17
13	F41	26	17
14	H32	17	13
15	F40	8	17
16	I42	24	19
17	F42	25	17
18	F41	25	17
19	F42	6	19
20	F41	6	17
21	F42	9	19
22	F41	9	19
23	F40	6	17
24	F40	22	17
25	F40	9	17
26	F40	25	17
27	F42	22	17
28	F41	22	17
	JACK	PIN	LG

63019700 Rev. H

DIVIDE EXPONENT

$$X_j - X_k$$



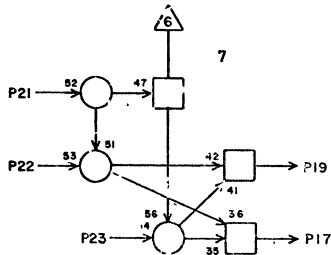
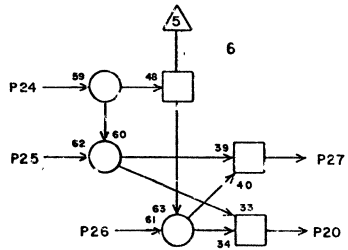
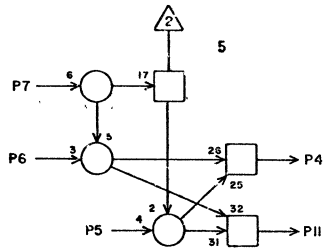
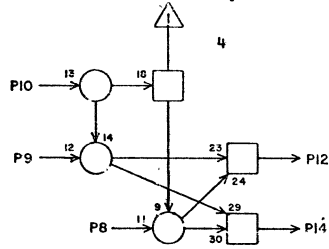
TJ

2G28

1			
2			
3			
4	D29	17	17
5	I28	1	13
6	I28	2	13
7	I28	8	13
8	I28	18	13
9	I28	26	13
10	I28	6	13
11			
12	D29	11	17
13			
14			
15			
16			
17			
18			
19	D30	11	15
20			
21	I29	6	11
22	I29	26	13
23	I29	18	11
24	I28	4	11
25	I28	28	13
26	I28	12	11
27	D29	7	17
28			
	JACK	PIN	LG

63019700 Rev. H

DIVIDE EXPONENT $X_j - X_k$



TJ

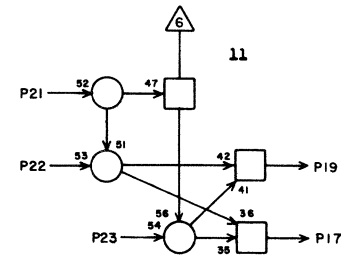
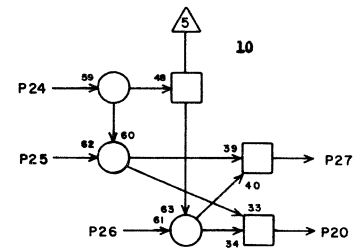
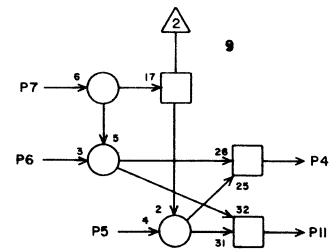
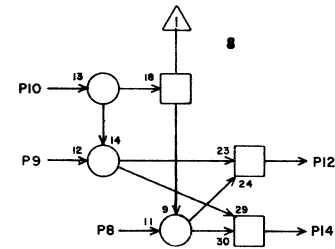
2G29

1			
2			
3			
4	D30	3	15
5	I29	12	13
6	I29	28	13
7	I29	4	11
8	I29	1	11
9	I29	2	11
10	I29	8	13
11			
12	D30	15	15
13			
14			
15			
16			
17			
18			
19	D31	17	15
20			
21	I30	8	11
22	I30	2	11
23	I30	1	11
24	I30	6	11
25	I30	26	13
26	I30	18	11
27	D31	11	17
28			

JACK PIN LG

63019700 Rev. H

DIVIDE EXPONENT $X_j - X_k$



TJ

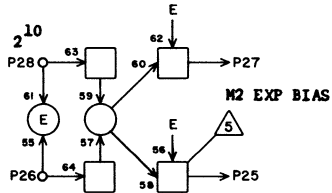
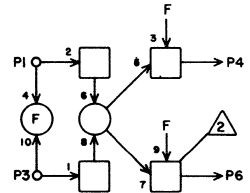
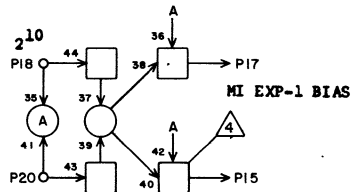
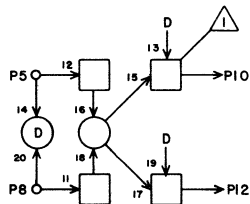
2G30

1			
2			
3			
4	D32	11	15
5	I31	18	13
6	I31	26	13
7	I31	6	13
8	I30	12	13
9	I30	28	13
10	I30	4	11
11			
12	D31	7	15
13			
14			
15			
16			
17	A31	3	27
18			
19	D32	7	17
20			
21	I31	4	11
22	I31	28	13
23	I31	12	11
24	I31	8	11
25	I31	2	9
26	I31	1	9
27	D32	17	17
28			

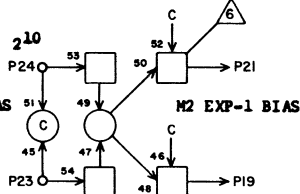
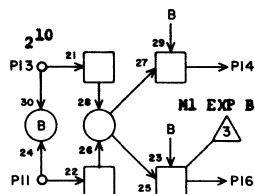
JACK PIN LG

2G30

63019700 Rev. H



M2 = OF + ∞



M1 = OF + ∞

M2 = OF + ∞

AB

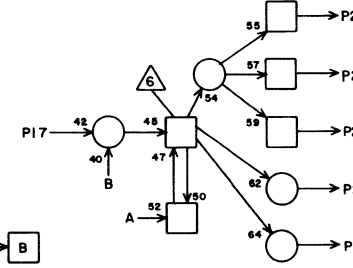
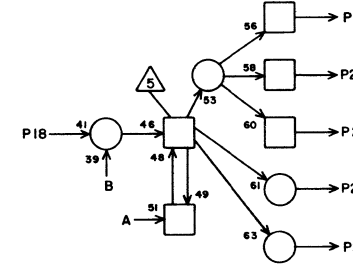
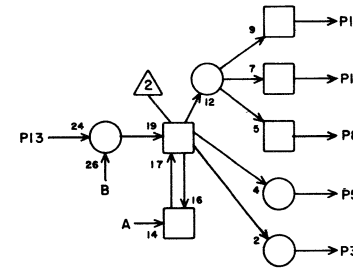
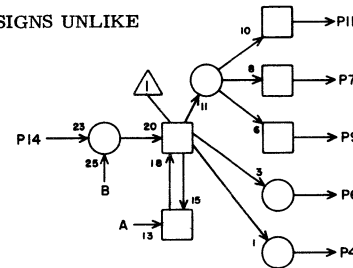
2G31

1			
2			
3			
4			
5	E33	26	11
6			
7			
8	E36	26	11
9			
10	G15	25	17
11	B35	6	25
12	H27	2	11
13	F33	27	5
14	F21	24	13
15			
16			
17	F21	26	13
18	F36	27	11
19			
20	B35	8	25
21	F23	26	13
22			
23	B35	18	25
24	F42	27	13
25			
26	B35	16	25
27	F23	24	13
28	F39	27	11

JACK PIN LG

63019700 Rev. H

SIGNS UNLIKE



PD

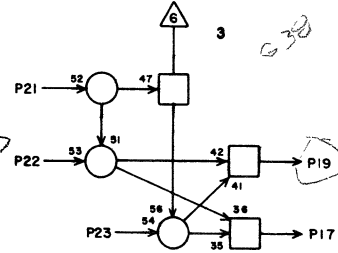
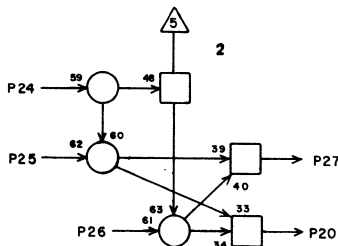
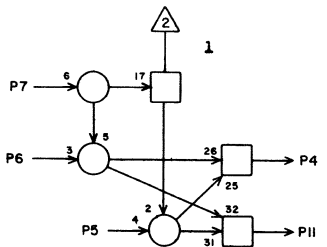
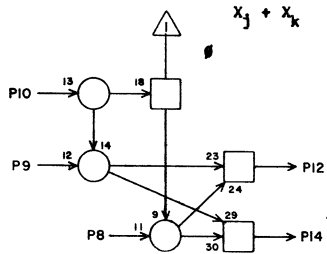
2G32

1			
2			
3			
4	J42	10	19
5			
6	G36	2	7
7	D16	2	21
8			
9	F24	24	9
10			
11	H27	22	11
12			
13			
14	G15	17	19
15			
16	G37	19	9
17			
18			
19			
20			
21			
22			
23			
24			
25			
26			
27			
28			

JACK PIN LG

63019700 Rev. AE

MULT. 1 EXP.



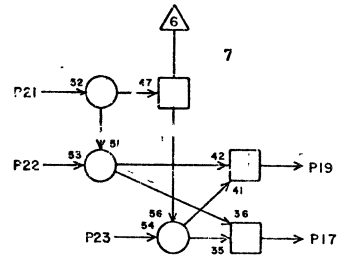
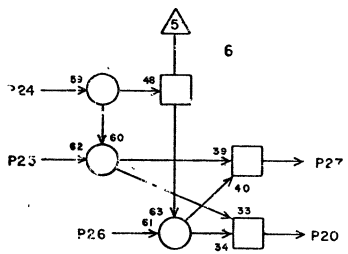
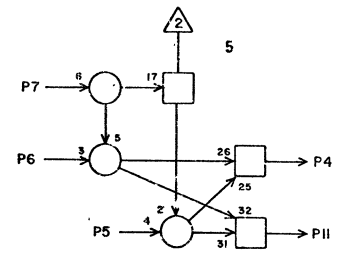
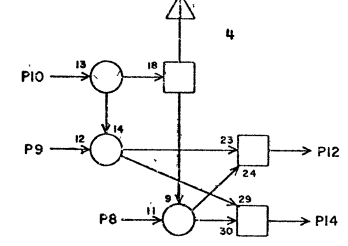
I34/6

TJ 2G33

1			
2			
3			
4	D33	15	17
5	I33	1	11
6	I33	2	11
7	I33	8	11
8	I33	18	13
9	I33	26	13
10	I33	6	11
11	B29	5	25
12	D33	13	17
13			
14	B29	6	25
15			
16			
17	B29	22	25
18			
19	D34	13	15
20	B29	7	25
21	I34	6	11
22	I34	26	13
23	I34	18	11
24	I33	4	11
25	I33	28	13
26	I33	12	11
27	D33	3	17
28			

JACK PIN LG

MULTIPLY 1 EXPONENT $X_j + X_k$

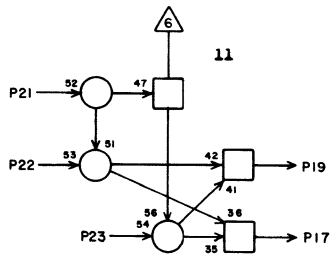
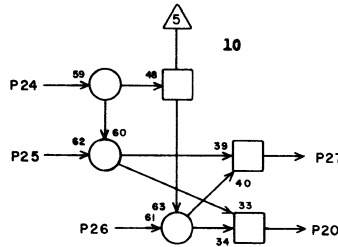
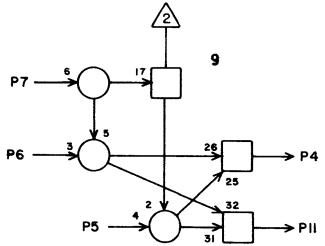
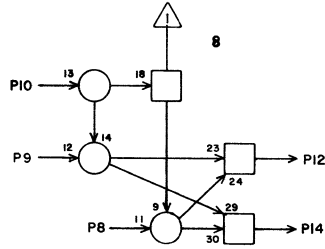


TJ 2G34

1			
2			
3			
4	D34	7	15
5	I34	12	13
6	I34	28	13
7	I34	4	11
8	I34	1	11
9	I34	2	11
10	I34	8	11
11	B29	23	25
12	D34	17	15
13			
14	B29	24	25
15			
16			
17	B30	5	23
18			
19	D35	15	17
20	B30	6	23
21	I35	8	11
22	I35	2	11
23	I35	1	11
24	I35	6	11
25	I35	26	13
26	I35	18	11
27	D35	13	17
28			

JACK PIN LG

MULTIPLY 1 EXPONENT $X_j + X_k$



TJ **2635**

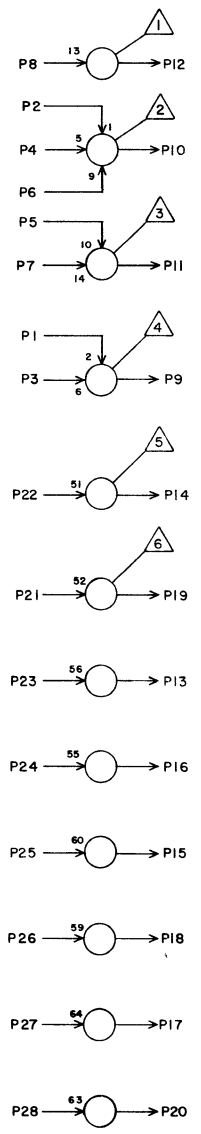
1			
2			
3			
4	D36	13	15
5	I36	18	11
6	I36	26	13
7	I36	6	11
8	I35	12	13
9	I35	28	13
10	I35	4	11
11	B30	22	23
12	D35	3	15
13			
14	B30	7	23
15			
16			
17	A31	1	27
18			
19	D36	3	17
20	B30	24	23
21	I36	4	11
22	I36	28	13
23	I36	12	13
24	I36	8	11
25	I36	2	11
26	I36	1	11
27	D36	15	17
28			

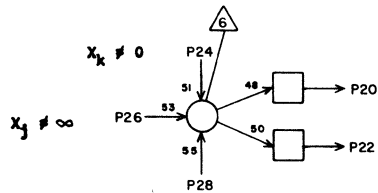
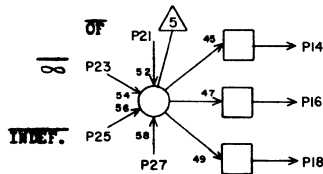
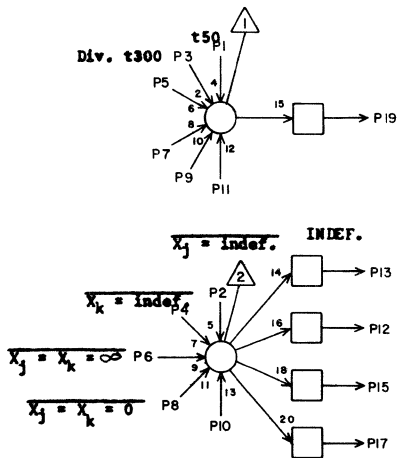
JACK PIN LG

TL **2636**

1	E20	23	19
2	G32	6	7
3			
4	H25	14	15
5	K18	27	27
6	H25	5	15
7			
8	G21	7	15
9	H42	26	11
10	I42	6	13
11	A38	15	33
12	G21	6	15
13	E23	17	17
14	A37	18	27
15	H27	26	13
16	H25	6	13
17	P20	15	41
18	A35	4	29
19	E25	9	17
20	D29	21	13
21	E36	20	13
22	G15	15	23
23	E24	15	17
24	H24	15	15
25	H24	17	15
26	D18	1	23
27	D18	10	27
28	D32	14	17

JACK PIN LG





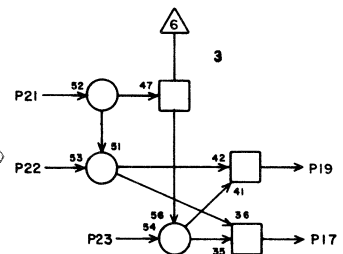
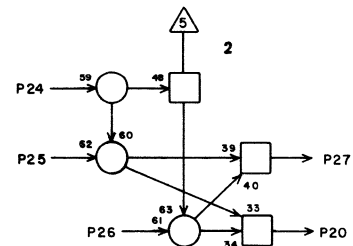
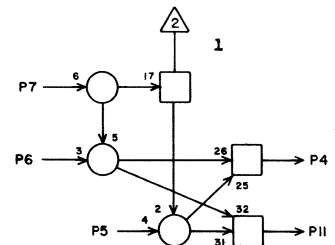
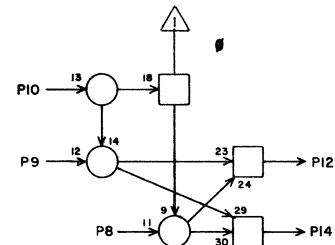
TB 2G37

1	J25	11	19
2	A40	27	25
3	D20	14	21
4	A40	28	25
5			
6	B37	8	23
7			
8	B37	9	23
9			
10	H37	16	11
11			
12	H24	28	13
13	I42	1	13
14			
15	B36	26	23
16	J23	8	19
17	D16	8	27
18	D10	2	29
19	G32	16	9
20	L37	12	19
21	D42	22	17
22	L36	12	19
23	J23	14	19
24	H26	28	70*
25	I42	14	13
26			
27			
28			

JACK PIN LG

63019700 Rev. N

MULT. 2 EXP. $x_j + x_k$



2G38

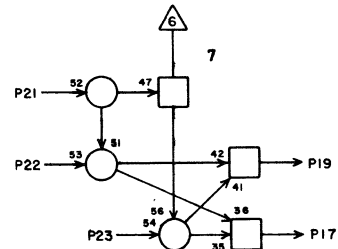
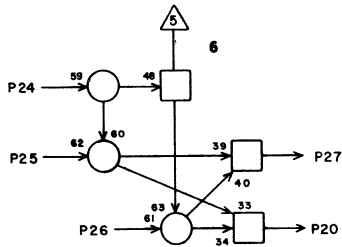
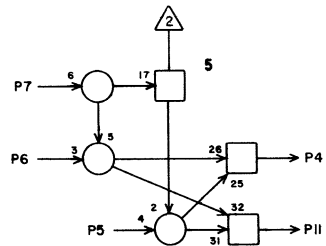
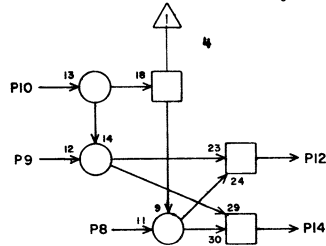
TJ 2G38

1			
2			
3			
4	D37	15	15
5	I38	1	13
6	I38	2	13
7	I38	8	13
8	I38	18	13
9	I38	26	13
10	I38	6	13
11	B31	5	25
12	D37	13	15
13			
14	B31	6	25
15			
16			
17	B31	22	25
18			
19	D38	13	17
20	B31	7	25
21	I39	6	11
22	I39	26	13
23	I39	18	11
24	I38	4	11
25	I38	28	13
26	I38	12	11
27	D37	3	17
28			

JACK PIN LG

63019700 Rev. H

MULTIPLY 2 EXPONENT $X_j + X_k$



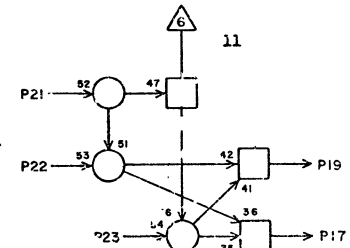
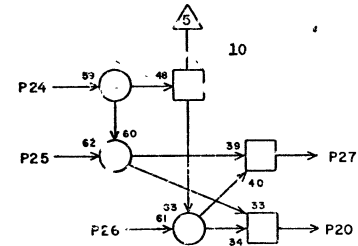
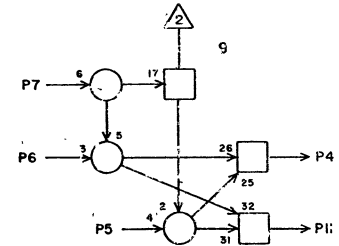
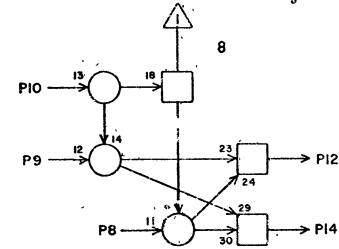
TJ 2639

1			
2			
3			
4	D38	7	15
5	I39	12	13
6	I39	28	13
7	I39	4	13
8	I39	1	11
9	I39	2	11
10	I39	8	11
11	B31	23	25
12	D38	17	17
13			
14	B31	24	25
15			
16			
17	B32	5	25
18			
19	D39	15	15
20	B32	6	25
21	I40	8	11
22	I40	2	11
23	I40	1	11
24	I40	6	11
25	I40	26	13
26	I40	18	11
27	D39	13	15
28			

JACK PIN LG

63019700 Rev. H

MULTIPLY 2 EXPONENT $X_j + X_k$

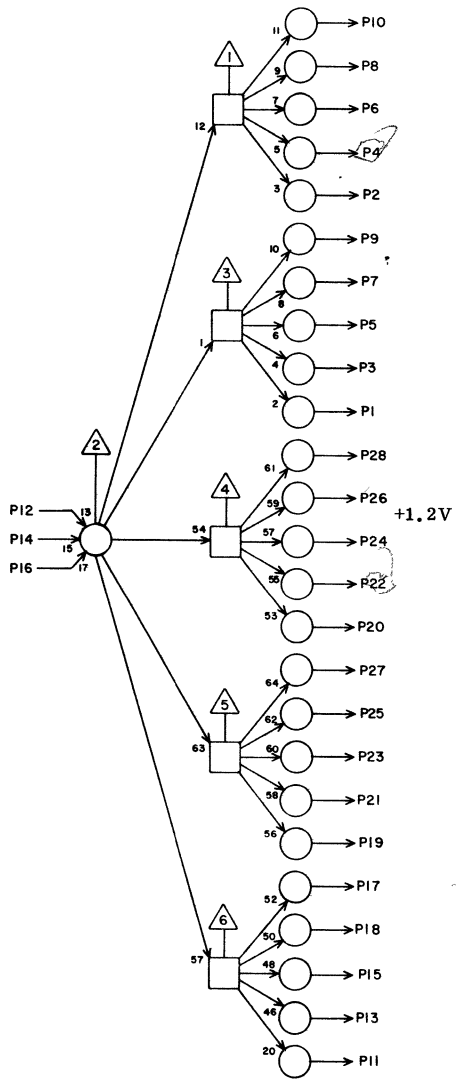


TJ 2640

1			
2			
3			
4	D40	13	15
5	I41	18	13
6	I41	26	13
7	I41	6	11
8	I40	12	13
9	I40	28	13
10	I40	4	11
11	B32	22	23
12	D39	3	15
13			
14	B32	7	25
15			
16			
17	A31	6	27
18			
19	D40	3	17
20	B32	24	23
21	I41	4	11
22	I41	28	13
23	I41	12	11
24	I41	8	11
25	I41	2	9
26	I41	1	9
27	D40	15	17
28			

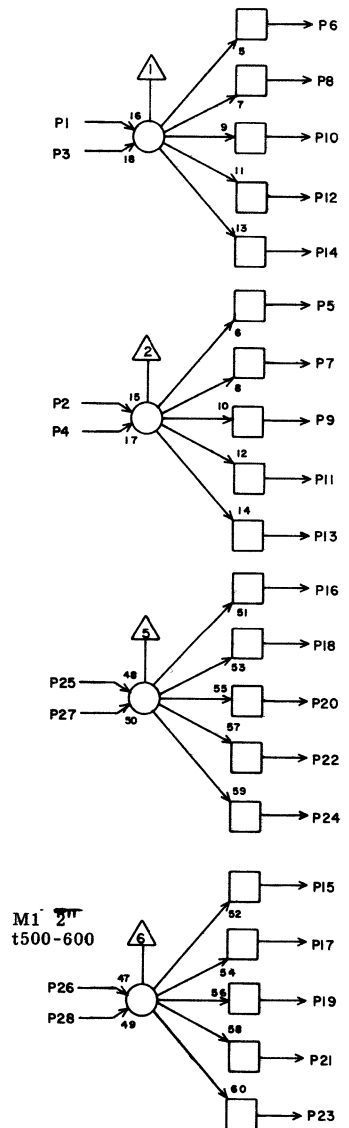
JACK PIN LG

63019700 Rev. H



CA			
	2G41		
	JACK	PIN	LG
1	D36	5	15
2	D35	9	17
3	D36	19	15
4	D34	9	17
5	D36	9	15
6	D33	5	17
7	D35	5	17
8	D33	19	17
9	D35	19	17
10	D33	9	17
11	J42	25	23
12		Grd	2
13	K39	20	19
14		Grd	2
15	K37	20	19
16		Grd	2
17	J41	25	23
18	K41	20	19
19	D40	5	17
20	D39	9	15
21	D40	19	17
22	D38	9	17
23	D40	9	17
24	D37	5	17
25	D39	5	15
26	D37	19	15
27	D39	19	15
28	D37	9	17

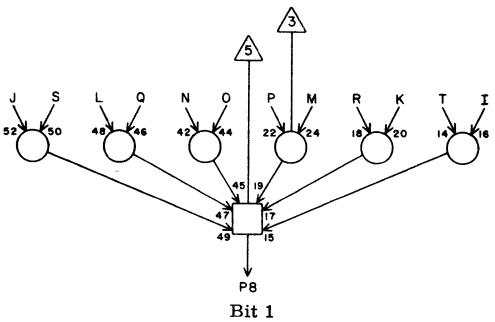
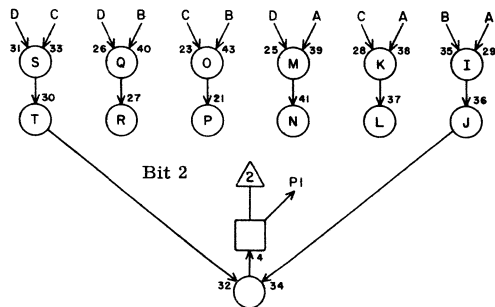
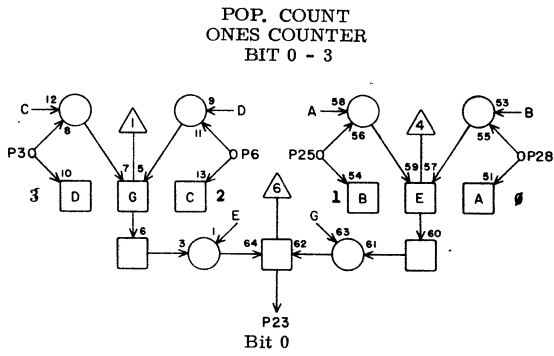
63019700 Rev. H



2G42

T D			
	2G42		
	JACK	PIN	LG
1	E20	11	25
2			
3	A32	3	27
4			
5			
6	D16	1	31
7			
8	A32	4	29
9			
10	J42	21	13
11			
12			
13			
14			
15	J03	11	41
16	J23	24	23
17			
18	A32	20	27
19			
20	J42	22	13
21			
22			
23			
24			
25	E21	11	25
26	E03	10	25
27	A32	28	27
28	E17	3	47

63019700 Rev. AD

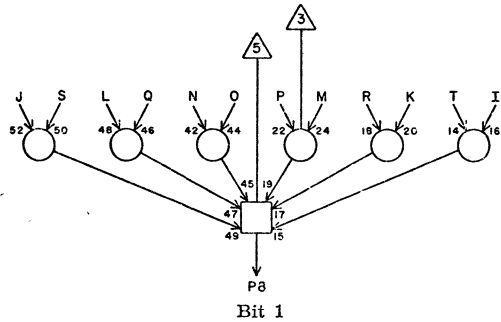
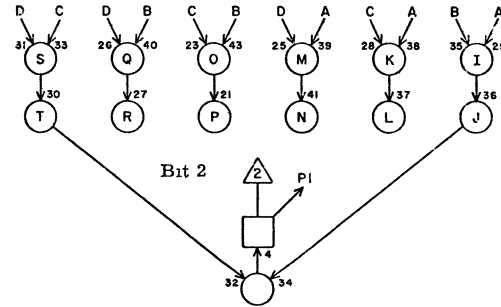
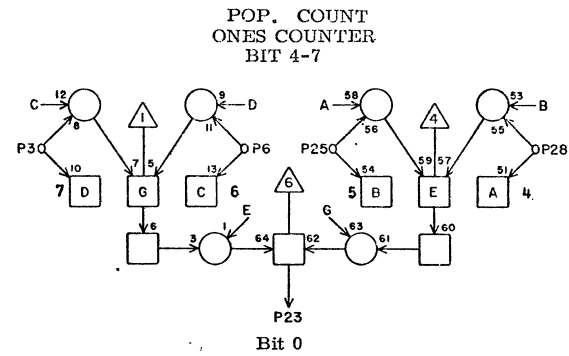


KD 2H01

1	F01	27	9
2			
3	I01	20	9
4			
5			
6	I01	8	9
7			
8	F01	12	11
9			
10			
11			
12			
13			
14			
15			
16			
17			
18			
19			
20			
21			
22			
23	F01	11	11
24			
25	I01	5	7
26			
27			
28	I01	2	5

JACK PIN LC

63019700 Rev. H



KD 2H02

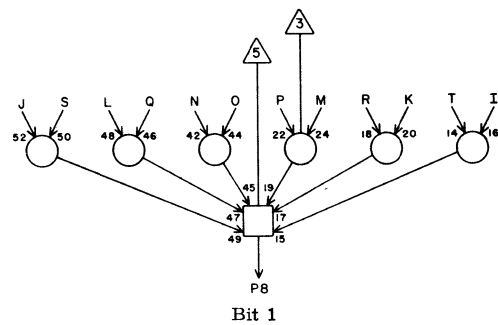
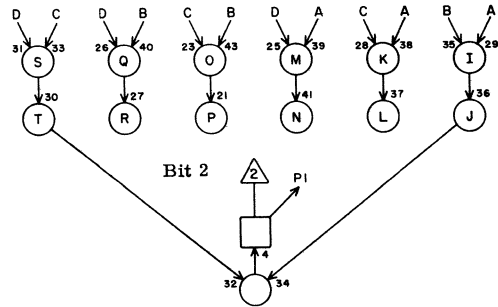
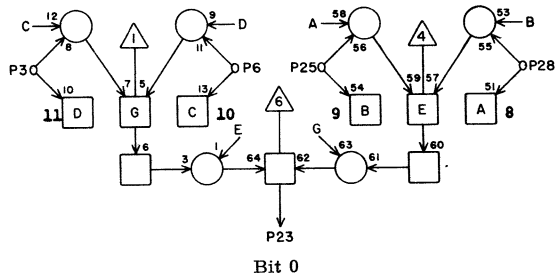
1	F01	26	9
2			
3	I02	5	7
4			
5			
6	I02	2	7
7			
8	F01	16	11
9			
10			
11			
12			
13			
14			
15			
16			
17			
18			
19			
20			
21			
22			
23	F01	15	11
24			
25	I01	23	7
26			
27			
28	I01	9	5

JACK PIN LC

63019700 Rev. H

2H02

POP. COUNT
ONES COUNTER
BIT 8-11



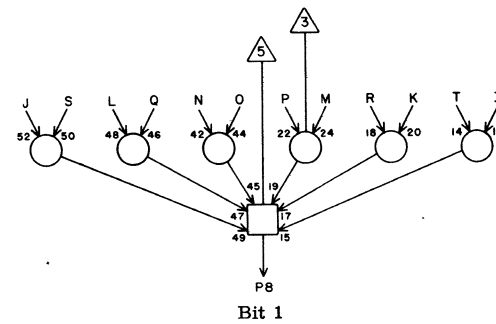
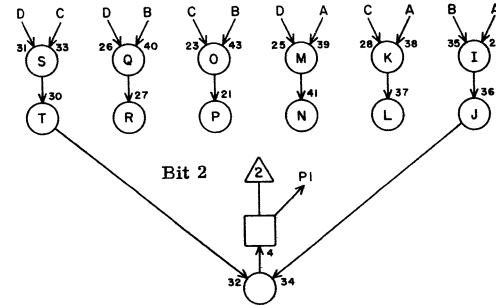
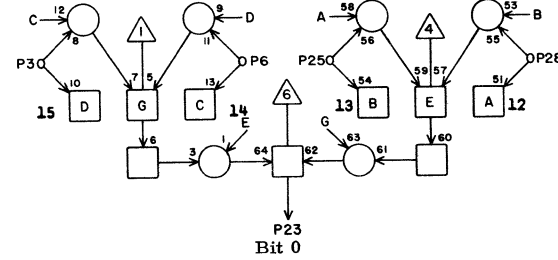
KD 2H03

1	F02	27	9
2			
3	I02	23	9
4			
5			
6	I02	9	9
7			
8	F02	12	11
9			
10			
11			
12			
13			
14			
15			
16			
17			
18			
19			
20			
21			
22			
23	F02	11	11
24			
25	I02	20	7
26			
27			
28	I02	8	5

JACK PIN LC

63019700 Rev.H

POP. COUNT
ONES COUNTER
BIT 12-15



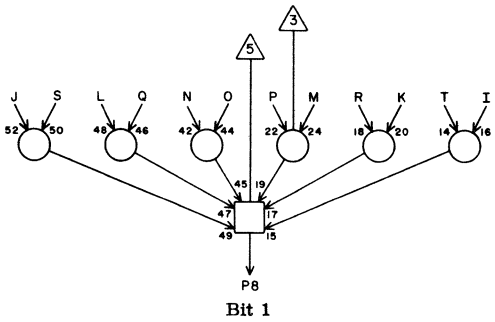
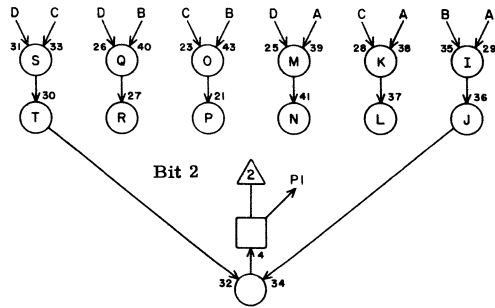
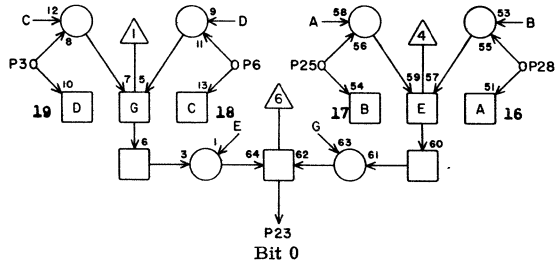
KD 2H04

1	F02	26	11
2			
3	I03	20	9
4			
5			
6	I03	8	9
7			
8	F02	16	11
9			
10			
11			
12			
13			
14			
15			
16			
17			
18			
19			
20			
21			
22			
23	F02	15	11
24			
25	I03	5	5
26			
27			
28	I03	2	5

JACK PIN LC

63019700 Rev.H

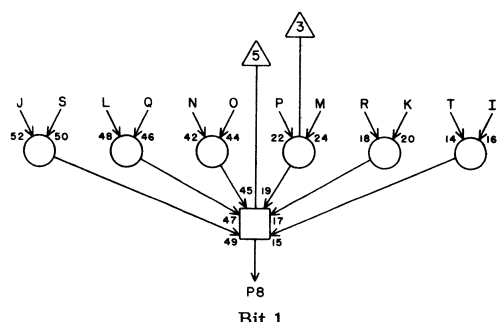
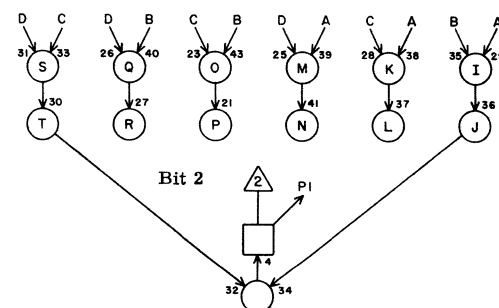
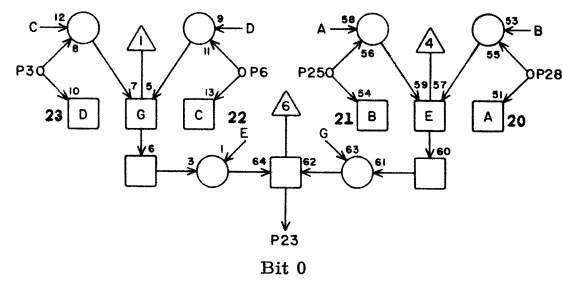
POP. COUNT
ONES COUNTER
BIT 16-19



KD **2H05**

1	F03	27	9
2			
3	I04	5	9
4			
5			
6	I04	2	7
7			
8	F03	12	11
9			
10			
11			
12			
13			
14			
15			
16			
17			
18			
19			
20			
21			
22			
23	F03	11	11
24			
25	I03	23	7
26			
27			
28	I03	9	7

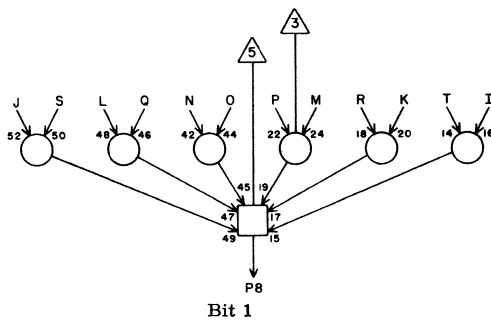
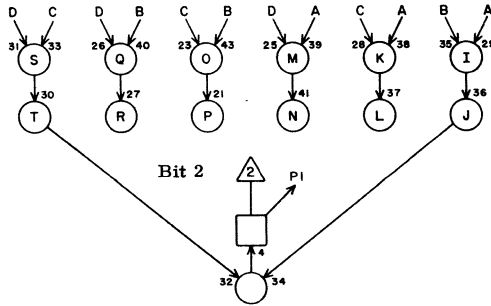
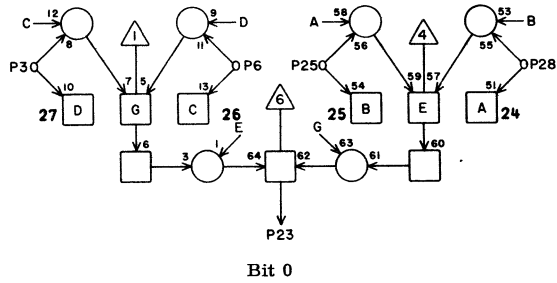
POP. COUNT
ONES COUNTER
BIT 20-23



KD **2H06**

1	F03	26	11
2			
3	I04	23	11
4			
5			
6	I04	9	9
7			
8	F03	16	11
9			
10			
11			
12			
13			
14			
15			
16			
17			
18			
19			
20			
21			
22			
23	F03	15	11
24			
25	I04	20	9
26			
27			
28	I04	8	7

POP. COUNT
ONES COUNTER
BIT 24-27



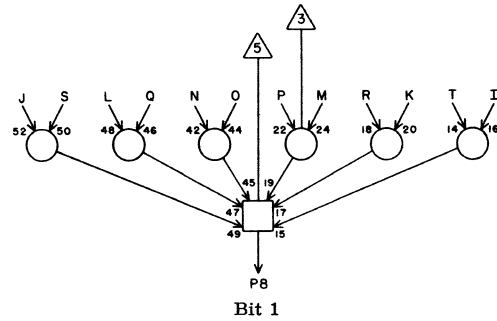
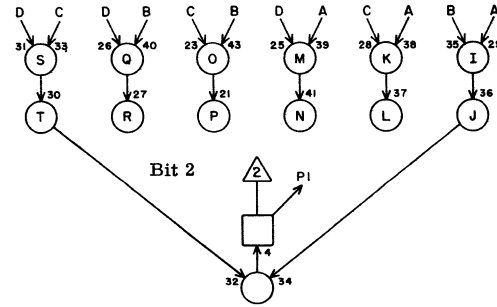
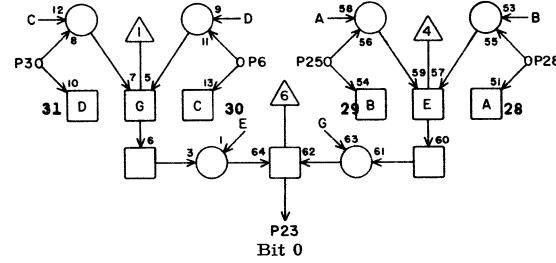
KD 2H07

1	F04	27	11
2			
3	I05	20	9
4			
5			
6	I05	8	9
7			
8	F04	12	11
9			
10			
11			
12			
13			
14			
15			
16			
17			
18			
19			
20			
21			
22			
23	F04	11	11
24			
25	I05	5	5
26			
27			
28	I05	2	5

JACK PIN LC

63019700 Rev. H

POP. COUNT
ONES COUNTER
BIT 28-31



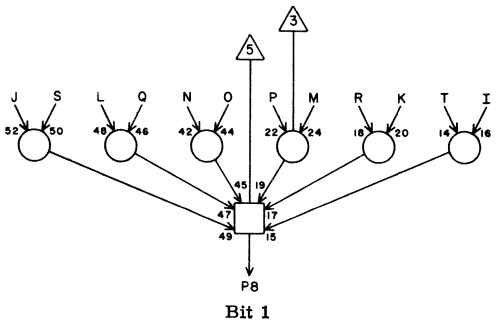
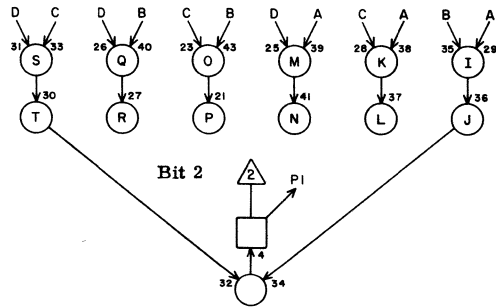
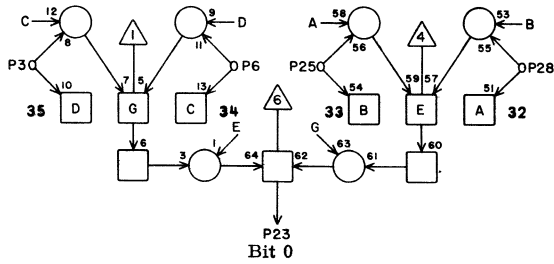
KD 2H08

1	F04	26	11
2			
3	I06	5	9
4			
5			
6	I06	2	9
7			
8	F04	16	11
9			
10			
11			
12			
13			
14			
15			
16			
17			
18			
19			
20			
21			
22			
23	F04	15	11
24			
25	I05	23	9
26			
27			
28	I05	9	9

JACK PIN LC

63019700 Rev. H

POP. COUNT
ONES COUNTER
BIT 32-35

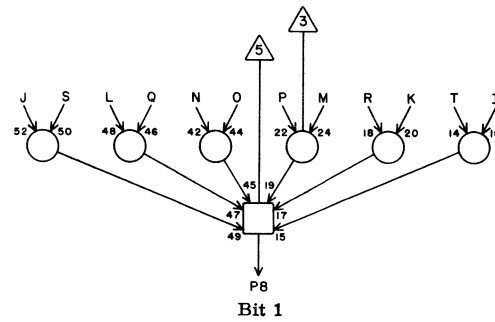
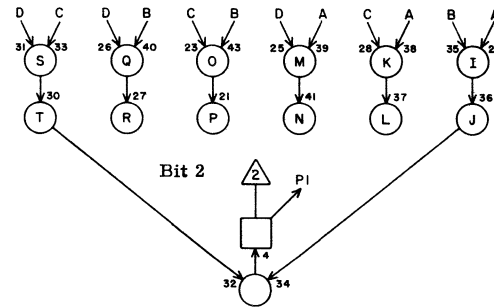
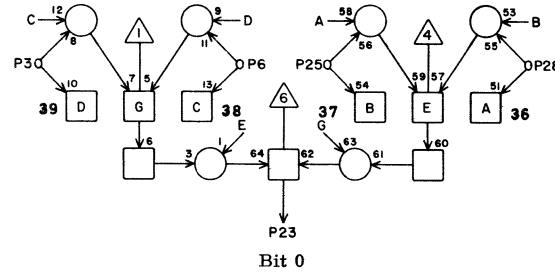


KD 2H09

1	F13	6	11
2			
3	I06	23	9
4			
5			
6	I06	9	9
7			
8	F13	5	11
9			
10			
11			
12			
13			
14			
15			
16			
17			
18			
19			
20			
21			
22			
23	F13	7	13
24			
25	I06	20	9
26			
27			
28	I06	8	7

JACK PIN LC

POP. COUNT
ONES COUNTER
BIT 36-39

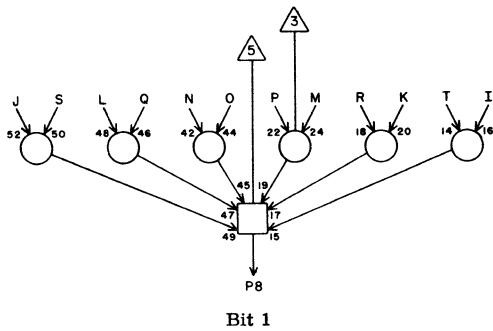
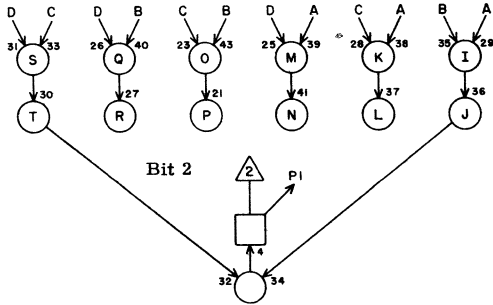
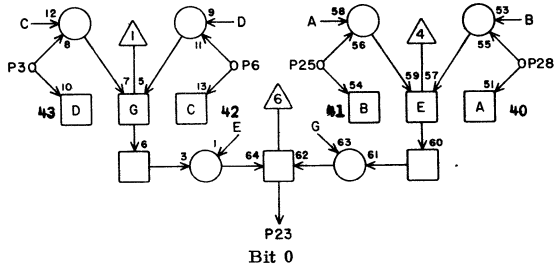


KD 2H10

1	F13	22	11
2			
3	I07	20	9
4			
5			
6	I07	8	9
7			
8	F13	24	11
9			
10			
11			
12			
13			
14			
15			
16			
17			
18			
19			
20			
21			
22			
23	F13	23	11
24			
25	I07	5	7
26			
27			
28	I07	2	7

JACK PIN LC

POP. COUNT
ONES COUNTER
BIT 40-43



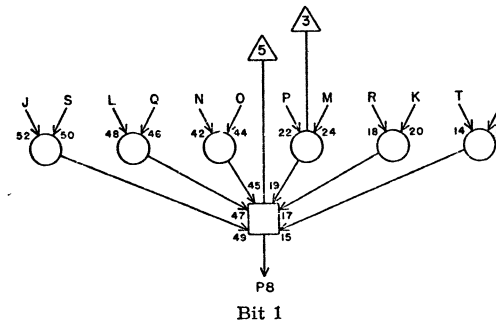
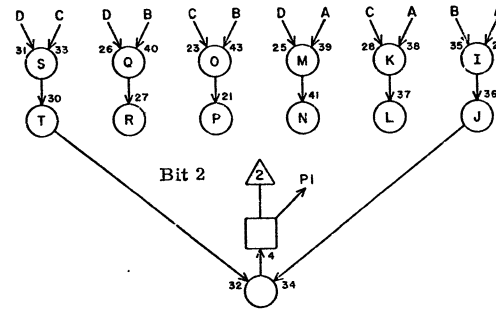
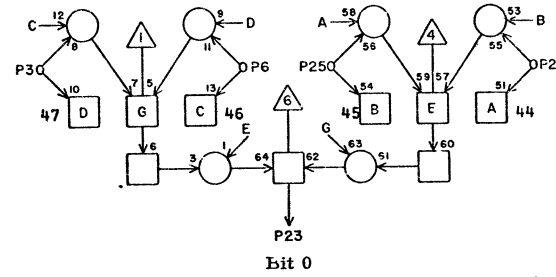
KD 2H11

1	F14	6	11
2			
3	I08	5	9
4			
5			
6	I08	2	9
7			
8	F14	5	11
9			
10			
11			
12			
13			
14			
15			
16			
17			
18			
19			
20			
21			
22			
23	F14	7	11
24			
25	I07	23	9
26			
27			
28	I07	9	9

JACK PIN LC

63019700 Rev. H

POP. COUNT
ONES COUNTER
BIT 44-47



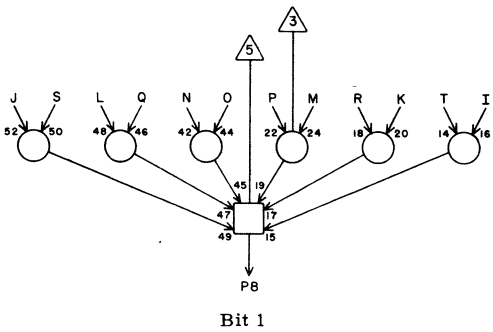
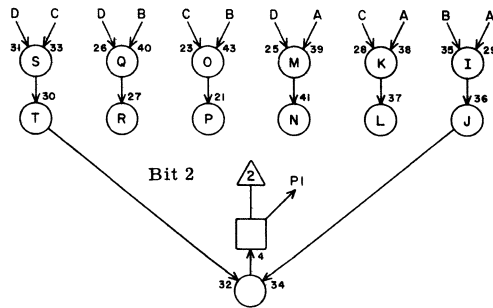
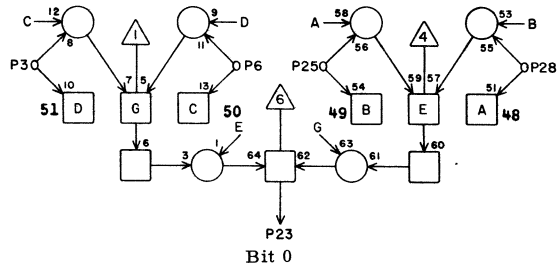
KD 2H12

1	F14	22	11
2			
3	I08	23	11
4			
5			
6	I08	9	9
7			
8	F14	24	11
9			
10			
11			
12			
13			
14			
15			
16			
17			
18			
19			
20			
21			
22			
23	F14	23	11
24			
25	I08	20	9
26			
27			
28	I08	8	9

JACK PIN LC

63019700 Rev. H

POP. COUNT
ONES COUNTER
BIT 48-51



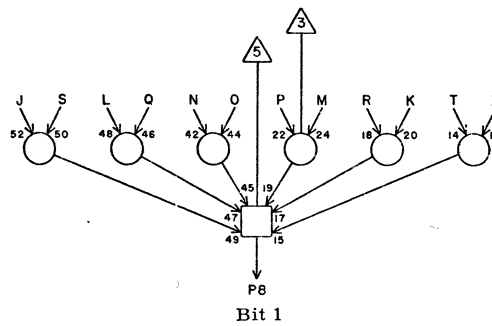
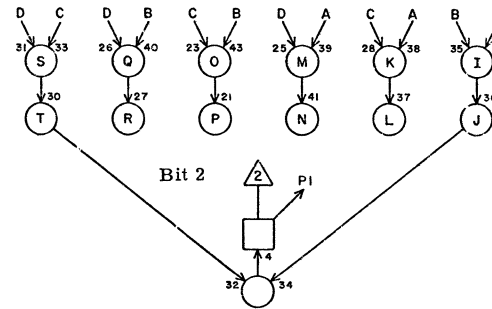
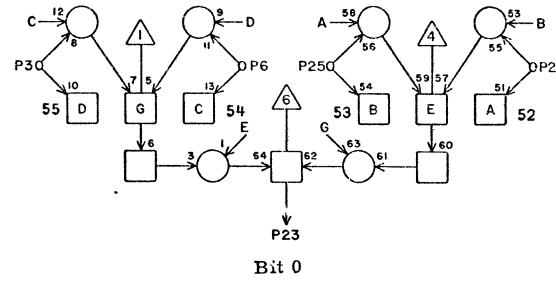
KD

2H13

1	F16	6	11
2			
3	E34	27	25
4			
5			
6	E34	28	25
7			
8	F16	5	11
9			
10			
11			
12			
13			
14			
15			
16			
17			
18			
19			
20			
21			
22			
23	F16	7	11
24			
25	E34	5	27
26			
27			
28	E34	6	27
	JACK	PIN	LC

63019700 Rev. H

POP. COUNT
ONES COUNTER
BIT 52-55



KD

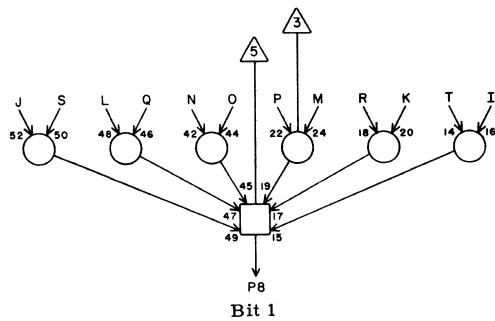
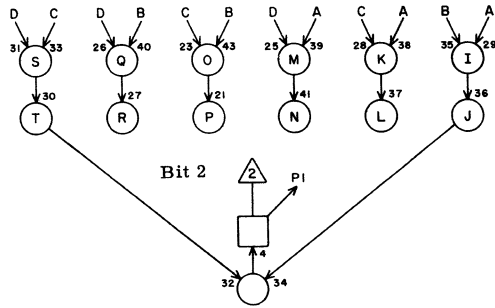
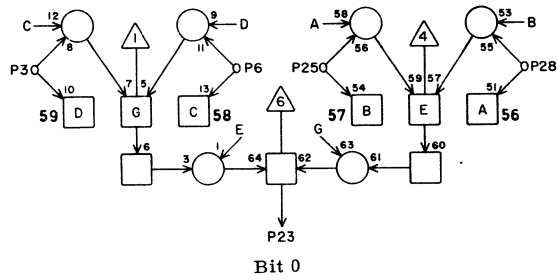
2H14

1	F17	6	11
2			
3	E35	27	25
4			
5			
6	E35	28	25
7			
8	F17	5	13
9			
10			
11			
12			
13			
14			
15			
16			
17			
18			
19			
20			
21			
22			
23	F17	7	13
24			
25	E35	5	27
26			
27			
28	E35	6	27
	JACK	PIN	LC

63019700 Rev. H

2H14

POP. COUNT
ONES COUNTER
BIT 56-59

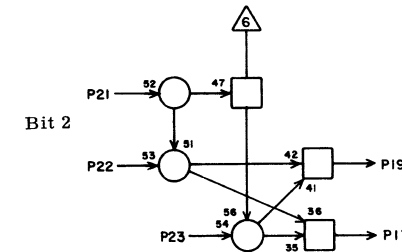
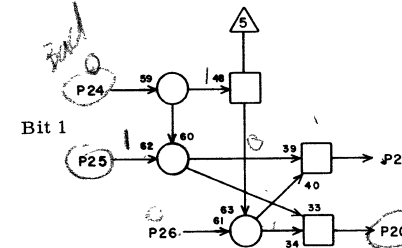
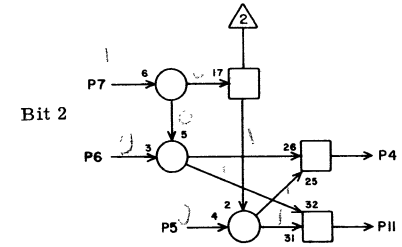
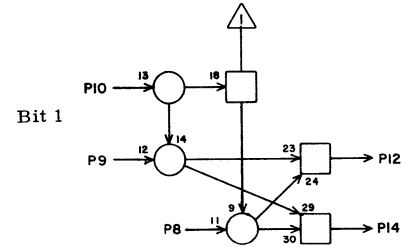


KD 2H15

1	G13	6	9
2			
3	E36	27	25
4			
5			
6	E36	28	25
7			
8	G13	5	9
9			
10			
11			
12			
13			
14			
15			
16			
17			
18			
19			
20			
21			
22			
23	G13	7	9
24			
25	E36	5	27
26			
27			
28	E36	6	27

JACK PIN LC

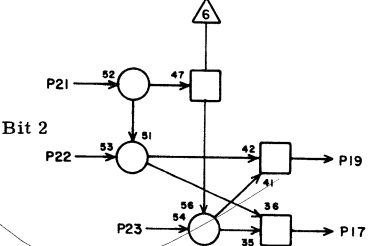
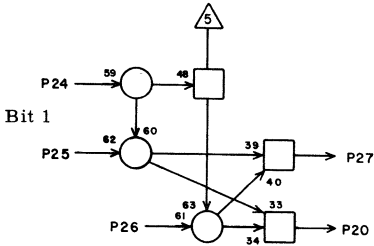
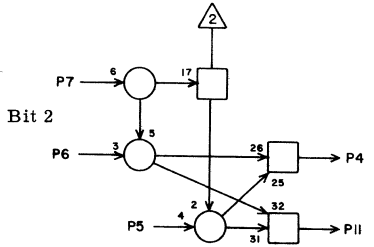
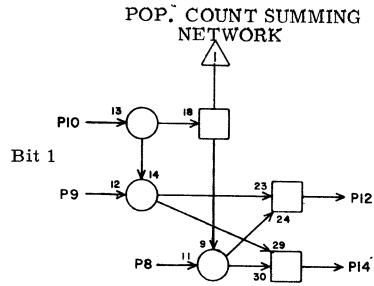
POP. COUNT SUMMING
NETWORK



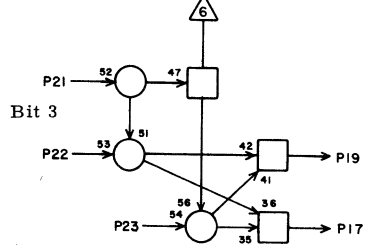
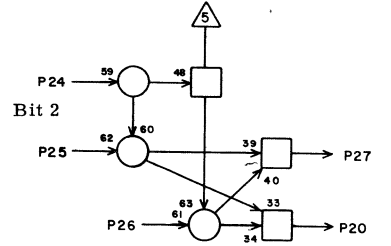
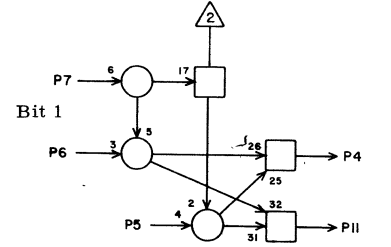
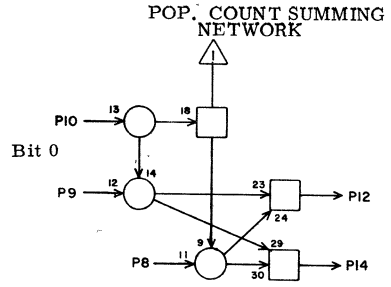
TJ 2H16

1			
2			
3			
4	F13	4	11
5	G01	28	17
6	G01	12	17
7	G01	4	19
8	G01	2	19
9	G01	1	17
10	G01	8	17
11			
12	F13	3	11
13			
14			
15			
16			
17	F14	4	11
18			
19			
20	F14	3	11
21	G02	4	17
22	G02	12	17
23	G02	28	17
24	G02	8	17
25	G02	1	17
26	G02	2	17
27			
28			

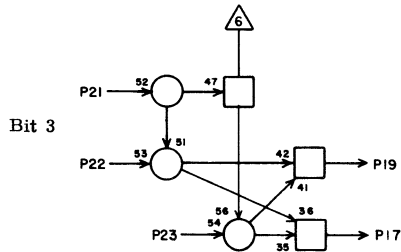
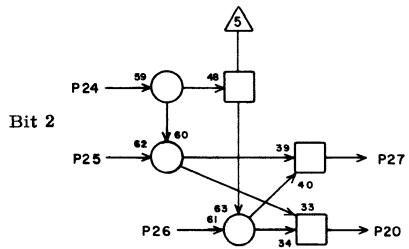
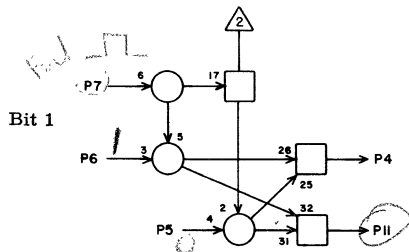
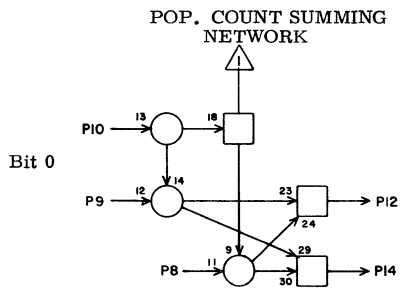
JACK PIN LG



TJ		2H17	
1			
2			
3			
4	F16	4	11
5	G03	28	17
6	G03	12	17
7	G03	4	17
8	G03	2	17
9	G03	1	17
10	G03	8	17
11			
12	F16	3	11
13			
14			
15			
16			
17	G14	6	9
18			
19			
20	G14	5	9
21	G04	4	17
22	G04	12	17
23	G04	28	17
24	G04	8	17
25	G04	1	17
26	G04	2	17
27			
28			
	JACK	PIN	LG



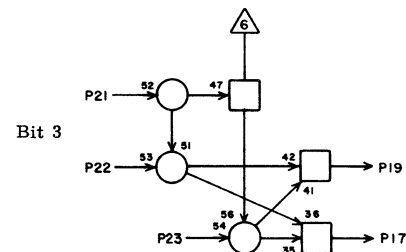
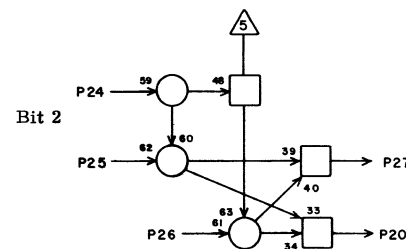
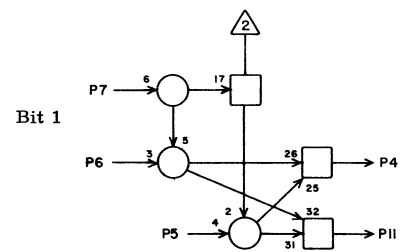
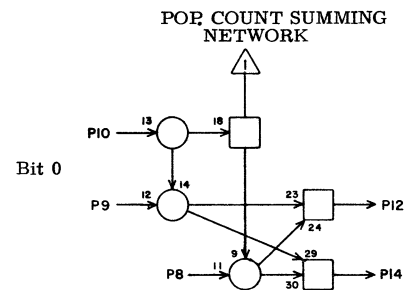
TJ		2H18	
1			
2			
3			
4	F13	26	11
5	G05	2	17
6	G05	1	17
7	G05	8	17
8	G05	26	17
9	G05	18	17
10	G05	6	17
11	F16	1	11
12	F13	25	11
13			
14	F16	12	13
15			
16			
17	F15	18	11
18			
19	F16	28	11
20	F13	18	11
21	G06	6	17
22	G06	18	17
23	G06	26	15
24	G05	4	17
25	G05	12	17
26	G05	28	17
27	F16	2	13
28			
	JACK	PIN	LG



TJ **2H19**

1			
2			
3			
4	F14	26	11
5	G07	2	15
6	G07	1	13
7	G07	8	17
8	G07	26	15
9	G07	18	15
10	G07	6	15
11	G14	3	11
12	F14	25	11
13			
14	G14	13	11
15			
16			
17	F15	26	11
18			
19	G14	25	9
20	F14	18	11
21	G08	6	13
22	G08	18	15
23	G08	26	15
24	G07	4	17
25	G07	12	17
26	G07	28	17
27	G14	4	13
28			

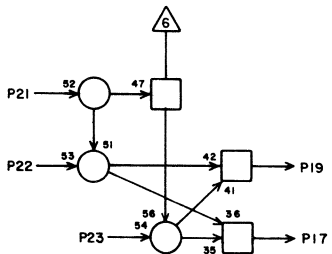
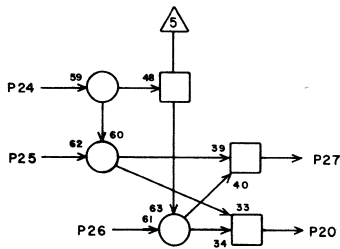
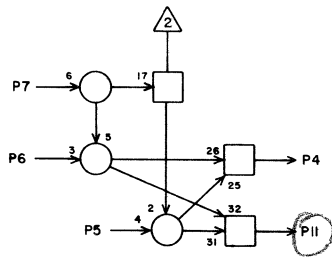
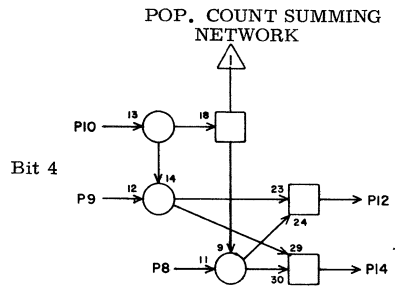
JACK PIN LG



TJ **2H20**

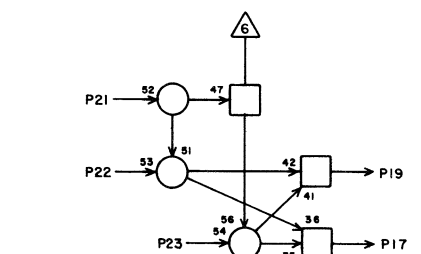
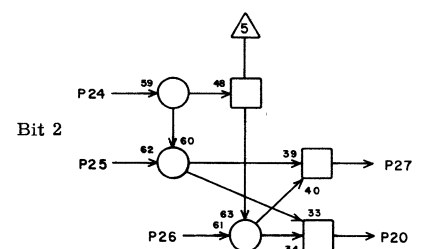
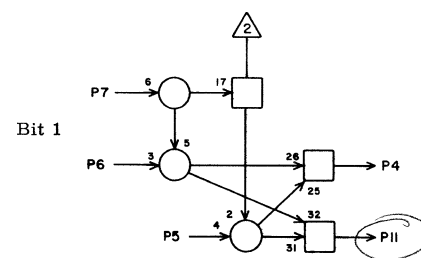
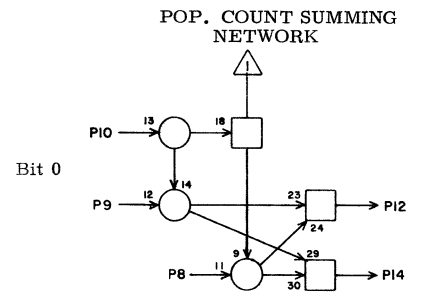
1			
2			
3			
4	F17	3	11
5	G09	2	15
6	G09	1	15
7	G09	8	15
8	G09	26	15
9	G09	18	15
10	G09	6	15
11	G14	1	11
12	F17	13	11
13			
14	G14	12	11
15			
16			
17	F17	26	11
18			
19	G14	27	11
20	F17	4	11
21	G10	6	15
22	G10	18	15
23	G10	26	15
24	G09	4	15
25	G09	12	15
26	G09	28	15
27	G14	2	13
28			

JACK PIN LG



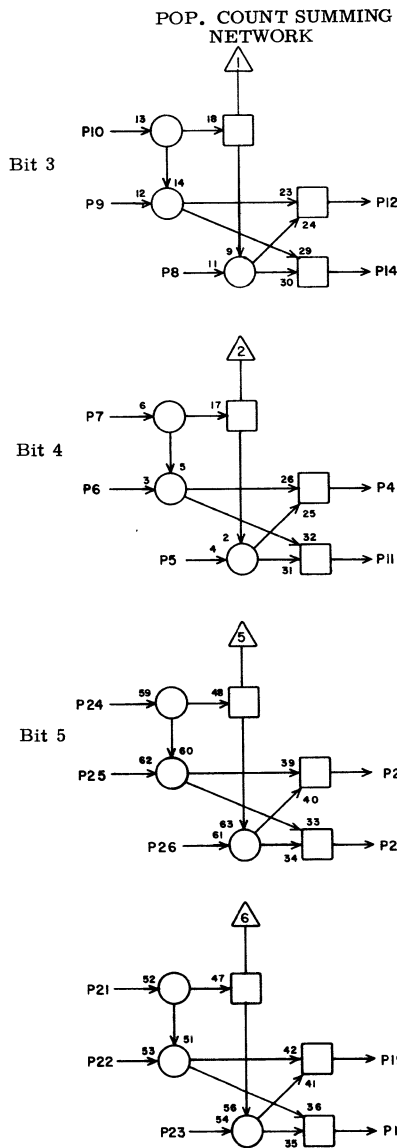
TJ **2H21**

1			
2			
3			
4			
5			
6			
7			
8	G10	2	15
9	G10	1	15
10	G10	8	15
11			
12	F17	18	11
13			
14	G14	28	11
15			
16			
17			
18			
19			
20			
21			
22			
23			
24			
25			
26			
27			
28			
	JACK	PIN	LG



TJ **2H22**

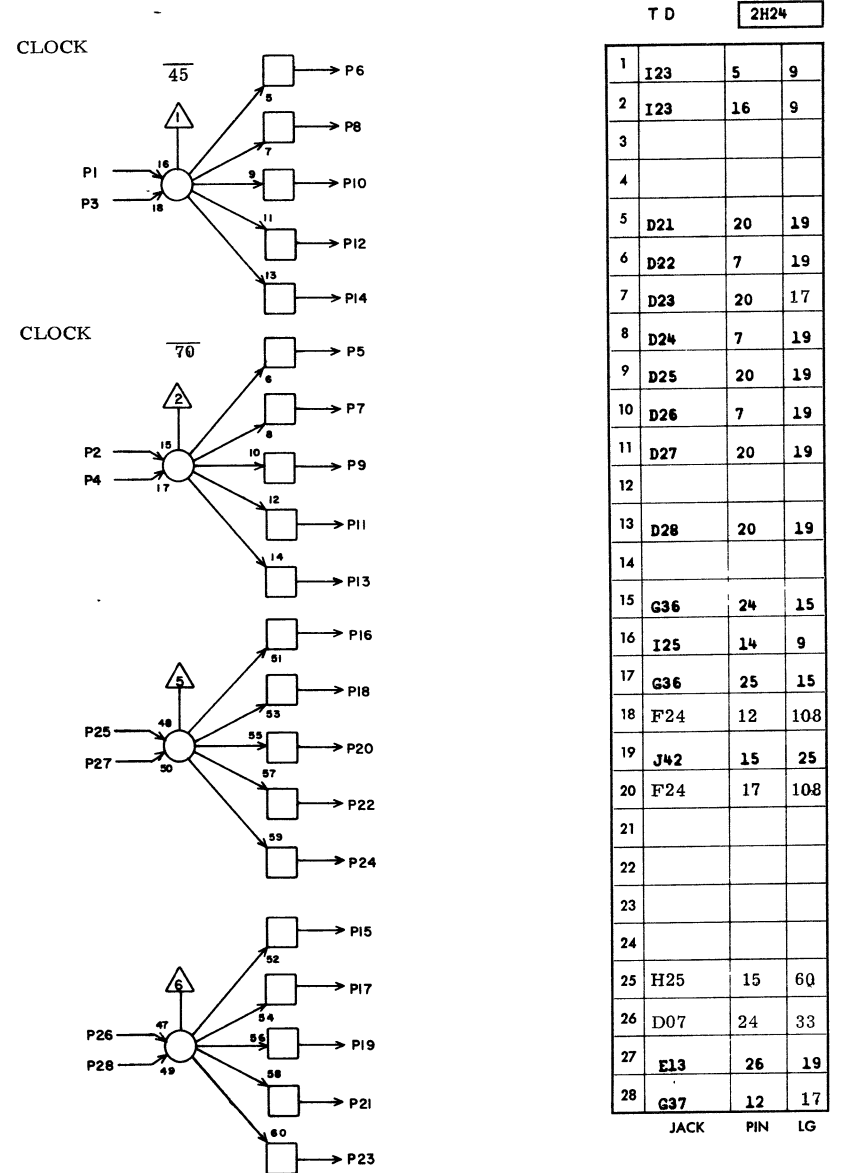
1			
2			
3			
4	G13	3	13
5	G11	2	15
6	G11	1	15
7	G11	8	15
8	G11	26	15
9	G11	18	15
10	G11	6	15
11	K01	11	25
12	G13	13	13
13			
14	K01	5	25
15			
16			
17			
18			
19			
20	G13	4	13
21			
22			
23			
24	G11	4	15
25	G11	12	15
26	G11	28	15
27	K01	16	25
28			
	JACK	PIN	LG



TJ		2H23	
1			
2			
3			
4	G13	26	13
5	G12	2	15
6	G12	1	15
7	G12	8	15
8	G12	26	15
9	G12	18	15
10	G12	6	15
11	K02	5	25
12	G13	25	13
13			
14	K01	26	27
15			
16			
17			
18			
19			
20	G13	18	13
21			
22			
23			
24	G12	4	15
25	G12	12	15
26	G12	28	15
27	K00	11	25
28			

JACK PIN LG

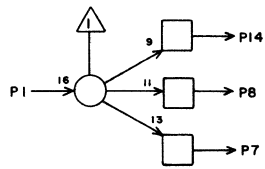
63019700 Rev. H



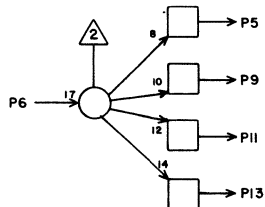
TD		2H24	
1	I23	5	9
2	I23	16	9
3			
4			
5	D21	20	19
6	D22	7	19
7	D23	20	17
8	D24	7	19
9	D25	20	19
10	D26	7	19
11	D27	20	19
12			
13	D28	20	19
14			
15	G36	24	15
16	I25	14	9
17	G36	25	15
18	F24	12	108
19	J42	15	25
20	F24	17	108
21			
22			
23			
24			
25	H25	15	60
26	D07	24	33
27	E13	26	19
28	G37	12	17

JACK PIN LG

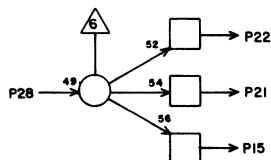
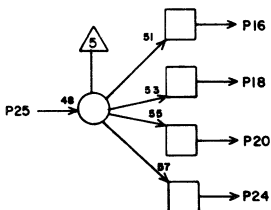
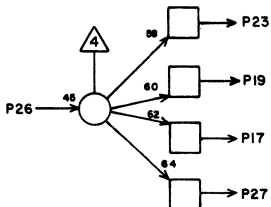
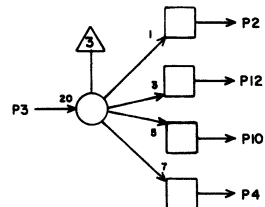
63019700 Rev. N



TRANSMIT MULT I



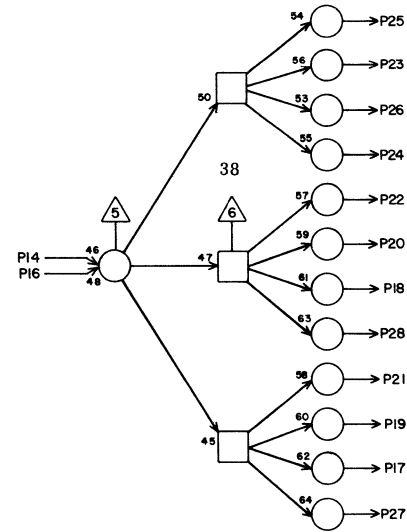
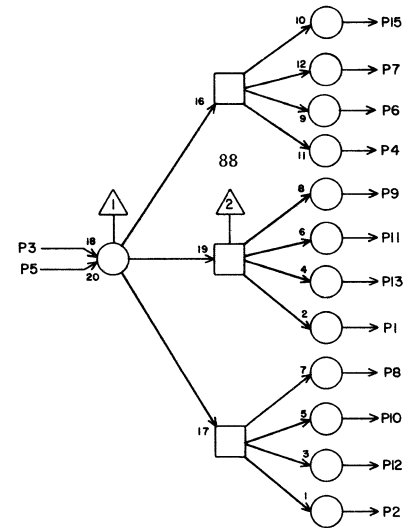
TRANSMIT MULT II



TH			
2H25			
JACK	PIN	LG	
1	D42	21	25
2	K13	14	27
3	009	11	55
4			
5	G36	6	15
6	G36	16	13
7	B36	1	29
8			
9	B36	3	29
10	K15	14	27
11			
12	K14	14	27
13			
14	G36	4	15
15	H24	25	60
16	I25	3	7
17	K15	17	27
18	J15	17	17
19	K14	17	27
20	F24	3	108
21	H27	23	60
22	J23	4	11
23	K13	17	27
24	F24	4	108
25	H27	18	5
26	009	22	55
27			
28	F10	4	23

63019700 Rev. P

CLOCK FANOUTS



2H26

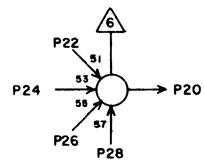
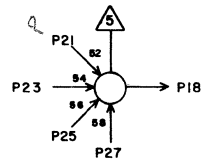
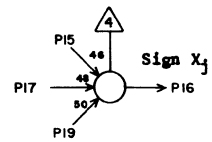
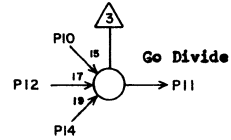
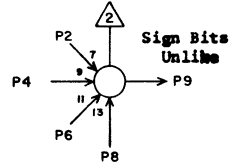
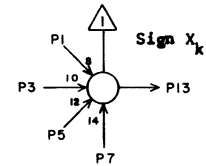
TC

2H26

1			
2			
3	I22	23	11
4			
5		Grd	2
6	J24	14	60
7			
8			
9			
10			
11			
12			
13			
14	I22	5	9
15			
16			
17	N42	3	144
18			
19			
20			
21			
22	K15	12	19
23			
24	K14	12	19
25	005	7	84
26	K13	12	21
27	J25	14	13
28	G37	24	70*

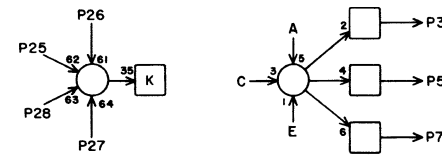
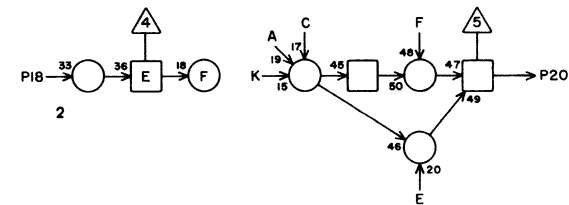
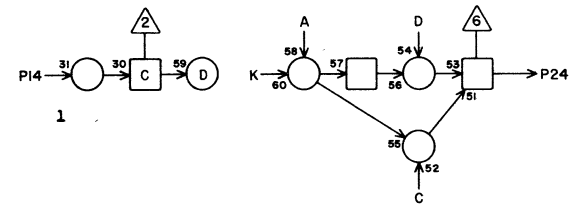
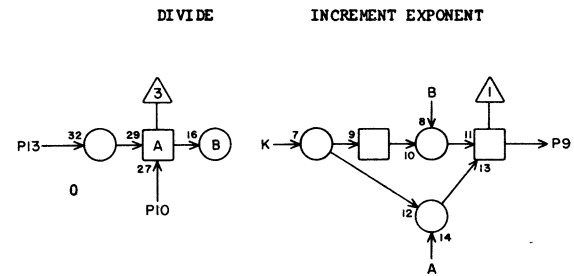
JACK PIN LG

63019700 Rev. H



TI		2H27	
JACK	PIN	LG	
1	M10	26	29
2	G31	12	11
3	A37	17	31
4			
5			
6			
7			
8			
9	G15	26	15
10	L11	25	25
11	D28	8	19
12			
13	P12	14	37
14			
15	L10	26	25
16	O06	14	35
17	A37	12	31
18	H25	25	5
19			
20	I42	3	17
21	E13	28	21
22	G32	11	11
23	H25	21	60
24	D42	23	23
25			
26	G36	15	13
27			
28	F24	20	13

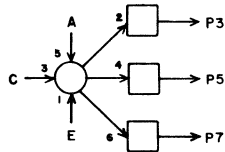
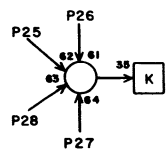
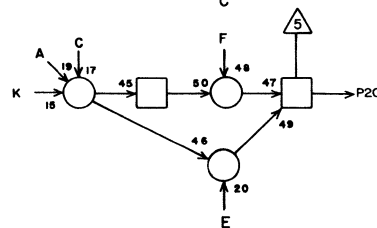
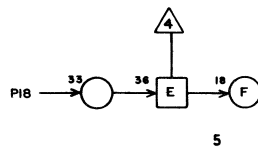
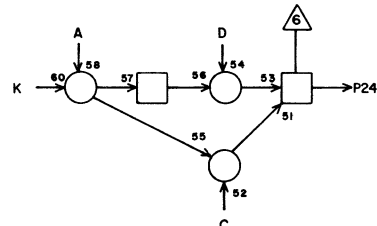
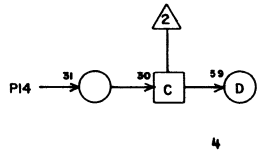
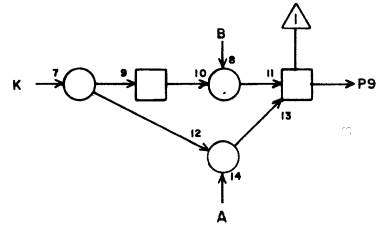
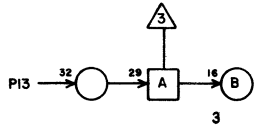
63019700 Rev. K



QM		2H28	
JACK	PIN	LG	
1			
2			
3	H29	25	5
4			
5	H30	25	5
6			
7	H31	25	7
8			
9	F28	10	11
10	H42	20	15
11			
12			
13	C35	14	23
14	C35	11	25
15			
16			
17			
18	C35	20	23
19			
20	F28	24	11
21			
22			
23			
24	F28	7	11
25			
26			
27			
28			

63019700 Rev. AD

DIVIDE, INCREMENT EXPONENT

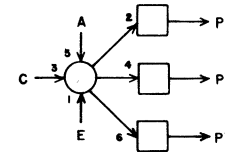
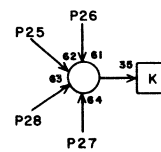
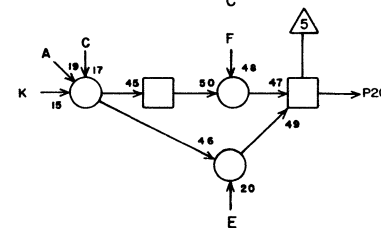
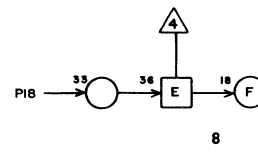
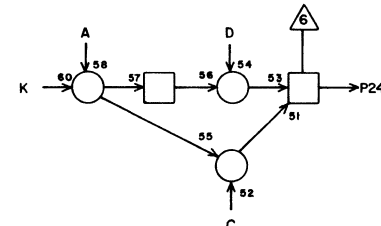
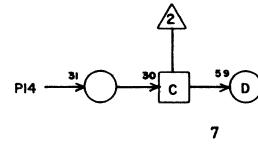
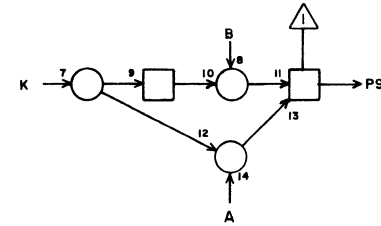
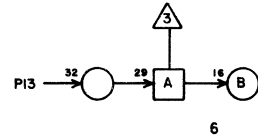


QK		2H29	
1			
2			
3	H30	27	5
4			
5	H31	27	5
6			
7			
8			
9	F28	21	11
10			
11			
12			
13	C35	17	23
14	C36	14	23
15			
16			
17			
18	C36	11	23
19			
20	F29	7	13
21			
22			
23			
24	F29	10	11
25	H28	3	5
26			
27			
28			

JACK PIN LG

63019700 Rev. H

DIVIDE, INCREMENT EXPONENT



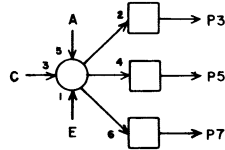
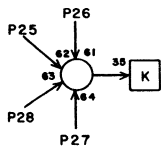
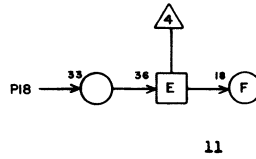
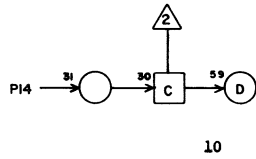
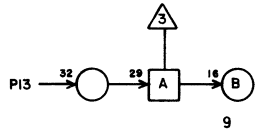
QK		2H30	
1			
2			
3	H31	28	5
4			
5			
6			
7			
8			
9	F29	24	11
10			
11			
12			
13	C36	20	23
14	C36	17	23
15			
16			
17			
18	C37	14	23
19			
20	F30	10	13
21			
22			
23			
24	F29	21	11
25	H28	5	5
26			
27	H29	3	5
28			

JACK PIN LG

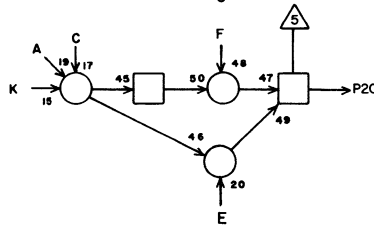
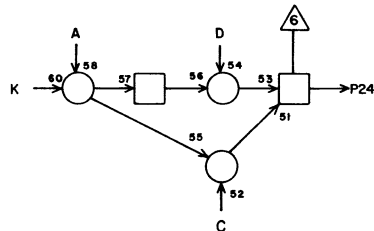
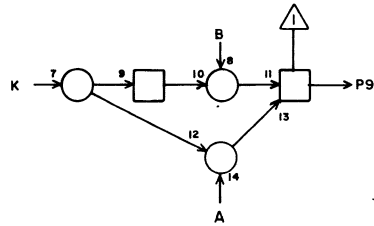
63019700 Rev. H

2H30

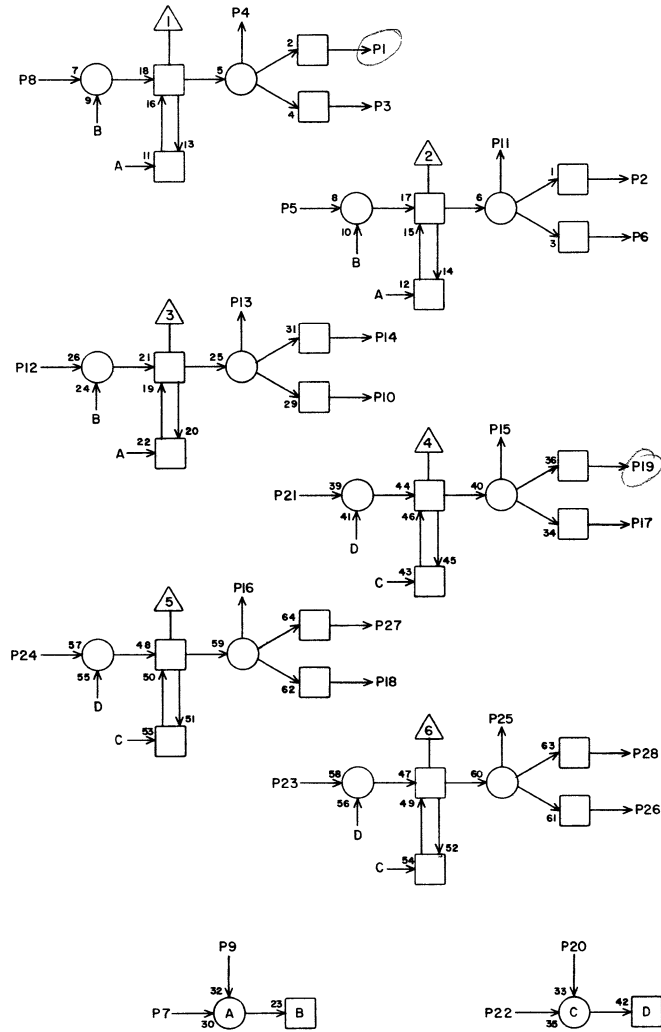
DIVIDE, INCREMENT EXPONENT



DIVIDE



QK		2H31	
JACK	PIN	LG	
1			
2			
3			
4			
5			
6			
7			
8			
9	F30	7	11
10			
11			
12			
13	C37	11	25
14	D19	2	23
15			
16			
17			
18	C37	17	25
19			
20	F30	21	13
21			
22			
23			
24	F30	24	13
25	H28	7	7
26			
27	H29	5	5
28	H30	3	5



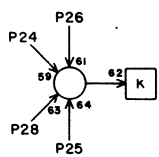
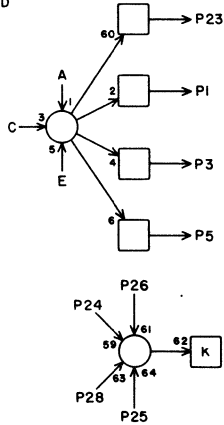
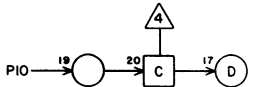
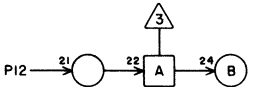
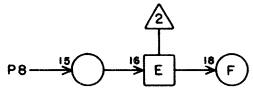
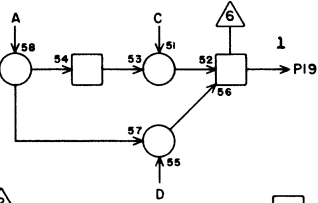
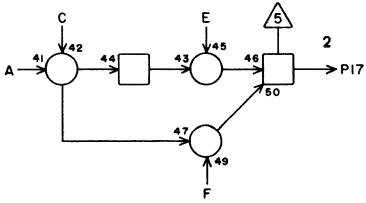
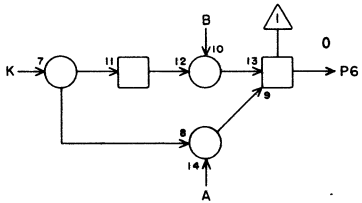
PJ 2H32

1	G24	14	17
2	G24	3	17
3	G25	14	17
4			
5	G15	23	19
6	I32	1	9
7	I24	12	13
8	G15	16	19
9	D28	27	19
10			
11			
12			
13			
14			
15			
16			
17	G27	14	13
18	I32	6	5
19	G26	14	15
20	D28	28	19
21	G15	18	19
22	I24	14	13
23			
24	G15	19	19
25			
26			
27	G26	3	15
28			

JACK PIN LG

MULT. 1 DECREMENT EXPONENT

EXP. 1



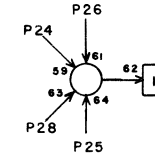
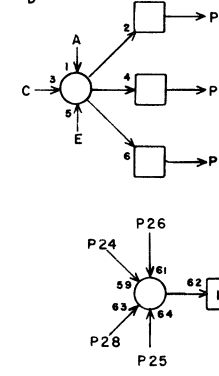
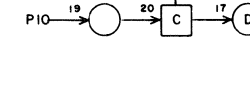
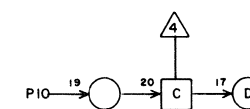
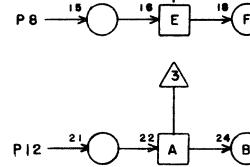
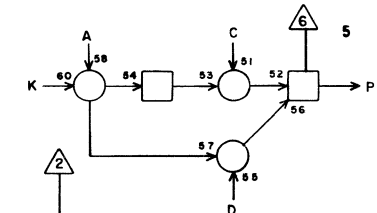
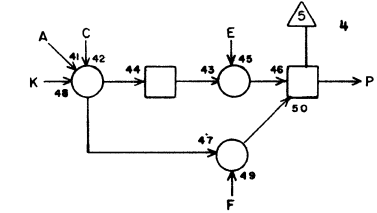
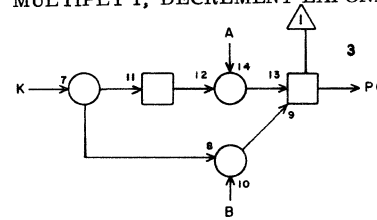
GH

2H33

1	H34	24	5
2			
3	H35	24	7
4			
5	H36	24	7
6	F34	10	13
7			
8	A33	11	29
9			
10	A33	10	29
11			
12	A33	12	29
13			
14			
15			
16			
17	F34	24	13
18			
19	F34	7	13
20			
21			
22			
23	H33	26	3
24	H34	5	5
25	H36	1	7
26	H33	23	3
27			
28	H35	3	5

JACK PIN LG

MULTIPLY 1, DECREMENT EXPONENT



2H34

IX

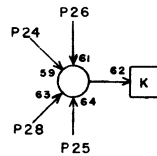
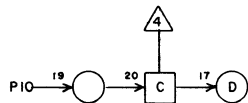
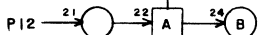
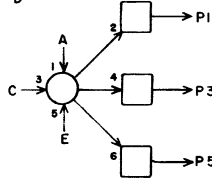
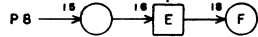
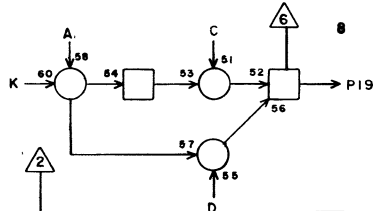
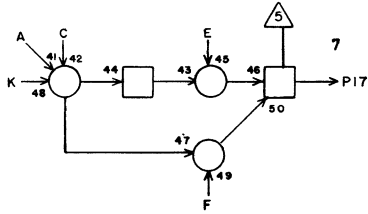
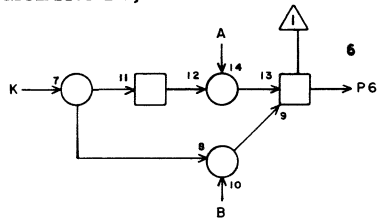
2H34

1	H35	25	5
2			
3	H36	25	5
4			
5	H33	24	5
6	F34	21	13
7			
8	A33	19	29
9			
10	A33	14	29
11			
12	A33	9	29
13			
14			
15			
16			
17	F35	7	13
18			
19	F35	10	13
20			
21			
22			
23			
24	H33	1	5
25			
26			
27			
28			

JACK PIN LG

63019700 Rev. H

MULTIPLY 1, DECREMENT EXPONENT

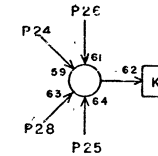
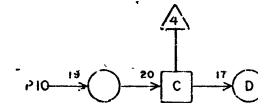
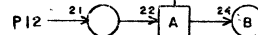
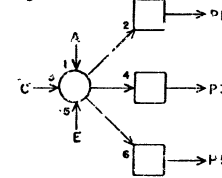
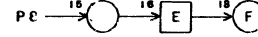
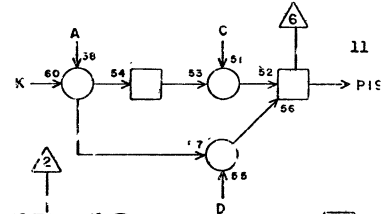
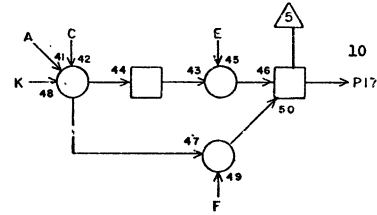
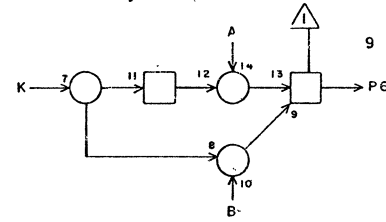


IX 2H35

1	H36	26	5
2			
3	H33	28	5
4			
5			
6	F35	24	13
7			
8	A33	15	29
9			
10	A33	16	29
11			
12	A33	13	29
13			
14			
15			
16			
17	F36	10	11
18			
19	F35	21	13
20			
21			
22			
23			
24	H33	3	7
25	H34	1	5
26			
27			
28			

63019700 Rev. H

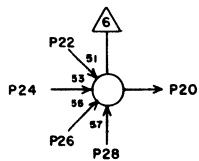
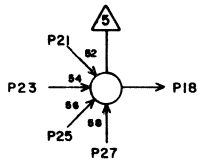
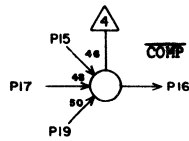
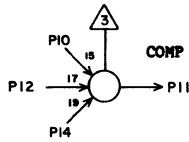
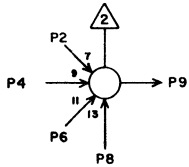
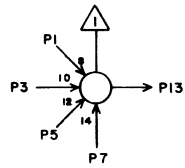
MULTIPLY 1, DECREMENT EXPONENT



IX 2H36

1	H33	25	7
2			
3			
4			
5			
6	F36	7	11
7			
8	A33	20	29
9			
10	A33	17	29
11			
12	A33	18	29
13			
14			
15			
16			
17	F36	21	11
18			
19	F36	24	11
20			
21			
22			
23			
24	H33	5	7
25	H34	3	5
26	H35	1	5
27			
28			

63019700 Rev. H



MI = 6000

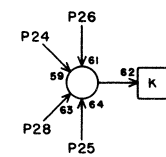
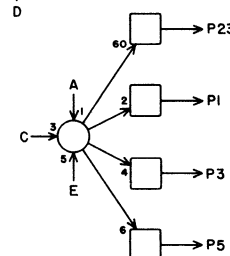
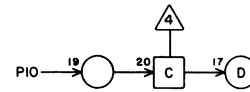
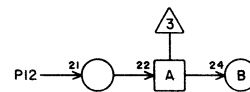
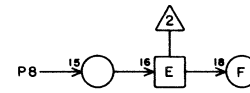
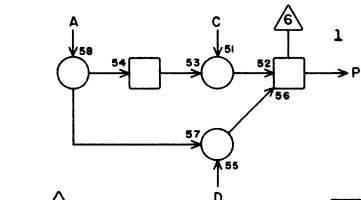
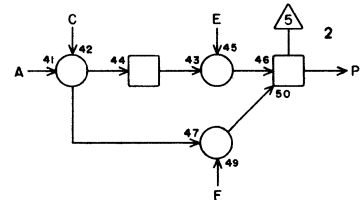
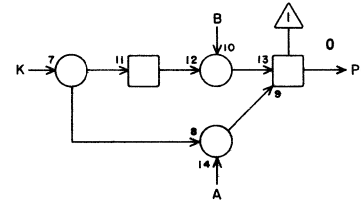
M2 = 6000

TI 2H37

1	B35	10	27
2	D16	19	27
3	I32	7	9
4	J24	1	72
5			
6	N42	27	27
7			
8			
9	009	18	41
10	A39	20	29
11	H37	15	5
12			
13	D16	5	27
14			
15	H37	11	5
16	G37	10	11
17	E15	19	29
18	D07	6	35
19	D14	11	29
20	D07	1	35
21	E03	11	39
22	E03	20	39
23	E03	14	39
24	E03	23	39
25	E03	8	37
26	E03	15	39
27	E20	22	23
28	E21	22	21

JACK PIN LG

MULT. 2 DECREMENT EXPONENT

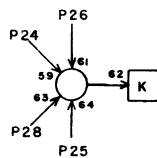
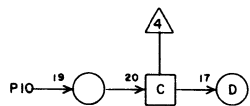
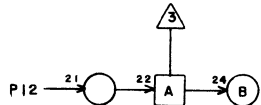
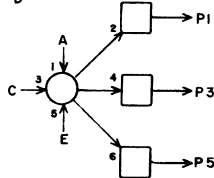
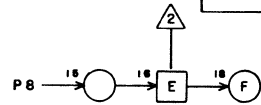
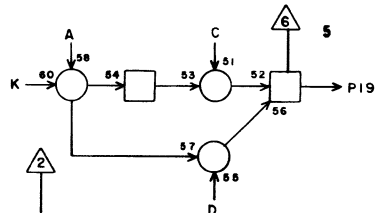
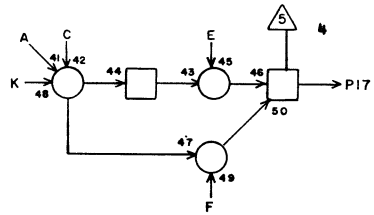
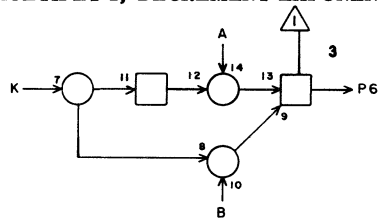


GH 2H38

1	H39	24	5
2			
3	H40	24	5
4			
5	H41	24	5
6	F40	10	11
7			
8	A34	11	31
9			
10	A34	10	31
11	A34	12	29
12			
13			
14			
15			
16			
17	F40	24	11
18			
19	F40	7	11
20			
21			
22			
23	H38	26	3
24	H39	5	5
25	H41	1	7
26	H38	23	3
27			
28	H40	3	5

JACK PIN LG

MULTIPLY 2, DECREMENT EXPONENT



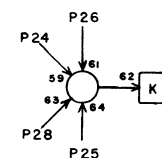
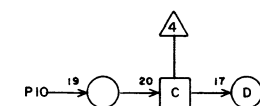
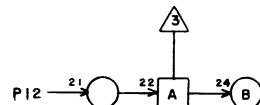
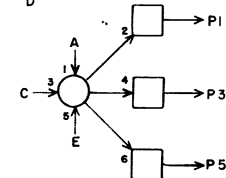
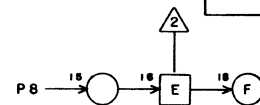
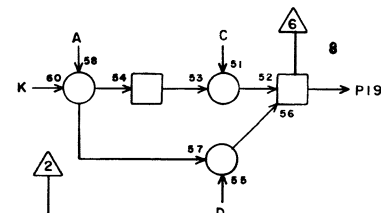
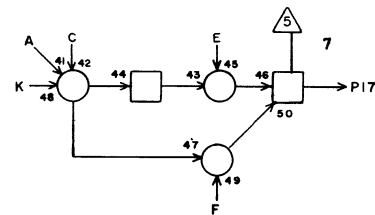
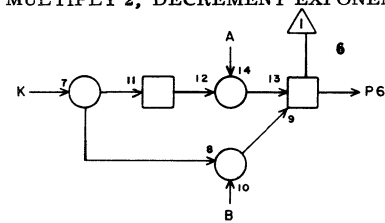
IX **2H39**

1	H40	25	5
2			
3	H41	25	5
4			
5	H38	24	5
6	F40	21	11
7			
8	A34	19	29
9			
10	A34	14	29
11			
12	A34	9	31
13			
14			
15			
16			
17	F41	7	11
18			
19	F41	10	11
20			
21			
22			
23			
24	H38	1	5
25			
26			
27			
28			

JACK PIN LG

63019700 Rev. H

MULTIPLY 2, DECREMENT EXPONENT



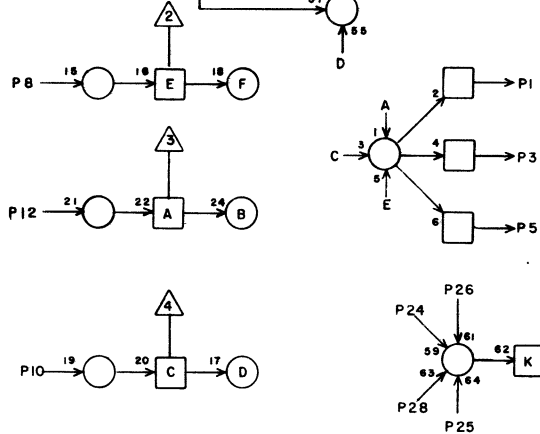
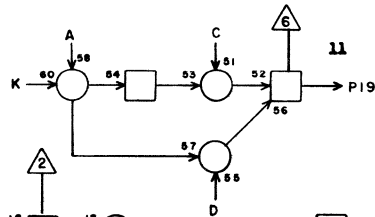
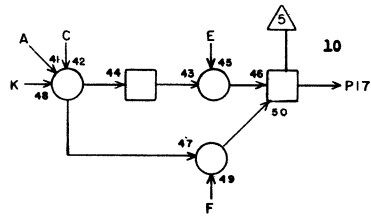
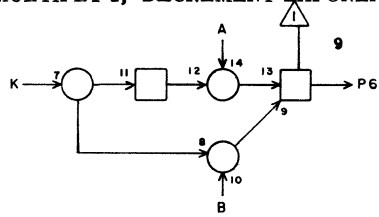
IX **2H40**

1	H41	26	5
2			
3	H38	28	5
4			
5			
6	F41	24	11
7			
8	A34	15	29
9			
10	A34	16	29
11			
12	A34	13	29
13			
14			
15			
16			
17	F42	10	11
18			
19	F41	21	11
20			
21			
22			
23			
24	H38	3	5
25	H39	1	5
26			
27			
28			

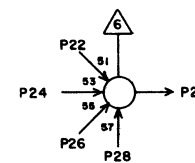
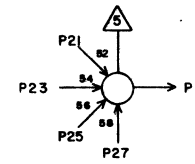
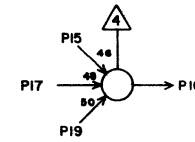
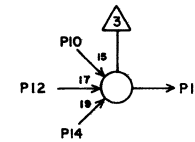
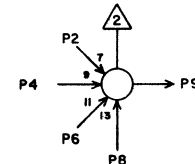
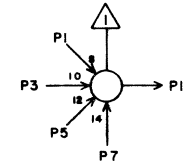
JACK PIN LG

63019700 Rev. H

MULTIPLY 2, DECREMENT EXPONENT



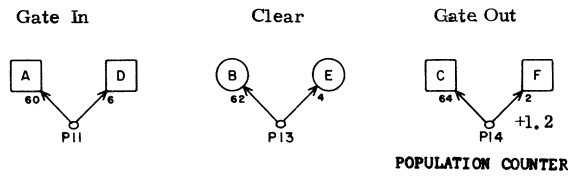
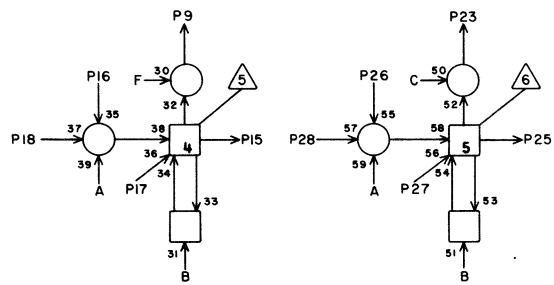
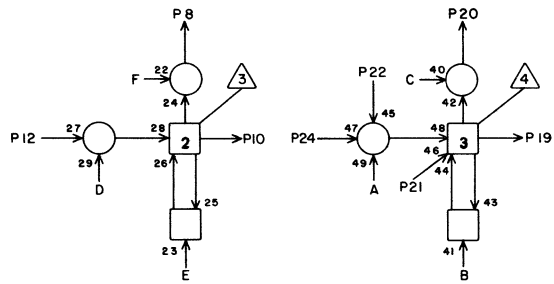
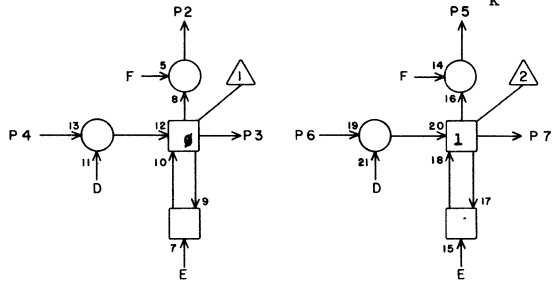
		2H*1	
IX	JACK	PIN	LG
1	H38	25	7
2			
3			
4			
5			
6	F*2	7	11
7			
8	A34	20	28
9			
10	A34	17	29
11			
12	A34	18	29
13			
14			
15			
16			
17	F*2	21	11
18			
19	F*2	24	11
20			
21			
22			
23			
24	H38	5	5
25	H39	3	5
26	H40	1	5
27			
28			



TI

		2H*2	
TI	JACK	PIN	LG
1	B35	20	25
2	J23	20	23
3	I32	11	15
4	J24	2	72
5			
6	O11	27	41
7			
8			
9	O09	14	41
10	E23	28	23
11	H28	10	15
12	E23	15	23
13	I23	28	23
14			
15	H42	20	5
16	J03	9	37
17			
18	I26	7	19
19			
20	H42	15	5
21	D18	13	29
22	E20	20	27
23			
24	E20	15	27
25			
26	G36	9	11
27			
28	E22	16	25

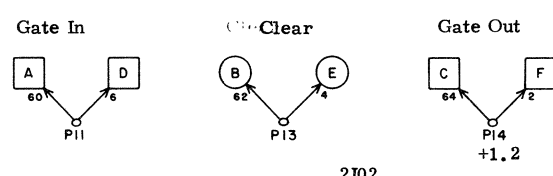
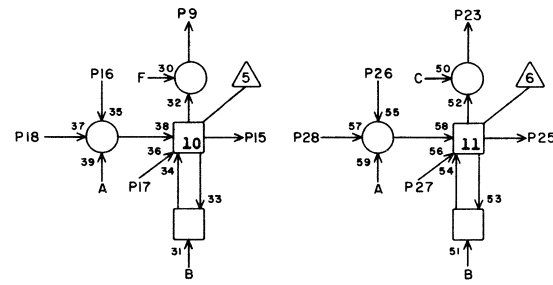
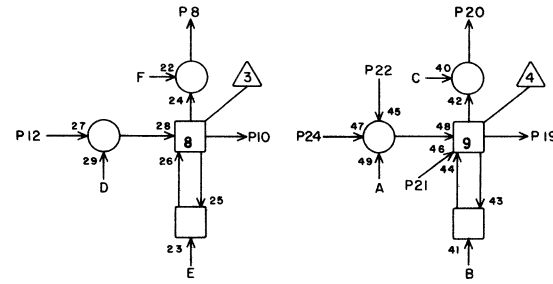
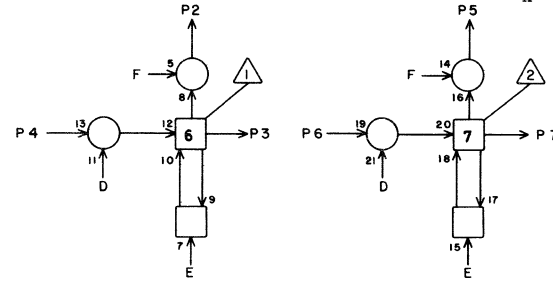
POP. COUNT FEEDER REGISTER (x_k)



MD **2101**

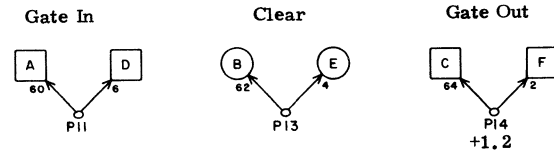
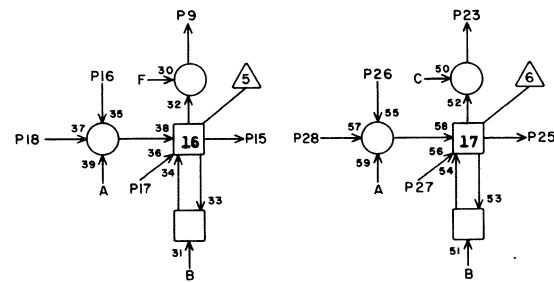
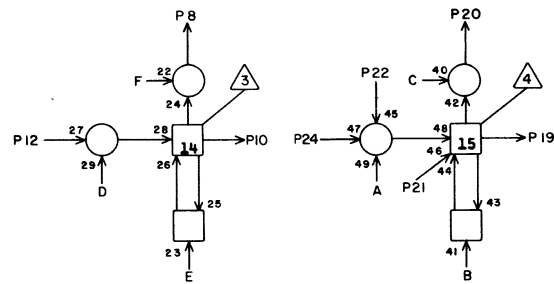
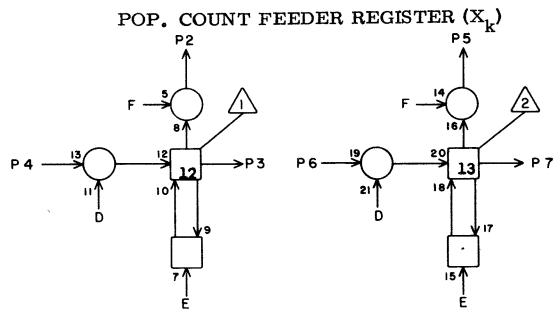
1			
2	H01	28	5
3			
4	R06	20	39
5	H01	25	7
6	R06	22	39
7			
8	H01	6	9
9	H02	28	5
10			
11	I11	15	13
12	R06	24	39
13	I11	25	13
14	I12	15	15
15			
16	R07	20	39
17			
18		Grd	2
19			
20	H01	3	9
21			
22	R06	26	39
23	H02	25	7
24		Grd	2
25			
26	R07	22	39
27			
28		Grd	2
	JACK	PIN	LG

POP. COUNT FEEDER REGISTER (x_k)



MD **2102**

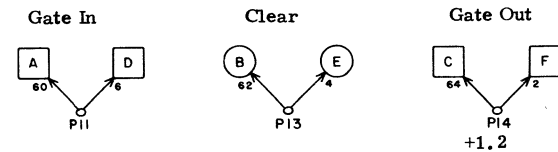
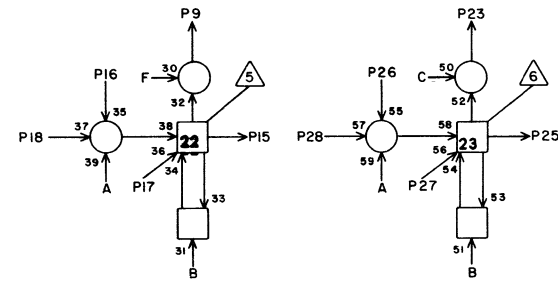
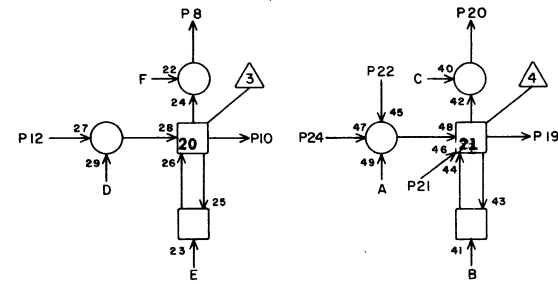
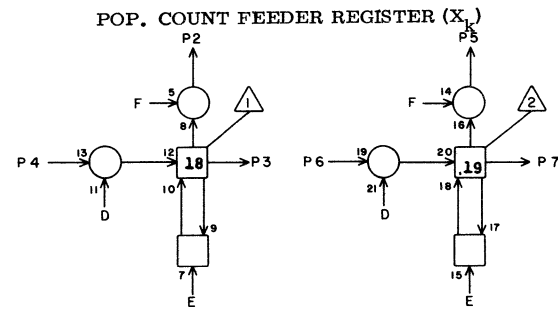
1			
2	H02	6	7
3			
4	R07	24	39
5	H02	3	7
6	R07	26	39
7			
8	H03	28	5
9	H03	6	9
10			
11	I11	7	13
12	R08	20	39
13	I11	23	13
14	I12	7	13
15			
16	R08	24	39
17			
18		Grd	2
19			
20	H08	25	7
21			
22	R08	22	39
23	H03	3	9
24		Grd	2
25			
26	R08	26	37
27			
28		Grd	2
	JACK	PIN	LG



MD **2103**

1			
2	H04	28	5
3			
4	R09	20	39
5	H04	25	5
6	R09	22	39
7			
8	H04	6	9
9	H05	28	7
10			
11	I11	6	11
12	R09	24	39
13	I11	26	11
14	I12	6	13
15			
16	R10	20	39
17			
18		Grd	2
19			
20	H04	3	9
21			
22	R09	26	39
23	H05	25	7
24		Grd	2
25			
26	R10	22	37
27			
28		Grd	2
	JACK	PIN	LG

63019700 Rev. H

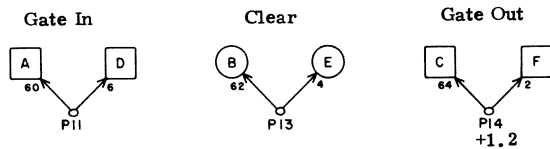
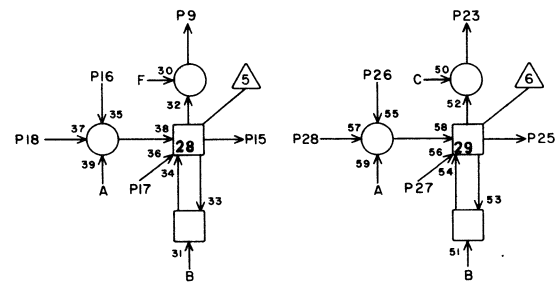
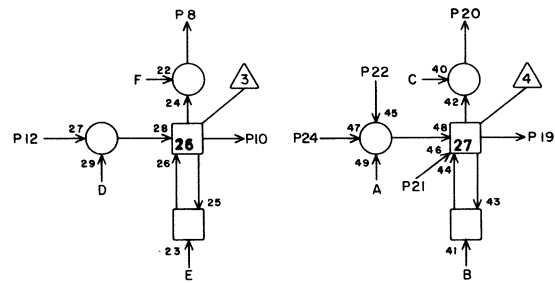
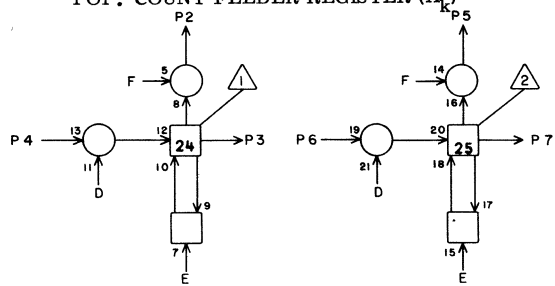


MD **2104**

1			
2	H05	6	7
3			
4	R10	24	39
5	H05	3	9
6	R10	26	39
7			
8	H06	28	7
9	H06	6	9
10			
11	I11	4	11
12	P06	20	31
13	I11	24	11
14	I12	4	11
15			
16	P06	24	31
17			
18		Grd	2
19			
20	H06	25	9
21			
22	P06	22	29
23	H06	3	11
24		Grd	2
25			
26	P06	26	29
27			
28		Grd	2
	JACK	PIN	LG

63019700 Rev. H

POP. COUNT FEEDER REGISTER (X_k)



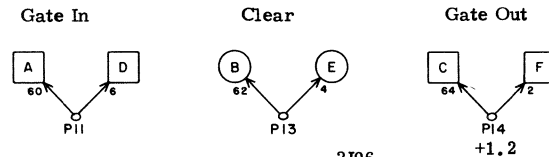
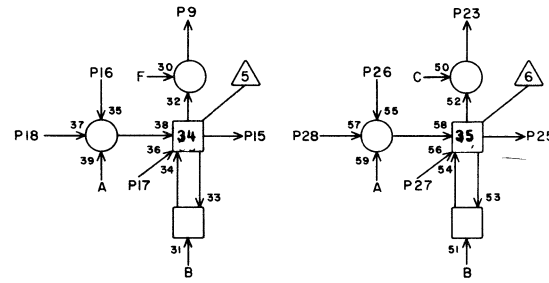
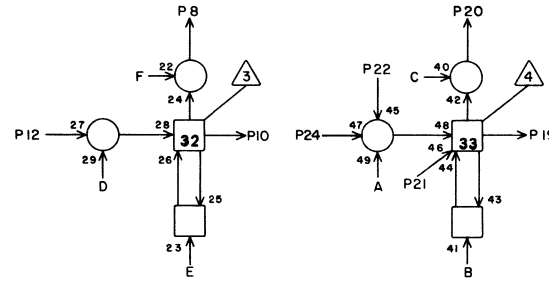
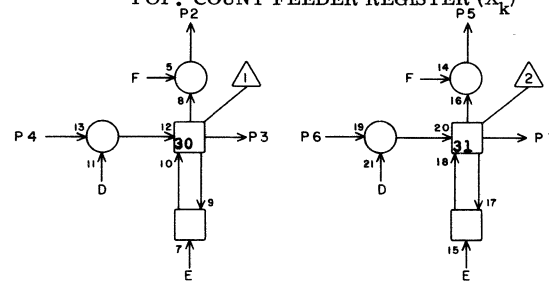
MD 2105

1			
2	H07	28	5
3			
4	P07	20	31
5	H07	25	5
6	P07	22	31
7			
8	H07	6	9
9	H08	28	9
10			
11	I11	9	9
12	P07	24	31
13	I11	22	9
14	I12	9	11
15			
16	P08	20	31
17			
18		Grd	2
19			
20	H07	3	9
21			
22	P07	26	31
23	H08	25	9
24		Grd	2
25			
26	P08	22	29
27			
28		Grd	2

JACK PIN LG

63019700 Rev. H

POP. COUNT FEEDER REGISTER (X_k)



2106

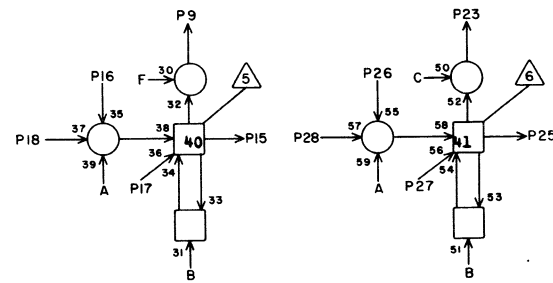
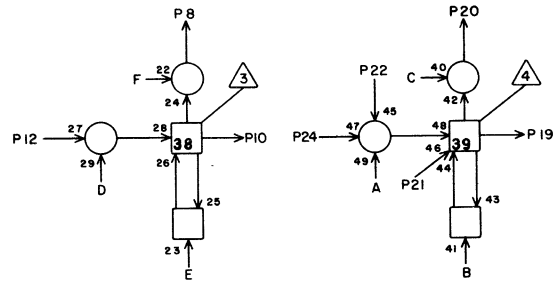
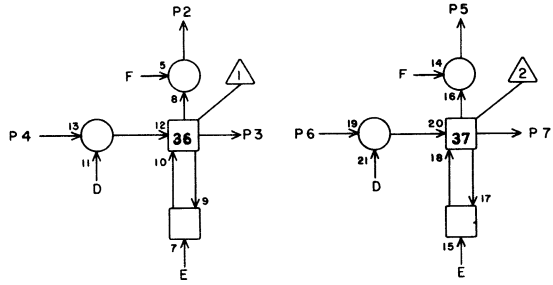
MD 2106

1			
2	H08	6	9
3			
4	P08	24	31
5	H08	3	9
6	P08	26	31
7			
8	H09	28	7
9	H09	6	9
10			
11	I11	11	9
12	P09	20	31
13	I11	20	9
14	I12	11	11
15			
16	P09	24	31
17			
18		Grd	2
19			
20	H09	25	9
21			
22	P09	22	31
23	H09	3	11
24		Grd	2
25			
26	P09	26	31
27			
28		Grd	2

JACK PIN LG

63019700 Rev. H

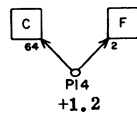
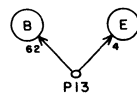
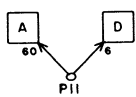
POP. COUNT FEEDER REGISTER (X_k)



Gate In

Clear

Gate Out



+1.2

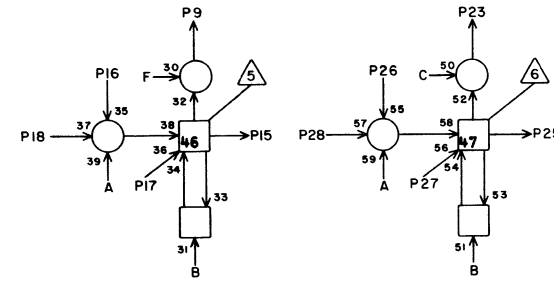
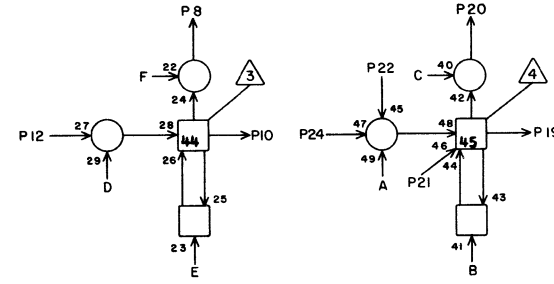
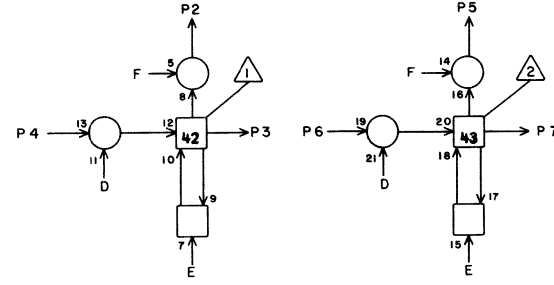
MD 2107

1			
2	H10	28	7
3			
4	P10	20	31
5	H10	25	7
6	P10	22	31
7			
8	H10	6	9
9	H11	28	9
10			
11	I11	13	7
12	P10	24	31
13	I11	18	7
14	I12	13	9
15			
16	M06	20	19
17			
18		Grd	2
19			
20	H10	3	9
21			
22	P10	26	31
23	H11	25	9
24		Grd	2
25			
26	M06	22	19
27			
28		Grd	2

JACK PIN LG

63019700 Rev. H

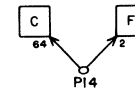
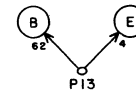
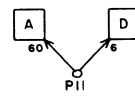
POP. COUNT FEEDER REGISTER (X_k)



Gate In

Clear

Gate Out



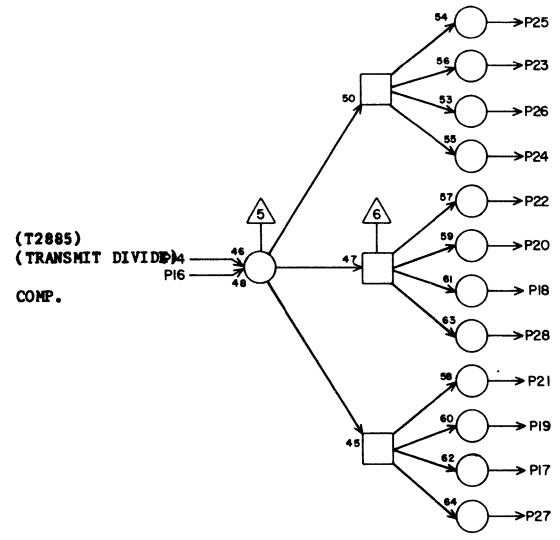
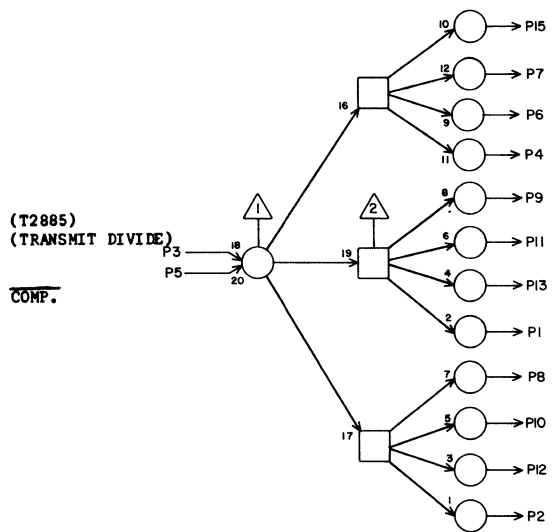
+1.2

MD 2108

1			
2	H11	6	9
3			
4	M06	24	21
5	H11	3	9
6	M06	26	21
7			
8	H12	28	9
9	H12	6	9
10			
11	I11	1	5
12	M07	20	19
13	I11	28	5
14	I12	1	7
15			
16	M07	24	19
17			
18		Grd	2
19			
20	H12	25	9
21			
22	M07	22	19
23	H12	3	11
24		Grd	2
25			
26	M07	26	19
27			
28		Grd	2

JACK PIN LG

63019700 Rev. H

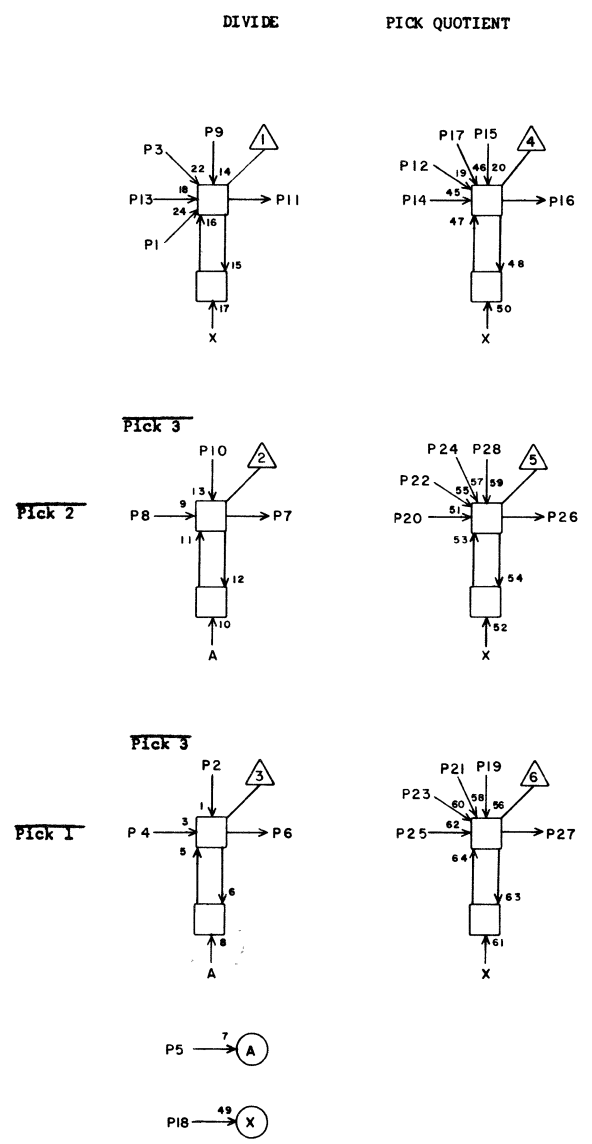


TC 2109

1	K08	12	15
2	K12	12	15
3	J23	13	17
4	K04	12	15
5	I42	2	31
6	K03	12	15
7	K02	12	15
8	K09	12	15
9	K05	12	15
10	K10	12	15
11	K06	12	15
12	K11	12	15
13	K07	12	15
14	J23	12	17
15	K01	12	15
16	I42	5	31
17	K11	14	13
18	K07	14	15
19	K10	14	13
20	K06	14	15
21	K09	14	13
22	K05	14	13
23	K02	14	15
24	K04	14	15
25	K01	14	15
26	K03	14	15
27	K12	14	13
28	K08	14	13

JACK PIN LG

63019700 Rev. H



2110

RD 2110

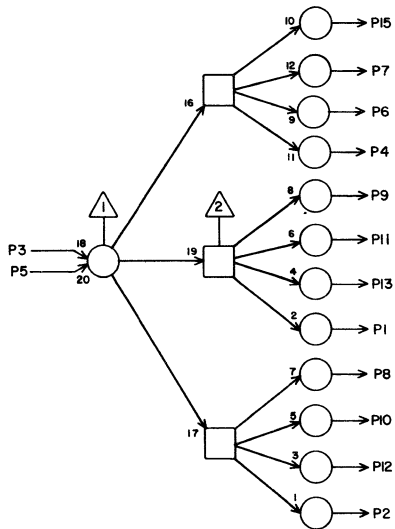
1			
2	K16	22	15
3			
4	K18	20	15
5	J25	4	17
6	I13	8	5
7	I13	5	5
8	K17	20	15
9			
10	K16	20	15
11			
12			
13			
14			
15			
16			
17			
18			
19			
20			
21			
22			
23			
24			
25			
26			
27			
28			

JACK PIN LG

63019700 Rev. H

Go Pop. Count

T40



TC **2111**

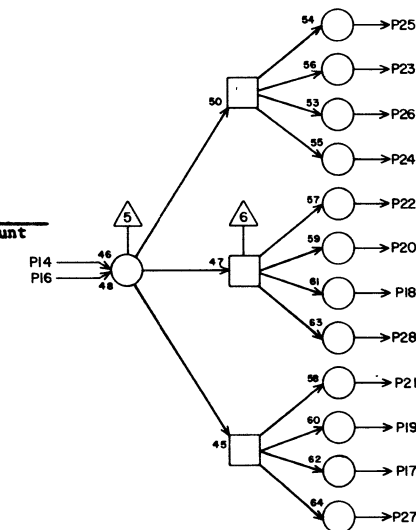
1	I08	11	5
2			
3	D27	25	27
4	I04	11	11
5	I24	9	15
6	I03	11	11
7	I02	11	13
8			
9	I05	11	9
10			
11	I06	11	9
12			
13	I07	11	7
14	G16	9	13
15	I01	11	13
16		Grd	2
17			
18	I07	13	7
19			
20	I06	13	9
21			
22	I05	13	9
23	I02	13	13
24	I04	13	11
25	I01	13	13
26	I03	13	11
27			
28	I08	13	5

JACK PIN LG

63019700 Rev. H

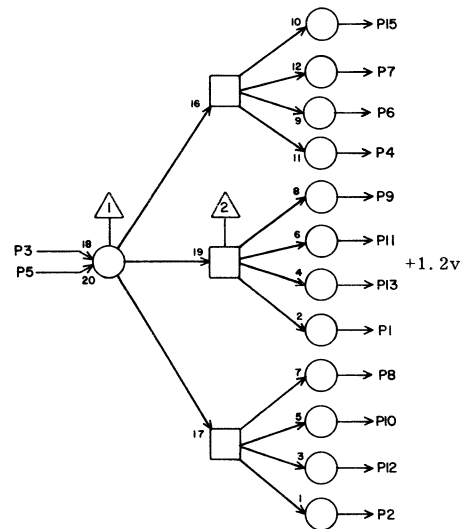
T31 - Go Pop Count

I



IN POPULATION COUNT

GATE
 X_j and X_k
Exponents



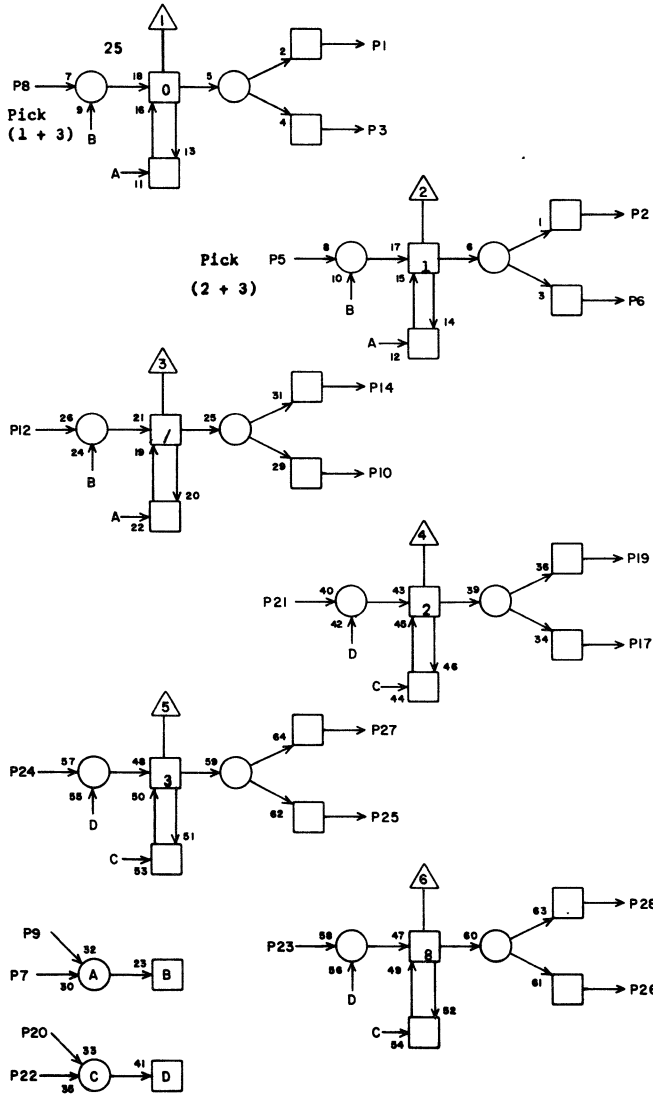
TC **2112**

1	I08	14	7
2	A42	20	41
3		Grd	2
4	I04	14	11
5		Grd	2
6	I03	14	13
7	I02	14	13
8	P15	14	29
9	I05	14	11
10	P15	15	29
11	I06	14	11
12	P15	16	29
13	I07	14	9
14	P15	9	84
15	I01	14	15
16	J25	2	15
17			
18			
19			
20	M10	2	19
21			
22	M09	2	19
23	L09	2	15
24	M08	2	19
25	L08	2	15
26	L10	2	15
27			
28			

JACK PIN LG

63019700 Rev. H

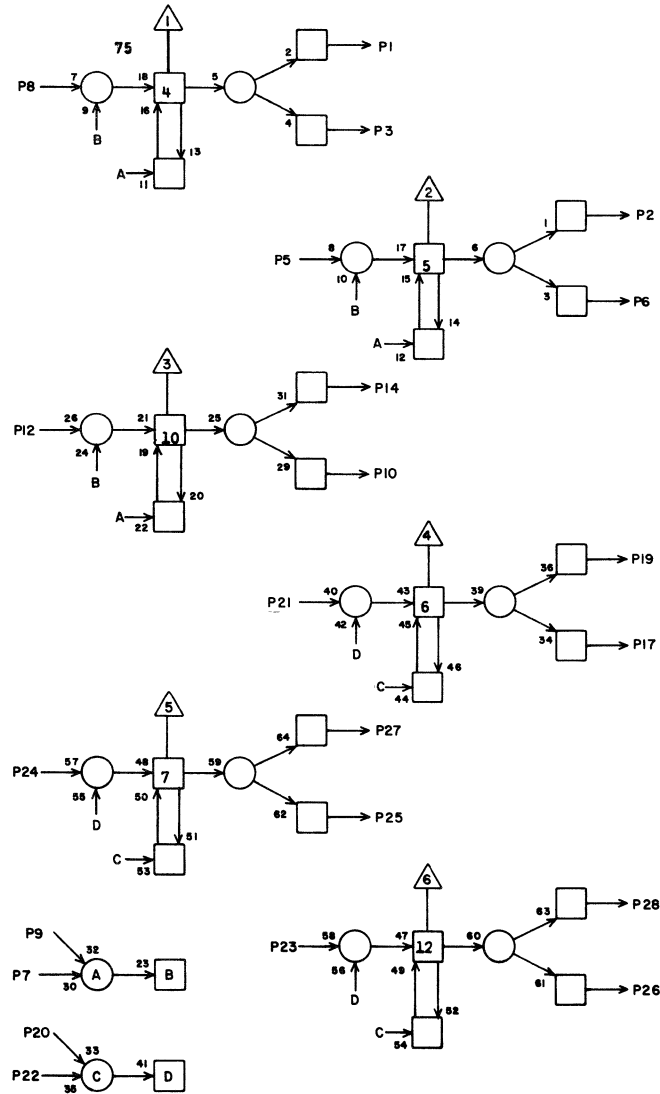
QUOTIENT LEFT -- SHIFT REGISTER



PA		2I13	
1	I13	21	5
2	I13	24	5
3	J16	1	9
4			
5	I10	7	5
6	J16	2	9
7	E16	6	19
8	I10	6	5
9	E11	1	19
10	I13	23	5
11			
12	I14	17	5
13			
14			
15			
16			
17	I14	8	3
18			
19	J16	3	9
20	E16	5	21
21	I13	1	5
22	E11	2	19
23	I13	10	5
24	I13	2	5
25	I14	5	5
26	I14	12	5
27	J16	5	7
28	J17	1	9

JACK PIN LG

63019700 Rev. H

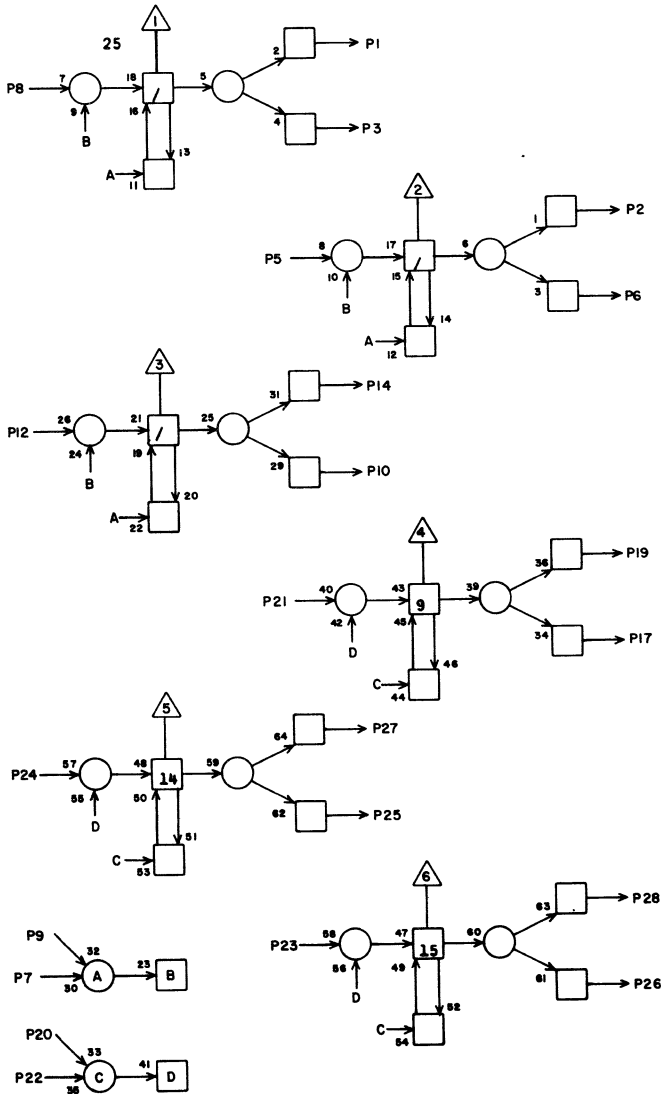


PA		2I14	
1	I14	21	5
2	I14	24	5
3	J16	23	11
4			
5	I13	25	5
6	J16	25	11
7	E16	16	19
8	I13	17	3
9	E11	3	19
10	I14	23	5
11			
12	I13	26	5
13			
14	J17	3	9
15			
16			
17	I13	12	5
18			
19	J16	28	9
20	E16	15	19
21	I14	1	5
22	E11	4	19
23	I14	10	5
24	I14	2	5
25	I15	8	5
26	I15	5	5
27	J16	27	9
28	J17	23	9

JACK PIN LG

2I14

63019700 Rev. H

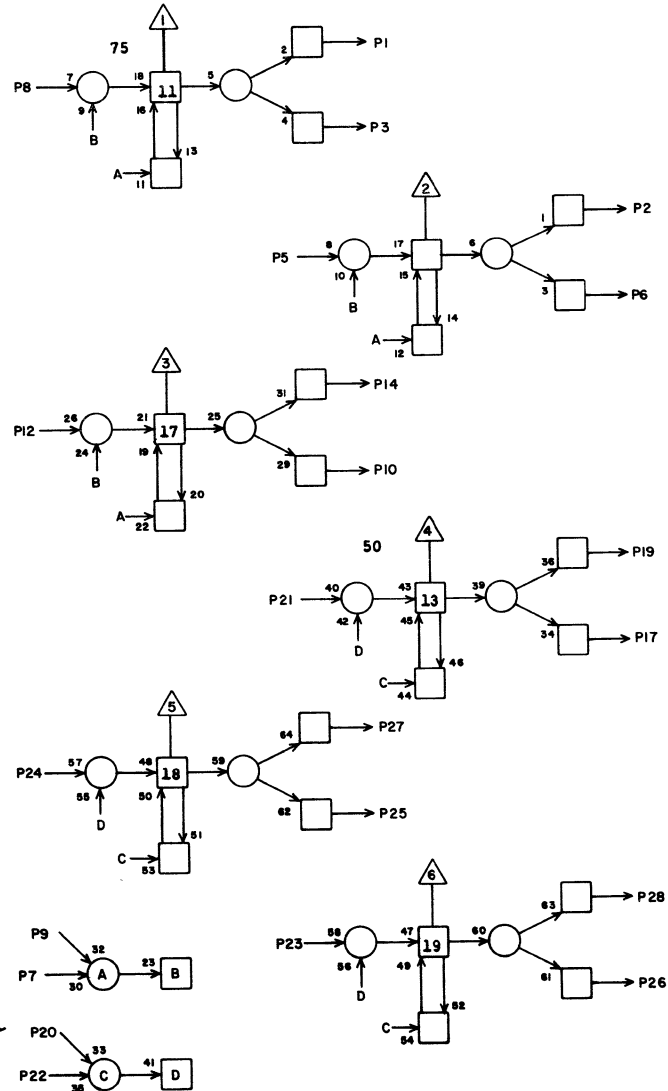


PA 2115

1	I15	21	5
2	I15	24	5
3			
4			
5	I14	26	5
6			
7	E16	8	19
8	I14	25	5
9	E11	5	19
10	I15	23	5
11			
12	I16	17	5
13			
14			
15			
16			
17	I16	8	5
18			
19	J17	2	7
20	E16	7	21
21	I15	1	5
22	E11	6	19
23	I15	10	5
24	I15	2	5
25	I16	5	5
26	I16	12	5
27	J17	28	7
28	J17	27	7

JACK PIN LG

63019700 Rev. H

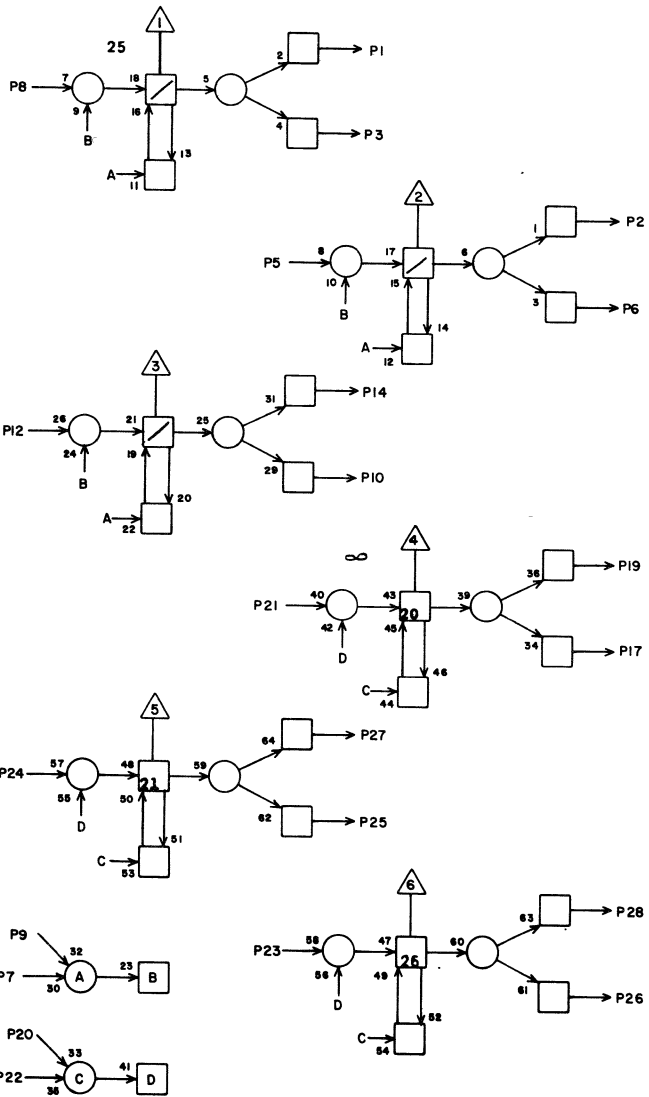


PA 2116

1	I16	21	5
2	I16	24	5
3	J17	5	9
4			
5	I15	25	5
6	J18	1	9
7	E16	18	19
8	I15	17	5
9	E11	7	19
10	I16	23	5
11			
12	I15	26	5
13			
14	J18	2	9
15			
16			
17	I15	12	5
18			
19	J17	25	9
20	E16	17	19
21	I16	1	5
22	E11	8	21
23	I16	10	5
24	I16	2	5
25	I17	8	5
26	I17	5	5
27	J18	3	5
28	J18	5	5

JACK PIN LG

63019700 Rev. H



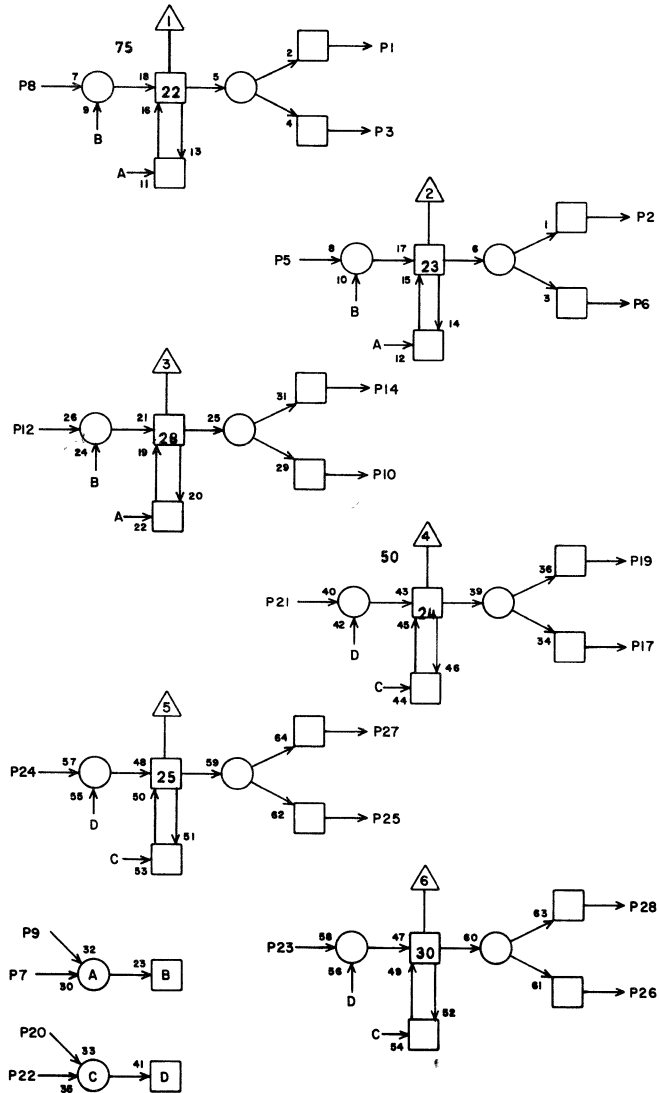
PA

2117

1	I17	21	5
2	I17	24	5
3			
4			
5	I16	26	5
6			
7	E16	10	19
8	I16	25	5
9	E11	9	19
10	I17	23	5
11			
12	I18	17	5
13			
14			
15			
16			
17	I18	8	3
18			
19	J19	23	7
20	E16	9	21
21	I17	1	5
22	E11	10	21
23	I17	10	5
24	I17	2	5
25	I18	5	5
26	I18	12	5
27	J18	25	7
28	J19	3	5

JACK PIN LG

63019700 Rev.H



PA

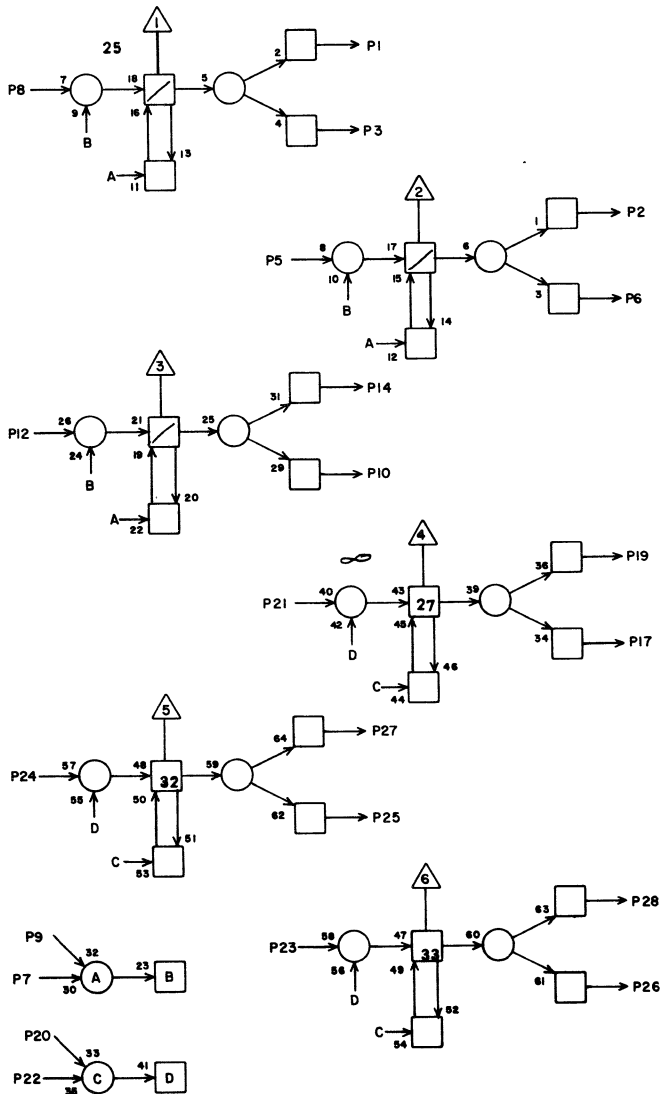
2118

1	I18	21	5
2	I18	24	5
3	J18	28	9
4			
5	I17	25	5
6	J18	27	9
7	E16	20	19
8	I17	17	3
9	E11	11	19
10	I18	23	5
11			
12	I17	26	5
13			
14	J19	23	9
15			
16			
17	I17	12	5
18			
19	J19	1	5
20	E16	19	19
21	I18	1	5
22	E11	13	21
23	I18	10	5
24	I18	2	5
25	J19	8	5
26	I19	5	5
27	J19	2	7
28	J19	28	7

JACK PIN LG

63019700 Rev.H

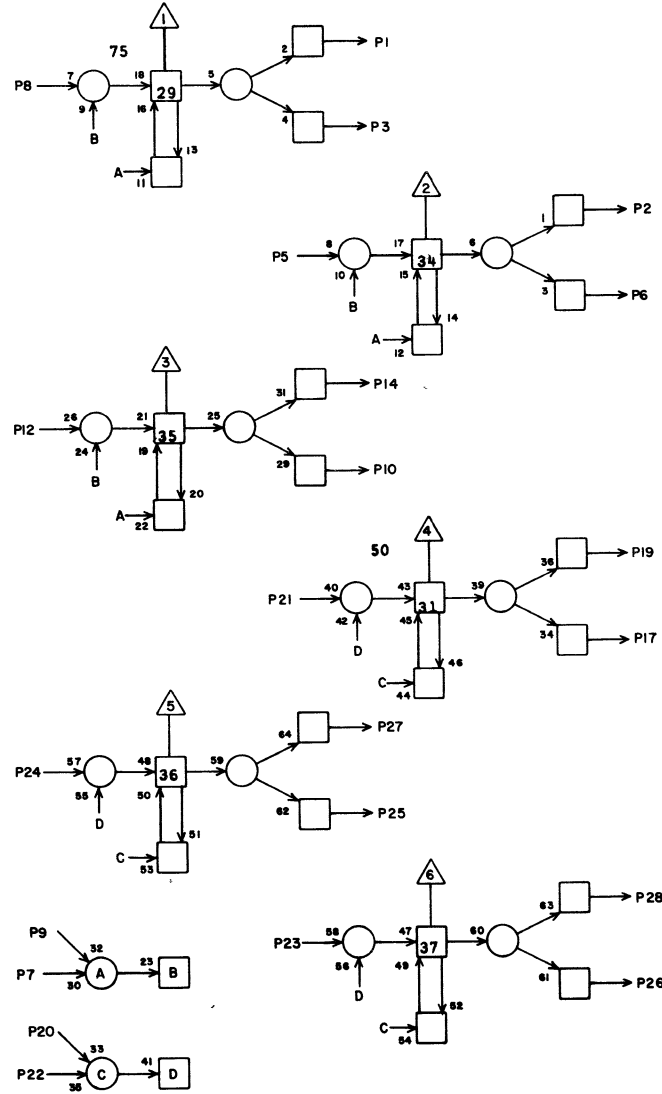
2118



PA 2119

1	I19	21	5
2	I19	24	5
3			
4			
5	I18	26	5
6			
7	E16	12	19
8	I18	25	5
9	E11	15	19
10	I19	23	5
11			
12	I20	17	5
13			
14			
15			
16			
17	I20	8	3
18			
19	J19	5	5
20	E16	11	19
21	I19	1	5
22	E11	17	21
23	I19	10	5
24	I19	12	5
25	I20	5	5
26	I20	12	5
27	J20	1	5
28	J20	2	5
JACK PIN LG			

63019700 Rev. H

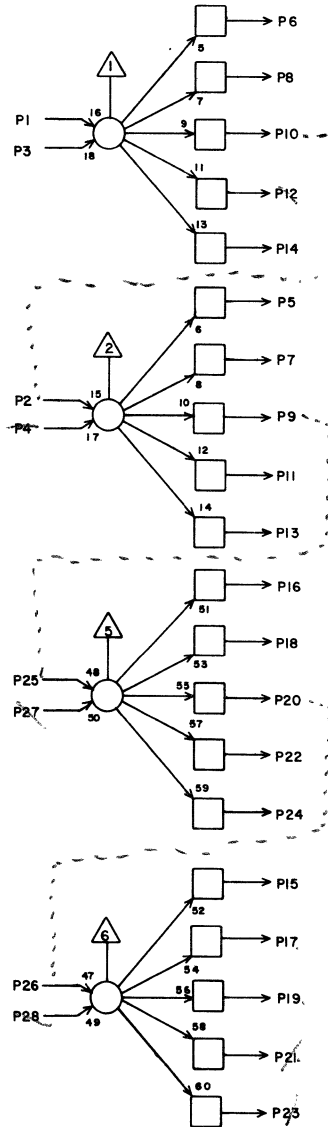


PA 2120

1	I20	21	5
2	I20	24	5
3	J19	25	9
4			
5	I19	25	5
6	J20	3	7
7	E16	22	19
8	I19	17	3
9	E11	18	21
10	I20	23	5
11			
12	I19	26	5
13			
14	J20	5	5
15			
16			
17	I19	12	5
18			
19	J19	27	7
20	E16	21	19
21	I20	1	5
22	E11	19	21
23	I20	10	5
24	I20	2	5
25	E12	8	21
26	E12	5	21
27	J20	23	7
28	J20	25	7
JACK PIN LG			

63019700 Rev. H

CHASSIS 2 CLOCK



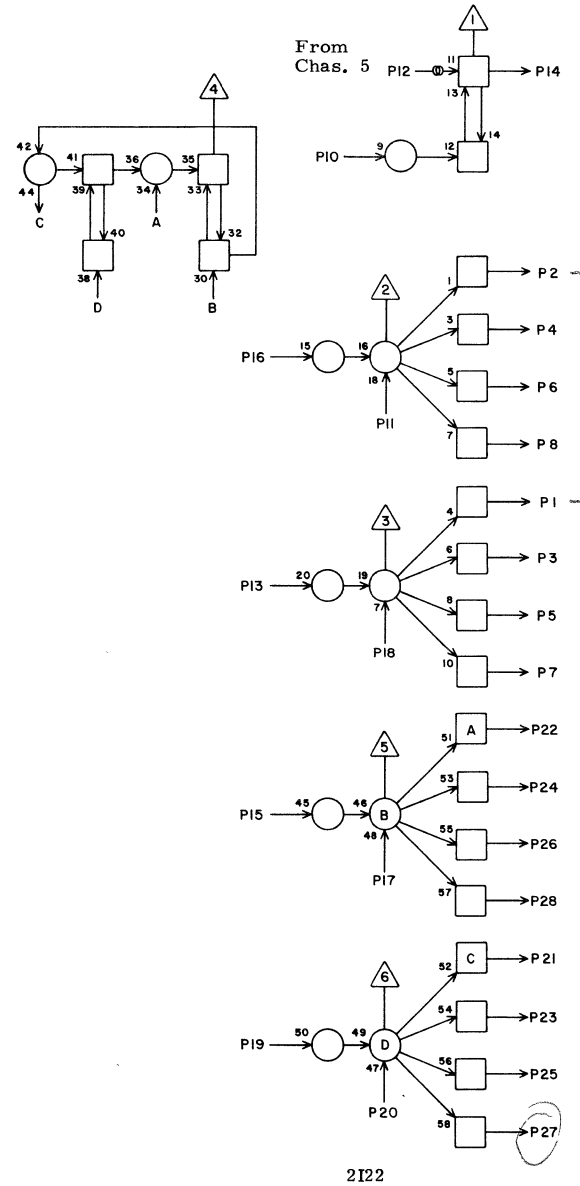
T D 2I21

1	I22	14	84
2	I21	10	84
3			
4			
5			
6	I22	10	84
7	I22	18	5
8	I22	11	5
9	I21	25	84
10	I21	2	84
11	I22	16	3
12			
13			
14	I22	19	5
15			
16			
17	I22	20	3
18	I22	17	5
19	I22	15	5
20	I21	26	84
21			
22			
23			
24	I22	13	5
25	I21	9	84
26	I21	20	84
27			
28			

JACK PIN LG

63019700 Rev. R

CHASSIS 2 CLOCK



2I22

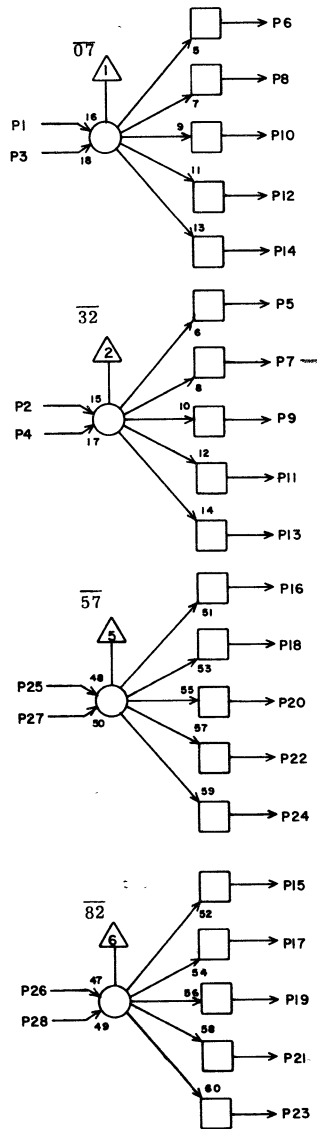
HQ 2I22

1	I23	2	3
2	I23	1	5
3	C7	13	29
4	M42	3	27
5	H26	14	9
6	I24	1	5
7	E01	10	27
8	C7	16	29
9			
10	I21	6	84
11	I21	8	5
12	W14	901	
13	I21	24	5
14	I21	1	84
15	I21	19	5
16	I21	11	3
17	I21	18	5
18	I21	7	5
19	I21	14	5
20	I21	17	3
21	I23	26	3
22	M42	14	27
23	H26	3	11
24	I23	25	5
25	A35	27	33
26			
27	C7	19	29
28	C7	15	31

JACK PIN LG

63019700 Rev. R

CLOCK FANOUTS

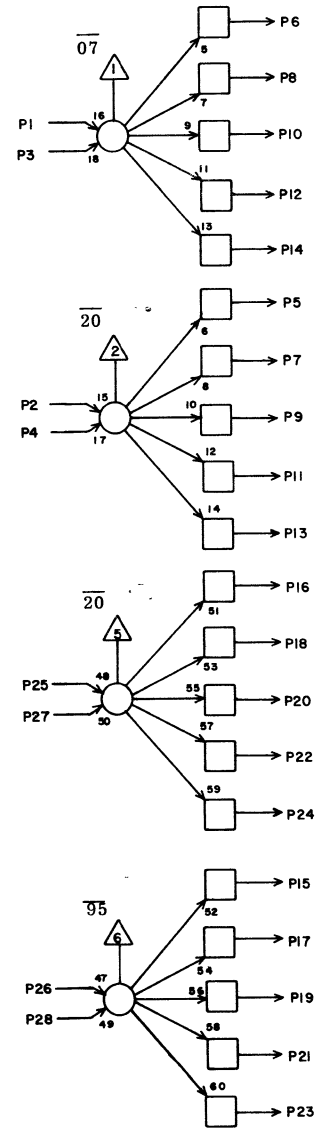


T D **2123**

1	I22	2	3
2	I22	1	3
3			
4			
5	H24	1	9
6			
7	E16	25	19
8	E17	9	19
9	L11	9	19
10			
11	E26	23	19
12			
13	J32	20	13
14	E16	26	17
15	I24	26	5
16	H24	2	9
17			
18	G10	5	27
19	E16	1	23
20	J32	9	13
21	O11	5	33
22	E16	2	21
23	E17	20	21
24	J03	14	41
25	I22	24	5
26	I22	21	3
27			
28			

JACK PIN LG

CLOCK FANOUTS



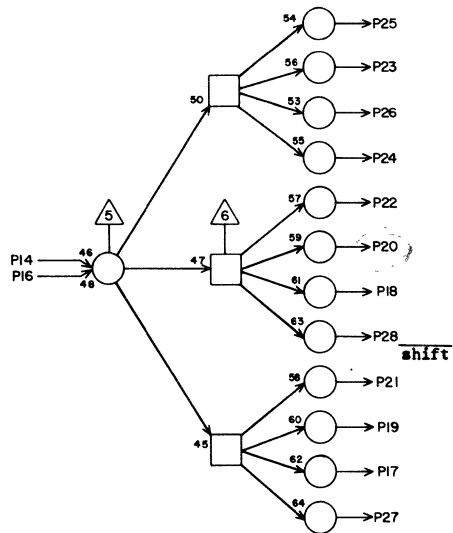
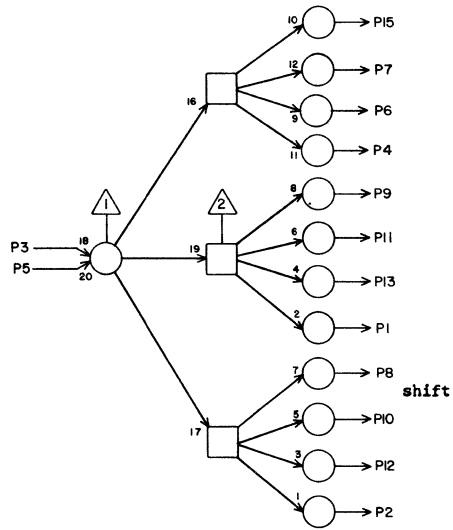
T D **2124**

1	I22	6	5
2	I24	6	3
3			
4			
5	I26	5	72
6	I24	2	3
7			
8	I24	25	5
9	I11	5	15
10	J01	16	25
11	D22	20	23
12	H32	7	13
13	D24	20	21
14	H32	22	13
15	D21	7	23
16	D26	20	23
17	D23	7	21
18	J42	2	19
19	D25	7	23
20	I27	5	60
21	D27	7	23
22	I27	23	60
23	G16	3	15
24	J42	1	29
25	I24	8	5
26	I23	15	5
27			
28			

JACK PIN LG

DIVIDE

QUOTIENT R. SHIFT 1



TC

2125

1	J19	24	13
2	J21	24	11
3	H25	16	7
4	J17	24	13
5			
6	J17	6	13
7	J16	24	13
8	J20	6	11
9	J18	6	13
10	J20	24	11
11	J18	24	13
12	J21	6	9
13	J19	6	11
14	H24	16	9
15	J16	6	13
16			
17	J21	4	9
18	J19	4	11
19	J20	26	11
20	J18	26	13
21	J20	4	9
22	J18	6	11
23	J16	26	13
24	J17	26	13
25	J16	4	13
26	J17	4	13
27	J21	26	9
28	J19	26	11

JACK PIN LG

63019700 Rev. H

HC

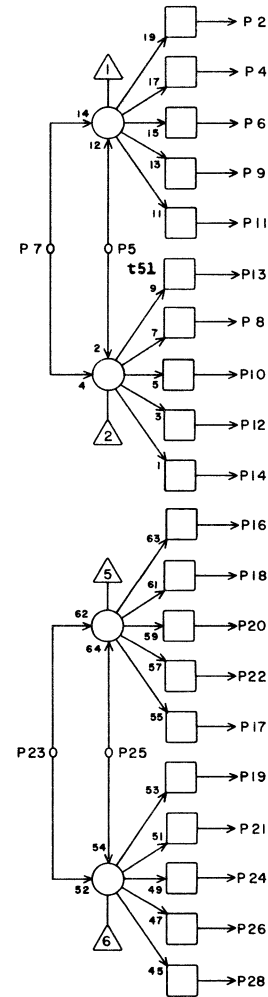
2126

1			
2	J28	14	9
3			
4	J28	19	9
5	I24	5	72
6	J29	14	9
7	H42	18	19
8	J31	14	11
9	J29	19	9
10	J31	19	11
11	J30	14	9
12	A40	9	35
13	J30	19	9
14	A40	20	35
15			
16			
17			
18			
19			
20			
21			
22			
23			
24			
25			
26			
27			
28			

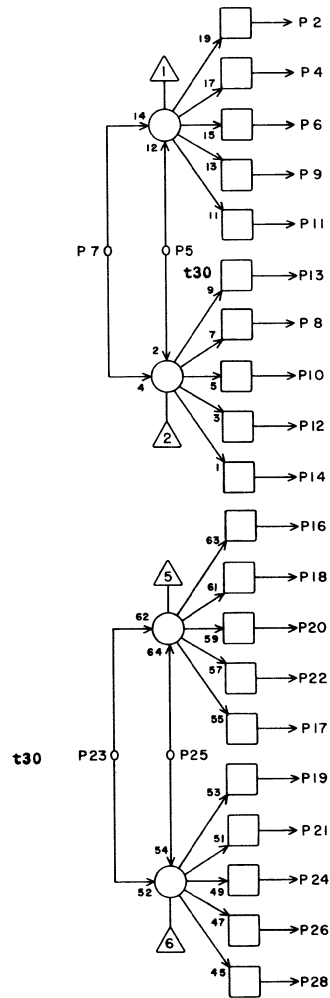
JACK PIN LG

63019700 Rev. H

Go Divide



2126



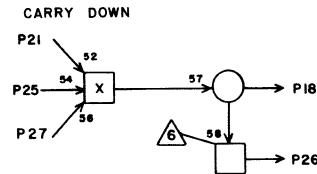
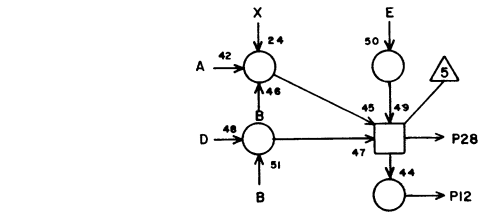
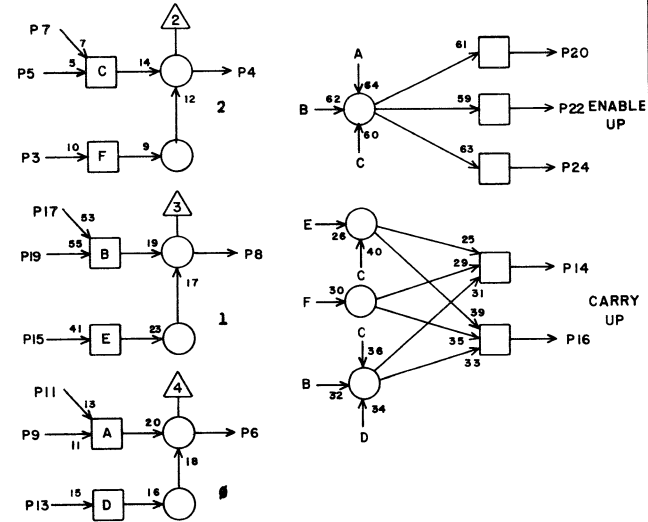
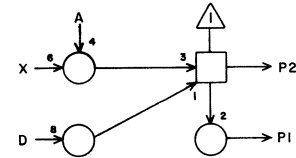
HC 2127

1			
2	J33	14	11
3			
4	J33	19	13
5	I24	20	60
6	J34	14	13
7	I32	2	9
8	J36	14	13
9	J34	19	13
10	J36	19	13
11	J35	14	13
12	A35	21	35
13	J35	19	13
14			
15			
16	J38	14	15
17	J40	14	17
18	J38	19	15
19	J40	19	17
20	J39	14	15
21	J41	14	17
22	J39	19	15
23	I24	22	60
24	J41	19	17
25	I32	23	9
26	A35	26	35
27			
28			

JACK PIN LG

63019700 Rev.H

DIVIDE EXP. $X_j - X_k$



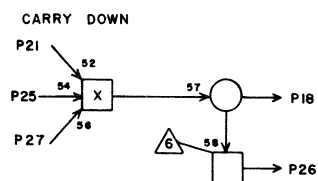
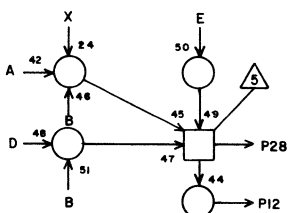
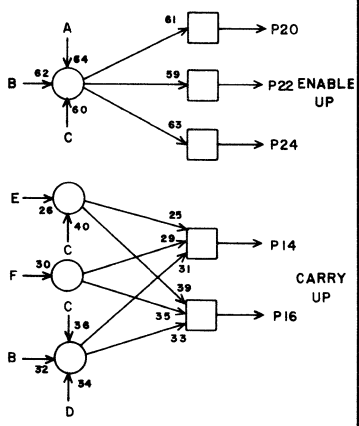
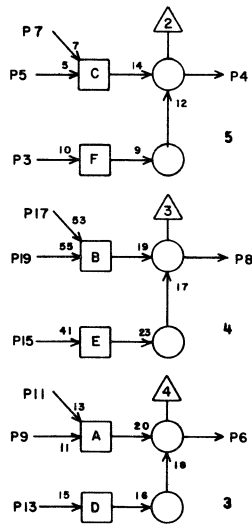
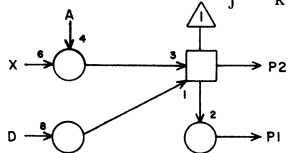
QB 2128

1	G28	5	13
2	G28	6	13
3	J28	23	9
4	G28	24	11
5	J28	25	9
6	G28	10	13
7	J28	28	9
8	G28	7	13
9	J28	1	7
10			
11	J28	5	7
12	G28	26	11
13	J28	9	7
14	K37	23	17
15	J28	10	7
16	K36	6	15
17	J28	17	7
18	G28	8	13
19	J28	8	5
20			
21	K36	13	15
22	K36	26	15
23			
24	K37	19	15
25	K36	17	15
26	G28	9	13
27			
28	G28	25	13

JACK PIN LG

63019700 Rev. H

DIVIDE, EXPONENT $X_j - X_k$



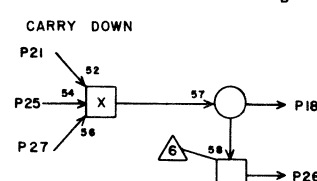
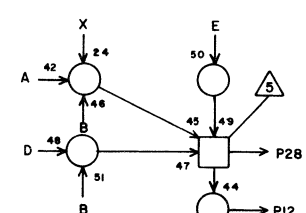
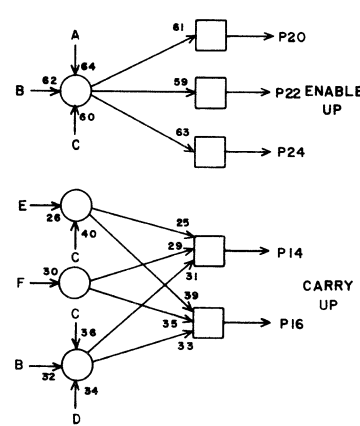
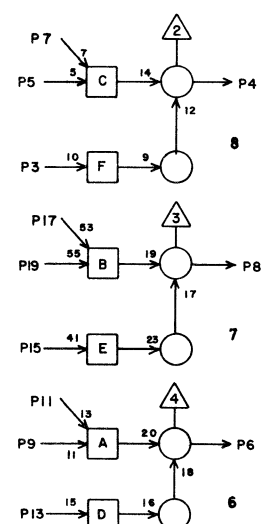
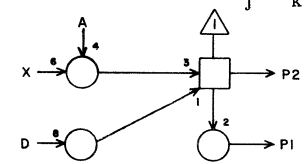
QB 2I29

1	G29	8	11
2	G29	9	11
3	J29	23	9
4	G29	7	11
5	J29	25	9
6	G28	21	11
7	J29	28	9
8	G29	10	13
9	J29	1	7
10			
11	J29	5	7
12	G29	5	13
13	J29	9	7
14	K36	8	13
15	J29	10	7
16	K37	6	15
17	J29	17	7
18	G28	23	11
19	J29	8	5
20	K36	4	13
21	K37	13	15
22	K36	28	15
23			
24	K37	26	15
25	K37	17	13
26	G28	22	13
27	K37	21	15
28	G29	6	13

JACK PIN LG

63019700 Rev. H

DIVIDE, EXPONENT $X_j - X_k$



QB 2I30

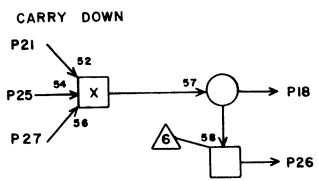
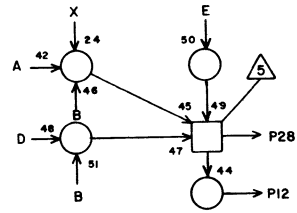
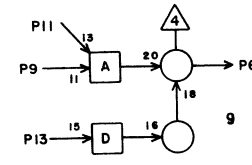
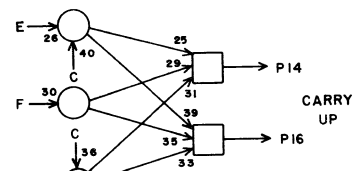
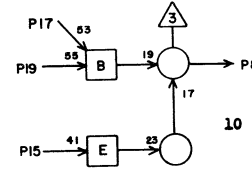
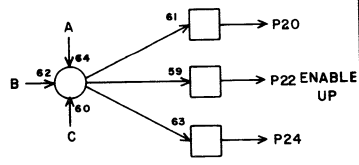
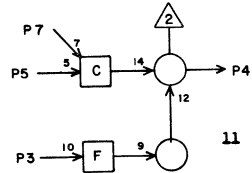
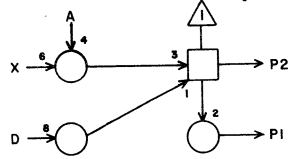
1	G29	23	11
2	G29	22	11
3	J30	23	9
4	G30	10	11
5	J30	25	9
6	G29	24	11
7	J30	28	9
8	G29	21	11
9	J30	1	7
10			
11	J30	5	7
12	G30	8	13
13	J30	9	7
14	K36	14	13
15	J30	10	7
16	K37	8	13
17	J30	17	7
18	G29	26	11
19	J30	8	5
20	K37	4	13
21	K36	12	13
22	K36	3	13
23			
24	K37	28	15
25			
26	G29	25	13
27	K36	10	15
28	G30	9	13

JACK PIN LG

63019700 Rev. H

2I30

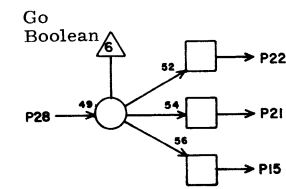
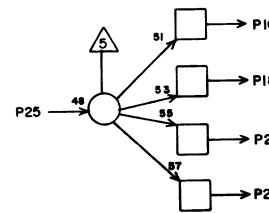
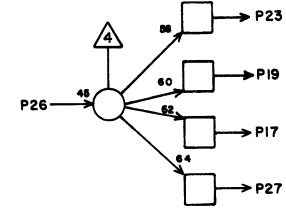
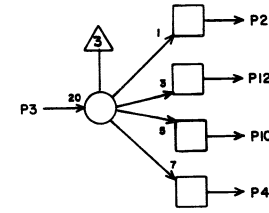
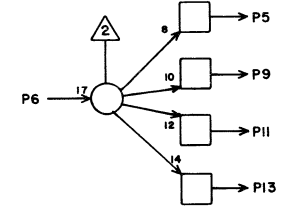
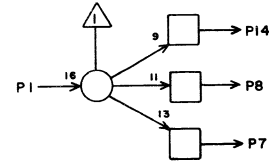
DIVIDE, EXPONENT $X_j - X_k$



QB 2I31

1	G30	26	9
2	G30	25	9
3	J31	23	9
4	G30	21	11
5	J31	25	9
6	G30	7	13
7	J31	28	9
8	G30	24	11
9	J31	1	7
10			
11	J31	5	7
12	G30	23	11
13	J31	9	7
14	K36	20	13
15	J31	10	7
16	K37	14	13
17	J31	17	7
18	G30	5	13
19	J31	8	5
20	K36	16	13
21	K37	12	13
22	K36	5	13
23			
24	K37	3	13
25	K37	24	13
26	G30	6	13
27	K37	10	13
28	G30	22	13

JACK PIN LG



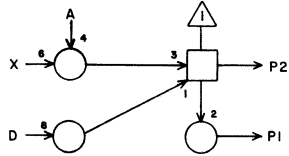
TH 2I32

1	H32	6	9
2	I27	7	9
3	D28	18	23
4			
5	G27	3	15
6	H32	18	5
7	H37	3	9
8	I37	3	9
9	I37	4	9
10	D10	13	29
11	H42	3	15
12	J32	8	7
13			
14	G25	3	29
15	D27	21	25
16	G23	16	17
17	D10	21	29
18	G23	5	17
19	J32	5	5
20	G22	16	23
21	A39	23	180
22	A39	17	180
23	I27	25	9
24	G22	5	23
25	D10	1	31
26	D28	26	23
27			
28	D27	1	120

JACK PIN LG

MULT. 1 EXP.

$X_j + X_k$

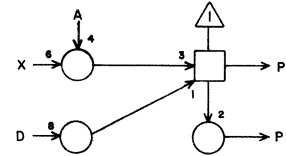


QB 2I33

1	G33	5	11
2	G33	6	11
3	J33	23	9
4	G33	24	11
5	J33	25	9
6	G33	10	11
7	J33	28	9
8	G33	7	11
9	J33	1	7
10			
11	J33	5	7
12	G33	26	11
13	J33	9	7
14	K39	23	15
15	J33	10	7
16	K38	6	13
17	J33	17	7
18	G33	8	13
19	J33	8	5
20			
21	K38	13	13
22	K38	26	13
23			
24	K39	19	11
25	K38	17	13
26	G33	9	13
27			
28	G33	25	13
	JACK	PIN	LG

63019700 Rev.H

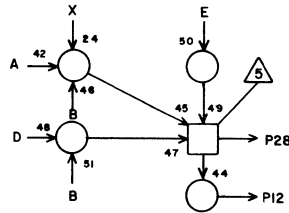
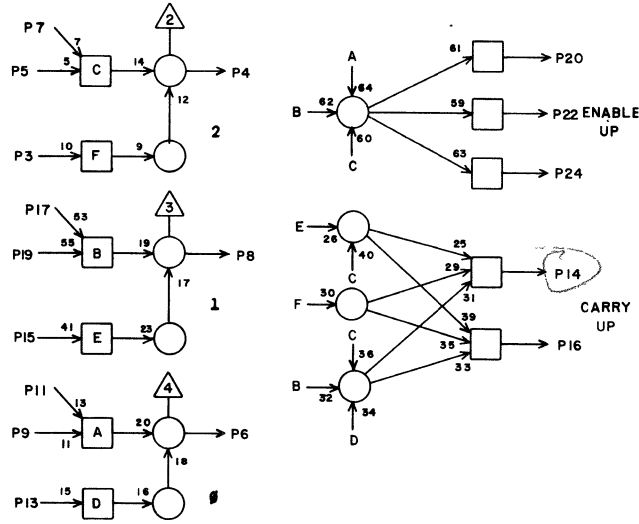
MULTIPLY 1, EXPONENT $X_j + X_k$



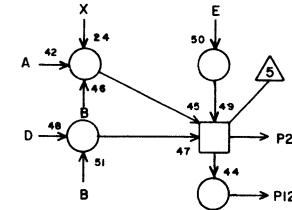
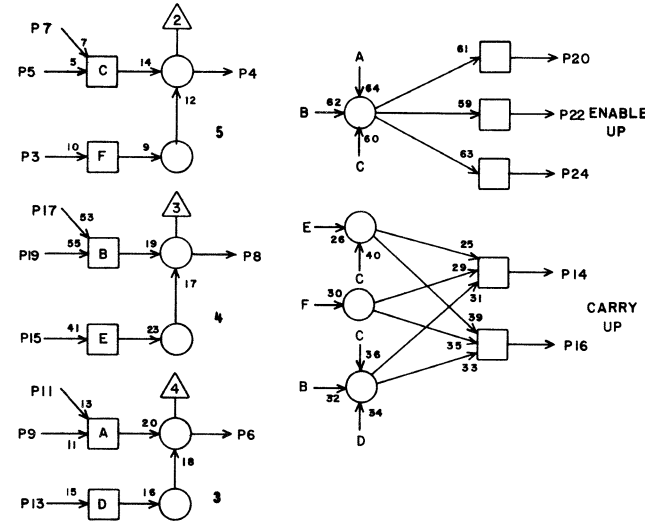
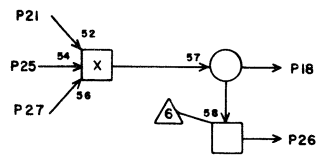
QB 2I34

1	G34	8	11
2	G34	9	11
3	J34	23	9
4	G34	7	11
5	J34	25	9
6	G33	21	11
7	J34	28	9
8	G34	10	11
9	J34	1	7
10			
11	J34	5	7
12	G34	5	13
13	J34	9	7
14	K38	8	13
15	J34	10	7
16	K39	6	13
17	J34	17	7
18	G33	23	11
19	J34	8	5
20	K38	4	11
21	K39	13	13
22	K38	28	13
23			
24	K39	26	13
25	K39	17	13
26	G33	22	13
27	K39	21	13
28	G34	6	13
	JACK	PIN	LG

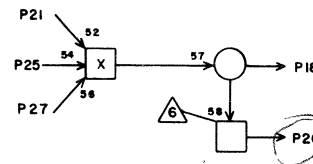
63019700 Rev.H



CARRY DOWN

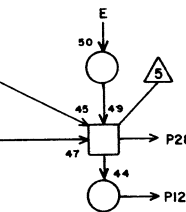
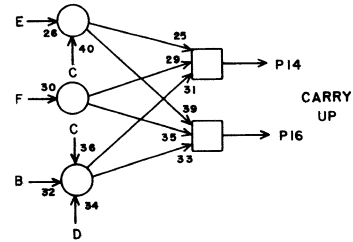
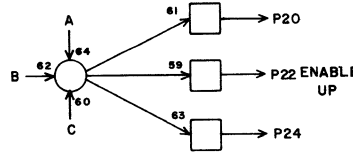
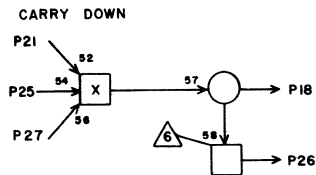
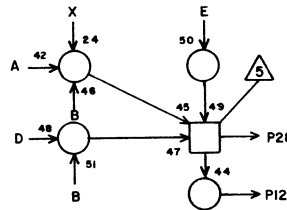
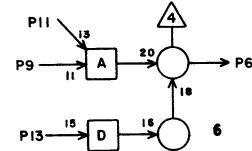
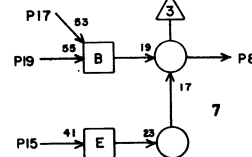
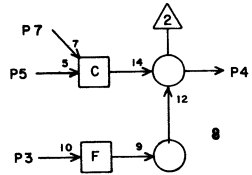
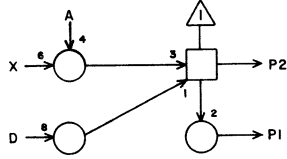


CARRY DOWN



2I34

MULTIPLY 1, EXPONENT $X_j + X_k$



QB

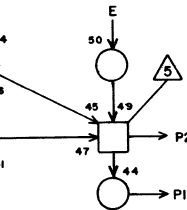
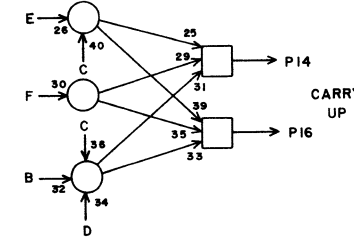
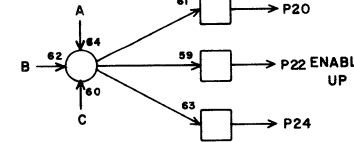
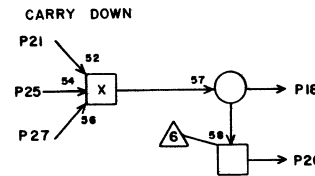
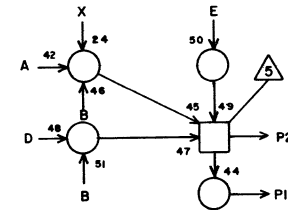
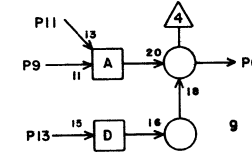
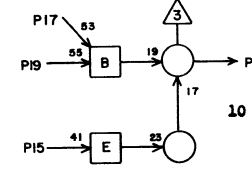
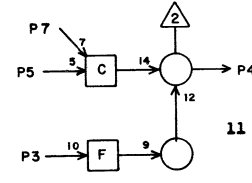
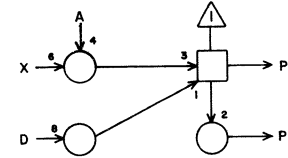
2I36

1	G34	23	11
2	G34	22	11
3	J35	23	9
4	G35	10	11
5	J35	25	9
6	G34	24	11
7	J35	28	9
8	G34	21	11
9	J35	1	7
10			
11	J35	5	7
12	G35	8	13
13	J35	9	7
14	K38	14	13
15	J35	10	7
16	K39	8	13
17	J35	17	7
18	G34	26	11
19	J35	8	5
20	K39	4	11
21	K38	12	11
22	K38	3	11
23			
24	K39	28	13
25			
26	G34	25	13
27	K38	10	11
28	G35	9	13

JACK PIN LG

63019700 Rev. H

MULTIPLY 1, EXPONENT $X_j + X_k$



QB

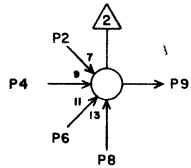
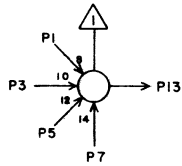
2I36

1	G35	26	11
2	G35	25	11
3	J36	23	9
4	G35	21	11
5	J36	25	9
6	G35	7	11
7	J36	28	9
8	G35	24	11
9	J36	1	7
10			
11	J36	5	7
12	G35	23	13
13	J36	9	7
14	K38	20	13
15	J36	10	7
16	K39	14	13
17	J36	17	7
18	G35	5	11
19	J36	8	5
20	K38	16	13
21	K39	12	11
22	K38	5	11
23			
24	K39	3	11
25	K39	24	13
26	G35	6	13
27	K39	10	11
28	G35	22	13

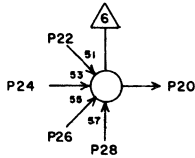
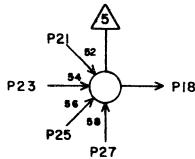
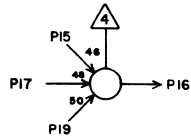
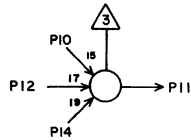
JACK PIN LG

63019700 Rev. H

Xmit Mult. 1



Xmit Mult. 1



TI 2I37

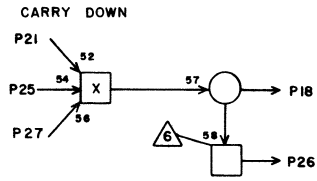
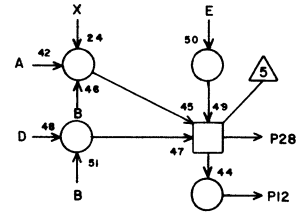
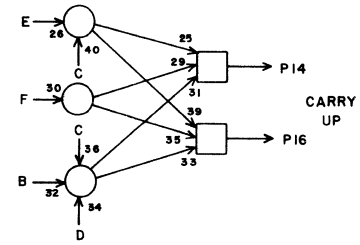
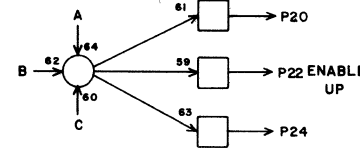
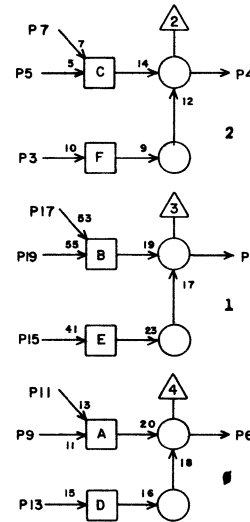
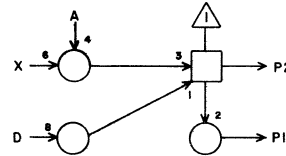
1	I37	11	5
2	I37	16	5
3	I32	8	9
4	I32	9	8
5	I37	18	5
6	I37	20	5
7	A32	1	38
8	A32	19	31
9	K15	25	23
10	009	12	35
11	I37	1	5
12			
13	K15	27	23
14			
15	009	20	35
16	I37	2	5
17			
18	I37	5	5
19			
20	I37	6	5
21	J42	13	9
22	J42	9	9
23			
24			
25			
26			
27			
28			

JACK PIN LG

63019700 Rev. AD

MULT. 2 EXP.

$X_j + X_k$



QB 2I38

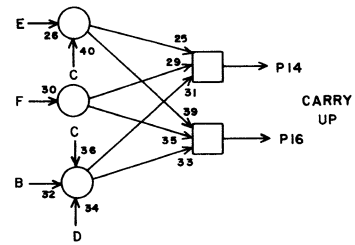
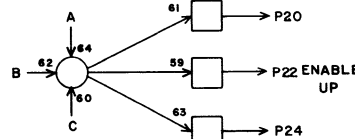
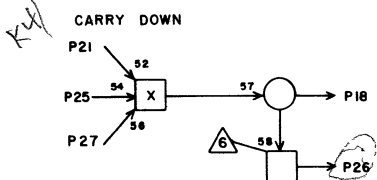
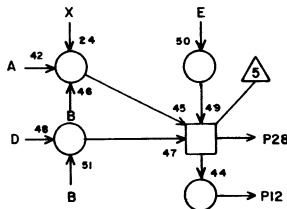
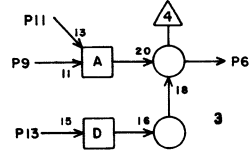
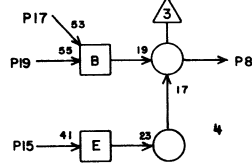
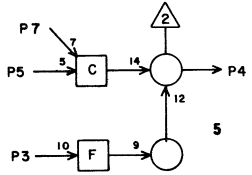
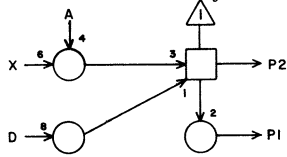
1	G38	5	13
2	G38	6	13
3	J38	23	9
4	G38	24	11
5	J38	25	9
6	G38	10	13
7	J38	28	9
8	G38	7	18
9	J38	1	5
10			
11	J38	5	7
12	G38	26	11
13	J38	9	7
14	K41	23	13
15	J38	10	5
16	K40	6	11
17	J38	17	7
18	G38	8	13
19	J38	8	5
20			
21	K40	13	11
22	K40	26	13
23			
24	K41	19	13
25	K40	17	11
26	G38	9	13
27			
28	G38	25	13

JACK PIN LG

63019700 Rev. H

2I38

MULTIPLY 2, EXPONENT $X_j + X_k$



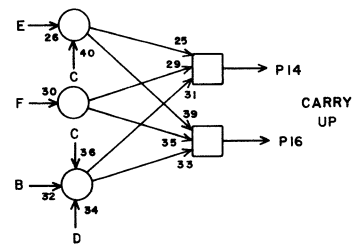
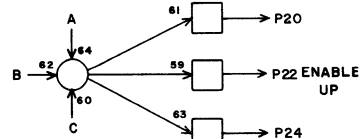
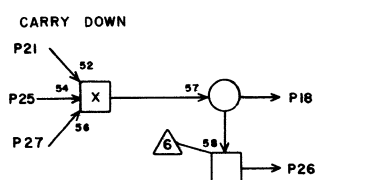
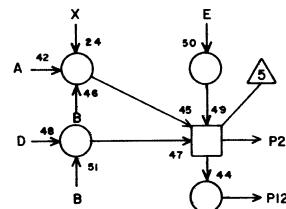
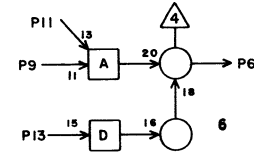
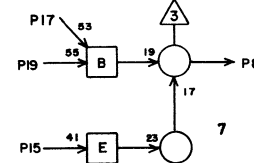
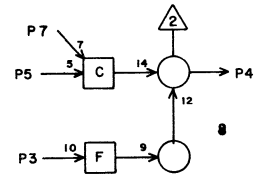
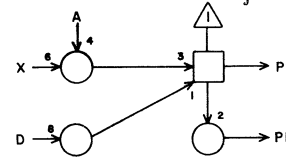
QB 2I39

1	G39	8	11
2	G39	9	11
3	J39	23	9
4	G39	7	13
5	J39	25	9
6	G39	21	11
7	J39	28	9
8	G39	10	13
9	J39	1	5
10			
11	J39	5	7
12	G39	5	13
13	J39	9	7
14	K40	8	11
15	J39	10	5
16	K41	6	11
17	J39	17	7
18	G39	23	11
19	J39	8	5
20	K40	4	11
21	K41	13	11
22	K40	28	13
23			
24	K41	26	13
25	K41	17	11
26	G39	22	13
27	K41	21	11
28	G39	6	13

JACK PIN LG

63019700 Rev. H

MULTIPLY 2, EXPONENT $X_j + X_k$



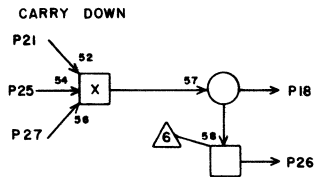
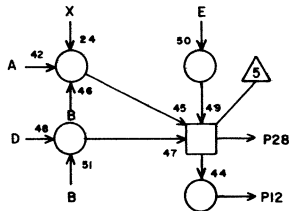
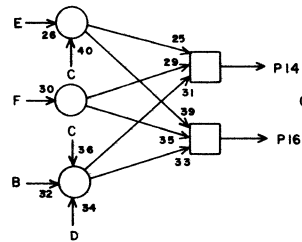
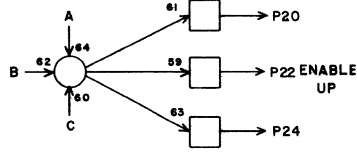
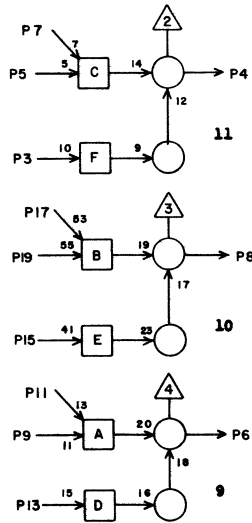
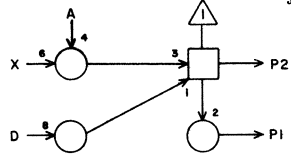
QB 2I40

1	G39	23	11
2	G39	22	11
3	J40	23	9
4	G40	10	11
5	J40	25	9
6	G39	24	11
7	J40	28	9
8	G39	21	11
9	J40	1	5
10			
11	J40	5	7
12	G40	8	13
13	J40	9	7
14	K40	14	13
15	J40	10	5
16	K41	8	11
17	J40	17	7
18	G39	26	11
19	J40	8	5
20	K41	4	11
21	K40	12	11
22	K40	3	11
23			
24	K41	28	13
25			
26	G39	25	13
27	K40	10	11
28	G40	9	13

JACK PIN LG

63019700 Rev. H

MULTIPLY 2, EXPONENT $X_j + X_k$



QB 2I41

1	G40	26	9
2	G40	25	9
3	J41	23	9
4	G40	21	11
5	J41	25	9
6	G40	7	11
7	J41	28	9
8	G40	24	11
9	J41	1	5
10			
11	J41	5	7
12	G40	23	11
13	J41	9	7
14	K40	20	13
15	J41	10	5
16	K41	18	13
17	J41	17	7
18	G40	5	13
19	J41	8	5
20	K40	16	11
21	K41	12	11
22	K40	5	11
23			
24	K41	3	11
25	K41	24	11
26	G40	6	13
27	K41	10	11
28	G40	22	13

JACK PIN LG

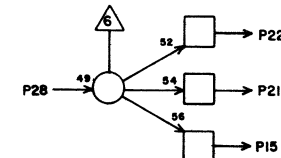
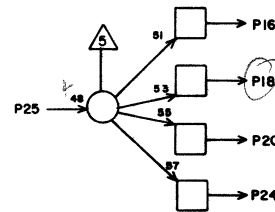
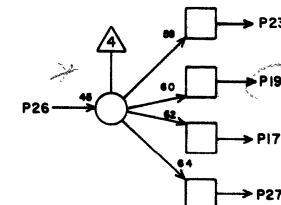
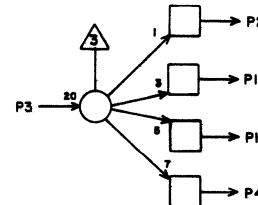
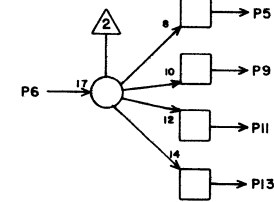
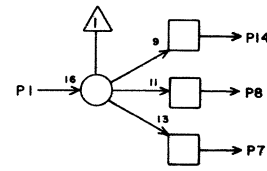
63019700 Rev. H

TH 2I42


1	G37	13	13
2	I09	5	31
3	H27	20	17
4	J22	17	23
5	I09	16	31
6	G36	10	13
7			
8	D10	6	35
9	G22	3	23
10	G22	14	23
11	G22	3	23
12	G22	14	23
13	J22	15	23
14	G37	25	13
15			
16	G26	5	19
17	G25	5	21
18	G26	16	19
19	G24	16	21
20	G27	5	19
21	A38	7	35
22	A38	5	35
23	G24	5	23
24	G27	16	19
25	D16	14	33
26	B36	14	31
27	G25	16	21
28	A39	13	35

JACK PIN LG

63019700 Rev. H



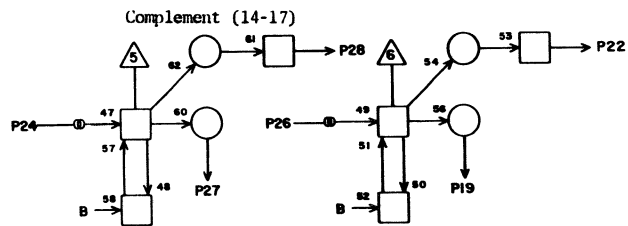
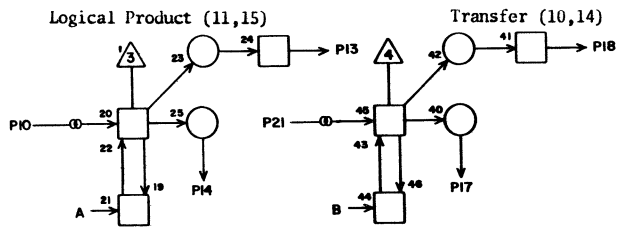
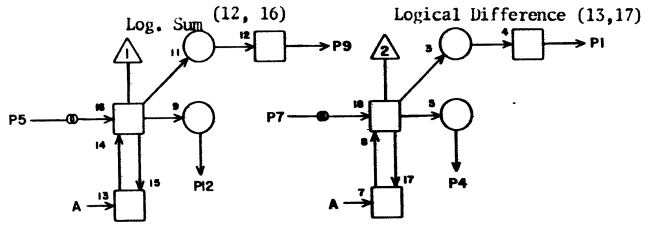
2I42

LS 63058300  REV
 ASSY

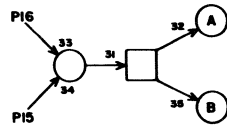
BOOLEAN CONTROL BITS

PI

2J01



Xmit Bool.



1	002	12	23
2			
3			
4	G17	6	23
5	W21	93	
6			
7	W21	94	
8			
9	G16	24	21
10	W21	95	
11			
12	G18	10	23
13			
14	G18	3	23
15	G19	9	23
16	I24	10	25
17			
18	G17	3	23
19			
20			
21	W21	98	
22			
23			
24	W21	97	
25			
26			
27	G17	1	23
28	G18	4	23

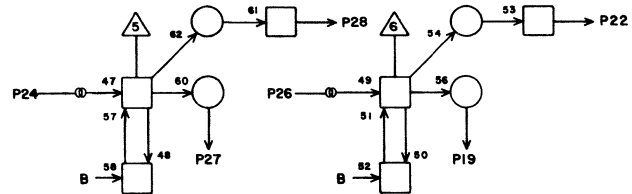
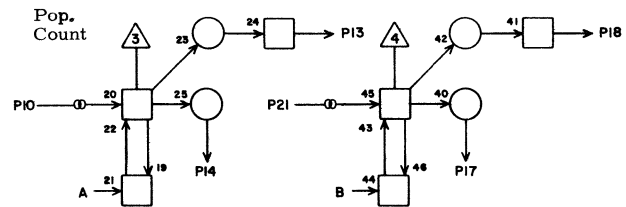
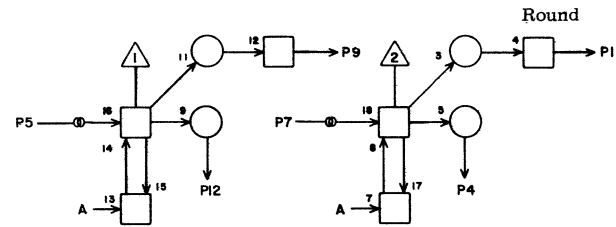
JACK PIN LG
 CIRCUIT SPECIFICATION I1827600

63019700 Rev. H

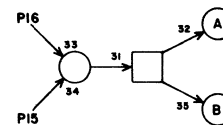
DIVIDE CONTROL BITS

PI

2J02



t00



2J02

1			
2			
3			
4	K42	15	35
5			
6			
7	W21	91	
8			
9			
10	W21	96	
11			
12			
13	J22	4	21
14	G16	27	21
15	N11	15	21
16	J24	21	23
17			
18			
19			
20			
21			
22			
23			
24			
25			
26			
27			
28			

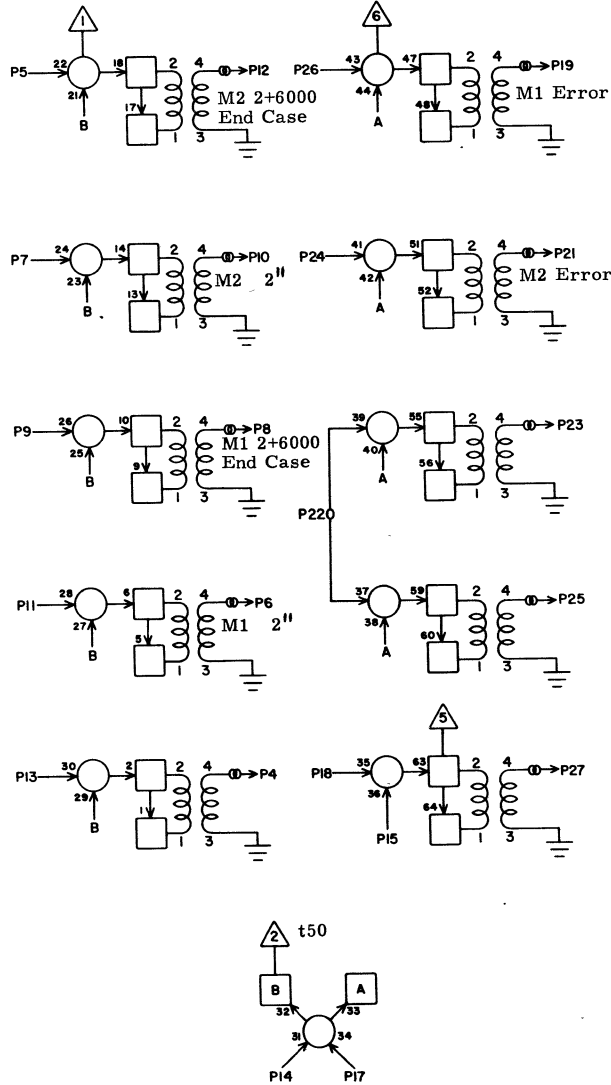
JACK PIN LG

63019700 Rev. H

LS 63042300 **B**
ASSY REV

CR

2J03

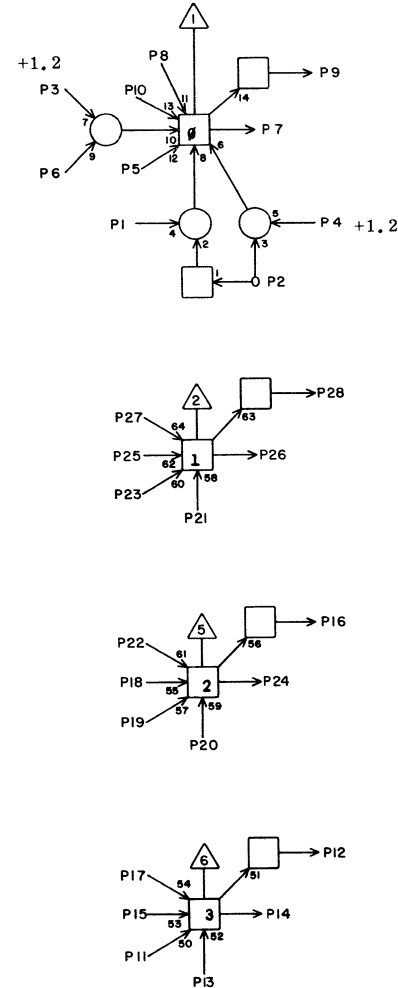


1			
2			
3			
4			
5	A37	22	41
6	W32	903	
7	C15	6	23
8	W32	902	
9	H42	16	37
10	W32	905	
11	G42	15	41
12	W32	904	
13			
14	I23	24	41
15			
16			
17			
18			
19	W32	98	
20			
21	W32	99	
22			
23			
24	B35	15	49
25			
26	B35	5	49
27			
28			

JACK PIN LG
CIRCUIT SPECIFICATION I1827600

63019700 Rev. AD

DIVIDE
RESULT OUTPUT,
COEFFICIENT



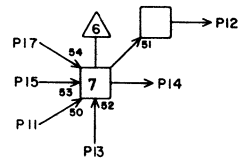
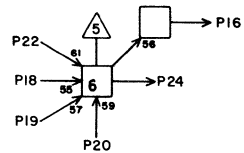
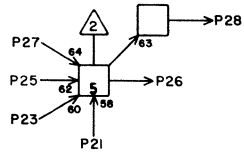
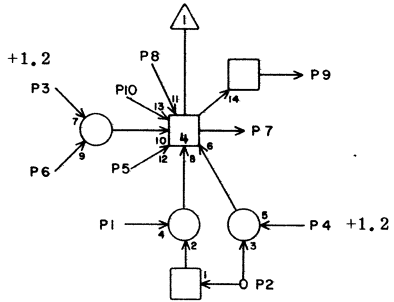
KE **2J04**

1		Grd	2
2		Grd	2
3	K20	1	19
4	K20	2	19
5	J16	13	13
6		Grd	2
7	K01	7	7
8	J16	12	13
9	K01	3	7
10		Grd	2
11	J16	7	13
12	K01	24	7
13	J16	22	13
14	K01	22	9
15		Grd	2
16	K01	18	7
17		Grd	2
18	J16	9	13
19	J16	8	13
20		Grd	2
21		Grd	2
22		Grd	2
23		Grd	2
24	K01	20	9
25	J16	11	13
26	K01	13	7
27	J16	10	13
28	K01	9	7

JACK PIN LG

63019700 Rev. H

DIVIDE RESULT OUTPUT,
COEFFICIENT



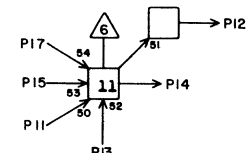
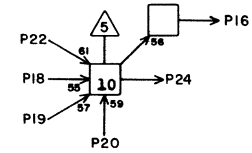
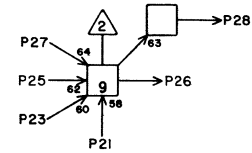
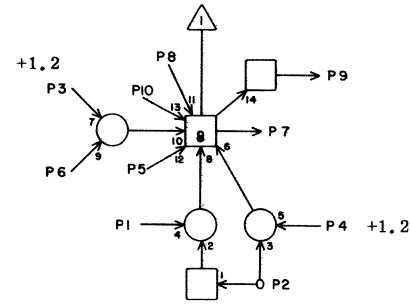
KE **2J05**

1		Grd	2
2		Grd	2
3	K20	3	17
4	K20	4	17
5	J16	21	13
6		Grd	2
7	K02	7	9
8	J16	20	13
9	K02	3	7
10		Grd	2
11	J16	15	13
12	K02	24	9
13	J17	14	13
14	K02	22	9
15		Grd	2
16	K02	18	9
17		Grd	2
18	J16	17	13
19	J16	16	13
20		Grd	2
21		Grd	2
22		Grd	2
23		Grd	2
24	K02	20	7
25	J16	19	13
26	K02	13	9
27	J16	18	13
28	K02	9	5

JACK PIN LG

63019700 Rev. H

DIVIDE RESULT OUTPUT,
COEFFICIENT



KE **2J06**

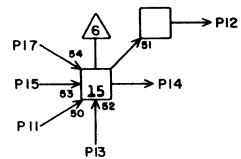
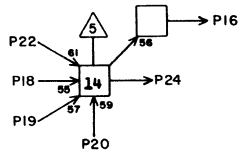
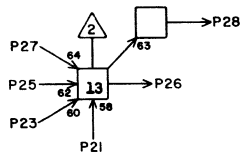
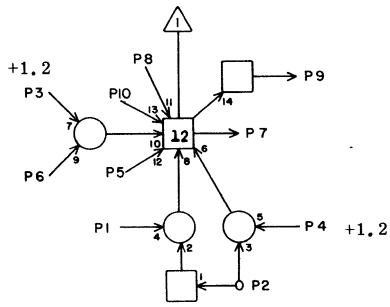
1		Grd	2
2		Grd	2
3	K20	5	17
4	K20	6	17
5	J17	13	13
6		Grd	2
7	K03	7	9
8	J17	12	13
9	K03	3	9
10		Grd	2
11	J17	7	13
12	K03	24	9
13	J17	22	13
14	K03	22	9
15		Grd	2
16	K03	18	9
17		Grd	2
18	J17	9	13
19	J17	8	13
20		Grd	2
21		Grd	2
22		Grd	2
23		Grd	2
24	K03	20	9
25	J17	11	13
26	K03	13	9
27	J17	10	13
28	K03	9	7

JACK PIN LG

2J06

63019700 Rev. H

DIVIDE RESULT OUTPUT,
COEFFICIENT



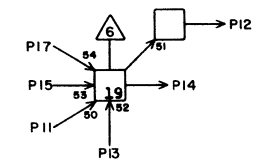
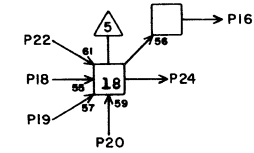
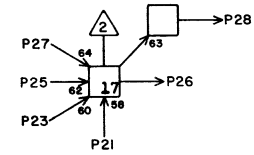
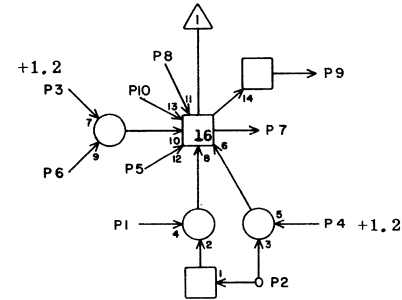
KE **2J07**

1		Grd	2
2		Grd	2
3	K20	7	17
4	K20	8	17
5	J17	21	11
6		Grd	2
7	K04	7	9
8	J17	20	11
9	K04	3	9
10		Grd	2
11	J17	15	11
12	K04	24	9
13	J18	14	11
14	K04	22	9
15		Grd	2
16	K04	18	9
17		Grd	2
18	J17	17	11
19	J17	16	11
20		Grd	2
21		Grd	2
22		Grd	2
23		Grd	2
24	K04	20	9
25	J17	19	13
26	K04	13	9
27	J17	18	13
28	K04	9	7

JACK PIN LG

63019700 Rev. H

DIVIDE RESULT OUTPUT,
COEFFICIENT



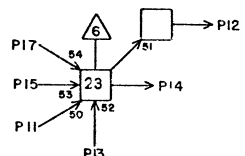
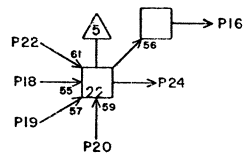
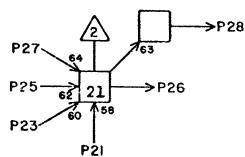
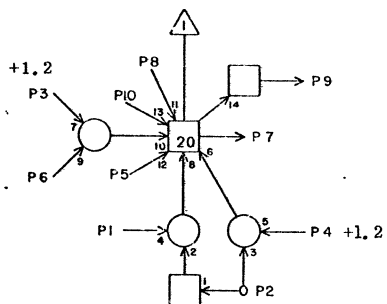
KE **2J08**

1		Grd	2
2		Grd	2
3	K20	9	13
4	K20	10	13
5	J18	13	11
6		Grd	2
7	K05	7	9
8	J18	12	11
9	K05	3	9
10		Grd	2
11	J18	7	11
12	K05	24	9
13	J18	22	11
14	K05	22	9
15		Grd	2
16	K05	18	9
17		Grd	2
18	J18	9	11
19	J18	8	11
20		Grd	2
21		Grd	2
22		Grd	2
23		Grd	2
24	K05	20	9
25	J18	11	11
26	K05	13	7
27	J18	10	11
28	K05	9	7

JACK PIN LG

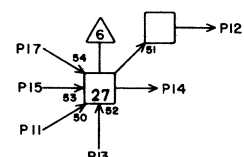
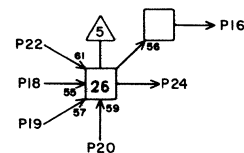
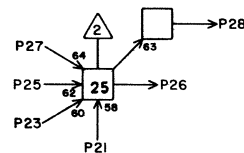
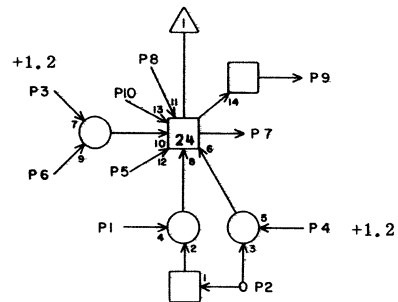
63019700 Rev. H

DIVIDE RESULT OUTPUT,
COEFFICIENT



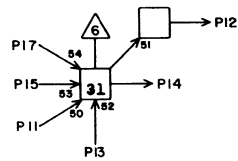
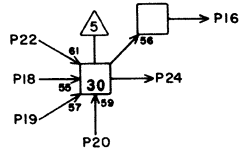
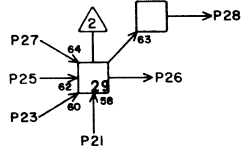
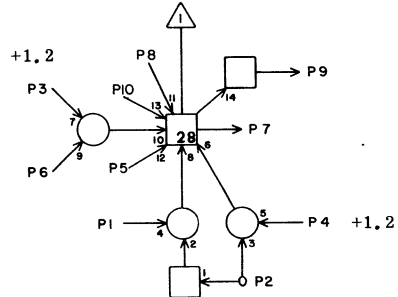
KE		2J09	
JACK	PIN	LG	
1		Grd	2
2		Grd	2
3	K20	11	13
4	K20	13	13
5	J18	21	11
6		Grd	2
7	K06	7	9
8	J18	20	11
9	K06	3	9
10		Grd	2
11	J18	15	11
12	K06	24	9
13	J19	14	11
14	K06	22	9
15		Grd	2
16	K06	18	9
17		Grd	2
18	J18	17	11
19	J18	16	11
20		Grd	2
21		Grd	2
22		Grd	2
23		Grd	2
24	K06	20	9
25	J18	19	11
26	K06	13	7
27	J18	18	11
28	K06	9	7

DIVIDE RESULT OUTPUT,
COEFFICIENT



KE		2J10	
JACK	PIN	LG	
1		Grd	2
2		Grd	2
3	K20	15	13
4	K20	17	13
5	J19	13	11
6		Grd	2
7	K07	7	9
8	J19	12	11
9	K07	3	9
10		Grd	2
11	J19	7	11
12	K07	24	9
13	J19	22	11
14	K07	22	9
15		Grd	2
16	K07	18	9
17		Grd	2
18	J19	9	11
19	J19	8	11
20		Grd	2
21		Grd	2
22		Grd	2
23		Grd	2
24	K07	20	9
25	J19	11	11
26	K07	13	9
27	J19	10	11
28	K07	9	7

DIVIDE RESULT OUTPUT,
COEFFICIENT



KE

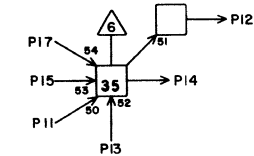
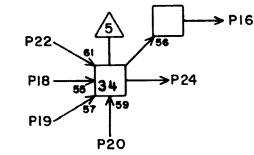
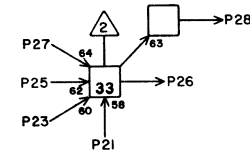
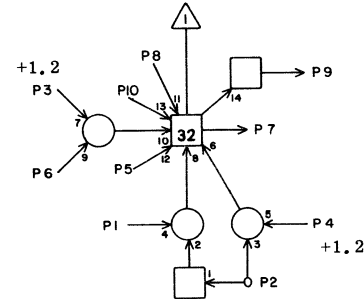
2J11

1		Grd	2
2		Grd	2
3	K20	18	13
4	K20	19	13
5	J19	21	13
6		Grd	2
7	K08	7	9
8	J19	20	11
9	K08	3	9
10		Grd	2
11	J19	15	11
12	K08	24	9
13	J20	14	11
14	K08	22	9
15		Grd	2
16	K08	18	9
17		Grd	2
18	J19	17	11
19	J19	16	11
20		Grd	2
21		Grd	2
22		Grd	2
23		Grd	2
24	K08	20	9
25	J19	19	11
26	K08	13	7
27	J19	18	11
28	K08	9	7

JACK PIN LG

63019700 Rev. H

DIVIDE RESULT OUTPUT,
COEFFICIENT



KE

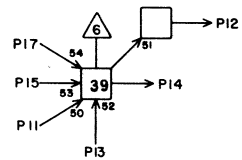
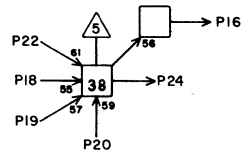
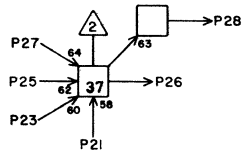
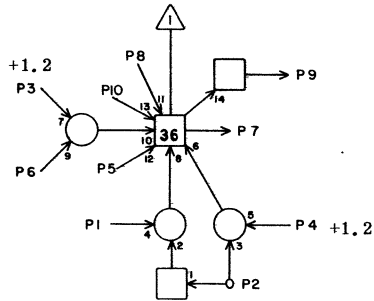
2J12

1		Grd	2
2		Grd	2
3	K20	20	13
4	K20	21	13
5	J20	13	11
6		Grd	2
7	K09	7	9
8	J20	12	11
9	K09	3	9
10		Grd	2
11	J20	7	11
12	K09	24	9
13	J20	22	11
14	K09	22	9
15		Grd	2
16	K09	18	9
17		Grd	2
18	J20	9	11
19	J20	8	11
20		Grd	2
21		Grd	2
22		Grd	2
23		Grd	2
24	K09	20	9
25	J20	11	11
26	K09	13	7
27	J20	10	11
28	K09	9	7

JACK PIN LG

63019700 Rev. H

DIVIDE RESULT OUTPUT,
COEFFICIENT

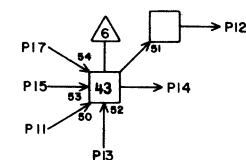
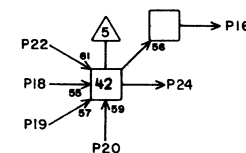
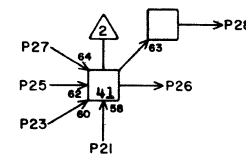
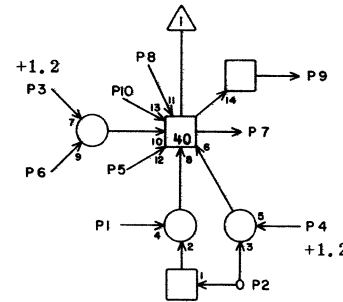


KE 2J13

1		Grd	2
2		Grd	2
3	K20	22	13
4	K20	23	13
5	J20	21	11
6		Grd	2
7	K10	7	9
8	J20	20	11
9	K10	3	9
10		Grd	2
11	J20	15	11
12	K10	24	9
13	J21	14	11
14	K10	22	9
15		Grd	2
16	K10	18	9
17		Grd	2
18	J20	17	11
19	J20	16	11
20		Grd	2
21		Grd	2
22		Grd	2
23		Grd	2
24	K10	20	9
25	J20	19	11
26	K10	13	7
27	J20	18	11
28	K10	9	7

JACK PIN LG

DIVIDE RESULT OUTPUT,
COEFFICIENT

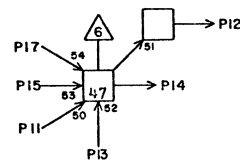
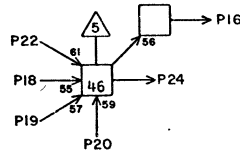
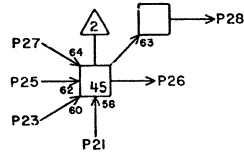
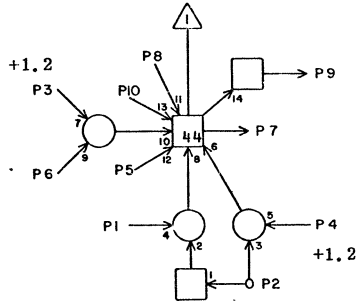


KE 2J14

1		Grd	2
2		Grd	2
3	K20	24	11
4	K20	26	13
5	J21	13	11
6		Grd	2
7	K11	7	9
8	J21	12	9
9	K11	3	9
10		Grd	2
11	J21	7	11
12	K11	24	9
13	J21	22	11
14	K11	22	9
15		Grd	2
16	K11	18	9
17		Grd	2
18	J21	9	11
19	J21	8	11
20		Grd	2
21		Grd	2
22		Grd	2
23		Grd	2
24	K11	20	9
25	J21	11	11
26	K11	13	7
27	J21	10	11
28	K11	9	7

JACK PIN LG

DIVIDE RESULT OUTPUT,
COEFFICIENT



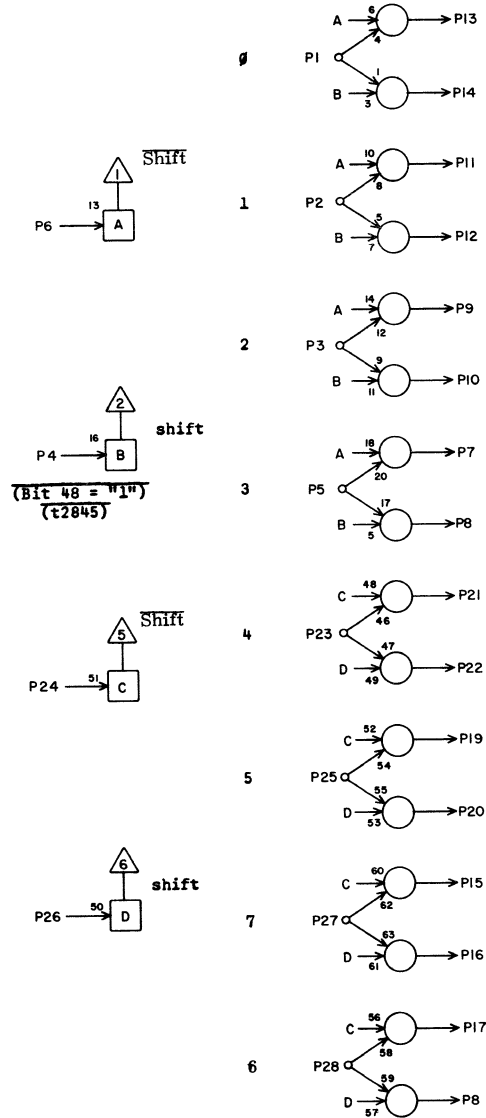
KE 2J15

1		Grd	2
2		Grd	2
3	K20	26	11
4	K20	27	11
5	J21	21	9
6		Grd	2
7	K12	7	9
8	J21	20	7
9	K12	3	9
10		Grd	2
11	J21	15	9
12	K12	24	9
13		Grd	2
14	K12	22	9
15		Grd	2
16	K12	18	9
17	H25	18	17
18	J21	17	9
19	J21	16	9
20		Grd	2
21		Grd	2
22		Grd	2
23		Grd	2
24	K12	20	9
25	J21	19	9
26	K12	13	9
27	J21	18	9
28	K12	9	7

JACK PIN LG

63019700 Rev. H

DIVIDE QUOTIENT RIGHT-SHIFT



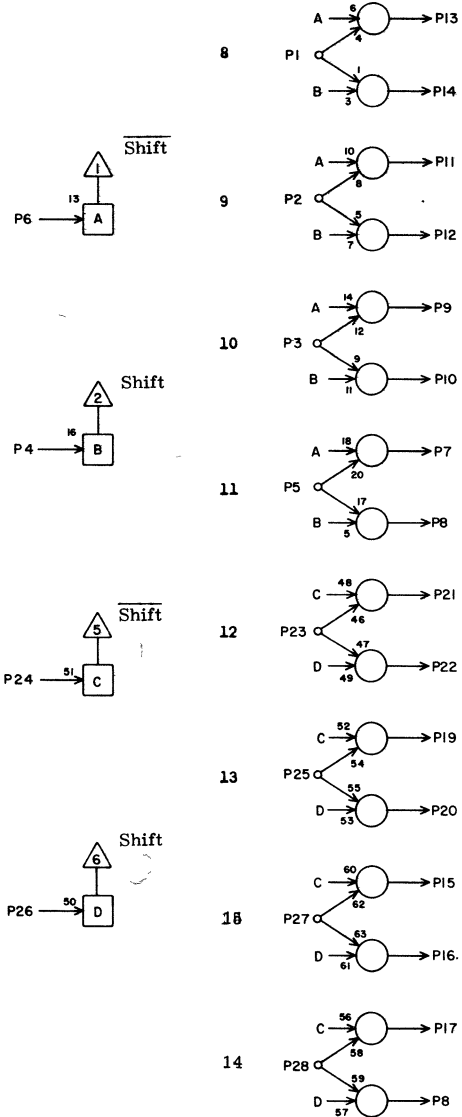
IH 2J16

1	I13	3	9
2	I13	6	9
3	I13	19	9
4	I25	25	13
5	I13	27	7
6	I25	15	13
7	J04	11	13
8	J04	19	13
9	J04	18	13
10	J04	27	13
11	J04	25	13
12	J04	8	13
13	J04	5	13
14			
15	J05	11	13
16	J05	19	13
17	J05	18	13
18	J05	27	13
19	J05	25	13
20	J05	8	13
21	J05	5	13
22	J04	13	13
23	I14	3	11
24	I25	7	13
25	I14	6	11
26	I25	23	13
27	I14	27	9
28	I14	19	9

JACK PIN LG

63019700 Rev. AE

DIVIDE QUOTIENT RIGHT SHIFT

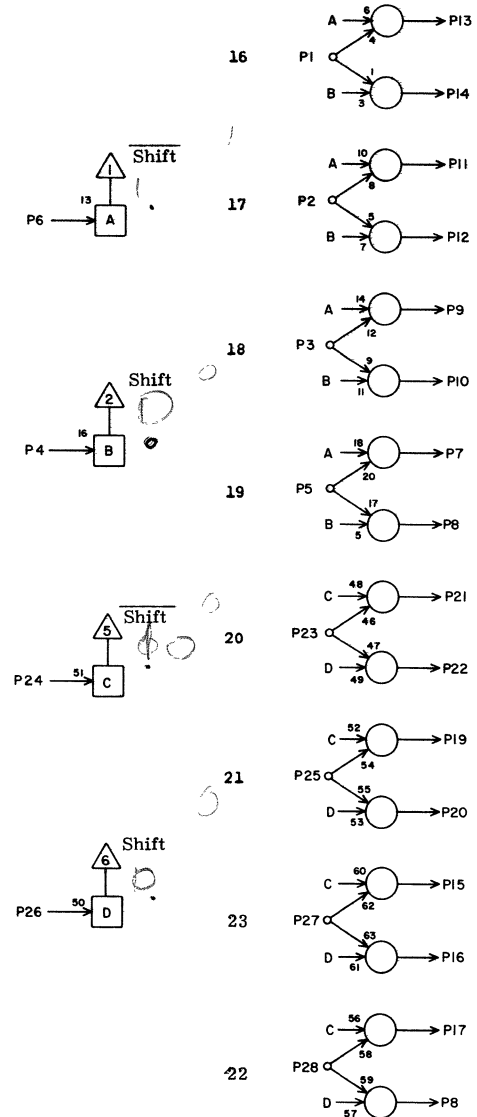


IH

2J17

1	I13	28	9
2	I15	19	7
3	I14	14	9
4	I25	26	13
5	I16	3	9
6	I25	6	13
7	J06	11	13
8	J06	19	13
9	J06	18	13
10	J06	27	13
11	J06	25	13
12	J06	8	13
13	J06	5	13
14	J05	13	13
15	J07	11	11
16	J07	19	11
17	J07	18	13
18	J07	27	13
19	J07	25	13
20	J07	8	11
21	J07	5	11
22	J06	13	13
23	I14	28	9
24	I25	4	13
25	I16	19	9
26	I25	24	13
27	I15	28	7
28	I15	27	7
	JACK	PIN	LG

DIVIDE QUOTIENT RIGHT SHIFT

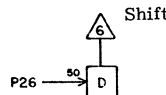
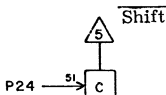
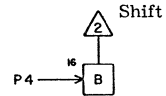
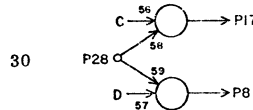
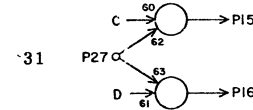
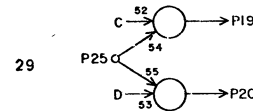
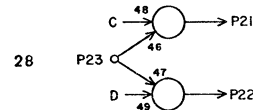
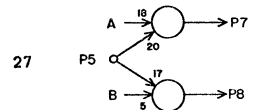
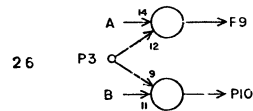
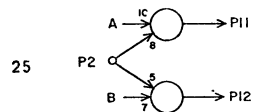
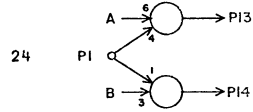
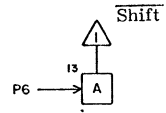


IH

2J18

1	I16	6	9
2	I16	14	9
3	I16	27	5
4	I25	22	11
5	I16	28	9
6	I25	9	13
7	J08	11	11
8	J08	19	11
9	J08	18	11
10	J08	27	13
11	J08	25	13
12	J08	8	13
13	J08	5	13
14	J07	13	11
15	J09	11	11
16	J09	19	11
17	J09	18	11
18	J09	27	13
19	J09	25	11
20	J09	8	11
21	J09	5	11
22	J08	13	11
23	I17	19	7
24	I25	11	13
25	I17	27	7
26	I25	20	13
27	I18	6	9
28	I18	3	9
	JACK	PIN	LG

DIVIDE QUOTIENT RIGHT SHIFT

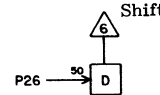
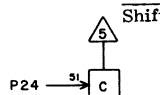
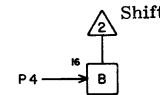
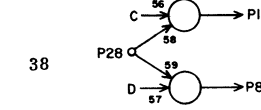
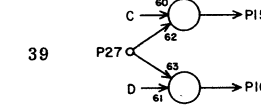
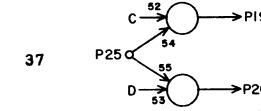
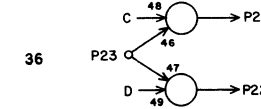
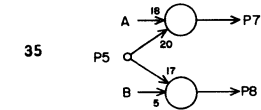
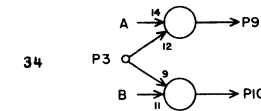
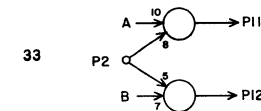
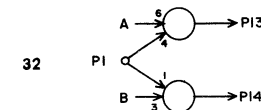
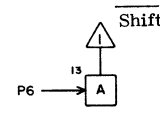


2J19

IH			
1	I18	19	5
2	I18	27	7
3	I17	28	9
4	I25	18	11
5	I19	19	5
6	I25	13	11
7	J10	11	13
8	J10	19	11
9	J10	18	11
10	J10	27	11
11	J10	25	11
12	J10	8	11
13	J10	5	11
14	J09	13	11
15	J11	11	11
16	J11	19	11
17	J11	18	11
18	J11	27	11
19	J11	25	11
20	J11	8	11
21	J11	5	13
22	J10	13	11
23	I18	14	9
24	I25	1	13
25	I20	3	9
26	I25	28	11
27	I20	19	7
28	I18	28	7
	JACK	PIN	LG

63019700 Rev. AE

DIVIDE QUOTIENT RIGHT SHIFT

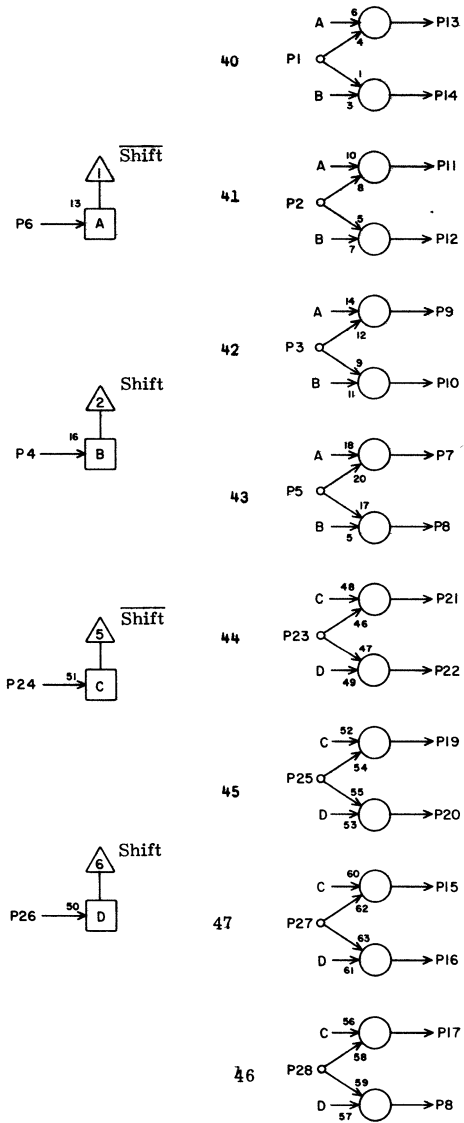


2J20

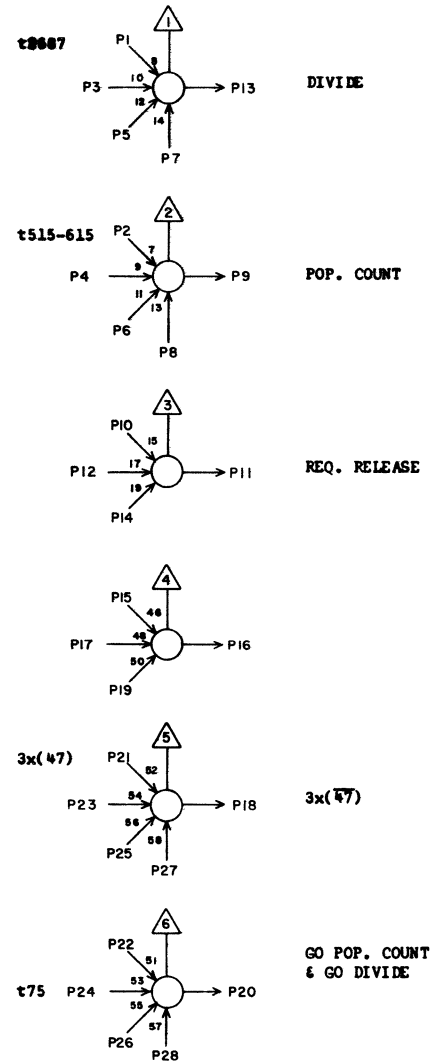
IH			
1	I19	27	5
2	I19	28	5
3	I20	6	7
4	I25	21	9
5	I20	14	5
6	I25	8	11
7	J12	11	11
8	J12	19	11
9	J12	18	11
10	J12	27	11
11	J12	25	11
12	J12	8	11
13	J12	5	11
14	J11	13	11
15	J13	11	11
16	J13	19	11
17	J13	18	11
18	J13	27	11
19	J13	25	11
20	J13	8	11
21	J13	5	11
22	J12	13	11
23	I20	27	7
24	I25	10	11
25	I20	28	7
26	I25	19	11
27	E12	27	25
28	E12	19	25
	JACK	PIN	LG

63019700 Rev. AE

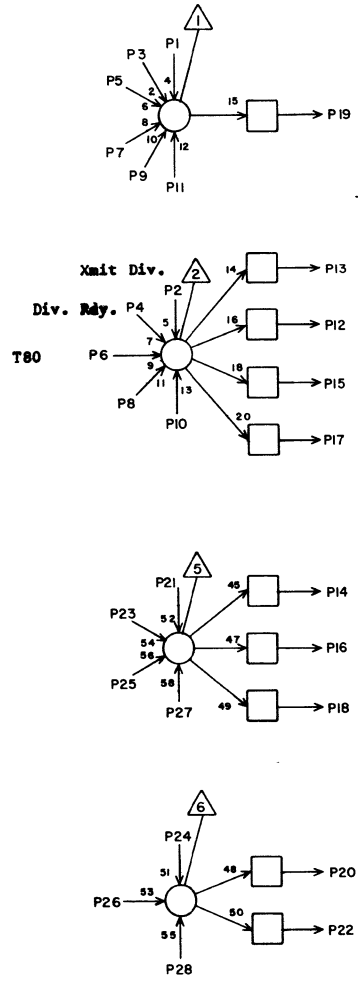
DIVIDE QUOTIENT RIGHT SHIFT



IH		2J21	
JACK	PIN	PIN	LG
1	E13	3	23
2	E13	6	23
3	E13	19	23
4	I25	17	9
5	E13	27	23
6	I25	12	9
7	J14	11	11
8	J14	19	11
9	J14	18	11
10	J14	27	11
11	J14	25	11
12	J14	8	9
13	J14	5	11
14	J13	13	11
15	J15	11	9
16	J15	19	9
17	J15	18	9
18	J15	27	9
19	J15	25	9
20	J15	8	9
21	J15	5	9
22	J14	13	11
23	E12	28	25
24	I25	2	11
25	E14	19	25
26	I25	27	9
27	E15	3	25
28	E13	14	25



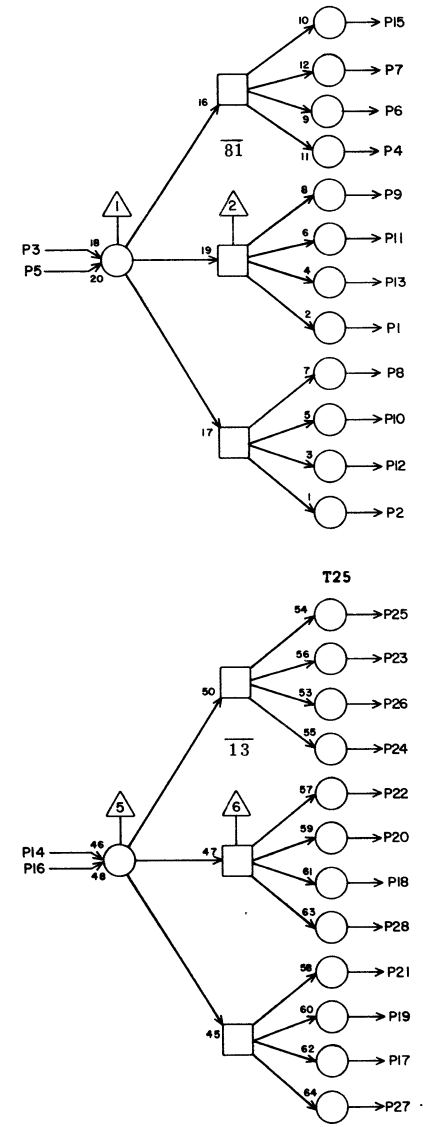
TI		2J22	
JACK	PIN	PIN	LG
1	D26	14	25
2	D21	27	25
3			
4	J02	13	21
5			
6			
7			
8			
9	J22	12	3
10	J22	13	5
11	E01	9	29
12	J22	9	3
13	J22	10	5
14			
15	I42	13	23
16	J23	10	5
17	I42	4	23
18	Q41	8	33
19			
20	E18	3	23
21	R26	19	33
22	G15	22	17
23			
24	J24	10	146
25			
26			
27			
28			



TB		2J23	
JACK	PIN	LG	
1	K42	2	21
2	L11	22	17
3		Grd	2
4	H25	22	11
5		Grd	2
6	J25	23	35
7		Grd	2
8	G37	16	19
9		Grd	2
10	J22	16	5
11		Grd	2
12	I09	14	17
13	I09	3	17
14	G37	23	19
15			
16	E22	2	23
17			
18	F24	21	19
19	K18	16	11
20	H42	2	23
21	A40	10	41
22			
23	A40	6	41
24	G42	16	23
25		Grd	2
26			
27		Grd	2
28	H42	13	23

63019700 Rev. H

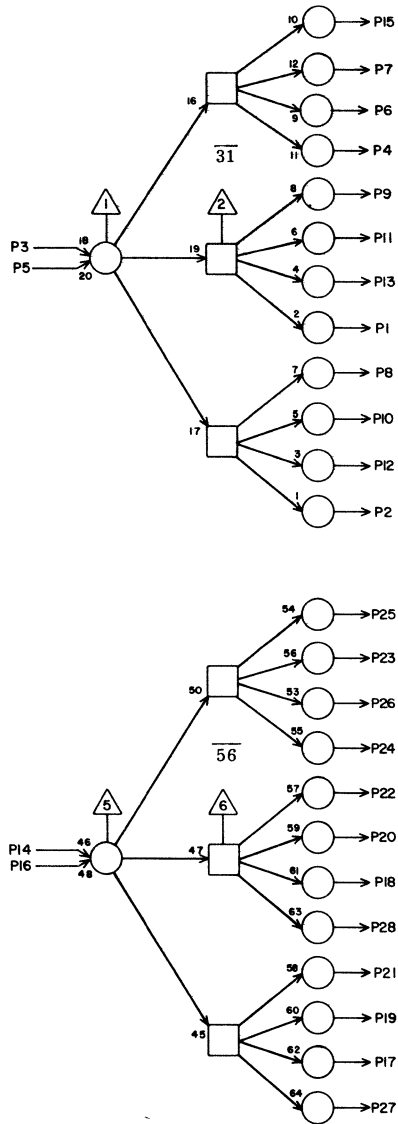
CLOCK FANOUTS



TC		2J24	
JACK	PIN	LG	
1	H37	4	72
2	H42	4	72
3	H42	26	23
4	E14	7	120
5		Grd	2
6			
7	G16	2	17
8			
9	E10	7	25
10	J22	24	146
11			
12	E22	3	156
13			
14	H26	6	60
15	G16	8	17
16		Grd	2
17			
18			
19			
20			
21	J02	16	23
22			
23	O09	15	72
24			
25	D28	9	29
26			
27	E15	20	60
28	H11	9	19

63019700 Rev P

CLOCK FANOUTS

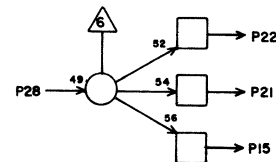
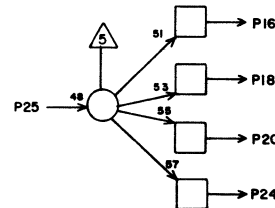
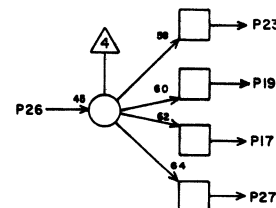
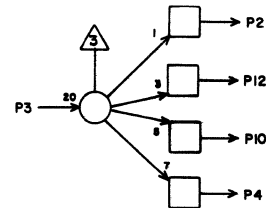
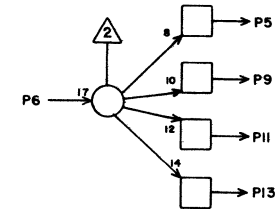
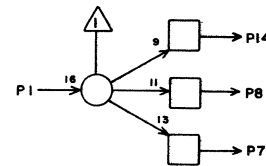


TC 2J25

1	P11	8	29
2	I12	16	15
3	M42	15	23
4	I10	5	17
5		Grd	2
6	K42	11	19
7	G19	12	17
8	P14	14	29
9	E15	7	120
10	D10	15	29
11	G37	1	19
12	D10	23	29
13			
14	H26	27	13
15			
16		Grd	2
17	E14	20	120
18			
19			
20			
21			
22			
23	J23	6	35
24			
25			
26			
27			
28	N36	12	180

JACK PIN LG

63019700 Rev. P



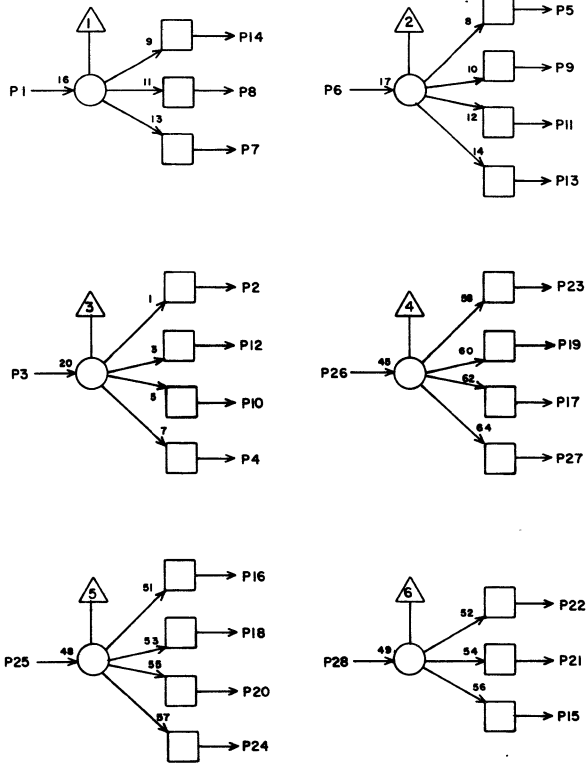
TH 2J26

1	M15	19	21
2	K27	17	9
3	M23	19	17
4	K27	23	9
5	K25	1	7
6	M19	19	17
7	K22	17	11
8	K22	23	11
9	K25	22	9
10			
11			
12			
13			
14			
15			
16	K32	17	11
17	K30	1	9
18	K32	23	11
19	K30	22	9
20			
21	K35	1	13
22	K35	22	13
23			
24			
25	M31	19	15
26	M27	19	15
27			
28	M35	19	17

JACK PIN LG

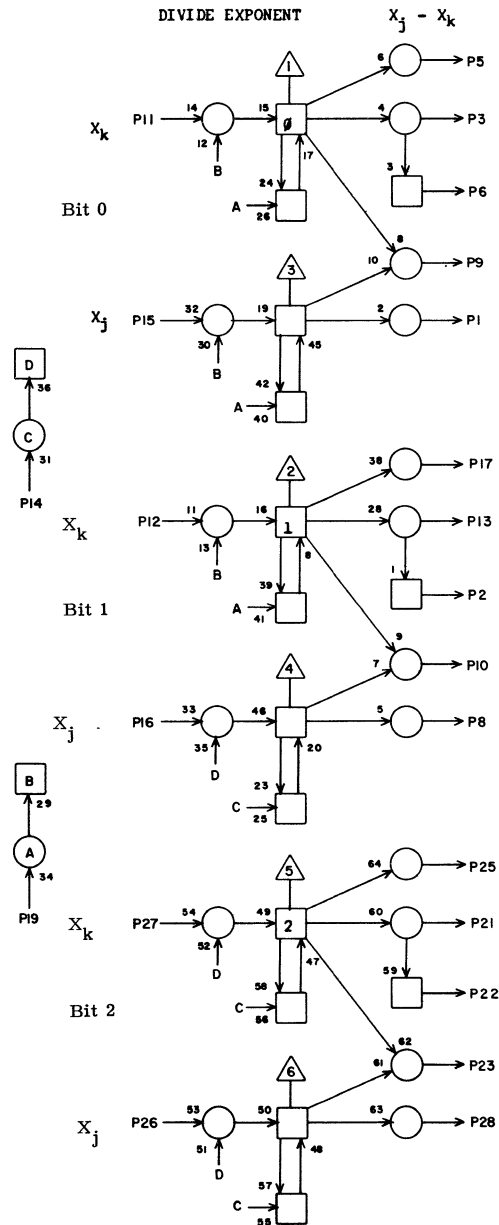
63019700 Rev. H

2J26



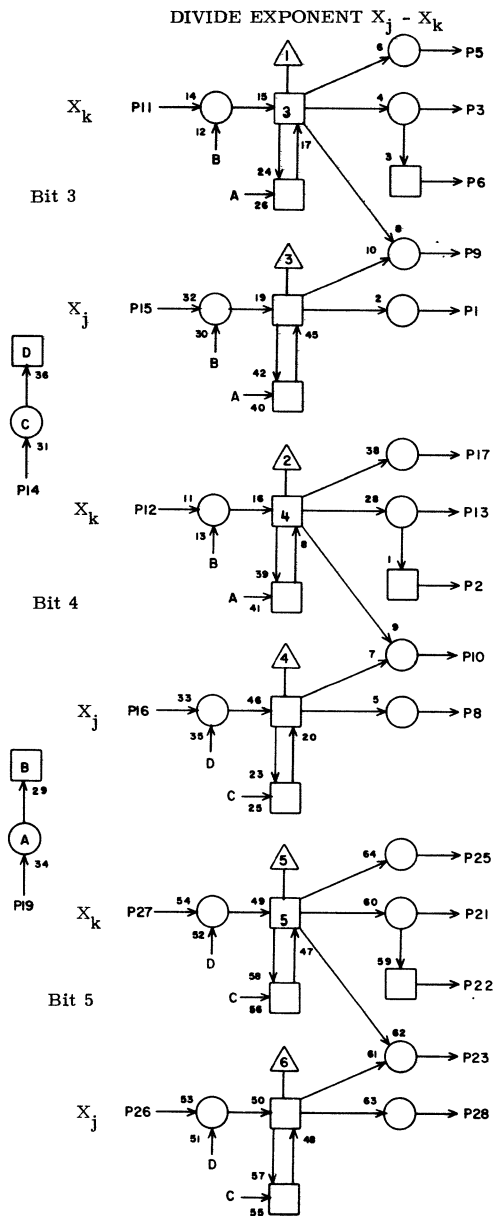
TH		2J27	
1	015	19	27
2	K29	1	9
3	023	19	25
4	K29	22	9
5	K23	1	9
6	010	19	25
7	K24	1	9
8	K24	22	9
9	K23	22	9
10			
11			
12			
13			
14			
15			
16	K34	1	11
17	K28	1	7
18	K34	22	13
19	K28	22	9
20			
21	K33	1	11
22	K33	22	11
23			
24			
25	031	19	23
26	027	19	23
27			
28	035	19	23
	JACK	PIN	LG

63019700 Rev. H



QA		2J28	
1	I28	9	7
2			
3			
4			
5	I28	11	7
6			
7			
8	I28	19	5
9	I28	13	7
10	I28	15	7
11	E37	1	25
12	E37	23	23
13			
14	I26	2	9
15	E37	11	25
16	E37	17	25
17	I28	17	7
18			
19	I26	4	9
20			
21			
22			
23	I28	3	9
24			
25	I28	5	9
26	E38	11	25
27	E38	1	27
28	I28	7	9
	JACK	PIN	LG

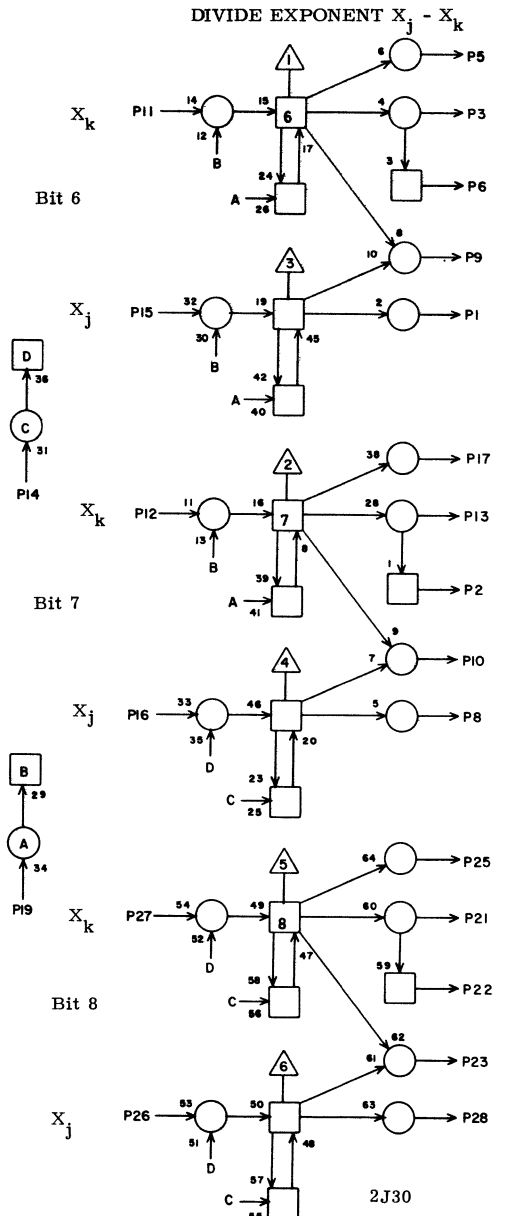
63019700 Rev. H



QA 2J29

	JACK	PIN	LG
1	I29	9	7
2			
3			
4			
5	I29	11	7
6			
7			
8	I29	19	5
9	I29	13	7
10	I29	15	7
11	E38	23	23
12	E39	1	25
13			
14	I26	6	9
15	E38	17	25
16	E39	11	25
17	I29	17	7
18			
19	I26	9	9
20			
21			
22			
23	I29	3	9
24			
25	I29	5	9
26	E39	17	25
27	E39	23	25
28	I29	7	9

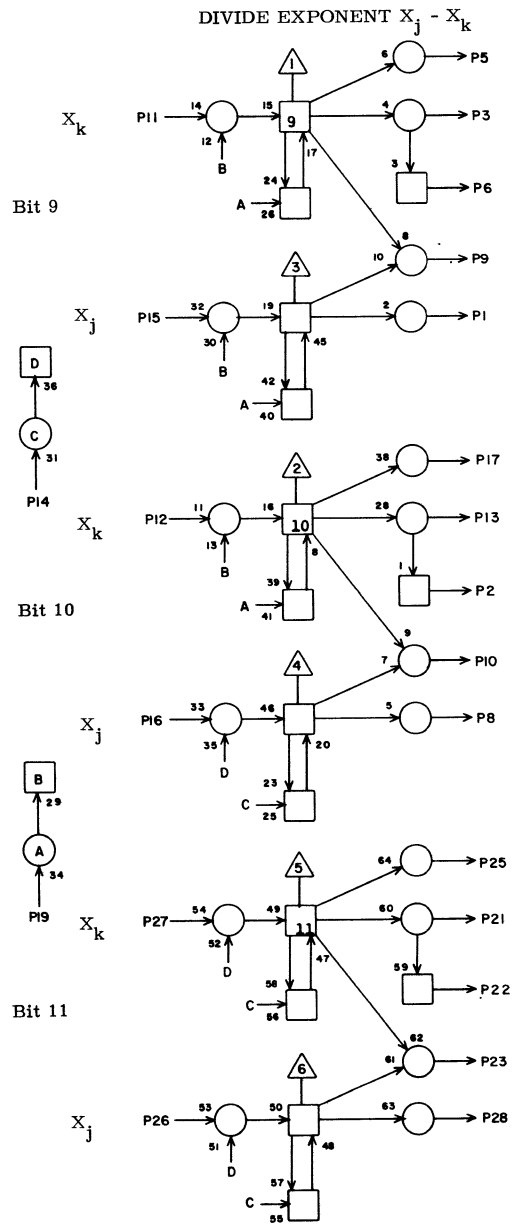
63019700 Rev.H



QA 2J30

	JACK	PIN	LG
1	I30	9	7
2			
3			
4			
5	I30	11	7
6			
7			
8	I30	19	5
9	I30	13	7
10	I30	15	7
11	E40	1	25
12	E40	23	25
13			
14	I26	11	9
15	E40	11	25
16	E40	17	25
17	I30	17	7
18			
19	I26	13	9
20			
21			
22			
23	I30	3	9
24			
25	I30	5	9
26	E41	11	27
27	E41	1	27
28	I30	7	9

63019700 Rev.H

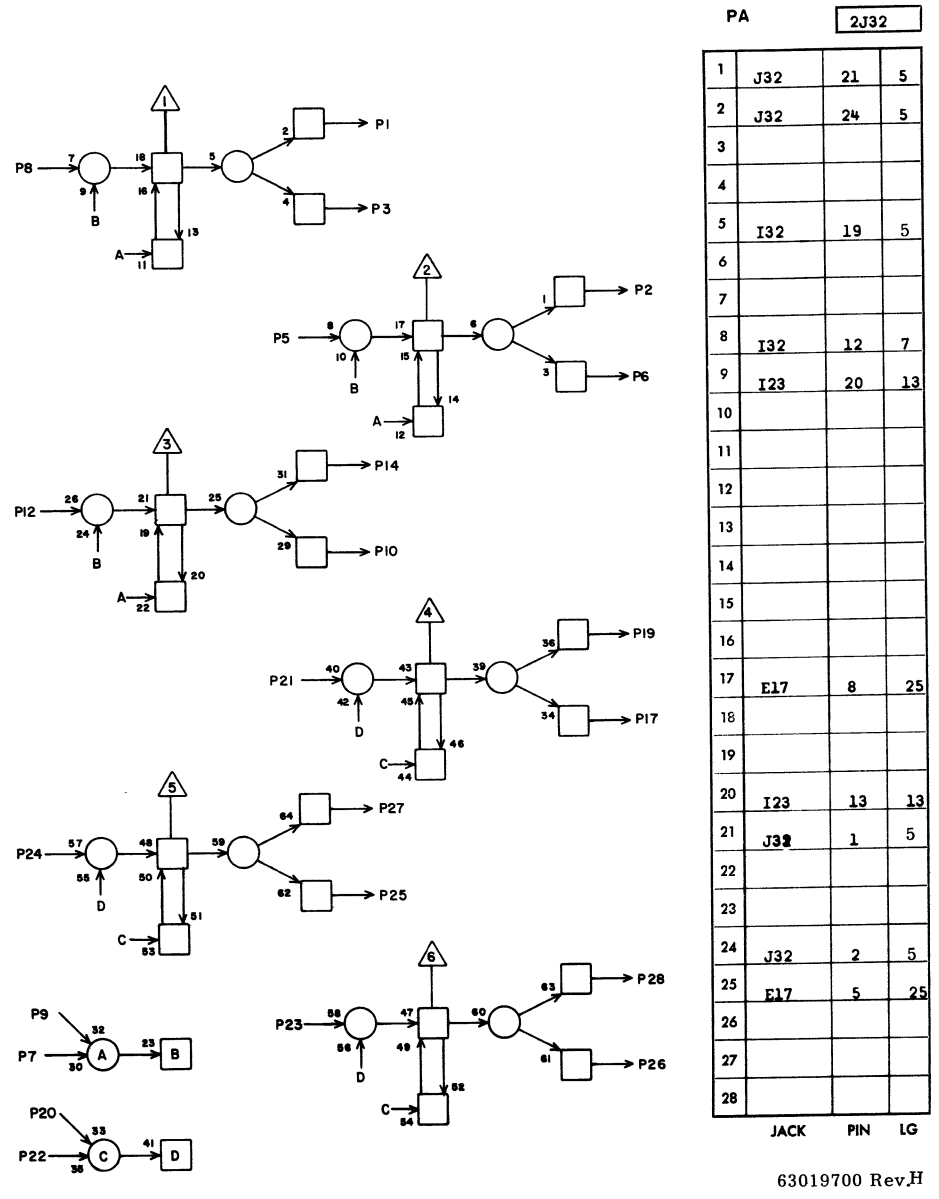


QA 2J31

1	I31	9	7
2			
3			
4			
5	I31	11	7
6			
7			
8	I31	19	5
9	I31	13	7
10	I31	15	7
11	E41	23	23
12	J37	18	11
13			
14	I26	8	11
15	E41	17	25
16	J37	9	11
17	I31	17	7
18			
19	I26	10	11
20			
21			
22			
23	I31	3	9
24			
25	I31	5	9
26	J37	12	11
27	J37	13	11
28	I31	7	9

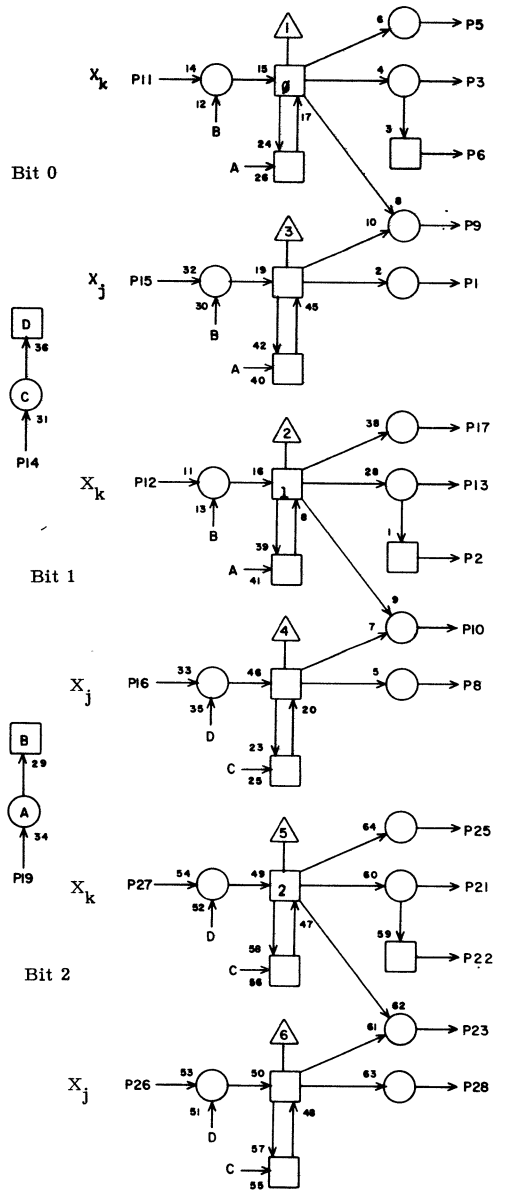
JACK PIN LG

63019700 Rev.H



MULT. 1 EXPONENT

$X_j + X_k$

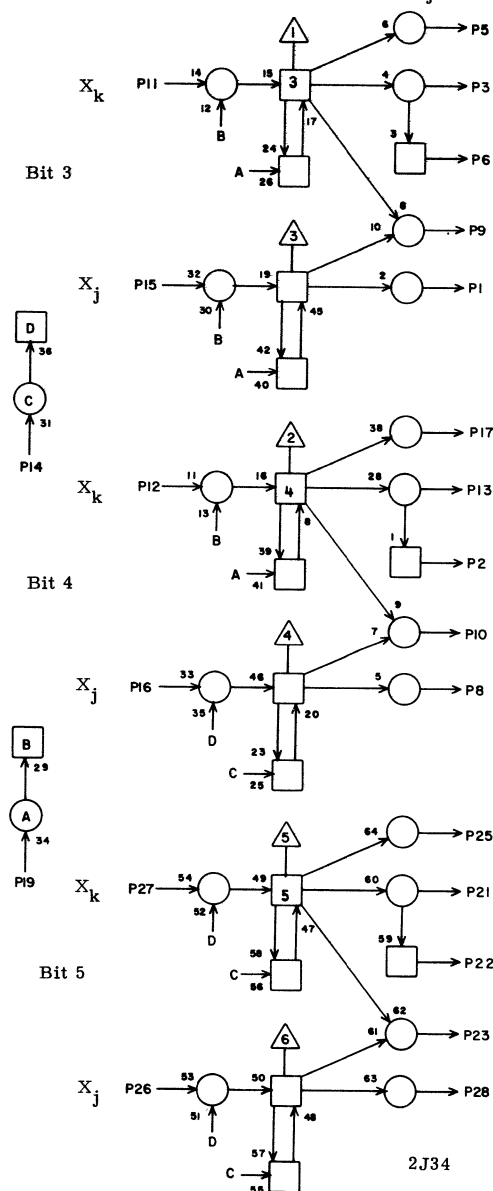


QA			
2J33			
1	I33	9	7
2			
3			
4			
5	I33	11	7
6			
7			
8	I33	19	5
9	I33	13	7
10	I33	15	7
11	E37	3	23
12	E37	25	23
13			
14	I27	2	11
15	E37	10	23
16	E37	22	23
17	I33	17	7
18			
19	I27	4	13
20			
21			
22			
23	I33	3	9
24			
25	I33	5	9
26	E38	10	25
27	E38	3	25
28	I33	7	9

JACK PIN LG

63019700 Rev. H

MULTIPLY 1 EXPONENT $X_j + X_k$



QA

2J34

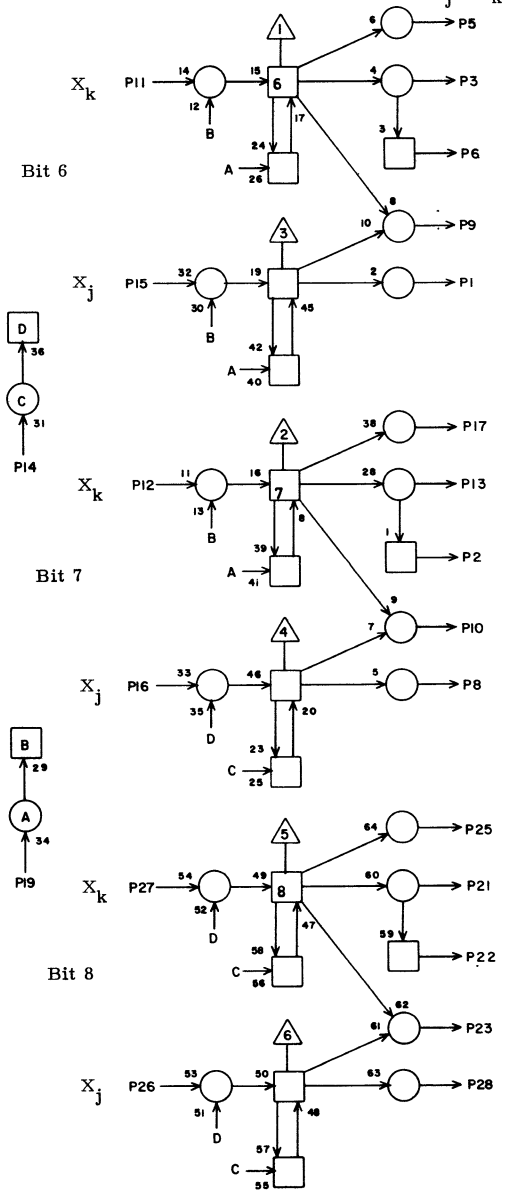
QA			
2J34			
1	I34	9	7
2			
3			
4			
5	I34	11	7
6			
7			
8	I34	19	5
9	I34	13	7
10	I34	15	7
11	E38	25	23
12	E39	3	23
13			
14	I27	6	13
15	E38	22	23
16	E39	10	25
17	I34	17	7
18			
19	I27	9	13
20			
21			
22			
23	I34	3	9
24			
25	I34	5	9
26	E39	22	23
27	E39	25	23
28	I34	7	9

JACK PIN LG

63019700 Rev. H

2J34

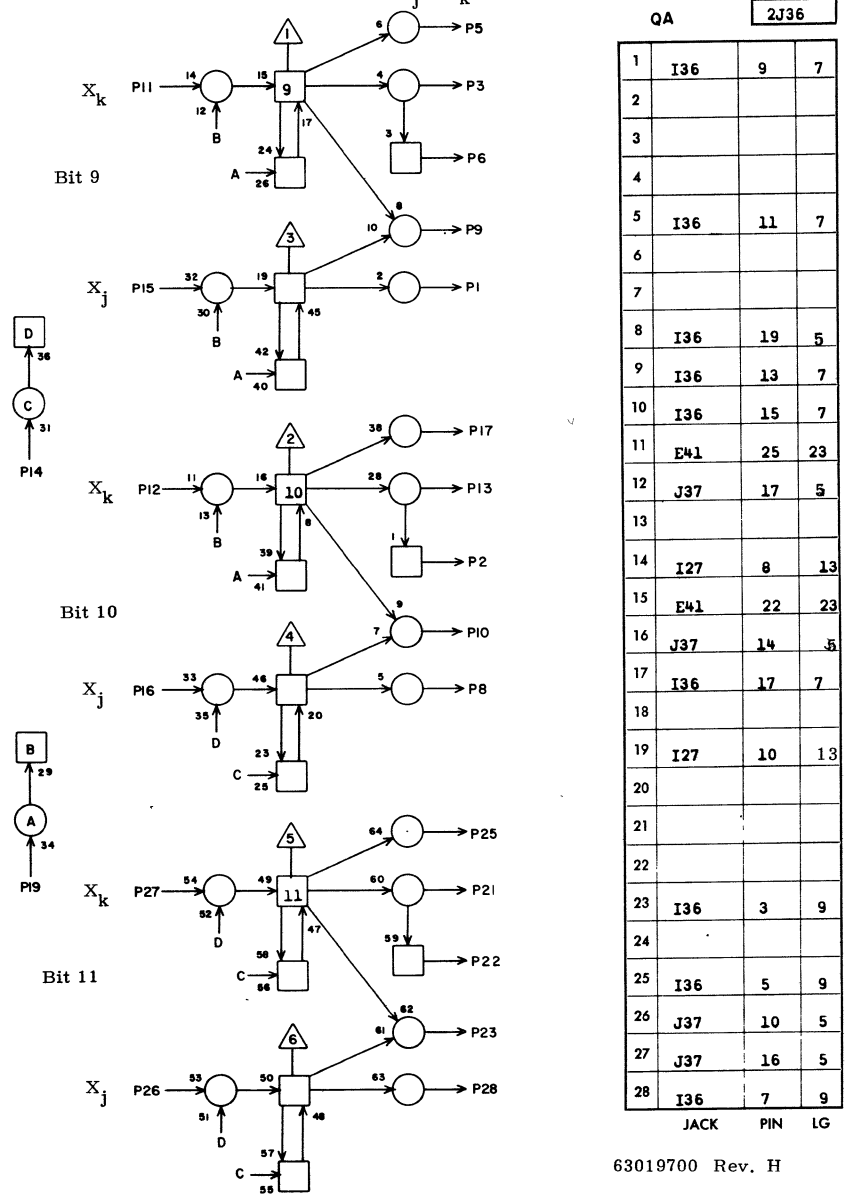
MULTIPLY 1 EXPONENT $X_j + X_k$



QA			
2J35			
1	I35	9	7
2			
3			
4			
5	I35	11	7
6			
7			
8	I35	19	5
9	I35	13	7
10	I35	15	7
11	E40	3	25
12	E40	25	23
13			
14	I27	11	13
15	E40	10	25
16	E40	22	23
17	I35	17	7
18			
19	I27	13	13
20			
21			
22			
23	I35	3	9
24			
25	I35	5	9
26	E41	10	25
27	E41	3	25
28	I35	7	9
	JACK	PIN	LG

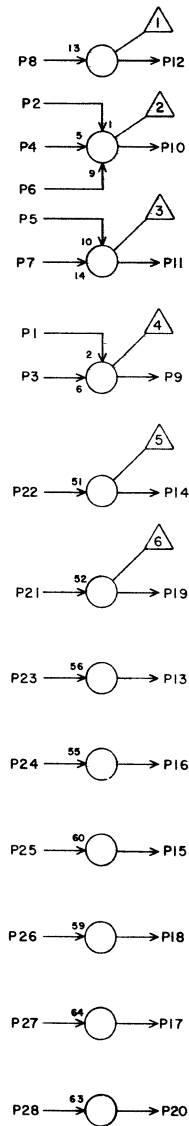
63019700 Rev. H

MULTIPLY 1 EXPONENT $X_j + X_k$



QA			
2J36			
1	I36	9	7
2			
3			
4			
5	I36	11	7
6			
7			
8	I36	19	5
9	I36	13	7
10	I36	15	7
11	E41	25	23
12	J37	17	5
13			
14	I27	8	13
15	E41	22	23
16	J37	14	5
17	I36	17	7
18			
19	I27	10	13
20			
21			
22			
23	I36	3	9
24			
25	I36	5	9
26	J37	10	5
27	J37	16	5
28	I36	7	9
	JACK	PIN	LG

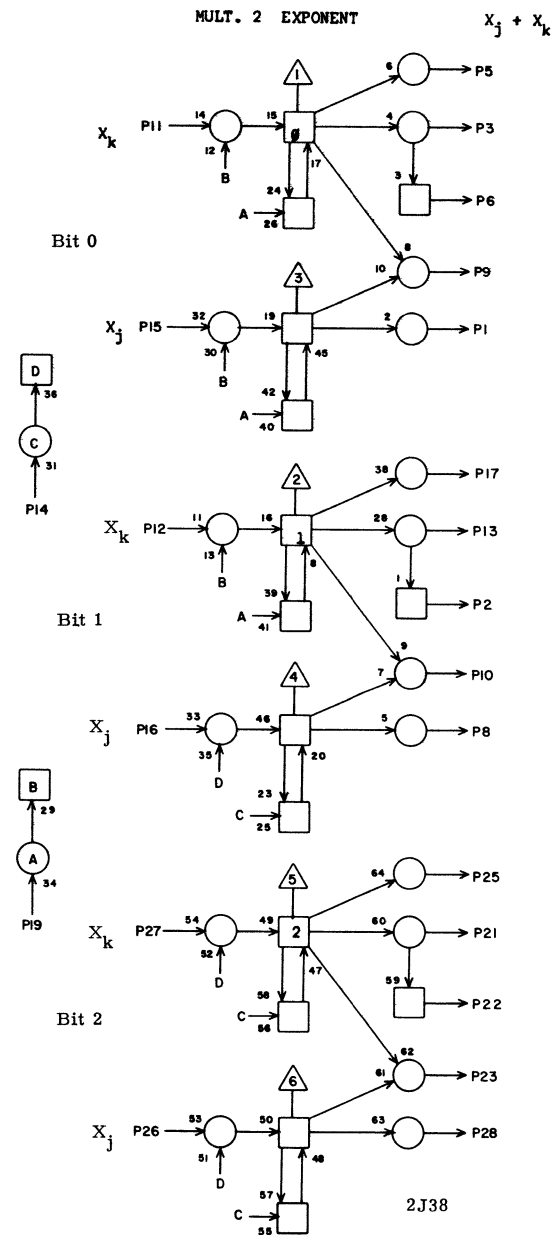
63019700 Rev. H



TL		2J37	
1	E42	11	23
2	E42	22	23
3			
4			
5	E42	20	23
6			
7			
8	E42	17	23
9	J31	16	11
10	J36	26	5
11	J41	26	7
12	J31	26	11
13	J31	27	11
14	J36	16	5
15	J41	27	7
16	J36	27	5
17	J36	12	5
18	J31	12	11
19	J41	16	7
20	J41	12	7
21	E42	12	25
22	E42	10	25
23	E42	23	23
24	E42	25	25
25	E42	28	23
26	E42	1	25
27	E42	3	25
28	E42	4	25

JACK PIN LG

63019700 Rev.H

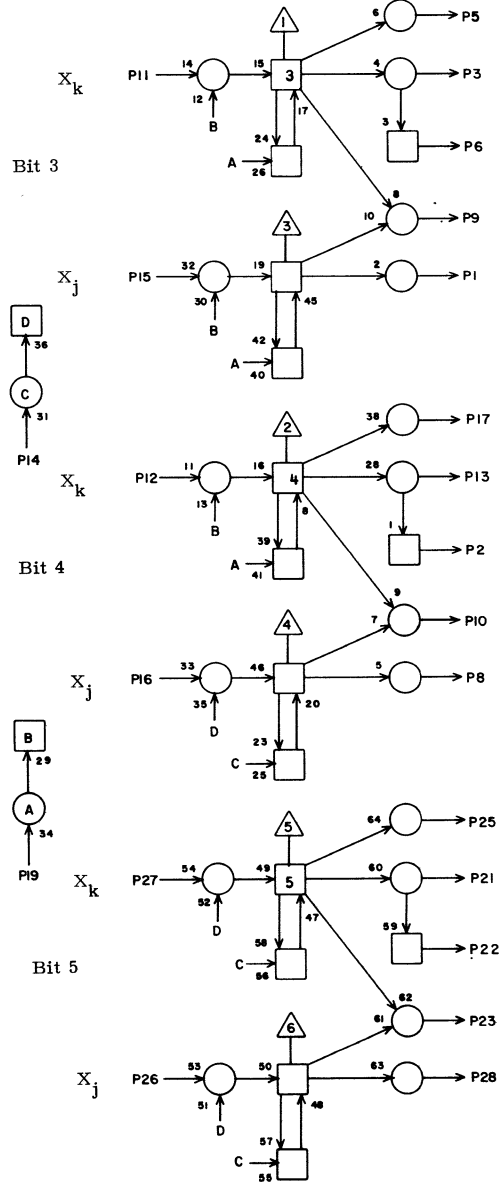


QA		2J38	
1	I38	9	5
2			
3			
4			
5	I38	11	7
6			
7			
8	I38	19	8
9	I38	13	7
10	I38	15	5
11	E37	4	23
12	E37	28	23
13			
14	I27	16	15
15	E37	12	23
16	E37	20	23
17	I38	17	7
18			
19	I27	18	15
20			
21			
22			
23	I38	3	9
24			
25	I38	5	9
26	E38	12	23
27	E38	4	25
28	I38	7	9

JACK PIN LG

63019700 Rev. H

MULTIPLY 2 EXPONENT $X_j + X_k$

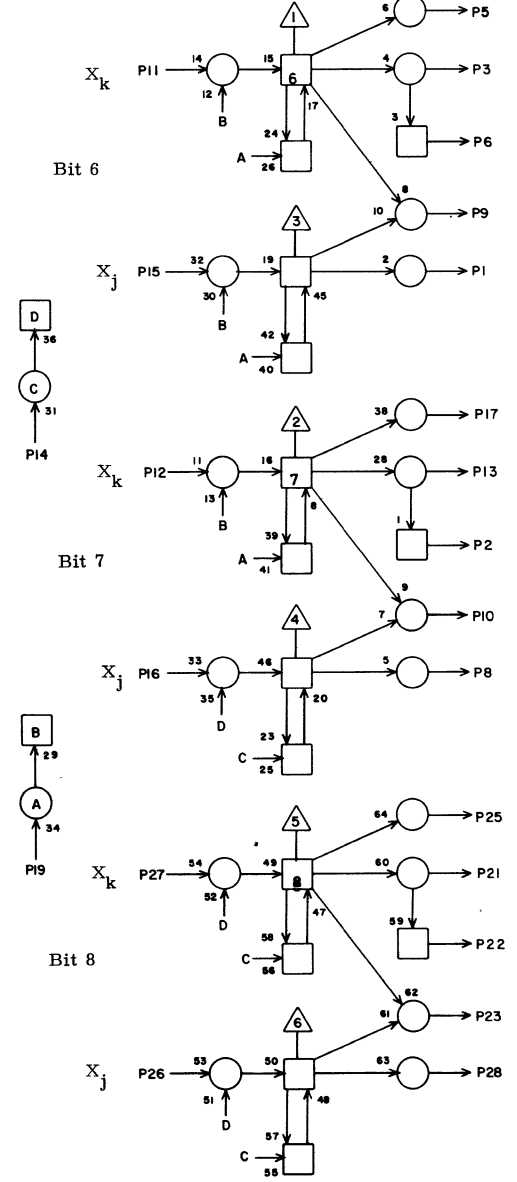


QA			
2J39			
1	I39	9	5
2			
3			
4			
5	I39	11	7
6			
7			
8	I39	19	5
9	I39	13	7
10	I39	15	5
11	E38	28	21
12	E39	4	23
13			
14	I27	20	15
15	E38	29	23
16	E39	12	23
17	I39	17	7
18			
19	I27	22	15
20			
21			
22			
23	I39	3	9
24			
25	I39	5	9
26	E39	20	23
27	E39	28	23
28	I39	7	9

JACK PIN LG

63019700 Rev.H

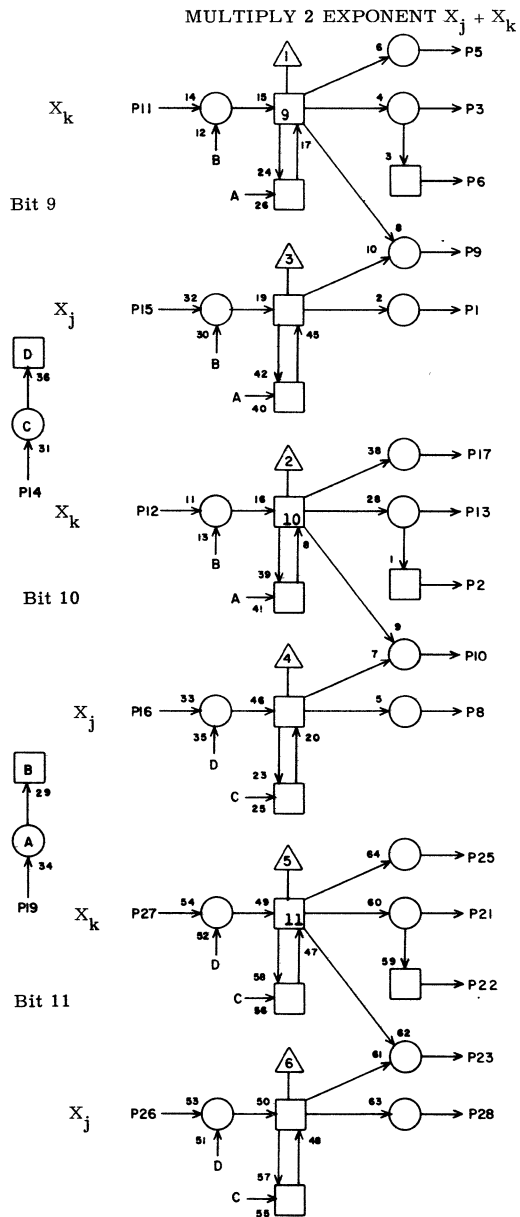
MULTIPLY 2 EXPONENT $X_j + X_k$



QA			
2J40			
1	I40	9	5
2			
3			
4			
5	I40	11	7
6			
7			
8	I40	19	5
9	I40	13	7
10	I40	15	5
11	E40	4	23
12	E40	28	21
13			
14	I27	17	17
15	E40	12	25
16	E40	20	23
17	I40	17	7
18			
19	I27	19	17
20			
21			
22			
23	I40	3	9
24			
25	I40	5	9
26	E41	12	25
27	E41	4	25
28	I40	7	9

JACK PIN LG

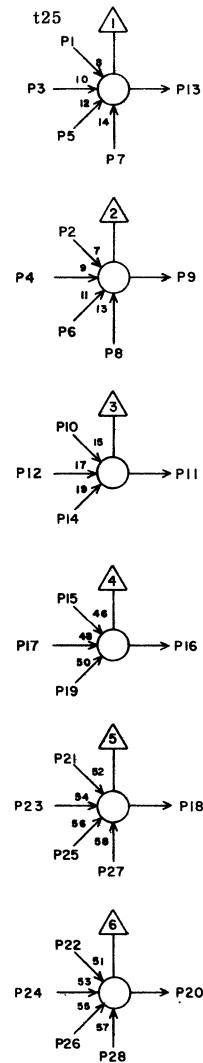
63019700 Rev.H



QA			
2J41			
1	I41	9	5
2			
3			
4			
5	I41	11	7
6			
7			
8	I41	19	5
9	I41	13	7
10	I41	15	5
11	E41	28	21
12	J37	20	7
13			
14	I27	21	17
15	E41	20	23
16	J37	19	7
17	I41	17	7
18			
19	I27	24	17
20			
21			
22			
23	I41	3	9
24			
25	I41	5	9
26	J37	11	7
27	J37	15	7
28	I41	7	9

JACK PIN LG

63019700 Rev. H



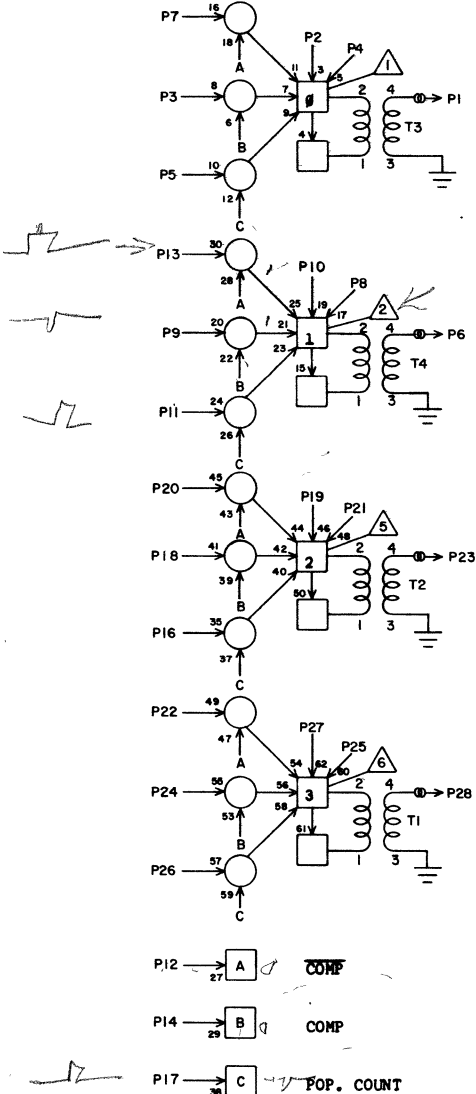
2J42

TI			
2J42			
1	I24	24	29
2	I24	18	19
3	E20	25	29
4	E21	25	27
5			
6			
7			
8			
9	I37	22	9
10	G32	4	19
11	D10	8	37
12			
13	I37	21	9
14			
15	H24	19	25
16	D16	4	35
17			
18	B35	4	33
19			
20	B35	28	33
21	G42	10	13
22	G42	20	13
23	B36	16	35
24	D16	16	35
25	D07	5	43
26	D07	7	41
27			
28			

JACK PIN LG

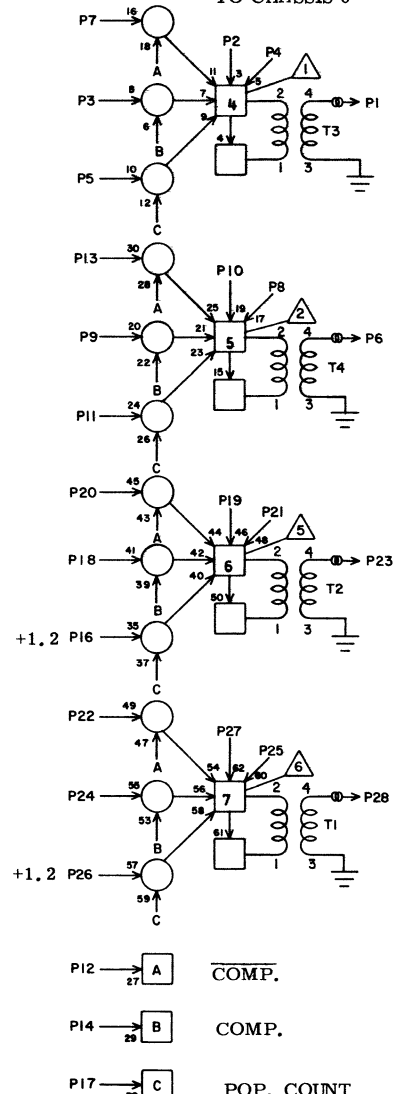
63019700 Rev. AD

CHASSIS 2 COEFFICIENT RESULT (X_i)
TO CHASSIS 6



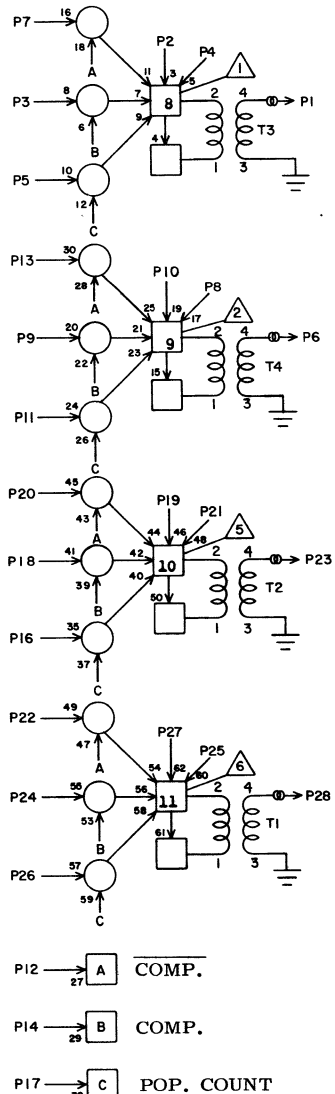
RM		2K01	
JACK	PIN	LG	
1	W24	90	
2	Q01	2	25
3	J04	9	7
4			
5	H22	14	25
6	W24	91	
7	J04	7	7
8			
9	J04	28	7
10	Q01	5	25
11	H22	11	25
12	I09	15	15
13	J04	26	7
14	I09	25	15
15			
16	H22	27	25
17	G15	14	23
18	J04	16	7
19	Q01	8	25
20	J04	24	9
21			
22	J04	14	9
23	W24	92	
24	J04	12	7
25			
26	H23	14	27
27	Q01	20	25
28	W24	93	

CHASSIS 2 COEFFICIENT RESULT (X_i)
TO CHASSIS 6



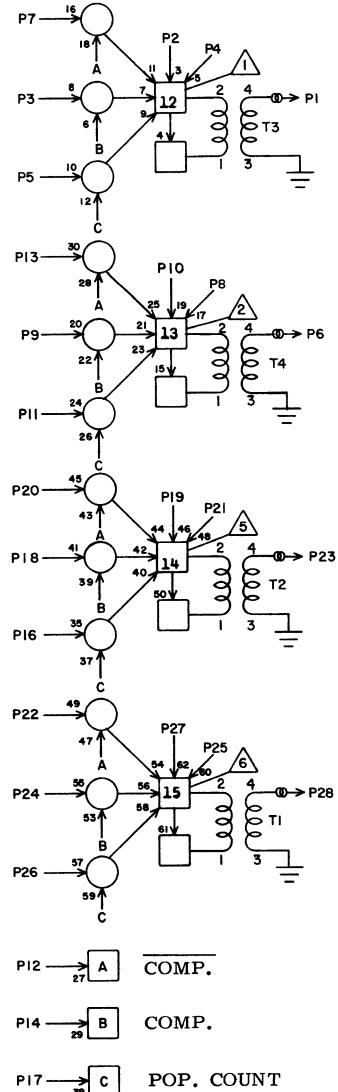
RM		2K02	
JACK	PIN	LG	
1	W24	94	
2	Q01	9	25
3	J05	9	7
4			
5	H23	11	25
6	W24	95	
7	J05	7	9
8			
9	J05	28	5
10	Q01	23	25
11	H23	27	25
12	I09	7	15
13	J05	26	9
14	I09	23	15
15			
16	M06	27	13
17	G15	8	23
18	J05	16	9
19	Q02	2	25
20	J05	24	7
21			
22	J05	14	9
23	W24	96	
24	J05	12	9
25			
26	M07	27	13
27	Q02	5	25
28	W24	97	

CHASSIS 2 COEFFICIENT RESULT (X₁)
TO CHASSIS 6



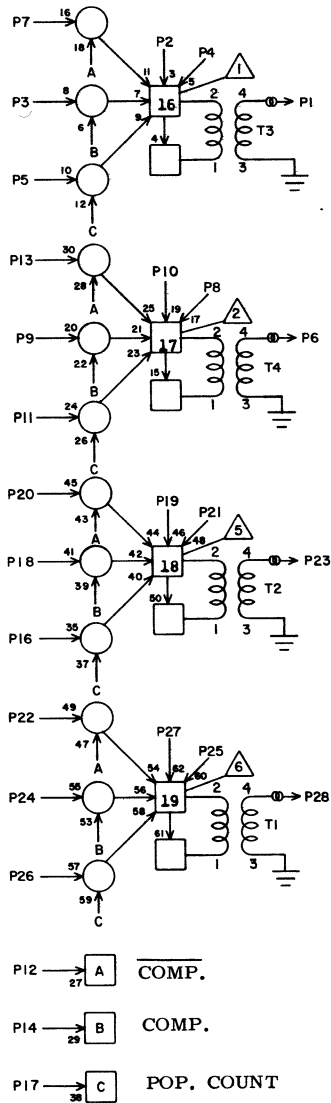
RM		2K03	
JACK	PIN	LG	
1	W24	98	
2	Q02	8	25
3	J06	9	9
4			
5			
6	W24	99	
7	J06	7	9
8			
9	J06	28	7
10	Q02	20	25
11			
12	I09	6	15
13	J06	26	9
14	I09	26	15
15			
16			
17			
18	J06	16	9
19	Q02	9	25
20	J06	24	9
21			
22	J06	14	9
23	W24	900	
24	J06	12	9
25			
26			
27	Q02	23	25
28	W24	901	

CHASSIS 2 COEFFICIENT RESULT (X₁)
TO CHASSIS 6



RM		2K04	
JACK	PIN	LG	
1	W24	902	
2	Q03	2	25
3	J07	9	9
4			
5			
6	W24	903	
7	J07	7	9
8			
9	J07	28	7
10	Q03	5	25
11			
12	I09	4	15
13	J07	26	9
14	I09	24	15
15			
16			
17			
18	J07	16	9
19	Q03	8	25
20	J07	24	9
21			
22	J07	14	9
23	W24	904	
24	J07	12	9
25			
26			
27	Q03	20	25
28	W24	905	

CHASSIS 2 COEFFICIENT RESULT (X₁)
TO CHASSIS 6



RM

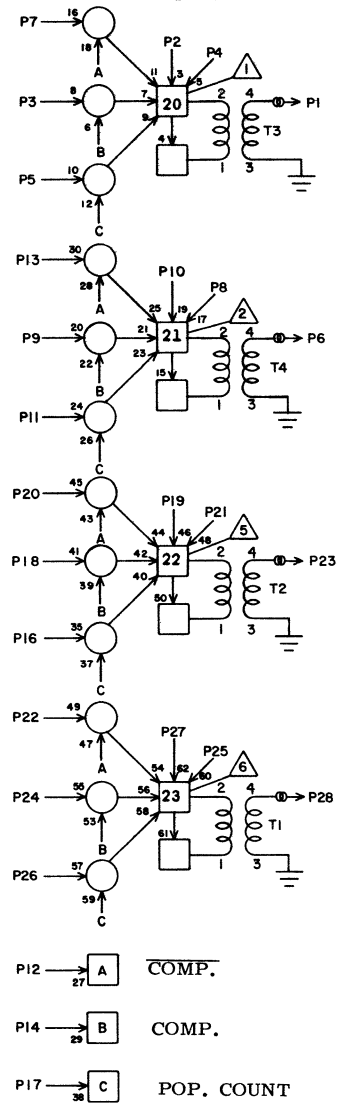
2K05

1	W24	906	
2	Q03	9	25
3	J08	9	9
4			
5			
6	W24	907	
7	J08	7	9
8			
9	J08	28	7
10	Q03	23	25
11			
12	I09	9	15
13	J08	26	7
14	I09	22	15
15			
16			
17			
18	J08	16	9
19	Q04	2	25
20	J08	24	9
21			
22	J08	14	9
23	W25	90	
24	J08	12	9
25			
26			
27	Q04	5	25
28	W25	91	

JACK PIN LG

63019700 Rev.H

CHASSIS 2 COEFFICIENT RESULT (X₁)
TO CHASSIS 6



RM

2K06

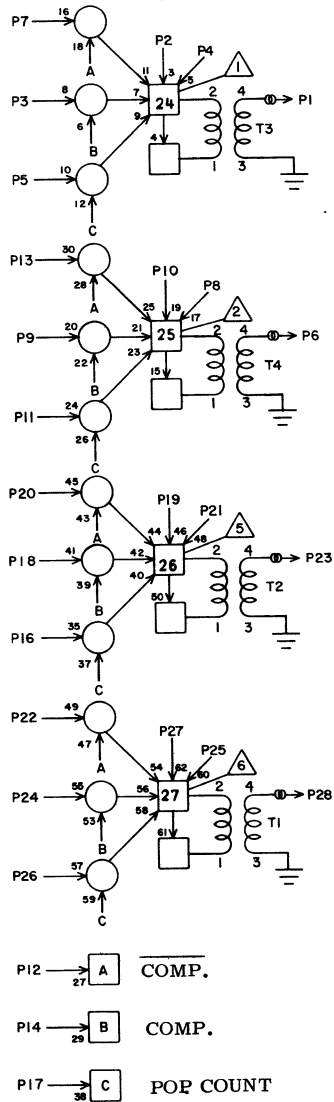
1	W25	92	
2	Q04	8	25
3	J09	9	9
4			
5			
6	W25	93	
7	J09	7	9
8			
9	J09	28	7
10	Q04	20	25
11			
12	I09	11	15
13	J09	26	7
14	I09	20	15
15			
16			
17			
18	J09	16	9
19	Q04	9	25
20	J09	24	9
21			
22	J09	14	9
23	W25	94	
24	J09	12	9
25			
26			
27	Q04	23	25
28	W25	95	

JACK PIN LG

2K06

63019700 Rev. H

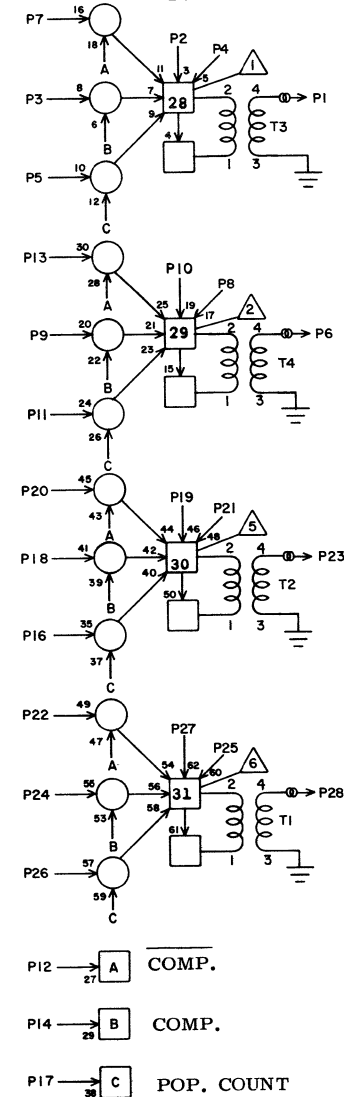
CHASSIS 2 COEFFICIENT RESULT (X₁)
TO CHASSIS 6



RM		2K07	
JACK	PIN	LG	
1	W25	96	
2	Q05	2	25
3	J10	9	9
4			
5			
6	W25	97	
7	J10	7	9
8			
9	J10	28	7
10	Q05	5	25
11			
12	I09	13	15
13	J10	26	9
14	I09	18	15
15			
16			
17			
18	J10	16	9
19	Q05	8	25
20	J10	24	9
21			
22	J10	14	9
23	W25	98	
24	J10	12	9
25			
26			
27	Q05	20	25
28	W25	99	

63019700 Rev. H

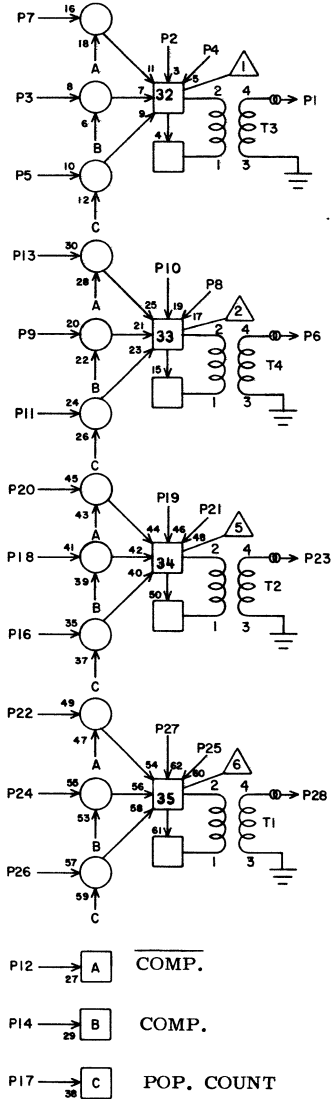
CHASSIS 2 COEFFICIENT RESULT (X₁)
TO CHASSIS 6



RM		2K08	
JACK	PIN	LG	
1	W25	900	
2	Q05	9	25
3	J11	9	9
4			
5			
6	W25	901	
7	J11	7	9
8			
9	J11	28	7
10	Q05	23	25
11			
12	I09	1	15
13	J11	26	7
14	I09	28	13
15			
16			
17			
18	J11	16	9
19	M01	2	13
20	J11	24	9
21			
22	J11	14	9
23	W25	902	
24	J11	12	9
25			
26			
27	M01	5	13
28	W25	903	

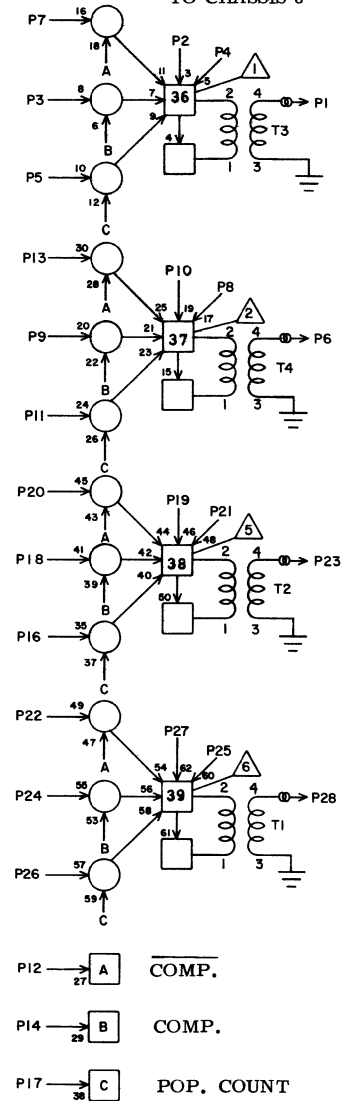
63019700 Rev. H

CHASSIS 2 COEFFICIENT RESULT (X₁)
TO CHASSIS 6



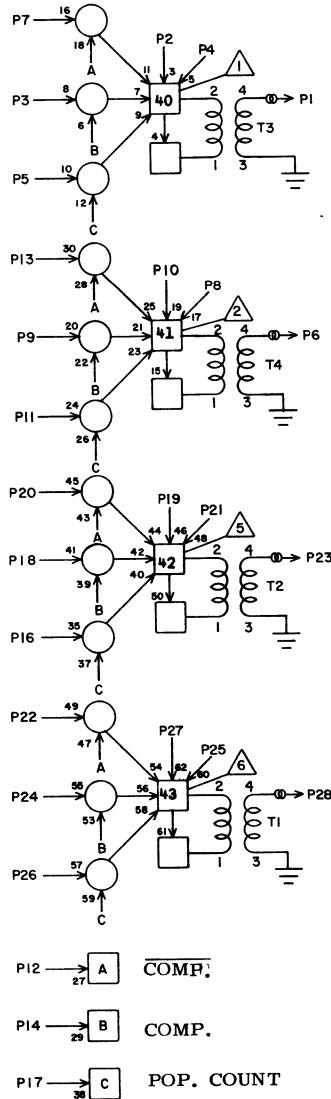
RM 2K09			
JACK	PIN	LG	
1	W25	904	
2	M01	8	15
3	J12	9	9
4			
5			
6	W25	905	
7	J12	7	9
8			
9	J12	28	7
10	M01	20	15
11			
12	I09	8	15
13	J12	26	7
14	I09	21	13
15			
16			
17			
18	J12	16	9
19	M01	9	15
20	J12	24	9
21			
22	J12	34	9
23	W25	906	
24	J12	12	9
25			
26			
27	M01	23	15
28	W25	907	

CHASSIS 2 COEFFICIENT RESULT (X₁)
TO CHASSIS 6



RM 2K10			
JACK	PIN	LG	
1	W26	90	
2	M02	2	15
3	J13	9	9
4			
5			
6	W26	91	
7	J13	7	9
8			
9	J13	28	7
10	M02	5	15
11			
12	I09	10	15
13	J13	26	7
14	I09	19	13
15			
16			
17			
18	J13	16	9
19	M02	8	15
20	J13	24	9
21			
22	J13	14	9
23	W26	92	
24	J13	12	9
25			
26			
27	M02	20	15
28	W26	93	

1) CHASSIS 2 COEFFICIENT RESULT (X₁)
TO CHASSIS 6

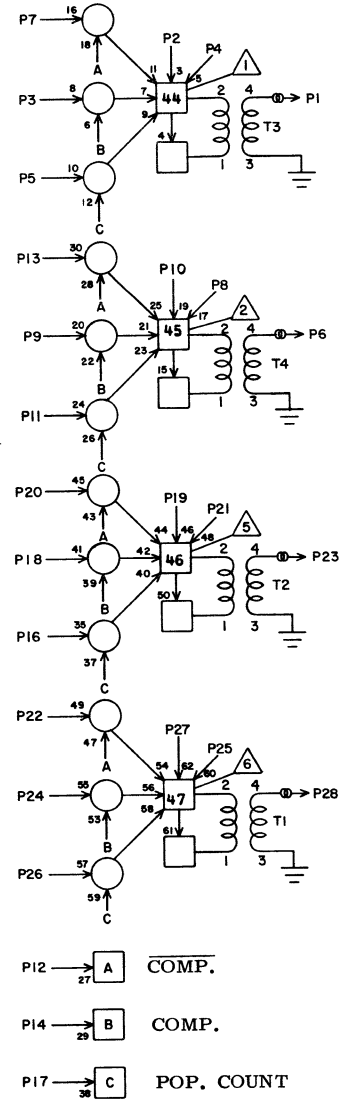


RM		2K11	
1	W26	94	
2	M02	9	15
3	J14	9	9
4			
5			
6	W26	95	
7	J14	7	9
8			
9	J14	28	7
10	M02	23	15
11			
12	I09	12	13
13	J14	26	7
14	I09	17	13
15			
16			
17			
18	J14	16	9
19	M03	2	15
20	J14	24	9
21			
22	J14	14	9
23	W26	96	
24	J14	12	9
25			
26			
27	M03	5	13
28	W26	97	

JACK PIN LG

63019700 Rev. H

CHASSIS 2 COEFFICIENT RESULT (X₁)
TO CHASSIS 6

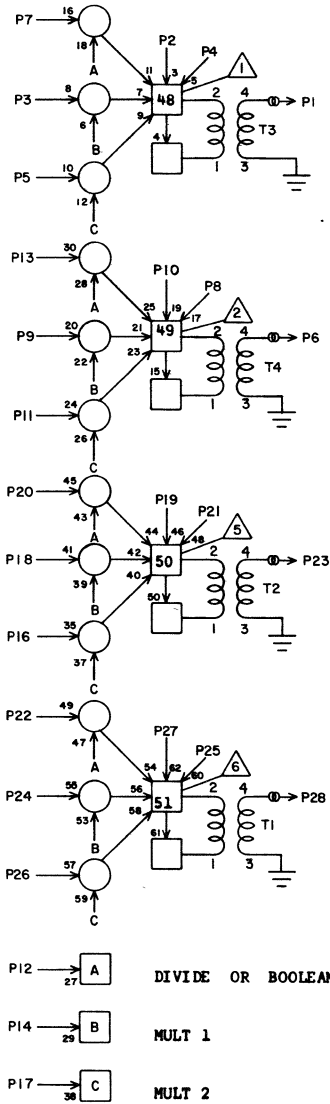


RM		2K12	
1	W26	98	
2	M03	8	15
3	J15	9	9
4			
5			
6	W26	99	
7	J15	7	9
8			
9	J15	28	7
10	M03	20	15
11			
12	I09	2	13
13	J15	26	9
14	I09	27	13
15			
16			
17			
18	J15	16	9
19	M03	9	15
20	J15	24	9
21			
22	J15	14	9
23	W26	900	
24	J15	12	9
25			
26			
27	M03	23	15
28	W26	901	

JACK PIN LG

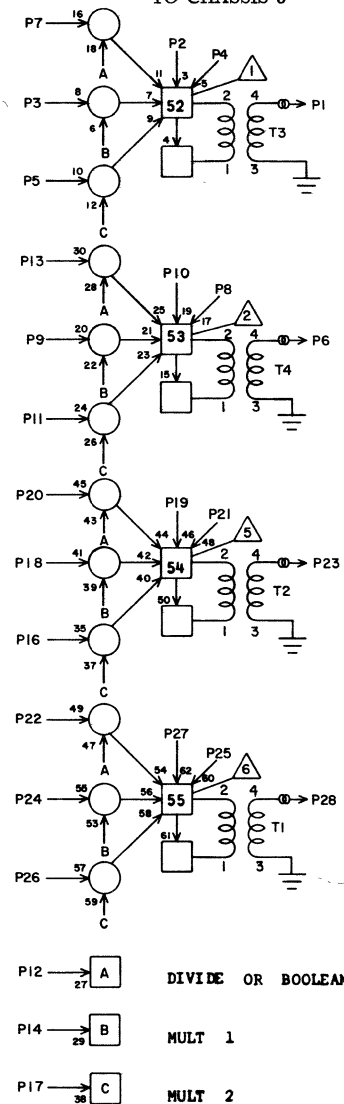
63019700 Rev. H

CHASSIS 2 EXPONENT RESULT (X_i)
TO CHASSIS 8



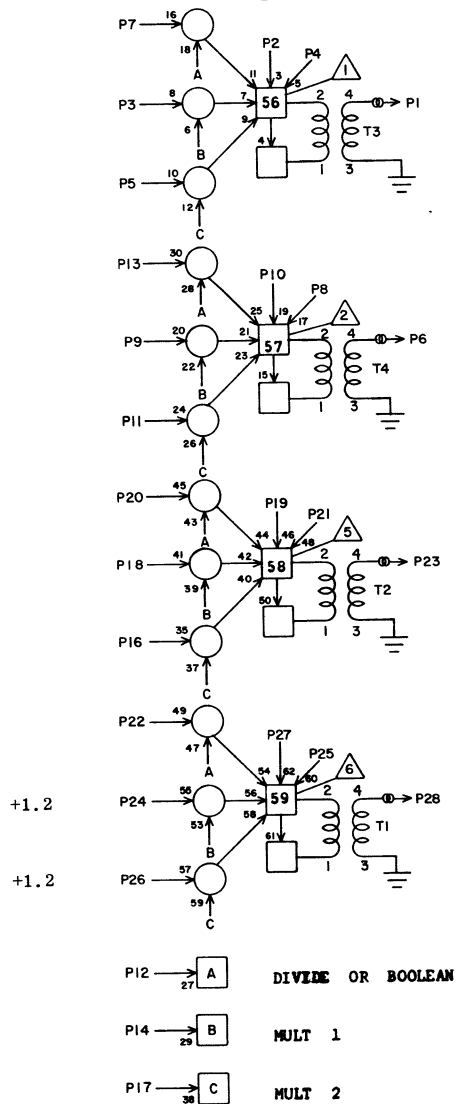
RM		2K13	
JACK	PIN	LG	
1	W22	902	
2			
3	F20	9	23
4			
5	F22	9	25
6	W22	903	
7	F18	9	23
8			
9	F20	8	23
10			
11	F22	8	25
12	H26	26	21
13	F18	8	23
14	H25	2	27
15			
16	F22	10	25
17	H25	23	27
18	F20	10	25
19			
20	F18	10	25
21			
22	F18	19	23
23	W22	904	
24	F20	19	25
25			
26	F22	19	25
27			
28	W22	905	

CHASSIS 2 EXPONENT RESULT (X_i)
TO CHASSIS 8



RM		2K14	
JACK	PIN	LG	
1	W22	906	
2			
3	F20	21	23
4			
5	F22	21	23
6	W22	907	
7	F18	21	23
8			
9	F20	20	23
10			
11	F22	20	25
12	H26	24	19
13	F18	20	23
14	H25	12	27
15			
16	F23	9	25
17	H25	19	27
18	F21	9	25
19			
20	F19	9	25
21			
22	F19	8	25
23	W23	902	
24	F21	8	25
25			
26	F23	8	25
27			
28	W23	903	

CHASSIS 2 EXPONENT RESULT (X₁)
TO CHASSIS 8



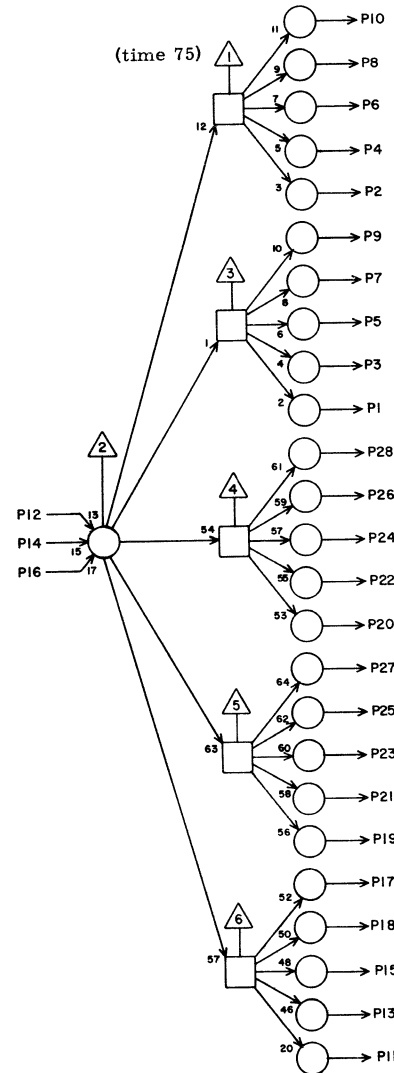
RM **2K15**

	JACK	PIN	LG
1	W23	904	
2			
3	F21	10	23
4			
5	F23	10	25
6	W23	905	
7	F19	10	23
8			
9	F21	19	23
10			
11	F23	19	25
12	H26	22	19
13	F19	19	23
14	H25	10	27
15			
16	F23	21	25
17	H25	17	27
18	F21	21	23
19			
20	F19	21	23
21			
22	F19	20	23
23	W23	906	
24	L06	27	13
25	I37	9	23
26	L09	27	11
27	I37	13	23
28	W23	907	

63019700 Rev.H

PICK 2-BIT QUOTIENT

PICK 3

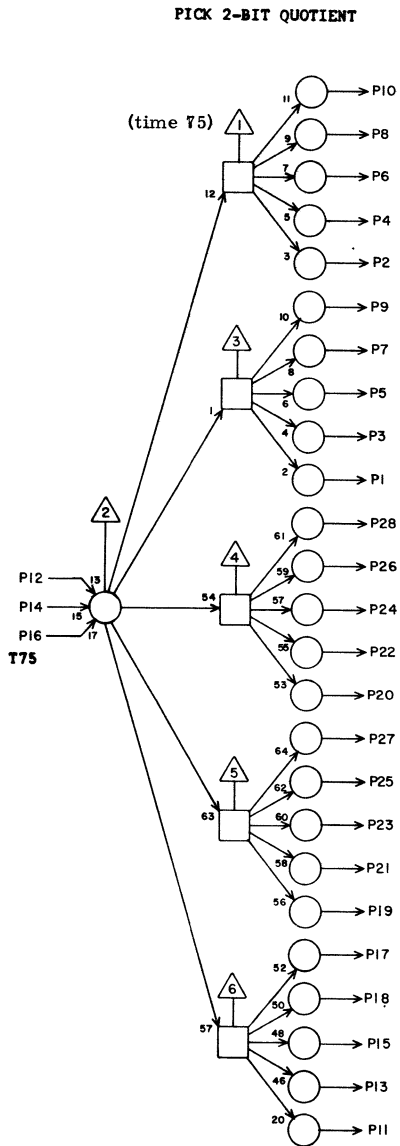


CA **2K16**

	JACK	PIN	LG
1	L12	16	11
2	L13	16	9
3	L14	16	9
4	L15	16	9
5	L16	16	9
6	L17	16	9
7	L18	16	9
8	L19	16	9
9	N12	16	15
10	N13	16	15
11	N14	16	15
12	K21	14	9
13	N15	16	15
14		Grd	2
15	N16	16	15
16	K42	3	27
17	N17	16	15
18	N18	16	15
19	N19	16	15
20	I10	10	15
21	M37	16	23
22	I10	2	15
23			
24			
25			
26			
27			
28			

63019700 Rev. AE

PICK 2



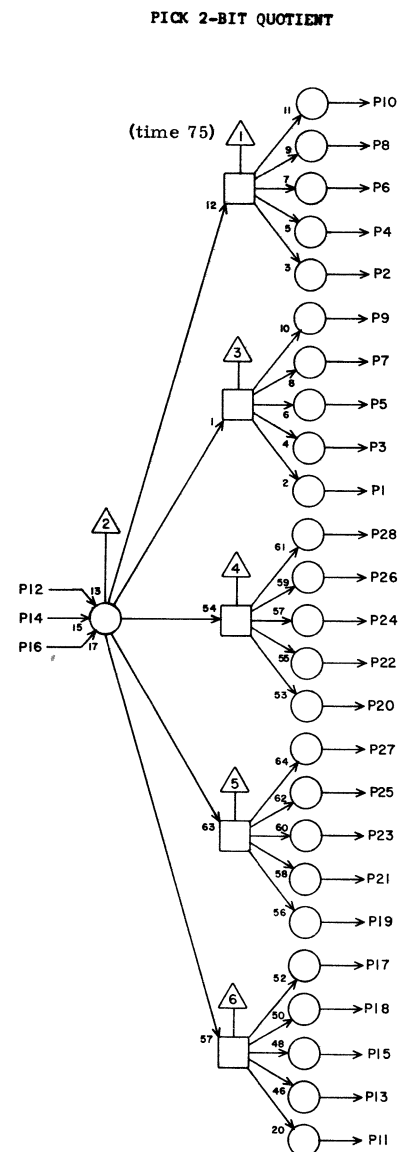
CA 2K17

1	L20	16	9
2	L21	16	11
3	L22	16	11
4	L23	16	11
5	L24	16	11
6	L25	16	13
7	L26	16	13
8	L27	16	15
9	N20	16	15
10	N21	16	15
11	N22	16	15
12	K26	14	13
13	N23	16	15
14	K21	16	7
15	N24	16	15
16	K42	1	25
17	N25	16	15
18	N26	16	17
19	N27	16	17
20	I10	8	15
21	N37	16	25
22			
23			
24			
25			
26			
27			
28			

JACK PIN LG

63019700 Rev.H

PICK 1



CA 2K18

1	L20	16	15
2	L29	16	15
3	L30	16	15
4	L31	16	15
5	L32	16	15
6	L33	16	17
7	L34	16	17
8	L35	16	17
9	N28	16	19
10	N29	16	19
11	N30	16	19
12	K31	14	15
13	N31	16	19
14	K26	16	11
15	N32	16	21
16	J23	19	11
17	N33	16	21
18	N34	16	23
19	N35	16	23
20	I10	4	15
21	O37	16	25
22			
23			
24			
25			
26			
27	G36	5	27
28			

JACK PIN LG

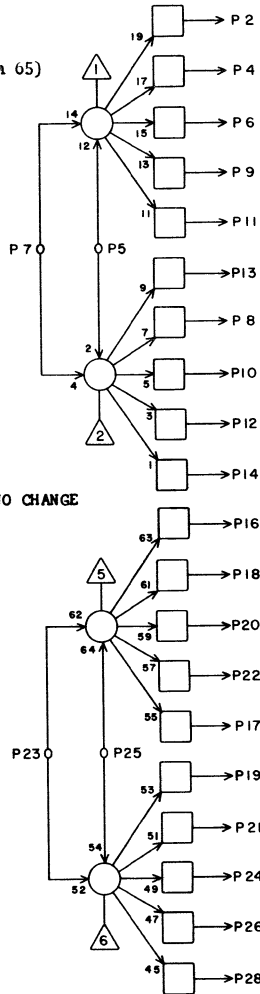
63019700 Rev. Z

2K18

PICK 2-BIT QUOTIENT

(time less than 65)

PICK NO CHANGE



HC

2K19

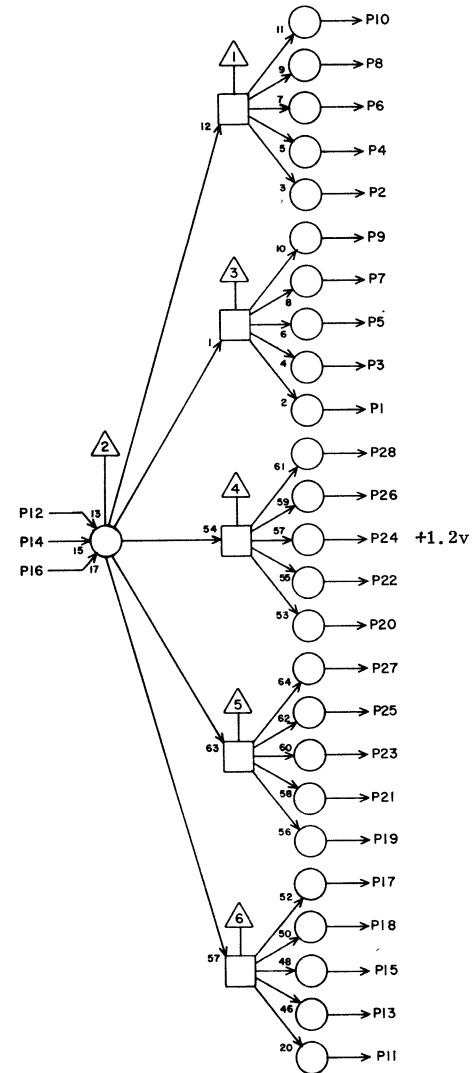
JACK	PIN	LG
1		
2	L38	18 21
3		
4	L39	18 21
5	K31	16 13
6	L40	18 23
7		Grd 2
8	L41	18 23
9	M39	18 23
10	M40	18 23
11	N39	18 25
12	N40	18 25
13	Q39	18 27
14	Q40	18 27
15		
16		
17		
18		
19		
20		
21		
22		
23		
24		
25		
26		
27		
28		

JACK PIN LG

63019700 Rev. H

CA

2K20

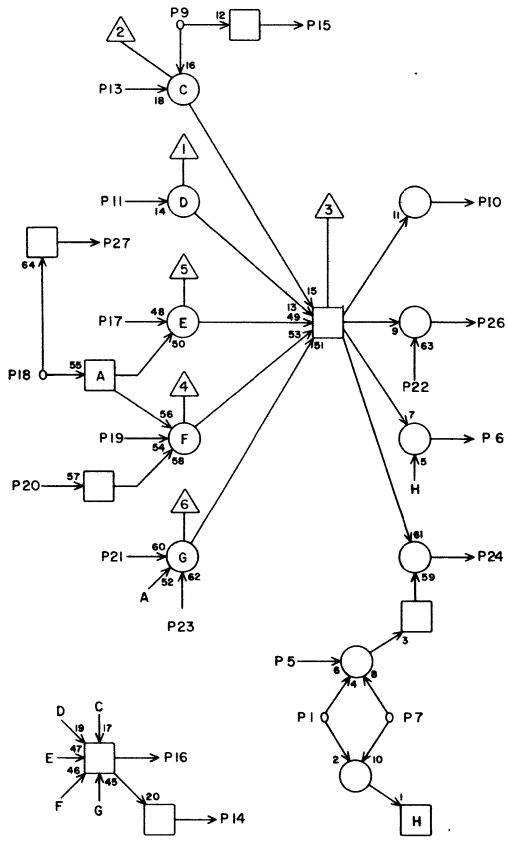


JACK	PIN	LG
1	J04	3 19
2	J04	4 19
3	J05	3 17
4	J05	4 17
5	J06	3 17
6	J06	4 17
7	J07	3 17
8	J07	4 17
9	J08	3 13
10	J08	4 13
11	J09	3 13
12		Grd 2
13	J09	4 13
14		Grd 2
15	J10	3 13
16		Grd 2
17	J10	4 13
18	J11	3 13
19	J11	4 13
20	J12	3 13
21	J12	4 13
22	J13	3 13
23	J13	4 13
24	J14	3 11
25	J14	4 13
26	J15	3 11
27	J15	4 11
28		

JACK PIN LG

63019700 Rev. H

DIVIDE
 $X_j - 3X_k$

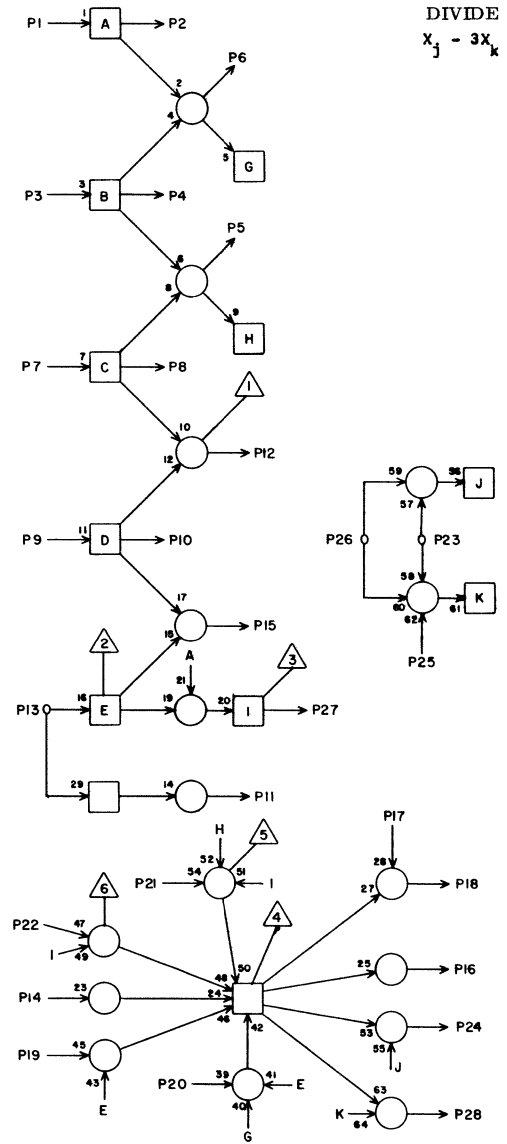


GE 2K21

1			
2			
3			
4			
5	M13	19	13
6	P16	19	25
7	M12	19	13
8			
9	K22	2	3
10			
11	P20	7	23
12			
13	P19	7	23
14	K16	12	9
15	K25	20	7
16	X17	14	7
17	P18	7	23
18	X22	6	3
19	P17	7	23
20	K24	15	7
21	P16	7	23
22			
23	K24	27	5
24	P16	18	23
25			
26			
27	K25	23	7
28			

JACK PIN LG

63019700 Rev. AD



DIVIDE
 $X_j - 3X_k$

FC 2K22

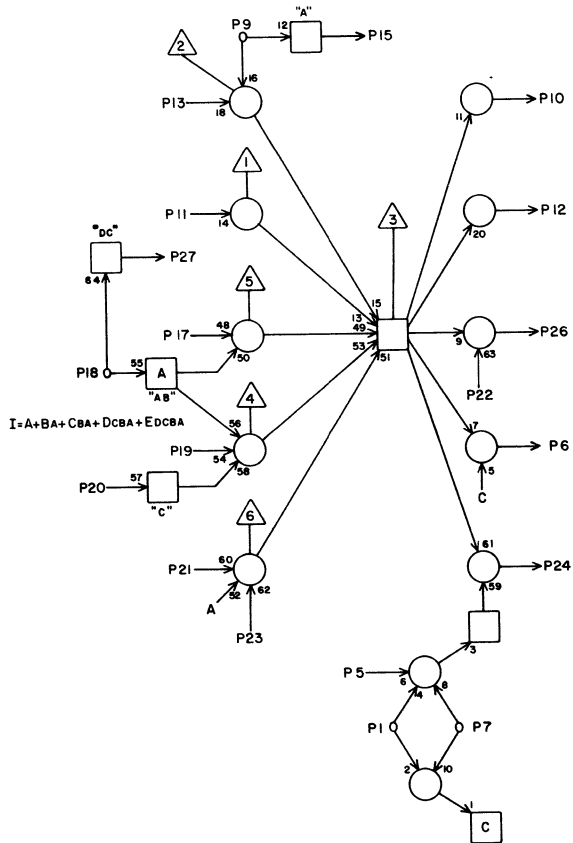
1	P20	6	25
2	K21	9	3
3	P19	6	23
4	K23	9	5
5	K23	18	5
6	K21	18	5
7	P18	6	23
8	K24	9	5
9	P17	6	23
10	K25	9	5
11	K24	20	5
12	K24	18	5
13	P16	6	23
14	P16	8	23
15	K25	18	5
16	P17	27	23
17	J26	7	11
18	P17	25	23
19	P20	8	23
20	P18	8	23
21	P17	8	23
22	P19	8	23
23	J26	8	11
24	P17	19	23
25	M17	19	13
26	M16	19	13
27	K24	23	5
28	P17	18	23

JACK PIN LG

63019700 Rev. H

2K22

DIVIDE
 $X_j - 3X_k$

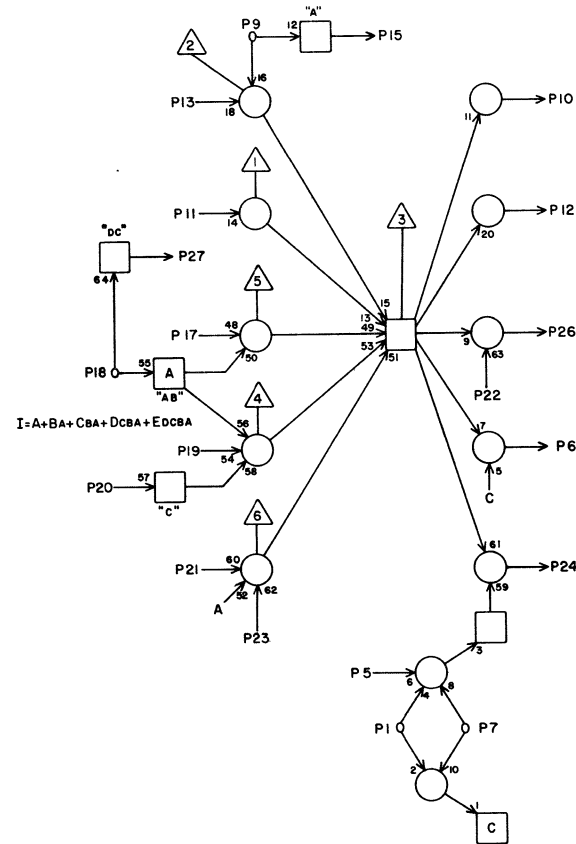


FD		2K23	
1	J27	5	9
2			
3			
4			
5		Grd	2
6	P20	19	23
7	M36	19	17
8			
9	K22	4	5
10	P20	27	23
11	P19	10	23
12			
13	P18	10	23
14			
15			
16			
17	P17	10	23
18	K22	5	5
19	P16	10	23
20	K25	15	5
21	P20	10	23
22	J27	9	9
23	K25	27	5
24	P20	18	23
25			
26	P20	25	23
27			
28			

JACK PIN LG

63019700 Rev. H

DIVIDE
 $X_j - 3X_k$

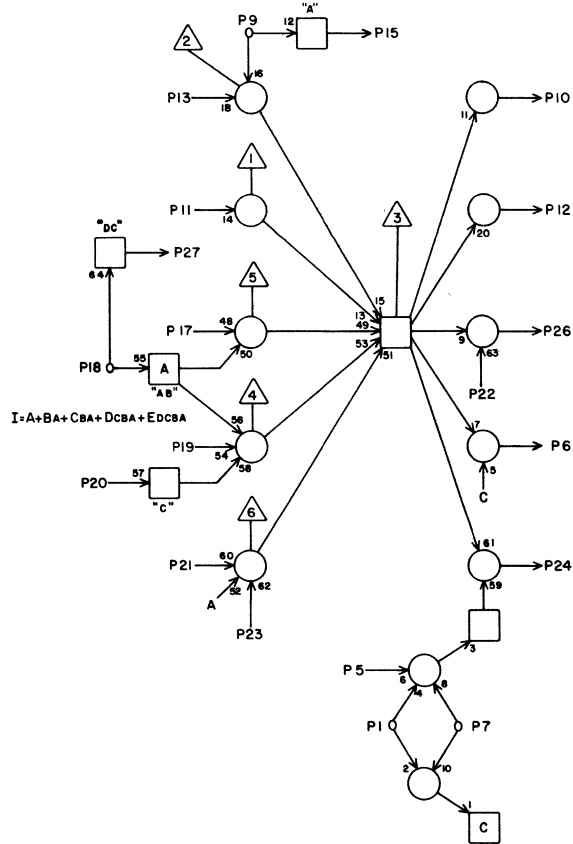


FD		2K24	
1	J27	7	9
2			
3			
4			
5	O17	19	21
6	P19	19	25
7	O16	19	21
8			
9	K22	8	5
10	P19	27	25
11	P18	9	25
12			
13	P17	9	23
14			
15	K21	20	7
16			
17	P16	9	23
18	K22	12	5
19	P20	9	23
20	K22	11	5
21	P19	9	23
22	J27	8	9
23	K22	27	5
24	P19	18	25
25			
26	P19	25	25
27	K21	23	5
28			

JACK PIN LG

63019700 Rev. H

DIVIDE
 $x_j - 3x_k$

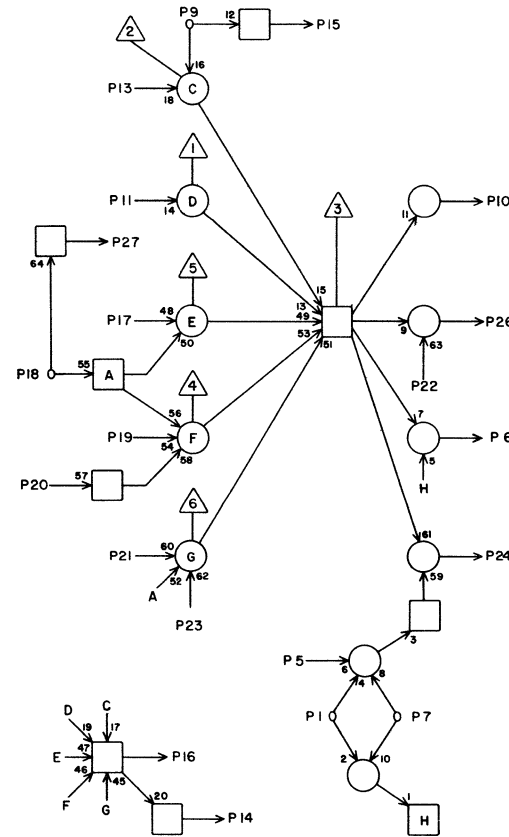


FD **2K25**

1	J26	5	7
2			
3			
4			
5	O13	19	23
6	P18	19	25
7	O12	19	23
8			
9	K22	10	5
10	P18	27	25
11	P17	12	25
12			
13	P16	12	25
14			
15	K23	20	5
16			
17	P20	12	23
18	K22	15	5
19	P19	12	23
20	K21	15	7
21	P18	12	23
22	J26	9	9
23	K21	27	7
24	P18	18	25
25			
26	P18	25	25
27	K23	23	5
28			

JACK PIN LG

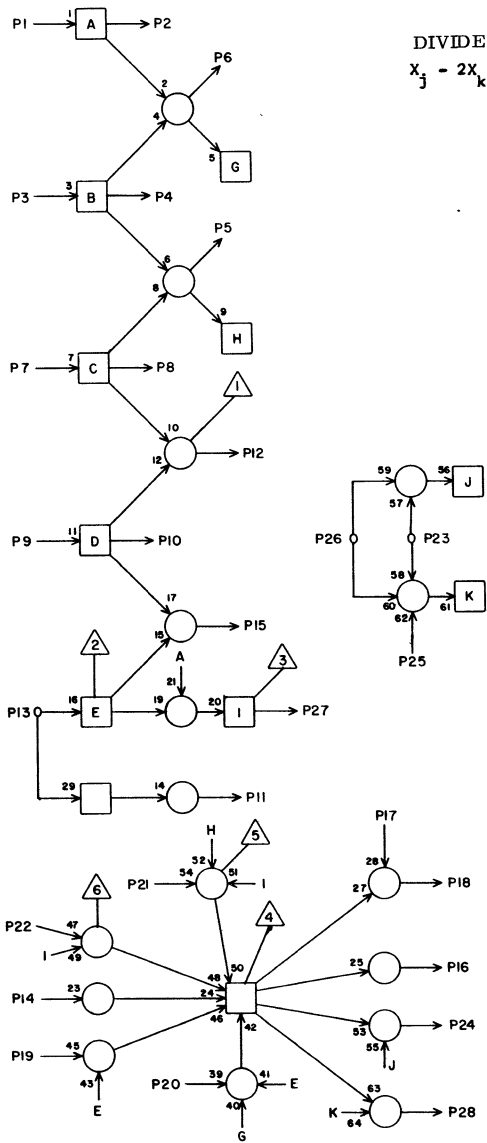
DIVIDE
 $x_j - 2x_k$



GE **2K26**

1			
2			
3			
4			
5	M21	19	15
6	P21	19	25
7	M20	19	15
8			
9	K27	2	3
10	P21	27	25
11	P25	7	23
12			
13	P24	7	23
14	K17	12	13
15	K30	20	7
16	K18	14	11
17	P23	7	23
18	K27	6	5
19	P22	7	23
20	K29	15	7
21	P21	7	23
22			
23	K29	27	7
24	P21	18	23
25			
26			
27	K30	23	7
28			

JACK PIN LG



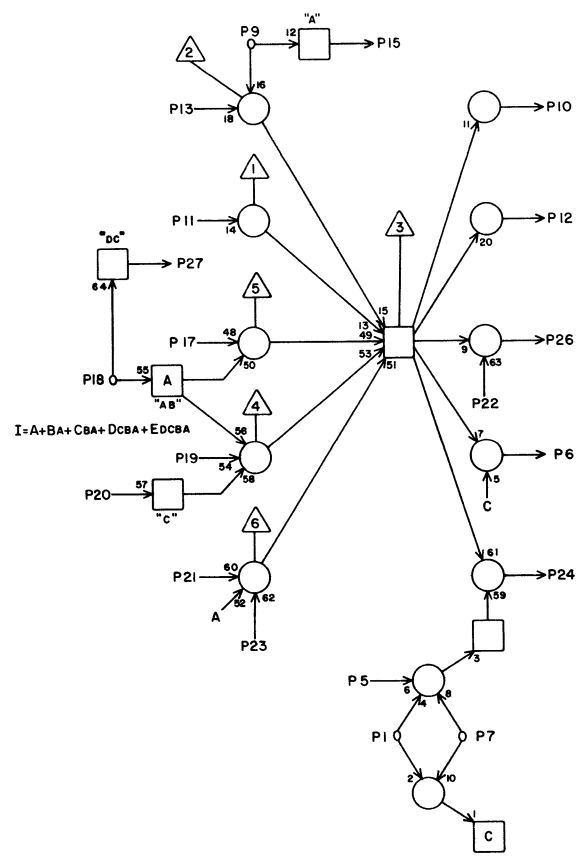
DIVIDE
 $X_j - 2X_k$

FC 2K27

1	P25	6	23
2	K26	9	3
3	P24	6	23
4	K28	9	5
5	K28	18	5
6	K26	18	5
7	P23	6	23
8	K29	9	5
9	P22	6	23
10	K30	9	5
11	K29	20	5
12	K29	18	5
13	P21	6	23
14	P21	8	23
15	K30	18	5
16	P22	27	23
17	J26	2	9
18	P22	25	25
19	P25	8	23
20	P23	8	23
21	P22	8	23
22	P24	8	23
23	J26	4	9
24	P22	19	23
25	M25	19	11
26	M24	19	13
27	K29	23	5
28	P22	18	23

JACK PIN LG

DIVIDE
 $X_j - 2X_k$

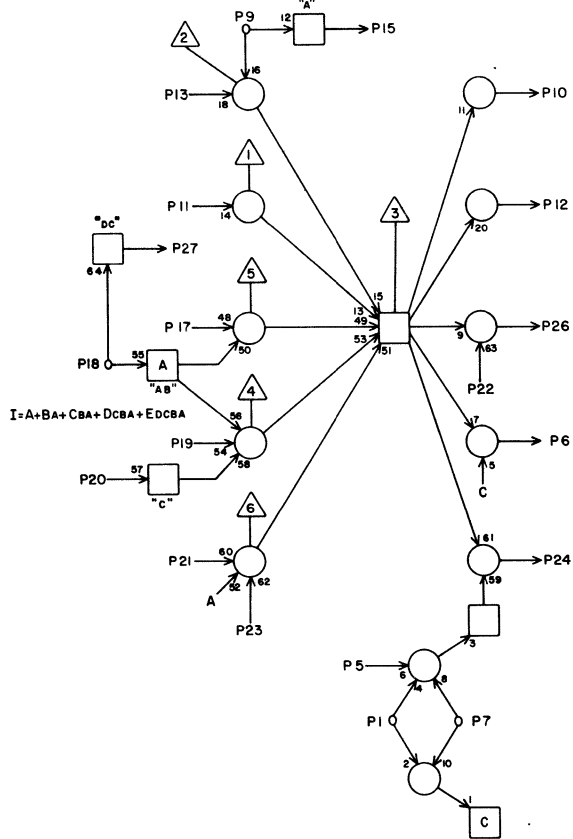


FD 2K28

1	J27	17	7
2			
3			
4			
5		Grd	2
6	P25	19	25
7	N36	19	17
8			
9	K27	4	5
10	P25	27	25
11	P24	10	23
12			
13	P23	10	23
14			
15			
16			
17	P22	10	23
18	K27	5	5
19	P21	10	23
20	K30	15	5
21	P25	10	23
22	J27	19	9
23	K30	27	5
24	P25	18	23
25			
26	P25	25	23
27			
28			

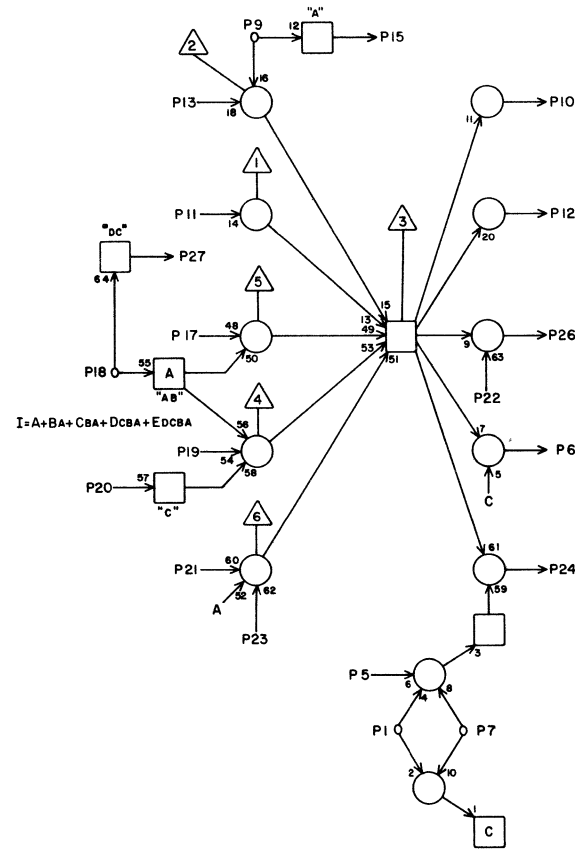
JACK PIN LG

DIVIDE
 $X_j - 2X_k$



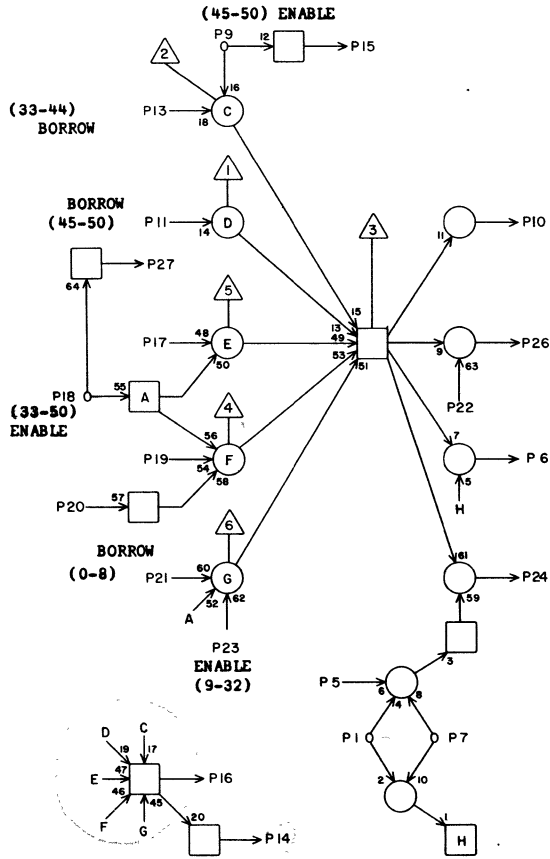
FD		
2K29		
JACK	PIN	LG
1	J27	9
2		
3		
4		
5	O25	21
6	P24	25
7	O24	21
8		
9	K27	5
10	P24	25
11	P23	23
12		
13	P22	23
14		
15	K26	7
16		
17	P21	23
18	K27	5
19	P25	23
20	K27	5
21	P24	23
22	J27	9
23	K27	5
24	P24	23
25		
26	P24	23
27	K26	7
28		

DIVIDE
 $X_j - 2X_k$



FD		
2K30		
JACK	PIN	LG
1	J26	9
2		
3		
4		
5	O21	23
6	P23	25
7	O20	25
8		
9	K27	5
10	P23	25
11	P22	25
12		
13	P21	25
14		
15	K28	5
16		
17	P25	23
18	K27	5
19	P24	23
20	K26	7
21	P23	23
22	J26	9
23	K26	7
24	P23	23
25		
26	P23	23
27	K28	5
28		

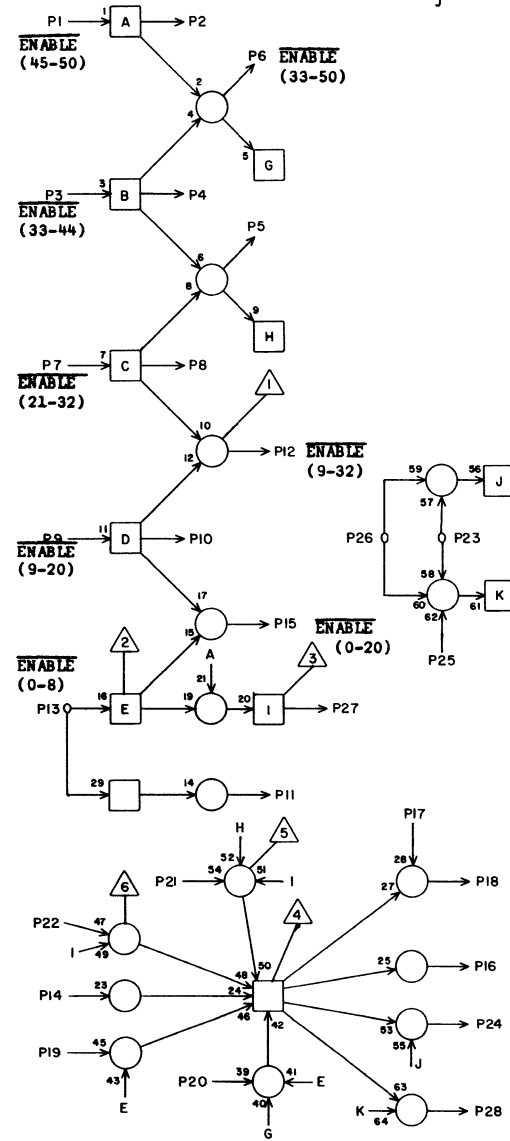
DIVIDE
 $X_j - X_k$



GE		2K31	
JACK	PIN	LG	
1			
2			
3			
4			
5	M29	19	13
6	P26	19	25
7	M28	19	13
8			
9	K32	2	3
10	P26	27	25
11	P30	7	23
12			
13	P29	7	23
14	K18	12	15
15	K35	20	7
16	K19	5	13
17	P28	7	23
18	K32	6	5
19	P27	7	23
20	K34	15	5
21	P26	7	23
22			
23	K34	27	5
24	P26	18	23
25			
26			
27	K35	23	7
28			

63019700 Rev. H

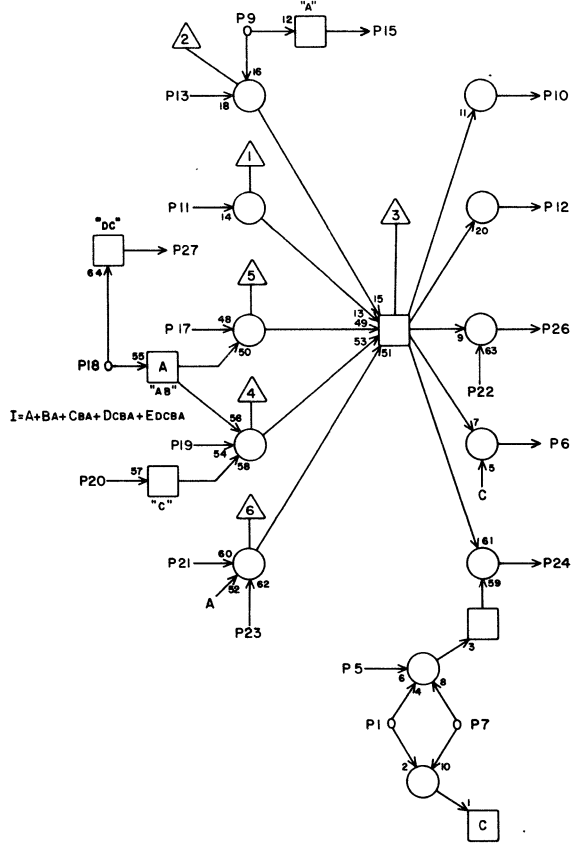
DIVIDE
 $X_j - X_k$



FC		2K32	
JACK	PIN	LG	
1	P30	6	23
2	K31	9	3
3	P29	6	23
4	K33	9	5
5	K33	18	5
6	K31	18	5
7	P28	6	23
8	K34	9	7
9	P27	6	23
10	K35	9	7
11	K34	20	5
12	K34	18	5
13	P26	6	23
14	P26	8	23
15	K35	18	5
16	P27	27	25
17	J26	16	11
18	P27	25	23
19	P30	8	23
20	P28	8	23
21	P27	8	23
22	P29	8	23
23	J26	18	11
24	P27	19	23
25	M33	19	11
26	M32	19	11
27	K34	23	5
28	P27	18	23

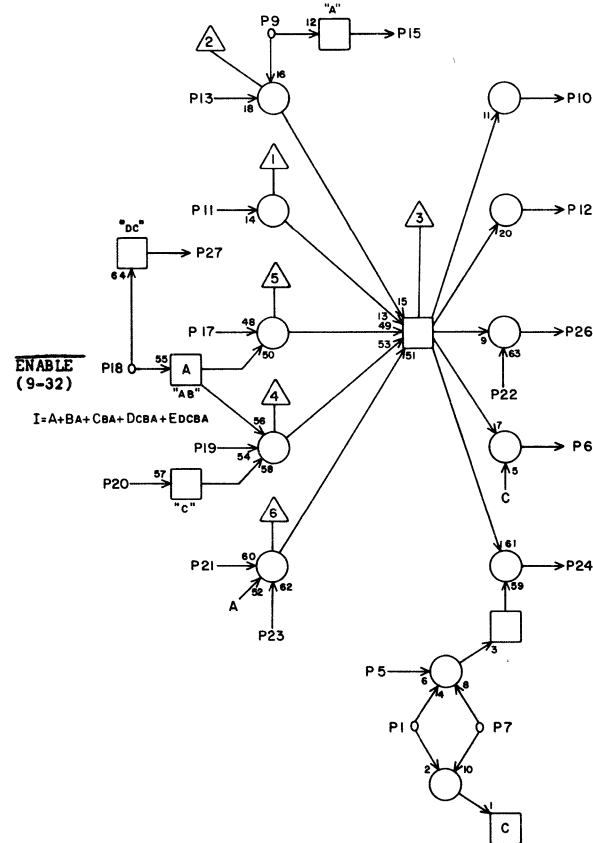
63019700 Rev. H

DIVIDE
 $X_j - X_k$



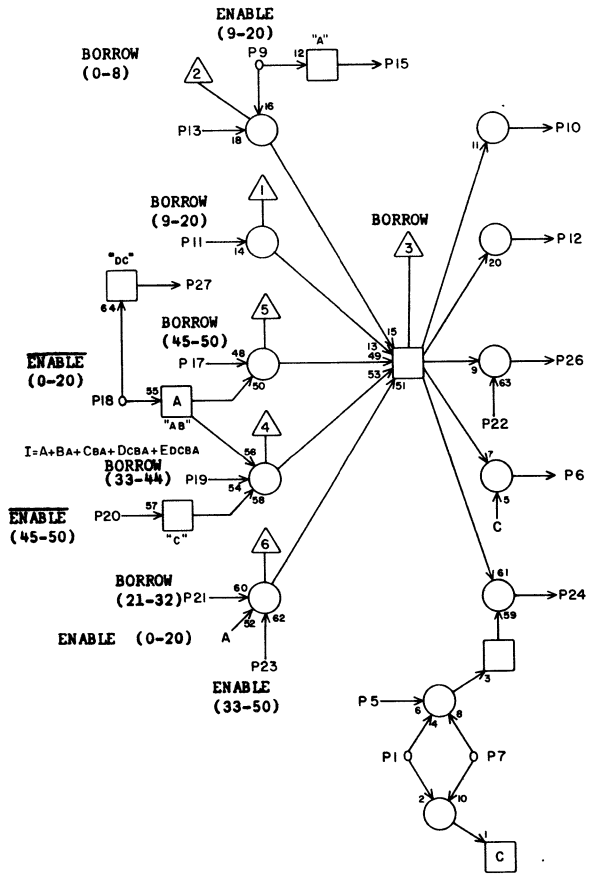
FD		2K33	
JACK	PIN	LG	
1	J27	21	11
2			
3			
4			
5		Grd	2
6	P30	19	25
7	O36	19	21
8			
9	K32	4	5
10	P30	27	25
11	P29	10	23
12			
13	P28	10	23
14			
15			
16			
17	P27	10	23
18	K32	5	5
19	P26	10	23
20	K35	15	5
21	P30	10	23
22	J27	22	11
23	K35	27	5
24	P30	18	23
25			
26	P30	25	23
27			
28			

DIVIDE
 $X_j - X_k$



FD		2K34	
JACK	PIN	LG	
1	J27	16	11
2			
3			
4			
5	O33	19	21
6	P29	19	25
7	O32	19	21
8			
9	K32	8	7
10	P29	27	25
11	P28	9	25
12			
13	P27	9	23
14			
15	K31	20	5
16			
17	P26	9	23
18	K32	12	5
19	P30	9	23
20	K32	11	5
21	P29	9	23
22	J27	18	13
23	K32	27	5
24	P29	18	23
25			
26	P29	25	23
27	K31	23	5
28			

DIVIDE
 $X_j - X_k$

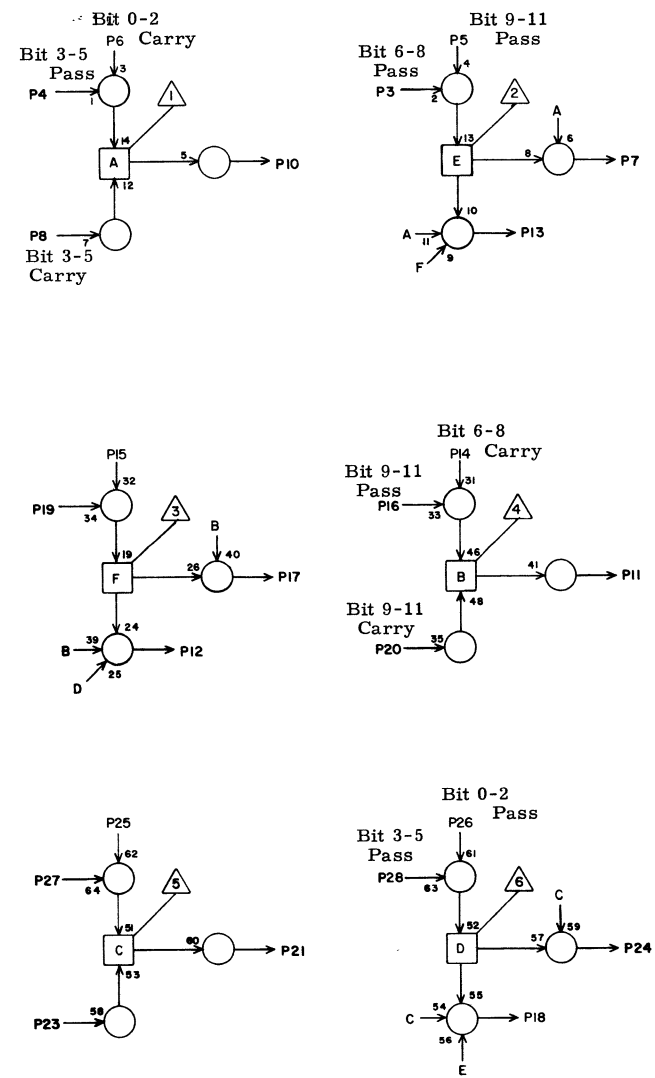


FD 2K35

1	J26	21	13
2			
3			
4			
5	O29	19	21
6	P28	19	25
7	O28	19	21
8			
9	K32	10	7
10	P28	27	25
11	P27	12	25
12			
13	P26	12	25
14			
15	K33	20	5
16			
17	P30	12	23
18	K32	15	5
19	P29	12	23
20	K31	15	7
21	P28	12	23
22	J26	22	13
23	K31	27	7
24	P28	18	23
25			
26	P28	25	23
27	K33	23	5
28			

JACK PIN LG

DIVIDE EXP. $X_j - X_k$

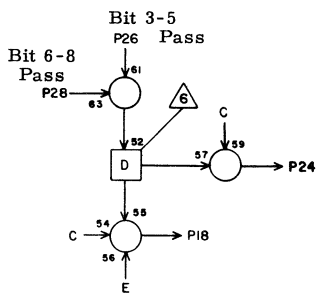
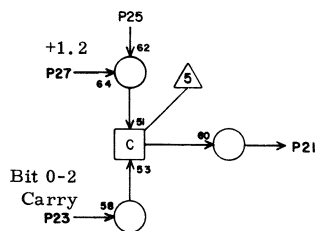
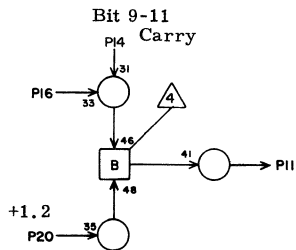
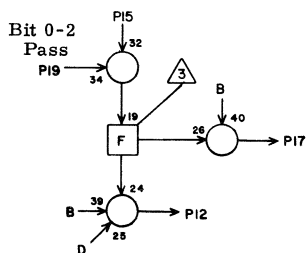
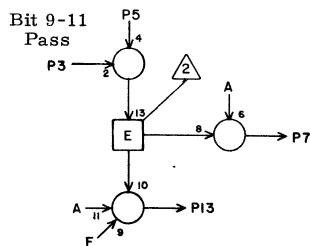
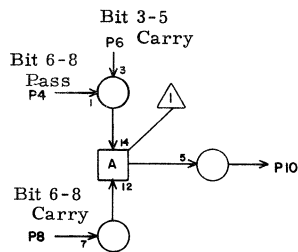


QC 2K36

1			
2			
3	I30	22	13
4	I29	20	13
5	I31	22	13
6	I28	16	15
7			
8	I29	14	13
9			
10	I30	27	15
11			
12	I30	21	13
13	I28	21	15
14	I30	14	13
15			
16	I31	20	13
17	I28	25	15
18			
19		Grd	2
20	I31	14	13
21			
22			
23			
24			
25			
26	I28	22	15
27		Grd	2
28	I29	22	15

JACK PIN LG

DIVIDE EXPONENT $X_j - X_k$



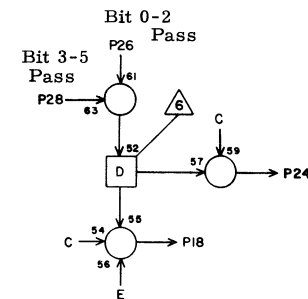
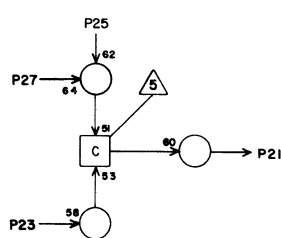
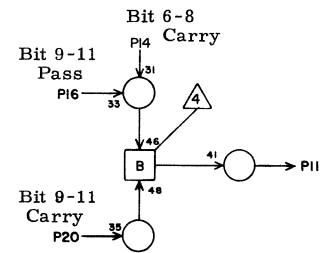
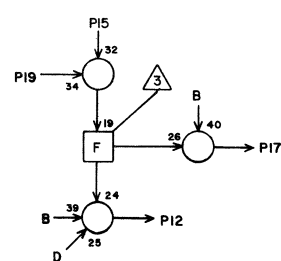
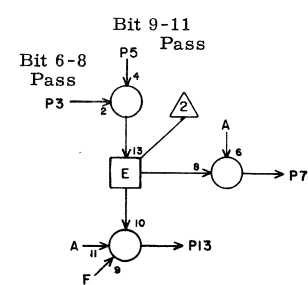
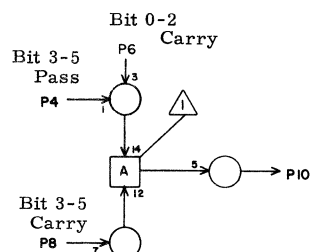
QC

2K37

1			
2			
3	I31	24	13
4	I30	20	13
5			
6	I29	16	15
7			
8	I30	16	13
9			
10	I31	27	13
11			
12	I31	21	13
13	I29	21	15
14	I31	16	13
15		Grd	2
16			
17	I29	25	13
18			
19	I28	24	15
20	G41	15	19
21	I29	27	15
22			
23	I28	14	17
24	I31	25	13
25		Grd	2
26	I29	24	18
27	G20	27	25
28	I30	24	15
	JACK	PIN	LG

MULT. 1 EXP.

$X_j \times X_k$

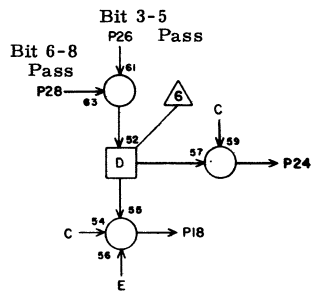
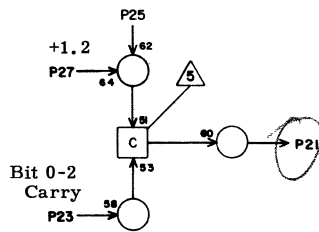
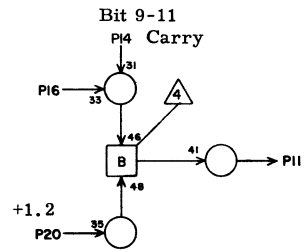
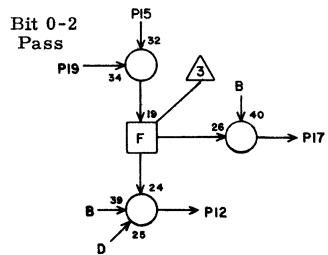
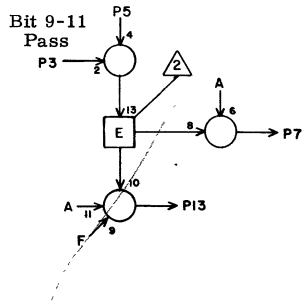
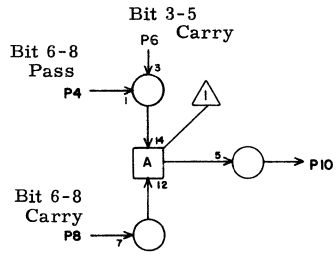


QC

2K38

1			
2			
3	I35	22	11
4	I34	20	11
5	I36	22	11
6	I33	16	13
7			
8	I34	14	13
9			
10	I35	27	11
11			
12	I35	21	11
13	I33	21	13
14	I35	14	13
15			
16	I36	20	13
17	I33	25	13
18			
19		Grd	2
20	I36	14	13
21			
22			
23			
24			
25			
26	I33	22	13
27		Grd	2
28	I34	22	13
	JACK	PIN	LG

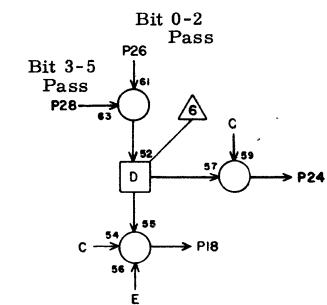
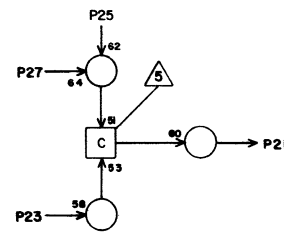
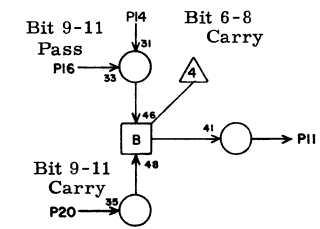
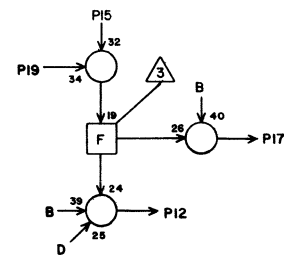
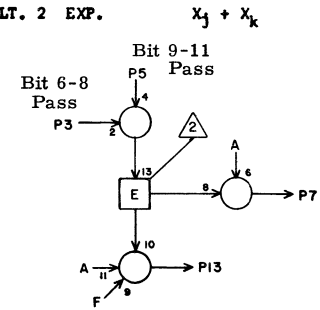
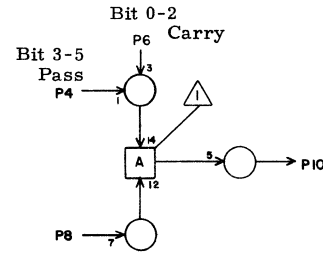
MULTIPLY 1, EXPONENT $X_j + X_k$



QC 2K39

1			
2			
3	I36	24	11
4	I35	20	11
5			
6	I34	16	13
7			
8	I35	16	13
9			
10	I36	27	11
11			
12	I36	21	11
13	I34	21	13
14	I36	16	13
15		Grd	2
16			
17	I34	25	13
18			
19	I33	24	11
20	G41	13	19
21	I34	27	13
22			
23	I33	14	15
24	I36	25	13
25		Grd	2
26	I34	24	13
27	G20	22	27
28	I35	24	13
	JACK	PIN	LG

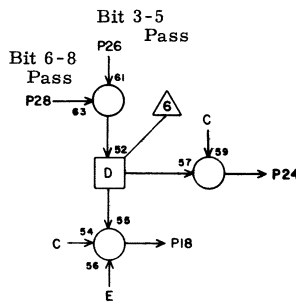
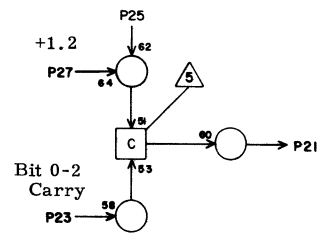
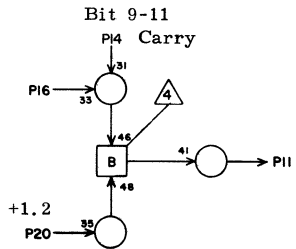
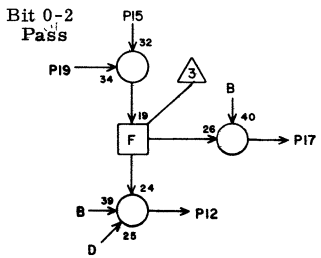
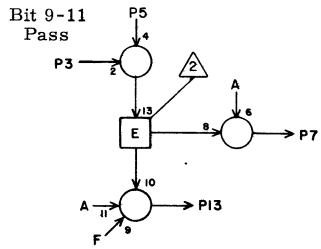
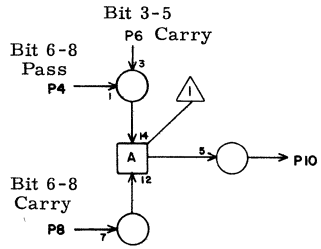
MULT. 2 EXP. $X_j + X_k$



QC 2K40

1			
2			
3	I40	22	11
4	I39	20	11
5	I41	22	11
6	I38	16	11
7			
8	I39	14	11
9			
10	I40	27	11
11			
12	I40	21	11
13	I38	21	11
14	I40	14	13
15			
16	I41	20	11
17	I38	25	11
18			
19		Grd	2
20	I41	14	13
21			
22			
23			
24			
25			
26	I38	22	13
27		Grd	2
28	I39	22	13
	JACK	PIN	LG

MULTIPLY 2, EXPONENT $X_j + X_k$

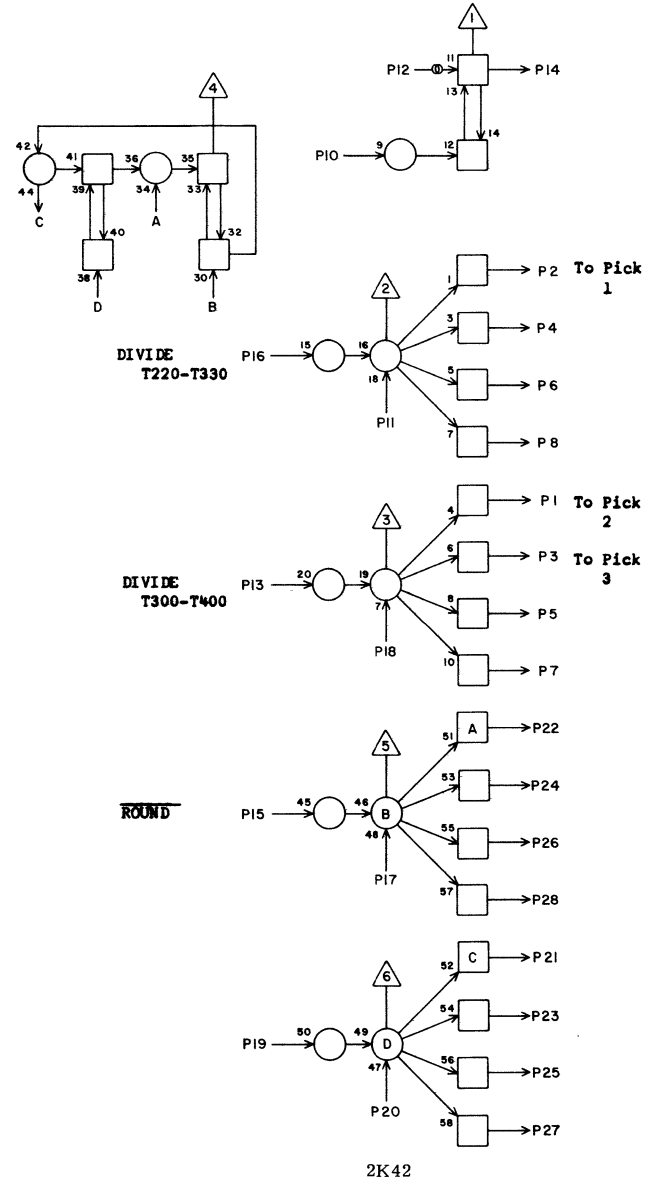


QC 2K41

1			
2			
3	I41	24	11
4	I40	20	11
5			
6	I39	16	11
7			
8	I40	16	11
9			
10	I41	27	11
11			
12	I41	21	11
13	I39	21	11
14	I41	16	13
15		Grd	2
16			
17	I39	25	11
18			
19	I39	24	13
20	G41	18	19
21	I39	27	11
22			
23	I39	14	13
24	I41	25	11
25		Grd	2
26	I39	24	13
27	G20	28	27
28	I40	24	13
	JACK	PIN	LG

63019700 Rev.H

HQ 2K42

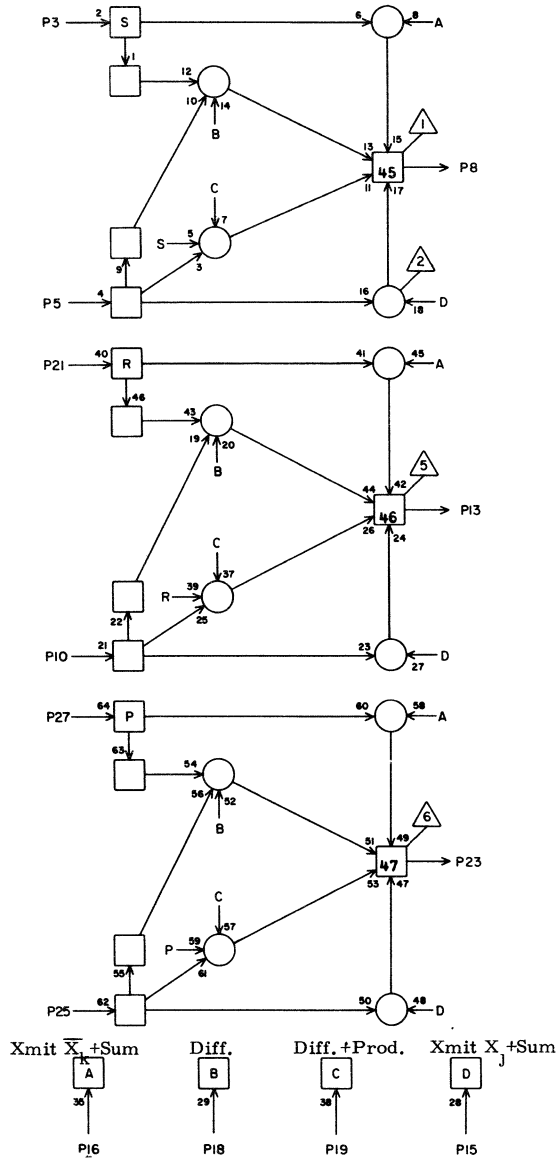


2K42

1	K17	16	25
2	J23	1	21
3	K16	16	27
4	K42	18	5
5			
6	K42	17	49
7			
8			
9			
10			
11	J25	6	19
12			
13	O07	26	39
14			
15	J02	4	35
16	G15	11	31
17	K42	6	49
18	K42	4	5
19	K42	22	96
20		Grd	2
21	M12	3	31
22	K42	19	96
23	M20	3	25
24			
25	M28	3	17
26			
27			
28			
	JACK	PIN	LG

63019700 Rev. AB

BOOLEAN NETWORK



GB

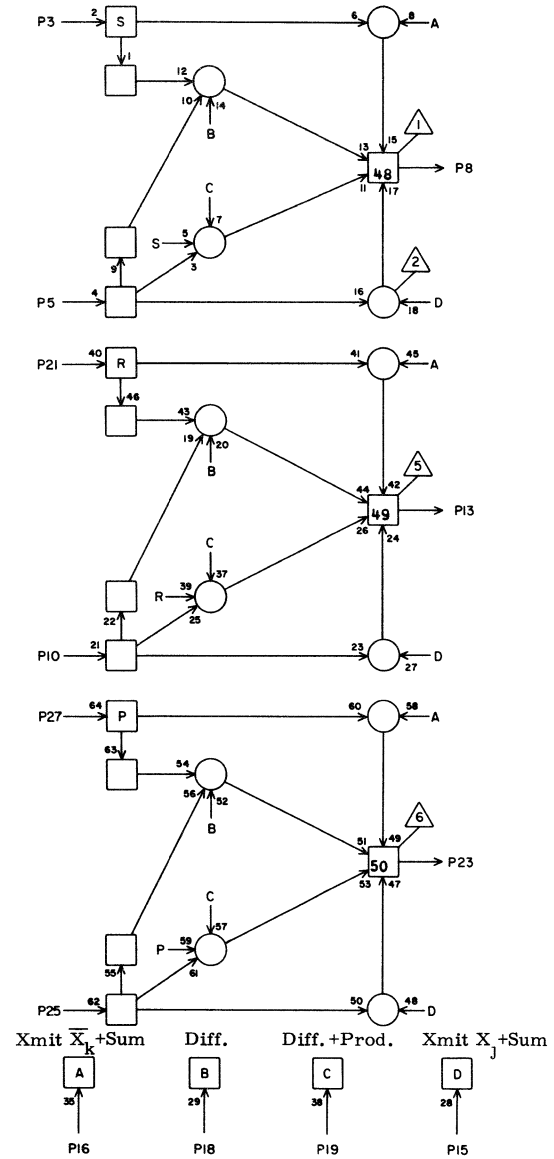
2L01

1			
2			
3	M07	21	13
4			
5	L07	21	9
6			
7			
8	M03	22	9
9			
10	L07	19	9
11			
12			
13	M03	16	9
14			
15	004	1	15
16	001	1	15
17			
18	002	1	15
19	003	1	15
20			
21	M07	19	11
22			
23	M03	26	9
24			
25	L07	17	9
26			
27	M07	17	11
28			

JACK PIN LG

63019700 Rev. H

BOOLEAN NETWORK



GB

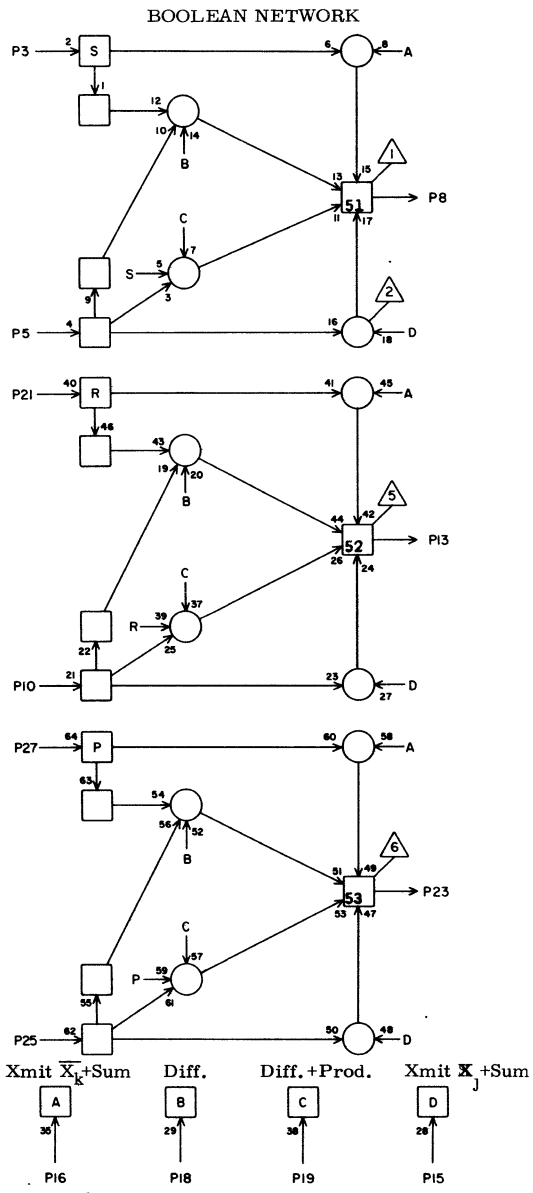
2L02

1			
2			
3	M08	25	13
4			
5	L08	25	9
6			
7			
8	M04	4	9
9			
10	L08	21	11
11			
12			
13	M04	6	7
14			
15	004	2	13
16	001	2	13
17			
18	002	2	13
19	003	2	13
20			
21	M08	21	11
22			
23	M04	12	7
24			
25	L08	19	11
26			
27	M08	19	11
28			

JACK PIN LG

63019700 Rev. H

2L02

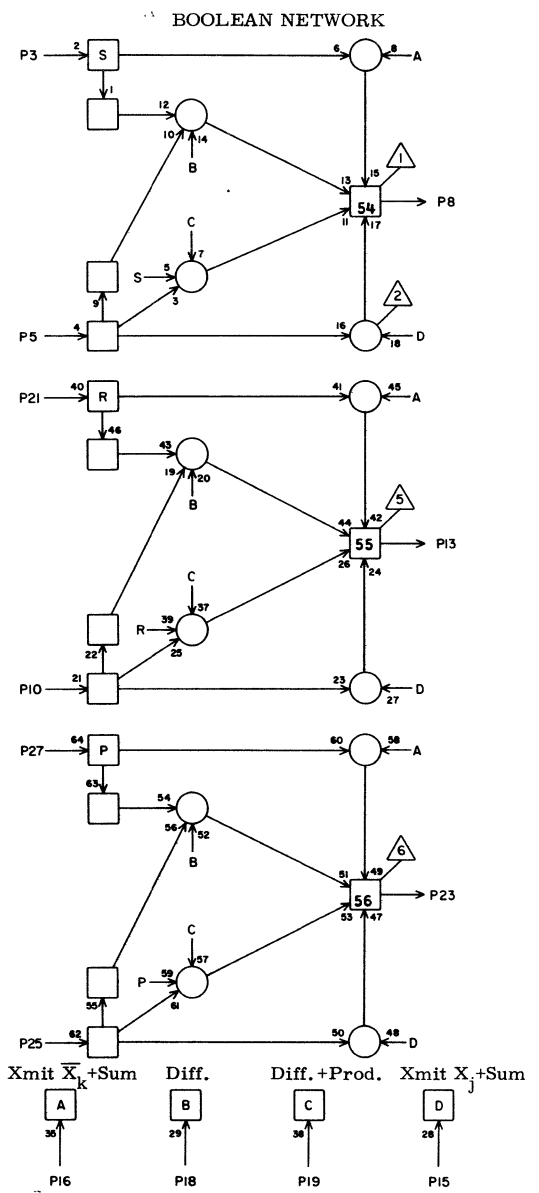


GB **2L03**

1			
2			
3	M08	17	11
4			
5	L08	17	7
6			
7			
8	M04	22	7
9			
10	L09	25	11
11			
12			
13	M04	16	7
14			
15	O04	3	13
16	O01	3	13
17			
18	O02	3	13
19	O03	3	13
20			
21	M09	25	11
22			
23	M04	26	9
24			
25	L09	21	11
26			
27	M09	21	11
28			

JACK PIN LG

63019700 Rev. H

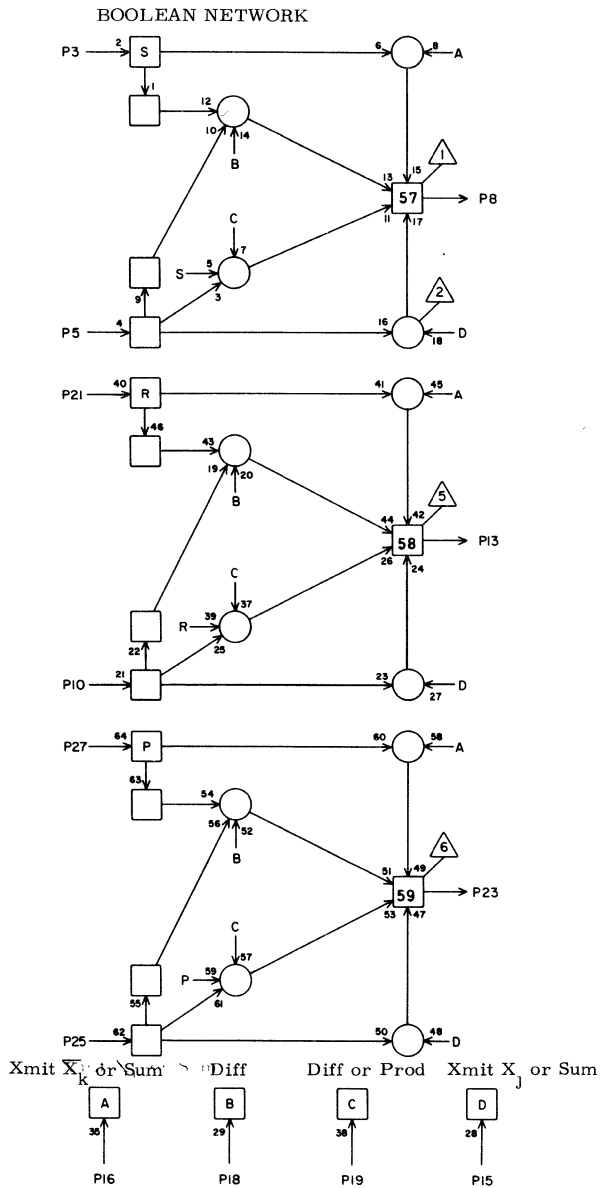


GB **2L04**

1			
2			
3	M09	19	11
4			
5	L09	19	9
6			
7			
8	M05	4	7
9			
10	L09	17	9
11			
12			
13	M05	6	7
14			
15	O04	4	13
16	O01	4	13
17			
18	O02	4	13
19	O03	4	13
20			
21	M09	17	11
22			
23	M05	12	5
24			
25	L10	25	11
26			
27	M10	25	11
28			

JACK PIN LG

63019700 Rev. H

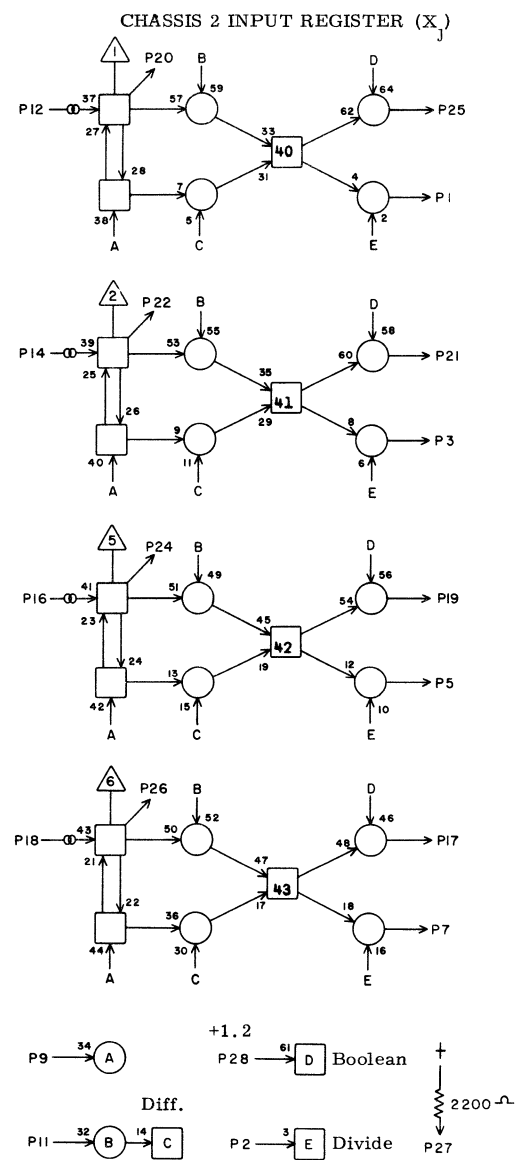


GB 2L05

1			
2			
3	M10	21	11
4			
5	L10	21	7
6			
7			
8	M05	22	7
9			
10	L10	19	7
11			
12			
13	M05	16	9
14			
15	004	5	15
16	001	5	15
17			
18	002	5	15
19	003	5	15
20			
21	M10	19	11
22			
23	M05	26	7
24			
25	L10	17	7
26			
27	M10	17	11
28			

JACK PIN LG

63019700 Rev. H



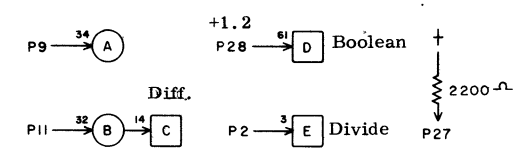
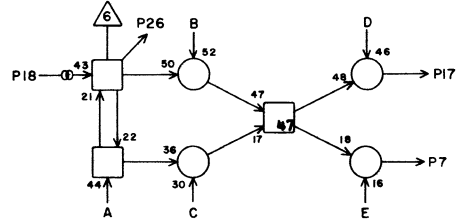
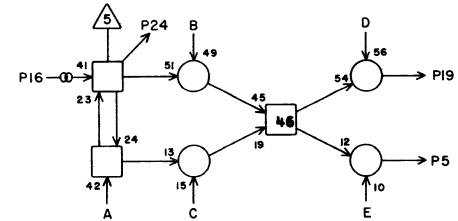
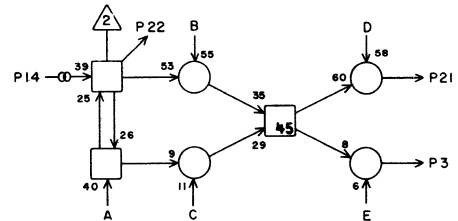
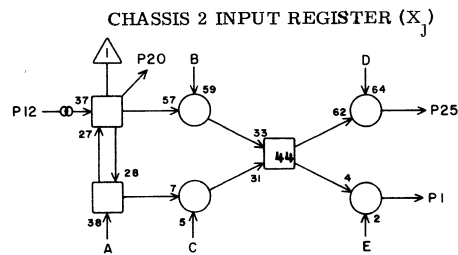
2L06

GA 2L06

1	039	9	37
2	008	1	13
3	039	2	33
4			
5	039	12	33
6			
7	039	27	35
8			
9	005	22	17
10			
11	006	1	15
12	W31	907	
13			
14	W32	90	
15			
16	W32	91	
17	M05	10	11
18	W32	92	
19	M05	5	11
20			
21	M04	25	13
22			
23			
24			
25	M04	10	11
26			
27	M15	24	13
28	007	1	15

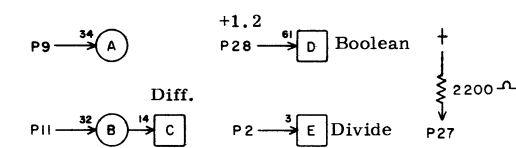
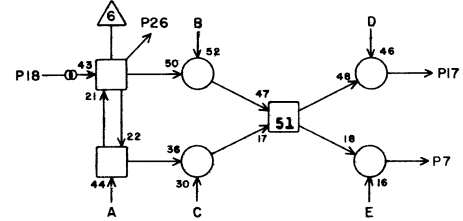
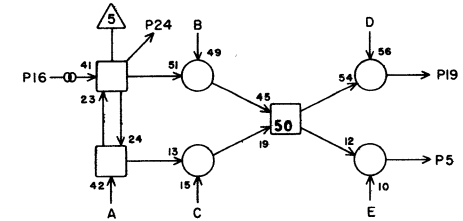
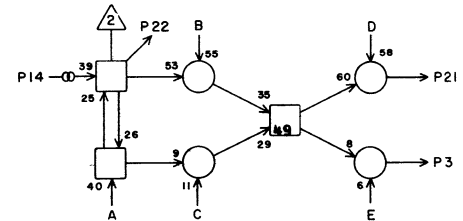
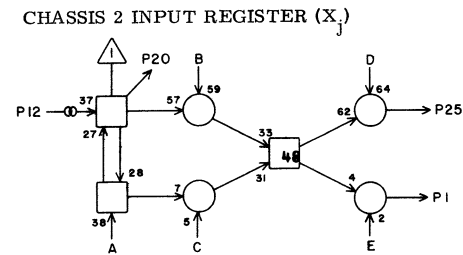
JACK PIN LG

63019700 Rev. H



	GA 2L07		
1	039	20	33
2	008	2	15
3	040	9	33
4			
5	040	2	33
6			
7	040	12	33
8			
9	005	21	15
10			
11	006	2	15
12	W32	93	
13			
14	W32	94	
15			
16	W32	95	
17	L01	25	9
18	W32	96	
19	L01	10	9
20			
21	L01	5	9
22			
23			
24			
25	W05	25	13
26			
27	L11	11	7
28	007	2	13
	JACK	PIN	LG

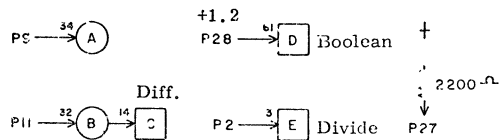
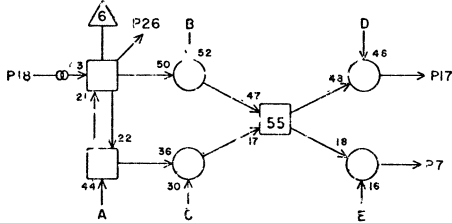
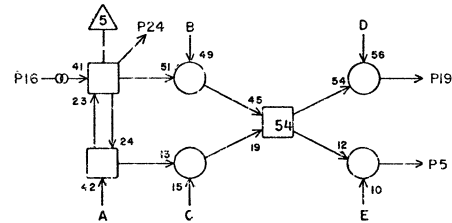
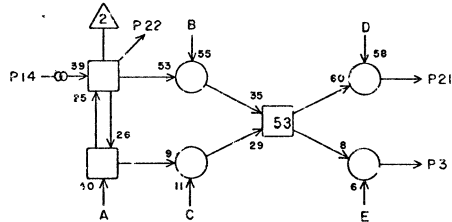
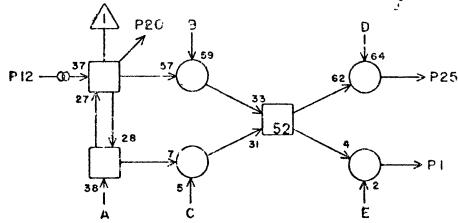
63019700 Rev. H



	GA 2L08		
1	E37	9	37
2	I12	25	15
3	E37	19	39
4			
5	E38	9	39
6			
7	E38	19	39
8			
9	005	3	15
10			
11	006	3	15
12	W23	90	
13			
14	W23	91	
15			
16	W23	92	
17	L03	5	7
18	W23	93	
19	L00	25	11
20	E06	28	120
21	L02	10	11
22	E06	25	120
23			
24	E06	1	120
25	L02	5	9
26	E06	4	120
27	L11	28	5
28	007	3	13
	JACK	PIN	LG

63019700 Rev. H

CHASSIS 2 INPUT REGISTER (X_j)

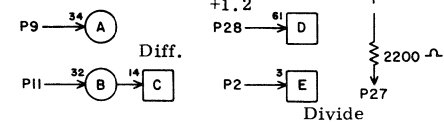
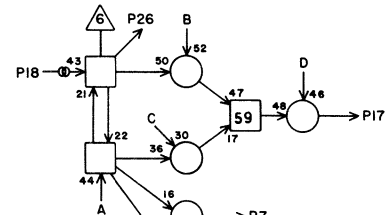
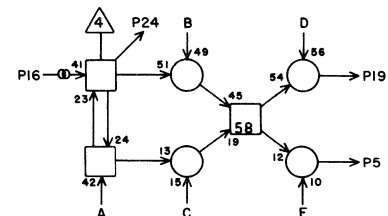
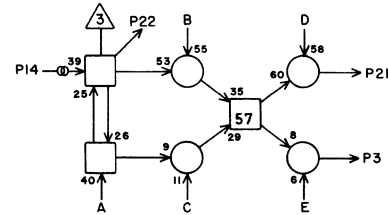
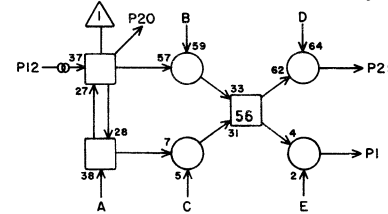


GA 2L09

1	E39	9	39
2	I12	23	15
3	E39	19	39
4			
5	E40	9	41
6			
7	E40	19	39
8			
9	O05	4	15
10			
11	O06	4	15
12	W23	94	
13			
14	W23	95	
15			
16	W23	96	
17	L04	10	9
18	W23	97	
19	L04	5	9
20	E06	10	120
21	L03	25	11
22	E06	22	120
23			
24	E97	28	120
25	L03	10	11
26	E07	25	120
27	K15	26	11
28	O07	4	15
	JACK	PIN	LG

63019700 Rev. H

CHASSIS 2 INPUT REGISTER (X_j)

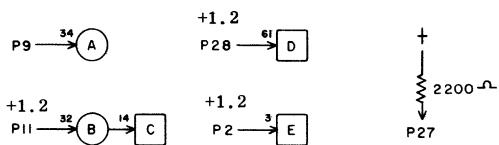
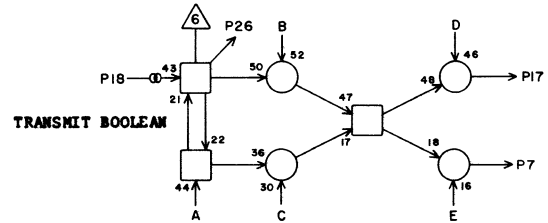
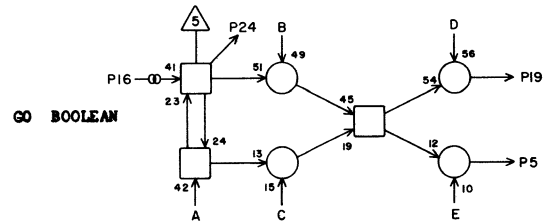
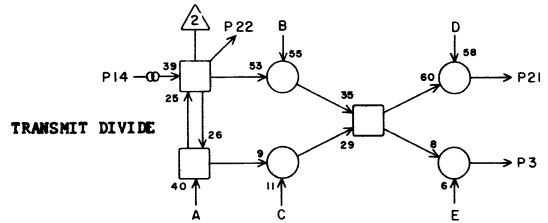
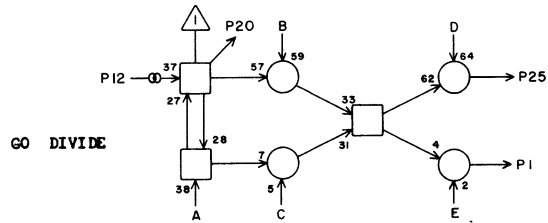


2L10

KU 2L10

1	E41	9	39
2	I12	26	15
3	E41	19	39
4			
5	A31	26	43
6			
7	E07	19	27
8			
9	O05	5	15
10	E06	19	27
11	O06	5	15
12	W23	98	
13			
14	W23	99	
15			
16	W23	900	
17	L05	25	7
18	W23	901	
19	L05	10	7
20	E07	1	120
21	L05	5	7
22	E07	4	120
23			
24	E07	10	120
25	L04	25	11
26	H27	15	25
27			
28	O07	5	13
	JACK	PIN	LG

63019700 Rev. H

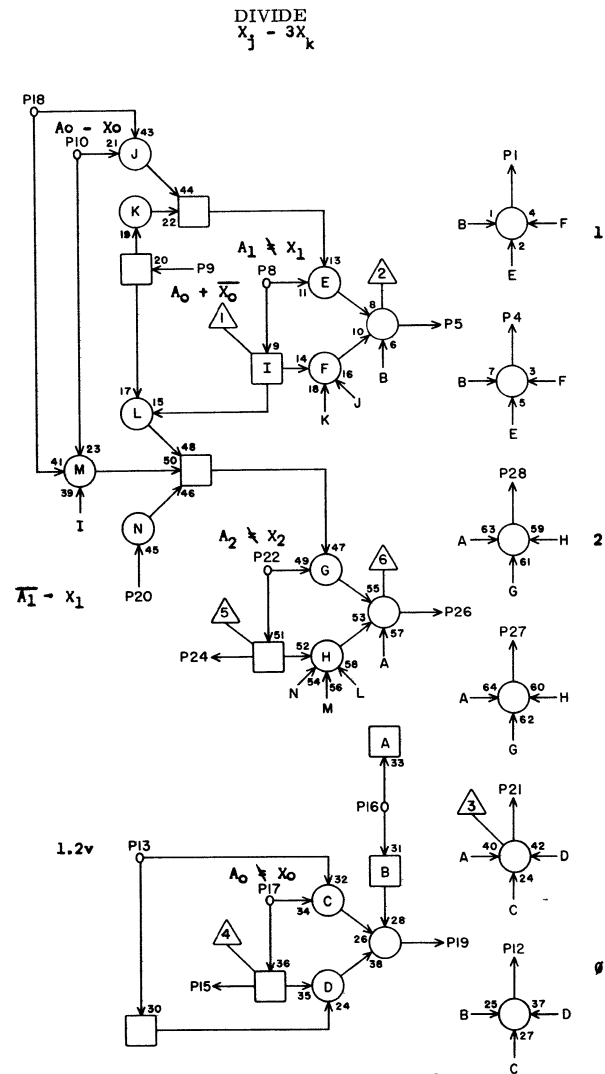


GA 2L11

1	G19	22	23
2	L11	27	5
3	M11	3	11
4			
5			
6			
7	G19	2	23
8			
9	I23	9	19
10			
11	L07	27	7
12	W21	903	
13			
14	W21	900	
15			
16	W21	902	
17	G17	26	23
18	W21	99	
19	G10	14	15
20	R27	5	37
21	G16	22	23
22	J23	2	17
23			
24	R27	8	39
25	M27	10	25
26	G11	3	15
27	L11	2	5
28	L08	27	5

JACK PIN LG

63019700 Rev. H



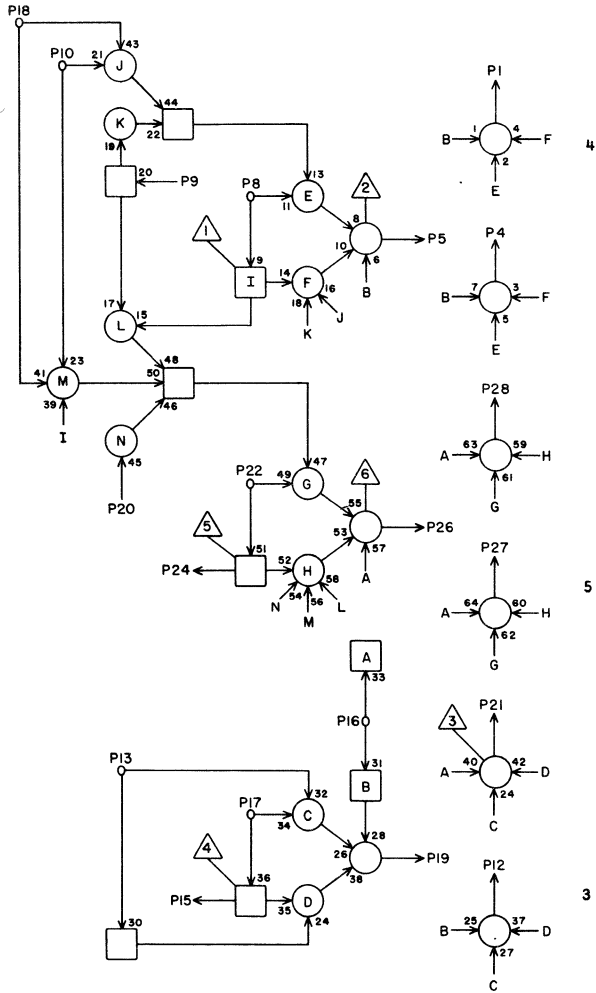
GD 2L12

1	M29	5	19
2			
3			
4	M21	5	13
5	M13	5	7
6			
7			
8	R42	25	39
9	M12	8	7
10	R42	23	39
11			
12	M20	27	13
13	P16	23	21
14			
15			
16	K16	1	11
17	R42	21	39
18	P16	24	19
19	M12	27	7
20	M12	17	7
21	M28	27	19
22	R42	28	39
23			
24			
25			
26	M13	22	7
27	M21	22	13
28	M29	22	19

JACK PIN LG

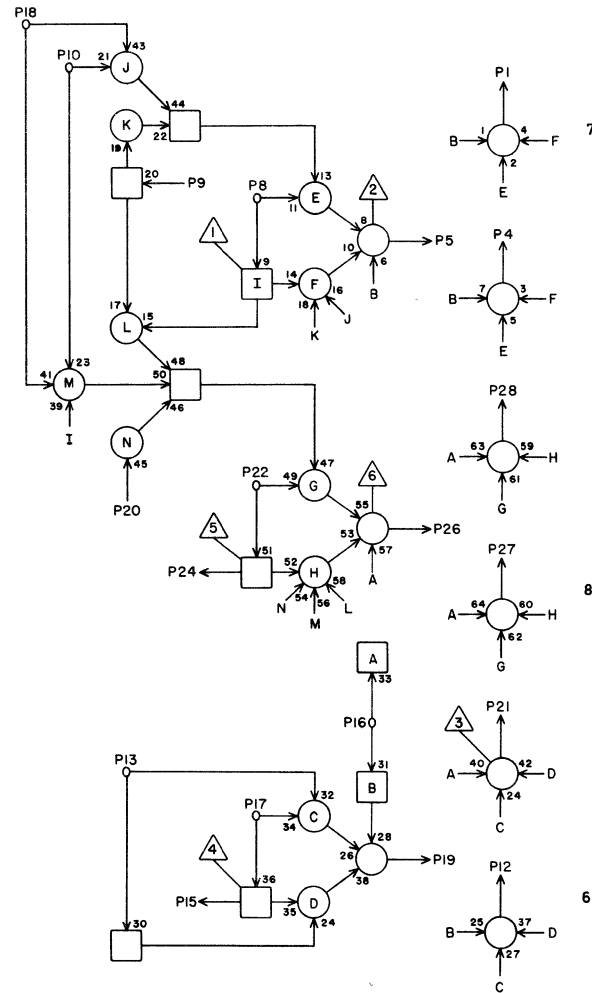
63019700 Rev. H

DIVIDE
 $X_j - 3X_k$



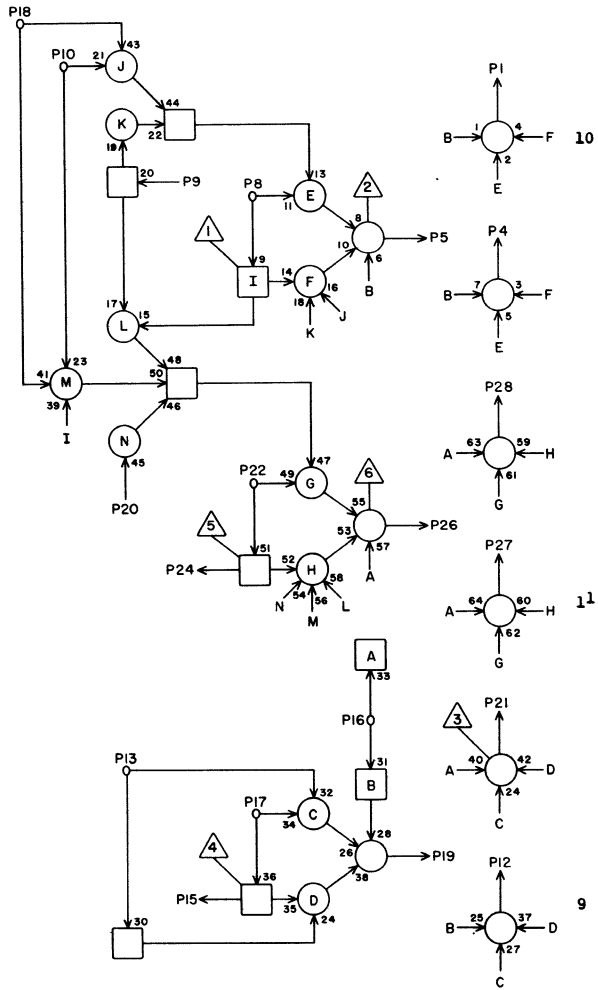
GD		2L13	
1	M30	5	19
2			
3			
4	M22	5	13
5	M14	5	7
6			
7			
8	R33	6	33
9	M13	8	7
10	R33	4	33
11			
12	M21	27	13
13	P16	21	19
14			
15			
16	K16	2	9
17	R33	1	33
18	P16	22	19
19	M13	27	9
20	M13	17	7
21	M29	27	19
22	R33	8	33
23			
24			
25			
26	M14	22	7
27	M22	22	13
28	M30	22	19
	JACK	PIN	LG

DIVIDE
 $X_j - 3X_k$



GD		2L14	
1	M31	5	19
2			
3			
4	M23	5	13
5	M15	5	7
6			
7			
8	R33	14	31
9	M14	8	7
10	R33	12	31
11			
12	M22	27	13
13	P16	17	19
14			
15			
16	K16	3	9
17	R33	10	31
18	P16	20	19
19	M14	27	7
20	M14	17	7
21	M30	27	19
22	R33	15	31
23			
24			
25			
26	M15	22	7
27	M23	22	13
28	M31	22	19
	JACK	PIN	LG

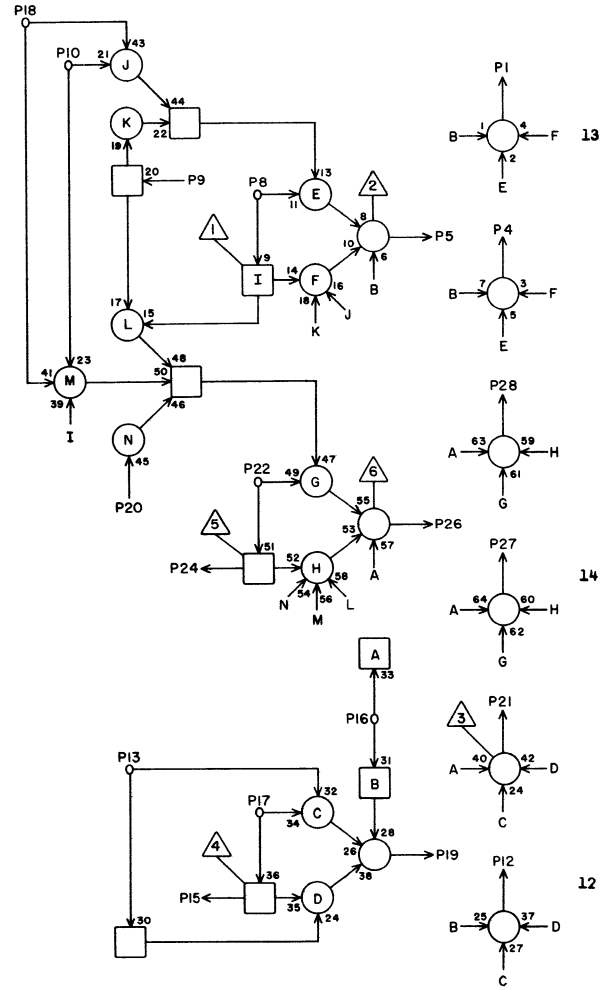
DIVIDE
 $X_j - 3X_k$



GD 2L15			
JACK	PIN	LG	
1	M32	5	19
2			
3			
4	M24	5	13
5	M16	8	7
6			
7			
8	R33	21	31
9	M15	8	7
10	R33	19	31
11			
12	M23	27	13
13	P17	26	21
14			
15			
16	K16	4	9
17	R33	17	31
18	P17	26	21
19	M15	27	7
20	M15	17	7
21	M31	27	19
22	R33	23	31
23			
24			
25			
26	M16	22	7
27	M24	22	13
28	M32	22	19

63019700 Rev. H

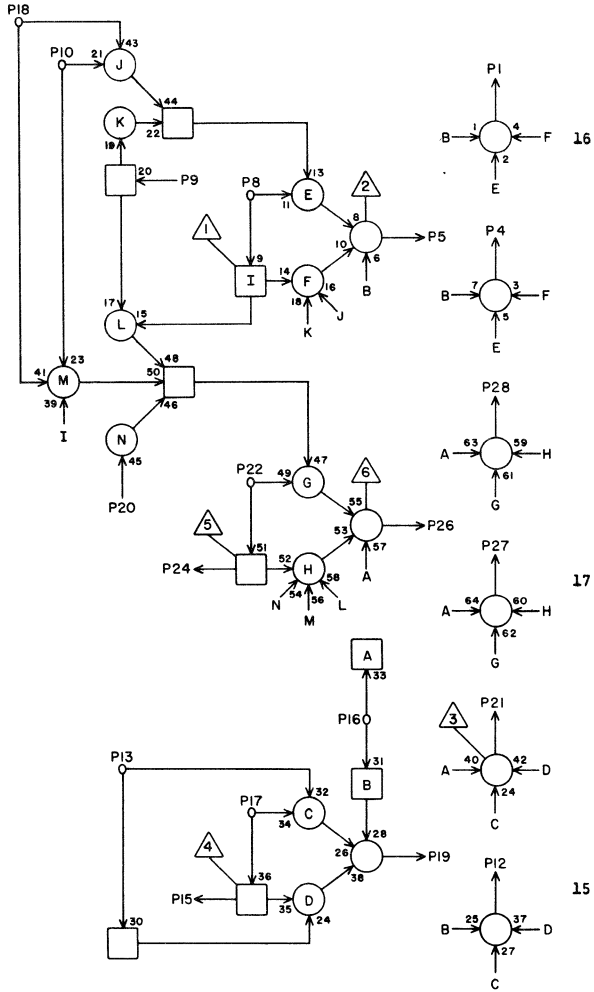
DIVIDE
 $X_j - 3X_k$



GD 2L16			
JACK	PIN	LG	
1	M33	5	19
2			
3			
4	M25	5	13
5	M17	5	7
6			
7			
8	R34	1	31
9	M16	8	7
10	R33	28	31
11			
12	M24	27	15
13	P17	23	19
14			
15			
16	K16	5	9
17	R33	25	31
18	P17	24	19
19	M16	27	9
20	M16	17	7
21	M32	27	19
22	R34	4	31
23			
24			
25			
26	M17	22	7
27	M25	22	13
28	M33	22	19

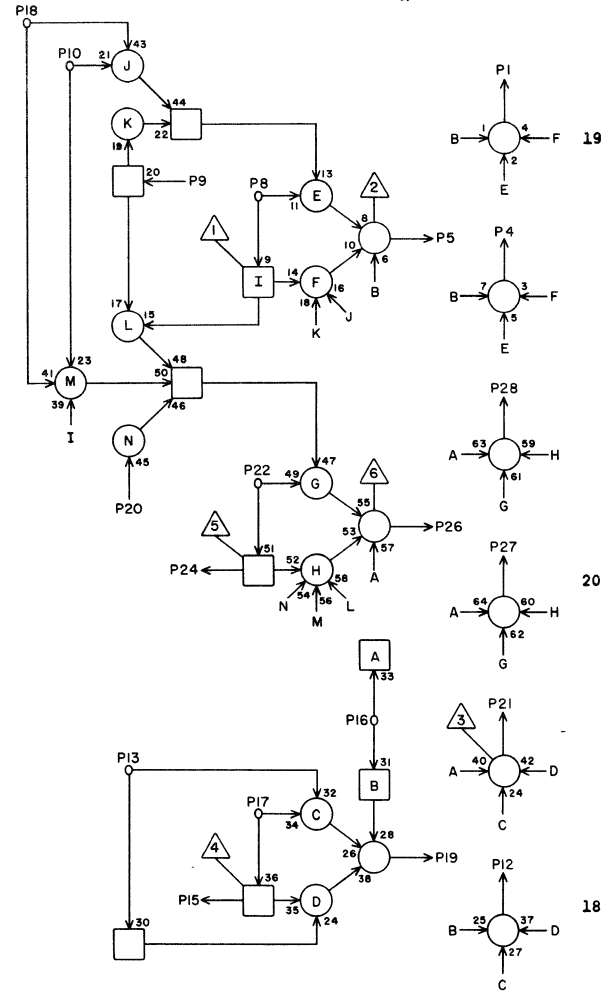
63019700 Rev. H

DIVIDE
 $X_j - 3X_k$



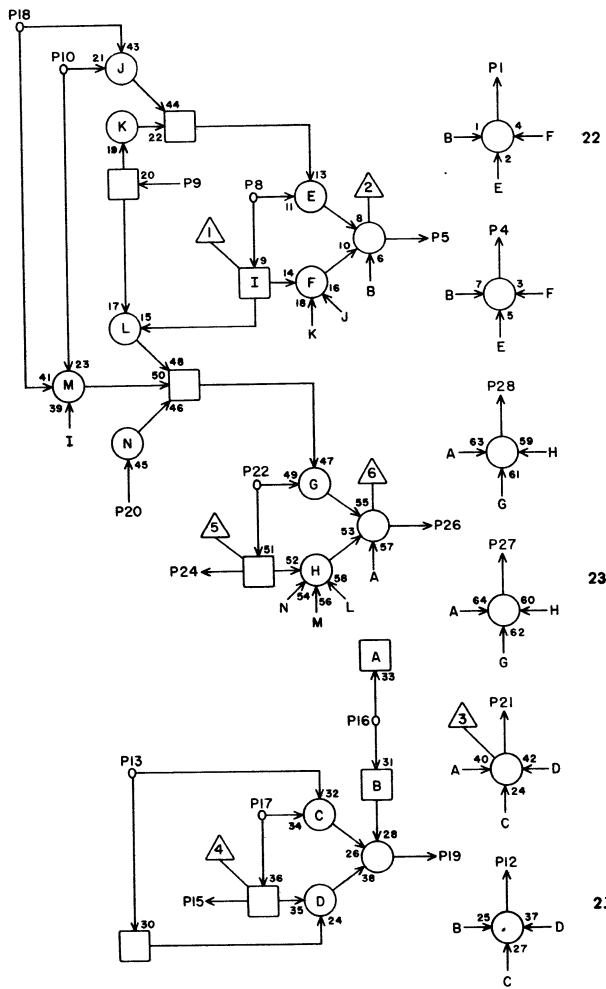
GD			
2L17			
1	M34	5	19
2			
3			
4	M26	5	13
5	M18	5	7
6			
7			
8	R34	10	31
9	M17	8	7
10	R34	8	31
11			
12	M25	27	13
13	P17	21	19
14			
15			
16	K16	6	9
17	R34	6	31
18	P17	22	19
19	M17	27	7
20	M17	17	7
21	M33	27	19
22	R34	12	31
23			
24			
25			
26	M18	22	7
27	M26	22	13
28	M34	22	19
	JACK	PIN	LG

DIVIDE
 $X_j - 3X_k$



GD			
2L18			
1	M35	5	19
2			
3			
4	M27	5	13
5	M19	5	9
6			
7			
8	R34	17	31
9	M18	8	7
10	R34	15	31
11			
12	M26	27	13
13	P17	17	19
14			
15			
16	K16	7	9
17	R34	14	31
18	P17	20	19
19	M18	27	9
20	M18	17	7
21	M34	27	19
22	R34	19	31
23			
24			
25			
26	M19	22	7
27	M27	22	13
28	M35	22	19
	JACK	PIN	LG

DIVIDE
 $X_j = 3X_k$

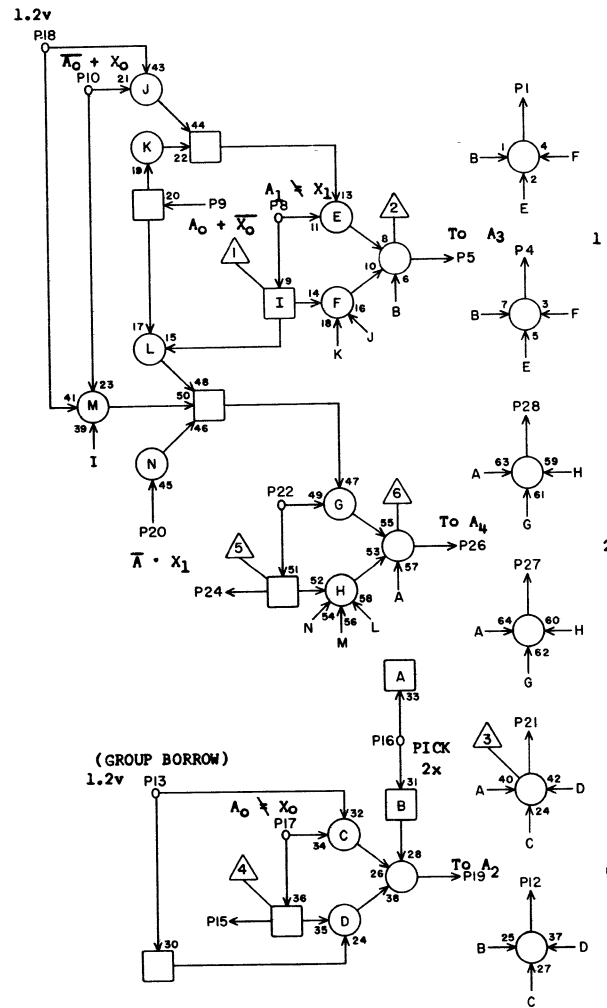


GD **2119**

1	Q28	5	19
2			
3			
4	Q80	5	17
5	Q12	5	17
6			
7			
8	R34	25	33
9	M19	8	7
10	R34	23	33
11			
12	M27	27	13
13	P18	26	21
14			
15			
16	K16	8	9
17	R34	21	33
18	P18	28	21
19	M19	27	7
20	M19	17	7
21	M35	27	19
22	R34	28	33
23			
24			
25			
26	Q12	22	17
27	Q29	22	17
28	Q28	22	17

JACK PIN LG

DIVIDE
 $X_j = 2X_k$

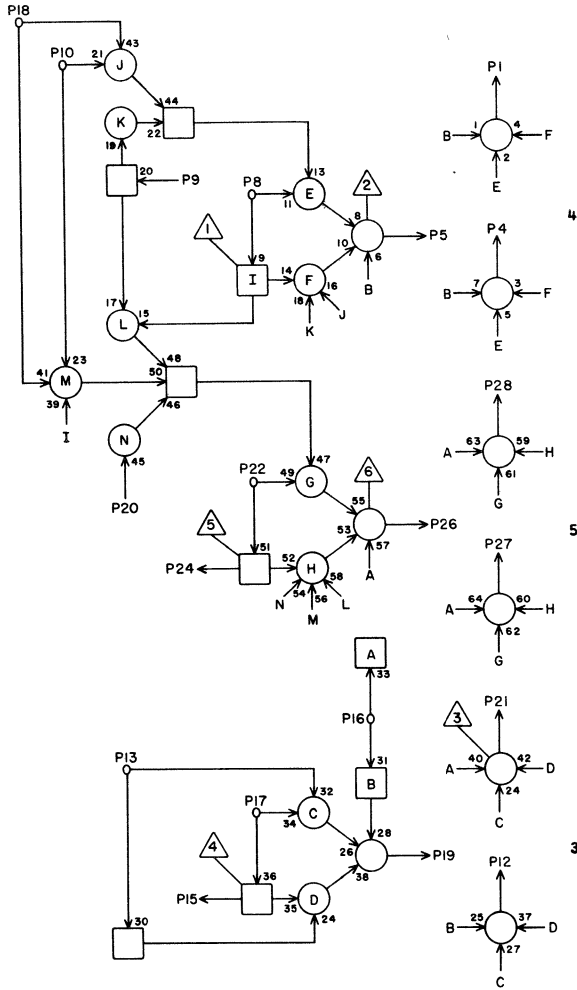


GD **2120**

1	M29	4	13
2			
3			
4	M21	4	7
5	M13	4	11
6			
7			
8	R38	1	31
9	M20	8	7
10	Q42	28	33
11			
12	M20	26	7
13	P21	23	19
14			
15			
16	K17	1	9
17	Q42	25	33
18	P21	24	19
19	M12	26	11
20	M20	17	7
21	M28	26	13
22	R38	4	31
23			
24			
25			
26	M13	20	11
27	M21	20	9
28	M29	20	11

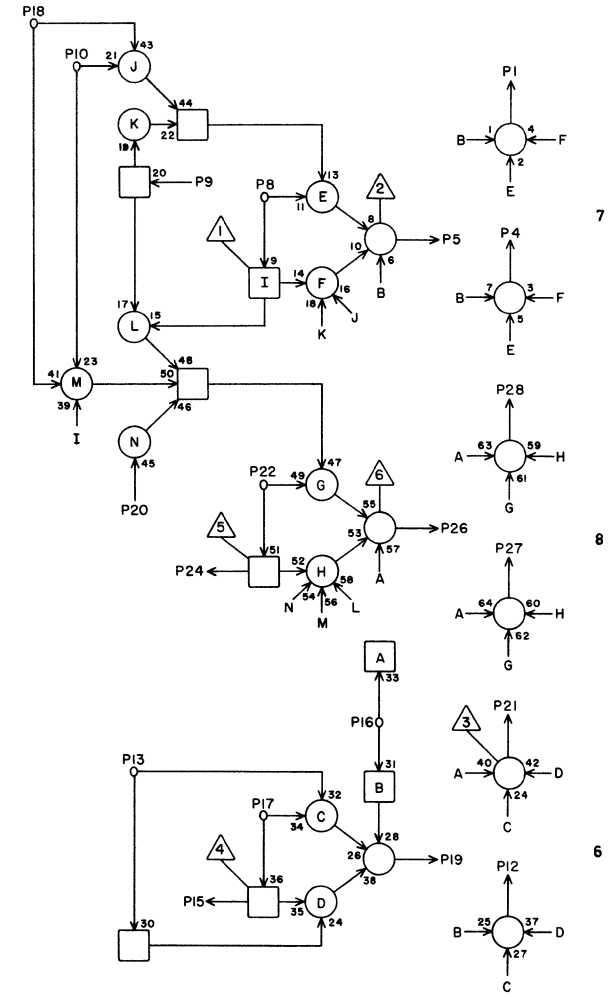
JACK PIN LG

DIVIDE
 $x_j - 2x_k$

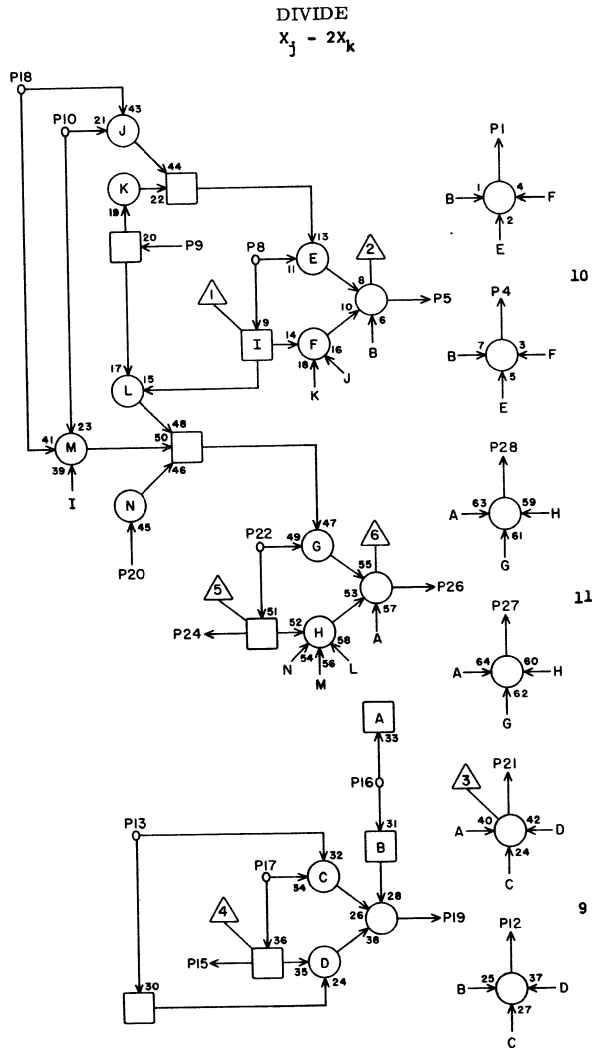


GD		2L21	
JACK	PIN	LG	
1	M30	4	13
2			
3			
4	M22	4	7
5	M14	4	13
6			
7			
8	R38	10	31
9	M21	8	7
10	R38	6	31
11			
12	M21	26	7
13	P21	21	19
14			
15			
16	K17	2	11
17	R38	8	31
18	P21	22	19
19	M13	26	13
20	M21	17	7
21	M29	26	13
22	R38	12	31
23			
24			
25			
26	M14	20	11
27	M22	20	7
28	M30	20	13

DIVIDE
 $x_j - 2x_k$



GD		2L22	
JACK	PIN	LG	
1	M31	4	11
2			
3			
4	M23	4	9
5	M15	4	11
6			
7			
8	R38	17	33
9	M22	8	7
10	R38	15	33
11			
12	M22	26	7
13	P21	17	19
14			
15			
16	K17	3	11
17	R38	14	33
18	P21	20	19
19	M14	26	11
20	M22	17	7
21	M30	26	11
22	R38	19	33
23			
24			
25			
26	M15	20	11
27	M23	20	9
28	M31	20	11

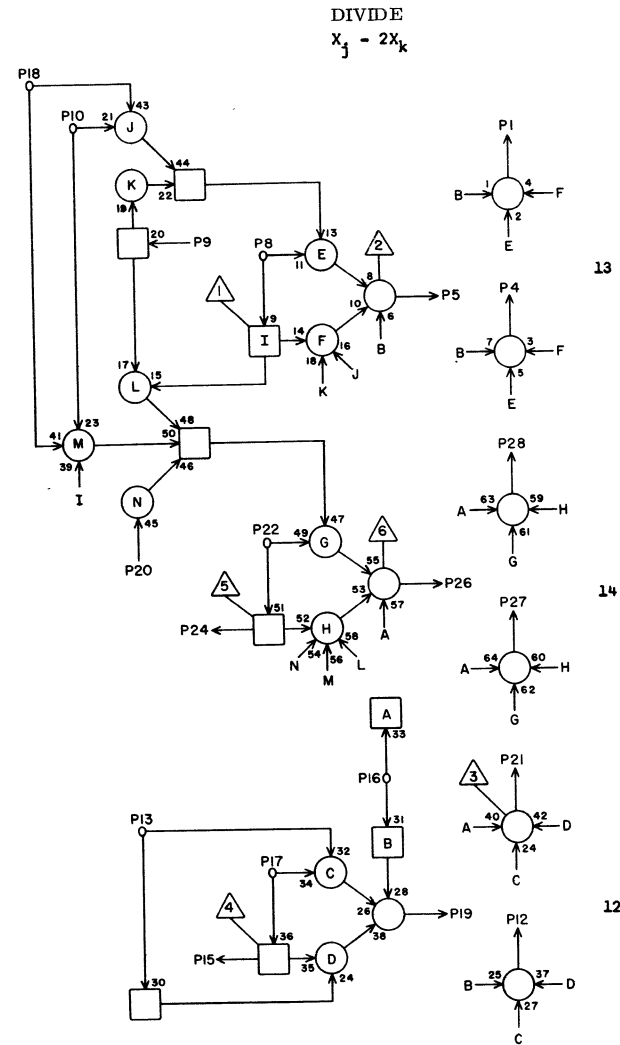


GD 2L23

1	M32	4	13
2			
3			
4	M24	4	7
5	M16	4	13
6			
7			
8	R38	25	33
9	M23	8	7
10	R38	23	33
11			
12	M23	26	7
13	P22	26	19
14			
15			
16	K17	4	11
17	R38	21	33
18	P22	28	19
19	M15	26	13
20	M23	17	7
21	M31	26	13
22	R38	28	33
23			
24			
25			
26	M16	20	11
27	M24	20	9
28	M22	20	13

JACK PIN LG

63019700 Rev. H



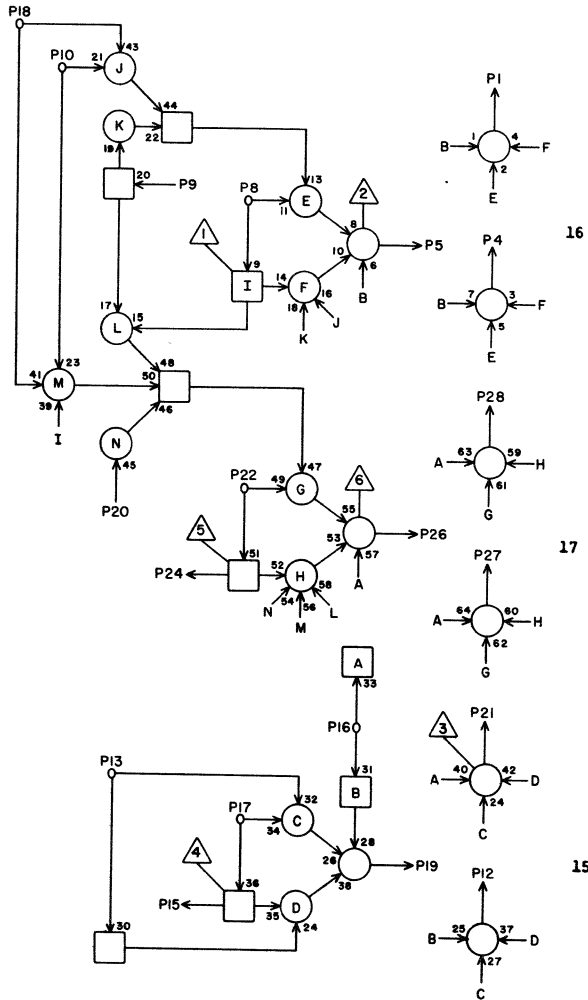
GD 2L24

1	M33	4	13
2			
3			
4	M25	4	9
5	M17	4	13
6			
7			
8	R39	6	31
9	M24	8	7
10	R39	4	31
11			
12	M24	26	9
13	P22	23	19
14			
15			
16	K17	5	11
17	R39	1	31
18	P22	24	19
19	M16	26	13
20	M24	17	7
21	M32	26	13
22	R39	8	31
23			
24			
25			
26	M17	20	11
27	M25	20	7
28	M33	20	13

JACK PIN LG

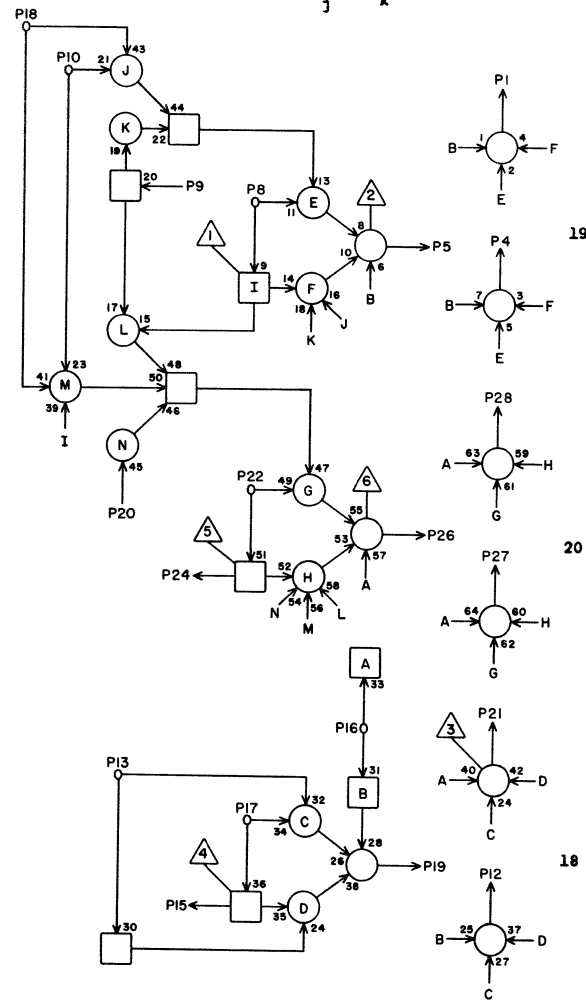
63019700 Rev. H

DIVIDE
 $X_j - 2X_k$



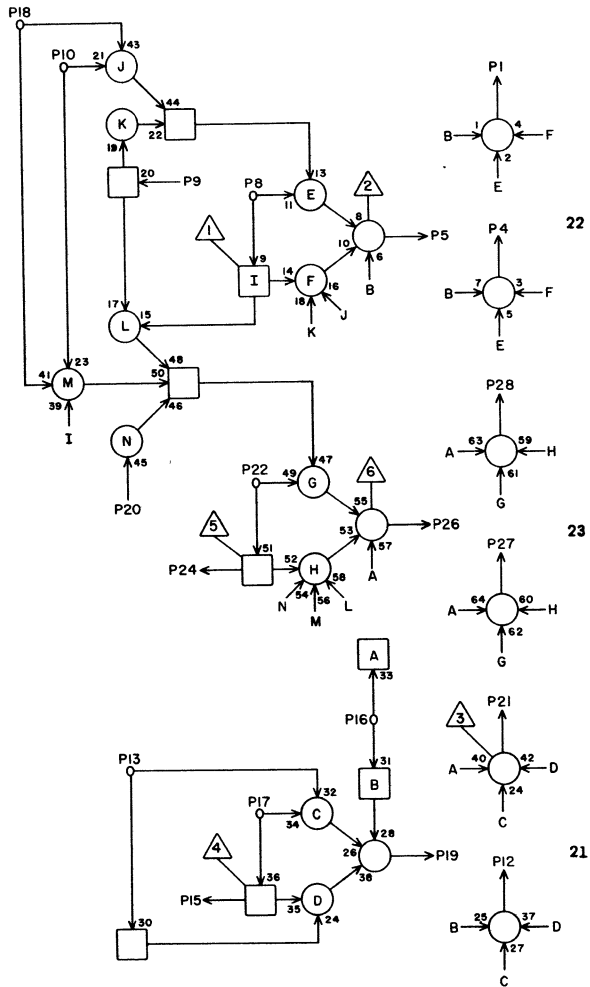
GD			
2L25			
JACK	PIN	LG	
1	M34	4	13
2			
3			
4	M26	4	7
5	M18	4	13
6			
7			
8	R39	14	31
9	M35	8	7
10	R39	12	31
11			
12	M25	26	9
13	P22	21	21
14			
15			
16	K17	6	13
17	R39	10	31
18	P22	22	19
19	M17	26	13
20	M25	17	7
21	M33	26	13
22	R39	15	31
23			
24			
25			
26	M18	20	11
27	M26	20	7
28	M34	20	13

DIVIDE
 $X_j - 2X_k$



GD			
2L26			
JACK	PIN	LG	
1	M35	4	13
2			
3			
4	M27	4	9
5	M18	4	13
6			
7			
8	R39	21	31
9	M26	8	7
10	R39	19	31
11			
12	M26	26	7
13	P22	17	19
14			
15			
16	K17	7	13
17	R39	17	31
18	P22	20	19
19	M18	26	13
20	M26	17	7
21	M34	26	13
22	R39	23	31
23			
24			
25			
26	M18	20	11
27	M27	20	9
28	M35	20	13

DIVIDE
 $X_j - 2X_k$



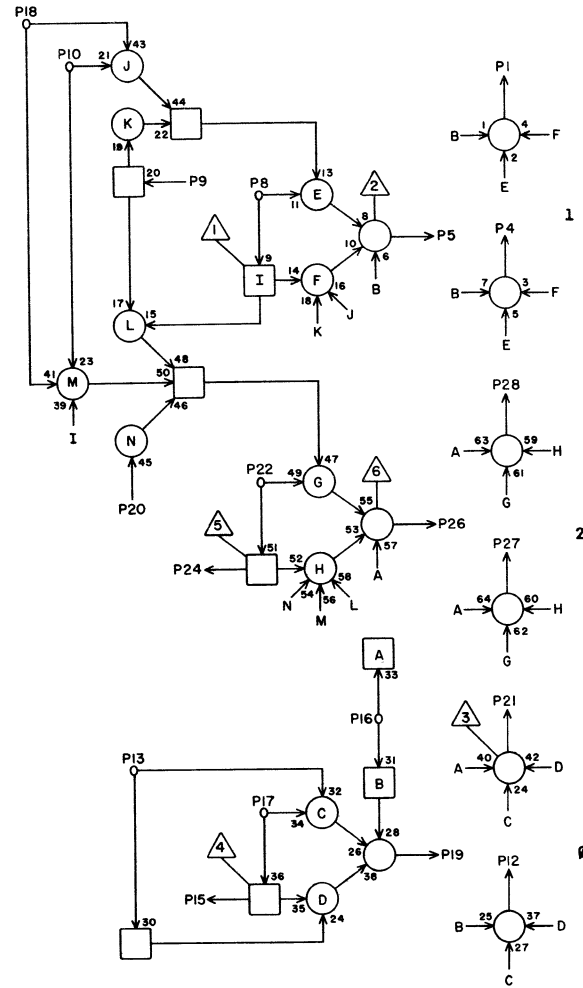
GD **2L27**

1	Q28	4	17
2			
3			
4	O20	4	17
5	O12	4	23
6			
7			
8	R40	1	31
9	M27	8	7
10	R39	28	31
11			
12	M27	26	7
13	P23	26	21
14			
15			
16	K17	8	13
17	R39	25	31
18	P23	28	19
19	M19	26	13
20	M27	17	9
21	M35	26	13
22	R40	4	29
23			
24			
25			
26	O12	20	21
27	O20	20	17
28	Q28	28	15

JACK PIN LG

63019700 Rev. H

DIVIDE
 $X_j - X_k$

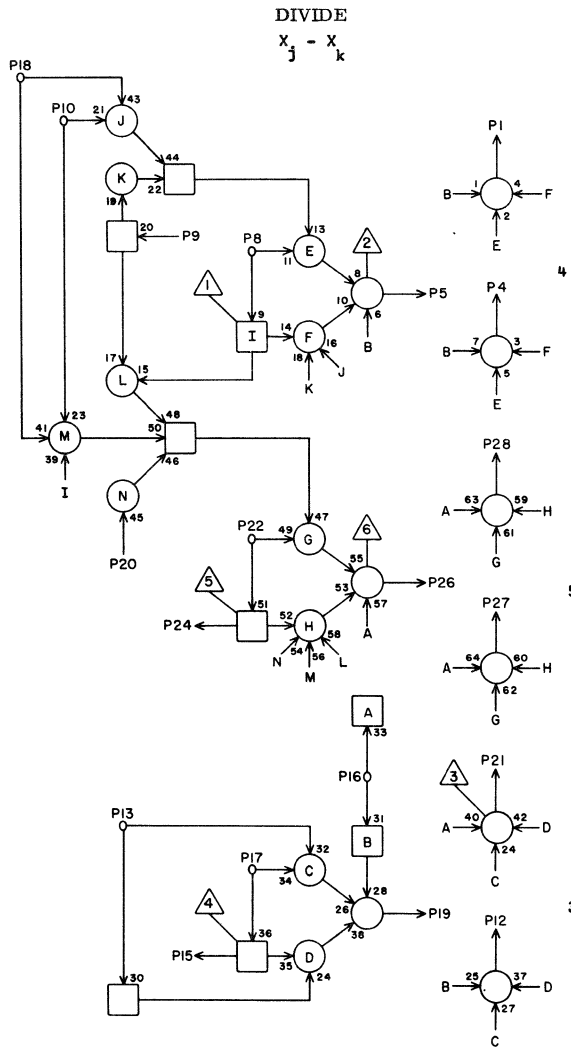


GD **2L28**

1	M29	3	9
2			
3			
4	M21	3	11
5	M13	3	17
6			
7			
8	P39	6	19
9	M28	8	9
10	P39	4	23
11			
12	M20	24	13
13	P26	23	19
14			
15			
16	K18	1	15
17	P39	1	23
18	P26	24	19
19	M12	26	19
20	M28	17	7
21	M28	24	7
22	P39	8	23
23			
24			
25			
26	M13	18	17
27	M21	18	13
28	M29	18	7

JACK PIN LG

63019700 Rev. H

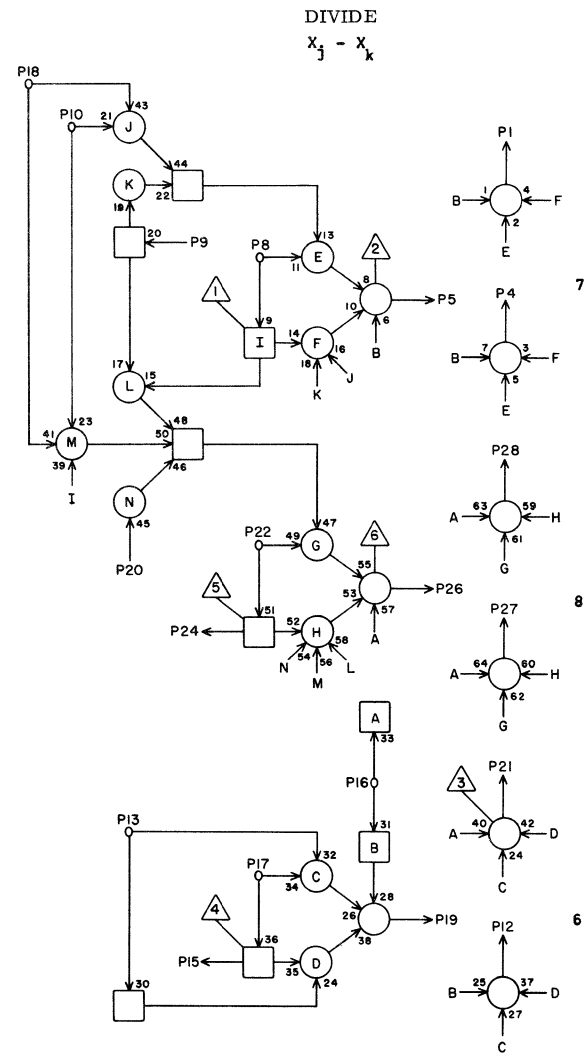


GD 2L29

1	M30	3	9
2			
3			
4	M22	3	11
5	M14	3	17
6			
7			
8	P39	14	23
9	M29	8	7
10	P39	12	23
11			
12	M21	24	13
13	P26	21	19
14			
15			
16	K18	2	13
17	P39	10	23
18	P26	22	19
19	M23	24	19
20	M29	17	7
21	M29	24	7
22	P39	15	23
23			
24			
25			
26	M14	18	17
27	M22	18	13
28	M30	18	7

JACK PIN LG

63019700 Rev. H



GD 2L30

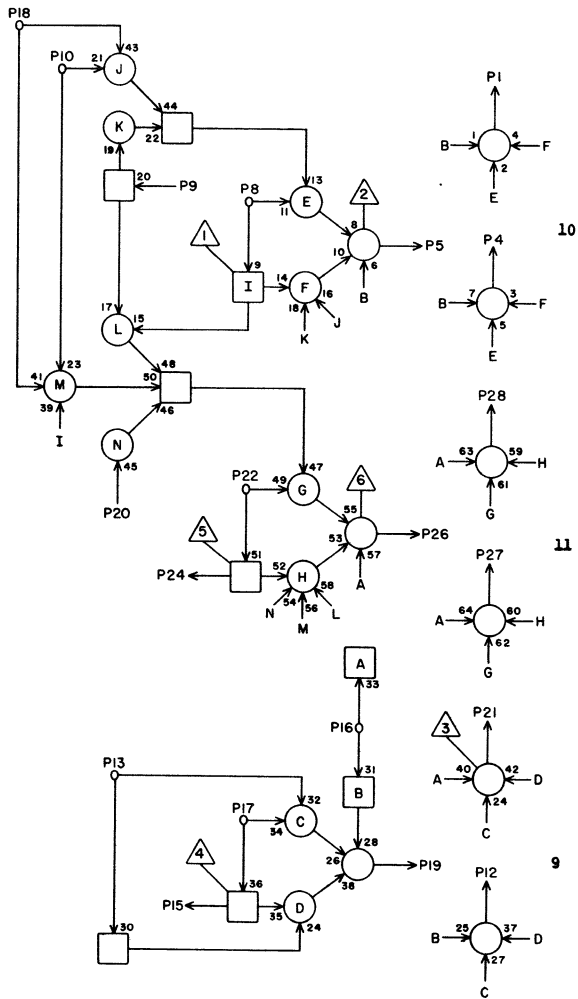
1	M31	3	9
2			
3			
4	M23	3	13
5	M15	3	19
6			
7			
8	P39	21	23
9	M30	8	7
10	P39	19	23
11			
12	M22	24	13
13	P26	17	19
14			
15			
16	K18	3	15
17	P39	17	23
18	P26	20	19
19	M14	24	19
20	M30	17	7
21	M30	24	7
22	P39	23	23
23			
24			
25			
26	M15	18	19
27	M23	18	13
28	M31	18	7

JACK PIN LG

2L30

63019700 Rev. H

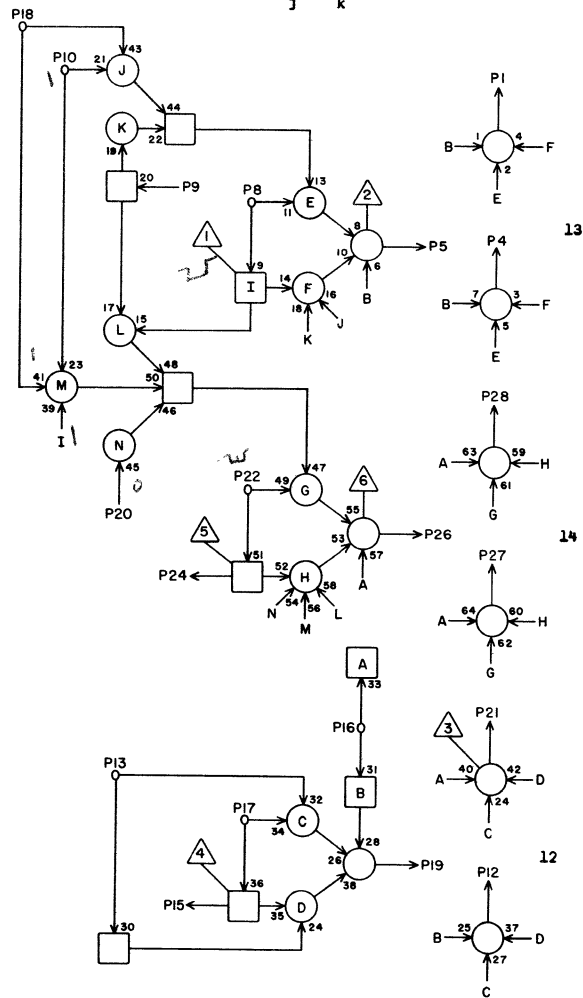
DIVIDE
 $x_j - x_k$



GD		2L31	
1	M32	3	7
2			
3			
4	M24	3	11
5	M16	3	17
6			
7			
8	P40	1	23
9	M31	8	7
10	P39	28	23
11			
12	M29	24	13
13	P27	26	21
14			
15			
16	K18	4	17
17	P39	25	23
18	P27	28	21
19	M15	24	19
20	M31	17	7
21	M31	24	9
22	P40	4	21
23			
24			
25			
26	M16	18	17
27	M24	18	13
28	M32	18	7
	JACK	PIN	LG

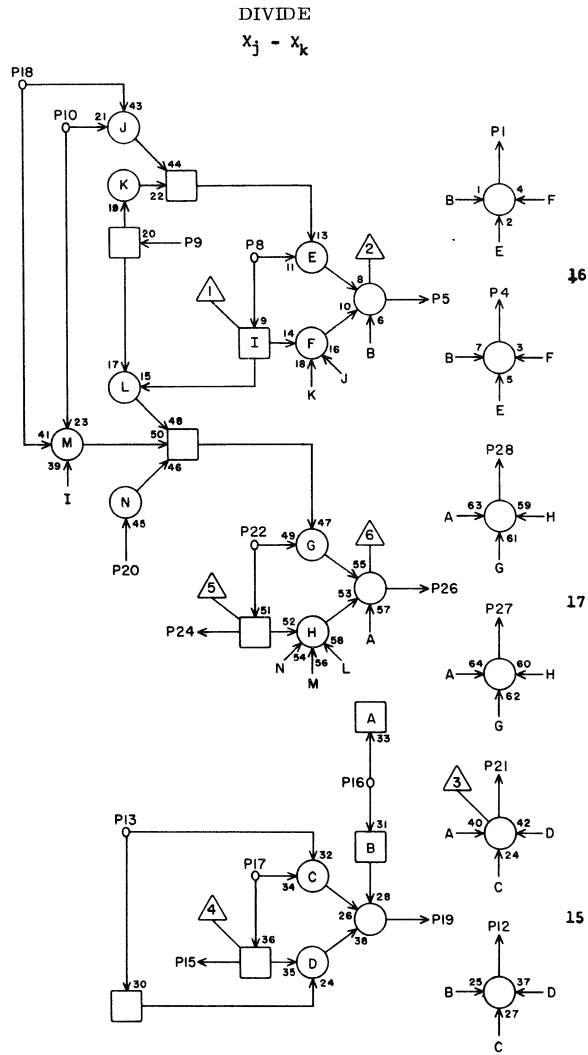
63019700 Rev. H

DIVIDE
 $x_j - x_k$



GD		2L32	
1	M33	3	9
2			
3			
4	M25	3	11
5	M17	3	17
6			
7			
8	P40	10	23
9	M32	8	7
10	P40	8	23
11			
12	M24	24	13
13	P27	23	21
14			
15			
16	K18	5	15
17	P40	6	23
18	P27	24	21
19	M16	24	19
20	M32	17	7
21	M32	24	9
22	P40	12	23
23			
24			
25			
26	M17	18	17
27	M25	18	13
28	M33	18	7
	JACK	PIN	LG

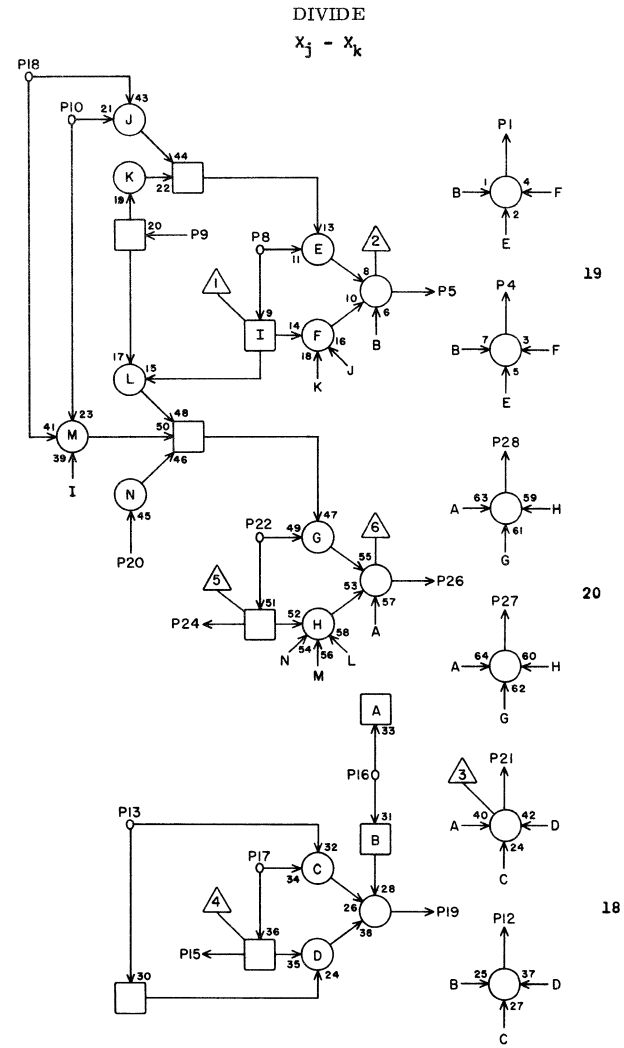
63019700 Rev. H



GD 2L33

1	M34	3	7
2			
3			
4	M26	3	11
5	M18	3	17
6			
7			
8	P40	17	23
9	M33	8	7
10	P40	15	23
11			
12	M25	24	13
13	P27	21	21
14			
15			
16	K18	6	17
17	P40	14	23
18	P27	22	19
19	M17	24	19
20	M33	17	7
21	M33	24	7
22	P40	19	23
23			
24			
25			
26	M18	18	17
27	M26	18	13
28	M34	18	7

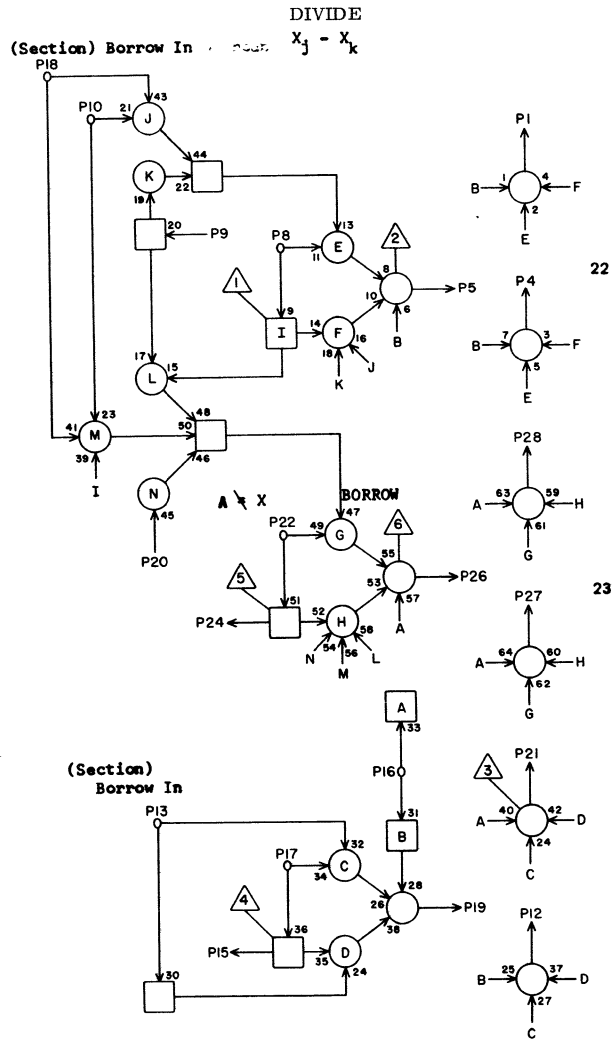
JACK PIN LG



GD 2L34

1	M35	3	7
2			
3			
4	M27	3	11
5	M19	3	17
6			
7			
8	P40	25	19
9	M34	8	7
10	P40	23	23
11			
12	M26	24	13
13	P27	17	21
14			
15			
16	K18	7	17
17	P40	21	19
18	P27	20	21
19	M18	24	19
20	M34	17	7
21	M34	24	7
22	P40	28	19
23			
24			
25			
26	M19	18	17
27	M27	18	13
28	M35	18	7

JACK PIN LG



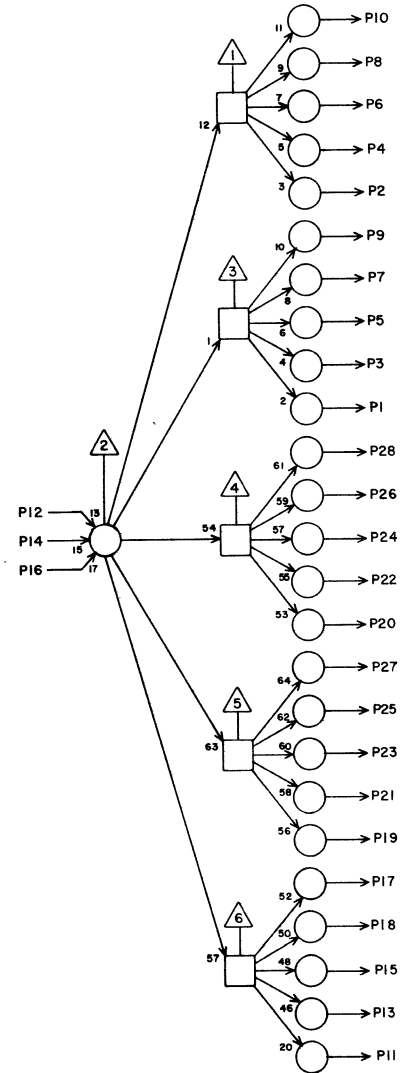
GD 2L35

1	Q28	3	17
2			
3			
4	Q20	8	21
5	O12	8	27
6			
7			
8	P41	6	21
9	M35	8	7
10	P41	4	21
11			
12	M27	24	13
13	P28	26	21
14			
15			
16	K18	8	17
17	P41	1	21
18	P28	28	21
19	M19	24	19
20	M35	17	7
21	M35	24	9
22	P41	8	21
23			
24			
25			
26	O12	18	27
27	Q20	18	21
28	Q28	18	17

JACK PIN LG

63019700 Rev. H

CLEAR X_j

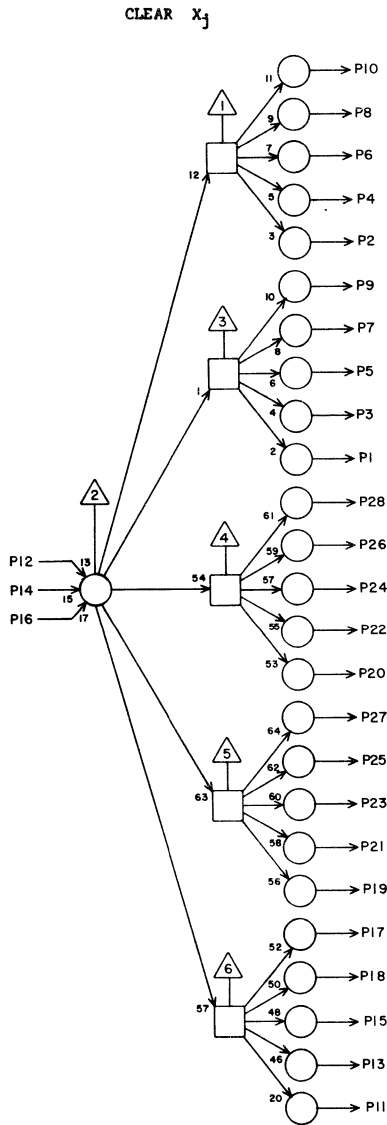


CA 2L36

1	M12	12	25
2	M13	12	25
3	M14	12	25
4	M15	12	23
5	M16	12	23
6	M18	12	21
7	M18	12	21
8	M19	12	19
9	M20	12	19
10	M21	12	17
11	M22	12	17
12	Q37	22	19
13	M23	12	17
14			
15	M24	12	15
16			
17	M25	12	13
18	M26	12	15
19	M27	12	13
20	M28	12	13
21	M29	12	11
22	M30	12	11
23	M31	12	11
24	M32	12	9
25	M33	12	9
26	M34	12	5
27	M35	12	5
28	M36	12	5

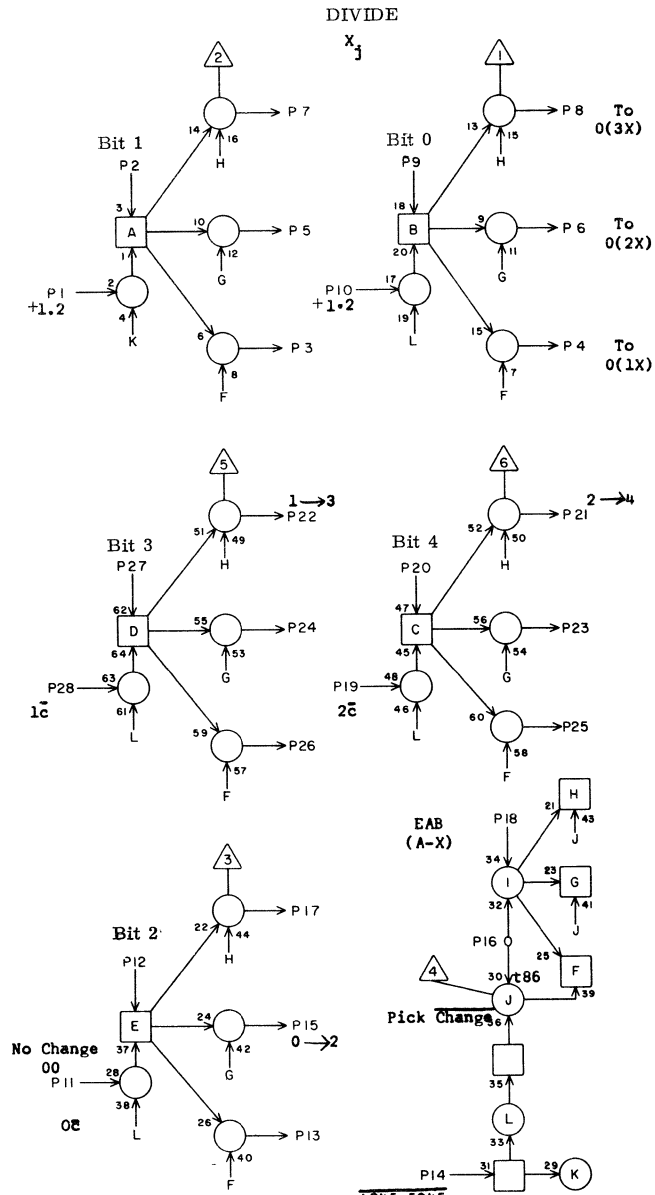
JACK PIN LG

63019700 Rev. H



CA			
2L37			
1	012	12	29
2	013	12	29
3	014	12	27
4	015	12	27
5	016	12	27
6	017	12	25
7	018	12	25
8	019	12	23
9	020	12	23
10	021	12	23
11	022	12	23
12	037	20	19
13	023	12	21
14			
15	024	12	21
16			
17	025	12	19
18	026	12	19
19	027	12	19
20	028	12	17
21	029	12	17
22	030	12	17
23	031	12	13
24	032	12	13
25	033	12	13
26	034	12	13
27	035	12	13
28	036	12	13
	JACK	PIN	LG

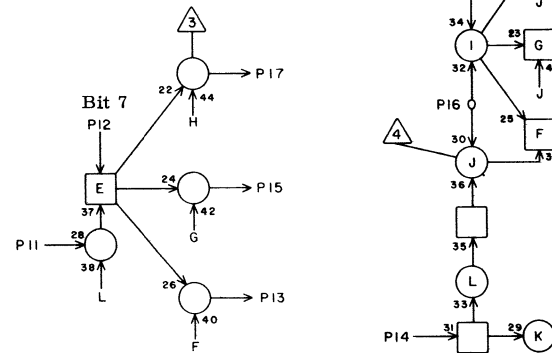
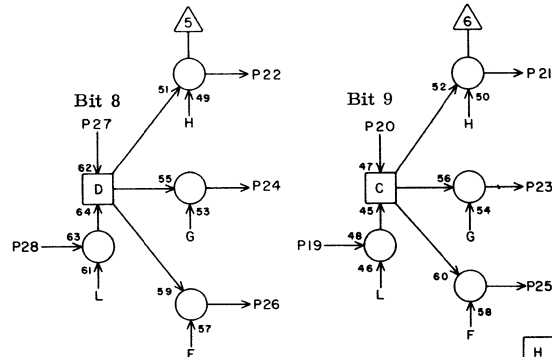
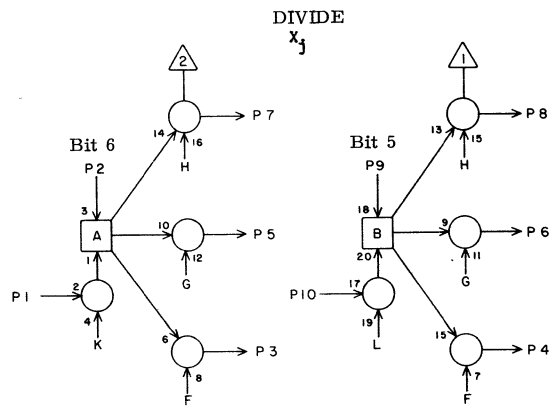
63019700 Rev. H



245-5345
2L38

GF			
2L38			
1	M38	1	9
2	Q06	3	39
3	M28	16	15
4	M28	2	15
5	M20	16	19
6	M20	2	19
7	M12	16	27
8	M12	2	27
9	Q06	1	39
10	M38	2	9
11	L42	12	7
12	Q06	5	39
13	M20	23	21
14	O08	19	33
15	M12	23	27
16	M42	4	13
17	M28	23	15
18	K19	2	21
19	L42	11	7
20	Q07	1	39
21	M13	16	27
22	M13	2	27
23	M21	16	21
24	M21	2	21
25	M29	16	15
26	M29	2	15
27	Q06	7	39
28	L42	10	7
	JACK	PIN	LG

63019700 Rev. H

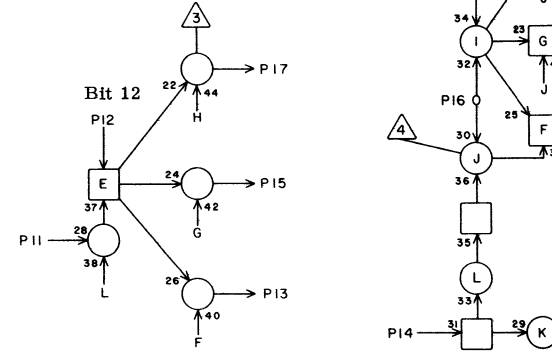
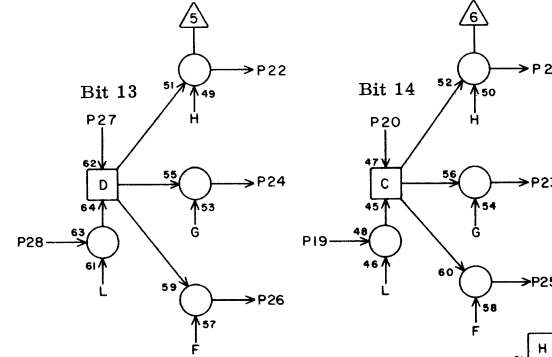
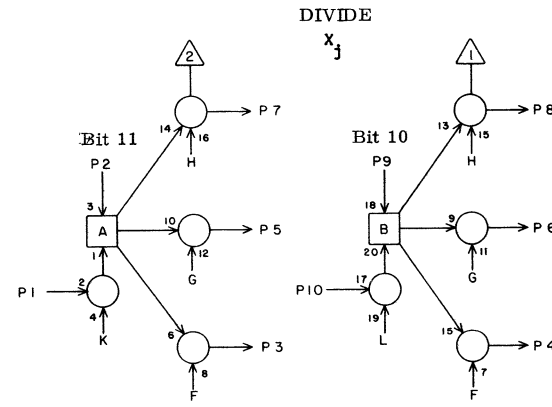


GF **2L39**

1	L42	14	5
2	Q07	5	39
3	M30	2	13
4	M29	23	13
5	M22	2	19
6	M21	23	21
7	M14	2	27
8	M13	23	27
9	Q07	3	39
10	L42	9	5
11	L42	19	5
12	Q07	7	39
13	M22	16	19
14	Q08	20	33
15	M14	16	27
16	L42	1	13
17	M30	16	15
18	M19	4	21
19	L42	16	5
20	Q08	3	39
21	M15	2	27
22	M14	23	27
23	M23	2	19
24	M22	23	19
25	M31	2	15
26	M30	23	15
27	Q08	1	39
28	L42	13	7

JACK PIN LG

63019700 Rev. H

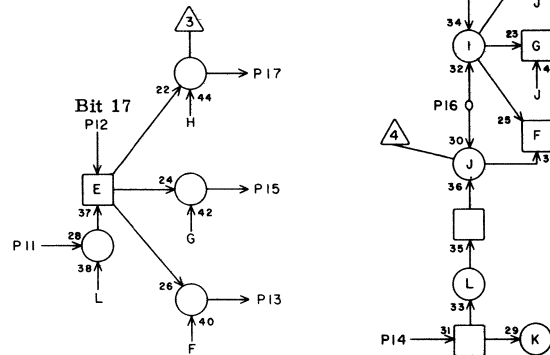
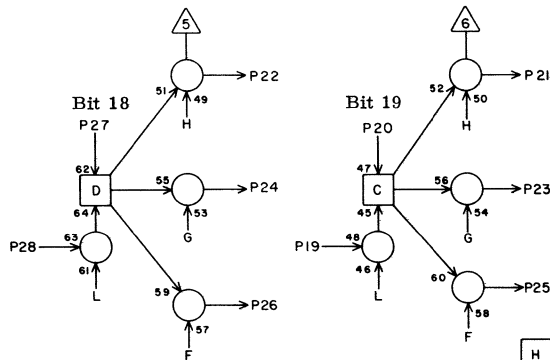
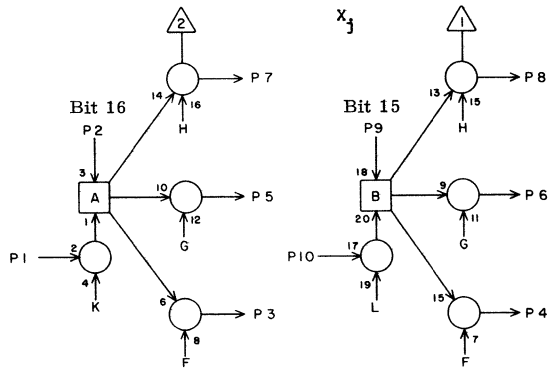


GF **2L40**

1	L42	18	5
2	Q08	7	39
3	M31	23	15
4	M31	16	15
5	M23	23	21
6	M23	16	21
7	M15	23	27
8	M15	16	27
9	Q08	5	39
10	L42	15	5
11	L42	17	5
12	Q09	1	39
13	M04	2	19
14	Q08	21	33
15	M16	2	25
16	M42	6	13
17	M32	2	13
18	K19	6	23
19	M41	12	9
20	Q09	5	39
21	M16	23	25
22	M16	16	25
23	M24	23	19
24	M24	16	19
25	M32	23	13
26	M32	16	13
27	Q09	3	39
28	L42	20	5

JACK PIN LG

63019700 Rev. H

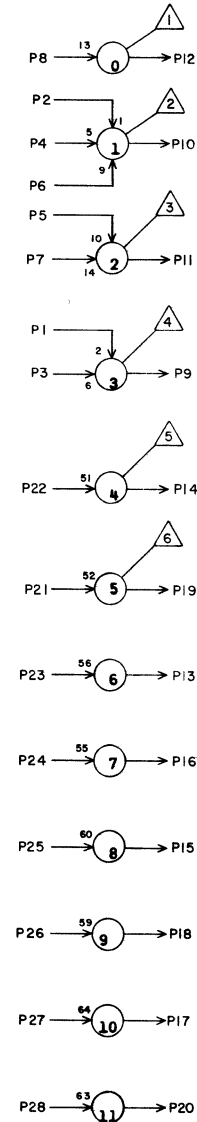


GF 2L41

1	M41	11	9
2	Q10	1	39
3	M33	16	13
4	M33	2	13
5	M25	16	19
6	M25	2	19
7	M17	16	25
8	M17	2	25
9	Q09	7	39
10	M41	10	9
11	M41	9	9
12	Q10	3	39
13	M25	23	19
14	Q08	22	35
15	M17	23	25
16	M42	7	13
17	M33	23	13
18	K10	8	23
19	M41	19	9
20	Q10	7	39
21	M10	16	25
22	M10	2	25
23	M26	16	19
24	M26	2	19
25	M34	16	13
26	M34	2	13
27	Q10	5	39
28	M41	14	9

JACK PIN LG

NO CHANGE PATH

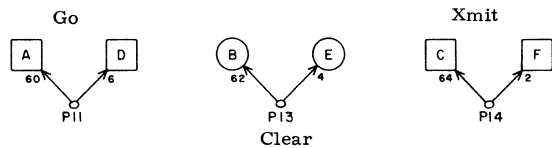
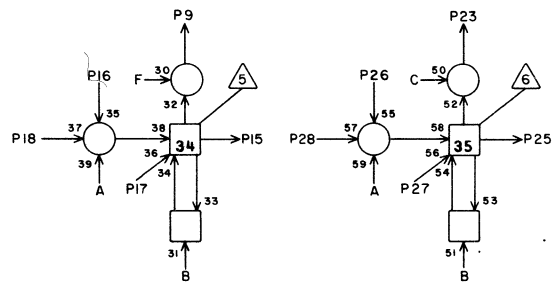
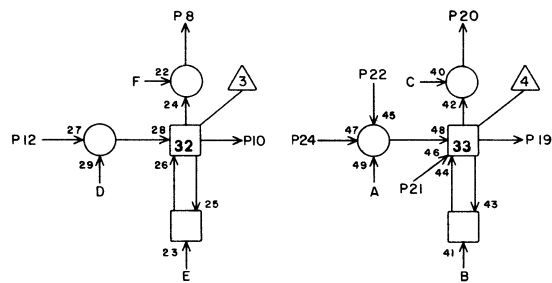
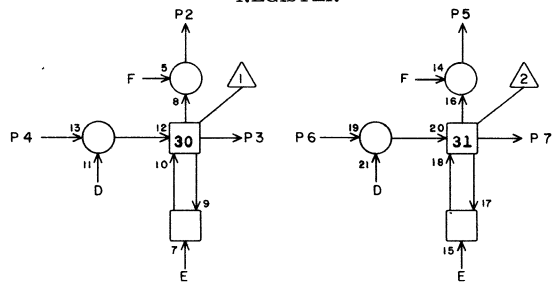


TL 2L42

1	M29	1	17
2	M20	15	17
3			
4			
5	M20	20	17
6			
7			
8	M20	1	17
9	L39	10	5
10	L39	20	7
11	L39	19	7
12	L39	11	7
13	L39	20	7
14	L39	1	5
15	L40	10	5
16	L39	19	5
17	L40	11	5
18	L40	1	5
19	L39	11	5
20	L40	20	5
21	M29	20	17
22	M29	15	17
23	M30	1	17
24	M30	15	17
25	M30	20	17
26	M31	1	17
27	M31	15	17
28	M31	20	17

JACK PIN LG

BOOLEAN RESULT REGISTER



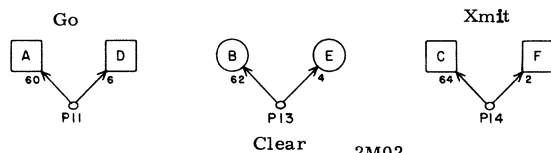
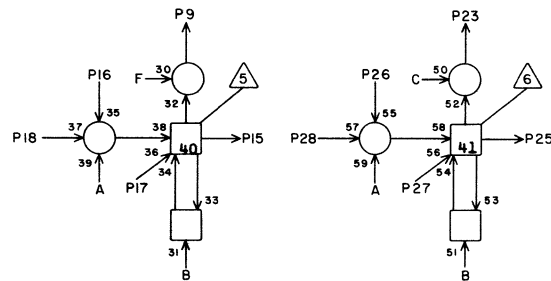
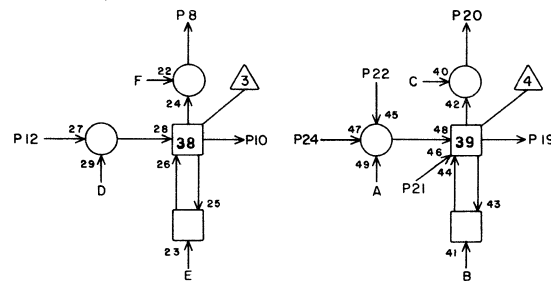
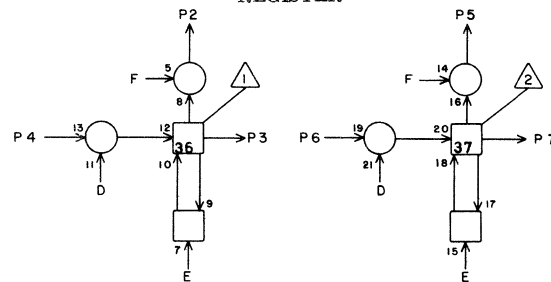
MD 2M01

1			
2	K08	19	13
3			
4	N01	8	9
5	K08	27	13
6	N01	13	9
7			
8	K09	2	15
9	K09	19	15
10			
11	O10	15	13
12	N01	23	9
13	O10	25	13
14	O11	15	17
15			
16	N02	13	7
17			
18		Grd	2
19			
20	K09	10	15
21			
22	N02	8	7
23	K09	27	15
24		Grd	2
25			
26	N02	23	7
27			
28		Grd	2

JACK PIN LG

63019700 Rev. H

BOOLEAN RESULT REGISTER



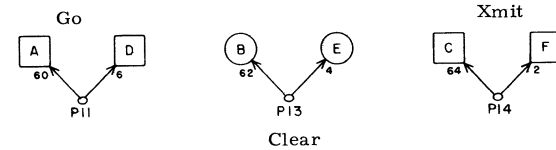
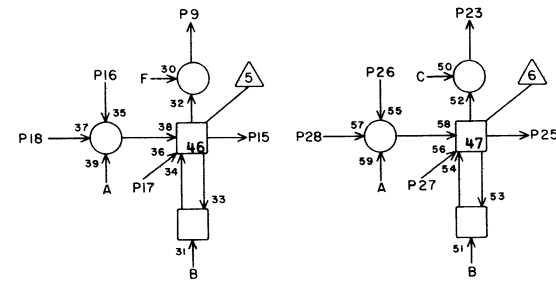
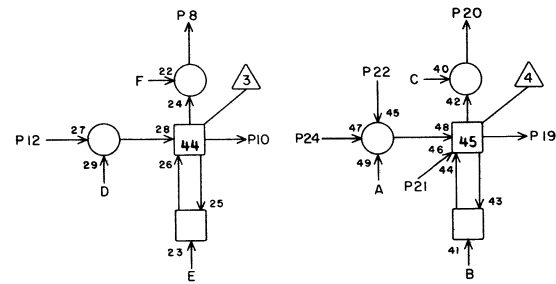
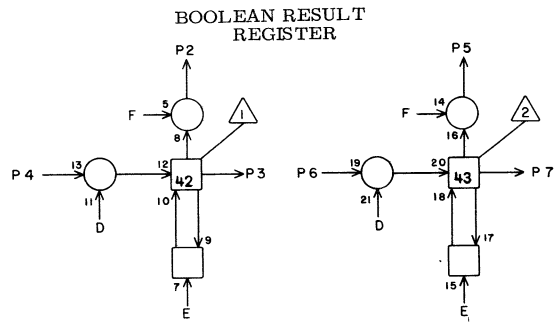
2M02

MD 2M02

1			
2	K10	2	19
3			
4	N03	8	9
5	K10	10	15
6	N03	13	9
7			
8	K10	19	15
9	K11	2	15
10			
11	O10	7	13
12	N03	23	9
13	O10	23	13
14	O11	7	13
15			
16	N04	13	9
17			
18		Grd	2
19			
20	K10	27	15
21			
22	N04	8	7
23	K11	10	15
24		Grd	2
25			
26	N04	23	9
27			
28		Grd	2

JACK PIN LG

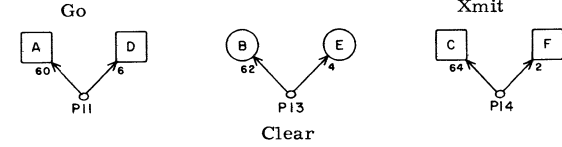
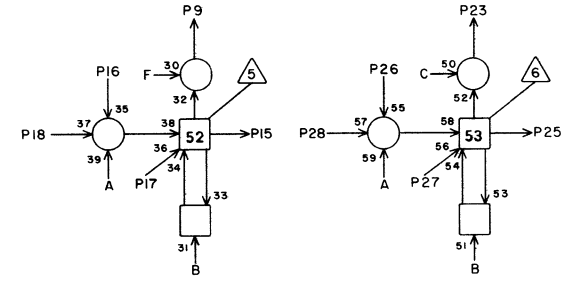
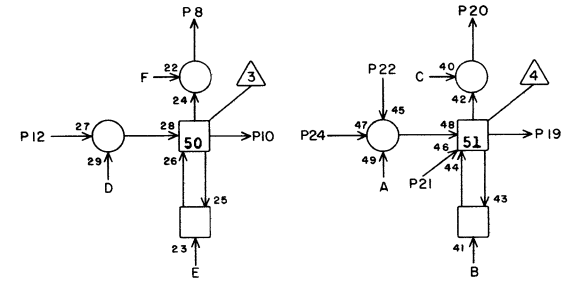
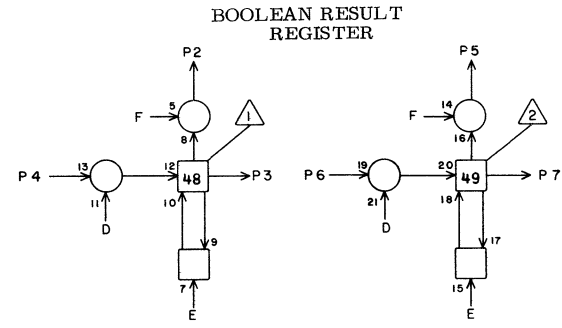
63019700 Rev. H



MD **2M03**

1			
2	K11	19	15
3			
4	N05	8	9
5	K11	27	13
6	N05	13	9
7			
8	K12	2	15
9	K12	19	15
10			
11	010	6	13
12	N05	23	9
13	010	26	15
14	011	6	15
15			
16	L01	13	9
17			
18		Grd	2
19			
20	K12	10	15
21			
22	L01	8	9
23	K12	27	15
24		Grd	2
25			
26	L01	23	9
27			
28		Grd	2
	JACK	PIN	LG

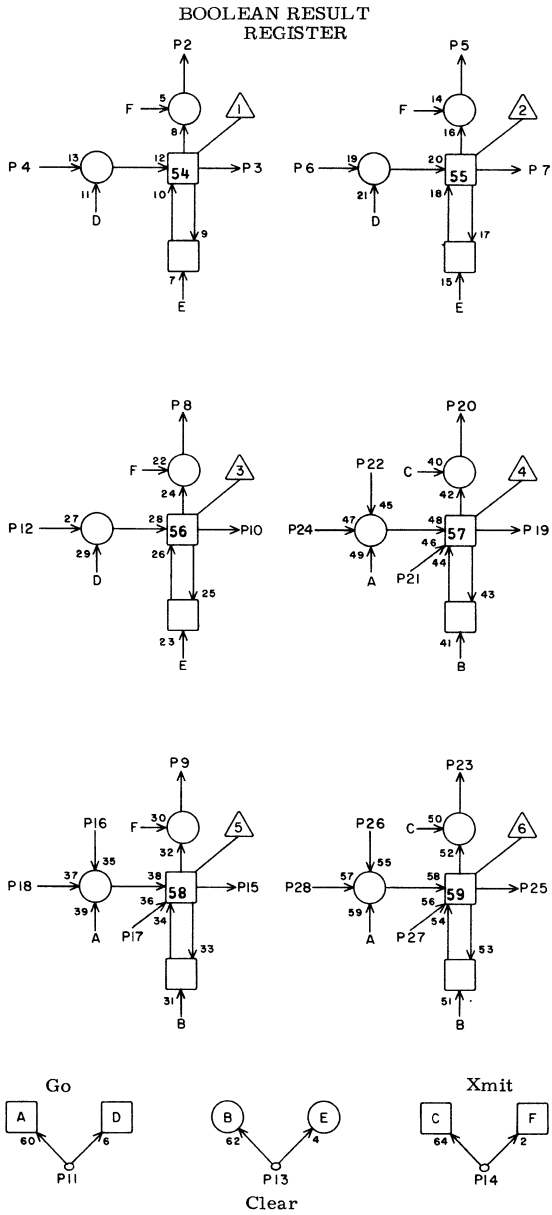
63019700 Rev. H



MD **2M04**

1			
2			
3	F18	2	31
4	L02	8	9
5			
6	L02	13	7
7	F18	1	33
8			
9			
10	F18	12	31
11	P11	1	13
12	L02	23	7
13	010	24	13
14	011	4	13
15	F18	28	31
16	L03	13	7
17			
18		Grd	2
19	F18	17	33
20			
21			
22	L03	8	7
23			
24		Grd	2
25	F18	27	31
26	L03	23	9
27			
28		Grd	2
	JACK	PIN	LG

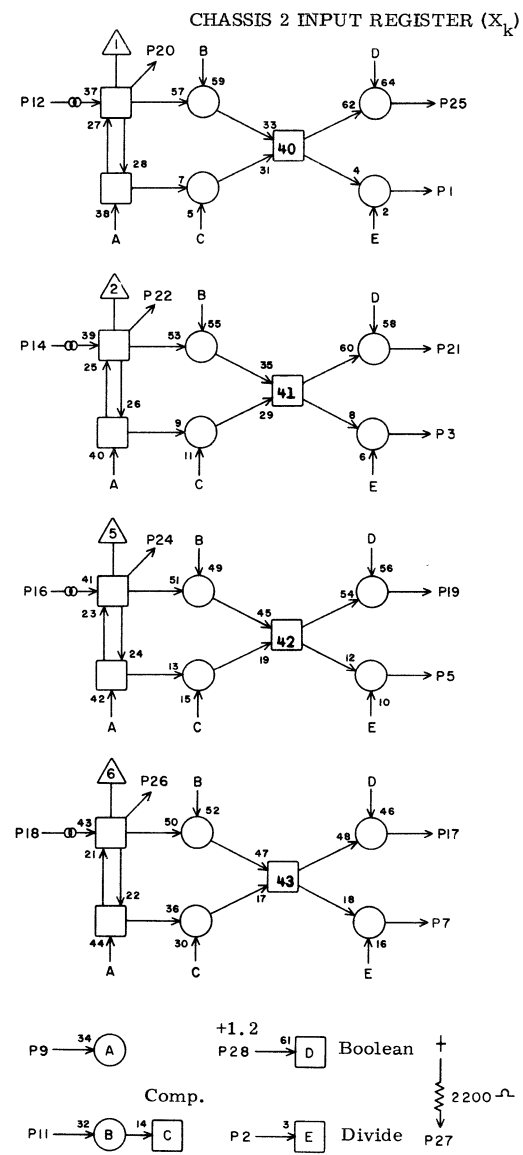
63019700 Rev. H



MD **2M05**

1		
2		
3	F19	2 31
4	L04	8 7
5		
6	L04	13 7
7	F19	1 33
8		
9		
10	F19	12 31
11	P11	2 13
12	L04	23 5
13	O10	22 13
14	O11	9 13
15	F19	28 31
16	L05	13 9
17		
18	Grd	2
19	F19	17 33
20		
21		
22	L05	8 7
23		
24	Grd	2
25	F19	27 31
26	L05	23 7
27		
28	Grd	2
	JACK	PIN LG

63019700 Rev. H

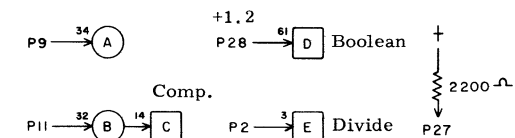
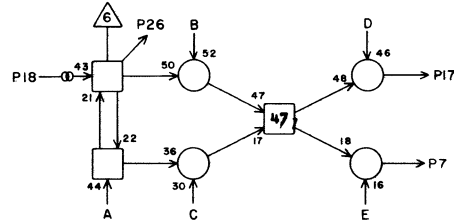
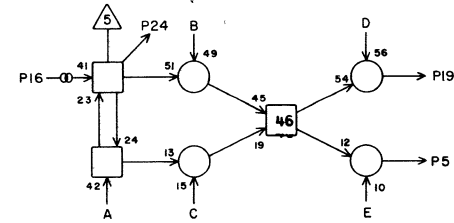
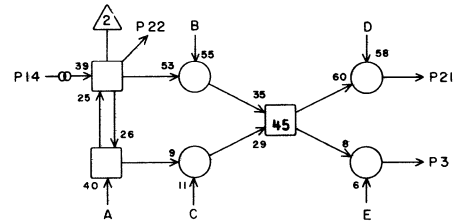
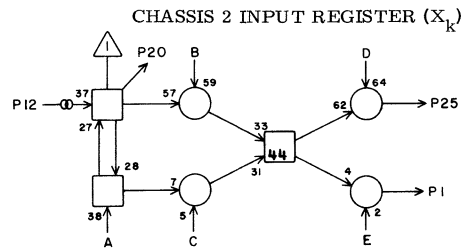


2M06

GA **2M06**

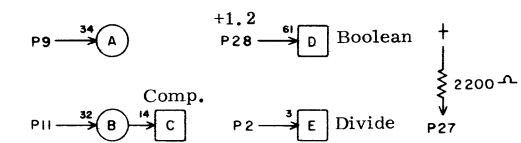
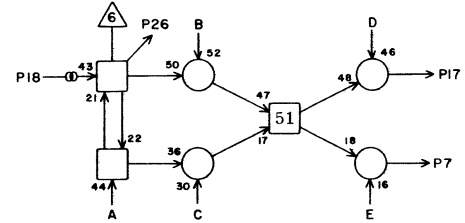
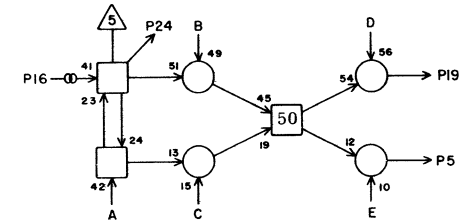
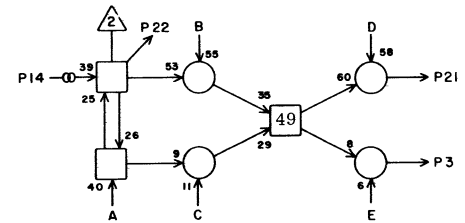
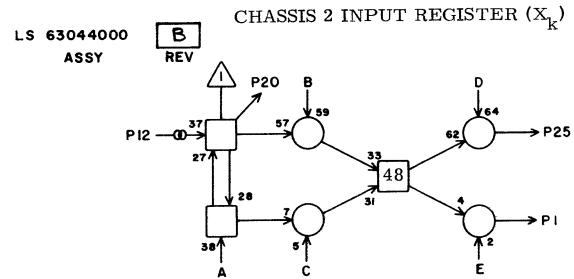
1	R24	10 29
2	P14	1 17
3	R24	15 29
4		
5	R25	11 29
6		
7	R25	10 29
8		
9	P11	22 15
10		
11	P12	1 17
12	W29	94
13		
14	W29	95
15		
16	W29	96
17	N05	21 9
18	W29	97
19	N05	3 5
20	I07	16 19
21	N04	27 7
22	I07	26 19
23		
24	I08	4 21
25	N04	9
26	I08	6 21
27	K02	16 13
28	P13	1 15
	JACK	PIN LG

63019700 Rev. H



GA		2M07	
JACK	PIN	LG	
1	R25	15	29
2	P14	2	17
3	R26	11	29
4			
5	R26	10	29
6			
7	R26	15	29
8			
9	P11	21	15
10			
11	P12	2	15
12	W29	98	
13			
14	W29	99	
15			
16	W29	900	
17	L01	27	11
18	W29	901	
19	L01	21	11
20	I08	12	19
21	L01	3	13
22	I08	22	19
23			
24	I08	16	19
25	N05	27	9
26	I08	26	19
27	K02	26	13
28	P13	2	15

63019700 Rev. H

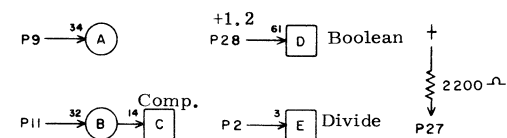
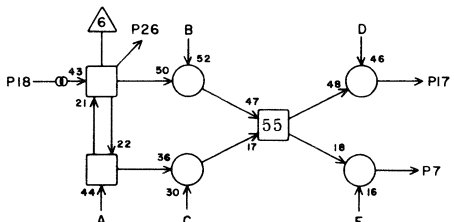
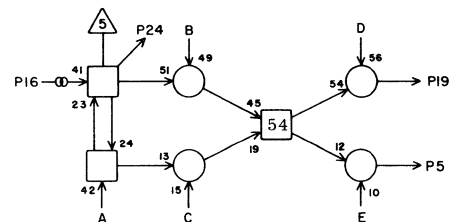
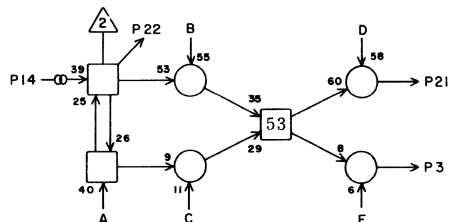
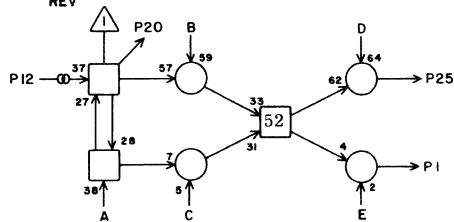


GA		2M08	
JACK	PIN	LG	
1	E37	8	43
2	I12	24	19
3	E37	26	43
4			
5	E38	8	41
6			
7	E38	26	41
8			
9	O05	1	15
10			
11	P12	3	15
12	W22	90	
13			
14	W22	91	
15			
16	W22	92	
17	L03	3	11
18	W22	93	
19	L02	27	11
20	E08	28	120
21	L02	21	11
22	E08	25	120
23			
24	E08	1	120
25	L02	3	13
26	E08	4	29
27	A36	26	51
28	P13	3	15

CIRCUIT SPECIFICATION I1827600

63019700 Rev. H

LS 63044000 ASSY **B** REV CHASSIS 2 INPUT REGISTER (X_k) GA



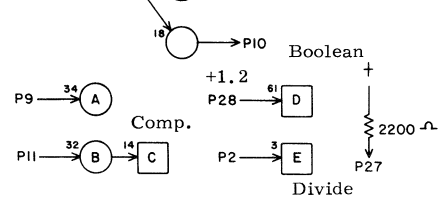
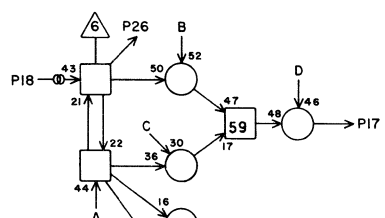
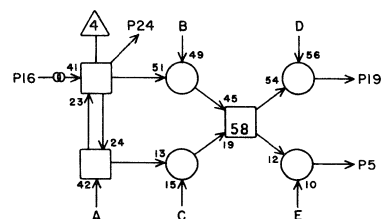
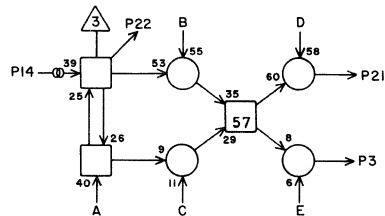
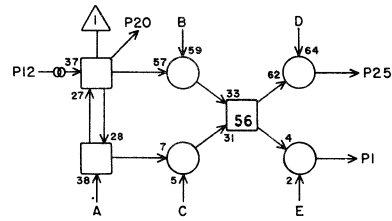
2M09

1	E39	8	41
2	I12	22	19
3	E39	26	41
4			
5	E40	8	43
6			
7	E40	26	41
8			
9	O05	2	13
10			
11	P12	4	15
12	W22	94	
13			
14	W22	95	
15			
16	W22	96	
17	L04	21	11
18	W22	97	
19	L04	3	11
20	E08	10	120
21	L03	27	11
22	E08	22	120
23			
24	E09	28	120
25	L03	21	11
26	E09	25	120
27	M11	28	5
28	P13	4	15

JACK PIN LG
CIRCUIT SPECIFICATION I1827600

63019700 Rev. H

CHASSIS 2 INPUT REGISTER (X_k)

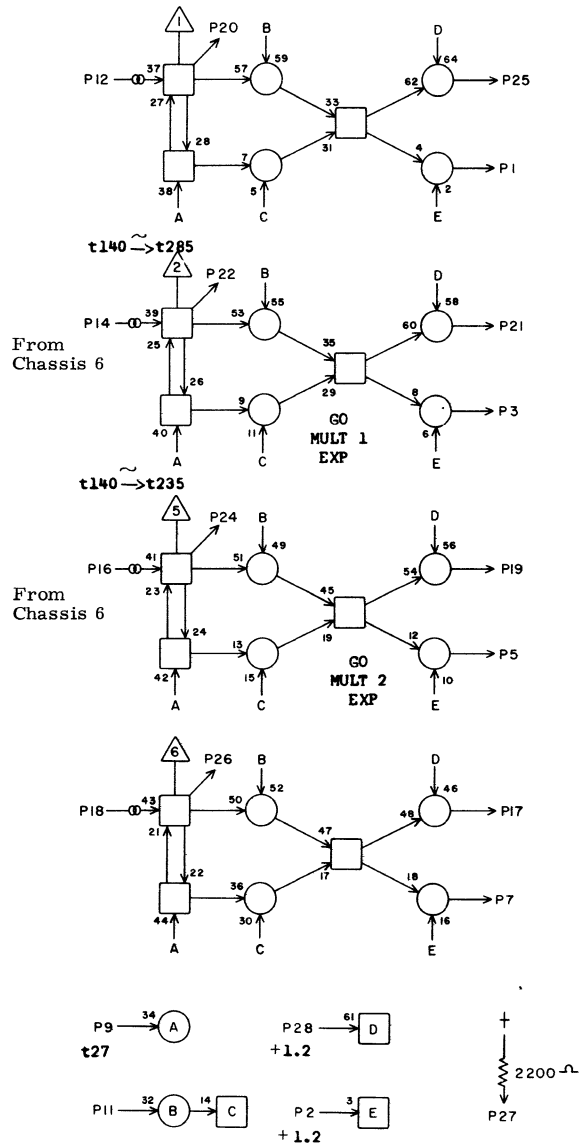


2M10

1	E41	8	43
2	I12	20	19
3	E41	26	41
4			
5	A31	25	47
6			
7	E09	19	31
8			
9	O05	6	13
10	E08	19	31
11	P12	5	15
12	W22	98	
13			
14	W22	99	
15			
16	W22	900	
17	L05	27	11
18	W22	901	
19	L05	21	11
20	E09	1	120
21	L05	3	11
22	E09	4	120
23			
24	E09	10	120
25	L04	27	11
26	H27	1	29
27	A36	3	51
28	P13	5	15

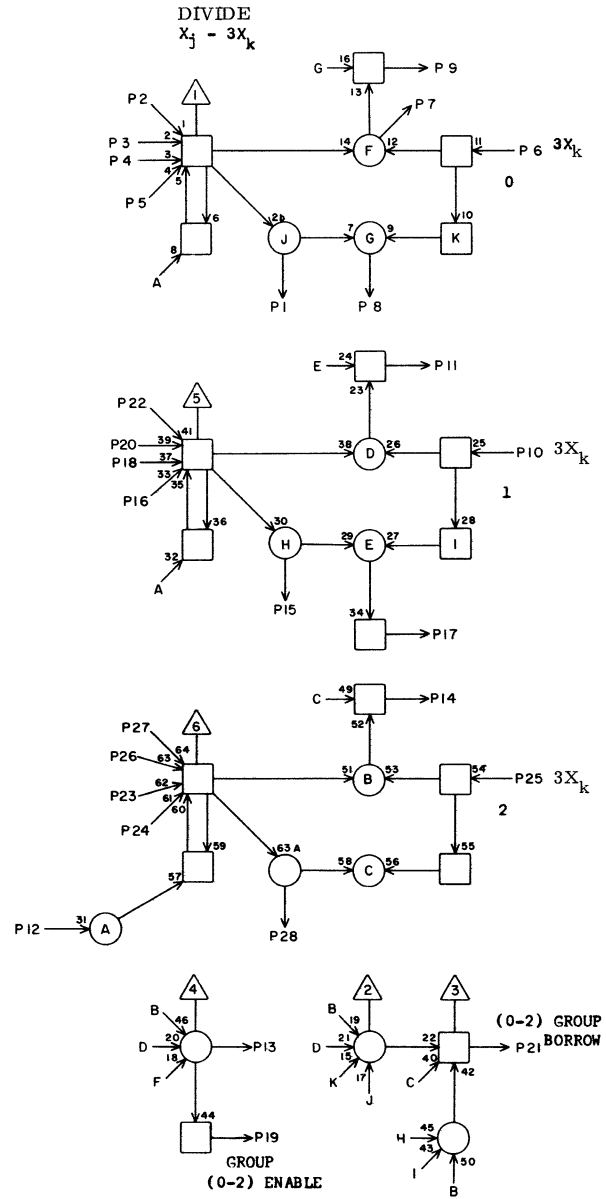
JACK Pin LG

63019700 Rev. H



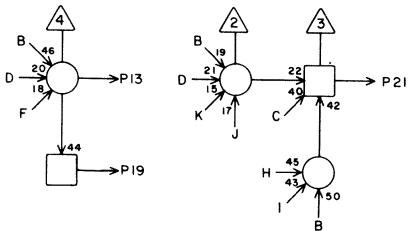
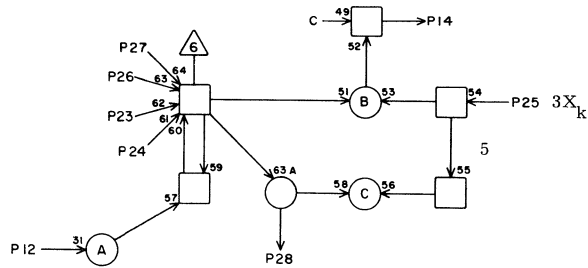
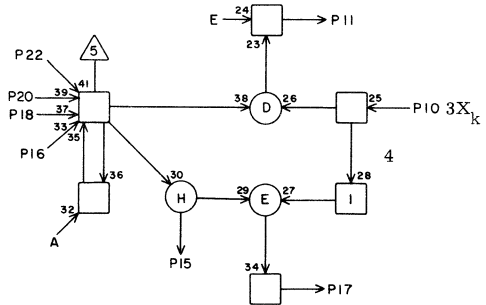
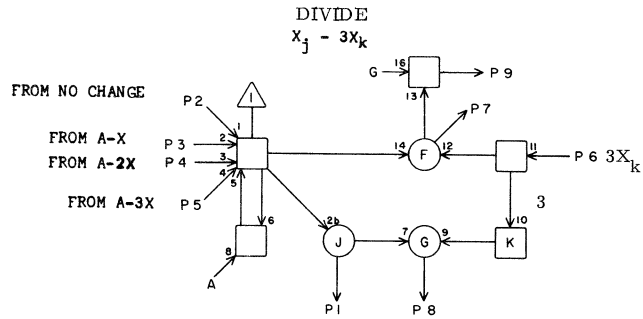
GA		2M11	
JACK	PIN	LG	
1			
2	M11	27	5
3	A36	1	51
4			
5	P15	2	13
6			
7			
8			
9	J24	28	19
10			
11			
12			
13			
14	W26	905	
15			
16	W26	906	
17			
18			
19	A36	28	51
20			
21	P15	4	13
22	A36	2	51
23			
24	A36	4	51
25			
26			
27	M11	2	5
28	M9	27	5

63019700 Rev. H



GC		2M12	
JACK	PIN	LG	
1			
2	L38	8	27
3	K42	21	31
4			
5			
6	Q25	5	21
7	R42	24	37
8	L12	9	7
9	R42	22	37
10	Q25	13	21
11	R42	26	37
12	L36	1	27
13	P16	1	15
14	R42	27	37
15			
16	L38	7	27
17	L12	20	7
18			
19	K21	7	13
20			
21	P16	16	15
22			
23	L38	15	27
24	L28	19	19
25	Q25	24	21
26	L20	19	11
27	L12	19	7
28			

63019700 Rev. H

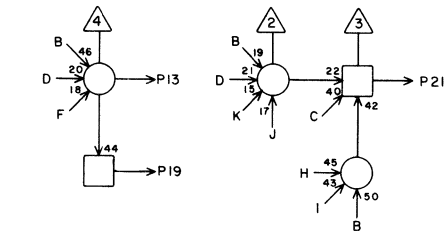
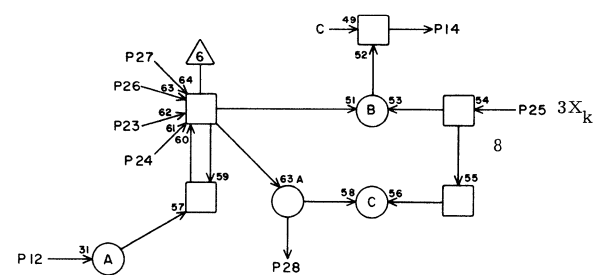
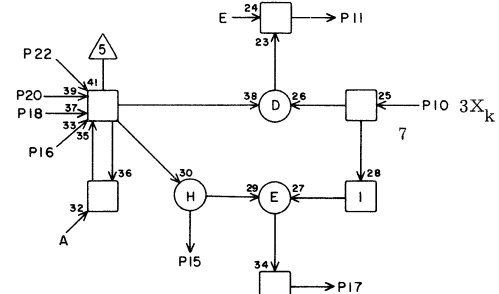
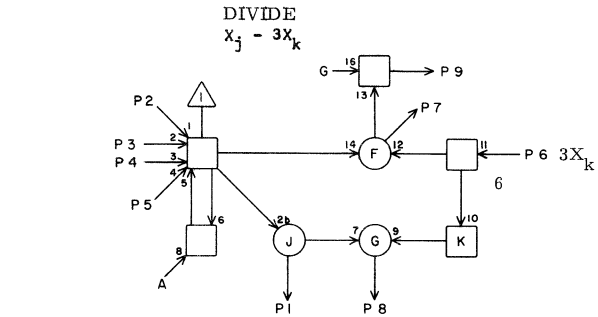


GC **2M13**

1			
2	L38	22	27
3	L28	5	17
4	L20	5	11
5	L12	5	7
6	Q26	5	21
7	R33	3	31
8	L13	9	7
9	R33	2	31
10	Q26	13	21
11	R33	5	31
12	L36	2	25
13	P16	3	15
14	R33	7	31
15			
16	L38	21	27
17	L13	20	7
18	L28	26	17
19	K21	5	13
20	L20	26	11
21	P16	15	15
22	L12	26	7
23	L39	8	27
24	L29	19	19
25	Q26	24	21
26	L21	19	13
27	L13	19	9
28			

JACK PIN LG

63019700 Rev. H



2M14

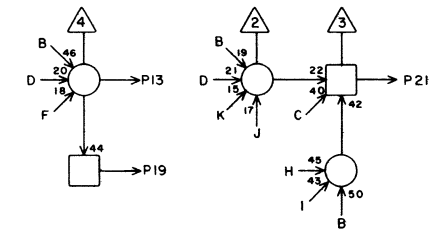
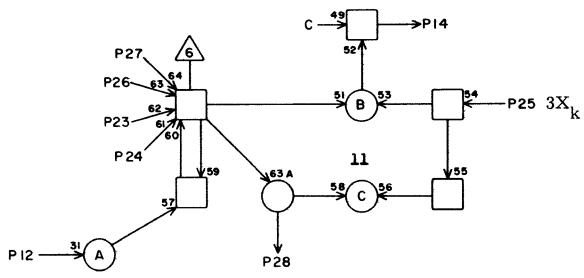
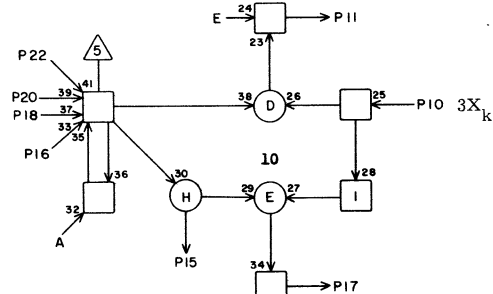
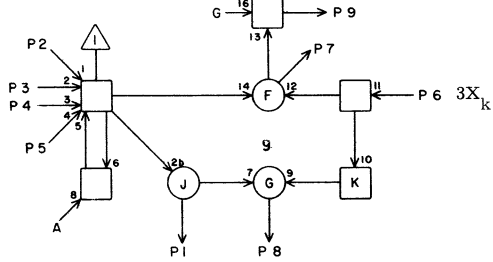
GC **2M14**

1			
2	L39	7	27
3	L29	5	17
4	L21	5	13
5	L13	5	7
6	Q27	5	21
7	R33	11	31
8	L14	9	7
9	R33	9	31
10	Q27	13	21
11	R33	13	31
12	L36	3	25
13	P16	4	15
14	R33	16	31
15			
16	L39	15	27
17	L14	20	7
18	L29	26	17
19			
20	L21	26	11
21	P16	5	15
22	L13	26	7
23	L39	22	27
24	L30	19	19
25	Q27	24	21
26	L22	19	11
27	L14	19	7
28			

JACK PIN LG

63019700 Rev. H

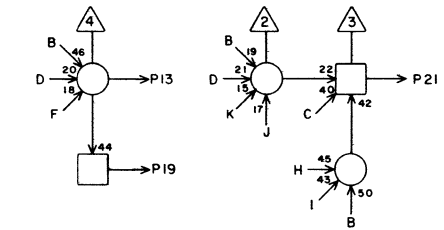
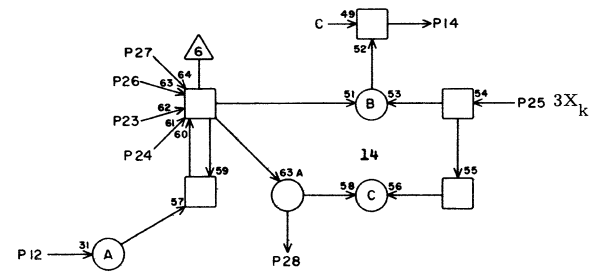
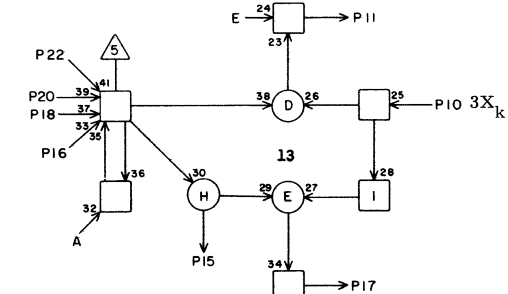
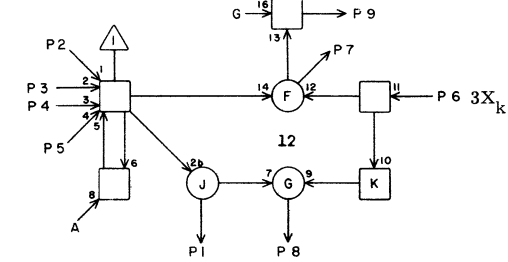
DIVIDE
 $X_j - 3X_k$



GC		2M15	
JACK	PIN	LG	
1			
2	L39	21	27
3	L30	5	19
4	L22	5	11
5	L14	5	7
6	Q28	5	21
7	R33	20	31
8	L15	9	7
9	R33	18	31
10	Q28	13	21
11	R33	22	31
12	L36	4	23
13	P17	2	15
14	R33	24	31
15			
16	L40	8	27
17	L15	20	7
18	L30	26	19
19	J26	1	21
20	L22	26	11
21	P17	13	15
22	L14	26	7
23	L40	7	27
24	L31	19	19
25	Q28	24	21
26	L23	19	13
27	L15	19	7
28			

63019700 Rev. H

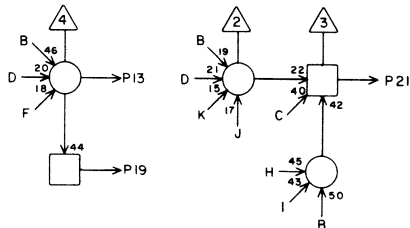
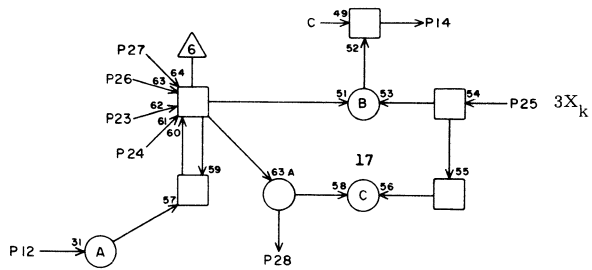
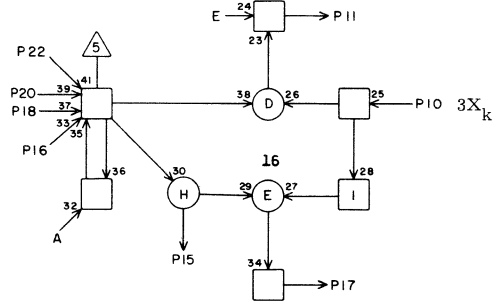
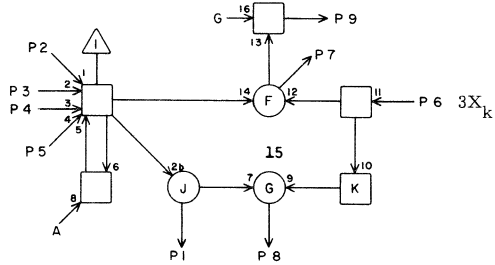
DIVIDE
 $X_j - 3X_k$



GC		2M16	
JACK	PIN	LG	
1			
2	L40	15	25
3	L31	5	17
4	L23	5	13
5	L15	5	7
6	Q29	5	21
7	R33	27	31
8	L16	9	7
9	R33	26	31
10	Q29	13	21
11	R34	2	29
12	L36	5	23
13	P17	1	15
14	R34	3	29
15			
16	L40	22	25
17	L16	20	7
18	L31	26	17
19	K22	26	13
20	L23	26	11
21	P17	16	15
22	L15	26	7
23	L40	21	25
24	L32	19	19
25	Q29	24	21
26	L24	19	13
27	L16	19	9
28			

63019700 Rev. H

DIVIDE
 $X_j - 3X_k$



GC

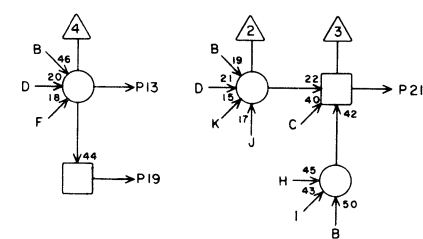
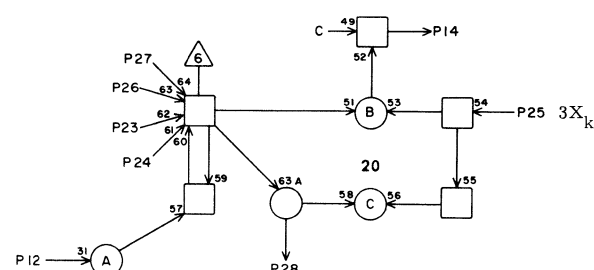
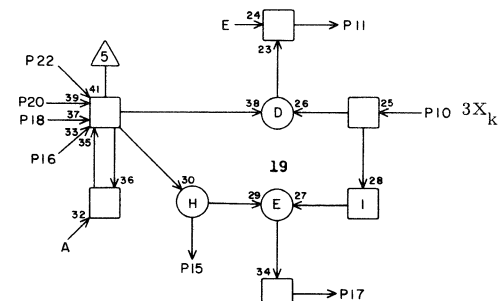
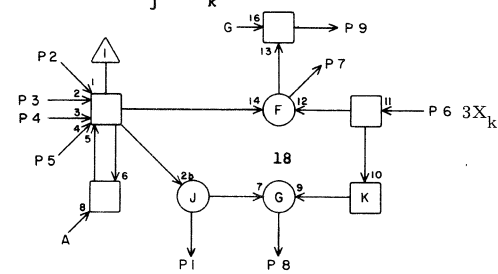
2M17

1			
2	L41	8	25
3	L32	5	17
4	L24	5	13
5	L16	5	7
6	Q30	5	23
7	R34	7	29
8	L17	9	7
9	R34	5	29
10	Q30	13	23
11	R34	9	29
12	L36	6	21
13	P17	3	15
14	R34	11	29
15			
16	L41	7	25
17	L17	20	7
18	L32	26	17
19	K22	25	13
20	L24	26	11
21	P17	15	15
22	L16	26	7
23	L41	15	25
24	L33	19	19
25	Q30	24	23
26	L25	19	13
27	L17	19	7
28			

JACK PIN LG

63019700 Rev. H

DIVIDE
 $X_j - 3X_k$



GC

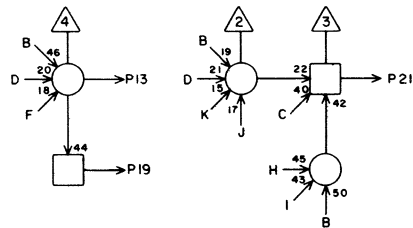
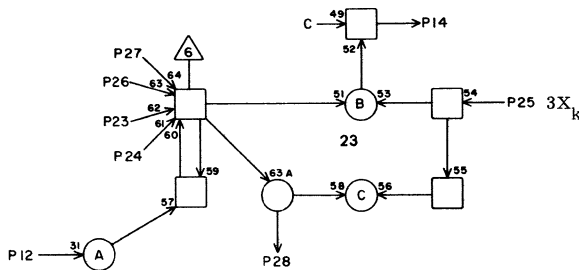
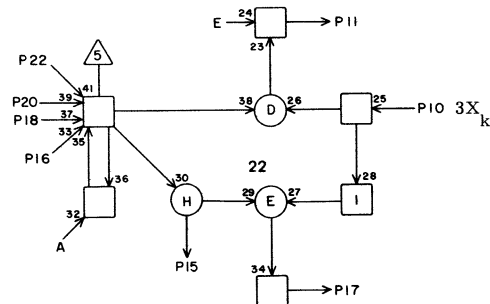
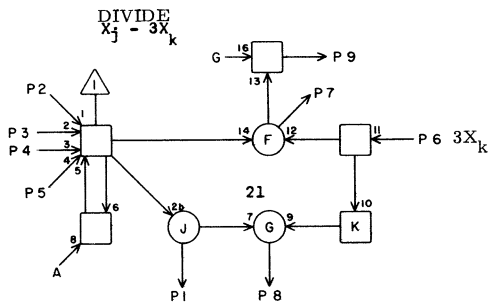
2M18

1			
2	L41	22	25
3	L33	5	17
4	L25	5	13
5	L17	5	7
6	Q31	5	23
7	R34	16	29
8	L18	9	7
9	R34	13	29
10	Q31	13	23
11	R34	18	29
12	L36	7	21
13	P17	4	15
14	R34	20	29
15			
16	L41	21	25
17	L18	20	7
18	L33	26	17
19			
20	L25	26	11
21	P17	5	15
22	L17	26	7
23	M39	8	23
24	L34	19	19
25	Q31	24	23
26	L26	19	13
27	L18	19	9
28			

JACK PIN LG

63019700 Rev. H

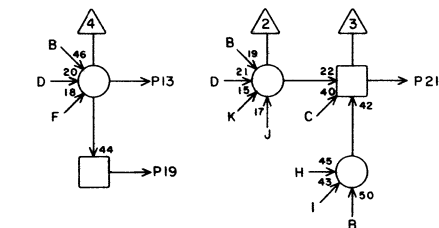
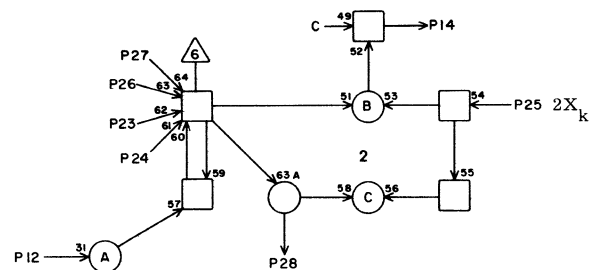
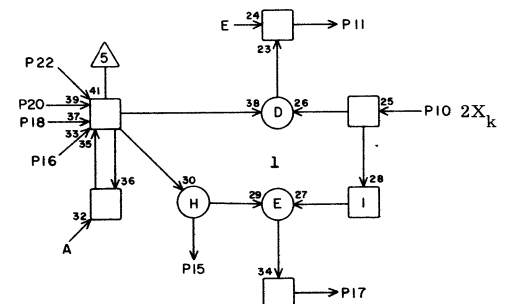
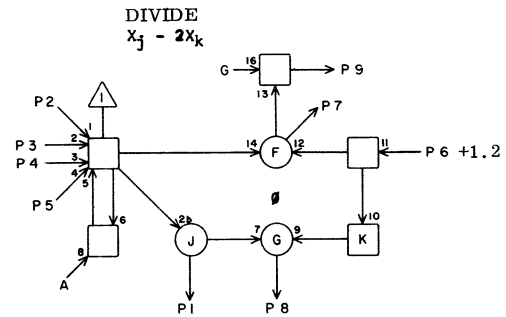
2M18



GC **2M19**

1			
2	M39	7	21
3	L34	5	17
4	L26	5	13
5	L18	5	9
6	Q32	5	23
7	R34	24	29
8	L19	9	7
9	R34	22	29
10	Q32	13	23
11	R34	26	29
12	L36	8	19
13	P18	2	15
14	R34	27	29
15			
16	M39	15	21
17	L19	20	7
18	L34	26	17
19	J26	6	17
20	L26	26	11
21	P18	13	15
22	L18	26	7
23	M39	22	21
24	L35	19	19
25	Q32	24	23
26	L27	19	13
27	L19	19	7
28			
	JACK	PIN	LG

63019700 Rev. H

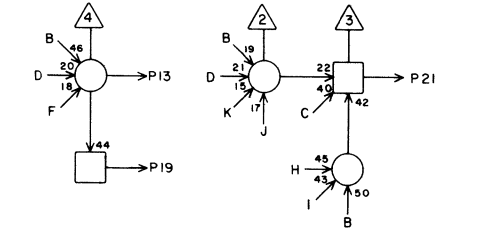
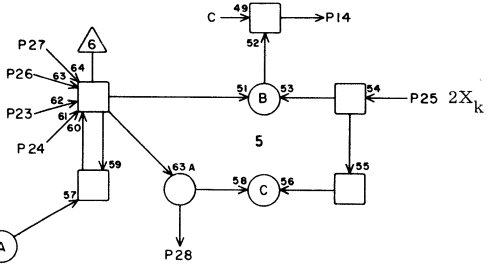
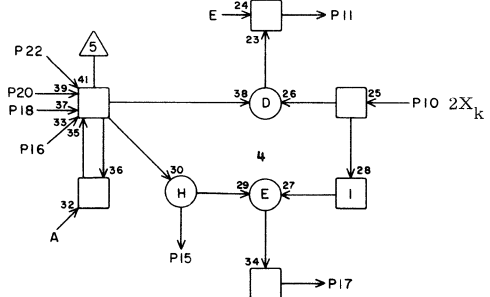
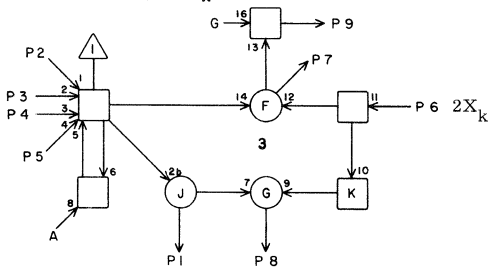


GC **2N20**

1			
2	L38	6	19
3	K42	23	25
4			
5			
6	M38	19	19
7	Q42	27	31
8	L20	9	7
9	Q42	26	31
10	Q19	14	19
11	R38	2	29
12	L36	9	19
13	P21	1	15
14	R38	3	29
15			
16	L38	5	19
17	L20	20	7
18			
19	K26	7	15
20			
21	P21	16	15
22			
23	L38	13	21
24	L28	12	13
25	Q19	12	19
26	L20	12	7
27	L12	12	13
28			
	JACK	PIN	LG

63019700 Rev. H

DIVIDE
 $X_j - 2X_k$



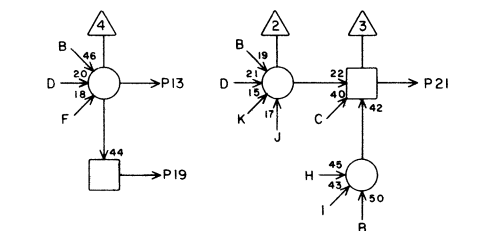
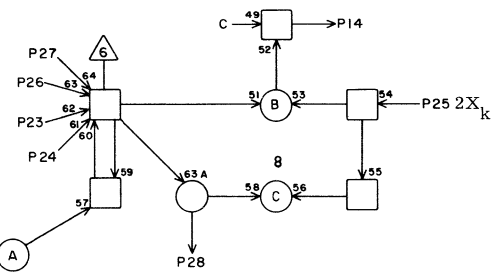
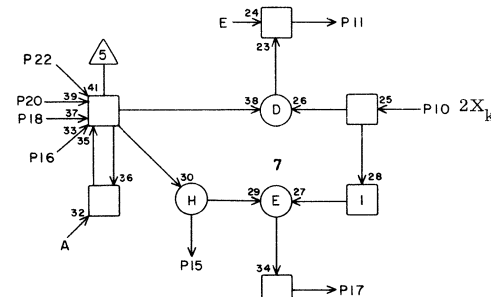
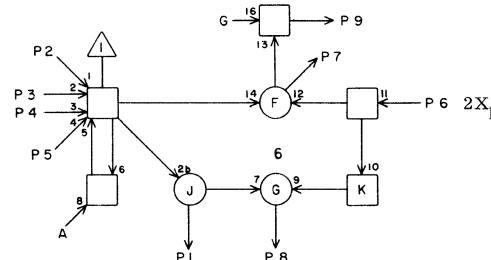
GC

2M21

1			
2	L38	24	21
3	L28	4	11
4	L20	4	7
5	L12	4	13
6	Q19	10	19
7	R38	5	29
8	L21	9	7
9	R38	7	29
10	Q19	8	19
11	R38	9	29
12	L36	10	17
13	P21	3	15
14	R38	11	29
15			
16	L38	23	21
17	L21	20	7
18	L28	27	13
19	K26	5	15
20	L20	27	9
21	P21	15	15
22	L12	27	13
23	L39	6	21
24	L29	12	13
25	Q19	16	19
26	L21	12	7
27	L13	12	13
28			
	JACK	PIN	LG

63019700 Rev. H

DIVIDE
 $X_j - 2X_k$



GC

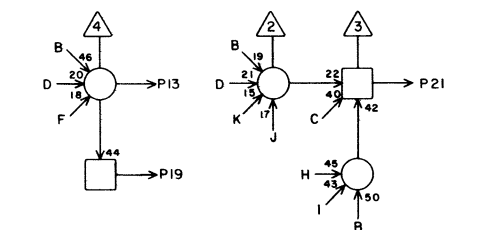
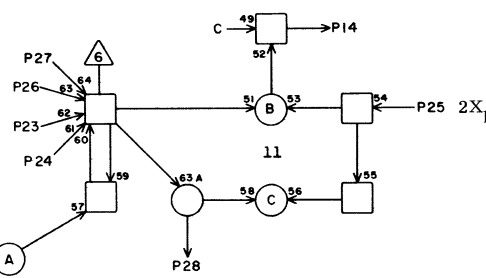
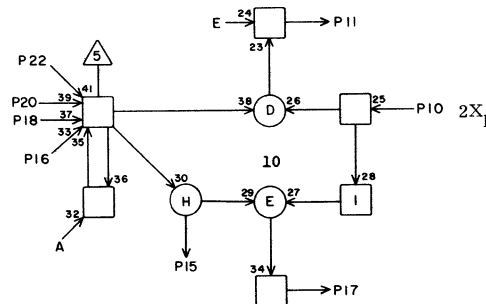
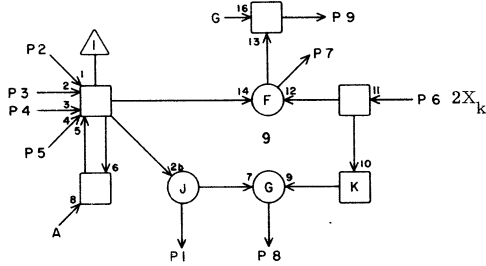
2M22

1			
2	L39	5	19
3	L29	4	11
4	L21	4	7
5	L13	4	13
6	Q19	18	19
7	R38	16	29
8	L22	9	7
9	R38	13	29
10	Q19	20	19
11	R38	18	29
12	L36	11	17
13	P21	4	15
14	R38	20	29
15			
16	L39	13	19
17	L22	20	7
18	L29	27	13
19			
20	L21	27	7
21	P21	5	15
22	L13	27	13
23	L39	24	19
24	L30	12	13
25	Q19	22	19
26	L22	12	7
27	L14	12	13
28			
	JACK	PIN	LG

63019700 Rev. H

2M22

DIVIDE
 $X_j - 2X_k$

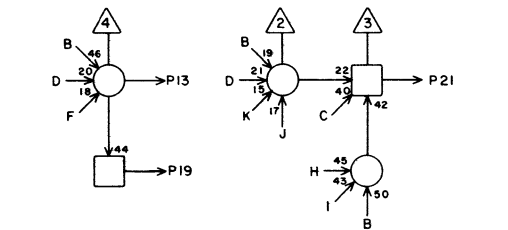
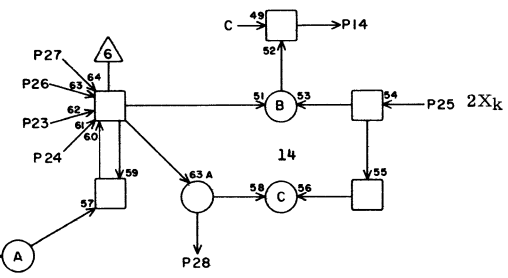
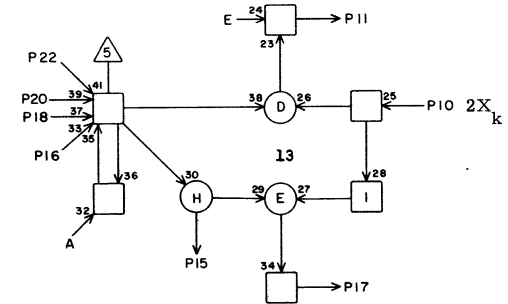
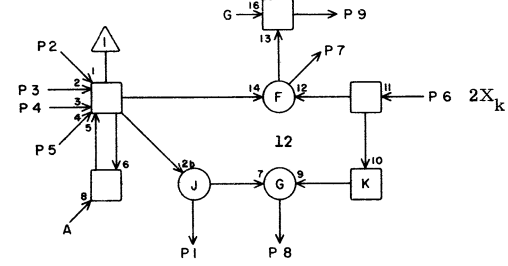


GC **2M23**

1			
2	L39	23	19
3	L30	4	13
4	L22	4	9
5	L14	4	13
6	Q20	14	19
7	R38	24	29
8	L23	9	7
9	R38	22	29
10	Q20	12	19
11	R38	26	29
12	L36	13	17
13	P22	2	15
14	R38	27	29
15			
16	L40	6	21
17	L23	20	7
18	L30	27	13
19	J26	3	17
20	L22	27	9
21	P22	13	15
22	L14	27	13
23	L40	5	21
24	L31	12	13
25	Q20	10	19
26	L23	12	7
27	L15	12	13
28			
	JACK	PIN	LG

63019700 Rev. H

DIVIDE
 $X_j - 2X_k$

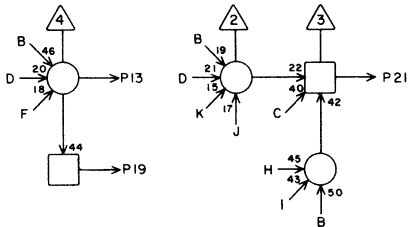
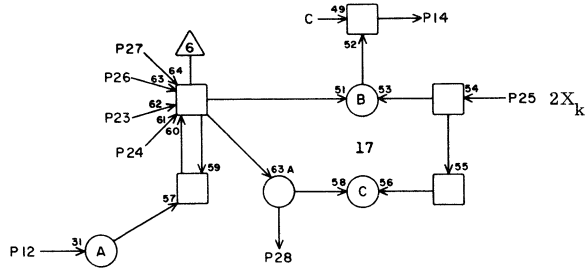
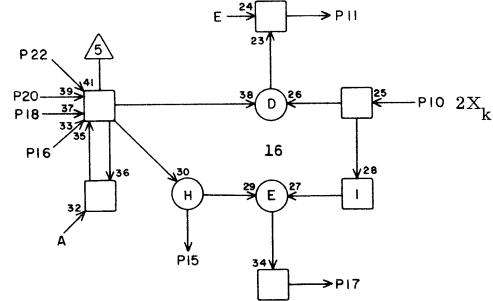
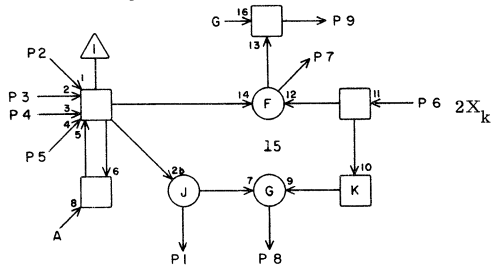


GC **2M24**

1			
2	L40	13	19
3	L31	4	11
4	L23	4	7
5	L15	4	13
6	Q20	8	19
7	R39	3	27
8	L24	9	7
9	R39	2	27
10	Q20	16	19
11	R39	5	27
12	L36	15	15
13	P22	1	13
14	R39	7	27
15			
16	L40	24	19
17	L24	20	7
18	L31	27	13
19	K27	26	13
20	L23	27	9
21	P22	16	13
22	L15	27	13
23	L40	23	19
24	L32	12	13
25	Q20	18	19
26	L24	12	9
27	L16	12	15
28			
	JACK	PIN	LG

63019700 Rev. H

DIVIDE
 $X_j - 2X_k$



GC

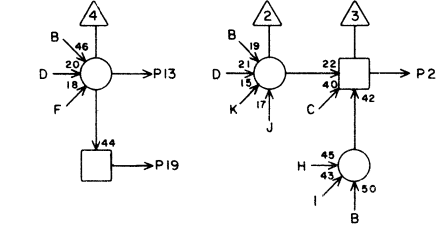
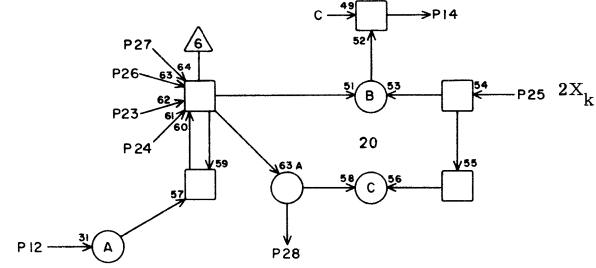
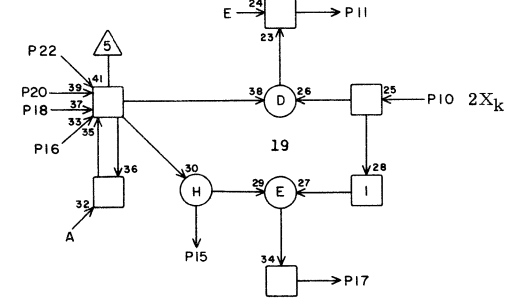
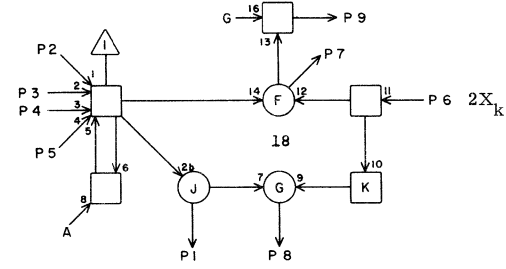
2M25

1			
2	L41	6	19
3	L32	4	11
4	L24	4	9
5	L16	4	13
6	Q20	20	19
7	R39	11	29
8	L25	9	7
9	R39	9	29
10	Q20	22	19
11	R39	13	29
12	L36	17	13
13	P22	3	15
14	R39	16	29
15			
16	L41	5	18
17	L25	20	7
18	L32	27	13
19	K27	25	11
20	L24	27	7
21	P22	15	15
22	L16	27	13
23	L41	13	18
24	L33	12	13
25	Q21	14	19
26	L25	12	9
27	L17	12	13
28			

JACK PIN LG

63019700 Rev.H

DIVIDE
 $X_j - 2X_k$



GC

2M26

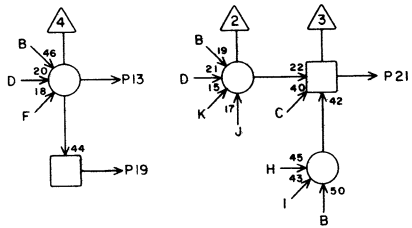
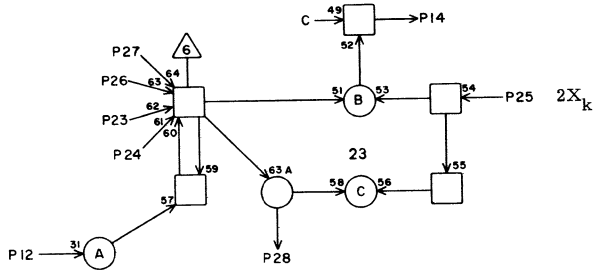
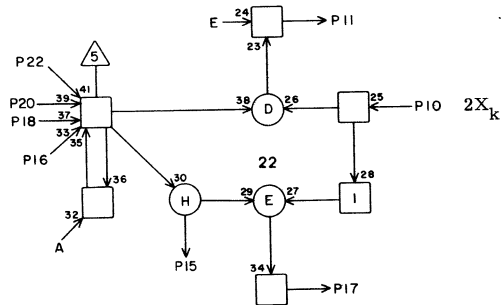
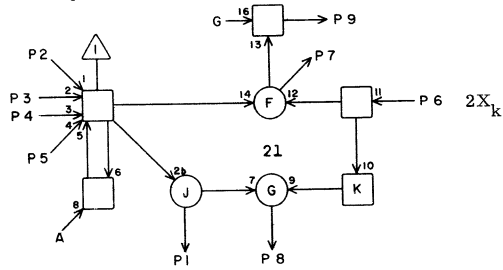
1			
2	L41	24	19
3	L33	4	11
4	L25	4	7
5	L17	4	13
6	Q21	12	19
7	R39	20	29
8	L26	9	7
9	R39	18	29
10	Q21	10	19
11	R39	22	29
12	L36	18	15
13	P22	4	15
14	R39	24	29
15			
16	L41	23	19
17	L26	20	7
18	L33	27	13
19			
20	L25	27	7
21	P22	5	15
22	L17	27	13
23	R39	6	17
24	L34	12	13
25	Q21	8	19
26	L26	12	7
27	L18	12	13
28			

JACK PIN LG

63019700 Rev. H

2M26

DIVIDE
 $X_j - 2X_k$



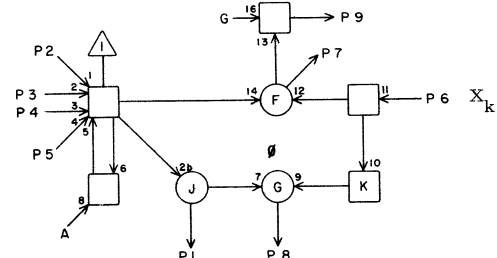
GC **2M27**

1			
2	M39	5	17
3	L34	4	11
4	L26	4	9
5	L18	4	13
6	Q21	16	19
7	R39	27	28
8	L27	9	7
9	R39	26	28
10	Q21	18	19
11	R40	2	27
12	L36	19	13
13	P23	2	15
14	R40	3	27
15			
16	M39	13	17
17	L27	20	9
18	L34	27	13
19	J26	26	15
20	L26	27	9
21	P23	13	15
22	L18	27	13
23	M39	24	17
24	L35	12	13
25	Q21	20	19
26	L27	12	7
27	L19	12	13
28			

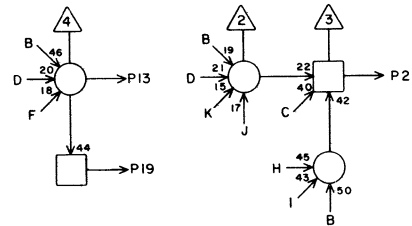
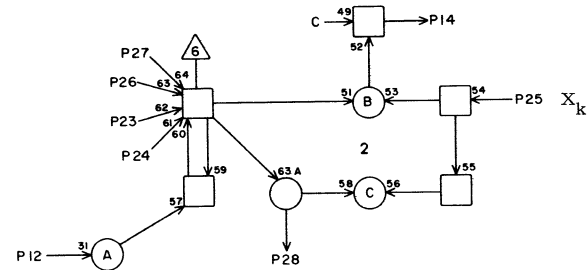
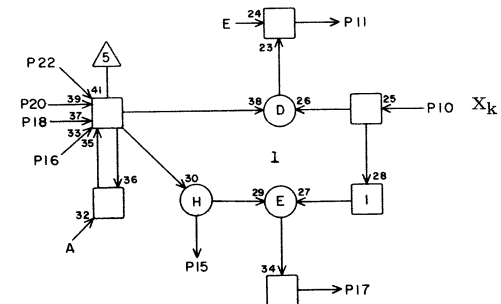
JACK PIN LG

63019700 Rev. H

DIVIDE
 $X_j - X_k$



NO CHANGE



GC **2M28**

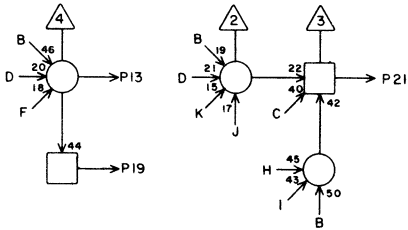
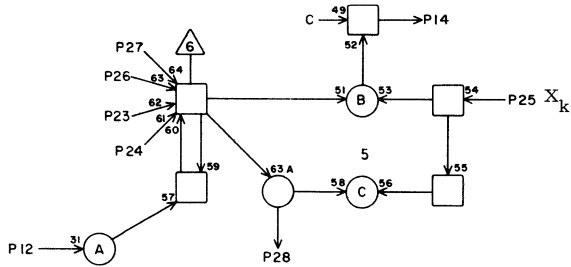
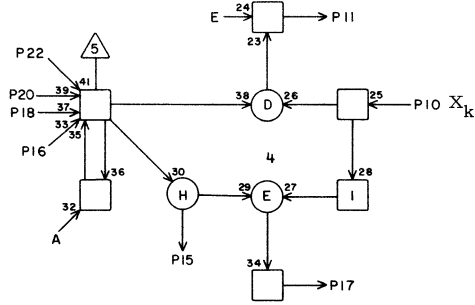
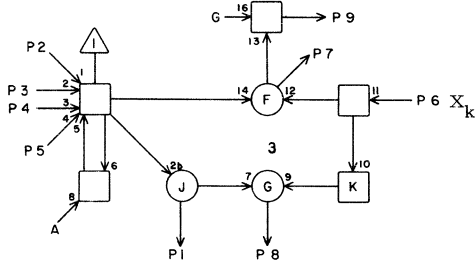
1	L42	8	17
2	L38	4	15
3	K42	25	17
4			
5			
6	Q19	13	21
7	P39	3	19
8	L28	9	9
9	P39	2	19
10	Q19	11	21
11	P39	5	19
12	L36	20	13
13	P26	1	15
14	P39	7	19
15	L42	2	17
16	L38	3	15
17	L28	20	7
18			
19	K31	7	13
20			
21	P26	16	15
22			
23	L38	17	15
24	L28	21	7
25	Q19	9	21
26	L20	21	13
27	L12	21	19
28	L42	5	17

JACK PIN LG

63019700 Rev. H

DIVIDE

$$X_j - X_k$$



GC

2M29

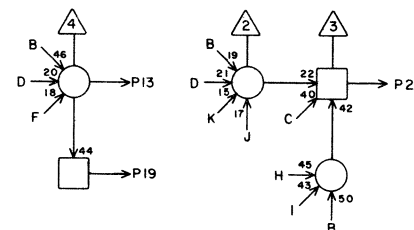
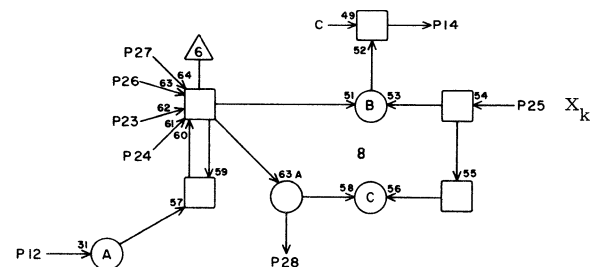
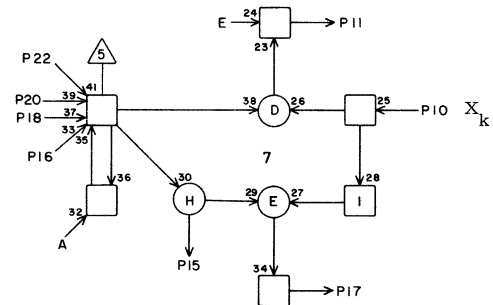
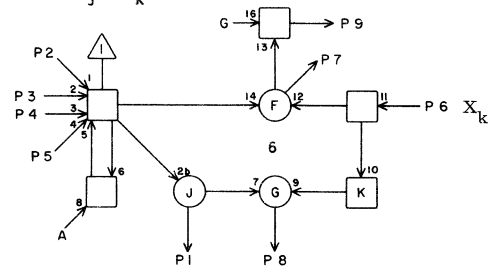
1	L42	1	17
2	L38	26	15
3	L28	1	9
4	L20	1	13
5	L12	1	19
6	Q19	7	21
7	P39	11	21
8	L29	9	7
9	P39	9	21
10	Q19	15	21
11	P39	13	21
12	L36	21	11
13	P26	3	15
14	P39	16	21
15	L42	22	17
16	L38	25	15
17	L29	20	7
18	L28	28	7
19	P39	5	13
20	L20	28	11
21	P26	15	15
22	L12	28	19
23	L39	4	13
24	L29	21	7
25	Q19	17	21
26	L21	21	13
27	L13	21	19
28	L42	21	17

JACK PIN LG

63019700 Rev. H

DIVIDE

$$X_j - X_k$$



GC

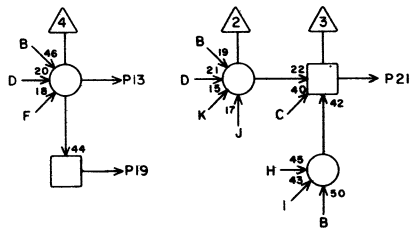
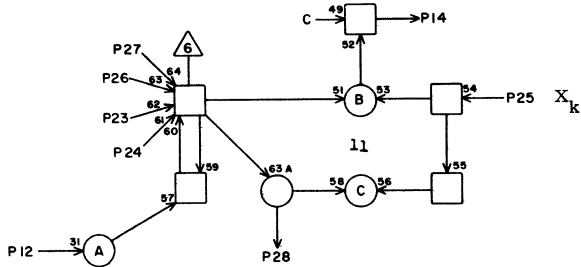
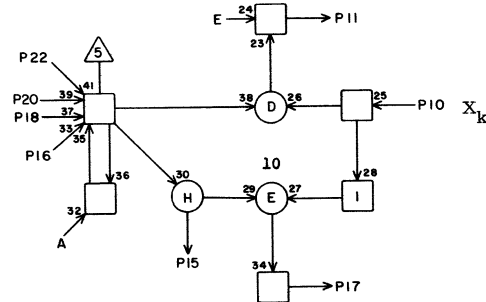
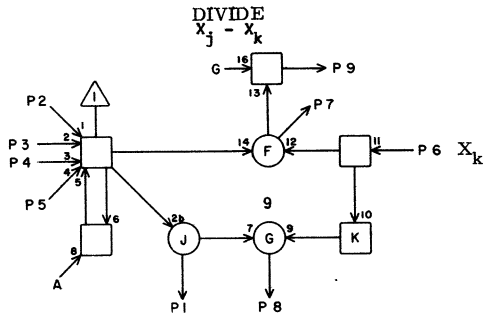
2M30

1	L42	23	17
2	L39	3	13
3	L29	1	9
4	L21	1	13
5	L13	1	19
6	Q19	19	23
7	P39	20	21
8	L30	9	7
9	P39	18	21
10	Q19	21	23
11	P39	22	21
12	L36	22	11
13	P26	4	15
14	P39	24	21
15	L42	24	17
16	L39	17	15
17	L30	20	7
18	L29	28	7
19			
20	L21	28	13
21	P26	5	15
22	L13	28	19
23	L39	26	15
24	L30	21	7
25	Q20	13	23
26	L22	21	11
27	L14	21	19
28	L42	25	17

JACK PIN LG

63019700 Rev. H

2M30

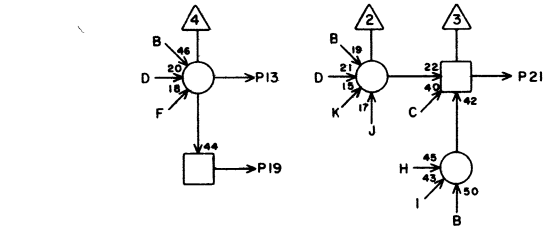
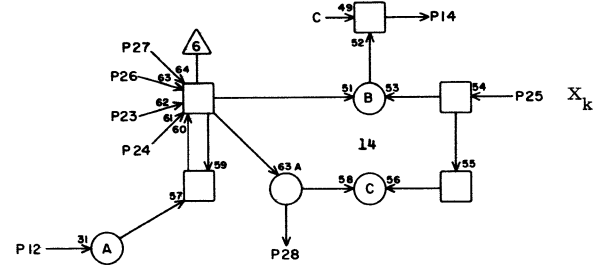
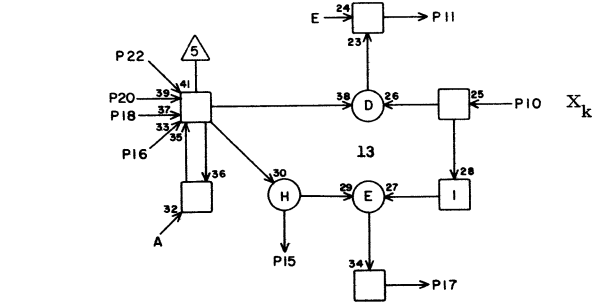
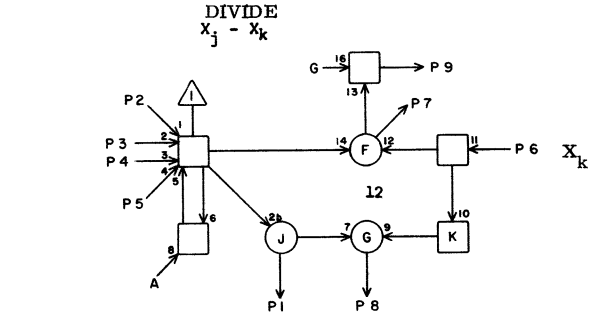


GC **2M31**

1	L42	26	15
2	L39	25	15
3	L30	1	9
4	L22	1	11
5	L14	1	19
6	Q20	11	23
7	P39	27	21
8	L31	9	7
9	P39	26	21
10	Q20	9	23
11	P40	2	19
12	L36	23	11
13	P27	2	15
14	P40	3	19
15	L42	27	15
16	L40	4	15
17	L31	20	7
18	L30	28	7
19	J26	25	15
20	L22	28	11
21	P27	13	15
22	L14	28	19
23	L40	3	15
24	L31	21	9
25	Q20	7	23
26	L23	21	13
27	L15	21	19
28	L42	28	15

JACK PIN LG

63019700 Rev. H



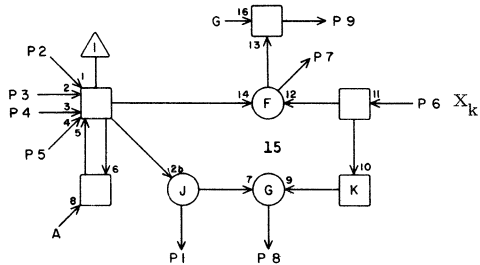
GC **2M32**

1	M41	8	120
2	L40	17	13
3	L31	1	7
4	L23	1	13
5	L15	1	19
6	Q20	15	23
7	P40	7	19
8	L32	9	7
9	P40	5	19
10	Q20	17	23
11	P40	9	19
12	L36	24	9
13	P27	1	15
14	P40	11	19
15	M41	2	120
16	L40	26	13
17	L32	20	7
18	L31	28	7
19	K32	26	11
20	L23	28	13
21	P27	16	17
22	L15	28	19
23	L40	25	13
24	L32	21	9
25	Q20	19	23
26	L24	21	13
27	L16	21	19
28	M41	5	120

JACK PIN LG

63019700 Rev. H

DIVIDE
 $X_j - X_k$



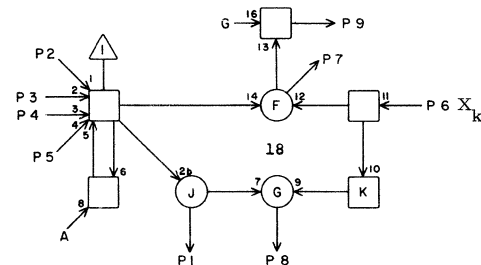
GC **2M33**

1	M41	1	120
2	L41	4	13
3	L32	1	9
4	L24	1	13
5	L16	1	19
6	Q20	21	23
7	P40	16	19
8	L33	9	7
9	P40	13	19
10	Q21	13	23
11	P40	18	19
12	L36	25	9
13	P27	3	17
14	P40	20	19
15	M41	22	120
16	L41	3	13
17	L33	20	7
18	L32	28	7
19	K32	25	11
20	L24	28	13
21	P27	15	17
22	L16	28	19
23	L41	17	13
24	L33	21	7
25	Q21	11	23
26	L25	21	13
27	L17	21	19
28	M41	21	120

JACK PIN LG

63019700 Rev. H

DIVIDE
 $X_j - X_k$



GC **2M34**

1	M41	23	120
2	L41	26	13
3	L33	1	7
4	L25	1	13
5	L17	1	19
6	Q21	9	23
7	P40	24	19
8	L34	9	7
9	P40	22	19
10	Q21	7	23
11	P40	26	19
12	L36	26	5
13	P27	4	17
14	P40	27	19
15	M41	24	120
16	L41	25	13
17	L34	20	7
18	L33	28	7
19			
20	L25	28	13
21	P27	5	15
22	L17	28	19
23	M39	4	11
24	L34	21	7
25	Q21	15	23
26	L26	21	13
27	L18	21	19
28	M41	25	120

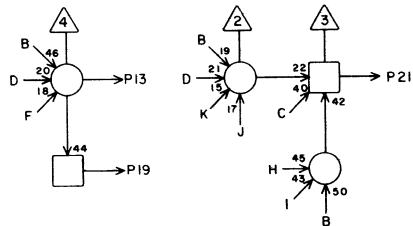
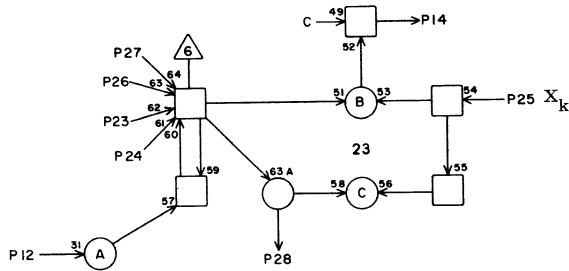
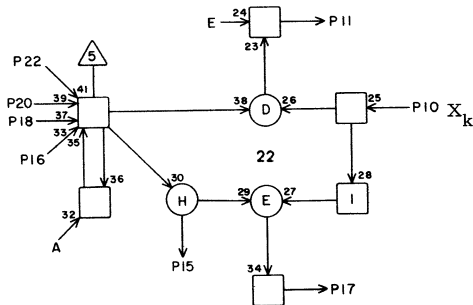
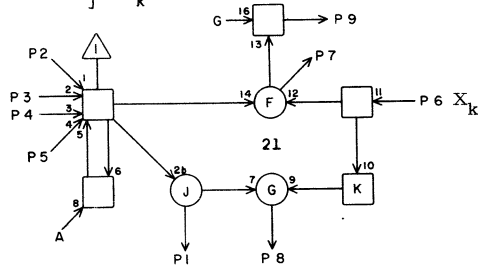
JACK PIN LG

63019700 Rev. H

2M34

DIVIDE

$$X_j - X_k$$



GC

2M35

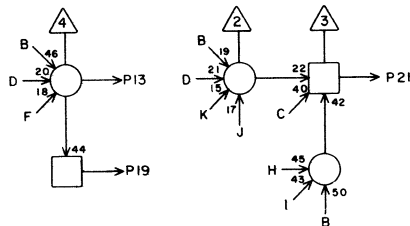
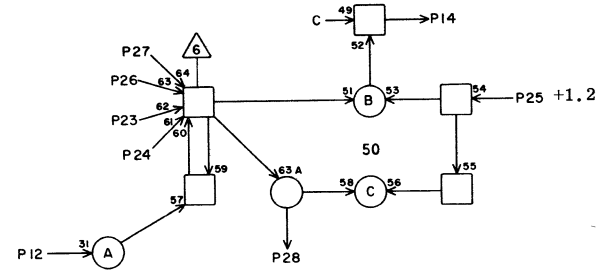
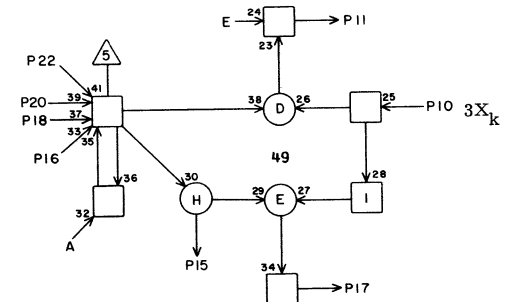
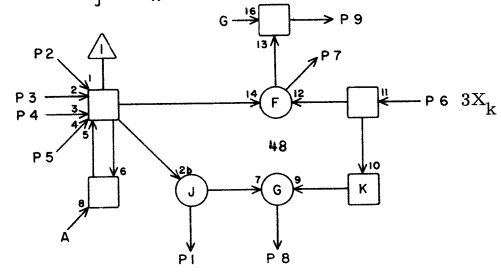
1	M41	26	120
2	M39	3	9
3	L34	1	7
4	L26	1	13
5	L18	1	19
6	Q21	17	23
7	P41	3	17
8	L35	9	7
9	P41	2	17
10	Q21	19	23
11	P41	5	17
12	L36	27	7
13	P28	2	17
14	P41	7	17
15	M41	27	120
16	M39	17	11
17	L35	20	7
18	L34	28	7
19	J26	28	17
20	L26	28	13
21	P28	13	17
22	L18	28	19
23	M39	26	9
24	L35	21	9
25	Q21	21	23
26	L27	21	13
27	L19	21	19
28	M41	28	120

JACK PIN LG

63019700 Rev. H

DIVIDE

$$X_j - 3X_k$$



GC

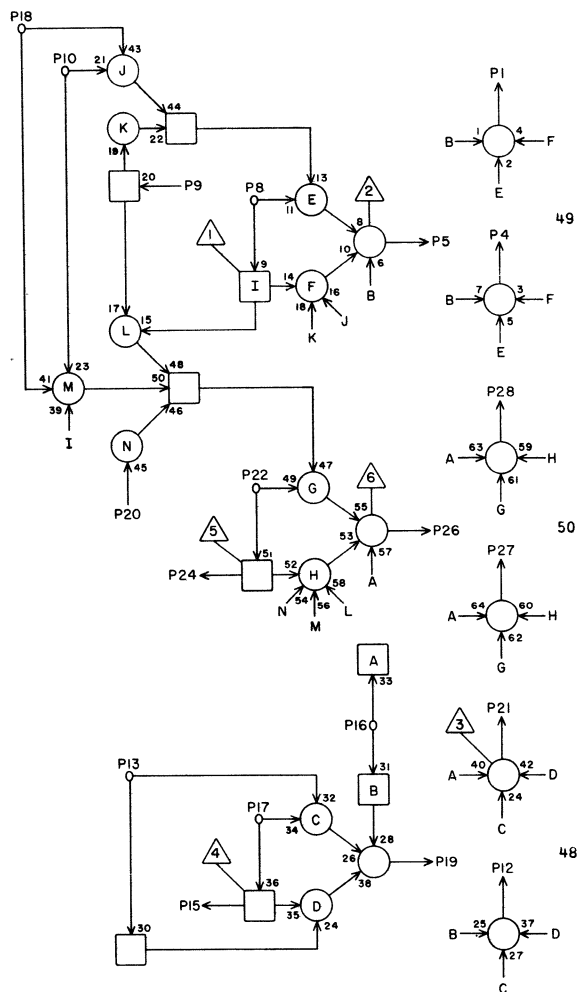
2M36

1			
2	O40	22	13
3	N35	5	9
4	N27	5	13
5	N19	5	19
6	Q41	5	19
7	Q18	11	27
8	M37	9	5
9	Q18	9	27
10	Q41	13	19
11	Q18	13	27
12	L36	28	5
13	P20	1	21
14	Q18	16	27
15			
16	O40	21	13
17	M37	20	3
18	N35	26	9
19	K23	7	17
20	N27	26	13
21	P20	16	23
22	N19	26	19
23			
24	O27	19	11
25	M38	20	5
26	N37	19	7
27	M37	19	5
28			

JACK PIN LG

63019700 Rev. H

DIVIDE
 $X_j - 3X_k$

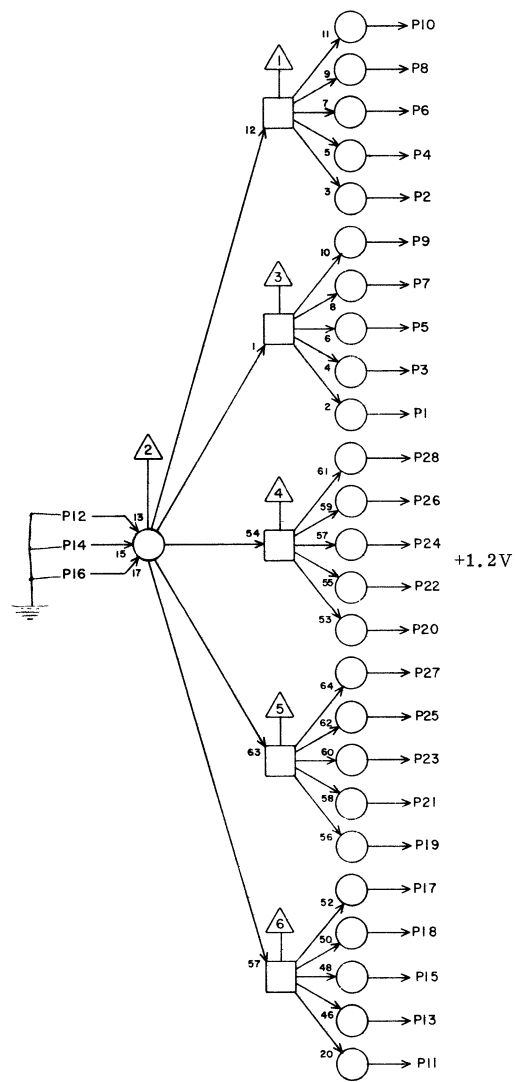


GD **2M37**

1			
2			
3			
4			
5			
6			
7			
8	Q18	14	29
9	M36	8	5
10	Q18	12	29
11			
12	M36	27	9
13	P20	23	23
14			
15			
16	K16	21	23
17	Q18	10	29
18	P20	24	23
19	M36	27	5
20	M36	17	3
21	O36	27	13
22	Q18	15	29
23			
24			
25			
26			
27			
28			

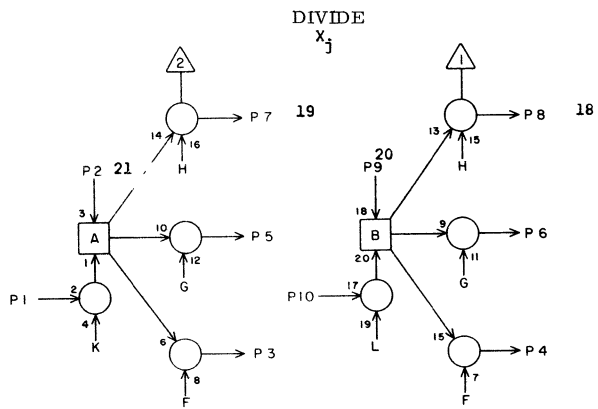
JACK PIN LG

CA **2M38**



1	L38	1	9
2	L38	10	9
3			
4	D12	24	43
5	D12	28	43
6			
7			
8			
9			
10			
11			
12		Grd	2
13			
14		Grd	2
15			
16		Grd	2
17			
18			
19	M20	6	19
20	M36	25	5
21	P25	3	19
22	P25	4	19
23	P25	5	19
24	P25	15	19
25	P30	3	17
26	P30	4	17
27	P30	5	17
28	P30	15	17

JACK PIN LG

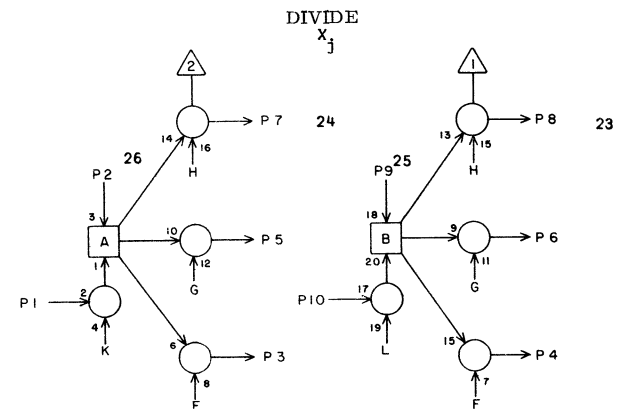


GF 2M39

1	M41	16	5
2	N06	3	33
3	M35	2	9
4	M34	23	11
5	M27	2	17
6	M26	23	17
7	M19	2	21
8	M18	23	23
9	N06	1	33
10	M41	13	5
11	M41	15	5
12	N06	5	33
13	M27	16	17
14	O08	23	33
15	M19	16	21
16	N42	8	9
17	M35	16	11
18	K19	9	23
19	M41	17	5
20	N07	1	33
21	O12	2	29
22	M19	23	21
23	O20	2	23
24	M27	23	17
25	O28	2	17
26	M35	23	9
27	N06	7	33
28	M41	18	5

JACK PIN LG

63019700 Rev. H



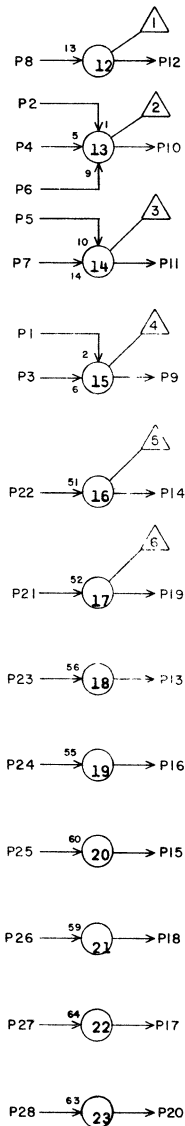
GF 2M40

1	N41	12	9
2	N07	5	33
3	O28	23	19
4	O28	16	19
5	O20	23	23
6	O20	16	23
7	O12	23	31
8	O12	16	31
9	N07	3	33
10	M41	20	5
11	N41	10	7
12	N07	7	33
13	O21	2	23
14	O08	24	33
15	O13	2	29
16	N42	9	7
17	O29	2	17
18	K19	10	23
19	N41	9	5
20	N08	3	33
21	O13	23	29
22	O13	16	29
23	O21	23	23
24	O21	16	23
25	O29	23	17
26	O29	16	17
27	N08	1	33
28	M41	11	5

JACK PIN LG

63019700 Rev. H

NO CHANGE PATH

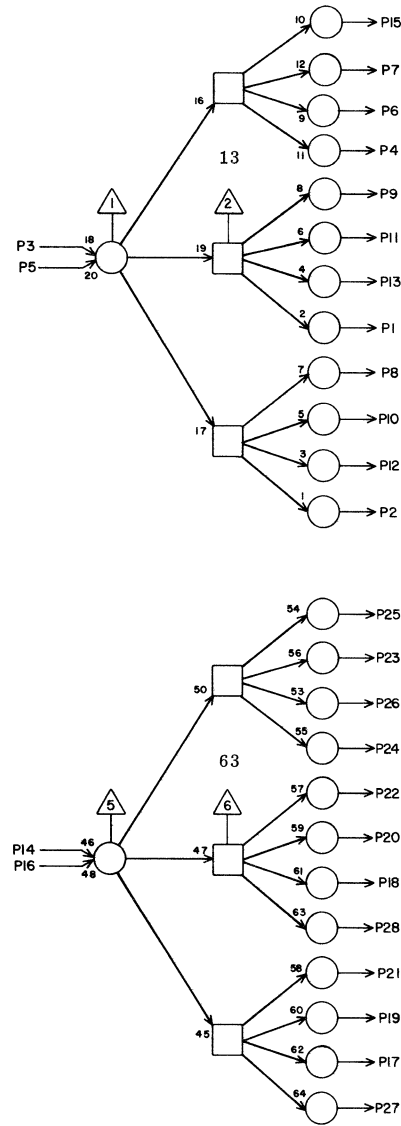


TL

2M41

1	M33	1	120
2	M32	15	120
3			
4			
5	M32	28	120
6			
7			
8	M32	1	120
9	L41	11	9
10	L41	10	9
11	L41	1	9
12	L40	19	9
13	M39	10	5
14	L41	28	9
15	M39	11	5
16	M39	1	5
17	M39	19	5
18	M39	28	5
19	L41	19	9
20	M40	10	5
21	M33	28	120
22	M33	15	120
23	M34	1	120
24	M34	15	120
25	M34	28	120
26	M35	1	120
27	M35	15	120
28	M35	28	120
	JACK	PIN	LG

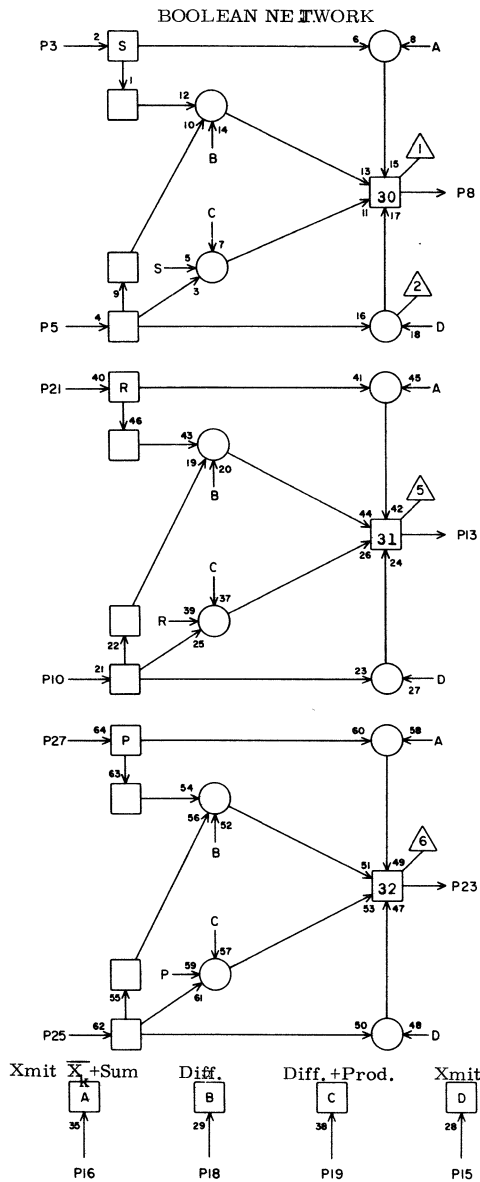
CLOCK FANOUTS



TC

2M42

1			
2			
3	I22	4	27
4			
5			
6			
7			
8			
9			
10			
11			
12			
13			
14	I22	22	27
15	J25	3	23
16			
17			
18			
19			
20			
21			
22			
23			
24			
25			
26	J24	3	23
27			
28			
	JACK	PIN	LG

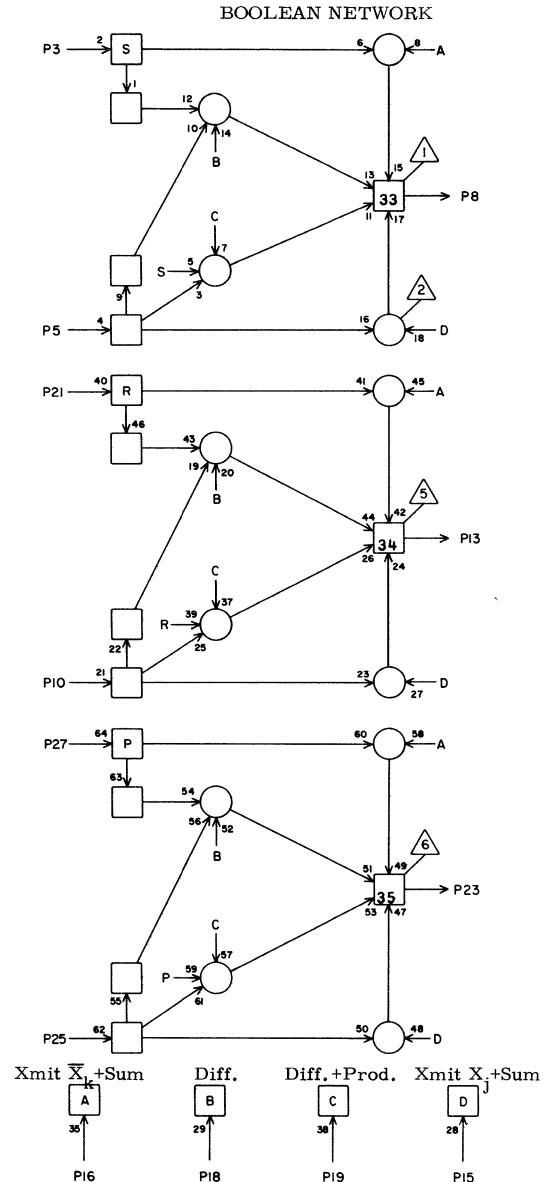


GB 2N01

1			
2			
3	P08	19	15
4			
5	N08	19	11
6			
7			
8	M01	4	9
9			
10	N08	17	11
11			
12			
13	M01	6	9
14			
15	O04	6	7
16	O01	6	5
17			
18	O02	6	7
19	O03	6	5
20			
21	P08	17	15
22			
23	M01	12	9
24			
25	N09	25	11
26			
27	P09	25	15
28			

JACK PIN LG

63019700 Rev. H



GB 2N02

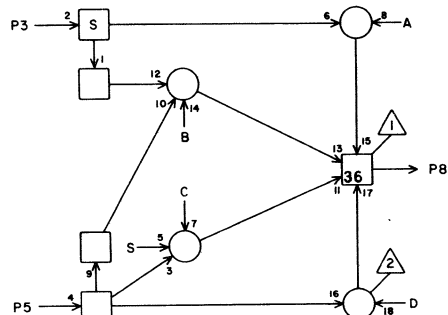
1			
2			
3	P09	21	15
4			
5	N09	21	11
6			
7			
8	M01	22	5
9			
10	N09	19	11
11			
12			
13	M01	16	7
14			
15	O04	7	7
16	O01	7	5
17			
18	O02	7	5
19	O03	7	5
20			
21	P09	19	15
22			
23	M01	26	7
24			
25	N09	17	11
26			
27	P09	17	13
28			

JACK PIN LG

63019700 Rev.H

2N02

BOOLEAN NETWORK

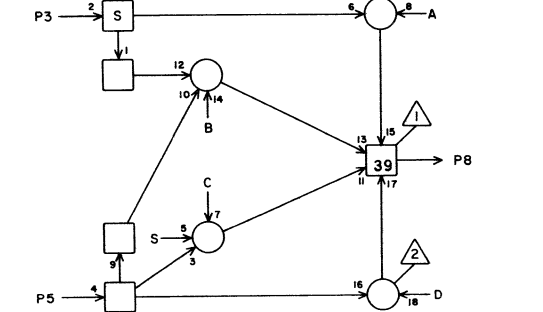


GB **2N03**

1			
2			
3	P10	25	15
4			
5	N10	25	11
6			
7			
8	M02	4	9
9			
10	N10	21	11
11			
12			
13	M02	6	9
14			
15	004	8	5
16	001	8	7
17			
18	002	8	5
19	003	8	5
20			
21	P10	21	15
22			
23	M02	12	9
24			
25	N10	19	11
26			
27	P10	19	15
28			

JACK PIN LG
63019700 Rev. H

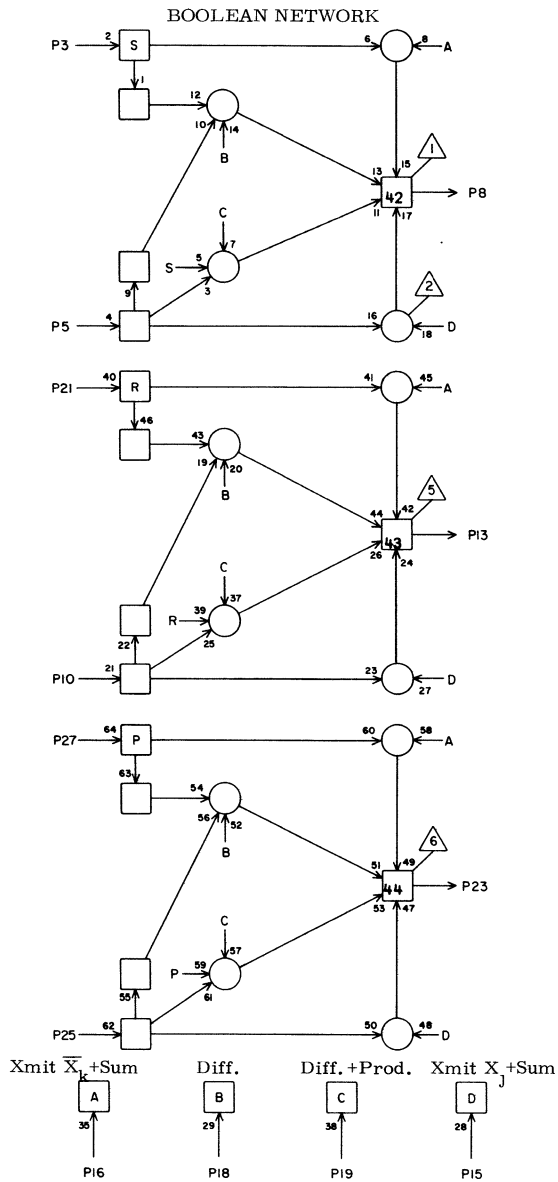
BOOLEAN NETWORK



GB **2N04**

1			
2			
3	P10	17	15
4			
5	N10	17	9
6			
7			
8	M02	22	7
9			
10	L06	25	11
11			
12			
13	M02	16	9
14			
15	004	9	5
16	001	9	9
17			
18	002	9	5
19	003	9	5
20			
21	M06	25	9
22			
23	M02	26	9
24			
25	L06	21	13
26			
27	M06	21	9
28			

JACK PIN LG
63019700 Rev. H

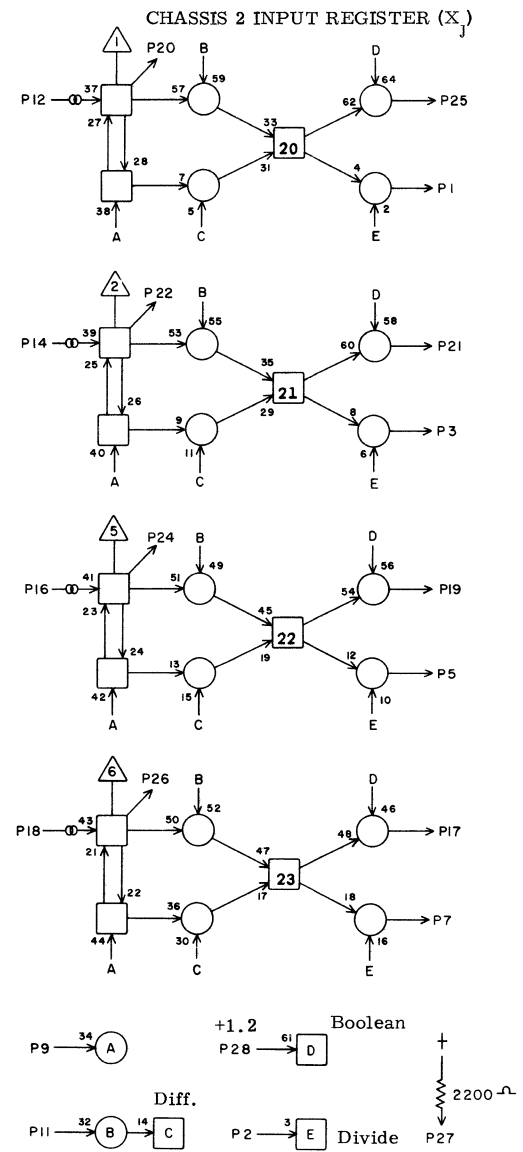


GB 2N05

1			
2			
3	M06	19	5
4			
5	L06	19	11
6			
7			
8	M03	4	9
9			
10	L06	17	11
11			
12			
13	M03	6	9
14			
15	004	10	7
16	001	10	9
17			
18	002	10	9
19	003	10	7
20			
21	M06	17	9
22			
23	M03	12	9
24			
25	L07	25	13
26			
27	M07	25	9
28			

JACK PIN LG

63019700 Rev. H



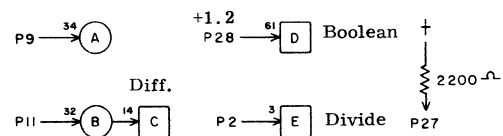
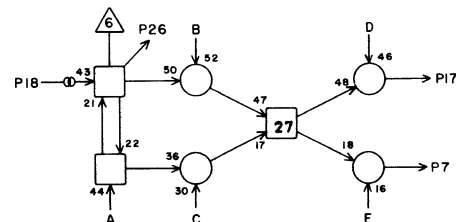
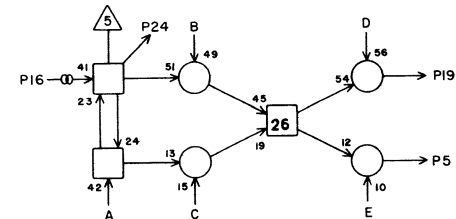
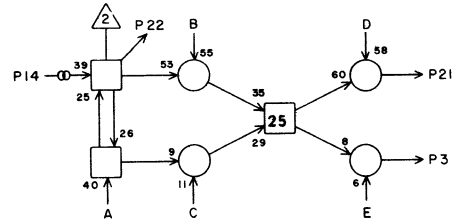
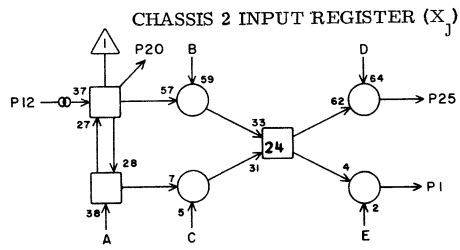
2N06

GA 2N06

1	M39	9	33
2	008	6	9
3	M39	2	33
4			
5	M39	12	33
6			
7	M30	27	33
8			
9	005	24	9
10			
11	006	6	5
12	W30	905	
13			
14	W30	906	
15			
16	W30	907	
17	P03	25	13
18	W31	90	
19	P03	10	15
20			
21	P03	5	11
22			
23			
24			
25	P02	25	13
26			
27			
28	007	6	5

JACK PIN LG

63019700 Rev. H

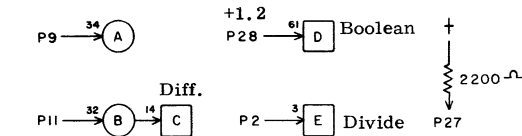
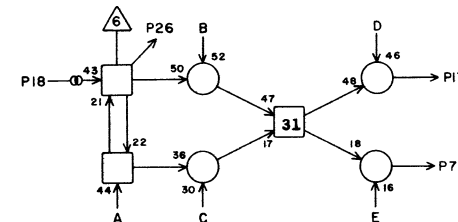
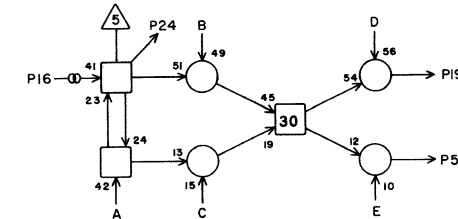
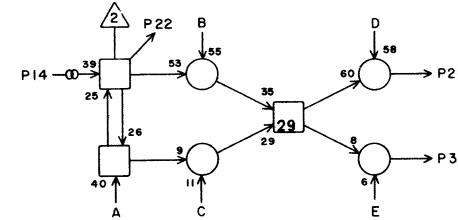
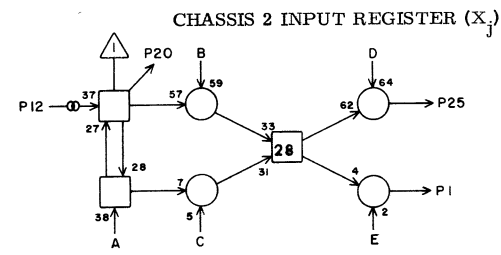


GA **2N07**

1	H39	20	33
2	008	7	9
3	H40	9	33
4			
5	H40	2	33
6			
7	H40	12	33
8			
9	005	20	9
10			
11	006	7	5
12	W31	91	
13			
14	W31	92	
15			
16	W31	93	
17	P05	5	11
18	W31	94	
19	P04	25	13
20			
21	P04	10	11
22			
23			
24			
25	P04	5	13
26			
27			
28	007	7	5

JACK PIN LG

63019700 Rev. H



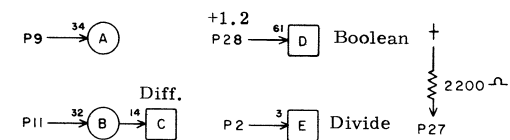
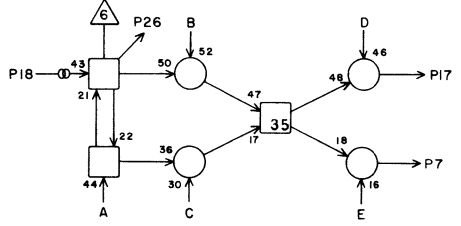
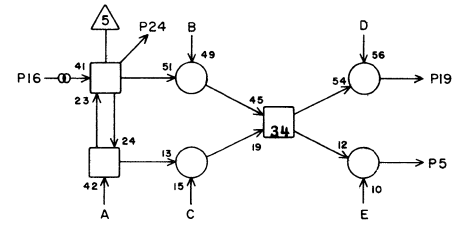
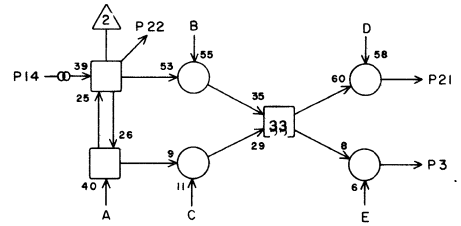
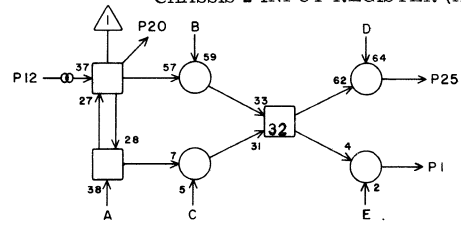
GA **2N08**

1	H40	27	33
2	008	8	9
3	H40	20	33
4			
5	H39	9	31
6			
7	H39	2	31
8			
9	005	23	9
10			
11	006	8	9
12	W31	95	
13			
14	W31	96	
15			
16	W31	97	
17	W01	10	11
18	W31	98	
19	W01	5	11
20			
21	P05	25	13
22			
23			
24			
25	P05	10	11
26			
27			
28	007	8	5

JACK PIN LG

63019700 Rev. H

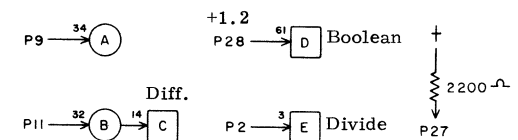
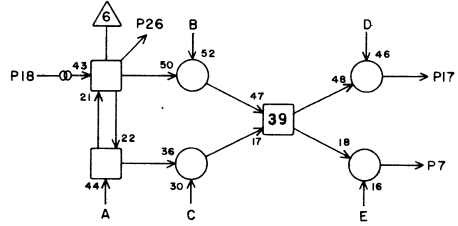
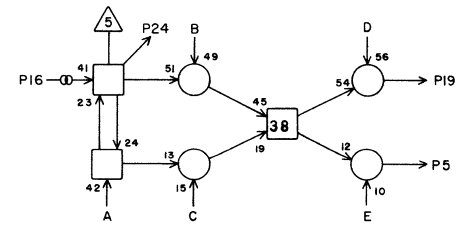
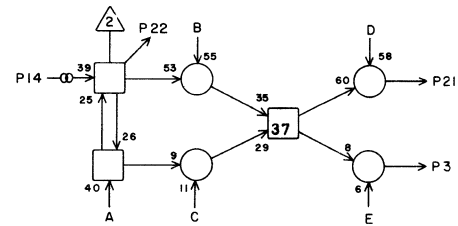
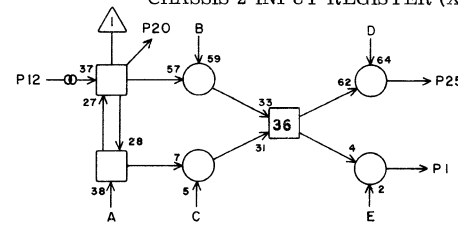
CHASSIS 2 INPUT REGISTER (X_j)



GA **2N09**

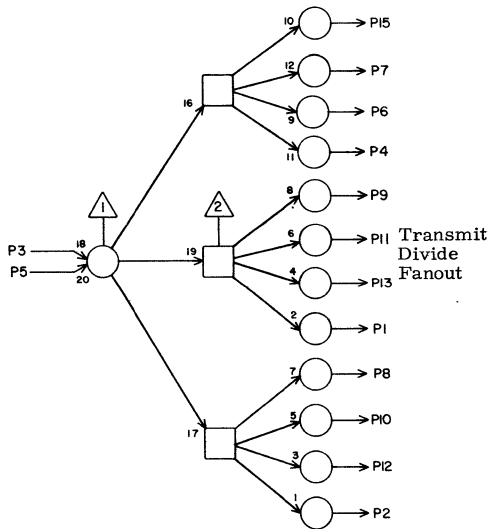
1	N39	12	29
2	008	9	9
3	N39	27	29
4			
5	N39	20	29
6			
7	N40	9	29
8			
9	005	9	9
10			
11	006	9	9
12	W31	99	
13			
14	W31	900	
15			
16	W31	901	
17	N02	25	11
18	W31	902	
19	N02	10	11
20			
21	N02	5	11
22			
23			
24			
25	N01	25	11
26			
27			
28	007	9	5
	JACK	PIN	LG

CHASSIS 2 INPUT REGISTER (X_j)



GA **2N10**

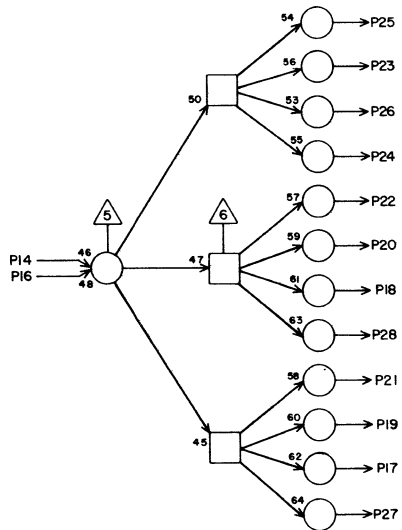
1	N40	2	29
2	008	10	9
3	N40	12	29
4			
5	N40	27	29
6			
7	N40	20	29
8			
9	005	10	11
10			
11	006	10	11
12	W31	903	
13			
14	W31	904	
15			
16	W31	905	
17	N04	5	9
18	W31	906	
19	N03	25	11
20			
21	N03	10	11
22			
23			
24			
25	N03	5	11
26			
27			
28	007	10	7
	JACK	PIN	LG



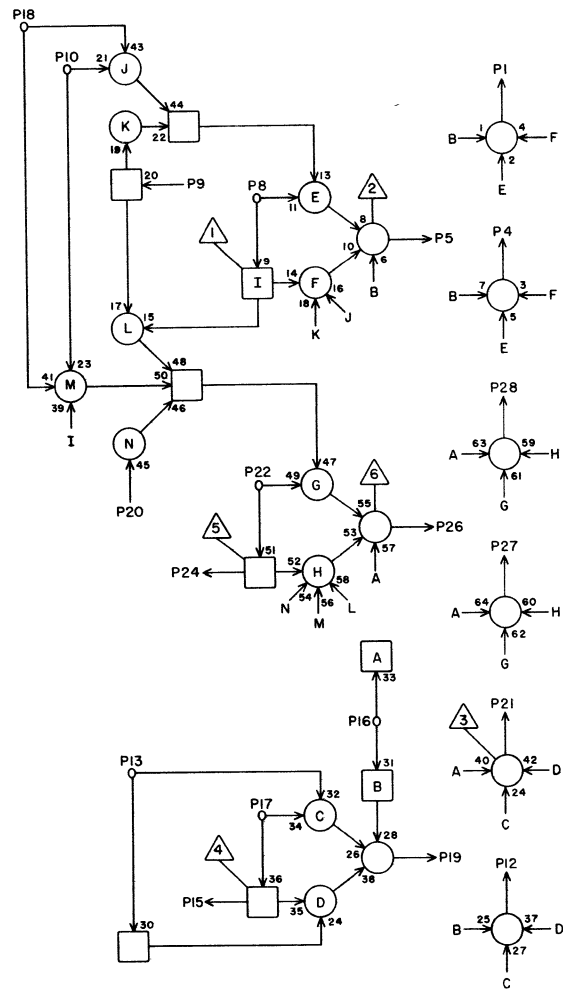
TC 2N11

1			
2			
3	L11	3	11
4	F24	2	35
5			
6	F24	1	35
7	E10	8	35
8			
9	F24	10	35
10			
11	F24	15	35
12			
13			
14			
15	J02	15	21
16			
17			
18			
19			
20			
21			
22			
23			
24			
25			
26			
27			
28			

JACK PIN LG



DIVIDE
 $X_j - 3X_k$

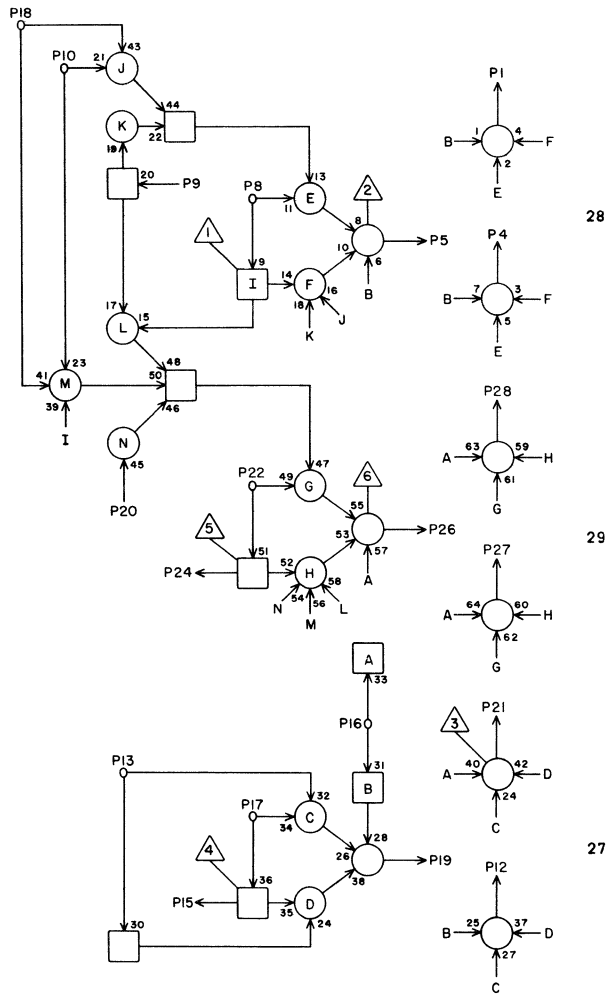


GD 2N12

1	029	5	21
2			
3			
4	021	5	15
5	013	5	9
6			
7			
8	Q16	6	17
9	012	8	7
10	Q16	4	17
11			
12	020	27	13
13	P18	23	15
14			
15			
16	K16	9	15
17	Q16	1	17
18	P18	24	15
19	012	27	9
20	012	17	7
21	028	27	19
22	Q16	8	17
23			
24			
25			
26	013	22	7
27	021	22	13
28	029	22	19

JACK PIN LG

DIVIDE
 $x_j - 3x_k$



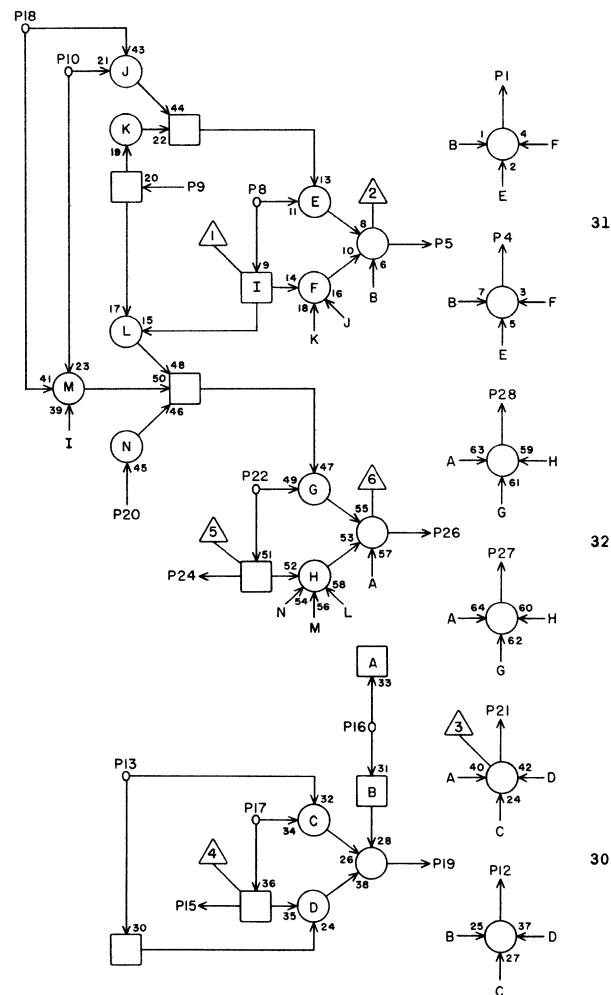
28

29

27

GD		2N13	
1	030	5	19
2			
3			
4	022	5	13
5	014	5	9
6			
7			
8	Q16	14	17
9	013	8	7
10	Q16	12	17
11			
12	021	27	13
13	P18	2/	13
14			
15			
16	K16	10	15
17	Q16	10	17
18	P18	22	13
19	013	27	9
20	013	17	7
21	029	27	19
22	Q16	15	17
23			
24			
25			
26	014	22	7
27	022	22	13
28	030	22	19
	JACK	PIN	LG

DIVIDE
 $x_j - 3x_k$



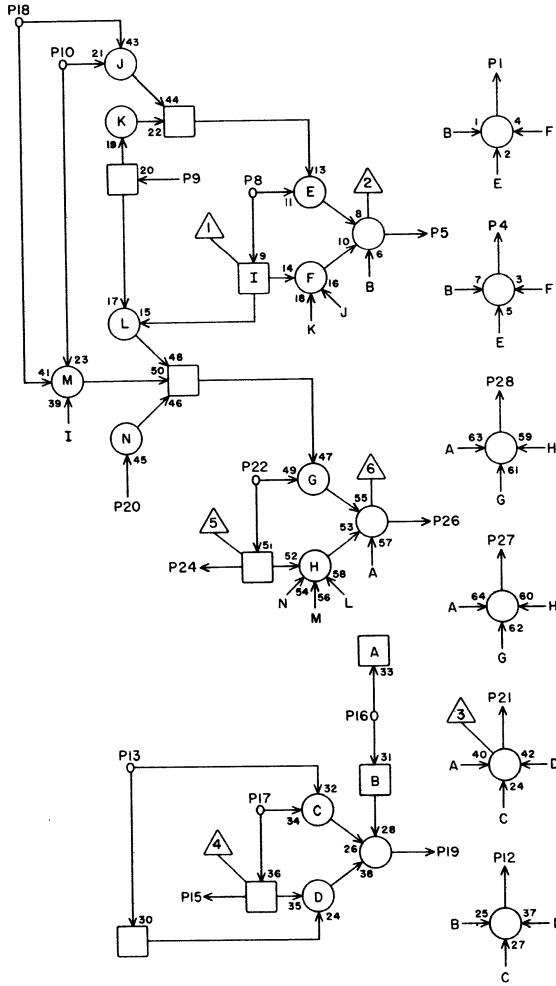
31

32

30

GD		2N14	
1	031	5	19
2			
3			
4	023	5	13
5	015	5	9
6			
7			
8	Q16	21	17
9	014	8	7
10	Q16	19	17
11			
12	022	27	13
13	P18	17	13
14			
15			
16	K16	11	15
17	Q16	17	17
18	P18	20	13
19	014	27	9
20	014	17	7
21	030	27	19
22	Q16	23	17
23			
24			
25			
26	015	22	7
27	023	22	13
28	031	22	19
	JACK	PIN	LG

DIVIDE
 $x_j - 3x_k$



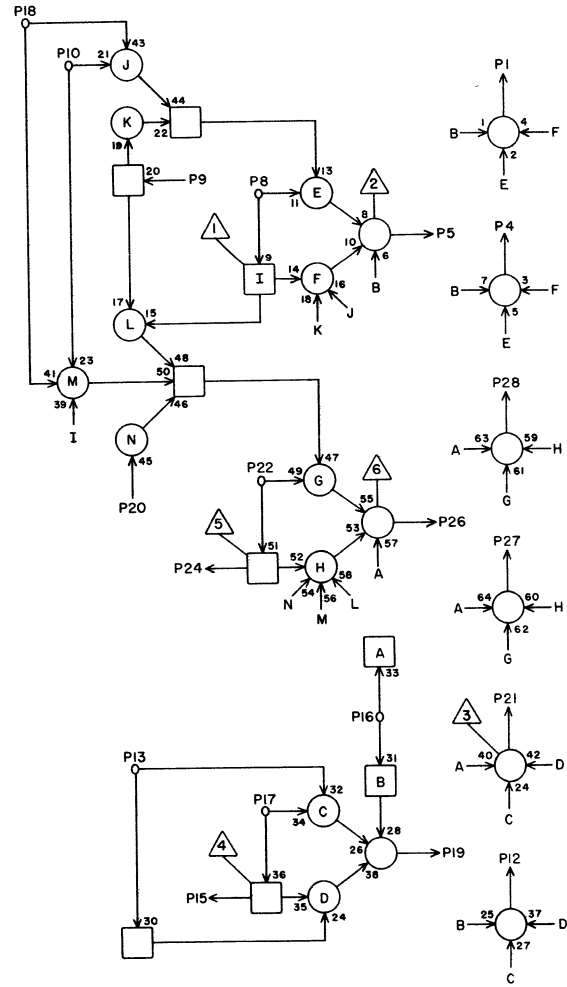
GD **2N15**

1	032	5	21
2			
3			
4	024	5	13
5	016	5	9
6			
7			
8	Q17	1	17
9	015	8	7
10	Q16	28	17
11			
12	023	27	13
13	P19	26	13
14			
15			
16	K16	13	15
17	Q16	25	17
18	P19	28	13
19	015	27	9
20	015	17	7
21	031	27	19
22	Q17	4	17
23			
24			
25			
26	016	22	7
27	024	22	13
28	032	22	21

JACK PIN LG

63019700 Rev. H

DIVIDE
 $x_j - 3x_k$



GD **2N16**

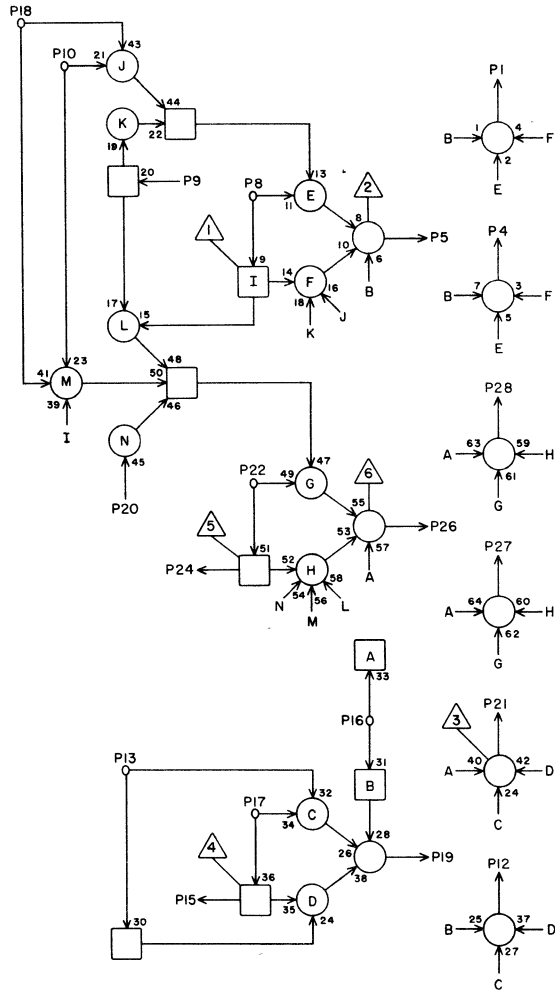
1	033	5	19
2			
3			
4	025	5	13
5	017	5	9
6			
7			
8	Q17	10	17
9	016	8	7
10	Q17	8	17
11			
12	024	27	13
13	P19	23	13
14			
15			
16	K16	15	15
17	Q17	6	17
18	P19	24	13
19	016	27	9
20	016	17	7
21	032	27	19
22	Q17	12	17
23			
24			
25			
26	017	22	7
27	025	22	13
28	033	22	19

JACK PIN LG

63019700 Rev.H

2N16

DIVIDE
 $X_j - 3X_k$



40

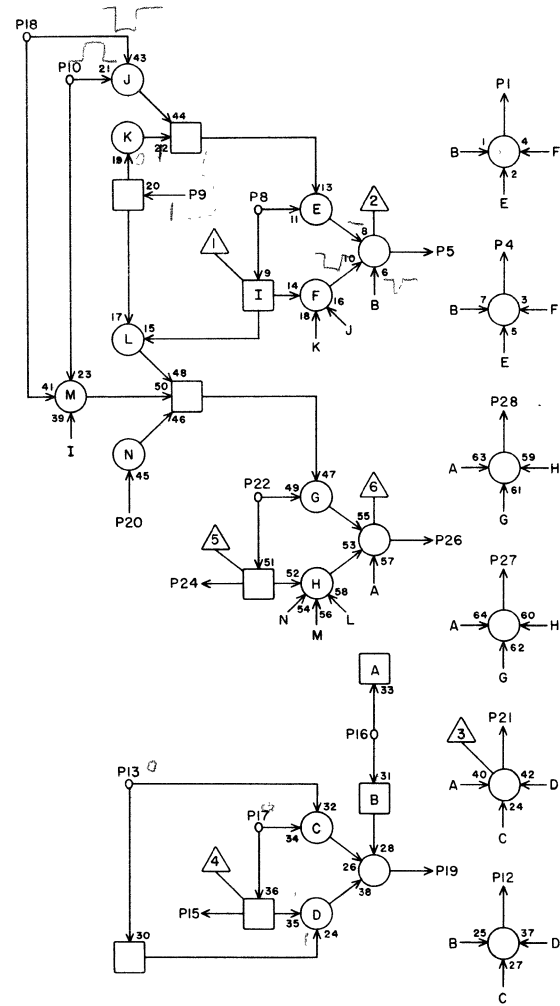
41

39

GD			
2N17			
1	034	5	19
2			
3			
4	026	5	13
5	018	5	9
6			
7			
8	Q17	17	17
9	017	8	7
10	Q17	15	17
11			
12	025	27	13
13	P19	21	13
14			
15			
16	K16	17	15
17	Q17	14	17
18	P19	22	13
19	017	27	9
20	017	17	7
21	033	27	19
22	Q17	19	17
23			
24			
25			
26	018	22	7
27	026	22	13
28	034	22	19
	JACK	PIN	LG

63019700 Rev. H

DIVIDE
 $X_j - 3X_k$



43

44

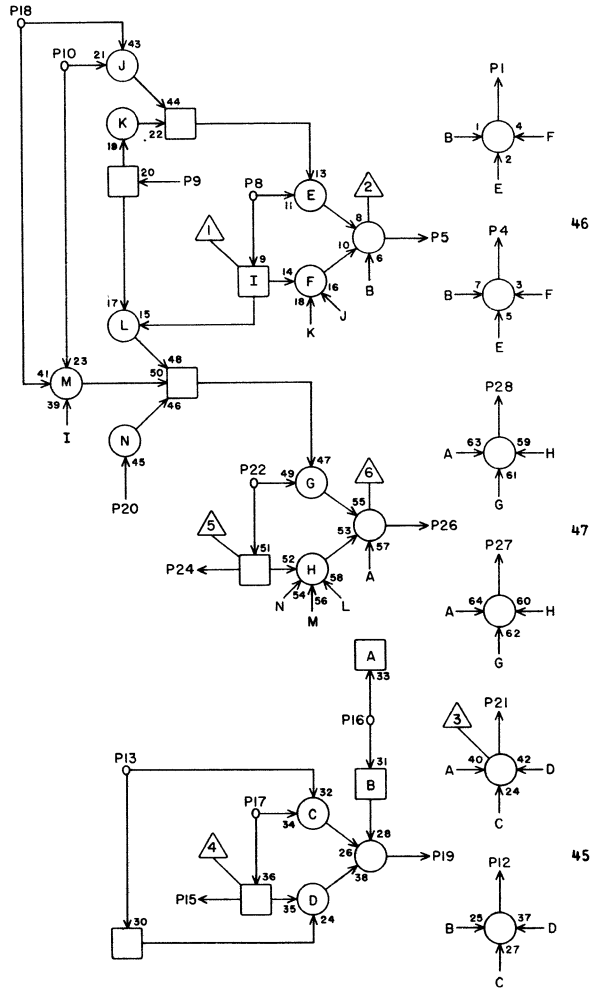
42

GD			
2N18			
1	035	5	19
2			
3			
4	027	5	13
5	019	5	9
6			
7			
8	Q17	25	17
9	018	8	7
10	Q17	23	17
11			
12	026	27	13
13	P19	17	13
14			
15			
16	K16	18	15
17	Q17	21	17
18	P19	20	13
19	018	27	9
20	018	17	7
21	034	27	19
22	Q17	28	17
23			
24			
25			
26	019	22	7
27	027	22	13
28	035	22	19
	JACK	PIN	LG

2N18

63019700 Rev. H

DIVIDE
 $X_j - 3X_k$



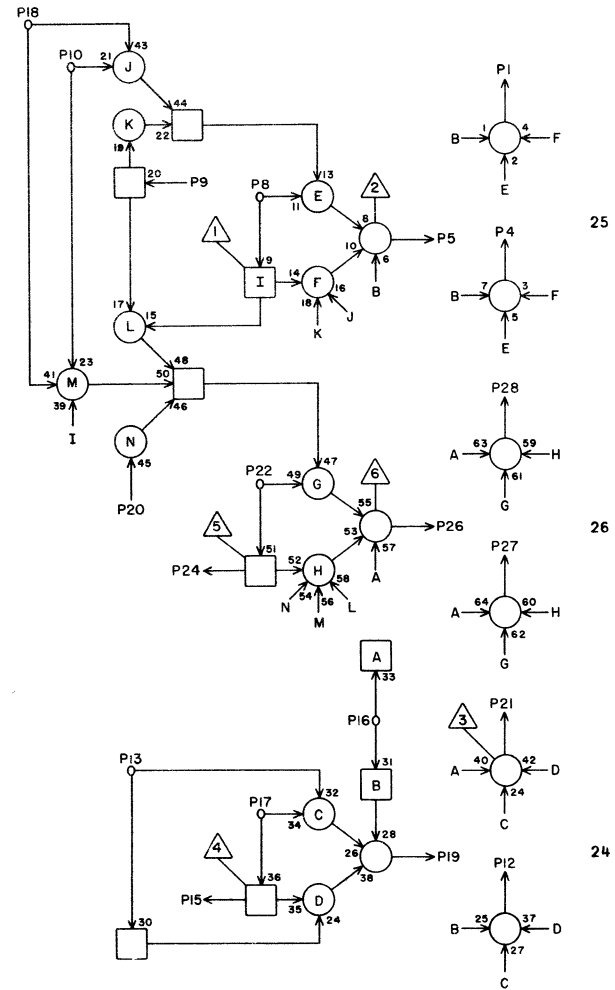
GD			
2N19			
1	O36	5	19
2			
3			
4	N36	5	19
5	M36	5	19
6			
7			
8	Q18	6	17
9	O19	8	7
10	Q18	4	17
11			
12	O27	27	13
13	P20	26	13
14			
15			
16	K16	19	15
17	Q18	1	17
18	P20	28	13
19	O19	27	9
20	O19	17	9
21	O35	27	19
22	Q18	8	17
23			
24			
25			
26	M36	22	19
27	N36	22	19
28	O36	22	19

JACK PIN LG

63019700 Rev. H

DIVIDE

$X_j - 2X_k$

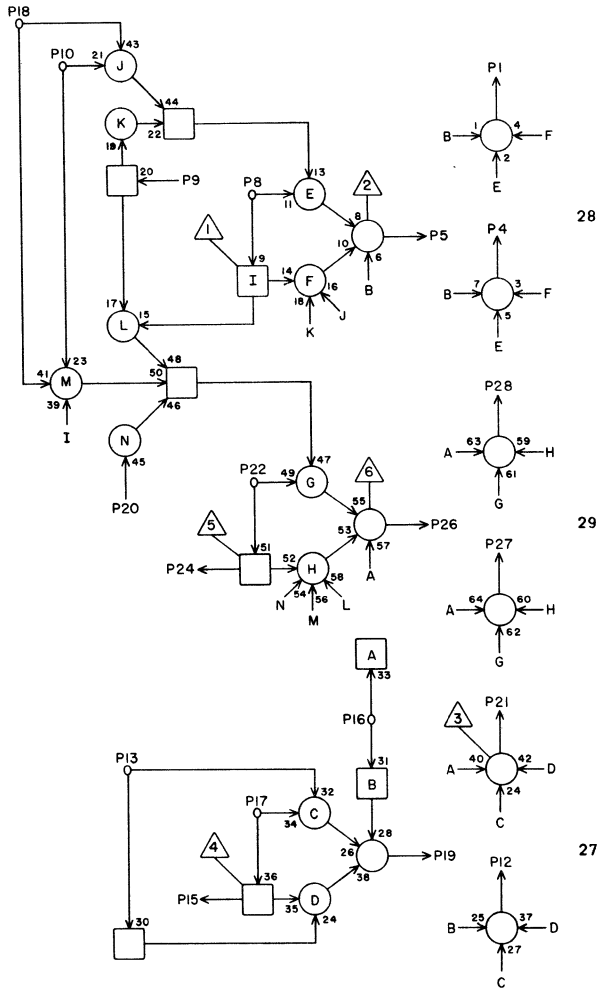


GD			
2N20			
1	O29	4	13
2			
3			
4	O21	4	9
5	O13	4	13
6			
7			
8	R40	10	27
9	O20	8	7
10	R40	8	27
11			
12	O20	26	13
13	P23	23	13
14			
15			
16	K17	9	15
17	R40	6	27
18	P23	24	13
19	O12	26	13
20	O20	17	7
21	O28	26	13
22	R40	12	27
23			
24			
25			
26	O13	20	13
27	O21	20	9
28	O29	20	13

JACK PIN LG

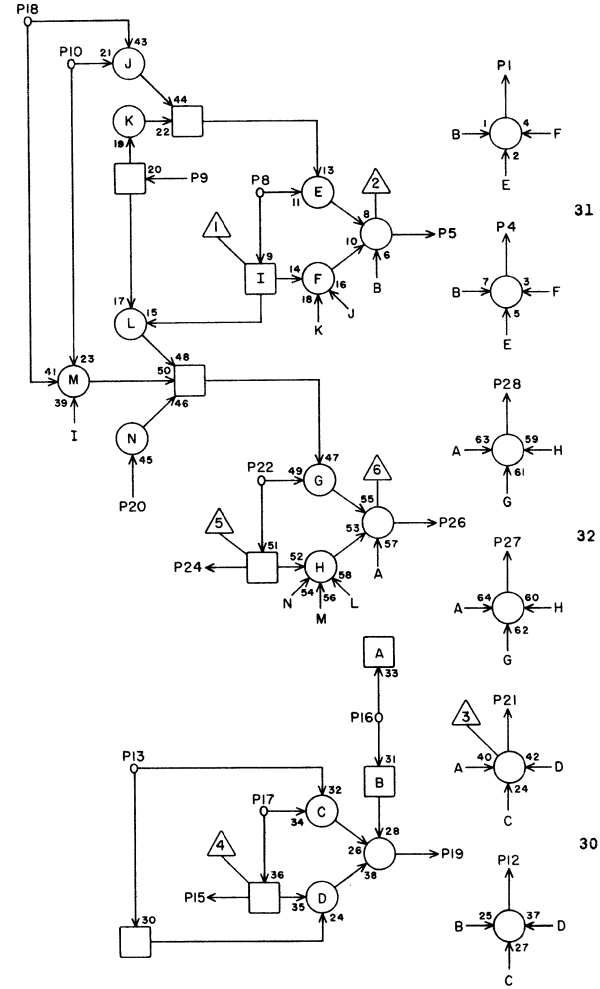
63019700 Rev. F

DIVIDE
 $X_j - 2X_k$



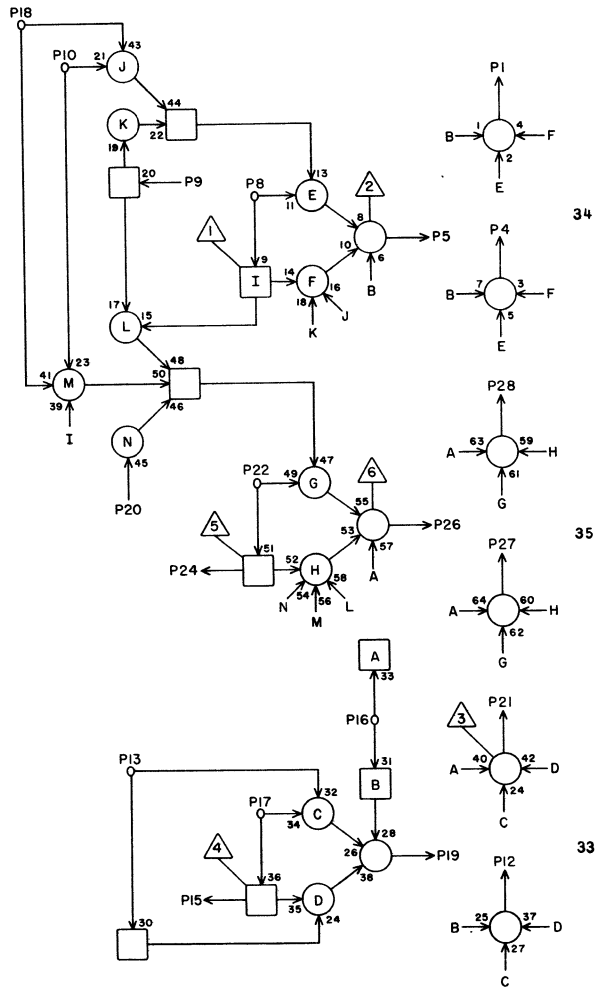
GD		2N21	
1	030	4	13
2			
3			
4	022	4	9
5	014	4	13
6			
7			
8	R40	17	27
9	021	8	7
10	R40	15	27
11			
12	021	26	9
13	P23	21	13
14			
15			
16	K17	10	15
17	R40	14	27
18	P23	22	13
19	013	26	13
20	021	17	7
21	029	26	13
22	R40	19	27
23			
24			
25			
26	014	20	13
27	022	20	9
28	030	20	13
	JACK	PIN	LG

DIVIDE
 $X_j - 2X_k$



GD		2N22	
1	031	4	13
2			
3			
4	023	4	9
5	015	4	13
6			
7			
8	R40	25	27
9	022	8	7
10	R40	23	27
11			
12	022	26	9
13	P23	17	13
14			
15			
16	K17	11	17
17	R40	21	27
18	P23	20	13
19	014	26	13
20	022	17	7
21	030	26	13
22	R40	28	27
23			
24			
25			
26	015	20	11
27	023	20	9
28	031	20	13
	JACK	PIN	LG

DIVIDE
 $X_j - 2X_k$

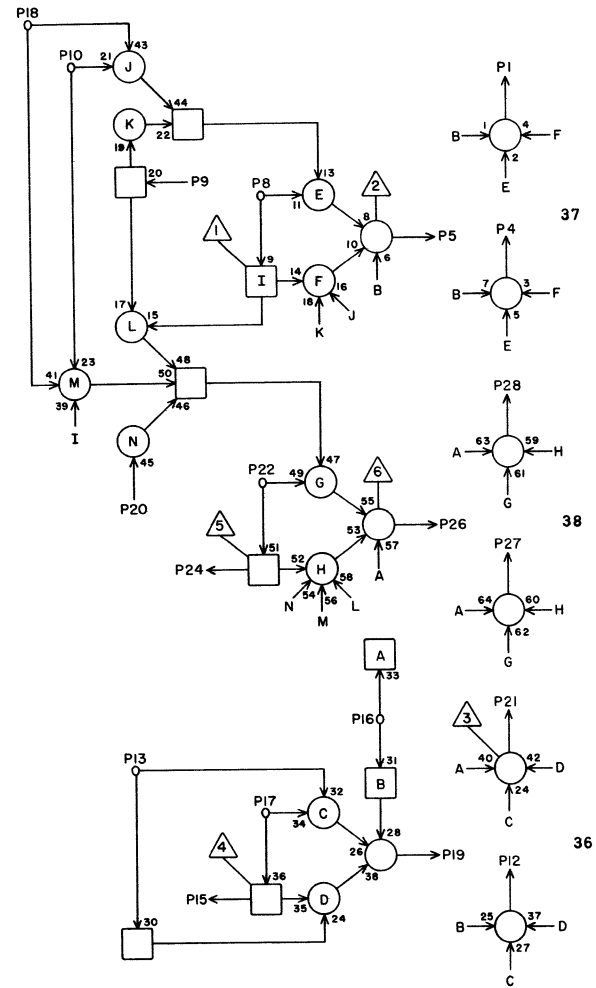


GD		2N23	
1	032	4	13
2			
3			
4	024	4	9
5	016	4	13
6			
7			
8	R41	6	27
9	023	8	7
10	R41	4	27
11			
12	023	26	9
13	P24	26	13
14			
15			
16	K17	13	17
17	R41	1	27
18	P24	28	13
19	015	26	13
20	023	17	7
21	031	26	13
22	R41	8	27
23			
24			
25			
26	016	20	11
27	024	20	9
28	032	20	13

JACK PIN LG

63019700 Rev. H

DIVIDE
 $X_j - 2X_k$

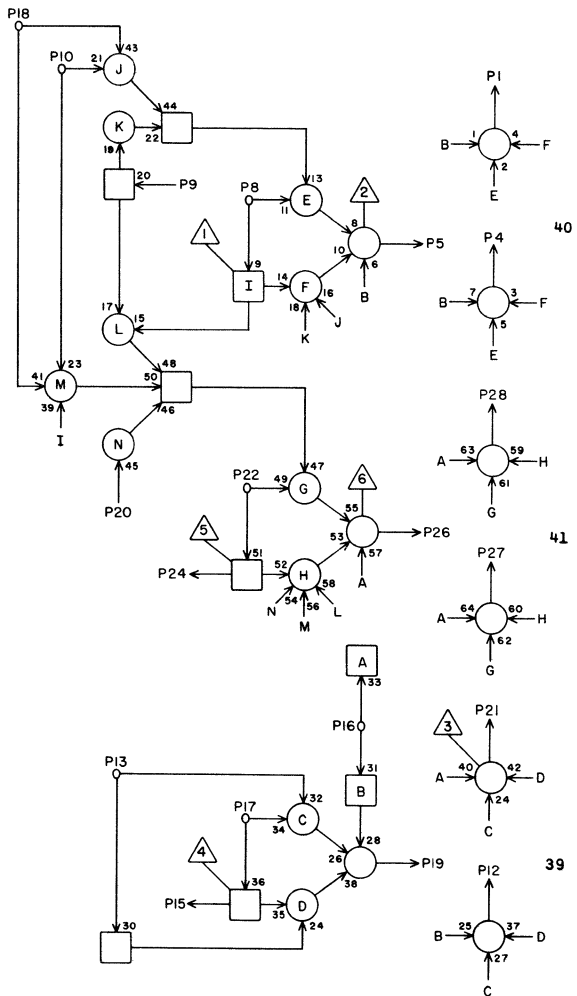


GD		2N24	
1	033	4	13
2			
3			
4	025	4	9
5	017	4	13
6			
7			
8	R41	14	27
9	024	8	7
10	R41	12	27
11			
12	024	26	9
13	P24	23	13
14			
15			
16	K17	15	15
17	R41	10	27
18	P24	24	13
19	016	26	13
20	024	17	7
21	032	26	13
22	R41	15	27
23			
24			
25			
26	017	20	11
27	025	20	9
28	033	20	13

JACK PIN LG

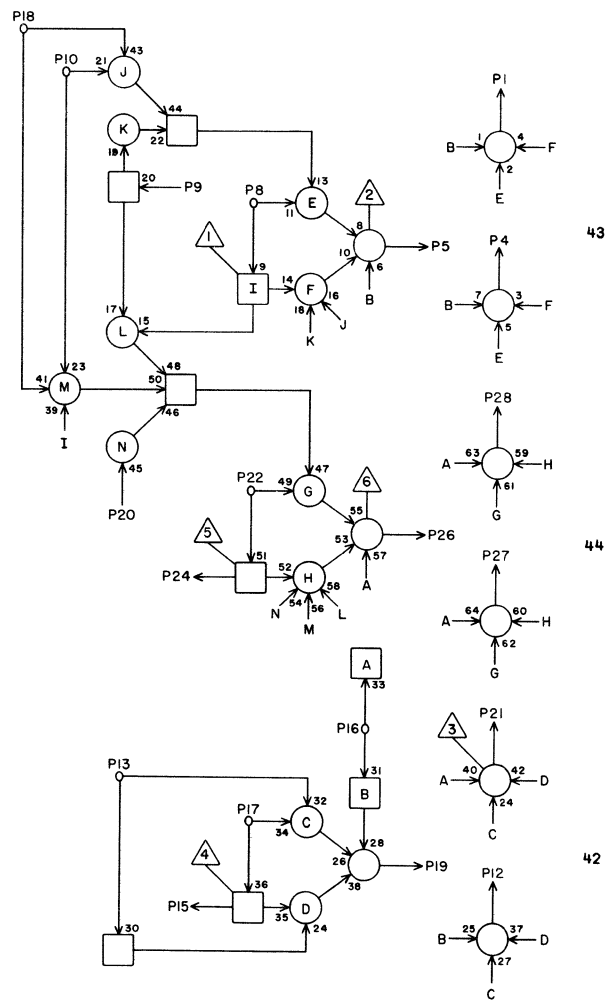
63019700 Rev. H

DIVIDE
 $X_j - 2X_k$



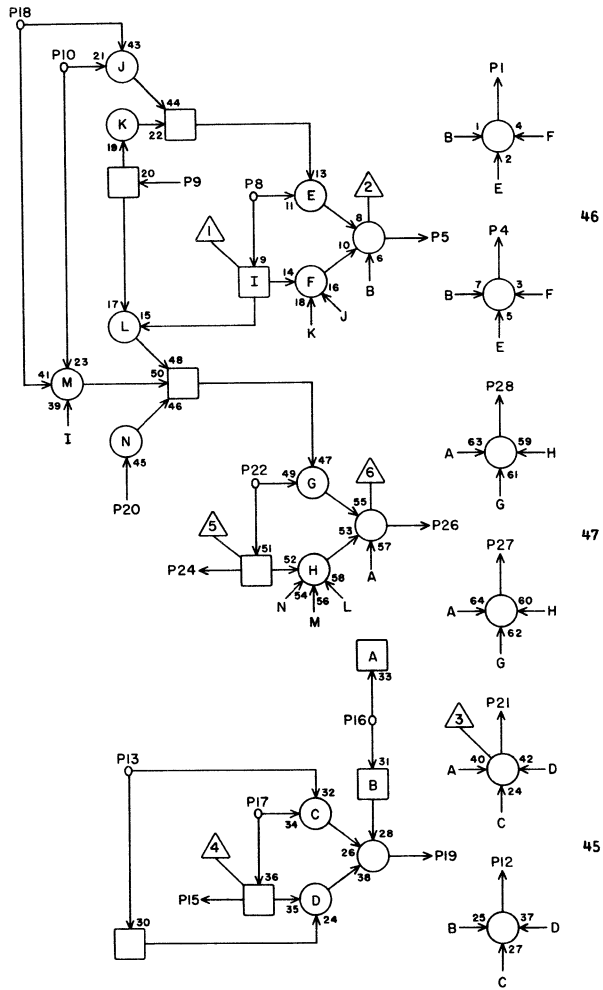
GD		2N25	
JACK	PIN	LG	
1	034	4	13
2			
3			
4	026	4	7
5	018	4	13
6			
7			
8	R41	21	27
9	025	8	7
10	R41	19	27
11			
12	025	26	9
13	P24	21	13
14			
15			
16	K17	17	17
17	R41	17	27
18	P24	22	13
19	017	26	13
20	025	17	7
21	033	26	13
22	R41	23	23
23			
24			
25			
26	018	20	11
27	026	20	9
28	034	20	13

DIVIDE
 $X_j - 2X_k$



GD		2N26	
JACK	PIN	LG	
1	035	4	13
2			
3			
4	027	4	9
5	019	4	13
6			
7			
8	R42	1	25
9	026	8	7
10	R41	28	25
11			
12	026	26	9
13	P24	17	13
14			
15			
16	K17	18	17
17	R41	25	25
18	P24	20	13
19	018	26	13
20	026	17	7
21	034	26	13
22	R42	4	25
23			
24			
25			
26	019	20	11
27	027	20	9
28	035	20	13

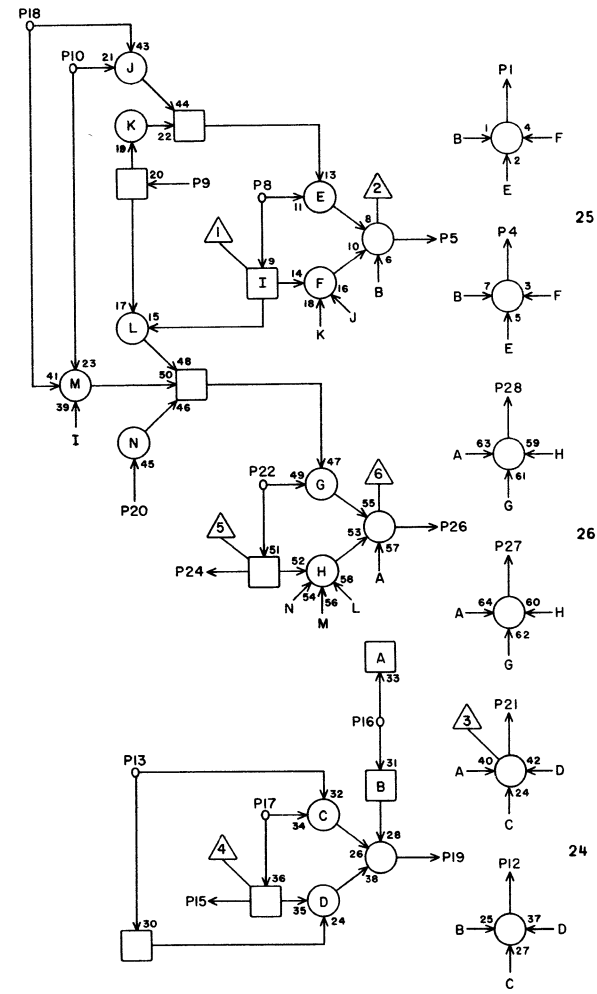
DIVIDE
 $X_j - 2X_k$



GD	2N27		
1	Q36	4	13
2			
3			
4	M36	4	13
5	M36	4	13
6			
7			
8	R42	10	25
9	O27	8	7
10	R42	8	25
11			
12	O27	26	9
13	P25	26	13
14			
15			
16	K17	19	17
17	R42	6	25
18	P25	28	13
19	O19	26	13
20	O27	17	7
21	O35	26	13
22	R42	12	25
23			
24			
25			
26	M36	20	13
27	M36	20	13
28	O36	20	13
	JACK	PIN	LG

63019700 Rev. H

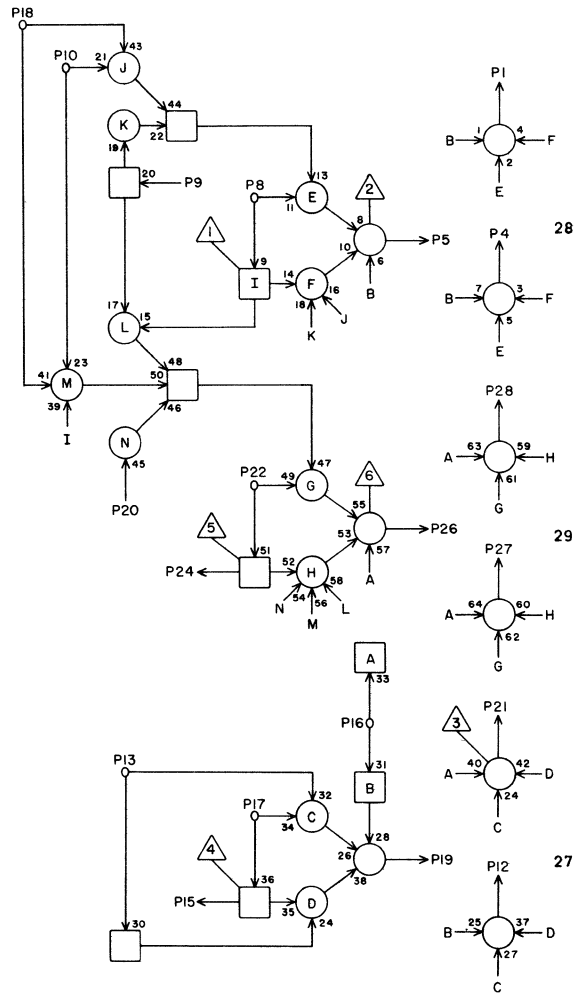
DIVIDE
 $X_j - X_k$



GD	2N28		
1	O29	3	9
2			
3			
4	O21	3	11
5	O13	3	19
6			
7			
8	P41	14	19
9	O28	8	7
10	P41	12	19
11			
12	O20	24	13
13	P28	23	13
14			
15			
16	K18	9	19
17	P41	10	19
18	P28	24	13
19	O12	24	19
20	O28	17	7
21	O28	24	7
22	P41	15	19
23			
24			
25			
26	O13	18	17
27	O21	18	13
28	O29	18	5
	JACK	PIN	LG

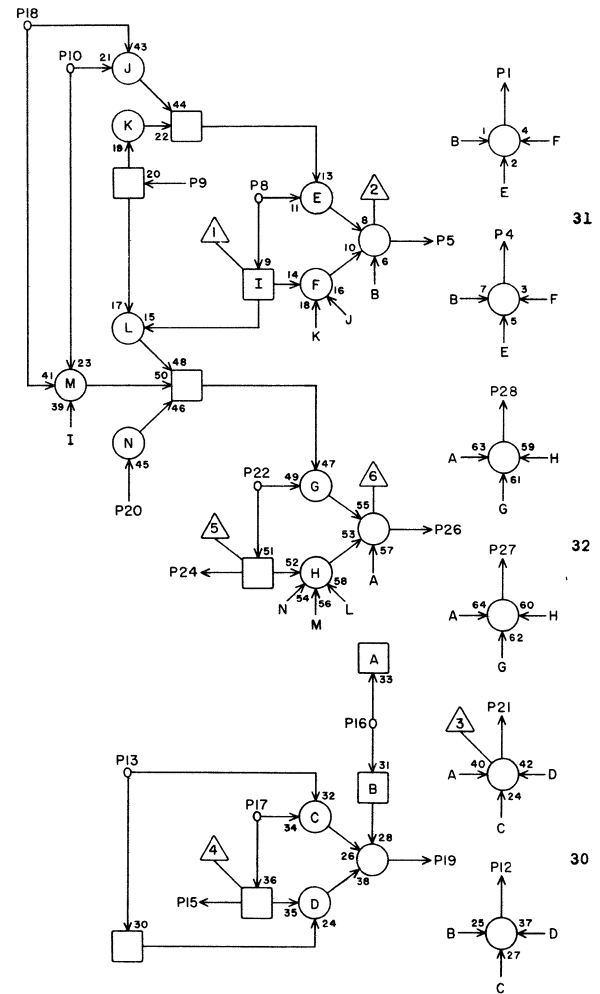
63019700 Rev. H

DIVIDE
 $X_j - X_k$



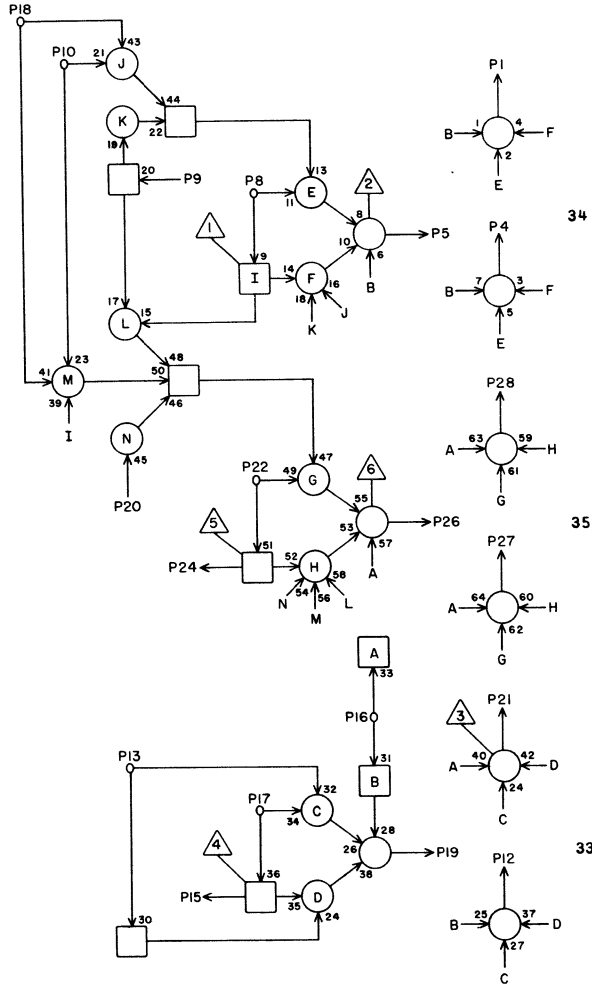
GD		2N29	
1	030	3	9
2			
3			
4	022	3	11
5	014	3	17
6			
7			
8	P41	21	19
9	029	8	7
10	P41	19	19
11			
12	021	24	13
13	P28	21	13
14			
15			
16	K18	10	19
17	P41	17	19
18	P28	22	13
19	013	24	19
20	029	17	7
21	029	24	9
22	P41	23	19
23			
24			
25			
26	014	18	17
27	022	18	13
28	030	18	5
	JACK	PIN	LG

DIVIDE
 $X_j - X_k$



GD		2N30	
1	031	3	9
2			
3			
4	023	3	11
5	015	3	19
6			
7			
8	P42	1	17
9	030	8	9
10	P41	28	17
11			
12	022	24	13
13	P28	17	13
14			
15			
16	K18	11	19
17	P41	25	17
18	P28	20	13
19	014	24	19
20	030	17	7
21	030	24	9
22	P42	4	17
23			
24			
25			
26	015	18	17
27	023	18	13
28	031	18	5
	JACK	PIN	LG

DIVIDE
 $X_j - X_k$

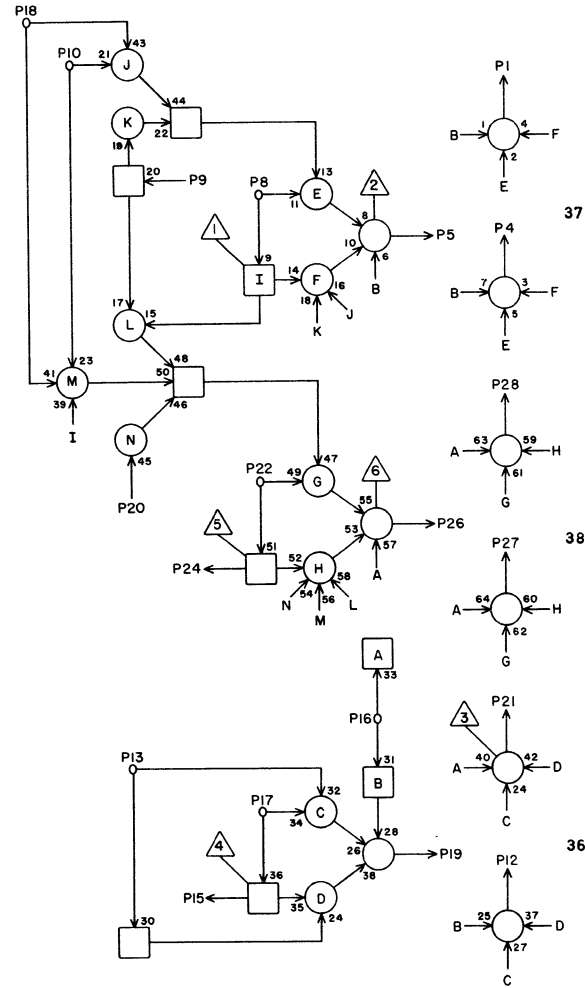


GD		2N31	
1	032	3	9
2			
3			
4	024	3	11
5	016	3	19
6			
7			
8	P42	10	17
9	031	8	7
10	P42	8	17
11			
12	023	24	13
13	P29	26	13
14			
15			
16	K18	13	19
17	P42	6	17
18	P29	28	13
19	015	24	19
20	031	17	7
21	031	24	7
22	P42	12	17
23			
24			
25			
26	016	18	17
27	024	18	13
28	032	18	5

JACK PIN LG

63019700 Rev. AE

DIVIDE
 $X_j - X_k$

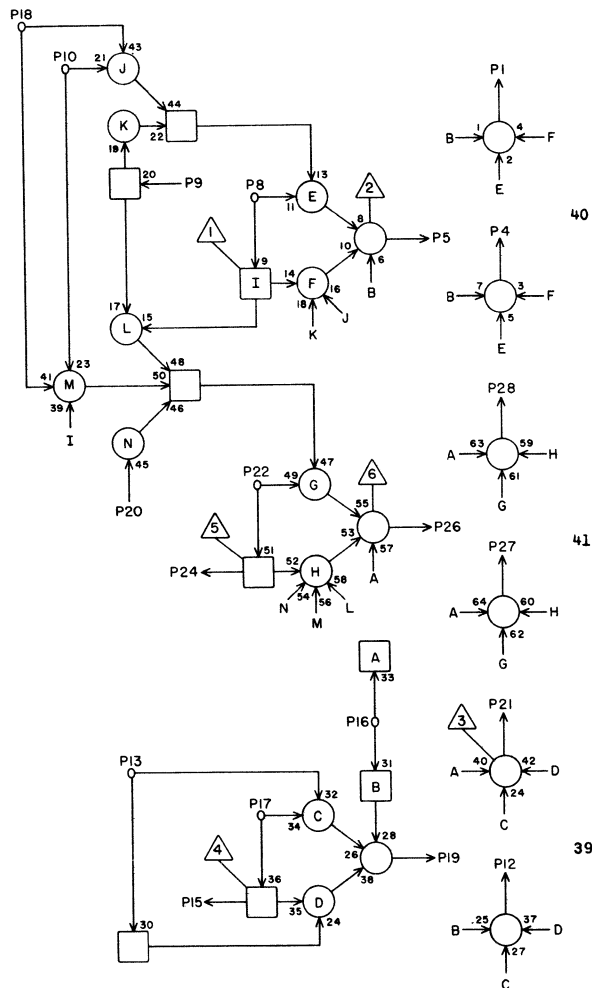


GD		2N32	
1	033	3	9
2			
3			
4	025	3	11
5	017	3	19
6			
7			
8	P42	17	17
9	032	8	7
10	P42	15	17
11			
12	024	24	13
13	P29	23	13
14			
15			
16	K18	15	21
17	P42	14	17
18	P29	24	13
19	016	24	19
20	032	17	7
21	032	24	9
22	P42	19	17
23			
24			
25			
26	017	18	19
27	025	18	13
28	033	18	5

JACK PIN LG

63019700 Rev. H

DIVIDE
 $X_j - X_k$

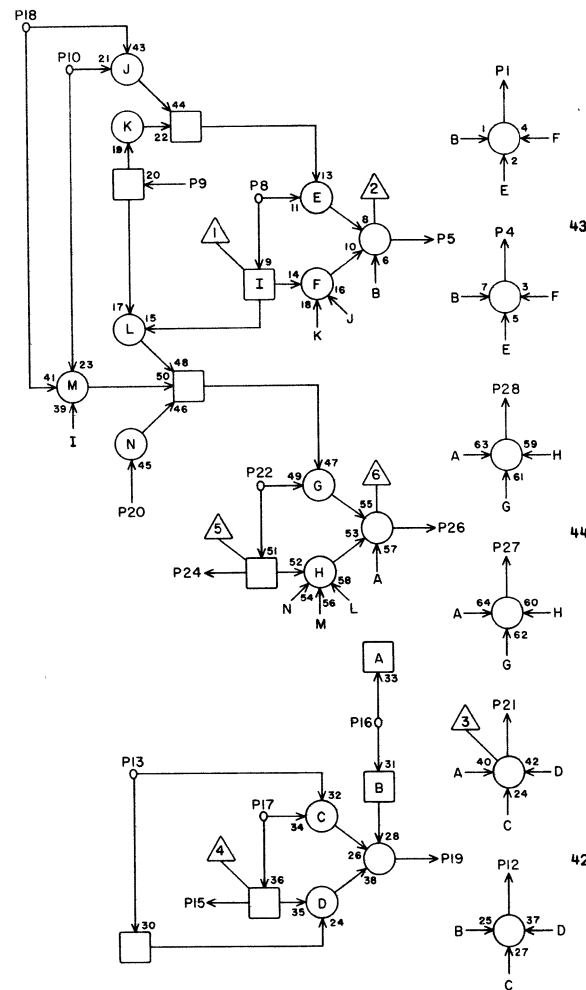


GD **2N33**

1	034	3	9
2			
3			
4	026	3	11
5	018	3	19
6			
7			
8	P42	25	17
9	033	8	7
10	P42	23	17
11			
12	025	24	13
13	P29	21	13
14			
15			
16	K18	17	21
17	P42	21	17
18	P29	22	13
19	017	24	19
20	033	17	7
21	033	24	9
22	P42	28	17
23			
24			
25			
26	018	18	17
27	026	18	13
28	034	18	5

JACK PIN LG

DIVIDE
 $X_j - X_k$

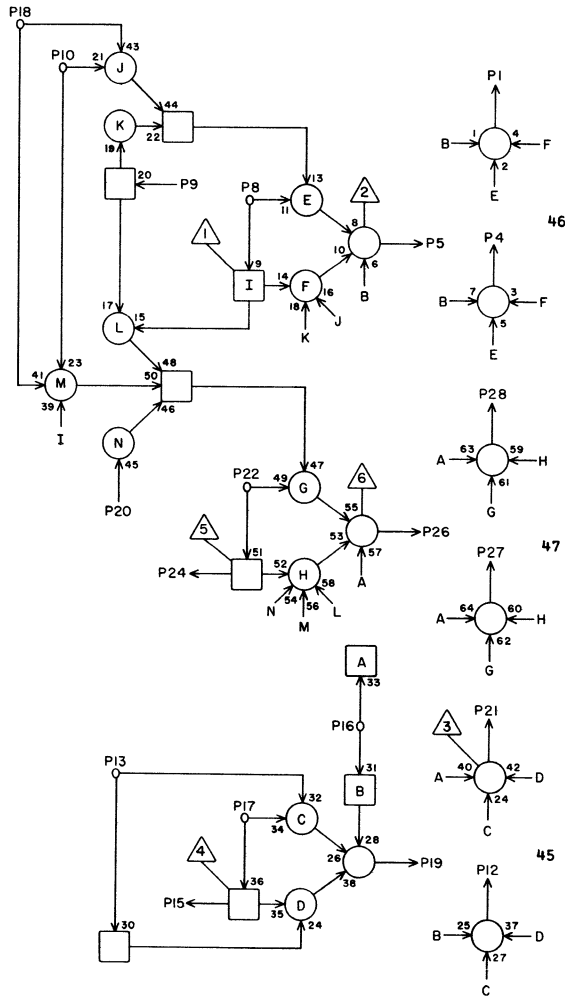


GD **2N34**

1	035	3	7
2			
3			
4	027	3	13
5	019	3	17
6			
7			
8	Q42	6	19
9	034	8	7
10	Q42	4	19
11			
12	026	24	13
13	P29	17	13
14			
15			
16	K18	18	23
17	Q42	1	19
18	P29	20	13
19	018	24	19
20	034	17	7
21	034	24	9
22	Q42	8	19
23			
24			
25			
26	019	18	17
27	027	18	13
28	035	18	5

JACK PIN LG

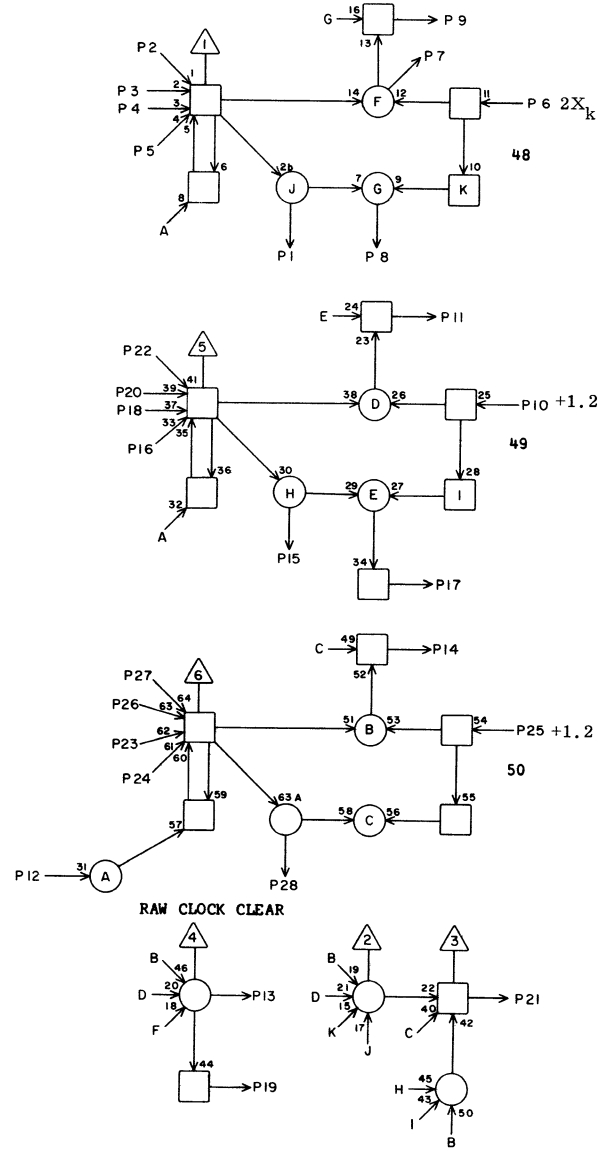
DIVIDE
 $X_j - X_k$



GD		2N35	
1	036	3	9
2			
3			
4	N36	3	5
5	M36	3	9
6			
7			
8	Q42	14	10
9	O35	8	7
10	Q42	12	19
11			
12	O27	24	13
13	P30	26	15
14			
15			
16	K18	19	23
17	Q42	10	19
18	P30	28	15
19	O19	24	19
20	O35	17	7
21	O35	24	9
22	Q42	15	10
23			
24			
25			
26	N36	18	9
27	N36	18	5
28	O36	18	5
	JACK	PIN	LG

63019700 Rev. H

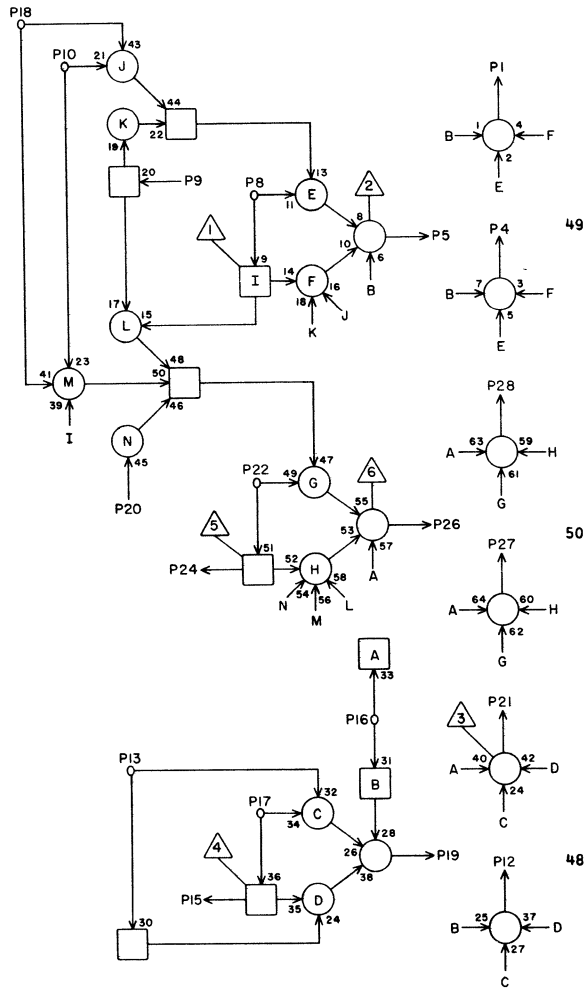
DIVIDE
 $X_j - 2X_k$



GC		2N36	
1			
2	O40	24	11
3	N35	4	5
4	N27	4	13
5	N19		19
6	Q24	22	21
7	R42	16	23
8	N37	9	5
9	R42	13	23
10	P09	27	29
11	R42	18	23
12	J25	28	180
13	P25	1	17
14	R42	20	23
15			
16	O40	23	11
17	N37	20	3
18	N35	27	5
19	K28	7	17
20	N27	27	13
21	P25	16	17
22	N19	27	19
23			
24	O37	12	9
25	P10	27	29
26	N37	12	5
27	M37	27	9
	JACK	PIN	LG

63019700 Rev. H

DIVIDE
 $X_j - 2X_k$

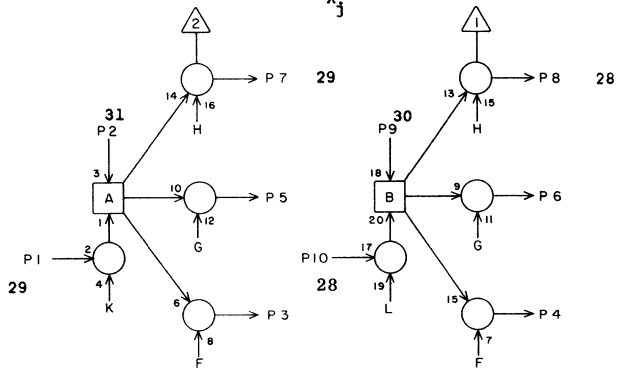


GD 2N37

1			
2			
3			
4			
5			
6			
7			
8	R42	17	23
9	N36	8	5
10	R42	15	23
11			
12	N36	26	8
13	P25	23	17
14			
15			
16	K17	21	25
17	R42	14	23
18	P25	24	17
19	N36	26	7
20	N36	17	3
21	O36	26	9
22	R42	19	23
23			
24			
25			
26			
27			
28			

JACK PIN LG

DIVIDE
 X_j

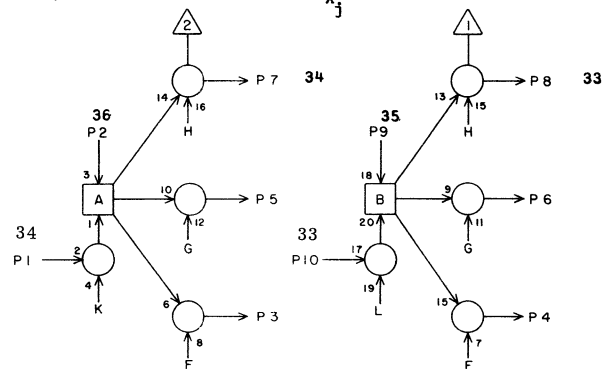


GF 2N39

1	N41	19	5
2	N08	7	31
3	O30	16	13
4	O30	2	13
5	O22	16	21
6	O22	2	21
7	O14	16	27
8	O14	2	27
9	N08	5	31
10	N41	14	5
11	N41	13	5
12	N09	1	29
13	O22	23	21
14	O08	25	31
15	O14	23	27
16	N42	10	5
17	O30	23	15
18	K19	11	25
19	N41	15	5
20	N09	5	29
21	O15	16	25
22	O15	2	25
23	O23	16	19
24	O23	2	19
25	O31	16	13
26	O31	2	13
27	N09	3	29
28	N41	16	5

63019700 Rev. H

DIVIDE
 X_j

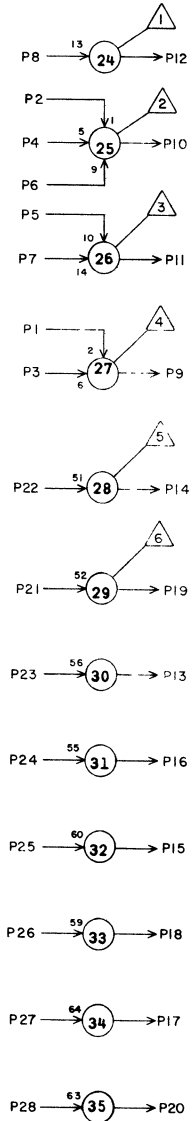


GF 2N40

1	N41	17	5
2	N10	1	29
3	O32	2	13
4	O31	23	13
5	O24	2	19
6	O23	23	19
7	O16	2	25
8	O15	23	27
9	N09	7	29
10	N41	18	5
11	N41	20	5
12	N10	3	29
13	O24	16	19
14	O08	26	33
15	O16	16	25
16	N42	11	5
17	O32	16	13
18	K19	12	25
19	O41	10	9
20	N10	7	29
21	O17	2	25
22	O16	23	25
23	O25	2	19
24	O24	23	19
25	O33	2	13
26	O32	23	13
27	N10	5	29
28	O41	12	5

63019700 Rev. H

NO CHANGE PATH

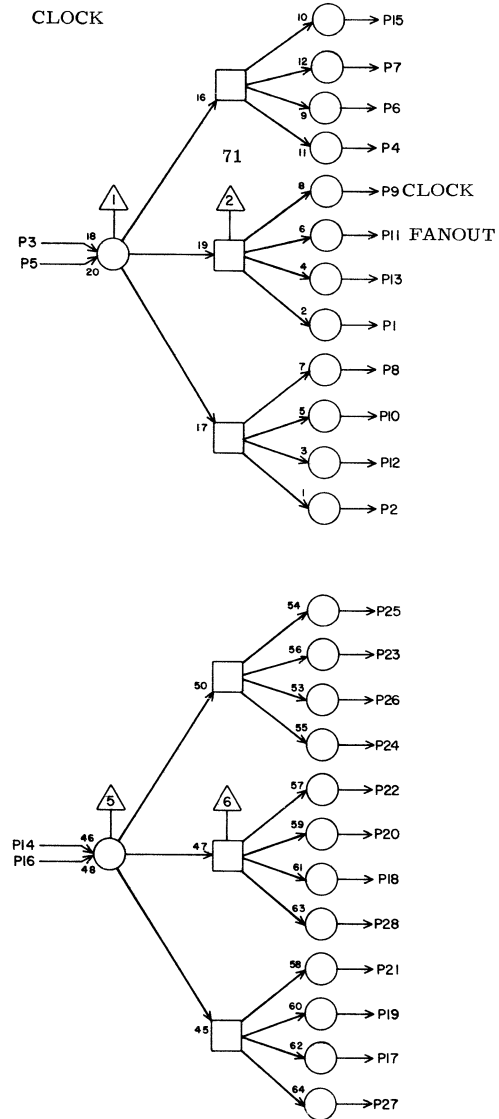


TL 2N41

1	O29	1	15
2	O28	15	17
3			
4			
5	O28	28	17
6			
7			
8	O28	1	17
9	M40	19	7
10	M40	11	7
11	M40	28	7
12	M40	1	7
13	N39	11	5
14	N39	10	5
15	N39	19	5
16	N39	28	5
17	N40	1	5
18	N40	10	5
19	N39	1	5
20	N40	11	5
21	O29	28	17
22	O29	15	17
23	O30	1	15
24	O30	15	15
25	O30	28	15
26	O31	1	15
27	O31	15	15
28	O31	28	15
	JACK	PIN	LG

63019700 Rev. H

CLOCK



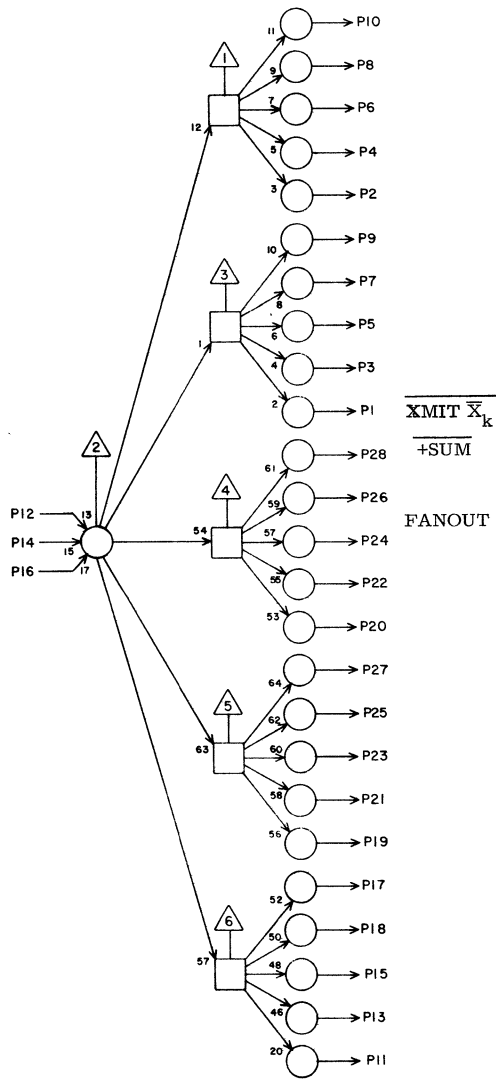
2N42

TC 2N42

1	L39	16	9
2			
3	H26	17	144
4	L38	16	13
5			
6	L40	16	13
7	L41	16	13
8	M39	16	9
9	M40	16	7
10	N39	16	5
11	N40	16	5
12			
13	O40	16	9
14	D12	25	49
15	O39	16	9
16	Q11	4	33
17			
18			
19			
20			
21			
22			
23			
24			
25	A32	2	53
26			
27	H37	6	27
28			
	JACK	PIN	LG

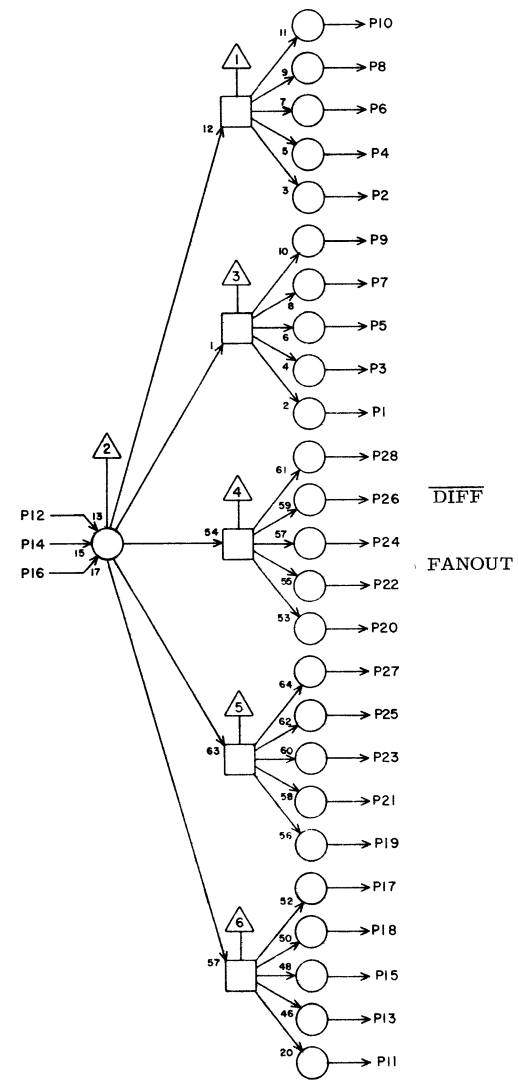
63019700 Rev. AD

BOOLEAN CONTROL



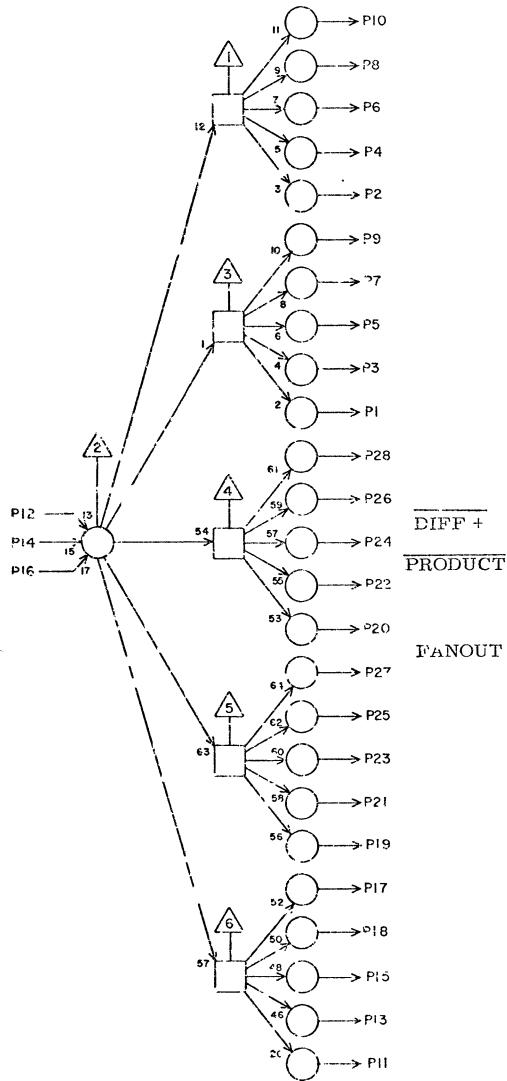
CA		2001	
JACK	PIN	LG	
1	L01	16	15
2	L02	16	13
3	L03	16	13
4	L04	16	13
5	L05	16	15
6	N01	16	5
7	N02	16	5
8	N03	16	7
9	N04	16	9
10	N05	16	9
11	P01	16	9
12	G18	18	37
13	P02	16	9
14		Grd	2
15	P03	16	9
16		Grd	2
17	P04	16	9
18	P05	16	9
19	R01	16	15
20	R02	16	15
21	R03	16	15
22	R04	16	15
23	R05	16	15
24			
25			
26			
27			
28			

BOOLEAN CONTROL



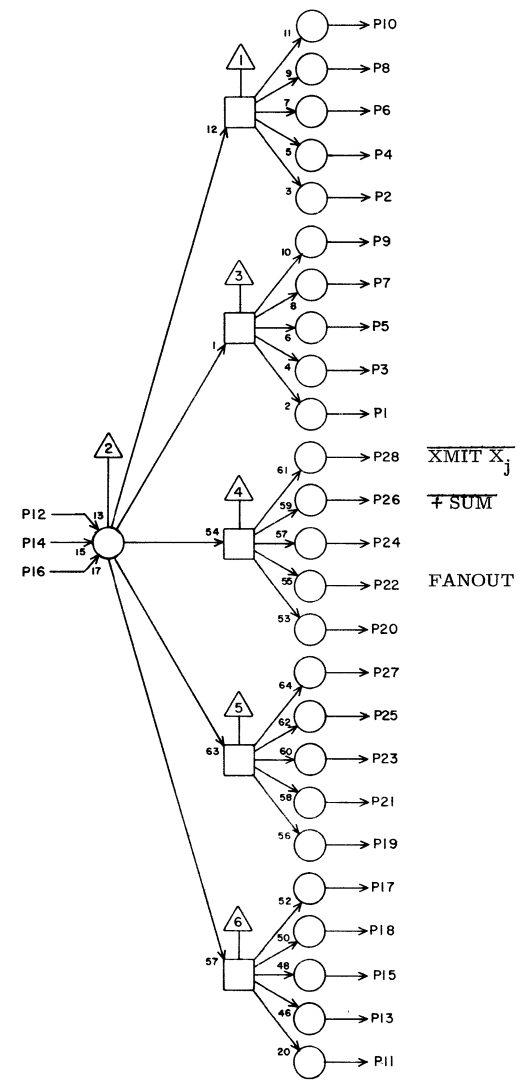
CA		2002	
JACK	PIN	LG	
1	L01	18	15
2	L02	18	13
3	L03	18	13
4	L04	18	13
5	L05	18	15
6	N01	18	7
7	N02	18	5
8	N03	18	5
9	N04	18	5
10	N05	18	9
11	P01	18	9
12	J01	1	23
13	P02	18	9
14		Grd	2
15	P03	18	9
16		Grd	2
17	P04	18	9
18	P05	18	9
19	R01	18	15
20	R02	18	15
21	R03	18	15
22	R04	18	15
23	R05	18	15
24			
25			
26			
27			
28			

BOOLEAN CONTROL



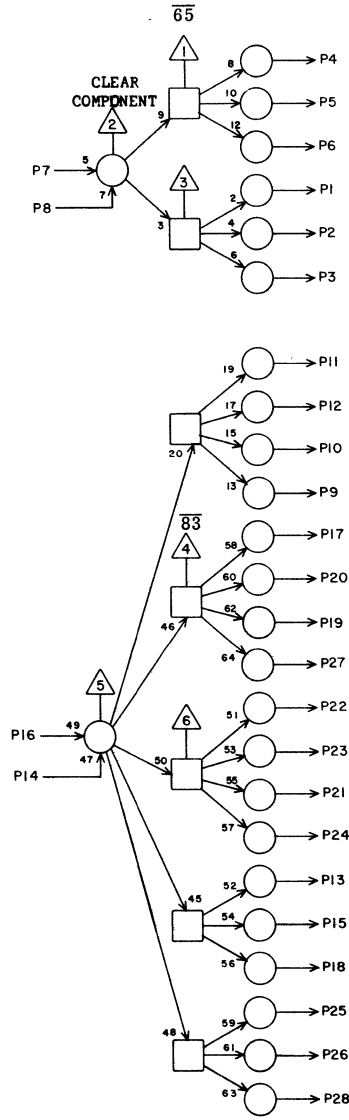
CA		2003	
JACK	PIN	LG	
1	L01	19	15
2	L02	19	13
3	L03	19	13
4	L04	19	13
5	L05	19	15
6	N01	19	5
7	N02	19	5
8	N03	19	5
9	N04	19	5
10	N05	19	7
11	P01	19	9
12	G18	13	35
13	P02	19	9
14		Grd	2
15	P03	19	9
16		Grd	2
17	P04	19	9
18	P05	19	9
19	R01	19	15
20	R02	19	15
21	R03	19	15
22	R04	19	15
23	R05	19	15
24			
25			
26			
27			
28			

BOOLEAN CONTROL



CA		2004	
JACK	PIN	LG	
1	L01	15	15
2	L02	15	13
3	L03	15	13
4	L04	15	13
5	L05	15	15
6	N01	15	7
7	N02	15	7
8	N03	15	5
9	N04	15	5
10	N05	15	7
11	P01	15	9
12	G18	11	35
13	P02	15	9
14		Grd	2
15	P03	15	9
16		Grd	2
17	P04	15	7
18	P05	15	7
19	R01	15	15
20	R02	15	15
21	R03	15	15
22	R04	15	15
23	R05	15	15
24			
25			
26			
27			
28			

CLOCK

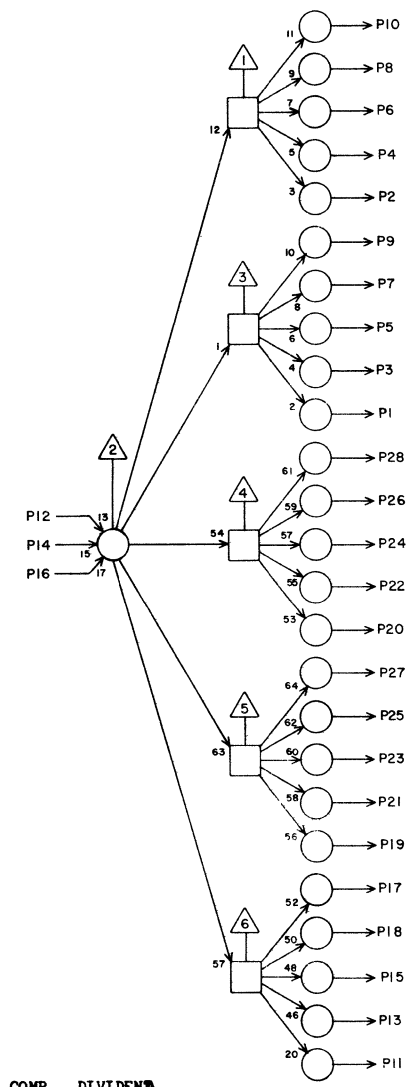


CB			
2005			
1	M08	9	15
2	M09	9	13
3	L08	9	15
4	L09	9	15
5	L10	9	15
6	M10	9	13
7	H26	25	84
8			
9	N09	9	9
10	N10	9	11
11	Q06	9	13
12			
13	Q07	9	13
14	C07	28	45
15	Q08	9	13
16		Grd	2
17	Q09	9	13
18	Q10	9	13
19			
20	N07	9	9
21	L07	9	15
22	L06	9	17
23	N08	9	9
24	N06	9	9
25			
26			
27			
28			

JACK PIN LG

63019700 Rev. H

BOOLEAN CONTROL



COMP. DIVIDEND

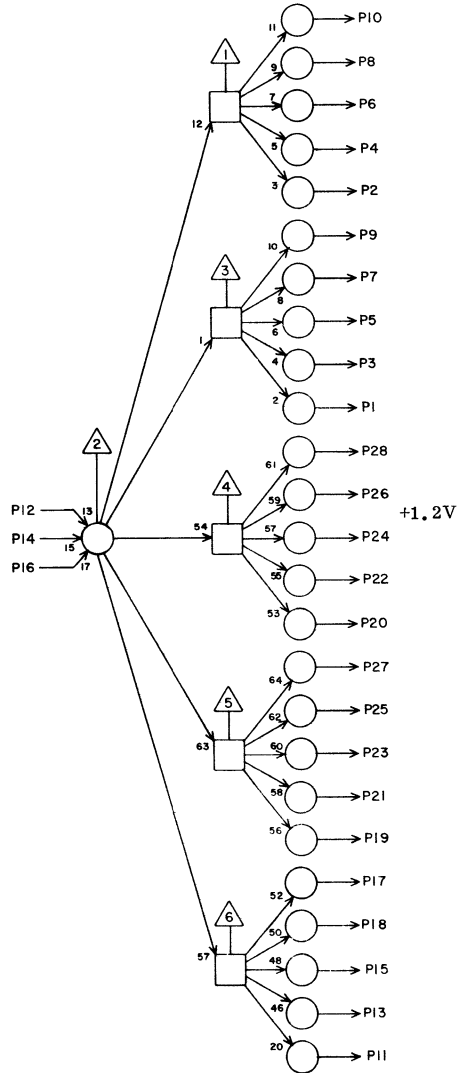
2006

CA			
2006			
1	L06	11	15
2	L07	11	15
3	L08	11	15
4	L09	11	15
5	L10	11	15
6	N06	11	5
7	N07	11	5
8	N08	11	9
9	N09	11	9
10	N10	11	11
11	Q06	11	13
12	A39	18	59
13	Q07	11	13
14	H27	16	35
15	Q08	11	13
16		Grd	2
17	Q09	11	13
18	Q10	11	13
19			
20			
21			
22			
23			
24			
25			
26			
27			
28			

JACK PIN LG

63019700 Rev. H

IN BOOLEAN

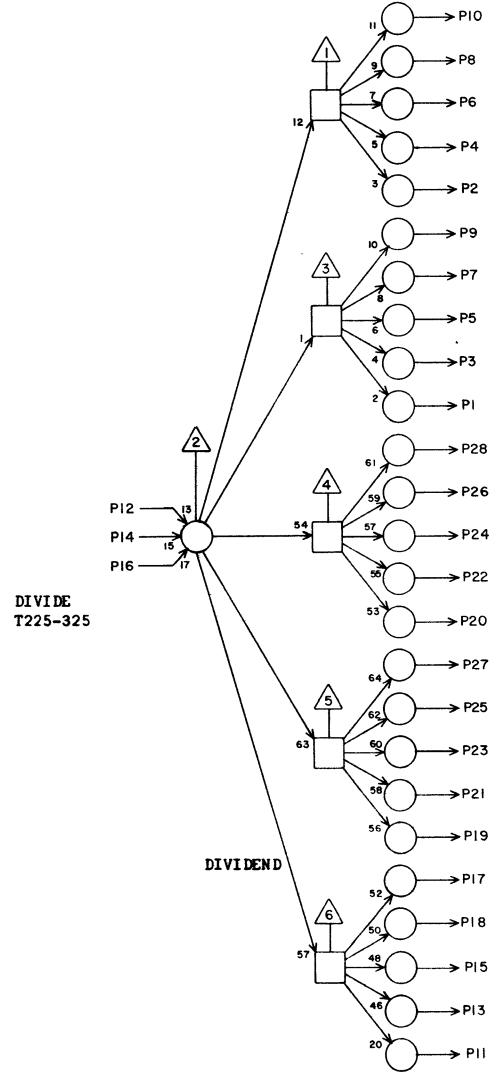


CA 2007

JACK	PIN	LG
1	L06	28 15
2	L07	28 13
3	L08	28 13
4	L09	28 15
5	L10	28 13
6	N06	28 5
7	N07	28 5
8	N08	28 5
9	N09	28 5
10	N10	28 7
11	Q06	28 13
12		Grd 2
13	Q07	28 13
14		Grd 2
15	Q08	28 13
16		Grd 2
17	Q09	28 13
18	Q10	28 13
19		
20		
21		
22		
23		
24		
25		
26	K42	13 39
27		
28		

63019700 Rev.AB

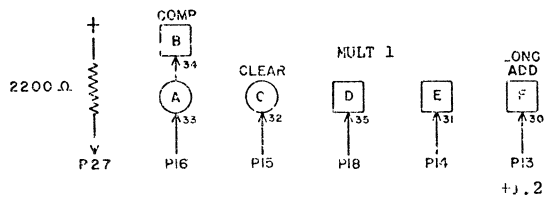
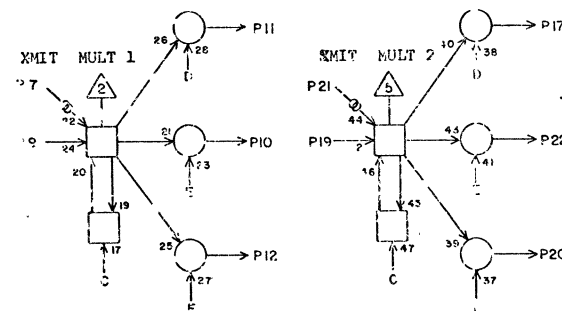
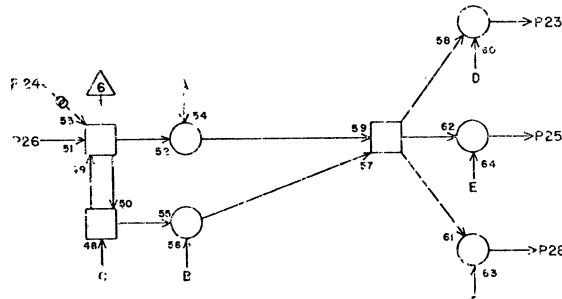
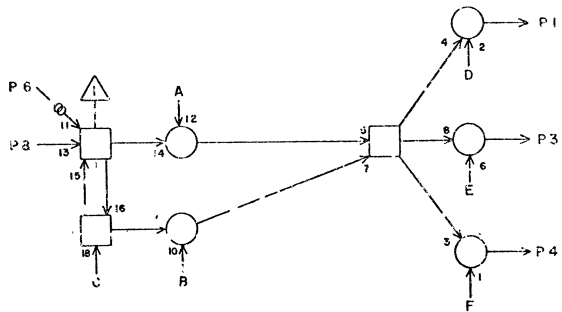
IN DIVIDE



CA 2008

JACK	PIN	LG
1	L06	2 13
2	L07	2 15
3		
4		
5		
6	N06	2 9
7	N07	2 9
8	N08	2 9
9	N09	2 9
10	N10	2 9
11	Q06	2 11
12	G15	9 35
13	Q07	2 11
14		
15	Q08	2 11
16		Grd 2
17	Q09	2 11
18	Q10	2 11
19	L38	14 33
20	L39	14 33
21	L40	14 33
22	L41	14 35
23	M39	14 33
24	M40	14 33
25	N39	14 31
26	N40	14 33
27	O39	14 31
28	O40	14 31

63019700 Rev. H

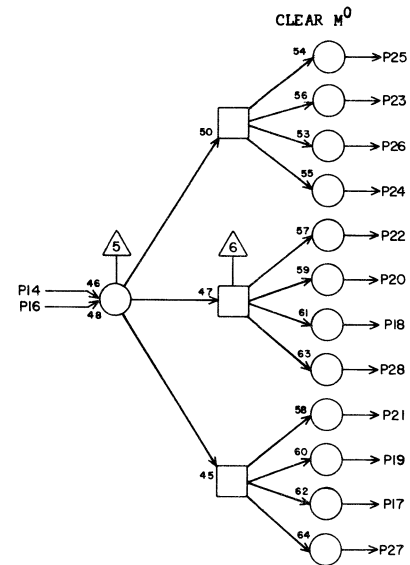
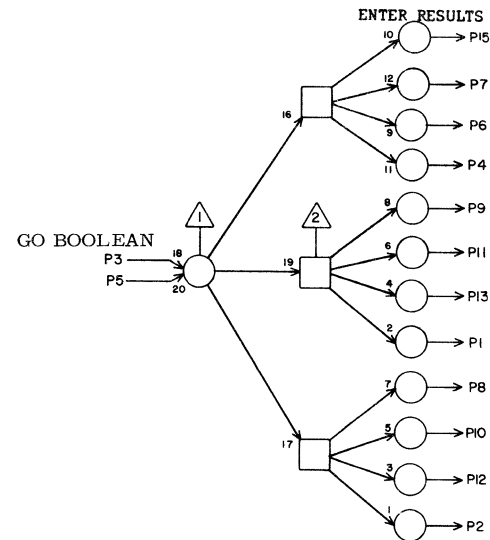


KA 2009

1			
2			
3			
4			
5			
6			
7	2W21	907	
8			
9			
10			
11	H25	3	55
12	I37	10	85
13	O09	27	5
14	H42	9	41
15	J24	23	72
16			
17			
18	H37	9	41
19			
20	I37	15	35
21	2W21	908	
22	H25	26	55
23			
24			
25			
26			
27	O09	13	5
28			

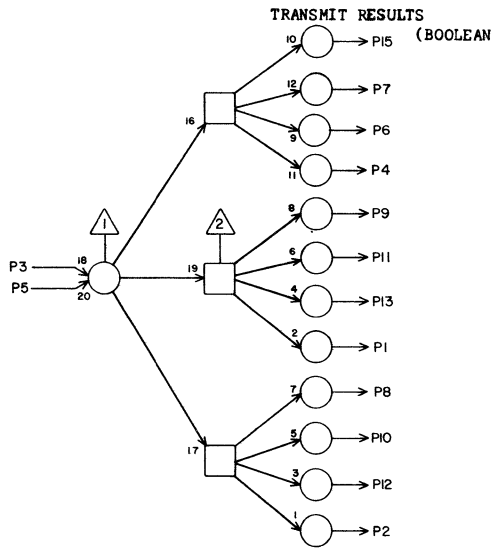
JACK PIN LG

TC 2010



1	Q03	11	15
2			
3	D27	17	45
4			
5	I23	18	27
6	M03	11	13
7	M02	11	13
8	Q04	11	13
9			
10	Q05	11	11
11	Q01	11	15
12			
13	Q02	11	15
14	L11	19	15
15	M01	11	13
16		Grd	2
17			
18	Q02	13	11
19	Q05	13	11
20	Q01	13	15
21	Q04	13	15
22	M05	13	13
23	M02	13	13
24	M04	13	13
25	M01	13	13
26	M03	13	15
27			
28	Q03	13	11

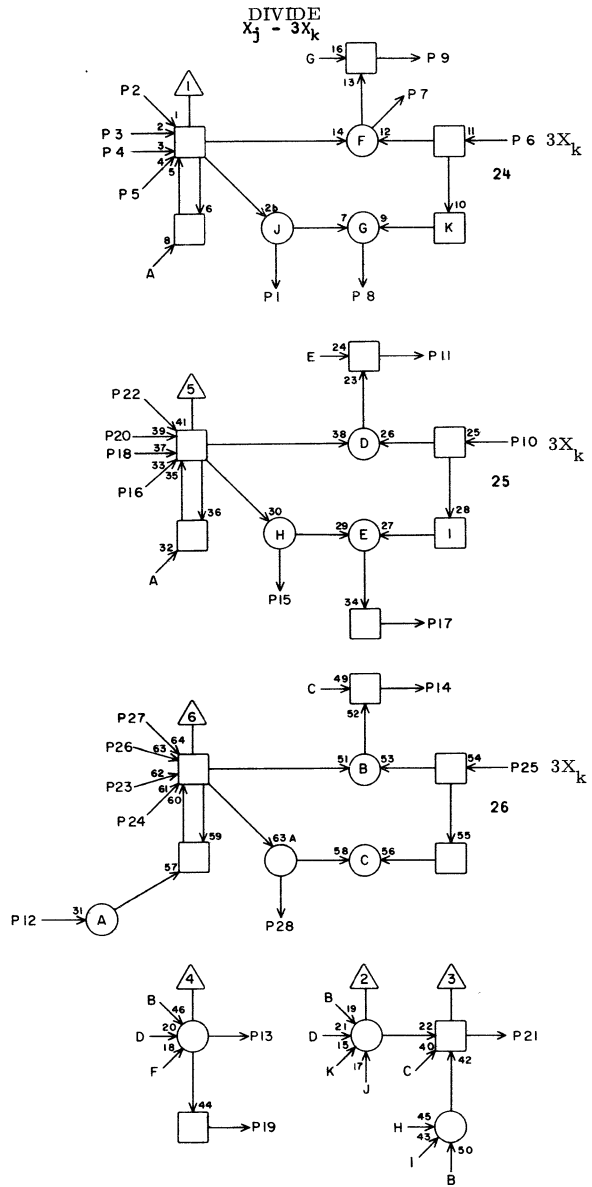
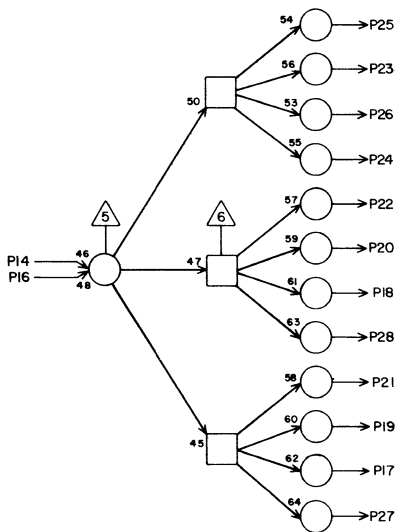
JACK PIN LG



TC 2011

	JACK	PIN	LG
1	Q03	14	15
2			
3	L11	26	15
4	M04	14	13
5	I23	21	12
6	M03	14	15
7	M02	14	13
8	Q04	14	15
9	M05	14	13
10	Q05	14	15
11	M01	14	15
12			
13	Q02	14	15
14	D12	19	41
15	M01	14	17
16	Q12	4	9
17			
18			
19			
20			
21			
22			
23			
24			
25	A32	18	60
26			
27	H42	6	41
28			

63019700 Rev.AD

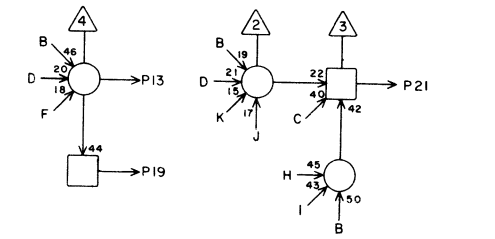
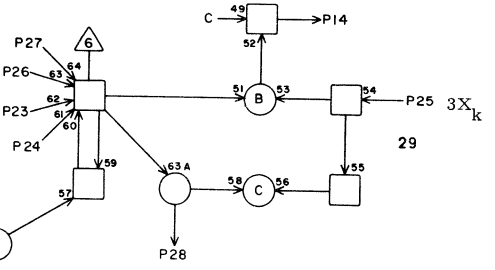
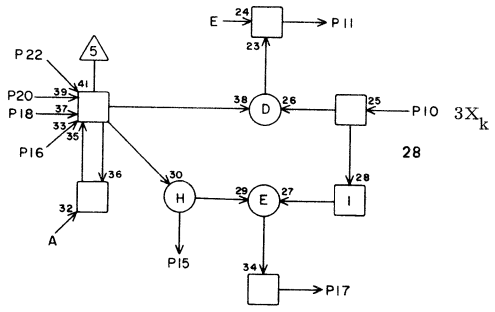
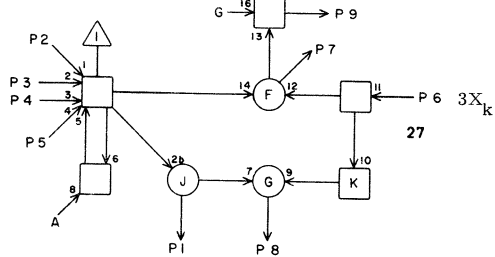


GC 2012

	JACK	PIN	LG
1			
2	M39	21	29
3	L35	5	27
4	L27	5	28
5	L19	5	17
6	Q33	5	23
7	Q16	3	15
8	N12	9	7
9	Q16	2	15
10	Q33	13	23
11	Q16	5	15
12	L37	1	29
13	P18	1	11
14	Q16	7	9
15			
16	M40	8	31
17	N12	20	7
18	L35	26	27
19	K25	7	23
20	L27	26	21
21	P18	16	11
22	L19	26	17
23	M40	7	31
24	N28	19	19
25	Q33	24	23
26	N20	19	13
27	N12	19	9
28			

63019700 Rev. H

DIVIDE
 $X_j - 3X_k$

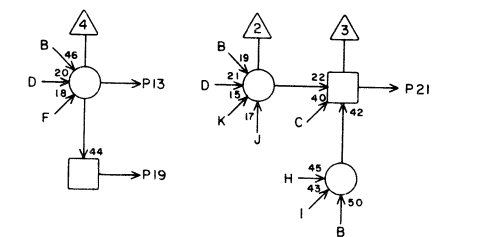
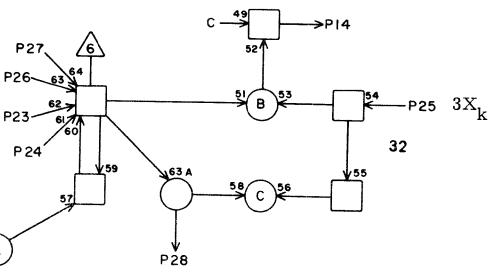
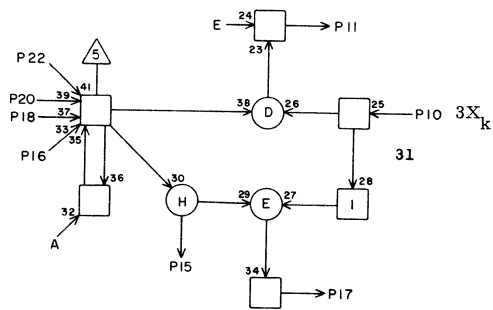
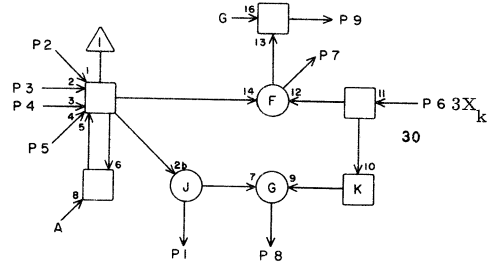


GC 2013

1			
2	M40	15	29
3	N28	5	19
4	N20	5	13
5	N12	5	9
6	Q34	5	23
7	Q16	11	15
8	N13	9	7
9	Q16	9	15
10	Q34	13	23
11	Q16	13	15
12	L37	2	29
13	P18	3	9
14	Q16	16	15
15			
16	M40	22	29
17	N13	20	7
18	N28	26	17
19	K25	5	23
20	N20	26	13
21	P18	15	9
22	N12	26	7
23	M40	21	29
24	N29	19	19
25	Q34	24	23
26	N21	19	13
27	N13	19	9
28			
	JACK	PIN	LG

63019700 Rev. H

DIVIDE
 $X_j - 3X_k$



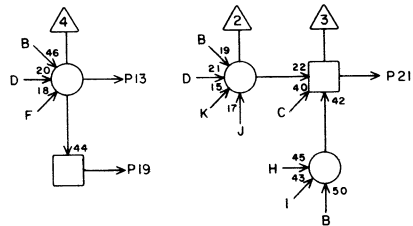
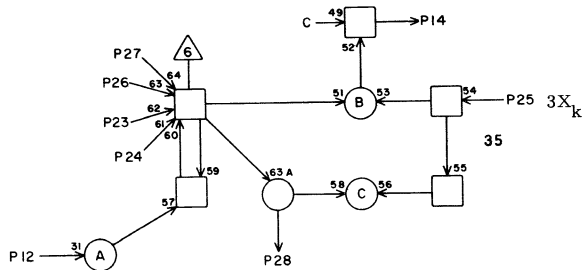
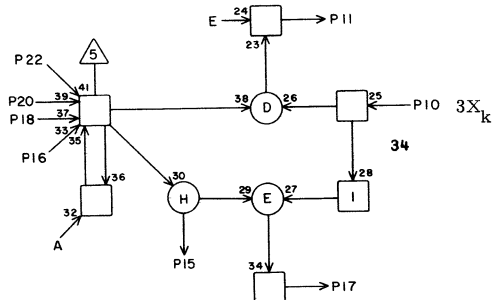
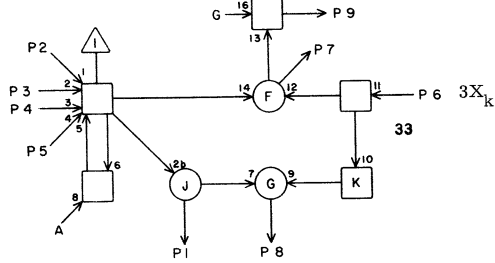
GC 2014

1			
2	N39	8	27
3	N29	5	17
4	N21	5	13
5	N13	5	9
6	Q35	5	23
7	Q16	20	15
8	N14	9	7
9	Q16	18	15
10	Q35	13	23
11	Q16	22	15
12	L37	3	27
13	P18	4	9
14	Q16	24	15
15			
16	N39	7	27
17	N14	20	7
18	N29	26	17
19			
20	N21	26	13
21	P18	5	9
22	N13	26	7
23	N39	15	27
24	N30	19	19
25	Q35	24	23
26	N22	19	13
27	N14	19	9
28			
	JACK	PIN	LG

63019700 Rev. H

2014

DIVIDE
 $X_j - 3X_k$



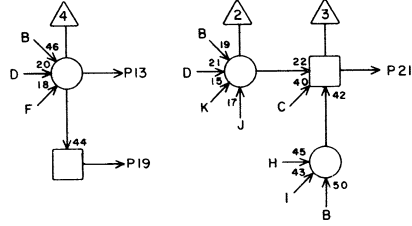
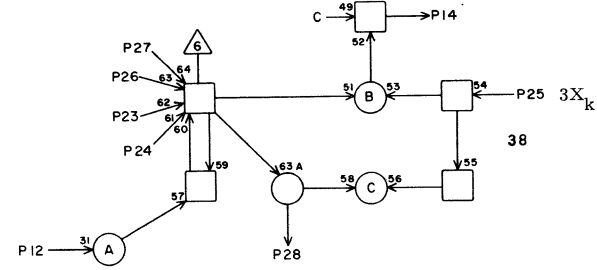
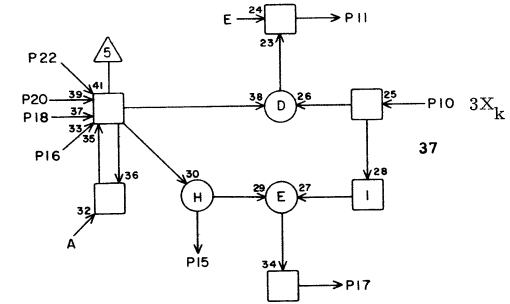
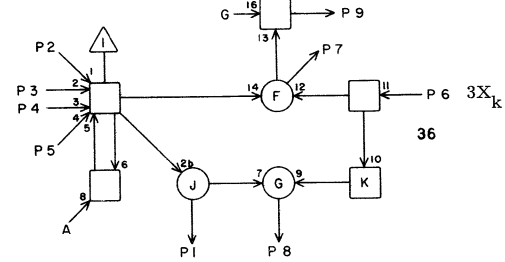
GC 2015

1			
2	N39	22	25
3	N30	5	19
4	N22	5	13
5	N14	5	9
6	Q36	5	23
7	Q16	27	15
8	N15	9	7
9	Q16	26	15
10	Q36	13	23
11	Q17	2	13
12	L37	4	27
13	P19	2	9
14	Q17	3	13
15			
16	N39	21	27
17	N15	20	7
18	N30	26	17
19	J27	1	27
20	N22	26	11
21	P19	13	9
22	N14	26	7
23	N40	8	27
24	N31	19	19
25	Q36	24	23
26	N23	19	13
27	N15	19	9
28			

JACK PIN LG

63019700 Rev. H

DIVIDE
 $X_j - 3X_k$



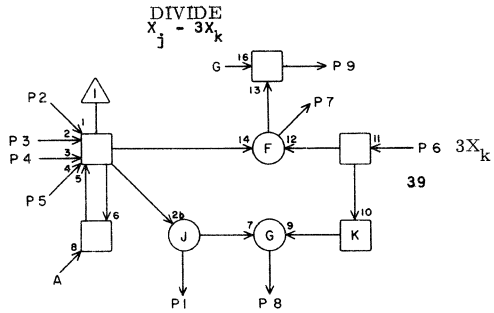
GC 2016

1			
2	N40	7	25
3	N31	5	19
4	N23	5	13
5	N15	5	9
6	Q37	5	23
7	Q17	7	15
8	N16	9	7
9	Q17	5	15
10	Q37	13	23
11	Q17	9	15
12	L37	5	27
13	P19	1	7
14	Q17	11	15
15			
16	N40	15	25
17	N16	20	7
18	N31	26	17
19	K24	7	21
20	N23	26	11
21	P19	16	9
22	N15	26	7
23	N40	22	25
24	N32	19	19
25	Q37	24	23
26	N24	19	13
27	N16	19	9
28			

JACK PIN LG

63019700 Rev. H

$$\text{DIVIDE } X_j - 3X_k$$



GC

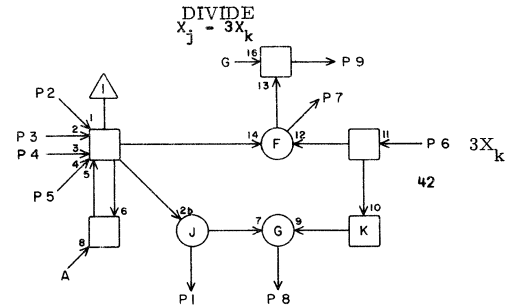
2017

1			
2	N40	21	25
3	N32	5	19
4	N24	5	13
5	N16	5	7
6	Q38	5	23
7	Q17	16	11
8	N17	9	7
9	Q17	13	11
10	Q38	13	23
11	Q17	18	11
12	L37	6	25
13	P19	3	7
14	Q17	20	11
15			
16	O39	8	23
17	N17	20	7
18	N32	26	19
19	K24	5	21
20	N24	26	11
21	P19	15	7
22	N16	26	7
23	O39	7	25
24	N33	19	19
25	Q38	24	23
26	N25	19	13
27	N17	19	9
28			

JACK PIN LG

63019700 Rev. H

$$\text{DIVIDE } X_j - 3X_k$$



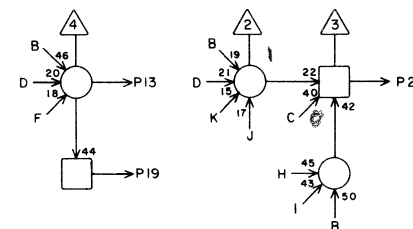
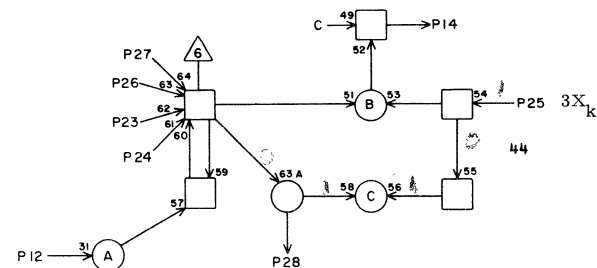
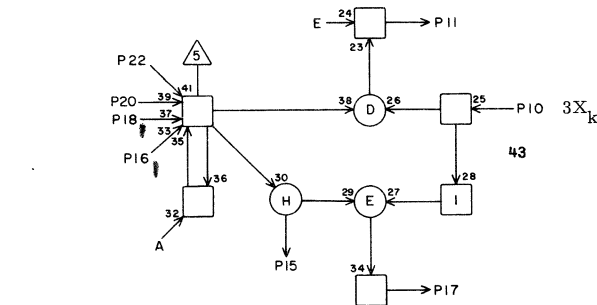
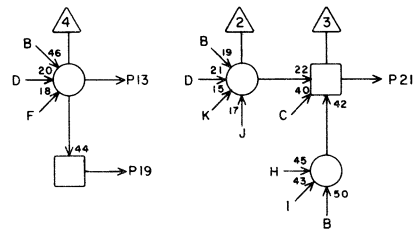
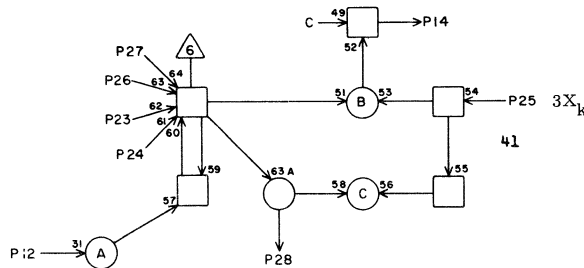
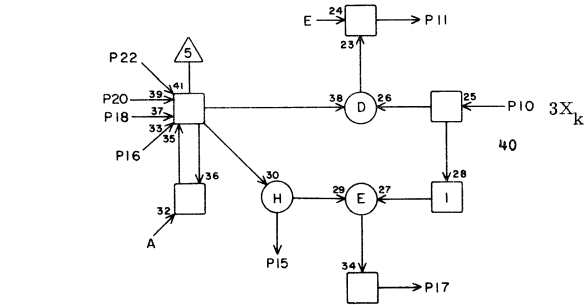
GC

2018

1			
2	O39	15	23
3	N33	5	19
4	N25	5	13
5	N17	5	9
6	Q39	5	23
7	Q17	24	17
8	N18	9	7
9	Q17	22	17
10	Q39	13	23
11	Q17	26	17
12	L37	7	25
13	P19	4	7
14	Q17	27	17
15			
16	O39	22	23
17	N18	20	7
18	N33	26	17
19			
20	N25	26	11
21	P19	5	7
22	N17	26	7
23	O39	21	23
24	N34	19	19
25	Q39	24	23
26	N26	19	13
27	N18	19	9
28			

JACK PIN LG

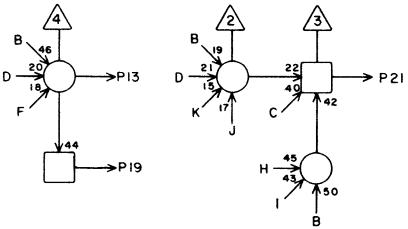
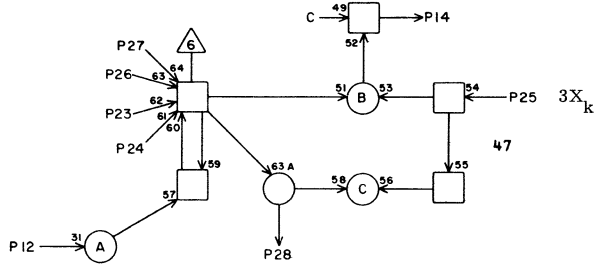
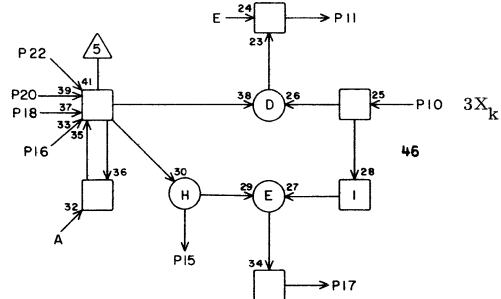
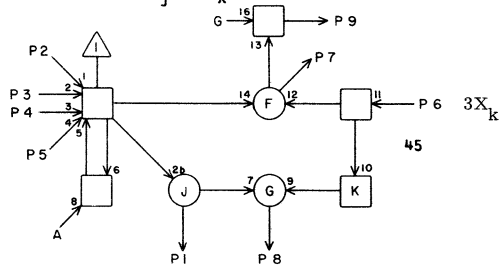
63019700 Rev. H



2018

63019700 Rev. H

DIVIDE
 $X_j - 3X_k$



GC

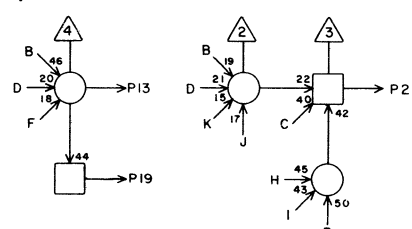
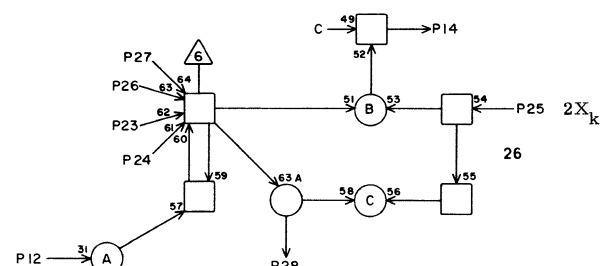
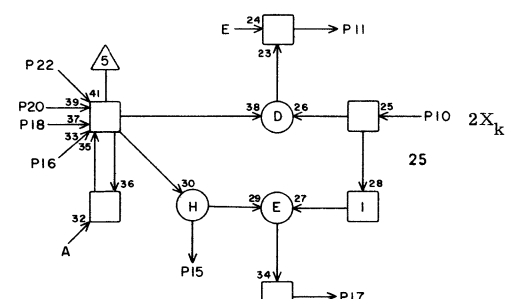
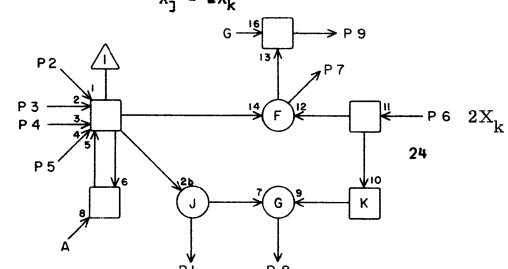
2019

1			
2	O40	8	23
3	N34	5	17
4	N26	5	13
5	N18	5	9
6	Q40	5	23
7	Q18	3	13
8	N19	9	7
9	Q18	2	13
10	Q40	13	23
11	Q18	5	13
12	L37	8	23
13	P20	2	5
14	Q18	7	13
15			
16	O40	7	23
17	N19	20	7
18	N34	26	17
19	J27	6	25
20	N26	26	11
21	P20	13	5
22	N18	26	7
23	O40	15	23
24	N35	19	19
25	Q40	24	23
26	N27	19	13
27	N19	19	9
28			

JACK PIN LG

63019700 Rev. H

DIVIDE
 $X_j - 2X_k$



GC

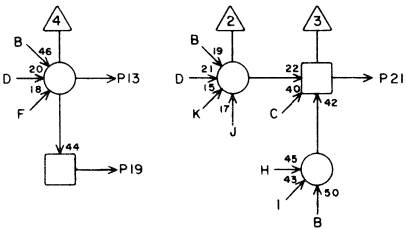
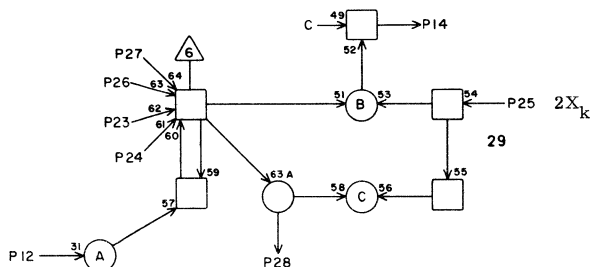
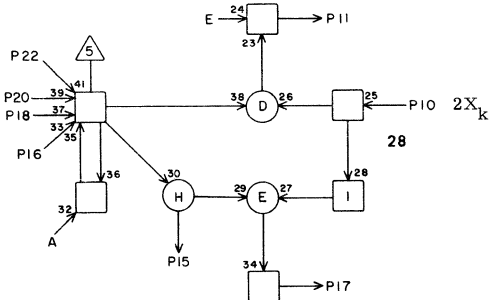
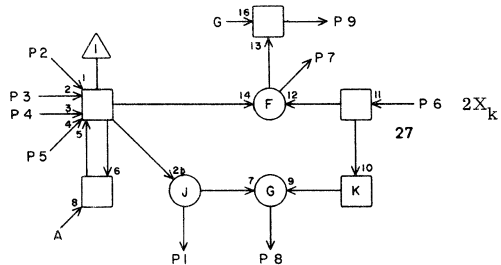
2020

1			
2	M39	23	23
3	L35	4	21
4	L27	4	17
5	L19	4	17
6	Q21	22	13
7	R40	7	27
8	N20	9	7
9	R40	5	27
10	Q22	14	13
11	R40	9	27
12	L37	9	23
13	P23	1	7
14	R40	11	27
15			
16	M40	6	23
17	N20	20	7
18	L35	27	21
19	K30	7	25
20	L27	27	17
21	P23	16	9
22	L19	27	17
23	M40	5	23
24	N28	12	13
25	Q22	12	13
26	N20	12	13
27	N12	12	13
28			

JACK PIN LG

63019700 Rev. H

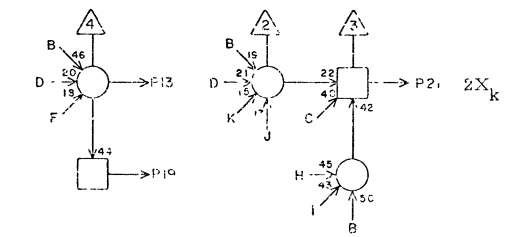
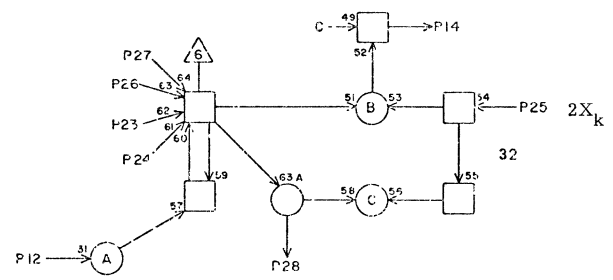
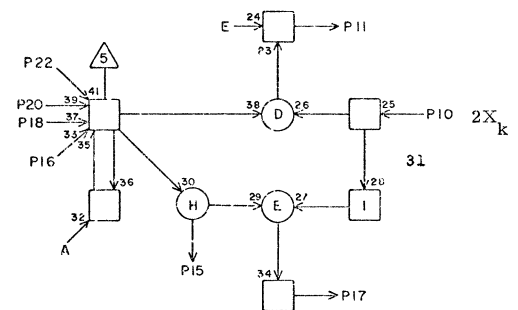
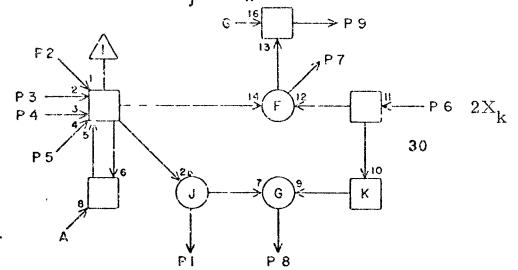
DIVIDE
 $X_j - 2X_k$



GC		2021	
1			
2	N40	13	23
3	N28	4	11
4	N20	4	9
5	N12	4	15
6	Q22	10	13
7	R40	16	25
8	N21	9	7
9	R40	13	25
10	Q22	8	13
11	R40	18	25
12	L37	10	23
13	P23	3	9
14	R40	20	25
15			
16	N40	24	23
17	N21	20	7
18	N28	27	13
19	K30	5	23
20	N20	27	9
21	P23	15	9
22	N12	27	13
23	N40	23	23
24	N29	12	13
25	Q22	16	13
26	N21	12	9
27	N13	12	13
28			
	JACK	PIN	IG

63019700 Rev. H

DIVIDE
 $X_j - 2X_k$

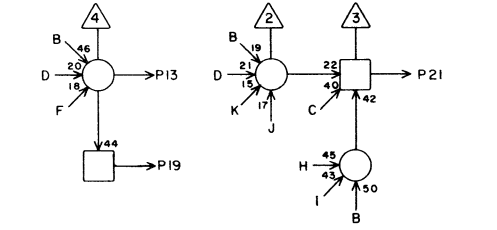
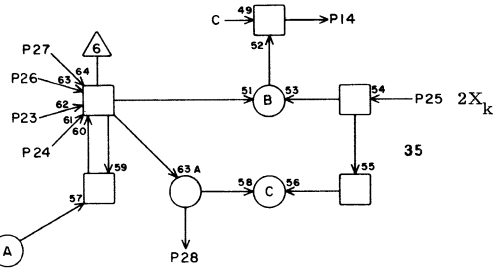
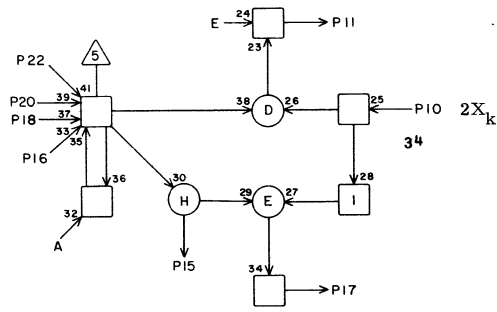
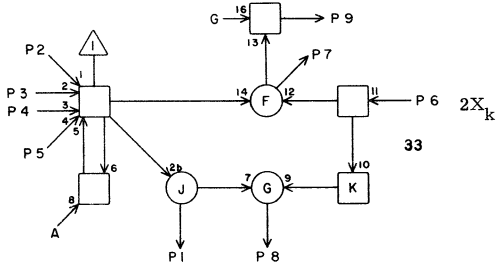


GC		2022	
1			
2	N39	6	21
3	N29	4	11
4	N21	4	9
5	N13	4	13
6	Q22	18	13
7	R40	24	25
8	N22	9	7
9	R40	22	25
10	Q22	20	13
11	R40	26	25
12	L37	11	23
13	P23	4	7
14	R40	27	25
15			
16	N39	5	21
17	N22	20	7
18	N29	27	13
19			
20	N21	27	9
21	P23	5	5
22	N13	27	13
23	N39	13	21
24	N30	12	13
25	Q22	22	13
26	N22	12	9
27	N14	12	13
28			
	JACK	PIN	IG

63019700 Rev. H

2022

DIVIDE
 $X_j - 2X_k$

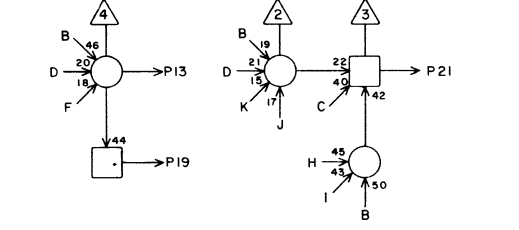
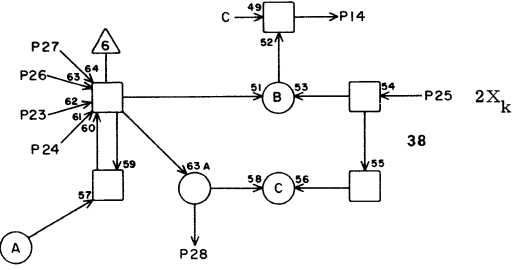
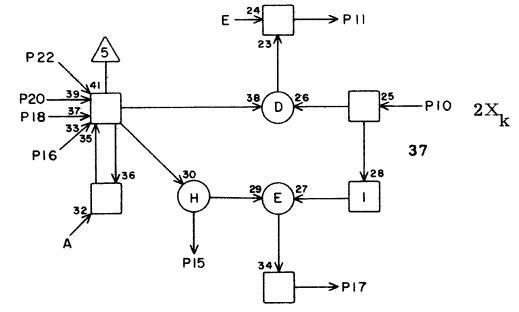
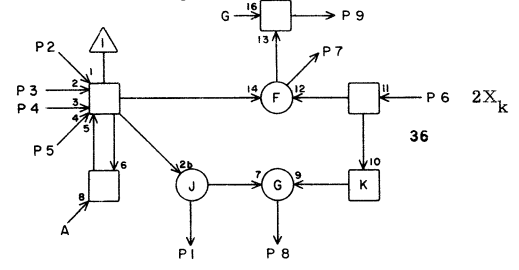


GC 2023

1			
2	N39	24	19
3	N30	4	11
4	N22	4	9
5	N14	4	13
6	Q23	14	13
7	R41	3	25
8	N23	9	7
9	R41	2	25
10	Q23	12	13
11	R41	5	25
12	L37	13	21
13	P24	2	5
14	R41	7	25
15			
16	N39	23	19
17	N23	20	7
18	N30	27	13
19	J27	3	25
20	N22	27	9
21	P24	13	5
22	N14	27	13
23	N40	6	19
24	N31	12	13
25	Q23	10	13
26	N23	12	9
27	N15	12	13
28			

JACK PIN LG

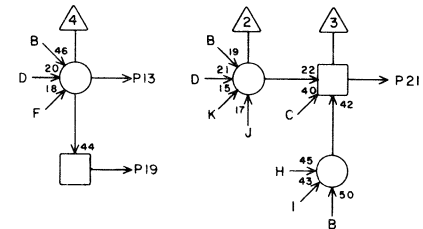
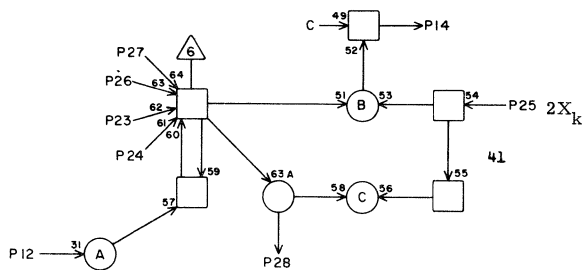
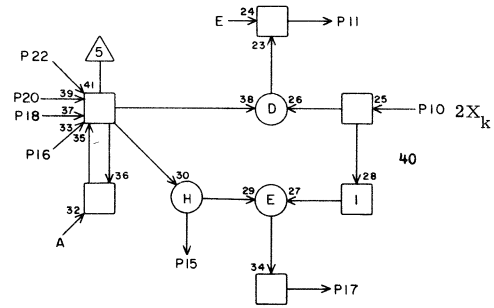
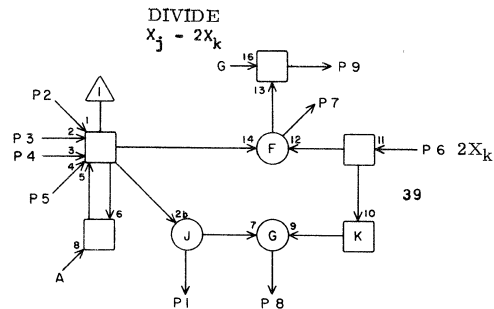
DIVIDE
 $X_j - 2X_k$



GC 2024

1			
2	N40	5	19
3	N31	4	11
4	N23	4	9
5	N15	4	13
6	Q23	8	13
7	R41	11	23
8	N24	9	7
9	R41	9	23
10	Q23	16	13
11	R41	13	23
12	L37	15	21
13	P24	1	7
14	R41	16	23
15			
16	N40	13	19
17	N24	20	7
18	N31	27	13
19	K29	7	21
20	N23	27	9
21	P24	16	7
22	N15	27	13
23	N40	24	19
24	N32	12	13
25	Q23	18	13
26	N24	12	9
27	N16	12	13
28			

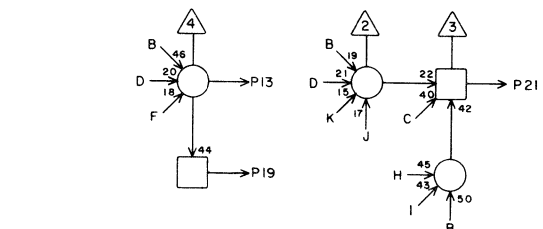
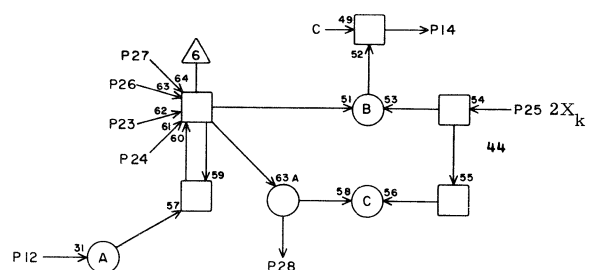
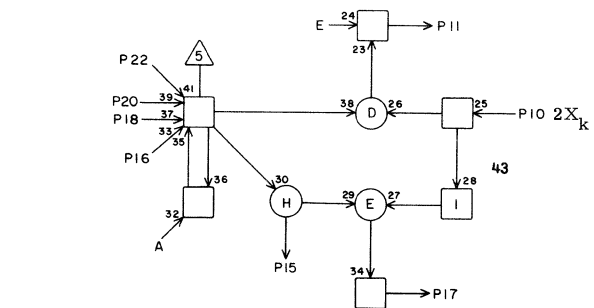
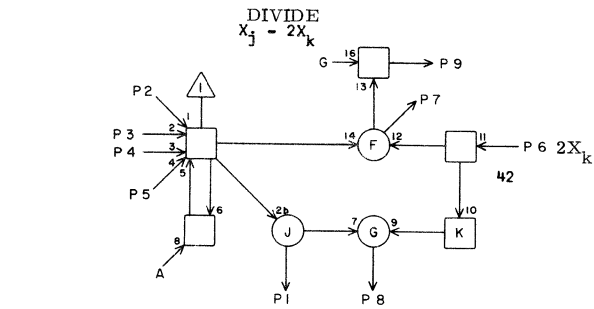
JACK PIN LG



GC 2025

1			
2	N40	23	19
3	N32	4	11
4	N24	4	9
5	N16	4	13
6	Q23	20	13
7	R41	20	23
8	N25	9	7
9	R41	18	23
10	Q23	22	13
11	R41	22	23
12	L37	17	19
13	P24	3	5
14	R41	24	23
15			
16	Q39	6	17
17	N25	20	7
18	N32	27	13
19	K29	5	21
20	N24	27	9
21	P24	15	5
22	N16	27	13
23	Q39	5	17
24	N33	12	13
25	Q24	14	13
26	N25	12	9
27	N17	12	13
28			
	JACK	PIN	LG

63019700 Rev. H



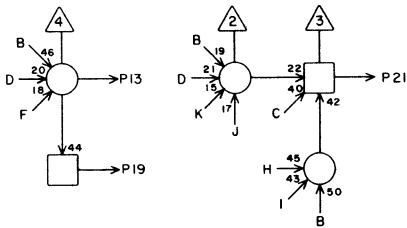
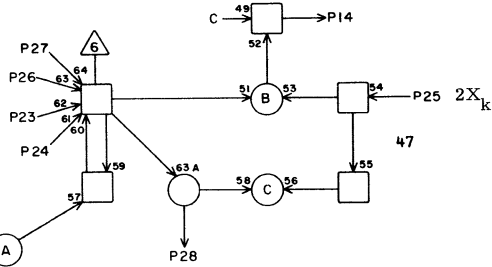
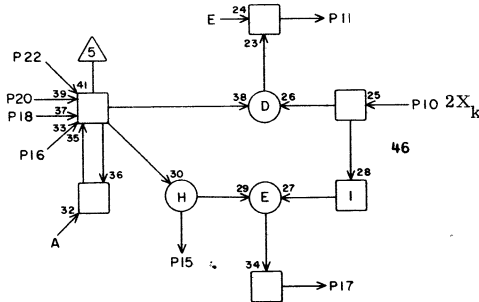
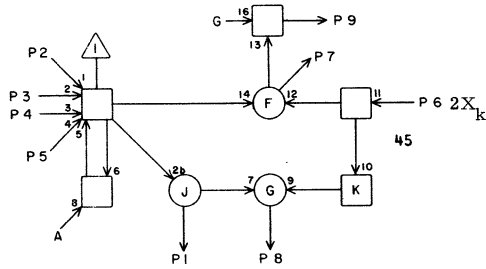
2026

GC 2026

1			
2	Q39	13	15
3	N33	4	11
4	N25	4	7
5	N17	4	13
6	Q24	12	13
7	R41	27	23
8	N26	9	7
9	R41	26	23
10	Q24	10	13
11	R42	2	23
12	L37	18	19
13	P24	4	7
14	R42	3	23
15			
16	Q39	24	15
17	N26	20	7
18	N33	27	13
19			
20	N25	27	9
21	P24	5	5
22	N17	27	13
23	Q39	23	15
24	N34	12	13
25	Q24	8	13
26	N26	12	9
27	N18	12	13
28			
	JACK	PIN	LG

63019700 Rev. H

DIVIDE
 $X_j - 2X_k$



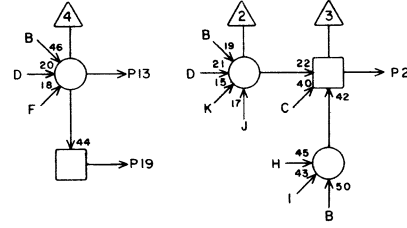
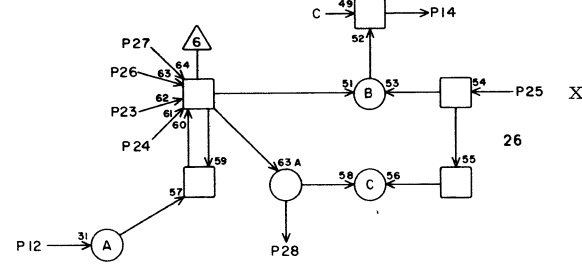
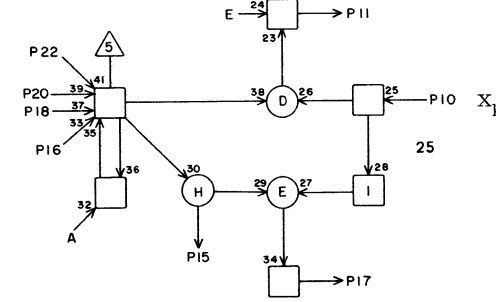
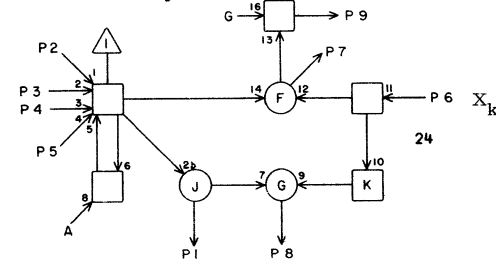
GC 2027

1			
2	O40	6	15
3	N34	4	13
4	N26	4	9
5	N18	4	13
6	Q24	16	13
7	R42	7	23
8	N27	9	7
9	R42	5	23
10	Q24	18	13
11	R42	9	23
12	L37	19	19
13	P25	2	7
14	R42	11	23
15			
16	O40	5	15
17	N27	20	7
18	N34	27	13
19	J27	26	23
20	N26	27	9
21	P25	13	5
22	N18	27	13
23	O40	13	15
24	N35	12	13
25	Q24	20	13
26	N27	12	9
27	N19	12	13
28			

JACK PIN LG

63019700 Rev. H

DIVIDE
 $X_j - X_k$



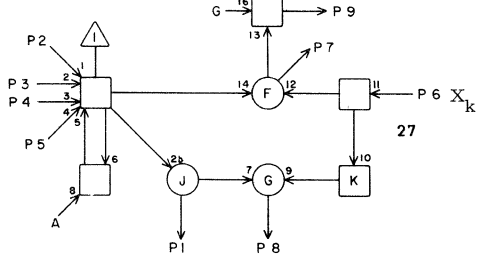
GC 2028

1	N41	8	17
2	M39	25	17
3	L35	1	17
4	L27	1	17
5	L19	1	19
6	Q22	18	13
7	P41	11	17
8	N28	9	7
9	P41	9	17
10	Q22	11	13
11	P41	13	17
12	L37	20	17
13	P28	1	5
14	P41	16	17
15	N41	2	17
16	M40	4	19
17	N28	20	7
18	L35	28	17
19	K35	7	21
20	L27	28	15
21	P28	16	5
22	L19	28	17
23	M40	3	19
24	N28	21	7
25	Q22	9	13
26	N20	21	13
27	N12	21	19
28	N41	5	17

JACK PIN LG

63019700 Rev. H

DIVIDE
 $X_j - X_k$



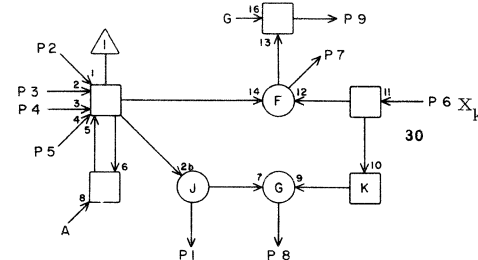
GC

2029

1	N41	1	15
2	N40	17	17
3	N28	1	9
4	N20	1	13
5	N12	1	21
6	Q22	7	13
7	P41	20	17
8	N29	9	7
9	P41	18	17
10	Q22	15	15
11	P41	22	17
12	L37	21	17
13	P28	3	5
14	P41	24	17
15	N41	22	17
16	N40	26	17
17	N29	20	7
18	N28	28	5
19	K35	5	21
20	N20	28	13
21	P28	15	5
22	N12	28	19
23	N40	25	17
24	N29	21	9
25	Q22	17	13
26	N21	21	13
27	N13	21	19
28	N41	21	17
	JACK	PIN	LG

63019700 Rev. H

DIVIDE
 $X_j - X_k$



GC

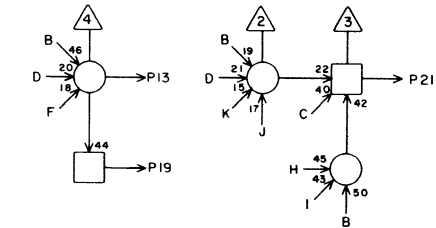
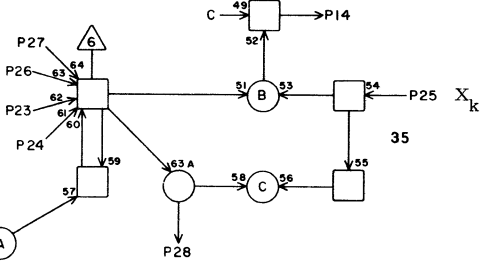
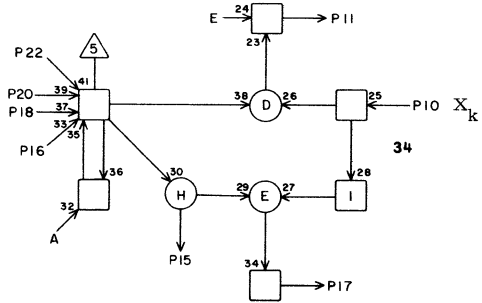
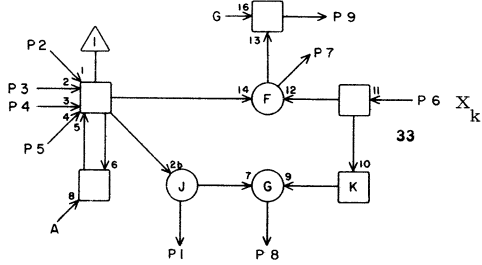
2030

1	N41	23	15
2	N39	4	13
3	N29	1	9
4	N21	1	13
5	N13	1	19
6	Q22	19	15
7	P41	27	17
8	N30	9	9
9	P41	26	17
10	Q22	21	15
11	P42	2	17
12	L37	22	17
13	P28	4	7
14	P42	3	17
15	N41	24	15
16	N39	3	13
17	N30	20	7
18	N29	28	5
19			
20	N21	28	15
21	P28	5	7
22	N13	28	19
23	N39	17	15
24	N30	21	9
25	Q22	13	13
26	N22	21	13
27	N14	21	19
28	N41	25	15
	JACK	PIN	LG

63019700 Rev. H

2030

DIVIDE
 $X_j - X_k$



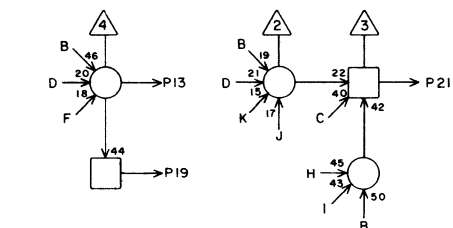
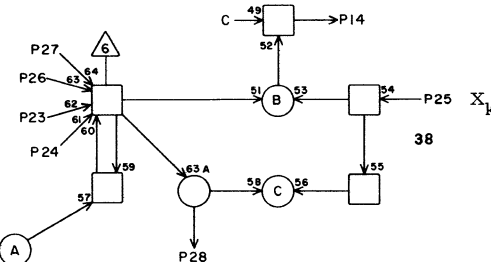
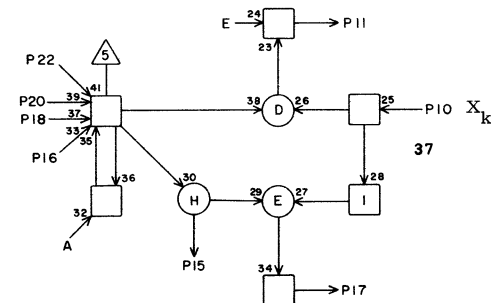
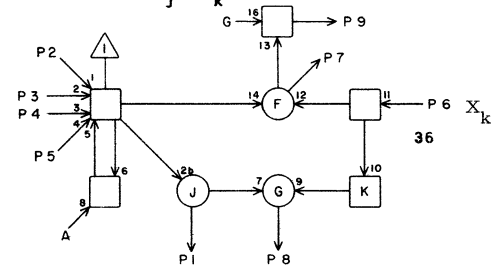
GC

2031

1	N41	26	15
2	N39	26	13
3	N30	1	9
4	N22	1	13
5	N14	1	19
6	Q23	11	13
7	P42	7	17
8	N31	9	7
9	P42	5	17
10	Q23	9	13
11	P42	9	17
12	L37	23	17
13	P29	2	7
14	P42	11	17
15	N41	27	15
16	N39	25	13
17	N31	20	7
18	N31	28	5
19	J27	25	23
20	N22	28	13
21	P29	13	5
22	N14	28	19
23	N40	4	13
24	N31	21	7
25	Q23	7	13
26	N23	21	13
27	N15	21	19
28	N41	28	15
	JACK	PIN	LG

63019700 Rev. H

DIVIDE
 $X_j - X_k$



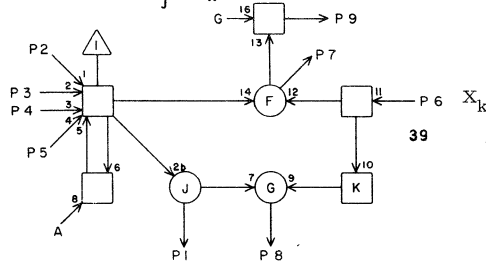
GC

2032

1	Q41	8	120
2	N40	3	13
3	N31	1	9
4	N23	1	13
5	N15	1	21
6	Q23	15	13
7	P42	16	15
8	N32	9	7
9	P42	13	15
10	Q23	17	15
11	P42	18	15
12	L37	24	13
13	P29	1	9
14	P42	20	15
15	Q41	2	120
16	N40	17	13
17	N32	20	7
18	N31	28	5
19	K34	7	21
20	N23	28	13
21	P29	16	9
22	N15	28	21
23	N40	26	13
24	N32	21	9
25	Q23	19	15
26	N24	21	13
27	N16	21	19
28	Q41	5	120
	JACK	PIN	LG

63019700 Rev. H

DIVIDE
 $X_j - X_k$

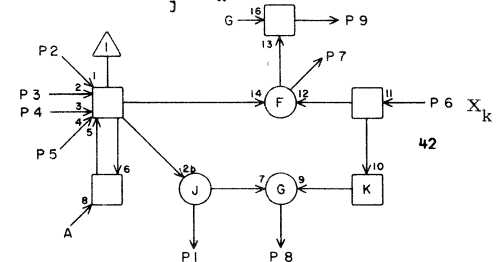


GC 2033

1	O41	1	120
2	N40	25	13
3	N32	1	9
4	N24	1	13
5	N16	1	19
6	Q23	21	17
7	P42	24	15
8	N33	9	7
9	P42	22	15
10	Q24	13	13
11	P42	26	15
12	L37	25	13
13	P29	3	9
14	P42	27	15
15	O41	22	120
16	O39	4	11
17	N33	20	7
18	N32	28	5
19	K34	5	21
20	N24	28	13
21	P29	15	9
22	N16	28	19
23	O39	3	9
24	N33	21	9
25	Q24	11	15
26	N25	21	13
27	N17	21	19
28	O41	21	120
	JACK	PIN	LG

63019700 Rev. H

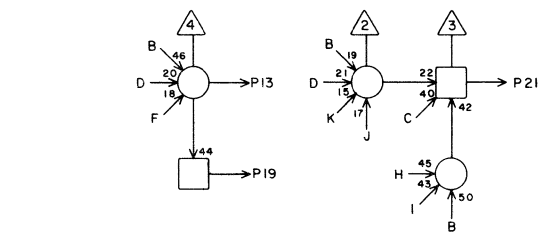
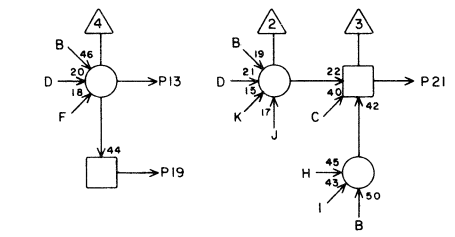
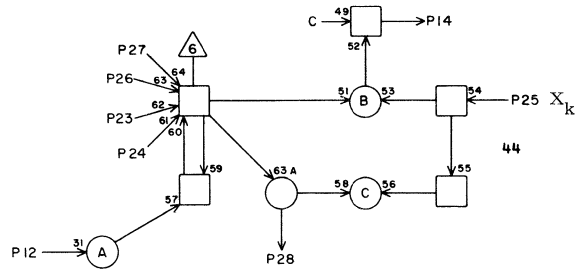
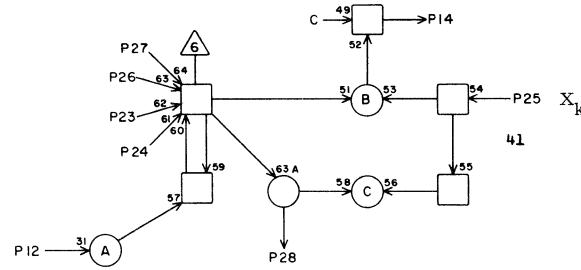
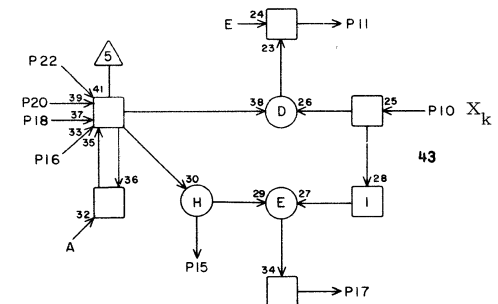
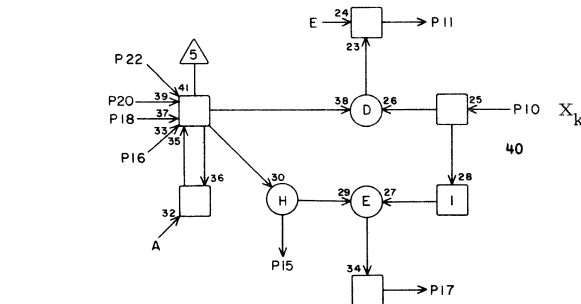
DIVIDE
 $X_j - X_k$



GC 2034

1	O41	23	120
2	O39	17	9
3	N33	1	9
4	N25	1	13
5	N17	1	19
6	Q24	9	17
7	Q42	3	17
8	N34	9	7
9	Q42	2	17
10	Q24	7	15
11	Q42	5	17
12	L37	26	13
13	P29	4	11
14	Q42	7	17
15	O41	24	120
16	O39	26	9
17	N34	20	7
18	N33	28	5
19			
20	N25	28	13
21	P29	5	9
22	N17	28	19
23	O39	25	9
24	N34	21	9
25	Q24	15	15
26	N26	21	13
27	N18	21	19
28	O41	25	120
	JACK	PIN	LG

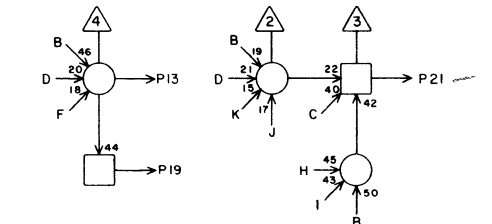
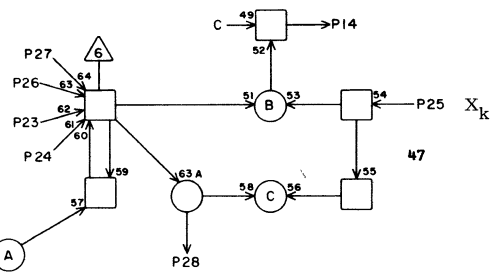
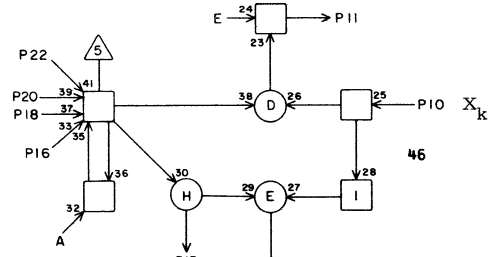
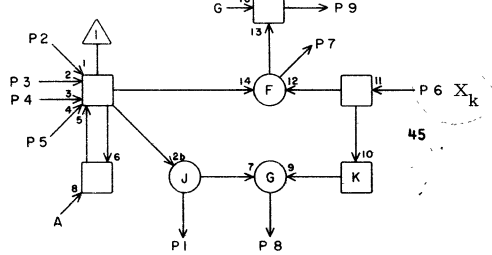
63019700 Rev. H



2034

DIVIDE

$$X_j - X_k$$



GC 2035

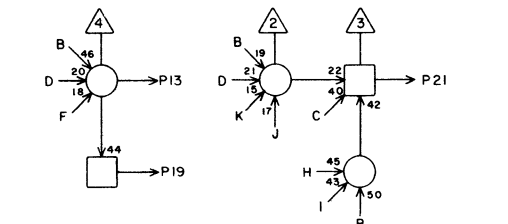
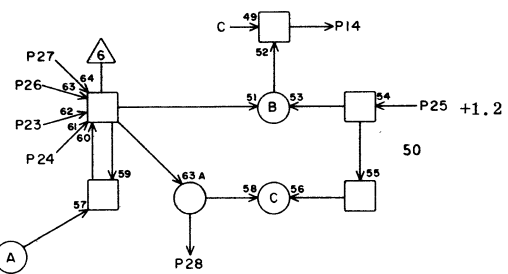
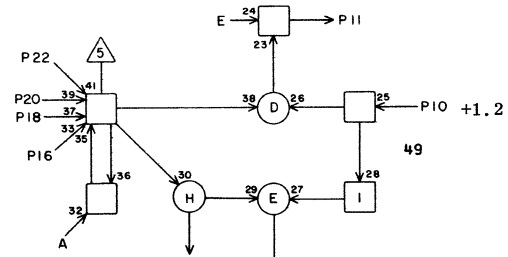
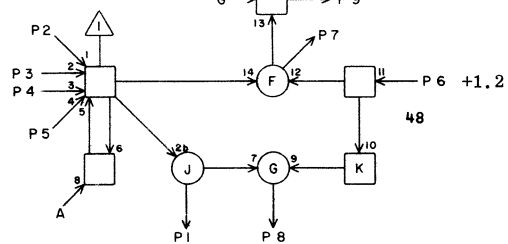
1	O41	26	120
2	O40	4	9
3	N34	1	7
4	N26	1	13
5	N18	1	19
6	Q24	17	17
7	Q42	11	17
8	N35	9	7
9	Q42	9	17
10	Q24	19	17
11	Q42	13	17
12	L37	27	13
13	P30	2	9
14	Q42	16	17
15	O41	27	120
16	O40	3	9
17	N35	20	7
18	N34	28	5
19	J27	28	23
20	N26	28	13
21	P30	13	9
22	N18	28	19
23	O40	17	9
24	N35	21	9
25	Q24	21	17
26	N27	21	13
27	N19	21	19
28	O41	28	120

JACK PIN LG

63019700 Rev. H

DIVIDE

$$X_j - X_k$$



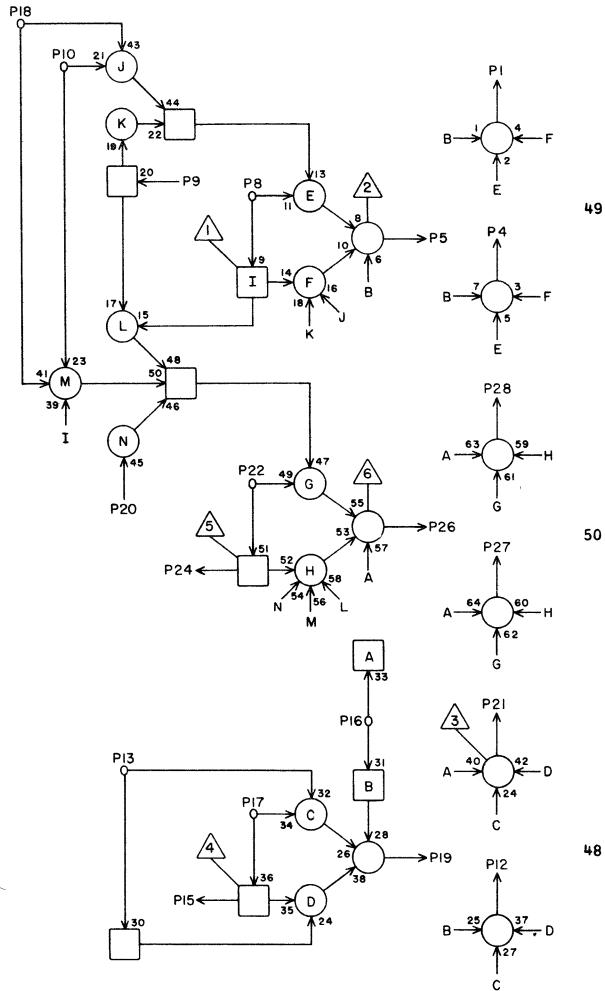
GC 2036

1			
2	O40	26	9
3	N35	1	9
4	N27	1	13
5	N19	1	19
6	P06	27	31
7	Q42	20	17
8	O37	9	5
9	Q42	18	17
10	P07	27	29
11	Q42	22	17
12	L37	28	13
13	P30	1	11
14	Q42	24	17
15			
16	O40	25	7
17	O37	20	3
18	N35	28	5
19	K33	7	21
20	N27	28	13
21	P30	16	9
22	N19	28	19
23			
24	O37	21	5
25	P08	27	29
26	N37	21	9
27	N37	21	13
28			

JACK PIN LG

63019700 Rev. H

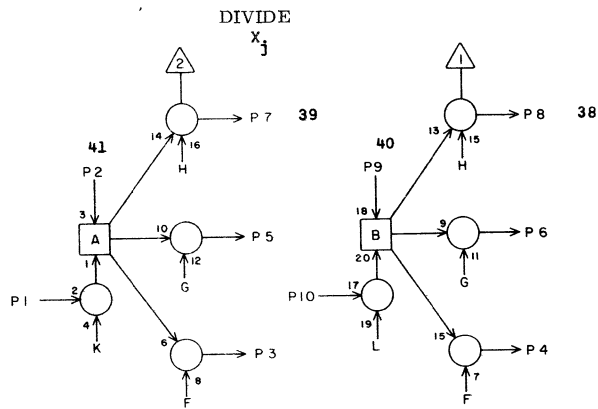
DIVIDE
 $x_j - x_k$



GD 2037

1			
2			
3			
4			
5			
6			
7			
8	Q42	21	17
9	O36	8	5
10	Q42	19	17
11			
12	N36	24	9
13	P30	23	11
14			
15			
16	K18	21	25
17	Q42	17	17
18	P30	24	11
19	M36	24	11
20	O36	17	3
21	O36	24	5
22	Q42	23	17
23			
24			
25			
26			
27			
28			

JACK PIN LG

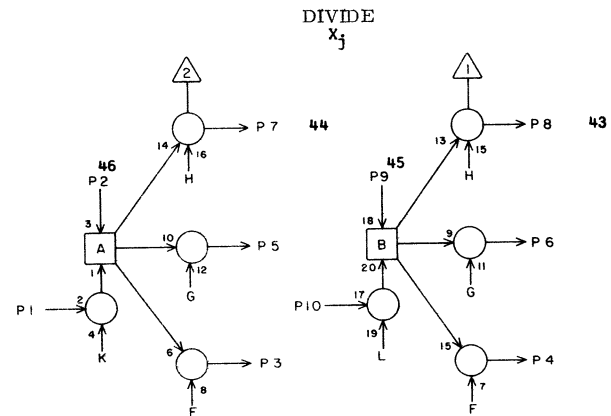


GF 2039

1	041	9	5
2	L06	3	33
3	033	23	9
4	033	16	11
5	025	23	17
6	025	16	17
7	017	23	25
8	017	16	23
9	L06	1	37
10	041	11	5
11	041	14	5
12	L06	5	33
13	026	2	15
14	008	27	31
15	018	2	23
16	N42	15	9
17	034	2	9
18	K19	13	27
19	041	13	5
20	L07	1	33
21	018	23	23
22	018	16	23
23	026	23	15
24	026	16	15
25	034	23	9
26	034	16	9
27	L06	7	35
28	041	19	9

JACK PIN LG

63019700 Rev. H



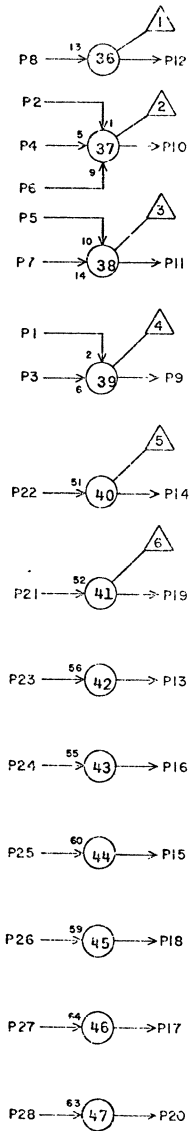
GF 2040

1	041	15	5
2	L07	5	33
3	035	16	9
4	035	2	9
5	027	16	15
6	027	2	15
7	019	16	23
8	019	2	23
9	L07	3	33
10	041	16	3
11	041	18	3
12	L07	7	33
13	027	23	15
14	008	28	31
15	019	23	23
16	N42	13	9
17	035	23	9
18	K19	14	27
19	041	20	3
20		Grd	2
21	M36	16	13
22	M36	2	13
23	N36	16	11
24	N36	2	11
25	036	16	7
26	036	2	9
27		Grd	2
28	041	17	5

JACK PIN LG

63019700 Rev. H

NO CHANGE PATH



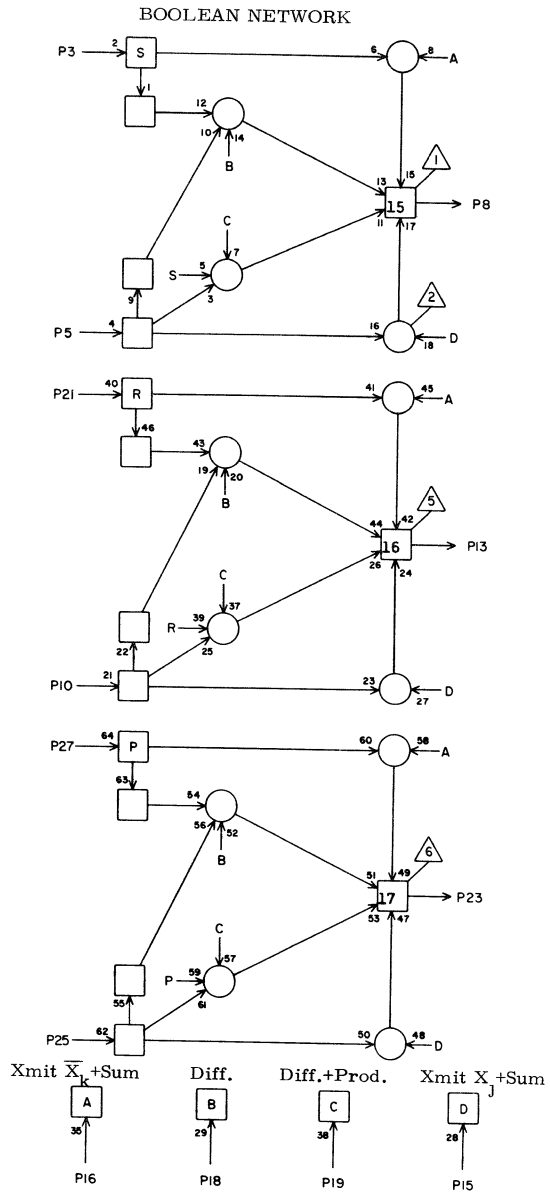
2041

TL 2041

1	033	1	120
2	032	15	120
3			
4			
5	032	28	120
6			
7			
8	032	1	120
9	039	1	5
10	N40	19	9
11	039	10	5
12	N40	28	5
13	039	19	5
14	039	11	5
15	040	1	53
16	040	10	3
17	040	28	5
18	040	11	3
19	039	28	9
20	040	19	3
21	033	28	120
22	033	15	120
23	034	1	120
24	034	15	120
25	034	28	120
26	035	1	120
27	035	15	120
28	035	28	120

JACK PIN LG

63019700 Rev. II

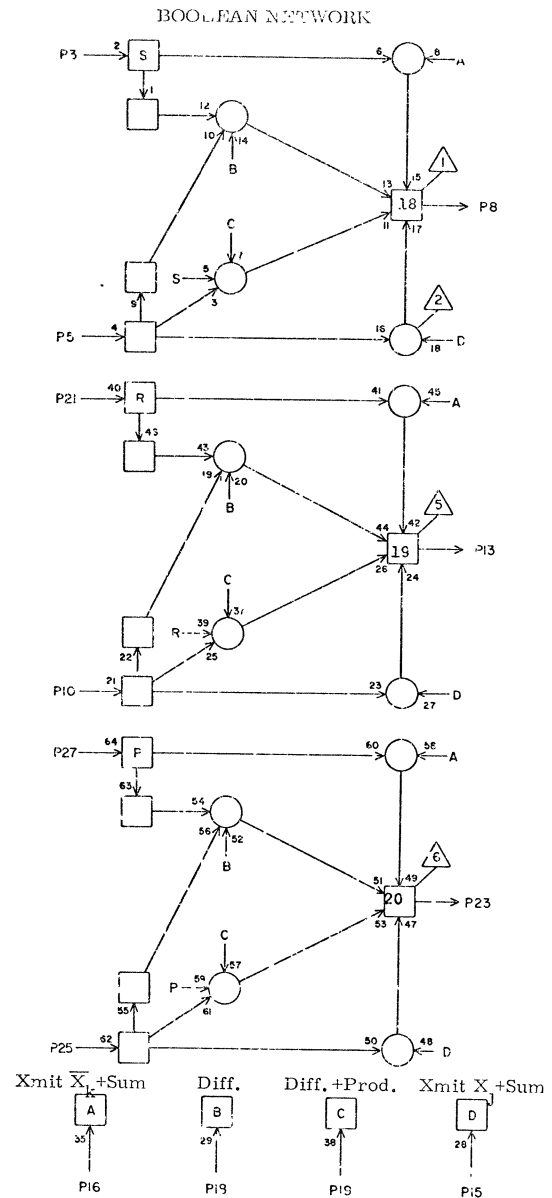


GB **2P01**

1			
2			
3	R09	17	15
4			
5	Q09	17	13
6			
7			
8	Q03	22	9
9			
10	Q10	25	13
11			
12			
13	Q03	16	9
14			
15	Q04	11	9
16	Q01	11	9
17			
18	Q02	11	9
19	Q03	11	9
20			
21	R10	25	15
22			
23	Q03	26	9
24			
25	Q10	21	13
26			
27	R10	21	15
28			

JACK PIN LG

63019700 Rev. H



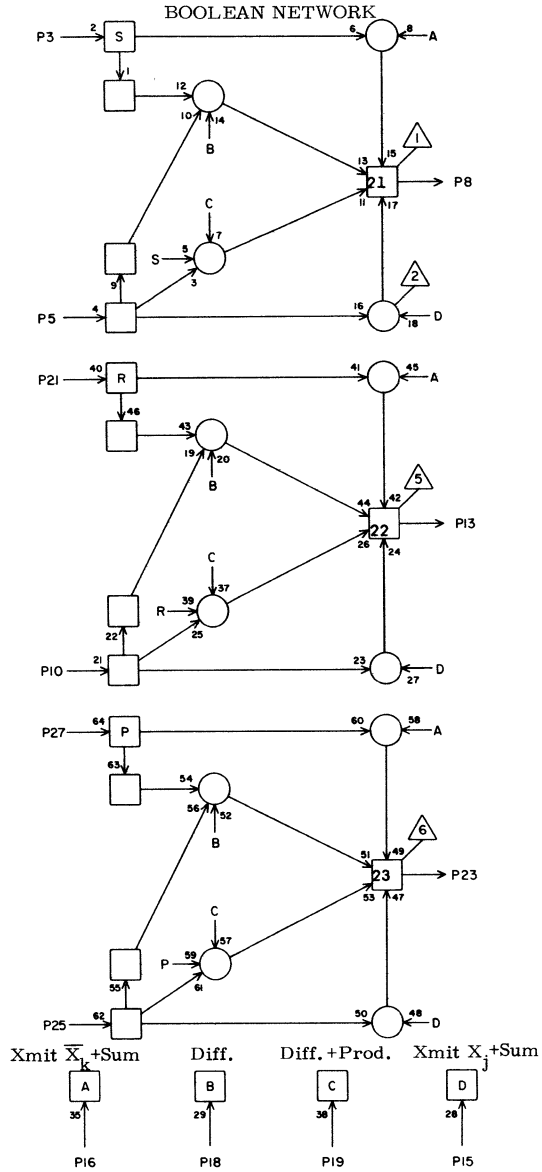
GB **2P02**

1			
2			
3	R10	19	15
4			
5	Q10	19	13
6			
7			
8	Q04	4	7
9			
10	Q10	17	13
11			
12			
13	Q04	6	7
14			
15	Q04	13	9
16	Q01	13	9
17			
18	Q02	13	9
19	Q03	13	9
20			
21	R10	17	15
22			
23	Q04	12	5
24			
25	N06	25	13
26			
27	R05	25	7
28			

JACK PIN LG

2P02

63019700 Rev. H

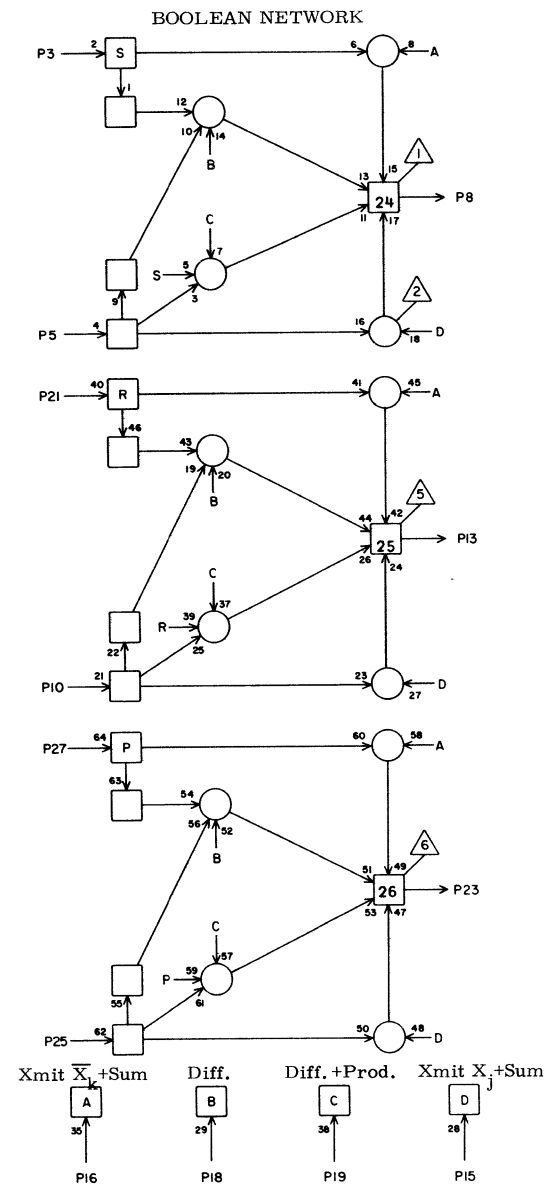


GB 2P03

1			
2			
3	P06	21	5
4			
5	N06	21	11
6			
7			
8	Q04	22	7
9			
10	N06	19	15
11			
12			
13	Q04	16	9
14			
15	Q04	15	9
16	Q01	15	9
17			
18	Q02	15	9
19	Q03	15	9
20			
21	P06	19	5
22			
23	Q04	26	9
24			
25	N06	17	13
26			
27	P06	17	5
28			

JACK PIN LG

63019700 Rev. E

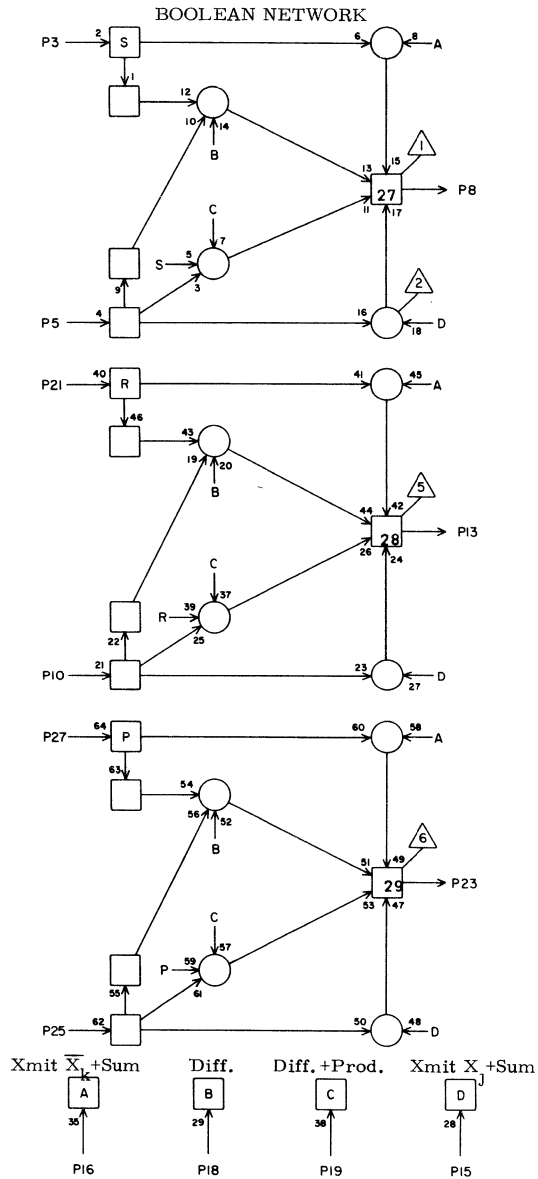


GB 2P04

1			
2			
3	P07	25	5
4			
5	N07	25	13
6			
7			
8	Q05	4	7
9			
10	N07	21	11
11			
12			
13	Q05	6	11
14			
15	Q04	17	7
16	Q01	17	9
17			
18	Q02	17	9
19	Q03	17	9
20			
21	P07	21	5
22			
23	Q05	12	5
24			
25	N07	19	13
26			
27	P07	19	5
28			

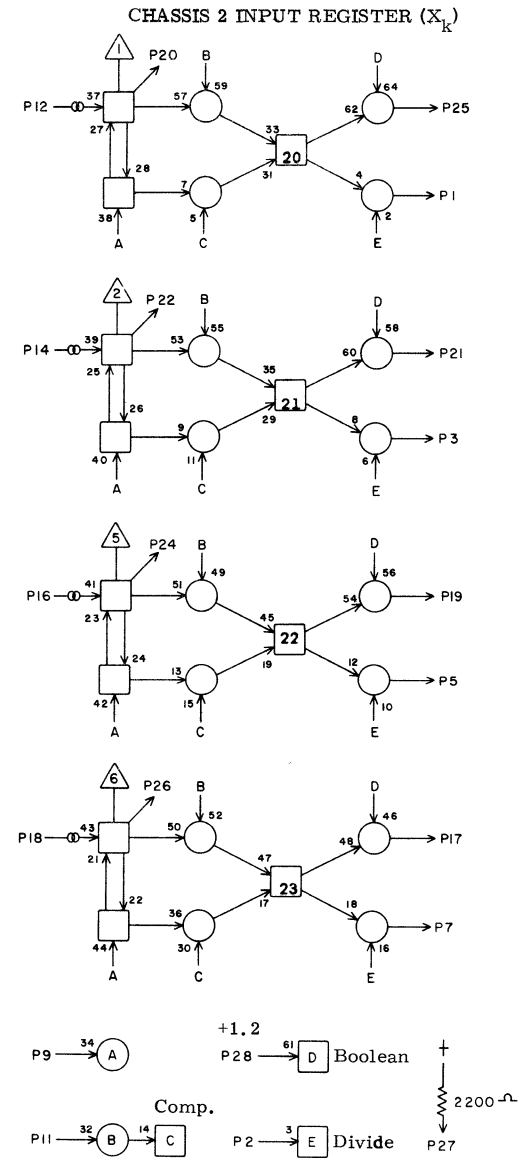
JACK PIN LG

63019700 Rev. H



GB		2P05	
JACK	PIN	LG	
1			
2			
3	P07	17	5
4			
5	N07	17	11
6			
7			
8	Q05	22	9
9			
10	N08	25	11
11			
12			
13	Q05	16	9
14			
15	004	18	7
16	001	18	9
17			
18	002	18	9
19	003	18	9
20			
21	P08	25	5
22			
23	Q05	26	9
24			
25	N08	21	13
26			
27	P08	21	5
28			

63019700 Rev. H

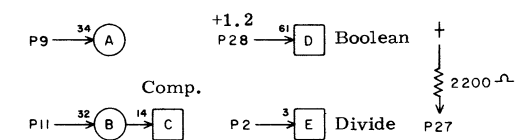
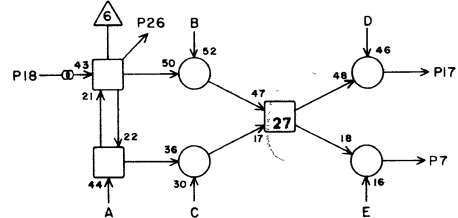
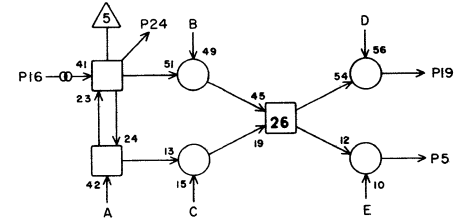
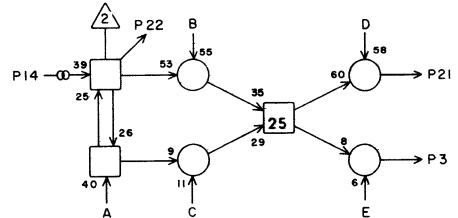
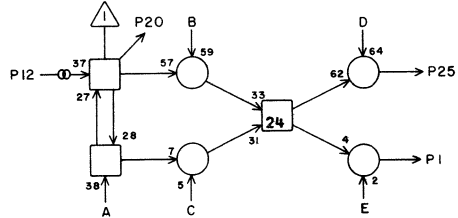


2P06

GA		2P06	
JACK	PIN	LG	
1	R17	15	17
2	P14	6	11
3	R18	11	17
4			
5	R18	10	17
6			
7	R18	15	17
8			
9	P11	24	9
10			
11	P12	6	9
12	W28	92	
13			
14	W28	93	
15			
16	W28	94	
17	P03	27	5
18	W28	95	
19	P03	21	5
20	I04	12	31
21	P03	3	5
22	I04	22	29
23			
24	I04	16	31
25	P02	27	7
26	I04	26	29
27	036	6	31
28	P13	6	11

63019700 Rev. H

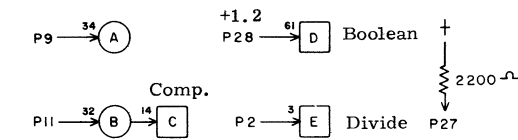
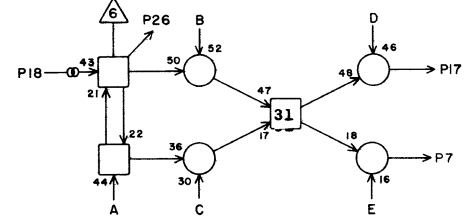
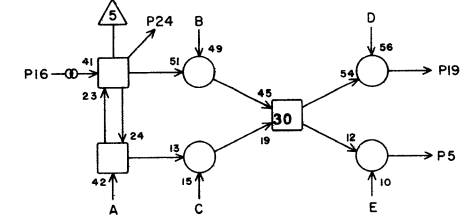
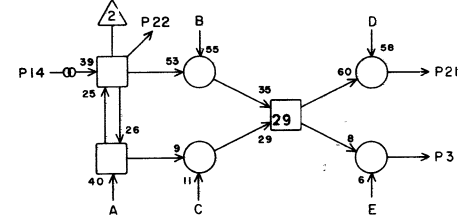
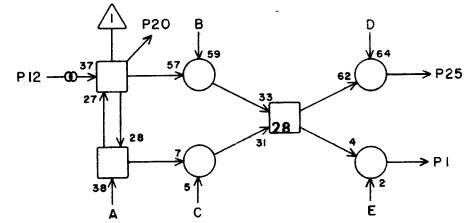
CHASSIS 2 INPUT REGISTER (X_k)



GA **2P07**

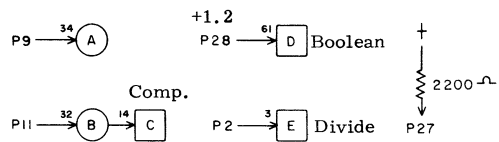
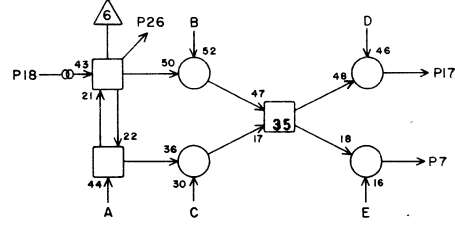
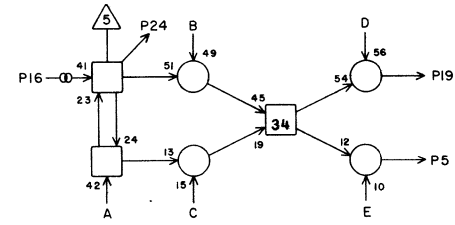
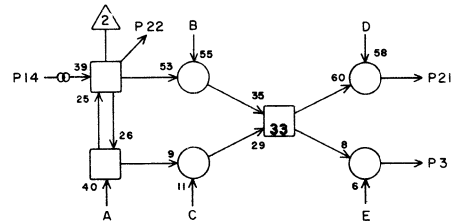
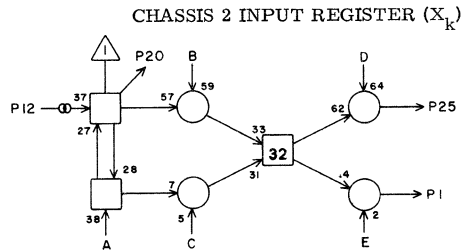
1	R19	11	17
2	P14	7	9
3	R19	10	17
4			
5	R19	15	17
6			
7	R20	11	17
8			
9	P11	20	5
10			
11	P12	7	9
12	W28	96	
13			
14	W28	97	
15			
16	W28	98	
17	P05	3	5
18	W28	99	
19	P04	27	5
20	I05	4	31
21	P04	21	5
22	I05	6	31
23			
24	I05	12	31
25	P04	3	5
26	I05	22	31
27	O36	10	29
28	P13	7	11

CHASSIS 2 INPUT REGISTER (X_k)



GA **2P08**

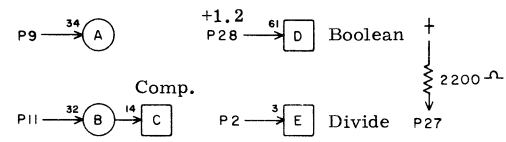
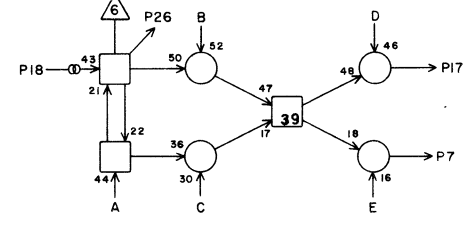
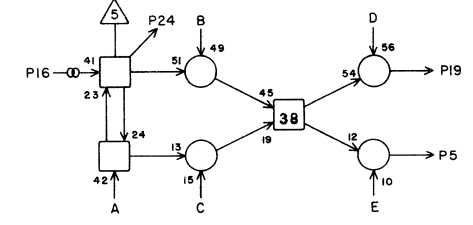
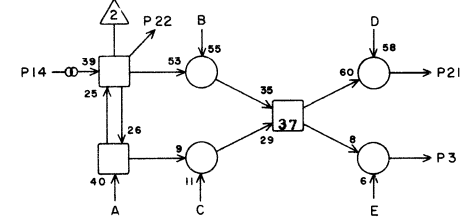
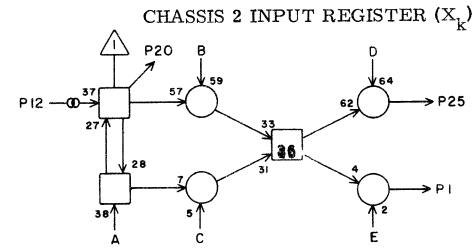
1	R20	10	17
2	P14	8	9
3	R20	15	17
4			
5	R21	11	17
6			
7	R21	10	17
8			
9	P11	23	5
10			
11	P12	8	5
12	W28	900	
13			
14	W28	901	
15			
16	W28	902	
17	N01	21	15
18	W28	903	
19	N01	3	15
20	I05	16	31
21	P05	27	5
22	I05	26	29
23			
24	I06	4	31
25	P05	21	5
26	I06	6	31
27	O36	25	29
28	P13	8	9



GA **2P09**

1	R21	15	17
2	P14	9	9
3	R22	11	17
4			
5	R22	10	17
6			
7	R22	15	19
8			
9	P11	9	5
10			
11	P12	9	5
12	W28	904	
13			
14	W28	905	
15			
16	W28	906	
17	N02	27	13
18	W28	907	
19	N02	21	15
20	I06	12	31
21	N02	3	15
22	I06	22	31
23			
24	I06	16	31
25	N01	27	15
26	I06	26	31
27	N36	10	29
28	P13	9	9
	JACK	PIN	LG

63019700 Rev. H

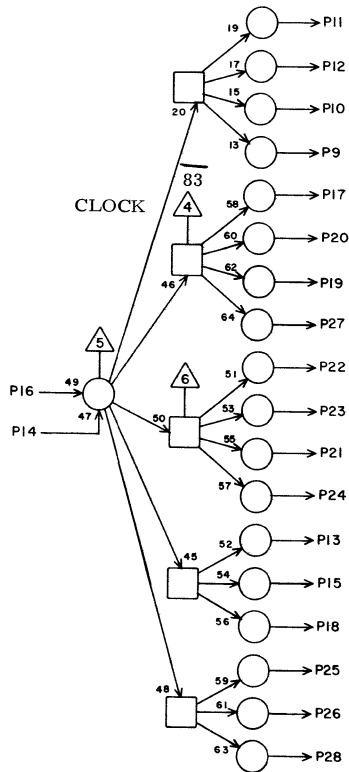
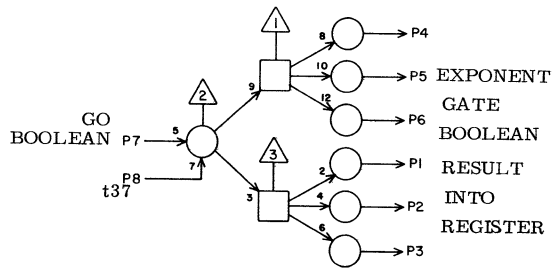


GA **2P10**

1	R23	11	17
2	P14	10	7
3	R23	10	17
4			
5	R23	15	19
6			
7	R24	11	19
8			
9	P11	10	3
10			
11	P12	10	5
12	W29	90	
13			
14	W29	91	
15			
16	W29	92	
17	N04	3	15
18	W29	93	
19	N03	27	15
20	I07	4	31
21	N03	21	15
22	I07	6	31
23			
24	I07	12	31
25	N03	3	15
26	I07	22	31
27	N36	25	29
28	P13	10	5
	JACK	PIN	LG

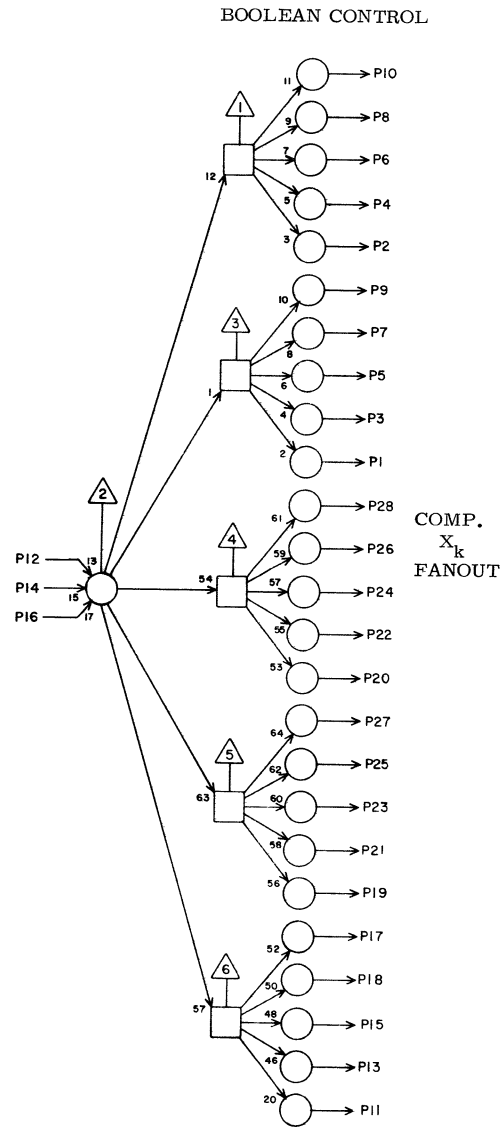
2P10

63019700 Rev. H



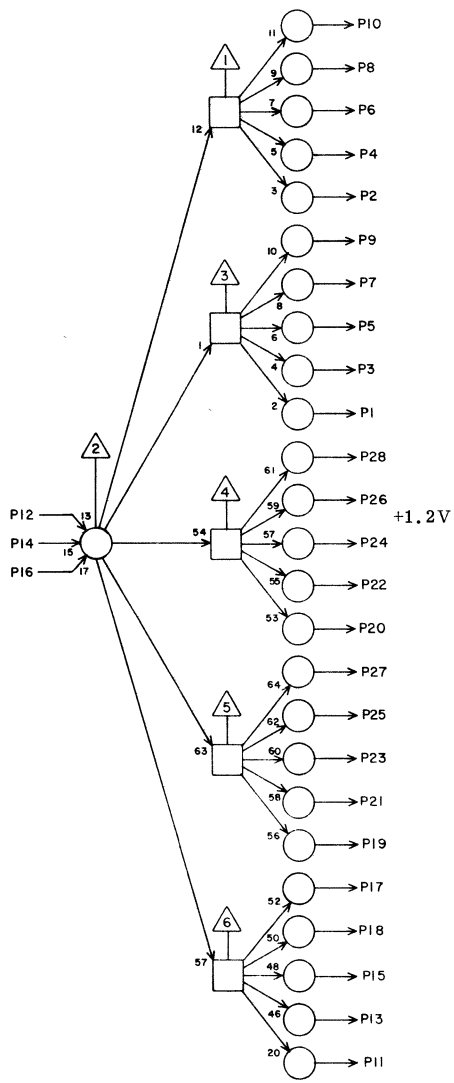
CB		2P11	
JACK	PIN	LG	
1	M4	11	13
2	M5	11	13
3			
4			
5			
6			
7	D27	19	53
8	J25	1	29
9	P09	9	5
10	P10	9	3
11	R06	9	13
12			
13	R07	9	13
14	C07	26	57
15	R08	9	13
16		Grd	2
17	R09	9	13
18	R10	9	11
19			
20	P07	9	5
21	M07	9	15
22	M06	9	15
23	P08	9	5
24	P06	9	9
25			
26			
27			
28			

63019700 Rev. H



CA		2P12	
JACK	PIN	LG	
1	M06	11	17
2	M07	11	15
3	M08	11	15
4	M09	11	15
5	M10	11	15
6	P06	11	9
7	P07	11	9
8	P08	11	5
9	P09	11	5
10	P10	11	5
11	R06	11	13
12	A39	16	65
13	R07	11	11
14	H27	13	37
15	R08	11	13
16		Grd	2
17	R09	11	13
18	R10	11	13
19			
20			
21			
22			
23			
24			
25			
26			
27			
28			

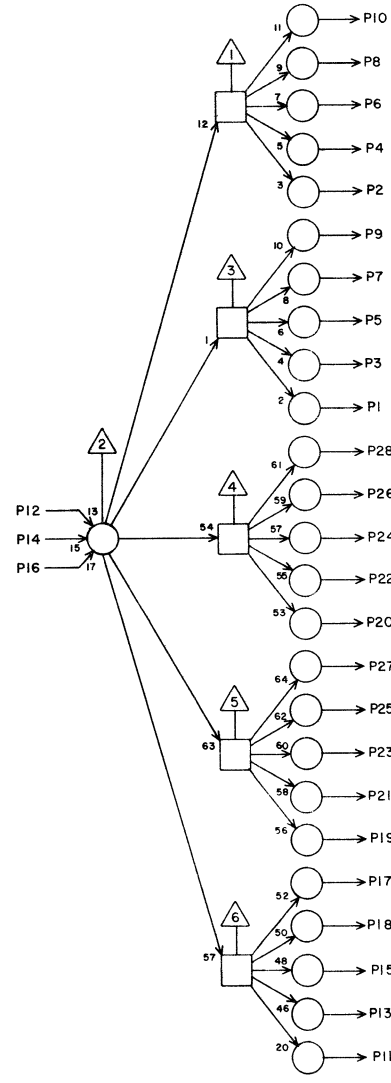
63019700 Rev. H



CA		2P13	
JACK	PIN	LG	
1	M06	28	15
2	M07	28	15
3	M08	28	15
4	M09	28	15
5	M10	28	15
6	P06	28	11
7	P07	28	11
8	P08	28	9
9	P09	28	9
10	P10	28	5
11	R06	28	15
12		Grd	2
13	R07	28	15
14		Grd	2
15	R08	28	15
16		Grd	2
17	R09	28	15
18	R10	28	13
19			
20			
21			
22			
23			
24			
25			
26			
27			
28			

63019700 Rev. H

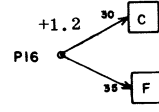
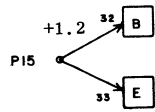
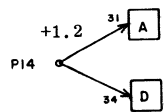
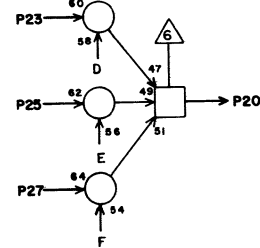
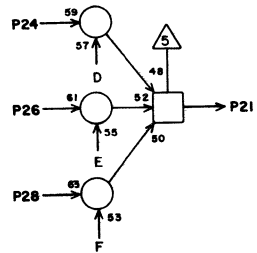
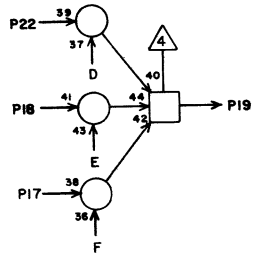
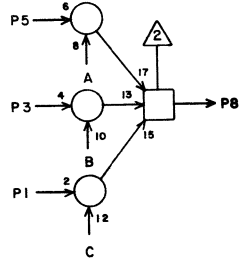
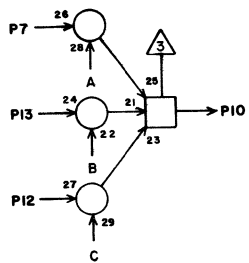
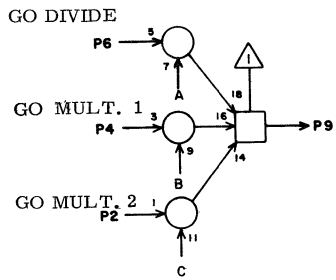
GATE DIVIDE X_k
COEFFICIENT



CA		2P14	
JACK	PIN	LG	
1	M06	2	17
2	M07	2	17
3			
4			
5			
6	P06	2	11
7	P07	2	9
8	P08	2	9
9	P09	2	9
10	P10	2	7
11	R06	2	15
12	G15	5	37
13	R07	2	15
14	J25	8	29
15	R08	2	13
16			
17	R09	2	13
18	R10	2	11
19			
20			
21			
22			
23			
24			
25			
26			
27			
28			

63019700 Rev. H

2P14



TE

2P15

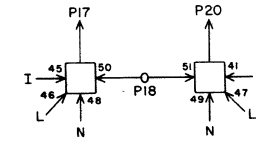
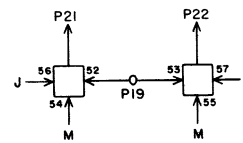
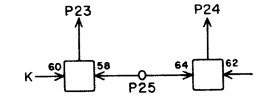
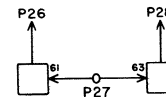
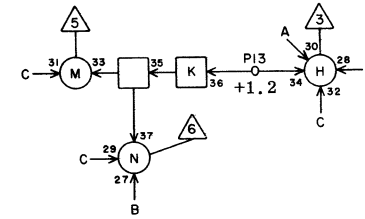
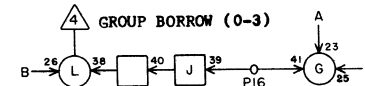
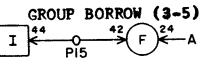
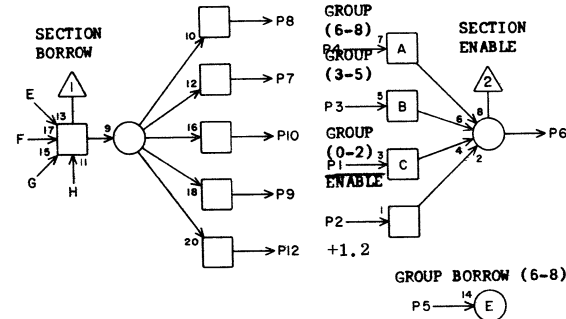
1			
2	M11	5	13
3			
4	M11	21	13
5			
6	D27	27	53
7			
8			
9	I12	14	84
10			
11			
12			
13			
14	I12	8	29
15	I12	10	29
16	I12	12	29
17			
18			
19			
20			
21			
22			
23			
24			
25			
26			
27			
28			

JACK PIN LG

63019700 Rev. H

DIVIDE

$$X_j - 3X_k$$



FB

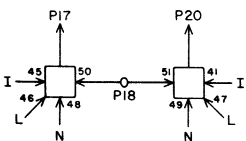
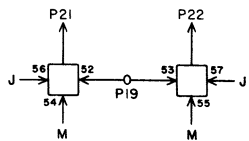
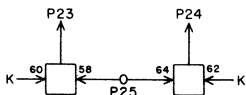
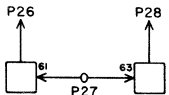
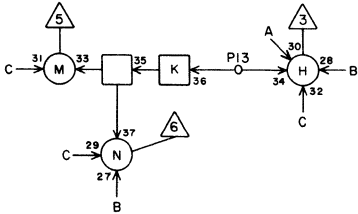
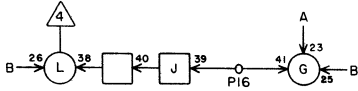
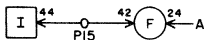
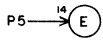
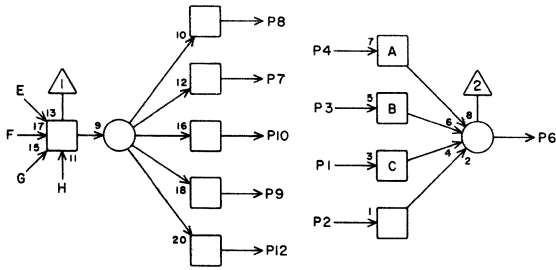
2P16

1	M12	13	15
2	Q10	27	13
3	M13	13	15
4	M14	13	15
5	M14	21	15
6	K22	13	23
7	K21	21	23
8	K22	14	23
9	K24	17	23
10	K23	19	23
11			
12	K25	13	25
13	R06	27	17
14			
15	M13	21	15
16	M12	21	15
17	I14	13	19
18	K21	24	23
19	K21	6	25
20	I14	18	19
21	I13	13	19
22	I13	18	19
23	I12	13	21
24	I12	18	19
25			
26	G21	28	35
27	G21	20	37
28			

JACK PIN LG

63019700 Rev. AD

DIVIDE
 $X_j - 3X_k$

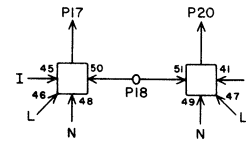
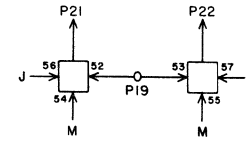
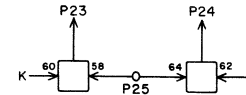
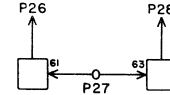
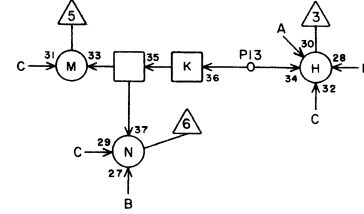
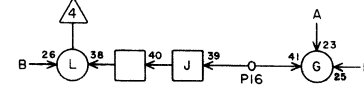
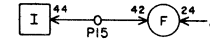
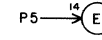
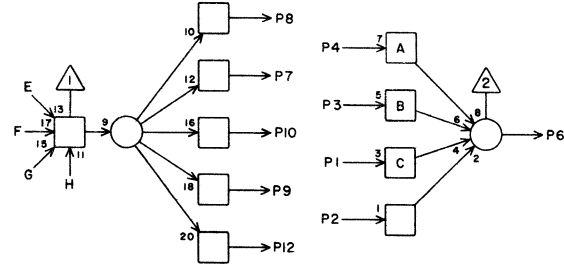


FB **2P17**

1	M16	13	15
2	M15	13	15
3	M17	13	15
4	M18	13	15
5	M18	21	15
6	K22	9	23
7	K21	19	23
8	K22	21	23
9	K24	18	23
10	K23	17	23
11			
12	K25	11	25
13	M15	21	15
14			
15	M17	21	15
16	M16	21	15
17	L18	13	19
18	K22	28	23
19	K22	24	23
20	L18	18	19
21	L17	13	19
22	L17	18	19
23	L16	13	19
24	L16	18	19
25	K22	18	23
26	L15	13	21
27	K22	16	23
28	L15	18	21

JACK PIN LG

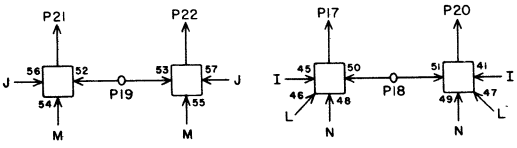
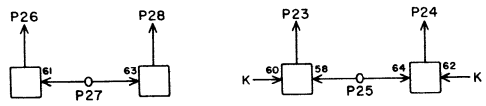
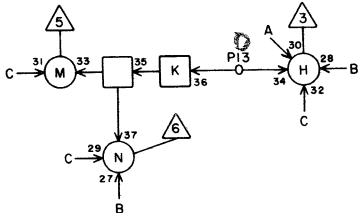
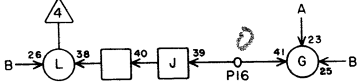
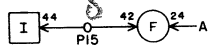
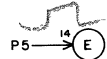
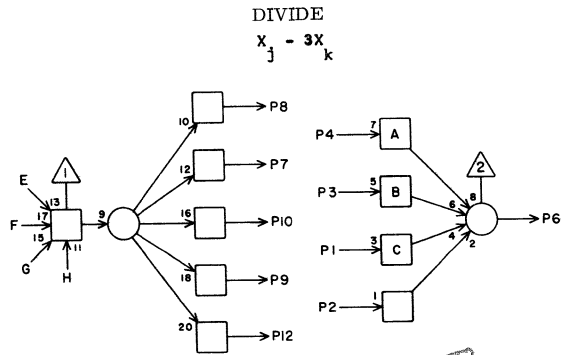
DIVIDE
 $X_j - 3X_k$



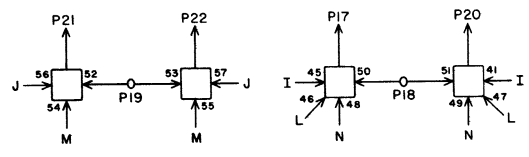
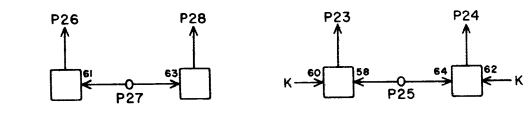
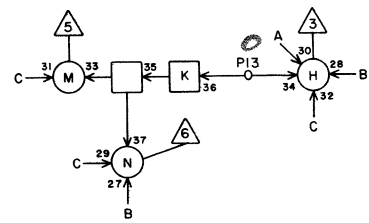
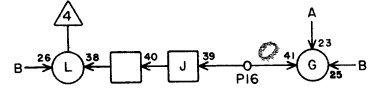
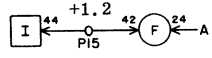
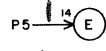
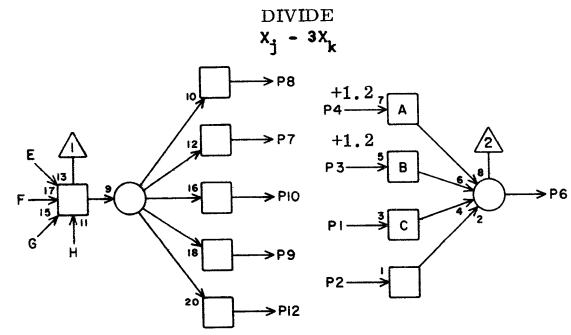
FB **2P18**

1	O12	13	11
2	M19	13	15
3	O13	13	9
4	O14	13	9
5	O14	21	9
6	K22	7	23
7	K21	17	23
8	K22	20	23
9	K24	11	23
10	K23	13	23
11			
12	K25	21	23
13	M19	21	15
14			
15	O13	21	9
16	O12	21	11
17	N14	13	13
18	K25	24	25
19	K25	6	25
20	N14	18	13
21	N13	13	13
22	N13	18	13
23	N12	13	15
24	N12	18	15
25	K25	26	25
26	L19	13	19
27	K25	10	25
28	L19	18	21

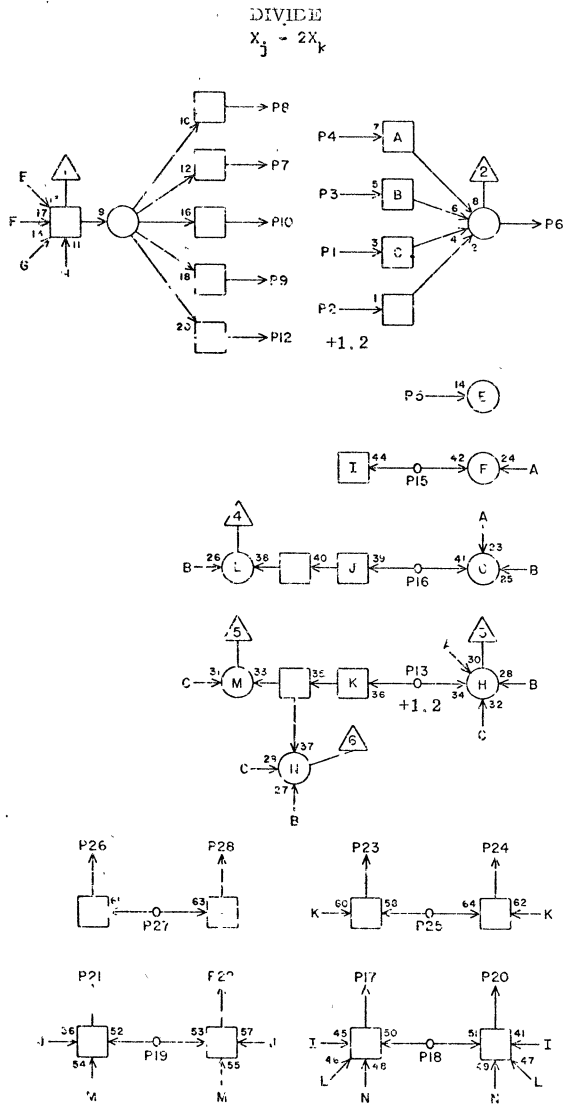
JACK PIN LG



	FB	2P19	
1	Q16	13	7
2	O15	13	9
3	O17	13	7
4	O18	13	7
5	O18	21	7
6	K22	3	23
7	K21	13	23
8	K22	22	23
9	K24	21	23
10	K23	11	23
11			
12	K25	19	23
13	O15	21	9
14			
15	O17	21	7
16	O16	21	9
17	N18	13	13
18	K24	24	25
19	K24	6	25
20	N18	18	13
21	N17	13	13
22	N17	18	13
23	N16	13	13
24	N16	18	13
25	K24	26	25
26	N15	13	13
27	K24	10	25
28	N15	18	13
	JACK	PIN	LG



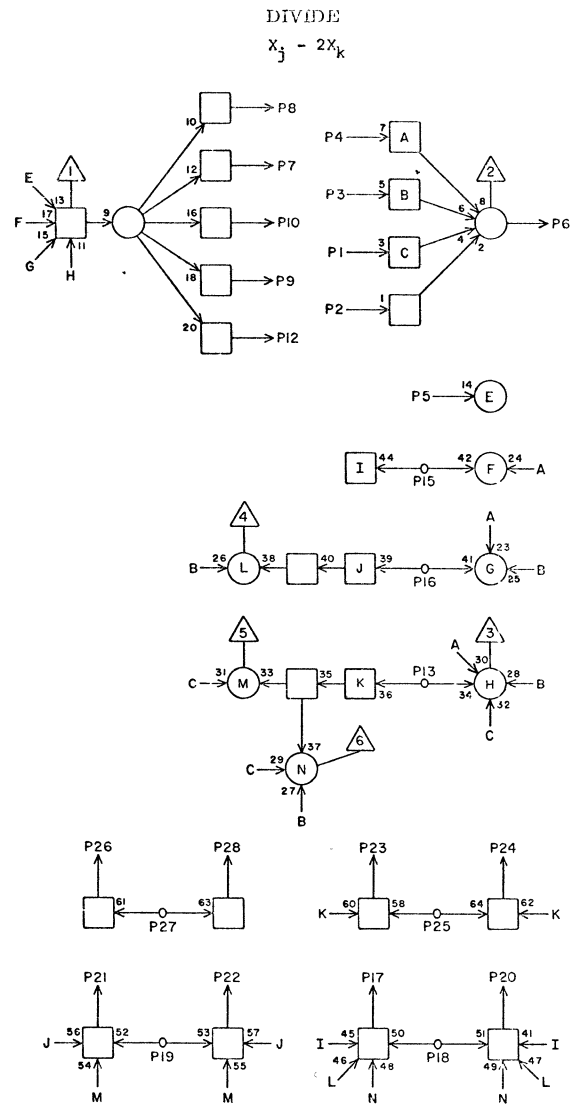
	FB	2P20	
1	M36	13	21
2	O19	13	5
3	Q14	24	13
4	Q14	25	13
5	Q14	26	13
6	K22	1	25
7	K21	11	23
8	K22	19	23
9	K24	19	23
10	K23	21	23
11			
12	K25	17	23
13	O19	21	5
14			
15	G36	17	41
16	M36	21	23
17			
18	K23	24	23
19	K23	6	23
20			
21			
22			
23	M37	13	23
24	M37	18	23
25	K23	26	23
26	N19	13	13
27	K23	10	23
28	N19	18	13
	JACK	PIN	LG



FB 2P21

JACK	PIN	LG
1	M20	13 15
2	Q06	27 19
3	M21	13 15
4	M22	13 15
5	M22	21 15
6	K27	13 23
7	K26	21 23
8	K27	14 23
9	K29	17 23
10	K28	19 23
11		
12	K30	13 25
13	Q07	27 17
14		
15	M21	21 15
16	M20	21 15
17	L22	13 19
18	K26	24 23
19	K26	6 23
20	L22	18 19
21	L21	13 19
22	L21	18 19
23	L20	13 19
24	L20	18 19
25		
26		
27	K26	10 25
28		

JACK PIN LG

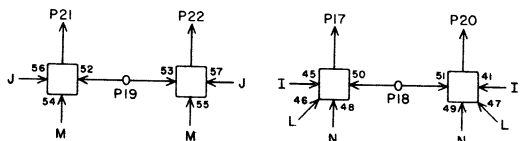
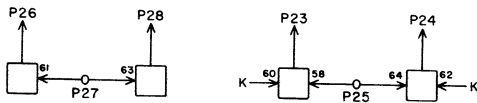
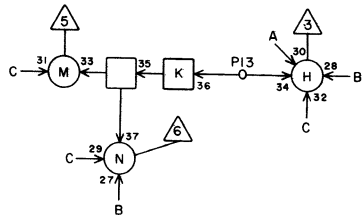
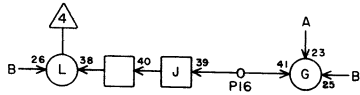
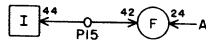
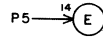
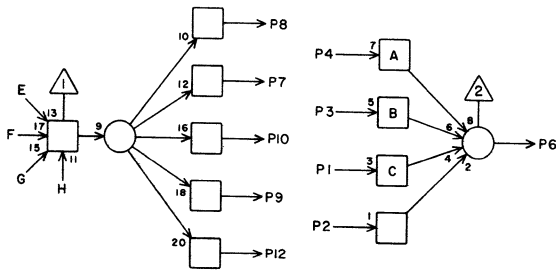


FB 2P22

JACK	PIN	LG
1	M24	13 13
2	L23	13 13
3	M25	13 13
4	M26	13 13
5	M26	21 15
6	K27	9 23
7	K26	19 23
8	K27	21 23
9	K29	18 23
10	K28	17 23
11		
12	K30	11 23
13	M33	21 15
14		
15	M25	21 15
16	M24	21 13
17	L26	13 13
18	K27	23 23
19	K27	24 23
20	L26	18 19
21	L25	13 21
22	L25	18 19
23	L24	13 19
24	L24	18 19
25	K27	18 25
26	L23	13 19
27	K27	15 23
28	L23	18 13

JACK PIN LG

DIVIDE
 $X_j - 2X_k$



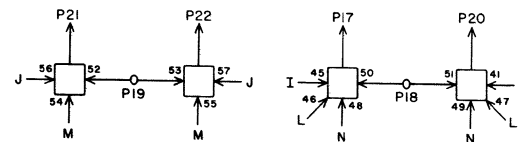
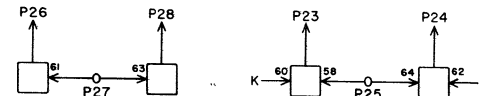
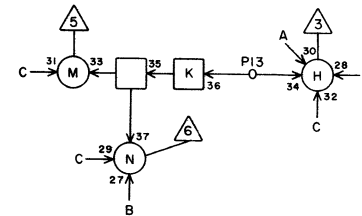
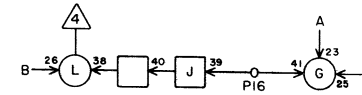
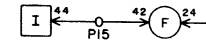
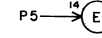
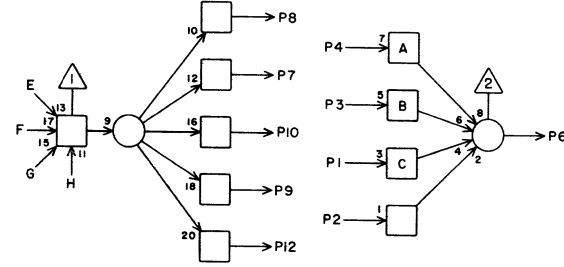
FB 2P23

1	O20	13	7
2	M27	13	15
3	O21	13	9
4	O22	13	7
5	O22	21	5
6	K27	7	23
7	K26	17	23
8	K27	20	23
9	K29	11	23
10	K28	13	23
11			
12	K30	21	23
13	M27	21	15
14			
15	O21	21	9
16	O20	21	9
17	N22	13	13
18	K30	24	23
19	K30	6	25
20	N22	18	13
21	N21	13	13
22	N21	18	13
23	N20	13	13
24	N20	18	13
25	K30	26	23
26	L27	13	21
27	K30	10	25
28	L27	18	19

JACK PIN LG

63019700 Rev. H

DIVIDE
 $X_j - 2X_k$

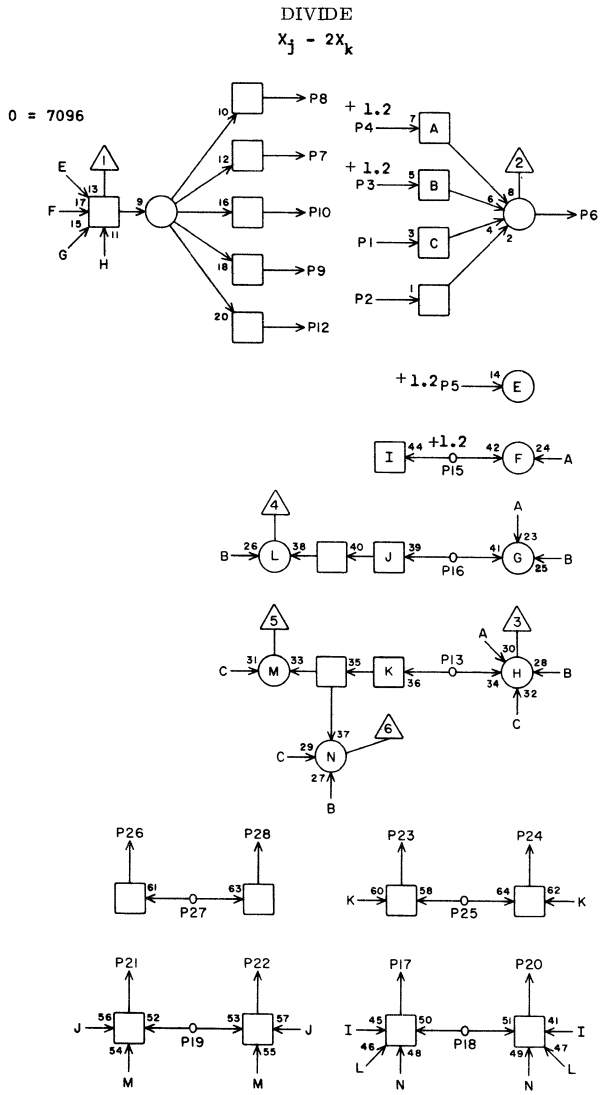


FB 2P24

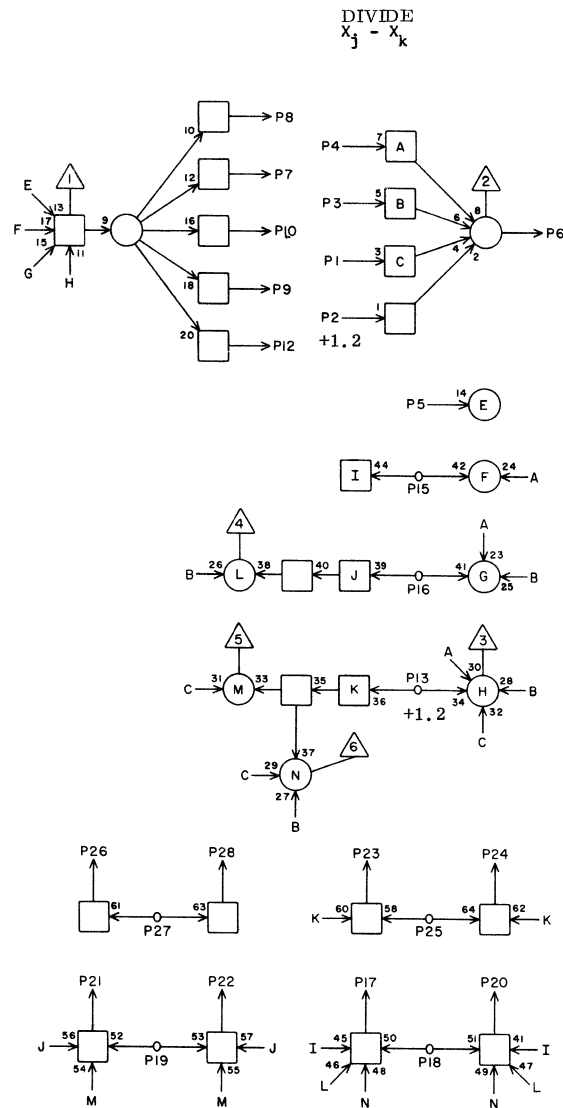
1	O24	13	7
2	O23	13	5
3	O25	13	5
4	O26	13	7
5	O26	21	5
6	K27	3	23
7	K26	13	23
8	K27	22	23
9	K29	21	23
10	K28	11	23
11			
12	K30	19	23
13	O23	21	5
14			
15	O25	21	5
16	O24	21	7
17	N26	13	13
18	K29	24	23
19	K29	6	25
20	N26	18	13
21	N25	13	13
22	N25	18	13
23	N24	13	13
24	N24	18	13
25	K29	26	23
26	N23	13	13
27	K29	10	25
28	N23	18	13

JACK PIN LG

63019700 Rev. H

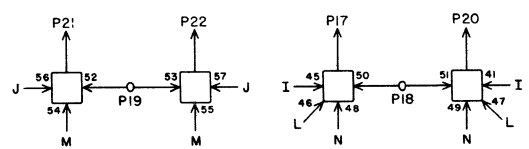
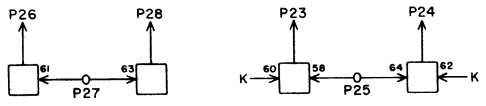
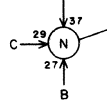
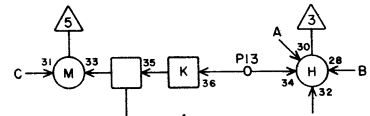
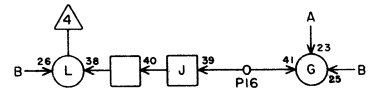
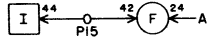
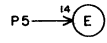
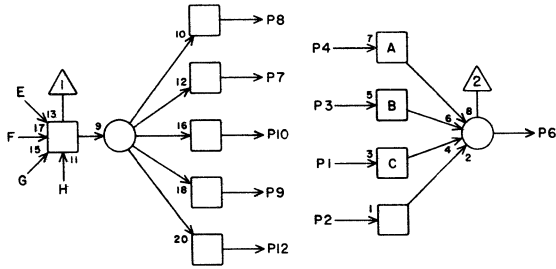


FB		2P25	
1	M36	13	17
2	O27	13	7
3	M38	21	19
4	M38	22	19
5	M38	23	19
6	K27	1	23
7	K26	11	23
8	K27	19	23
9	K29	19	23
10	K28	21	23
11			
12	K30	17	23
13	O27	21	5
14			
15	M38	24	19
16	M36	21	17
17			
18	K28	24	23
19	K28	6	25
20			
21			
22			
23	M37	13	17
24	M37	18	17
25	K28	26	23
26	M27	13	13
27	K28	10	25
28	M27	18	13
	JACK	PIN	LG



FB		2P26	
1	M28	13	15
2	Q08	27	21
3	M29	13	15
4	M30	10	15
5	M30	21	15
6	K32	13	23
7	K31	21	23
8	K32	14	23
9	K34	17	23
10	K33	19	23
11			
12	K35	13	25
13	Q09	27	19
14			
15	M29	21	15
16	M28	21	15
17	L30	13	19
18	K31	24	23
19	K31	6	25
20	L30	18	19
21	L29	13	19
22	L29	18	19
23	L28	13	19
24	L28	18	19
25			
26			
27	K31	10	25
28			
	JACK	PIN	LG

DIVIDE
 $X_j - X_k$



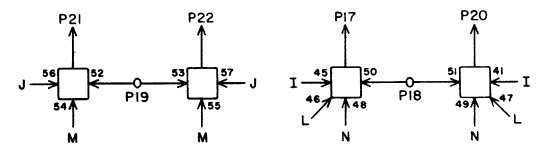
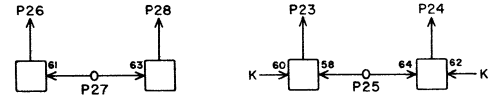
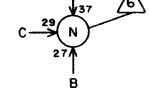
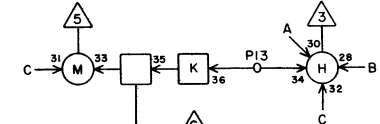
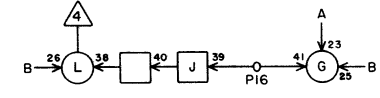
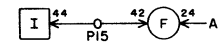
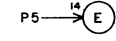
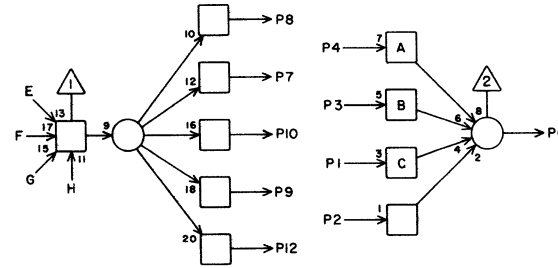
FB 2P27

1	M32	13	15
2	M31	13	15
3	M33	13	17
4	M34	13	17
5	M34	21	15
6	K32	9	23
7	K31	19	23
8	K32	21	23
9	K34	13	23
10	K33	17	23
11			
12	K35	11	25
13	M31	21	15
14			
15	M33	21	17
16	M32	21	17
17	L34	13	21
18	K32	28	23
19	K32	24	23
20	L34	18	21
21	L33	13	21
22	L33	18	18
23	L32	13	21
24	L32	18	21
25	K32	18	23
26	L31	13	21
27	K32	16	25
28	L31	18	21

JACK PIN LG

63019700 Rev. H

DIVIDE
 $X_j - X_k$



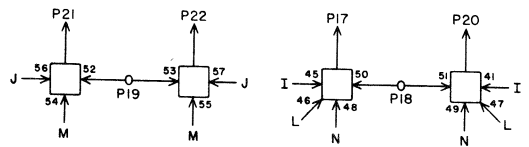
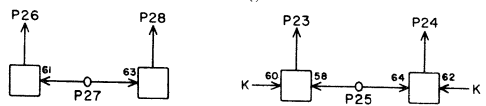
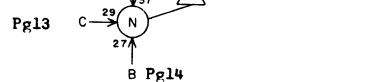
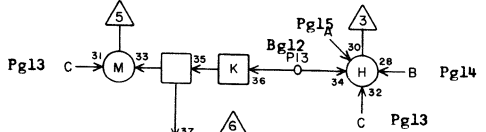
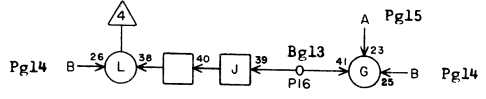
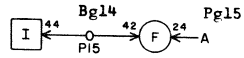
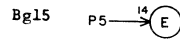
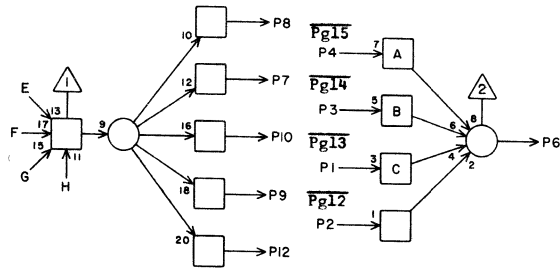
FB 2P28

1	O28	13	5
2	M35	13	17
3	O29	13	5
4	O30	13	7
5	O30	21	7
6	K32	7	23
7	K31	17	23
8	K32	20	23
9	K34	11	25
10	K33	13	23
11			
12	K35	21	23
13	M35	21	17
14			
15	O29	21	5
16	O28	21	5
17	N30	13	13
18	K35	24	23
19	K35	6	25
20	N30	18	13
21	M29	13	13
22	N29	18	13
23	N28	13	13
24	N28	18	13
25	K35	26	23
26	L35	13	21
27	K35	10	25
28	L35	18	21

JACK PIN LG

63019700 Rev. H

DIVIDE
 $X_j - X_k$

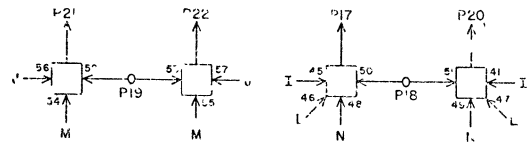
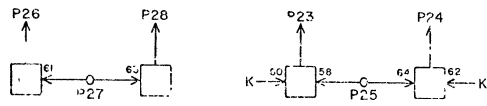
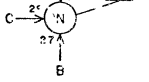
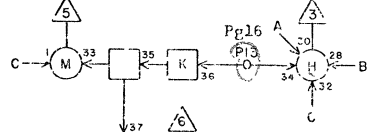
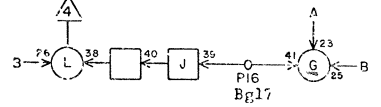
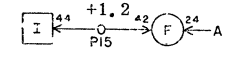
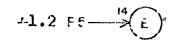
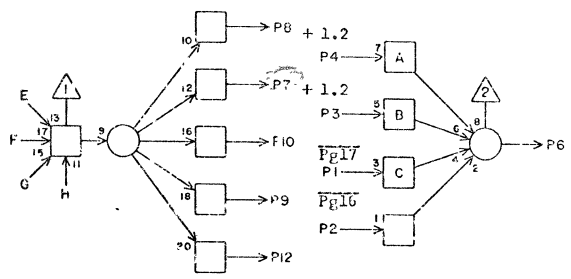


FB 2P29

1	032	13	9
2	031	13	7
3	033	13	9
4	034	13	11
5	034	21	9
6	K32	3	23
7	K31	13	23
8	K32	22	23
9	K34	21	23
10	K33	11	23
11			
12	K35	19	23
13	031	21	5
14			
15	033	21	9
16	032	21	9
17	N34	13	13
18	K34	24	23
19	K34	6	25
20	N34	18	13
21	N33	13	13
22	N33	18	13
23	N32	13	13
24	N32	18	13
25	K34	26	23
26	N31	13	13
27	K34	10	25
28	N31	18	13

JACK PIN LG

DIVIDE
 $X_j - X_k$

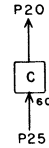
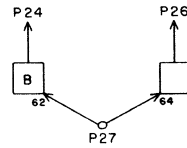
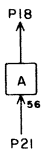
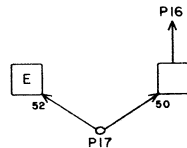
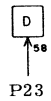
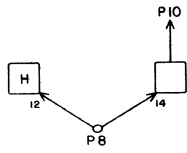
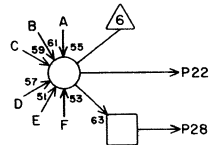
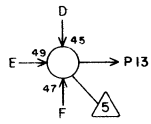
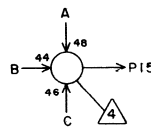
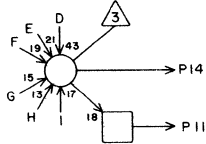
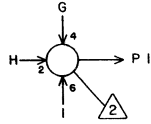
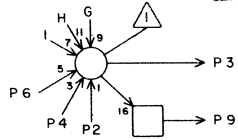


FB 2P30

1	036	13	11
2	035	13	9
3	M38	25	17
4	M38	26	17
5	M38	27	17
6	K32	1	23
7	K31	11	23
8	K32	19	23
9	K34	19	23
10	K33	21	23
11			
12	K35	17	23
13	035	21	9
14			
15	M30	28	17
16	036	21	9
17			
18	K33	24	23
19	K33	6	23
20			
21			
22			
23	037	13	11
24	037	18	11
25	K33	26	23
26	N35	13	13
27	K33	10	25
28	M35	18	15

JACK PIN LG

DIVIDE
GENERATE $3X_k$



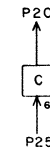
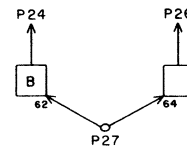
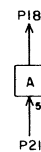
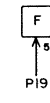
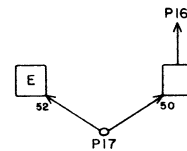
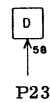
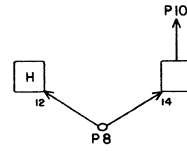
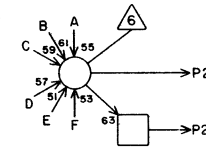
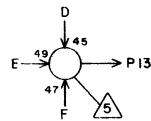
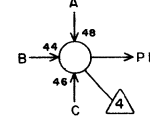
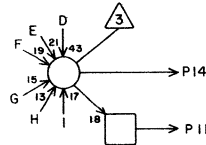
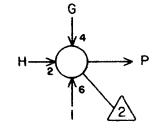
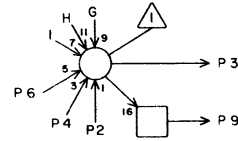
MI **2P31**

1	P37	5	9
2	P32	18	5
3	P38	20	11
4	P32	24	5
5	R29	20	11
6	P32	20	5
7	R29	8	11
8	R29	13	13
9	P36	12	9
10	P37	18	9
11	P36	19	9
12			
13	P37	21	9
14	P38	27	11
15	P36	5	9
16	P36	3	9
17	R28	13	11
18	P32	2	5
19	R28	20	13
20	P32	6	5
21	R27	8	13
22	P37	20	9
23	R28	8	11
24	P32	4	5
25	R27	20	11
26	P36	18	9
27	R27	13	11
28	P38	12	11

JACK PIN LG

63019700 Rev. H

DIVIDE
GEN. $3X_k$



2P32

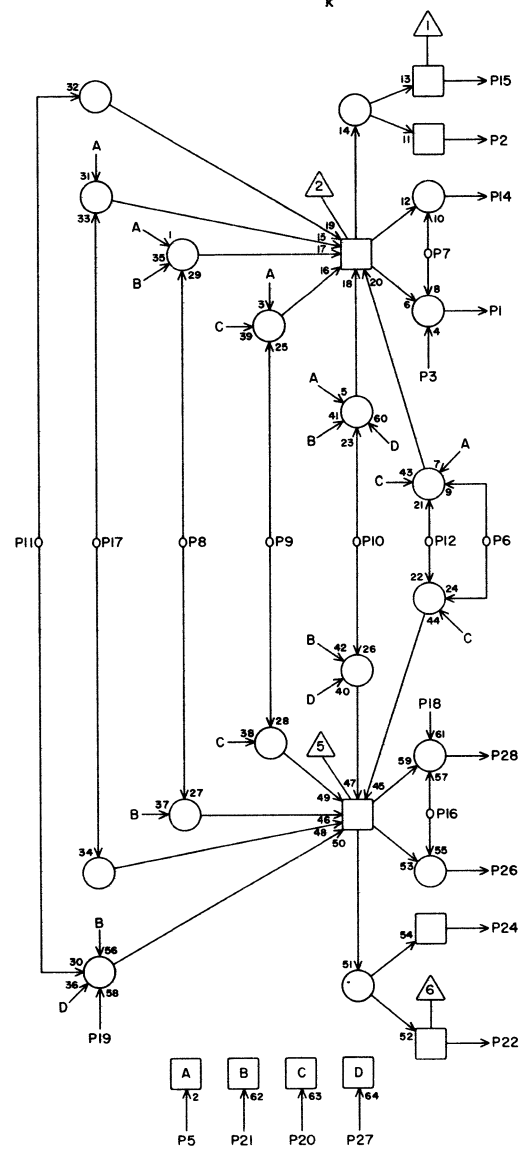
MI **2P32**

1	P36	21	7
2	P31	18	5
3	P37	27	9
4	P31	24	5
5			
6	P31	20	5
7	R32	8	11
8			
9	P38	19	9
10	P38	3	9
11	P37	12	7
12			
13	P38	5	9
14	P36	20	7
15	P38	21	9
16	P38	18	9
17	R31	13	11
18	P31	2	5
19	R31	20	11
20	P31	6	5
21	R30	8	11
22	P36	27	7
23	R31	8	11
24	P31	4	5
25	R30	20	11
26	P37	3	9
27	R30	13	11
28	P37	19	9

JACK PIN LG

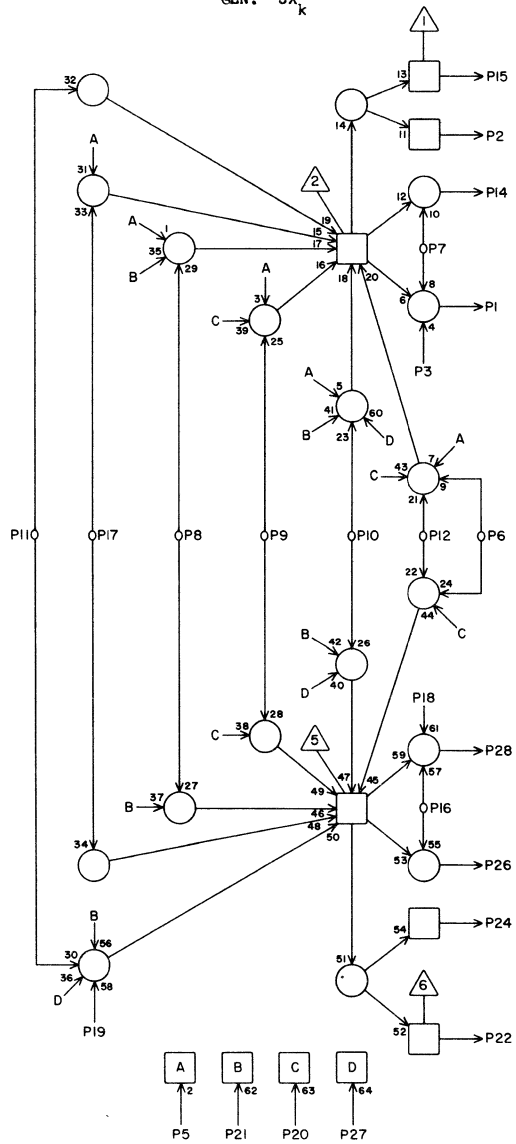
63019700 Rev. H

DIVIDE
GEN. 3X_k



		MJ	
		2P36	
1	R35	17	13
2	Q28	10	13
3	P31	16	9
4			
5	P31	15	9
6	R35	20	13
7	R28	7	15
8	R37	7	13
9	R36	20	13
10	R36	7	13
11	R35	7	13
12	P31	9	9
13			
14	R35	21	13
15	R14	27	25
16	R27	7	13
17	R37	20	11
18	P31	26	9
19	P31	11	9
20	P32	14	7
21	P32	1	7
22	R11	27	27
23			
24	Q25	10	15
25			
26	R35	10	11
27	P32	22	7
28	R35	11	11
	JACK	PIN	LG

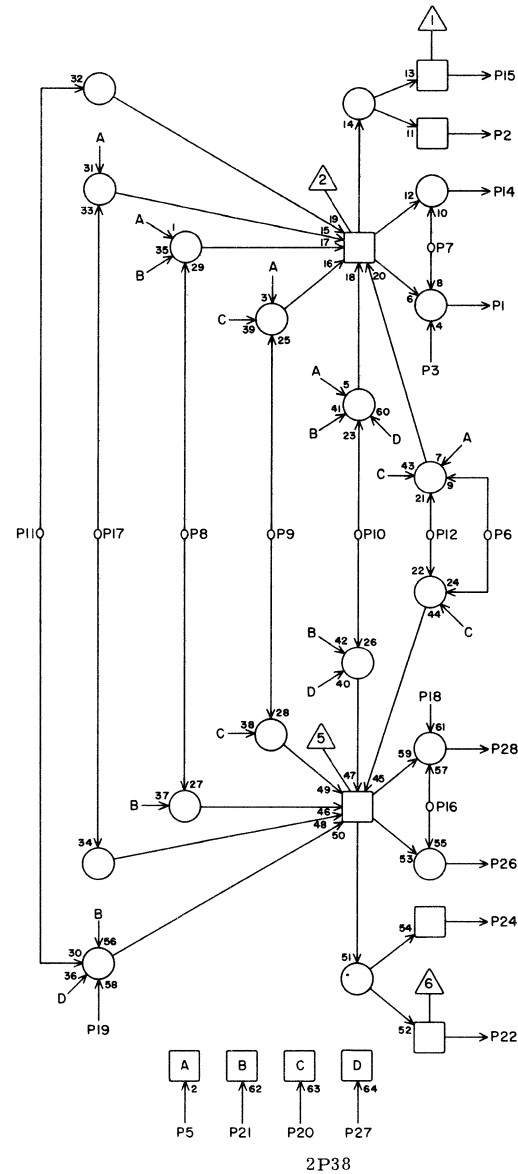
DIVIDE
GEN. 3X_k



MJ		2P37	
1	R36	17	13
2	Q34	10	9
3	P32	26	9
4			
5	P31	1	9
6	R36	19	13
7	R30	7	15
8	R35	9	13
9	R37	19	13
10	R37	9	13
11	R36	9	13
12	P32	11	7
13			
14	R36	21	13
15	R20	27	21
16	R29	7	15
17	R35	19	13
18	P31	10	9
19	P32	28	9
20	P31	22	9
21	P31	13	9
22	R17	27	23
23			
24	Q31	10	11
25			
26	R36	10	11
27	P32	3	9
28	R36	11	11
	JACK	PIN	LG

63019700 Rev. H

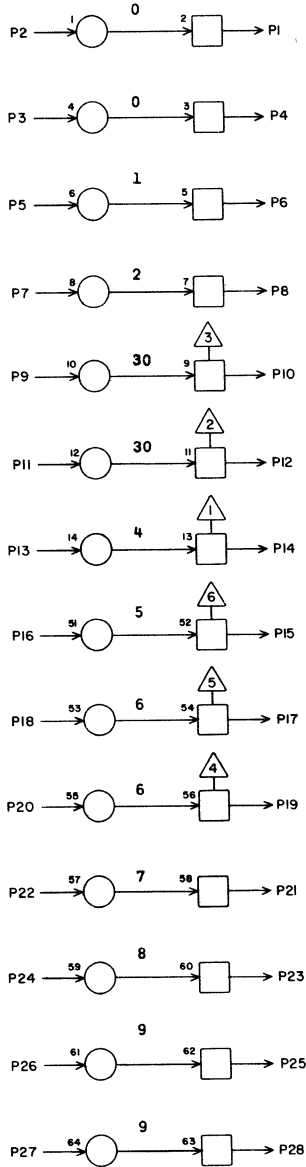
DIVIDE
GEN. 3X_k



MJ		2P38	
1			
2	Q40	10	9
3	P32	10	9
4			
5	P32	13	9
6	R37	15	13
7	R32	7	13
8	R36	14	13
9	R35	15	13
10	R35	14	13
11	R37	14	13
12	P31	28	11
13			
14	R37	21	13
15	R26	27	17
16	R31	7	13
17	R36	15	13
18	P32	16	9
19	P32	9	9
20	P31	3	11
21	P32	15	9
22	R23	27	19
23			
24	Q37	10	7
25			
26	R37	10	11
27	P31	14	11
28	R37	11	11
	JACK	PIN	LG

63019700 Rev. H

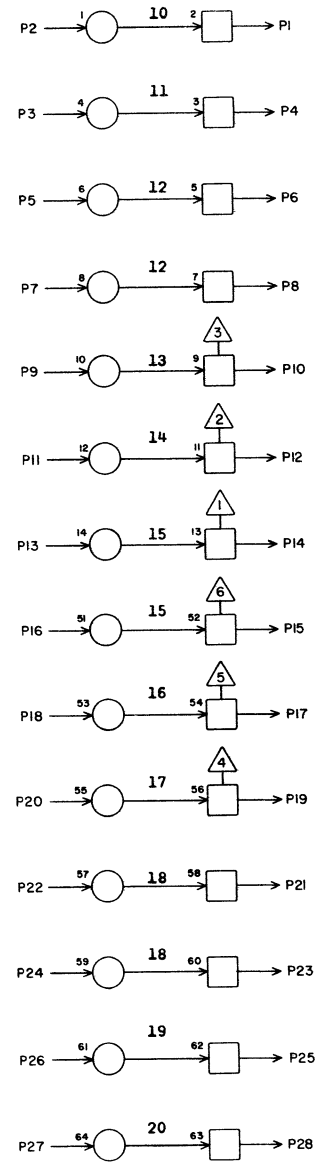
DIVIDE
TO $X_j - X_k$



GI		2P39	
JACK	PIN	LG	
1	L28	17	23
2	M28	9	19
3	M28	7	19
4	L28	10	23
5	M28	11	19
6	L28	8	19
7	M28	14	19
8	L28	22	23
9	M29	9	21
10	L29	17	23
11	M29	7	21
12	L29	10	23
13	M29	11	21
14	L29	8	23
15	L29	22	23
16	M29	14	21
17	L30	17	23
18	M30	9	21
19	L30	10	23
20	M30	7	21
21	L30	8	23
22	M30	11	21
23	L30	22	23
24	M30	14	21
25	L31	17	23
26	M31	9	21
27	M31	7	21
28	L31	10	23

63019700 Rev. H

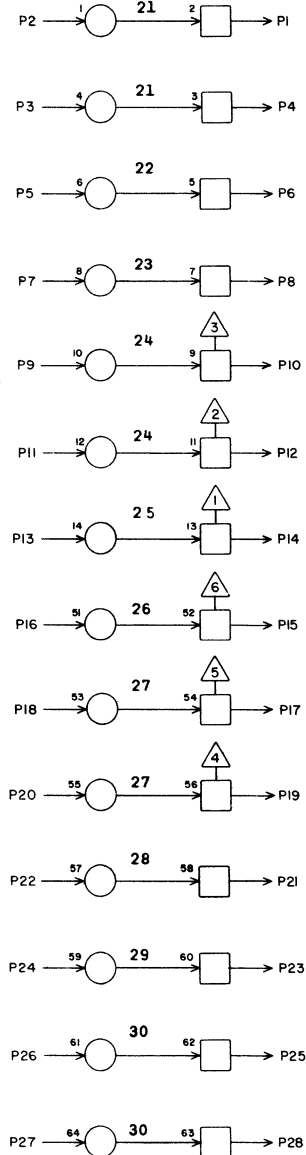
DIVIDE
TO $X_j - X_k$



GI		2P40	
JACK	PIN	LG	
1	L31	8	23
2	M31	11	19
3	M31	14	19
4	L31	22	21
5	M32	9	19
6	L32	17	23
7	M32	7	19
8	L32	10	23
9	M32	11	19
10	L32	8	23
11	M32	14	19
12	L32	22	23
13	M33	9	19
14	L33	17	23
15	L33	10	23
16	M33	7	19
17	L33	8	23
18	M33	11	19
19	L33	22	23
20	M33	14	19
21	L34	17	19
22	M34	9	19
23	L34	10	23
24	M34	7	19
25	L34	8	19
26	M34	11	19
27	M34	14	19
28	L34	22	19

63019700 Rev. H

DIVIDE
TO $x_j - x_k$



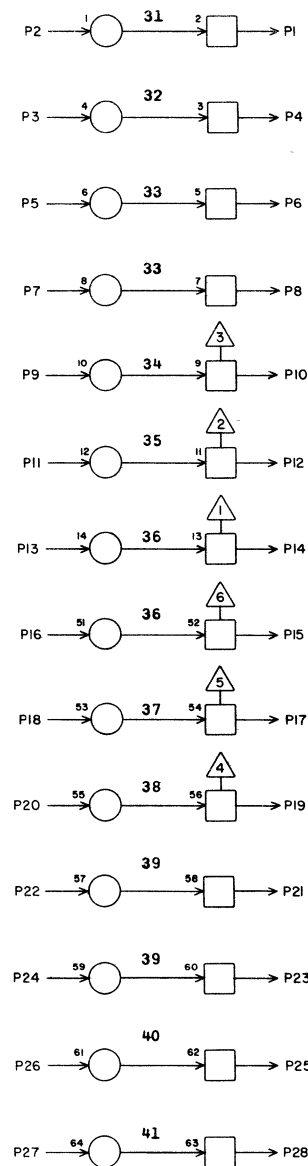
GI **2P41**

1	L35	17	21
2	M35	9	17
3	M35	7	17
4	L35	10	21
5	M35	11	17
6	L35	8	21
7	M35	14	17
8	L35	22	21
9	O28	9	17
10	N28	17	19
11	O28	7	17
12	N28	10	19
13	O28	11	17
14	N28	8	19
15	N28	22	19
16	O28	14	17
17	N29	17	19
18	O29	9	17
19	N29	10	19
20	O29	7	17
21	N29	8	19
22	O29	11	17
23	N29	22	19
24	O29	14	17
25	N30	17	17
26	O30	9	17
27	O30	7	17
28	N30	10	17

JACK PIN LG

63019700 Rev. H

DIVIDE
TO $x_j - x_k$



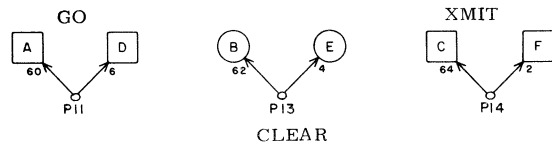
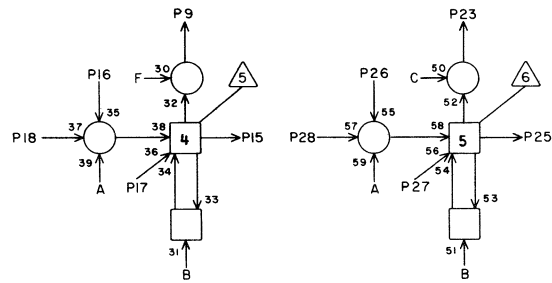
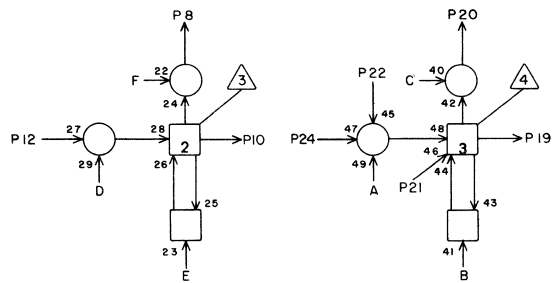
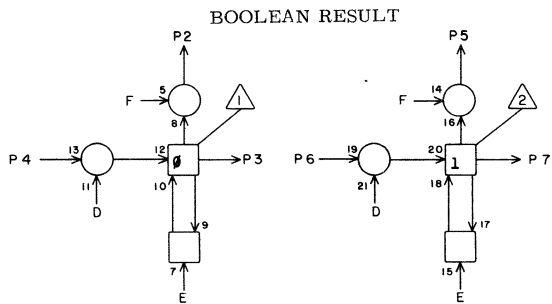
GI **2P42**

1	N30	8	17
2	O30	11	17
3	O30	14	17
4	N30	22	17
5	O31	9	17
6	N31	17	17
7	O31	7	17
8	N31	10	17
9	O31	11	17
10	N31	8	17
11	O31	14	17
12	N31	22	17
13	O32	9	15
14	N32	17	17
15	N32	10	17
16	O32	7	15
17	N32	8	17
18	O32	11	15
19	N32	22	17
20	O32	14	15
21	N33	17	17
22	O33	9	15
23	N33	10	17
24	O33	7	15
25	N33	8	17
26	O33	11	15
27	O33	14	15
28	N33	22	17

JACK PIN LG

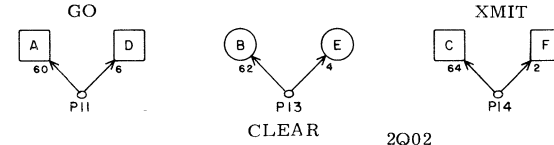
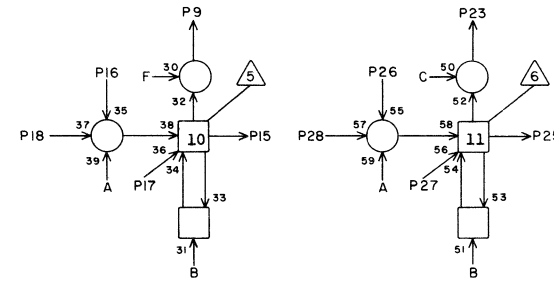
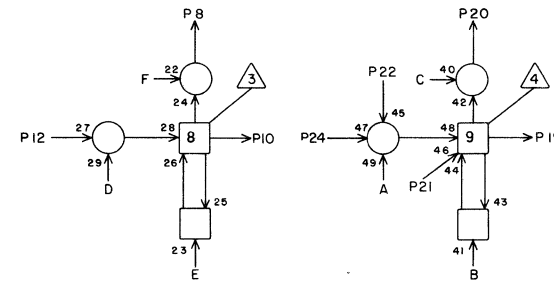
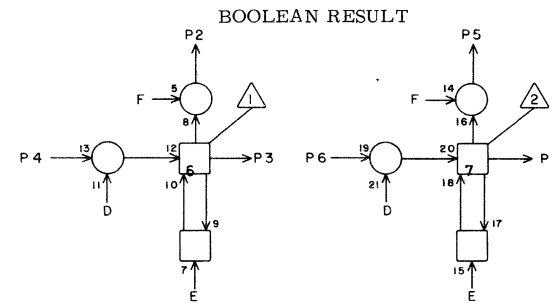
63019700 Rev. H

2P42



MD			
2Q01			
JACK	PIN	LG	
1			
2	K01	2	25
3			
4	R01	8	9
5	K01	10	25
6	R01	13	9
7			
8	K01	19	25
9	K02	2	25
10			
11	O10	11	15
12	R01	23	9
13	O10	20	15
14	O11	11	15
15			
16	R02	13	7
17			
18		Grd	2
19			
20	K01	27	25
21			
22	R02	8	5
23	K02	10	27
24		Grd	2
25			
26	R02	23	7
27			
28		Grd	2

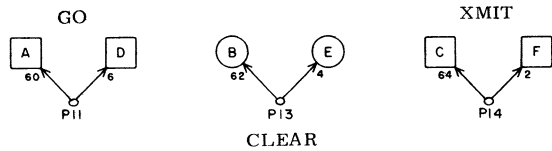
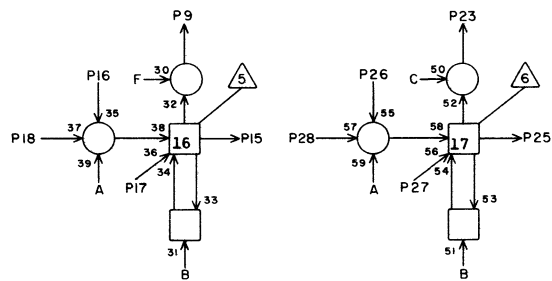
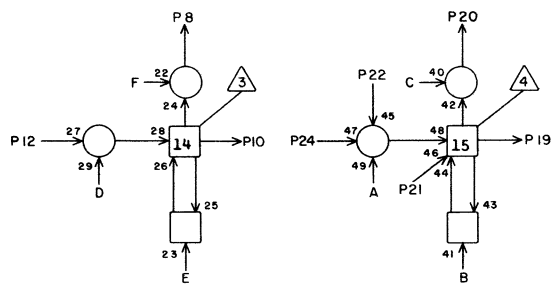
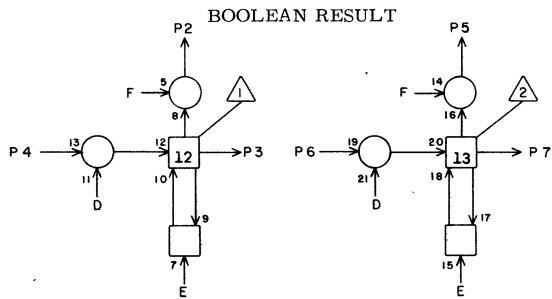
63019700 Rev. H



MD			
2Q02			
JACK	PIN	LG	
1			
2	K02	19	25
3			
4	R03	8	9
5	K02	27	25
6	R03	13	9
7			
8	K03	2	25
9	K03	19	25
10			
11	O10	13	15
12	R03	23	9
13	O10	18	11
14	O11	13	15
15			
16	R04	13	9
17			
18		Grd	2
19			
20	K03	10	25
21			
22	R04	8	5
23	K03	27	25
24		Grd	2
25			
26	R04	23	9
27			
28		Grd	2

63019700 Rev. H

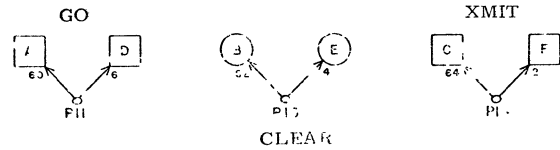
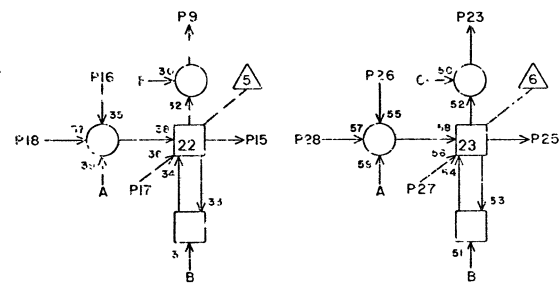
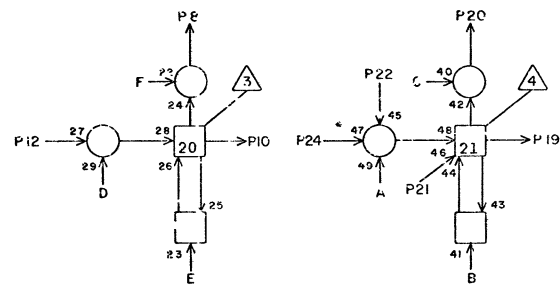
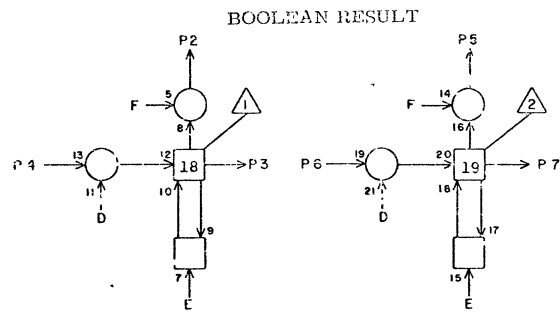
2Q02



MD 2003

1			
2	K04	2	25
3			
4	R05	8	9
5	K04	10	25
6	R05	13	9
7			
8	K04	19	25
9	K05	2	25
10			
11	O10	1	15
12	R05	23	11
13	O10	28	11
14	O11	1	15
15			
16	P01	13	9
17			
18		Grd	2
19			
20	K04	27	25
21			
22	P01	8	9
23	K05	10	25
24		Grd	2
25			
26	P01	23	9
27			
28		Grd	2
	JACK	PIN	LG

63019700 Rev. H

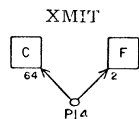
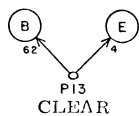
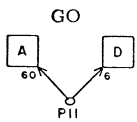
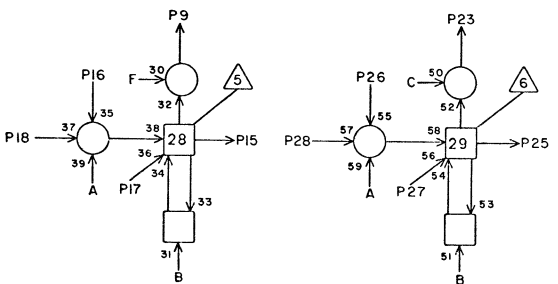
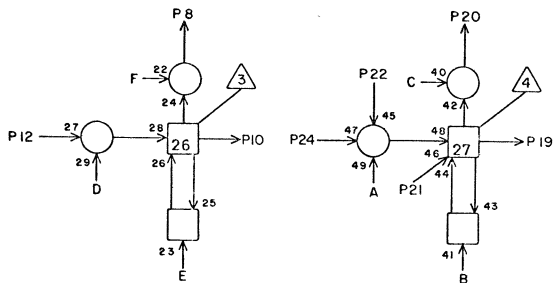
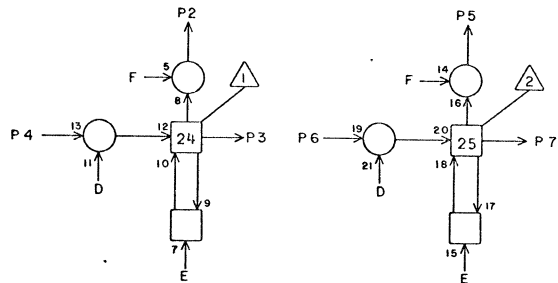


MD 2004

1			
2	K05	19	25
3			
4	P02	8	7
5	K05	27	25
6	P02	13	7
7			
8	K06	2	25
9	K06	19	25
10			
11	O10	8	13
12	P02	23	5
13	O10	21	15
14	O11	8	15
15			
16	P03	13	9
17			
18		Grd	2
19			
20	K06	10	25
21			
22	P03	8	7
23	K06	27	25
24		Grd	2
25			
26	P03	23	9
27			
28		Grd	2
	JACK	PIN	LG

63019700 Rev. I1

BOOLEAN RESULT



MD

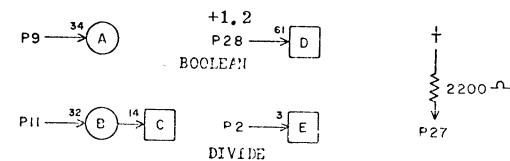
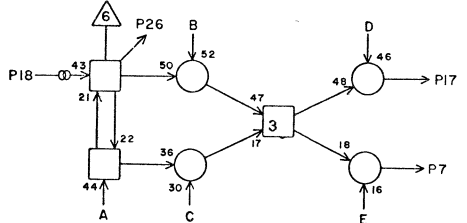
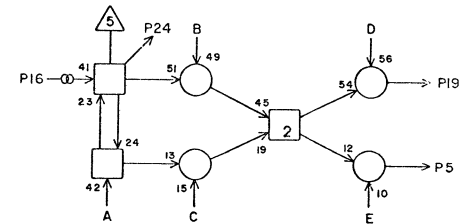
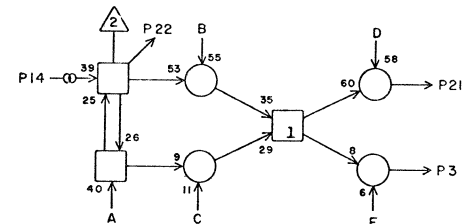
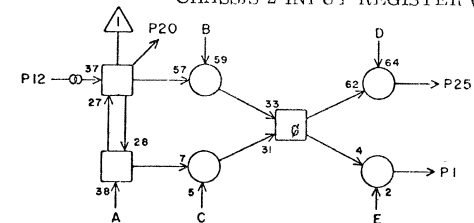
2Q05

1			
2	K07	2	25
3			
4	P04	8	7
5	K07	10	25
6	P04	13	11
7			
8	K07	19	25
9	K08	2	25
10			
11	O10	10	11
12	P04	23	5
13	O10	19	11
14	O11	10	15
15			
16	P05	13	9
17			
18		Grd	2
19			
20	K07	27	25
21			
22	P05	8	9
23	K08	10	25
24		Grd	2
25			
26	P05	23	9
27			
28		Grd	2

JACK PIN LG

63019700 Rev. H

CHASSIS 2 INPUT REGISTER (X_j)



2Q06

GA

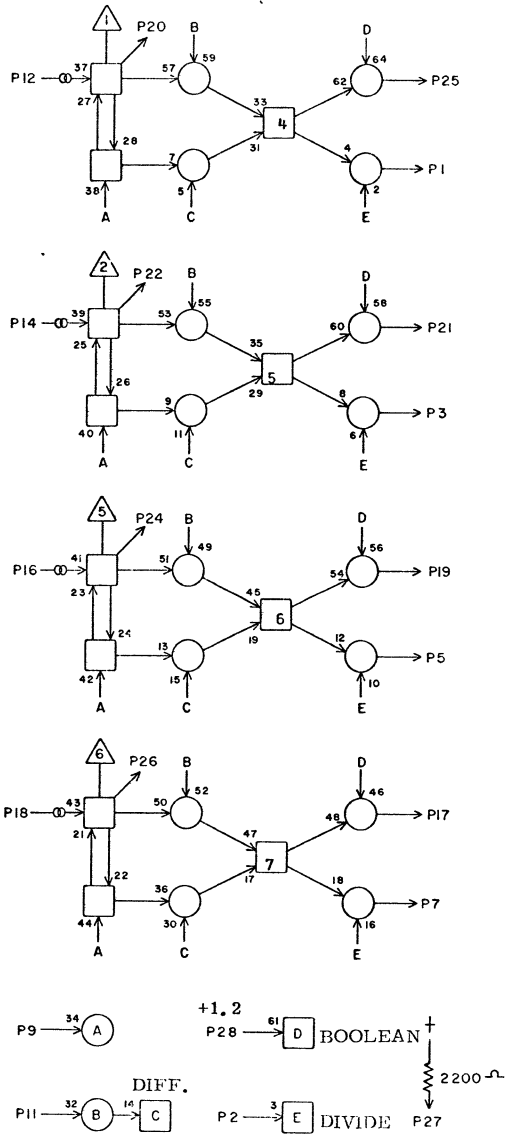
2Q06

1	L36	9	39
2	O08	11	11
3	L36	2	39
4			
5	L38	12	39
6			
7	L38	27	39
8			
9	O05	11	13
10			
11	O06	11	13
12	W29	903	
13			
14	W29	904	
15			
16	W29	905	
17	R02	5	9
18	W29	906	
19	R01	25	11
20			
21	R01	10	11
22			
23			
24			
25	R01	5	9
26			
27	P21	2	19
28	O07	11	11

JACK PIN LG

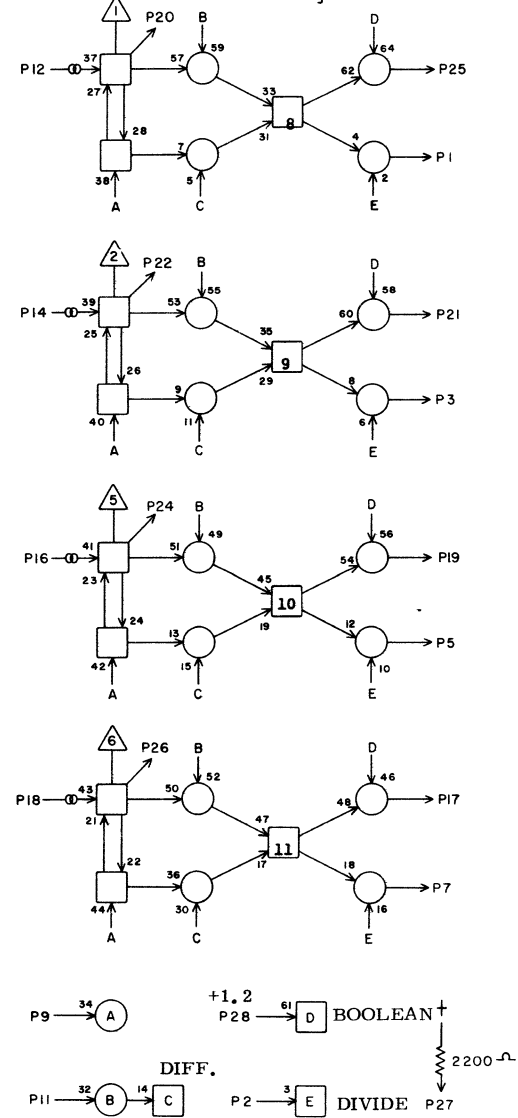
63019700 Rev. H

CHASSIS 2 INPUT REGISTER (X_j)

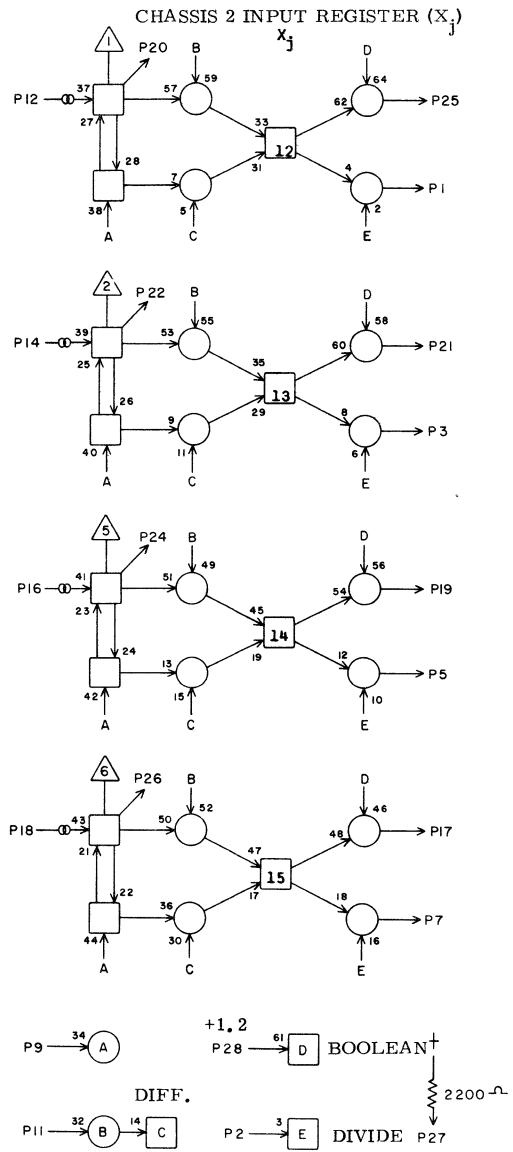


GA		2Q07	
1	L38	20	39
2	008	13	11
3	L39	9	30
4			
5	L39	2	39
6			
7	L39	12	39
8			
9	005	13	13
10			
11	006	13	13
12	W29	907	
13			
14	W30	90	
15			
16	W30	91	
17	R03	10	9
18	W30	92	
19	R03	5	9
20			
21	R02	25	9
22			
23			
24			
25	R02	10	9
26			
27	P21	13	17
28	007	13	13
	JACK	PIN	LG

CHASSIS 2 INPUT REGISTER (X_j)



GA		2Q08	
1	L39	27	39
2	008	15	11
3	L39	20	39
4			
5	L40	9	39
6			
7	L40	2	39
8			
9	005	15	13
10			
11	006	15	13
12	W30	93	
13			
14	W30	94	
15			
16	W30	95	
17	R04	25	11
18	W30	96	
19	R04	10	9
20			
21	R04	5	9
22			
23			
24			
25	R03	25	11
26			
27	P26	2	21
28	007	15	13
	JACK	PIN	LG

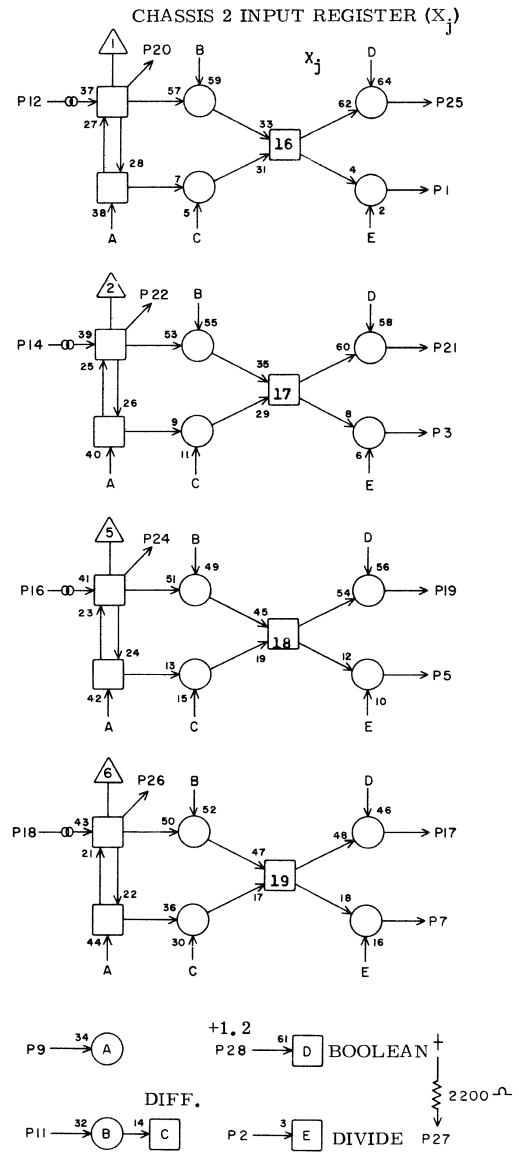


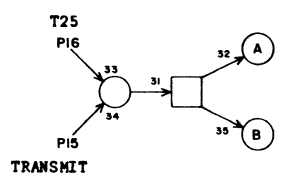
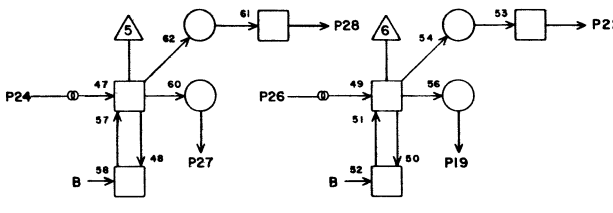
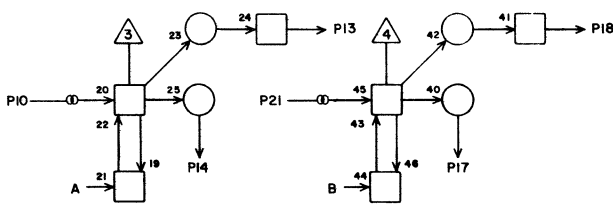
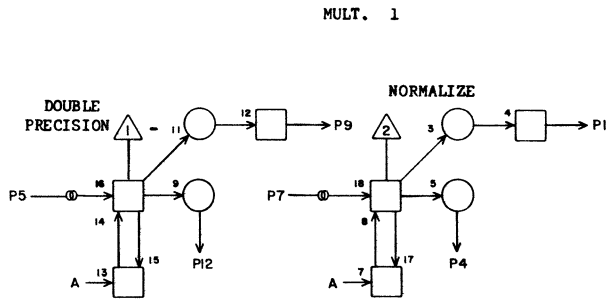
CHASSIS 2 INPUT REGISTER (X_j)

GA **2010**

1	L41	2	39
2	008	18	11
3	L41	12	39
4			
5	L41	27	39
6			
7	L41	20	39
8			
9	005	18	13
10			
11	006	18	13
12	W30	901	
13			
14	W30	902	
15			
16	W30	903	
17	P02	10	13
18	W30	904	
19	P02	5	13
20			
21	P01	25	13
22			
23			
24			
25	P01	10	13
26			
27	P16	2	13
28	007	18	13

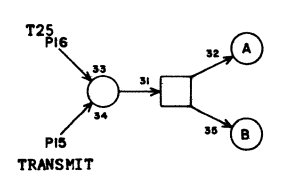
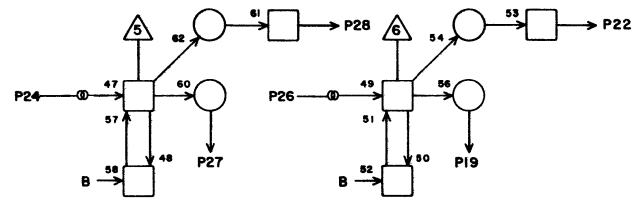
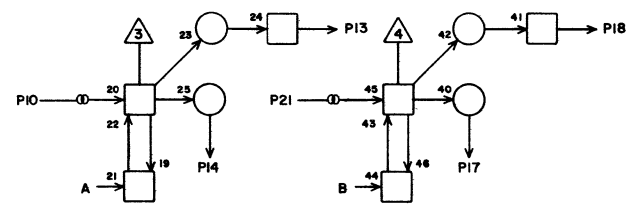
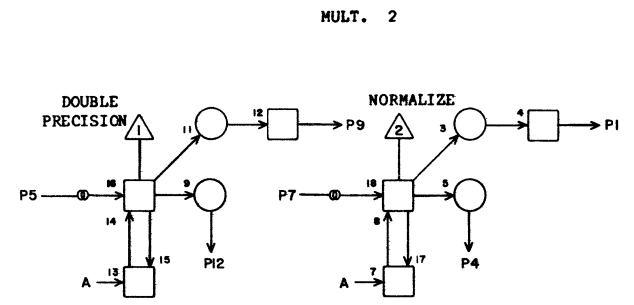
JACK PIN LG





PI			
2Q11			
JACK	PIN	LG	
1	G21	1	41
2			
3			
4	N42	16	33
5	W26	907	
6			
7	W25	908	
8			
9	D19	25	49
10			
11			
12	D19	28	49
13			
14			
15	E22	18	49
16			
17			
18			
19			
20			
21			
22			
23			
24			
25			
26			
27			
28			

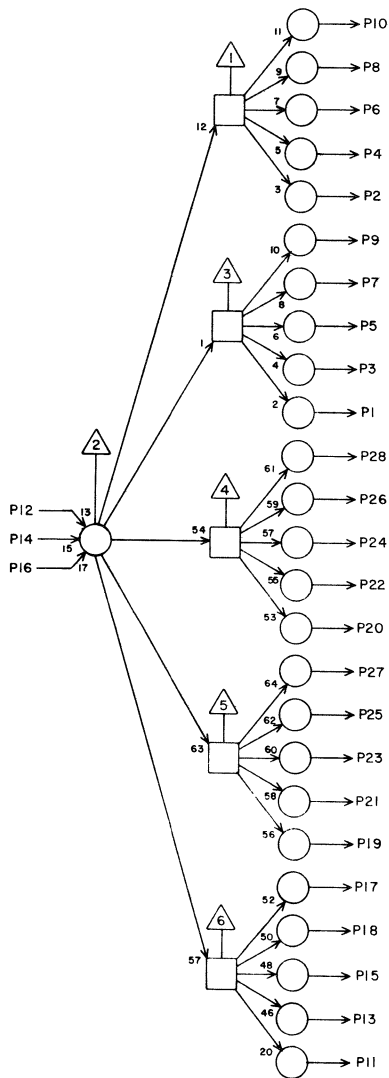
63019700 Rev. AD



PI			
2Q12			
JACK	PIN	LG	
1	G21	25	41
2			
3			
4	Q11	16	9
5	W26	908	
6			
7	W26	902	
8			
9	G21	3	47
10			
11			
12	G21	26	41
13			
14			
15	E22	17	49
16			
17			
18			
19			
20			
21			
22			
23			
24			
25			
26			
27			
28			

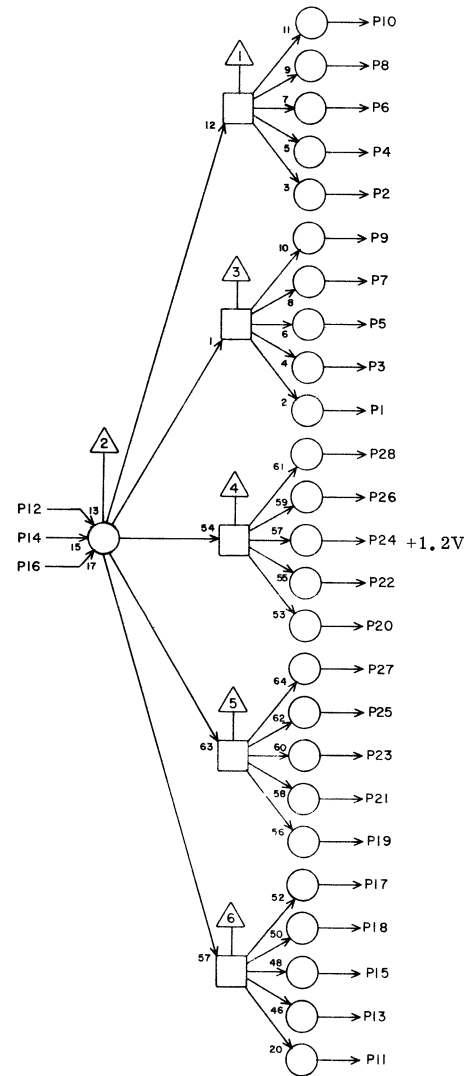
63019700 Rev. AD

CLEAR X_k DIVIDE



CA		2Q13	
JACK	PIN	LG	
1	R11	13	9
2	R12	13	9
3	R13	13	9
4	R14	13	9
5	R15	13	9
6	R16	13	9
7	R17	13	9
8	R18	13	11
9	R19	13	11
10	R20	13	11
11	R21	13	13
12	G19	11	41
13	R22	13	13
14		Grd	2
15	R23	13	13
16		Grd	2
17	R24	13	15
18	R25	13	15
19	R26	13	17
20			
21			
22			
23			
24			
25			
26			
27			
28			

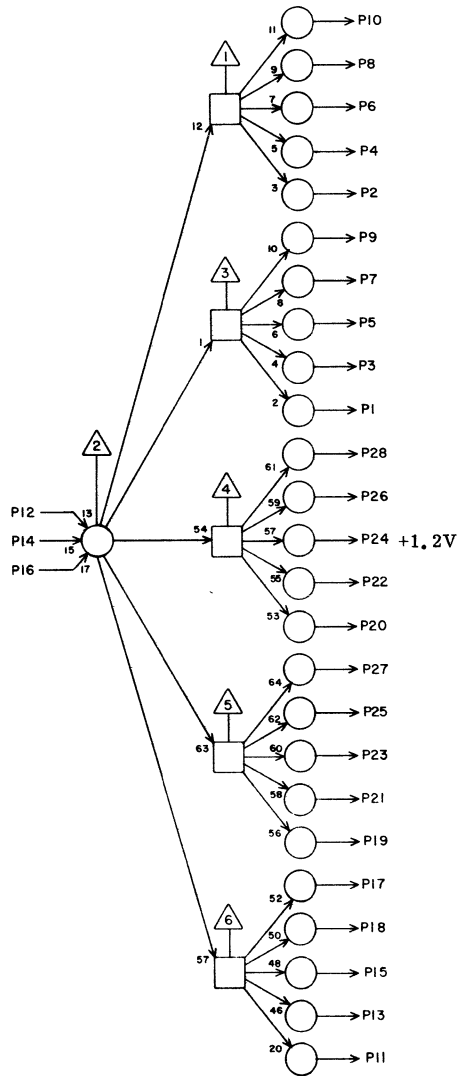
63019700 Rev. H



CA		2Q14	
JACK	PIN	LG	
1	Q25	7	15
2	R37	23	25
3	R37	26	25
4	Q25	20	15
5	Q26	20	15
6	Q27	20	17
7	Q28	20	17
8	Q29	20	17
9	Q30	20	17
10	Q31	20	19
11	Q32	20	19
12		Grd	2
13	Q33	20	19
14		Grd	2
15	Q34	20	21
16		Grd	2
17	Q35	20	23
18	Q36	20	23
19	Q37	20	23
20	Q38	20	25
21	Q39	20	25
22	Q40	20	27
23	Q41	20	27
24	P20	3	13
25	P20	4	13
26	P20	5	13
27			
28			

2Q14

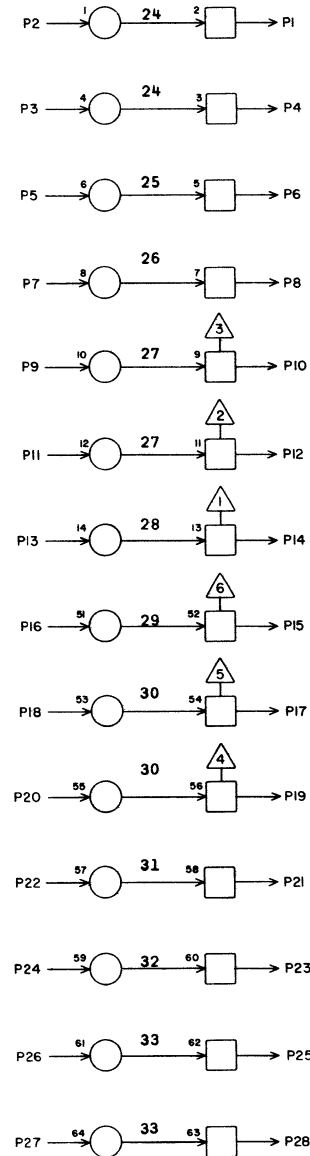
63019700 Rev. U



CA		2015	
JACK	PIN	LG	
1	Q19	6	7
2	Q19	4	7
3	Q19	24	7
4	Q19	26	9
5	Q20	6	9
6	Q20	4	9
7	Q20	24	9
8	Q20	26	9
9	Q21	6	9
10	Q21	4	9
11	Q21	24	9
12		Grd	2
13	Q21	26	9
14		Grd	2
15	Q22	6	11
16		Grd	2
17	Q22	4	11
18	Q22	24	11
19	Q22	26	11
20	Q23	6	11
21	Q23	4	11
22	Q23	24	11
23	Q23	26	11
24	Q24	6	13
25	Q24	4	13
26	Q24	24	13
27	Q24	26	13
28			

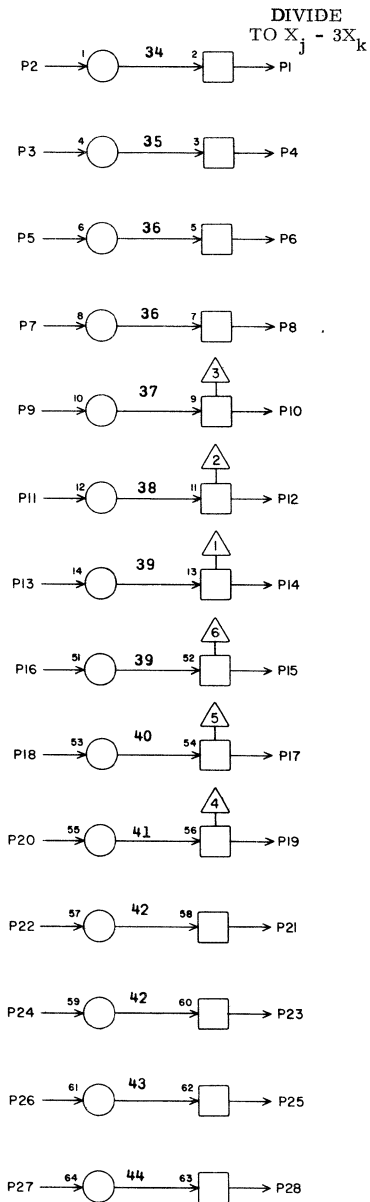
63019700 Rev. H

DIVIDE
TO $X_j - 3X_k$



GI		2016	
JACK	PIN	LG	
1	N12	17	17
2	O12	9	15
3	O12	7	15
4	N12	10	17
5	O12	11	15
6	N12	8	17
7	O12	14	9
8	N12	22	17
9	O13	9	15
10	N13	17	17
11	O13	7	15
12	N13	10	17
13	O13	11	15
14	N13	8	17
15	N13	22	17
16	O13	14	15
17	N14	17	17
18	O14	9	15
19	N14	10	17
20	O14	7	15
21	N14	8	17
22	O14	11	15
23	N14	22	17
24	O14	14	15
25	N15	17	17
26	O15	9	15
27	O15	7	15
28	N15	10	17

63019700 Rev. H

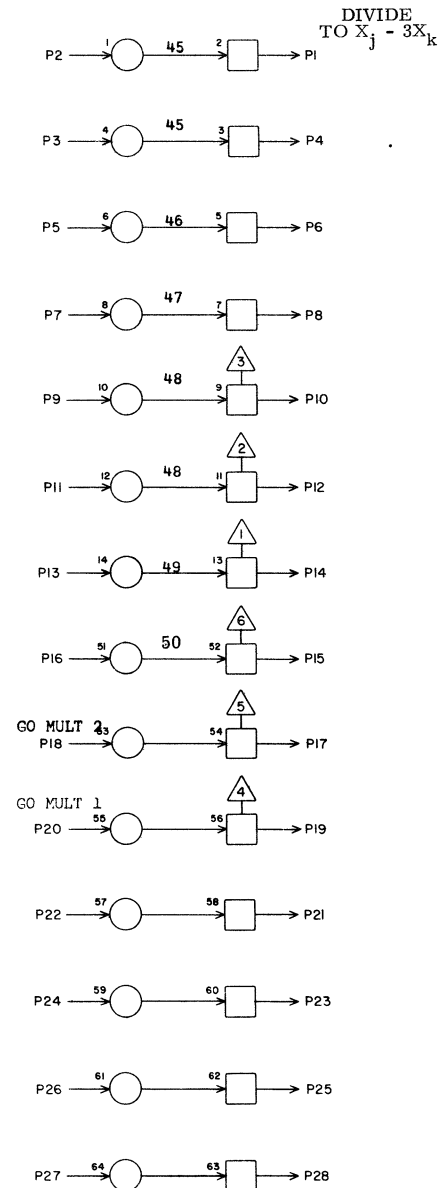


GI 2Q17

1	N15	8	17
2	O15	11	13
3	O15	14	13
4	N15	22	17
5	O16	9	15
6	N16	17	17
7	O16	7	15
8	N16	10	17
9	O16	11	15
10	N16	8	17
11	O16	14	15
12	N16	22	17
13	O17	9	11
14	N17	17	17
15	N17	10	17
16	O17	7	11
17	N17	8	17
18	O17	11	11
19	N17	22	17
20	O17	14	11
21	N18	17	17
22	O18	9	17
23	N18	10	17
24	O18	7	17
25	N18	8	17
26	O18	11	17
27	O18	14	17
28	N18	22	17

JACK PIN LG

63019700 Rev. H



GI 2Q18

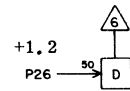
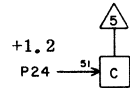
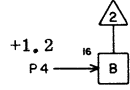
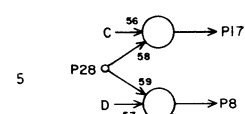
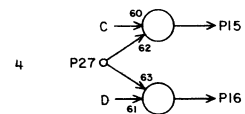
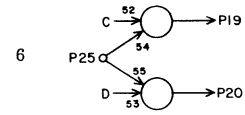
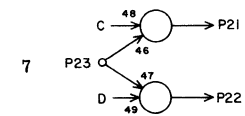
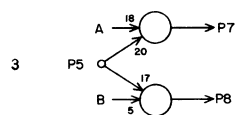
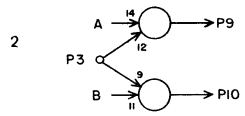
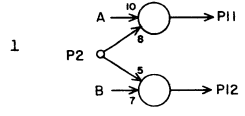
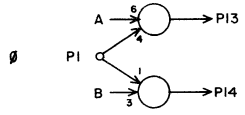
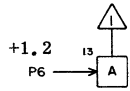
1	N19	17	17
2	O19	9	13
3	O19	7	13
4	N19	10	17
5	O19	11	13
6	N19	8	17
7	O19	14	13
8	N19	22	17
9	M36	9	27
10	M37	17	29
11	M36	7	27
12	M37	10	29
13	M36	11	27
14	M37	8	29
15	M37	22	29
16	M36	14	27
17	D28	5	53
18	A36	10	180
19	D28	12	53
20	A36	17	180
21	A30	11	72
22	A07	14	72
23			
24			
25			
26			
27			
28			

JACK PIN LG

2Q18

63019700 Rev. AD

DIVIDE
GEN. 2X_k

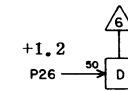
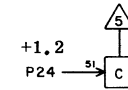
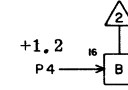
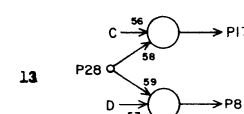
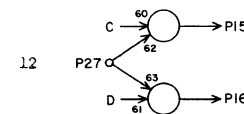
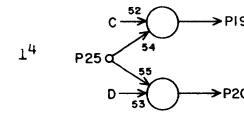
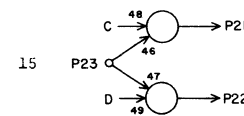
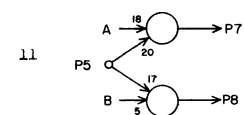
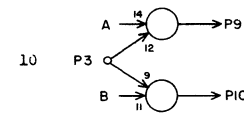
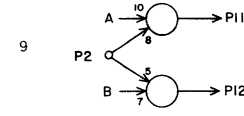
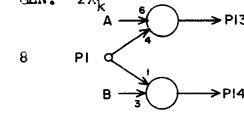
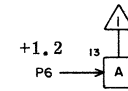


IH 2019

1	R11	12	13
2	R11	9	13
3	R11	16	13
4	Q15	2	7
5	R12	12	13
6	Q15	1	7
7	M29	6	21
8	M21	10	19
9	M28	25	21
10	M21	6	19
11	M28	10	21
12	M20	25	19
13	M28	6	21
14	M20	10	19
15	M29	10	21
16	M21	25	19
17	M29	25	21
18	M22	6	19
19	M30	6	23
20	M22	10	19
21	M30	10	23
22	M22	25	19
23	R13	9	11
24	Q15	3	7
25	R13	12	11
26	Q15	4	9
27	R12	9	11
28	R12	16	11
	JACK	PIN	LG

63019700 Rev. H

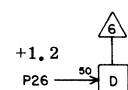
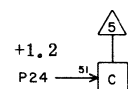
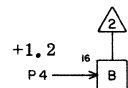
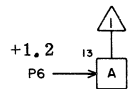
DIVIDE
GEN. 2X_k



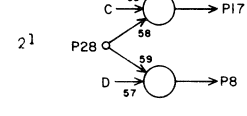
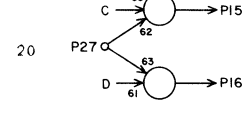
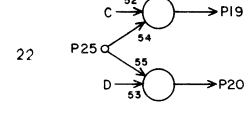
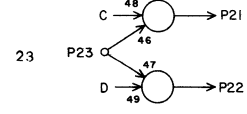
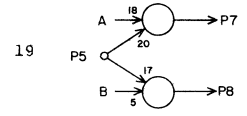
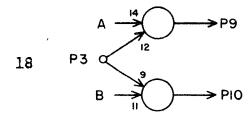
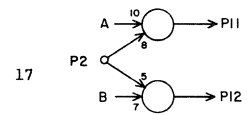
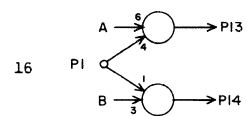
IH 2020

1	R13	16	13
2	R14	12	11
3	R14	9	11
4	Q15	6	9
5	R14	16	11
6	Q15	5	9
7	M31	25	23
8	M24	6	19
9	M31	10	23
10	M23	25	19
11	M31	6	23
12	M23	10	19
13	M30	25	23
14	M23	6	19
15	M32	6	23
16	M24	10	19
17	M32	10	23
18	M24	25	19
19	M32	25	23
20	M25	6	19
21	M33	6	23
22	M25	10	19
23	R16	12	9
24	Q15	7	9
25	R15	16	11
26	Q15	8	9
27	R15	12	11
28	R15	9	9
	JACK	PIN	LG

63019700 Rev. H



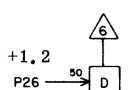
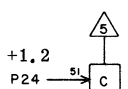
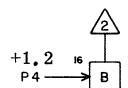
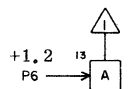
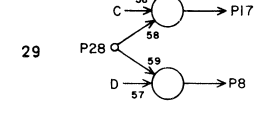
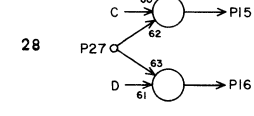
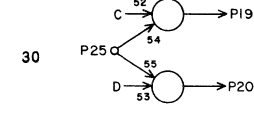
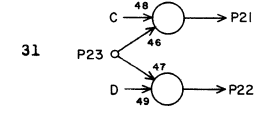
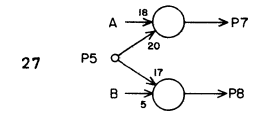
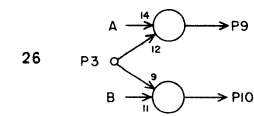
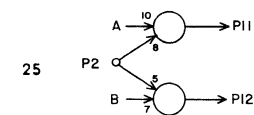
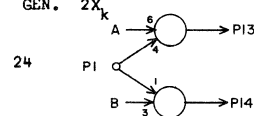
DIVIDE
GN GEN. 2X_k



		2Q21	
	IH		
1	R16	9	11
2	R16	16	11
3	R17	12	9
4	Q15	10	9
5	R17	9	9
6	Q15	9	9
7	M34	10	23
8	M26	25	19
9	M34	6	23
10	M26	10	19
11	M33	25	23
12	M26	6	19
13	M33	10	23
14	M25	25	19
15	M34	25	23
16	M27	6	19
17	M35	6	23
18	M27	10	19
19	M35	10	23
20	M27	25	19
21	M35	25	23
22	O20	6	13
23	R18	16	9
24	Q15	11	9
25	R18	9	7
26	Q15	13	9
27	R17	16	9
28	R18	12	7
	JACK	PIN	LG

63019700 Rev. H

DIVIDE
GEN. 2X_k

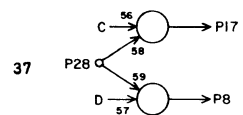
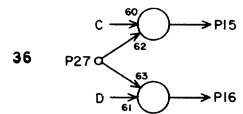
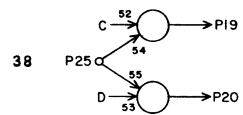
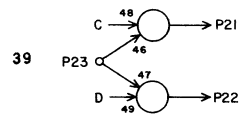
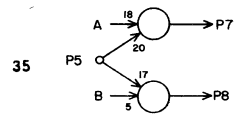
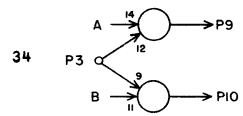
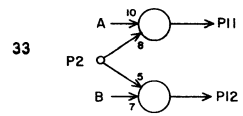
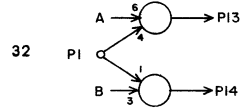
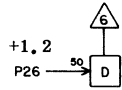
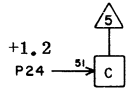
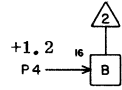
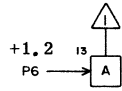


		2Q22		
	IH			
1	R19	12	9	
2	R19	9	9	
3	R19	16	9	
4	Q15	17	11	
5	R20	12	9	
6	Q15	15	11	
7	O29	6	13	
8	O21	10	13	
9	O28	25	13	
10	O21	6	13	
11	O28	10	13	
12	O20	25	13	
13	O28	6	13	
14	O20	10	13	
15	O29	10	15	
16	O21	25	13	
17	O29	25	13	
18	O22	6	13	
19	O30	6	15	
20	O22	10	13	
21	O30	10	15	
22	O22	25	13	
23	R21	9	5	
24	Q15	18	11	
25	R21	12	5	
26	Q15	19	11	
27	R20	9	5	
28	R20	16	7	
	JACK	PIN	LG	

63019700 Rev. H

2Q22

DIVIDE
GEN. 2X_k



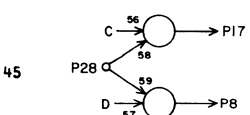
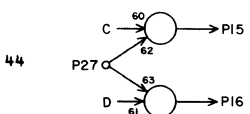
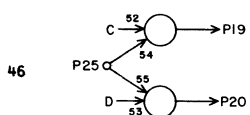
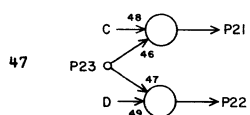
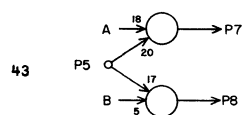
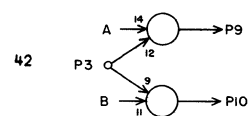
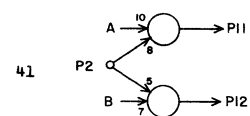
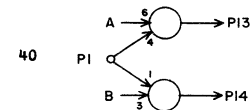
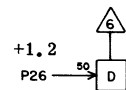
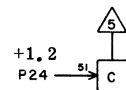
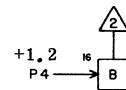
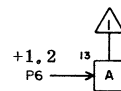
IH 2Q23

1	R21	16	7
2	R22	12	9
3	R22	9	9
4	Q15	21	11
5	R22	16	9
6	Q15	20	11
7	Q31	25	13
8	Q24	6	13
9	Q31	10	13
10	Q23	25	13
11	Q31	6	13
12	Q23	10	13
13	Q30	25	13
14	Q23	6	13
15	Q32	6	13
16	Q24	10	13
17	Q32	10	15
18	Q24	25	13
19	Q32	25	15
20	Q25	6	13
21	Q33	6	17
22	Q25	10	13
23	R24	12	5
24	Q15	22	11
25	R23	16	5
26	Q15	23	11
27	R23	12	5
28	R23	9	5

JACK PIN LG

63019700 Rev. H

DIVIDE
GEN. 2X_k

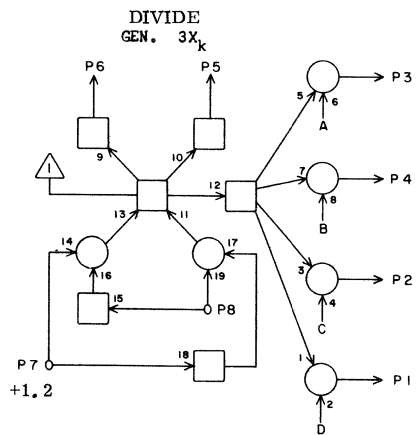


IH 2Q24

1	R24	9	7
2	R24	16	7
3	R25	12	7
4	Q15	25	13
5	R25	9	7
6	Q15	24	13
7	Q34	10	15
8	Q26	25	13
9	Q34	6	17
10	Q26	10	13
11	Q33	25	15
12	Q26	6	13
13	Q33	10	13
14	Q25	25	13
15	Q34	25	15
16	Q27	6	13
17	Q35	6	17
18	Q27	10	13
19	Q35	10	17
20	Q27	25	13
21	Q35	25	17
22	N36	6	21
23	R26	16	7
24	Q15	26	13
25	R26	9	5
26	Q15	27	13
27	R25	16	7
28	R26	12	7

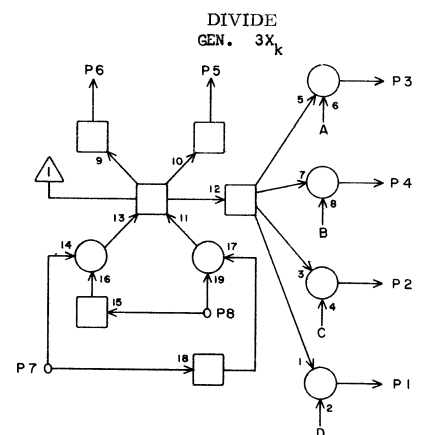
JACK PIN LG

63019700 Rev. H



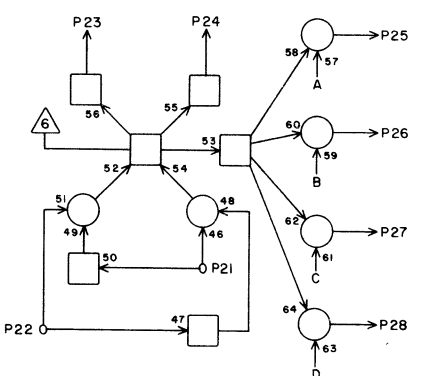
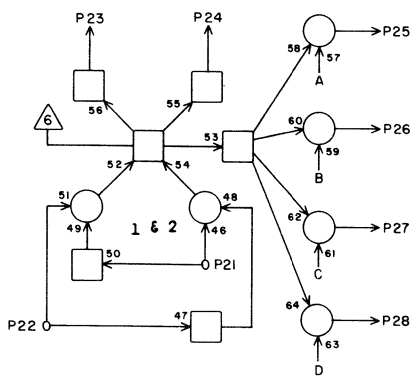
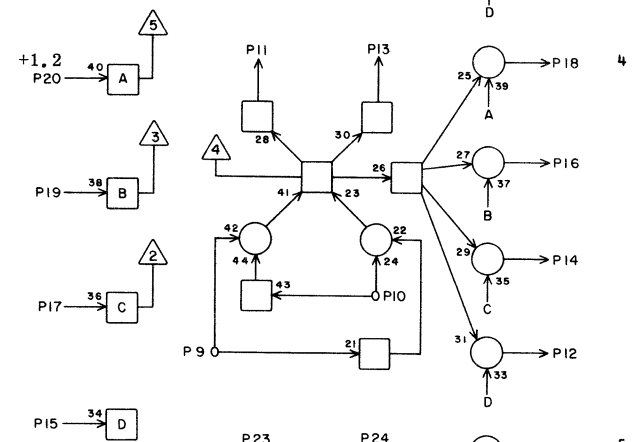
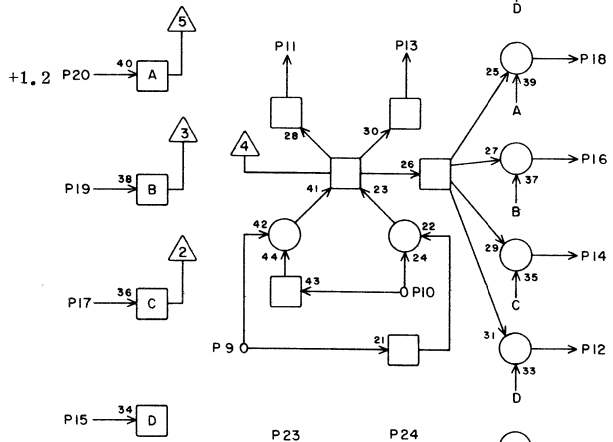
MF		2Q25	
JACK	PIN	LG	
1			
2			
3			
4			
5	M12	6	21
6			
7	Q14	1	15
8	R11	1	17
9	R11	5	17
10	P36	24	15
11			
12			
13	M12	10	21
14			
15			
16			
17			
18			
19			
20	Q14	4	15
21	R11	8	17
22	R11	25	17
23			
24	M12	25	21
25			
26			
27			
28			

63019700 Rev. H

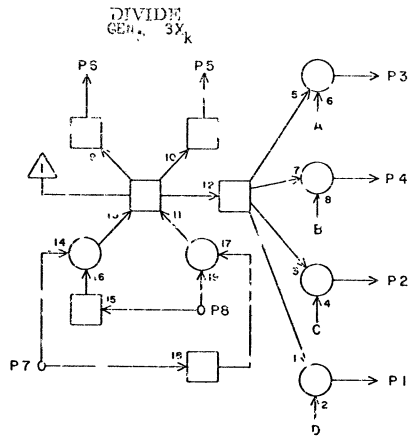


MF		2Q26	
JACK	PIN	LG	
1			
2			
3			
4			
5	M13	6	21
6			
7	R11	21	19
8	R12	1	17
9	R12	5	17
10	R35	5	13
11			
12			
13	M13	10	21
14			
15			
16			
17			
18			
19			
20	Q14	5	15
21	R12	8	17
22	R12	25	17
23			
24	M13	25	21
25			
26			
27			
28			

63019700 Rev. H



2Q26

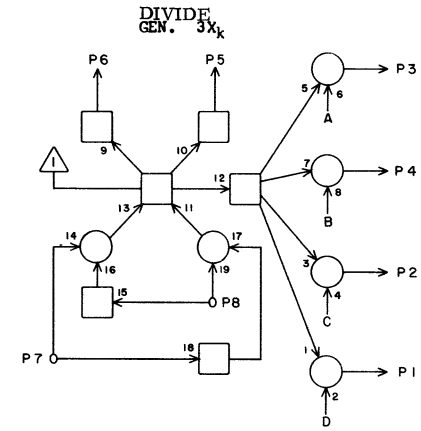


6

MF 2Q27

1			
2			
3			
4			
5	M14	6	21
6			
7	R12	21	19
8	R13	1	17
9	R13	5	17
10	R35	13	13
11			
12			
13	M14	10	21
14			
15			
16			
17			
18			
19			
20	Q14	6	17
21	R13	8	17
22	R13	25	17
23			
24	M14	25	21
25			
26			
27			
28			
	JACK	PIN	LG

65019700 Rev. 11

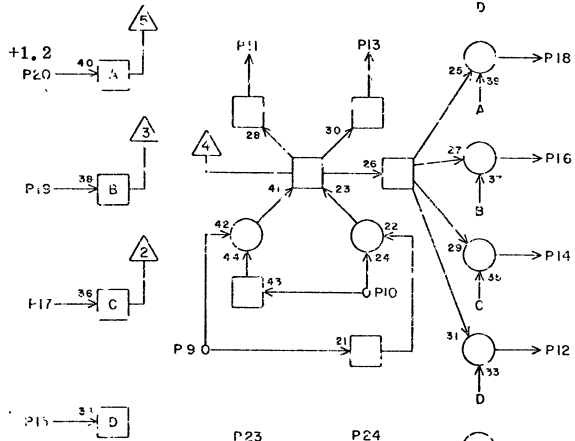


9

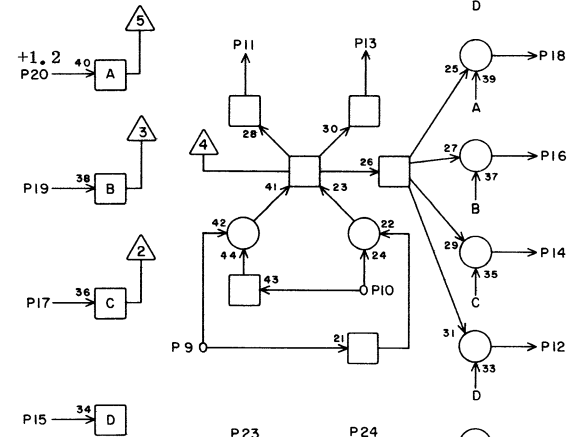
MF 2Q28

1			
2			
3			
4			
5	M15	6	21
6			
7	R13	21	19
8	R14	1	17
9	R14	5	17
10	P36	2	13
11			
12			
13	M15	10	21
14			
15			
16			
17			
18			
19			
20	Q14	7	17
21	R14	8	17
22	R14	25	17
23			
24	M15	25	21
25			
26			
27			
28			
	JACK	PIN	LG

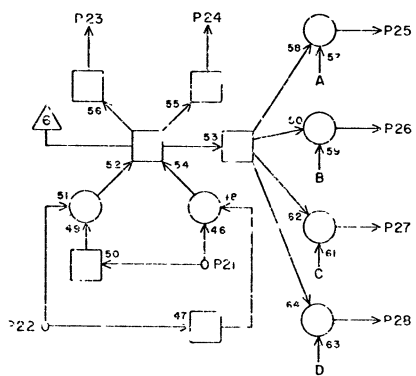
65019700 Rev. H



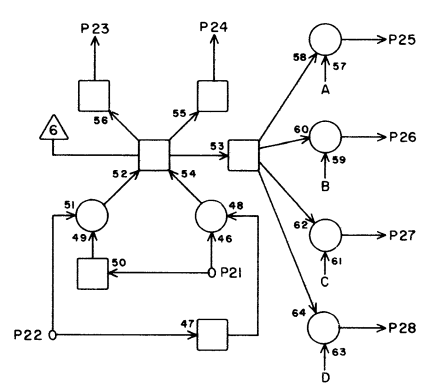
7



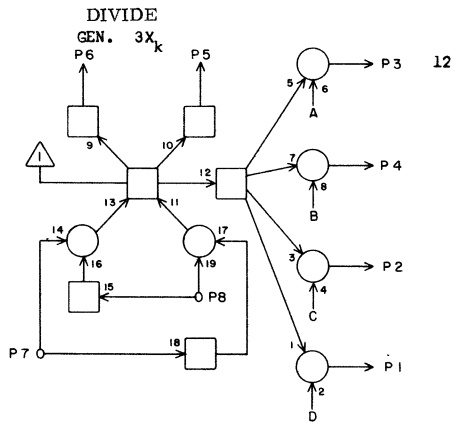
10



8

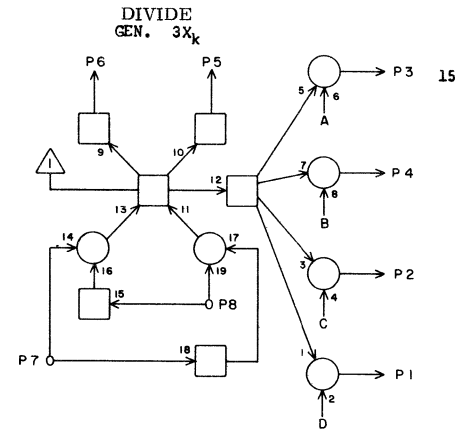


11



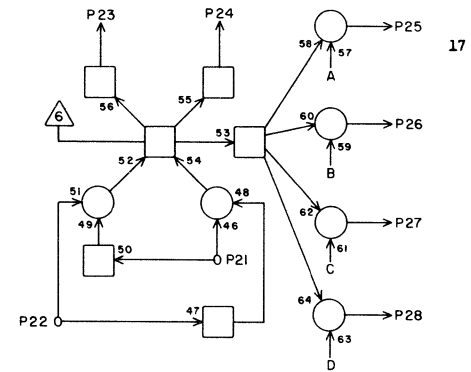
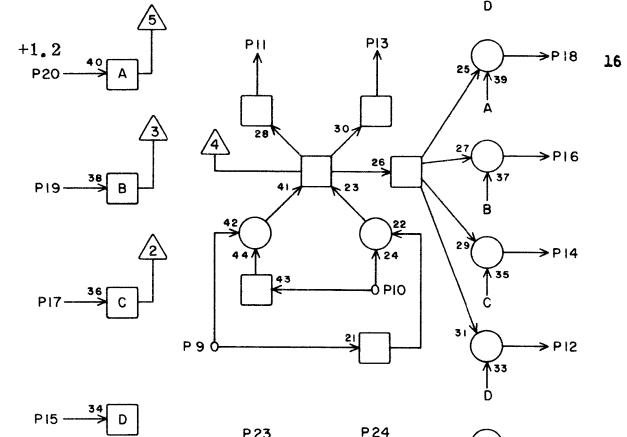
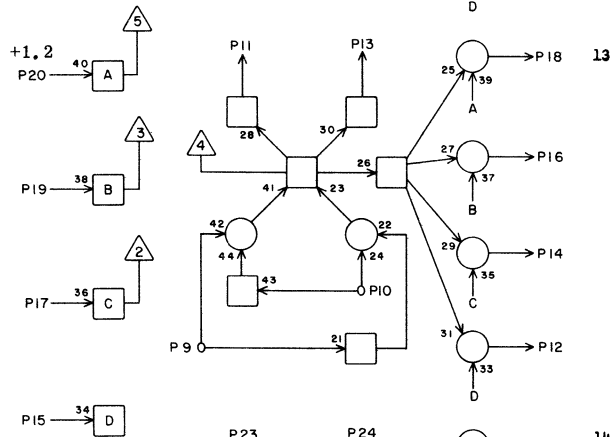
MF		2Q29	
JACK	PIN	LG	
1			
2			
3			
4			
5	M16	6	21
6			
7	R14	21	19
8	R15	1	17
9	R15	5	17
10	R35	22	11
11			
12			
13	M16	10	21
14			
15			
16			
17			
18			
19			
20	Q14	8	17
21	R15	8	17
22	R15	25	17
23			
24	M16	25	21
25			
26			
27			
28			

63019700 Rev. H

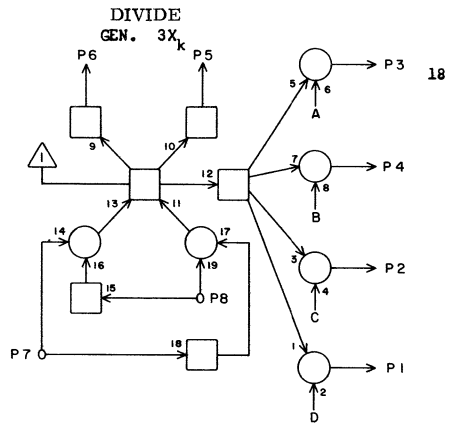


MF		2Q30	
JACK	PIN	LG	
1			
2			
3			
4			
5	M17	6	23
6			
7	R15	21	19
8	R16	1	17
9	R16	5	17
10	R35	16	11
11			
12			
13	M17	10	23
14			
15			
16			
17			
18			
19			
20	Q14	9	17
21	R16	8	17
22	R16	25	17
23			
24	M17	25	23
25			
26			
27			
28			

63019700 Rev. H



2Q30

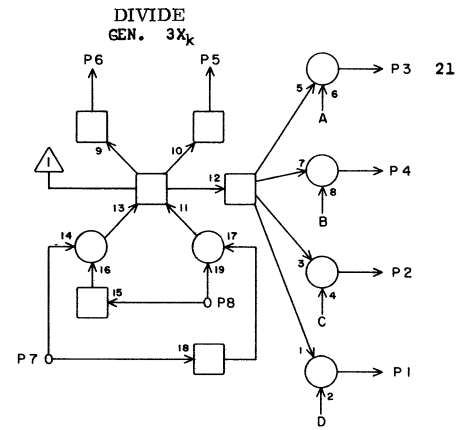


MF **2031**

1			
2			
3			
4			
5	M18	6	23
6			
7	R16	21	19
8	R17	1	17
9	R17	5	17
10	P37	24	11
11			
12			
13	M18	10	23
14			
15			
16			
17			
18			
19			
20	Q14	10	19
21	R17	8	17
22	R17	25	17
23			
24	M18	25	23
25			
26			
27			
28			

JACK PIN LG

63019700 Rev. H

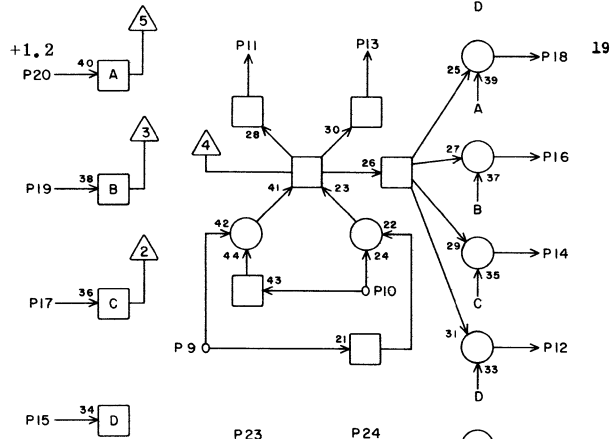


MF **2032**

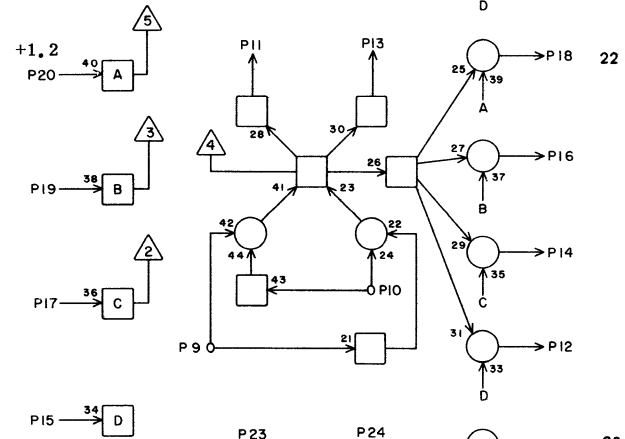
1			
2			
3			
4			
5	M19	6	23
6			
7	R17	21	19
8	R18	1	17
9	R18	5	17
10	R36	5	9
11			
12			
13	M19	10	23
14			
15			
16			
17			
18			
19			
20	Q14	11	19
21	R18	8	17
22	R18	25	17
23			
24	M19	25	23
25			
26			
27			
28			

JACK PIN LG

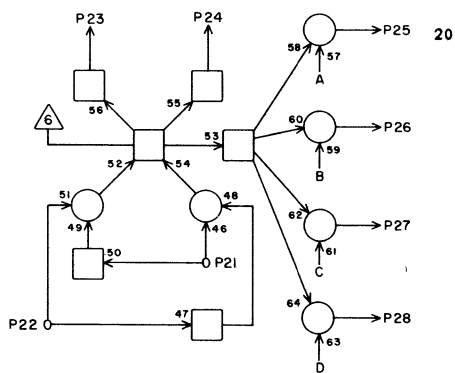
63019700 Rev. H



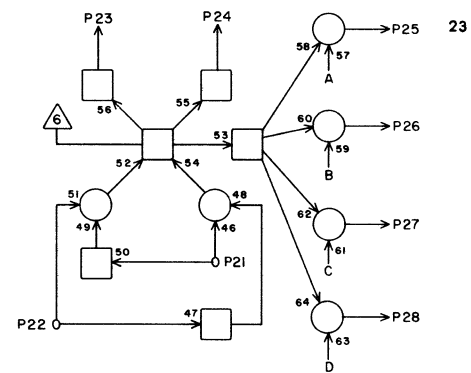
19



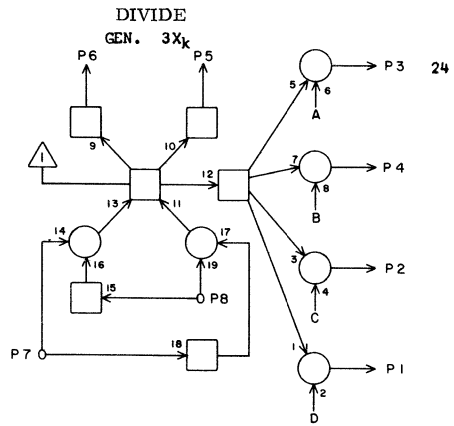
22



20



23

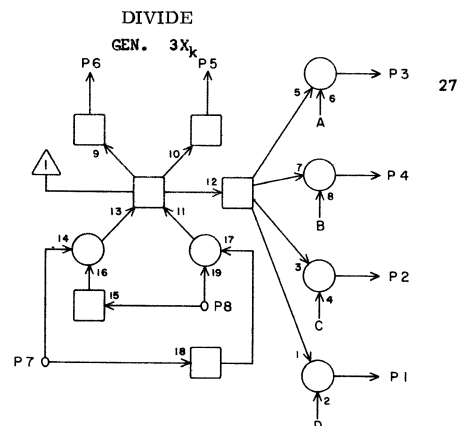


MF 2Q33

1			
2			
3			
4			
5	012	6	23
6			
7	R18	21	19
8	R19	1	17
9	R19	5	17
10	R36	13	9
11			
12			
13	012	10	23
14			
15			
16			
17			
18			
19			
20	Q14	13	19
21	R19	8	17
22	R19	25	17
23			
24	012	25	23
25			
26			
27			
28			

JACK PIN LG

63019700 Rev. H

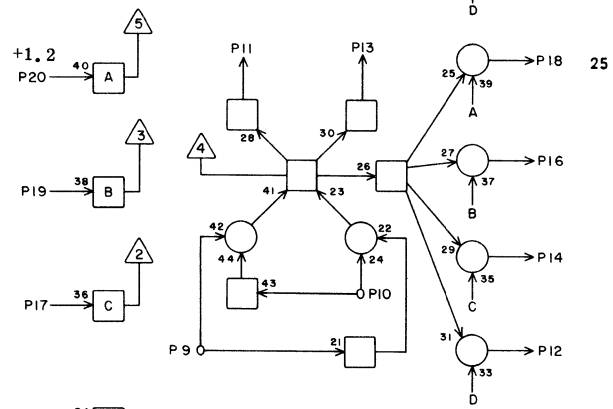


MF 2Q34

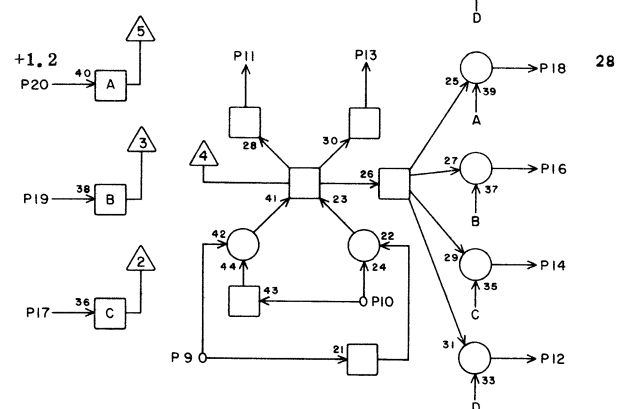
1			
2			
3			
4			
5	013	6	23
6			
7	R19	21	19
8	R20	1	17
9	R20	5	17
10	P37	2	9
11			
12			
13	013	10	23
14			
15			
16			
17			
18			
19			
20	Q14	15	21
21	R20	8	17
22	R20	25	17
23			
24	013	25	23
25			
26			
27			
28			

JACK PIN LG

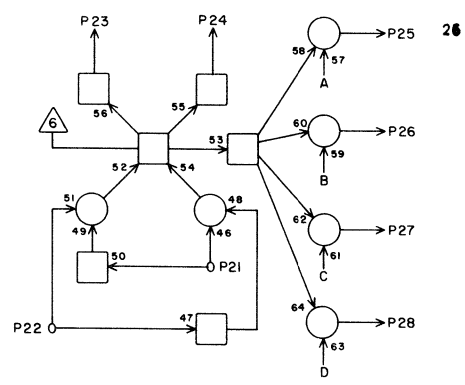
63019700 Rev. H



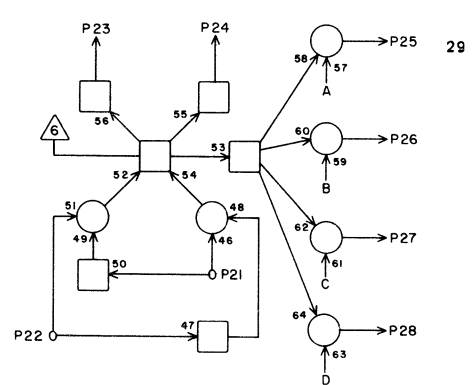
25



28

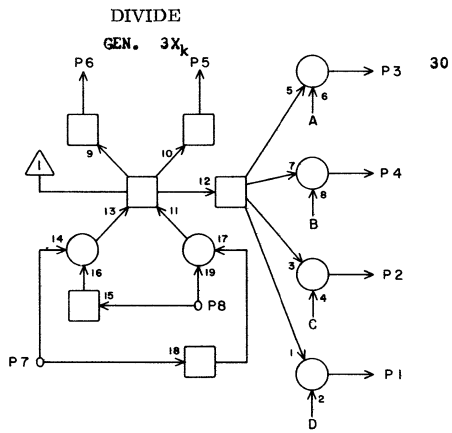


26



29

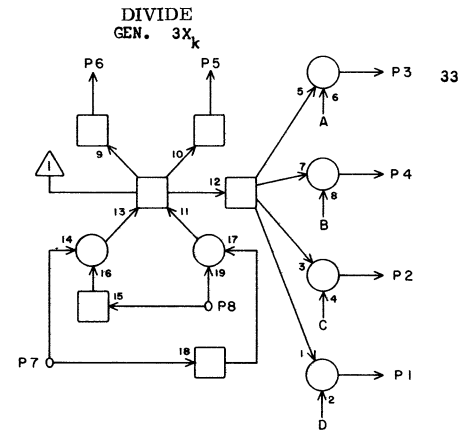
2Q34



MF 2Q35

1			
2			
3			
4			
5	Q14	6	23
6			
7	R20	21	19
8	R21	1	17
9	R21	5	17
10	R36	22	9
11			
12			
13	Q14	10	23
14			
15			
16			
17			
18			
19			
20	Q14	17	23
21	R21	8	17
22	R21	25	17
23			
24	Q14	25	23
25			
26			
27			
28			
	JACK	PIN	LG

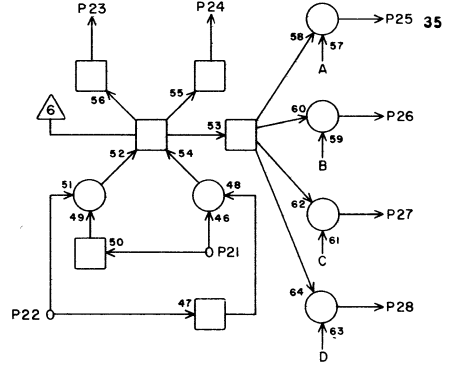
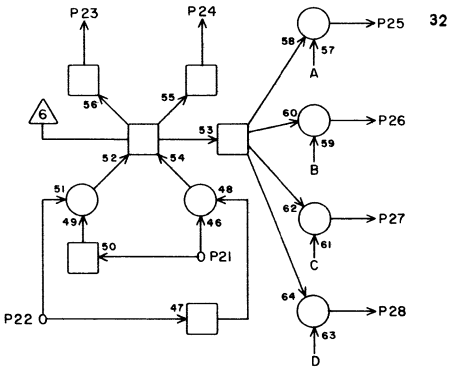
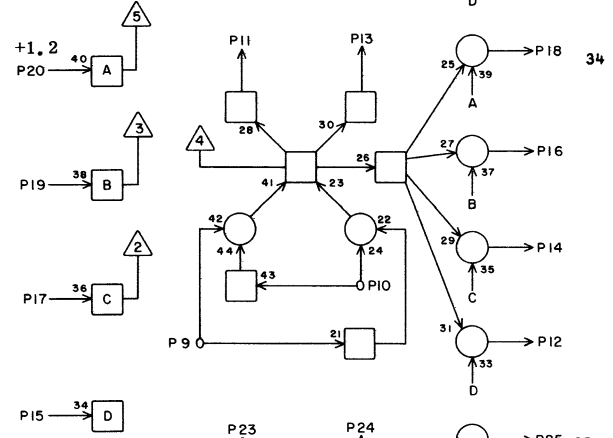
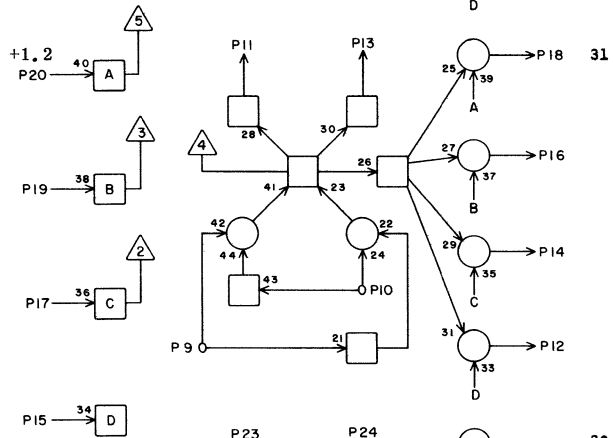
63019700 Rev. H

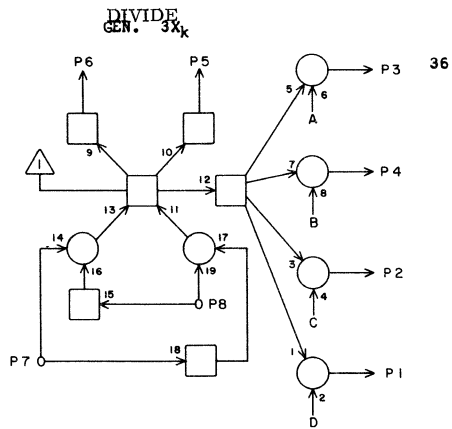


MF 2Q36

1			
2			
3			
4			
5	Q15	6	23
6			
7	R21	21	19
8	R22	1	17
9	R22	5	17
10	R36	16	9
11			
12			
13	Q15	10	23
14			
15			
16			
17			
18			
19			
20	Q14	18	23
21	R22	8	17
22	R22	25	17
23			
24	Q15	25	23
25			
26			
27			
28			
	JACK	PIN	LG

63019700 Rev. H

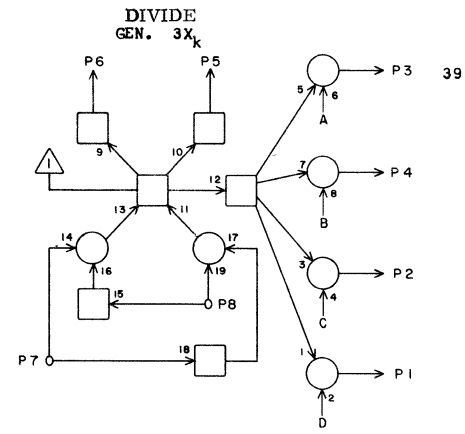




MF 2Q37

1		
2		
3		
4		
5	O16	6 23
6		
7	R22	21 19
8	R23	1 17
9	R23	5 17
10	P38	24 7
11		
12		
13	O16	10 23
14		
15		
16		
17		
18		
19		
20	Q14	19 23
21	R23	8 17
22	R23	25 17
23		
24	O16	25 23
25		
26		
27		
28		
JACK PIN LG		

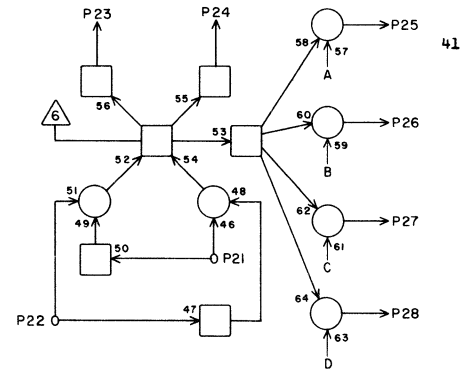
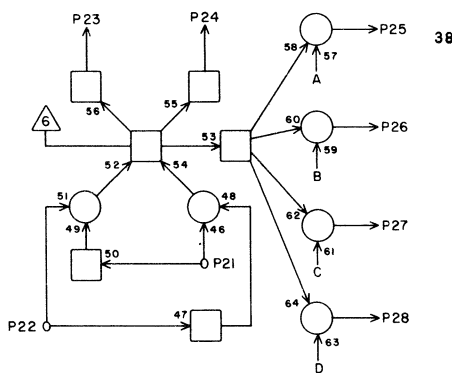
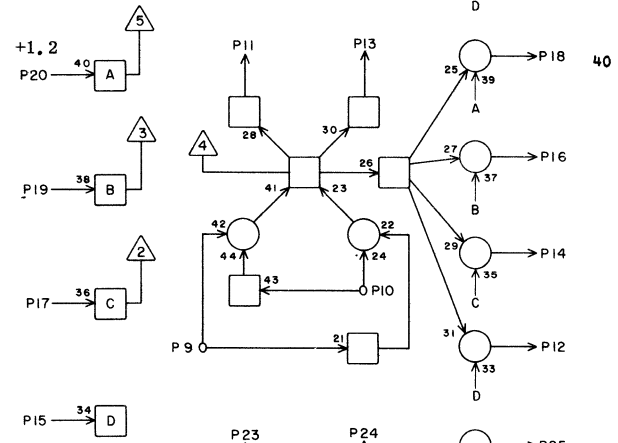
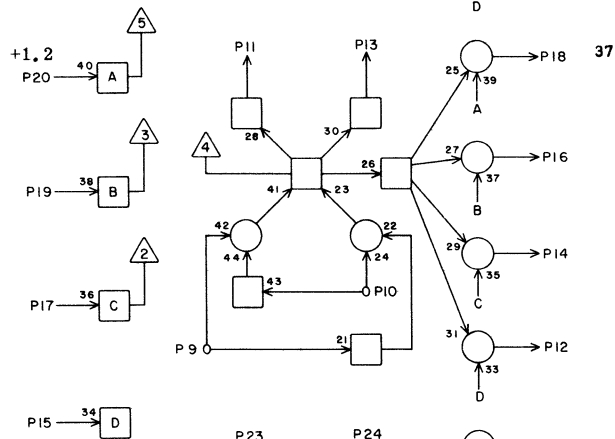
63019700 Rev. H



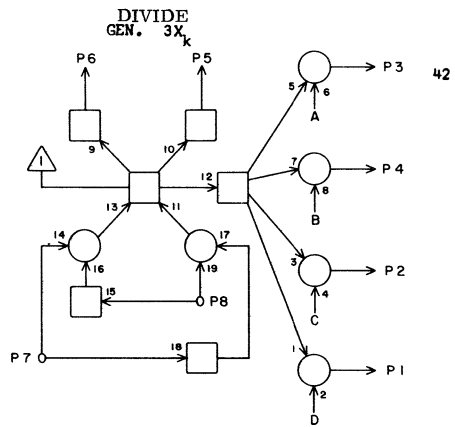
MF 2Q38

1		
2		
3		
4		
5	O17	6 23
6		
7	R23	21 19
8	R24	1 17
9	R24	5 17
10	R37	5 7
11		
12		
13	O17	10 23
14		
15		
16		
17		
18		
19		
20	Q14	20 25
21	R24	8 17
22	R24	25 17
23		
24	O17	25 23
25		
26		
27		
28		
JACK PIN LG		

63019700 Rev. H



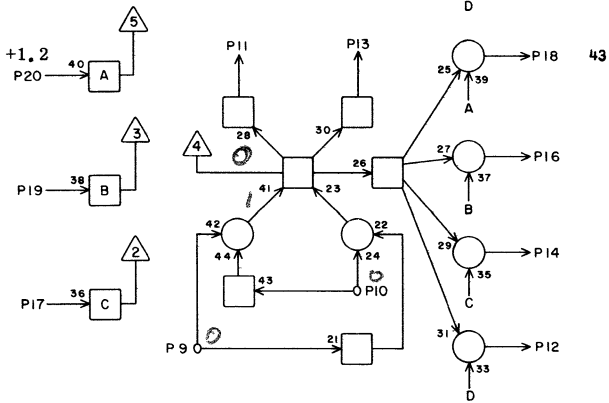
2Q38



MF **2Q39**

1			
2			
3			
4			
5	018	6	23
6			
7	R24	21	19
8	R25	1	17
9	R25	5	17
10	R37	13	9
11			
12			
13	018	10	23
14			
15			
16			
17			
18			
19			
20	Q14	21	25
21	R25	8	17
22	R25	25	17
23			
24	018	25	23
25			
26			
27			
28			
	JACK	PIN	LG

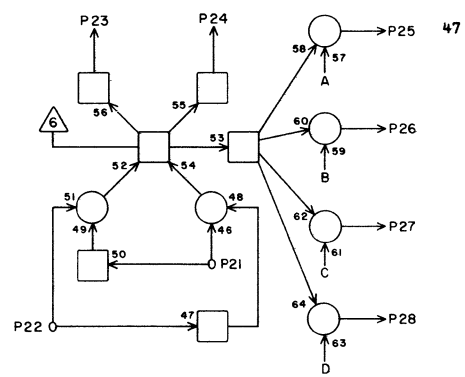
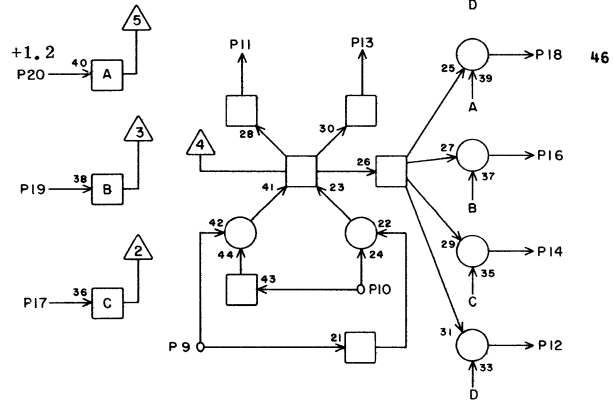
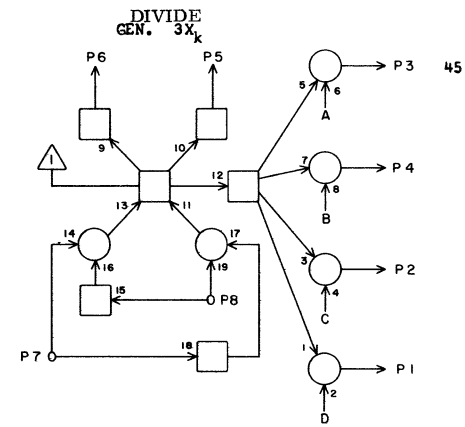
63019700 Rev. H



MF **2Q40**

1			
2			
3			
4			
5	019	6	23
6			
7	R25	21	19
8	R26	1	17
9	R26	5	17
10	P38	2	9
11			
12			
13	019	10	23
14			
15			
16			
17			
18			
19			
20	Q14	22	27
21	R26	8	17
22	R26	25	17
23			
24	019	25	23
25			
26			
27			
28			
	JACK	PIN	LG

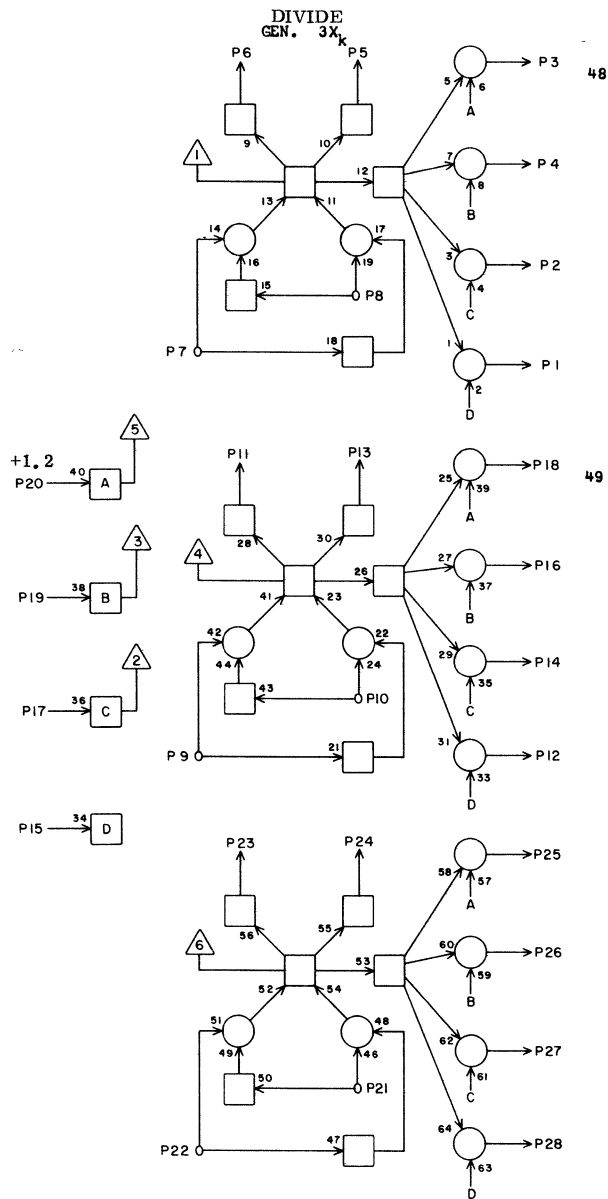
63019700 Rev. H



MF **2Q40**

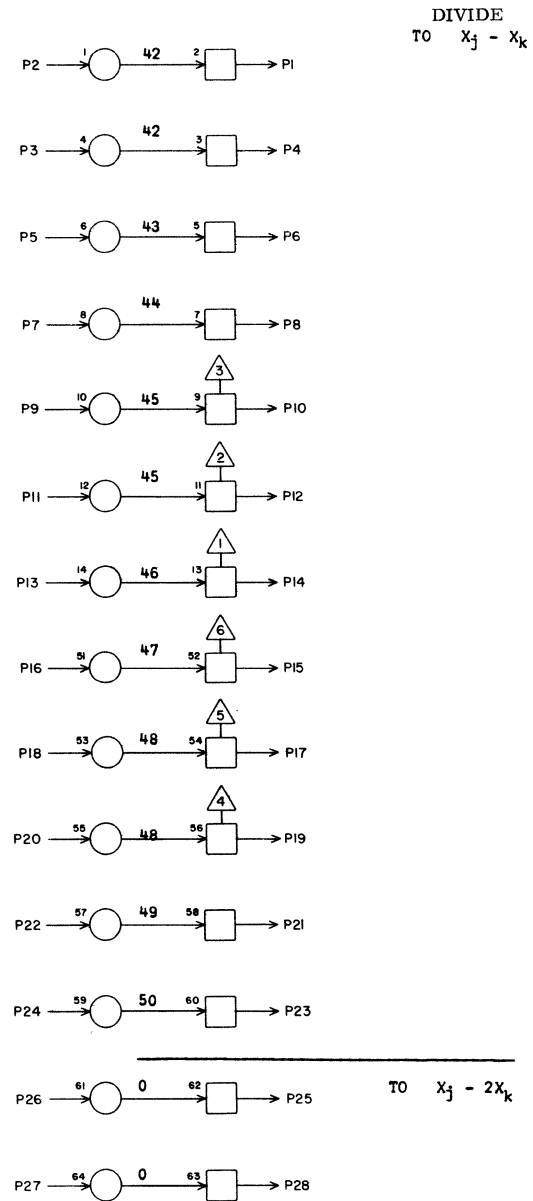
1			
2			
3			
4			
5	019	6	23
6			
7	R25	21	19
8	R26	1	17
9	R26	5	17
10	P38	2	9
11			
12			
13	019	10	23
14			
15			
16			
17			
18			
19			
20	Q14	22	27
21	R26	8	17
22	R26	25	17
23			
24	019	25	23
25			
26			
27			
28			
	JACK	PIN	LG

63019700 Rev. H



MF		2Q41	
JACK	PIN	LG	
1			
2			
3			
4			
5	M36	6	19
6			
7	R26	21	19
8	J22	18	33
9			
10	R37	22	11
11			
12			
13	M36	10	18
14			
15			
16			
17			
18			
19			
20	Q14	23	27
21			
22			
23			
24			
25			
26			
27			
28			

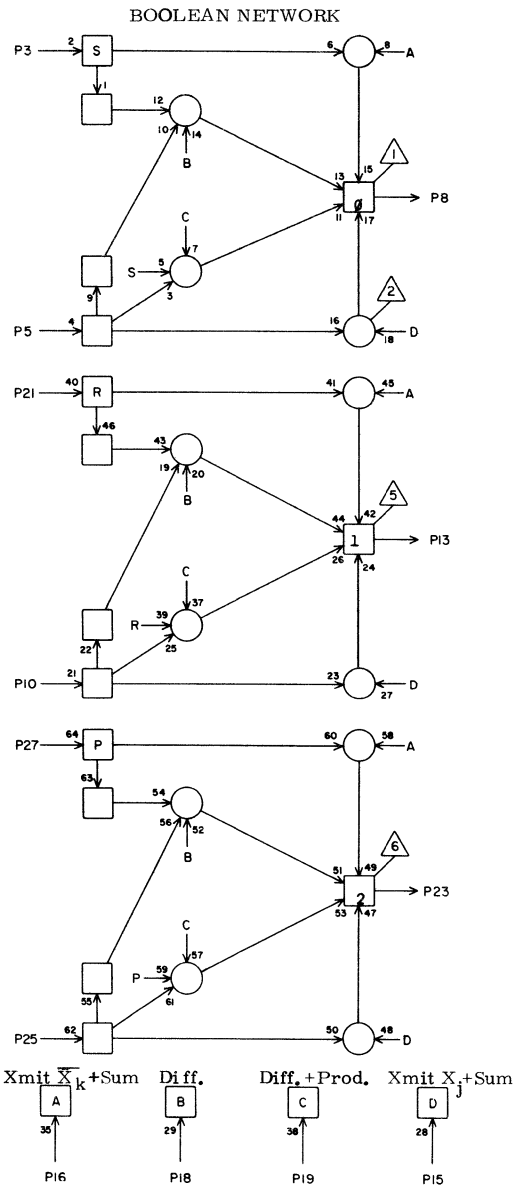
63019700 Rev. H



2Q42

GI		2Q42	
JACK	PIN	LG	
1	N34	17	19
2	O34	9	17
3	O34	7	17
4	N34	10	19
5	O34	11	17
6	N34	8	19
7	O34	14	17
8	N34	22	19
9	O35	9	17
10	N35	17	19
11	O35	7	17
12	N35	10	19
13	O35	11	17
14	N35	8	19
15	M35	22	19
16	O35	14	17
17	O37	17	17
18	O36	9	17
19	O37	10	17
20	O36	7	17
21	O37	8	17
22	O36	11	17
23	O37	22	17
24	O36	14	17
25	L20	17	33
26	M20	9	31
27	M20	7	31
28	L20	10	33

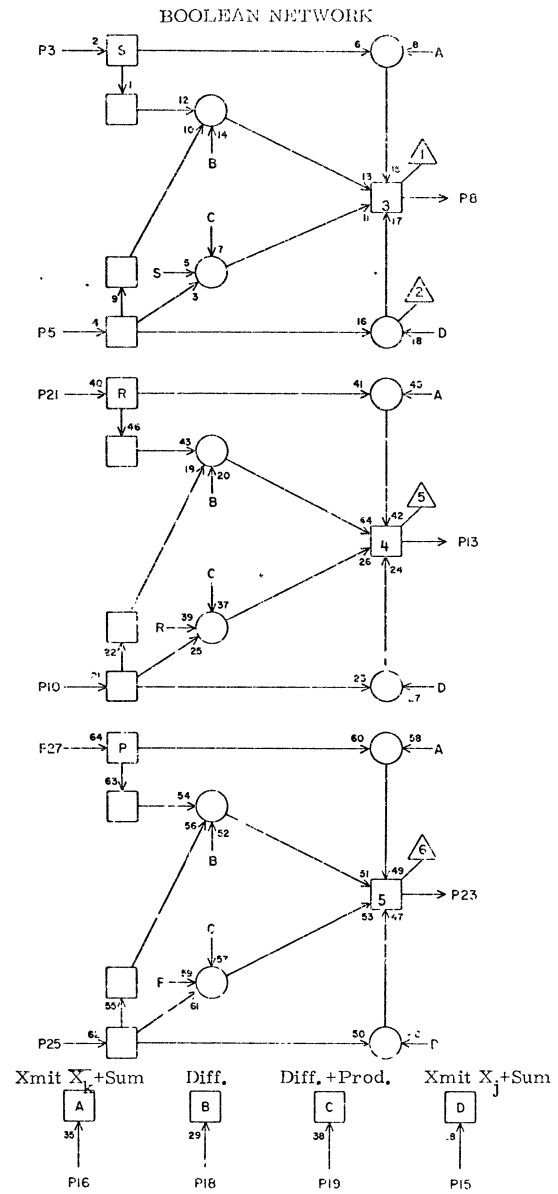
63019700 Rev. H



GB 2R01

1			
2			
3	R06	25	9
4			
5	Q06	25	9
6			
7			
8	Q01	4	9
9			
10	Q06	21	11
11			
12			
13	Q01	6	9
14			
15	Q04	19	15
16	Q01	19	15
17			
18	Q02	19	15
19	Q03	19	15
20			
21	R06	21	9
22			
23	Q01	12	9
24			
25	Q06	19	11
26			
27	R06	19	9
28			
	JACK	PIN	LG

63019700 Rev. H

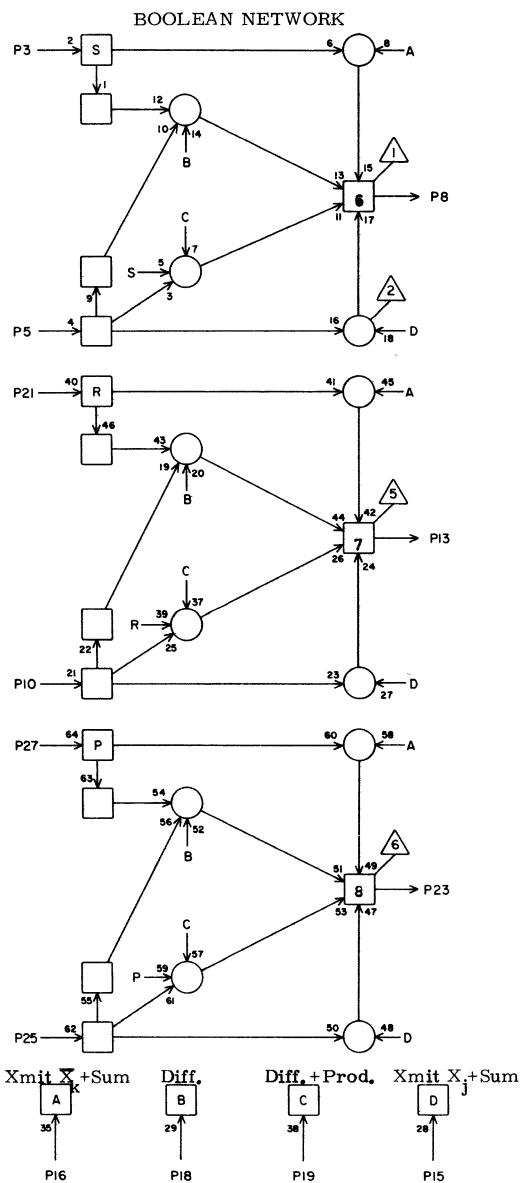


2R02

GB 2R02

1			
2			
3	R06	17	7
4			
5	Q06	17	9
6			
7			
8	Q01	22	5
9			
10	Q07	25	9
11			
12			
13	Q01	16	7
14			
15	Q04	20	15
16	Q01	20	15
17			
18	Q02	20	15
19	Q03	20	15
20			
21	R07	25	9
22			
23	Q01	26	7
24			
25	Q07	21	9
26			
27	R07	21	9
28			
	JACK	PIN	LG

63019700 Rev. H

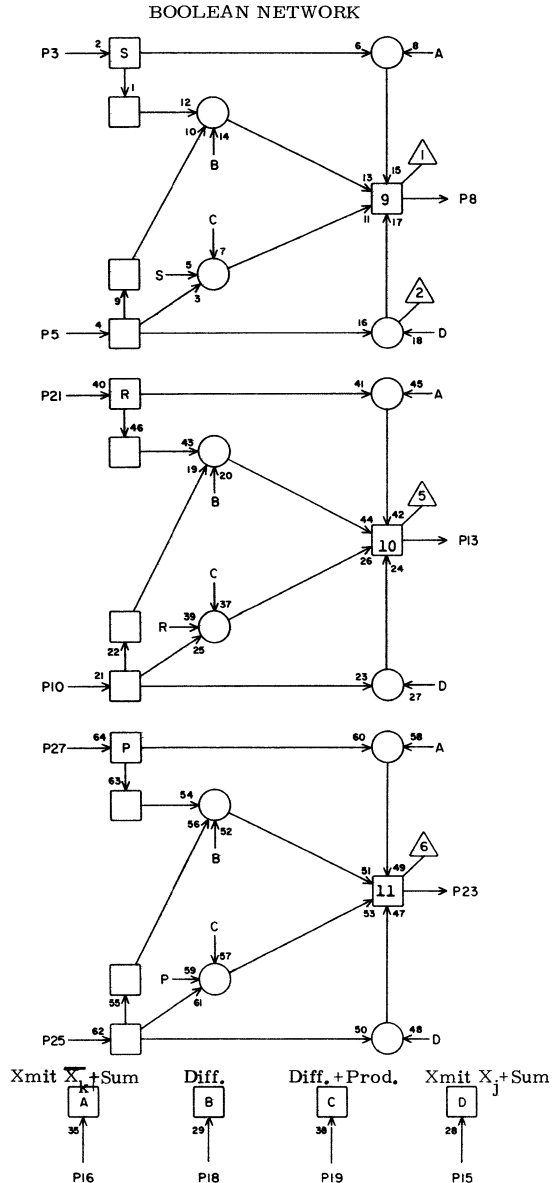


GB 2R03

1			
2			
3	R07	19	7
4			
5	Q07	19	9
6			
7			
8	Q02	4	9
9			
10	Q07	17	9
11			
12			
13	Q02	6	9
14			
15	004	21	15
16	001	21	15
17			
18	002	21	15
19	003	21	15
20			
21	R07	17	7
22			
23	Q02	12	9
24			
25	Q08	25	11
26			
27	R08	25	9
28			

JACK PIN LG

63019700 Rev. H

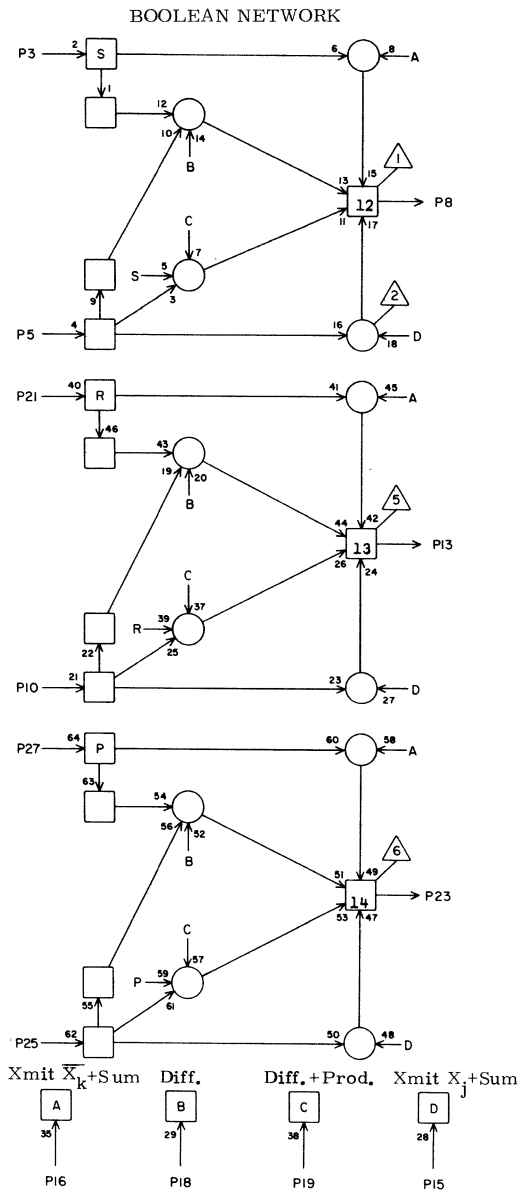


GB 2R04

1			
2			
3	R08	21	7
4			
5	Q08	21	9
6			
7			
8	Q02	22	5
9			
10	Q08	19	9
11			
12			
13	Q02	16	9
14			
15	004	22	15
16	001	22	15
17			
18	002	22	15
19	003	22	15
20			
21	R08	19	7
22			
23	Q02	26	9
24			
25	Q08	17	11
26			
27	R08	17	7
28			

JACK PIN LG

63019700 Rev. H

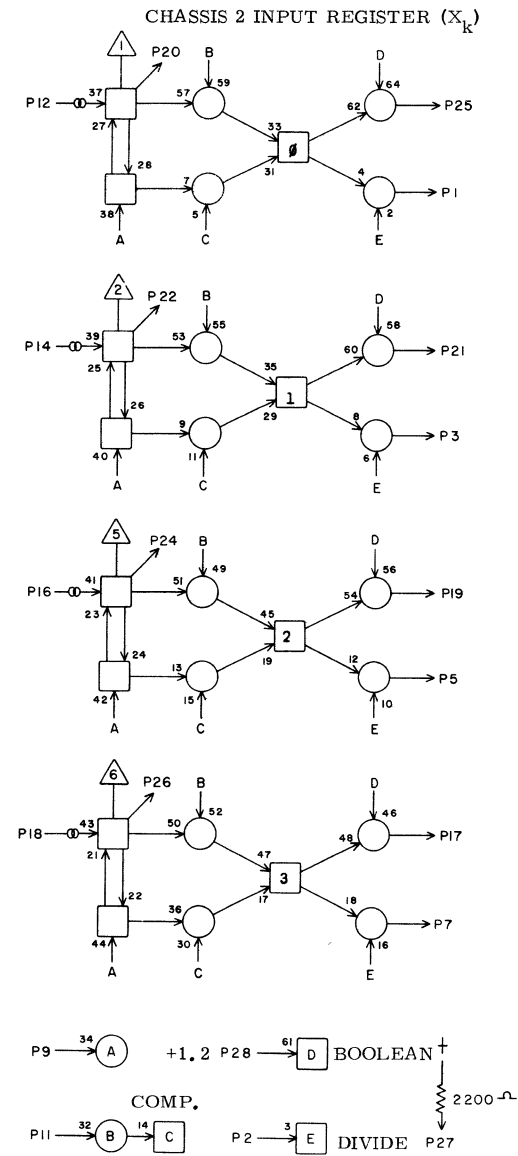


GB **2R05**

1			
2			
3	R09	25	7
4			
5	Q09	25	9
6			
7			
8	Q03	4	9
9			
10	Q09	21	9
11			
12			
13	Q03	6	9
14			
15	004	23	15
16	001	23	15
17			
18	002	23	15
19	003	23	15
20			
21	R09	21	7
22			
23	Q03	12	11
24			
25	Q09	19	11
26			
27	R09	19	7
28			

JACK PIN LG

63019700 Rev. H



2R06

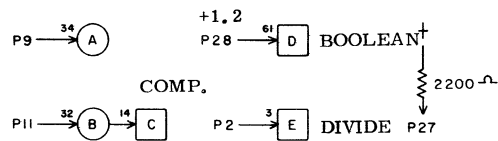
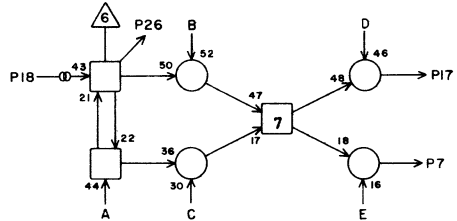
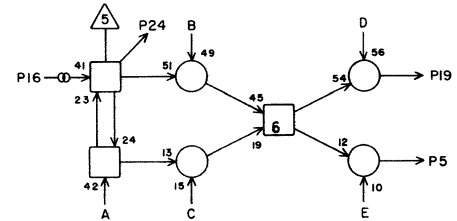
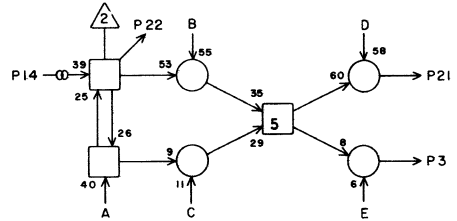
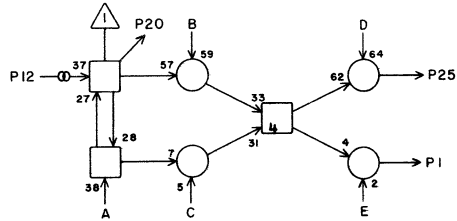
GA **2R06**

1	R11	11	7
2	P14	11	15
3	R11	10	9
4			
5	R11	15	9
6			
7	R12	11	9
8			
9	P11	11	13
10			
11	P12	11	13
12	W27	90	
13			
14	W27	91	
15			
16	W27	92	
17	R02	3	7
18	W27	93	
19	R01	27	9
20	I01	4	39
21	R01	21	9
22	I01	6	39
23			
24	I01	12	39
25	R01	3	9
26	I01	22	39
27	P16	13	17
28	P13	11	15

JACK PIN LG

63019700 Rev. H

CHASSIS 2 INPUT REGISTER (X_k)



GA

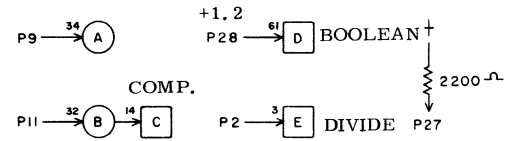
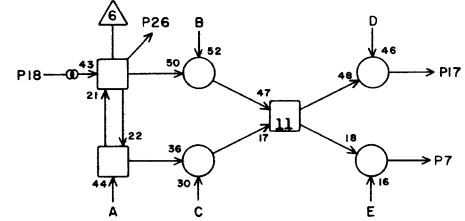
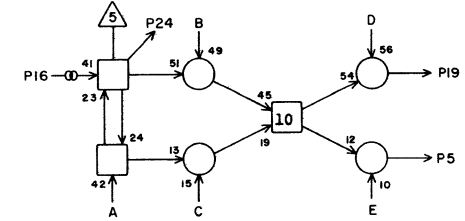
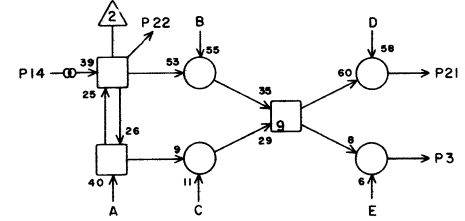
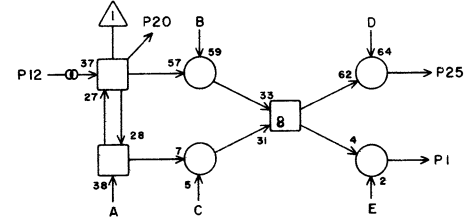
2R07

1	R12	10	9
2	P14	13	15
3	R12	15	9
4			
5	R13	11	9
6			
7	R13	10	9
8			
9	P11	13	13
10			
11	P12	13	11
12	W27	94	
13			
14	W27	95	
15			
16	W27	96	
17	R03	21	7
18	W27	97	
19	R03	3	7
20	I01	16	39
21	R02	27	9
22	I01	26	39
23			
24	I02	4	39
25	R02	21	9
26	I02	6	39
27			
28	P13	13	15

JACK PIN LG

63019700 Rev. H

CHASSIS 2 INPUT REGISTER (X_k)



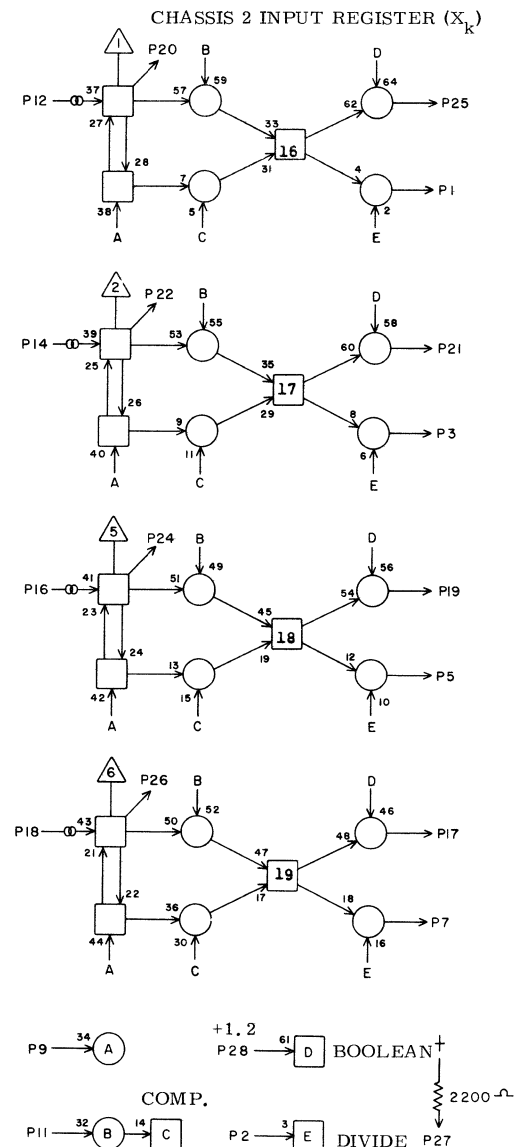
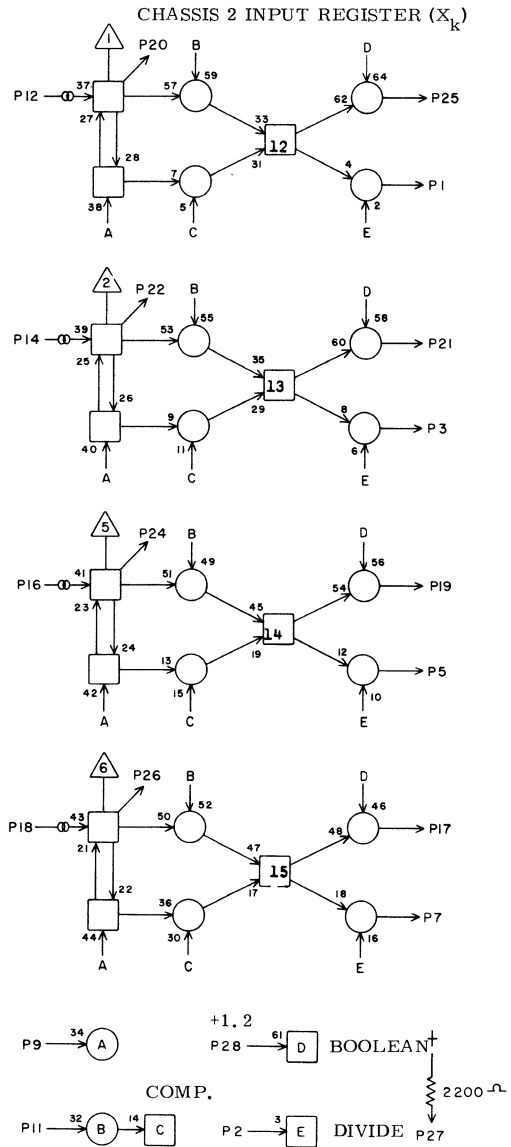
GA

2R08

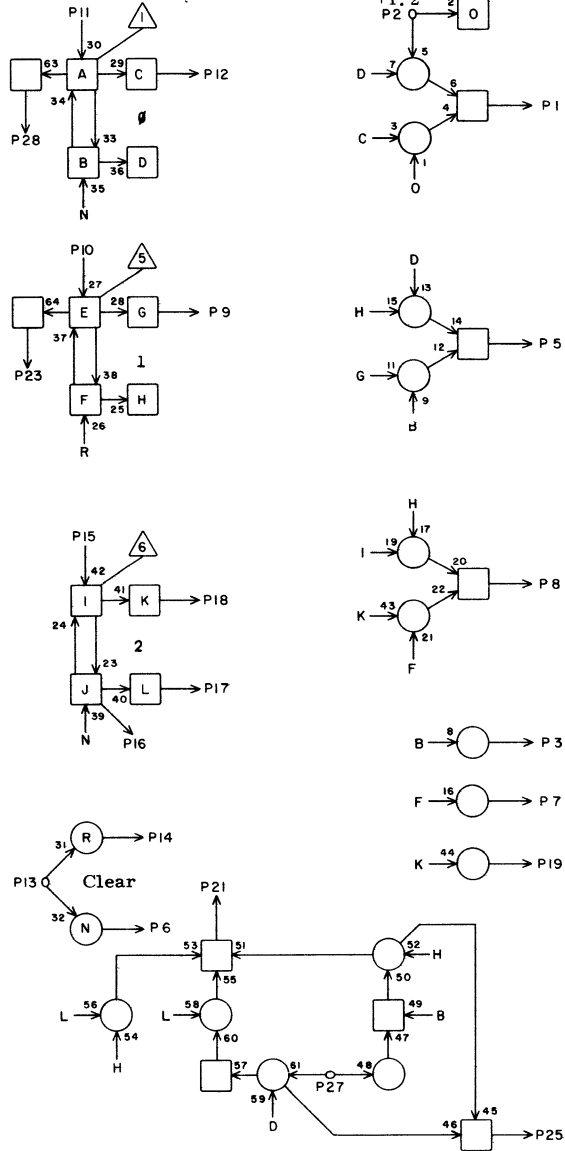
1	R13	15	9
2	P14	15	13
3	R14	11	9
4			
5	R14	10	9
6			
7	R14	15	9
8			
9	P11	15	13
10			
11	P12	15	13
12	W27	98	
13			
14	W27	99	
15			
16	W27	900	
17	R04	27	7
18	W27	901	
19	R04	21	7
20	I02	12	39
21	R04	3	7
22	I02	22	39
23			
24	I02	16	39
25	R03	27	9
26	I02	26	37
27			
28	P13	15	15

JACK PIN LG

63019700 Rev. H.

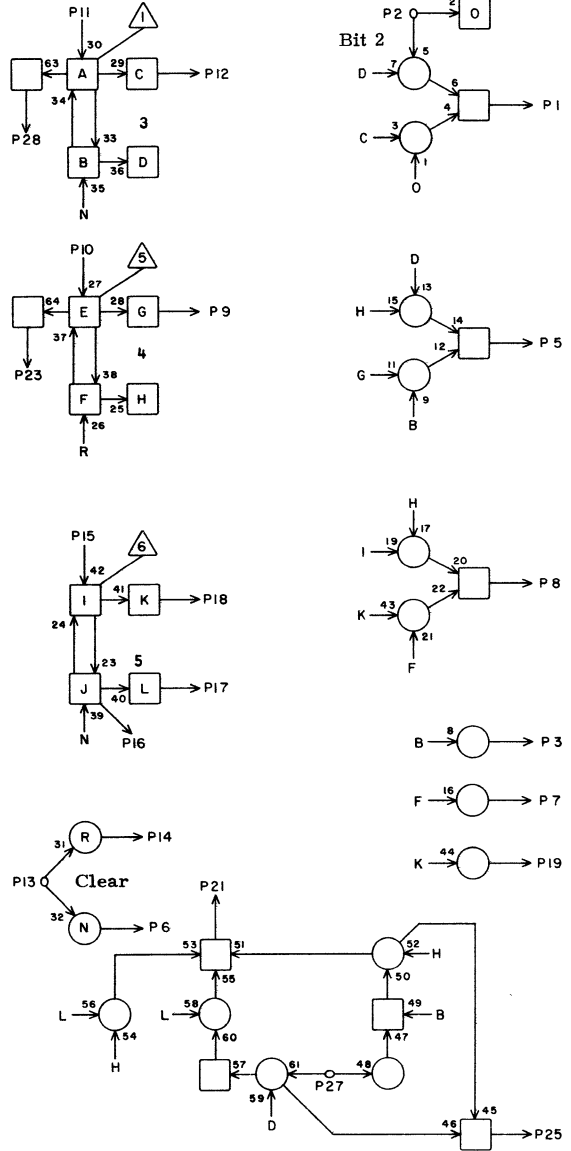


DIVIDE
 X_k FEEDER REG., $3X_k$ ADDER



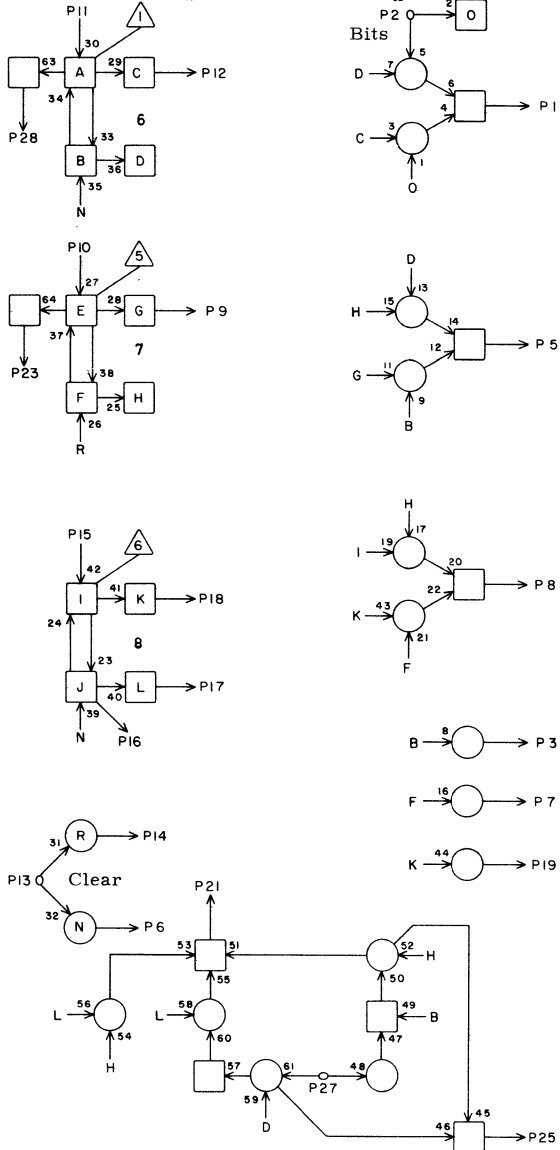
MA		
2R11		
1	Q25	8 17
2	R10	27 5
3	R27	2 17
4		
5	Q25	9 17
6		
7		
8	Q25	21 17
9	Q19	2 13
10	R06	3 9
11	R06	1 7
12	Q19	1 13
13	Q13	1 9
14		
15	R06	5 9
16	Q19	3 13
17	R12	2 5
18	R27	5 19
19		
20		
21	Q26	7 19
22		
23	R27	3 19
24		
25	Q25	22 17
26		
27	P36	22 27
28		
	JACK	PIN LG

DIVIDE
 X_k FEEDER REG., $3X_k$ ADDER



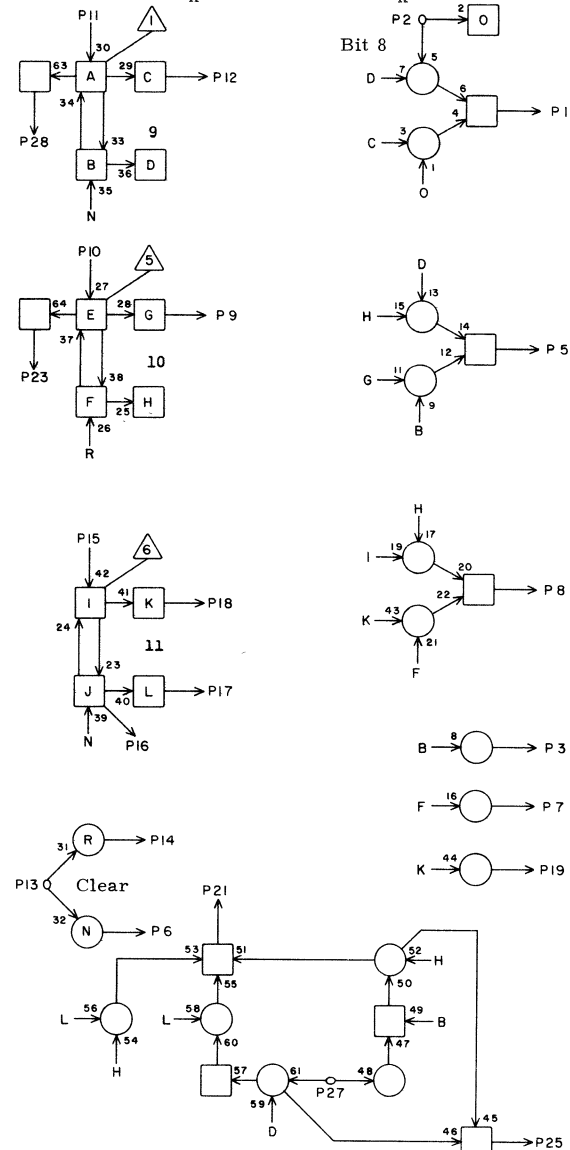
MA		
2R12		
1	Q26	8 17
2	R11	17 5
3		
4		
5	Q26	9 17
6		
7		
8	Q26	21 17
9	Q19	27 11
10	R07	1 9
11	R06	7 9
12	Q19	5 13
13	Q13	2 9
14		
15	R07	3 9
16	Q19	28 11
17	R13	2 5
18	R27	10 17
19		
20		
21	Q27	7 19
22		
23	R27	11 17
24		
25	Q26	22 17
26		
27	R35	6 25
28	R27	1 17
	JACK	PIN LG

DIVIDE
X_k FEEDER REG., 3X_k ADDER

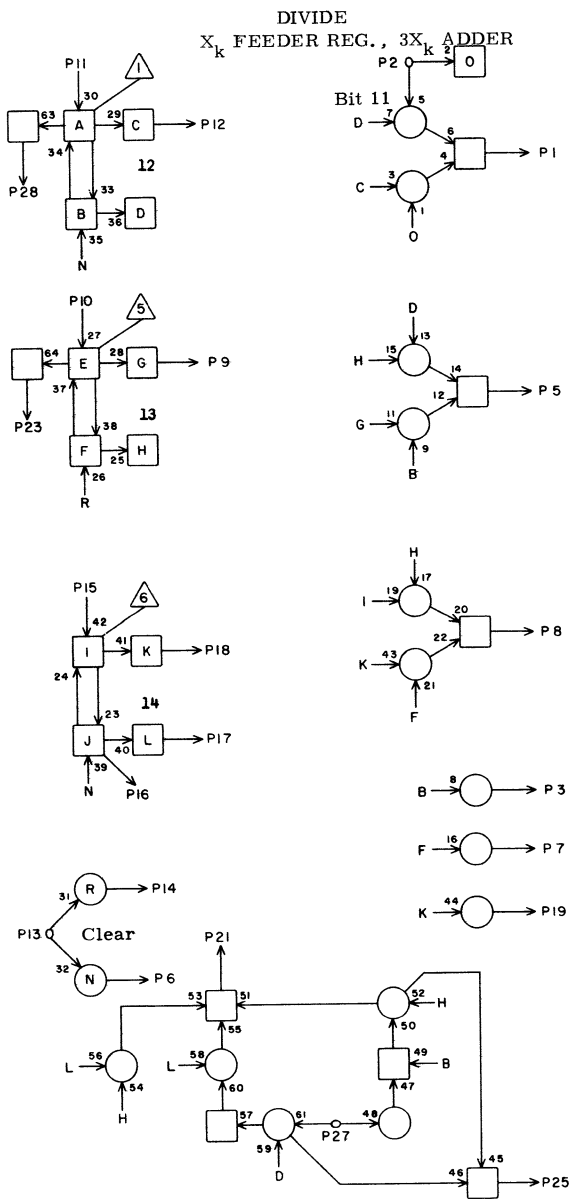


MA		2R13	
1	Q27	8	17
2	R12	17	5
3			
4			
5	Q27	9	17
6			
7			
8	Q27	21	17
9	Q19	23	11
10	R07	7	9
11	R07	5	9
12	Q19	25	11
13	Q13	3	9
14			
15	R08	1	9
16	Q20	1	13
17	R14	2	5
18	R27	21	17
19			
20			
21	Q28	7	19
22			
23	R27	24	17
24			
25	Q27	22	17
26			
27	R35	12	23
28	R27	15	17
	JACK	PIN	LG

DIVIDE
X_k FEEDER REG., 3X_k ADDER



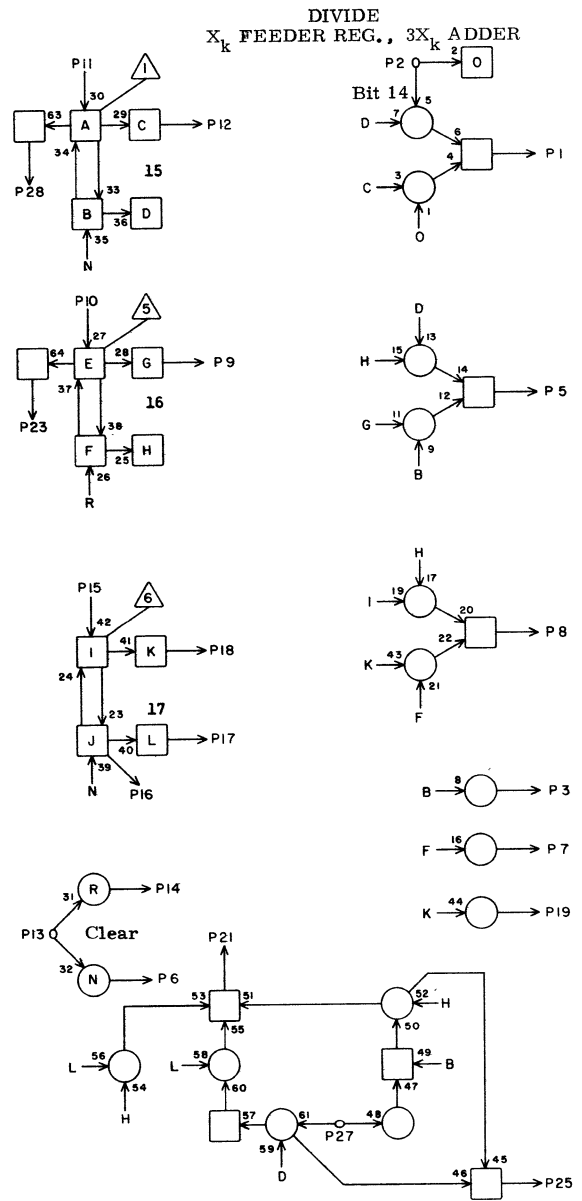
MA		2R14	
1	Q28	8	17
2	R13	17	5
3			
4			
5	Q28	9	17
6			
7			
8	Q28	21	17
9	Q20	3	11
10	R08	5	9
11	R08	3	9
12	Q20	2	11
13	Q13	4	9
14			
15	R08	7	9
16	Q20	5	11
17	R15	2	5
18	R28	5	17
19			
20			
21	Q29	7	19
22			
23	R28	3	17
24			
25	Q28	22	17
26			
27	P36	15	25
28	R27	25	17
	JACK	PIN	LG



MA 2R15

1	Q29	8	17
2	R14	17	5
3			
4			
5	Q29	9	17
6			
7			
8	Q29	21	17
9	Q20	28	9
10	R09	3	9
11	R09	1	9
12	Q20	27	11
13	Q13	5	9
14			
15	R09	5	9
16	Q20	25	11
17	R16	2	5
18	R28	10	17
19			
20			
21	Q30	7	19
22			
23	R26	11	17
24			
25	Q29	22	17
26			
27	R35	24	21
28	R28	1	17
	JACK	PIN	LG

63019700 Rev. H

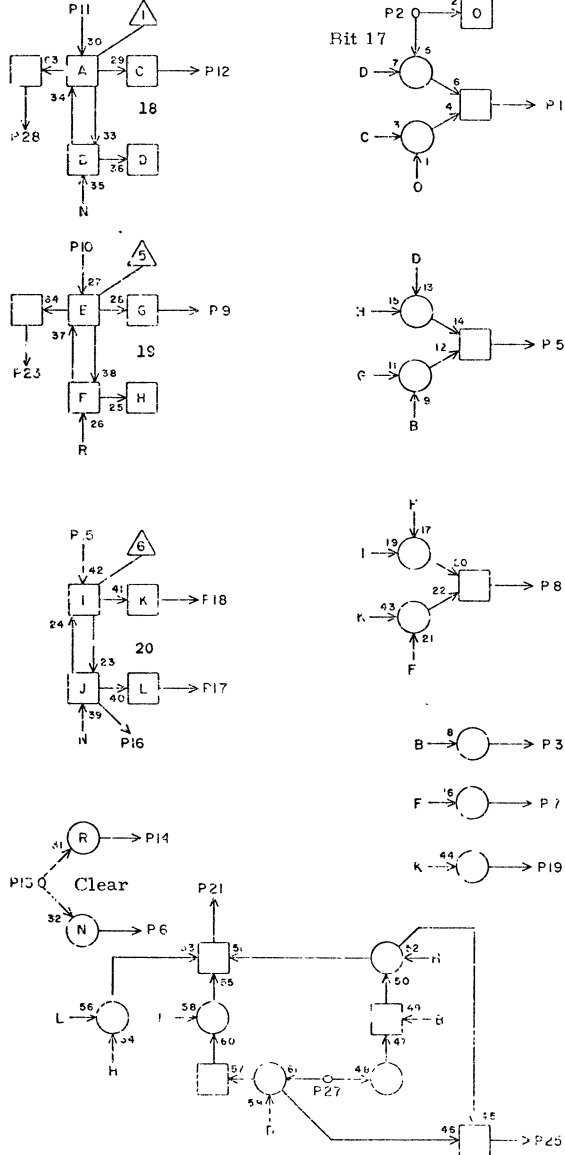


MA 2R16

1	Q30	8	17
2	R15	17	5
3			
4			
5	Q30	9	17
6			
7			
8	Q30	21	17
9	Q21	1	11
10	R10	1	9
11	R09	7	11
12	Q20	23	9
13	Q13	6	9
14			
15	R10	3	9
16	Q21	2	11
17	R17	2	5
18	R28	21	15
19			
20			
21	Q31	7	19
22			
23	R28	24	15
24			
25	Q30	22	17
26			
27	R35	18	21
28	R28	15	15
	JACK	PIN	LG

63019700 Rev. H

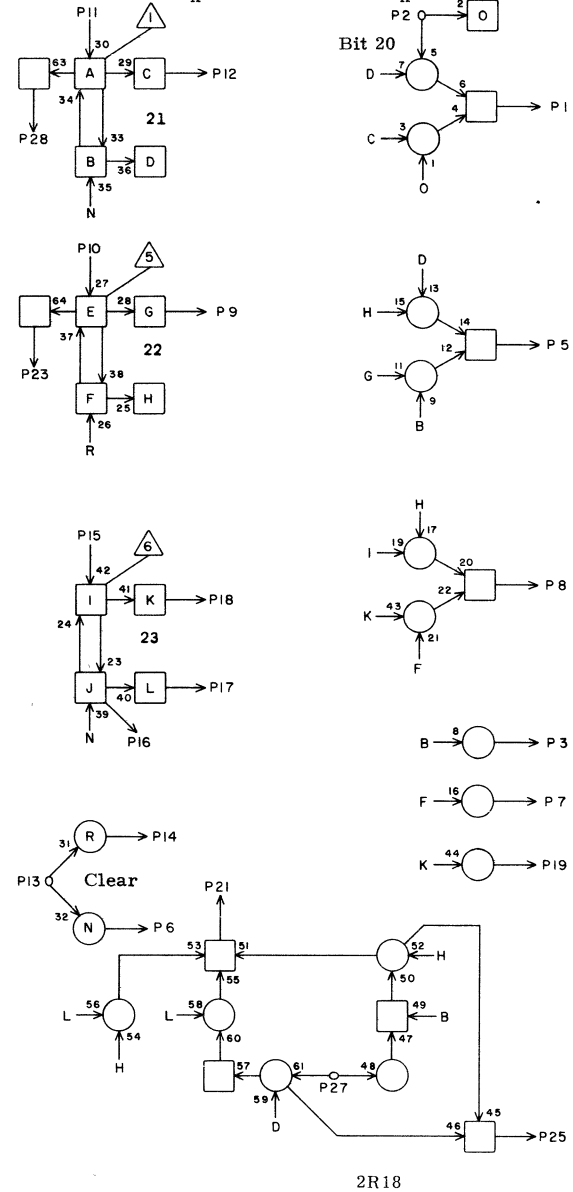
DIVIDE
X_k FEEDER REG., 3X_k ADDER



MA		2R17	
1	Q31	8	17
2	R16	17	5
3			
4			
5	Q31	9	17
6			
7			
8	Q31	21	17
9	Q21	5	9
10	R10	7	11
11	R10	5	11
12	Q21	3	9
13	Q13	7	9
14			
15	P05	1	17
16	Q21	27	9
17	R18	2	5
18	R29	5	13
19			
20			
21	Q32	7	19
22			
23	R29	3	13
24			
25	Q31	22	17
26			
27	P37	22	23
28	R28	25	13
	JACK	PIN	LG

63019700 Rev. H

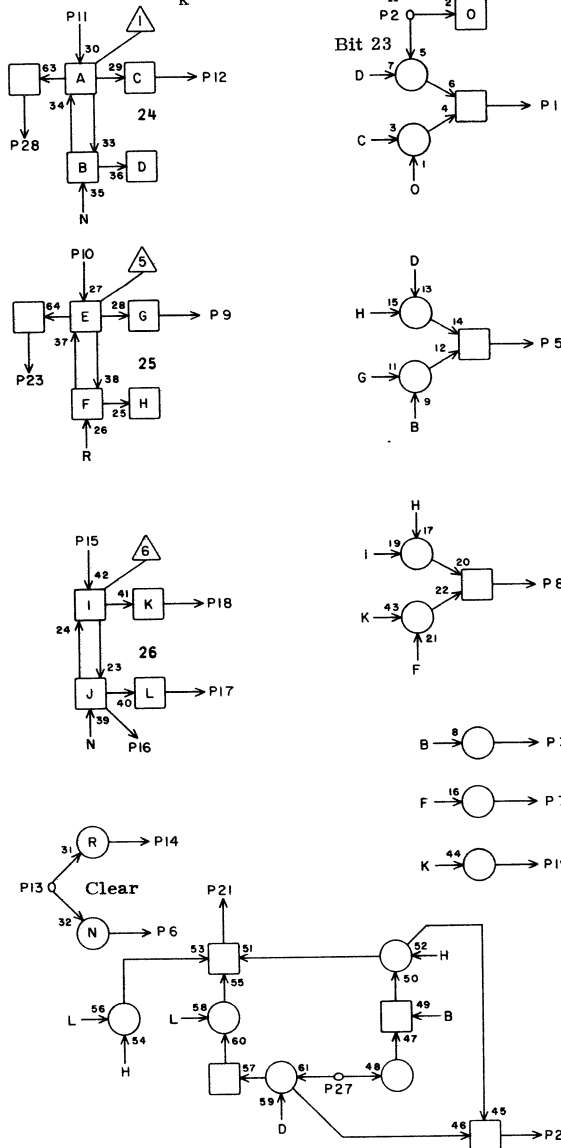
DIVIDER
X_k FEEDER REG., 3X_k ADDER



MA		2R18	
1	Q32	8	17
2	R17	17	5
3			
4			
5	Q32	9	17
6			
7			
8	Q32	21	17
9	Q21	25	7
10	P06	5	17
11	P06	3	17
12	Q21	28	7
13	Q13	8	11
14			
15	P06	7	17
16	Q21	23	9
17	R19	2	5
18	R29	10	13
19			
20			
21	Q33	7	19
22			
23	R29	11	13
24			
25	Q32	22	17
26			
27	R36	6	19
28	R29	1	13
	JACK	PIN	LG

63019700 Rev. H

DIVIDE
X_k FEEDER REG., 3X_k ADDER

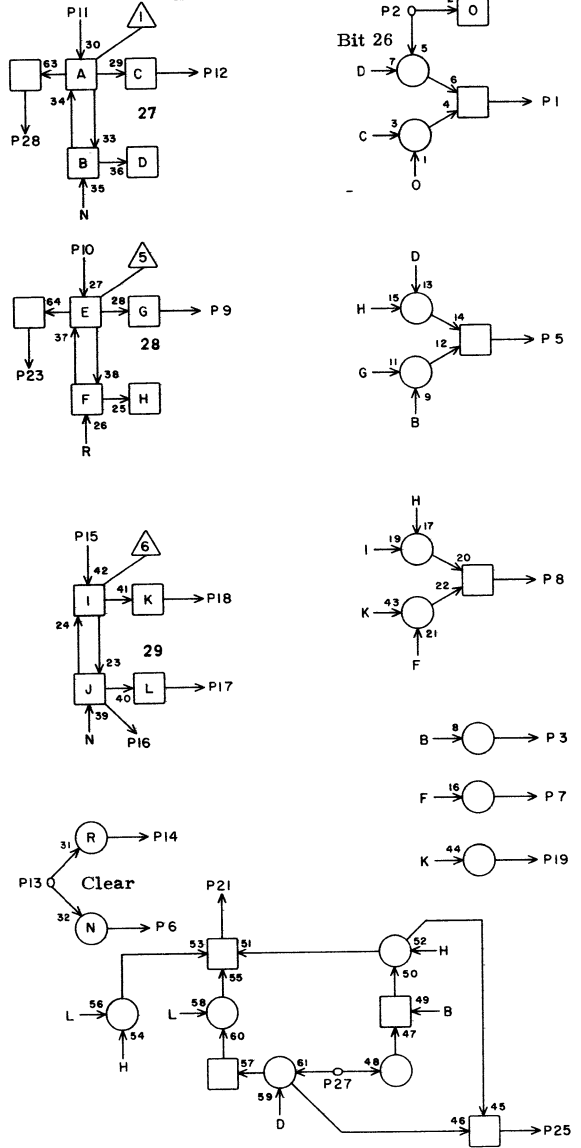


MA **2R19**

1	Q33	8	17
2	R18	17	5
3			
4			
5	Q33	9	17
6			
7			
8	Q33	21	17
9	Q22	2	9
10	P07	3	17
11	P07	1	19
12	Q22	1	9
13	Q13	9	11
14			
15	P07	5	17
16	Q22	3	9
17	R20	2	5
18	R29	21	13
19			
20			
21	Q34	7	19
22			
23	R29	24	13
24			
25	Q33	22	17
26			
27	R36	12	19
28	R29	15	13

JACK PIN LG

DIVIDE
X_k FEEDER REG., 3X_k ADDER



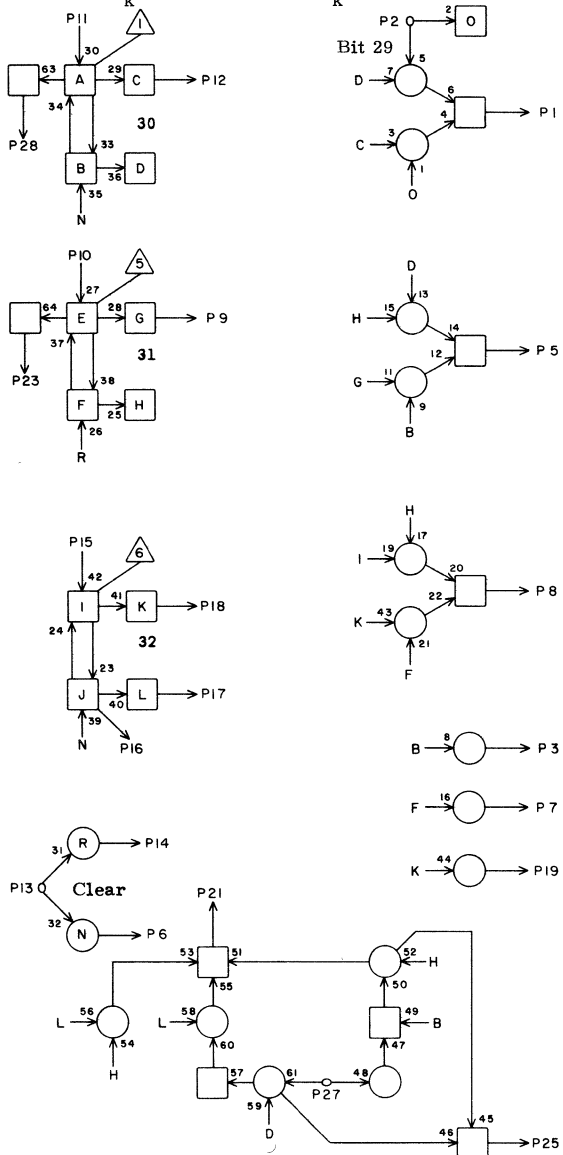
MA **2R20**

1	Q34	8	17
2	R19	17	5
3			
4			
5	Q34	9	17
6			
7			
8	Q34	21	17
9	Q22	27	7
10	P08	1	17
11	P07	7	17
12	Q22	5	9
13	Q13	10	11
14			
15	P08	3	17
16	Q22	28	7
17	R21	2	5
18	R30	5	11
19			
20			
21	Q35	7	19
22			
23	R30	3	11
24			
25	Q34	22	17
26			
27	P37	15	21
28	R29	25	11

JACK PIN LG

DIVIDE

X_k FEEDER REG., $3X_k$ ADDER



MA **2R21**

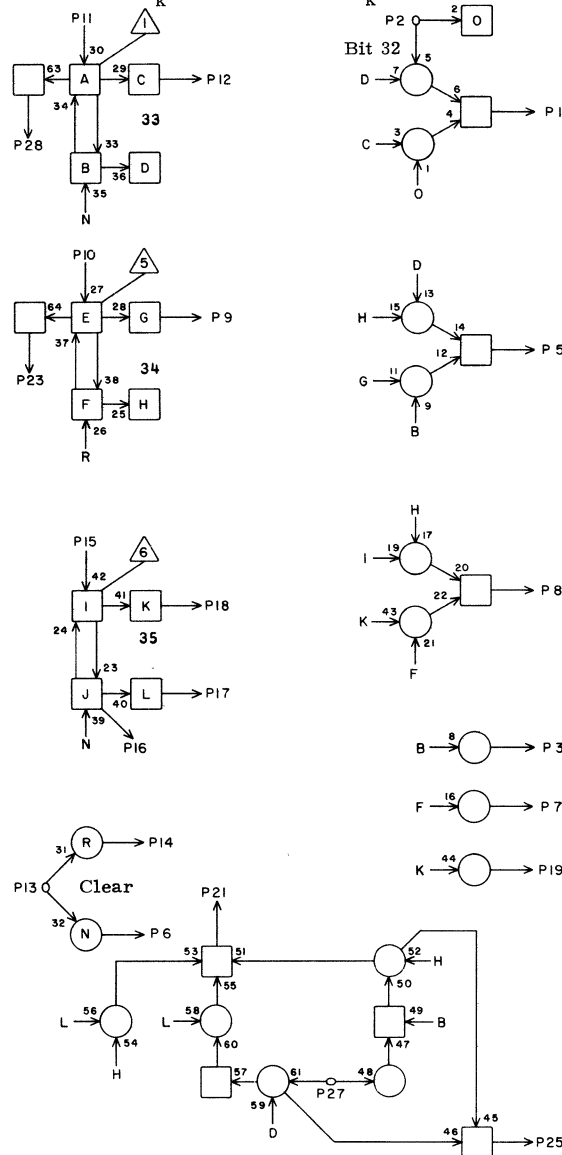
1	Q35	8	17
2	R20	17	5
3			
4			
5	Q35	9	17
6			
7			
8	Q35	21	17
9	Q22	23	5
10	P08	7	17
11	P08	5	17
12	Q22	25	5
13	Q13	11	13
14			
15	P09	1	17
16	Q23	1	7
17	R22	2	5
18	R30	10	11
19			
20			
21	Q36	7	19
22			
23	R30	11	11
24			
25	Q35	22	17
26			
27	R36	24	17
28	R30	1	11

JACK PIN LG

63019700 Rev. H

DIVIDE

X_k FEEDER REG., $3X_k$ ADDER



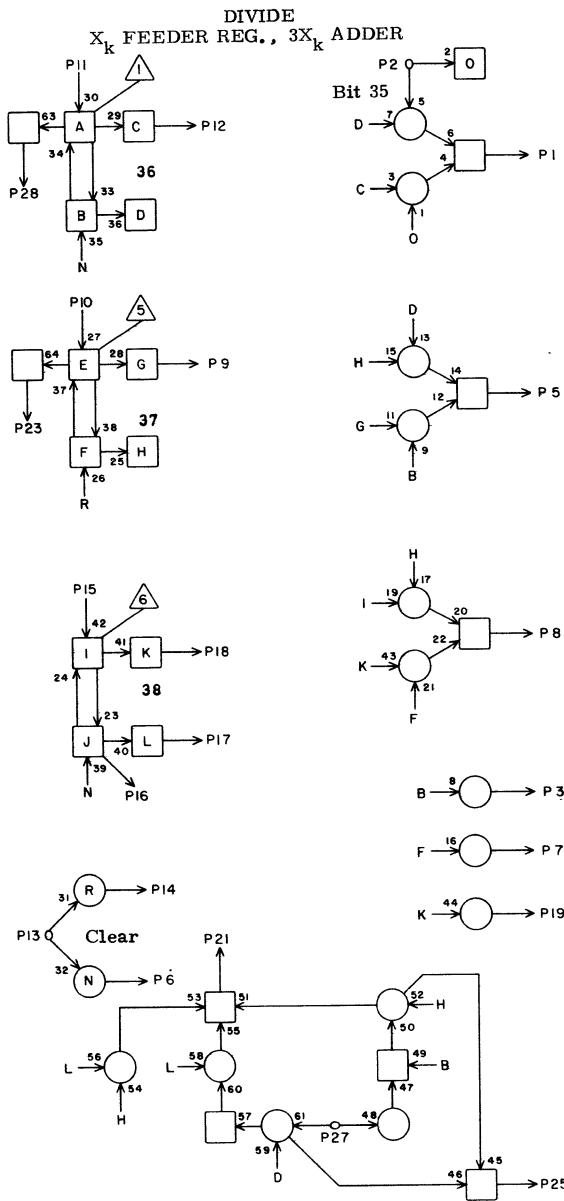
MA **2R22**

1	Q36	8	17
2	R21	17	5
3			
4			
5	Q36	9	17
6			
7			
8	Q36	21	17
9	Q23	3	9
10	P09	5	17
11	P09	3	17
12	Q23	2	9
13	Q13	13	13
14			
15	P09	7	19
16	Q23	5	9
17	R23	2	5
18	R30	21	11
19			
20			
21	Q37	7	19
22			
23	R30	24	11
24			
25	Q36	22	17
26			
27	R36	18	17
28	R30	15	11

JACK PIN LG

63019700 Rev. H

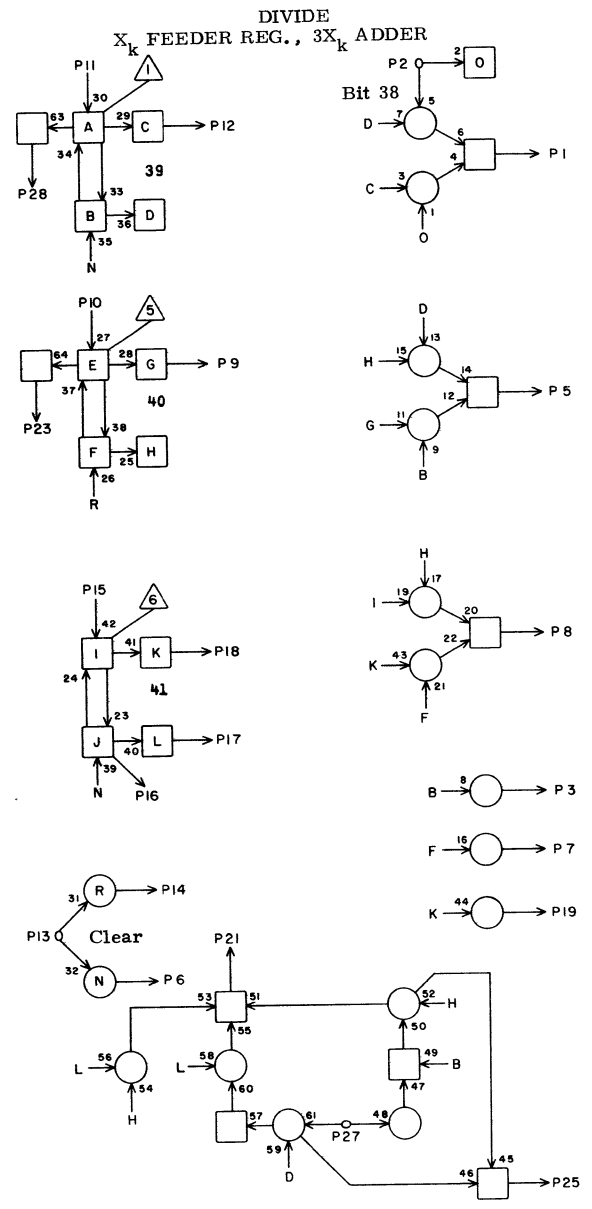
2R22



MA 2R23

1	Q37	8	17
2	R22	17	5
3			
4			
5	Q37	9	17
6			
7			
8	Q37	21	17
9	Q23	28	5
10	P10	3	17
11	P10	1	17
12	Q23	27	5
13	Q13	15	13
14			
15	P10	5	19
16	Q23	25	5
17	R24	2	5
18	R31	5	11
19			
20			
21	Q38	7	19
22			
23	R31	3	9
24			
25	Q37	22	17
26			
27	P38	22	19
28	R30	25	9
	JACK	PIN	LG

63019700 Rev. H

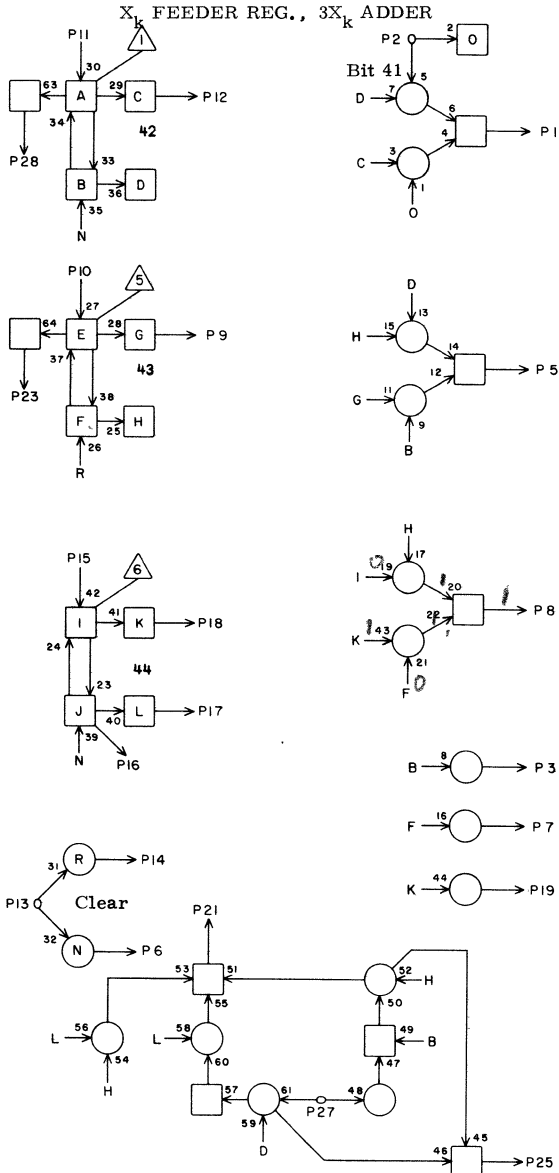


MA 2R24

1	Q38	8	17
2	R23	17	5
3			
4			
5	Q38	9	17
6			
7			
8	Q38	21	17
9	Q24	1	7
10	M06	1	29
11	P10	7	19
12	Q23	23	5
13	Q13	17	13
14			
15	M06	3	29
16	Q24	2	7
17	R25	2	5
18	R31	10	11
19			
20			
21	Q39	7	19
22			
23	R31	11	11
24			
25	Q38	22	17
26			
27	R37	6	15
28	R31	1	11
	JACK	PIN	LG

63019700 Rev. H

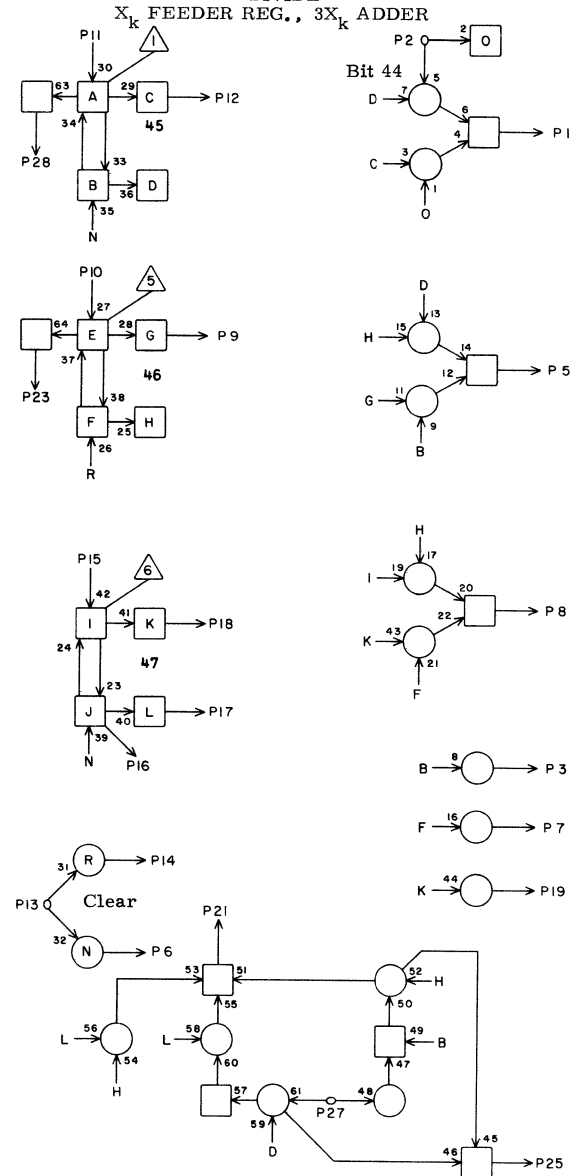
DIVIDE
X_k FEEDER REG., 3X_k ADDER



MA			
2R25			
1	Q39	8	17
2	R24	17	5
3			
4			
5	Q39	9	17
6			
7			
8	Q39	21	17
9	Q24	5	7
10	M06	7	29
11	M06	5	29
12	Q24	3	7
13	Q13	18	15
14			
15	M07	1	29
16	Q24	27	7
17	R26	2	5
18	R31	21	9
19			
20			
21	Q40	7	19
22			
23	R31	24	9
24			
25	Q39	22	17
26			
27	R37	12	15
28	R31	15	9
	JACK	PIN	LG

63019700 Rev. H

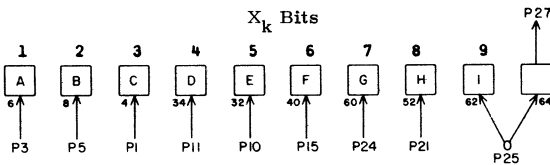
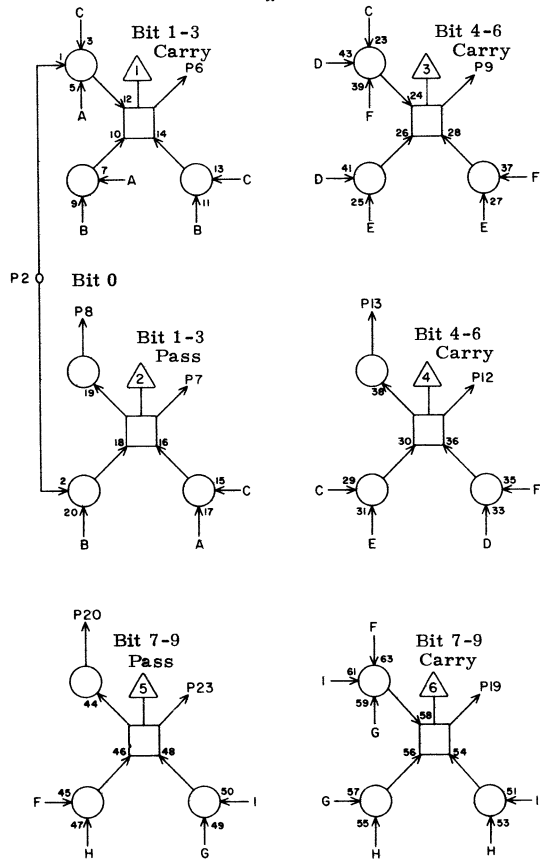
DIVIDE
X_k FEEDER REG., 3X_k ADDER



MA			
2R26			
1	Q40	8	17
2	R25	17	5
3			
4			
5	Q40	9	17
6			
7			
8	Q40	21	17
9	Q24	25	5
10	M07	5	29
11	M07	3	29
12	Q24	28	7
13	Q13	19	17
14			
15	M07	7	29
16	Q24	23	7
17			
18	R32	5	9
19	J22	21	33
20			
21	Q41	7	19
22			
23	R32	3	9
24			
25	Q40	22	17
26			
27	P38	15	17
28	R31	25	9
	JACK	PIN	LG

63019700 Rev. H

DIVIDE
GEN. 3X_k

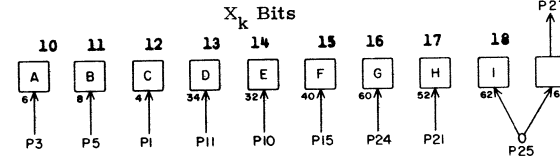
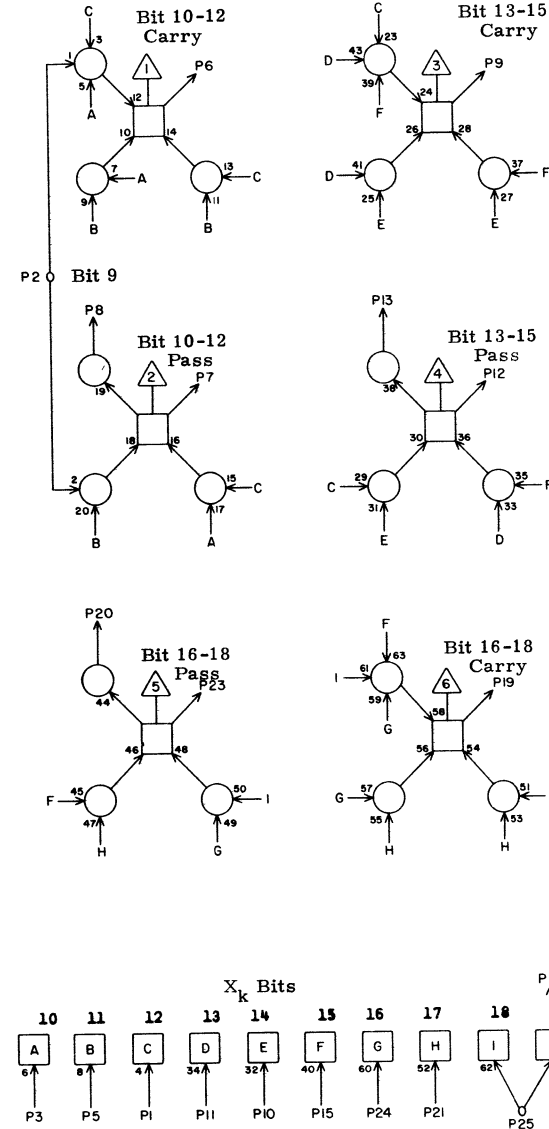


ME **2R27**

1	R12	28	17
2	R11	3	17
3	R11	23	19
4			
5	R11	18	19
6	R36	2	11
7	P36	16	13
8	P31	21	13
9	R35	1	11
10	R12	18	17
11	R12	23	17
12	R35	4	11
13	P31	27	11
14			
15	R13	28	17
16			
17			
18			
19	R35	8	11
20	P31	25	11
21	R13	18	17
22			
23	R35	3	11
24	R13	23	17
25	R14	28	17
26			
27	R28	2	5
28			

63019700 Rev. H

DIVIDE
GEN. 3X_k

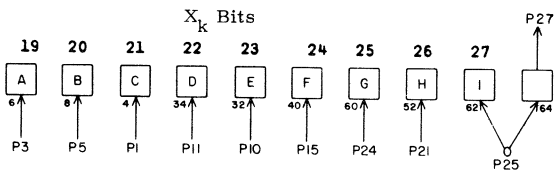
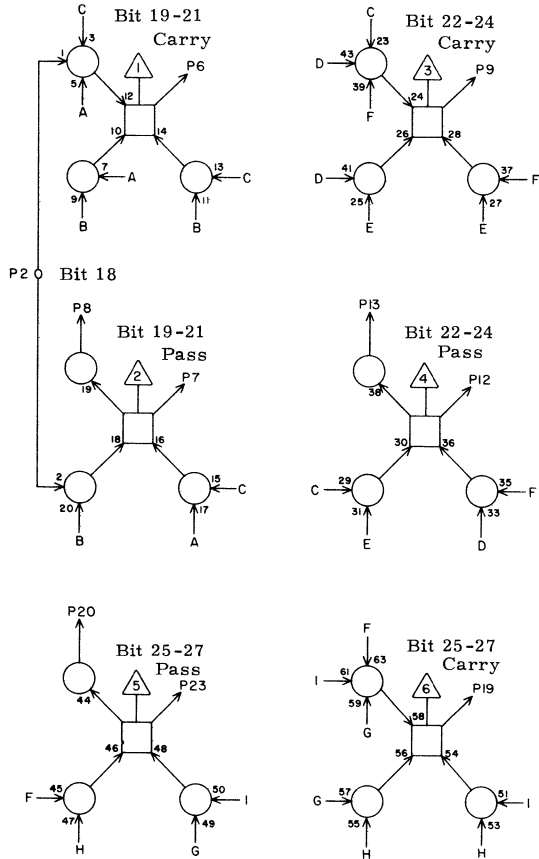


ME **2R28**

1	R15	28	17
2	R27	27	5
3	R14	23	17
4			
5	R14	18	17
6	R35	27	11
7	P36	7	15
8	P31	23	11
9	R35	28	11
10	R15	18	17
11	R15	23	17
12	R35	25	11
13	P31	17	11
14			
15	R16	28	15
16			
17			
18			
19	R35	23	11
20	P31	19	13
21	R16	18	15
22			
23	R35	26	9
24	R16	23	15
25	R17	28	13
26			
27	R29	2	5
28			

63019700 Rev. H

DIVIDE
GEN. 3X_k



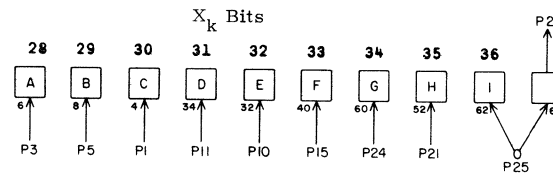
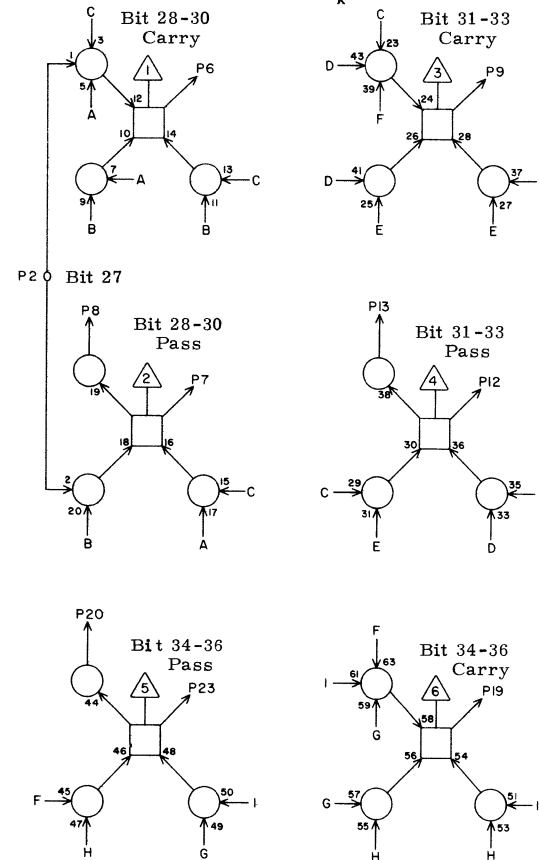
ME **2R29**

1	R18	28	13
2	R28	27	5
3	R17	23	13
4			
5	R17	18	13
6	R36	2	11
7	P37	16	15
8	P31	7	11
9	R36	1	11
10	R18	18	13
11	R18	23	13
12	R36	4	11
13	P31	8	13
14			
15	R19	28	13
16			
17			
18			
19	R36	8	11
20	P31	5	11
21	R19	18	13
22			
23	R36	3	11
24	R19	23	13
25	R20	28	11
26			
27	R30	2	5
28			

JACK PIN LG

63019700 Rev. H

DIVIDE
GEN. 3X_k



ME **2R30**

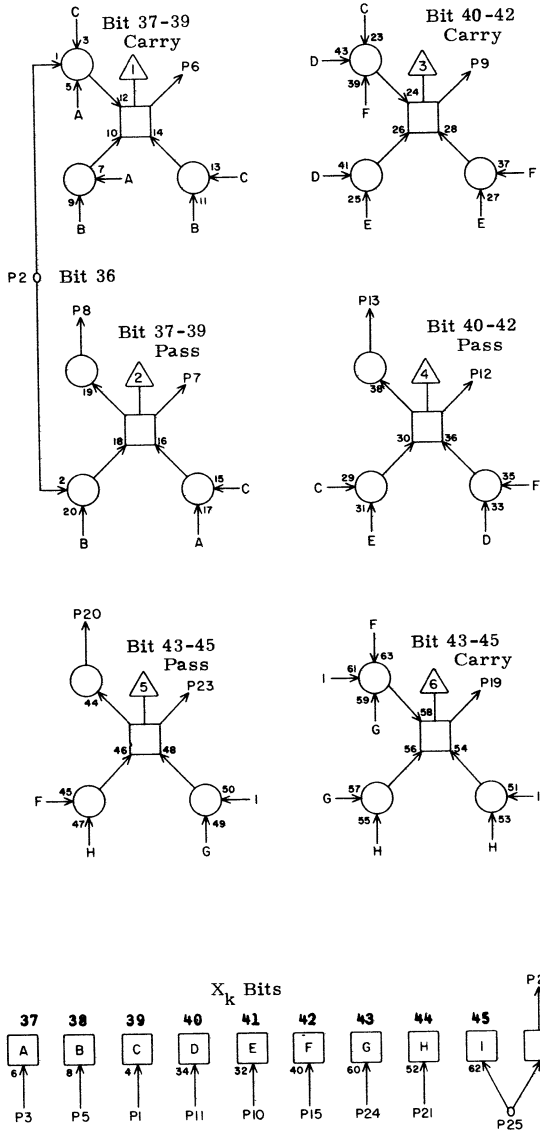
1	R21	28	11
2	R29	27	5
3	R20	23	11
4			
5	R20	18	11
6	R36	27	11
7	P37	7	15
8	P32	21	11
9	R36	28	9
10	R21	18	11
11	R21	23	11
12	R36	25	9
13	P32	27	11
14			
15	R22	28	11
16			
17			
18			
19	R36	23	9
20	P32	25	11
21	R22	18	11
22			
23	R36	26	9
24	R22	23	11
25	R23	28	11
26			
27	R31	2	5
28			

JACK PIN LG

63019700 Rev. H

2R30

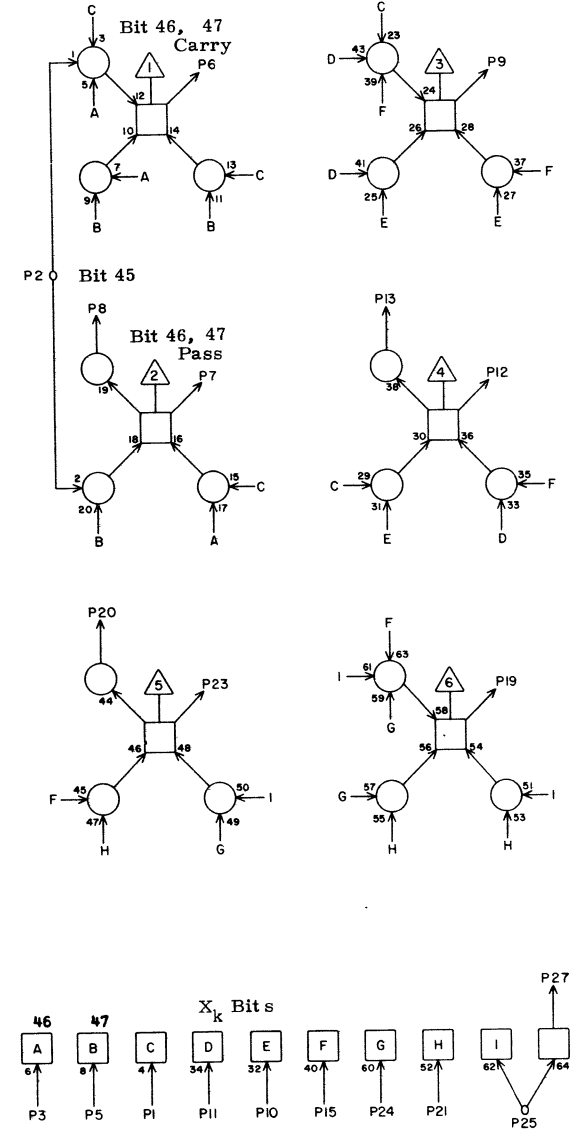
DIVIDE
GEN. 3X_k



ME **2R31**

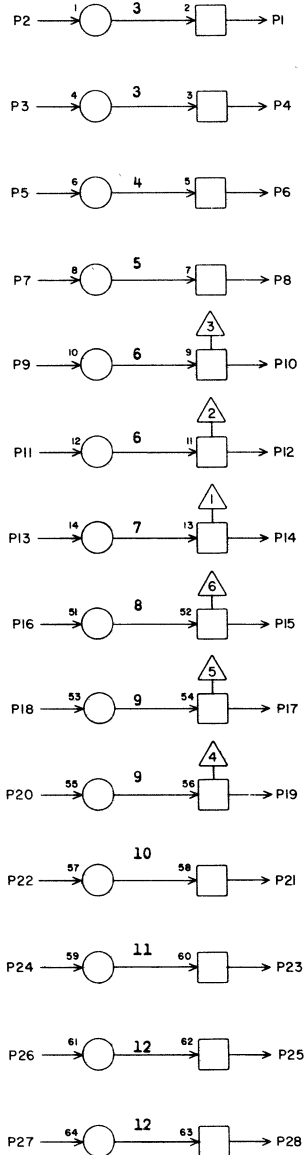
1	R24	28	11
2	R30	27	5
3	R23	23	9
4			
5	R23	18	11
6	R37	2	9
7	P38	16	13
8	P32	23	11
9	R37	1	9
10	R24	18	11
11	R24	23	11
12	R37	4	9
13	P32	17	11
14			
15	R25	28	9
16			
17			
18			
19	R37	8	9
20	P32	19	11
21	R25	18	9
22			
23	R37	3	9
24	R25	23	9
25	R26	28	9
26			
27	R32	2	5
28			
	JACK	PIN	LG

DIVIDE
GEN. 3X_k



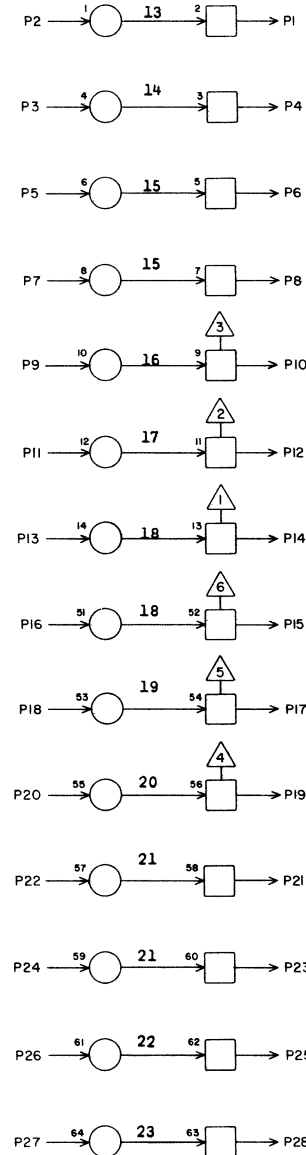
ME **2R32**

1			
2	R31	27	5
3	R26	23	9
4			
5	R26	18	9
6	R37	27	9
7	P38	7	13
8	P32	7	11
9			
10			
11			
12			
13			
14			
15			
16			
17			
18			
19			
20			
21			
22			
23			
24			
25			
26			
27			
28			
	JACK	PIN	LG



DIVIDE
TO $X_j - 3X_k$

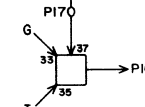
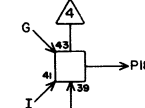
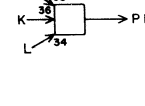
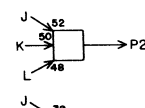
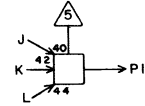
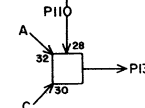
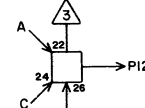
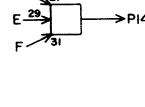
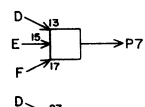
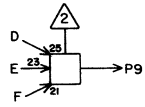
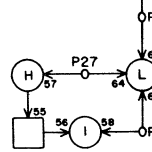
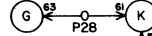
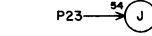
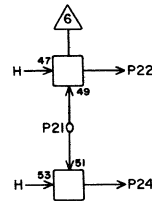
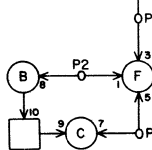
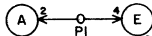
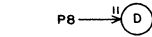
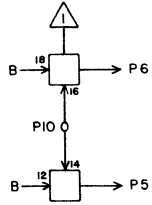
GI		2R33	
JACK	PIN	LG	
1	L13	17	33
2	M13	9	31
3	M13	7	31
4	L13	10	33
5	M13	11	31
6	L13	8	33
7	M13	14	31
8	L13	22	33
9	M14	9	31
10	L14	17	31
11	M14	7	31
12	L14	10	31
13	M14	11	31
14	L14	8	31
15	L14	22	31
16	M14	14	31
17	L15	17	31
18	M15	9	31
19	L15	10	31
20	M15	7	31
21	L15	8	31
22	M15	11	31
23	L15	22	31
24	M15	14	31
25	L16	17	31
26	M16	9	31
27	M16	7	31
28	L16	10	31



DIVIDE
TO $X_j - 3X_k$

GI		2R34	
JACK	PIN	LG	
1	L16	8	31
2	M16	11	29
3	M16	14	29
4	L16	22	33
5	M17	9	29
6	L17	17	31
7	M17	7	29
8	L17	10	31
9	M17	11	29
10	L17	8	31
11	M17	14	29
12	L17	22	31
13	M18	9	29
14	L18	17	31
15	L18	10	31
16	M18	7	29
17	L18	8	31
18	M18	11	29
19	L18	22	31
20	M18	14	29
21	L19	17	33
22	M19	9	29
23	L19	10	33
24	M19	7	29
25	L19	8	33
26	M19	11	29
27	M19	14	29
28	L19	22	33

DIVIDE
GEN. 3X_k



MH

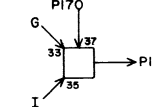
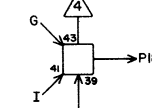
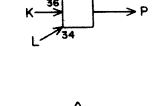
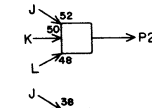
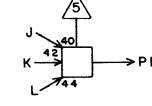
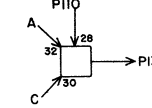
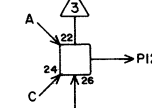
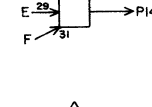
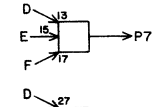
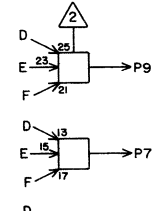
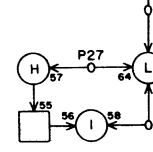
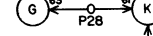
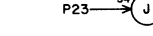
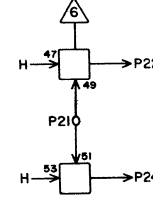
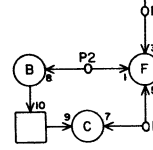
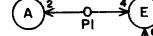
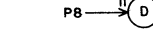
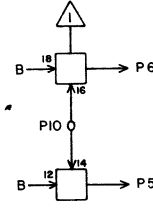
2R35

1	R27	9	11
2	R27	6	11
3	R27	23	11
4	R27	12	11
5	Q26	10	13
6	R12	27	25
7	P36	11	13
8	R27	19	11
9	P37	8	13
10	P36	26	11
11	P36	28	11
12	R13	27	29
13	Q27	10	13
14	P38	10	13
15	P38	9	13
16	Q30	10	11
17	P36	1	13
18	R16	27	24
19	P37	17	13
20	P36	6	13
21	P36	14	13
22	Q29	10	11
23	R28	19	11
24	R15	27	21
25	R28	12	11
26	R28	23	9
27	R28	6	11
28	R28	9	11

JACK PIN LG

63019700 Rev.H

DIVIDE
GEN. 3X_k



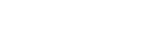
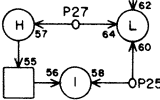
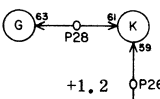
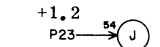
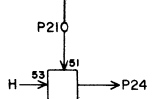
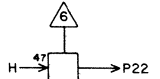
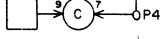
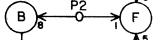
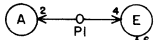
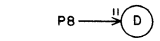
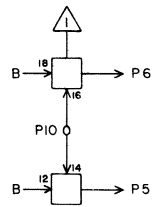
MH

2R36

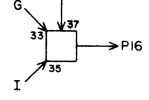
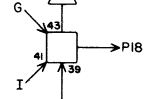
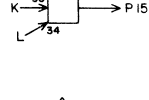
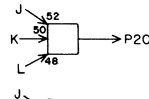
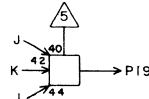
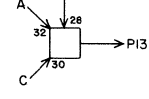
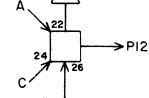
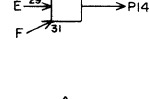
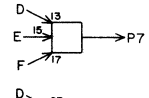
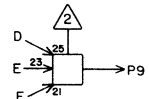
1	R29	9	11
2	R29	6	11
3	R29	23	11
4	R29	12	11
5	Q32	10	9
6	R18	27	19
7	P36	10	13
8	R29	19	11
9	P37	11	13
10	P37	26	11
11	P37	28	11
12	R19	27	19
13	Q33	10	9
14	P38	9	13
15	P38	17	13
16	Q36	10	9
17	P37	1	13
18	R22	27	17
19	P37	6	13
20	P36	9	13
21	P37	14	13
22	Q35	10	9
23	R30	19	9
24	R21	27	17
25	R30	12	9
26	R30	23	9
27	R30	6	11
28	R30	9	9

JACK PIN LG

63019700 Rev.H



DIVIDE
GEN. 3X_k



MH

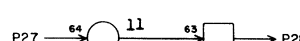
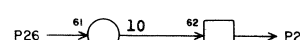
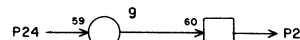
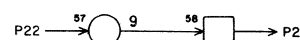
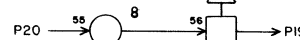
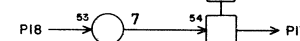
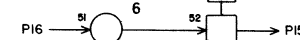
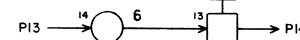
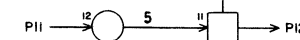
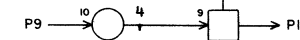
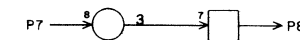
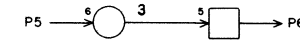
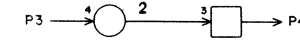
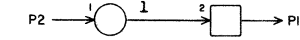
2R37

1	R31	9	9
2	R31	6	9
3	R31	23	9
4	R31	12	9
5	Q38	10	7
6	R24	27	15
7	P36	8	13
8	R31	19	9
9	P37	10	13
10	P38	26	11
11	P38	28	11
12	R25	27	15
13	Q39	10	9
14	P38	11	13
15	P38	6	13
16			
17			
18			
19	P37	9	13
20	P36	17	11
21	P38	14	13
22	Q41	10	11
23	Q14	2	25
24			
25			
26	Q14	3	25
27	R32	6	9
28			

JACK PIN LG

63019700 Rev. H

DIVIDE
TO X_j - 2X_k



GI

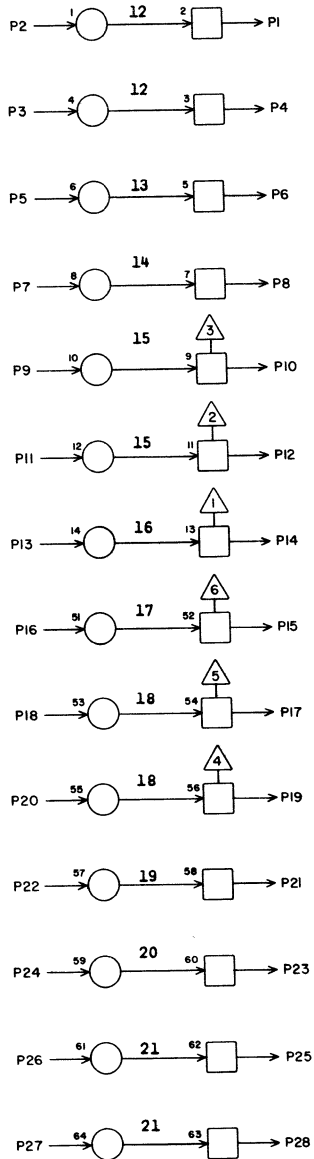
2R38

1	L20	8	31
2	M20	11	29
3	M20	14	29
4	L20	22	31
5	M21	7	29
6	L21	10	31
7	M21	9	29
8	L21	17	31
9	M21	11	29
10	L21	8	31
11	M21	14	29
12	L21	22	31
13	M22	9	29
14	L22	17	33
15	L22	10	33
16	M22	7	29
17	L22	8	33
18	M22	11	29
19	L22	22	33
20	M22	14	29
21	L23	17	33
22	M23	9	29
23	L23	10	33
24	M23	7	29
25	L23	8	33
26	M23	11	29
27	M23	14	29
28	L23	22	33

JACK PIN LG

63019700 Rev. H

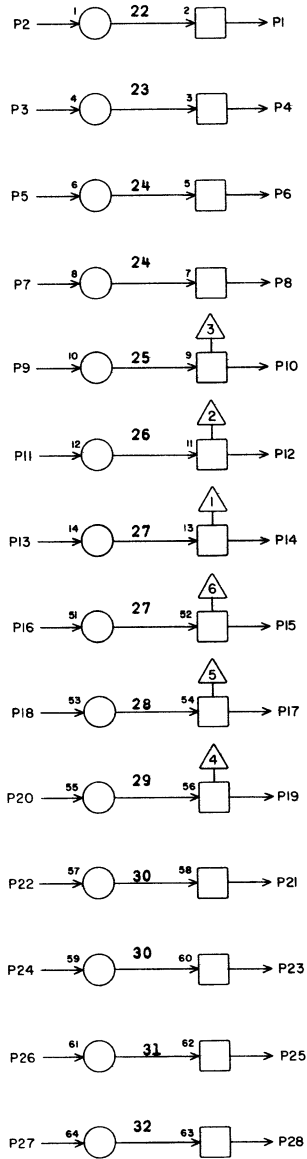
2R38



DIVIDE
TO $X_j - 2X_k$

GI		2R39	
JACK	PIN	LG	
1	L24	17	31
2	M24	9	27
3	M24	7	27
4	L24	10	31
5	M24	11	27
6	L24	8	31
7	M24	14	27
8	L24	22	31
9	M25	9	29
10	L25	17	31
11	M25	7	29
12	L25	10	31
13	M25	11	29
14	L25	8	31
15	L25	22	31
16	M25	14	29
17	L26	17	31
18	M26	9	29
19	L26	10	31
20	M26	7	29
21	L26	8	31
22	M26	11	29
23	L26	22	31
24	M26	14	29
25	L27	17	31
26	M27	9	29
27	M27	7	29
28	L27	10	31

63019700 Rev. H

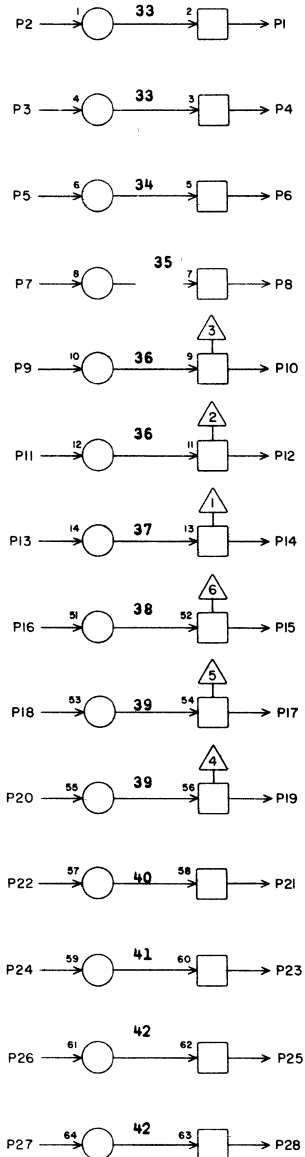


DIVIDE
TO $X_j - 2X_k$

GI		2R40	
JACK	PIN	LG	
1	L27	8	31
2	M27	11	27
3	M27	14	27
4	L27	22	29
5	O20	9	27
6	N20	17	27
7	O20	7	27
8	N20	10	27
9	O20	11	27
10	N20	8	27
11	O20	14	27
12	N20	22	27
13	O21	9	25
14	N21	17	27
15	N21	10	27
16	O21	7	25
17	N21	8	27
18	O21	11	25
19	N21	22	27
20	O21	14	25
21	N22	17	27
22	O22	9	25
23	N22	10	27
24	O22	7	25
25	N22	8	27
26	O22	11	25
27	O22	14	25
28	N22	22	27

63019700 Rev. H

DIVIDE
TO $X_j - 2X_k$

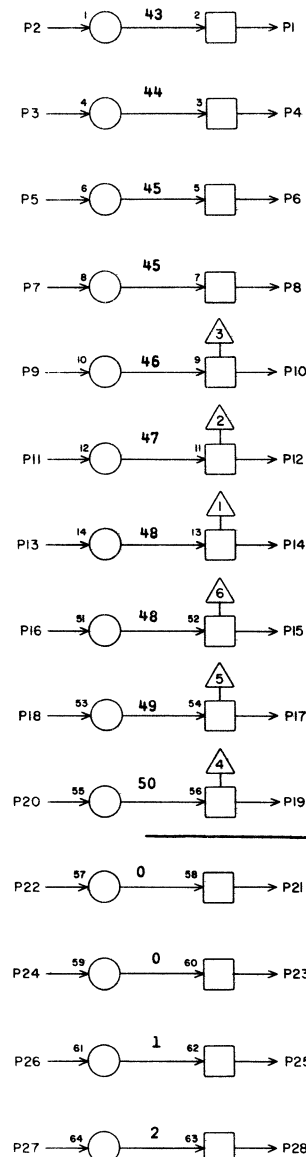


GI		2R41	
1	N23	17	27
2	O23	9	25
3	O23	7	25
4	N23	10	27
5	O23	11	25
6	N23	8	27
7	O23	14	25
8	N23	22	27
9	O24	9	23
10	N24	17	27
11	O24	7	23
12	N24	10	27
13	O24	11	23
14	N24	8	27
15	N24	22	27
16	O24	14	23
17	N25	17	27
18	O25	9	23
19	N25	10	27
20	O25	7	23
21	N25	8	27
22	O25	11	23
23	N25	22	23
24	O25	14	23
25	N26	17	25
26	O26	9	23
27	O26	7	23
28	N26	10	25

JACK PIN LG

63019700 Rev. H

DIVIDE
TO $X_j - 2X_k$



GI		2R42	
1	N26	8	25
2	O26	11	23
3	O26	14	23
4	N26	22	25
5	O27	9	23
6	N27	17	25
7	O27	7	23
8	N27	10	25
9	O27	11	23
10	N27	8	25
11	O27	14	23
12	N27	22	25
13	N36	9	23
14	N37	17	23
15	N37	10	23
16	N36	7	23
17	N37	8	23
18	N36	11	23
19	N37	22	23
20	N36	14	23
21	L12	17	39
22	M12	9	37
23	L12	10	39
24	M12	7	37
25	L12	8	39
26	M12	11	37
27	M12	14	37
28	L12	22	39

JACK PIN LG

63019700 Rev. H

2R42

TO A-3X

COMMENT SHEET

MANUAL TITLE CONTROL DATA 6600 COMPUTER SYSTEM

Chassis 2 Customer Engineering Manual

PUBLICATION NO. 63019700 REVISION _____

FROM: NAME: _____
BUSINESS ADDRESS: _____

COMMENTS:

This form is not intended to be used as an order blank. Your evaluation of this manual will be welcomed by Control Data Corporation. Any errors, suggested additions or deletions, or general comments may be made below. Please include page number references and fill in publication revision level as shown by the last entry on the Record of Revision page at the front of the manual. Customer engineers are urged to use the TAR.

CUT ALONG LINE

FORM CA231 REV. 1-67

NO POSTAGE STAMP NECESSARY IF MAILED IN U. S. A.

FOLD ON DOTTED LINES AND STAPLE

STAPLE

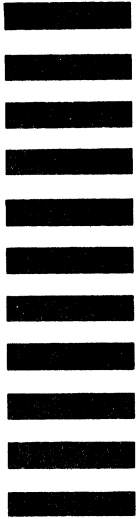
STAPLE

FOLD

FOLD

FIRST CLASS
PERMIT NO. 8241
MINNEAPOLIS, MINN.

BUSINESS REPLY MAIL
NO POSTAGE STAMP NECESSARY IF MAILED IN U.S.A.



CUT ALONG LINE

POSTAGE WILL BE PAID BY
CONTROL DATA CORPORATION
8100 34TH AVENUE SOUTH
MINNEAPOLIS, MINNESOTA 55440

ATTN: TECHNICAL PUBLICATIONS DEPT.
PLANT TWO

FOLD

FOLD