

CONTROL DATA® 6600 COMPUTER SYSTEM

6601 A-J, 6604-A/B/C
6613-A/B/C, 6614-A/B/C

Chassis 8

**CARD PLACEMENT
WIRE LISTS
CHASSIS TABS**

RECORD of REVISIONS

REVISION	NOTES
A (4-12-65)	This printing obsoletes all previous editions.
B	Change Order 9850 which did not advanced the Product Designation.
C	Change Order 11310, new Product Designations 6601-A02, 6601-B02, 6601-C02, 6601-D02, 6601-E02, 6601-F02, 6601-H02, 6604-A02 and 6604-B02.
D	Change Order 11467, new Product Designations 6601-A03, 6601-B03, 6601-C03, 6601-D03, 6601-E03, 6601-F03, 6601-H03, 6604-A03 and 6604-B03.
E (12-27-65)	Publication Change Order 12206 incorporates the modification of wire lengths to conform with production specifications, the correction of typographical wiring errors, and the addition of signal annotation for purposes of clarity. This edition obsoletes all previous editions.
F (4-5-66)	Publication Change Order 13112 which did not advance the Product Designation. Pages B02, B08, B37, C30, C39, C41, D02, D11, D14, D40, E10, E18, E21, E37, E42, F21, F42, H32, I42, J30, M05, N09, N39, P03, P07 and R39 revised.
G (5-3-66)	Field Change Order 13113 which was voided by Field Change Order 13423.
H (5-3-66)	Field Change Order 13423, new Product Designation 6601-A20, 6601-B20, 6601-C20, 6601-D20, 6601-E20, 6601-F20, 6601-H28, 6604-A30, 6604-B21 and 6605-A09. Page G-33 and J23 revised.
J (6-20-66)	Field Change Order 13512, new Product Designation 6601-A24, 6601-B25, 6601-C25, 6601-D25, 6601-E25, 6601-F25, 6601-H34, 6604-A36, 6604-B26, and 6605-A15. Pages A24, C19, C25, D17, D20, D21, E20, F20, F26, G18, H09, H10, J02, K20, K29, L40, N27, N29, O30, O31, O32, P28 and R32 revised.
K (6-20-66)	Publications Change Order 13935 which did not affect the Product Designation. Pages B14, F14, I24, K19, M29, O16 and Q27 revised.
L (10-28-66)	Field Change Order 14136 which advanced the Product Designation to 6601-A28, 6601-B29, 6601-C29, 6601-D29, 6601-E29, 6601-F29, 6601-H44, 6604-A44, 6604-B30, 6613-A04 and 6614-A04. Pages B21, H26 and J18 revised.
M (10-28-66)	Change Order 14087 which did not affect the Product Designation. Pages I21 and I22 revised.
N (10-28-66)	Field Change Order 14202 which advanced the Product Designation to 6601-A38, 6601-B39, 6601-C39, 6601-D39, 6601-E39, 6601-F39, 6601-H58, 6604-A56, 6604-B40, 6613-A17 and 6614-A16. Pages A24, A26, B21, E01, F05, G09, G11, G12, G18, H08, H10, H21, H24, H26, I16, I17, I19, I23, I25, I26, J18, J23, J24, K18, M09 and M20 revised.
P (10-28-66)	Change Order 14792 which did not affect the Product Designation. Pages B11, B34, C41, F21, G17, H09, H20, J12, J13, K11, K39, K40, M29, N08, N29, O32, P32, P39, P40, Q11, Q12 and Q20 revised.
R (10-28-66)	Publications Change Order 14935 which did not affect the Product Designation. Cover and title page revised.
S (5-29-67)	Field Change Order 15191, which advanced the Product Designation to 6601-A44, 6601-B45, 6601-C45, 6601-D45, 6601-E45, 6601-F45, 6601-H71, 6601-J11, 6604-A67, 6604-B46, 6604-C10, 6613-A30, 6613-B11, 6614-A27 and 6614-B10. Pages C19, C25, G01, G11, G16, H10, H23, H25, I19, I21, J18, K27, L30, N09, N27 and O32 revised.

FORM CA230 REV. 1-67

Address comments concerning this manual to:

Control Data Corporation
 Technical Publications Department
 4201 North Lexington Avenue
 St. Paul, Minnesota 55112

or use Comment Sheet in the back of this manual.

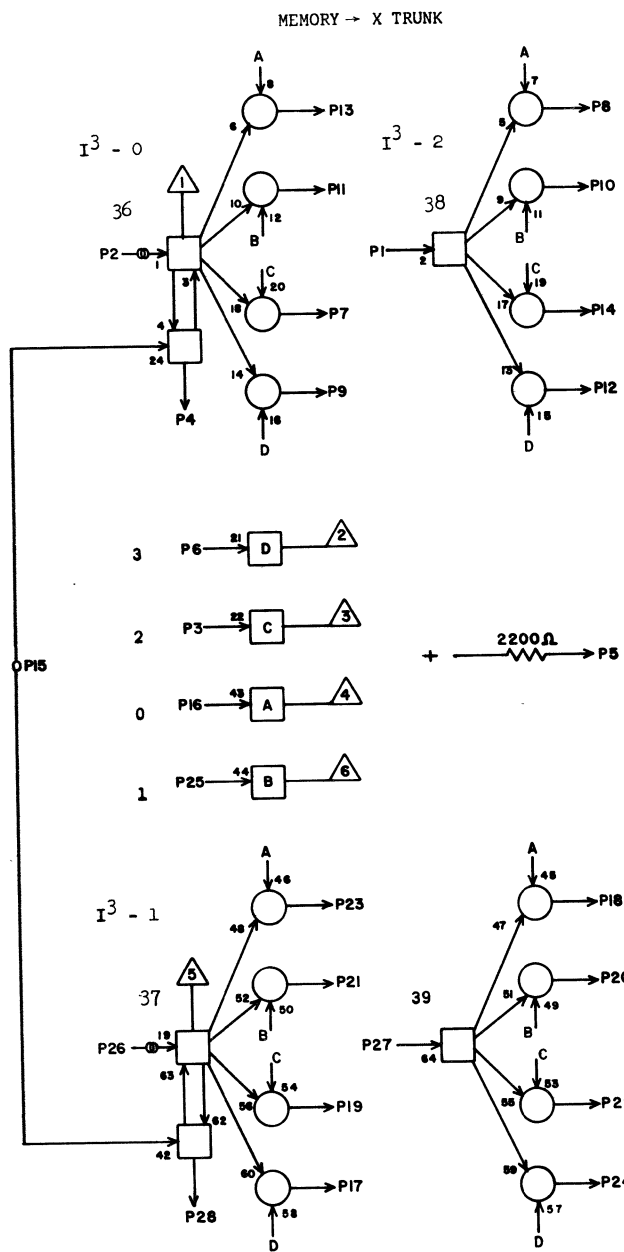
RECORD of REVISIONS (CONT'D)

REVISION	NOTES
T (5-29-67)	Field Change Order 15829, which advanced the Product Designation to 6601-A47, 6601-B48, 6601-C48, 6601-D48, 6601-E48, 6601-F48, 6601-H76, 6601-J16, 6604-A73, 6604-B50, 6604-C16, 6613-A35, 6613-B16, 6613-C05, 6614-A33, 6614-B16 and 6614-C06. Pages A22, A23, A26, C20, C26, D20, G11, G16, G18, H06, H09, H20, H24, I19, M19, N30, N37, N38, N39, O22, O25, O28 and O37 revised. Card Placement; replaced NG modules with NK modules at locations N30, O22, O25 and O28.
U (5-29-67)	Publication Change Order 16550, which did not advance the Product Designation. Cover, title page and comment sheet revised.
V (1-10-68)	Change Order 17250. No Product Designation change. Correct wiring errors. The following pages revised: M17 and P28.
W (1-10-68)	Field Change Order 17251, which advanced the Product Designation to 6601-H85, 6601-J26, 6604-A83, 6604-C27, 6613-A44, 6613-B26, 6613-C13, 6614-A43, 6614-B27 and 6614-C14. The following pages revised: H06 and I21.
Y (4-10-68)	Field Change Order 17346. Product Designation advanced to 6601-A56, 6601-B57, 6601-C57, 6601-D57, 6601-E57, 6601-F57, 6601-H86, 6601-J27, 6604-A84, 6604-B60, 6604-C28, 6613-A45, 6613-B27, 6613-C14, 6614-A44, 6614-B28, and 6614-C15. See Field Change Order 18099.
Z (4-10-68)	Field Change Order 18099. Product Designation advanced to 6601-A59, 6601-B60, 6601-C60, 6601-D60, 6601-E60, 6601-F60, 6601-H90, 6601-J30, 6604-A88, 6604-B63, 6604-C31, 6613-A49, 6613-B30, 6613-C17, 6614-A48, 6614-B31, and 6614-C18. This Change Order replaces F, C, O, 17346 for field installation and deletes this manual from FCO 17346.
AA (4-10-68)	Field Change Order 18167. Product Designation advanced to 6601-A61, 6601-B62, 6601-C62, 6601-D62, 6601-E62, 6601-F62, 6601-H91, 6601-J31, 6604-A89, 6604-B65, 6604-C32, 6613-A50, 6613-B31, 6613-C18, 6614-A49, 6614-B32, and 6614-C19. The following pages revised: A23, C23, F22, F28, I23, L40, O25, and O28.
AB (4-10-68)	Field Change Order 18568. Product Designation advanced to 6601-A62, 6601-B63, 6601-C63, 6601-D63, 6601-E63, 6601-F63, 6601-H92, 6601-J32, 6604-A90, 6604-B66, 6604-C33, 6613-A51, 6613-B32, 6613-C19, 6614-A50, 6614-B33, and 6614-C20. The following pages revised: Card Placement (Rev H), B26, C18, C19, D17, E20, E21, E23, F13, F20, F25, G01, G18, H09, H16, H22, I21, I23, I25, J19, J20, K19, L29, L42, M18, O30, O32, Q26, and Q33. Page K42 new.
AC (10-23-68)	Manual revised; includes Engineering Change Order 20812, publication change only. Cover, Title Page revised. Page F22, G31, H06, L30 and O28 revised.
AD (2-21-69)	Manual revised; includes Engineering Change Order 21709, publication change only. Incorporates revised version of Field Change Order 18167, equipment level 6601-A61, 6601-B62, 6601-C62, 6601-D62, 6601-E62, 6601-F62, 6601-H91, 6601-J31, 6604-A89, 6604-B65 and 6604-C32. Pages A23, C20, F22, F28, G18, H21, H26, L40, N30, Ø22, Ø25 and Ø28 revised.

	1	2	3	4	5	6	7	8	9	10	11	12	13	14	15	16	17	18	19	20	21	22	23	24	25	26	27	28	29	30	31	32	33	34	35	36	37	38	39	40	41	42									
A	RA ¹	I ³ 2 ³⁶ -2 ⁵¹			RG ¹ MEMORY OUT 2 ³⁶ -2 ⁴⁷		HF ¹	RC ¹ 2 ²⁰ -2 ²³		RE ¹	D ¹ 2 ³⁶ -2 ⁵⁹		D ² 2 ³⁶ -2 ⁵⁹	D ³ 2 ³⁶ -2 ⁴⁷	RL																																				
B	I ³ 2 ⁵² -2 ⁵⁹	I ² 2 ³⁶ -2 ⁴³		MEMORY OUT 2 ⁴⁸ -2 ⁵⁹			INC ¹ 2 ²⁴ -2 ²⁵		D ³ 2 ⁴⁸ -2 ⁵⁹	D ⁴ 2 ³⁶ -2 ⁵⁹	D ⁵ 2 ³⁶ -2 ⁵⁹	ENTRY CONTROL																																							
C	I ² 2 ⁴⁴ -2 ⁵⁹		X _k → MULT. 2 ³⁶ -2 ⁴⁷				KG ¹ (MEM) 2 ²⁸ -2 ³¹		X ₀ 2 ³⁶ -2 ⁵⁹	X ₁ 2 ³⁶ -2 ⁵⁹				RO ¹		RJ ¹																																			
D	I ¹ 2 ³⁶ -2 ⁵¹		X _k → MULT. 2 ⁴⁸ -2 ⁵⁹			RN ¹		X 2 ²² -2 ²⁵		X ₁ 2 ³⁶ -2 ⁵⁹	X ₂ 2 ³⁶ -2 ⁵⁹				RQ ¹																																				
E	I ¹ 2 ⁵² -2 ⁵⁹		NG ¹	HC	HF	X _j → MULT. 2 ³⁶ -2 ⁴⁷		RP ¹ 2 ¹⁶ -2 ¹⁹		X ₄ 2 ³⁶ -2 ⁵⁹	X ₅ 2 ³⁶ -2 ⁵⁹		EXIT CONTROL																																						
F	PI ¹	IV ¹	HF	IH	X _j → MULT. 2 ⁴⁸ -2 ⁵⁹		RN ¹ 2 ²⁰ -2 ²³		X ₆ 2 ³⁶ -2 ⁵⁹	X ₇ 2 ³⁶ -2 ⁵⁹		RP ¹																																							
G	TC	RB		IV ¹	PI	TC	D → X		PI	TL	KR ¹	HC	CLEAR X ₀ -X ₇		KC ¹	NORMALIZE		TA	TI	RS																															
H	IT	MR	JQ	TD	TL	TC	RM XMIT UPPER RESULT 2 ³⁶ -2 ⁵⁹		MR	KQ	TH	TD	TH	KV	TC	FA	LONG ADD 2 ⁰ -2 ³⁸		FB BORROW AND PASS																																
I	COMP SHIFT RESULT				CA	CT	TH	KN	IP	HQ	TD	TI	TL	CA	LONG ADD 2 ³⁸ -2 ⁵⁹		FE LONG ADD RESULT 2 ⁰ -2 ¹⁴		FC	FD																															
J	KP ¹	KM ¹	KI	KA	CHASSIS INPUT REG 2 ⁰ -2 ²¹		KB	SHIFT INPUT 2 ⁰ -2 ¹⁹		TC	KS	CA	PD	CB	LONG ADD RESULT 2 ¹⁵ -2 ⁵⁹		BORROW AND PASS																																		
K	CHASSIS INPUT REG 2 ²² -2 ⁴³				SHIFT INPUT 2 ²⁰ -2 ³⁹		TD	X _k → ADD		NO	ADD INPUT REG. 2 ⁰ -2 ¹⁰		NU	NV	KWNM ¹	ADD EXPONENTS X _j , X _k		QB ¹	NONN NY																																
L	KT ¹	CHASSIS INPUT REG 2 ⁴⁴ -2 ⁵⁹		CS	SHIFT COUNT REG 2 ⁰ -2 ⁵	SHIFT INPUT 2 ⁴⁰ -2 ⁵⁹		KO ¹	MI	CA	MI	ADD INPUT REG 2 ¹¹ -2 ²²		NR	NS	NT	TD	NC	CA	TC	NQ	NP	TC	TH	NI	QC																									
M	RM ¹	TRANSMIT LOWER RESULT 2 ⁰ -2 ¹⁹			CB	CA	CB	CA	CB	CA	ADD INPUT REG. 2 ²³ -2 ³⁴		NU	NK	NG	NE																																			
N	2 ²⁰ -2 ³⁵		CA															CB	MH	ADD INPUT REG. 2 ³⁵ -2 ⁴⁶		NB	NG	NH ¹																											
O															MI	NA	NK	NG	NK	NG	NK	NG	TI																												
P	KF ¹	SHIFT NETWORK				MJ	NG	NK	NK	NK	NK	NW	CA	NF ¹	CB	CA	CB	CA	NF																																
Q																				NK	NK	NK	NK	NW																											
R																				NG	NK	NK	NK	NW																											

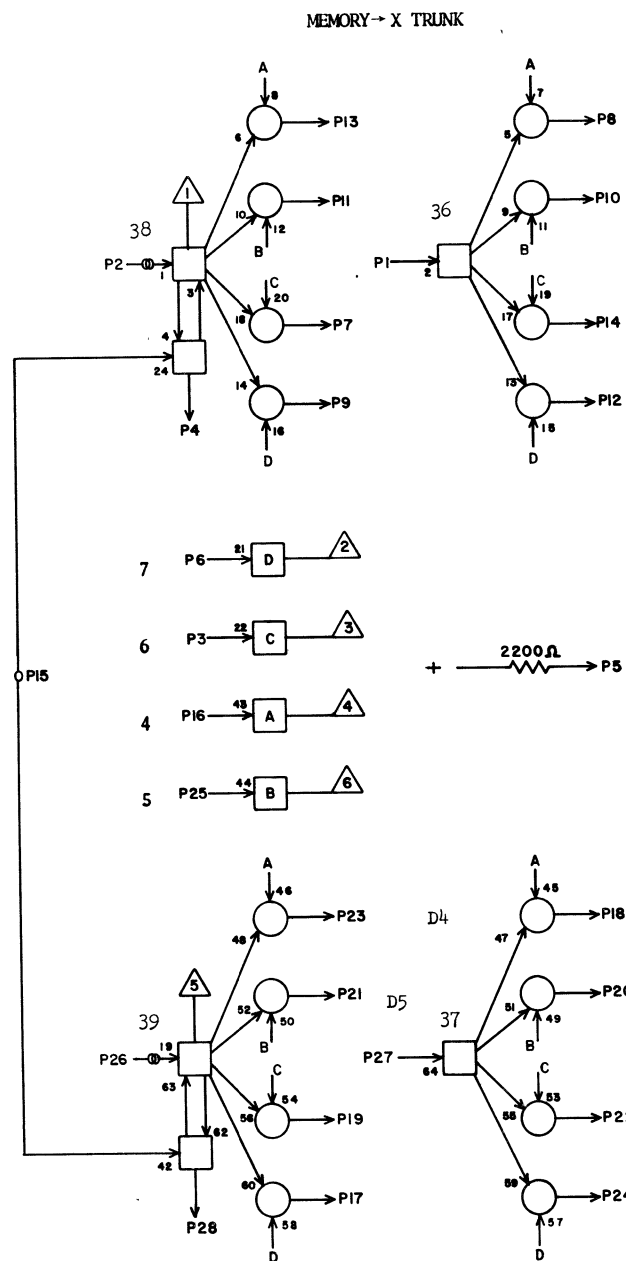
HINGE

63027600



RA			
8A01			
JACK	PIN	LG	
1	A02	4	3
2	W05	900	
3	A14	3	15
4	A02	1	5
5	D13	13	19
6	A14	15	15
7	A21	11	21
8	A16	2	17
9	A25	11	25
10	A17	1	17
11	A17	11	17
12	A25	1	25
13	A15	2	15
14	A21	1	21
15	G03	15	25
16	A13	3	15
17	A25	4	25
18	A16	26	17
19	A21	4	21
20	A17	18	17
21	A17	4	17
22	A21	18	21
23	A15	26	15
24	A25	18	25
25	A13	15	15
26	W05	901	
27	A02	28	3
28	A02	27	5

63017200 Rev. E

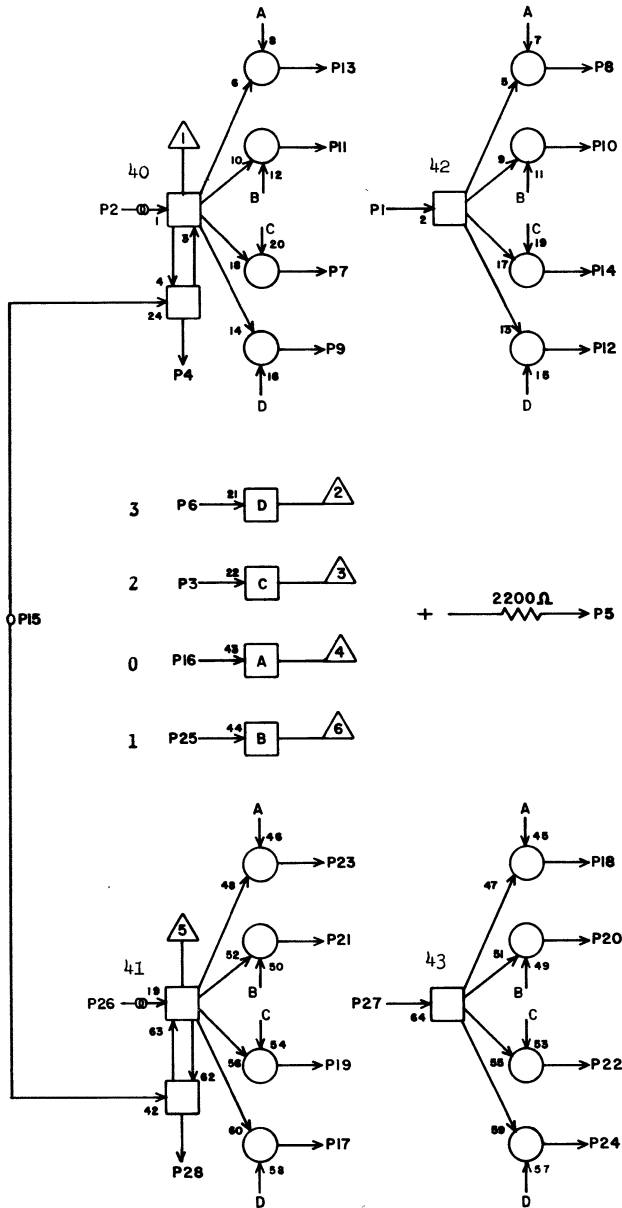


8A02

RA			
8A02			
JACK	PIN	LG	
1	A01	4	5
2	W05	902	
3			
4	A01	1	3
5	C14	13	17
6			
7			
8	B19	11	19
9			
10	B23	11	23
11	B23	1	23
12			
13	B19	1	19
14			
15	G03	7	25
16	B13	3	15
17			
18	B19	4	19
19			
20	B23	4	23
21	B23	18	23
22			
23	B19	18	19
24			
25	B13	15	15
26	W05	903	
27	A01	28	5
28	A01	27	3

63017200 Rev. E

MEMORY → X TRUNK



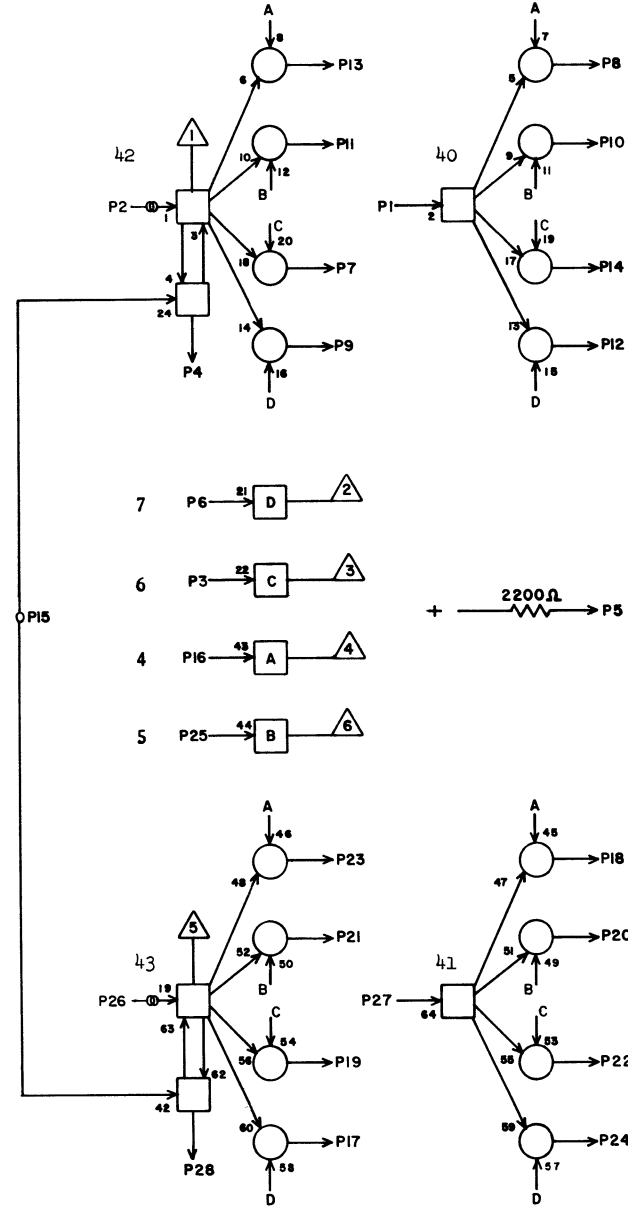
RA

8A03

1	A04	4	3
2	W05	904	
3	A14	5	15
4	A04	1	5
5	E08	13	21
6	A14	18	13
7	A21	16	19
8	B16	2	15
9	A25	16	23
10	A18	11	17
11	A17	16	15
12	A26	11	25
13	B15	2	15
14	A22	11	21
15	G03	6	25
16	A13	5	13
17	A25	15	23
18	B16	26	17
19	A21	15	19
20	A18	4	17
21	A17	15	15
22	A22	4	21
23	B15	26	15
24	A26	4	23
25	A13	18	13
26	W05	905	
27	A04	28	3
28	A04	27	5
	JACK	PIN	LG

63017200 Rev. E

MEMORY → X TRUNK



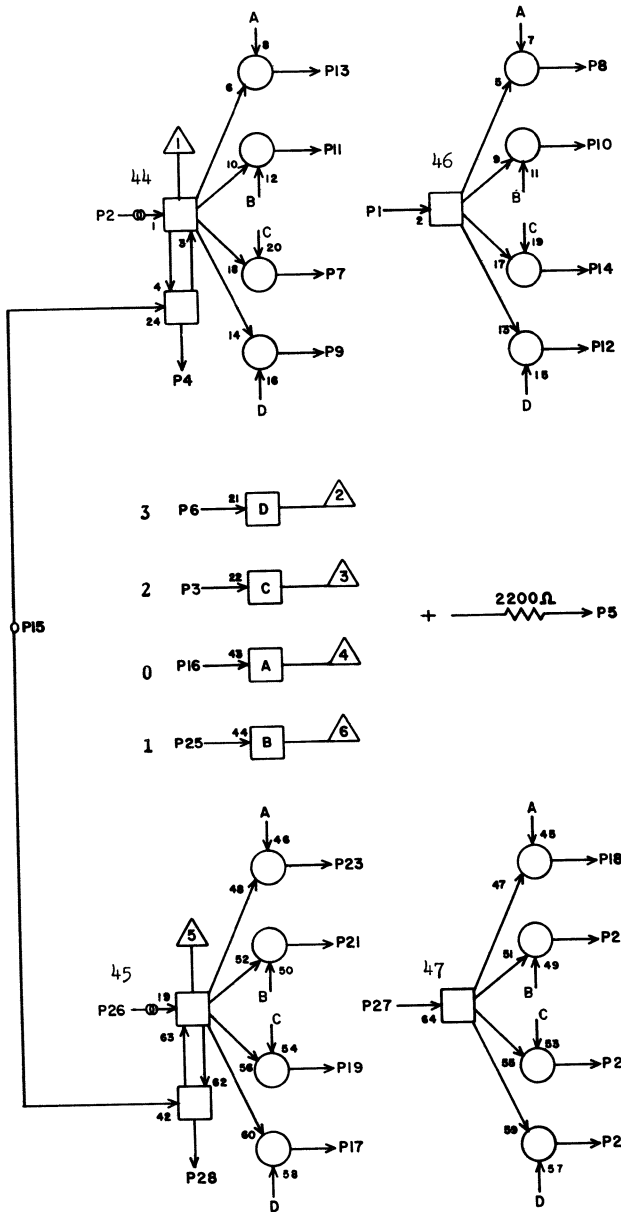
RA

8A04

1	A03	4	5
2	W05	906	
3			
4	A03	1	3
5	E14	13	27
6			
7			
8	B19	16	19
9			
10	B23	16	23
11	B24	11	21
12			
13	B20	11	17
14			
15	G03	4	25
16	B13	5	13
17			
18	B19	15	17
19			
20	B23	15	23
21	B24	4	21
22			
23	B20	4	17
24			
25	B13	13	13
26	W05	907	
27	A03	28	5
28	A03	27	3
	JACK	PIN	LG

63017200 Rev. E

MEMORY → X TRUNK

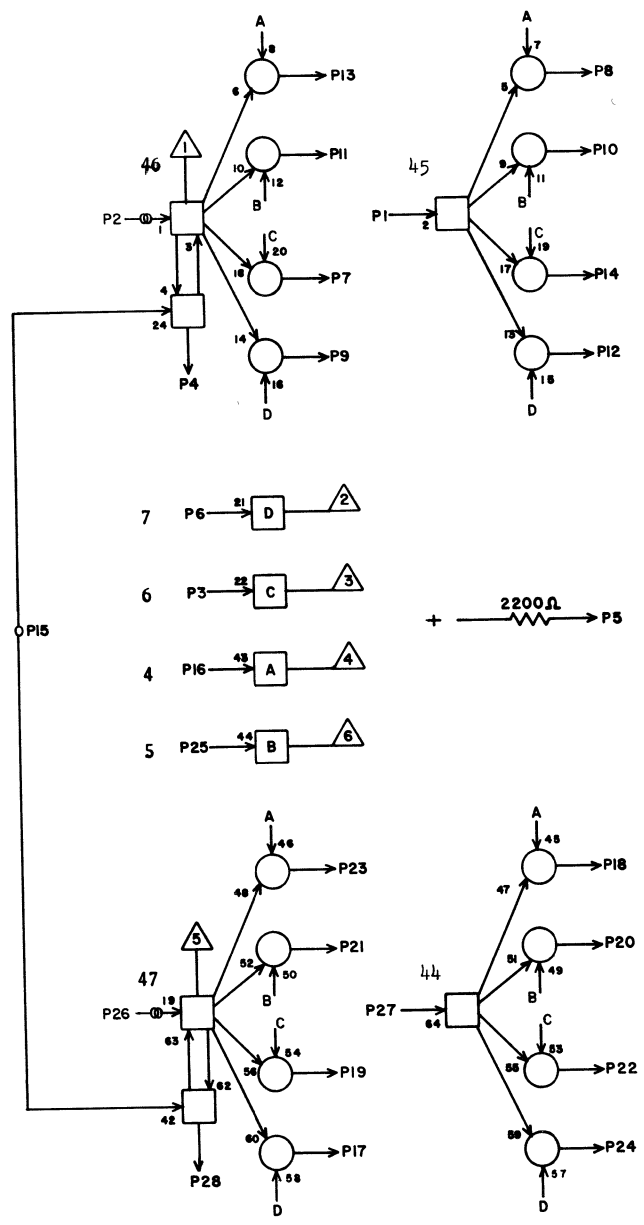


RA 8A05

1	A06	4	3
2	W05	908	
3	A14	8	9
4	A06	1	5
5			
6	A14	20	13
7	A22	1	19
8	C16	2	15
9	A26	1	23
10	A18	16	15
11	A18	1	15
12	A26	16	23
13	C15	2	15
14	A22	16	19
15	G03	9	25
16	A13	8	11
17	A26	18	23
18	C16	26	17
19	A22	18	19
20	A18	15	15
21	A18	18	15
22	A22	15	19
23	C15	26	15
24	A26	15	23
25	A13	20	11
26	W06	90	
27	A06	28	3
28	A06	27	5

63017200 Rev. E

MEMORY → X TRUNK



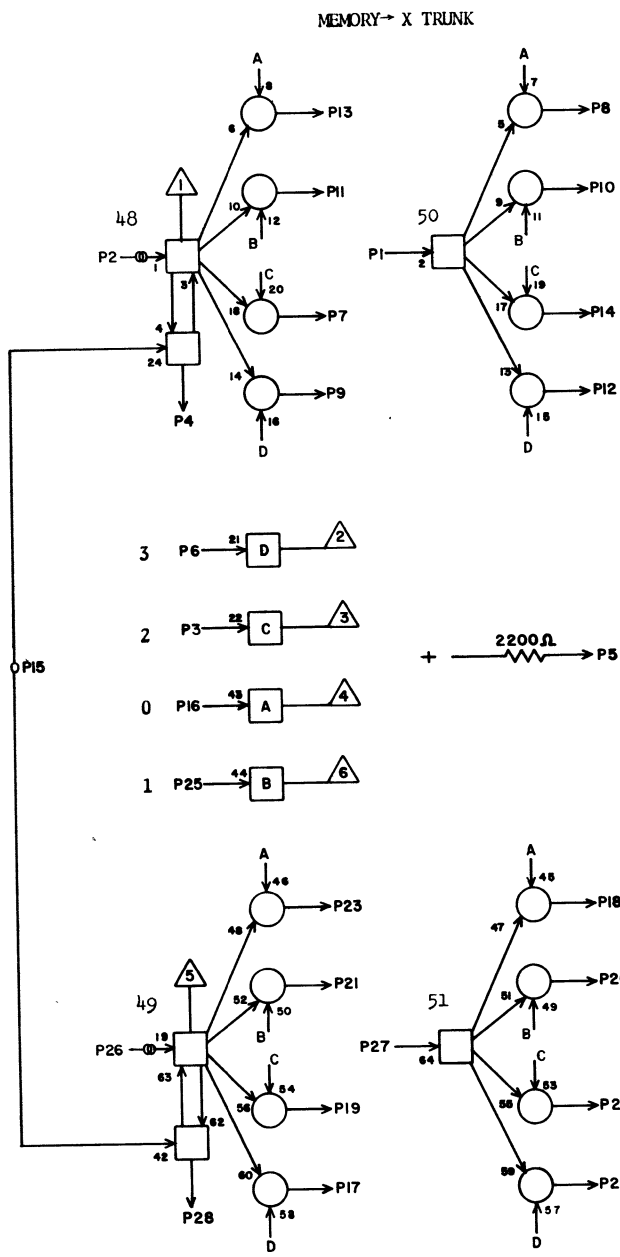
8A06

RA 8A06

1	A05	4	5
2	W06	91	
3			
4	A05	1	3
5			
6			
7			
8	B20	1	17
9			
10	B24	1	19
11	B24	16	19
12			
13	B20	16	17
14			
15	G03	11	25
16	B13	8	11
17			
18	B20	18	17
19			
20	B24	18	19
21	B24	15	19
22			
23	B20	15	17
24			
25	B13	20	11
26	W06	92	
27	A05	28	5
28	A05	27	3

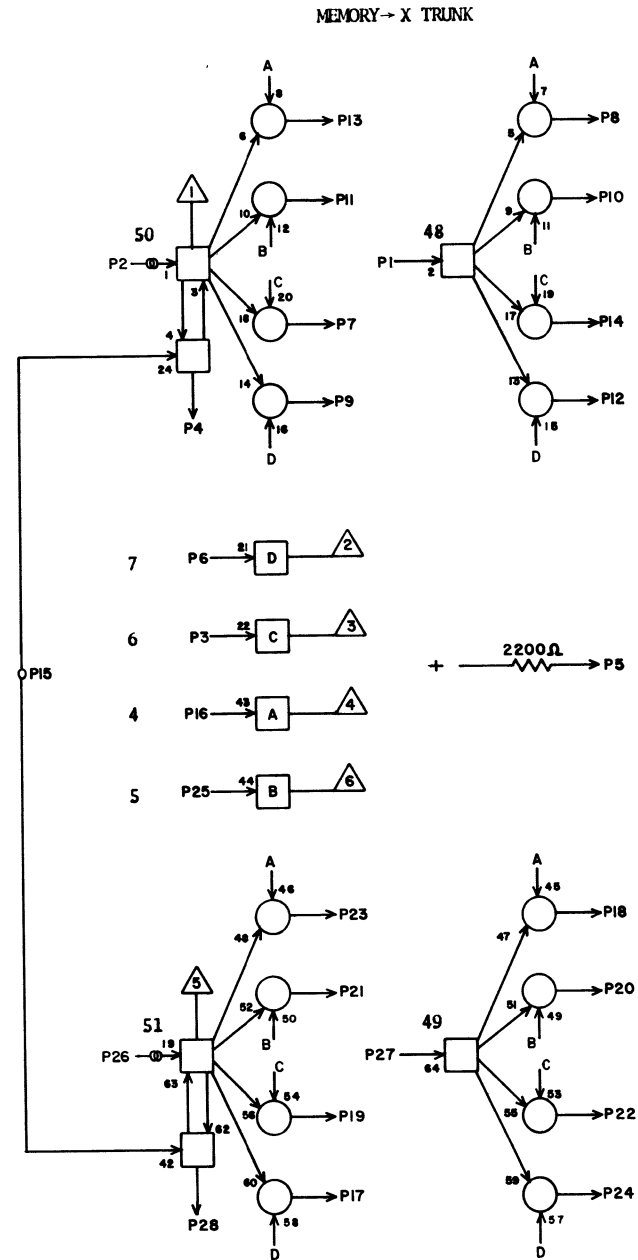
JACK PIN LG

63017200 Rev. E



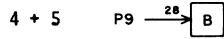
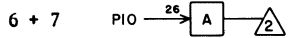
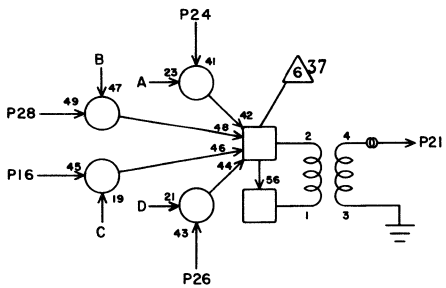
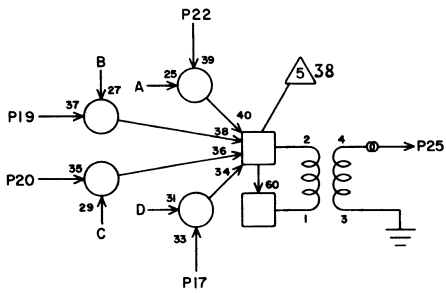
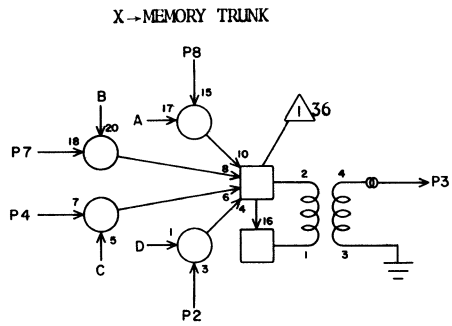
RA		8A07	
JACK	PIN	LG	
1	A08	4	3
2	W06	93	
3	A14	9	11
4	A08	1	5
5			
6	A14	21	11
7	A23	11	17
8	D16	2	17
9	B17	11	13
10	A19	1	15
11	A19	11	15
12	B17	1	13
13	D15	2	17
14	A23	1	17
15	G03	13	25
16	A13	9	9
17	B17	4	13
18	D16	26	17
19	A23	4	17
20	A19	18	15
21	A19	4	15
22	A23	18	17
23	D15	26	17
24	B17	18	13
25	A13	21	9
26	W06	94	
27	A08	28	3
28	A08	27	5

63017200 Rev. E



RA		8A08	
JACK	PIN	LG	
1	A07	4	5
2	W06	95	
3			
4	A07	1	3
5	B14	13	9
6			
7			
8	B21	11	17
9			
10	B25	11	19
11	B25	1	19
12			
13	B21	1	15
14			
15	G03	1	25
16	B13	9	9
17			
18	B21	4	15
19			
20	B25	4	19
21	B25	18	19
22			
23	B21	18	15
24			
25	B13	21	9
26	W06	96	
27	A07	28	5
28	A07	27	3

63017200 Rev. E



RG

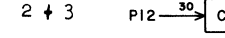
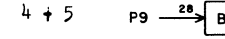
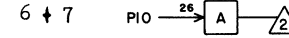
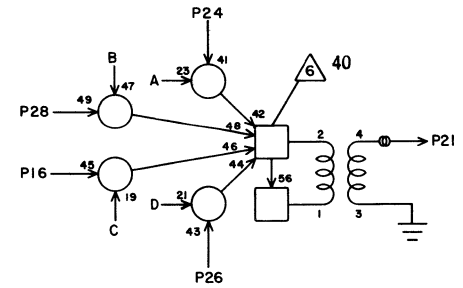
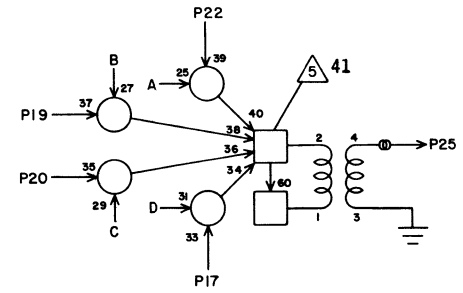
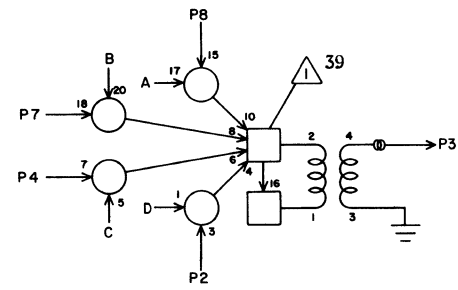
8A09

1			
2	A27	1	19
3	W10	906	
4	B35	1	27
5			
6			
7	D31	1	25
8	E41	18	35
9	E30	1	27
10	E29	1	27
11	E32	1	27
12	E31	1	27
13			
14			
15			
16	B36	23	27
17	A29	1	21
18			
19	D33	1	27
20	B37	1	27
21	W10	907	
22	F29	18	29
23			
24	E42	18	35
25	W10	90	
26	A28	23	31
27			
28	D32	23	25

JACK PIN LG

63017200 Rev. E

X → MEMORY TRUNK



RG

8A10

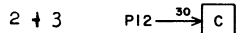
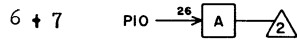
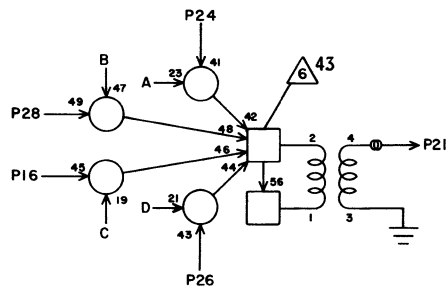
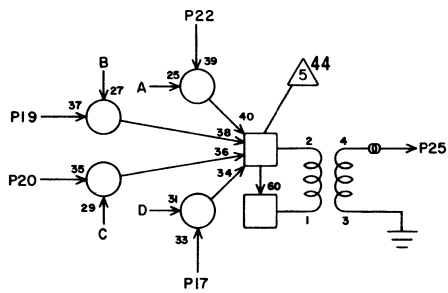
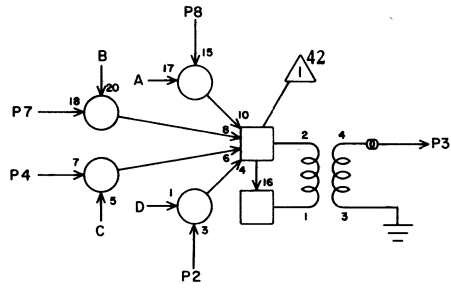
1			
2	A30	23	21
3	W10	91	
4	B38	23	29
5			
6			
7	D34	23	27
8	F30	18	31
9	E30	2	25
10	E29	2	25
11	E32	2	27
12	E31	2	27
13			
14			
15			
16	B39	1	27
17	A32	23	23
18			
19	D36	1	29
20	B40	23	29
21	W10	92	
22	F32	18	31
23	W10	93	
24	F31	18	29
25	W10	93	
26	A31	1	27
27			
28	D35	1	29

JACK PIN LG

8A10

63017200 Rev. E

X → MEMORY TRUNK



RG

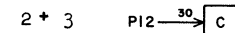
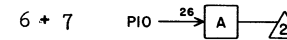
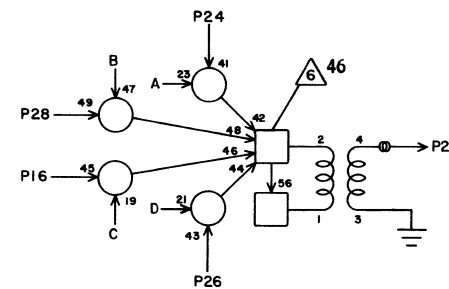
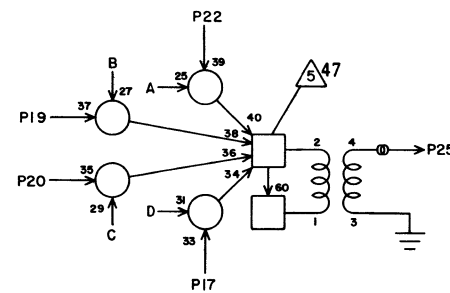
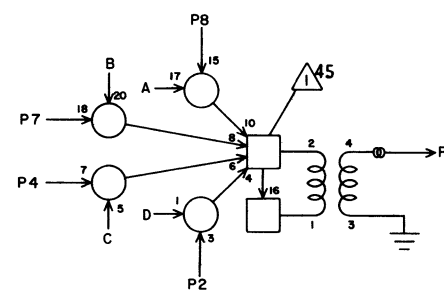
8A11

1			
2	A33	1	23
3	W10	94	
4	B41	1	29
5			
6			
7	D37	18	29
8	F33	18	31
9	E30	3	25
10	E29	3	25
11	E32	3	27
12	E31	3	27
13			
14			
15			
16	B42	23	29
17	A35	1	25
18			
19	D39	18	29
20	C29	1	29
21	W10	95	
22	F35	18	31
23			
24	F34	18	29
25	W10	96	
26	A34	23	23
27			
28	D38	18	31

JACK PIN LG

63017200 Rev. E

X → MEMORY TRUNK



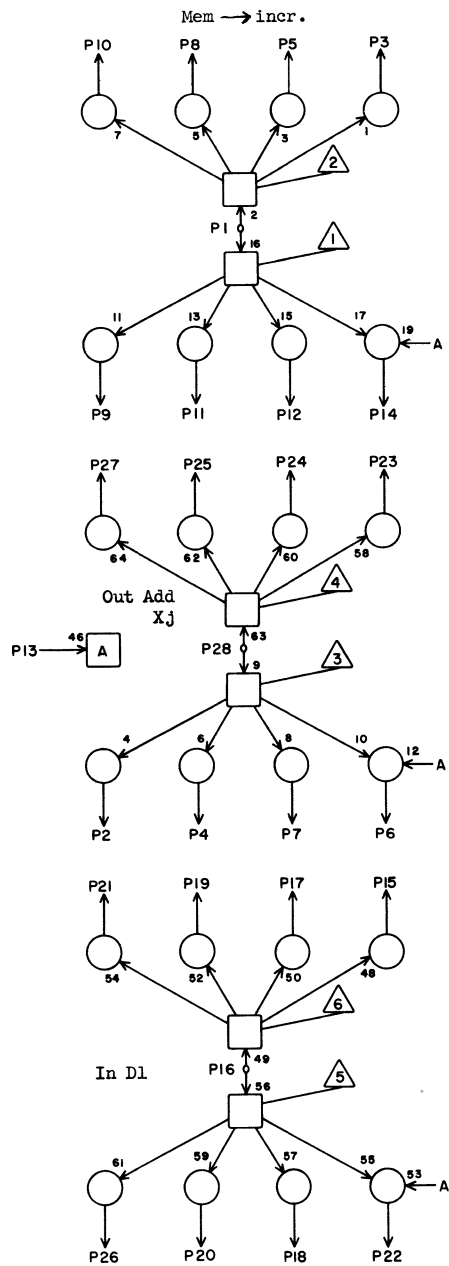
RG

8A12

1			
2	A36	23	25
3	W11	900	
4	C30	23	23
5			
6			
7	D40	18	31
8	F36	18	33
9	E30	5	25
10	E29	5	25
11	E32	5	27
12	E31	5	25
13			
14			
15			
16	C31	1	25
17	A38	23	25
18			
19	D42	18	31
20	C32	23	31
21	W11	901	
22	F38	18	33
23			
24	F37	18	31
25	W11	902	
26	A37	1	31
27			
28	D41	18	31

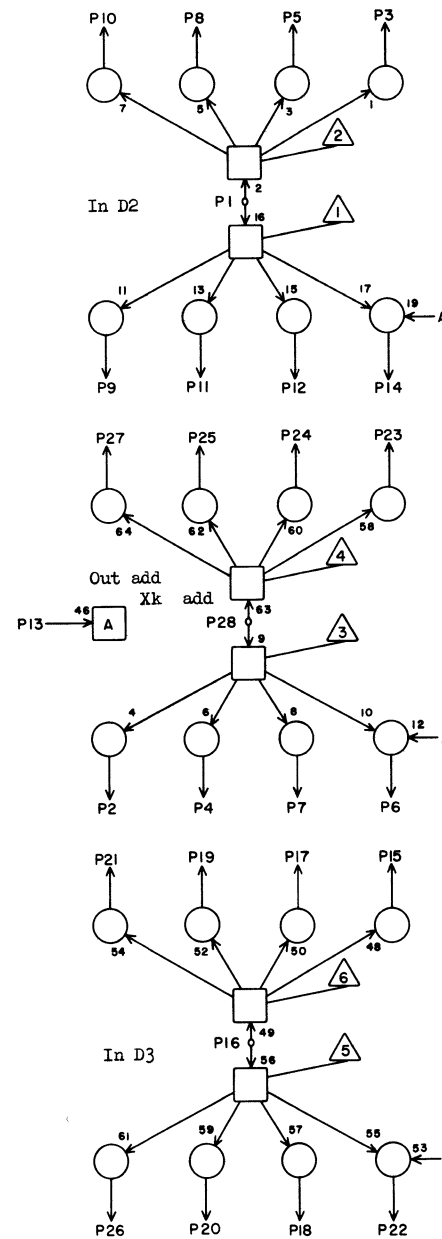
JACK PIN LG

63017200 Rev. E



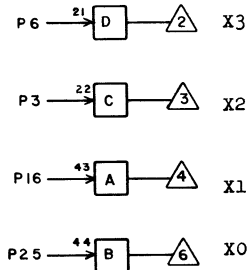
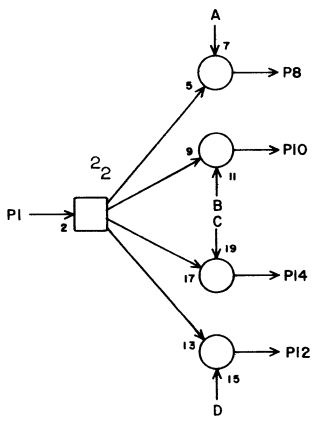
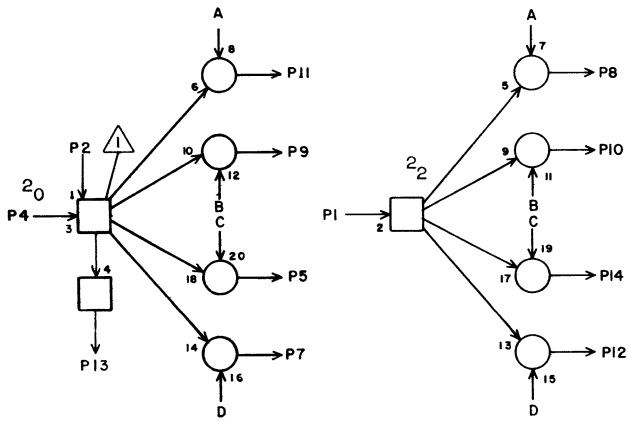
HF		8A13	
JACK	PIN	LG	
1	G18	20	84
2	C37	12	27
3	A01	16	15
4	C38	12	27
5	A03	16	13
6			
7	C39	12	27
8	A05	16	11
9	A07	16	9
10			
11	B01	16	15
12	B03	16	15
13			
14			
15	A01	25	15
16	A19	26	9
17	B01	25	15
18	A03	25	13
19	B03	25	13
20	A05	25	11
21	A07	25	9
22			
23	C40	12	27
24			
25			
26			
27			
28	E01	12	21

63017200 Rev. E

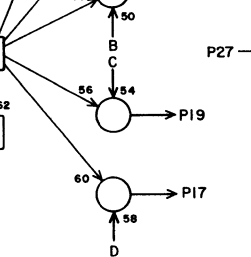
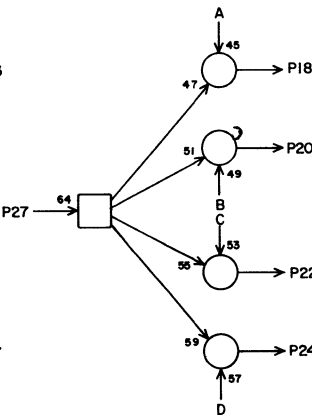
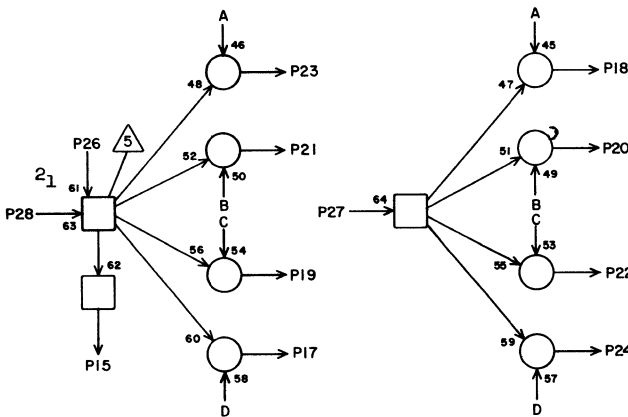


HF		8A14	
JACK	PIN	LG	
1	A20	26	9
2	C41	12	29
3	A01	3	15
4	C42	12	29
5	A03	3	15
6			
7	D37	12	27
8	A05	3	9
9	A07	3	11
10			
11	B01	3	15
12	B03	3	15
13			
14			
15	A01	6	15
16	A21	26	9
17	B01	6	15
18	A03	6	13
19	B03	6	15
20	A05	6	13
21	A07	6	11
22			
23	D38	12	27
24			
25			
26			
27			
28	F01	12	25

63017200 Rev. E



Incr (Mem) to X
0 - 3

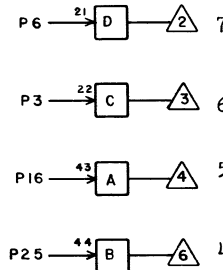
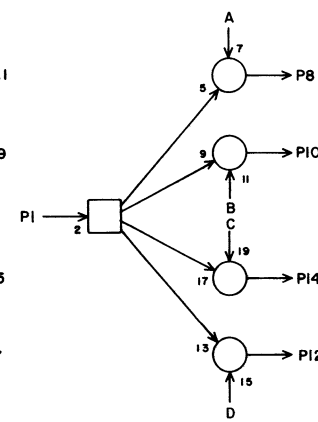
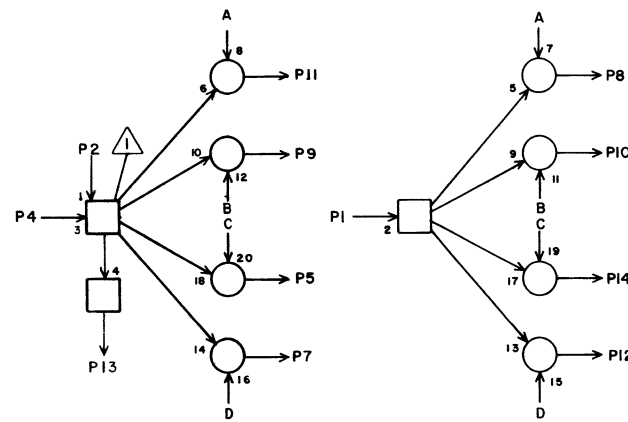


RC **8A15**

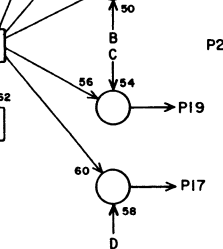
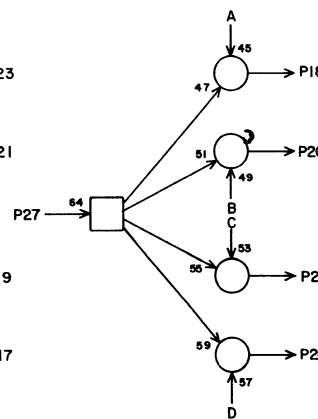
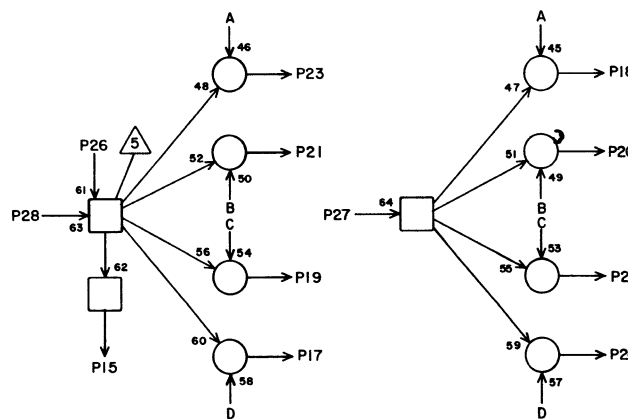
1	A16	13	5
2	A01	13	15
3	F06	2	23
4	E06	24	21
5	D17	9	15
6	F08	2	25
7	D23	9	17
8	C17	24	13
9	C23	9	15
10	C23	24	15
11	C17	9	11
12	D23	24	17
13	A16	1	5
14	D17	24	17
15	A16	27	5
16	F06	3	23
17	D23	15	17
18	C17	23	13
19	D17	15	15
20	C23	23	15
21	C23	15	13
22	D17	23	15
23	C17	15	11
24	D23	23	17
25	F06	15	23
26	A01	23	15
27	A16	15	5
28	E06	22	19

JACK PIN LG

63017200 Rev. F



Incr (Mem) to X
0 - 3

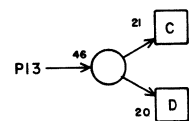
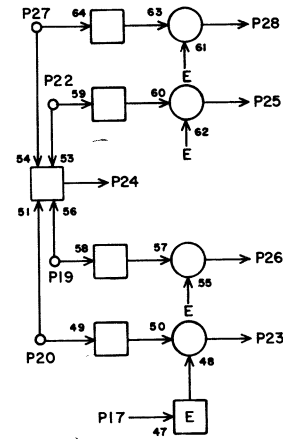
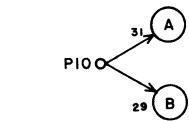
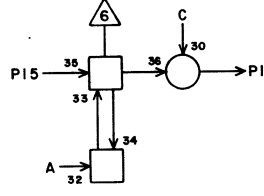
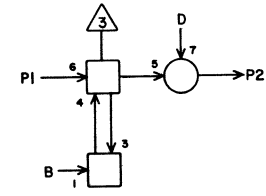
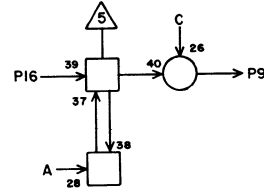
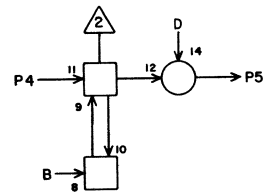
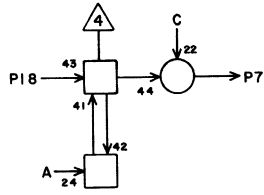
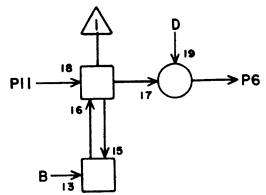


RC **8A16**

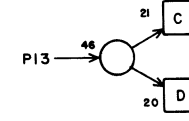
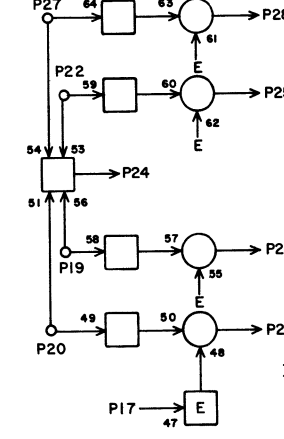
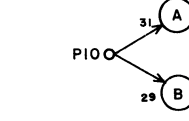
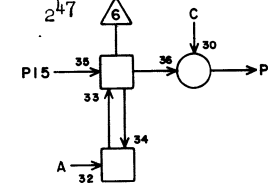
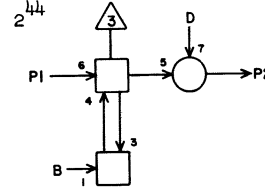
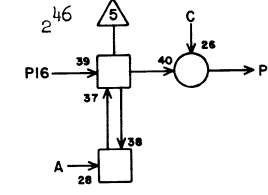
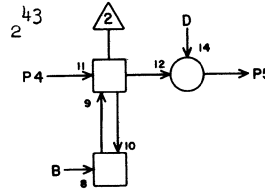
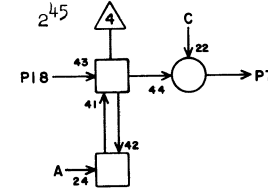
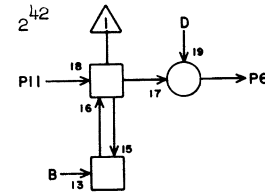
1	A15	13	5
2	A01	8	17
3	E08	3	21
4	E06	18	21
5	F17	24	23
6	E08	15	21
7	F23	24	23
8	E17	5	19
9	E23	24	19
10	E23	5	21
11	E17	24	19
12	F23	5	25
13	A15	1	5
14	F17	5	23
15	A15	27	5
16	F08	3	23
17	F23	23	23
18	E17	6	19
19	F17	23	23
20	E23	6	21
21	E23	23	19
22	F17	6	23
23	E17	23	17
24	F23	6	23
25	F08	15	23
26	A01	18	17
27	A15	15	5
28	E06	20	21

JACK PIN LG

63017200 Rev. F

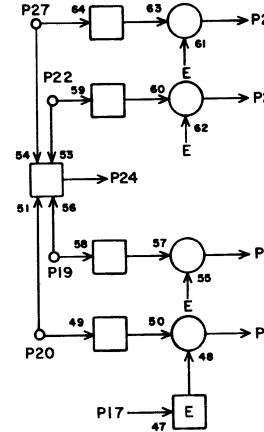
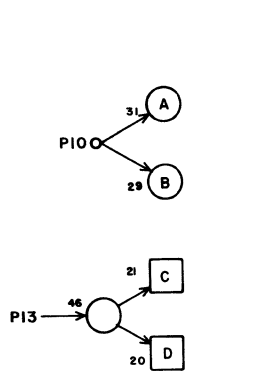
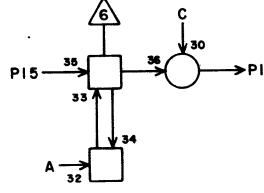
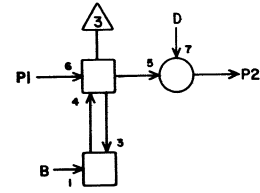
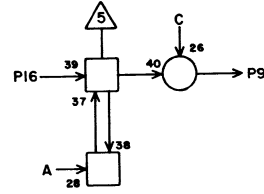
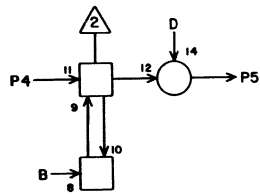
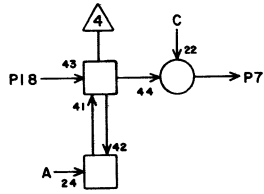
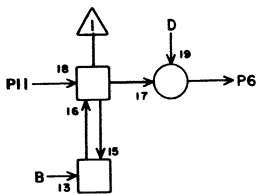


RE		8A17	
JACK	PIN	LG	
1	A01	10	17
2	C23	28	15
3			
4	A01	21	17
5	C23	17	15
6	C23	13	15
7	C23	25	15
8			
9	C24	13	13
10	D27	10	19
11	A01	11	17
12	C24	17	15
13	G13	15	27
14			
15	A03	21	15
16	A03	11	15
17	G12	22	27
18	A01	20	17
19	G07	13	27
20	G06	13	27
21			
22	G08	13	27
23	D13	1	13
24	G23	5	25
25	F08	1	23
26	F13	1	21
27	G11	17	25
28	G14	14	25

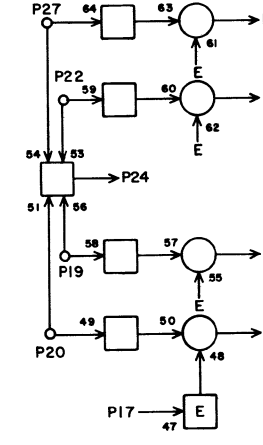
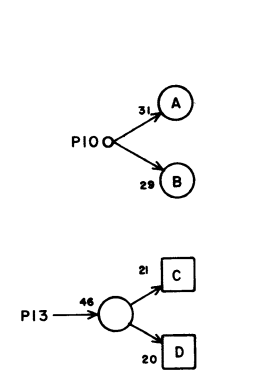
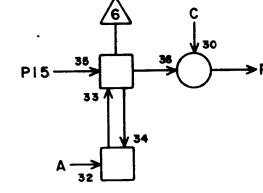
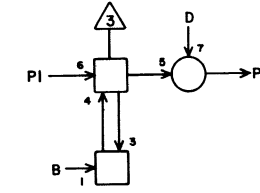
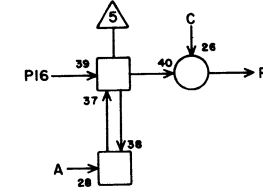
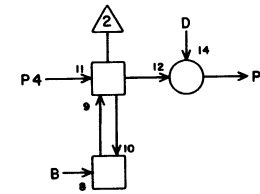
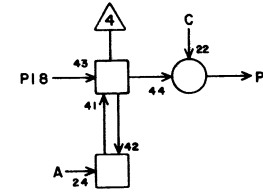
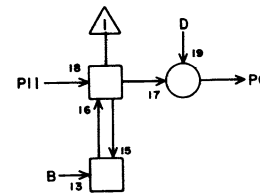


In X5

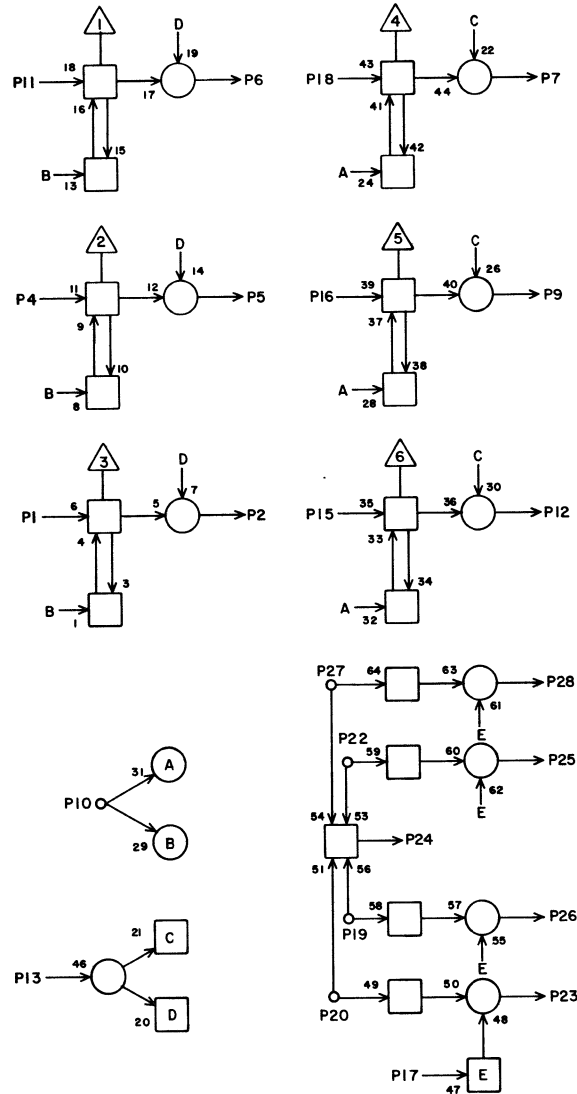
RE		8A18	
JACK	PIN	LG	
1	A05	11	15
2	C25	13	15
3			
4	A03	20	17
5	C24	25	15
6	C24	28	15
7	C25	17	15
8			
9	C25	28	15
10	D27	8	17
11	A03	10	17
12	C25	25	15
13	G13	7	25
14			
15	A05	20	15
16	A05	10	15
17	G12	20	27
18	A05	21	15
19	G07	11	27
20	G06	11	27
21			
22	G08	11	27
23	D13	16	17
24	G23	23	27
25	F08	16	25
26	F13	16	23
27	G11	27	27
28	G15	3	25



RE		8A19	
JACK	PIN	PIN	LG
1	A07	10	15
2	C26	28	15
3			
4	A07	21	15
5	C26	17	15
6	C26	13	15
7	C26	25	15
8			
9	C27	13	15
10	D27	6	17
11	A07	11	15
12	C27	17	15
13	G13	6	25
14			
15	B01	21	19
16	B01	11	19
17	H 7	15	31
18	A07	20	15
19	G05	6	27
20			
21			
22			
23			
24	D27	5	17
25			
26	A13	16	9
27			
28			

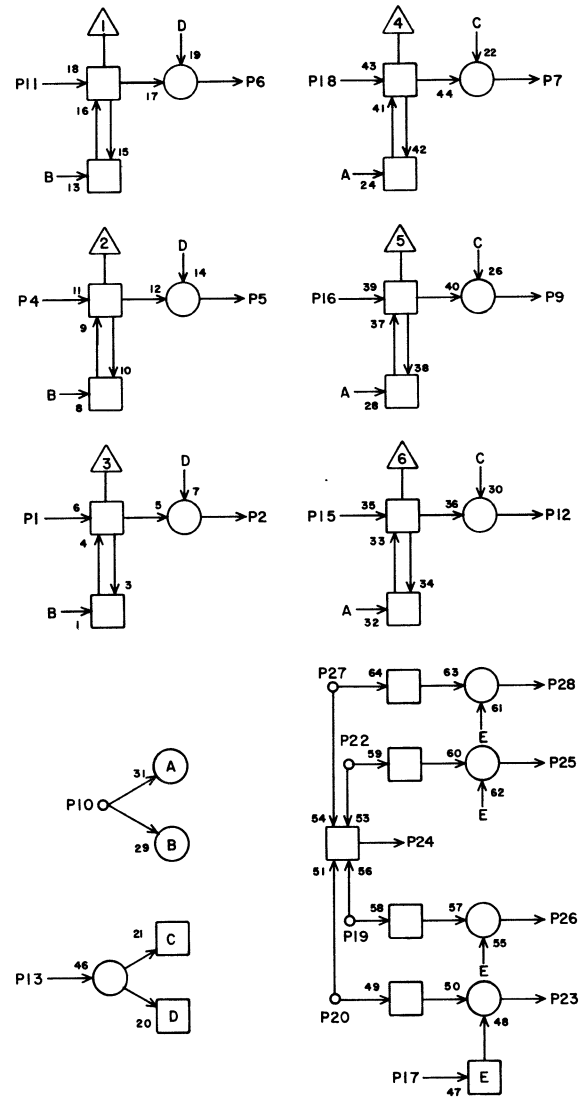


RE		8A20	
JACK	PIN	PIN	LG
1	B03	11	19
2	C28	13	15
3			
4	B01	20	21
5	C27	25	15
6	C27	28	15
7	C28	17	15
8			
9	C28	28	15
10	D27	4	15
11	B01	10	21
12	C28	25	15
13	C13	4	25
14			
15	B03	20	19
16	B03	10	19
17	H 7	17	31
18	B03	21	19
19	G05	8	29
20			
21			
22			
23			
24	D26	5	17
25			
26	A14	1	9
27			
28			



RE		8A21	
JACK	PIN	LG	
1	A01	14	21
2	D17	28	17
3			
4	A01	19	21
5	D17	17	17
6	D17	13	17
7	D17	25	17
8			
9	D18	13	15
10	D26	10	15
11	A01	7	21
12	D18	17	15
13	G13	25	29
14			
15	A03	19	19
16	A03	7	19
17	H 7	19	31
18	A01	22	21
19	G05	2	29
20			
21			
22			
23			
24	D25	5	15
25			
26	A14	16	9
27			
28			

63017200 Rev. E

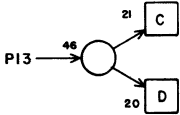
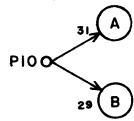
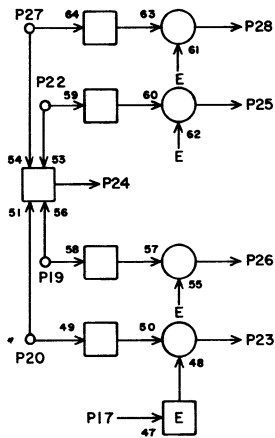
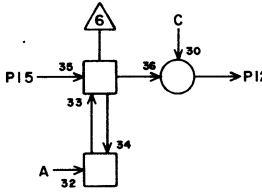
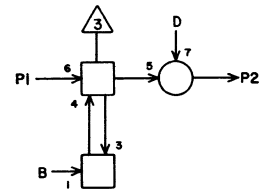
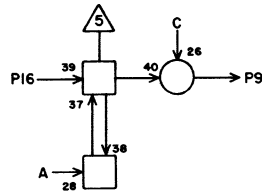
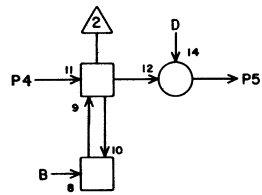
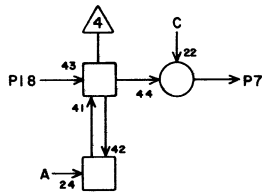
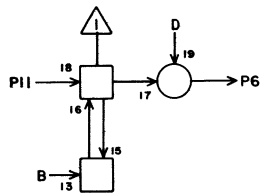


Add Exp = 1777
Error

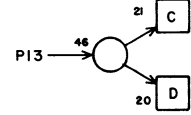
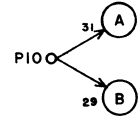
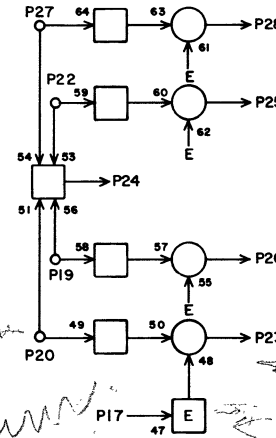
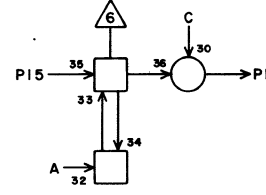
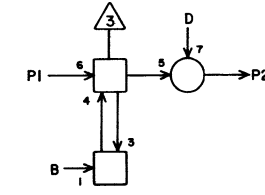
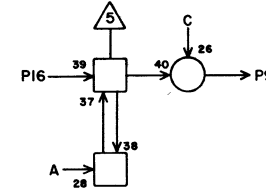
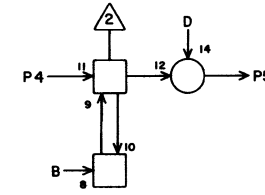
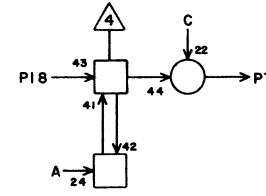
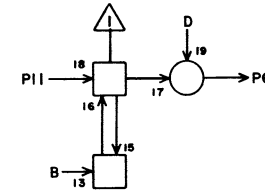
8A22

RE		8A22	
JACK	PIN	LG	
1	A05	7	19
2	D19	13	17
3			
4	A03	22	21
5	D18	25	17
6	D18	28	17
7	D19	17	17
8			
9	D19	28	17
10	D26	8	17
11	A03	14	21
12	D19	25	17
13	G13	23	27
14			
15	A05	22	19
16	A05	14	19
17	F21	11	23
18	A05	19	19
19			
20	F21	15	23
21			
22			
23	H09	26	31
24			
25			
26			
27			
28			

63017200 Rev. T

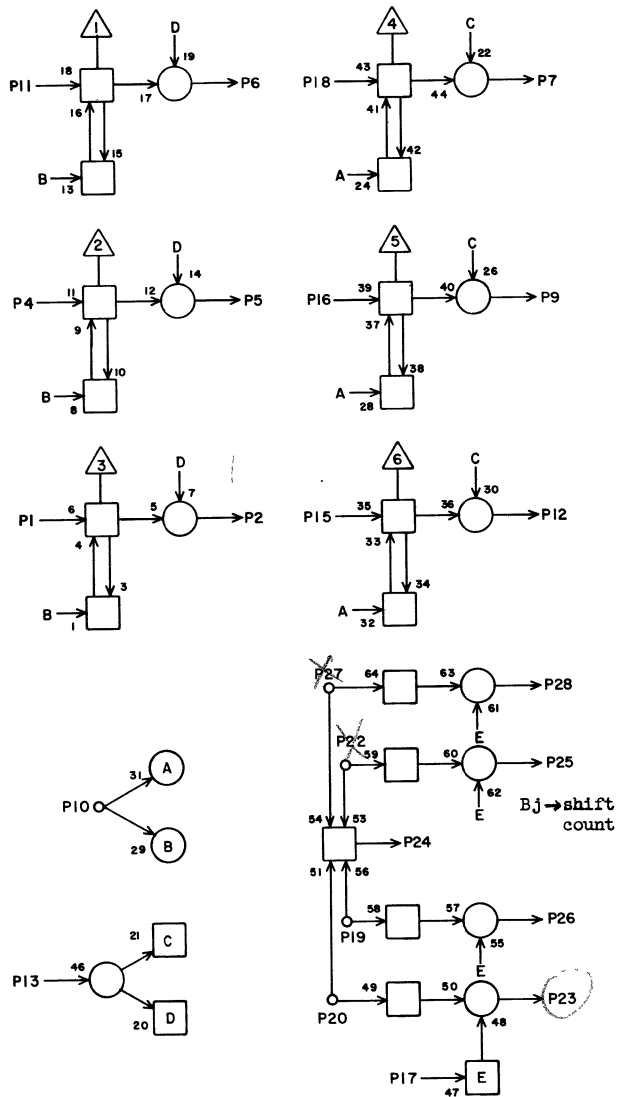


RE			
8 A23			
1	A07	14	17
2	D20	28	17
3			
4	A07	19	17
5	D20	17	17
6	D20	13	17
7	D20	25	17
8			
9	D21	13	15
10	D26	6	17
11	A07	7	17
12	D21	17	15
13	G13	26	29
14			
15	B01	19	23
16	B01	7	23
17	H26	18	96
18	A07	22	17
19			
20			
21			
22	O28	23	53
23			
24			
25	F22	16	21
26			
27	O25	23	53
28	F22	14	19
	JACK	PIN	LG



RE			
8 A24			
1	B03	7	23
2	D22	13	17
3			
4	B01	22	25
5	D21	25	17
6	D21	28	17
7	D22	17	17
8			
9	D22	28	17
10	D26	4	17
11	B01	14	25
12	D22	25	17
13	G13	24	29
14			
15	B03	22	23
16	B03	14	23
17	J18	26	120
18	B03	19	23
19			
20	G18	10	25
21			
22			
23	N06	16	57
24			
25			
26			
27			
28			
	JACK	PIN	LG

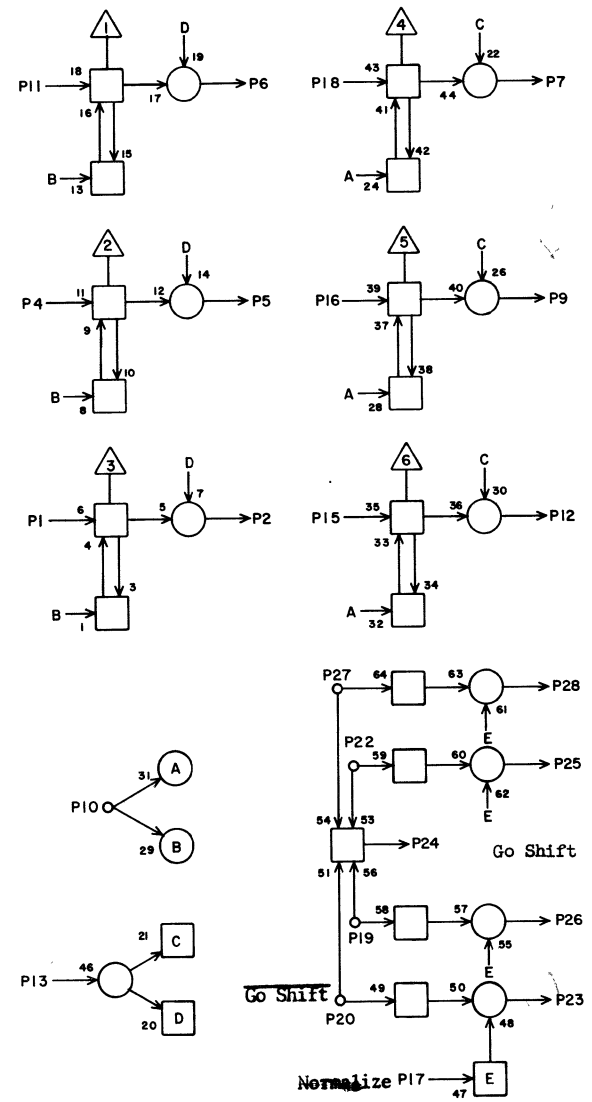
Transmit add



RE 8A25

1	A01	12	25
2	D23	28	17
3			
4	A01	17	25
5	D23	17	17
6	D23	13	15
7	D23	25	17
8			
9	D24	13	15
10	D25	10	17
11	A01	9	25
12	D24	17	15
13	G14	15	27
14			
15	A03	17	23
16	A03	9	23
17	A25	24	96
18	A01	24	25
19			
20	I19	11	33
21			
22			
23	H02	16	35
24	A25	17	96
25			
26			
27			
28			

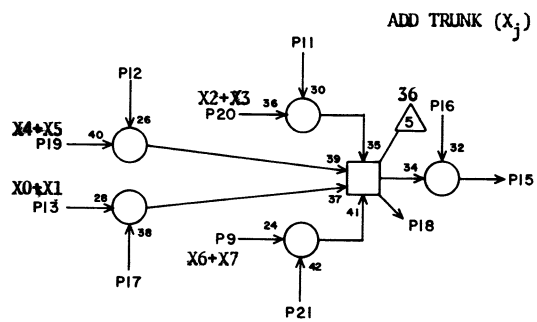
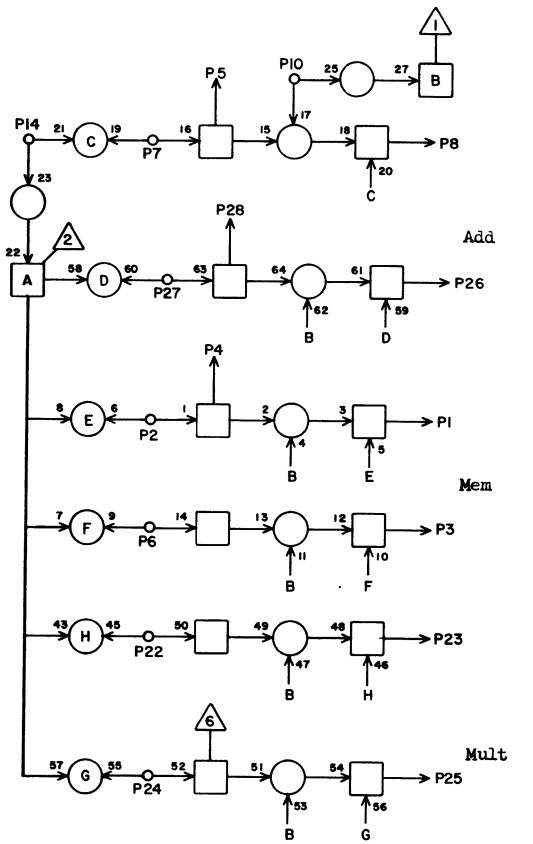
JACK PIN LG



RE 8A26

1	A05	9	23
2	D25	13	17
3			
4	A03	24	23
5	D24	25	17
6	D24	28	17
7	D25	17	17
8			
9	D25	28	17
10	D25	8	17
11	A03	12	25
12	D25	25	17
13	G14	7	27
14			
15	A05	24	23
16	A05	12	23
17	C20	6	13
18	A05	17	23
19			
20	H01	19	37
21			
22			
23	I25	5	180
24	G34	11	25
25			
26			
27			
28			

JACK PIN LG

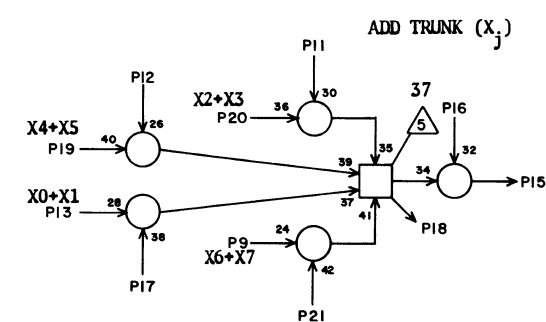
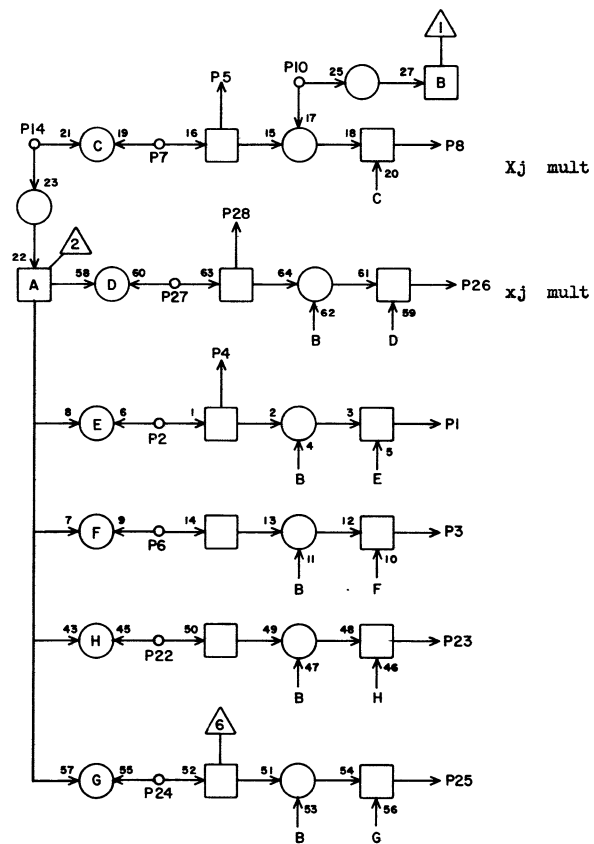


RL **8A27**

1	A09	2	19
2	E39	1	23
3	C09	2	21
4	A28	22	5
5	A28	6	3
6	A28	5	5
7	C37	1	15
8	A27	13	3
9	E41	22	23
10	C17	11	15
11	F37	1	23
12	F39	1	25
13	A27	8	3
14	C23	11	11
15	K08	9	43
16	A27	X	3
17	F35	1	23
18			
19	D31	8	15
20	B35	8	11
21	F41	1	25
22	A28	4	5
23			
24	A28	28	3
25	E09	2	25
26	B27	13	7
27	C41	1	17
28	A28	24	3

JACK PIN LG

63017200 Rev. E

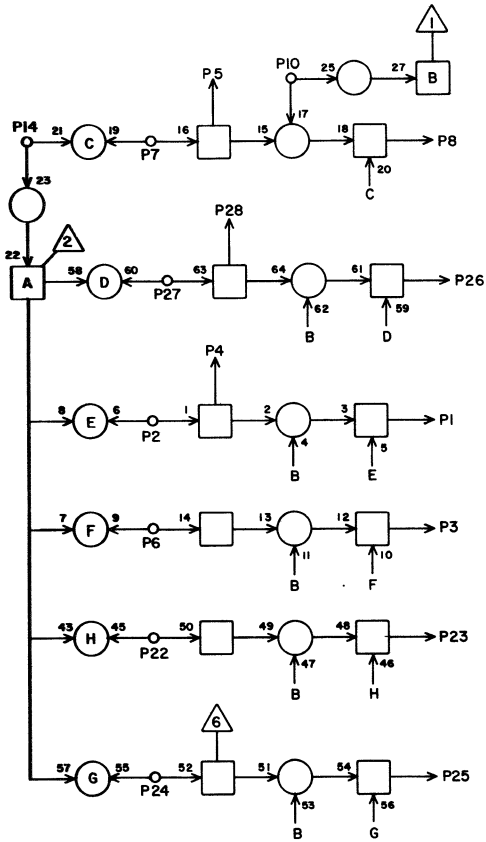


RL **8A28**

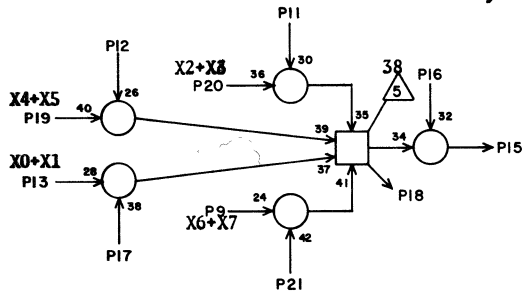
1			
2			
3	A28	13	3
4	A27	22	5
5	A27	6	5
6	A27	5	3
7	D39	1	17
8	C09	26	23
9	E42	21	23
10	C23	16	13
11	F37	2	23
12	F39	2	23
13	A28	3	3
14	C17	16	17
15	K08	19	43
16	A28	X	2
17	F35	2	23
18			
19	D32	3	15
20	B36	3	13
21	F41	2	23
22	A27	4	5
23	A09	26	21
24	A27	28	3
25	B28	13	5
26	E09	26	25
27	E35	1	17
28	A27	24	3

JACK PIN LG

63017200 Rev. E



ADD TRUNK (X_j)



RL

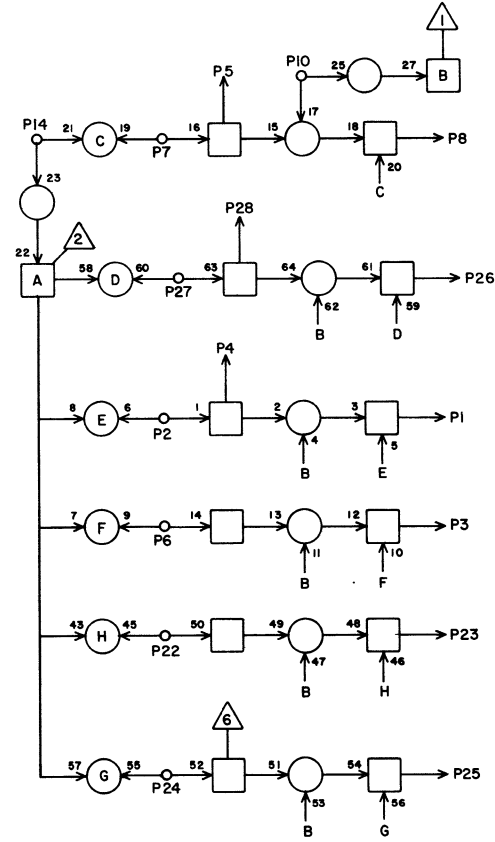
8A29

1	A09	17	21
2	E39	2	21
3	C09	17	23
4	A30	22	5
5	A30	6	3
6	A30	5	5
7	C37	2	13
8	A29	13	3
9	F29	22	23
10	C17	26	17
11	F37	3	23
12	F39	3	23
13	A29	8	3
14	C23	26	13
15	K09	9	43
16	A29	X	2
17	F35	3	23
18			
19	D33	8	15
20	B37	8	11
21	F41	3	23
22	A30	4	5
23			
24	A30	28	3
25	E09	17	27
26	B29	13	7
27	C41	2	15
28	A30	24	3

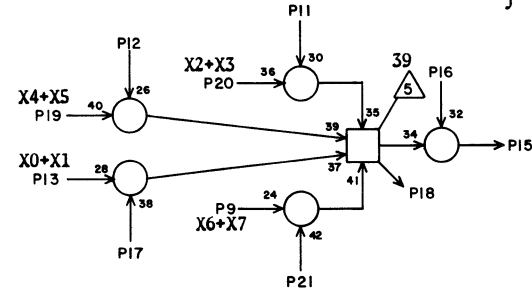
63017200 Rev. E

RL

8A30



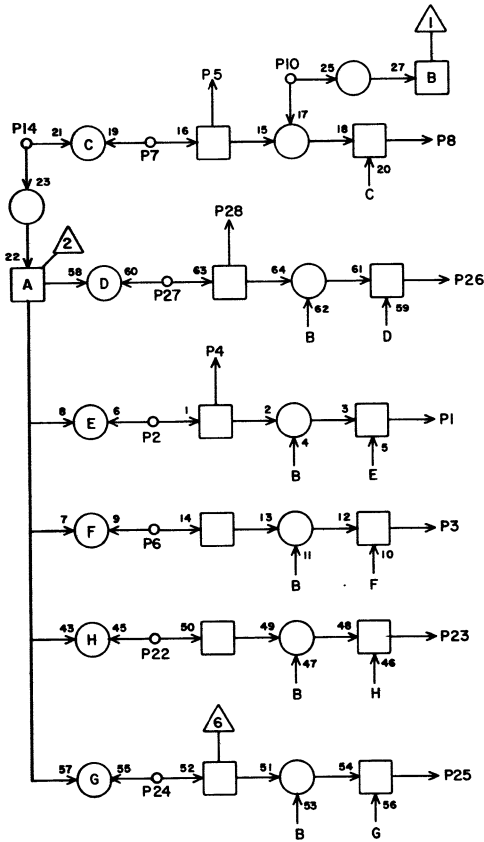
ADD TRUNK (X_j)



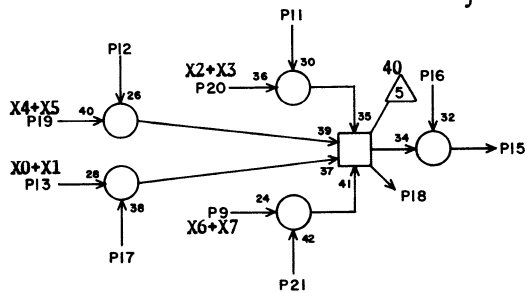
1			
2			
3	A30	13	3
4	A29	22	5
5	A29	6	5
6	A29	5	3
7	D39	2	17
8	C10	2	23
9	F30	21	23
10	C23	27	15
11	F37	5	23
12	F39	5	23
13	A30	3	3
14	C17	27	17
15	K09	19	43
16	A30	X	2
17	F35	5	21
18			
19	D34	3	15
20	B38	3	13
21	F41	5	23
22	A29	4	5
23	A10	2	21
24	A29	28	3
25	B30	13	5
26	E10	2	25
27	E35	2	17
28	A29	24	3

63017200 Rev. E

8A30

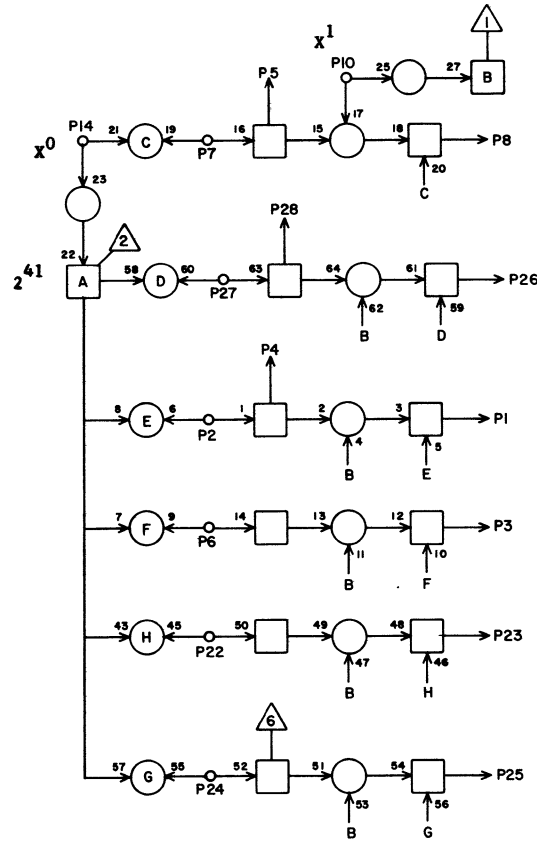


ADD TRUNK (X_j)

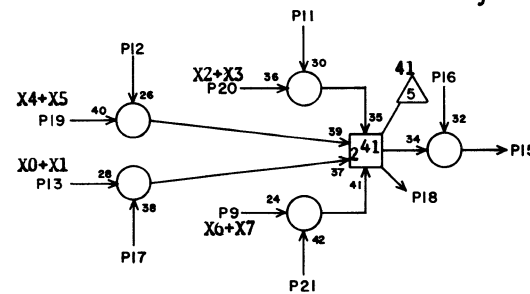


RL 8A31

1	A10	26	27
2	E39	3	21
3	C10	26	25
4	A32	22	5
5	A32	6	3
6	A32	5	5
7	C37	3	13
8	A31	13	3
9	F31	22	23
10	C18	11	17
11	F37	13	23
12	F39	13	23
13	A31	8	3
14	C24	11	13
15	K10	9	43
16	A31	X	2
17	F35	13	23
18			
19	D35	8	15
20	B39	8	11
21	F41	13	23
22	A32	4	5
23			
24	A32	28	3
25	E10	26	27
26	B31	13	5
27	C41	3	15
28	A32	24	3

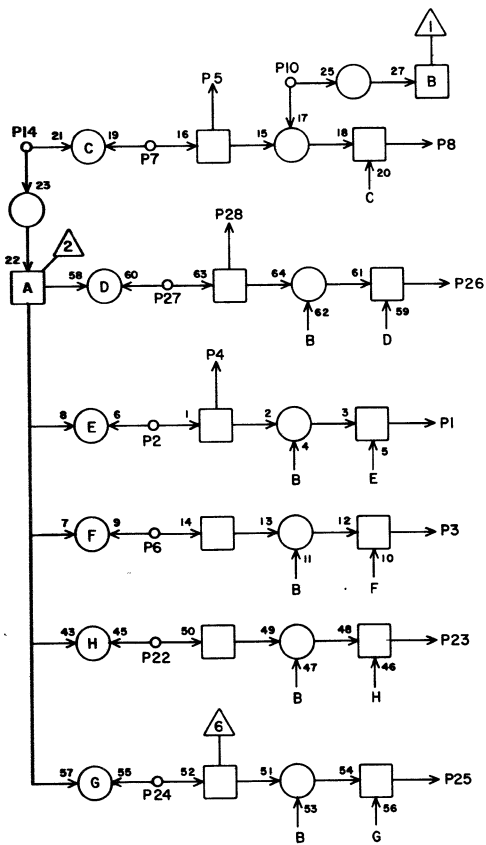


ADD TRUNK (X_j)

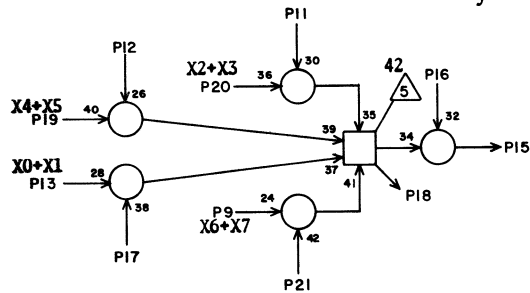


RL 8A32

1			
2			
3	A32	13	3
4	A31	22	5
5	A31	6	5
6	A31	5	3
7	D39	3	17
8	C10	17	25
9	F32	21	23
10	C24	16	15
11	F37	14	23
12	F39	14	23
13	A32	3	3
14	C18	16	19
15	K10	19	45
16	A32	X	2
17	F35	14	23
18			
19	D36	3	15
20	B40	3	13
21	F41	14	23
22	A31	4	5
23	A10	17	23
24	A31	28	3
25	B32	13	5
26	E10	17	27
27	E35	3	17
28	A31	24	3

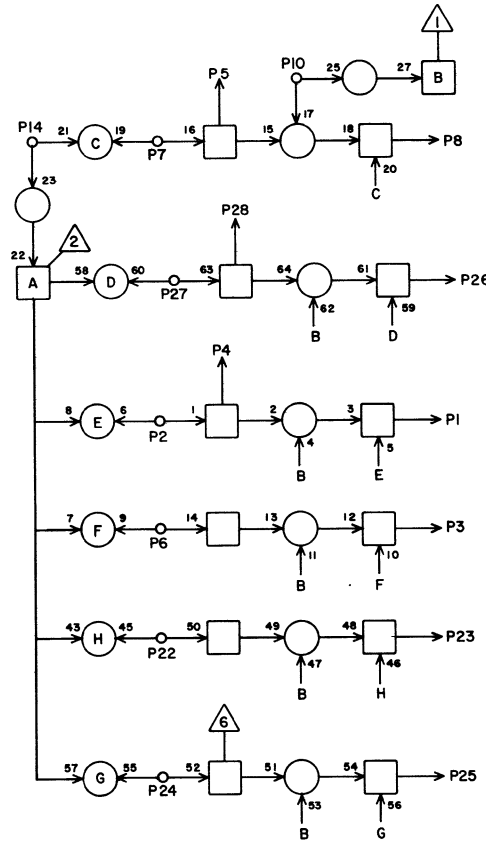


ADD TRUNK (X_j)

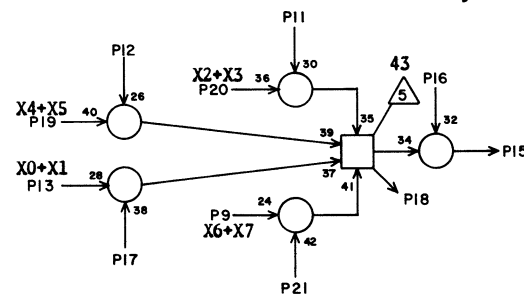


RL 8A33

1	A11	2	23
2	E39	5	19
3	C11	2	25
4	A34	22	5
5	A34	6	3
6	A34	5	5
7	C37	5	13
8	A33	13	3
9	F33	22	23
10	C18	26	19
11	F37	15	23
12	F39	15	23
13	A33	8	3
14	C24	26	15
15	K11	9	43
16	A33	X	2
17	F35	15	23
18			
19	D37	22	15
20	B41	8	11
21	F41	15	23
22	A34	4	5
23			
24	A34	28	3
25	E11	2	27
26	B33	13	5
27	C41	5	13
28	A34	24	3

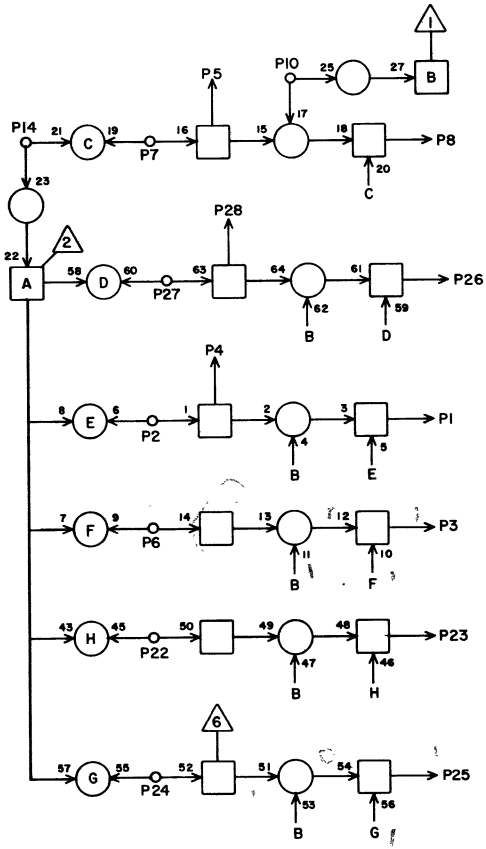


ADD TRUNK (X_j)

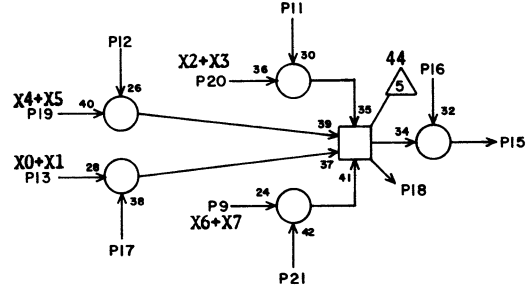


RL 8A34

1			
2			
3	A34	13	3
4	A33	22	5
5	A33	6	5
6	A33	5	3
7	D39	5	15
8	C11	26	25
9	F34	21	23
10	C24	27	17
11	F37	16	23
12	F39	16	23
13	A34	3	3
14	C18	27	19
15	K11	19	45
16	A34	X	2
17	F35	16	23
18			
19	D38	21	15
20	B42	3	13
21	F41	16	23
22	A33	4	5
23	A11	26	23
24	A33	28	3
25	B34	13	5
26	E11	26	29
27	E35	5	17
28	A33	24	3



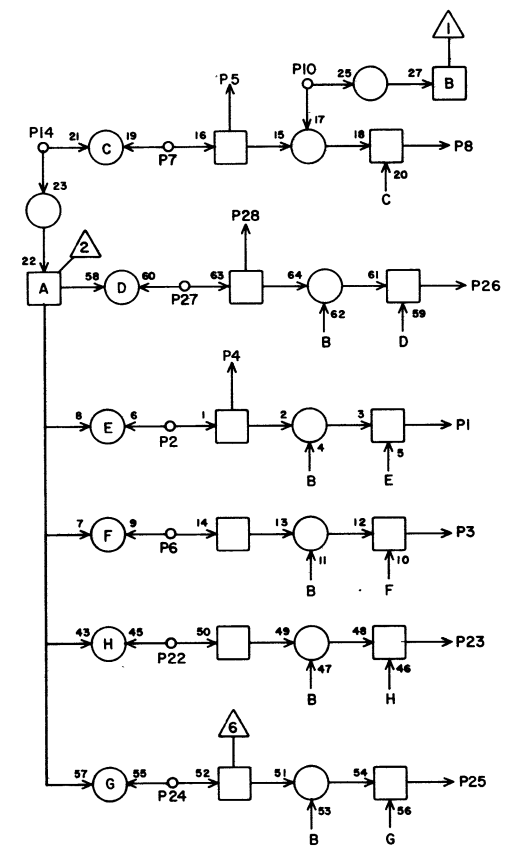
ADD TRUNK (X_j)



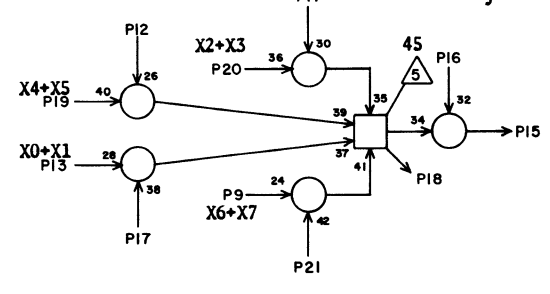
RL 8A35

1	A11	17	25
2	E39	13	19
3	C11	17	27
4	A36	22	5
5	A36	6	3
6	A36	5	5
7	C37	13	13
8	A35	13	3
9	F35	22	23
10	C19	11	19
11	F37	24	23
12	F39	24	23
13	A35	8	3
14	C25	11	15
15	L01	9	51
16	A35	X	2
17	F35	24	23
18			
19	D39	22	15
20	C29	8	13
21	F41	24	23
22	A36	4	5
23			
24	A36	28	3
25	E11	17	29
26	B35	13	5
27	C41	13	13
28	A36	24	3

JACK PIN LG



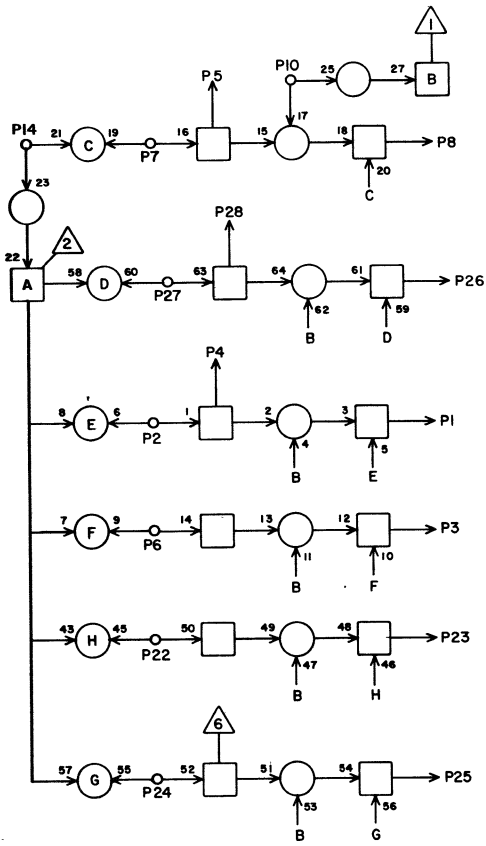
ADD TRUNK (X_j)



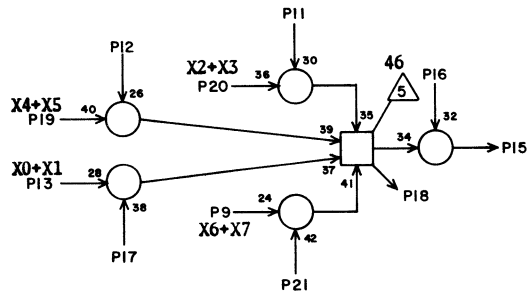
RL 8A36

1			
2			
3	A36	13	3
4	A35	22	5
5	A35	6	5
6	A35	5	3
7	D39	13	15
8	C12	2	25
9	F36	21	23
10	C25	16	17
11	F37	26	23
12	F39	26	23
13	A36	3	3
14	C19	16	21
15	L01	19	53
16	A36	X	2
17	F35	26	23
18			
19	D40	21	15
20	C30	3	13
21	F41	26	23
22	A35	4	5
23	A12	2	25
24	A35	28	3
25	B36	13	7
26	E12	2	27
27	E35	13	17
28	A35	24	3

JACK PIN LG



ADD TRUNK (X_j)



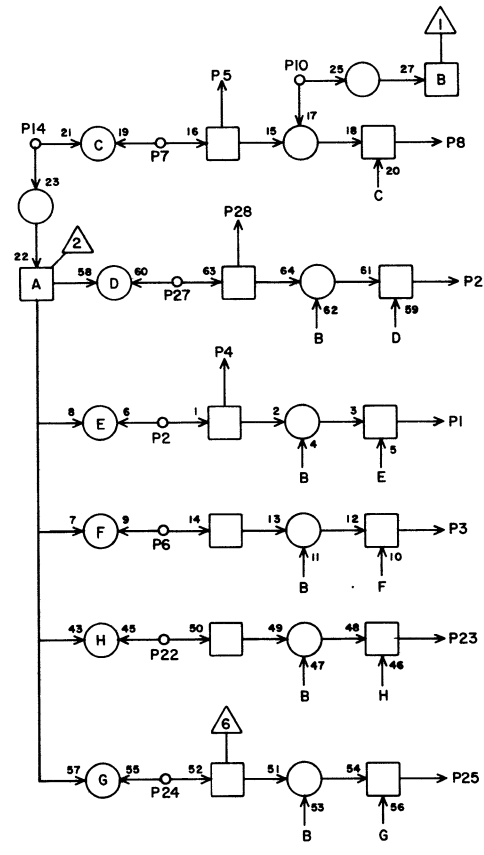
RL

8A37

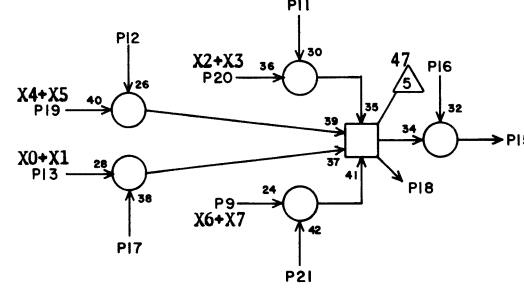
1	A12	26	31
2	E39	14	19
3	C12	26	27
4	A38	22	5
5	A38	6	3
6	A38	5	5
7	C37	14	13
8	A37	13	5
9	F37	22	23
10	C19	26	21
11	F37	27	23
12	F39	27	23
13	A37	8	5
14	C25	26	17
15	L02	9	51
16	A37	X	2
17	F35	27	23
18			
19	D41	22	15
20	C31	8	13
21	F41	27	23
22	A38	4	5
23			
24	A38	28	5
25	E12	26	29
26	B37	13	7
27	C41	14	11
28	A38	24	5

JACK PIN LG

63017200 Rev. E



ADD TRUNK (X_j)



RL

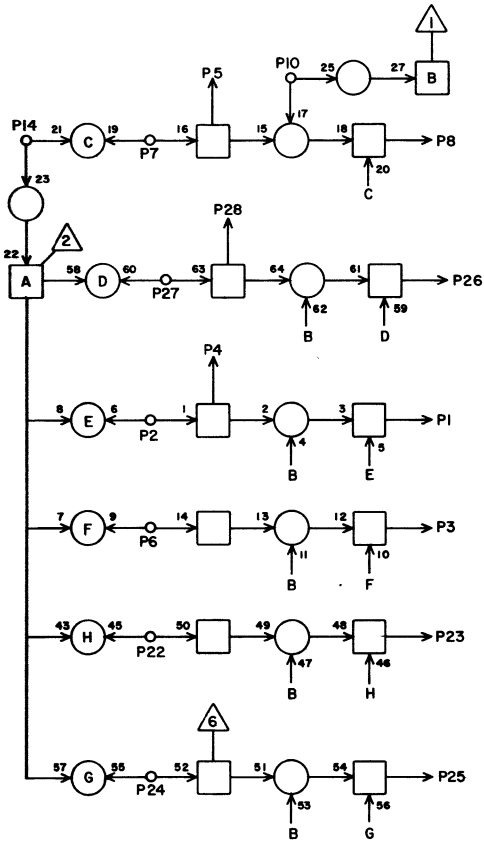
8A38

1			
2			
3	A38	13	5
4	A37	22	5
5	A37	6	5
6	A37	5	3
7	D39	14	15
8	C12	17	27
9	F38	21	23
10	C25	27	17
11	F37	28	23
12	F39	28	23
13	A38	3	5
14	C19	27	23
15	L02	19	53
16	A38	X	2
17	F35	28	23
18			
19	D42	21	15
20	C32	3	13
21	F41	28	23
22	A37	4	5
23	A12	17	25
24	A37	28	5
25	B38	13	7
26	E12	17	31
27	E35	14	17
28	A37	24	5

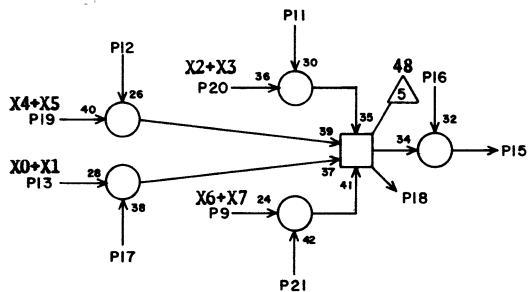
JACK PIN LG

63017200 Rev. E

8A38



ADD TRUNK (X_i)



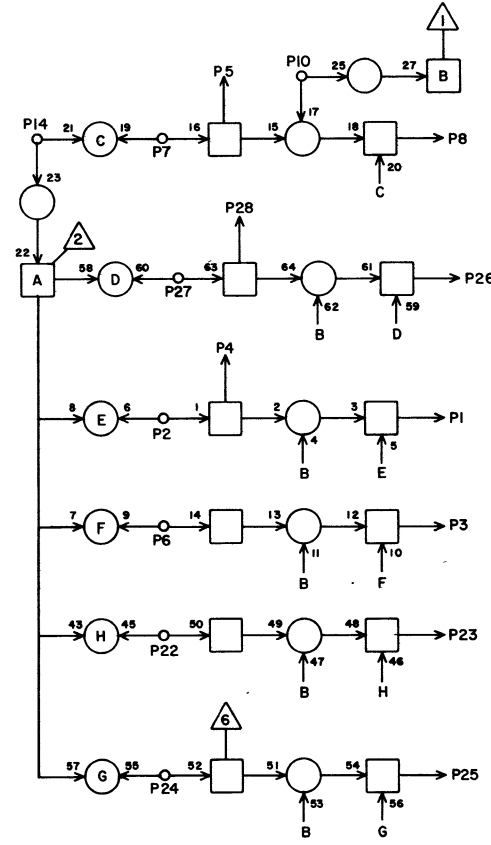
RL

8A39

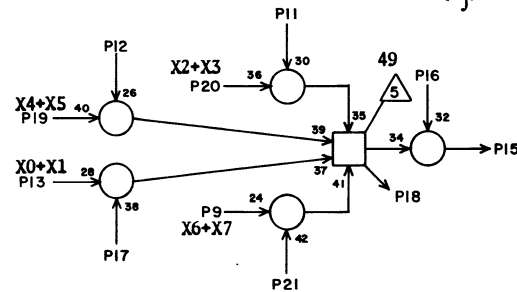
1	B09	2	31
2	E39	15	19
3	D09	2	31
4	A40	22	5
5	A40	6	3
6	A40	5	5
7	C37	15	13
8	A39	13	5
9	F39	22	23
10	C20	11	21
11	F38	1	21
12	F40	1	21
13	A39	8	5
14	C26	11	17
15	L03	7	53
16	D13	27	31
17	F36	1	21
18	J19	28	41
19	E29	22	21
20	C33	8	13
21	F42	1	21
22	A40	4	5
23			
24	A40	28	5
25	F09	2	35
26	B39	13	7
27	C41	15	11
28	A40	24	5

JACK PIN LG

63017200 Rev. E



ADD TRUNK (X_i)



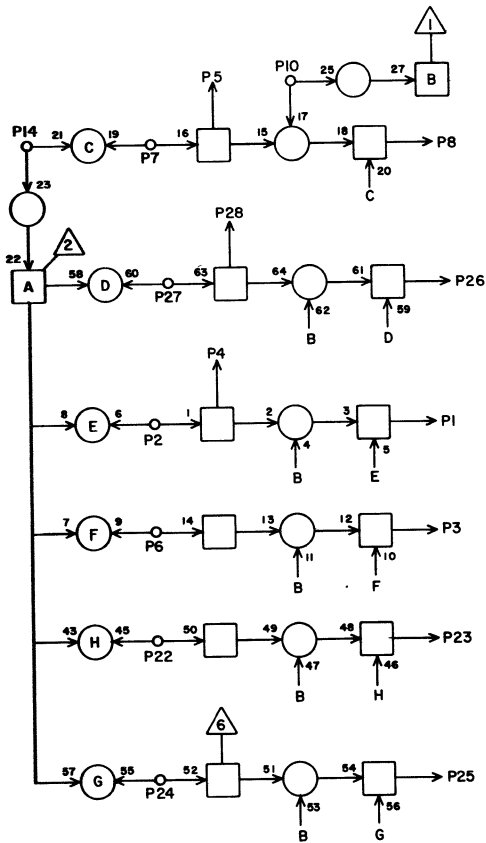
RL

8A40

1			
2			
3	A40	13	5
4	A39	22	5
5	A39	6	5
6	A39	5	3
7	D39	15	15
8	D09	26	33
9	F40	21	23
10	C26	16	19
11	F38	2	21
12	F40	2	21
13	A40	3	5
14	C20	16	21
15	L03	21	53
16	D13	25	31
17	F36	2	21
18	J19	25	41
19	E30	21	21
20	C34	3	13
21	F42	2	21
22	A39	4	5
23	B09	26	31
24	A39	28	5
25	B40	13	7
26	F09	26	35
27	E35	15	19
28	A39	24	5

JACK PIN LG

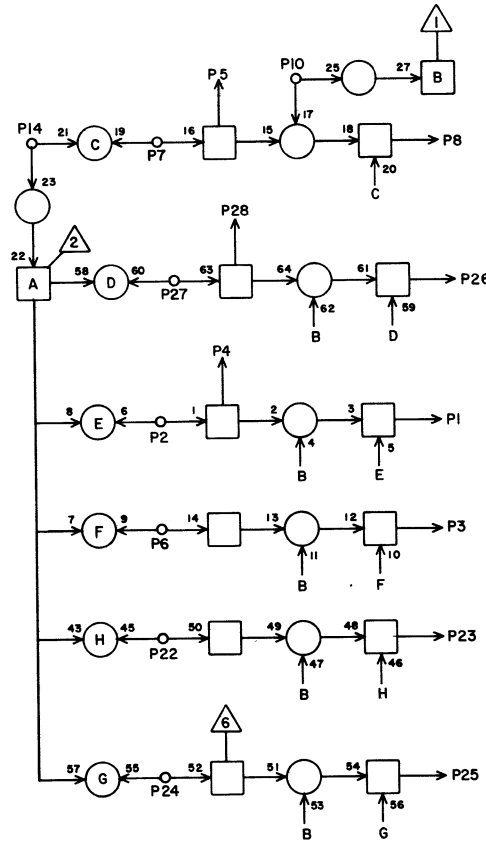
63017200 Rev. E



8A41

RL	JACK	PIN	LG
1	B09	17	31
2	E39	16	19
3	D09	17	33
4	A42	22	5
5	A42	6	3
6	A42	5	5
7	C37	16	13
8	A41	13	5
9	F41	22	23
10	C20	26	25
11	F38	3	21
12	F40	3	21
13	A41	8	5
14	C26	26	19
15	L04	7	53
16	D13	24	31
17	F36	3	21
18	J19	1	41
19	E31	22	21
20	C35	8	13
21	F42	3	21
22	A42	4	5
23			
24	A42	28	5
25	F09	17	37
26	B41	13	7
27	C41	16	11
28	A42	24	5

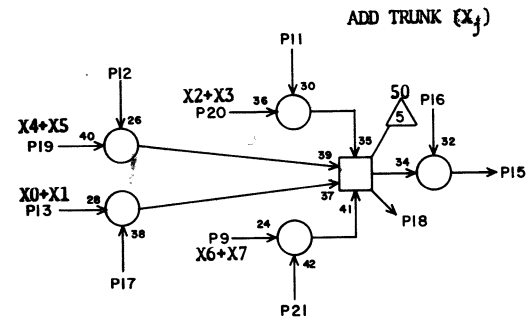
63017200 Rev. E



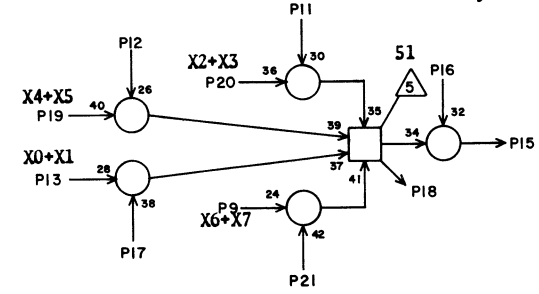
8A42

RL	JACK	PIN	LG
1			
2			
3	A42	13	5
4	A41	22	5
5	A41	6	5
6	A41	5	3
7	D39	16	17
8	D10	2	33
9	F42	21	23
10	C26	27	19
11	F38	5	23
12	F40	5	23
13	A42	3	5
14	C20	27	25
15	L04	21	53
16	D13	23	31
17	F36	5	23
18	J19	4	41
19	E32	21	21
20	C36	3	13
21	F42	5	21
22	A41	4	5
23	B10	2	31
24	A41	28	5
25	B42	13	7
26	F10	2	35
27	E35	16	19
28	A41	24	5

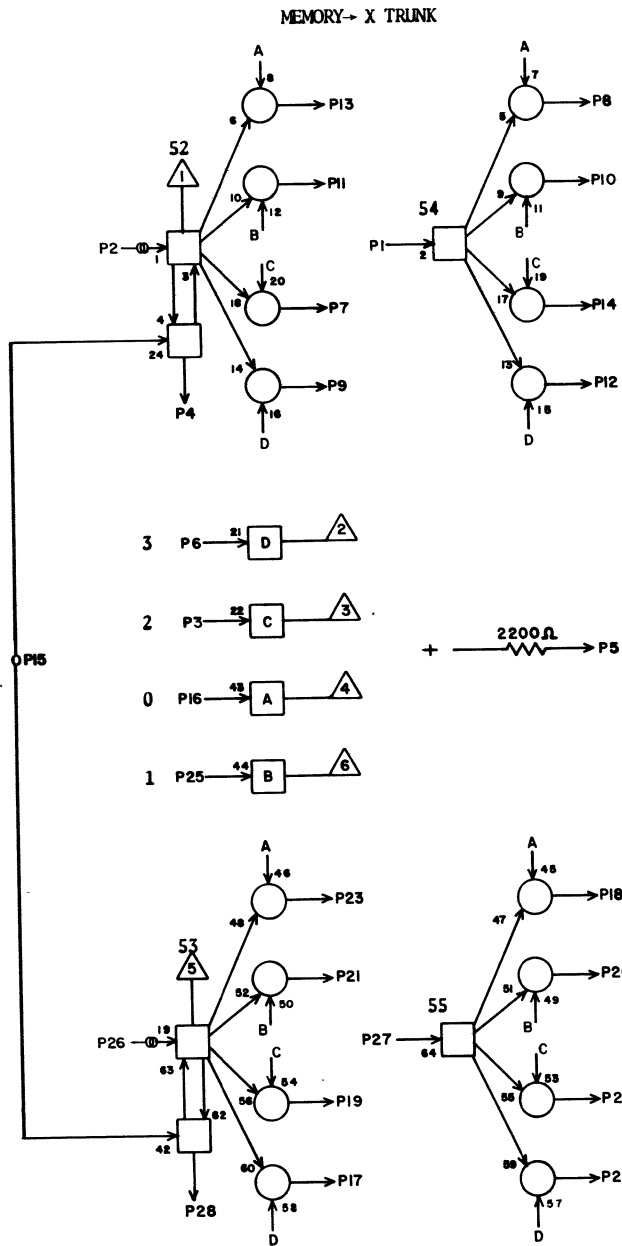
63017200 Rev. E



ADD TRUNK (X₅)

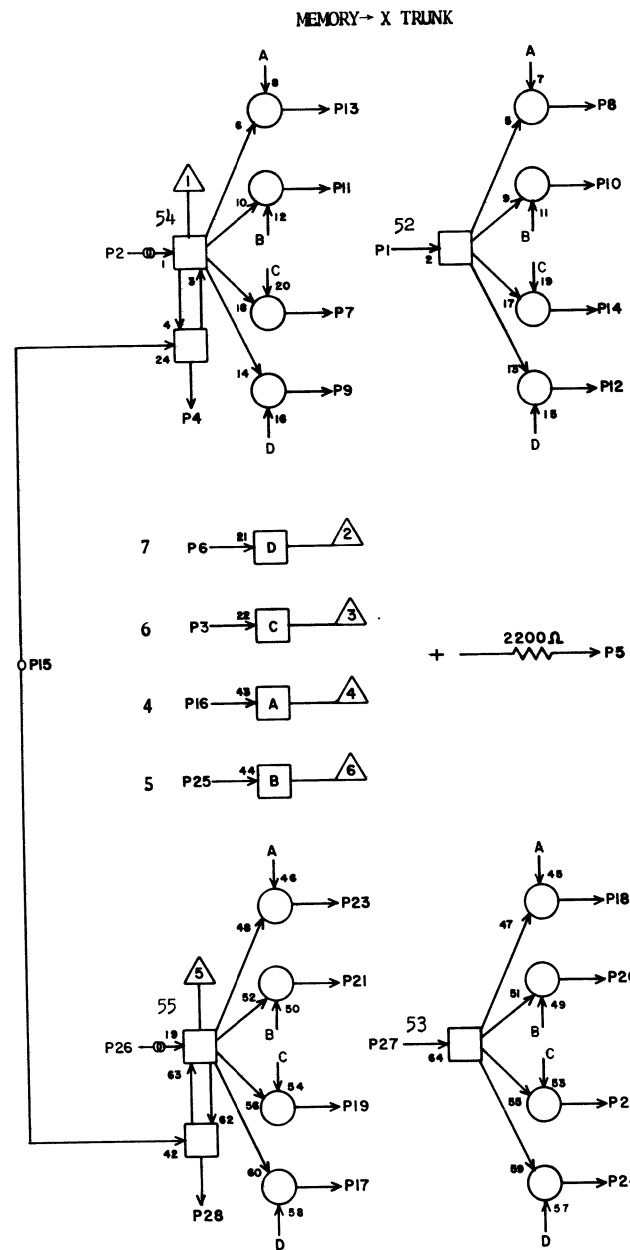


8A42



RA			
8 B01			
1	B02	4	3
2	W06	97	
3	A14	11	15
4	B02	1	5
5			
6	A14	17	15
7	A23	16	23
8	E16	2	21
9	B17	16	17
10	A20	11	21
11	A19	16	19
12	B18	11	19
13	E15	2	19
14	A24	11	25
15	G03	8	21
16	A13	11	15
17	B17	15	17
18	E16	26	21
19	A23	15	23
20	A20	4	21
21	A19	15	19
22	A24	4	25
23	E15	26	21
24	B18	4	19
25	A13	17	15
26	W06	98	
27	B02	28	3
28	B02	27	5
	JACK	PIN	LG

63017200 Rev. E

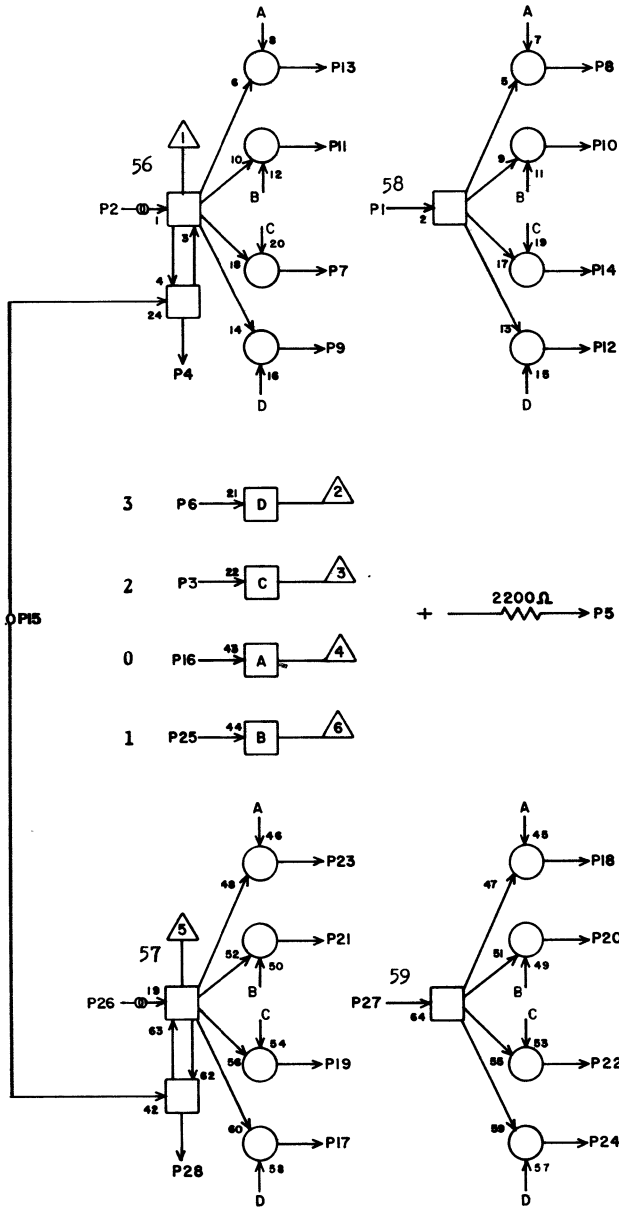


8 B02

RA			
8 B 02			
1	B01	4	5
2	W06	99	
3			
4	B01	1	3
5			
6			
7			
8	B21	16	21
9			
10	B25	16	25
11	B26	11	23
12			
13	B22	11	19
14			
15	G03	10	23
16	B13	11	15
17			
18	B21	15	21
19			
20	B25	15	25
21	B26	4	23
22			
23	B22	4	21
24			
25	B13	17	13
26	W06	900	
27	B01	28	5
28	B01	27	3
	JACK	PIN	LG

63017200 Rev. F

MEMORY → X TRUNK

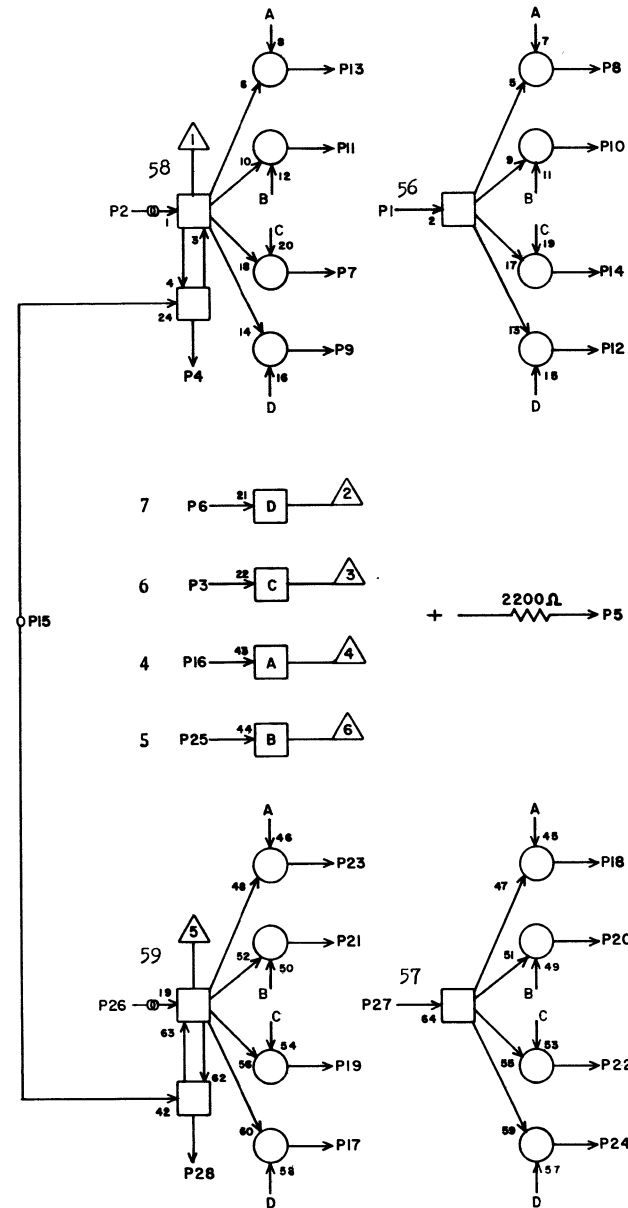


RA 8B 03

1	B04	4	3
2	W06	901	
3	A14	12	15
4	B04	1	5
5			
6	A14	19	15
7	A24	1	23
8	F16	2	23
9	B18	1	17
10	A20	16	19
11	A20	1	19
12	B18	16	17
13	F15	2	21
14	A24	16	23
15	G03	12	23
16	A13	12	15
17	B18	18	17
18	F16	26	23
19	A24	18	23
20	A20	15	19
21	A20	18	19
22	A24	15	23
23	F15	26	23
24	B18	15	17
25	A13	19	13
26	W06	902	
27	B04	28	3
28	B04	27	5

63017200 Rev. E

MEMORY → X TRUNK

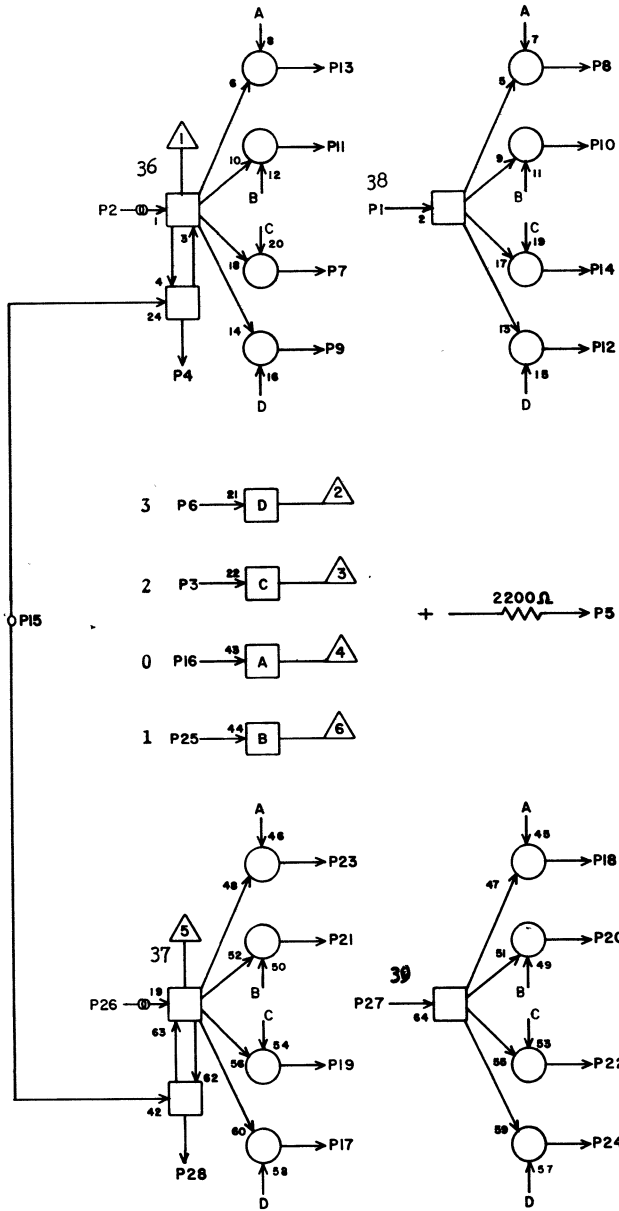


RA 8B 04

1	B03	4	5
2	W06	903	
3			
4	B03	1	3
5			
6			
7			
8	B22	1	19
9			
10	B26	1	23
11	B26	16	23
12			
13	B22	16	19
14			
15	G03	2	21
16	B13	12	13
17			
18	B22	18	19
19			
20	B26	18	21
21	B26	15	21
22			
23	B22	15	19
24			
25	B13	19	13
26	W06	901	
27	B03	28	3
28	B03	27	5

63017200 Rev. E

MULTIPLY TRUNK (X_i)



RA

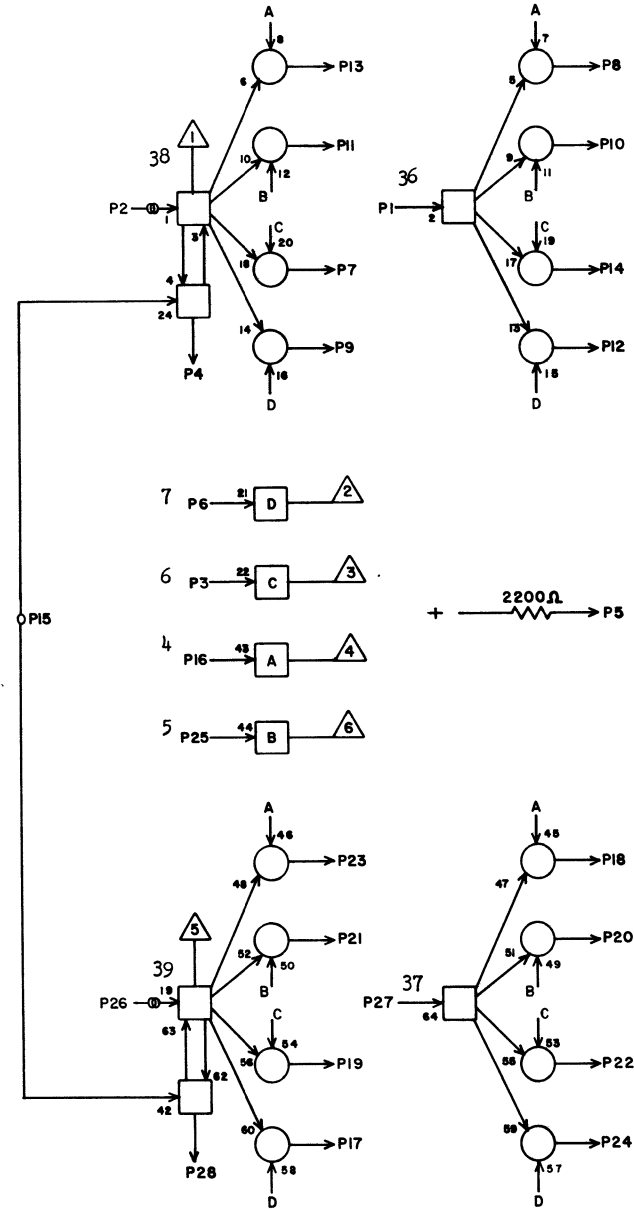
8B 05

1	B06	4	3
2	W08	90	
3	C14	3	13
4	B06	1	5
5			
6	C14	15	13
7	D17	1	17
8	C17	20	15
9	D23	1	21
10	C23	20	21
11	C23	1	21
12	D23	20	21
13	C17	1	15
14	D17	20	17
15	G03	25	23
16	C13	3	11
17	D23	12	21
18	C17	19	15
19	D17	12	17
20	C23	19	19
21	C23	12	19
22	D17	19	17
23	C17	12	15
24	D23	19	21
25	C13	15	11
26	W08	91	
27	B06	28	3
28	B06	27	5

JACK PIN LG

63017200 Rev. E

MULTIPLY TRUNK (X_i)



RA

8B 06

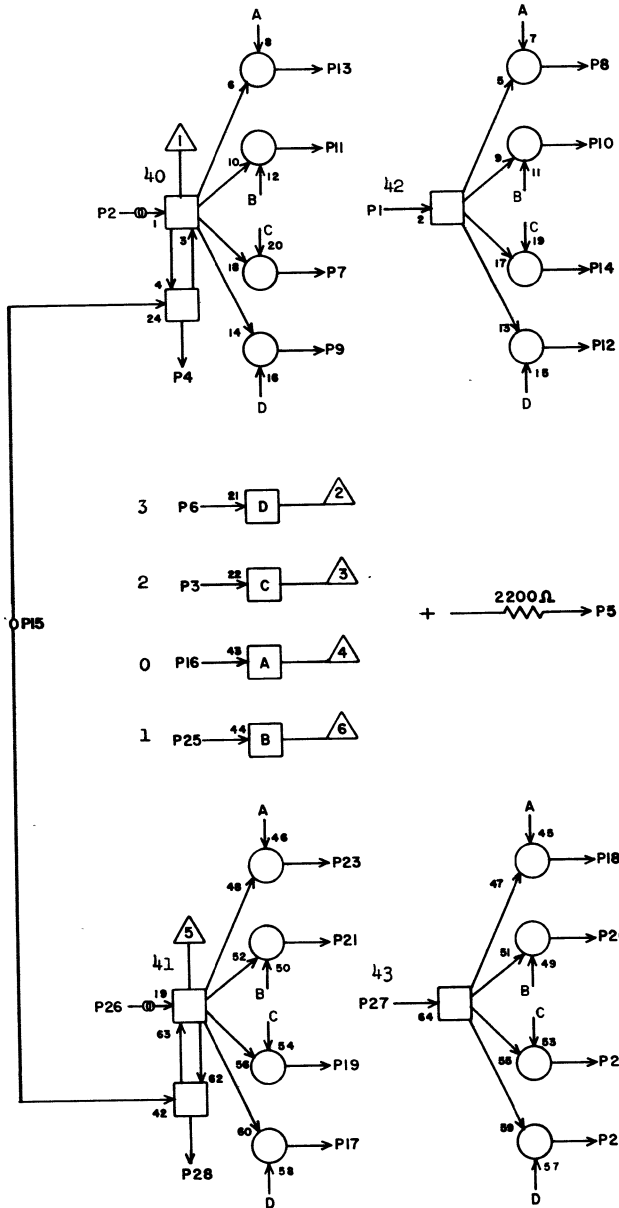
1	B05	4	5
2	W08	92	
3	D14	3	13
4	B05	1	3
5			
6	D14	15	15
7	F17	26	21
8	E17	1	17
9	F23	26	25
10	E23	1	23
11	E23	26	21
12	F23	1	25
13	E17	26	17
14	F17	1	21
15	G03	23	23
16	D13	3	13
17	F23	27	23
18	E17	2	17
19	F17	27	21
20	E23	2	23
21	E23	27	23
22	F17	2	21
23	E17	27	17
24	F23	2	25
25	D13	15	13
26	W08	93	
27	B05	28	5
28	B05	27	3

JACK PIN LG

63017200 Rev. E

8B06

MULTIPLY TRUNK (X_i)



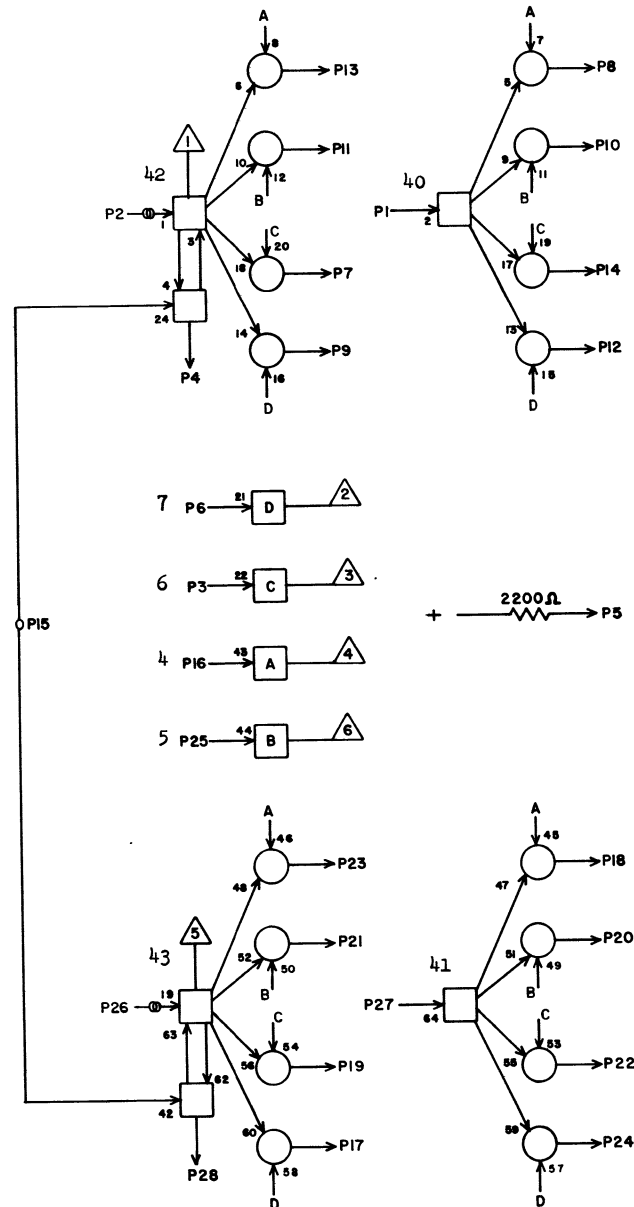
RA

8B 07

1	BO8	4	3
2	WO8	94	
3	C14	5	11
4	BO8	1	5
5			
6	C14	18	13
7	D18	1	15
8	C18	20	15
9	D24	1	19
10	C24	20	19
11	C24	1	19
12	D24	20	21
13	C18	1	13
14	D18	20	17
15	G03	26	23
16	C13	5	11
17	D24	12	19
18	C18	19	15
19	D18	12	15
20	C24	19	19
21	C24	12	19
22	D18	19	17
23	C18	12	15
24	D24	19	21
25	C13	18	9
26	WO8	95	
27	BO8	28	3
28	BO8	27	5
	JACK	PIN	LG

63017200 Rev. E

MULTIPLY TRUNK (X_i)



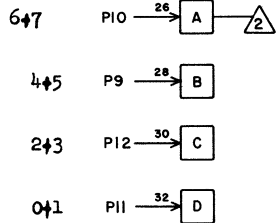
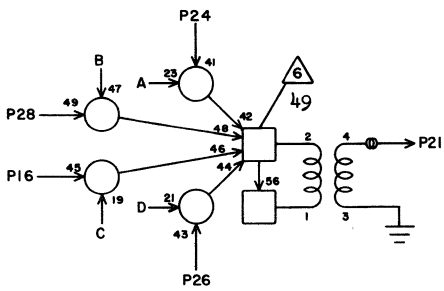
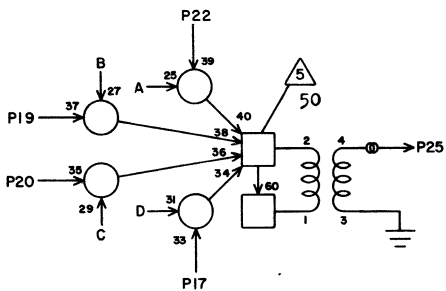
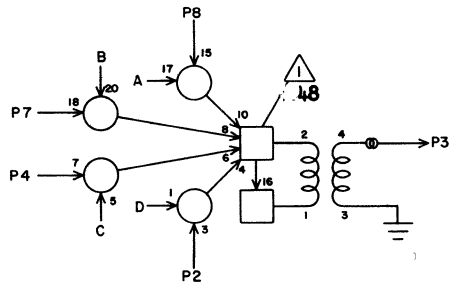
RA

8B 08

1	BO7	4	5
2	WO8	96	
3	D14	5	13
4	BO7	1	3
5			
6	D14	18	15
7	F18	26	21
8	E18	1	19
9	F24	26	23
10	E24	1	23
11	E24	26	21
12	F24	1	25
13	E18	26	17
14	F18	1	21
15	G03	24	23
16	D13	5	13
17	F24	27	23
18	E18	2	19
19	F18	27	21
20	E24	2	21
21	E24	27	21
22	F18	2	21
23	E18	27	17
24	F24	2	23
25	D13	18	13
26	WO8	97	
27	BO7	28	5
28	BO7	27	3
	JACK	PIN	LG

63017200 Rev. F

X → MEMORY TRUNK

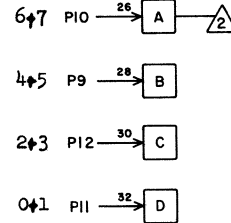
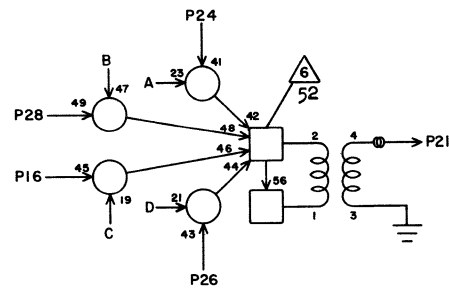
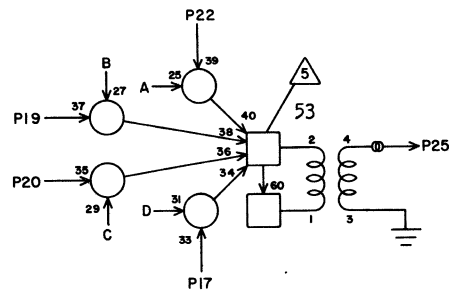
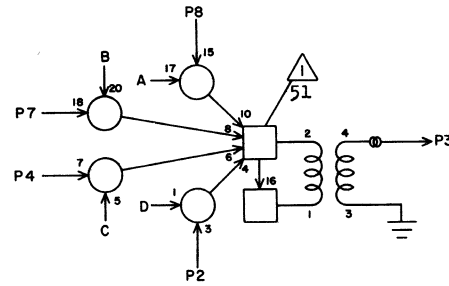


RG 8B 09

1			
2	A39	1	29
3	W11	903	
4	C33	1	25
5			
6			
7	E29	18	25
8	F39	18	33
9	E30	13	25
10	E29	13	25
11	E32	13	27
12	E31	13	27
13			
14			
15			
16	C34	23	25
17	A41	1	31
18			
19	E31	18	27
20	C35	1	25
21	W11	904	
22	F41	18	35
23			
24	F40	18	33
25	W11	905	
26	A40	23	31
27			
28	E30	18	25

JACK PIN LG

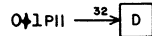
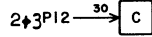
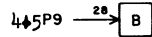
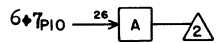
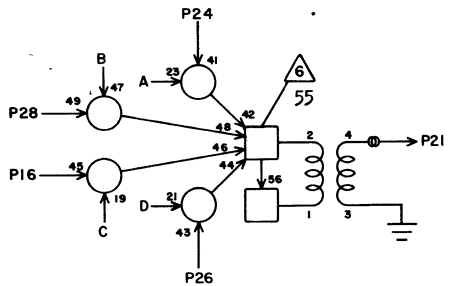
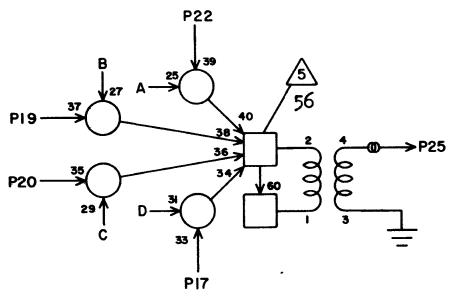
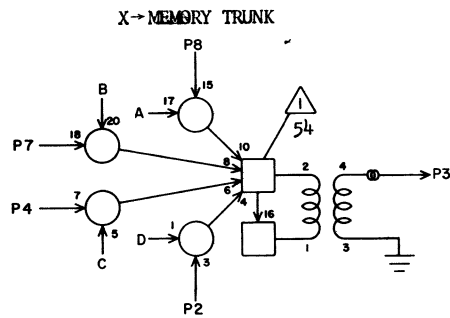
X → MEMORY TRUNK



RG 8B 10

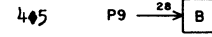
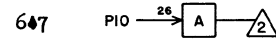
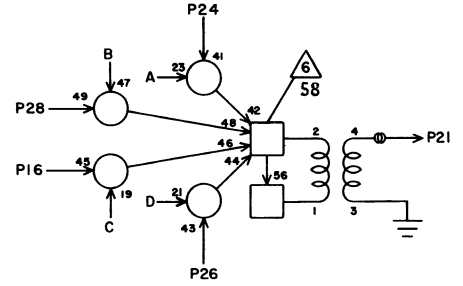
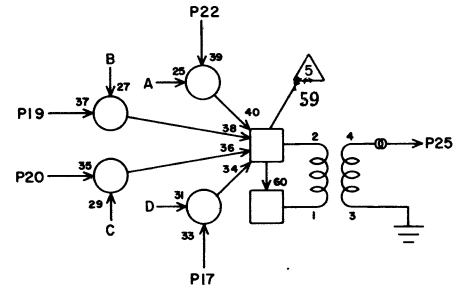
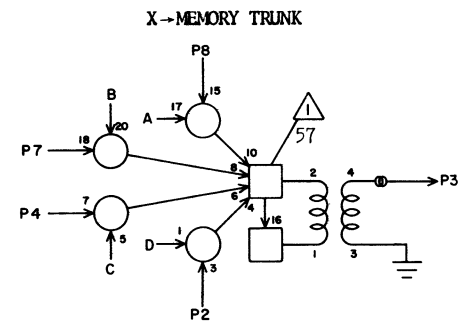
1			
2	A42	23	31
3	W11	906	
4	C36	1	27
5			
6			
7	E32	18	25
8	F42	18	35
9	E30	14	25
10	E29	14	23
11	E32	14	25
12	E31	14	25
13			
14			
15			
16	C37	18	27
17	B28	23	19
18			
19	E34	18	27
20	C38	18	29
21	W11	907	
22	G36	18	33
23			
24	G35	18	31
25	W11	90	
26	B27	1	25
27			
28	E33	18	31

JACK PIN LG



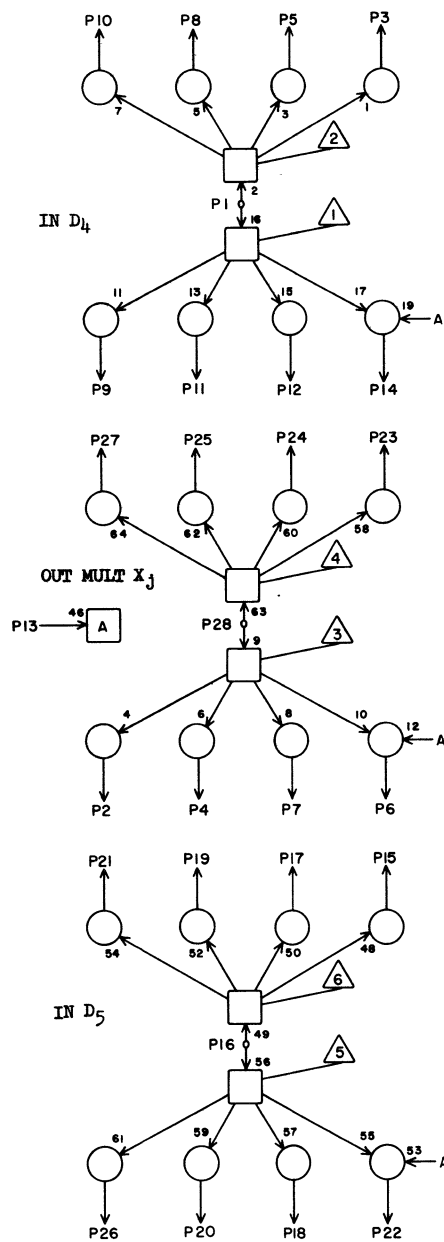
RG		8B 11	
JACK	PIN	LG	
1			
2	B29	1	19
3	W11	91	
4	C39	18	29
5			
6			
7	E35	18	31
8	G37	18	33
9	E30	15	23
10	E29	15	23
11	E32	15	25
12	E31	15	25
13			
14			
15			
16	C40	18	29
17	B31	1	21
18			
19	E37	18	29
20	C41	18	29
21	W11	92	
22	G39	18	33
23			
24	G38	18	33
25	W11	93	
26	B30	23	21
27			
28	E36	18	27

63017200 Rev. P



RG		8B 12	
JACK	PIN	LG	
1			
2	B32	23	21
3	W11	94	
4	C42	18	29
5			
6			
7	E38	18	29
8	G40	18	35
9	E30	16	23
10	E29	16	23
11	E32	16	25
12	E31	16	23
13			
14			
15			
16	D29	1	23
17	B34	23	23
18			
19	E40	18	31
20	D30	23	23
21	W11	95	
22	G42	18	35
23	W11	96	
24	G41	18	33
25	W11	96	
26	B33	1	29
27			
28	E39	18	29

63017200 Rev. E

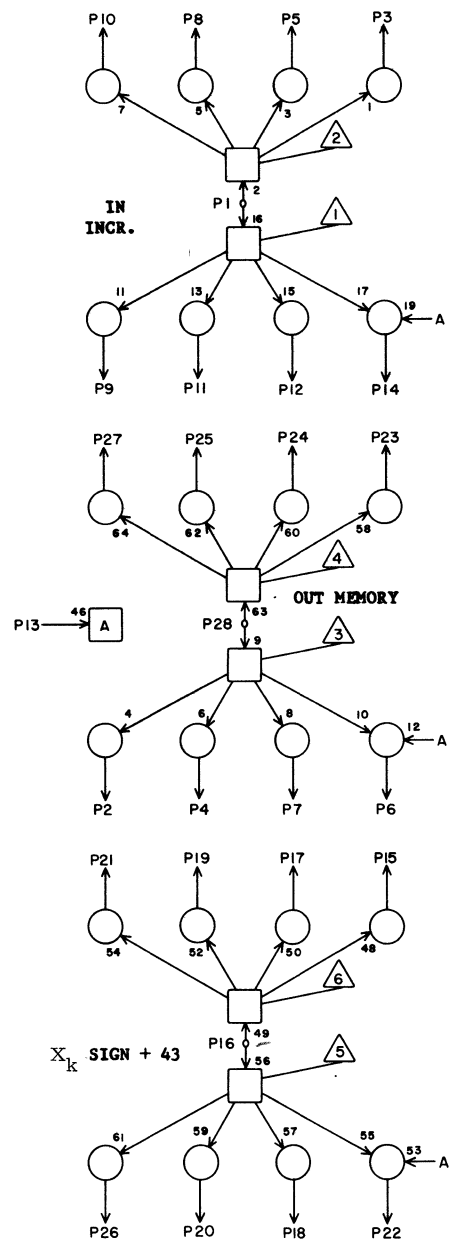


HF 8B 13

1	B19	26	9
2	D39	12	27
3	A02	16	15
4	D40	12	29
5	A04	16	13
6			
7	D41	12	29
8	A06	16	11
9	A08	16	9
10			
11	B02	16	15
12	B04	16	13
13			
14			
15	A02	25	15
16	B20	26	9
17	B02	25	13
18	A04	25	13
19	B04	25	13
20	A06	25	11
21	A08	25	9
22			
23	D42	12	29
24			
25			
26			
27			
28	F02	9	21

JACK PIN LG

63017200 Rev. E



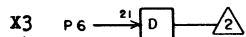
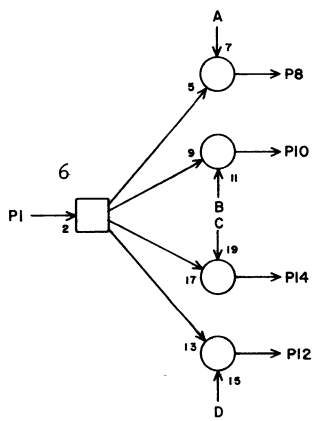
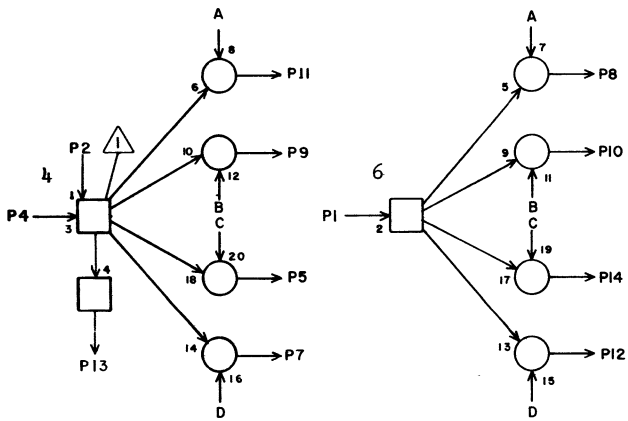
HF 8B14

1	E06	5	19
2	E39	12	29
3	E06	16	19
4	E40	12	29
5	E06	25	19
6			
7	E41	12	29
8	E06	3	17
9	E06	6	17
10			
11			
12			
13	A08	5	9
14			
15	P25	19	55
16	I19	13	31
17	I24	12	31
18	L18	3	45
19	L18	14	45
20	I24	3	31
21	I24	4	31
22	L17	14	45
23	E42	12	29
24	C36	2	180
25	D36	2	180
26	L19	16	45
27			
28	G02	12	25

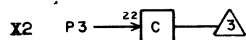
JACK PIN LG

63017200 Rev. K

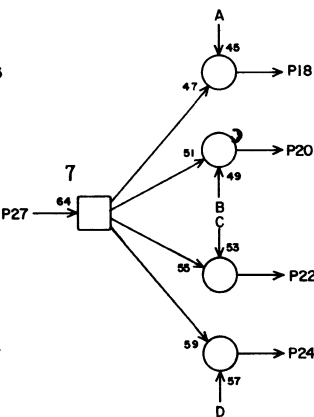
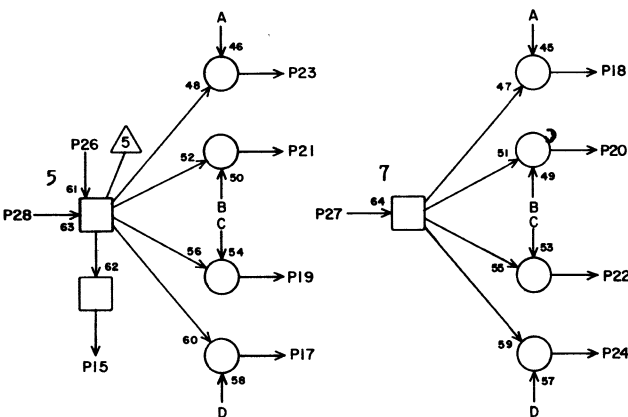
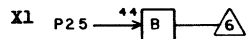
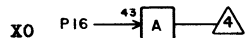
8B14



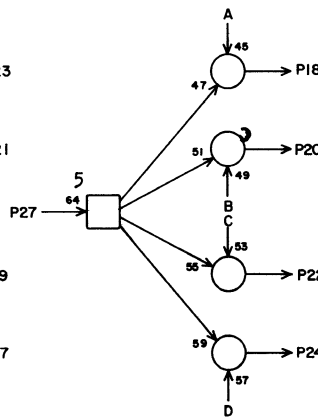
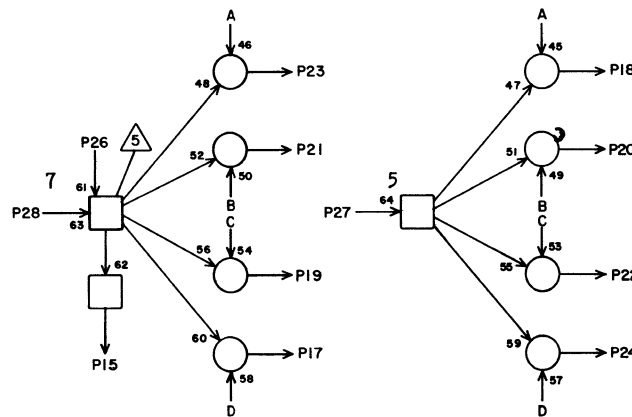
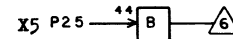
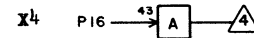
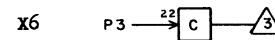
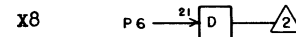
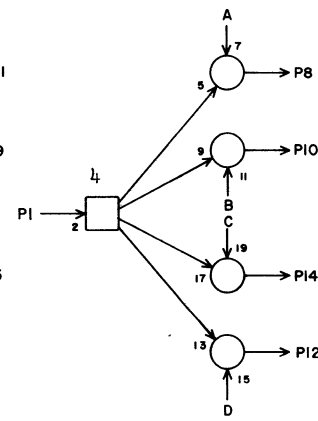
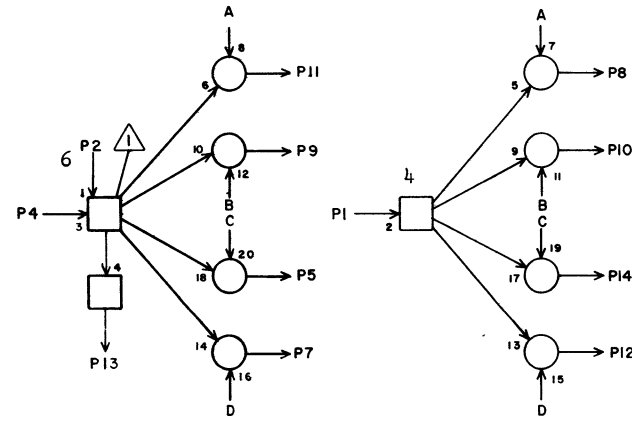
Incr (mem) X



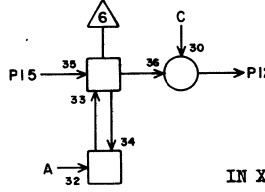
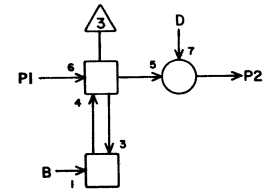
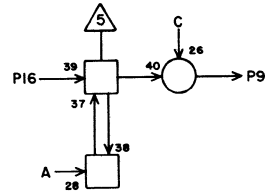
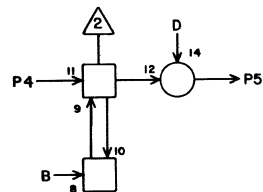
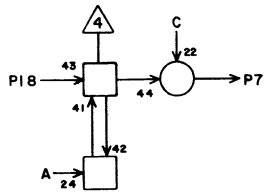
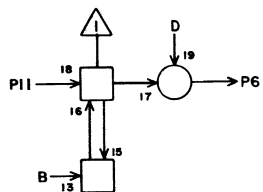
4-7



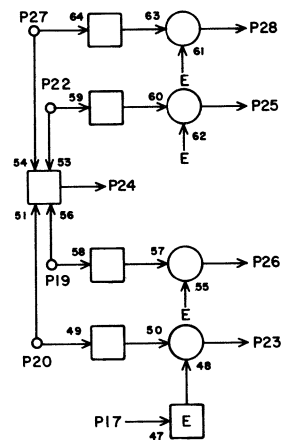
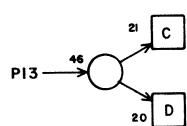
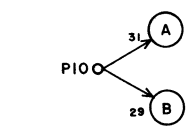
RC			
8B 15			
1	B16	13	5
2	A03	13	15
3	F06	4	21
4	E06	8	17
5	D18	9	13
6	F08	4	21
7	D24	9	15
8	C18	24	9
9	C24	9	13
10	C24	24	13
11	C18	9	9
12	D24	24	15
13	B16	1	5
14	D18	24	13
15	B16	27	5
16	F06	5	19
17	D24	15	15
18	C18	23	9
19	D18	15	11
20	C24	23	13
21	C24	15	13
22	D18	23	13
23	C18	15	7
24	D24	23	15
25	F06	18	21
26	A03	23	15
27	B16	15	5
28	E06	10	17
	JACK	PIN	LG



RC			
8B 16			
1	B15	13	5
2	A03	8	15
3	E08	5	17
4	E06	14	19
5	F18	24	19
6	E08	18	17
7	F24	24	21
8	E18	5	17
9	E24	24	17
10	E24	5	17
11	E18	24	15
12	F24	5	21
13	B15	1	5
14	F18	5	19
15	B15	27	5
16	F08	5	19
17	F24	23	19
18	E18	6	15
19	F18	23	19
20	E24	6	17
21	E24	23	17
22	F18	6	19
23	E18	23	15
24	F24	6	19
25	F08	18	19
26	A03	18	17
27	B15	15	5
28	E06	12	17
	JACK	PIN	LG



IN X 6



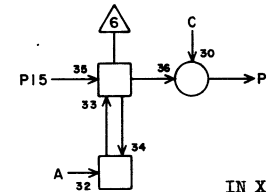
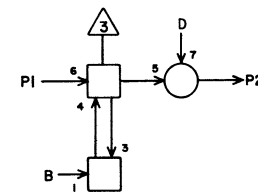
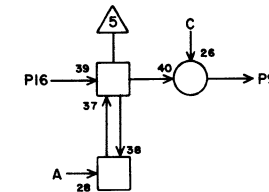
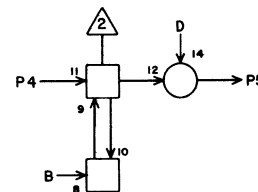
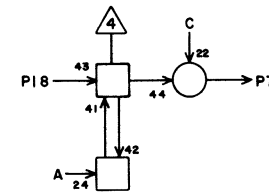
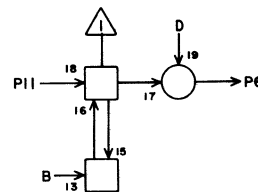
RE

8B 17

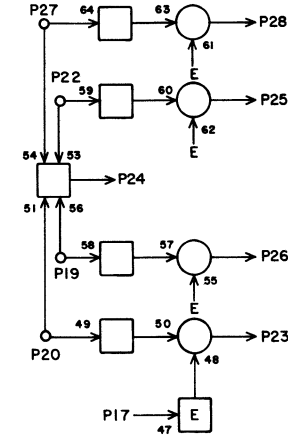
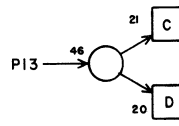
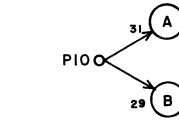
1	A07	12	13
2	D26	28	17
3			
4	A07	17	13
5	D26	17	15
6	D26	13	15
7	D26	25	15
8			
9	D27	13	15
10	D25	6	15
11	A07	9	13
12	D27	17	15
13	G14	6	23
14			
15	B01	17	17
16	B01	9	17
17	G12	18	23
18	A07	24	13
19	G07	10	23
20	G06	10	23
21			
22	G08	10	23
23	D14	1	11
24	G24	5	23
25	E08	1	17
26	F14	1	17
27			
28			

JACK PIN LG

63017200 Rev. E



IN X 7



RE

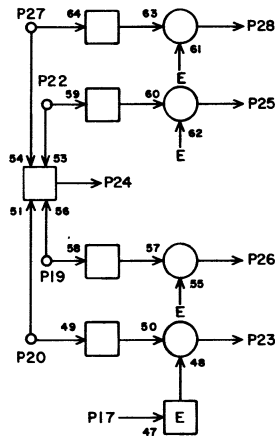
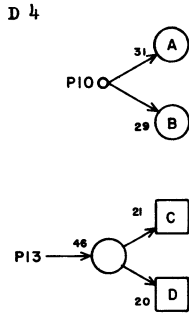
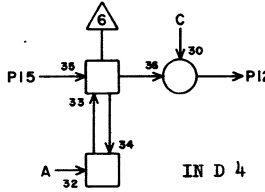
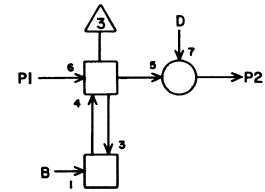
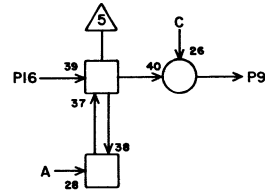
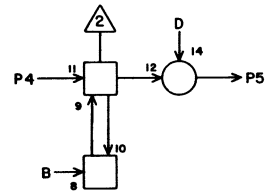
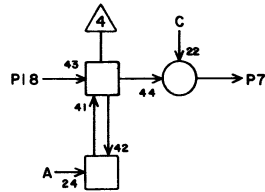
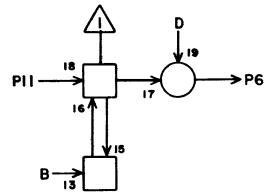
8B 18

1	B03	9	17
2	D28	13	17
3			
4	B01	24	19
5	D27	25	15
6	D27	28	17
7	D28	17	15
8			
9	D28	28	17
10	D25	4	15
11	B01	12	19
12	D28	25	17
13	G14	4	23
14			
15	B03	24	17
16	B03	12	17
17	G12	28	25
18	B03	17	17
19	G07	14	25
20	G06	14	25
21			
22	G08	14	23
23	D14	16	13
24	G24	23	23
25	E08	16	17
26	F14	16	19
27			
28			

JACK PIN LG

63017200 Rev. E

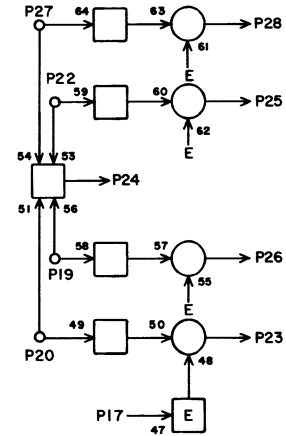
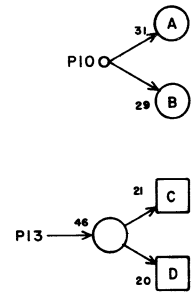
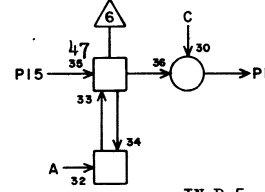
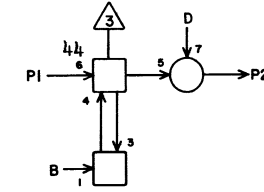
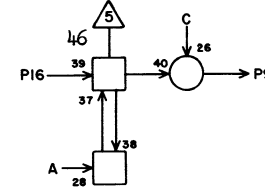
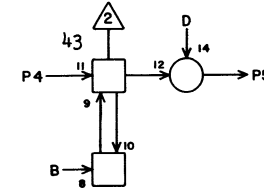
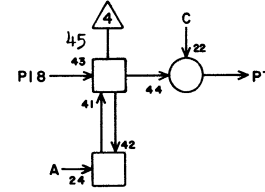
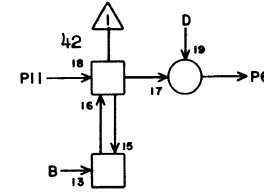
8B18



RE 8 B 19

1	A02	13	19
2	E17	28	17
3			
4	A02	18	19
5	E17	8	17
6	E17	7	15
7	E17	25	17
8			
9	E18	7	15
10	D24	10	15
11	A02	8	19
12	E18	8	15
13	G14	25	23
14			
15	A04	18	17
16	A04	8	19
17	H 7	21	29
18	A02	23	19
19	G05	13	25
20			
21			
22			
23			
24	D24	5	13
25			
26	B13	1	9
27			
28			

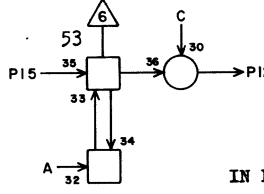
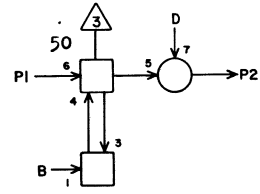
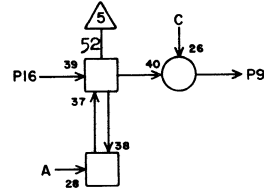
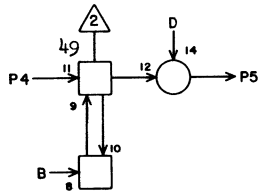
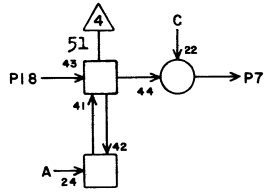
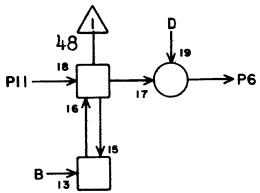
JACK PIN LG



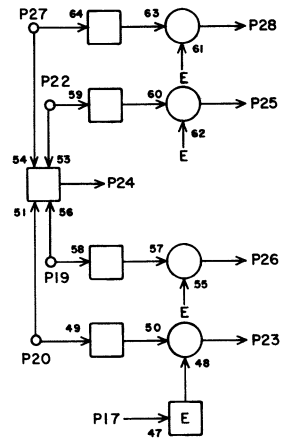
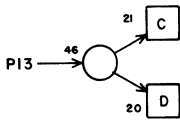
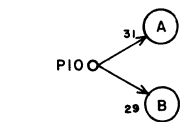
RE 8 B 20

1	A06	8	17
2	E19	7	15
3			
4	A04	23	17
5	E18	25	17
6	E18	28	17
7	E19	8	15
8			
9	E19	28	17
10	D24	8	13
11	A04	13	17
12	E19	25	17
13	G14	23	23
14			
15	A06	23	17
16	A06	13	17
17	H 7	23	29
18	A06	18	17
19	G05	11	25
20			
21			
22			
23			
24	D23	5	13
25			
26	B13	16	9
27			
28			

JACK PIN LG



IN LONG ADD

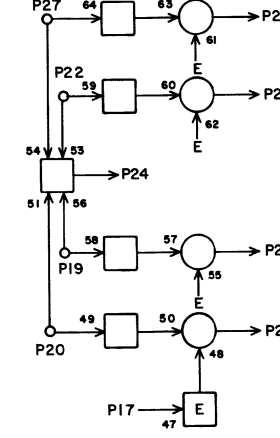
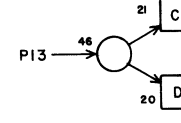
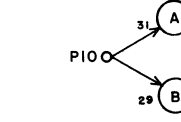
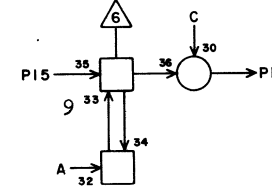
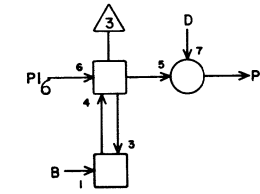
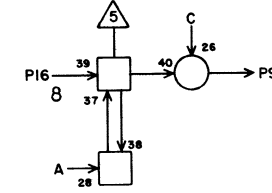
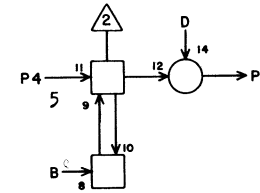
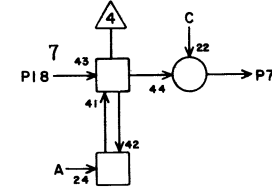
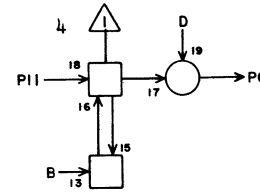


RE 8B 21

1	A08	13	15
2	E20	28	17
3			
4	A08	18	15
5	E20	8	17
6	E20	7	15
7	E20	25	17
8			
9	E21	7	15
10	D24	6	13
11	A08	8	17
12	E21	8	15
13	G14	26	25
14			
15	B02	18	21
16	B02	8	21
17	H26	28	14
18	A08	23	15
19			
20	J23	4	33
21			
22			
23	I26	12	8
24			
25			
26			
27			
28			

JACK PIN LG

63017200 Rev. N.



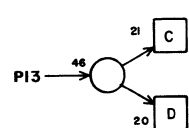
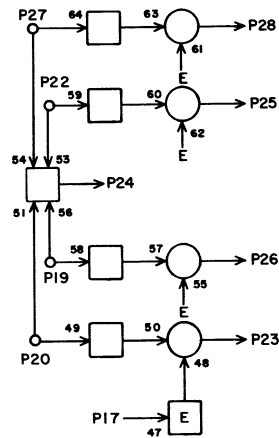
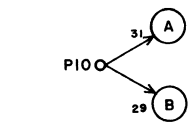
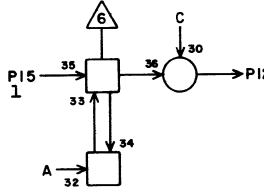
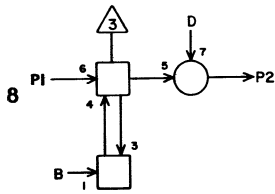
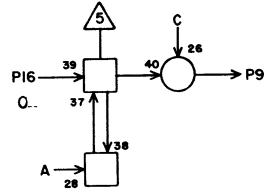
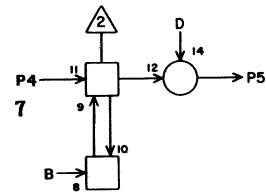
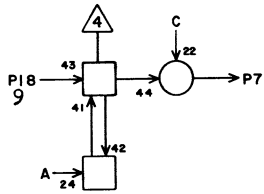
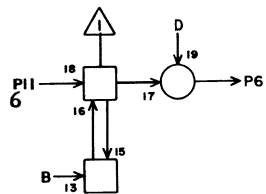
RE 8B22

1	B04	8	19
2	G22	7	17
3			
4	B02	23	21
5	E21	25	17
6	E21	28	17
7	E22	8	15
8			
9	E22	28	17
10	D24	4	13
11	B02	13	19
12	E22	25	17
13	G14	24	25
14			
15	B04	23	19
16	B04	13	19
17			
18	B04	18	19
19	H10	24	96
20			
21			
22			
23			
24	H 7	26	31
25			
26			
27			
28			

JACK PIN LG

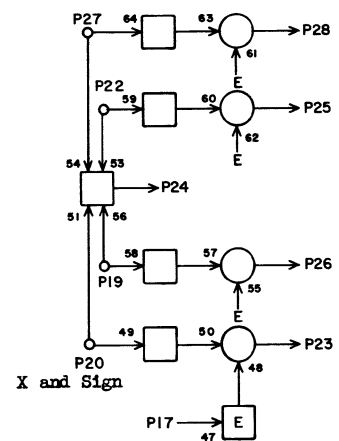
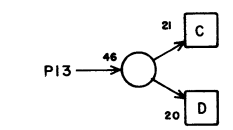
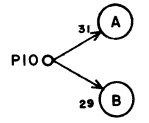
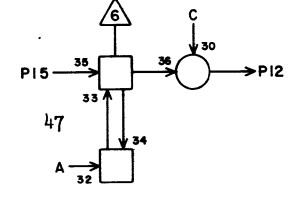
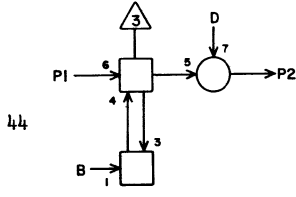
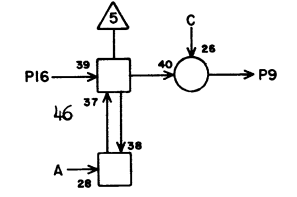
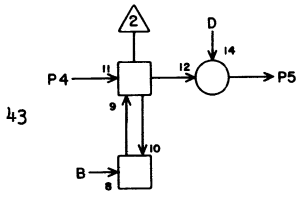
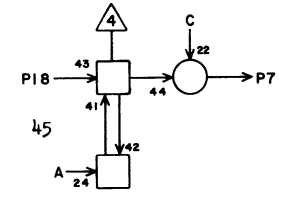
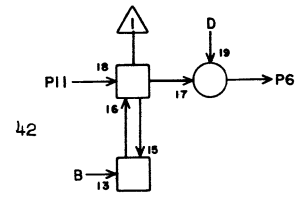
8B22

63017200 Rev. E



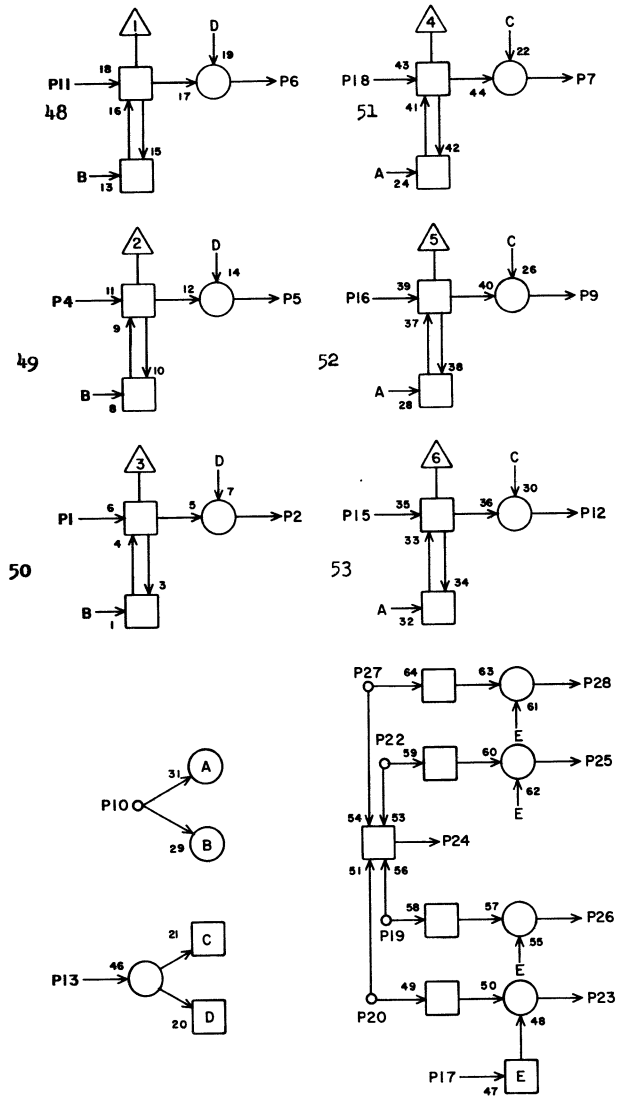
RE 8 B23

1	A02	11	23
2	E23	28	17
3			
4	A02	20	23
5	E23	8	17
6	E23	7	15
7	E23	25	17
8			
9	E24	7	15
10	D23	2	13
11	A02	10	23
12	E24	8	15
13	G15	15	23
14			
15	A04	20	23
16	A04	10	23
17	J18	24	96
18	A02	21	23
19			
20	J23	27	35
21			
22			
23	F19	14	19
24	G33	10	25
25			
26			
27			
28			
	JACK	PIN	LG



RE 8 B24

1	A06	10	19
2	E25	7	17
3			
4	A04	21	21
5	E24	25	17
6	E24	28	17
7	E25	8	17
8			
9	E25	28	17
10	D23	4	13
11	A04	11	21
12	E25	25	17
13	G15	7	23
14			
15	A06	21	19
16	A06	11	19
17	G34	26	39
18	A06	20	19
19	J03	22	41
20	J18	13	35
21			
22			
23	I19	7	29
24			
25			
26	I19	14	29
27			
28			
	JACK	PIN	LG

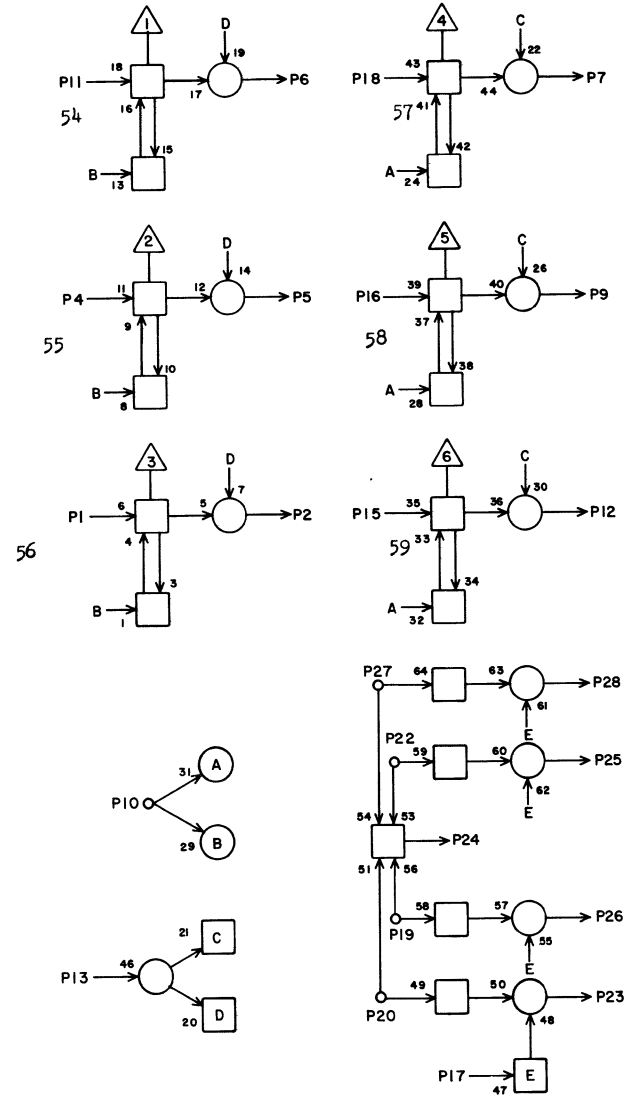


RE 8B25

1	A08	11	19
2	E26	28	17
3			
4	A08	20	19
5	E26	8	17
6	E26	7	15
7	E26	25	17
8			
9	E27	7	15
10	D23	6	13
11	A08	10	19
12	E27	8	15
13	G15	6	23
14			
15	B02	20	25
16	B02	10	25
17			
18	A08	21	19
19			
20	J23	6	33
21			
22			
23			
24	E28	14	15
25			
26			
27			
28			

JACK PIN LG

63017200 Rev. E



RE 8B26

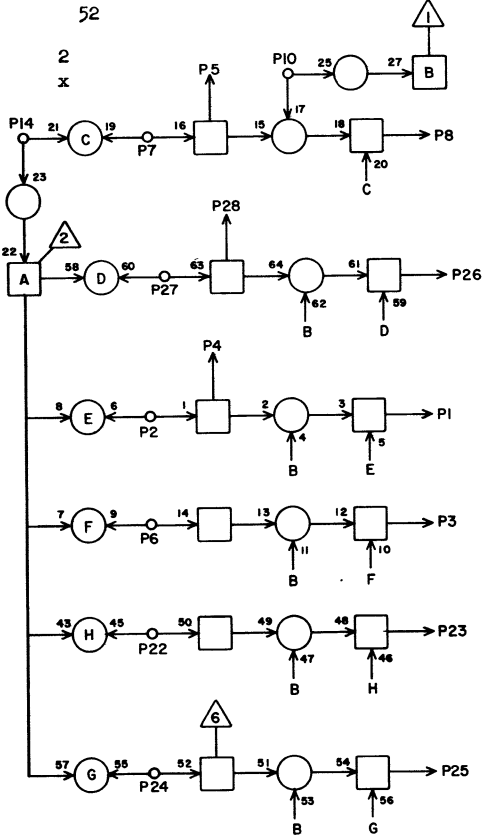
1	B04	10	23
2	E28	7	17
3			
4	B02	21	23
5	E27	25	17
6	E27	28	17
7	E28	8	17
8			
9	E28	28	17
10	D23	8	13
11	B02	11	23
12	E28	25	17
13	G15	4	25
14			
15	B04	21	21
16	B04	11	23
17	O30	23	49
18	B04	20	21
19			
20	L29	26	39
21			
22			
23	K42	4	39
24			
25			
26			
27			
28			

JACK PIN LG

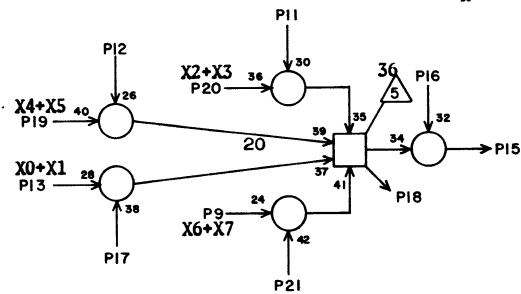
63017200 Rev. AB

8B26

1
x



ADD TRUNK (X_k)



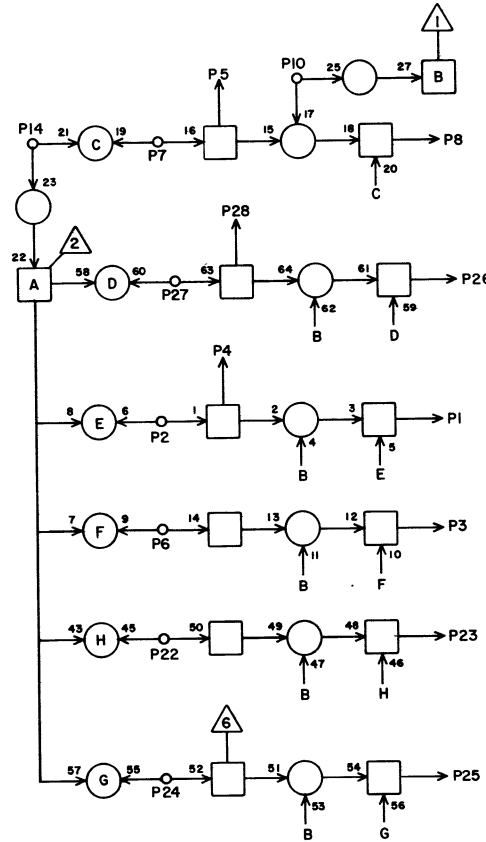
RL B27

1	B10	26	25
2	B39	24	21
3	D10	26	21
4	B28	22	5
5	B28	6	3
6	B28	5	5
7	C37	24	13
8	C29	13	9
9	E41	7	19
10	C21	11	11
11	G37	1	23
12	G39	1	25
13	A27	26	7
14	C27	11	7
15	K08	8	39
16	B27	x	2
17	G35	1	23
18			
19	D31	26	13
20	B35	26	11
21	G41	1	25
22	B28	4	5
23			
24	B28	28	5
25	F10	26	25
26	D29	13	11
27	C41	24	17
28	B28	24	5
	JACK	PIN	LG

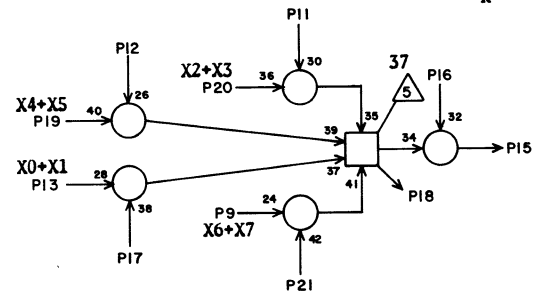
63017200 Rev. E

RL

B28

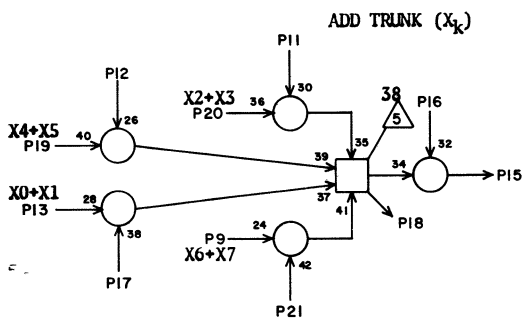
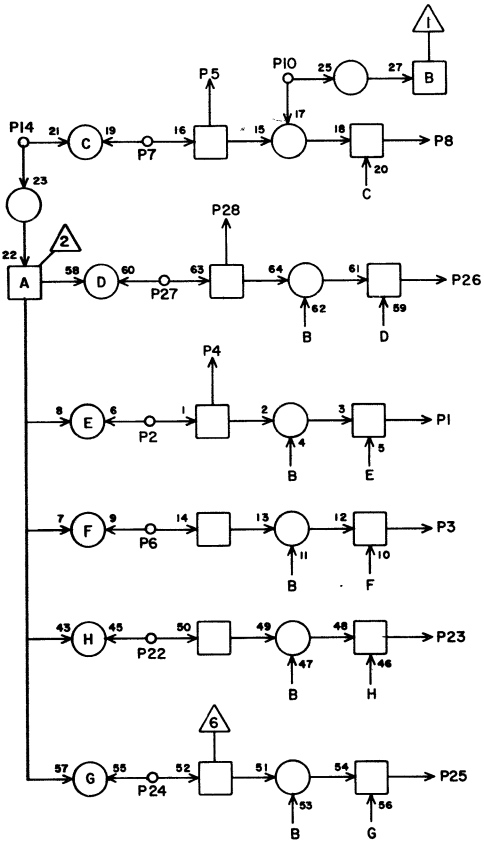


ADD TRUNK (X_k)



1			
2			
3	C30	13	9
4	B27	22	5
5	B27	6	5
6	B27	5	3
7	D39	24	17
8	D10	17	21
9	E42	8	19
10	C27	16	7
11	G37	2	23
12	G39	2	23
13	A28	25	5
14	C21	16	11
15	K08	26	41
16	B28	x	2
17	G35	2	23
18			
19	D32	25	13
20	B36	25	11
21	G41	2	23
22	B27	4	5
23	B10	17	19
24	B27	28	5
25	D30	13	11
26	F10	17	25
27	E35	24	17
28	B27	24	5
	JACK	PIN	LG

63017200 Rev. E

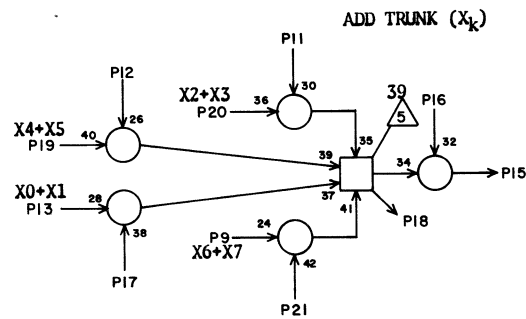
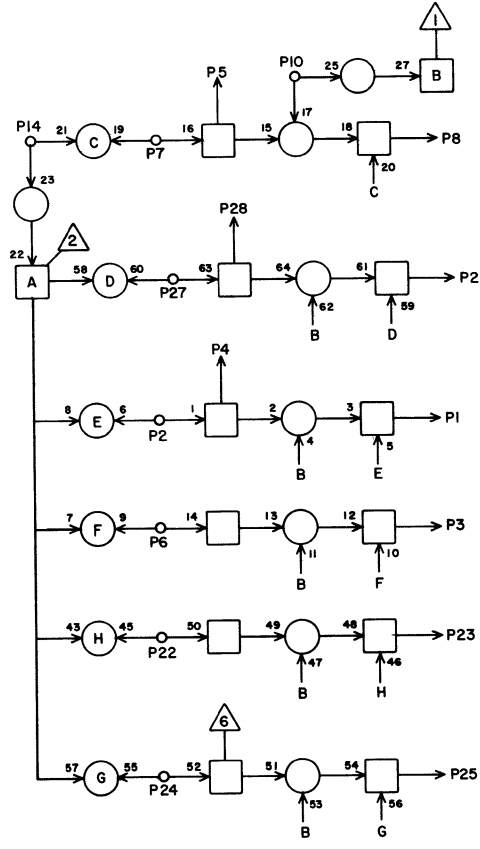


RL 8B29

1	B11	2	19
2	E39	26	19
3	D11	2	21
4	B30	22	5
5	B30	6	3
6	B30	5	5
7	C37	26	13
8	C31	13	9
9	F29	7	19
10	C21	26	13
11	G37	3	23
12	G39	3	23
13	A29	26	7
14	C27	26	9
15	K09	8	39
16	B29	x	2
17	G35	3	23
18			
19	D33	26	13
20	B37	26	11
21	G41	3	23
22	B30	4	5
23			
24	B30	28	5
25	F11	2	25
26	D31	13	11
27	C41	26	15
28	B30	24	5
	JACK	PIN	LG

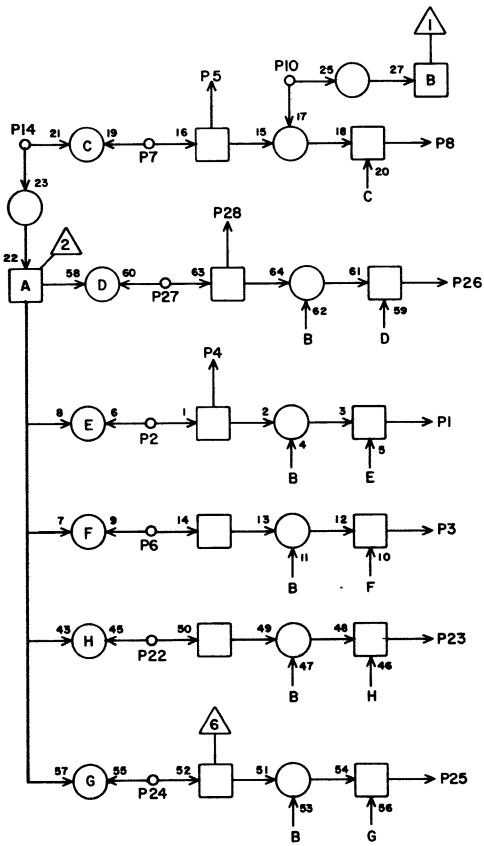
63017200 Rev. E3

RL 8B30

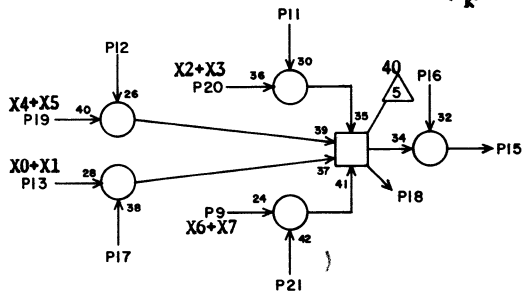


1			
2			
3	C32	13	9
4	B29	22	5
5	B29	6	5
6	B29	5	3
7	D39	26	15
8	D11	26	23
9	F30	8	19
10	G27	27	9
11	G37	5	23
12	G39	5	23
13	A30	25	5
14	C21	27	13
15	K09	26	41
16	B30	x	2
17	G35	5	21
18			
19	D34	25	13
20	B38	25	11
21	G41	5	23
22	B29	4	5
23	B11	26	21
24	B29	28	5
25	D32	13	11
26	F11	26	25
27	E35	26	15
28	B29	24	5
	JACK	PIN	LG

63017200 Rev. E3



ADD TRUNK (X_k)

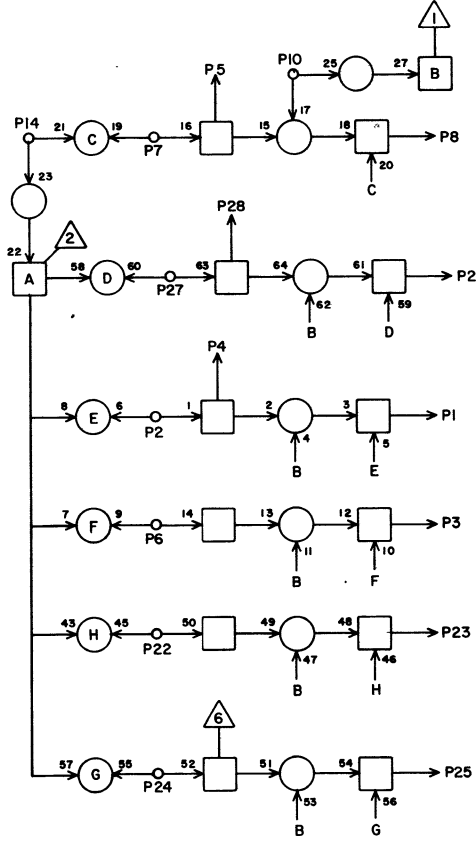


RL **8B31**

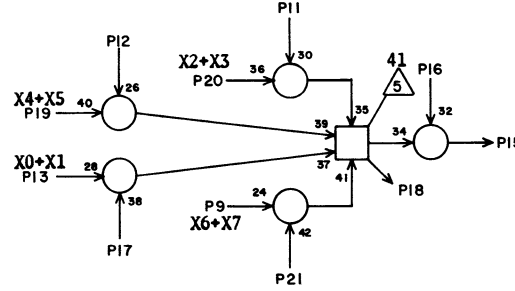
1	B11	17	21
2	E39	27	19
3	D11	17	23
4	B32	22	5
5	B32	6	3
6	B32	5	5
7	C37	27	11
8	C33	13	9
9	F31	7	19
10	C22	11	13
11	G37	13	23
12	G39	13	23
13	A31	26	5
14	C28	11	7
15	K10	8	41
16	B31	x	2
17	G35	13	23
18			
19	D35	26	13
20	B39	26	11
21	G41	13	23
22	B32	4	5
23			
24	B32	28	5
25	F11	17	27
26	D33	13	11
27	C41	27	13
28	B32	24	5

JACK PIN LG

63017200 Rev. E



ADD TRUNK (X_k)

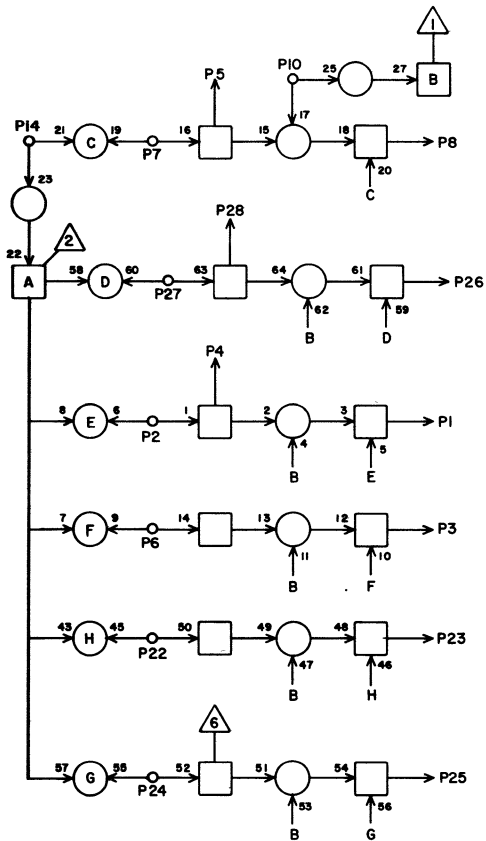


RL **8B32**

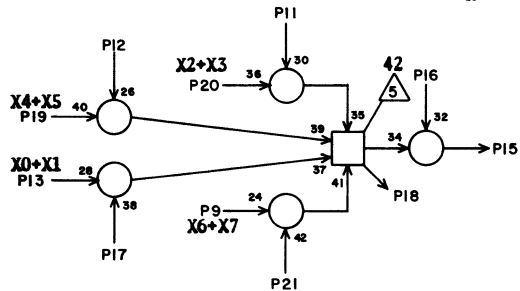
1			
2			
3	C34	13	9
4	B31	22	5
5	B31	6	5
6	B31	5	3
7	D39	27	15
8	D12	2	23
9	F32	8	19
10	C28	16	9
11	G37	13	23
12	G39	14	23
13	A32	25	5
14	C22	16	13
15	K10	26	41
16	B32	X	2
17	G35	14	23
18			
19	D36	25	13
20	B40	25	11
21	G41	14	23
22	B31	4	5
23	B12	2	21
24	B31	28	5
25	D34	13	11
26	F12	2	25
27	E35	27	15
28	B31	24	5

JACK PIN LG

63017200 Rev. E

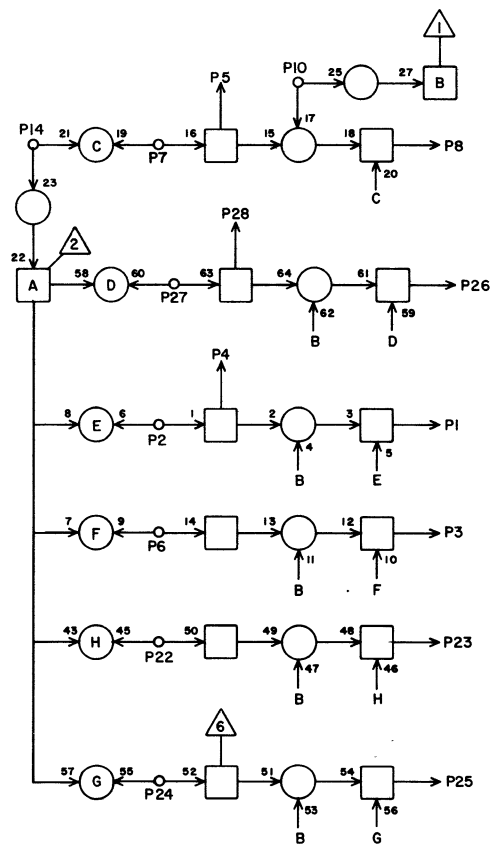


ADD TRUNK (X_k)

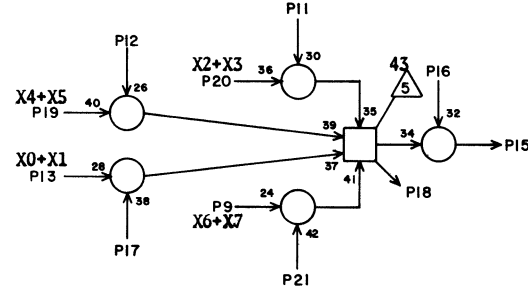


RL 8B33

1	B12	26	29
2	E39	28	19
3	D12	26	25
4	B34	22	5
5	B34	6	3
6	B34	5	5
7	C37	28	11
8	C35	13	9
9	F33	7	19
10	C22	26	15
11	G37	15	23
12	G39	15	23
13	A33	26	5
14	C28	26	11
15	K11	8	11
16	B33	X	2
17	G35	15	23
18			
19	D37	7	11
20	B41	26	11
21	G41	15	23
22	B34	4	5
23			
24	B34	28	5
25	F12	26	27
26	D35	13	11
27	G41	28	11
28	B34	24	5

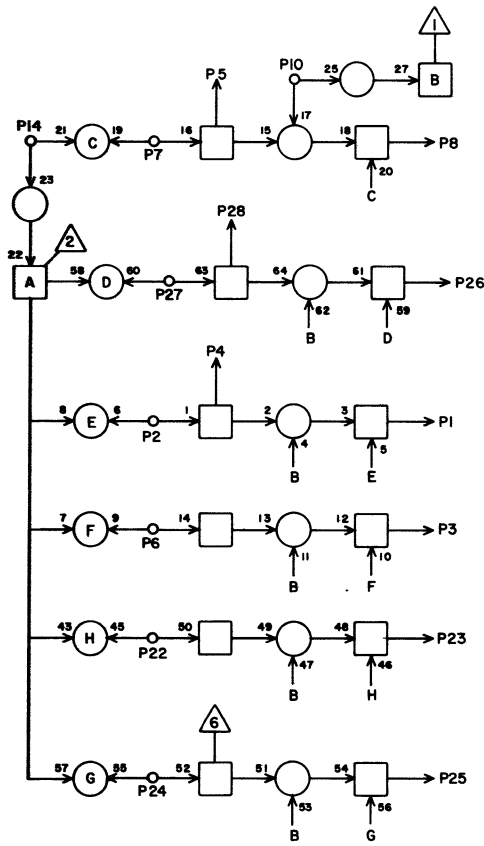


ADD TRUNK (X_k)

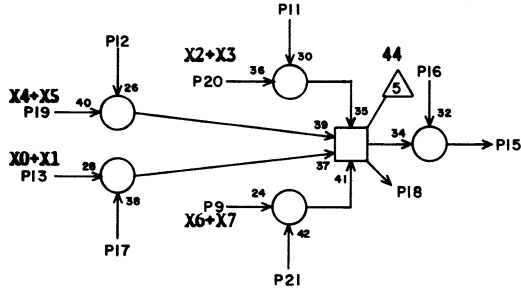


RL 8B34

1			
2			
3	C36	13	9
4	B33	22	5
5	B33	6	5
6	B33	5	3
7	D39	28	15
8	D12	17	25
9	F34	8	19
10	C28	27	11
11	G37	16	23
12	G39	16	23
13	A34	25	5
14	C22	27	15
15	K11	26	45
16	B34	X	2
17	G35	16	23
18			
19	D38	8	11
20	B42	25	11
21	G41	16	23
22	B33	4	5
23	B12	17	23
24	B33	28	5
25	D36	13	11
26	F12	17	27
27	E35	28	15
28	B33	24	5



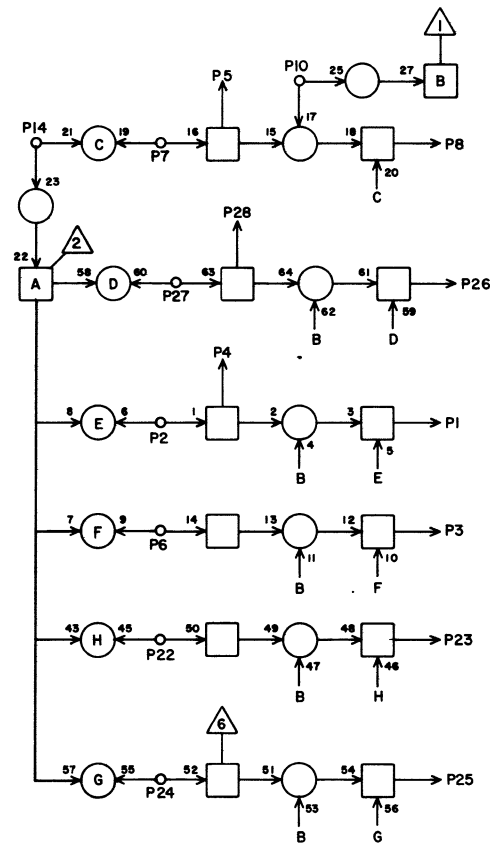
ADD TRUNK (X_k)



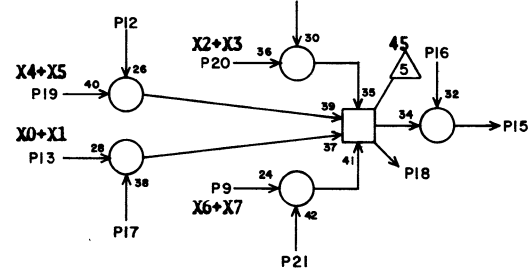
RL 8B35

1	A09	4	27
2	E40	1	17
3	C09	4	27
4	B36	22	5
5	B36	6	3
6	B36	5	5
7	C38	1	7
8	A27	20	11
9	F35	7	19
10	D17	11	21
11	G37	24	23
12	G39	24	23
13	A35	26	5
14	D23	11	17
15	L01	8	49
16	B35	X	2
17	G35	24	23
18			
19	D39	7	11
20	C29	26	11
21	G41	24	23
22	B36	4	5
23			
24	B36	28	5
25	E09	4	29
26	B27	20	11
27	C42	1	11
28	B36	24	5

JACK PIN LG



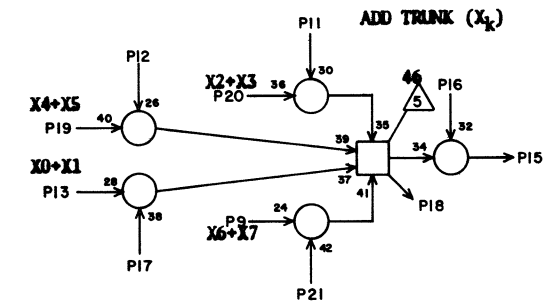
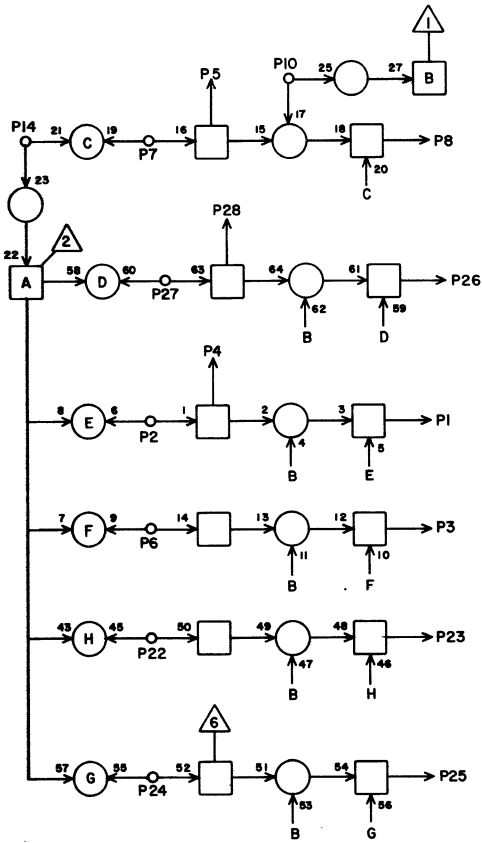
ADD TRUNK (X_k)



RL 8B36

1			
2			
3	A28	20	13
4	B35	22	5
5	B35	6	5
6	B35	5	3
7	D40	1	13
8	C09	16	27
9	F36	8	19
10	D23	16	17
11	G37	26	23
12	G39	26	23
13	A36	25	7
14	D17	16	23
15	L01	26	51
16	B36	X	2
17	G35	26	23
18			
19	D40	8	11
20	C30	25	11
21	G41	26	23
22	B35	4	5
23	A09	16	27
24	B35	28	5
25	B28	20	11
26	E09	16	29
27	E36	1	13
28	B35	24	5

JACK PIN LG

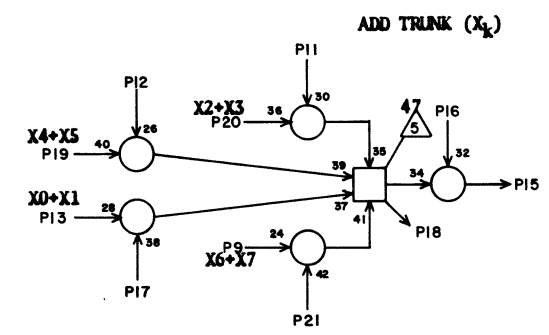
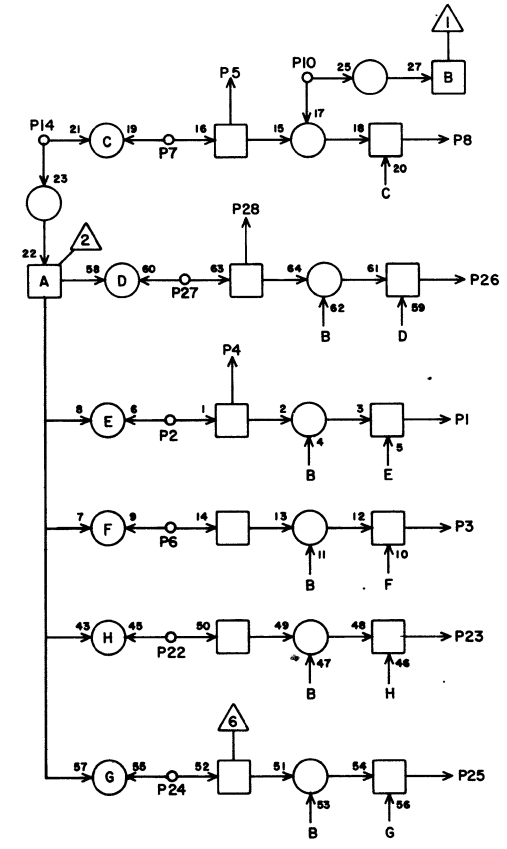


RL 8B37

1	A09	20	27
2	E40	2	15
3	C09	20	29
4	B38	22	5
5	B38	6	3
6	B38	5	5
7	C38	2	7
8	A29	20	11
9	F37	7	19
10	D17	26	23
11	G37	27	23
12	G39	27	23
13	A37	26	7
14	D23	26	19
15	L02	8	49
16	B37	X	2
17	G35	27	23
18			
19	D41	7	11
20	C31	26	11
21	G41	27	23
22	B38	4	5
23			
24	B38	28	5
25	E09	20	29
26	B29	20	11
27	C42	2	17
28	B38	24	5

JACK PIN LG

63017200 Rev. F



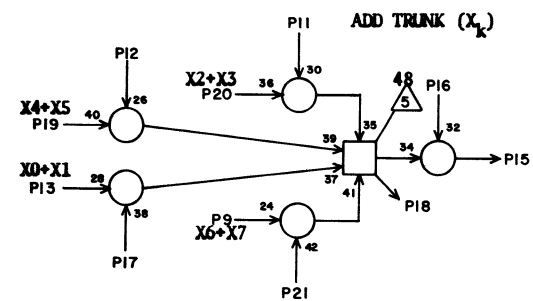
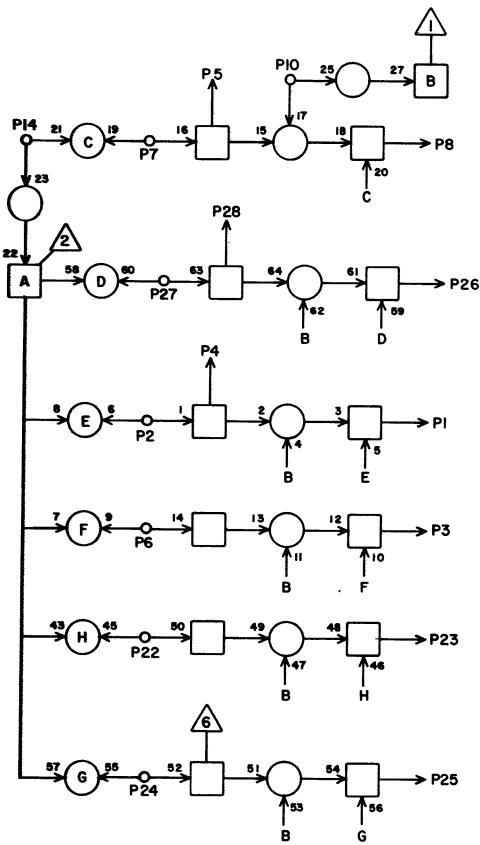
RL 8B38

1			
2			
3	A30	20	13
4	B37	22	5
5	B37	6	5
6	B37	5	3
7	D40	2	11
8	C10	4	29
9	F38	8	19
10	D23	27	19
11	G37	28	23
12	G39	28	23
13	A38	25	7
14	D17	27	25
15	L02	26	51
16	B38	X	2
17	G35	28	23
18			
19	D42	8	11
20	C32	25	11
21	G41	28	23
22	B37	4	5
23	A10	4	29
24	B37	28	5
25	B30	20	11
26	E10	4	29
27	E36	2	13
28	B37	24	5

JACK PIN LG

63017200 Rev. E

8B38

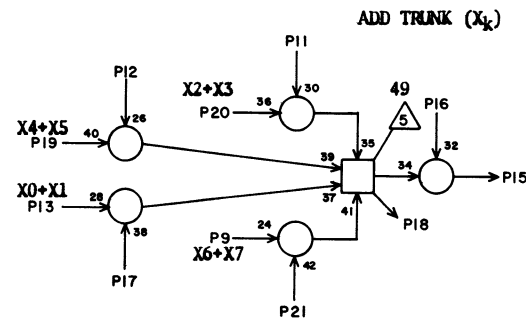
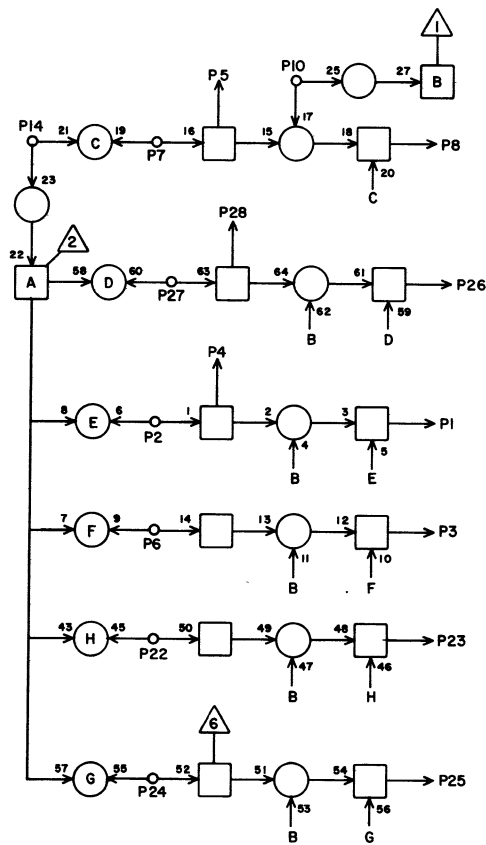


RL 8B39

1	A10	16	27
2	B40	3	15
3	C10	16	29
4	B40	22	5
5	B40	6	3
6	B40	5	5
7	C38	3	7
8	A31	20	11
9	F39	7	19
10	D18	11	23
11	G38	1	21
12	G40	1	21
13	A39	26	7
14	D24	11	19
15	L03	8	49
16	D13	6	27
17	G36	1	21
18	K19	28	41
19	E29	7	17
20	C33	26	11
21	G42	1	21
22	B40	4	5
23			
24	B40	28	5
25	E10	16	31
26	B31	20	11
27	C42	3	7
28	B40	24	5

JACK PIN LG

63017200 Rev. E

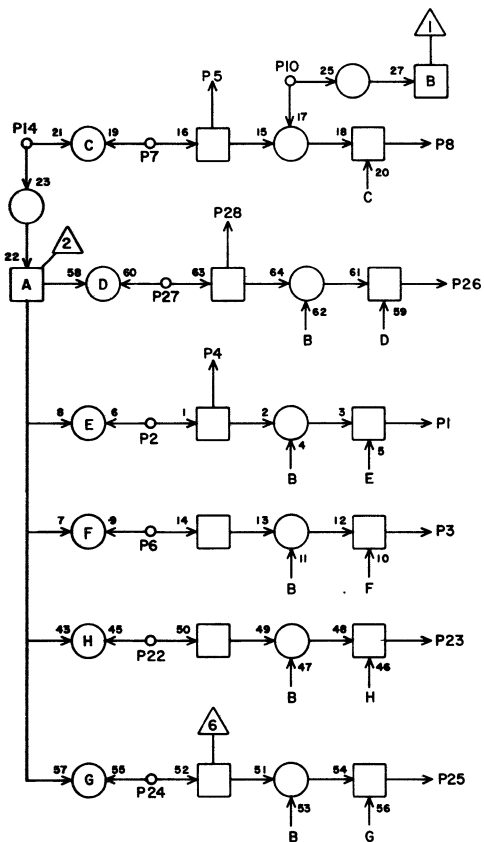


RL 8B40

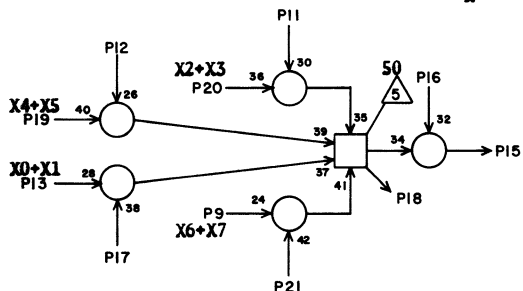
1			
2			
3	A32	20	13
4	B39	22	5
5	B39	6	5
6	B39	5	3
7	D40	3	11
8	C10	20	29
9	F40	8	19
10	D24	16	19
11	G38	2	21
12	G40	2	21
13	A40	25	7
14	D18	16	25
15	L03	26	51
16	D13	7	29
17	G36	2	21
18	K19	25	47
19	E30	8	17
20	C34	25	11
21	G42	2	21
22	B39	4	5
23	A10	20	29
24	B39	28	5
25	B32	20	11
26	E10	20	31
27	E36	3	13
28	B39	24	5

JACK PIN LG

63017200 Rev. E



ADD TRUNK (X_k)



RL

8B41

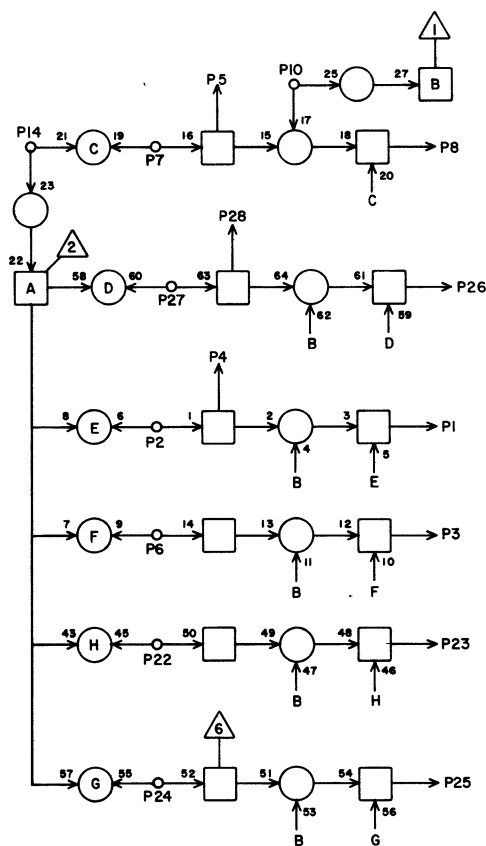
1	A11	4	29
2	B40	5	15
3	C11	4	31
4	B42	22	5
5	B42	6	3
6	B42	5	5
7	C38	5	9
8	A33	20	11
9	F41	7	19
10	D18	26	25
11	G38	3	21
12	G40	3	21
13	A41	26	7
14	D24	26	21
15	L04	8	51
16	D13	4	29
17	G36	3	21
18	K19	1	41
19	E31	7	17
20	C35	26	11
21	G42	3	21
22	B42	4	5
23			
24	B42	28	5
25	E11	4	33
26	B33	20	11
27	C42	5	5
28	B42	24	5

JACK PIN LG

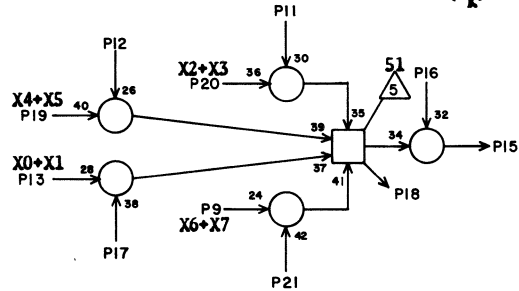
63017200 Rev. E

RL

8B42



ADD TRUNK (X_k)



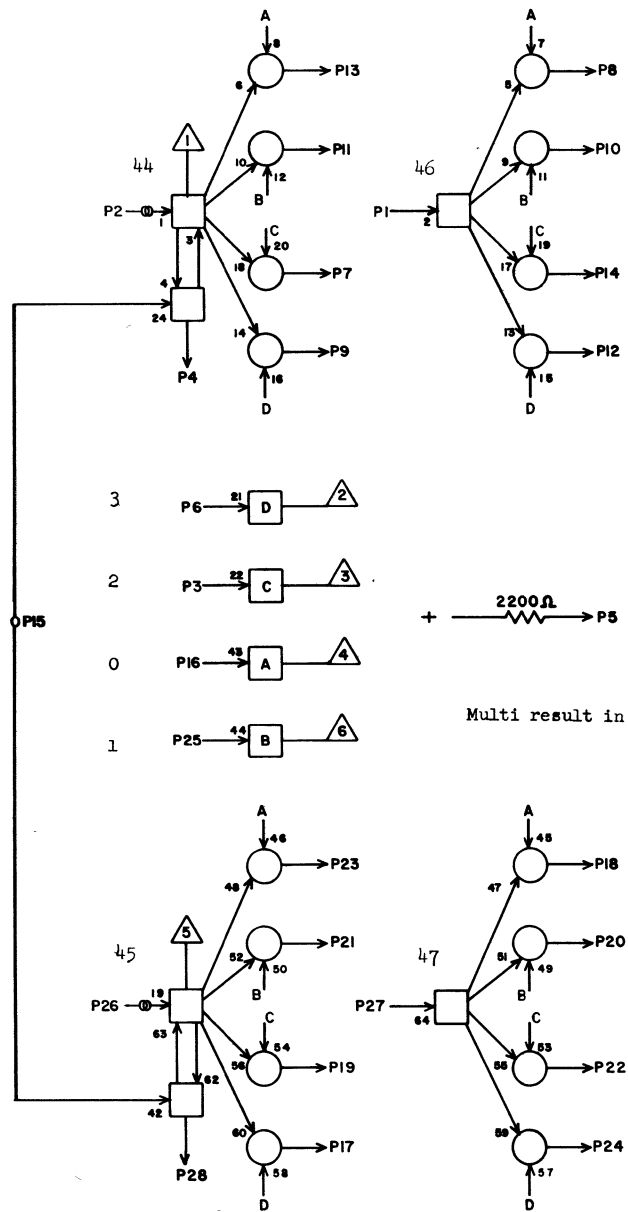
1			
2			
3	A34	20	13
4	B41	22	5
5	B41	6	5
6	B41	5	3
7	D40	5	11
8	C11	16	31
9	F42	8	19
10	D24	27	21
11	G38	5	23
12	G40	5	23
13	A42	25	7
14	D18	27	25
15	L04	26	51
16	D13	2	29
17	G36	5	23
18	K19	4	41
19	E32	8	17
20	C36	25	11
21	G42	5	21
22	B41	4	5
23	A11	16	29
24	B41	28	5
25	B34	20	11
26	E11	16	33
27	E36	5	15
28	B41	24	5

JACK PIN LG

63017200 Rev. E

8B42

MULTIPLY TRUNK (X₁)



RA

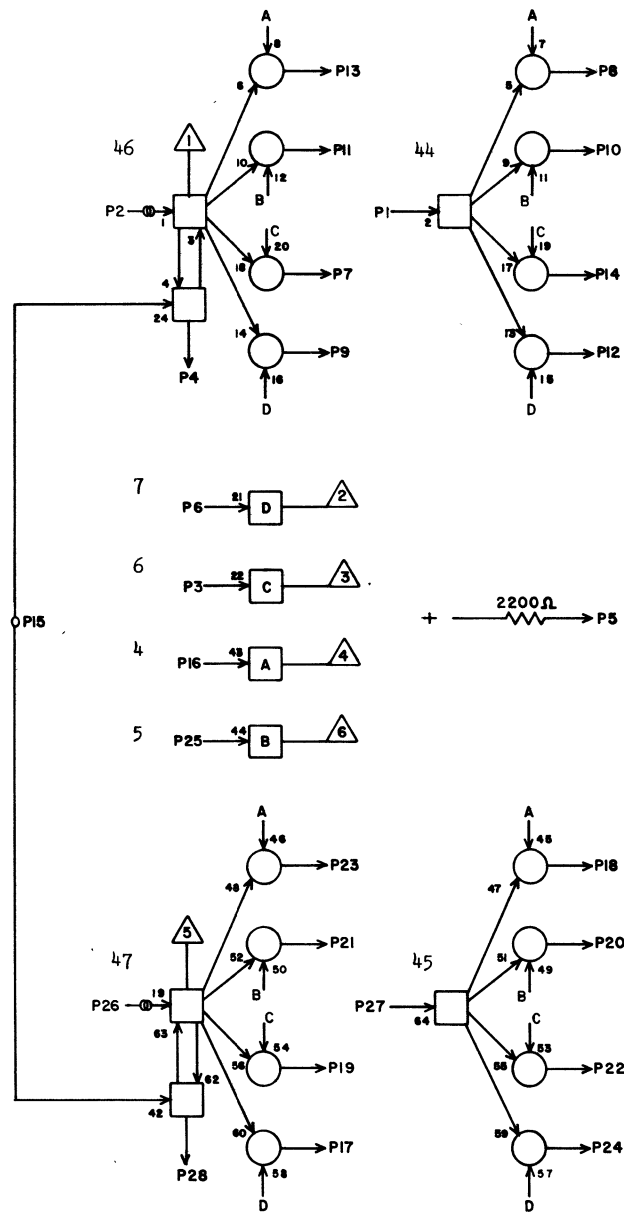
8C01

1	C02	4	3
2	W08	98	
3	C14	8	15
4	C02	1	5
5			
6	C14	20	15
7	D19	1	19
8	C19	20	19
9	D25	1	25
10	C25	20	25
11	C25	1	25
12	D25	20	25
13	C19	1	19
14	D19	20	19
15	G03	22	19
16	C13	8	15
17	D25	12	25
18	C19	19	19
19	D19	12	19
20	C25	19	25
21	C25	12	25
22	D19	19	21
23	C19	12	19
24	D25	19	25
25	C13	20	15
26	W08	99	
27	C02	28	3
28	C02	27	5

JACK PIN LG

63017200 Rev. E

MULTIPLY TRUNK (X₁)



8C02

RA

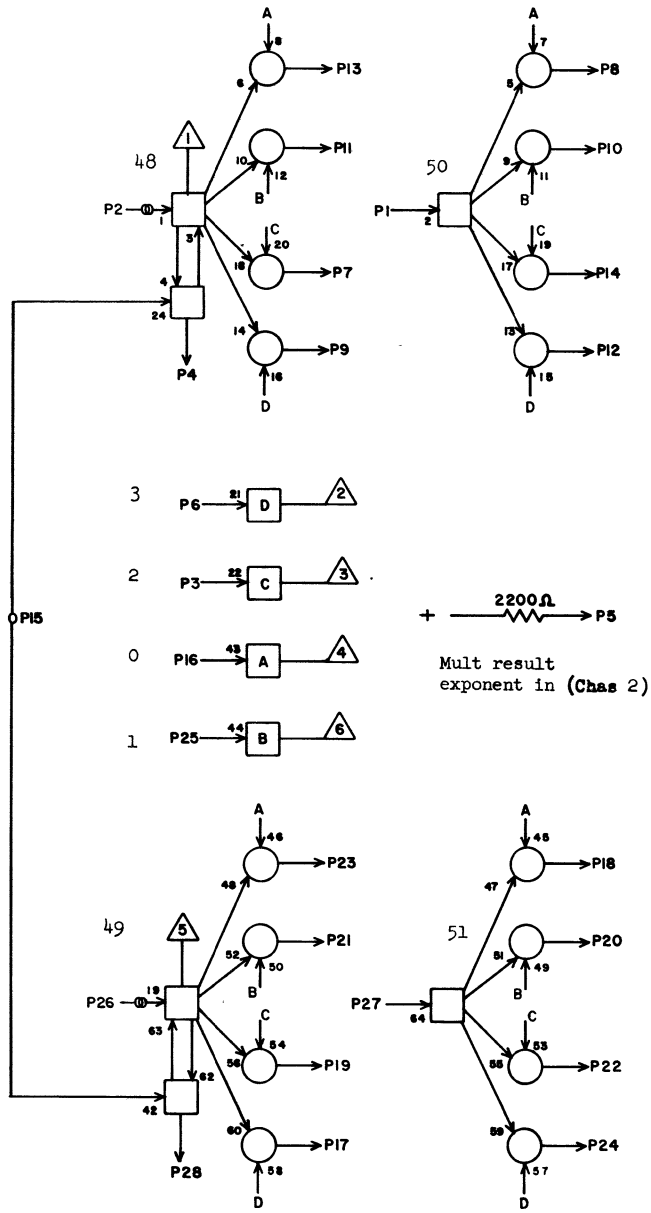
8C02

1	C01	4	5
2	W08	900	
3	D14	8	15
4	C01	1	3
5			
6	D14	20	15
7	F19	26	23
8	E19	1	21
9	F25	26	27
10	E25	1	25
11	E25	26	25
12	F25	1	27
13	E19	26	19
14	F19	1	23
15	G03	20	19
16	D13	8	15
17	F25	27	25
18	E19	2	21
19	F19	27	21
20	E25	2	25
21	E25	27	25
22	F19	2	23
23	E19	27	19
24	F25	2	27
25	D13	20	13
26	W08	901	
27	C01	28	5
28	C01	27	3

JACK PIN LG

63017200 Rev. E

MULTIPLY TRUNK (X₁)



RA

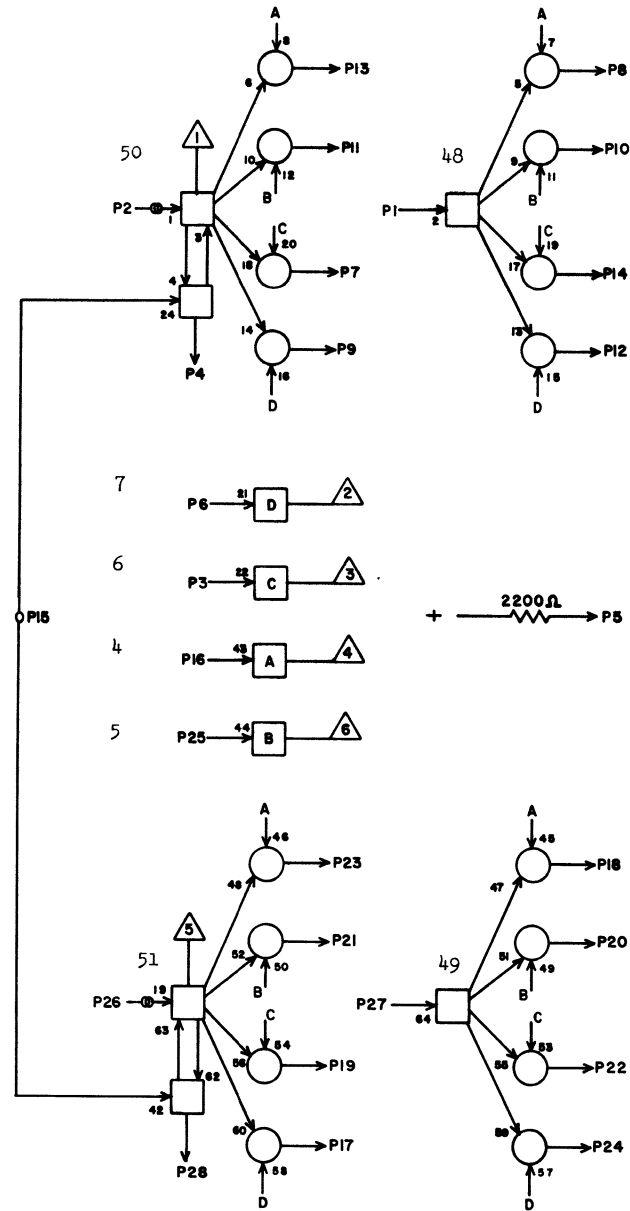
8 C03

1	C04	4	3
2	W18	902	
3	C14	9	13
4	C04	1	5
5			
6	C14	21	13
7	D20	1	19
8	C20	20	19
9	D26	1	25
10	C26	20	23
11	C26	1	23
12	D26	20	25
13	C20	1	19
14	D20	20	19
15	G03	18	19
16	C13	9	13
17	D26	12	23
18	C20	19	19
19	D20	12	19
20	C26	19	25
21	C26	12	23
22	D20	19	19
23	C20	12	19
24	D26	19	25
25	C13	21	13
26	W18	903	
27	C04	28	3
28	C04	27	5

JACK PIN LG

63017200 Rev. E

MULTIPLY TRUNK (X₁)



RA

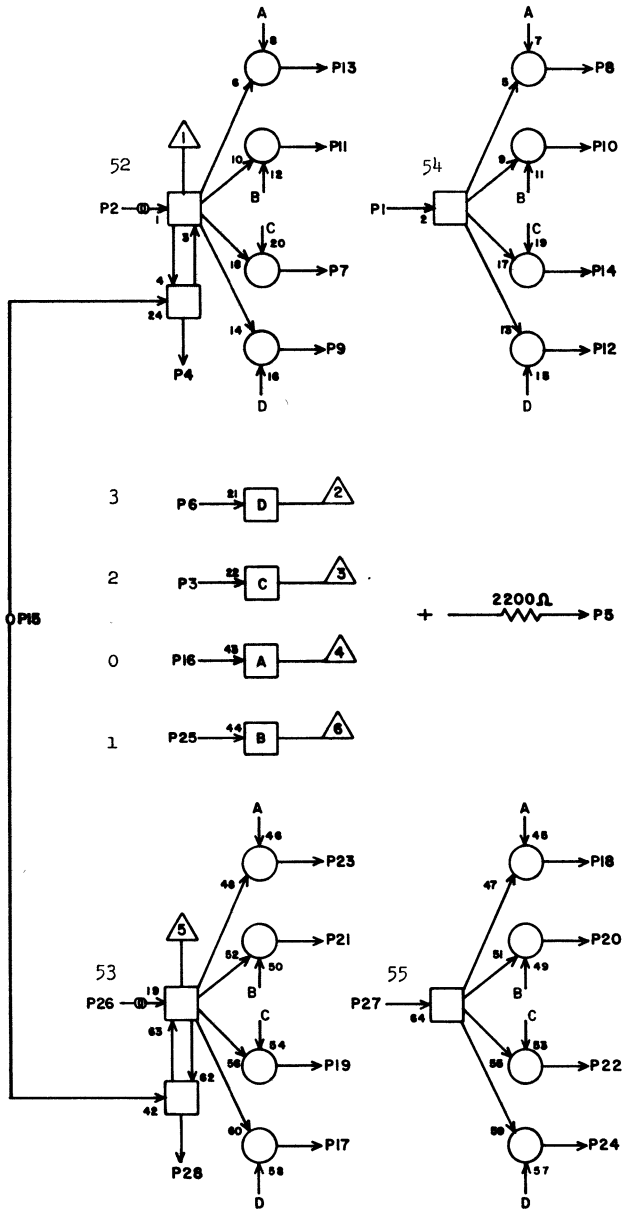
8 C04

1	C03	4	5
2	W18	904	
3	D14	9	13
4	C03	1	3
5			
6	D14	21	15
7	F20	26	21
8	E20	1	19
9	F26	26	25
10	E26	1	25
11	E26	26	23
12	F26	1	25
13	E20	26	19
14	F20	1	23
15	G03	28	19
16	D13	9	13
17	F26	27	25
18	E20	2	19
19	F20	27	21
20	E26	2	25
21	E26	27	23
22	F20	2	21
23	E20	27	19
24	F26	2	25
25	D13	21	13
26	W18	905	
27	C03	28	5
28	C03	27	3

JACK PIN LG

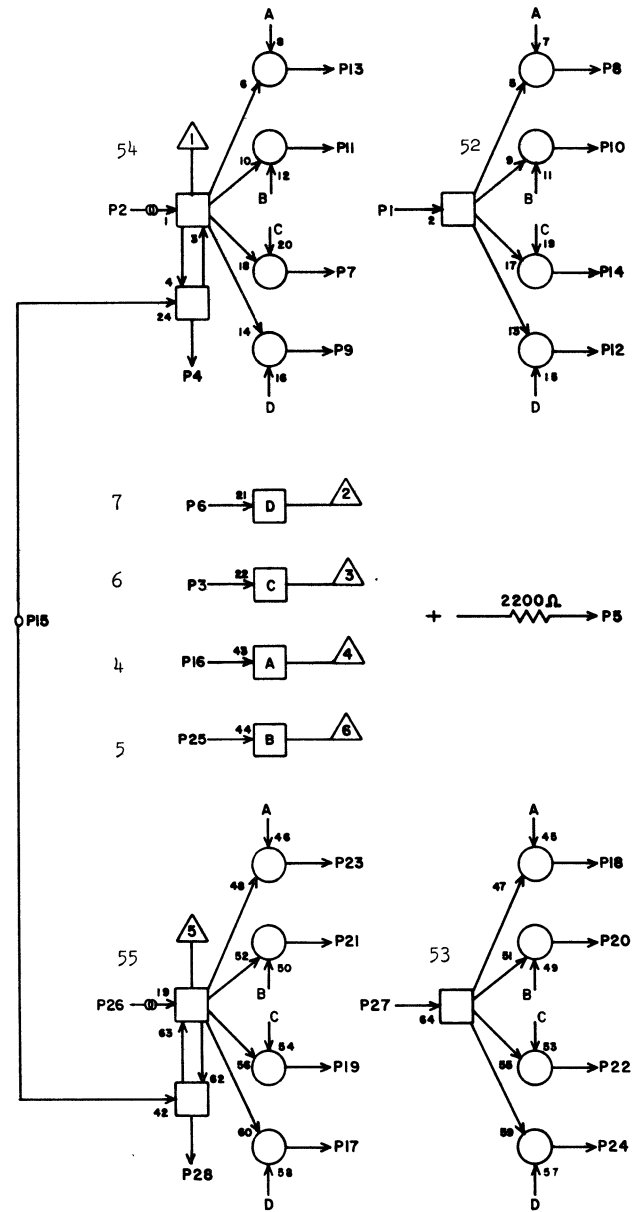
63017200 Rev. E

MULTIPLY TRUNK (X₁)

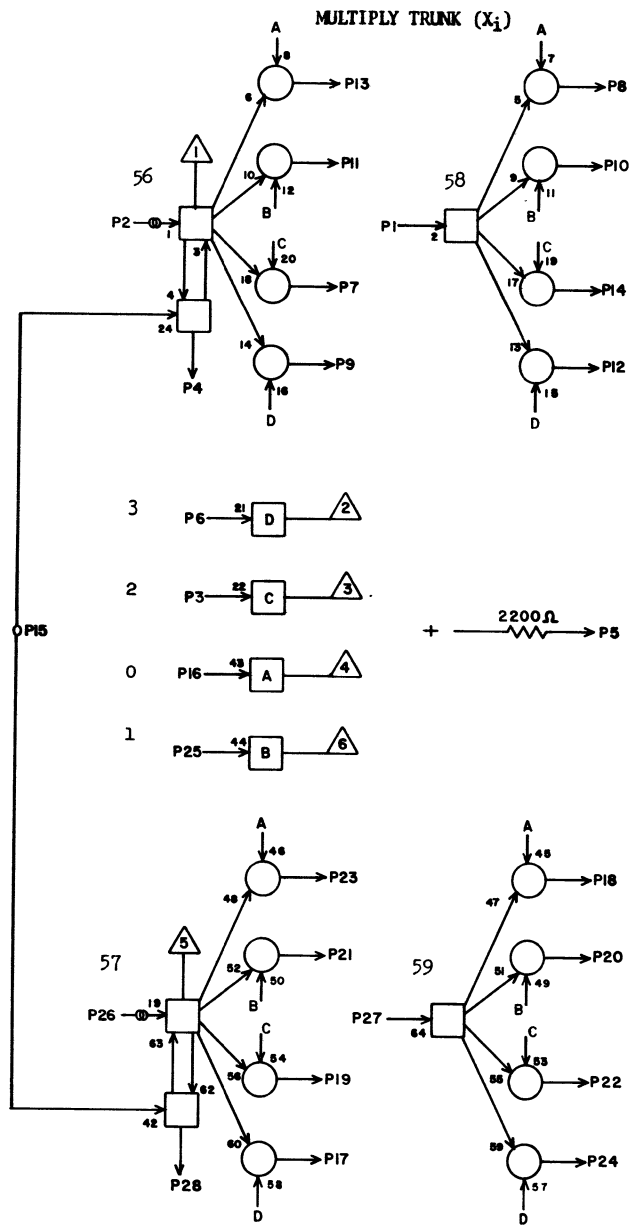


RA 8C05			
JACK	PIN	LG	
1	C06	4	3
2	W18	906	
3	C14	11	13
4	C06	1	5
5			
6	C14	17	13
7	D21	1	17
8	C21	20	17
9	D27	1	23
10	C27	20	23
11	C27	1	23
12	D27	20	23
13	C21	1	17
14	D21	20	19
15	G03	21	19
16	C13	11	11
17	D27	12	23
18	C21	19	17
19	D21	12	17
20	C27	19	23
21	C27	12	23
22	D21	19	19
23	C21	12	17
24	D27	19	23
25	C13	17	11
26	W18	907	
27	C06	28	3
28	C06	27	5

MULTIPLY TRUNK (X₁)



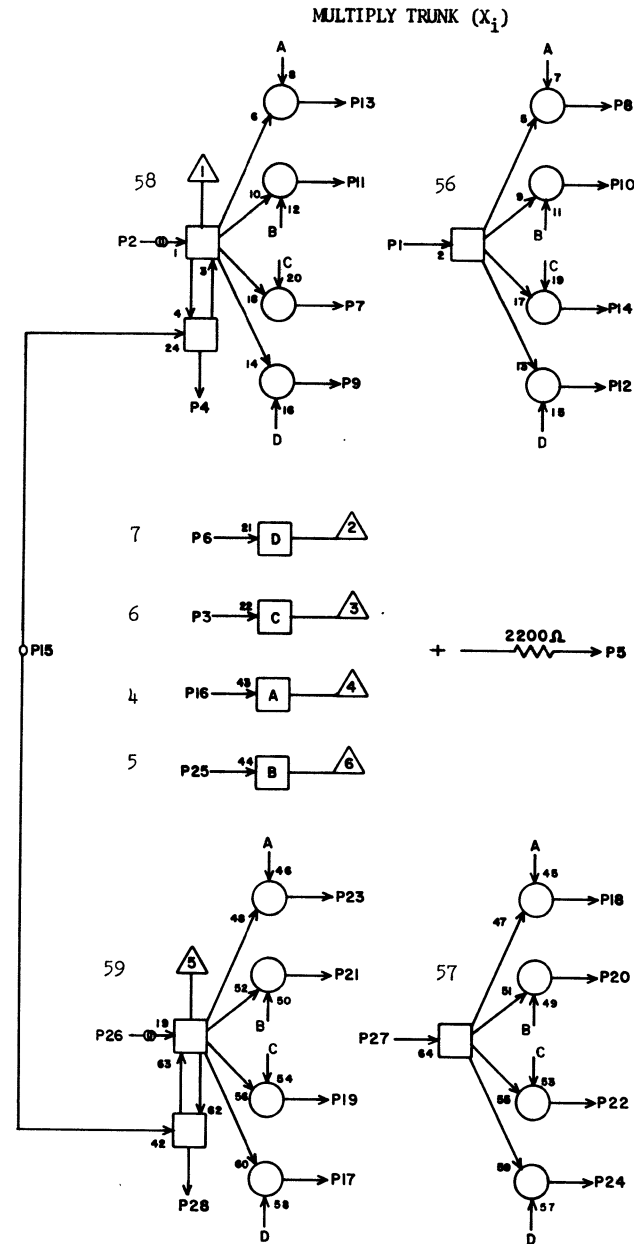
RA 8C06			
JACK	PIN	LG	
1	C05	4	5
2	W19	902	
3	D14	11	13
4	C05	1	3
5			
6	D14	17	13
7	F21	26	21
8	E21	1	19
9	F27	26	25
10	E27	1	23
11	E27	26	23
12	F27	1	25
13	E21	26	19
14	F21	1	21
15	G03	19	19
16	D13	11	11
17	F27	27	25
18	E21	2	19
19	F21	27	19
20	E27	2	23
21	E27	27	23
22	F21	2	21
23	E21	27	17
24	F27	2	25
25	D13	17	11
26	W19	903	
27	C05	28	5
28	C05	27	3



RA 8C07

1	C08	4	3
2	W19	904	
3	C14	12	11
4	C08	1	5
5			
6	C14	19	11
7	D22	1	17
8	C22	20	17
9	D28	1	23
10	C28	20	23
11	C28	1	23
12	D28	20	23
13	C22	1	17
14	D22	20	17
15	G03	17	19
16	C13	12	9
17	D28	12	23
18	C22	19	17
19	D22	12	17
20	C28	19	23
21	C28	12	21
22	D22	19	17
23	C22	12	17
24	D28	19	23
25	C13	19	9
26	W19	905	
27	C08	28	3
28	C08	27	5
	JACK	PIN	LG

63017200 Rev. E

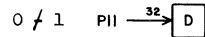
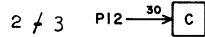
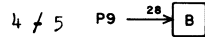
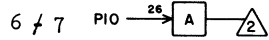
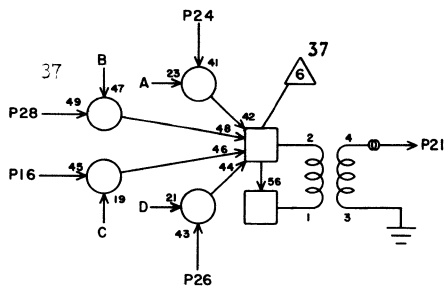
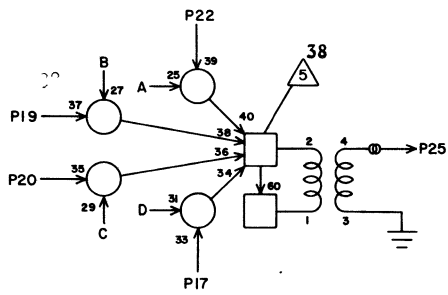
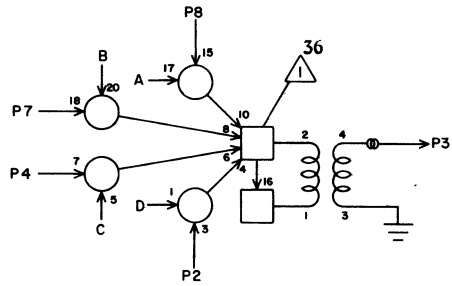


RA 8C08

1	C07	4	5
2	W19	906	
3	D14	12	11
4	C07	1	3
5			
6	D14	19	11
7	F22	26	19
8	E22	1	19
9	F28	26	23
10	E28	1	23
11	E28	26	23
12	F28	1	25
13	E22	26	17
14	F22	1	21
15	G03	27	19
16	D13	12	9
17	F28	27	23
18	E22	2	19
19	F22	27	19
20	E28	2	23
21	E28	27	23
22	F22	2	19
23	E22	27	17
24	F28	2	25
25	D13	19	9
26	W19	907	
27	C07	28	5
28	C07	27	3
	JACK	PIN	LG

63017200 Rev. E'

MULTIPLY TRUNK (X_k)



RG

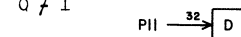
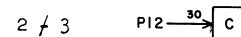
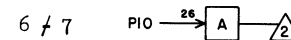
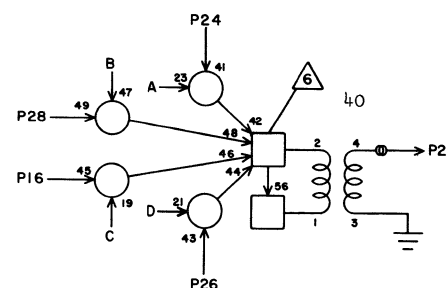
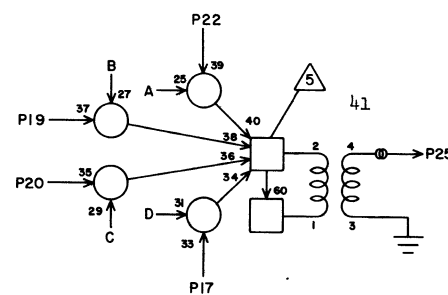
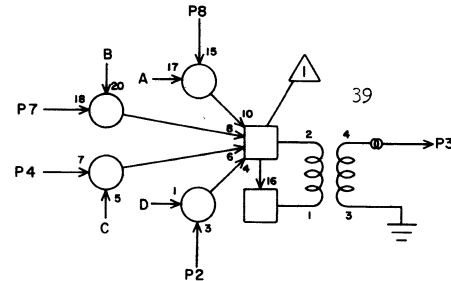
8C09

1			
2	A27	3	21
3	W07	90	
4	B35	3	27
5			
6			
7	D31	3	23
8	E41	21	33
9	E34	1	27
10	E33	1	25
11	F30	1	25
12	F29	1	25
13			
14			
15			
16	B36	8	27
17	A29	3	23
18			
19	D33	3	29
20	B37	3	29
21	W07	91	
22	F29	21	23
23			
24	E42	22	33
25	W07	92	
26	A28	8	23
27			
28	D32	8	25

JACK PIN LG

63017200 Rev. E

MULTIPLY TRUNK (X_k)



RG

8C10

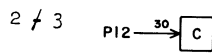
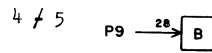
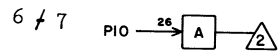
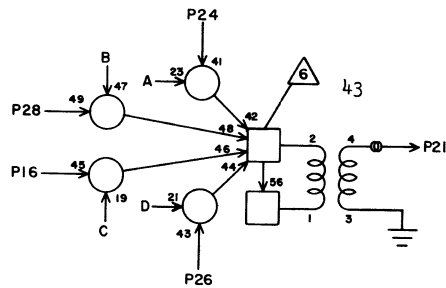
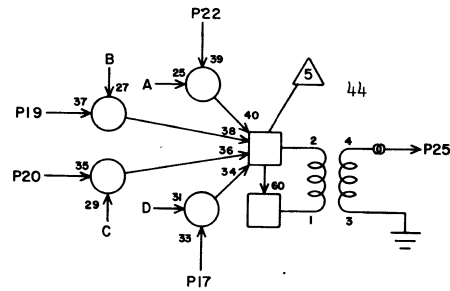
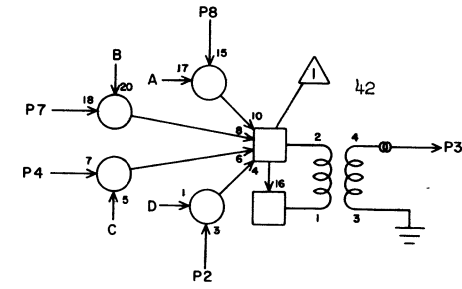
1			
2	A30	8	23
3	W07	93	
4	B38	8	29
5			
6			
7	D34	8	25
8	F30	22	25
9	E34	2	25
10	E33	2	25
11	F30	2	23
12	F29	2	23
13			
14			
15			
16	B39	3	29
17	A32	8	25
18			
19	D36	8	29
20	B40	8	29
21	W07	94	
22	F32	22	25
23			
24	F31	21	29
25	W07	95	
26	A31	3	25
27			
28	D35	3	25

JACK PIN LG

63017200 Rev. E

8C10

MULTIPLY TRUNK (X_k)



RG

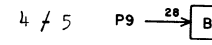
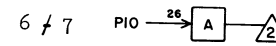
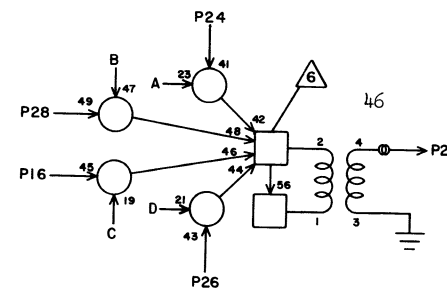
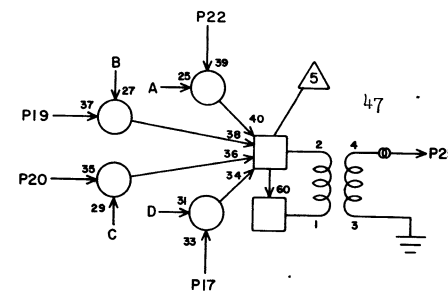
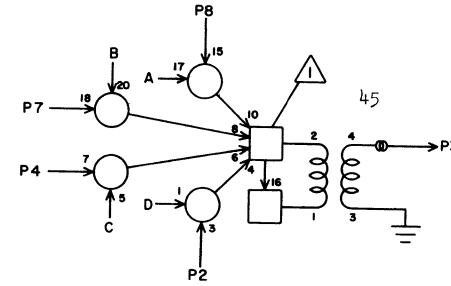
8C11

1			
2	A33	3	25
3	W07	96	
4	B41	3	31
5			
6			
7	D37	21	27
8	F33	21	25
9	E34	3	25
10	E33	3	25
11	F30	3	23
12	F29	3	23
13			
14			
15			
16	B42	8	31
17	A35	3	27
18			
19	D39	21	29
20	C29	3	27
21	W07	97	
22	F35	21	27
23			
24	F34	22	31
25	W07	98	
26	A34	8	25
27			
28	D38	22	27

JACK PIN LG

63017200 Rev. E

MULTIPLY TRUNK (X_k)



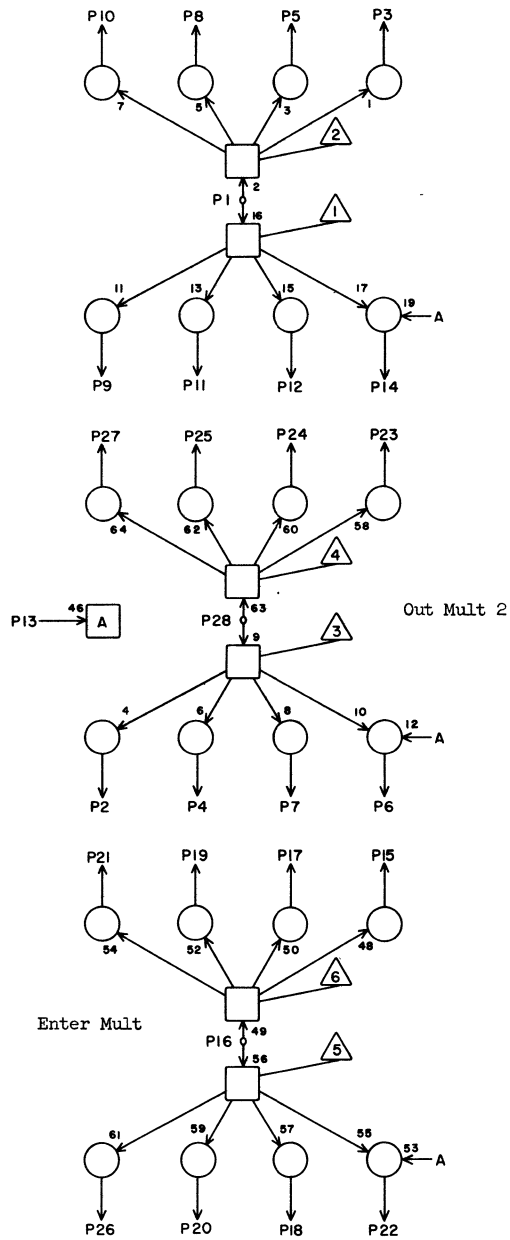
RG

8C12

1			
2	A36	8	25
3	W07	99	
4	C30	8	19
5			
6			
7	D40	22	29
8	F36	22	27
9	E34	5	25
10	E33	5	23
11	F30	5	23
12	F29	5	23
13			
14			
15			
16	C31	3	21
17	A38	8	27
18			
19	D42	22	29
20	C32	8	21
21	W07	900	
22	F38	22	29
23			
24	F37	21	29
25	W07	901	
26	A37	3	27
27			
28	D41	21	29

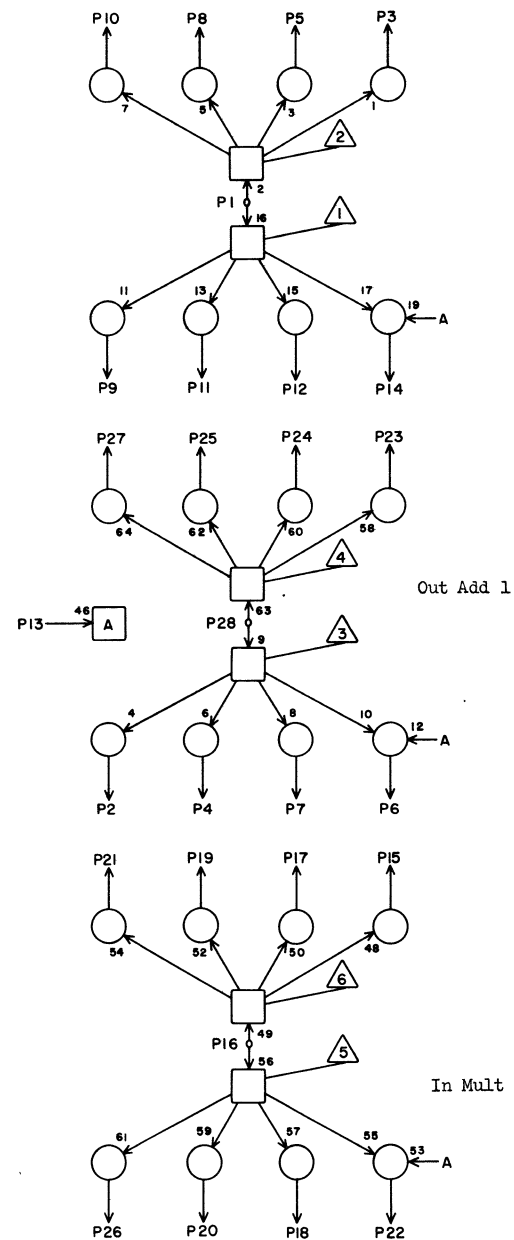
JACK PIN LG

63017200 Rev. E



HF		8 C13	
JACK	PIN	LG	
1	G05	21	23
2	E35	12	25
3	B05	16	11
4	E36	12	25
5	B07	16	11
6			
7	E37	12	25
8	C01	16	15
9	C03	16	13
10			
11	C05	16	11
12	C07	16	9
13			
14			
15	B05	25	11
16	G06	21	21
17	C05	25	11
18	B07	25	9
19	C07	25	9
20	C01	25	15
21	C03	25	13
22			
23	E38	12	29
24			
25			
26			
27			
28	G01	9	19

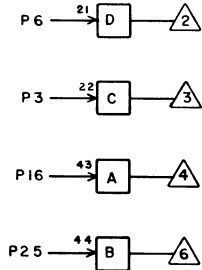
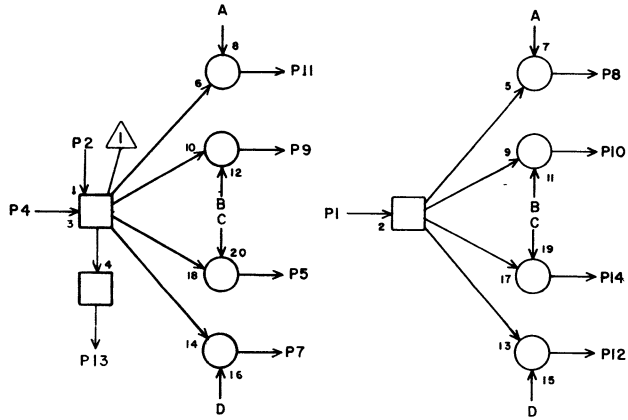
63017200 Rev. E



HF		8 C14	
JACK	PIN	LG	
1	G07	21	21
2	C36	16	23
3	B05	3	13
4	C35	16	23
5	B07	3	11
6	C33	16	21
7	C34	16	21
8	C01	3	15
9	C03	3	13
10			
11	C05	3	13
12	C07	3	11
13	A02	5	17
14			
15	B05	6	13
16	G08	21	21
17	C05	6	13
18	B07	6	13
19	C07	6	11
20	C01	6	15
21	C03	6	13
22			
23	C32	16	19
24	C31	16	19
25	C30	16	19
26			
27	C29	16	17
28	H25	9	60

63017200 Rev. E

8C14

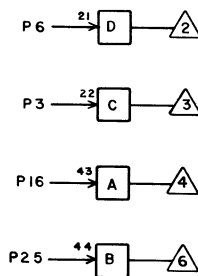
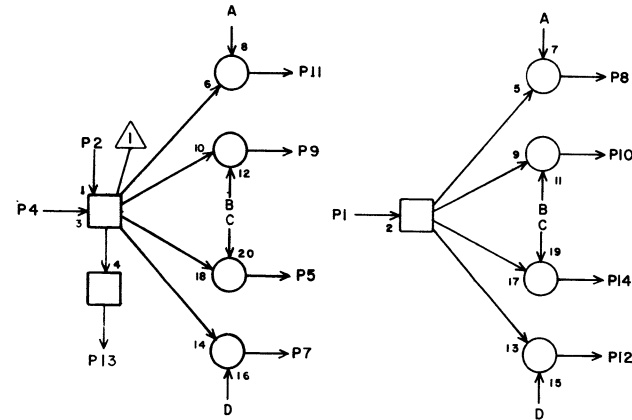


RC 8C15

1	C16	13	5
2	A05	13	15
3	F06	7	17
4	E07	6	13
5	D19	9	9
6	F08	23	17
7	D25	9	13
8	C19	24	7
9	C25	9	13
10	C25	24	13
11	C19	9	7
12	D25	24	15
13	C16	1	5
14	D19	24	9
15	C16	27	5
16	F06	8	17
17	D25	15	13
18	C19	23	7
19	D19	15	7
20	C25	23	13
21	C25	15	13
22	D19	23	7
23	C19	15	7
24	D25	23	13
25	F06	20	15
26	A05	23	15
27	C16	15	5
28	E07	21	15

JACK PIN LG

63017200 Rev. 5

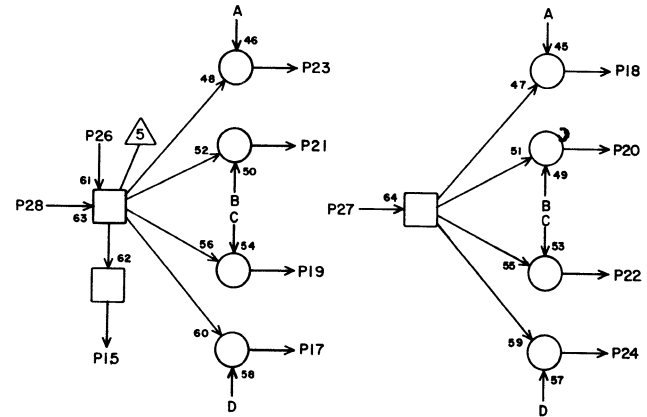
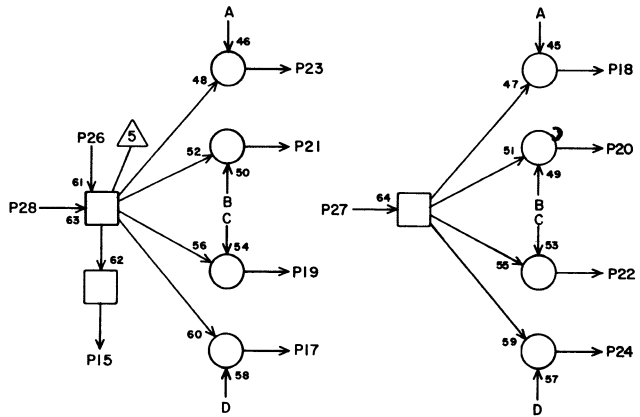


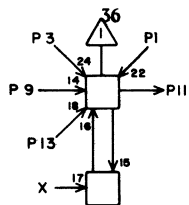
RC 8C16

1	C15	13	5
2	A05	8	15
3	E08	8	15
4	E07	19	15
5	F19	24	15
6	E08	20	15
7	F25	24	17
8	E19	5	13
9	E25	24	15
10	E25	5	15
11	E19	24	11
12	F25	5	17
13	C15	1	5
14	F19	5	15
15	C15	27	5
16	F08	8	17
17	F25	23	17
18	E19	6	13
19	F19	23	15
20	E25	6	15
21	E25	23	15
22	F19	6	15
23	E19	23	11
24	F25	6	17
25	F08	20	17
26	A05	18	17
27	C15	15	5
28	E07	17	15

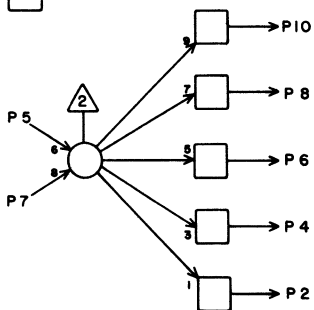
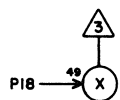
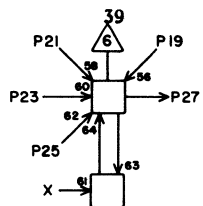
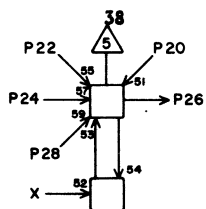
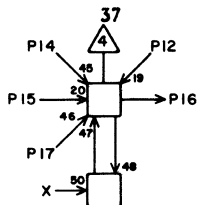
JACK PIN LG

63017200 Rev. 5





OPERATING
REG. XO



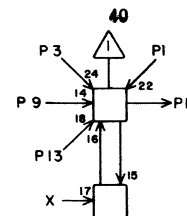
KG

8C17

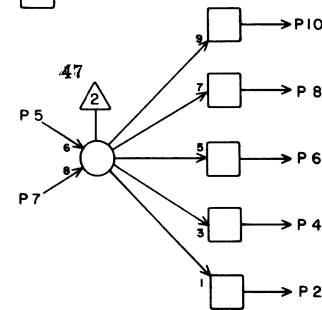
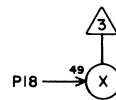
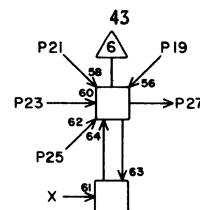
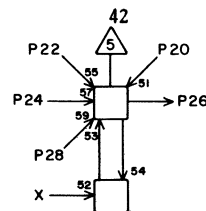
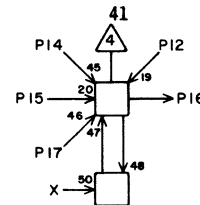
1	B05	13	15
2	E23	18	15
3	D01	13	19
4	E24	18	15
5	D17	4	7
6			
7	H10	21	25
8			
9	A15	11	11
10			
11	A27	10	15
12	B05	23	15
13	C17	X	2
14	D01	23	19
15	A15	23	11
16	A28	14	15
17	C17	X	2
18	G21	2	17
19	B 5	18	15
20	B 5	8	15
21	D01	18	19
22	D01	8	17
23	A15	18	13
24	A15	8	13
25	C17	X	2
26	A29	10	17
27	A30	14	17
28	C17	X	2

JACK PIN LG

63017200 Rev B



OPERATING
REG. XO



KG

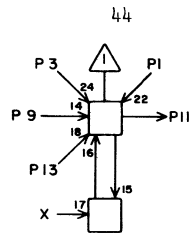
8C18

1	B07	13	13
2	N26	20	51
3	D03	13	17
4	E24	14	15
5	L02	22	45
6			
7			
8			
9	B15	11	9
10	B07	18	15
11	A31	10	17
12	B07	23	15
13	C18	X	2
14	D03	23	17
15	B15	23	7
16	A32	14	19
17	C18	X	2
18	G21	4	17
19	B07	18	15
20	B07	8	15
21	D03	18	17
22	D03	8	17
23	B15	18	9
24	B15	8	9
25	C18	X	2
26	A33	10	19
27	A34	14	19
28	C18	X	2

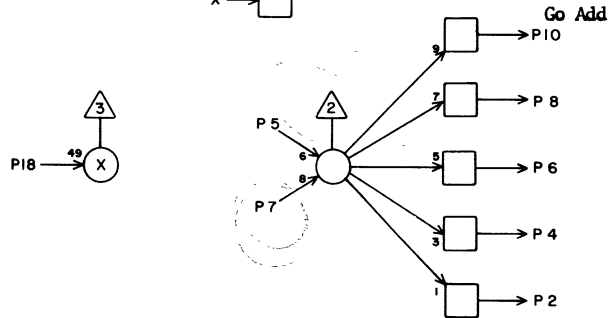
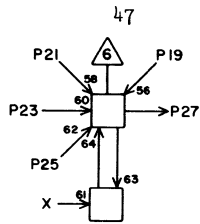
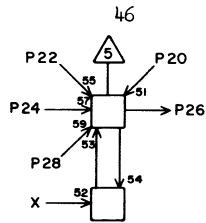
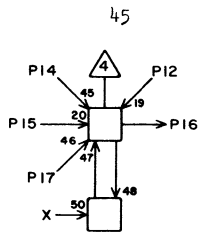
JACK PIN LG

63017200 Rev. 1A B

8C18



OPERATING
REG. XO

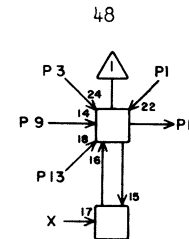


KG 8C19

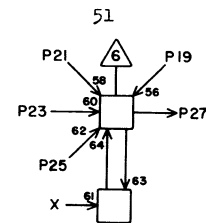
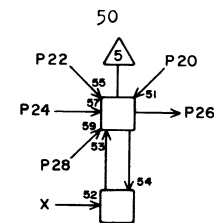
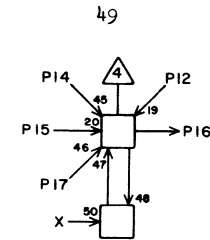
1	C01	13	19
2	G18	1	19
3	D05	13	17
4	I25	2	25
5	H20	27	25
6	P22	19	51
7	I21	8	120
8	Q20	19	55
9	C15	11	7
10			
11	A35	10	19
12	C01	23	19
13	C19	X	2
14	D05	23	17
15	C15	23	7
16	A36	14	21
17	C19	X	2
18	G21	6	17
19	C01	18	19
20	C01	8	19
21	D05	18	17
22	D05	8	17
23	C15	18	7
24	C15	8	7
25	C19	X	2
26	A37	10	21
27	A38	14	23
28	C19	X	2

JACK PIN LG

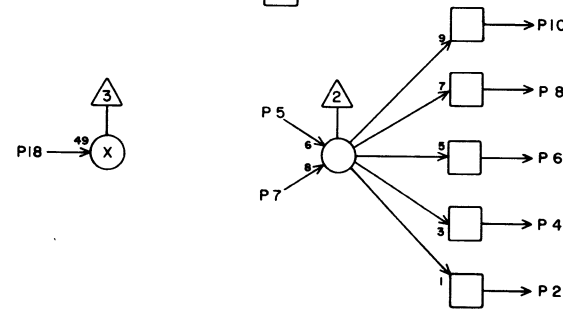
63017200 Rev. AF



OPERATING
REG. XO



F1 Add Round & Time

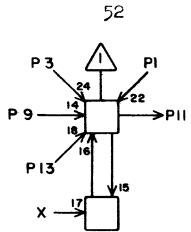


KG 8C20

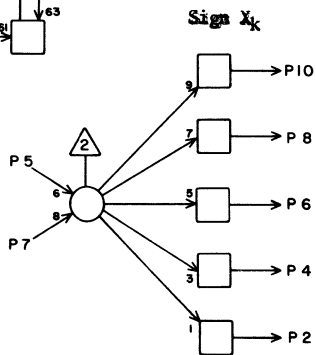
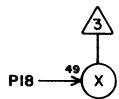
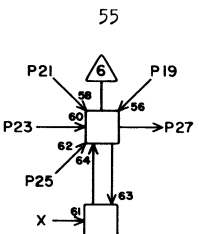
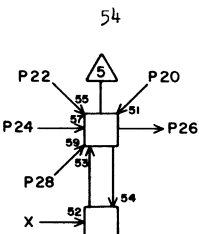
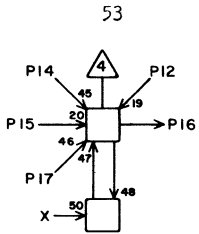
1	C 3	13	19
2			
3	D 7	13	17
4			
5	H20	18	21
6	A26	17	13
7			
8			
9	D15	11	9
10			
11	A39	10	21
12	C03	23	19
13	C20	X	2
14	D07	23	15
15	D15	23	11
16	A40	14	21
17	C20	X	2
18	G21	9	17
19	C03	18	19
20	C03	8	19
21	D07	18	17
22	D07	8	15
23	D15	18	9
24	D15	8	9
25	C20	X	2
26	A41	10	25
27	A42	14	25
28	C20	X	2

JACK PIN LG

63017200 Rev. AD



OPERATING
REG. XO



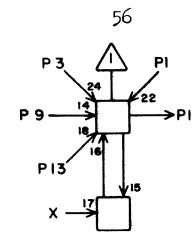
KG

8C21

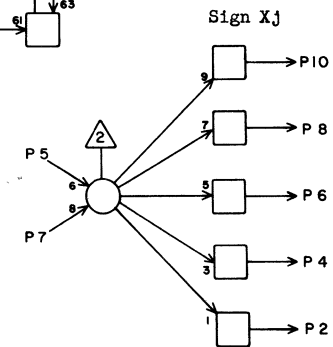
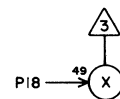
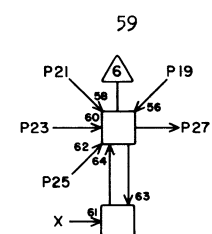
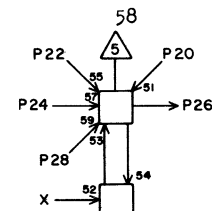
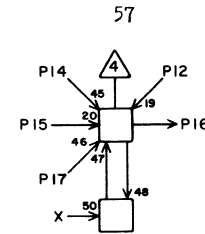
1	C 5	13	17
2			
3	E 2	13	23
4			
5	E21	15	13
6			
7			
8			
9	E15	11	13
10			
11	B27	10	11
12	C 5	23	17
13	C21	X	2
14	E 2	23	21
15	E15	23	13
16	B28	14	11
17	C21	X	2
18	G21	11	17
19	C 5	18	17
20	C 5	8	17
21	E 2	18	23
22	E 2	8	21
23	E15	18	13
24	E15	8	13
25	C21	X	2
26	B29	10	13
27	B30	14	13
28	C21	X	2

JACK PIN LG

63017200 Rev E



OPERATING
REG. XO



KG

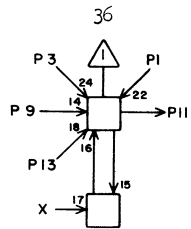
8 C22

1	C07	13	17
2			
3	E 4	13	21
4			
5	E24	15	17
6	L37	3	39
7			
8	I24	15	27
9	F15	11	17
10			
11	B31	10	13
12	C 7	23	17
13	C22	X	2
14	E 4	23	21
15	F15	23	17
16	B32	14	13
17	C22	X	2
18	G21	13	19
19	C 7	18	17
20	C 7	8	17
21	E 4	18	21
22	E 4	8	21
23	F15	18	17
24	F15	8	15
25	C22	X	2
26	B33	10	15
27	B34	14	15
28	C22	X	2

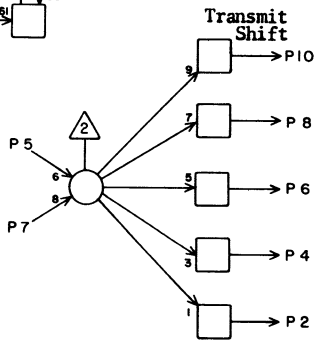
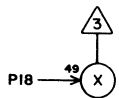
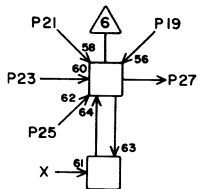
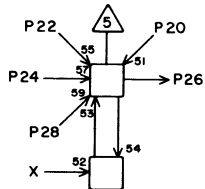
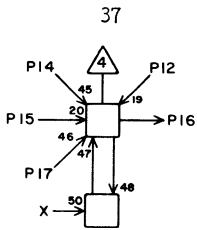
JACK PIN LG

63017200 Rev E

8C22



OPERATING
REG. X1



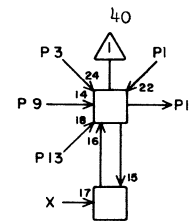
KG

8C23

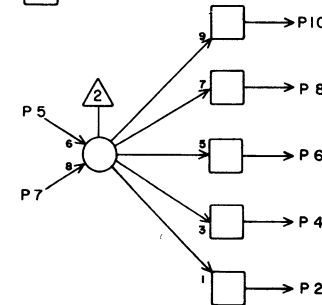
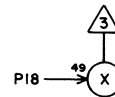
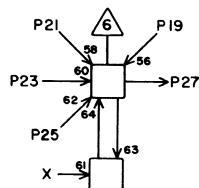
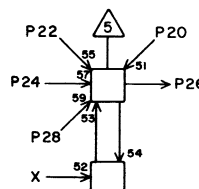
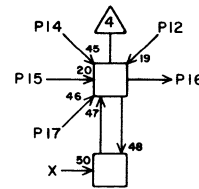
1	B 5	11	21
2	G16	15	23
3	D01	11	23
4	H24	4	7
5	G01	28	31
6	I23	2	27
7			
8	F22	18	15
9	A15	9	15
10			
11	A27	14	11
12	B 5	21	19
13	A17	6	15
14	D01	21	23
15	A15	21	13
16	A28	10	13
17	A17	5	15
18	G21	16	19
19	B 5	20	19
20	B 5	10	21
21	D01	20	23
22	D01	10	23
23	A15	20	15
24	A15	10	15
25	A17	7	15
26	A29	14	13
27	A30	10	15
28	A17	2	15

JACK PIN LG

63017200 Rev. AA



OPERATING
REG. X1



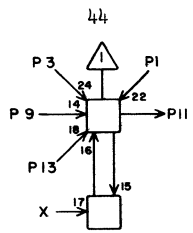
KG

8C24

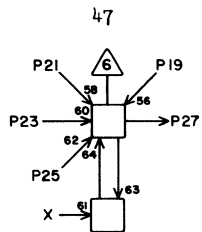
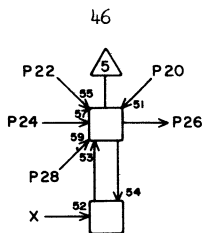
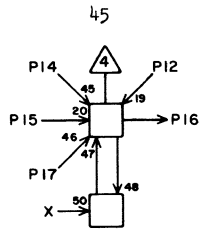
1	B 7	11	19
2	G33	7	21
3	D 3	11	23
4	G33	8	21
5	F18	9	19
6	G33	27	25
7			
8	G33	14	43
9	B15	9	13
10	O32	12	51
11	A31	14	13
12	B 7	21	19
13	A17	9	13
14	D 3	21	23
15	B15	21	13
16	A32	10	15
17	A17	12	15
18	G21	18	19
19	B 7	20	19
20	B 7	10	19
21	D 3	20	23
22	D 3	10	23
23	B15	20	13
24	B15	10	13
25	A18	5	15
26	A33	14	15
27	A34	10	17
28	A18	6	15

JACK PIN LG

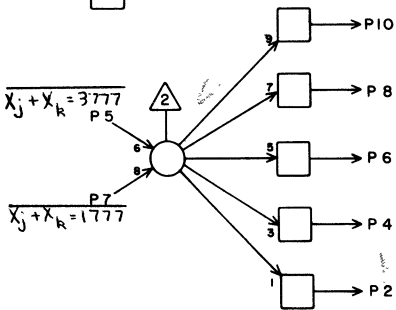
63017200 Rev. AA



OPERATING
REG. X1



$$\overline{\text{Exp.}} = 1777 + 3777$$

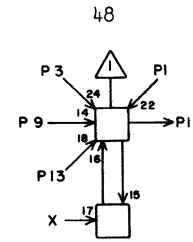


KG 8C25

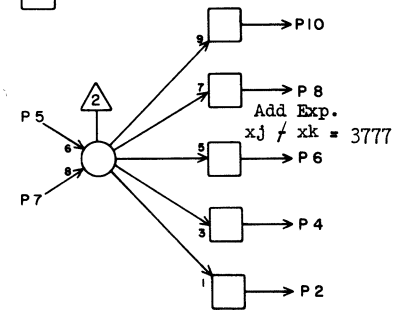
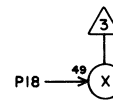
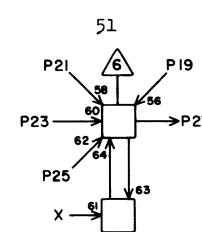
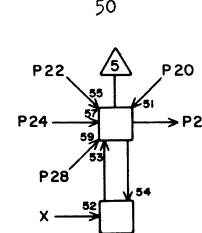
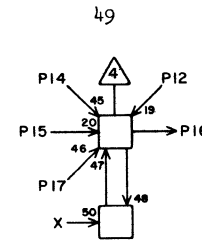
1	C01	11	25
2	K42 G18	26 2	20 21
3	D 5	11	21
4	D21	7	21
5	G18	18	23
6	L30	3	37
7	G17	12	25
8			
9	C15	9	13
10			
11	A35	14	15
12	C01	21	25
13	A18	2	15
14	D 5	21	21
15	C15	21	13
16	A36	10	17
17	A18	7	15
18	G21	20	19
19	C01	20	25
20	C01	10	25
21	D 5	20	21
22	D 5	10	21
23	C15	20	13
24	C15	10	13
25	A18	12	15
26	A37	14	17
27	A38	10	17
28	A18	9	15

JACK PIN LG

63017200 Rev.S



OPERATING
REG. X1



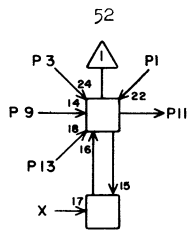
8C26

KG 8C26

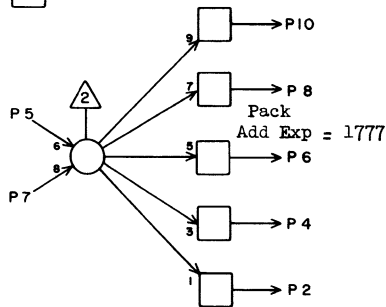
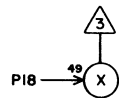
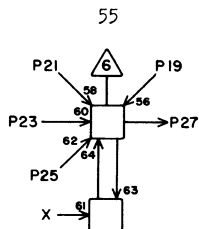
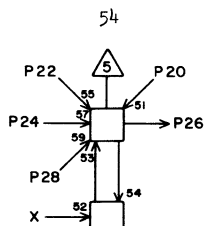
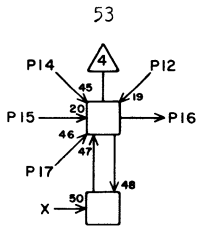
1	C03	11	23
2			
3	D 7	11	21
4			
5	Q23	23	55
6	G18	26	23
7			
8			
9	D15	9	15
10			
11	A39	14	17
12	C 3	21	23
13	A19	6	15
14	D 7	21	21
15	D15	21	15
16	A40	10	19
17	A19	5	15
18	G21	22	19
19	C 3	20	25
20	C 3	10	23
21	D 7	20	21
22	D 7	10	21
23	D15	20	15
24	D15	10	13
25	A19	7	15
26	A41	14	19
27	A42	10	19
28	A19	2	15

JACK PIN LG

63017200 Rev. T



OPERATING
REG. X1

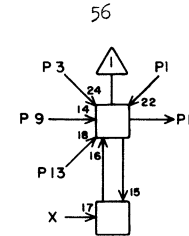


KG 8c27

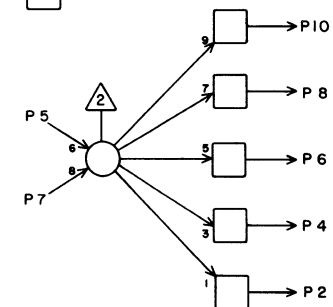
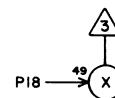
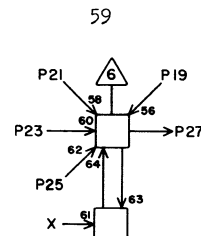
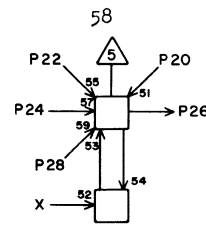
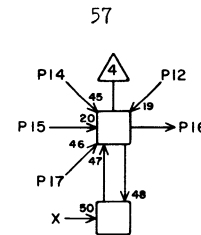
1	C05	11	23
2	G17	8	23
3	E 2	11	27
4	K29	2	33
5	O32	16	49
6			
7			
8	G18	22	23
9	E15	9	17
10			
11	B27	14	7
12	C 5	21	23
13	A19	9	15
14	E 2	21	27
15	E15	21	17
16	B28	10	7
17	A19	12	15
18	G21	17	19
19	C 5	20	23
20	C 5	10	23
21	E 2	20	27
22	E 2	10	27
23	E15	20	17
24	E15	10	17
25	A20	5	15
26	B29	14	9
27	B30	10	9
28	A20	6	15

JACK PIN LG

63017200 Rev. E



OPERATING
REG. X1

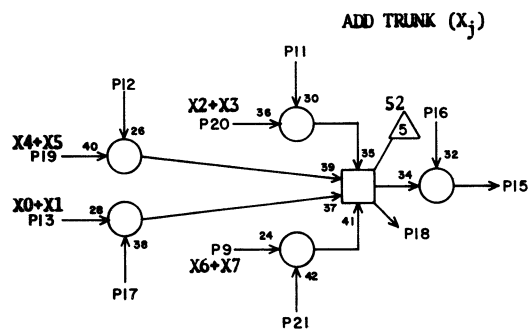
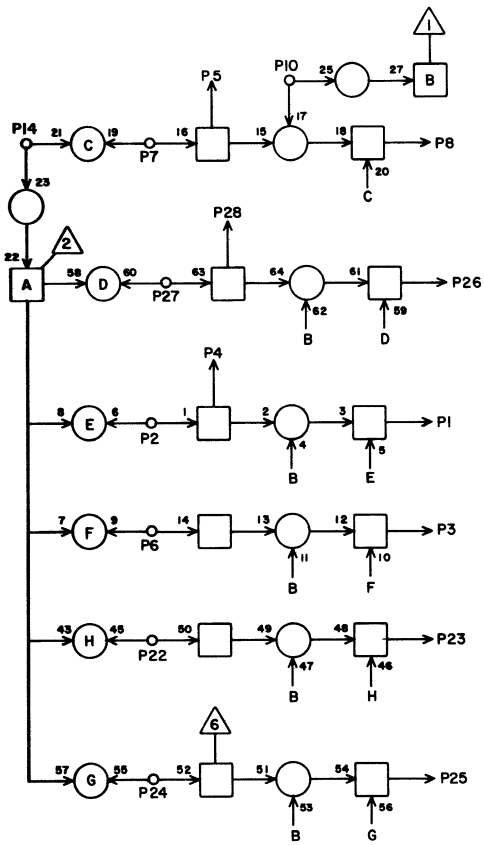


KG 8c28

1	C07	11	23
2	F20	18	23
3	E 4	11	25
4	F21	18	23
5	D22	8	15
6	F26	18	17
7			
8	K39	4	35
9	F15	9	19
10			
11	B31	14	7
12	C 7	21	21
13	A20	2	15
14	E 4	21	25
15	F15	21	19
16	B32	10	9
17	A20	7	15
18	G21	19	19
19	C 7	20	23
20	C 7	10	23
21	E 4	20	25
22	E 4	10	25
23	F15	20	19
24	F15	10	19
25	A20	12	15
26	B33	14	11
27	B34	10	11
28	A20	9	15

JACK PIN LG

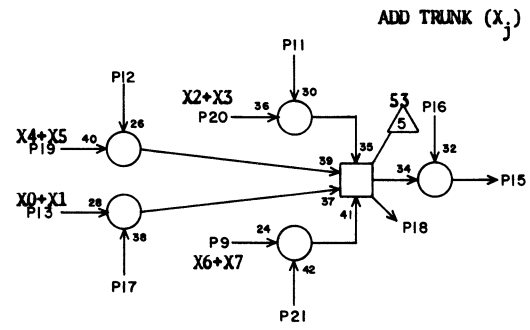
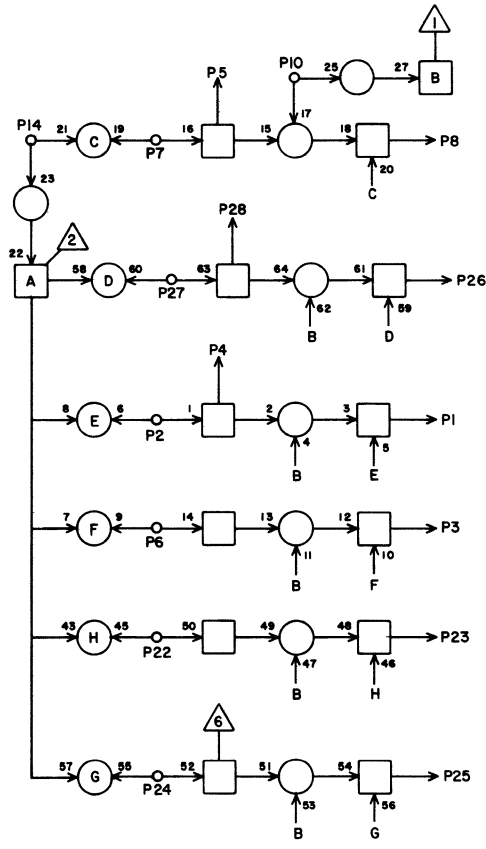
63017200 Rev. E



RL **8C29**

1	A11	20	29
2	E40	13	17
3	C11	20	19
4	C30	22	5
5	C30	6	3
6	C30	5	5
7	C38	13	13
8	A35	20	13
9	G35	22	21
10	D19	11	13
11	F38	13	17
12	F40	13	19
13	B27	8	9
14	D25	11	9
15	L05	7	41
16	C14	27	17
17	F36	13	17
18	J19	10	33
19	E33	22	13
20	C37	22	11
21	F42	13	19
22	C30	4	5
23			
24	C30	28	5
25	E11	20	21
26	B35	20	11
27	C42	13	15
28	C30	24	5

JACK PIN LG
63017200 Rev. E

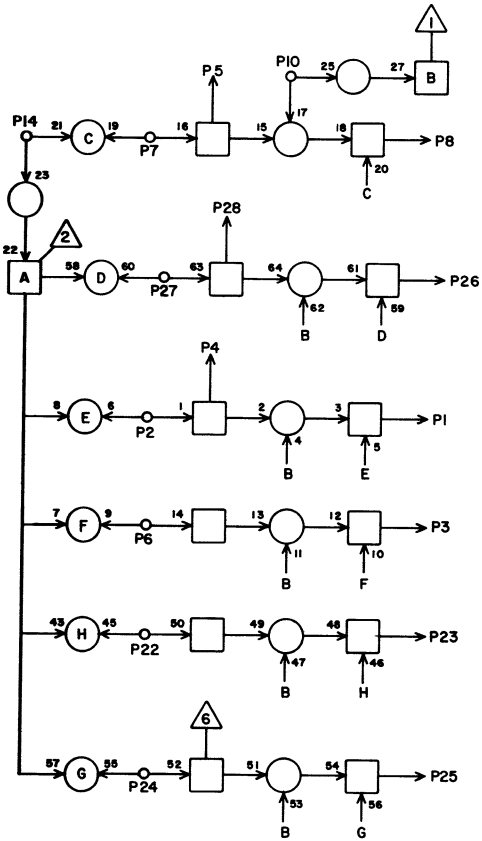


RL **8C30**

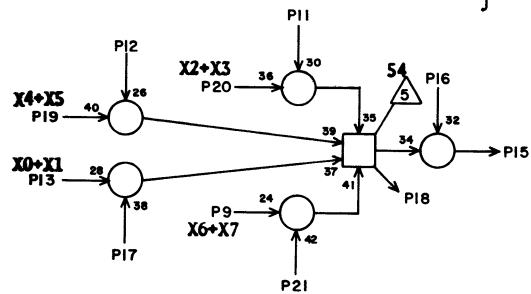
1			
2			
3	A36	20	13
4	C29	22	5
5	C29	6	5
6	C29	5	3
7	D40	13	13
8	C12	4	19
9	G36	21	21
10	D25	16	9
11	F38	14	17
12	F40	14	17
13	B28	3	9
14	D19	16	15
15	L05	21	43
16	C14	25	19
17	F36	14	15
18	J19	22	33
19	E34	21	13
20	C38	21	11
21	F42	14	19
22	C29	4	5
23	A12	4	23
24	C29	28	5
25	B36	20	11
26	E12	4	21
27	E36	13	13
28	C29	24	5

JACK PIN LG
63017200 Rev. F

8C30



ADD TRUNK (X_j)



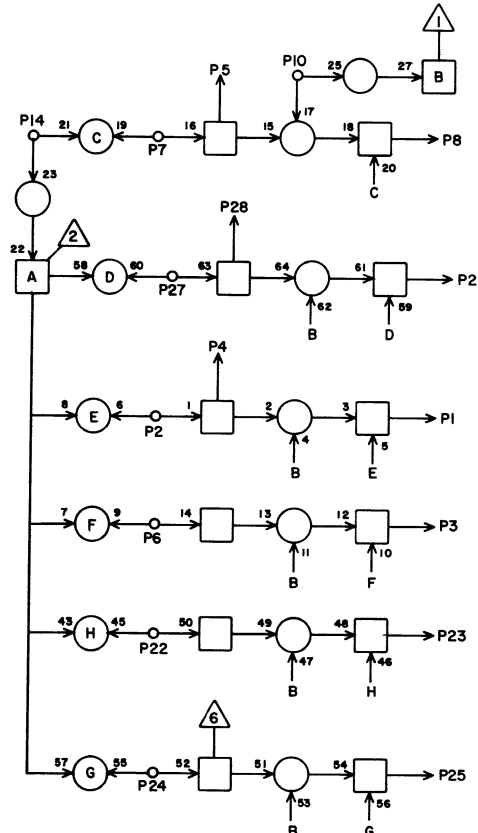
RL

8C31

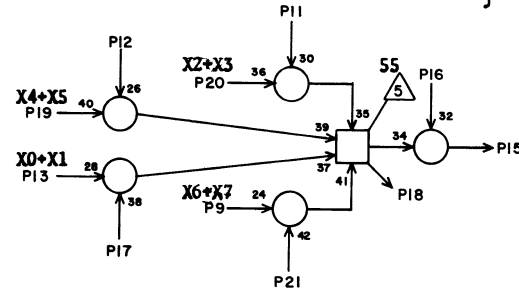
1	A12	16	25
2	B40	14	15
3	C12	16	21
4	C32	22	5
5	C32	6	3
6	C32	5	5
7	C38	14	9
8	A37	20	13
9	G37	22	21
10	D19	26	15
11	F38	15	17
12	F40	15	17
13	B29	8	9
14	D25	26	11
15	L06	7	41
16	C14	24	19
17	F36	15	15
18	J20	28	35
19	E35	22	13
20	C39	22	11
21	F42	15	17
22	C32	4	5
23			
24	C32	28	5
25	E12	16	23
26	B37	20	11
27	C42	14	13
28	C32	24	5

JACK PIN LG

63017200 Rev. E



ADD TRUNK (X_j)



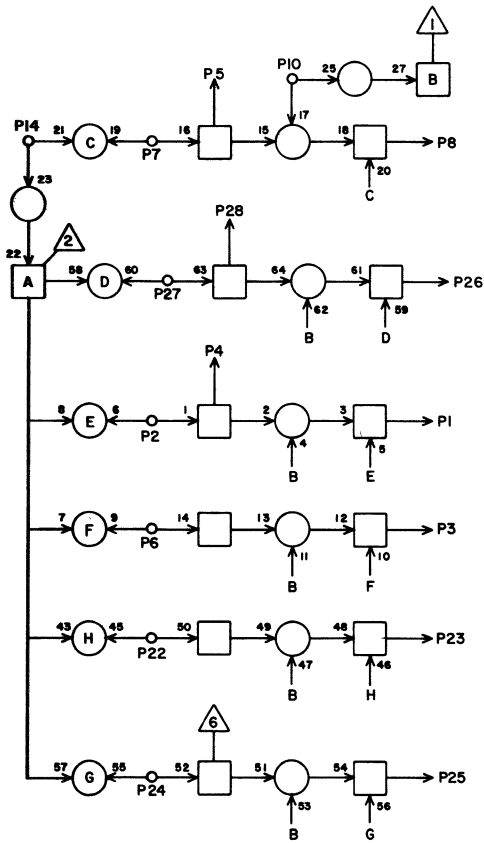
RL

8C32

1			
2			
3	A38	20	13
4	C31	22	5
5	C31	6	5
6	C31	5	3
7	D40	14	13
8	C12	20	21
9	G38	21	21
10	D25	27	11
11	F38	16	17
12	F40	16	17
13	B30	3	9
14	D19	27	15
15	L06	21	43
16	C14	23	19
17	F36	16	15
18	J20	25	35
19	E36	21	13
20	C40	21	11
21	F42	16	17
22	C31	4	5
23	A12	20	31
24	C31	28	5
25	B38	20	11
26	E12	20	23
27	E36	14	11
28	C31	24	5

JACK PIN LG

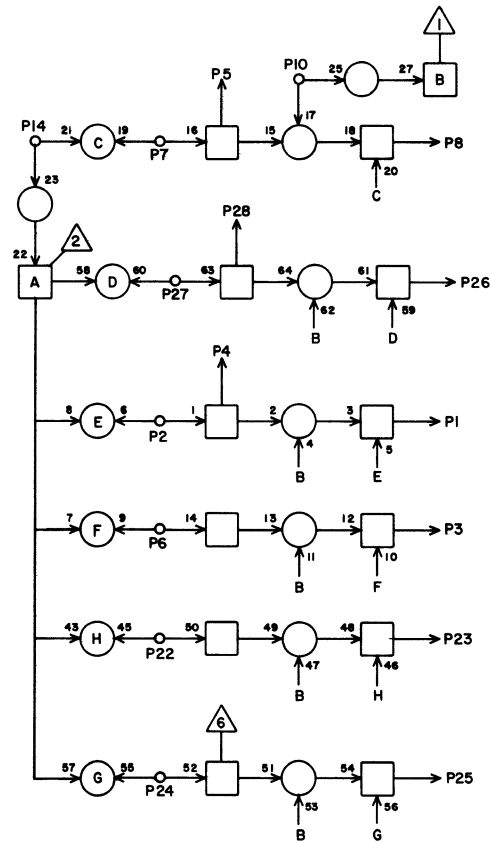
63017200 Rev. E



RL 8 C33

1	B09	4	25
2	E40	15	15
3	D09	4	25
4	C34	22	5
5	C34	6	3
6	C34	5	5
7	C38	15	7
8	A39	20	13
9	G39	22	21
10	D20	11	15
11	F38	24	17
12	F40	24	17
13	B31	8	9
14	D26	11	11
15	L07	7	43
16	C14	6	21
17	F36	24	15
18	J20	1	33
19	E37	22	13
20	C41	22	11
21	F42	24	17
22	C34	4	5
23			
24	C34	28	5
25	F09	4	27
26	B39	20	11
27	C42	15	13
28	C34	24	5

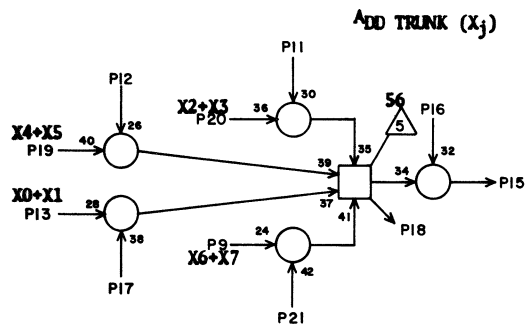
JACK PIN LG



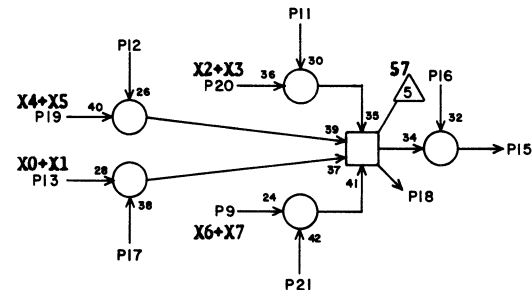
RL 8 C34

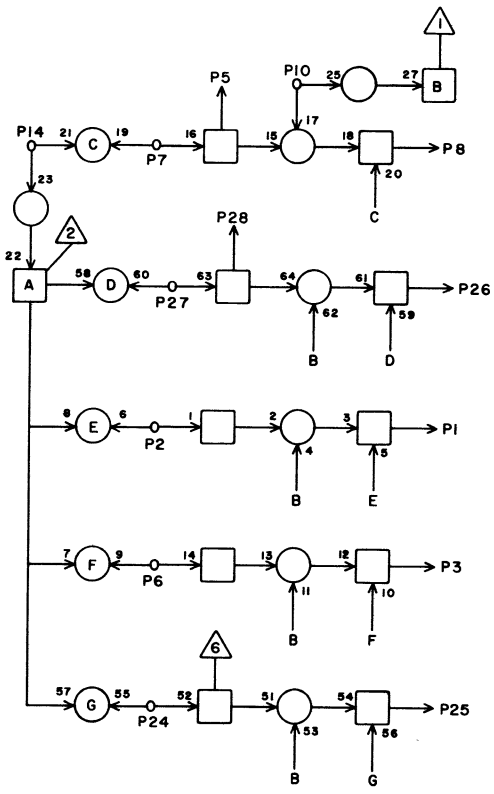
1			
2			
3	A40	20	13
4	C33	22	5
5	C33	6	5
6	C33	5	3
7	D40	15	11
8	D09	16	25
9	G40	21	21
10	D26	16	13
11	F38	26	17
12	F40	26	17
13	B32	3	9
14	D20	16	17
15	L07	21	43
16	C14	7	21
17	F36	26	15
18	J20	4	33
19	E38	21	13
20	C42	21	11
21	F42	26	17
22	C33	4	5
23	B09	16	25
24	C33	28	5
25	B40	20	11
26	F09	16	27
27	E36	15	11
28	C33	24	5

JACK PIN LG



ADD TRUNK (X_j)

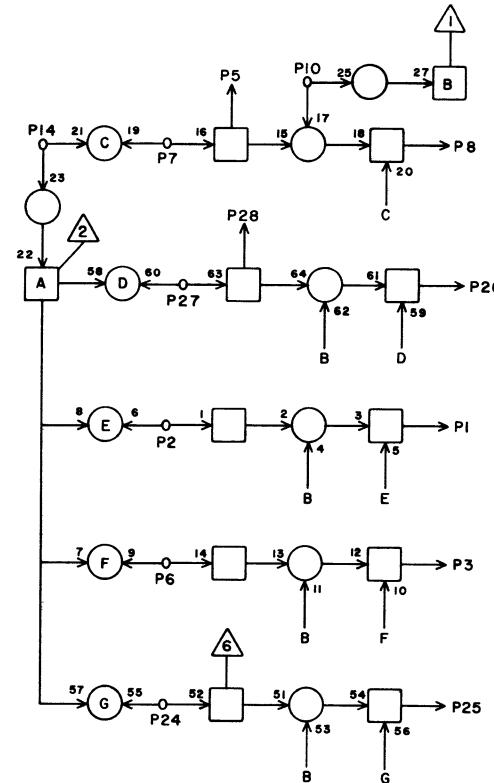
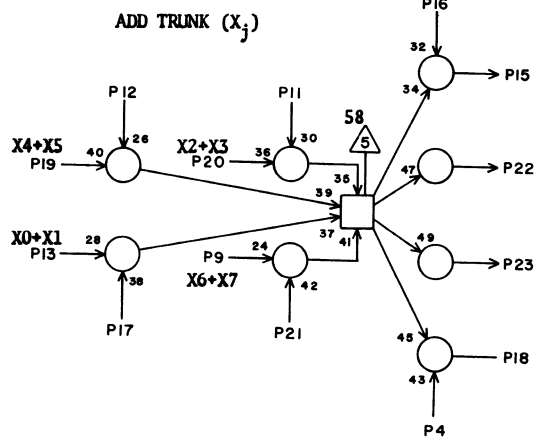




RO 8C35

1	B09	20	25
2	E40	16	13
3	D09	20	27
4			
5	C36	6	3
6	C36	5	5
7	C38	16	7
8	A41	20	13
9	G41	22	21
10	D20	26	17
11	F38	27	17
12	F40	27	17
13	B33	8	9
14	D26	26	13
15	L08	7	43
16	C14	4	23
17	F36	27	15
18	J20	10	35
19	E39	22	13
20	D29	8	9
21	F42	27	17
22	J20	22	33
23			
24	C36	28	5
25	F09	20	29
26	B41	20	11
27	C42	16	9
28	C36	24	5

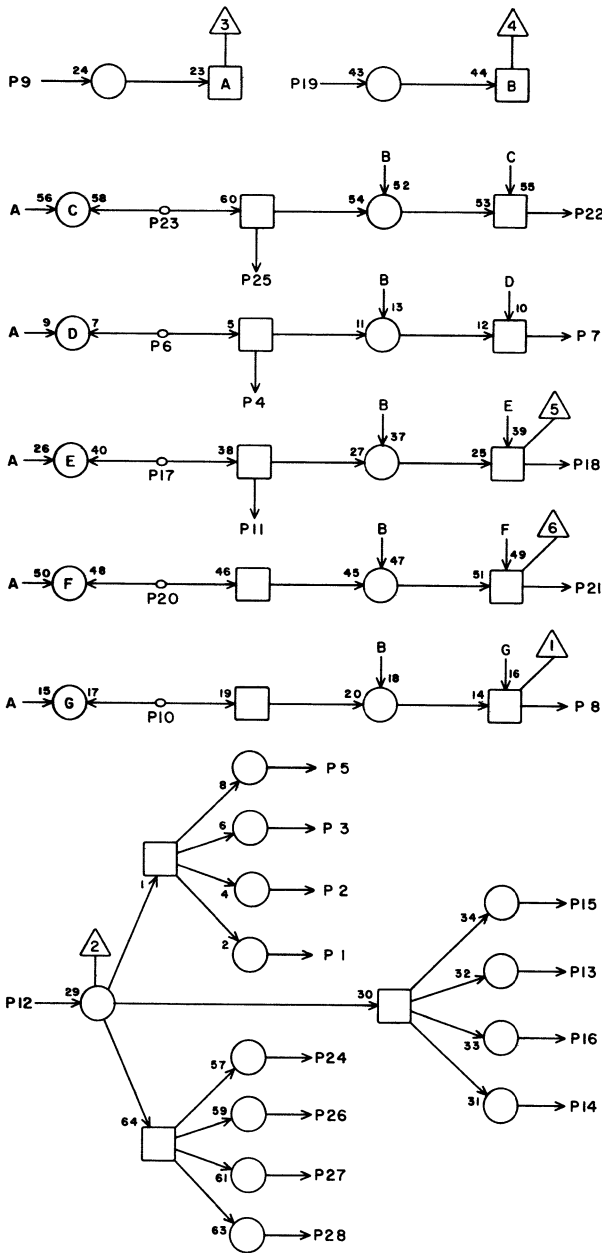
63017200 Rev. 卩



RO 8C36

JACK	PIN	LG	
1	B10	4	27
2	B14	24	180
3	A42	20	13
4			
5	C35	6	5
6	C35	5	3
7	D40	16	9
8	D10	4	27
9	G42	21	19
10	D26	27	13
11	F38	28	17
12	F40	28	17
13	B34	3	9
14	D20	27	17
15	L08	21	43
16	C14	2	23
17	F36	28	15
18			
19	E40	21	13
20	D30	3	9
21	F42	28	17
22	J20	7	33
23	J19	7	33
24	C35	28	5
25	B42	20	11
26	F10	4	27
27	E36	16	11
28	C35	24	5

63017200 Rev. 卩

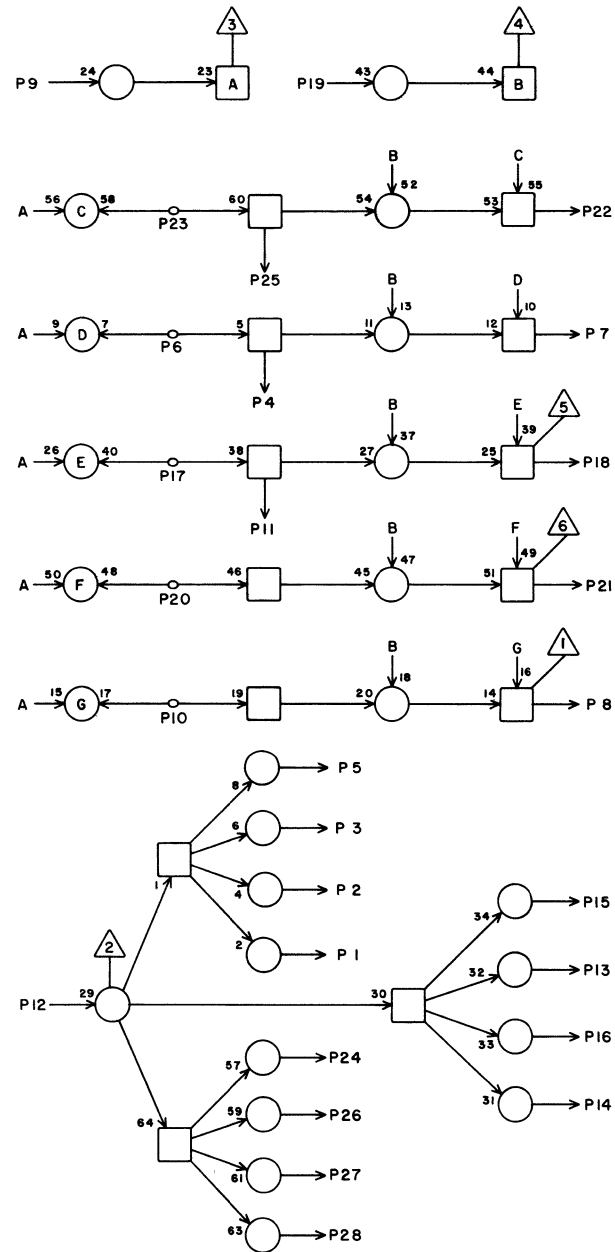


RJ **8C37**

1	A27	7	15
2	A29	7	13
3	A31	7	13
4	C38	10	5
5	A33	7	13
6	C42	24	9
7	D29	20	13
8	F10	16	29
9	D27	11	13
10	C38	4	5
11	C38	17	5
12	A13	2	27
13	A35	7	13
14	A37	7	13
15	A39	7	13
16	A41	7	13
17	E40	24	13
18	B10	16	27
19	D21	11	17
20	C38	25	5
21	D10	16	27
22	C29	20	11
23	C38	24	3
24	B27	7	13
25	C38	20	5
26	B29	7	13
27	B31	7	11
28	B33	7	11

JACK PIN LG

63017200 Rev. E



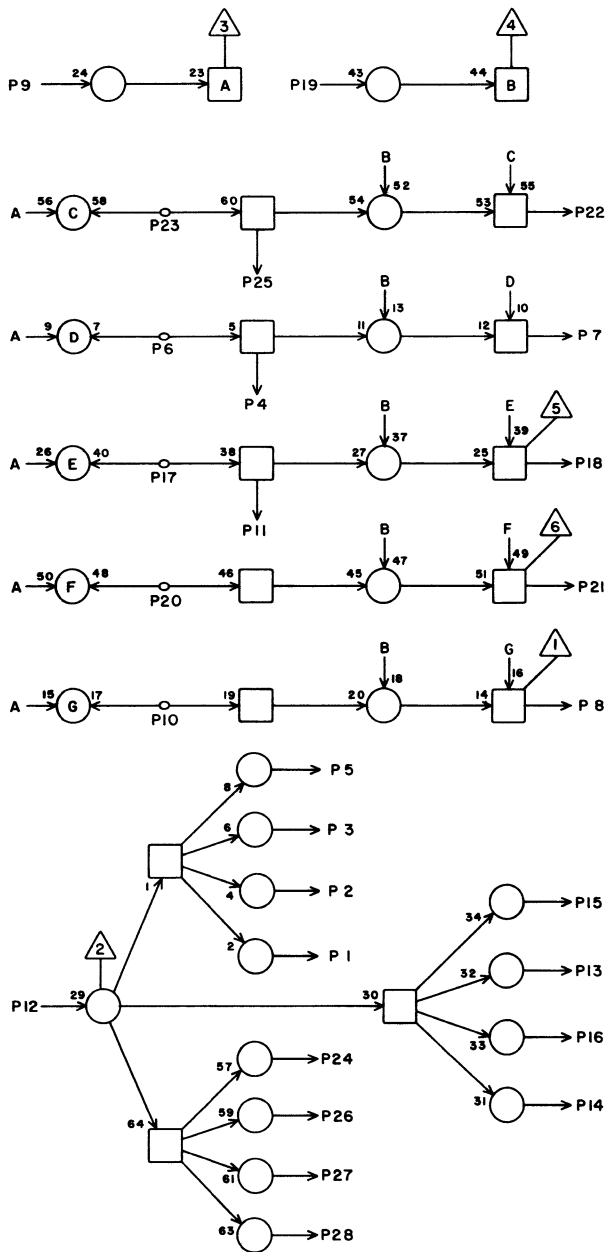
RJ **8C38**

1	B35	7	7
2	B37	7	7
3	B39	7	7
4	C37	10	5
5	B41	7	9
6	E36	24	13
7	F10	20	31
8	D30	20	13
9	D21	16	19
10	C37	4	5
11			
12	A13	4	27
13	C29	7	13
14	C31	7	9
15	C33	7	7
16	C35	7	7
17	C37	11	5
18	B10	20	29
19	D27	16	15
20	C37	25	5
21	C30	20	11
22	D10	20	27
23	D40	24	7
24	C37	23	3
25	C37	20	5
26	C39	23	5
27	C41	23	7
28	D29	7	13

JACK PIN LG

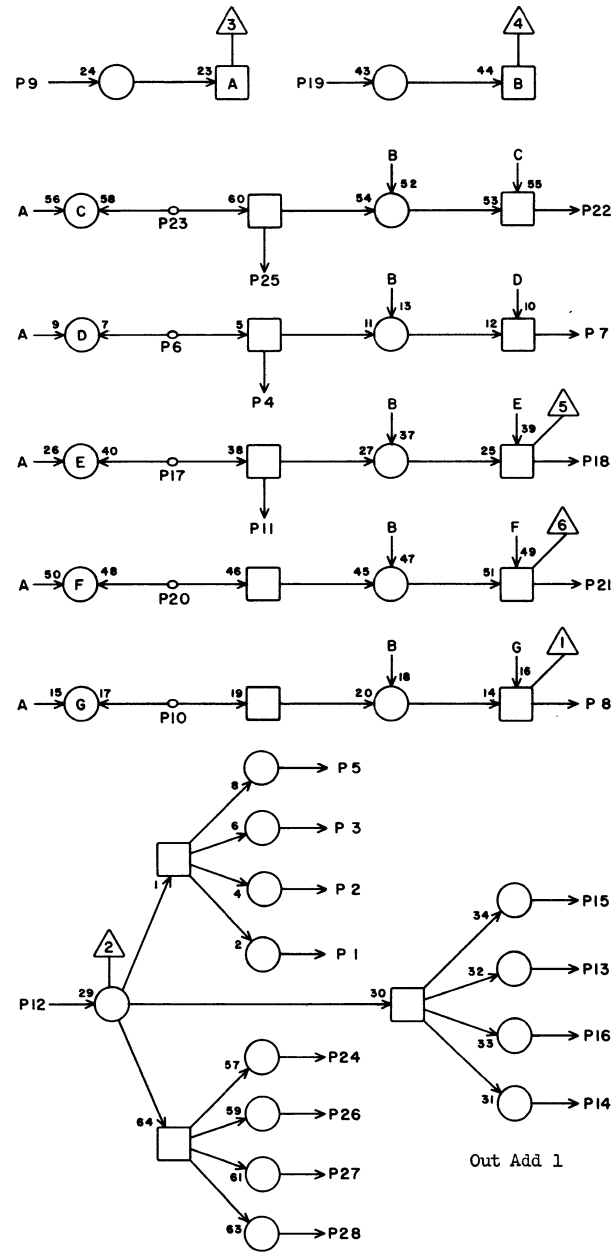
63017200 Rev. E

8C38



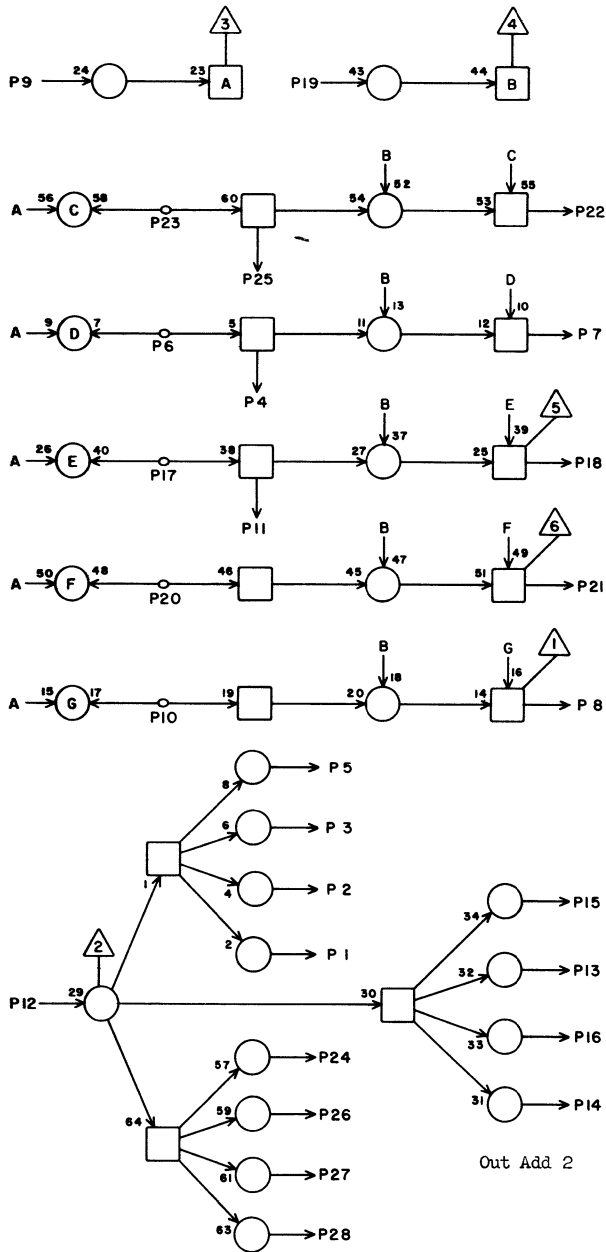
RJ		8C39	
1	D31	7	13
2	D33	7	11
3	D35	7	9
4	C40	10	5
5	D37	23	9
6	C42	26	7
7	D31	20	13
8	F11	4	29
9	D27	26	15
10	C40	4	5
11	C40	17	5
12	A13	7	27
13	D39	23	9
14	D41	23	9
15	E29	23	15
16	E31	23	15
17	E40	26	13
18	B11	4	29
19	D21	26	21
20	C40	25	5
21	D11	4	29
22	C31	20	11
23	C38	26	5
24	E33	23	13
25	C40	20	5
26	E35	23	13
27	E37	23	11
28	E39	23	11
	JACK	PIN	LG

63017200 Rev. F



RJ		8C40	
1	E41	23	13
2	F29	23	19
3	F31	23	19
4	C39	10	5
5	F33	23	17
6	E36	26	13
7	F11	16	33
8	D32	20	13
9	D21	27	21
10	C39	4	5
11			
12	A13	23	27
13	F35	23	17
14	F37	23	15
15	F39	23	15
16	F41	23	15
17	C39	11	5
18	B11	16	29
19	D27	27	15
20	C39	25	5
21	C32	20	11
22	D11	16	29
23	D40	26	7
24	G35	23	19
25	C39	20	5
26	G37	23	19
27	G39	23	19
28	G41	23	19
	JACK	PIN	LG

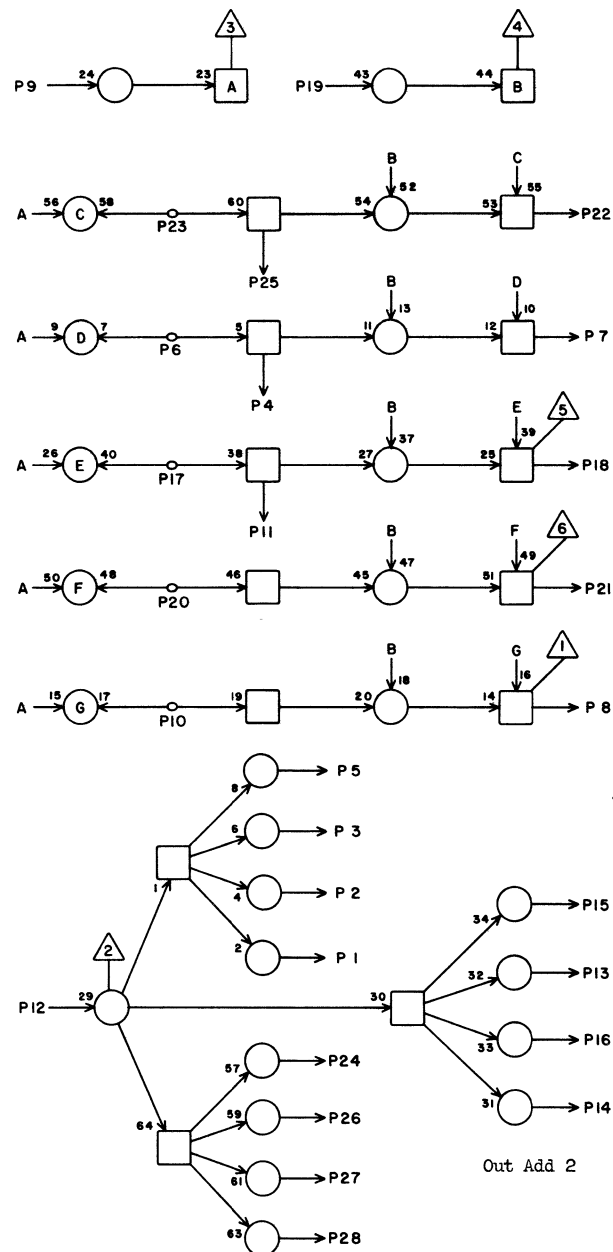
63017200 Rev. E



RJ 8C41

1	A27	27	17
2	A29	27	15
3	A31	27	15
4	C42	10	5
5	A33	27	13
6	C42	27	5
7	D33	20	13
8	F11	20	33
9	D28	11	15
10	C42	4	5
11	C42	17	5
12	A14	2	29
13	A35	27	13
14	A37	27	11
15	A39	27	11
16	A41	27	11
17	E40	27	13
18	B11	20	29
19	D22	11	21
20	C42	25	5
21	D11	20	29
22	C33	20	11
23	C38	27	7
24	B27	27	17
25	C42	20	5
26	B29	27	15
27	B31	27	13
28	B33	27	11
	JACK	PIN	LG

63017200 Rev. P

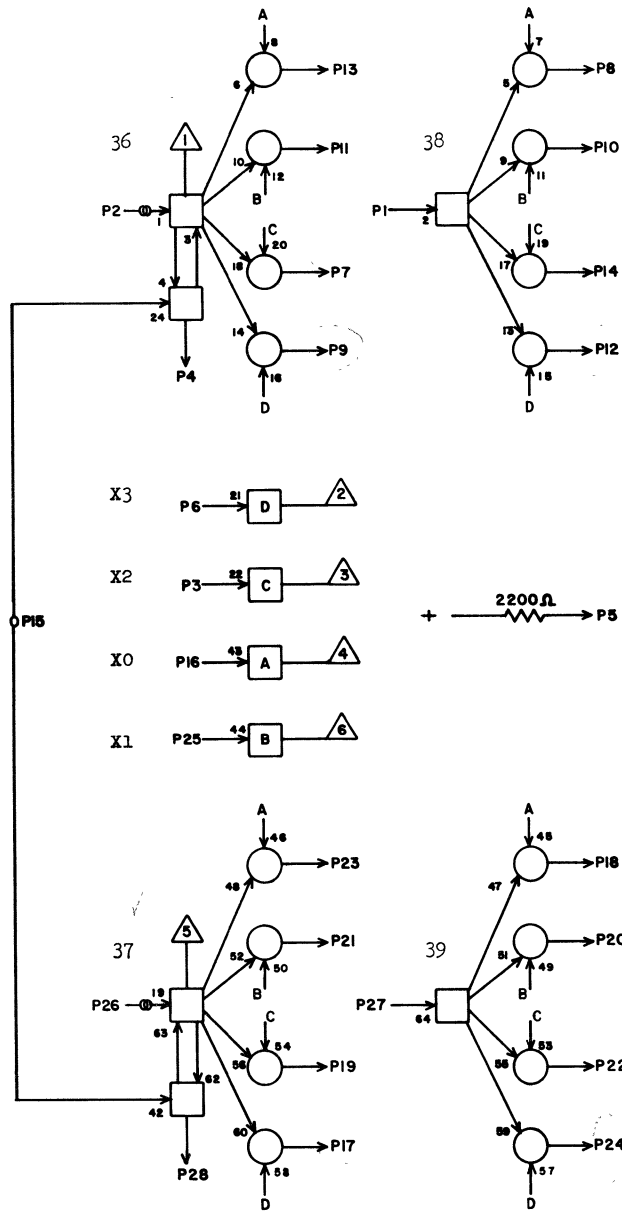


RJ 8C42

1	B35	27	11
2	B37	27	17
3	B39	27	7
4	C41	10	5
5	B41	27	5
6	B36	27	15
7	F12	4	33
8	D34	20	13
9	D22	16	23
10	C41	4	5
11			
12	A14	4	29
13	C29	27	15
14	C31	27	13
15	C33	27	13
16	C35	27	9
17	C41	11	5
18	B12	4	29
19	D28	16	17
20	C41	25	5
21	C34	20	11
22	D12	4	29
23	D40	27	9
24	C37	6	9
25	C41	20	5
26	C39	6	7
27	C41	6	5
28	D29	27	15
	JACK	PIN	LG

63017200 Rev. P

ADD TRUNK (X_i)

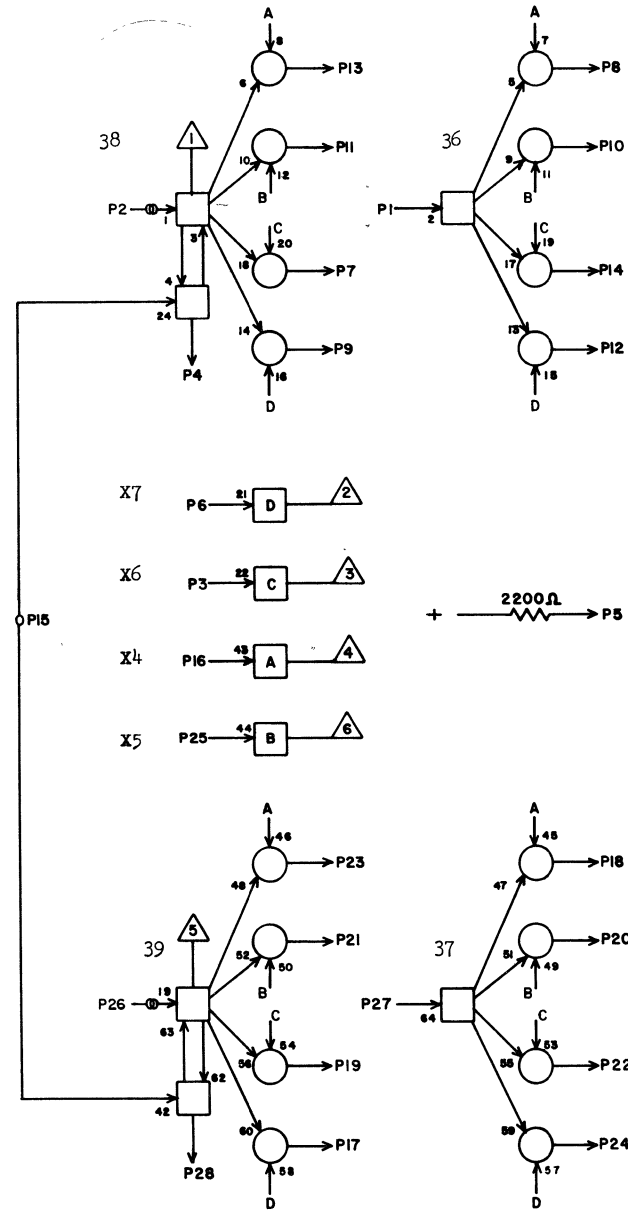


RA 8D01

1	DO2	4	3
2	H11	1	21
3	E14	3	15
4	DO2	1	5
5			
6	E14	15	17
7	D17	3	17
8	C17	22	17
9	D23	3	23
10	C23	22	23
11	C23	3	23
12	D23	22	23
13	C17	3	19
14	D17	22	17
15	GO4	15	15
16	E13	3	15
17	D23	14	23
18	C17	21	19
19	D17	14	17
20	C23	21	23
21	C23	14	23
22	D17	21	17
23	C17	14	19
24	D23	21	23
25	E13	15	15
26	H11	6	19
27	DO2	28	3
28	DO2	27	5

JACK PIN LG

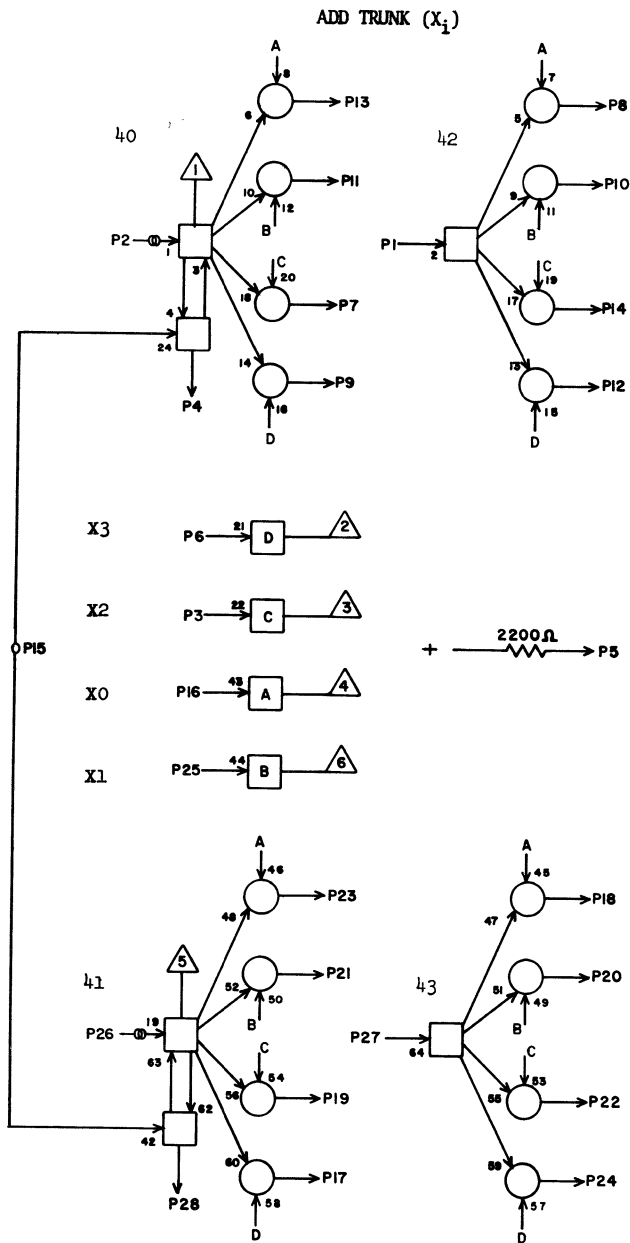
ADD TRUNK (X_i)



RA 8D02

1	DO1	4	5
2	H11	23	23
3	F14	3	17
4	DO1	1	3
5			
6	F14	15	17
7	F17	22	19
8	E17	3	17
9	F23	22	23
10	E23	3	23
11	E23	22	23
12	F23	3	23
13	E17	22	17
14	F17	3	19
15	GO4	7	15
16	F13	3	15
17	F23	21	23
18	E17	4	17
19	F17	21	19
20	E23	4	23
21	E23	21	21
22	F17	4	19
23	E17	21	17
24	F23	4	23
25	F13	15	15
26	H11	28	21
27	DO1	28	5
28	DO1	27	3

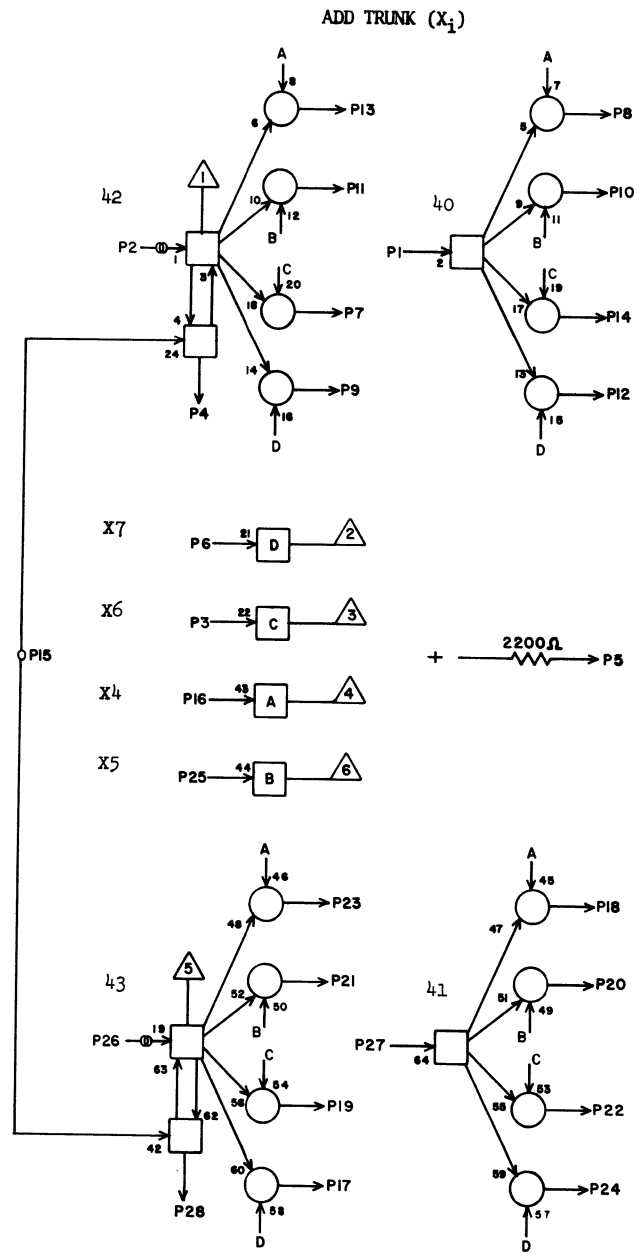
JACK PIN LG



RA		8D03	
1	DO4	4	3
2	H12	1	21
3	E14	5	13
4	DO4	1	5
5			
6	E14	18	15
7	D18	3	17
8	C18	22	17
9	D24	3	23
10	C24	22	23
11	C24	3	23
12	D24	22	23
13	C18	3	17
14	D18	22	17
15	G04	6	15
16	E13	5	13
17	D24	14	21
18	C18	21	17
19	D18	14	17
20	C24	21	23
21	C24	14	23
22	D18	21	17
23	C18	14	17
24	D24	21	23
25	E13	18	13
26	H12	6	19
27	DO4	28	3
28	DO4	27	5

JACK PIN LG

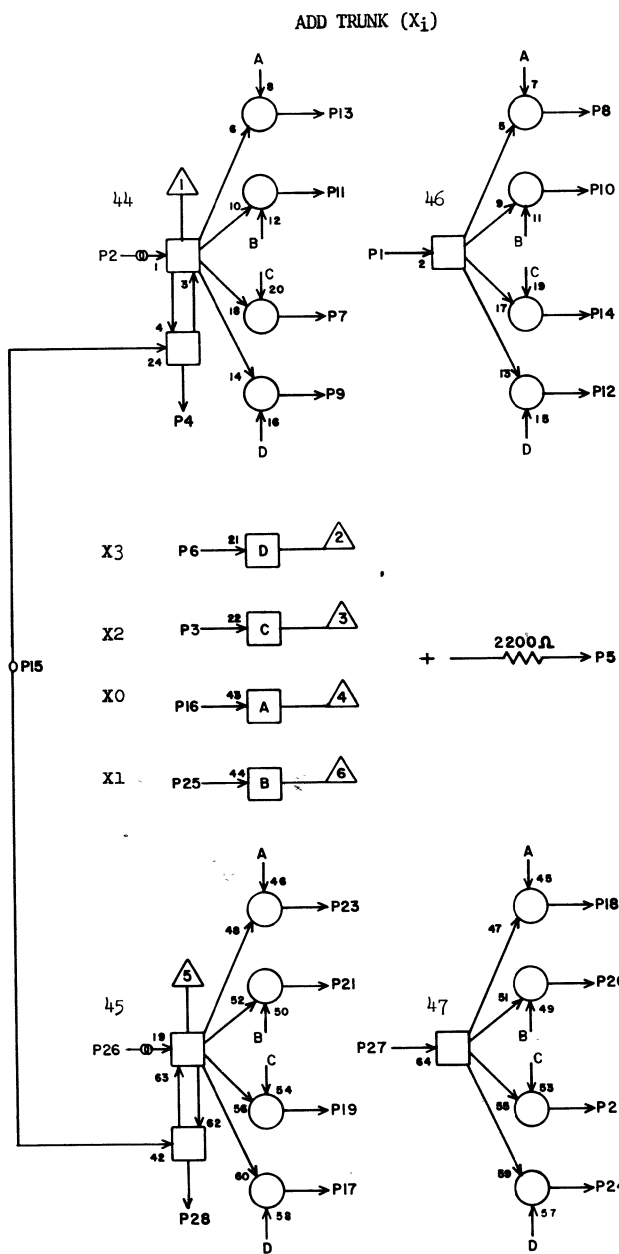
63017200 Rev. E



RA		8D04	
1	DO3	4	5
2	H12	23	23
3	F14	5	15
4	DO3	1	3
5			
6	F14	18	15
7	F18	22	17
8	E18	3	17
9	F24	22	23
10	E24	3	21
11	E24	22	21
12	F24	3	23
13	E18	22	17
14	F18	3	19
15	G04	4	15
16	F13	5	15
17	F24	21	23
18	E18	4	17
19	F18	21	17
20	E24	4	23
21	E24	21	21
22	F18	4	19
23	E18	21	17
24	F24	4	23
25	F13	18	15
26	H12	28	21
27	DO3	28	5
28	DO3	27	3

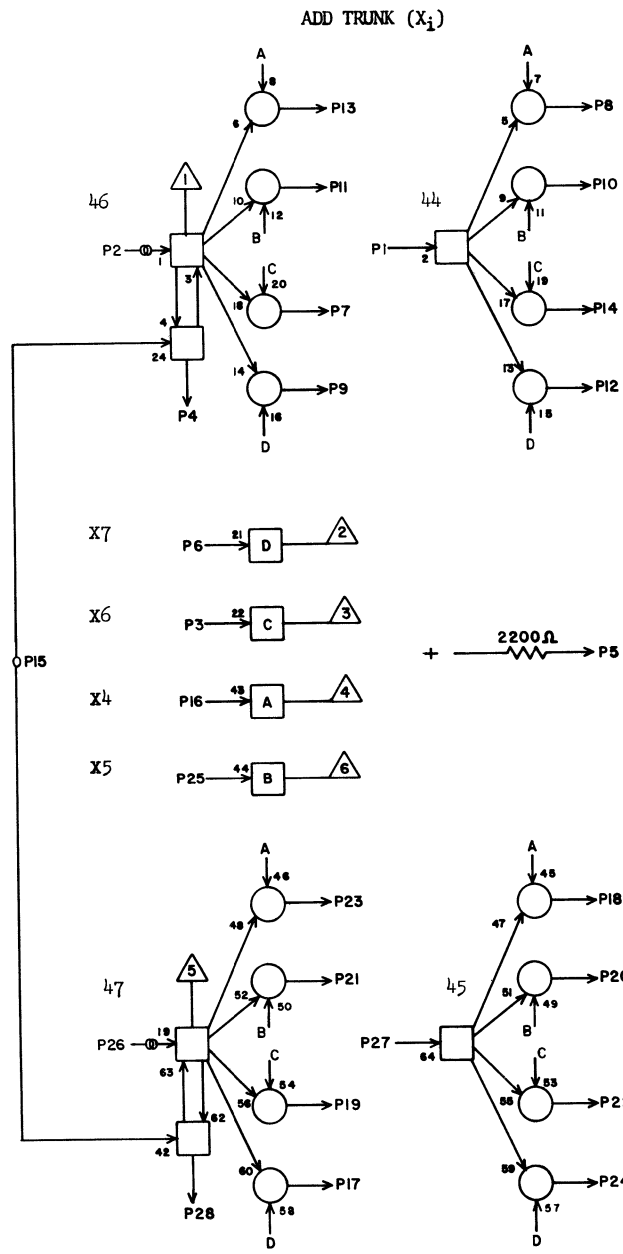
JACK PIN LG

63017200 Rev. E



RA		8D05	
JACK	PIN	PIN	LG
1	D06	4	3
2	H13	1	21
3	E14	8	13
4	D06	1	5
5			
6	E14	20	13
7	D19	3	15
8	C19	22	17
9	D25	3	21
10	C25	22	21
11	C25	3	21
12	D25	22	21
13	C19	3	17
14	D19	22	17
15	G04	9	15
16	E13	8	11
17	D25	14	21
18	C19	21	17
19	D19	14	15
20	C25	21	21
21	C25	14	21
22	D19	21	17
23	C19	14	17
24	D25	21	21
25	E13	20	11
26	H13	6	19
27	D06	28	3
28	D06	27	5

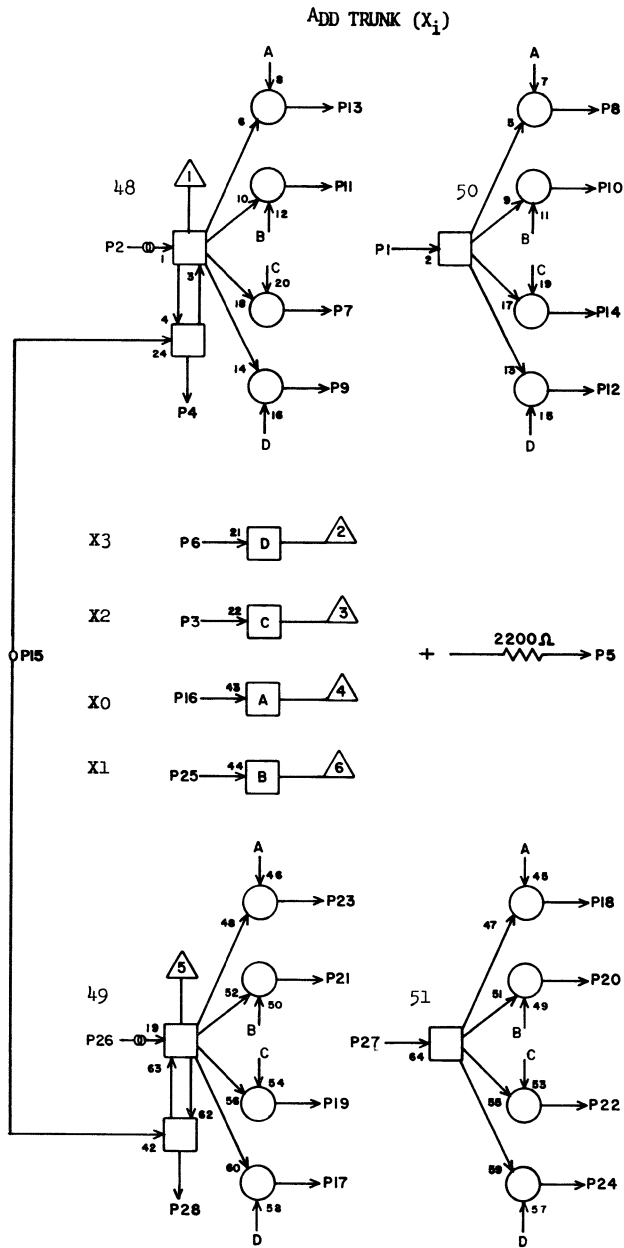
63017200 Rev. E



8D06

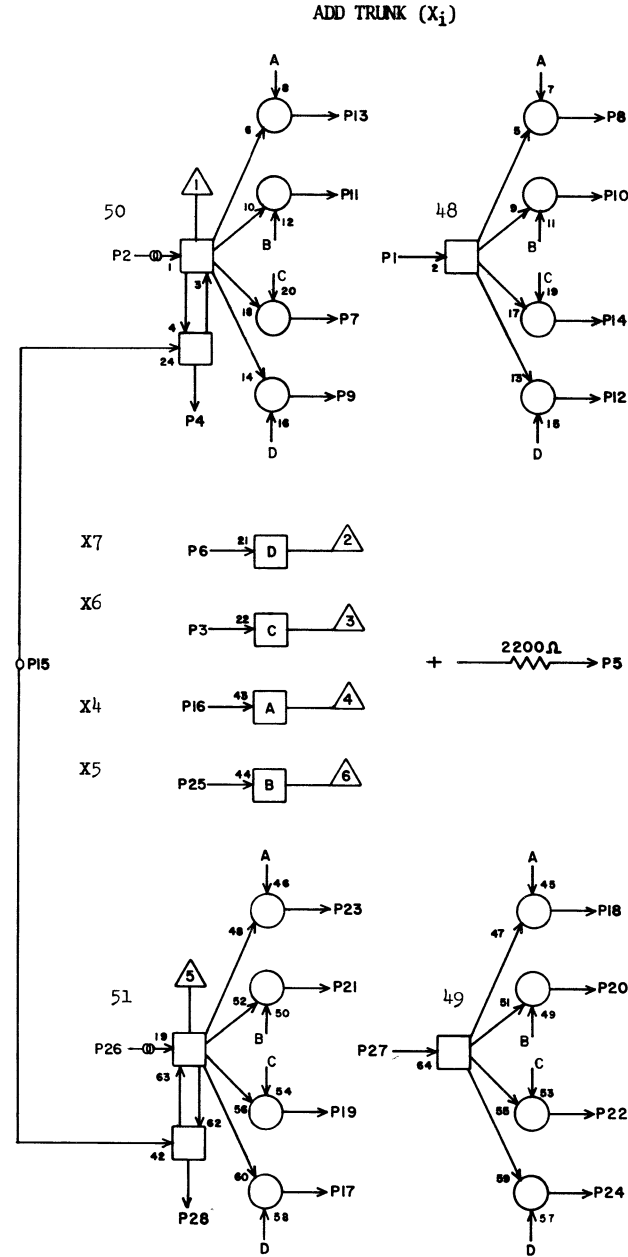
RA		8D06	
JACK	PIN	PIN	LG
1	D05	4	5
2	H13	23	21
3	F14	8	15
4	D05	1	3
5			
6	F14	20	15
7	F19	22	17
8	E19	3	17
9	F25	22	21
10	E25	3	21
11	E25	22	19
12	F25	3	23
13	E19	22	15
14	F19	3	17
15	G04	11	15
16	F13	8	13
17	F25	21	21
18	E19	4	17
19	F19	21	17
20	E25	4	21
21	E25	21	19
22	F19	4	17
23	E19	21	15
24	F25	4	23
25	F13	20	13
26	H13	28	19
27	D05	28	5
28	D05	27	3

63017200 Rev. E



RA		8D07	
1	D08	4	3
2	H14	1	19
3	E14	9	11
4	D08	1	5
5			
6	E14	21	13
7	D20	3	15
8	C20	22	15
9	D26	3	19
10	C26	22	21
11	C26	3	21
12	D26	22	21
13	C20	3	17
14	D20	22	15
15	G04	13	15
16	E13	9	11
17	D26	14	19
18	C20	21	17
19	D20	14	15
20	C26	21	21
21	C26	14	21
22	D20	21	15
23	C20	14	15
24	D26	21	21
25	E13	21	9
26	H14	6	19
27	D08	28	3
28	D08	27	5
	JACK	PIN	LG

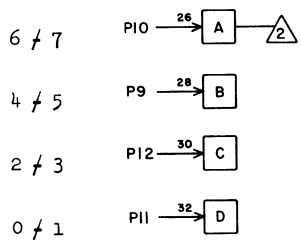
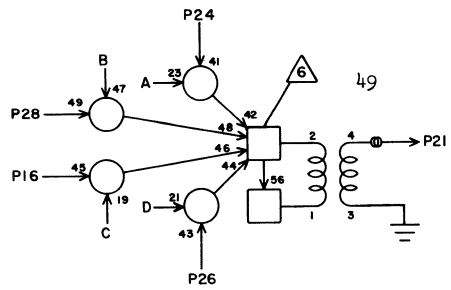
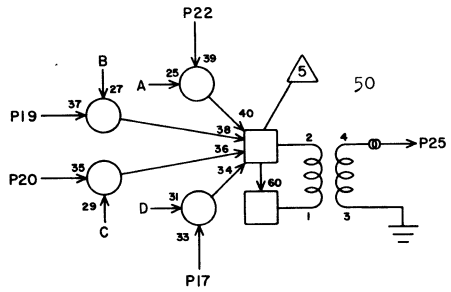
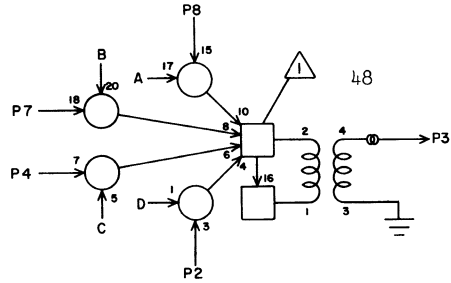
63017200 Rev. E



RA		8D08	
1	D07	4	5
2	H14	23	21
3	F14	9	13
4	D07	1	3
5			
6	F14	21	15
7	F20	22	17
8	E20	3	15
9	E26	22	21
10	E26	3	19
11	E26	22	19
12	F26	3	21
13	E20	22	15
14	F20	3	17
15	G04	1	15
16	F13	9	13
17	F26	21	21
18	E20	4	15
19	F20	21	15
20	E26	4	19
21	E26	21	19
22	F20	4	17
23	E20	21	15
24	F26	4	21
25	F13	21	13
26	H14	28	19
27	D07	28	5
28	D07	27	3
	JACK	PIN	LG

63017200 Rev. E

MULTIPLY TRUNK (X_k)



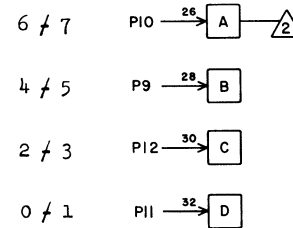
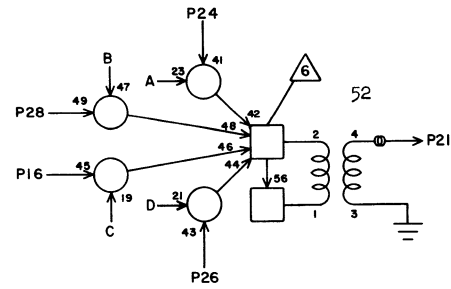
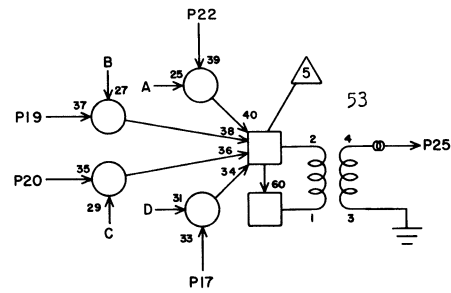
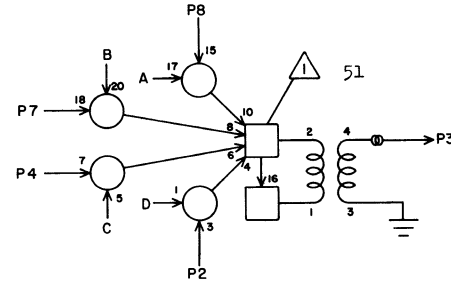
RG 8D09

1			
2	A39	3	31
3	W18	90	
4	C33	3	25
5			
6			
7	E29	21	21
8	F39	21	33
9	E34	13	25
10	E33	13	25
11	F30	13	23
12	F29	13	23
13			
14			
15			
16	C34	8	25
17	A41	3	33
18			
19	E31	21	27
20	C35	3	27
21	W18	91	
22	F41	21	33
23			
24	F40	22	33
25	W18	92	
26	A40	8	33
27			
28	E30	22	23

JACK PIN LG

63017200 Rev. E

MULTIPLY TRUNK (X_k)



RG 8D10

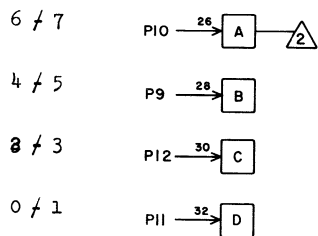
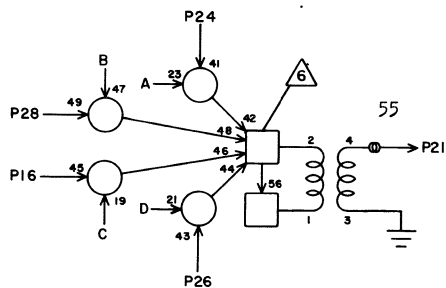
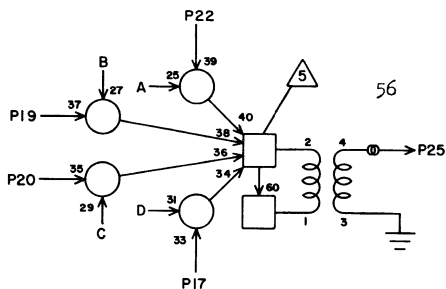
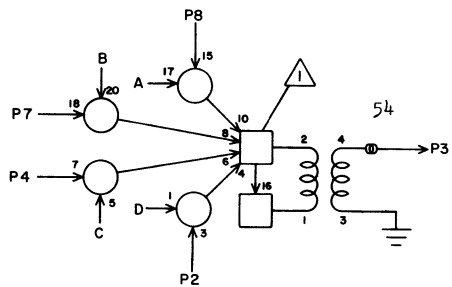
1			
2	A42	8	33
3	W18	93	
4	C36	8	27
5			
6			
7	E32	22	23
8	F42	22	33
9	E34	14	25
10	E33	14	25
11	F30	14	23
12	F39	14	23
13			
14			
15			
16	C37	21	27
17	B28	8	21
18			
19	E34	22	29
20	C38	22	27
21	W18	94	
22	G36	22	29
23			
24	G35	21	29
25	W12	95	
26	B27	3	21
27			
28	E33	21	27

JACK PIN LG

63017200 Rev. E

8D10

MULTIPLY TRUNK (X_k)



RG

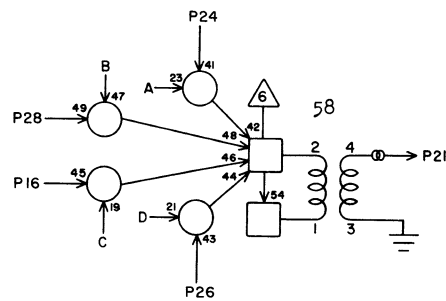
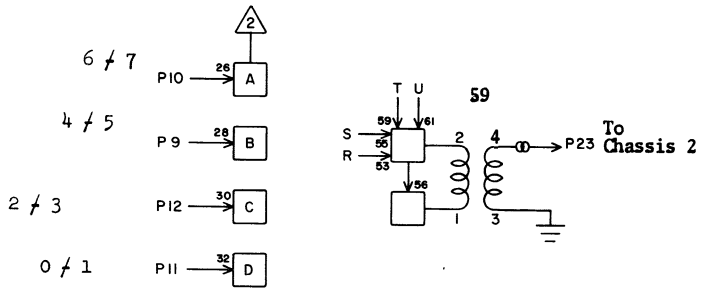
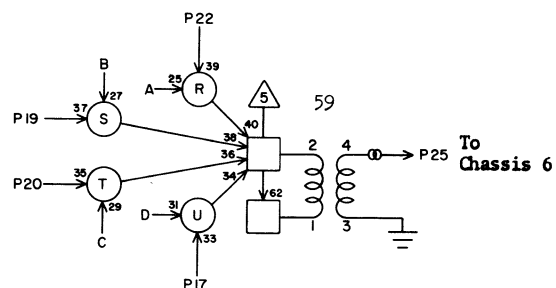
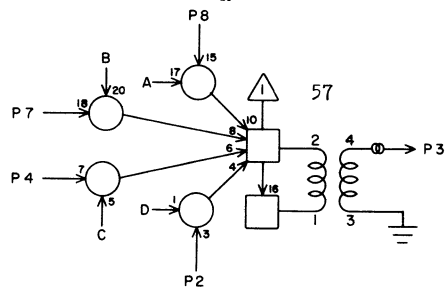
8D11

1			
2	B29	3	21
3	W18	96	
4	C39	21	29
5			
6			
7	E35	21	25
8	G37	21	29
9	E34	15	25
10	E33	15	23
11	F30	15	23
12	F29	15	21
13			
14			
15			
16	C40	22	29
17	B31	3	23
18			
19	E37	21	29
20	C41	21	29
21	W18	97	
22	G39	21	29
23			
24	G38	22	29
25	W18	98	
26	B30	8	23
27			
28	E36	22	29

JACK PIN LG

63017200 Rev. F

MULTIPLY TRUNK (X_k)



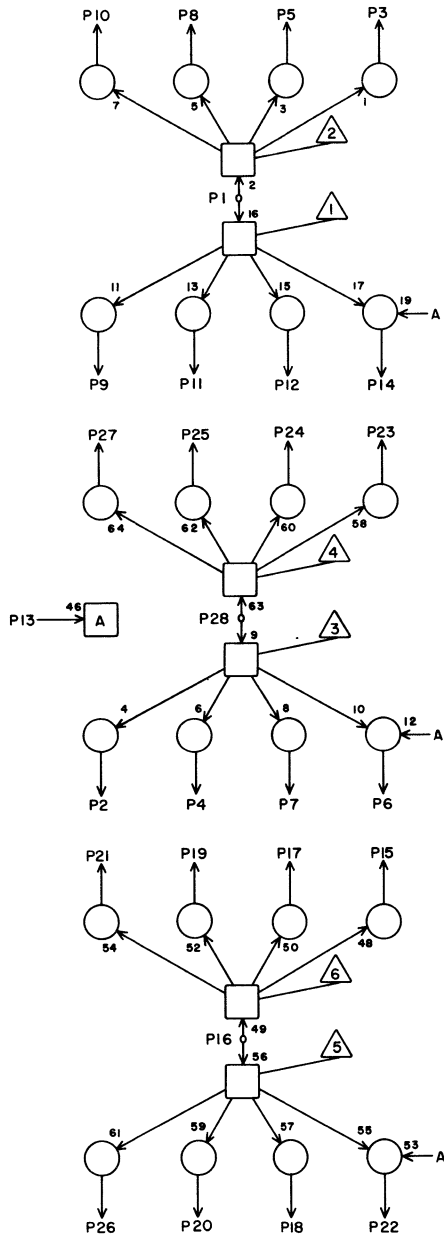
RN

8D12

1			
2	B32	8	23
3	W18	99	
4	C42	22	29
5			
6			
7	E38	22	27
8	G40	22	31
9	E34	16	23
10	E33	16	23
11	F30	16	21
12	F29	16	21
13			
14			
15			
16	D29	3	25
17	B34	8	25
18			
19	E40	22	29
20	D30	8	29
21	W18	900	
22	G42	22	31
23	W18	901	
24	G41	21	31
25	W07	902	
26	B33	3	25
27			
28	E39	21	31

JACK PIN LG

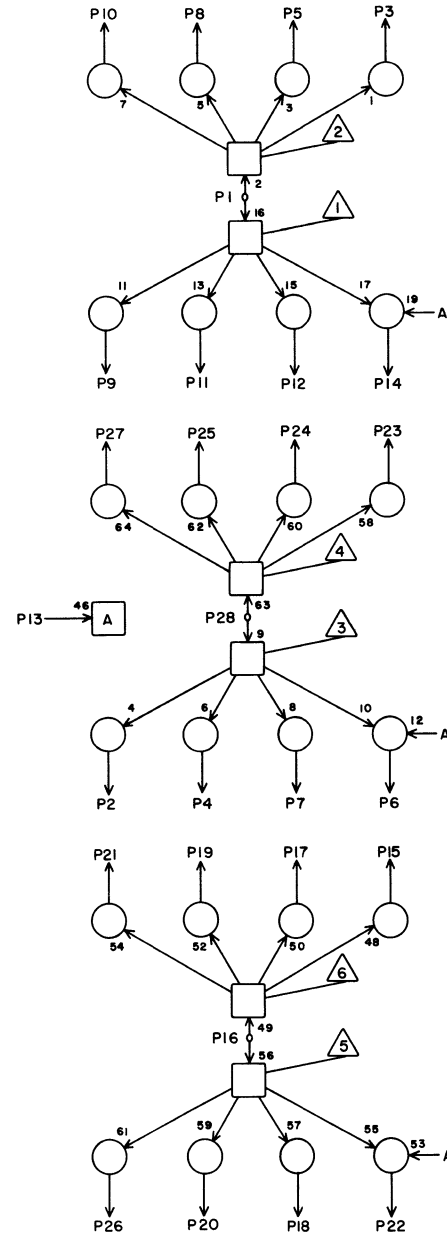
63017200 Rev. E



HF 8D13

1	A17	23	13
2	B42	16	29
3	B06	16	13
4	B41	16	29
5	B08	16	13
6	B39	16	27
7	B40	16	29
8	C02	16	15
9	C04	16	13
10			
11	C06	16	11
12	C08	16	9
13	A01	5	19
14			
15	B06	25	13
16	A18	23	17
17	C06	25	11
18	B08	25	13
19	C08	25	9
20	C02	25	13
21	C04	25	13
22			
23	A42	16	31
24	A41	16	31
25	A40	16	31
26			
27	A39	16	31
28	H25	11	60

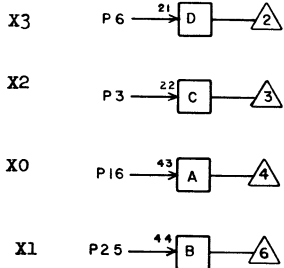
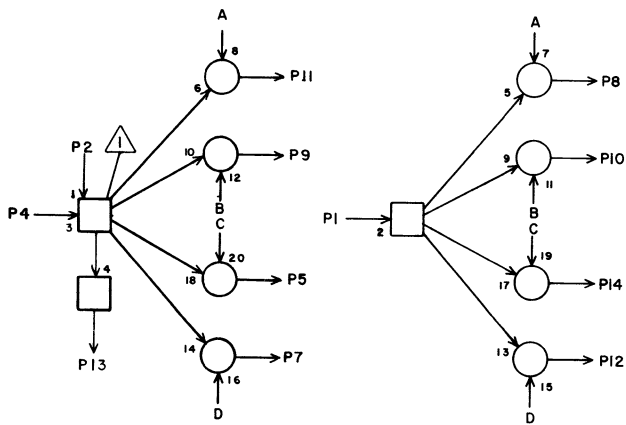
JACK PIN LG



HF 8D14

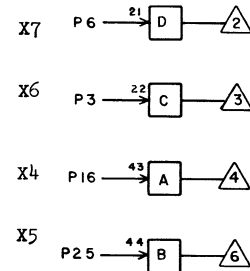
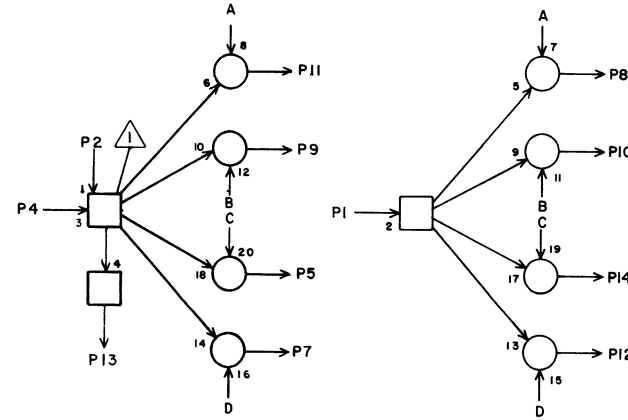
1	B17	23	11
2	R16	3	53
3	B06	3	13
4	N19	25	41
5	B08	3	13
6			
7			
8	C02	3	15
9	C04	3	13
10			
11	C06	3	13
12	C08	3	11
13			
14			
15	B06	6	15
16	B18	23	13
17	C06	6	13
18	B08	6	15
19	C08	6	11
20	C02	6	15
21	C04	6	15
22			
23			
24			
25			
26			
27			
28	L20	10	31

JACK PIN LG



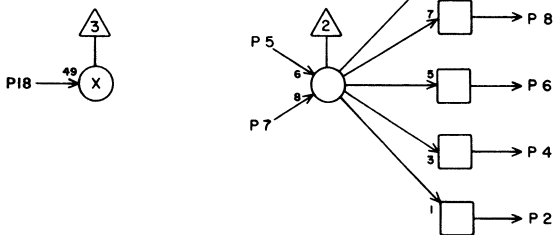
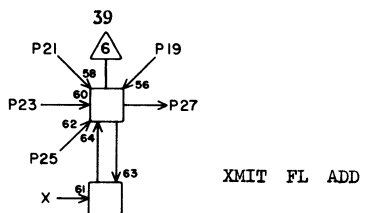
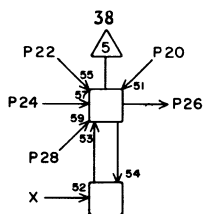
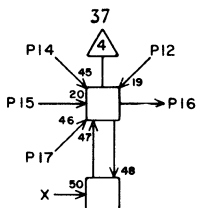
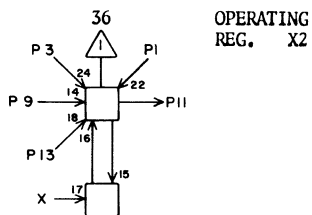
Incr (Mem) to X
12 - 15

RC		8D15	
1	D16	13	5
2	A07	13	17
3	F06	23	15
4	E07	2	13
5	D20	9	7
6	F08	24	15
7	D26	9	13
8	C20	24	9
9	C26	9	15
10	C26	24	13
11	C20	9	9
12	D26	24	13
13	D16	1	5
14	D20	24	9
15	D16	27	5
16	F06	9	15
17	D26	15	13
18	C20	23	9
19	D20	15	7
20	C26	23	15
21	C26	15	15
22	D20	23	9
23	C20	15	11
24	D26	23	15
25	F06	21	15
26	A07	23	17
27	D16	15	5
28	E07	11	11
	JACK	PIN	LG



Incr (Mem) to X

RC		8D16	
1	D15	13	5
2	A07	8	17
3	E08	9	13
4	E07	4	13
5	F20	24	13
6	E08	21	13
7	F26	24	15
8	E20	5	9
9	E26	24	13
10	E26	5	13
11	E20	24	9
12	F26	5	15
13	D15	1	5
14	F20	5	13
15	D15	27	5
16	F08	9	13
17	F26	23	15
18	E20	6	9
19	F20	23	13
20	E26	6	13
21	E26	23	13
22	F20	6	13
23	E20	23	9
24	F26	6	15
25	E08	21	13
26	A07	18	17
27	D15	15	5
28	E07	9	11
	JACK	PIN	LG

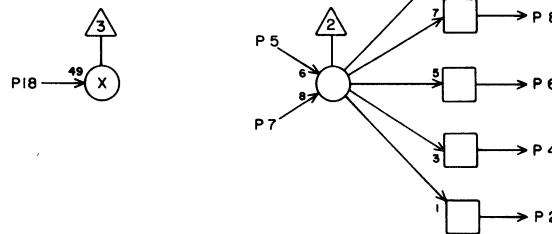
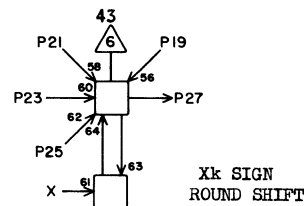
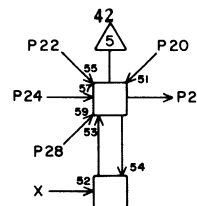
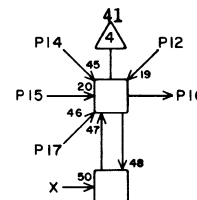
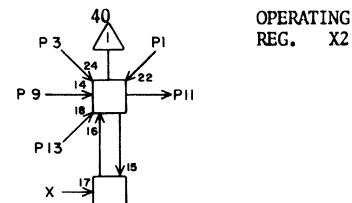


KG **8D17**

1	B05	7	17
2	D22	5	9
3	D01	7	17
4	C17	5	7
5	G02	28	23
6	J03	24	41
7			
8	O32	1	49
9	A15	5	15
10	L42	14	47
11	B35	10	21
12	B05	19	17
13	A21	6	17
14	D01	19	17
15	A15	19	15
16	B36	14	23
17	A21	5	17
18	G22	2	15
19	B05	22	17
20	B05	14	17
21	D01	22	17
22	D01	14	17
23	A15	22	15
24	A15	14	17
25	A21	7	17
26	B37	10	23
27	B38	14	25
28	A21	2	17

JACK PIN LG

63017200 Rev. AB



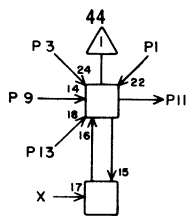
KG **8D18**

1	B07	7	15
2	N26	22	45
3	D03	7	17
4	E22	14	11
5	L02	25	41
6	E22	16	11
7			
8			
9	B15	5	13
10			
11	B39	10	23
12	B07	19	15
13	A21	9	15
14	D03	19	17
15	B15	19	11
16	B40	14	25
17	A21	12	15
18	G22	4	15
19	B07	22	17
20	B07	14	17
21	D03	22	17
22	D03	14	17
23	B15	22	13
24	B15	14	13
25	A22	5	17
26	B41	10	25
27	B42	14	25
28	A22	6	17

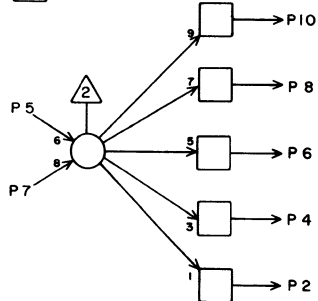
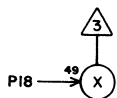
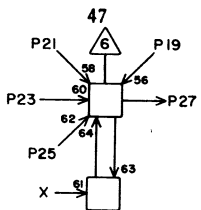
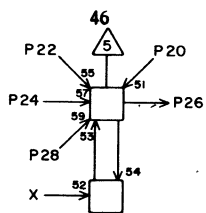
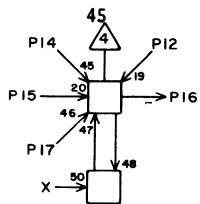
JACK PIN LG

63017200 Rev. 載

8D18



OPERATING
REG. X2

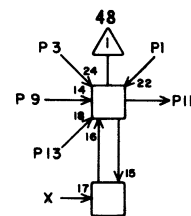


KG 8 D 19

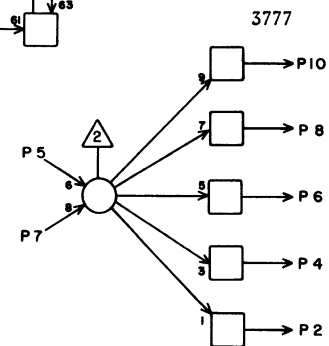
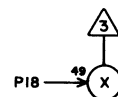
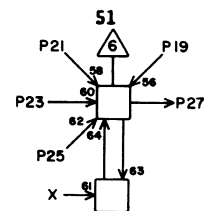
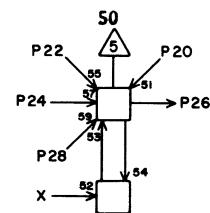
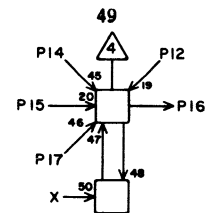
1	C01	7	19
2	N26	9	47
3	D05	7	15
4	E21	14	9
5	L08	25	37
6	E21	16	9
7			
8	K39	2	37
9	C15	5	9
10	F26	16	13
11	C29	10	13
12	C01	19	19
13	A22	2	17
14	D05	19	15
15	C15	19	7
16	C30	14	15
17	A22	7	17
18	G22	6	15
19	C01	22	21
20	C01	14	19
21	D05	22	17
22	D05	14	17
23	C15	22	7
24	C15	14	9
25	A22	12	17
26	C31	10	15
27	C32	14	15
28	A22	9	17

JACK PIN LG

63017200 Rev. 02



OPERATING
REG. X2

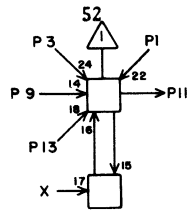


KG 8 D 20

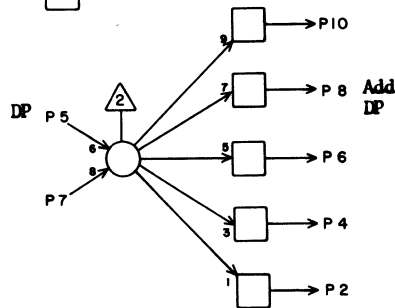
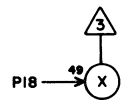
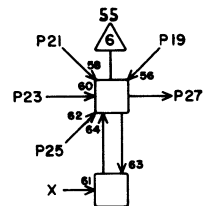
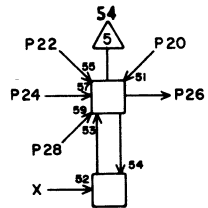
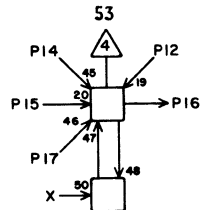
1	C03	7	19
2	G17	5	17
3	D07	7	15
4	G18	3	17
5	K19	13	33
6	O28	19	45
7	K20	6	35
8			
9	D15	5	7
10			
11	C33	10	15
12	C03	19	19
13	A23	6	17
14	D07	19	15
15	D15	19	7
16	C34	14	17
17	A23	5	17
18	G22	9	15
19	C03	22	19
20	C03	14	19
21	D07	22	15
22	D07	14	15
23	D15	22	9
24	D15	14	9
25	A23	7	17
26	C35	10	17
27	C36	14	17
28	A23	2	17

JACK PIN LG

63017200 Rev. T



OPERATING
REG. X2

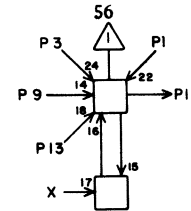


KG 8D 21

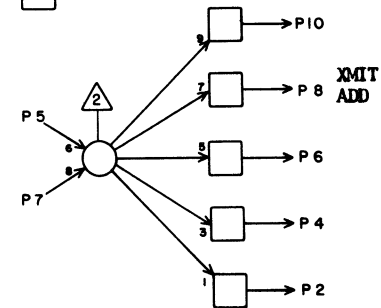
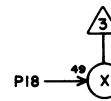
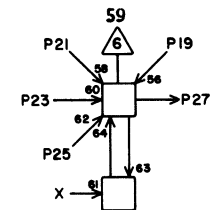
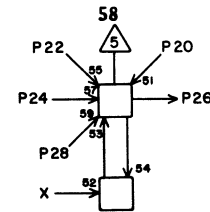
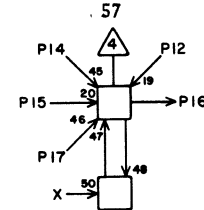
1	C05	7	17
2	M17	12	43
3	E02	7	21
4	L38	25	43
5	E19	15	11
6	L37	19	37
7	C25	4	21
8	L27	10	37
9	E15	5	11
10	M27	10	43
11	C37	19	17
12	C05	19	17
13	A23	9	15
14	E02	19	21
15	E15	19	11
16	C38	9	19
17	A23	12	15
18	G22	11	15
19	C05	22	19
20	C05	14	19
21	E02	22	21
22	E02	14	21
23	E15	22	11
24	E15	14	9
25	A24	5	17
26	C39	19	21
27	C40	9	21
28	A24	6	17

JACK PIN LG

63017200 Rev. J



OPERATING
REG. X2



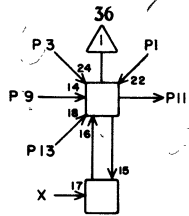
KG 8D 22

1	C07	7	17
2	E21	18	9
3	E04	7	19
4	E19	18	11
5	D17	2	9
6	E20	18	11
7	H10	18	23
8	C28	5	15
9	F15	5	13
10	E22	18	9
11	C41	19	21
12	C07	19	17
13	A24	2	17
14	E04	19	19
15	F15	19	15
16	C42	9	23
17	A24	7	17
18	G22	13	15
19	C07	22	17
20	C07	14	17
21	E04	22	21
22	E04	14	19
23	F15	22	13
24	F15	14	13
25	A24	12	17
26	D29	10	11
27	D30	14	11
28	A24	9	17

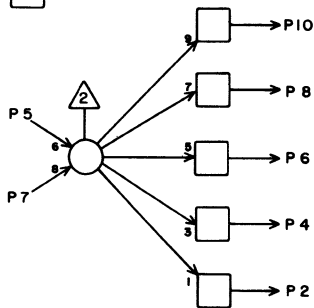
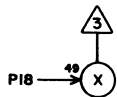
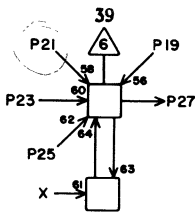
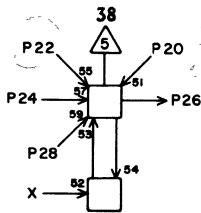
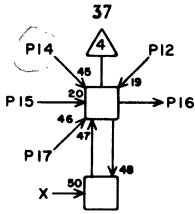
JACK PIN LG

63017200 Rev. E

8D22



OPERATING
REG. X3



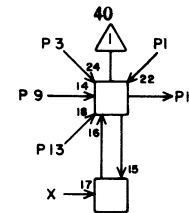
KG

8D 23

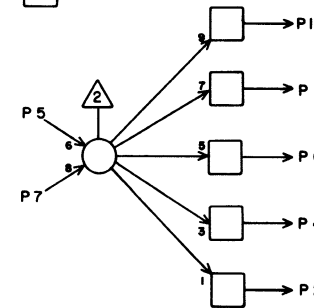
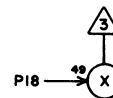
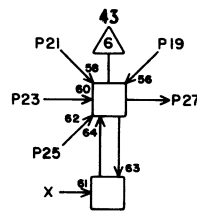
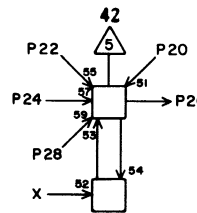
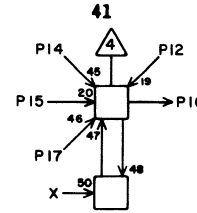
1	B05	9	21
2	B23	10	13
3	D01	9	23
4	B24	10	13
5	B20	24	13
6	B25	10	13
7	H 7	13	25
8	B26	10	13
9	A15	7	17
10			
11	B35	14	17
12	B05	17	21
13	A25	6	15
14	D01	17	23
15	A15	17	17
16	B36	10	17
17	A25	5	17
18	G22	16	15
19	B05	24	21
20	B05	12	21
21	D01	24	23
22	D01	12	23
23	A15	24	17
24	A15	12	17
25	A25	7	17
26	B37	14	19
27	B38	10	19
28	A25	2	17

JACK PIN LG

63017200 Rev. E



OPERATING
REG. X3



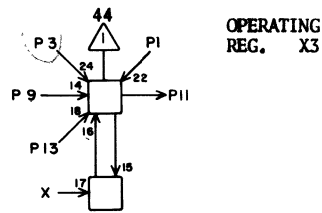
KG

8D 24

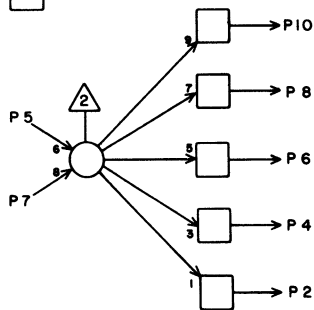
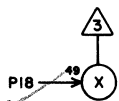
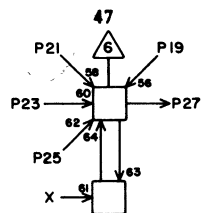
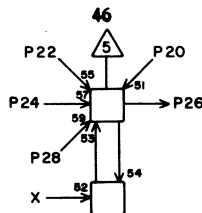
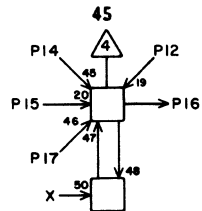
1	B07	9	19
2			
3	D03	9	23
4	B22	10	13
5	B19	24	13
6	B21	10	13
7	H 7	11	25
8	B20	10	13
9	B15	7	15
10	B19	10	15
11	B39	14	19
12	B07	17	19
13	A25	9	15
14	D03	17	21
15	B15	17	15
16	B40	10	19
17	A25	12	15
18	G22	18	15
19	B07	24	21
20	B07	12	21
21	D03	24	23
22	D03	12	23
23	B15	24	15
24	B15	12	15
25	A26	5	17
26	B41	14	21
27	B42	10	21
28	A26	6	17

JACK PIN LG

63017200 Rev. E.



OPERATING
REG. X3



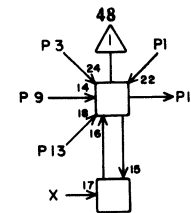
Clear
D3

KG 8D 25

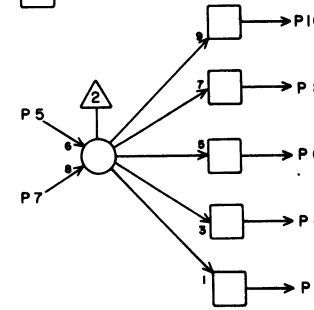
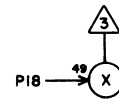
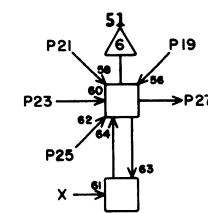
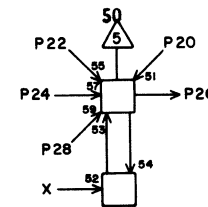
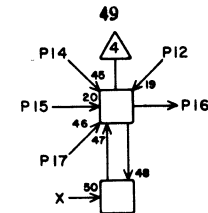
1	C01	9	25
2			
3	D05	9	21
4	B18	10	15
5	A21	24	15
6	B17	10	15
7	H 7	9	27
8	A26	10	17
9	C15	7	13
10	A25	10	17
11	G29	14	9
12	C01	17	25
13	A26	2	17
14	D05	17	21
15	C15	17	13
16	C30	10	9
17	A26	7	17
18	G22	20	15
19	C01	24	25
20	C01	12	25
21	D05	24	21
22	D05	12	21
23	C15	24	13
24	C15	12	15
25	A26	12	17
26	C31	14	11
27	C32	10	11
28	A26	9	17

JACK PIN LG

63017200 Rev. E



OPERATING
REG. X3



Clear
D2

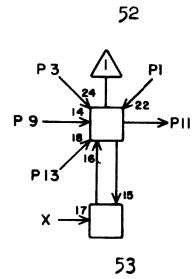
KG 8D 26

1	C03	9	25
2			
3	D07	9	19
4	A24	10	17
5	A20	24	17
6	A23	10	17
7	H 7	7	27
8	A22	10	17
9	D15	7	13
10	A21	10	15
11	C33	14	11
12	G03	17	23
13	B17	6	15
14	D07	17	19
15	D15	17	13
16	C34	10	13
17	B17	5	15
18	G22	22	15
19	C03	24	25
20	C03	12	25
21	D07	24	21
22	D07	12	21
23	D15	24	15
24	D15	12	13
25	B17	7	15
26	C35	14	13
27	C36	10	13
28	B17	2	17

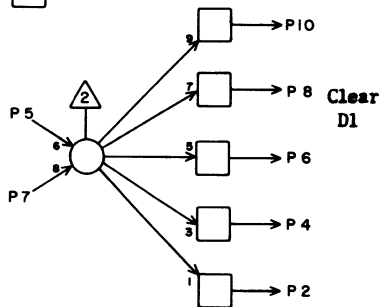
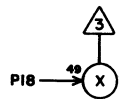
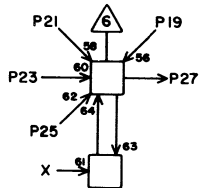
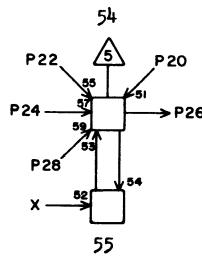
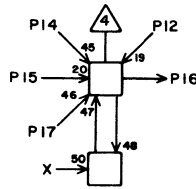
JACK PIN LG

63017200 Rev. E

8D26



OPERATING
REG. X3

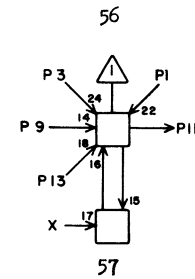


KG 8 D27

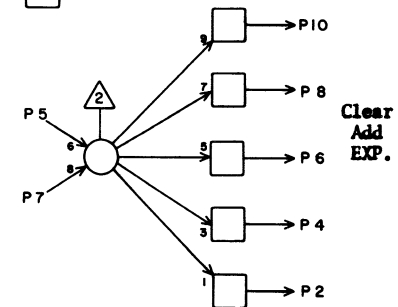
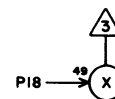
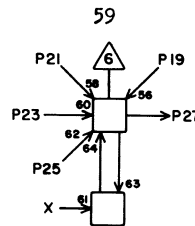
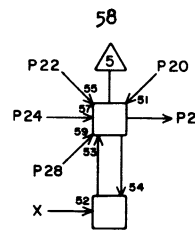
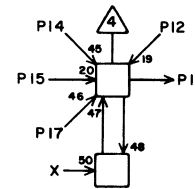
1	C05	9	23
2			
3	E02	9	25
4	A20	10	15
5	A19	24	17
6	A19	10	17
7	H 7	5	27
8	A18	10	17
9	E15	7	15
10	A17	10	19
11	C37	9	13
12	C05	17	23
13	B17	9	15
14	E02	17	25
15	E15	17	15
16	C38	19	15
17	B17	12	15
18	G22	17	15
19	C05	24	23
20	C05	12	23
21	E02	24	25
22	E02	12	25
23	E15	24	15
24	E15	12	15
25	B18	5	15
26	C39	9	15
27	C40	19	15
28	B18	6	17

JACK PIN LG

63017200 Rev. E



OPERATING
REG. X3

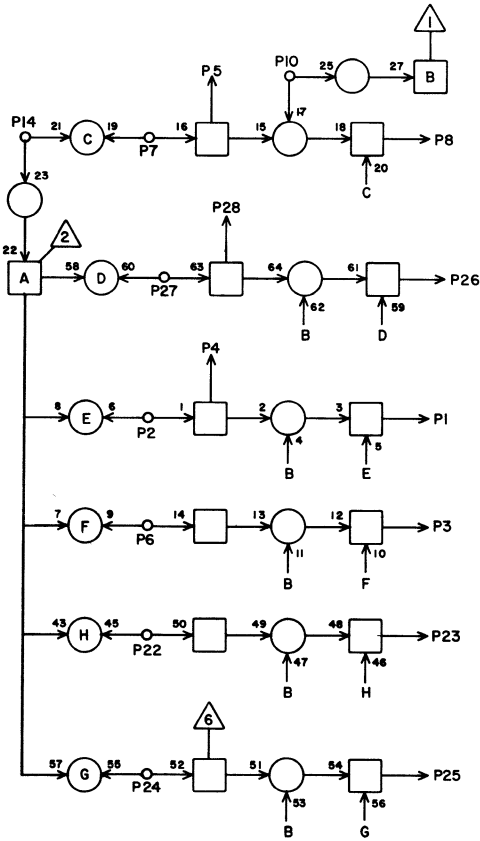


KG 8 D28

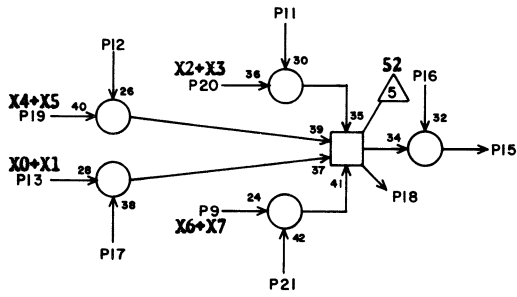
1	C07	9	23
2			
3	E04	9	25
4	K34	23	31
5	J03	25	37
6	K33	23	31
7	H10	28	96
8	K32	23	31
9	F15	7	19
10	K31	23	31
11	C41	9	15
12	C07	17	23
13	B18	2	17
14	E04	17	25
15	F15	17	19
16	C42	19	17
17	B18	7	15
18	G22	19	17
19	C07	24	23
20	C07	12	23
21	E04	24	25
22	E04	12	25
23	F15	24	19
24	F15	12	19
25	B18	12	17
26	D29	14	5
27	D30	10	5
28	B18	9	17

JACK PIN LG

63017200 Rev. E

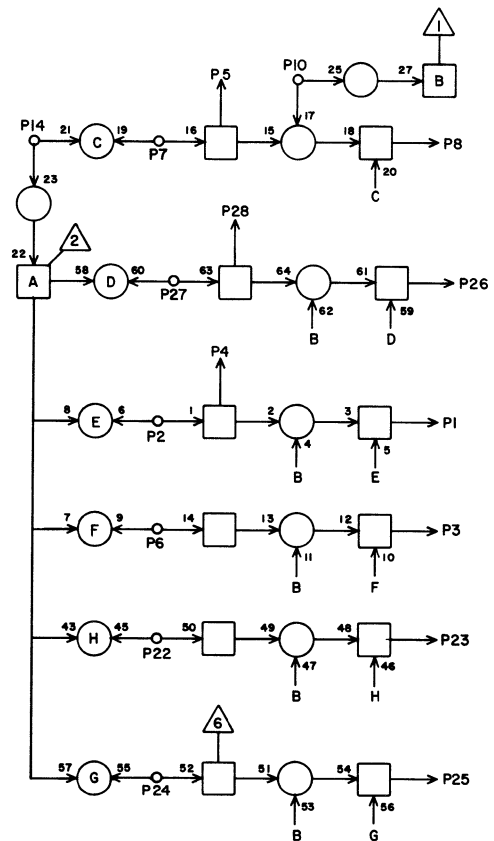


ADD TRUNK (X_k)

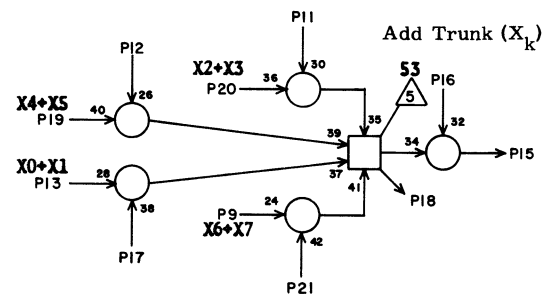


RL		8D29	
1	B12	16	23
2	B40	28	15
3	D12	16	25
4	D30	22	5
5	D30	6	3
6	D30	5	5
7	C38	28	13
8	C35	20	9
9	G35	7	17
10	D22	26	11
11	G38	13	17
12	G40	13	19
13	B27	26	11
14	D28	26	5
15	L05	8	39
16	E08	27	23
17	G36	13	17
18	K19	10	33
19	E33	7	7
20	C37	7	13
21	G42	13	19
22	D30	4	5
23			
24	D30	28	5
25	F12	16	21
26	D35	20	9
27	C42	28	15
28	D30	24	5
	JACK	PIN	LG

63017200 Rev. E



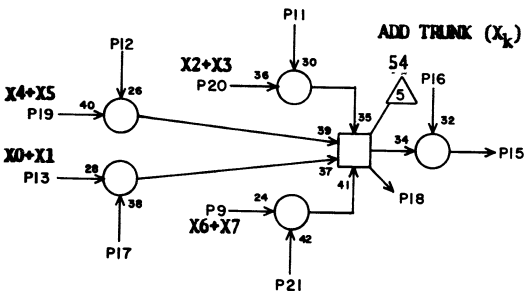
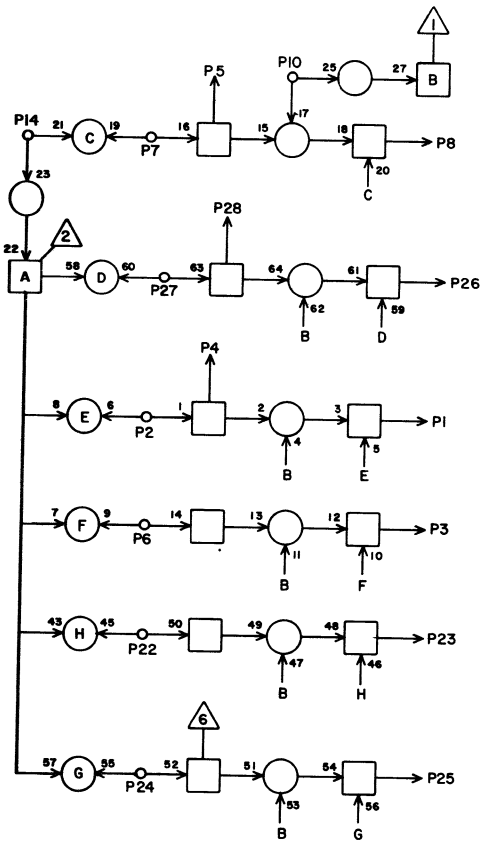
Add Trunk (X_k)



RL		8D30	
1			
2			
3	C36	20	9
4	D29	22	5
5	D29	6	5
6	D29	5	3
7	D40	28	13
8	D12	20	29
9	G36	8	15
10	D28	27	5
11	G38	14	17
12	G40	14	19
13	B28	25	11
14	D22	27	11
15	L05	26	41
16	E08	25	23
17	G36	14	15
18	K19	22	33
19	E34	8	7
20	C38	8	13
21	G42	14	19
22	D29	4	5
23	B12	20	23
24	D29	28	5
25	D36	20	9
26	F12	20	21
27	E36	28	9
28	D29	24	5
	JACK	PIN	LG

63017200 Rev. E

8D30

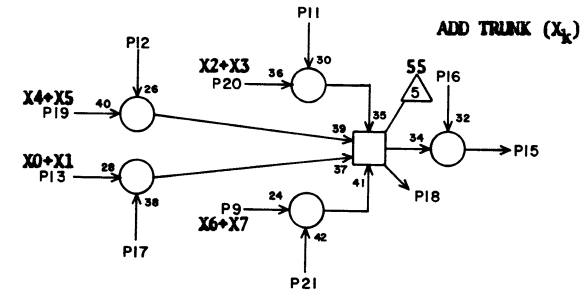
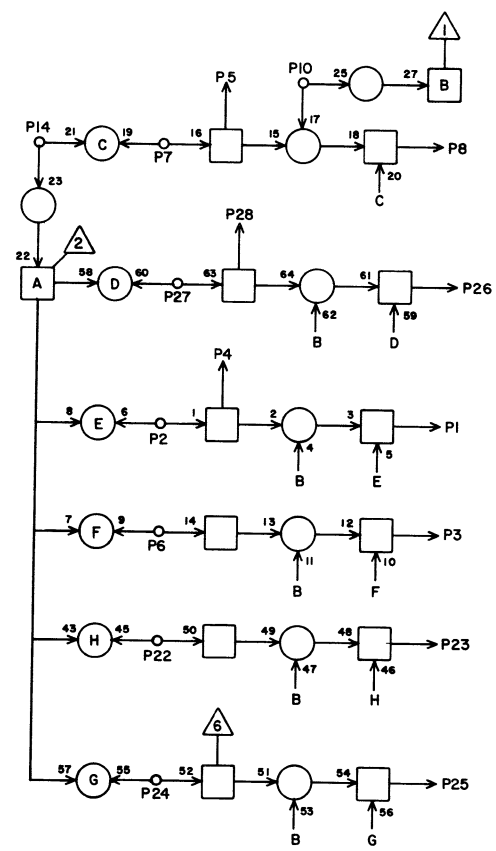


RL 8D31

1	A09	7	25
2	E41	1	13
3	C09	7	23
4	D32	22	5
5	D32	6	3
6	D32	5	5
7	C39	1	13
8	A27	19	15
9	G37	7	17
10	E17	12	17
11	G38	15	17
12	G40	15	17
13	B29	26	11
14	E23	12	13
15	L06	8	39
16	E08	24	25
17	G36	15	15
18	K20	28	33
19	E35	7	7
20	C39	7	13
21	G42	15	19
22	D32	4	5
23			
24	D32	28	5
25	E09	7	23
26	B27	19	13
27	D37	1	9
28	D32	24	5

JACK PIN LG

63017200 Rev. E

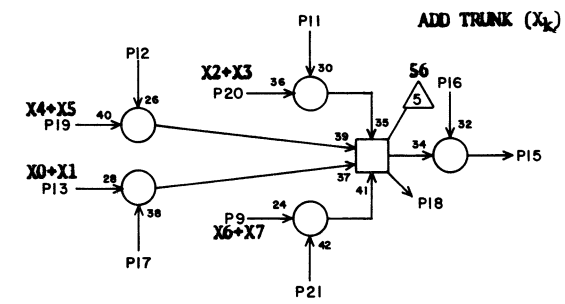
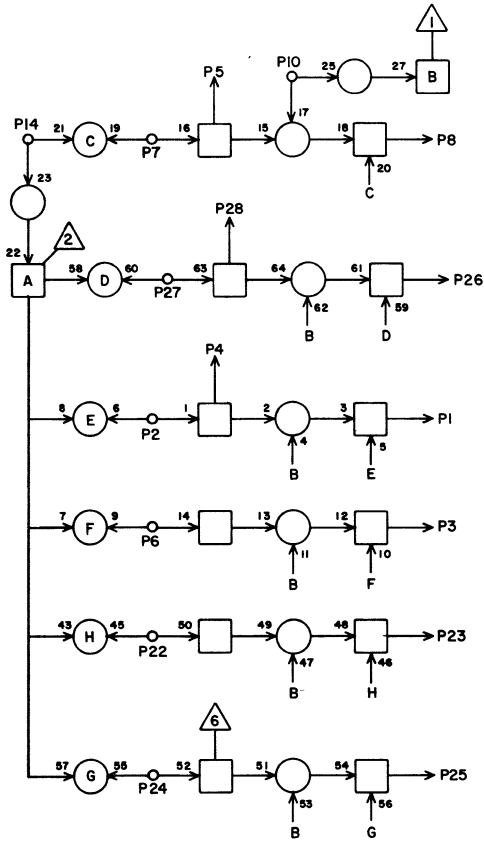


RL 8D32

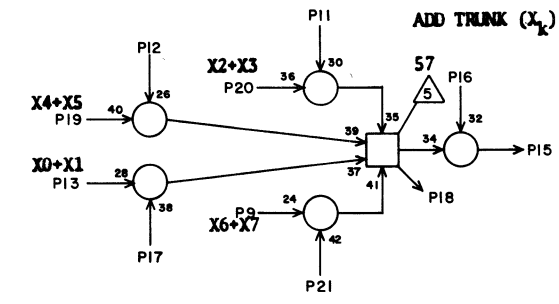
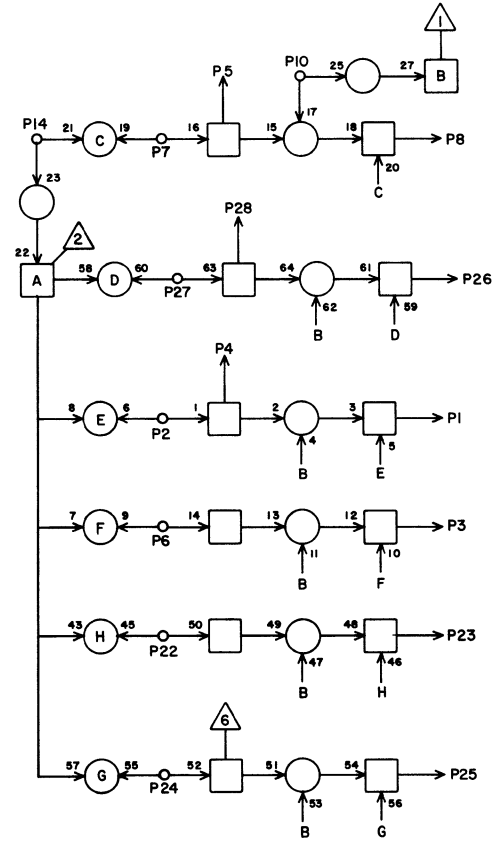
1			
2			
3	A28	19	15
4	D31	22	5
5	D31	6	5
6	D31	5	3
7	D41	1	13
8	C09	28	25
9	G38	8	15
10	E23	10	13
11	G38	16	17
12	G40	16	17
13	B30	25	11
14	E17	10	17
15	L06	26	41
16	E08	23	25
17	G36	16	15
18	K20	25	33
19	E36	8	7
20	G40	8	13
21	G42	16	17
22	D31	4	5
23	A09	28	25
24	D31	28	5
25	B28	19	13
26	E09	28	25
27	E37	1	9
28	D31	24	5

JACK PIN LG

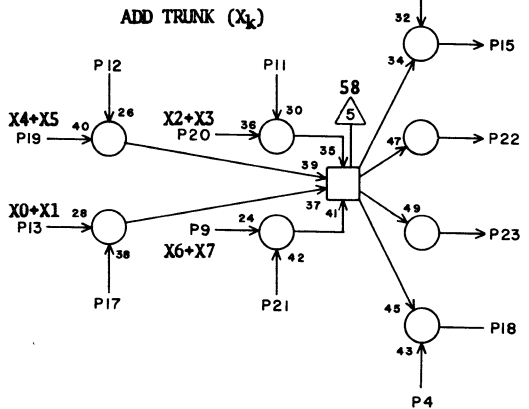
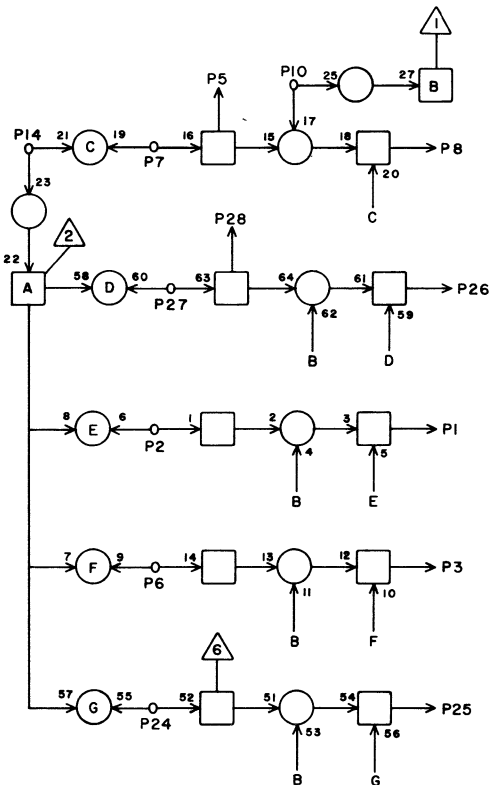
63017200 Rev. E



RL			
8D33			
1	A09	19	27
2	E41	2	13
3	C09	19	29
4	D34	22	5
5	D34	6	3
6	D34	5	5
7	C39	2	11
8	A29	19	15
9	G39	7	17
10	E17	20	19
11	G38	24	17
12	G40	24	17
13	B31	26	11
14	E23	20	13
15	L07	8	39
16	E08	6	27
17	G36	24	15
18	K20	1	33
19	E37	7	7
20	C41	7	13
21	G42	24	17
22	D34	4	5
23			
24	D34	28	5
25	E09	19	25
26	B29	19	13
27	D37	2	7
28	D34	24	5
	JACK	PIN	LG



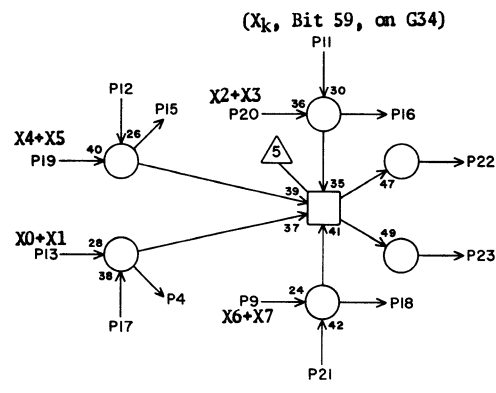
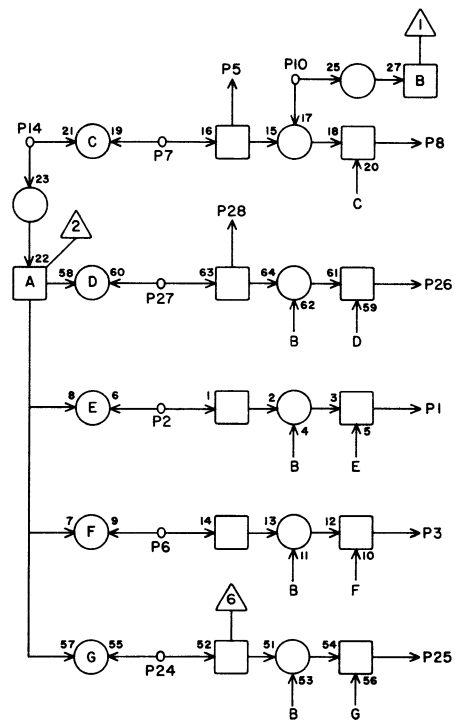
RL			
8D34			
1			
2			
3	A30	19	15
4	D33	22	5
5	D33	6	5
6	D33	5	3
7	D41	2	9
8	C10	7	25
9	G40	8	15
10	E23	19	15
11	G38	26	17
12	G40	26	17
13	B32	25	11
14	E17	19	19
15	L07	26	41
16	E08	7	27
17	G36	26	15
18	K20	4	31
19	E38	8	7
20	C42	8	13
21	G42	26	17
22	D33	4	5
23	A10	7	27
24	D33	28	5
25	B30	19	13
26	E10	7	25
27	E37	2	7
28	D33	24	5
	JACK	PIN	LG



RO 8D35

1	A10	28	29
2	E41	3	11
3	C10	28	25
4			
5	D36	6	3
6	D36	5	5
7	C39	3	9
8	A31	19	15
9	G41	7	17
10	E18	12	19
11	G38	27	17
12	G40	27	17
13	B33	26	11
14	E24	12	15
15	L08	8	39
16	E08	4	27
17	G36	27	15
18	K20	10	33
19	E39	7	7
20	D29	26	9
21	G42	27	17
22	K20	22	35
23			
24	D36	28	5
25	E10	28	27
26	B31	19	13
27	D37	3	7
28	D36	24	5

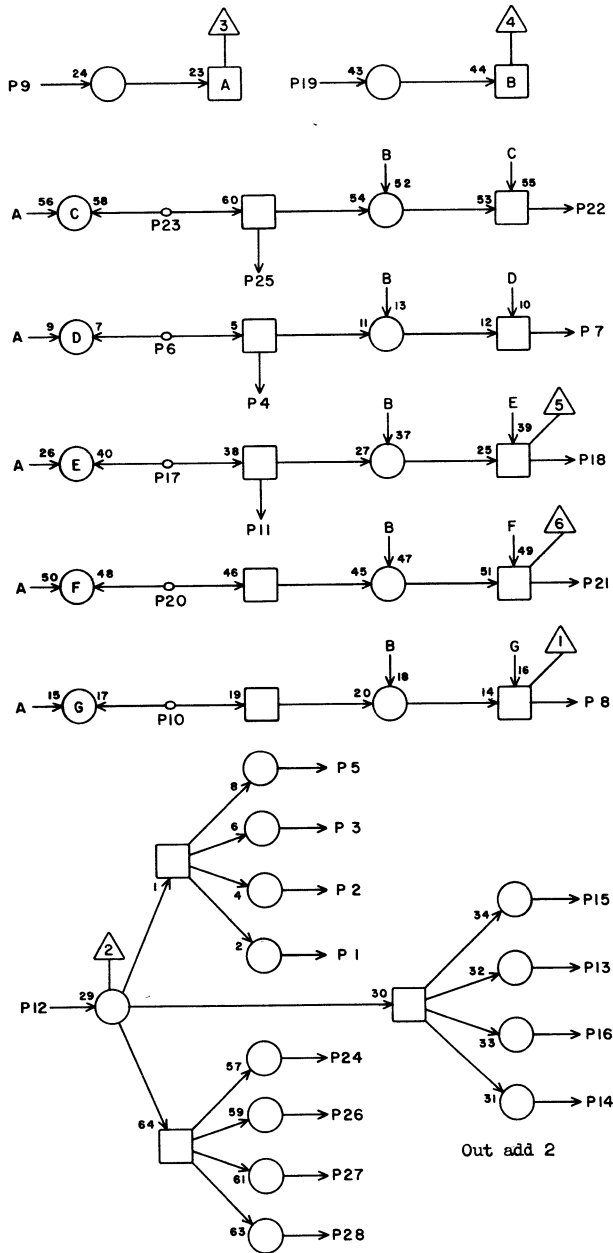
JACK PIN LG



RQ 8D36

1	A10	19	29
2	E14	25	180
3	A32	19	15
4	G34	19	17
5	D35	6	5
6	D35	5	3
7	D41	3	7
8	C10	19	29
9	G42	8	15
10	E24	10	15
11	G38	28	17
12	G40	28	17
13	B34	25	11
14	E18	10	19
15	G34	25	17
16	G34	21	17
17	G36	28	15
18	G34	23	17
19	E40	8	7
20	D30	25	9
21	G42	28	17
22	K20	7	33
23	K19	7	33
24	D35	28	5
25	B32	19	13
26	E10	19	27
27	E37	3	5
28	D35	24	5

JACK PIN LG

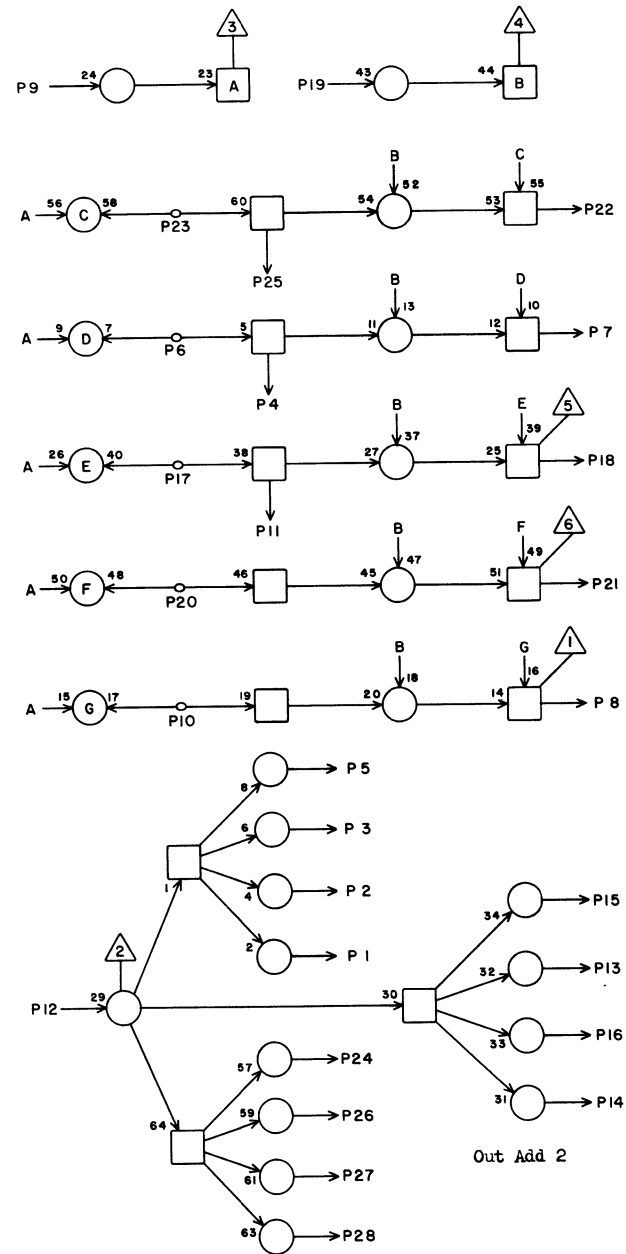


RJ 8D37

1	D31	27	9
2	D33	27	7
3	D35	27	7
4	D38	10	5
5	D37	6	3
6	D37	5	3
7	E33	19	11
8	E11	7	27
9	E24	20	17
10	D38	4	5
11	D38	17	5
12	A14	7	27
13	D39	6	5
14	D41	6	7
15	E29	6	13
16	E31	6	9
17	E41	5	9
18	A11	7	29
19	E18	20	21
20	D38	25	5
21	C11	7	27
22	A33	19	15
23	C39	5	9
24	E33	6	7
25	D38	20	5
26	E35	6	7
27	E37	6	5
28	E39	6	7

JACK PIN LG

63017200 Rev. E



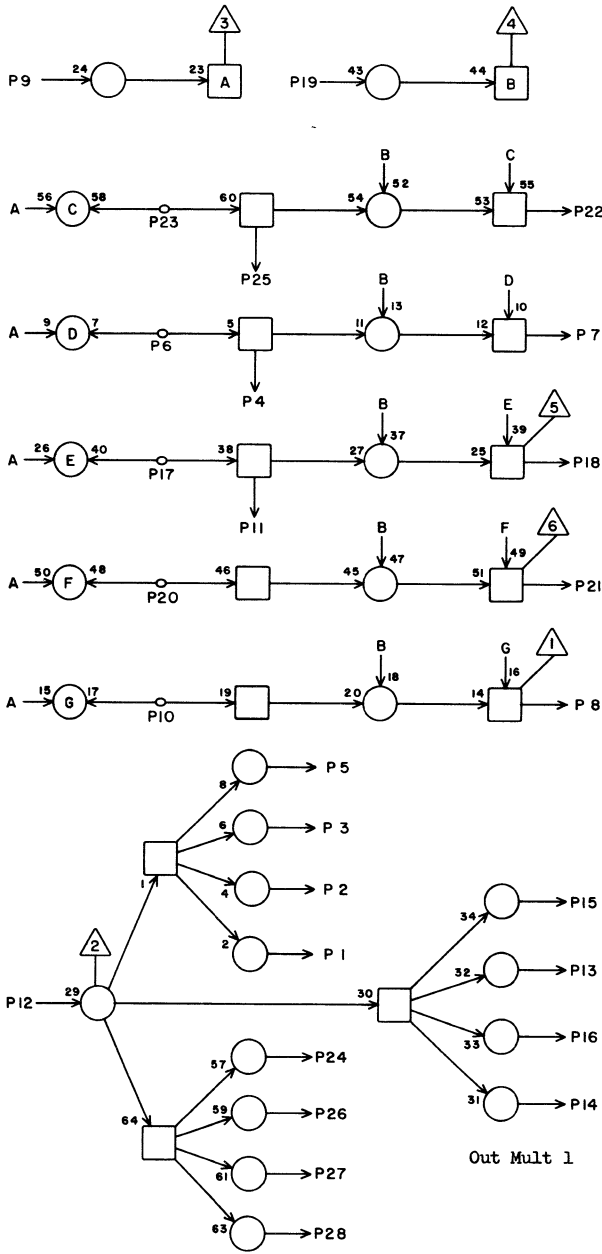
8D38

RJ 8D38

1	E41	6	9
2	F29	6	15
3	F31	6	15
4	D37	10	5
5	F33	6	13
6	E37	5	7
7	E11	28	27
8	B34	19	11
9	E18	19	23
10	D37	4	5
11			
12	A14	23	27
13	F35	6	11
14	F37	6	11
15	F39	6	11
16	F41	6	11
17	D37	11	5
18	A11	28	31
19	E24	19	17
20	D37	25	5
21	A34	19	15
22	C11	28	27
23	D41	5	7
24	G35	6	15
25	D37	20	5
26	G37	6	13
27	G39	6	13
28	G41	6	13

JACK PIN LG

63017200 Rev. E

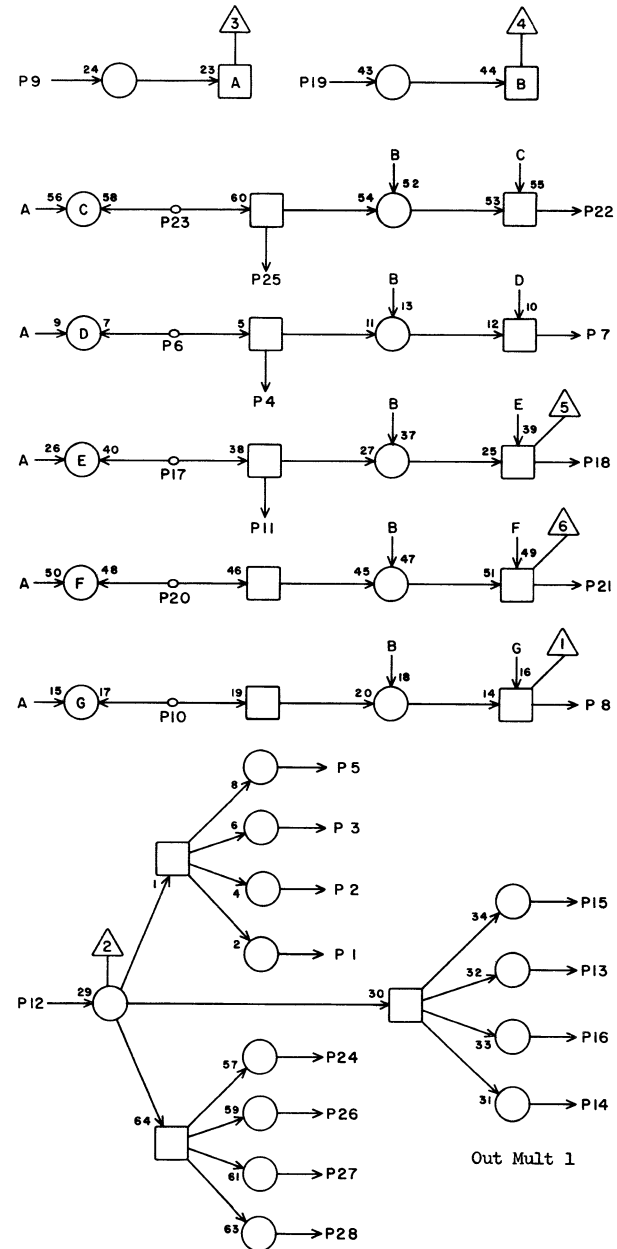


RJ 8D39

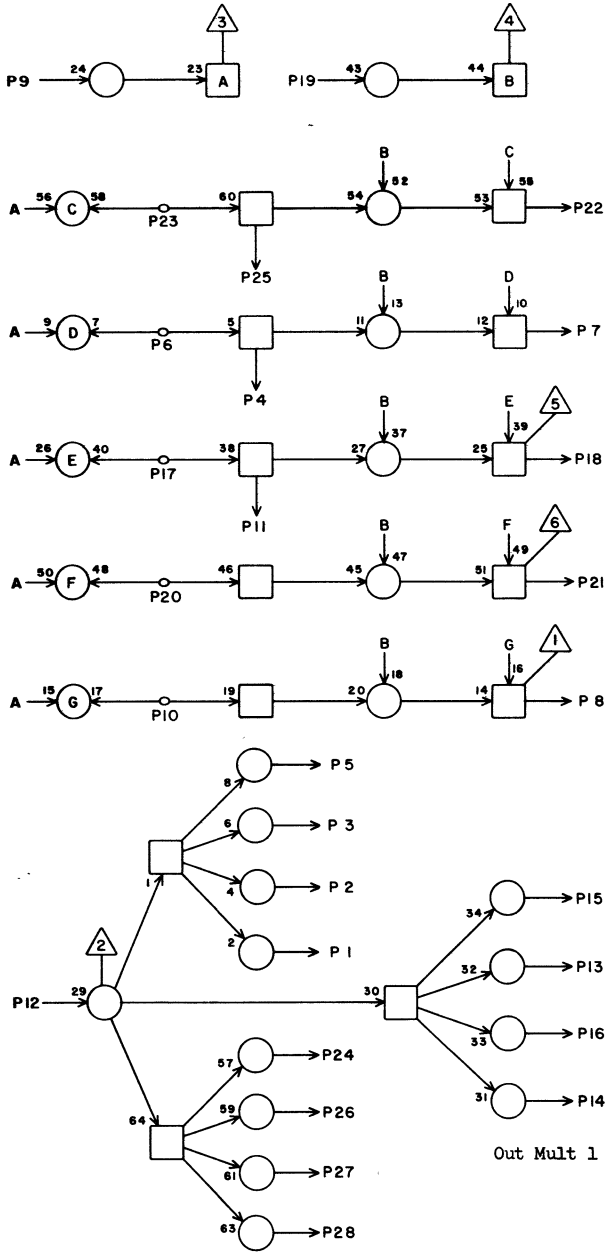
JACK	PIN	LG
1	A28	7 17
2	A30	7 17
3	A32	7 17
4	D40	10 5
5	A34	7 15
6	D37	13 5
7	B35	19 11
8	E11	19 29
9	E25	12 17
10	D40	4 5
11	D40	17 5
12	B13	2 27
13	A36	7 15
14	A38	7 15
15	A40	7 15
16	A42	7 17
17	E41	13 7
18	A11	19 29
19	E19	12 23
20	D40	25 5
21	C11	19 29
22	A35	19 15
23	C39	13 9
24	B28	7 17
25	D40	20 5
26	B30	7 15
27	B32	7 15
28	B34	7 15

JACK PIN LG

63017200 Rev. E



63017200 Rev. E

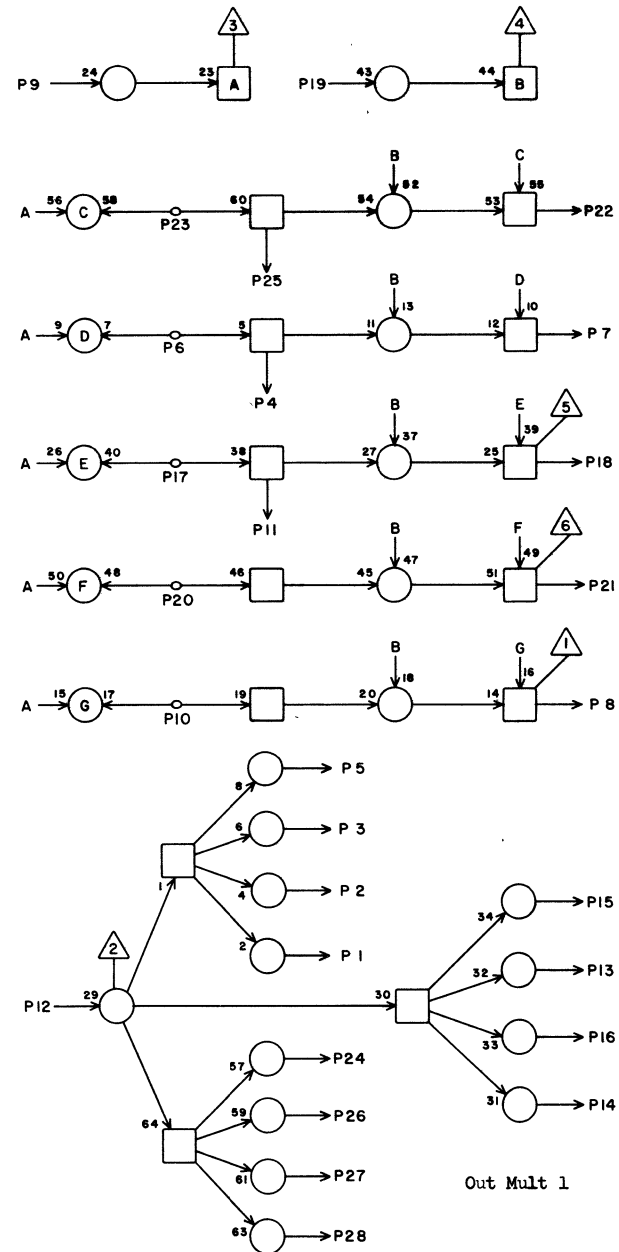


RJ 8D41

1	D32	7	13
2	D34	7	9
3	D36	7	7
4	D42	10	5
5	D38	23	7
6	D37	14	7
7	E37	19	11
8	E12	28	29
9	E25	20	19
10	D42	4	5
11	D42	17	5
12	E13	7	29
13	D40	23	5
14	D42	23	5
15	E30	23	15
16	E32	23	13
17	E41	14	7
18	A12	28	31
19	E19	20	25
20	D42	25	5
21	C12	28	29
22	A37	19	15
23	C39	14	9
24	E34	23	11
25	D42	20	5
26	E36	23	9
27	E38	23	7
28	E40	23	7

JACK PIN LG

63017200 Rev. E

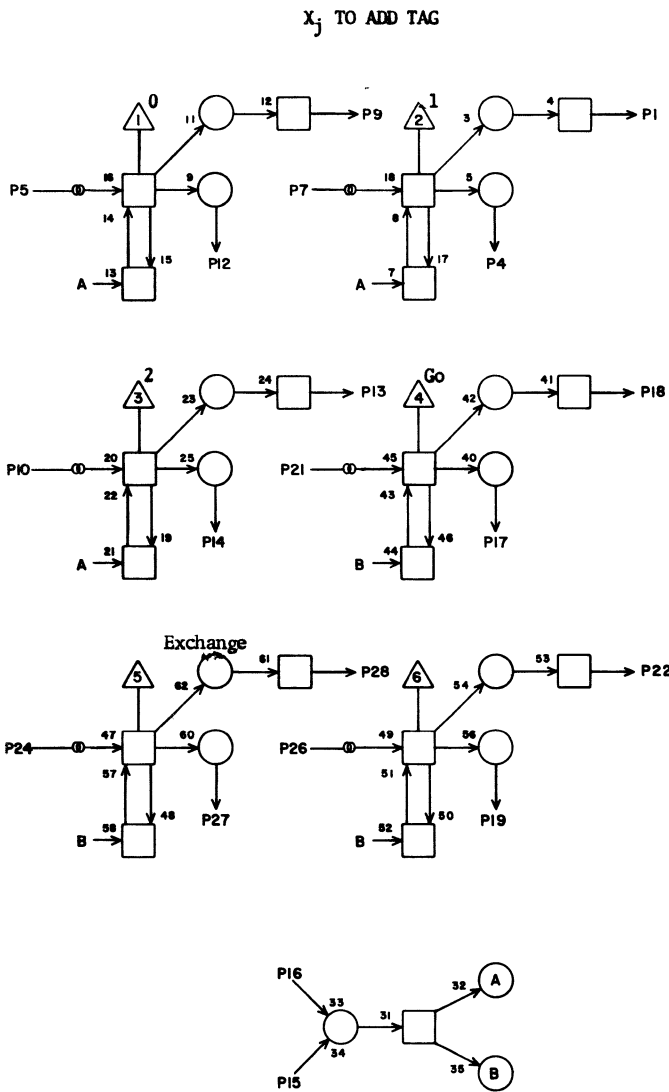


RJ 8D42

1	E42	23	9
2	F30	23	17
3	F32	23	17
4	D41	10	5
5	F34	23	15
6	E37	14	11
7	E12	19	31
8	E38	19	11
9	E19	19	25
10	D41	4	5
11			
12	E13	23	29
13	F36	23	13
14	F38	23	13
15	F40	23	13
16	F42	23	13
17	D41	11	5
18	A12	19	31
19	E25	19	19
20	D41	25	5
21	A38	19	15
22	C12	19	29
23	D41	14	5
24	G36	23	17
25	D41	20	5
26	G38	23	15
27	G40	23	15
28	G42	23	15

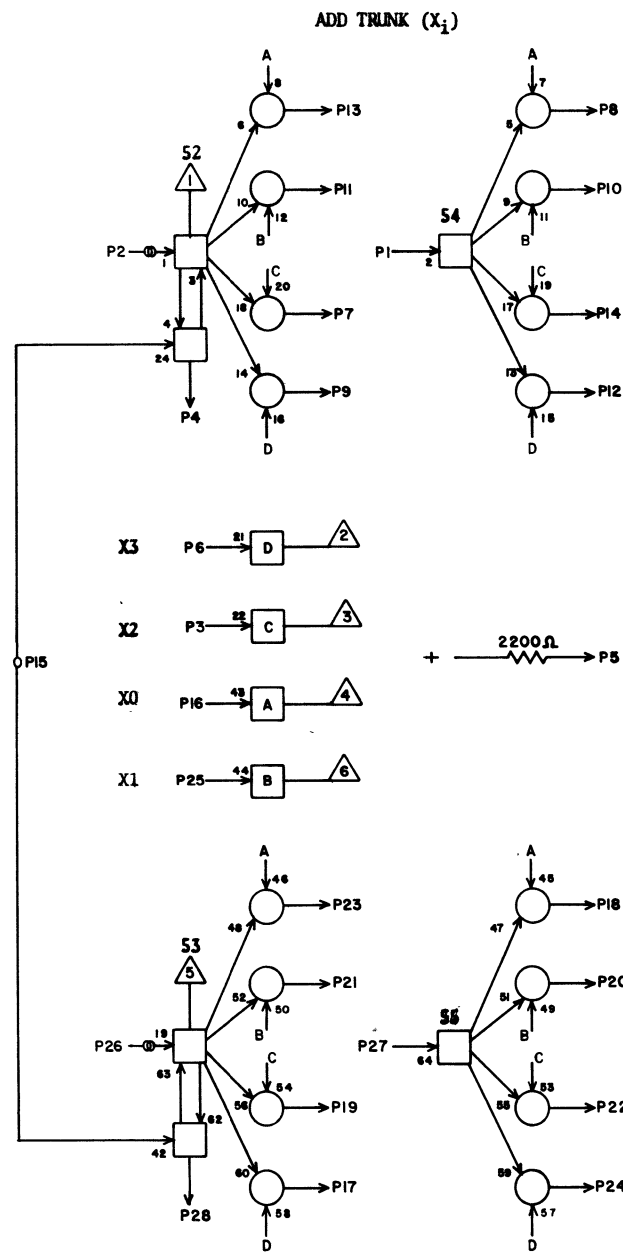
JACK PIN LG

63017200 Rev. E



PI		8E01	
1	F03	8	9
2			
3			
4			
5	W21	905	
6			
7	W21	906	
8			
9			
10	W21	907	
11			
12	A13	28	21
13	F03	26	9
14			
15	H25	4	25
16	E01	X	2
17			
18	F03	6	7
19			
20			
21	W21	904	
22			
23			
24	W22	91	
25			
26			
27			
28	G18	28	72
	JACK	PIN	LG

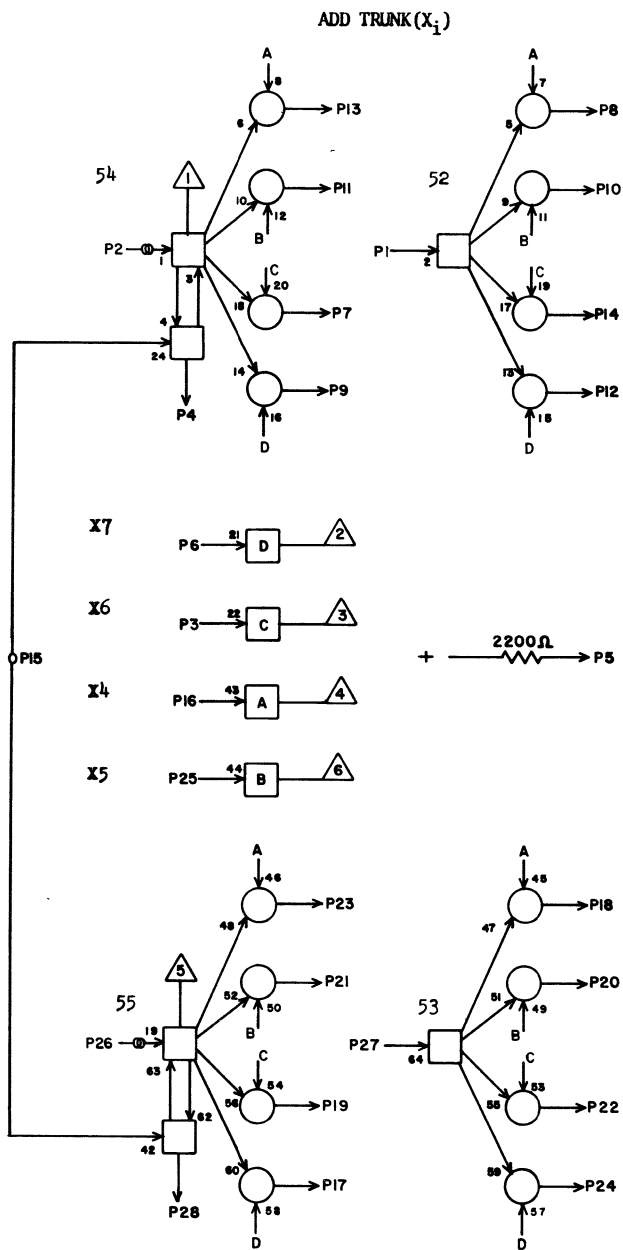
63017200 Rev. N.



8E02

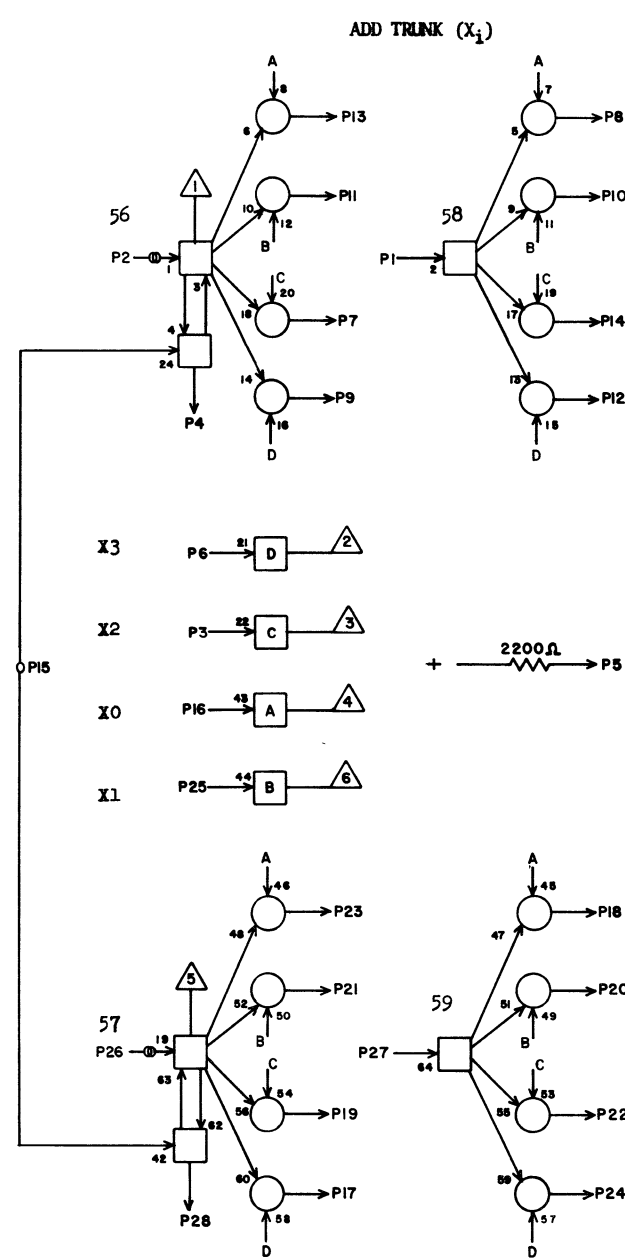
RA		8E02	
1	E03	4	3
2	H15	1	19
3	E14	11	15
4	E03	1	5
5			
6	E14	17	15
7	D21	3	21
8	C21	22	21
9	D27	3	25
10	C27	27	27
11	C27	3	27
12	D27	22	25
13	C21	3	23
14	D21	22	21
15	G04	8	11
16	E13	11	13
17	D27	14	25
18	C21	21	23
19	D21	14	21
20	C27	21	27
21	C27	14	27
22	D21	21	21
23	C21	14	21
24	D27	21	25
25	E13	17	13
26	H15	6	19
27	E03	28	3
28	E03	27	5
	JACK	PIN	LG

63017200 Rev. E



RA		8E03	
1	E02	4	5
2	H15	23	21
3	F14	11	15
4	E02	1	3
5			
6	F14	17	15
7	F21	22	19
8	E21	3	19
9	F27	22	25
10	E27	3	25
11	E27	22	25
12	F27	3	25
13	E21	22	19
14	F21	3	19
15	G04	10	11
16	F13	11	13
17	F27	21	25
18	E21	4	19
19	F21	21	19
20	E27	4	25
21	E27	21	25
22	F21	4	19
23	E21	21	19
24	F27	4	25
25	F13	17	17
26	H15	28	19
27	E02	28	5
28	E02	27	3
	JACK	PIN	LG

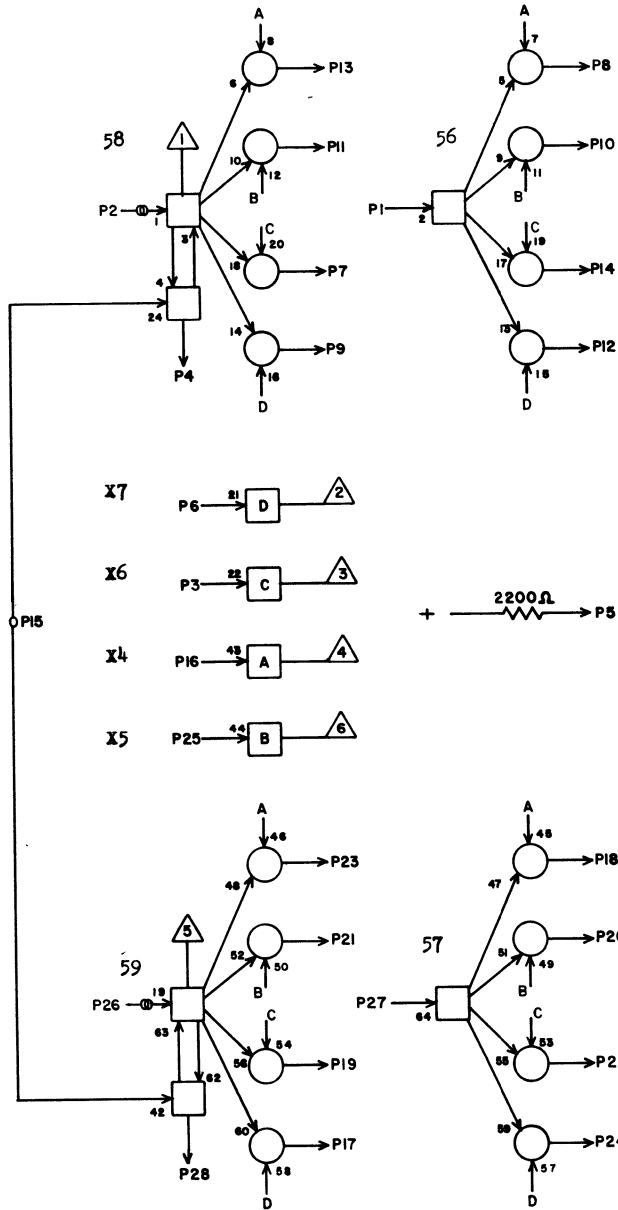
63017200 Rev. E



RA		8E04	
1	E05	4	3
2	H16	1	19
3	E14	12	13
4	E05	1	5
5			
6	E14	19	13
7	D22	3	19
8	C22	22	21
9	D28	3	25
10	C28	22	25
11	C28	3	25
12	D28	22	25
13	C22	3	21
14	D22	22	19
15	G04	12	11
16	E13	12	13
17	D28	14	25
18	C22	21	21
19	D22	14	19
20	C28	21	25
21	C28	14	25
22	D22	21	21
23	C22	14	21
24	D28	21	25
25	E13	19	13
26	H16	6	17
27	E05	28	3
28	E05	27	5
	JACK	PIN	LG

63017200 Rev. E

ADD TRUNK (X_i)



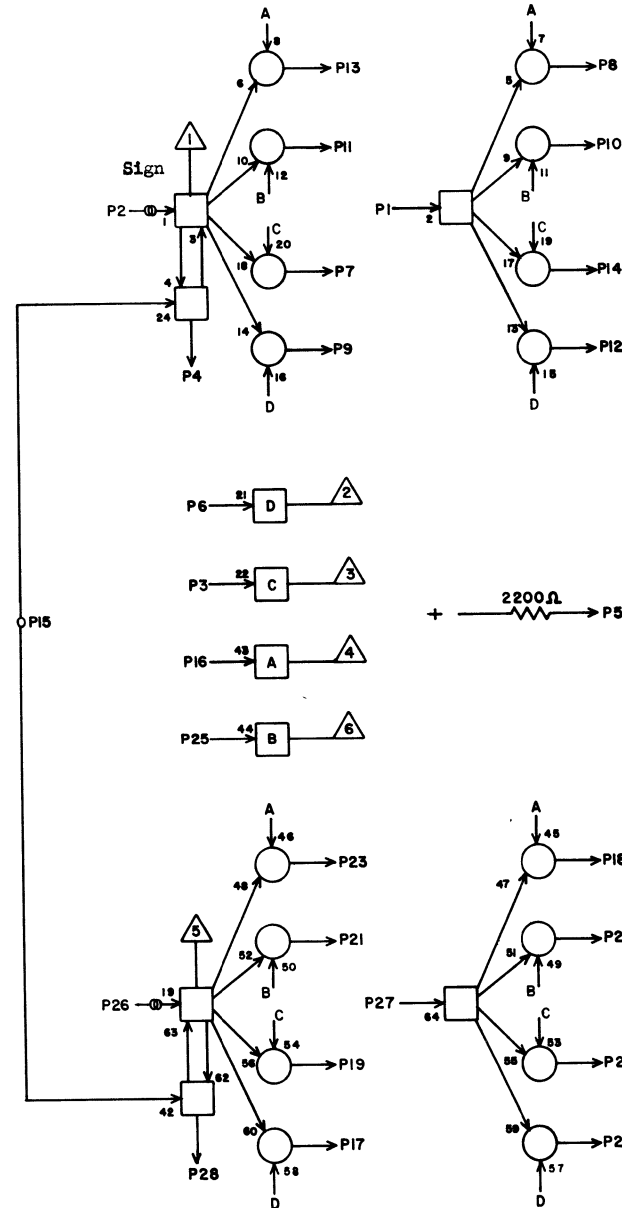
RA

8E05

1	E04	4	5
2	H16	23	19
3	F14	12	13
4	E04	1	3
5			
6	F14	19	13
7	F22	22	19
8	E22	3	19
9	F28	22	23
10	E28	3	23
11	E28	22	23
12	F28	3	25
13	E22	22	19
14	F22	3	19
15	G04	2	11
16	F13	12	13
17	F28	21	23
18	E22	4	19
19	F22	21	19
20	E28	4	25
21	E28	21	23
22	F22	4	19
23	E22	21	19
24	F28	4	25
25	F13	19	11
26	H16	28	19
27	E04	28	5
28	E04	27	3

JACK PIN LG

63017200 Rev. E



RA

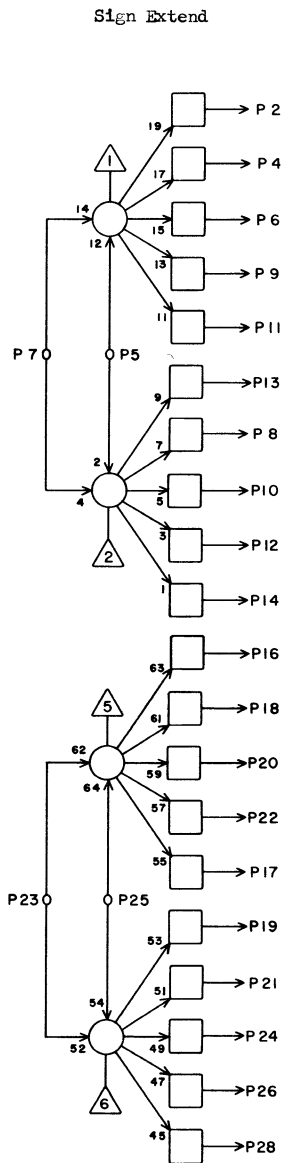
8E06

1	E06	19	3
2			
3	B14	8	17
4			
5	B14	1	19
6	B14	9	17
7			
8	B15	4	17
9			
10	B15	28	17
11			
12	B16	28	17
13			
14	B16	4	19
15	G04	25	13
16	B14	3	19
17			
18	A16	4	21
19	E06	1	3
20	A16	28	21
21	E07	25	3
22	A15	28	19
23	E07	5	5
24	A15	4	21
25	B14	5	19
26	W13	90	
27	E06	28	3
28	E06	27	3

JACK PIN LG

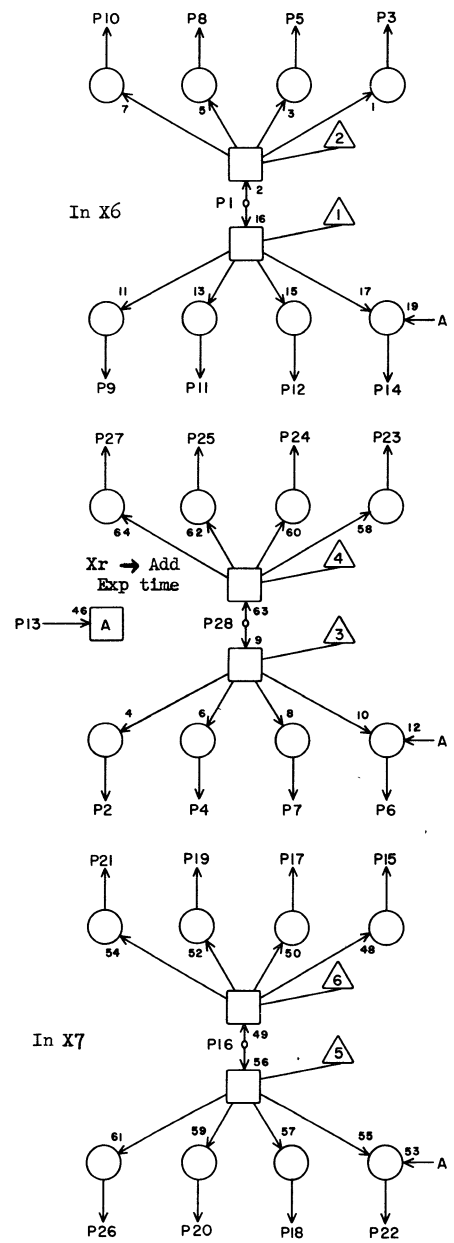
63017200 Rev. E

8E06



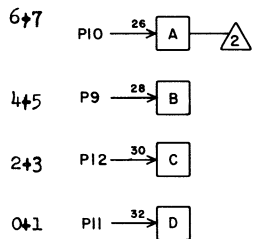
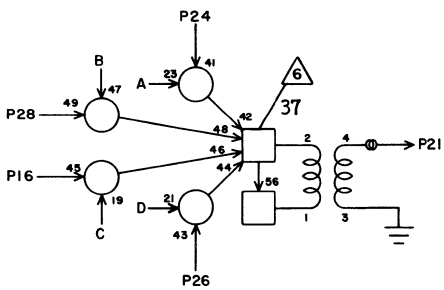
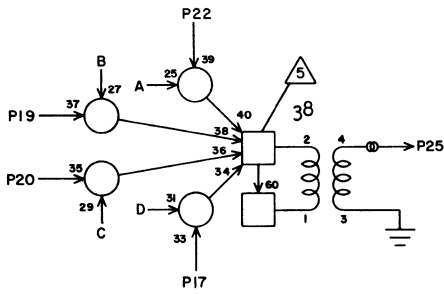
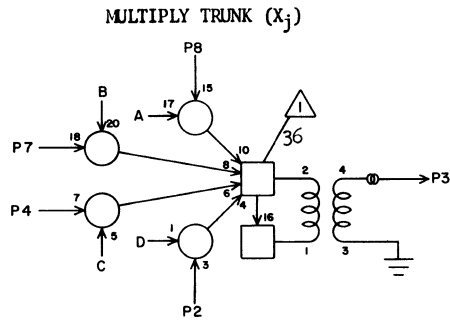
HC		8E07	
JACK	PIN	LG	
1			
2	D15	4	13
3			
4	D16	4	13
5	E06	23	5
6	C15	4	13
7			
8	E15	4	11
9	D16	28	11
10	E15	28	11
11	D15	28	11
12	E16	28	13
13			
14	E16	4	13
15	G04	23	13
16			
17	C16	28	15
18	F15	4	13
19	C16	4	15
20	F15	28	13
21	C15	28	15
22	F16	4	13
23			
24	F16	28	15
25	E06	21	3
26			
27			
28			

63017200 Rev. E



HF		8E08	
JACK	PIN	LG	
1	B17	25	17
2	G34	27	29
3	A16	3	21
4	D35	16	27
5	B16	3	17
6	D33	16	27
7	D34	16	27
8	C16	3	15
9	D16	3	13
10			
11	E16	3	11
12	F16	3	13
13	A03	5	21
14			
15	A16	6	21
16	B18	25	17
17	E16	6	11
18	B16	6	17
19	F16	6	13
20	C16	6	15
21	D16	6	13
22			
23	D32	16	25
24	D31	16	25
25	D30	16	23
26			
27	D29	16	23
28	H25	7	60

63017200 Rev. E



Out Mult

RG

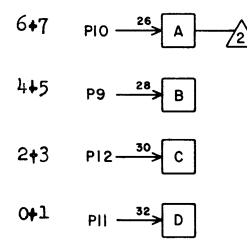
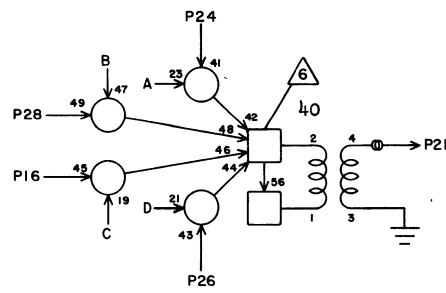
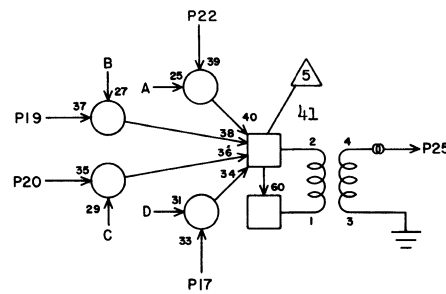
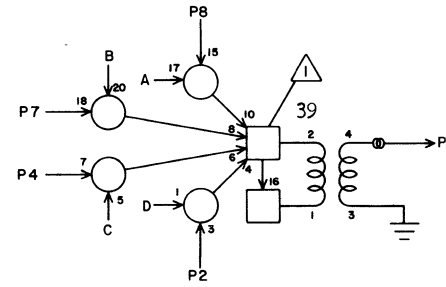
8E 09

1			
2	A27	15	25
3	W09	90	
4	B35	25	29
5			
6			
7	D31	25	23
8	E41	8	33
9	F32	1	25
10	F31	1	23
11	F34	1	25
12	F33	1	25
13			
14			
15			
16	B36	26	29
17	A29	25	27
18			
19	D33	25	25
20	B37	25	29
21	W09	91	
22	F29	8	23
23			
24	E42	7	31
25	W09	92	
26	A28	26	25
27			
28	D32	26	25

JACK PIN LG

63017200 Rev. E

MULTIPLY TRUNK (X_j)



8E10

RG

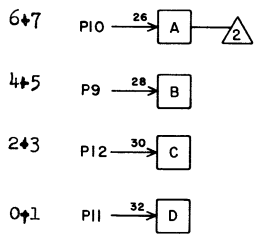
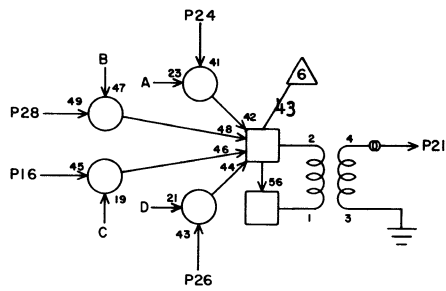
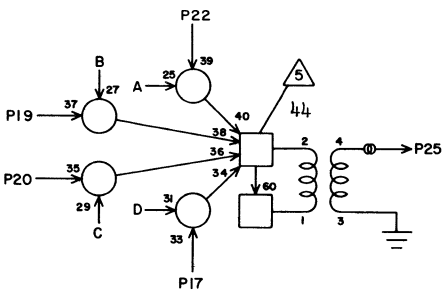
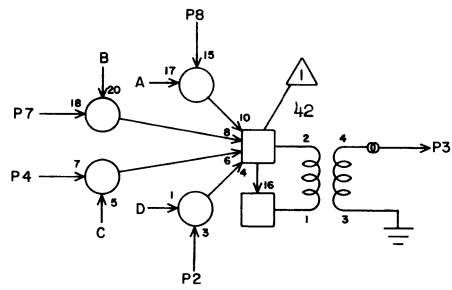
8E 10

1			
2	A30	26	25
3	W09	93	
4	B38	26	29
5			
6			
7	D34	26	25
8	F30	7	21
9	F32	2	23
10	F31	2	23
11	F34	2	25
12	F33	2	23
13			
14			
15			
16	B39	25	31
17	A32	26	27
18			
19	D36	26	27
20	B40	26	31
21	W09	94	
22	F32	7	23
23			
24	F31	8	23
25	W09	95	
26	A31	25	27
27			
28	D35	25	27

JACK PIN LG

63017200 Rev. F

MULTIPLY TRUNK (X_j)



RG

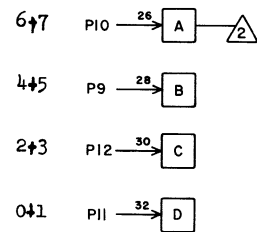
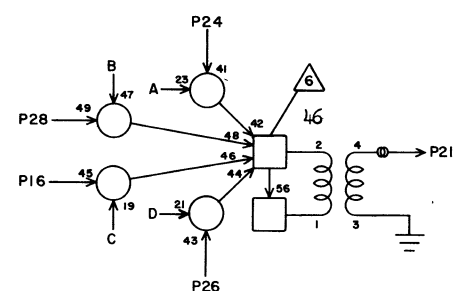
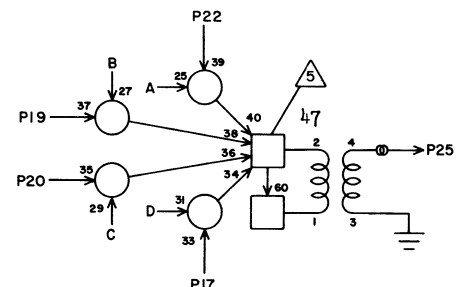
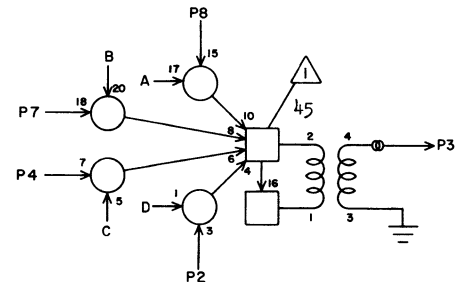
8E 11

1			
2	A33	25	27
3	W09	96	
4	B41	25	33
5			
6			
7	D37	8	27
8	F33	8	23
9	F32	3	23
10	F31	3	23
11	F34	3	23
12	F33	3	23
13			
14			
15			
16	B42	26	33
17	A35	25	29
18			
19	D39	8	29
20	C29	25	21
21	W09	97	
22	F35	8	25
23			
24	F34	7	23
25	W09	98	
26	A34	26	29
27			
28	D38	7	27

JACK PIN LG

63017200 Rev. E

MULTIPLY TRUNK (X_j)



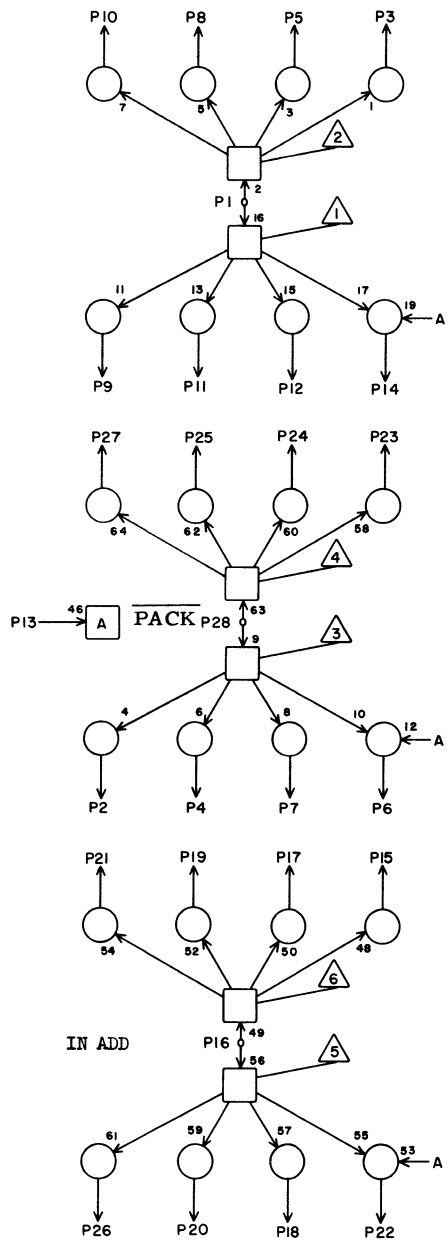
RG

8E 12

1			
2	A36	26	27
3	W09	99	
4	C30	26	21
5			
6			
7	D40	7	29
8	F36	7	25
9	F32	5	21
10	F31	5	21
11	F34	5	23
12	F33	5	23
13			
14			
15			
16	C31	25	23
17	A38	26	31
18			
19	D42	7	31
20	C32	26	23
21	W09	900	
22	F38	7	27
23			
24	F37	8	25
25	W09	901	
26	A37	25	29
27			
28	D41	8	29

JACK PIN LG

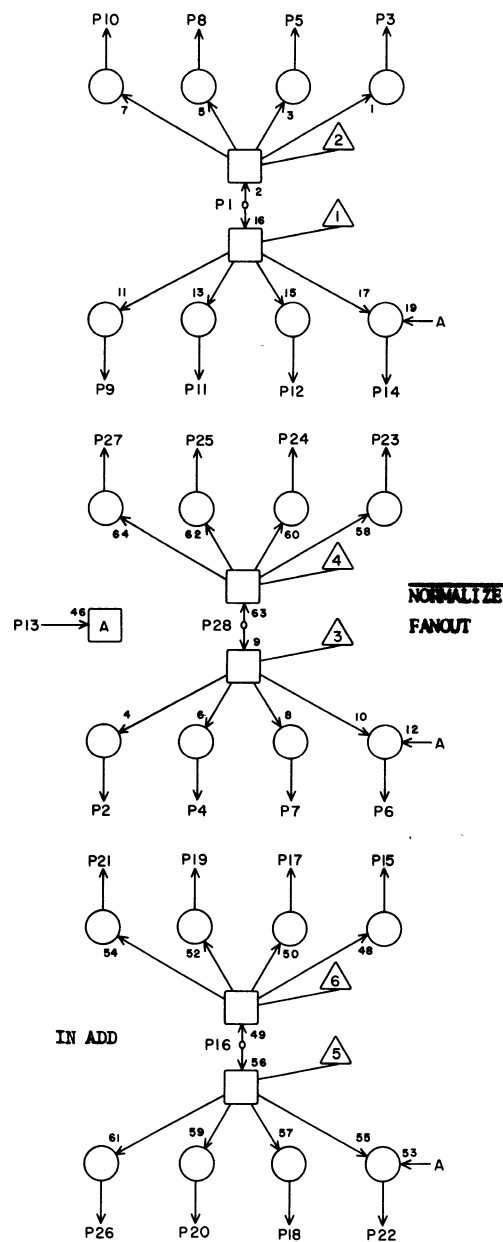
63017200 Rev. E



HF 8E13

1	G05	23	17
2	L03	19	31
3	D01	16	15
4	L04	19	31
5	D03	16	13
6	K18	3	25
7	L05	19	31
8	D05	16	11
9	D07	16	11
10			
11	E02	16	13
12	E04	16	13
13	J04	27	25
14			
15	D01	25	15
16	G06	23	15
17	E02	25	13
18	D03	25	13
19	E04	25	13
20	D05	25	11
21	D07	25	9
22			
23	L06	19	31
24	L07	19	31
25	L08	19	31
26			
27	I19	24	21
28	G16	12	120

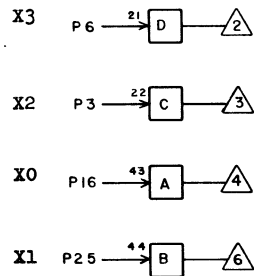
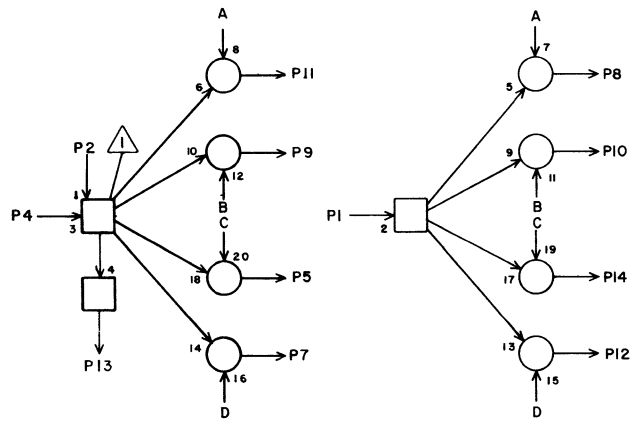
JACK PIN LG



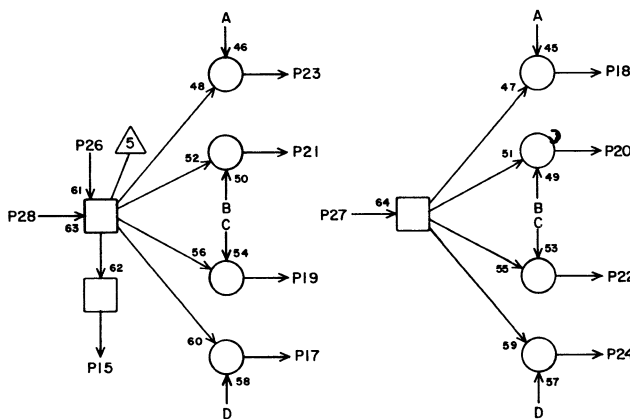
HF 8E14

1	G07	23	15
2	G19	11	11
3	D01	3	15
4	I17	13	21
5	D03	3	13
6	G18	24	13
7	G33	24	23
8	D05	3	13
9	D07	3	11
10			
11	E02	3	15
12	E04	3	13
13	A04	5	27
14			
15	D01	6	17
16	G08	23	15
17	E02	6	15
18	D03	6	15
19	E04	6	13
20	D05	6	13
21	D07	6	13
22			
23	G20	11	13
24	L16	18	29
25	L14	18	29
26			
27	L15	18	29
28	G16	4	11

JACK PIN LG



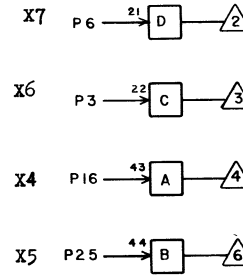
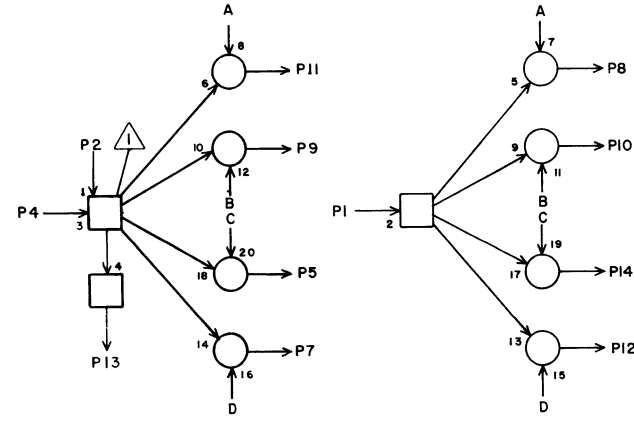
Incr (Mem) to X
16-19



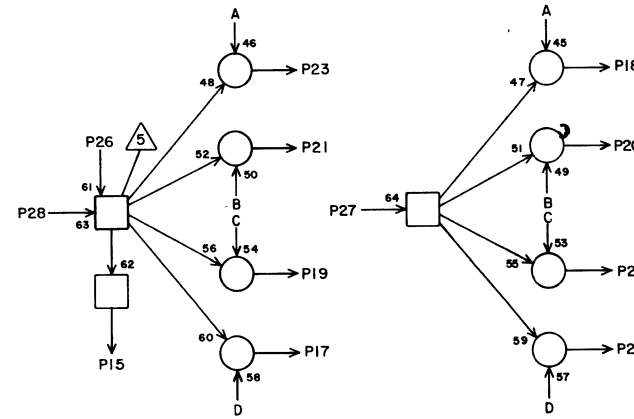
8 E 15

RC			
1	E16	13	5
2	B01	13	19
3	F06	24	13
4	E07	8	11
5	D21	9	11
6	F08	25	13
7	D27	9	15
8	C21	24	13
9	C27	9	17
10	C27	24	17
11	C21	9	13
12	D27	24	15
13	E16	1	5
14	D21	24	9
15	E16	27	5
16	F06	11	13
17	D27	15	15
18	C21	23	13
19	D21	15	11
20	C27	23	17
21	C27	15	17
22	D21	23	11
23	C21	15	13
24	D27	23	15
25	F06	17	13
26	B01	23	21
27	E16	15	5
28	E07	10	11

63017200 Rev. E



INCR (MEM) TO X
16-19

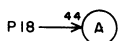
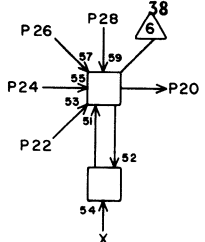
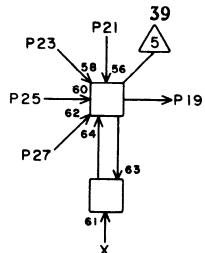
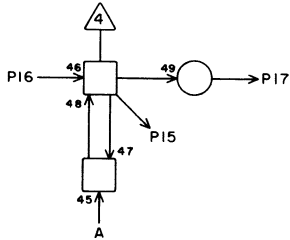
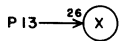
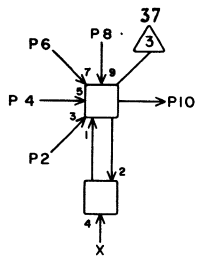
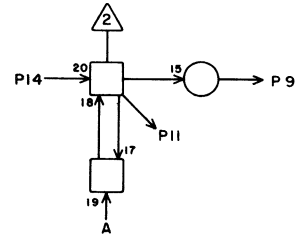
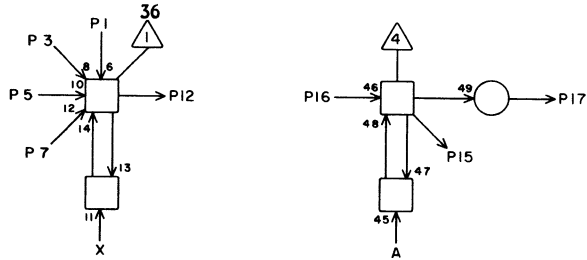


8 E 16

RC			
1	E15	13	5
2	B01	8	21
3	E08	11	11
4	E07	14	13
5	F21	24	9
6	E08	17	11
7	F27	24	15
8	E21	5	9
9	E27	24	13
10	E27	5	13
11	E21	24	7
12	F27	5	15
13	E15	1	5
14	F21	5	11
15	E15	27	5
16	F08	11	11
17	F27	23	15
18	E21	6	9
19	F21	23	9
20	E27	6	13
21	E27	23	13
22	F21	6	9
23	E21	23	7
24	F27	6	15
25	F08	17	13
26	B01	18	21
27	E15	15	5
28	E07	12	13

63017200 Rev. E

OPERATING REG. X4

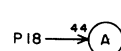
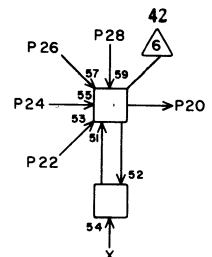
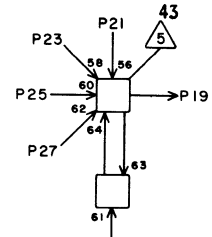
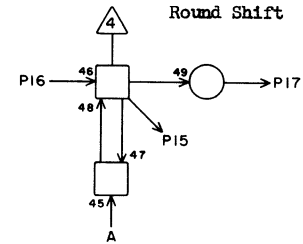
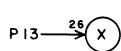
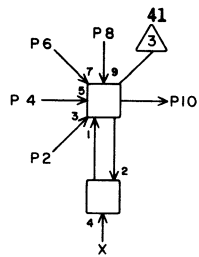
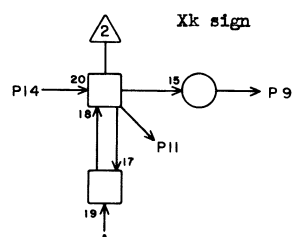
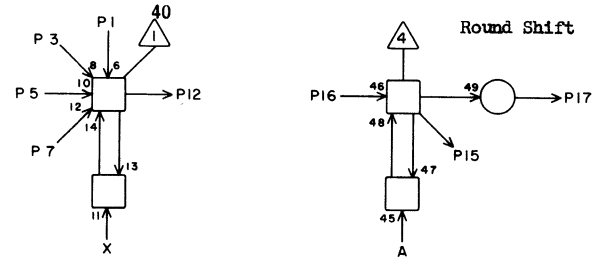


RP 8E 17

1	B06	8	17
2	B06	18	17
3	D02	8	17
4	D02	18	17
5	A16	8	19
6	A16	18	17
7	B19	6	15
8	B19	5	17
9			
10	D32	14	17
11			
12	D31	10	17
13	G23	2	13
14			
15			
16			
17			
18	H10	27	21
19	D34	14	19
20	D33	10	19
21	D02	23	17
22	D02	13	17
23	A16	23	17
24	A16	11	19
25	B19	7	17
26	B06	13	17
27	B06	23	17
28	B19	2	17

JACK PIN LG

OPERATING REG. X4

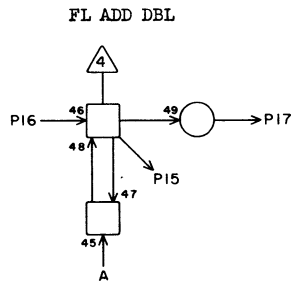
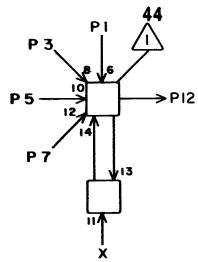


RP 8E 18

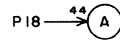
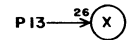
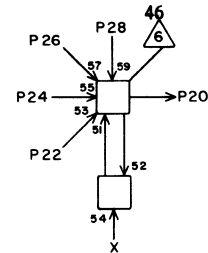
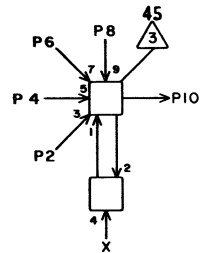
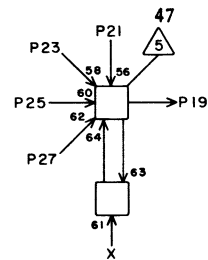
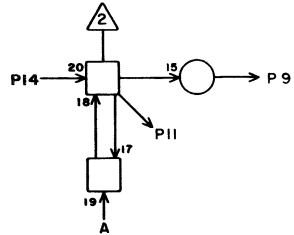
1	B08	8	19
2	B08	18	19
3	D04	8	17
4	D04	18	17
5	B16	8	17
6	B16	18	15
7	B19	9	15
8	B19	12	15
9			
10	D36	14	19
11			
12	D35	10	19
13	G23	4	11
14			
15	H09	24	17
16	H01	4	23
17	H09	8	15
18	I23	23	21
19	D38	9	23
20	D37	19	21
21	D04	23	17
22	D04	13	17
23	B16	23	15
24	B16	11	15
25	B20	5	17
26	B08	13	17
27	B08	23	17
28	B20	6	17

JACK PIN LG

OPERATING REG. X4



FL ADD ROUND



RP

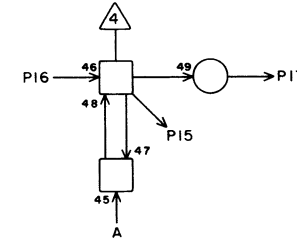
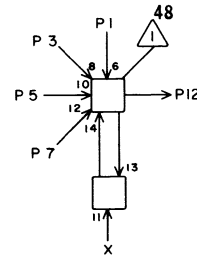
8E19

1	C02	8	21
2	C02	18	21
3	D06	8	17
4	D06	18	17
5	C16	8	13
6	C16	18	13
7	B20	2	15
8	B20	7	15
9	H20	6	15
10	D40	9	25
11	H24	18	15
12	D39	19	23
13	G23	6	11
14	H01	17	23
15	D21	5	11
16	H01	27	23
17	M16	12	33
18	D22	4	11
19	D42	9	25
20	D41	19	25
21	D06	23	15
22	D06	13	15
23	C16	23	11
24	C16	11	11
25	B20	12	17
26	C02	13	19
27	C02	23	19
28	B20	9	17

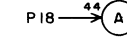
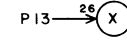
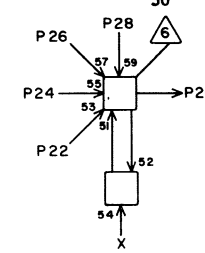
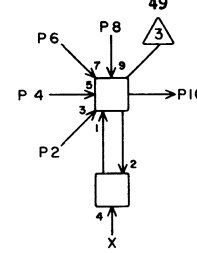
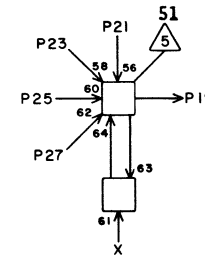
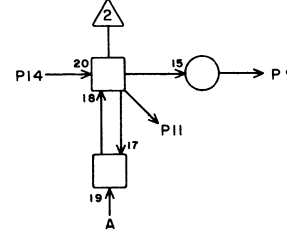
JACK PIN LG

63017200 Rev. E

OPERATING REG. X4



F1 Add plus



RP

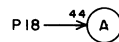
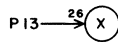
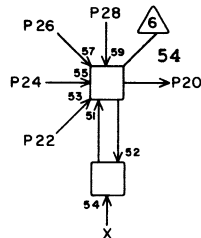
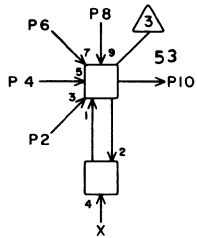
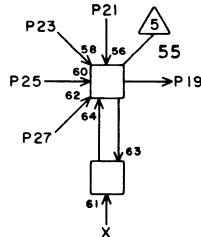
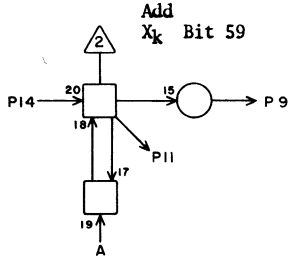
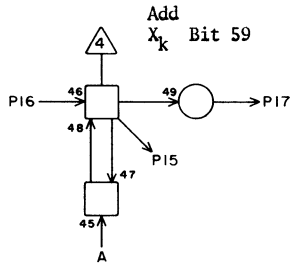
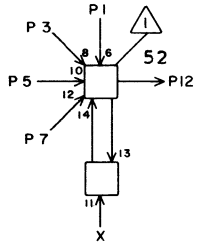
8E 20

1	C04	8	19
2	C04	18	19
3	D08	8	15
4	D08	18	15
5	D16	8	9
6	D16	18	9
7	B21	6	15
8	B21	5	17
9	M29	19	47
10	E30	9	13
11	H09	28	19
12	E29	19	13
13	G23	9	13
14	G01	19	23
15	K42	7	31
16	K42	16	233
17			
18	D22	6	11
19	E32	9	15
20	E31	19	15
21	D08	23	15
22	D08	13	15
23	D16	23	9
24	D16	11	9
25	B21	7	17
26	C04	13	19
27	C04	23	19
28	B21	2	17

JACK PIN LG

63017200 Rev. AB

OPERATING REG. X4

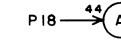
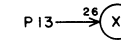
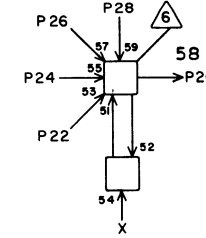
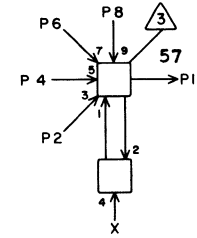
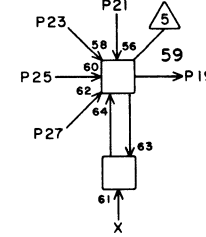
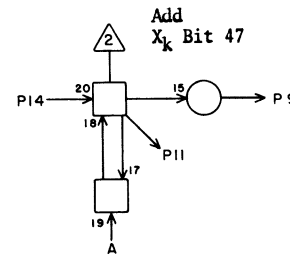
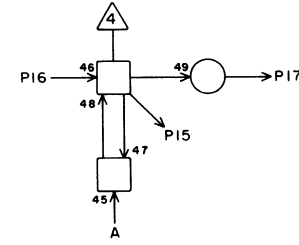
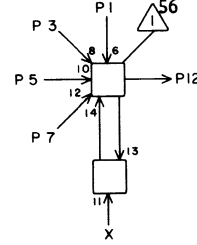


RP 8E 21

1	C06	8	19
2	C06	18	19
3	E03	8	19
4	E03	18	19
5	E16	8	9
6	E16	18	9
7	B21	9	15
8	B21	12	15
9	K42	10	31
10	E34	9	15
11	H24	21	15
12	E33	19	15
13	G23	11	11
14	D19	4	9
15	C21	5	13
16	D19	6	9
17			
18	D22	2	9
19	E36	9	17
20	E35	19	17
21	E03	23	19
22	E03	13	19
23	E16	23	7
24	E16	11	7
25	B22	5	17
26	C06	13	19
27	C06	23	17
28	B22	6	17

JACK PIN LG

OPERATING REG. X4

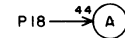
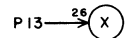
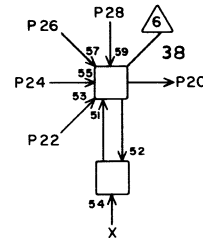
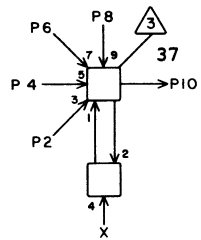
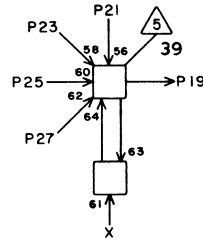
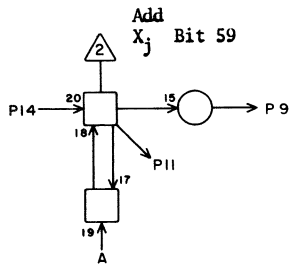
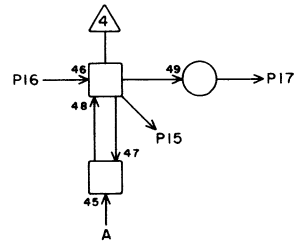
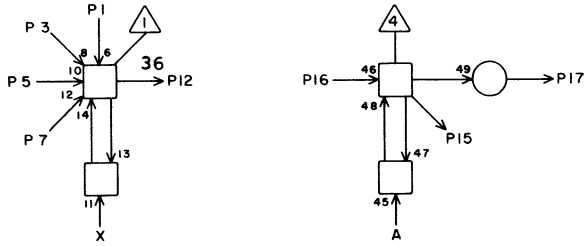


RP 8E 22

1	C08	8	19
2	C08	18	19
3	E05	8	19
4	E05	18	19
5	F16	8	11
6	F16	18	11
7	B22	2	17
8	B22	7	15
9			
10	E38	9	17
11	H24	9	15
12	E37	19	17
13	G23	13	11
14	D18	4	11
15			
16	D18	6	11
17			
18	D22	10	9
19	E40	9	19
20	E39	19	19
21	E05	23	19
22	E05	13	19
23	F16	23	11
24	F16	11	9
25	B22	12	17
26	C08	13	17
27	C08	23	17
28	B22	9	17

JACK PIN LG

OPERATING REG. X5

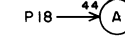
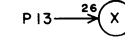
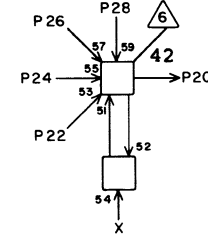
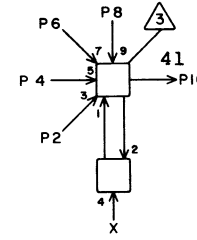
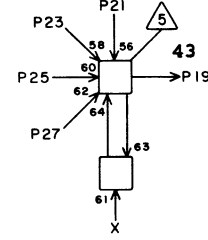
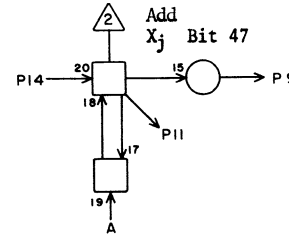
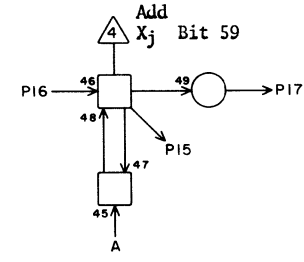
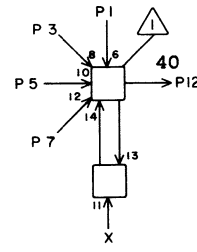


RP **8E 23**

1	B 06	10	23
2	B06	20	23
3	D02	10	23
4	D02	20	23
5	A16	10	21
6	A16	20	21
7	B23	6	15
8	B23	5	17
9	H09	25	21
10	D32	10	13
11	H24	23	15
12	D31	14	13
13	G23	16	11
14	L30	20	33
15			
16	L30	22	35
17			
18	C17	2	15
19	D34	10	15
20	D33	14	13
21	D02	21	21
22	D02	11	23
23	A16	21	19
24	A16	9	19
25	B23	7	17
26	B06	11	21
27	B06	21	23
28	B23	2	17

JACK PIN LG

OPERATING REG. X5

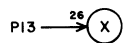
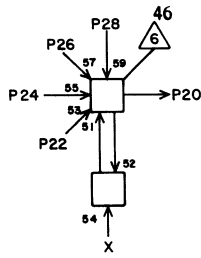
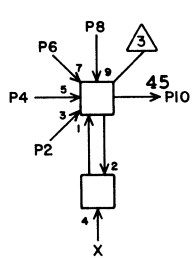
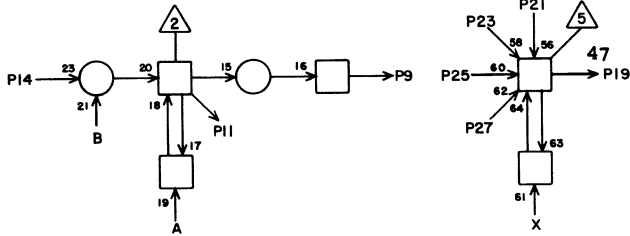
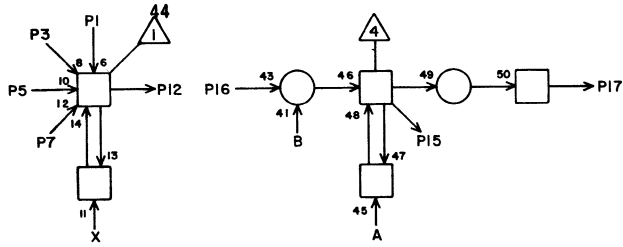


RP **8E 24**

1	B08	10	23
2	B08	20	21
3	D04	10	21
4	D04	20	23
5	B16	10	17
6	B16	20	17
7	B23	9	15
8	B23	12	15
9			
10	D36	10	15
11	H24	11	15
12	D35	14	15
13	G23	18	13
14	C18	4	15
15	C22	5	17
16	L30	24	35
17			
18	C17	4	15
19	D38	19	17
20	D37	9	17
21	D04	21	21
22	D04	11	21
23	B16	21	17
24	B16	9	17
25	B24	5	17
26	B08	11	21
27	B08	21	21
28	B24	6	17

JACK PIN LG

OPERATING REG. X5



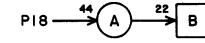
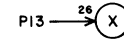
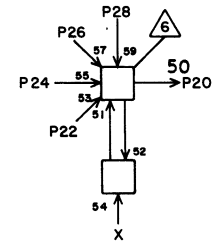
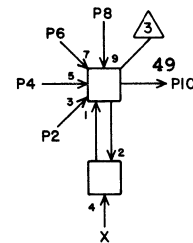
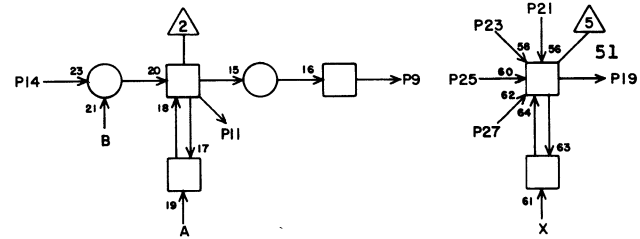
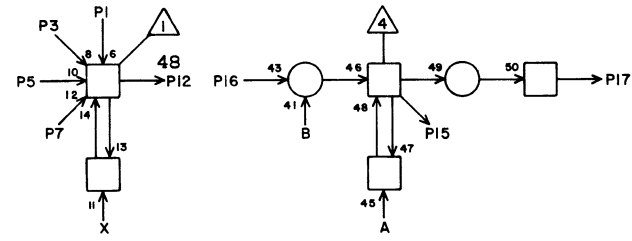
RK 8E 25

1	C02	10	25
2	C02	20	25
3	D06	10	21
4	D06	20	21
5	C16	10	15
6	C16	20	15
7	B24	2	17
8	B24	7	17
9			
10	D40	19	17
11			
12	D39	9	17
13	G23	20	13
14			
15			
16			
17			
18			
19	D42	19	19
20	D41	9	19
21	D06	21	19
22	D06	11	19
23	C16	21	15
24	C16	9	15
25	B24	12	17
26	C02	11	25
27	C02	21	25
28	B24	9	17

JACK PIN LG

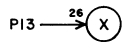
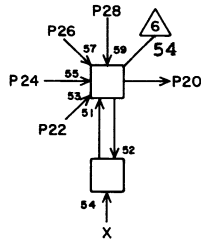
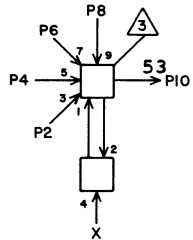
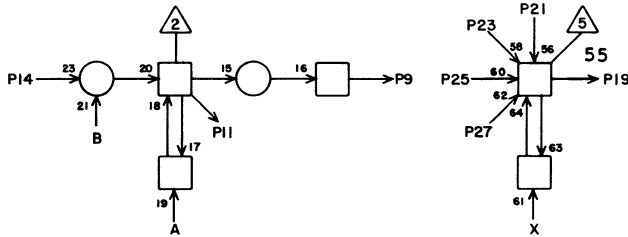
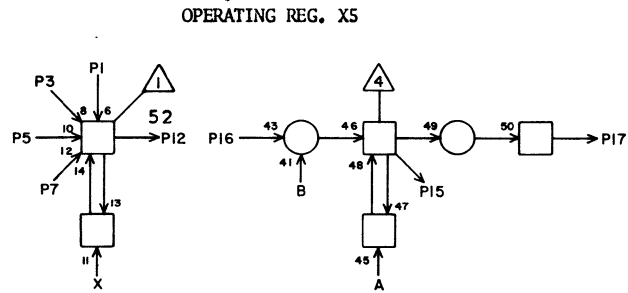
RK 8E 26

OPERATING REG. X5



1	C04	10	25
2	C04	20	25
3	D08	10	19
4	D08	20	19
5	D16	10	13
6	D16	20	13
7	B25	6	15
8	B25	5	17
9			
10	E30	19	7
11			
12	E29	9	7
13	G23	22	13
14			
15			
16			
17			
18			
19	E32	19	9
20	E31	9	7
21	D08	21	19
22	D08	11	19
23	D16	21	13
24	D16	9	13
25	B25	7	17
26	C04	11	23
27	C04	21	23
28	B25	2	17

JACK PIN LG

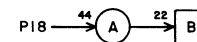
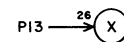
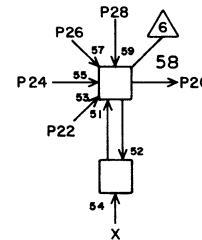
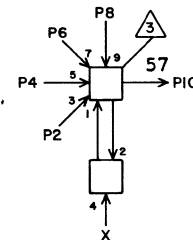
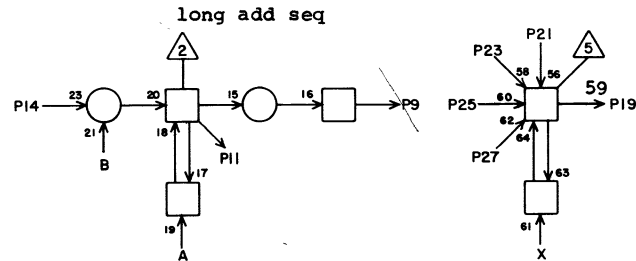
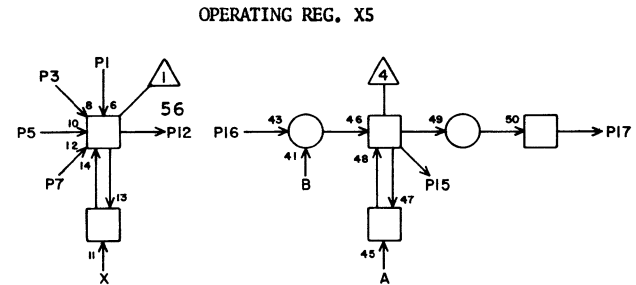


RK 8E 27

	JACK	PIN	LG
1	C06	10	23
2	C06	20	23
3	E03	10	25
4	E03	20	25
5	E16	10	13
6	E16	20	13
7	B25	9	15
8	B25	12	15
9			
10	E34	19	11
11			
12	E33	9	9
13	G23	17	13
14			
15			
16			
17			
18			
19	E36	19	13
20	E35	9	11
21	E03	21	25
22	E03	11	25
23	E16	21	13
24	E16	9	13
25	B26	5	17
26	C06	11	23
27	C06	21	23
28	B26	6	17

JACK PIN LG

63017200 Rev. E



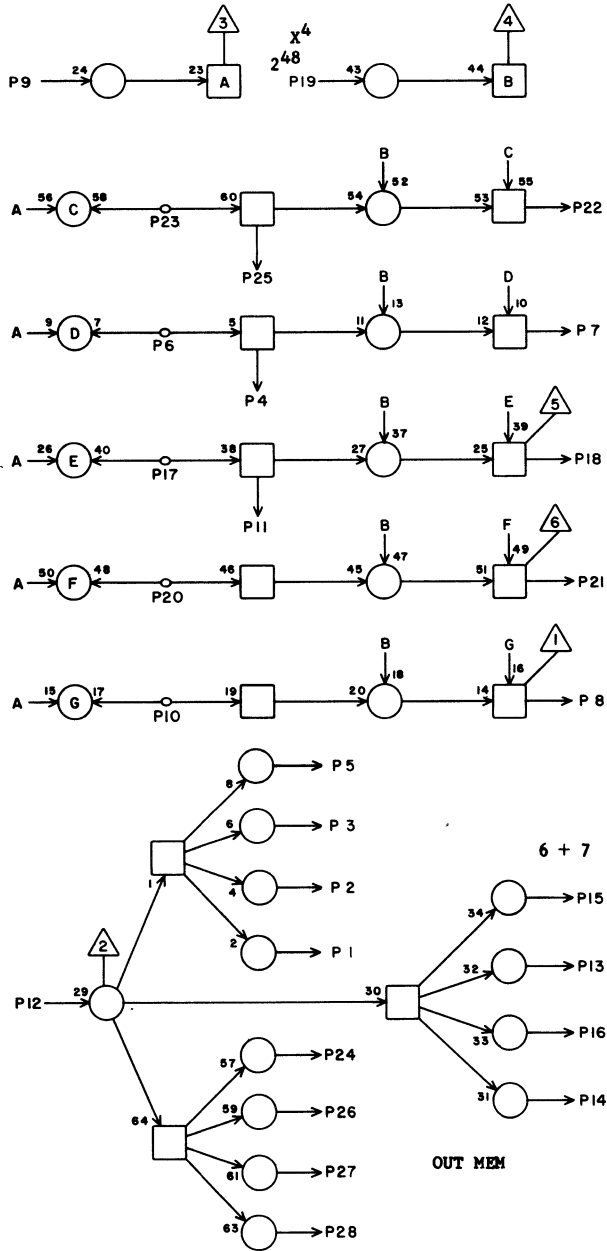
RK 8E 28

	JACK	PIN	LG
1	C08	10	23
2	C08	20	23
3	E05	10	23
4	E05	20	25
5	F16	10	15
6	F16	20	15
7	B26	2	17
8	B26	7	17
9			
10	E38	19	13
11	H 6	18	27
12	E37	9	13
13	G23	19	13
14	B25	24	15
15			
16			
17			
18	H25	23	17
19	E40	19	15
20	E39	9	15
21	E05	21	23
22	E05	11	23
23	F16	21	15
24	F16	9	15
25	B26	12	17
26	C08	11	23
27	C08	21	23
28	B26	9	17

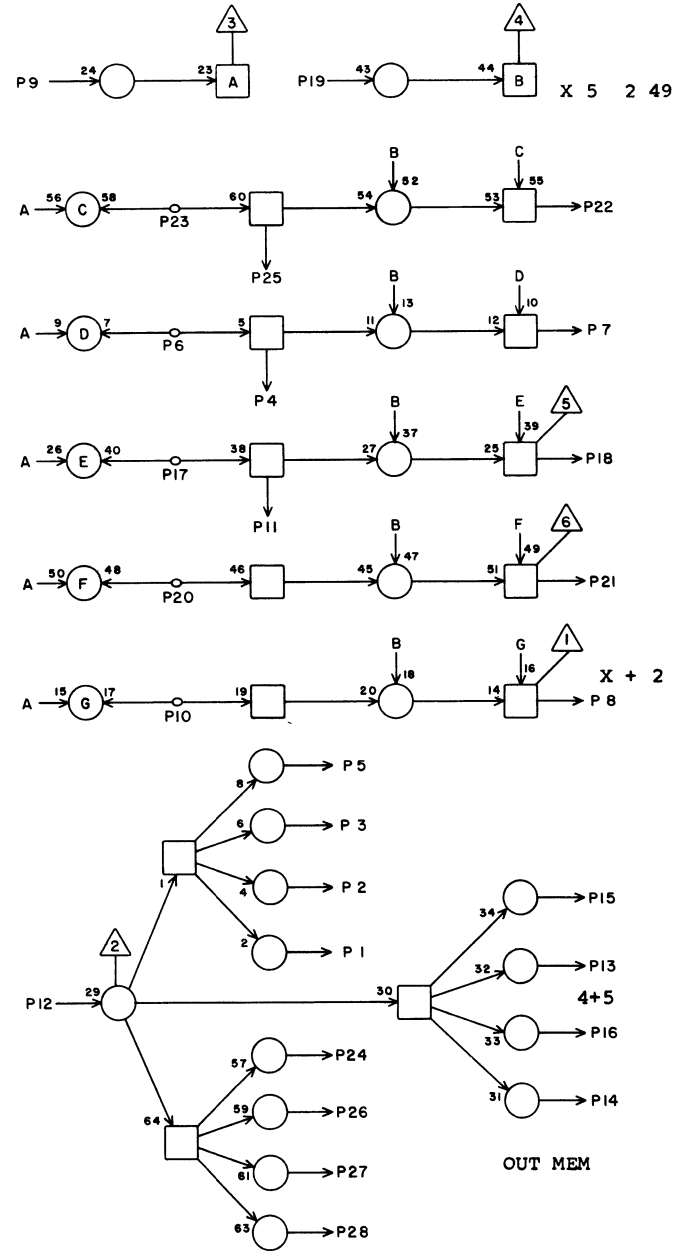
JACK PIN LG

63017200 Rev. E

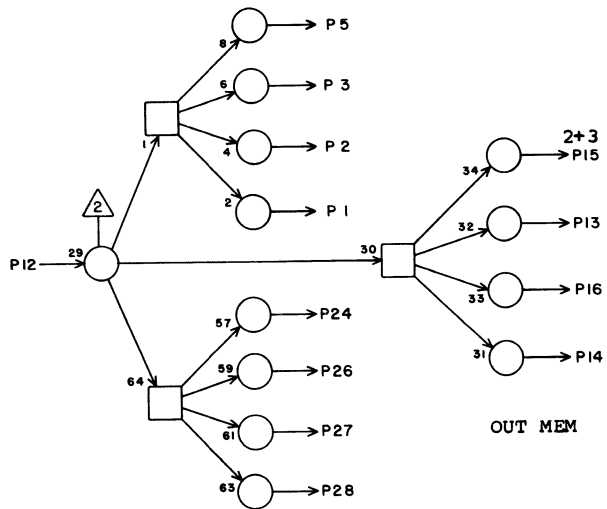
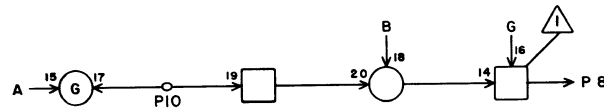
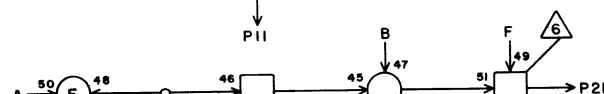
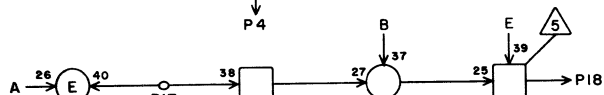
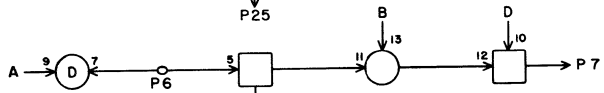
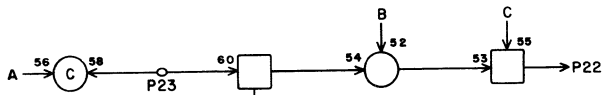
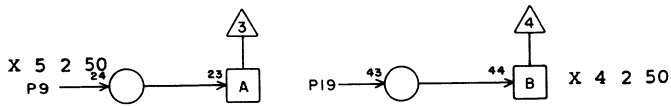
2 4 8 X 5



RJ		8E29	
JACK	PIN	LG	
1	A09	10	27
2	A10	10	25
3	A11	10	25
4	E30	10	5
5	A12	10	25
6	D37	15	13
7	B39	19	17
8	F09	7	21
9	E26	12	7
10	E30	4	5
11	E30	17	5
12	G10	15	21
13	B09	10	25
14	B10	10	23
15	B11	10	23
16	B12	10	23
17	E41	15	15
18	B09	7	25
19	E20	12	13
20	E30	25	5
21	D09	7	21
22	A39	19	21
23	C39	15	15
24			
25	E30	20	5
26			
27			
28			



RJ		8E30	
JACK	PIN	LG	
1	A09	9	27
2	A10	9	25
3	A11	9	25
4	E29	10	5
5	A12	9	25
6	E37	15	11
7	F09	28	23
8	B40	19	17
9	E20	10	13
10	E29	4	5
11			
12	G10	9	23
13	B09	9	25
14	B10	9	25
15	B11	9	23
16	B12	9	23
17	E29	11	5
18	B09	28	25
19	E26	10	7
20	E29	25	5
21	A40	19	21
22	D09	28	23
23	D41	15	15
24			
25	E29	20	5
26			
27			
28			

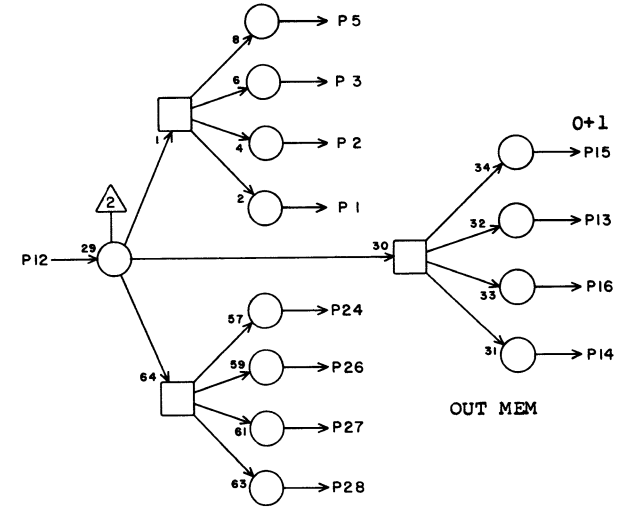
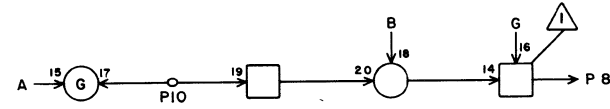
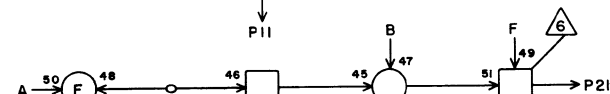
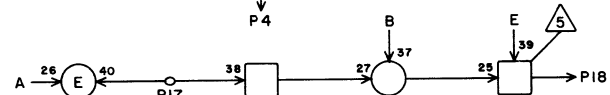
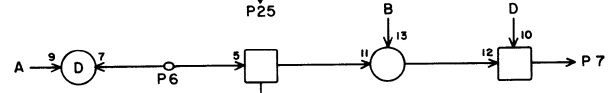
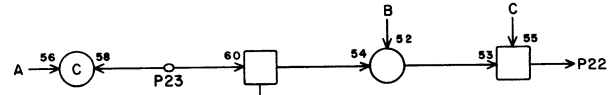
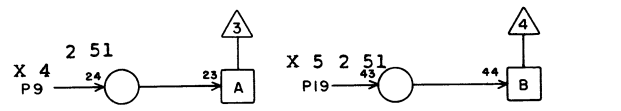


RJ 8E 31

1	A09	12	27
2	A10	12	27
3	A11	12	27
4	E32	10	5
5	A12	12	25
6	D37	16	9
7	B41	19	17
8	F09	19	23
9	E26	20	7
10	E32	4	5
11	E32	17	5
12	G10	11	23
13	B09	12	27
14	B10	12	25
15	B11	12	25
16	B12	12	23
17	E41	16	13
18	B09	19	27
19	E20	20	15
20	E32	25	5
21	D09	19	27
22	A41	19	21
23	C39	16	15
24			
25	E32	20	5
26			
27			
28			

JACK PIN LG

63017200 Rev. E

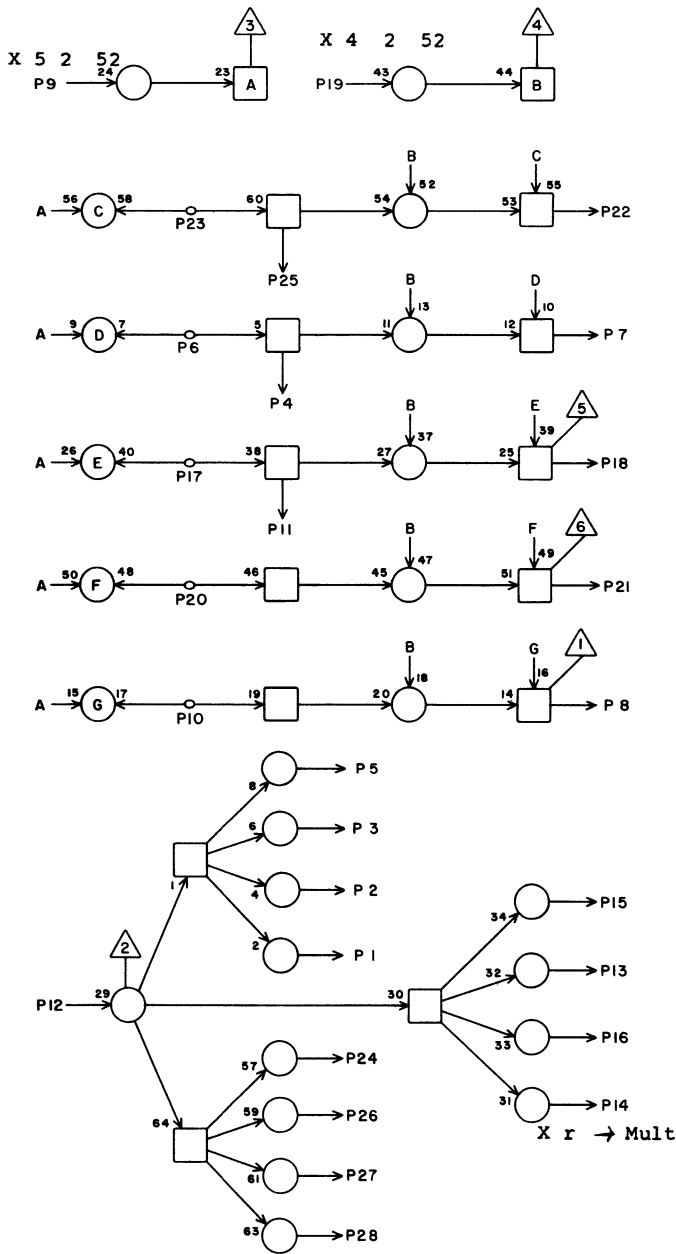


RJ 8E 32

1	A09	11	27
2	A10	11	27
3	A11	11	27
4	E31	10	5
5	A12	11	27
6	E37	16	9
7	F10	7	23
8	B42	19	17
9	E20	19	15
10	E31	4	5
11			
12	G10	10	23
13	B09	11	27
14	B10	11	25
15	B11	11	25
16	B12	11	25
17	E31	11	5
18	B10	7	25
19	E26	19	9
20	E31	25	5
21	A42	19	21
22	D10	7	23
23	D41	16	13
24			
25	E31	20	5
26			
27			
28			

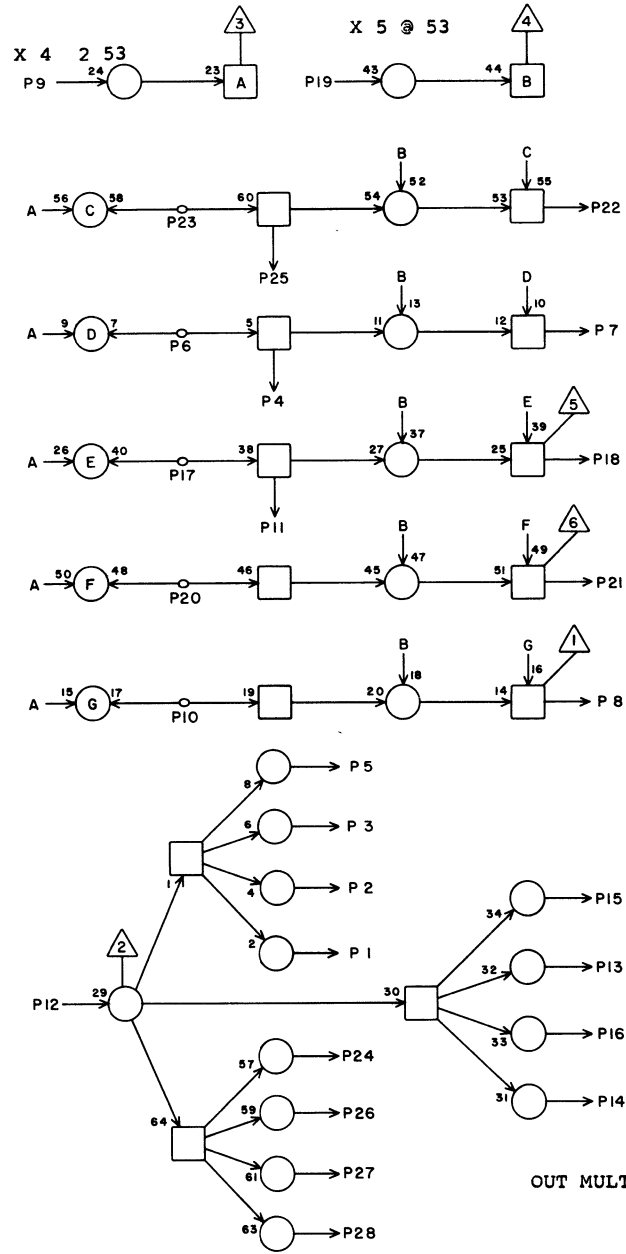
JACK PIN LG

63017200 Rev. E



RJ		8E 33	
1	C09	10	25
2	C10	10	25
3	C11	10	25
4	E34	10	5
5	C12	10	23
6	D37	24	7
7	D29	19	7
8	F10	28	25
9	E27	12	9
10	E34	4	5
11	E34	17	5
12	F05	15	29
13	D09	10	25
14	D10	10	25
15	D11	10	23
16	D12	10	23
17	E41	24	11
18	B10	28	31
19	E21	12	15
20	E34	25	5
21	D10	28	27
22	C29	19	13
23	C39	24	13
24			
25	E34	20	5
26			
27			
28			
JACK	PIN	LG	

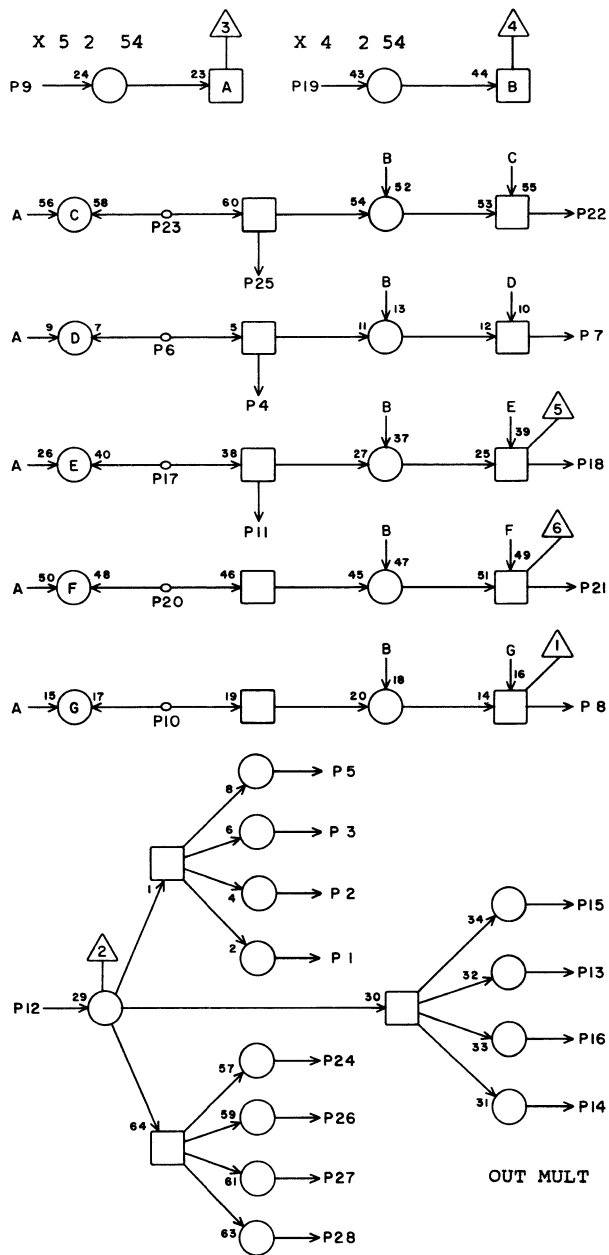
63017200 Rev. E



RJ		8E 34	
1	C09	9	27
2	C10	9	25
3	C11	9	25
4	E33	10	5
5	C12	9	25
6	E37	24	7
7	F10	19	25
8	D30	19	7
9	E21	10	15
10	E33	4	5
11			
12	F05	9	29
13	D09	9	25
14	D10	9	25
15	D11	9	25
16	D12	9	23
17	E33	11	5
18	B10	19	27
19	E27	10	11
20	E33	25	5
21	C30	19	13
22	D10	19	29
23	D41	24	11
24			
25	E33	20	5
26			
27			
28			
JACK	PIN	LG	

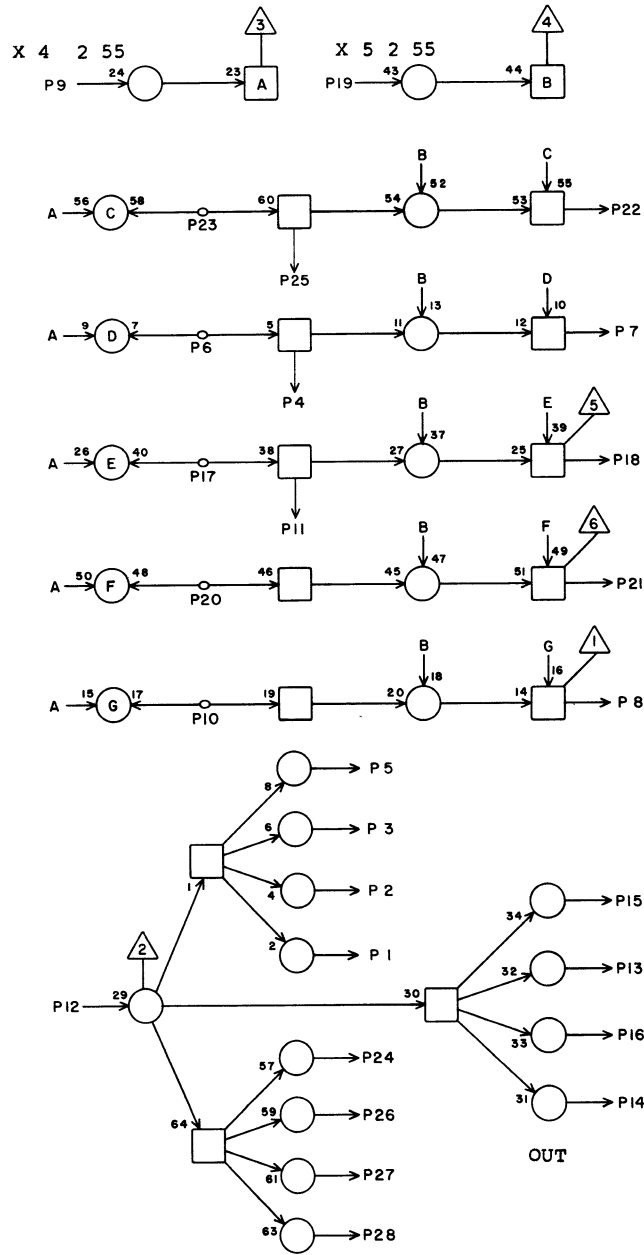
63017200 Rev. E

8E34



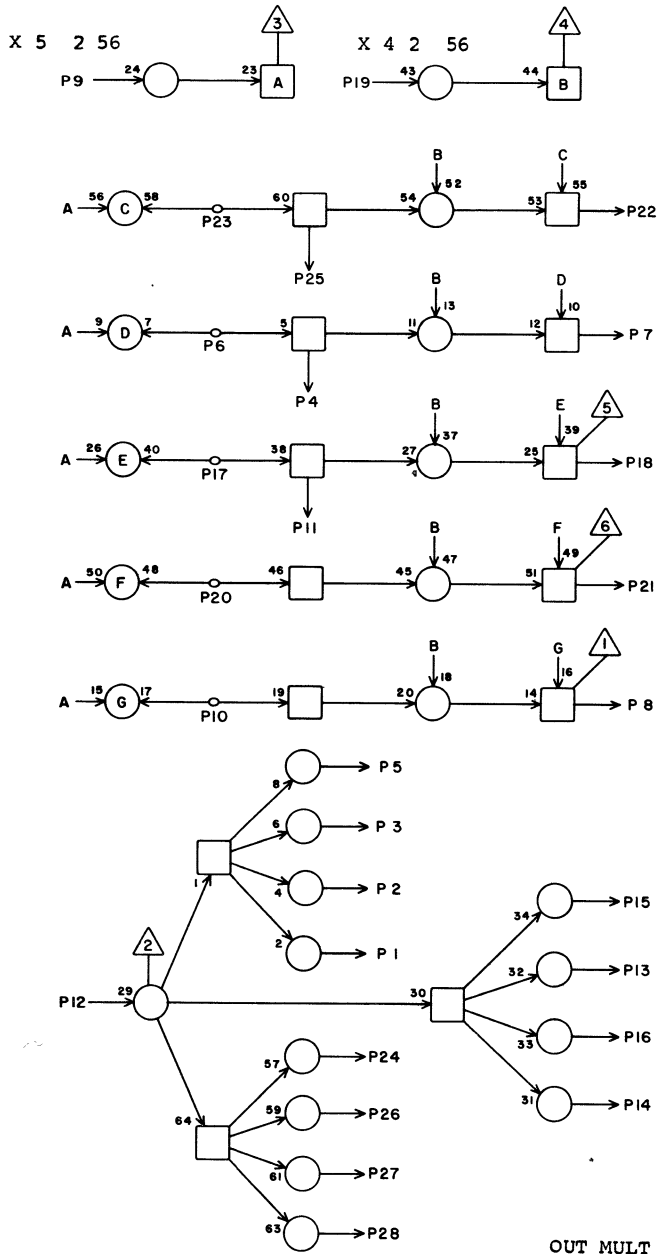
RJ		8E 35	
1	A28	27	17
2	A30	27	17
3	A32	27	17
4	E36	10	5
5	A34	27	17
6	D37	26	7
7	D31	19	7
8	F11	7	25
9	E27	20	11
10	E36	4	5
11	E36	17	5
12	C13	2	25
13	A36	27	17
14	A38	27	17
15	A40	27	19
16	A42	27	19
17	E41	26	9
18	B11	7	31
19	E21	20	17
20	E36	25	5
21	D11	7	25
22	C31	19	13
23	C39	26	13
24	B28	27	17
25	E36	20	5
26	B30	27	15
27	B32	27	15
28	B34	27	15
	JACK	PIN	LG

63017200 Rev. E



RJ		8E 36	
1	B36	27	13
2	B38	27	13
3	B40	27	13
4	E35	10	5
5	B42	27	15
6	E37	26	5
7	F11	28	27
8	D32	19	7
9	E21	19	17
10	E35	4	5
11			
12	C13	4	25
13	C30	27	13
14	C32	27	11
15	C34	27	11
16	C36	27	11
17	E35	11	5
18	B11	28	27
19	E27	19	13
20	E35	25	5
21	C32	19	13
22	D11	28	29
23	D41	26	9
24	C38	6	13
25	E35	20	5
26	C40	6	13
27	C42	6	15
28	D30	27	9
	JACK	PIN	LG

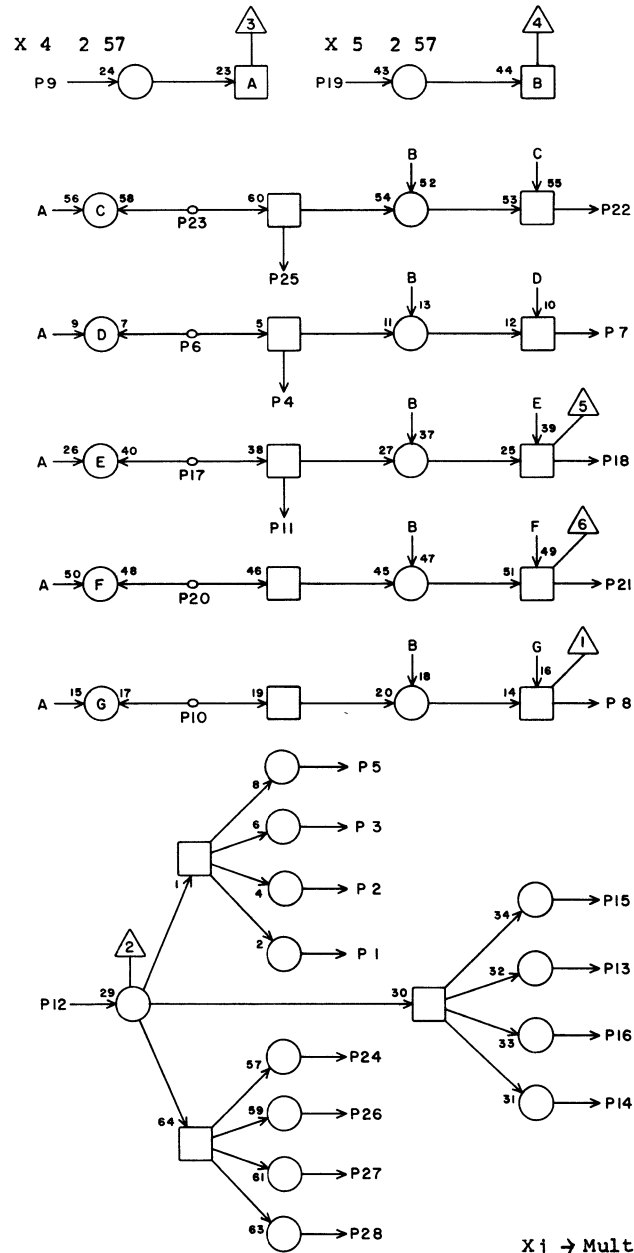
63017200 Rev. E



OUT MULT 2

RJ 8E 37			
JACK	PIN	LG	
1	D32	27	9
2	D34	27	7
3	D36	27	5
4	E38	10	5
5	D38	6	7
6	D37	27	5
7	D33	19	7
8	F11	19	27
9	E28	12	13
10	E38	4	5
11	E38	17	5
12	C13	7	25
13	D40	6	9
14	D42	6	11
15	E30	6	11
16	E32	6	9
17	E41	27	7
18	B11	19	29
19	E22	12	17
20	E38	25	5
21	D11	19	29
22	C33	19	13
23	C39	27	11
24	E34	6	7
25	E38	20	5
26	E36	6	5
27	E38	6	5
28	E40	6	7

63017200 Rev. F

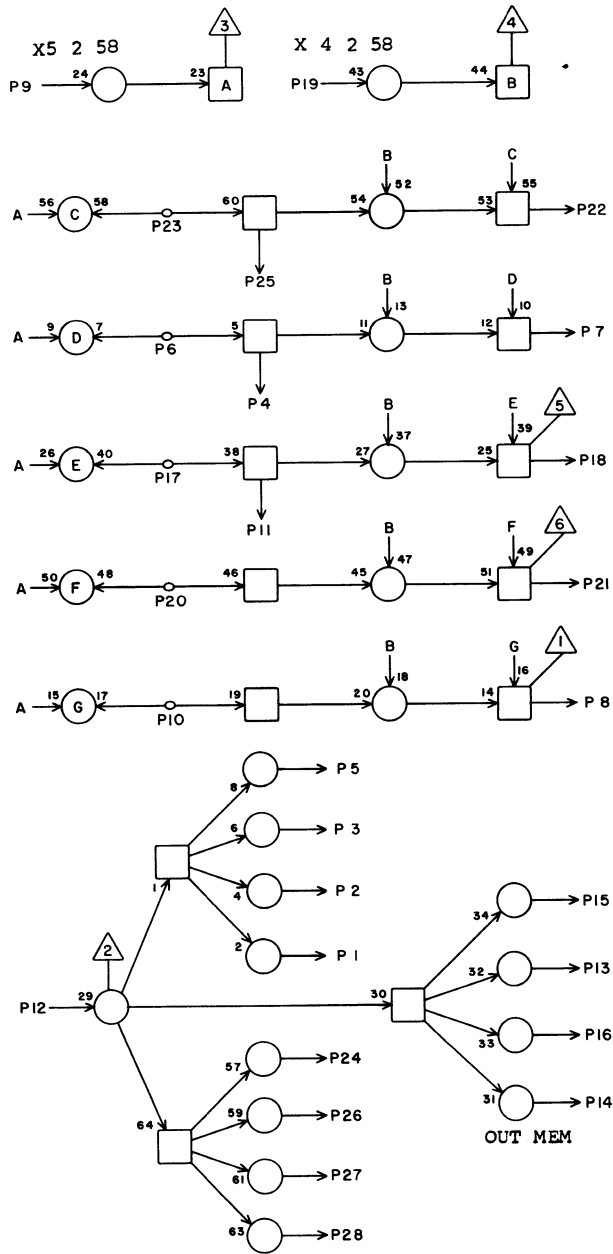


Xj → Mult

8E38

RJ 8E 38			
JACK	PIN	LG	
1	E42	6	7
2	F30	6	13
3	F32	6	11
4	E37	10	5
5	F34	6	9
6	E37	27	5
7	F12	7	27
8	D34	19	7
9	E22	10	17
10	E37	4	5
11			
12	C13	23	29
13	F36	6	7
14	F38	6	7
15	F40	6	7
16	F42	6	9
17	E37	11	5
18	B12	7	29
19	E28	10	13
20	E37	25	5
21	C34	19	13
22	D12	7	27
23	D41	27	7
24	G36	6	11
25	E37	20	5
26	G38	6	9
27	G40	6	9
28	G42	6	11

63017200 Rev. E

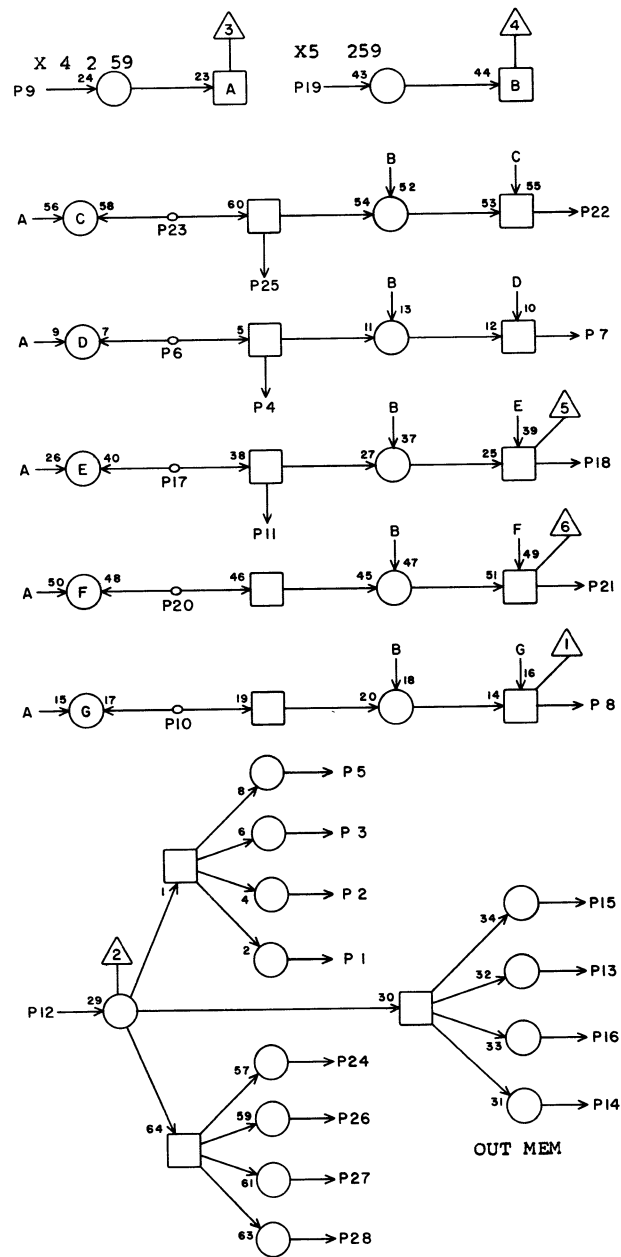


RJ 8E 39

1	A27	2	23
2	A29	2	21
3	A31	2	21
4	E40	10	5
5	A33	2	19
6	D37	28	7
7	D35	19	7
8	F12	28	27
9	E28	20	15
10	E40	4	5
11	E40	17	5
12	B14	2	29
13	A35	2	19
14	A37	2	19
15	A39	2	19
16	A41	2	19
17	E41	28	5
18	B12	28	29
19	E22	20	19
20	E40	25	5
21	D12	28	31
22	C35	19	13
23	C39	28	11
24	B27	2	21
25	E40	20	5
26	B29	2	19
27	B31	2	19
28	B33	2	19

JACK PIN LG

63017200 Rev. E

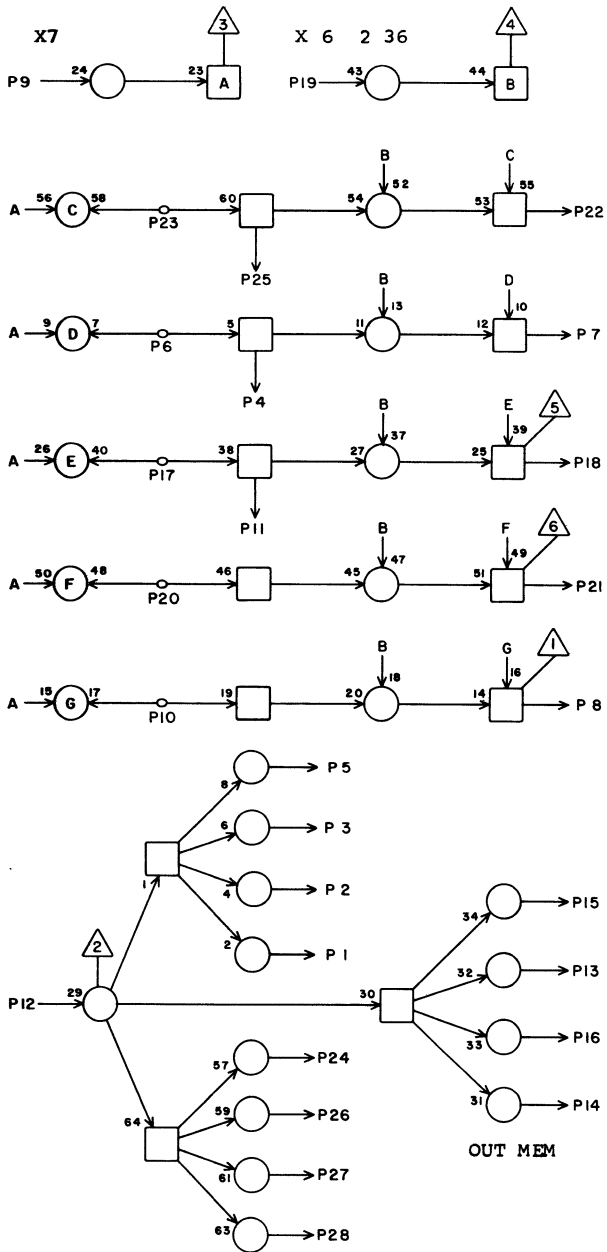


RJ 8E 40

1	E35	2	17
2	B37	2	15
3	B39	2	15
4	E39	10	5
5	B41	2	15
6	E37	28	7
7	F12	19	29
8	D36	19	7
9	E22	19	19
10	E39	4	5
11			
12	B14	4	29
13	C29	2	17
14	C31	2	15
15	C33	2	15
16	C35	2	13
17	E39	11	5
18	B12	19	31
19	E28	19	15
20	E39	25	5
21	C36	19	13
22	D12	19	29
23	D41	28	7
24	C37	17	13
25	E39	20	5
26	C39	17	13
27	C41	17	13
28	D29	2	15

JACK PIN LG

63017200 Rev. E

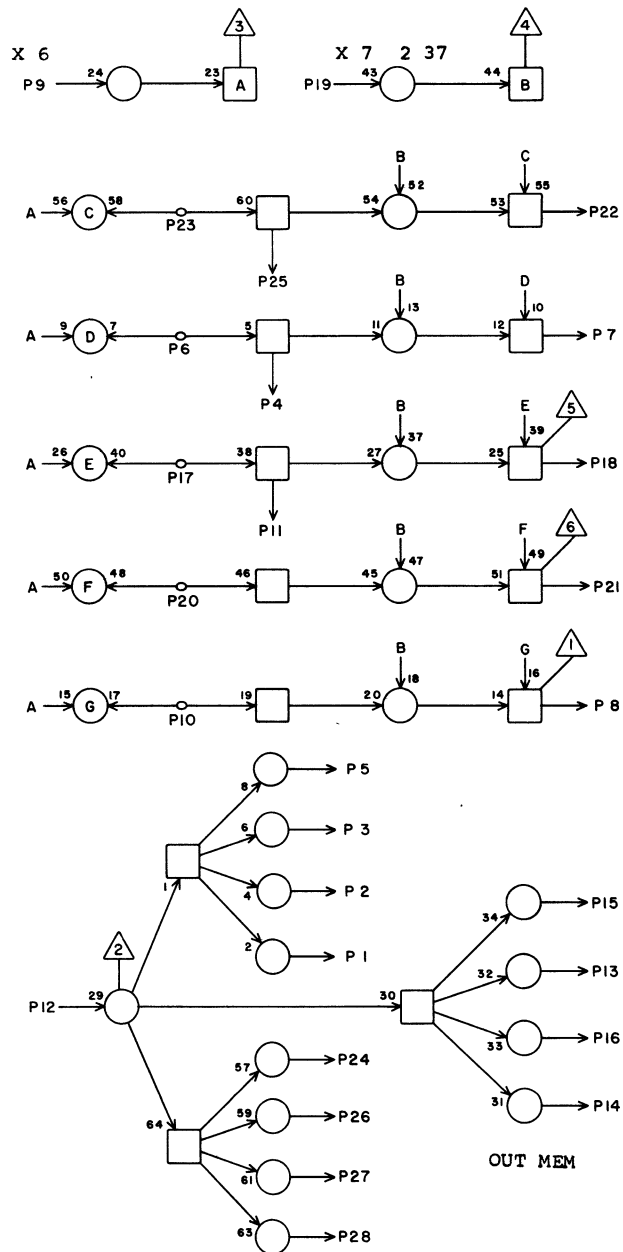


RJ 8E 41

1	D31	2	13
2	D33	2	13
3	D35	2	11
4	E42	10	5
5	D37	17	9
6	D38	1	9
7	B27	9	19
8	E09	8	33
9	F23	12	21
10	E42	4	5
11	E42	17	5
12	B14	7	29
13	D39	17	7
14	D41	17	7
15	E29	17	15
16	E31	17	13
17	E42	1	5
18	A09	8	35
19	F17	12	25
20	E42	25	5
21	C09	8	33
22	A27	9	23
23	C40	1	13
24	E33	17	11
25	E42	20	5
26	E35	17	9
27	E37	17	7
28	E39	17	5

JACK PIN LG

63017200 Rev. E



RJ 8E 42

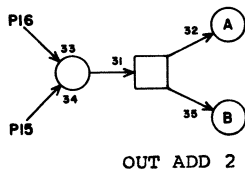
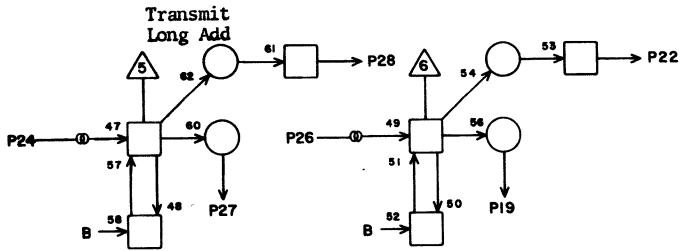
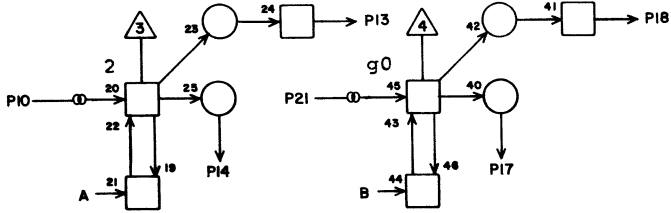
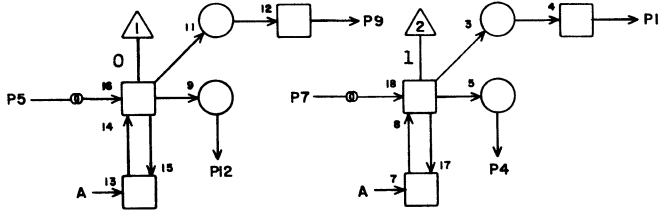
1	E41	17	5
2	F29	17	15
3	F31	17	15
4	E41	10	5
5	F33	17	13
6	E38	1	7
7	E09	24	31
8	B28	9	19
9	F17	10	27
10	E41	4	5
11			
12	B14	23	29
13	F35	17	11
14	F37	17	9
15	F39	17	9
16	F41	17	7
17	E41	11	5
18	A09	24	35
19	F23	10	21
20	E41	25	5
21	A28	9	23
22	C09	24	33
23	D42	1	9
24	G35	17	13
25	E41	20	5
26	G37	17	13
27	G39	17	11
28	G41	17	11

JACK PIN LG

63017200 Rev. F

8E42

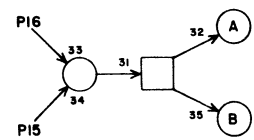
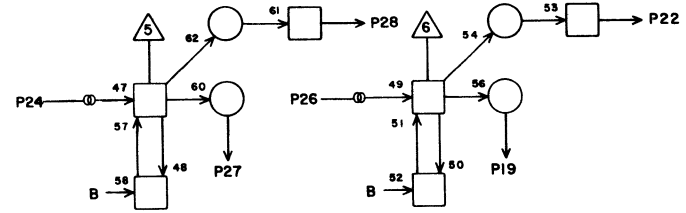
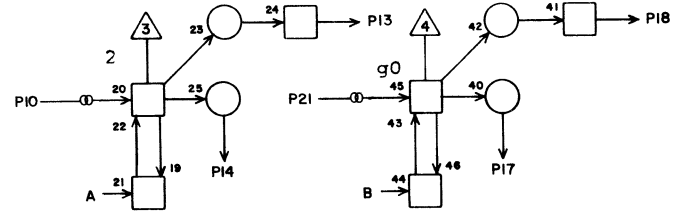
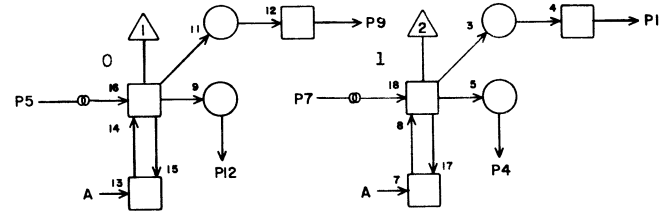
X_k TO ADD TAG



OUT ADD 2

PI			
8F 01			
1	F04	8	7
2			
3			
4			
5	W21	90	
6			
7	W21	91	
8			
9			
10	W21	92	
11			
12	A14	28	25
13	F04	26	7
14			
15	H08	7	96
16	F01	X	2
17			
18	F04	6	7
19			
20			
21	W21	93	
22			
23			
24	W12	901	
25			
26			
27	I25	28	27
28	MO6	16	120
	JACK	PIN	LG

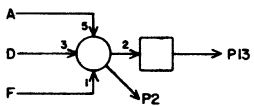
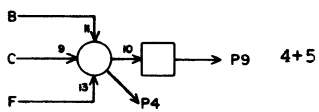
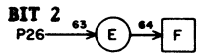
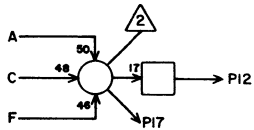
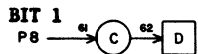
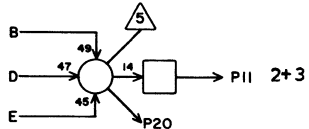
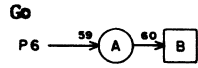
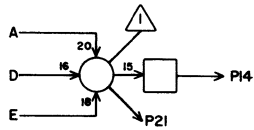
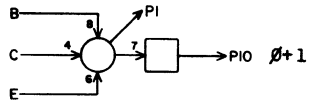
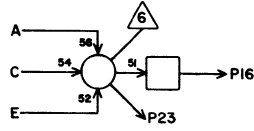
X_k TO MULTIPLY TAG



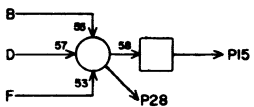
OUT MULT 1

PI			
8F 02			
1	F05	8	7
2			
3			
4			
5	W20	95	
6			
7	W20	96	
8			
9	B13	28	21
10	W20	97	
11			
12			
13	F05	26	7
14			
15	H08	6	13
16	F02	X	2
17			
18	H21	2	25
19			
20			
21	W20	94	
22			
23			
24			
25			
26			
27			
28			
	JACK	PIN	LG

XLATE
X_j TO ADD
TAG



6+7



OUT ADD 1

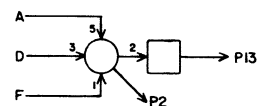
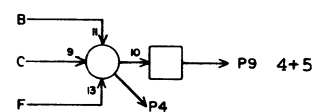
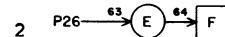
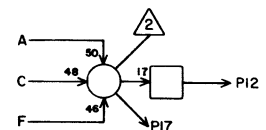
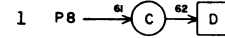
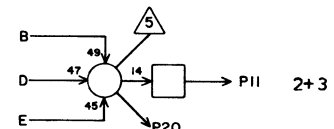
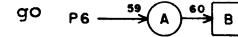
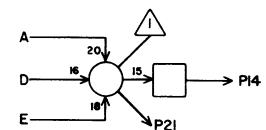
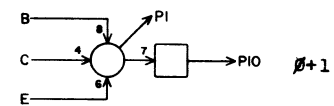
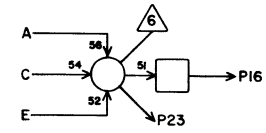
IV 8F 03

1	F36	12	120
2			
3			
4	F40	12	120
5			
6	E01	18	7
7			
8	E01	1	7
9	F07	28	7
10	F07	23	7
11	F07	25	7
12			
13			
14			
15	F07	27	7
16			
17			
18			
19			
20	F38	12	120
21			
22			
23			
24			
25			
26	E01	13	9
27			
28	F42	12	120

JACK PIN LG

63017200 Rev. E

XLATE
X_k TO ADD
TAG



OUT
Add 2

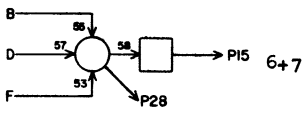
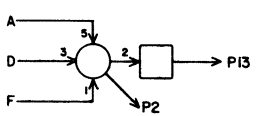
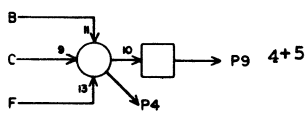
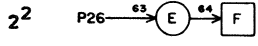
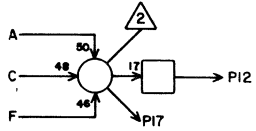
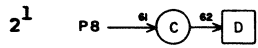
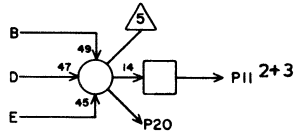
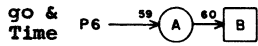
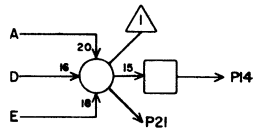
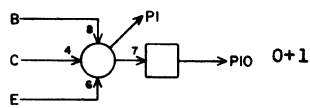
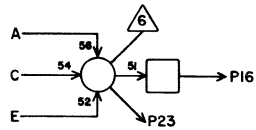
IV 8F 04

1	G36	12	120
2			
3			
4	G40	12	120
5			
6	F01	18	7
7			
8	F01	1	7
9	F07	2	7
10	F07	5	7
11	F07	3	7
12			
13			
14			
15	F07	1	7
16			
17			
18			
19			
20	G38	12	120
21			
22			
23			
24			
25			
26	F01	13	7
27			
28	G42	12	120

JACK PIN LG

63017200 Rev. E

XLATE
X_k TO MULT.
TAG.



X/2 → Mult

IV

8F 05

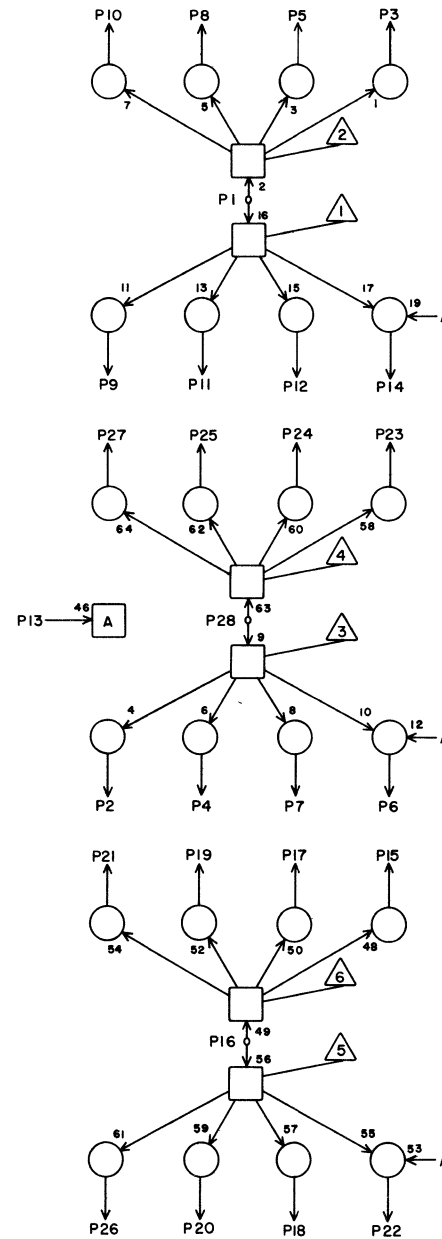
1			
2			
3			
4			
5			
6	H21	5	90
7			
8	F02	1	7
9	E34	12	29
10	F30	12	25
11	F29	12	23
12			
13			
14			
15	E33	12	29
16			
17			
18			
19			
20			
21			
22			
23			
24			
25			
26	F02	13	7
27			
28			

JACK PIN LG

63017200 Rev. N

HF

8F 06

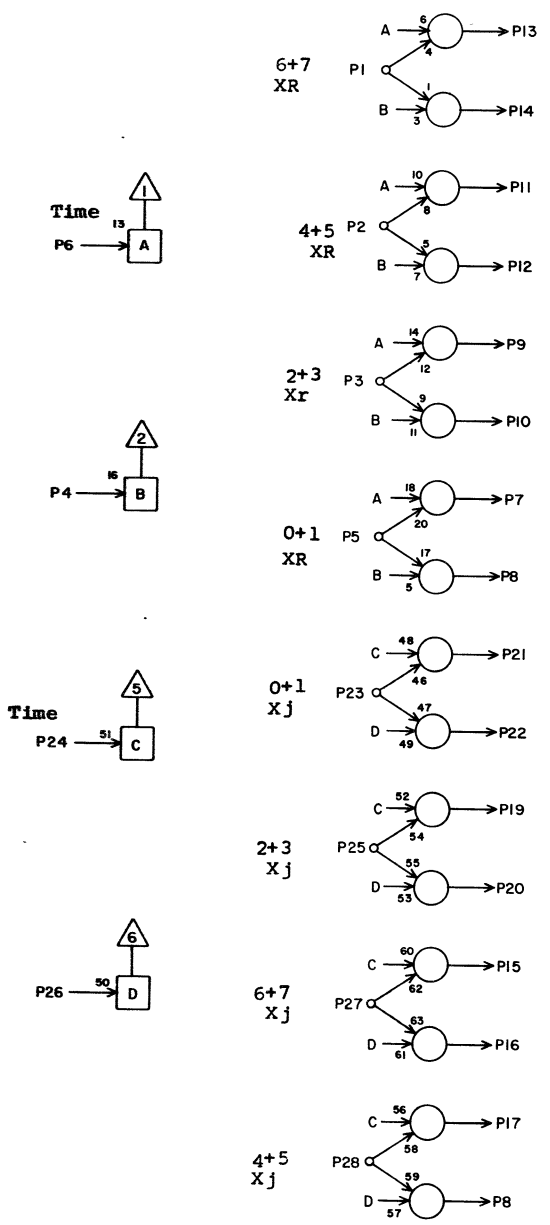


8F06

1	G05	27	11
2	A15	3	23
3	A15	16	23
4	B15	3	21
5	B15	16	19
6			
7	C15	3	17
8	C15	16	17
9	D15	16	15
10			
11	E15	16	13
12	F15	16	11
13			
14			
15	A15	25	23
16	G06	27	9
17	E15	25	13
18	B15	25	21
19	F15	25	13
20	C15	25	15
21	D15	25	15
22			
23	D15	3	15
24	E15	3	13
25	F15	3	11
26			
27			
28	G07	27	7

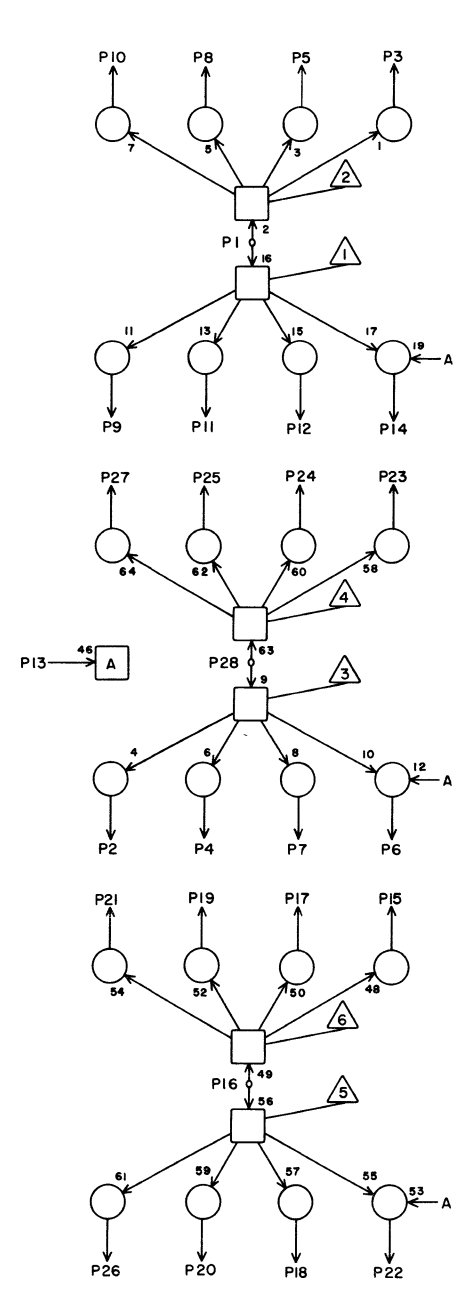
JACK PIN LG

63017200 Rev. E



IH		8F 07	
JACK	PIN	LG	
1	F04	15	7
2	F04	9	7
3	F04	11	7
4			
5	F04	10	7
6	H26	6	21
7	G35	12	27
8			
9	G37	12	29
10			
11	G39	12	31
12			
13	G41	12	33
14			
15	F41	12	33
16			
17	F39	12	33
18			
19	F37	12	29
20			
21	F35	12	29
22			
23	F03	10	7
24	H26	4	21
25	F03	11	7
26			
27	F03	15	7
28	F03	9	7

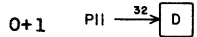
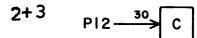
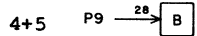
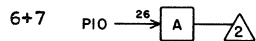
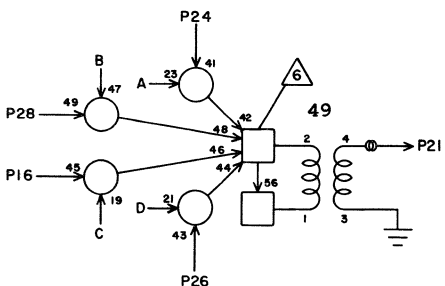
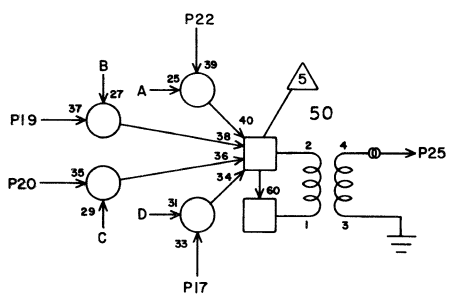
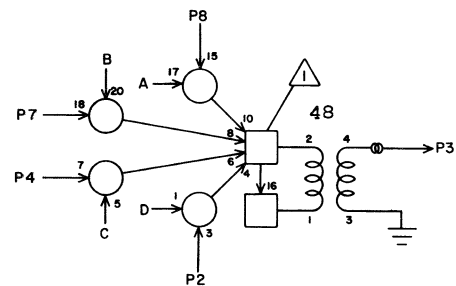
63017200 Rev. E



HF		8F 08	
JACK	PIN	LG	
1	A17	25	23
2	A15	6	25
3	A16	16	23
4	B15	6	21
5	B16	16	19
6			
7	F15	6	11
8	C16	16	17
9	D16	16	13
10			
11	E16	16	11
12	F16	16	11
13			
14			
15	A16	25	23
16	A18	25	25
17	E16	25	13
18	B16	25	19
19	F16	25	11
20	C16	25	17
21	D16	25	13
22			
23	C15	6	17
24	D15	6	15
25	E15	6	13
26			
27			
28	G08	27	7

63017200 Rev. E

MULTIPLY TRUNK (X_j)



RG

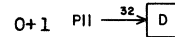
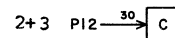
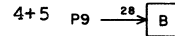
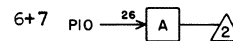
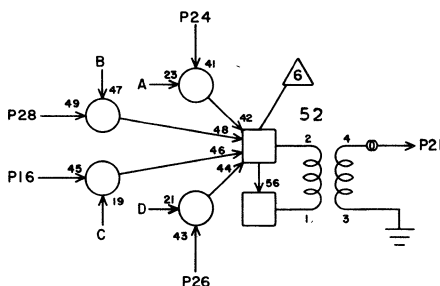
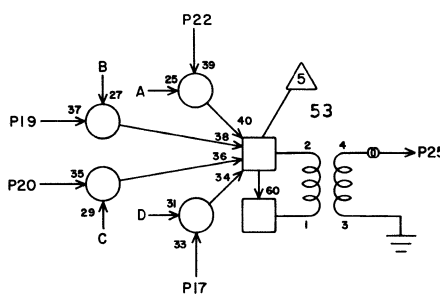
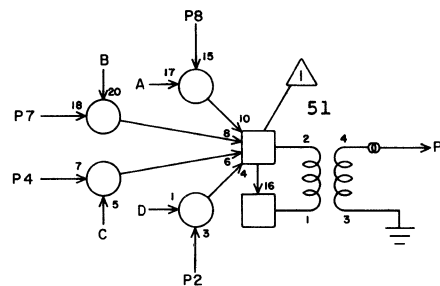
8F 09

1			
2	A39	25	35
3	W19	90	
4	C33	25	27
5			
6			
7	E29	8	21
8	F39	8	29
9	F32	13	23
10	F31	13	23
11	F34	13	25
12	F33	13	25
13			
14			
15			
16	C34	26	27
17	A41	25	37
18			
19	E31	8	23
20	C35	25	29
21	W19	91	
22	F41	8	31
23			
24	F40	7	29
25	W19	92	
26	A40	26	35
27			
28	E30	7	23

JACK PIN LG

63017200 Rev. E

MULTIPLY TRUNK (X_j)



RG

8F 10

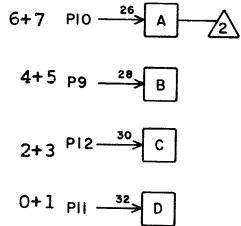
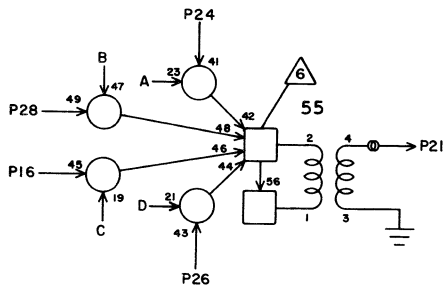
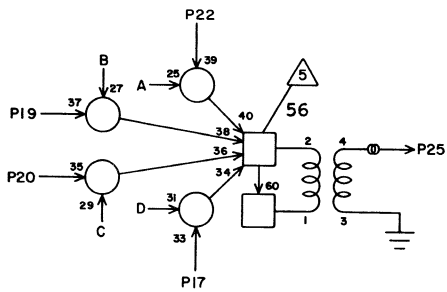
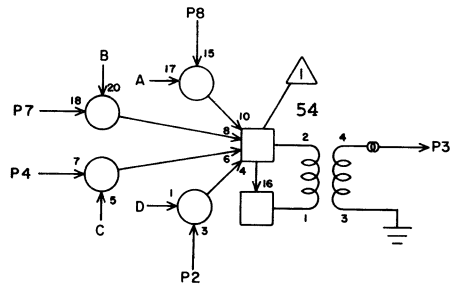
1			
2	A42	26	35
3	W19	93	
4	C36	26	27
5			
6			
7	E32	7	23
8	F42	7	31
9	F32	14	23
10	F31	14	23
11	F34	14	25
12	F33	14	23
13			
14			
15			
16	C37	8	29
17	B28	26	25
18			
19	E34	7	25
20	C38	7	31
21	W19	94	
22	G36	7	27
23			
24	G35	8	29
25	W19	95	
26	B27	25	25
27			
28	E33	8	25

JACK PIN LG

63017200 Rev. E

8F10

MULTIPLY TRUNK (X_j)



RG

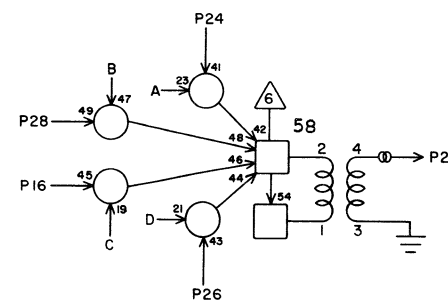
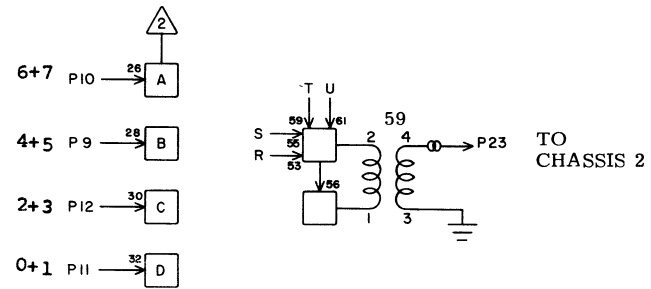
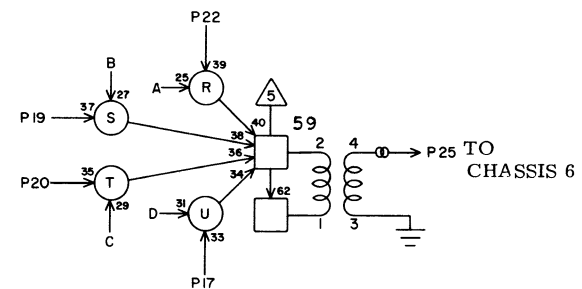
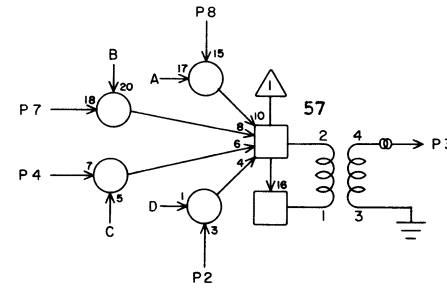
8F 11

1			
2	B29	25	25
3	W19	96	
4	C39	8	29
5			
6			
7	E35	8	25
8	G37	8	27
9	F32	15	23
10	F31	15	21
11	F34	15	23
12	F33	15	23
13			
14			
15			
16	C40	7	33
17	B31	25	27
18			
19	E37	8	27
20	C41	8	33
21	W19	97	
22	G39	8	29
23			
24	G38	7	27
25	W19	98	
26	B30	26	25
27			
28	B36	7	27

JACK PIN LG

63017200 Rev. E

MULTIPLY TRUNK (X_j)



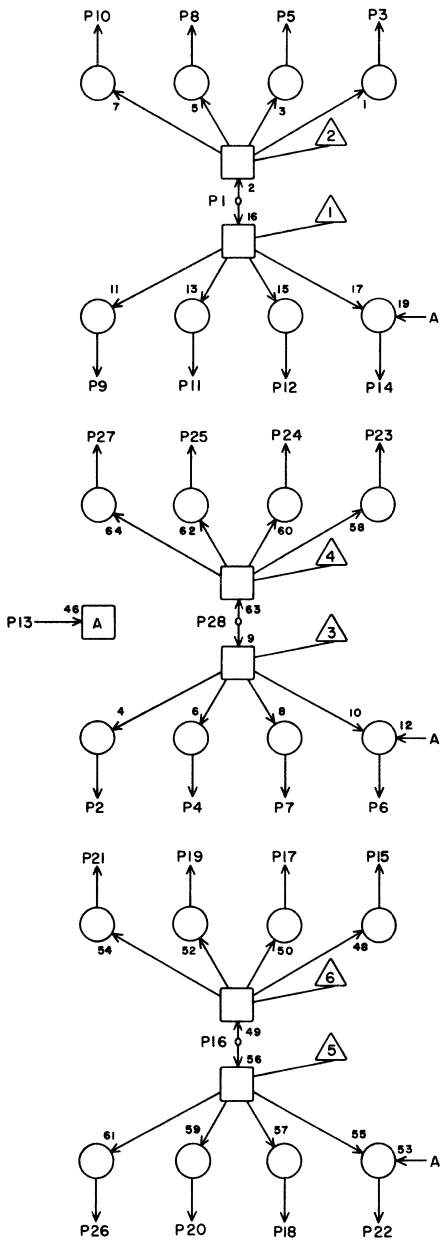
RN

8F 12

1			
2	B32	26	25
3	W19	99	
4	C42	7	33
5			
6			
7	E38	7	27
8	G40	7	29
9	F32	16	21
10	F31	16	21
11	F34	16	23
12	F33	16	23
13			
14			
15			
16	D29	25	21
17	B34	26	27
18			
19	E40	7	29
20	D30	26	21
21	W19	900	
22	G42	7	29
23	W19	901	
24	G41	8	29
25	W09	902	
26	B33	25	27
27			
28	E39	8	27

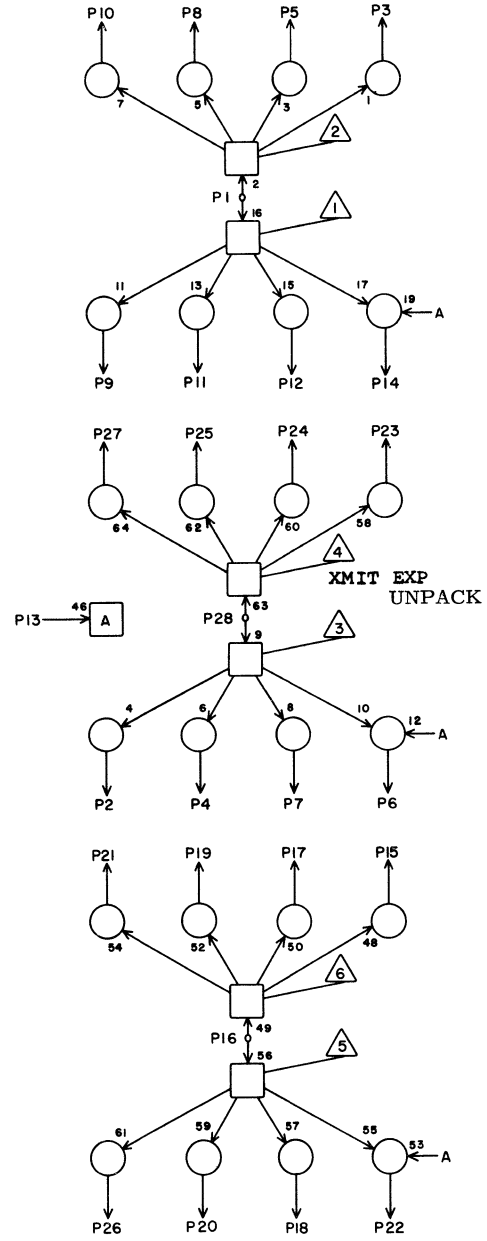
JACK PIN LG

63017200 Rev. E



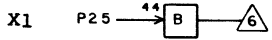
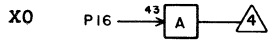
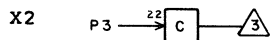
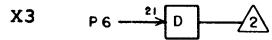
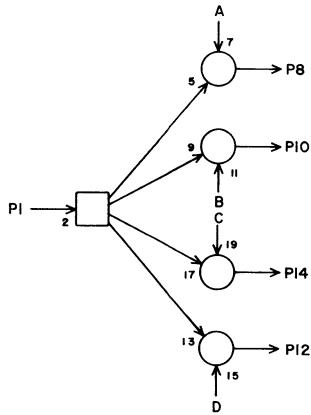
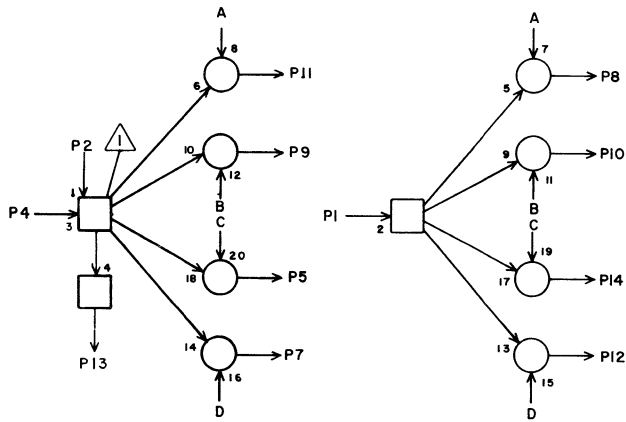
HF		8F13	
JACK	PIN	LG	
1	A17	26	21
2			
3	D02	16	15
4			
5	D04	16	15
6	H16	27	15
7	O32	7	45
8	D06	16	13
9	D08	16	13
10			
11	E03	16	13
12	E05	16	13
13	L42	11	35
14			
15	D02	25	15
16	A18	26	23
17	E03	25	17
18	D04	25	15
19	E05	25	11
20	D06	25	13
21	D08	25	13
22			
23			
24			
25			
26			
27			
28	K42	18	35

63017200 Rev. AB

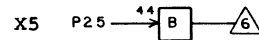
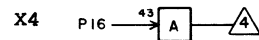
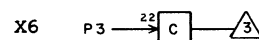
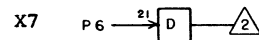
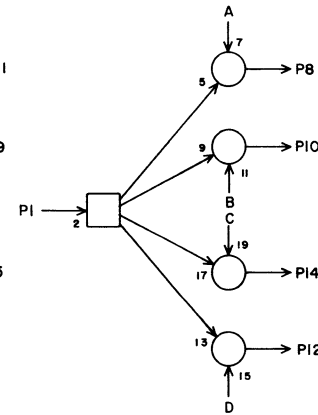
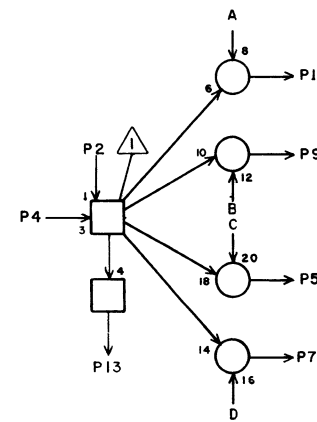
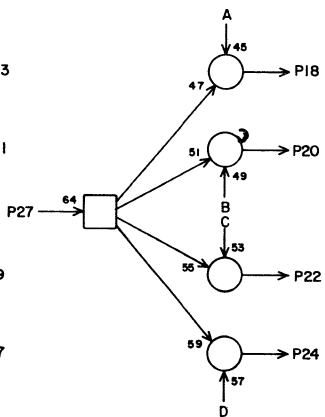
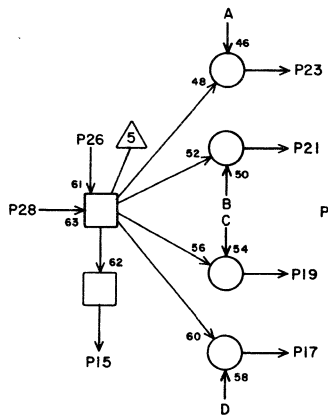


HF		8F14	
JACK	PIN	LG	
1	B17	26	17
2	H03	9	17
3	D02	3	17
4	H04	9	15
5	D04	3	15
6			
7	H05	9	15
8	D06	3	15
9	D08	3	13
10			
11	E03	3	15
12	E05	3	13
13			
14			
15	D02	6	17
16	B18	26	19
17	E03	6	15
18	D04	6	15
19	E05	6	13
20	D06	6	15
21	D08	6	15
22			
23	H17	21	13
24	H18	21	13
25			
26			
27			
28	G33	20	21

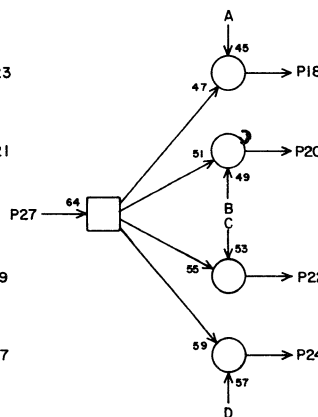
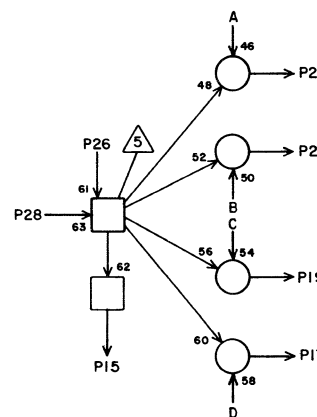
63017200 Rev. K



Incr (Mem) TO X
20-23



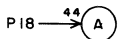
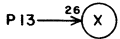
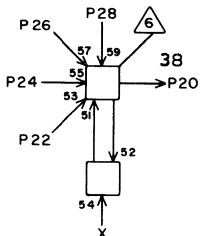
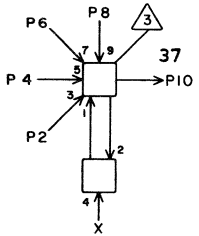
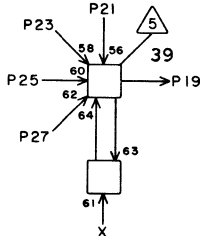
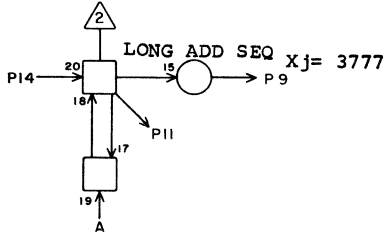
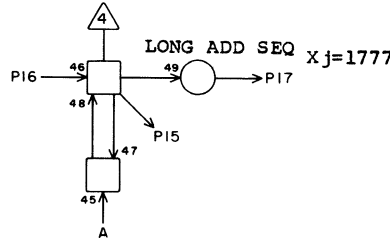
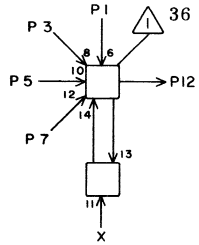
Incr (MEM) TO X
20-23



RC		8F 15	
1	F16	13	5
2	B03	13	21
3	F06	25	11
4	E07	18	13
5	D22	9	13
6	F08	7	11
7	D28	9	19
8	C22	24	15
9	C28	9	19
10	C28	24	19
11	C22	9	17
12	D28	24	19
13	F16	1	5
14	D22	24	13
15	F16	27	5
16	F06	12	11
17	D28	15	19
18	C22	23	17
19	D22	15	15
20	C28	23	19
21	C28	15	19
22	D22	23	13
23	C22	15	17
24	D28	23	19
25	F06	19	13
26	B03	23	23
27	F16	15	5
28	E07	20	13
	JACK	PIN	LG

RC		8F 16	
1	F15	13	5
2	B03	8	23
3	E08	12	13
4	E07	22	13
5	F22	24	9
6	E08	19	13
7	F28	24	15
8	E22	5	11
9	E28	24	15
10	E28	5	15
11	E22	24	9
12	F28	5	15
13	F15	1	5
14	F22	5	9
15	F15	27	5
16	F08	12	11
17	F28	23	15
18	E22	6	11
19	F22	23	9
20	E28	6	15
21	E28	23	15
22	F22	6	9
23	E22	23	11
24	F28	6	15
25	F08	19	11
26	B03	18	23
27	F15	15	5
28	E07	24	15
	JACK	PIN	LG

OPERATING REG. X 6

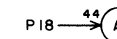
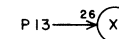
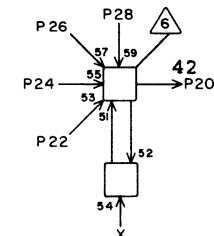
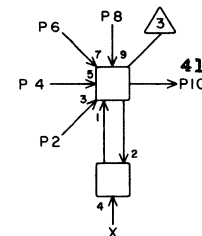
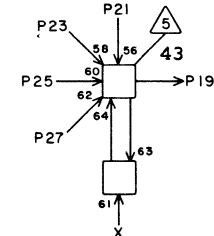
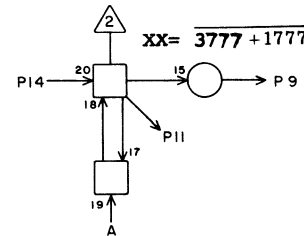
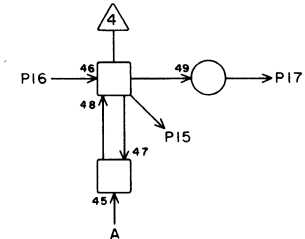
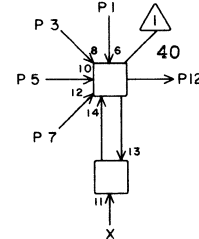


RP 8F 17

1	B06	14	21
2	B06	22	21
3	D02	14	19
4	D02	22	19
5	A16	14	23
6	A16	22	23
7	F17	X	2
8	F17	X	2
9			
10	E42	9	27
11	H06	7	17
12	E41	19	25
13	G24	2	11
14	G17	11	9
15	H06	5	15
16	G17	9	9
17			
18	I26	19	17
19	F30	9	15
20	F29	19	15
21	D02	19	19
22	D02	7	19
23	A16	19	23
24	A16	5	23
25	F17	X	2
26	B06	7	21
27	B06	19	21
28	F17	X	2

JACK PIN LG

OPERATING REG. X 6

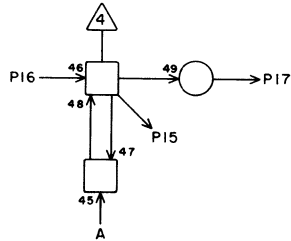
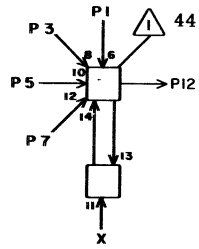


RP 8F 18

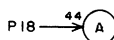
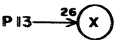
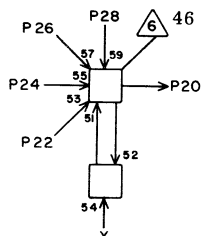
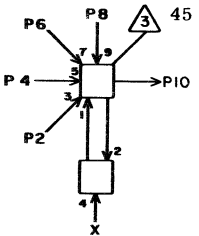
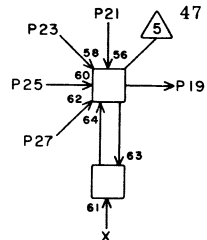
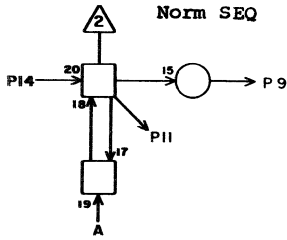
1	B08	14	21
2	B08	22	21
3	D04	14	19
4	D04	22	19
5	B16	14	19
6	B16	22	19
7	F18	X	2
8	F18	X	2
9	C24	5	19
10	F32	9	17
11			
12	F31	19	15
13	G24	4	9
14	G17	10	9
15			
16			
17			
18	M18	12	31
19	F34	9	17
20	F33	19	17
21	D04	19	17
22	D04	7	17
23	B16	19	19
24	B16	5	19
25	F18	X	2
26	B08	7	21
27	B08	19	21
28	F18	X	2

JACK PIN LG

OPERATING REG. X6



SHIFT
Norm SEQ



RP

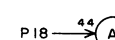
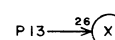
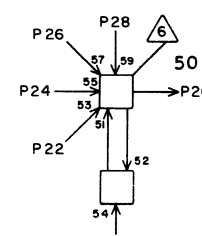
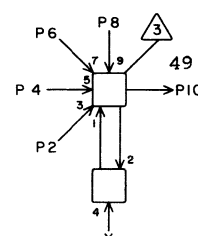
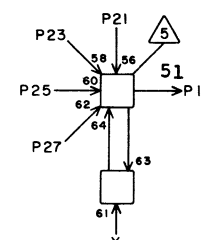
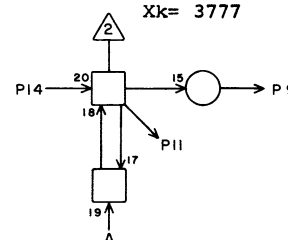
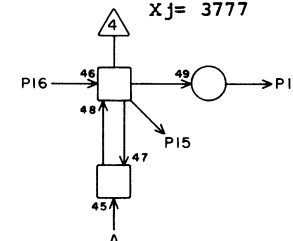
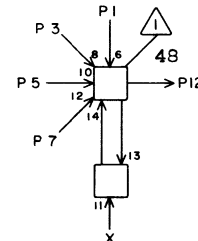
8F 19

1	C02	14	23
2	C02	22	23
3	D06	14	17
4	D06	22	17
5	C16	14	15
6	C16	22	15
7	F19	X	2
8	F19	X	2
9			
10	F36	9	19
11	O31	21	39
12	F35	19	17
13	G24	6	9
14	B23	23	19
15	H09	6	15
16	J23	3	19
17			
18	I23	11	17
19	F38	9	21
20	F37	19	19
21	D06	19	17
22	D06	7	17
23	C16	19	15
24	C16	5	15
25	F19	X	2
26	C02	7	23
27	C02	19	21
28	F19	X	2

JACK PIN LG

63017200 Rev. E

OPERATING REG. X6



RP

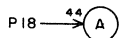
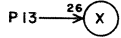
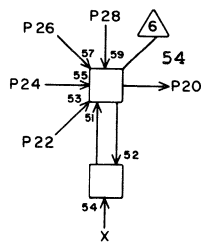
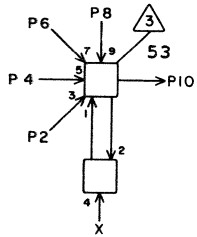
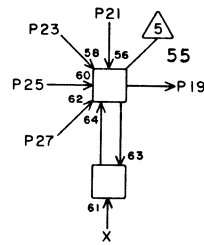
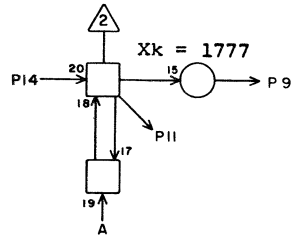
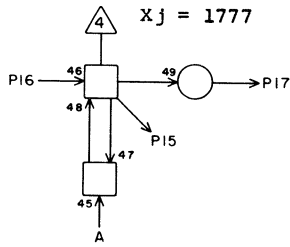
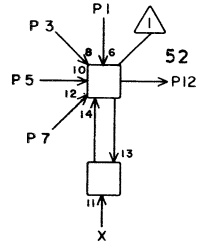
8F 20

1	C04	14	23
2	C04	22	21
3	D08	14	17
4	D08	22	17
5	D16	14	13
6	D16	22	13
7	F20	X	2
8	F20	X	2
9	H24	24	13
10	F40	9	21
11	L40	1	29
12	F39	19	21
13	G24	9	9
14	G18	9	9
15	H22	1	9
16	I25	10	15
17	H24	26	13
18	C28	2	23
19	F42	9	23
20	F41	19	23
21	D08	19	15
22	D08	7	17
23	D16	19	13
24	D16	5	13
25	F20	X	2
26	C04	7	21
27	C04	19	21
28	F20	X	2

JACK PIN LG

63017200 Rev. AB

OPERATING REG. X6



RP

8F 21

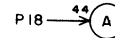
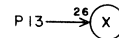
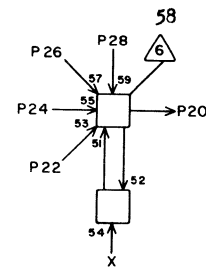
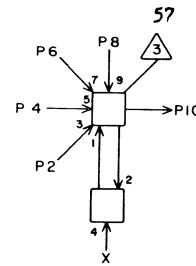
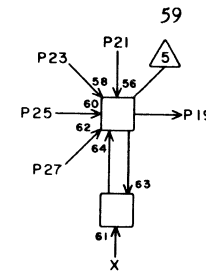
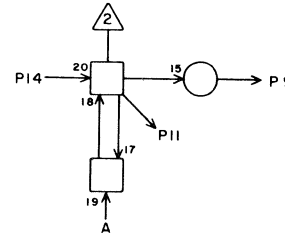
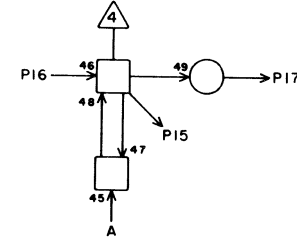
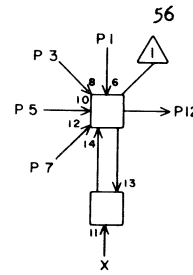
1	C06	14	21
2	C06	22	21
3	E03	14	19
4	E03	22	19
5	E16	14	11
6	E16	22	9
7	F21	X	2
8	F21	X	2
9	O32	17	37
10	G36	9	17
11	A22	17	23
12	G35	19	17
13	G24	11	7
14	P22	23	39
15	A22	20	23
16	Q20	23	43
17	O32	19	37
18	C28	4	23
19	G38	9	19
20	G37	19	19
21	E03	19	19
22	E03	7	19
23	E16	19	9
24	E16	5	9
25	F21	X	2
26	C06	7	21
27	C06	19	19
28	F21	X	2

JACK PIN LG

63017200 Rev. P

LS 63066000
ASSY

REV



RP

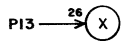
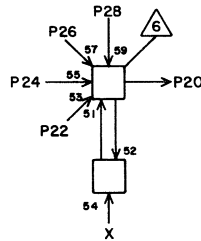
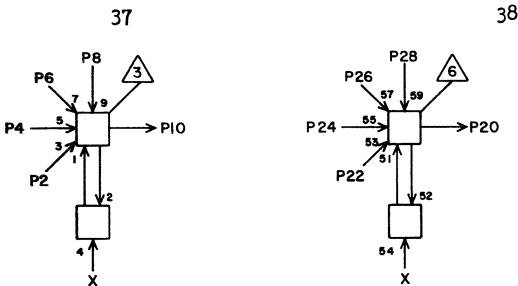
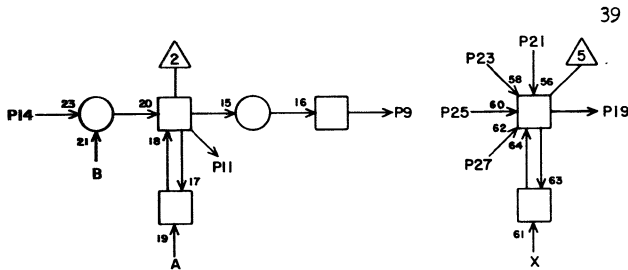
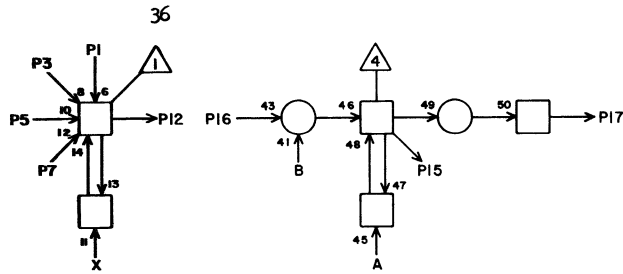
8F22

1	C08	14	21
2	C08	22	19
3	E05	14	19
4	E05	22	19
5	F16	14	9
6	F16	22	9
7	F22	X	2
8	F22	X	2
9	N30	19	35
10	G40	9	19
11			
12	G39	19	17
13	G24	13	7
14	A23	28	19
15			
16	A23	25	21
17	O22	19	35
18	C23	8	15
19	G42	9	21
20	G41	19	21
21	E05	19	19
22	E05	7	19
23	F16	19	9
24	F16	5	9
25	F22	X	2
26	C08	7	19
27	C08	19	19
28	F22	X	2

JACK PIN LG

63017200 Rev. AD

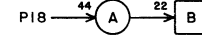
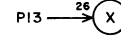
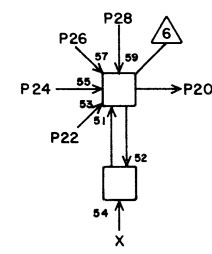
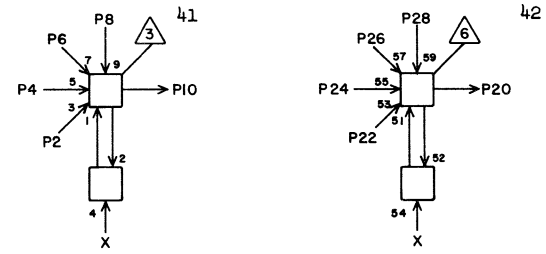
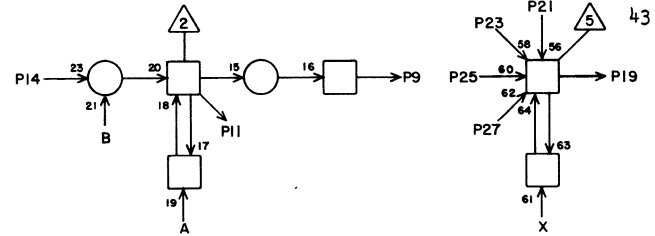
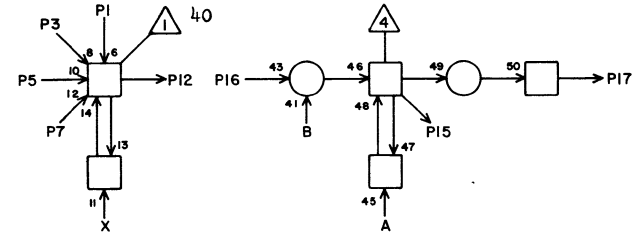
OPERATING REG. X7



RK		8F23	
1	B06	12	25
2	B06	24	25
3	D02	12	23
4	D02	24	23
5	A16	12	25
6	A16	24	23
7	F23	X	2
8	F23	X	2
9			
10	E42	19	21
11			
12	E41	9	21
13	G24	16	7
14			
15			
16			
17			
18			
19	F30	19	11
20	F29	9	9
21	D02	17	23
22	D02	9	23
23	A16	17	23
24	A16	7	23
25	F23	X	2
26	B06	9	25
27	B06	17	23
28	F23	X	2

JACK PIN LG

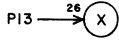
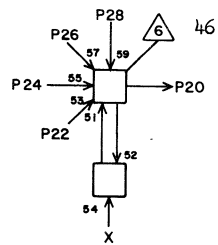
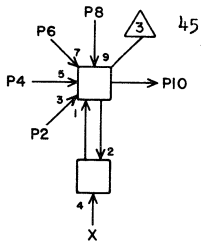
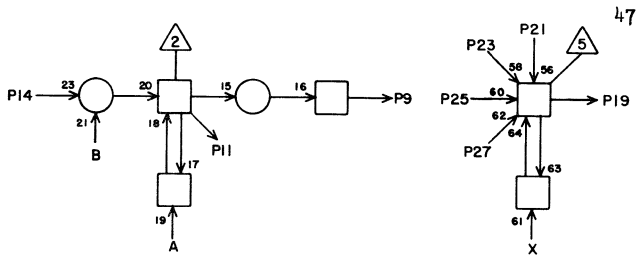
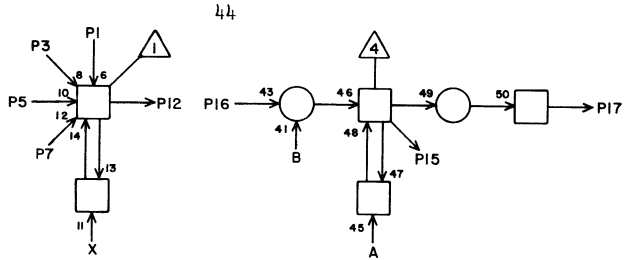
OPERATING REG. X7



RK		8F24	
1	B08	12	25
2	B08	24	23
3	D04	12	23
4	D04	24	23
5	B16	12	21
6	B16	24	19
7	F24	X	2
8	F24	X	2
9			
10	F32	19	11
11			
12	F31	9	11
13	G24	18	7
14			
15			
16			
17			
18			
19	F34	19	13
20	F33	9	13
21	D04	17	23
22	D04	9	23
23	B16	17	19
24	B16	7	21
25	F24	X	2
26	B08	9	23
27	B08	17	23
28	F24	X	2

JACK PIN LG

OPERATING REG. X7



RK

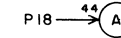
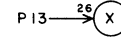
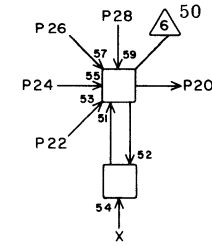
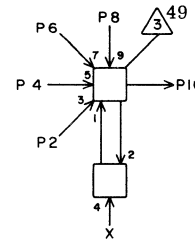
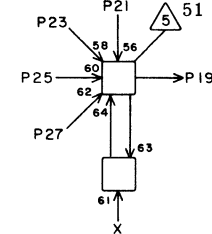
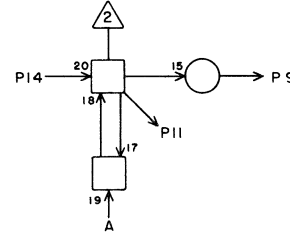
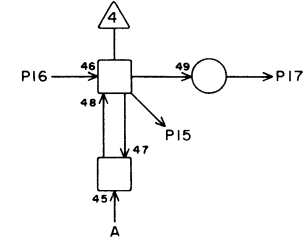
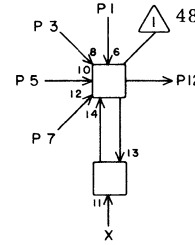
8F25

1	C02	12	27
2	C02	24	27
3	D06	12	23
4	D06	24	23
5	C16	12	17
6	C16	24	17
7	F25	X	2
8	F25	X	2
9			
10	F36	19	15
11	K42	5	27
12	F35	9	13
13	G24	20	7
14	J19	16	19
15	L29	27	27
16	L40	21	31
17			
18	H09	13	19
19	F38	19	15
20	F37	9	15
21	D06	17	21
22	D06	9	21
23	C16	17	17
24	C16	7	17
25	F25	X	2
26	C02	9	27
27	C02	17	25
28	F25	X	2

JACK PIN LG

63017200 Rev AB

OPERATING REG. X7



RP

8F26

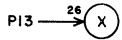
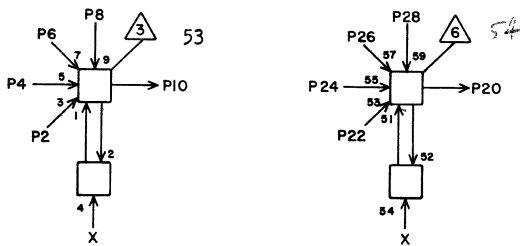
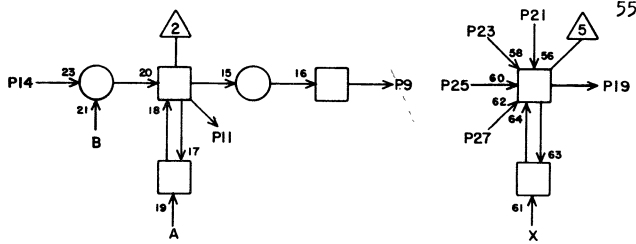
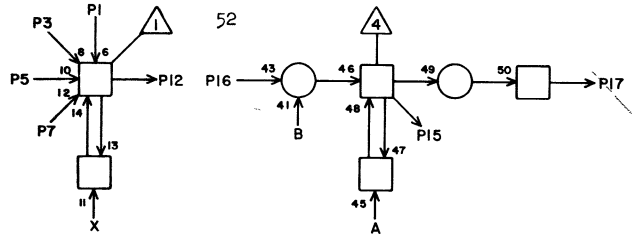
1	C04	12	25
2	C04	24	25
3	D08	12	21
4	D08	24	21
5	D16	12	15
6	D16	24	15
7	F26	X	2
8	F26	X	2
9	K41	19	27
10	F40	19	17
11	F39	9	15
12	F39	9	15
13	G24	22	9
14	R24	23	47
15	O24	21	37
16	D19	10	13
17	I24	17	15
18	C28	6	17
19	F42	19	17
20	F41	9	17
21	D08	17	21
22	D08	9	21
23	D16	17	15
24	D16	7	15
25	F26	X	2
26	C04	9	25
27	C04	17	25
28	F26	X	2

JACK PIN LG

63017200 Rev. J

8F26

OPERATING REG. X7



RK

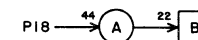
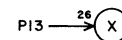
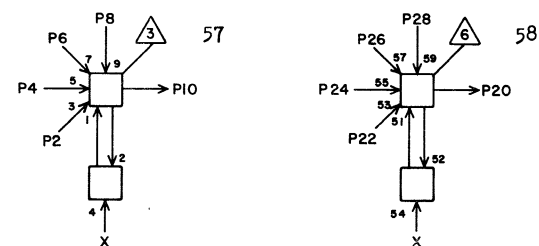
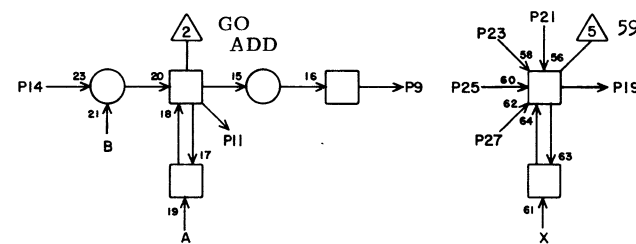
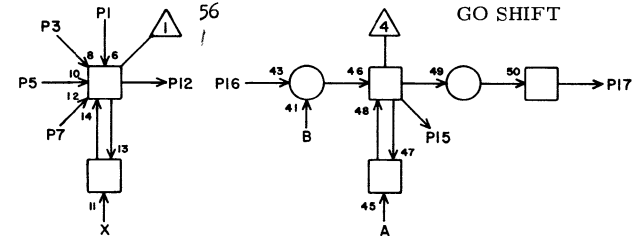
8F27

1	C06	12	25
2	C06	24	25
3	E03	12	25
4	E03	24	25
5	E16	12	15
6	E16	24	15
7	F27	X	2
8	F27	X	2
9			
10	G36	19	13
11			
12	G35	9	13
13	G24	17	9
14	J23	19	19
15			
16			
17			
18	H25	25	13
19	G38	19	15
20	G37	9	13
21	E03	17	25
22	E03	9	25
23	E16	17	15
24	E16	7	15
25	F27	X	2
26	C06	9	25
27	C06	17	25
28	F27	X	2

JACK PIN LG

63017200 Rev. E

OPERATING REG. X7



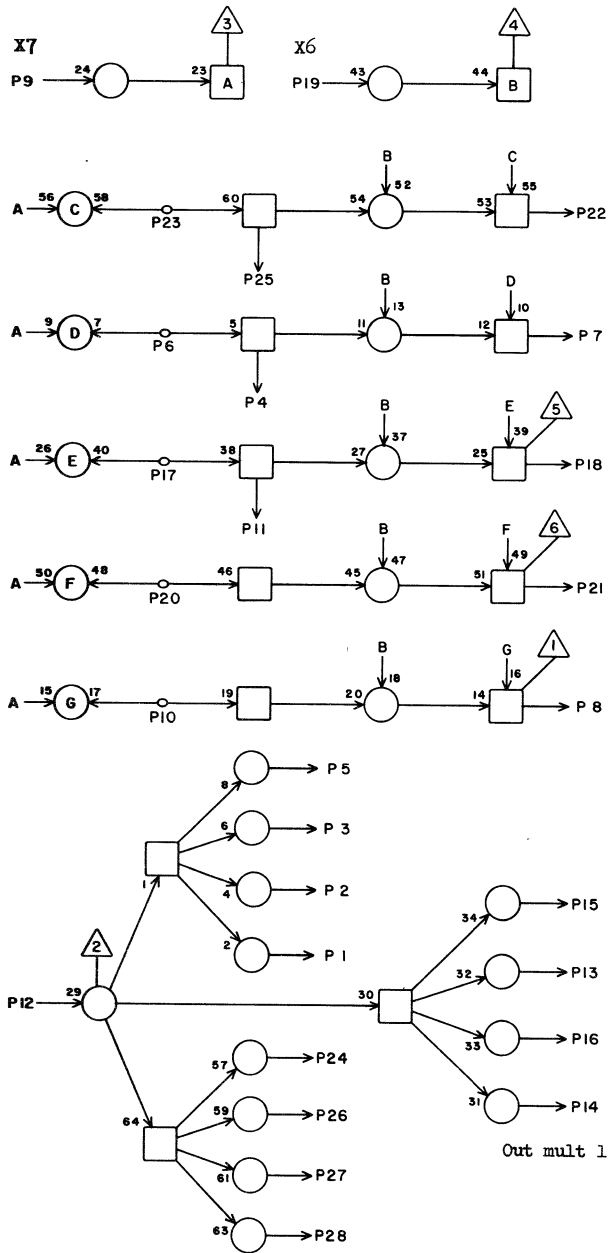
RK

8F28

1	C08	12	25
2	C08	24	25
3	E05	12	25
4	E05	24	25
5	F16	12	15
6	F16	24	15
7	F28	X	2
8	F28	X	2
9	H20	3	15
10	G40	19	15
11	M29	21	29
12	G39	9	15
13	G24	19	9
14	H01	13	27
15	J03	17	29
16	H01	22	29
17	I23	3	15
18	H10	23	21
19	G42	19	17
20	G41	9	15
21	E05	17	23
22	E05	9	23
23	F16	17	15
24	F16	7	15
25	F28	X	2
26	C08	9	23
27	C08	17	23
28	F28	X	2

JACK PIN LG

63017200 Rev. AD



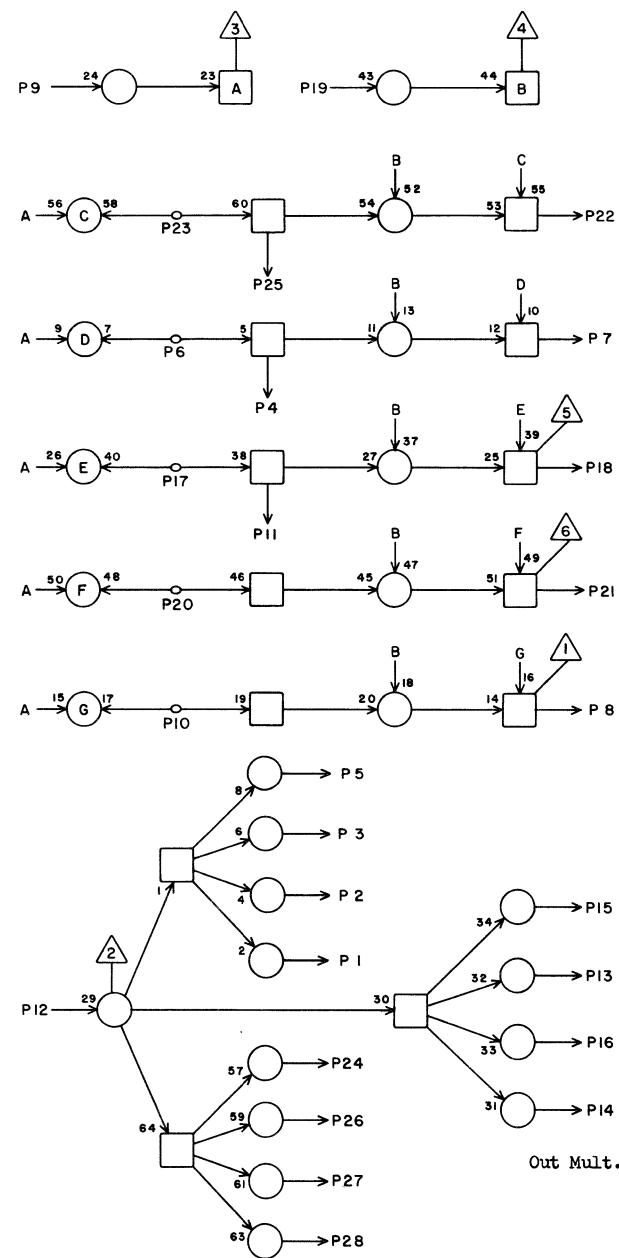
RJ

8F29

1	C09	12	25
2	C10	12	23
3	C11	12	23
4	F30	10	5
5	C12	12	23
6	D38	2	15
7	B29	9	19
8	E09	22	23
9	F23	20	9
10	F30	4	5
11	F30	17	5
12	F05	11	23
13	D09	12	23
14	D10	12	23
15	D11	12	21
16	D12	12	21
17	E42	2	15
18	A09	22	29
19	F17	20	15
20	F30	25	5
21	C09	22	23
22	A29	9	23
23	C40	2	19
24			
25	F30	20	5
26			
27			
28			

JACK PIN LG

63017200 Rev. E



RJ

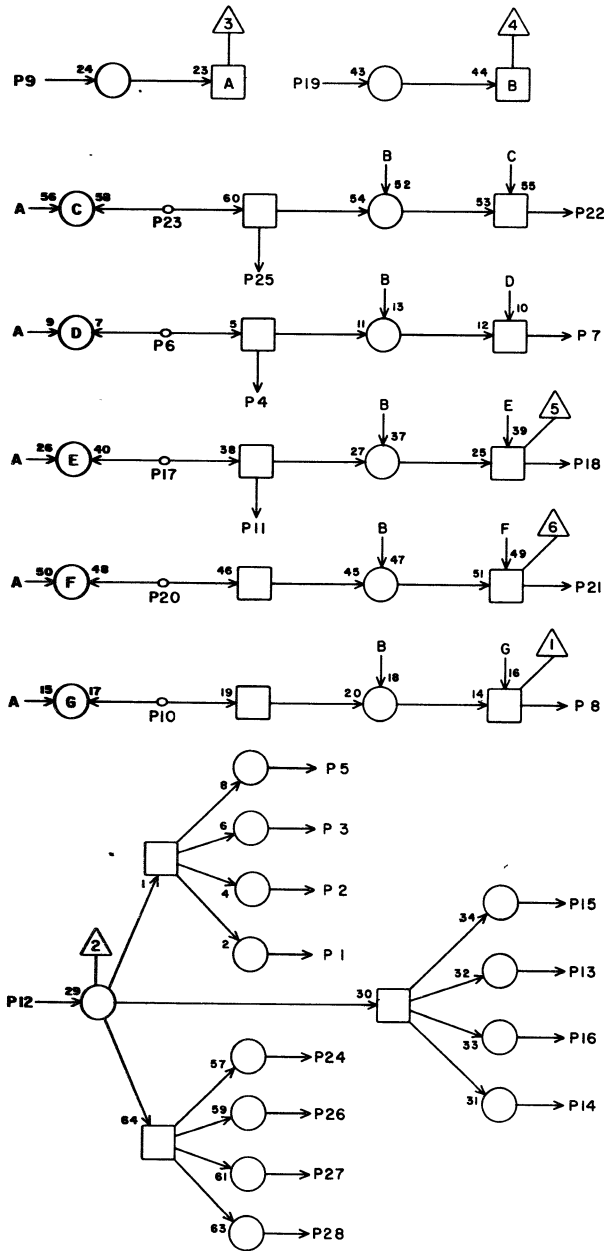
8F30

1	C09	11	25
2	C10	11	23
3	C11	11	23
4	F29	10	5
5	C12	11	23
6	E38	2	13
7	E10	8	21
8	B30	9	19
9	F17	19	15
10	F29	4	5
11			
12	F05	10	25
13	D09	11	23
14	D10	11	23
15	D11	11	23
16	D12	11	21
17	F29	11	5
18	A10	8	31
19	F23	19	11
20	F29	25	5
21	A30	9	23
22	C10	8	25
23	D42	2	17
24			
25	F29	20	5
26			
27			
28			

JACK PIN LG

63017200 Rev. E

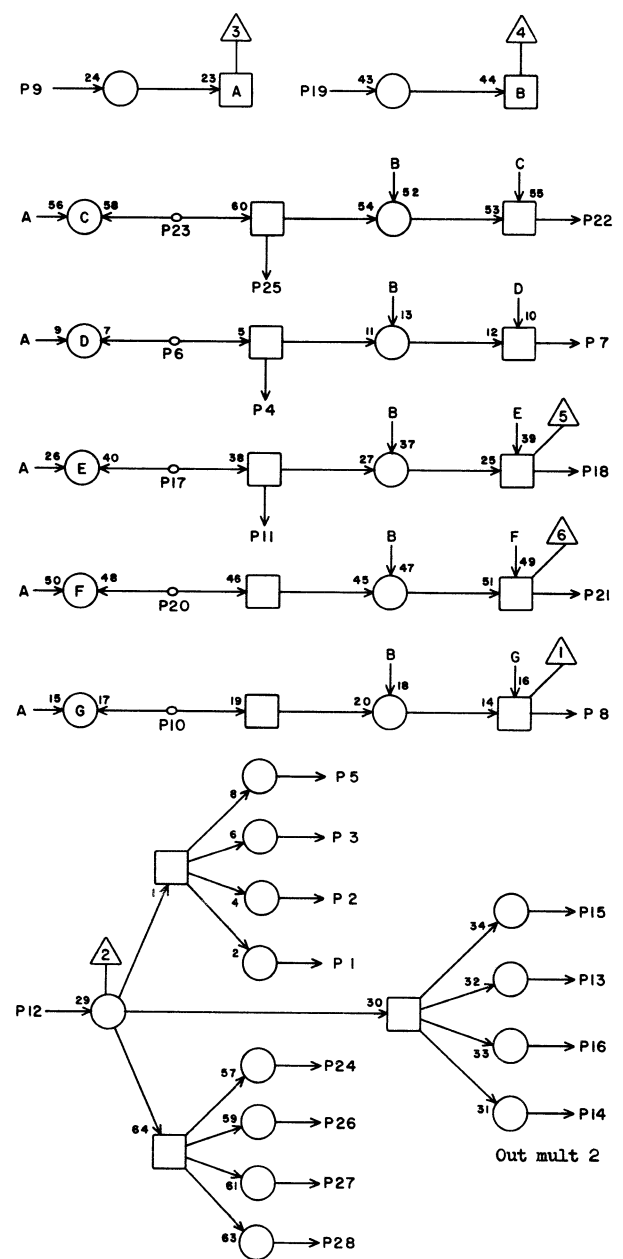
8F30



RJ 8F31

1	E09	10	23
2	E10	10	23
3	E11	10	23
4	F32	10	5
5	E12	10	21
6	D38	3	15
7	B31	9	19
8	E10	24	23
9	F24	12	11
10	F32	4	5
11	F32	17	5
12	G09	15	23
13	F09	10	23
14	F10	10	23
15	F11	10	21
16	F12	10	21
17	D42	3	15
18	A10	24	29
19	F18	12	15
20	F32	25	5
21	C10	24	29
22	A31	9	23
23	C40	3	19
24			
25	F32	20	5
26			
27			
28			

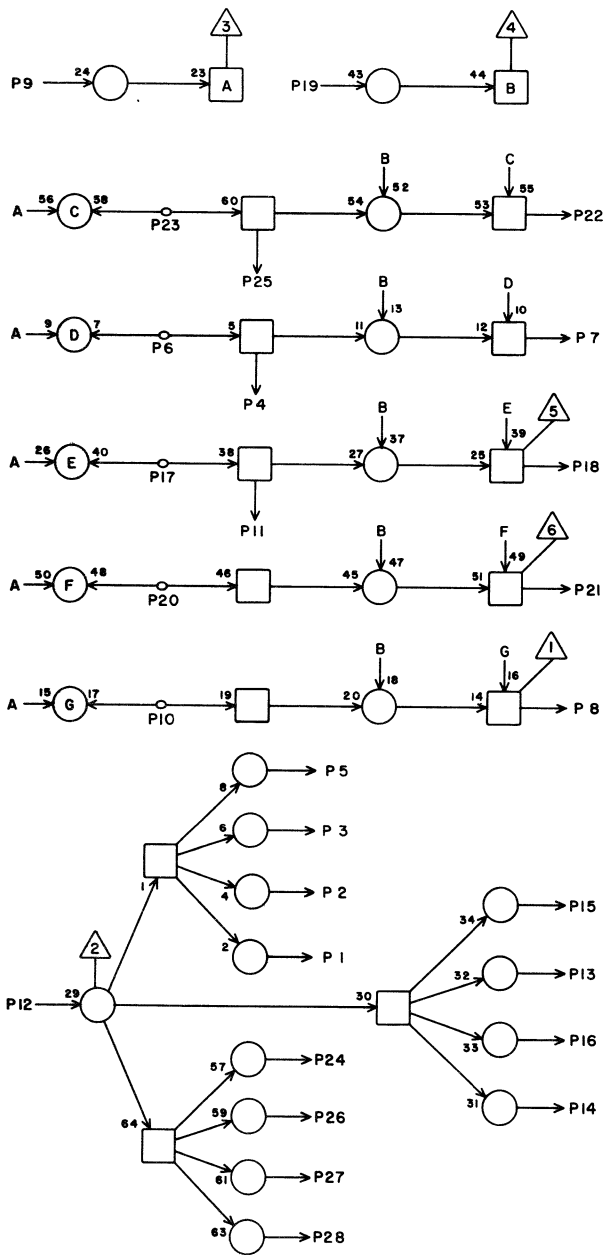
JACK PIN LG



RJ 8F32

1	E09	9	25
2	E10	9	23
3	E11	9	23
4	F31	10	5
5	E12	9	21
6	E38	3	11
7	E10	22	23
8	B32	9	19
9	F18	10	17
10	F31	4	5
11			
12	G09	9	23
13	F09	9	23
14	F10	9	23
15	F11	9	23
16	F12	9	21
17	F31	11	5
18	A10	22	31
19	F24	10	11
20	F31	25	5
21	A32	9	23
22	C10	22	25
23	D42	3	17
24			
25	F31	20	5
26			
27			
28			

JACK PIN LG

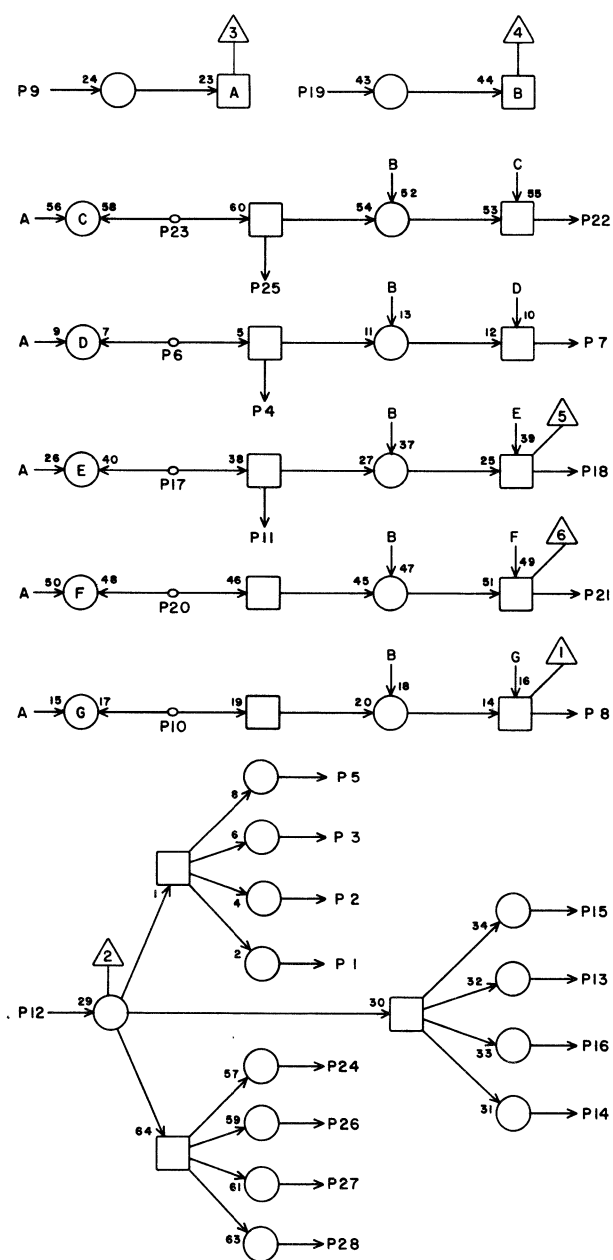


RJ 8 F33

1	E09	12	25
2	E10	12	23
3	E11	12	23
4	F34	10	5
5	E12	12	23
6	D38	5	13
7	B33	9	19
8	E11	8	23
9	F24	20	13
10	F34	4	5
11	F34	17	5
12	G09	11	25
13	F09	12	25
14	F10	12	23
15	F11	12	23
16	F12	12	23
17	D42	5	13
18	A11	8	31
19	F18	20	17
20	F34	25	5
21	C11	8	25
22	A33	9	23
23	C40	5	17
24			
25	F34	20	5
26			
27			
28			

JACK PIN LG

63017200 Rev. E



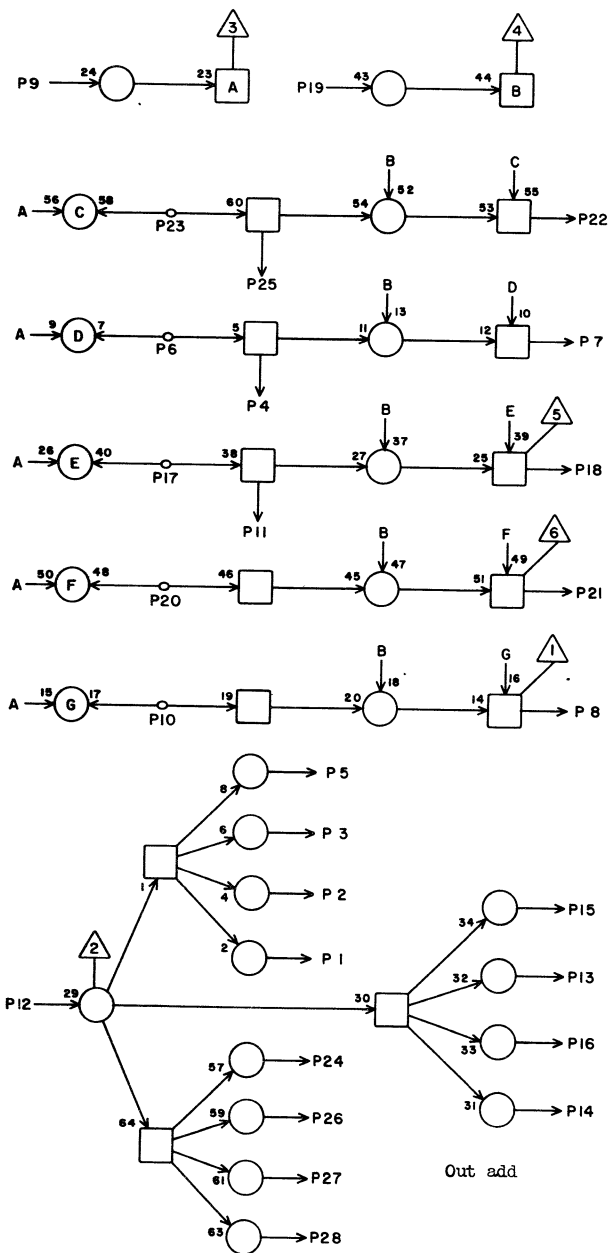
RJ 8 F34

1	E09	11	25
2	E10	11	25
3	E11	11	23
4	F33	10	5
5	E12	11	23
6	D38	5	9
7	E11	24	23
8	B34	9	19
9	F18	19	17
10	F33	4	5
11			
12	G09	10	25
13	F09	11	25
14	F10	11	25
15	F11	11	23
16	F12	11	23
17	F33	11	5
18	A11	24	29
19	F24	19	13
20	F33	25	5
21	A34	9	23
22	C11	24	31
23	D42	5	15
24			
25	F33	20	5
26			
27			
28			

JACK PIN LG

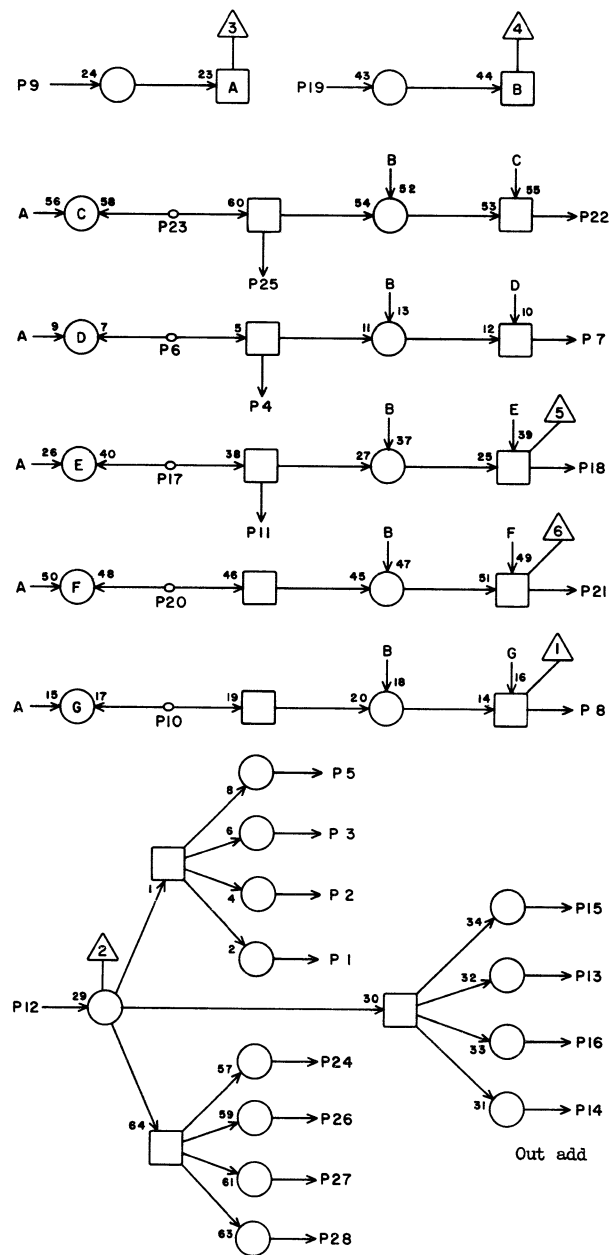
63017200 Rev. E

8F34



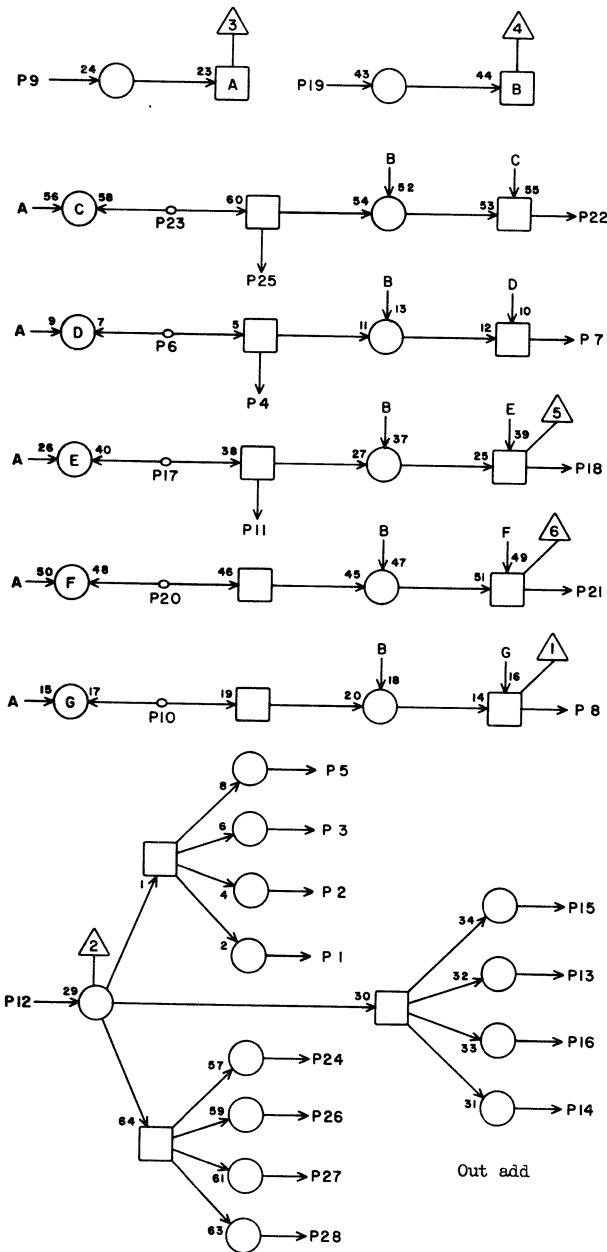
RJ		8F35	
1	A27	17	23
2	A28	17	23
3	A29	17	23
4	F36	10	5
5	A30	17	21
6	D38	13	11
7	B35	9	19
8	E11	22	25
9	F25	12	13
10	F36	4	5
11	F36	17	5
12	F07	21	29
13	A31	17	23
14	A32	17	23
15	A33	17	23
16	A34	17	23
17	E42	13	11
18	A11	22	31
19	F19	12	17
20	F36	25	5
21	C11	22	27
22	A35	9	23
23	C40	13	17
24	A35	17	23
25	F36	20	5
26	A36	17	23
27	A37	17	23
28	A38	17	23
	JACK	PIN	LG

63017200 Rev. E



RJ		8F36	
1	A39	17	21
2	A40	17	21
3	A41	17	21
4	F35	10	5
5	A42	17	23
6	E38	13	7
7	E12	8	25
8	B36	9	19
9	F19	10	19
10	F35	4	5
11			
12	F03	1	120
13	C29	17	17
14	C30	17	15
15	C31	17	15
16	C32	17	15
17	F35	11	5
18	A12	8	33
19	F25	10	15
20	F35	25	5
21	A36	9	23
22	C12	8	27
23	D42	13	13
24	C33	17	15
25	F35	20	5
26	C34	17	15
27	C35	17	15
28	C36	17	15
	JACK	PIN	LG

63017200 Rev. E



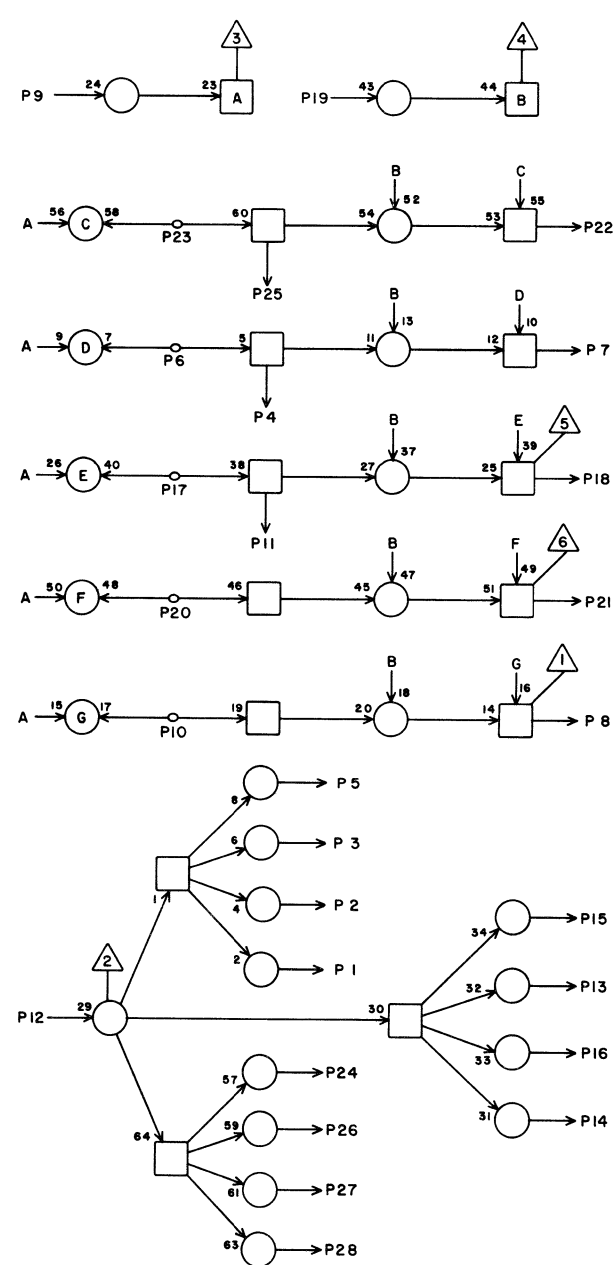
RJ

8F37

1	A27	11	23
2	A28	11	23
3	A29	11	23
4	F38	10	5
5	A30	11	23
6	D38	14	11
7	B37	9	19
8	E12	24	25
9	F25	20	15
10	F38	4	5
11	F38	17	5
12	F07	19	29
13	A31	11	23
14	A32	11	23
15	A33	11	23
16	A34	11	23
17	E42	14	9
18	A12	24	31
19	F19	20	19
20	F38	25	5
21	C12	24	29
22	A37	9	23
23	C40	14	15
24	A35	11	23
25	F38	20	5
26	A36	11	23
27	A37	11	23
28	A38	11	23

JACK PIN LG

63017200 Rev. E



RJ

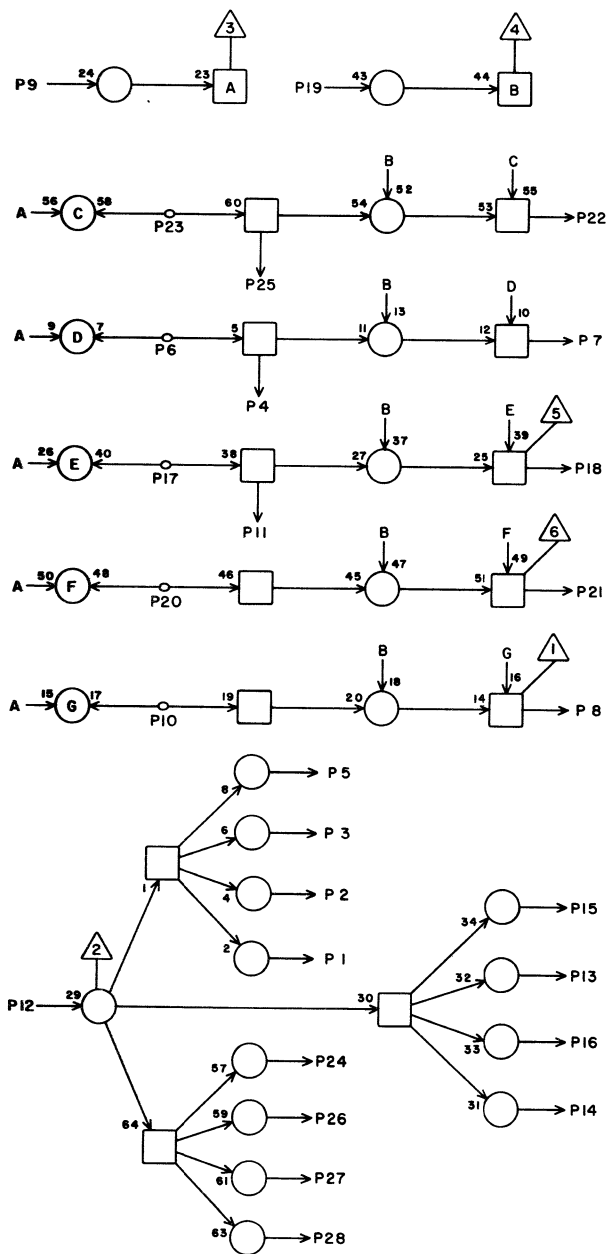
8F38

1	A39	11	21
2	A40	11	21
3	A41	11	21
4	F37	10	5
5	A42	11	23
6	E38	14	7
7	E12	22	27
8	B38	9	19
9	F19	19	21
10	F37	4	5
11			
12	F03	20	120
13	C29	11	17
14	C30	11	17
15	C31	11	17
16	C32	11	17
17	F37	11	5
18	A12	22	33
19	F25	19	15
20	F37	25	5
21	A38	9	23
22	C12	22	29
23	D42	14	13
24	C33	11	17
25	F37	20	5
26	C34	11	17
27	C35	11	17
28	C36	11	17

JACK PIN LG

63017200 Rev. E

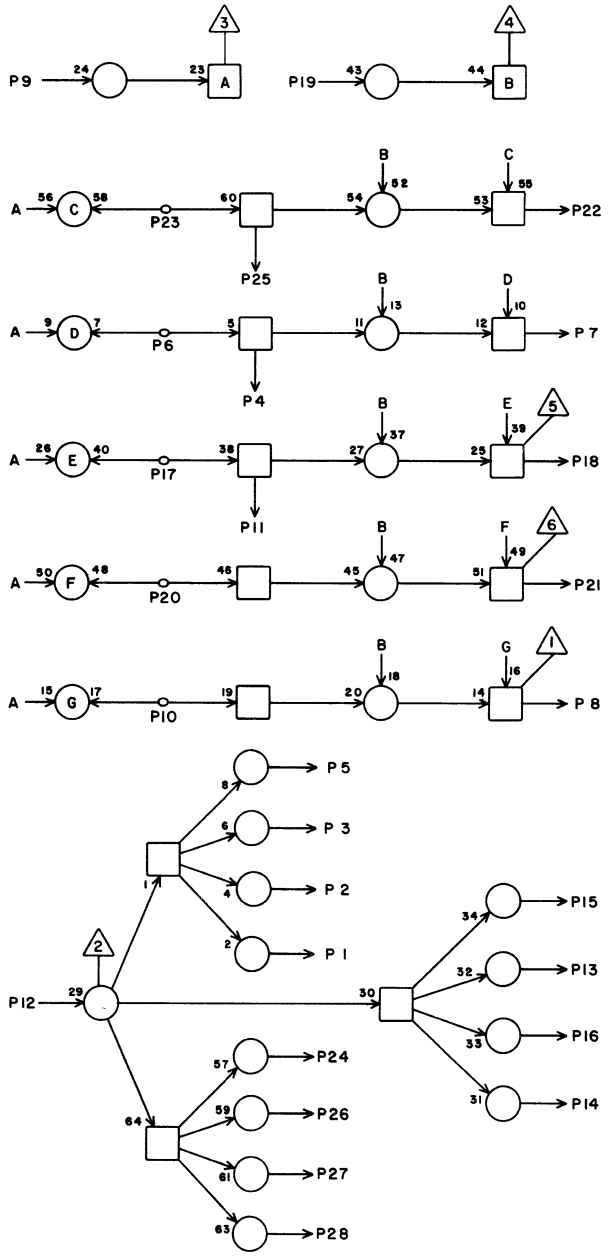
8F38



RJ 8F39

1	A27	12	25
2	A28	12	23
3	A29	12	23
4	F40	10	5
5	A30	12	23
6	D38	15	11
7	B39	9	19
8	F09	8	29
9	F26	12	15
10	F40	4	5
11	F40	17	5
12	F07	17	33
13	A31	12	23
14	A32	12	23
15	A33	12	23
16	A34	12	23
17	E42	15	9
18	B09	8	33
19	F20	12	21
20	F40	25	5
21	D09	8	33
22	A39	9	23
23	C40	15	15
24	A35	12	23
25	F40	20	5
26	A36	12	23
27	A37	12	23
28	A38	12	23

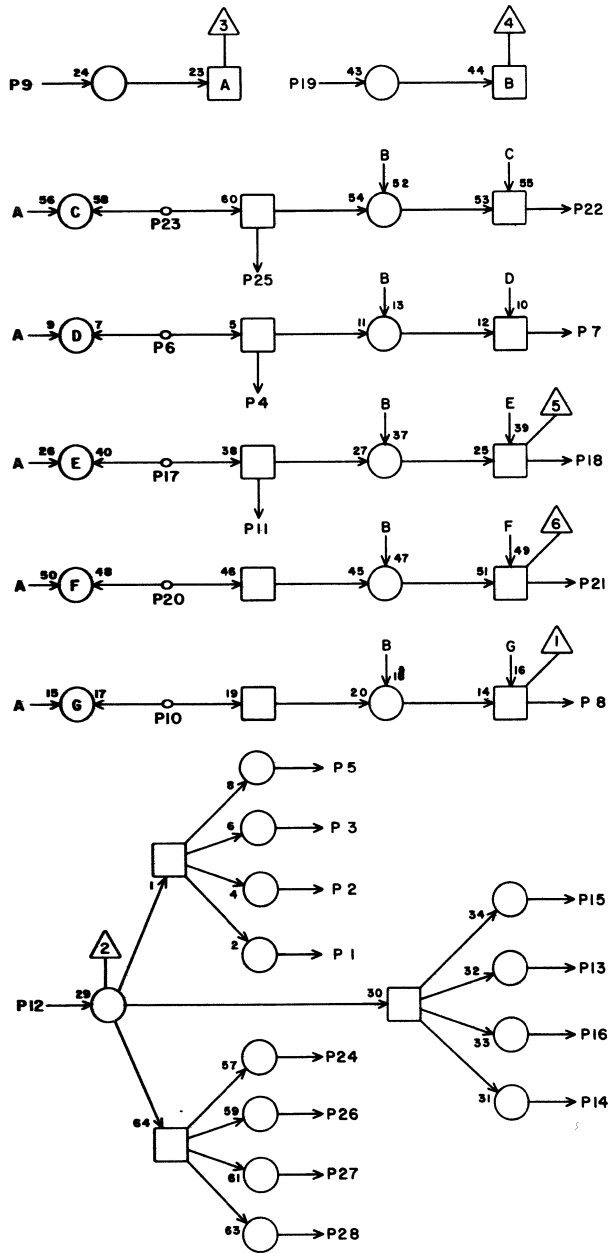
JACK PIN LG



RJ 8F40

1	A39	12	21
2	A40	12	21
3	A41	12	21
4	F39	10	5
5	A42	12	23
6	E38	15	7
7	F09	24	29
8	B40	9	19
9	F20	10	21
10	F39	4	5
11			
12	F03	4	120
13	C29	12	19
14	C30	12	17
15	C31	12	17
16	C32	12	17
17	F39	11	5
18	B09	24	33
19	F26	10	17
20	F39	25	5
21	A40	9	23
22	D09	24	33
23	D42	15	13
24	C33	12	17
25	F39	20	5
26	C34	12	17
27	C35	12	17
28	C36	12	17

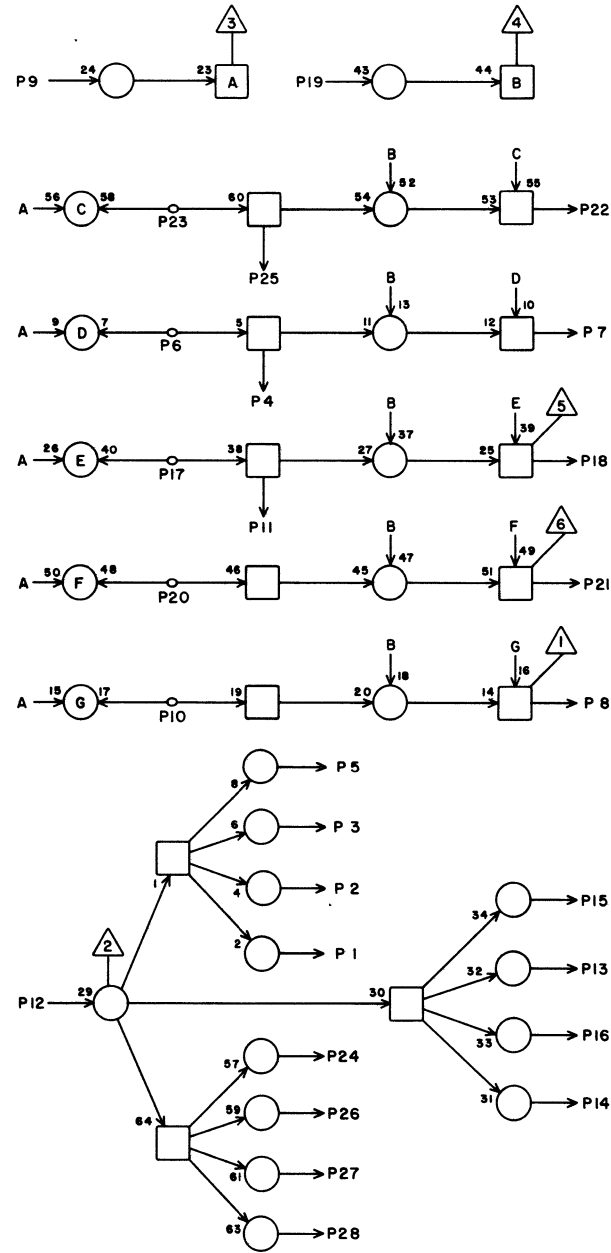
JACK PIN LG



RJ		8F41	
1	A27	21	25
2	A28	21	23
3	A29	21	23
4	F42	10	5
5	A30	21	23
6	D38	16	11
7	B41	9	19
8	F09	22	31
9	F26	20	17
10	F42	4	5
11	F42	17	5
12	F07	15	33
13	A31	21	23
14	A32	21	23
15	A33	21	23
16	A34	21	23
17	B42	16	7
18	B09	22	35
19	F20	20	23
20	F42	25	5
21	D09	22	33
22	A41	9	23
23	C40	16	15
24	A35	21	23
25	F42	20	5
26	A36	21	23
27	A37	21	23
28	A38	21	23

JACK PIN LG

63017200 Rev. E



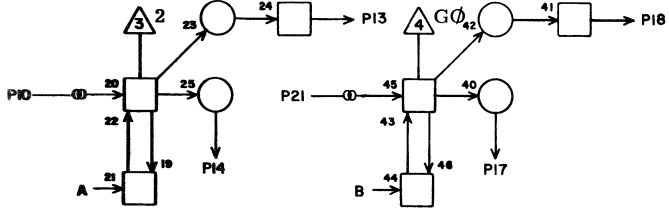
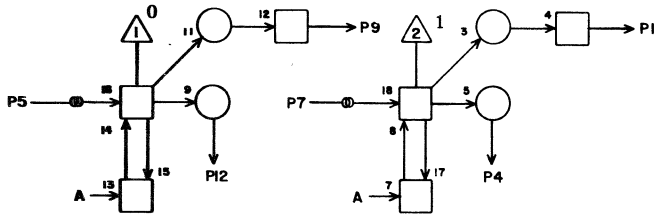
RJ		8F42	
1	A39	21	21
2	A40	21	21
3	A41	21	21
4	F41	10	5
5	A42	21	21
6	B38	16	9
7	F10	8	31
8	B42	9	19
9	F20	19	23
10	F41	4	5
11			
12	F03	28	120
13	C29	21	19
14	C30	21	19
15	C31	21	17
16	C32	21	17
17	F41	11	5
18	B10	8	35
19	F26	19	17
20	F41	25	5
21	A42	9	23
22	D10	8	33
23	D42	16	13
24	C33	21	17
25	F41	20	5
26	C34	21	17
27	C35	21	17
28	C36	21	17

JACK PIN LG

8F42

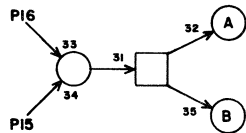
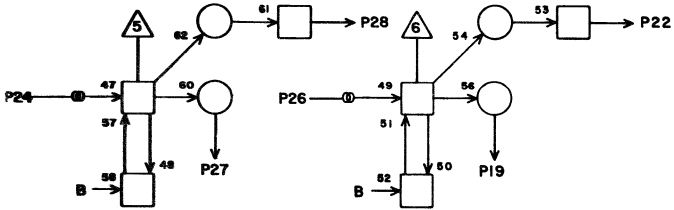
63017200 Rev. F

X_j TO MULTIPLY TAG



Transmit shift

F1 add plus



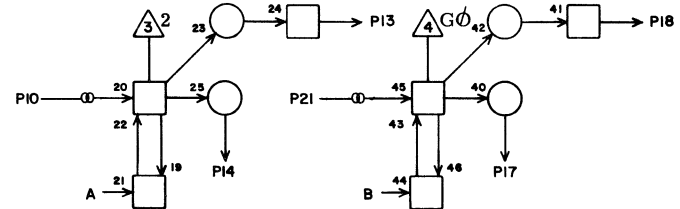
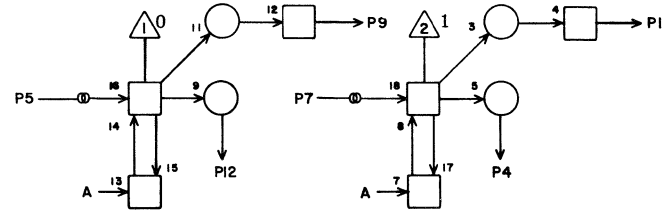
PI 8G01

1	G09	8	11
2			
3			
4			
5	W21	901	
6			
7	W21	902	
8			
9	C13	28	19
10	W21	903	
11			
12			
13	G09	26	11
14			
15	H08	4	11
16	G01	X	2
17			
18	H21	1	21
19	E20	14	23
20			
21	W21	900	
22	K42	15	43
23			
24	W12	902	
25			
26	W13	92	
27	I19	1	120
28	C23	5	31

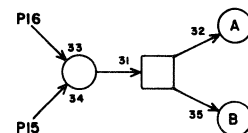
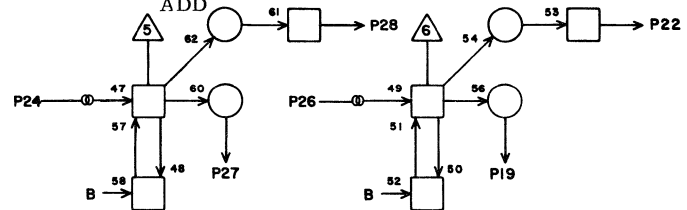
JACK PIN LG

63017200 Rev. AB

X TO CENTRAL MEMORY TAG



TRANSMIT
ADD



PI 8G02

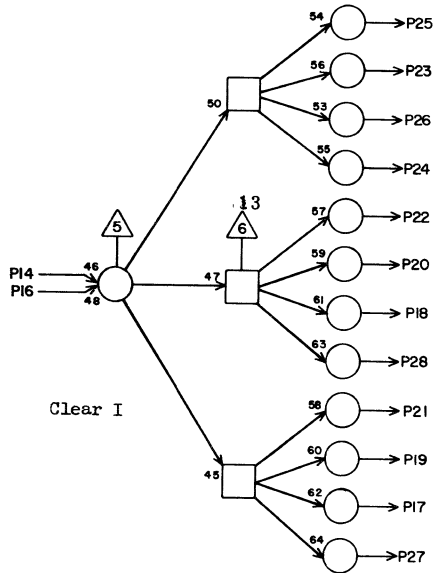
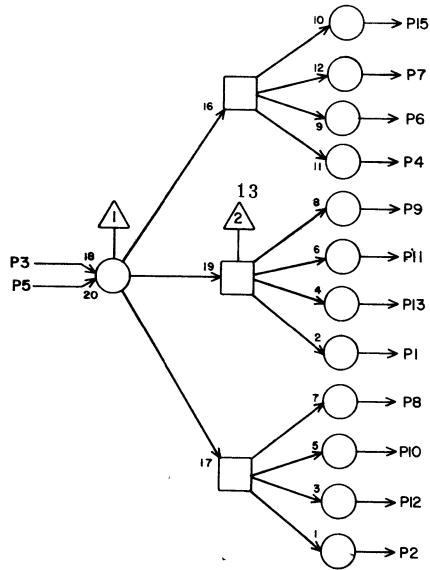
1	G10	8	11
2			
3			
4			
5	W22	905	
6			
7	W22	906	
8			
9			
10	W22	907	
11			
12	B14	28	25
13	G10	26	11
14			
15	H08	9	11
16	G02	X	2
17			
18	H07	25	11
19			
20			
21	W22	904	
22			
23			
24	W12	903	
25			
26			
27	G18	21	17
28	D17	5	23

JACK PIN LG

63017200 Rev.E

8G02

CLOCK



TC 8G03

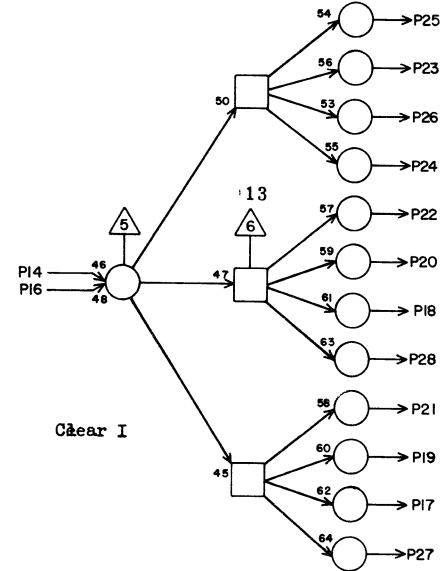
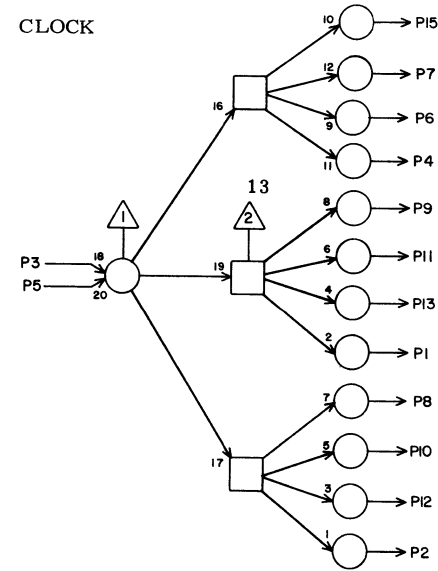
1	A08	15	25
2	B04	15	21
3	H 7	6	9
4	A04	15	25
5	G03	X	2
6	A03	15	25
7	A02	15	25
8	B01	15	21
9	A05	15	25
10	B02	15	23
11	A06	15	25
12	B03	15	23
13	A07	15	25
14	H 7	8	9
15	A01	15	25
16	G03	X	2
17	C07	15	19
18	C03	15	19
19	C06	15	19
20	C02	15	19
21	C05	15	19
22	C01	15	19
23	B06	15	23
24	B08	15	23
25	B05	15	23
26	B07	15	23
27	C08	15	19
28	C04	15	19

JACK PIN LG

63017200 Rev. E

TC 8G04

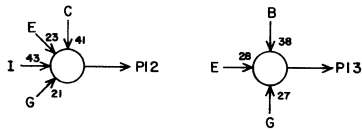
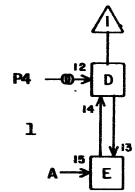
CLOCK



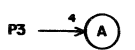
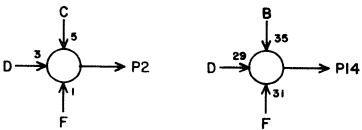
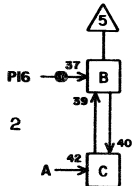
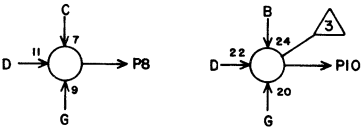
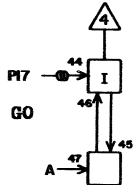
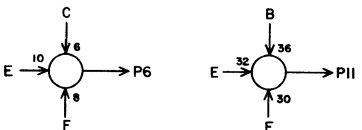
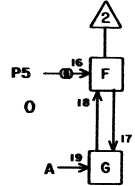
1	D08	15	15
2	E05	15	11
3	H 7	10	9
4	D04	15	15
5	G04	X	2
6	D03	15	15
7	D02	15	15
8	E02	15	11
9	D05	15	15
10	E03	15	11
11	D06	15	15
12	E04	15	11
13	D07	15	15
14	H 7	12	9
15	D01	15	15
16	G04	X	2
17			
18			
19			
20			
21			
22			
23			
24			
25	E06	15	13
26			
27			
28			

JACK PIN LG

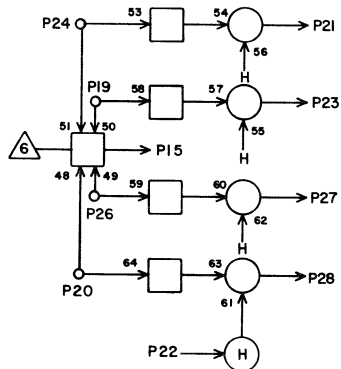
63017200 Rev. E



In Mem (Via D)

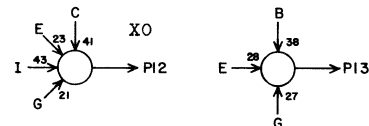
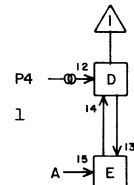


In X⁰

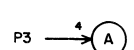
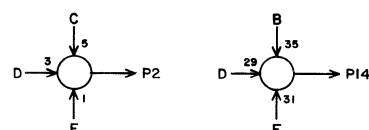
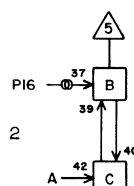
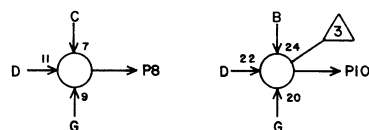
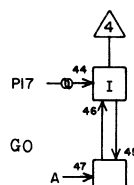
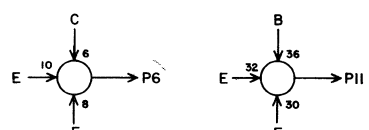
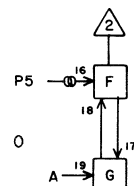


RB			
8 G05			
1			
2	A21	19	29
3	G12	15	11
4	W20	92	
5	W20	91	
6	A19	19	27
7			
8	A20	19	29
9			
10			
11	B20	19	25
12			
13	B19	19	25
14			
15	G21	5	17
16	W20	93	
17	W20	90	
18			
19	G07	12	5
20			
21	C13	1	23
22	G12	25	11
23	E13	1	17
24	G06	12	5
25			
26	G08	12	7
27	F06	1	11
28			
	JACK	PIN	LG

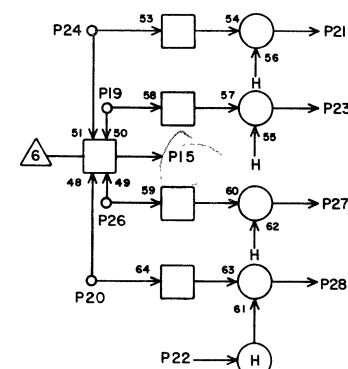
63017200 Rev. E



In Mult



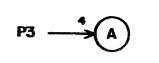
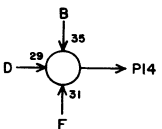
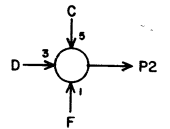
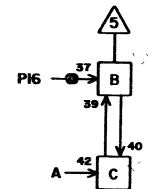
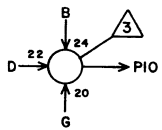
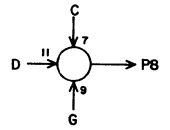
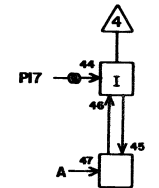
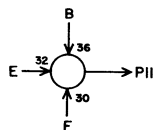
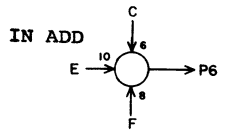
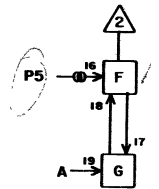
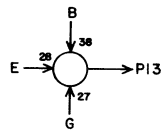
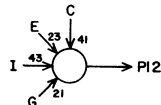
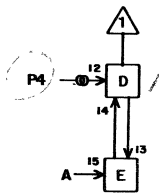
In X¹



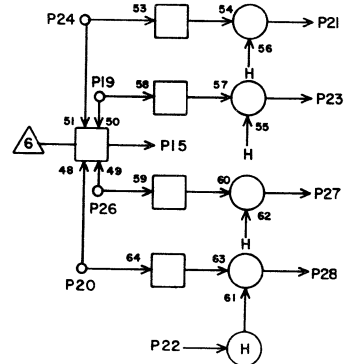
8G06

RB			
8G06			
1			
2	G08	24	9
3	G12	7	9
4	W20	903	
5	W20	902	
6	G06	24	5
7			
8	G07	24	5
9			
10	B17	20	23
11	A18	20	27
12	G05	24	5
13	A17	20	27
14	B18	20	25
15	G21	23	17
16	W20	904	
17	W20	901	
18			
19	G07	6	5
20	G11	12	7
21	C13	16	21
22	G12	23	9
23	E13	16	15
24	G06	6	5
25			
26	G08	6	5
27	F06	16	9
28	G13	3	11
	JACK	PIN	LG

63017200 Rev. E



IN X 2

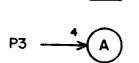
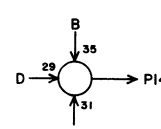
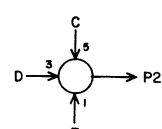
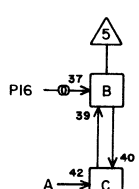
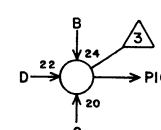
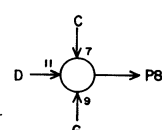
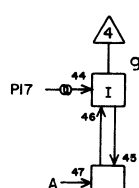
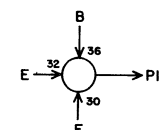
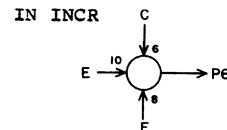
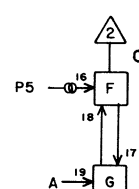
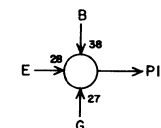
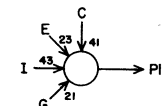
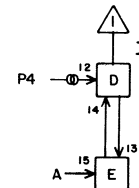


RB 8G 07

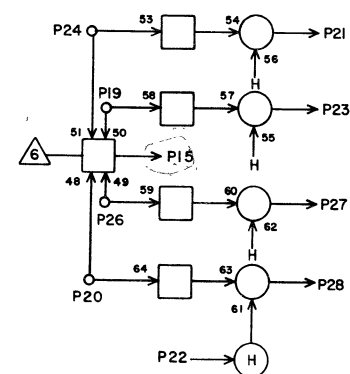
1			
2	G08	19	5
3	G12	6	7
4	W20	907	
5	W20	906	
6	G06	19	5
7			
8	G07	19	5
9			
10	B17	19	23
11	A18	19	27
12	G05	19	5
13	A17	19	27
14	B18	19	25
15	G22	5	17
16	W20	98	
17	W20	905	
18			
19	G07	8	5
20	G11	4	7
21	C14	1	21
22	G12	26	7
23	E14	1	15
24	G06	8	5
25			
26	G08	8	5
27	F06	28	7
28	G13	14	9

JACK PIN LG

63017200 Rev. E



IN X 3



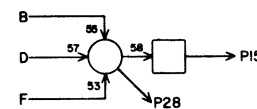
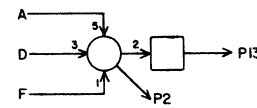
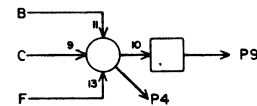
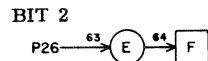
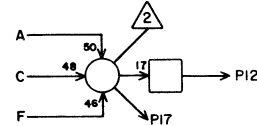
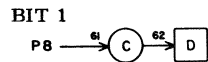
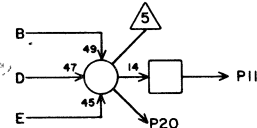
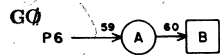
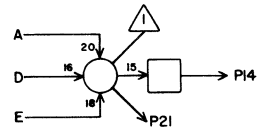
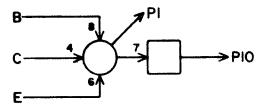
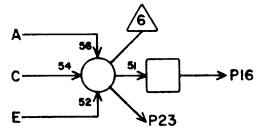
RB 8G08

1	G08	26	25
2	G08	26	5
3	G12	4	7
4	W21	96	
5	W21	95	
6	G06	26	5
7			
8	G07	26	5
9			
10	B17	22	23
11	A18	22	27
12	G05	26	7
13	A17	22	27
14	B18	22	23
15	G22	23	17
16	W21	97	
17	W21	94	
18			
19	G07	2	5
20	G11	14	7
21	C14	16	21
22	G12	24	7
23	E14	16	15
24	G06	2	9
25			
26	G08	2	5
27	F08	28	7
28	G14	3	9

JACK PIN LG

63017200 Rev. E

XLATE
X TO MULT.
J TAG



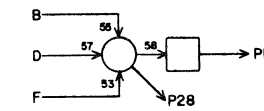
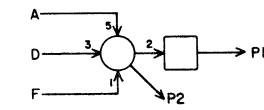
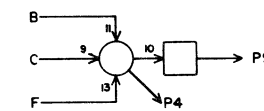
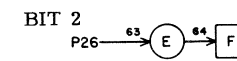
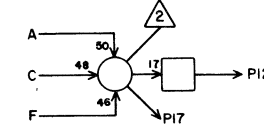
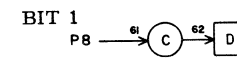
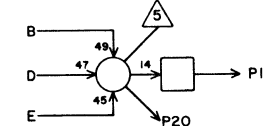
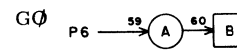
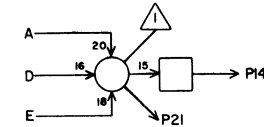
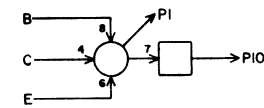
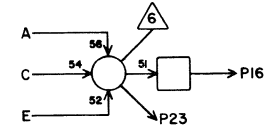
IV 8 G09

1			
2			
3			
4			
5			
6	H21	6	96
7			
8	G01	1	11
9	F32	12	23
10	F34	12	25
11	F33	12	25
12			
13			
14			
15	F31	12	23
16			
17			
18			
19			
20			
21			
22			
23			
24			
25			
26	G01	13	11
27			
28			

JACK PIN LG

63017200 Rev. N

XLATE
X TO MEM.
TAG



IV 8 G10

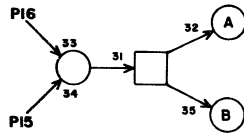
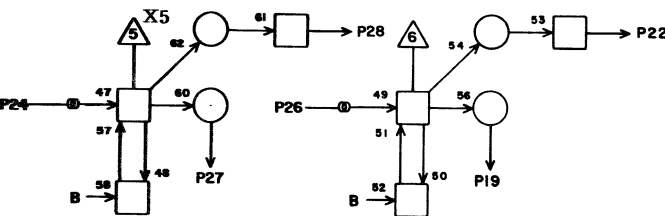
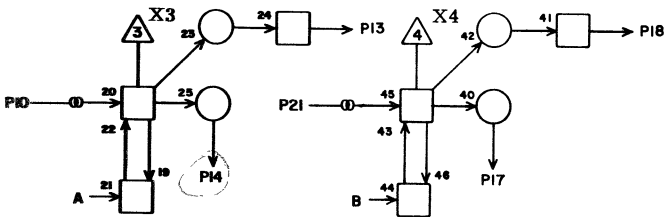
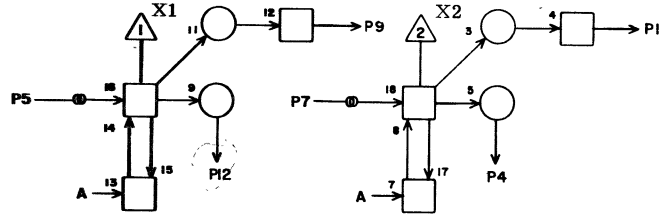
1			
2			
3			
4			
5			
6	H 7	16	9
7			
8	G02	1	11
9	E30	12	23
10	E32	12	23
11	E31	12	23
12			
13			
14			
15	E29	12	21
16			
17			
18			
19			
20			
21			
22			
23			
24			
25			
26	G02	13	11
27			
28			

JACK PIN LG

63017200 Rev. E

8G10

D TO X UPPER



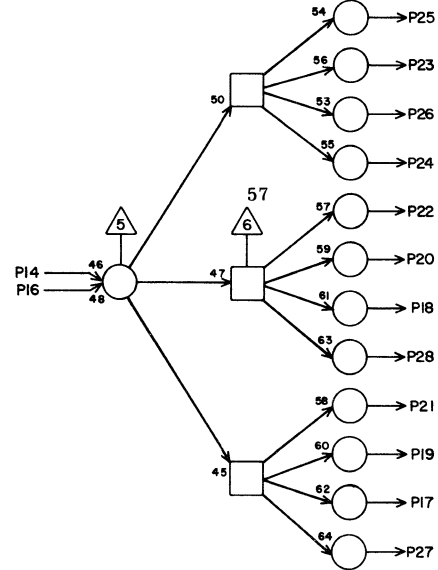
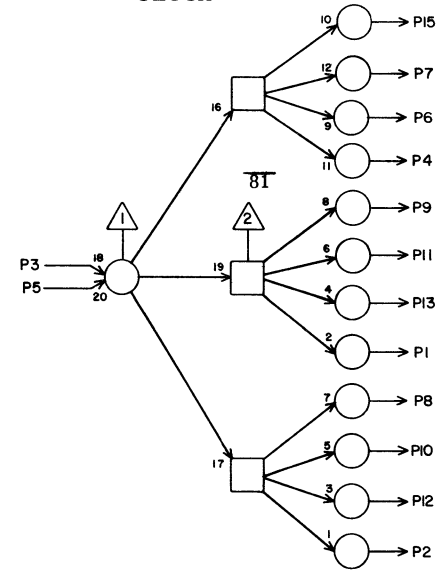
PI 8G11

1			
2			
3			
4	G07	20	7
5	W23	90	
6			
7	W23	91	
8			
9			
10	W23	92	
11			
12	G06	20	7
13			
14	G08	20	7
15	H23	12	60
16		X	2
17	A17	27	25
18			
19			
20			
21	W23	93	
22			
23			
24	W23	94	
25			
26			
27	A18	27	27
28			

JACK PIN LG

63017200 Rev. T

CLOCK

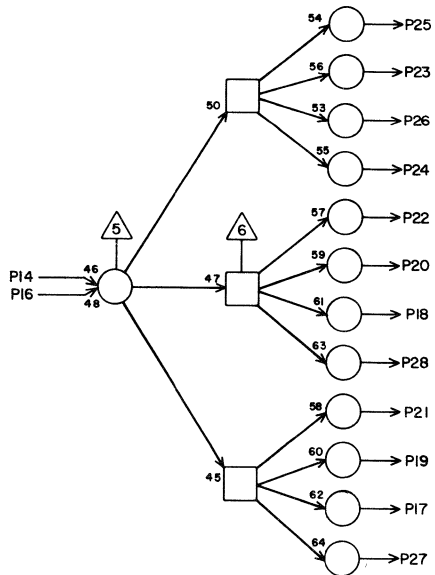
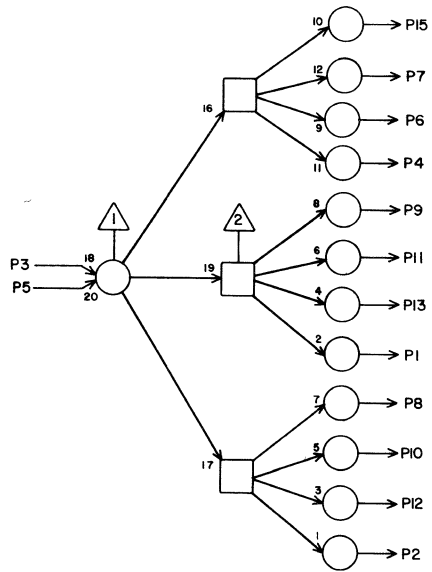


TC 8G12

1			
2			
3	J18	6	180
4	G08	3	7
5	G12	X	2
6	G07	3	7
7	G06	3	9
8			
9			
10			
11			
12			
13			
14	H22	5	60
15	G05	3	11
16	G12	X	2
17			
18	B17	17	23
19			
20	A18	17	27
21			
22	A17	17	27
23	G06	22	9
24	G08	22	7
25	G05	22	11
26	G07	22	7
27			
28	B18	17	25

JACK PIN LG

63017200 Rev. N



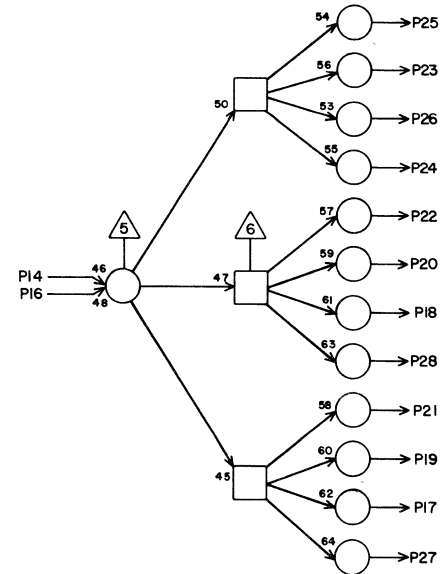
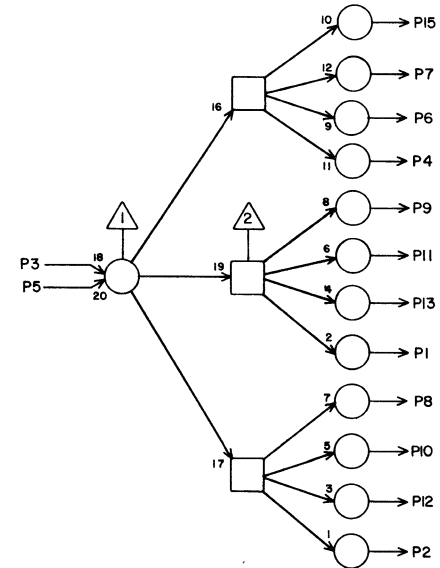
TC

8G13

1			
2			
3	G06	28	11
4	A20	13	25
5	G13	X	2
6	A19	13	25
7	A18	13	25
8			
9			
10			
11			
12			
13			
14	G07	28	9
15	A17	13	27
16	G13	X	2
17			
18			
19			
20			
21			
22			
23	A22	13	27
24	A24	13	29
25	A21	13	29
26	A23	13	29
27			
28			

JACK PIN LG

63017200 Rev. E



TC

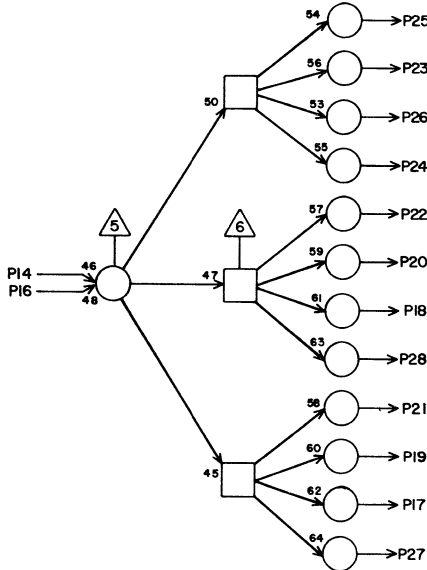
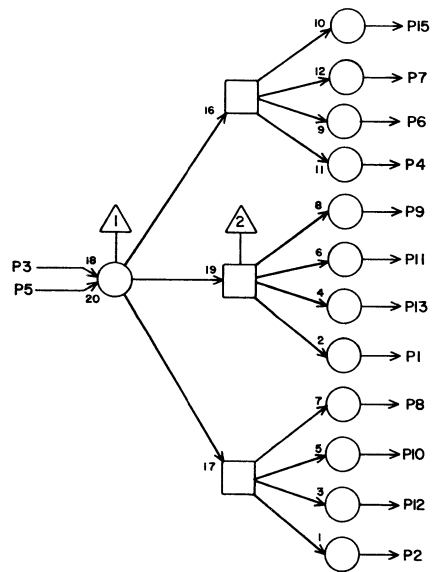
8G14

1			
2			
3	G08	28	9
4	B18	13	23
5	G14	X	2
6	B17	13	23
7	A26	13	27
8			
9			
10			
11			
12			
13			
14	A17	28	25
15	A25	13	27
16	G14	X	2
17			
18			
19			
20			
21			
22			
23	B20	13	23
24	B22	13	25
25	B19	13	23
26	B21	13	25
27			
28			

JACK PIN LG

63017200 Rev. E

8G14



LONG
ADD
SIGN
 X_k

TC

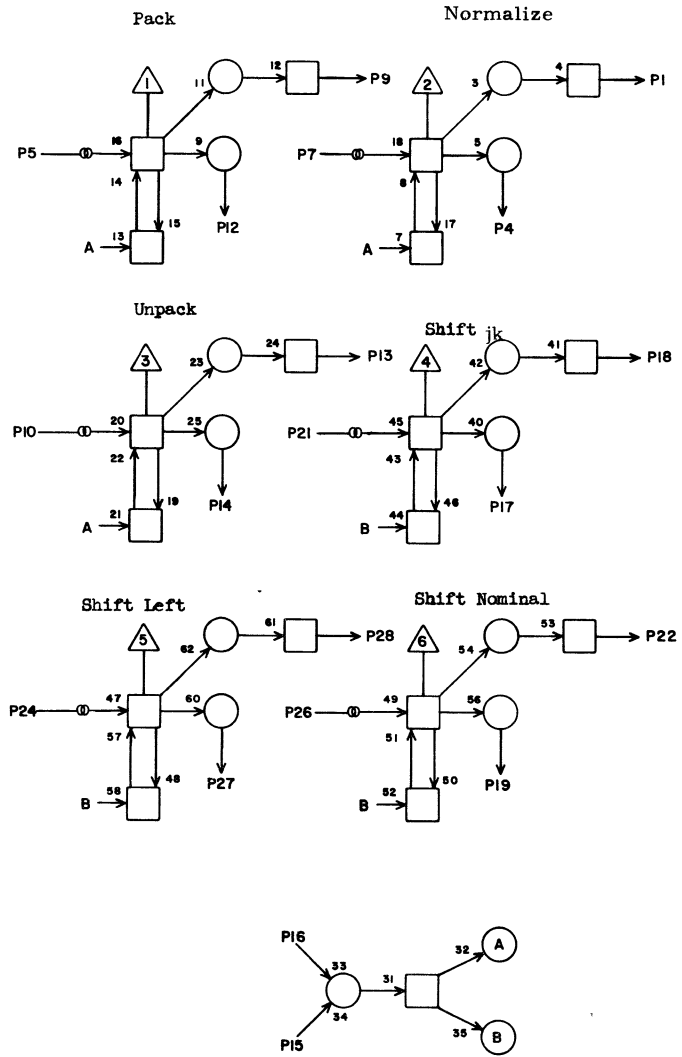
8G15

1			
2			
3	A18	28	25
4	B26	13	25
5	G15	X	2
6	B25	13	23
7	B24	13	23
8			
9			
10			
11			
12			
13			
14	I19	10	13
15	B23	13	23
16	G15	X	2
17			
18	J32	20	23
19	J38	20	27
20	J30	20	21
21	J36	20	25
22	J28	20	19
23	I36	20	23
24	J26	20	19
25	I34	20	21
26	I38	20	25
27	H06	20	120
28	J34	20	23

JACK PIN LG

63017200 Rev. E

Shift mode design



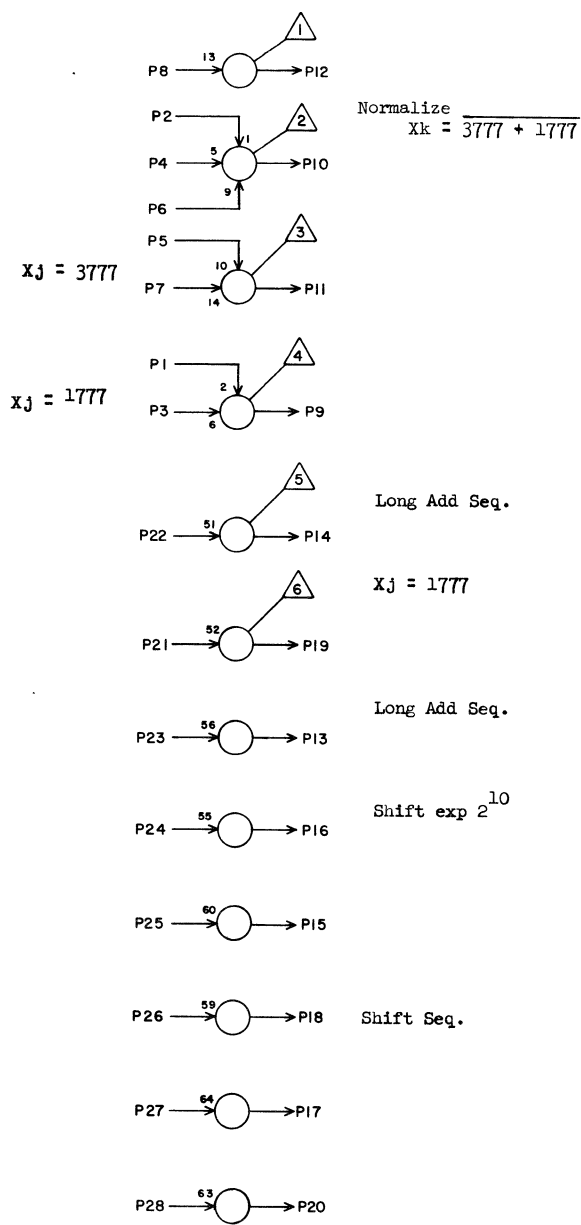
PI

8G16

1	H20	25	11
2			
3			
4	E14	28	11
5	W12	95	
6			
7	W12	908	
8			
9	H22	26	9
10	W12	96	
11			
12	E13	28	120
13	I19	19	13
14	I24	23	15
15	C23	2	23
16	H10	17	72
17	I19	12	11
18	I25	27	17
19	K30	4	21
20			
21	W12	97	
22	G33	15	19
23			
24	W12	99	
25			
26	W12	98	
27	K30	2	21
28	I17	16	11

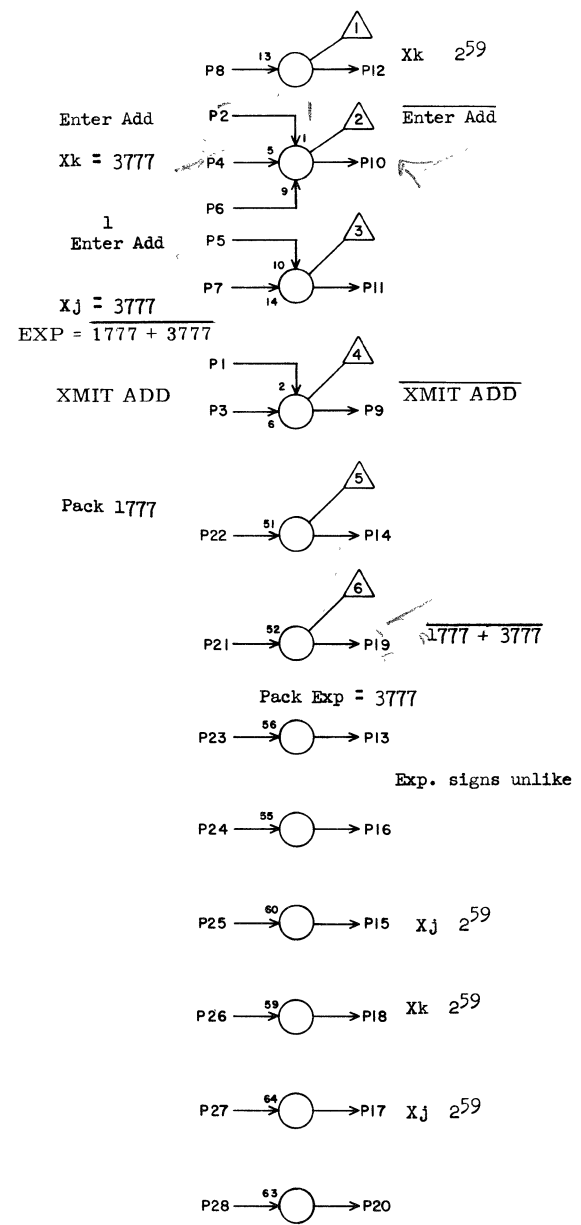
JACK PIN LG

63017200 Rev. T



TL		8G17	
1	G17	14	3
2	K20	11	19
3	M19	4	27
4	M18	27	25
5	D20	2	17
6	H21	22	11
7	G17	13	5
8	C27	2	23
9	F17	16	9
10	F18	14	9
11	F17	14	9
12	C25	7	25
13	G17	7	5
14	G17	1	3
15	H24	16	49
16	I24	24	15
17	I14	3	13
18	I24	22	15
19	Q20	21	37
20	I17	20	120
21	J19	15	15
22	J24	28	17
23	J24	26	17
24	J02	26	19
25	M20	27	27
26	O31	23	35
27	L16	28	25
28	J03	21	19

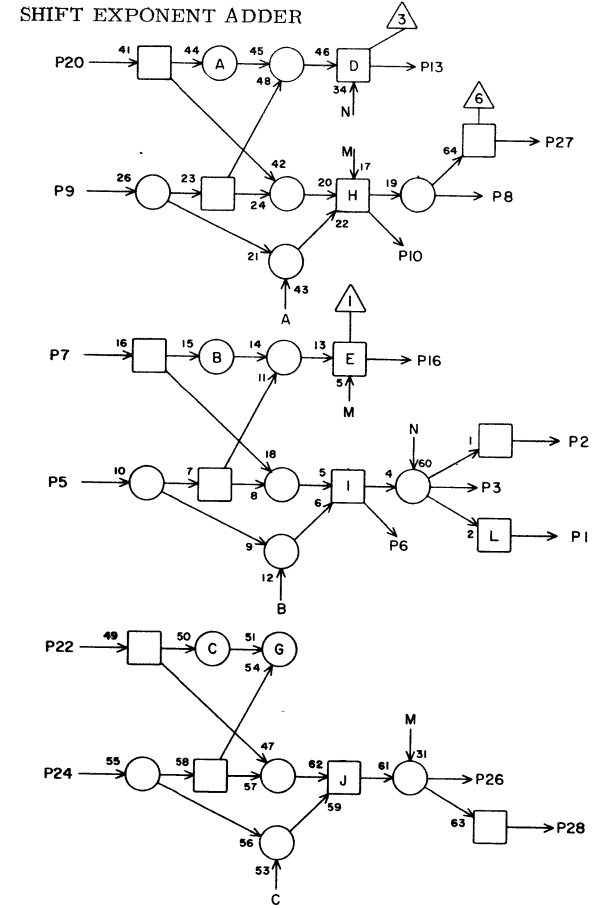
JACK PIN LG



TL		8G18	
1	C19	2	19
2	C25	2	23
3	D20	4	17
4	G18	10	8
5	I23	10	13
6	K20	10	10
7	H22	2	7
8	H20	13	7
9	F20	14	9
10	A24	20	25
11	M18	14	25
12	J02	20	21
13			
14	J03	27	21
15	R24	21	43
16	G34	13	19
17	O27	21	33
18	C25	5	23
19	K20	22	20
20	A13	1	84
21	G02	27	17
22	C27	8	23
23	C20	8	21
24	E14	6	13
25	M20	28	27
26	C26	6	23
27	L31	14	25
28	E01	28	72

JACK PIN LG

SHIFT EXPONENT ADDER



KR

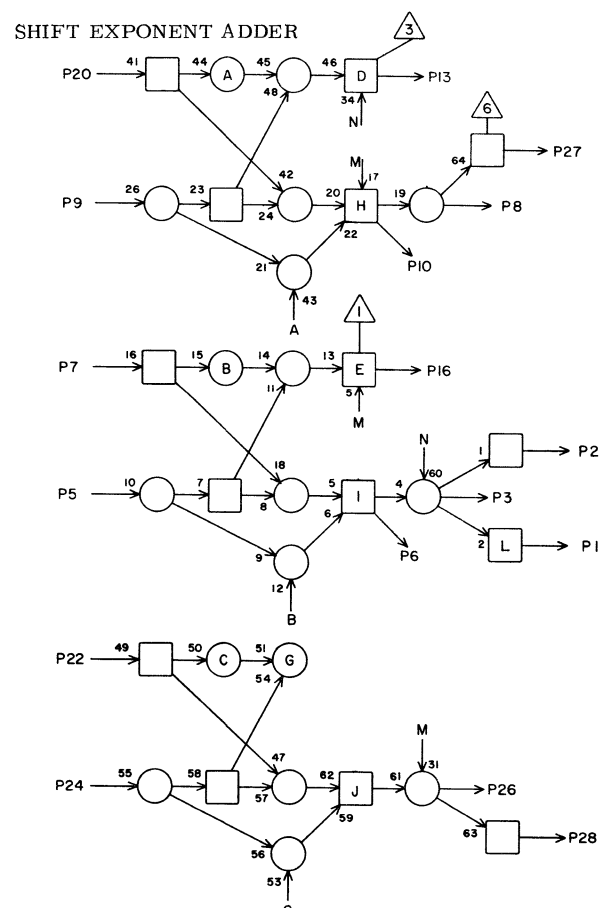
8G19

1	H19	22	11
2	I05	4	19
3	I05	1	19
4			
5	L09	1	25
6	G34	4	17
7	L14	3	23
8	I04	4	19
9	L09	10	25
10	H19	20	9
11	E14	2	11
12			
13	G34	2	17
14	H19	28	9
15			
16	G34	8	17
17			
18	H19	27	9
19			
20	L14	10	23
21			
22	L14	26	23
23			
24	L10	10	23
25			
26	I06	1	17
27	I04	1	19
28	I06	4	17

JACK PIN LG

63017200 Rev. E

SHIFT EXPONENT ADDER



KR

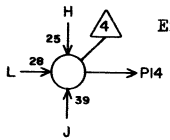
8G20

1	H19	24	11
2	I08	4	17
3	I08	1	17
4			
5	L11	10	25
6	G34	7	17
7	L15	10	23
8	I07	4	17
9	L10	1	25
10	H19	23	9
11	E14	23	13
12			
13	G34	5	17
14	H19	15	9
15			
16	G34	9	17
17			
18	H19	25	9
19			
20	L14	17	23
21			
22	L15	3	21
23			
24	L11	1	23
25			
26	I09	1	15
27	I07	1	17
28	I09	4	15

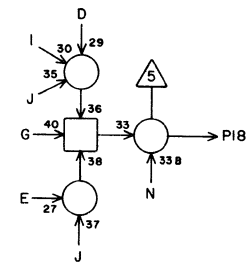
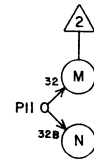
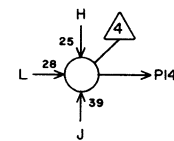
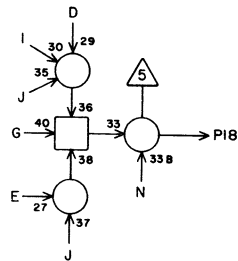
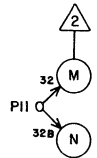
JACK PIN LG

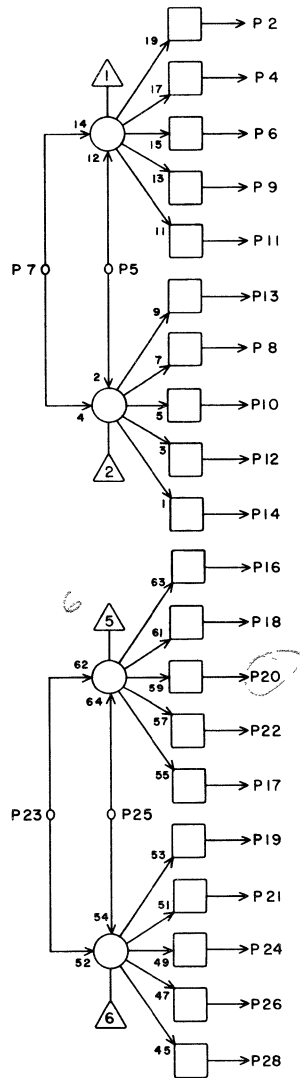
63017200 Rev. E

Enable Up.

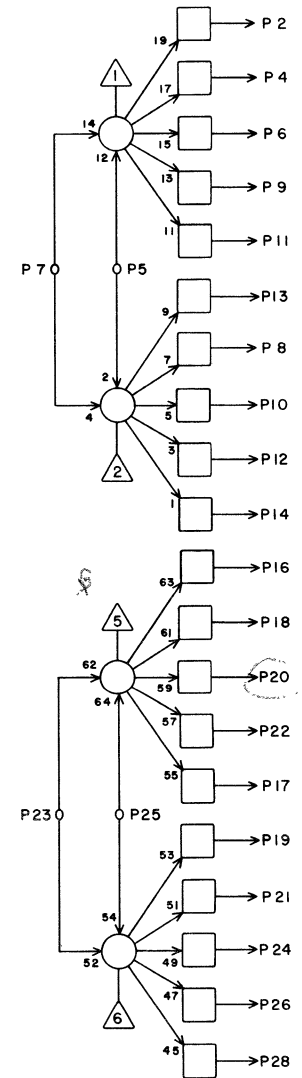


Norm

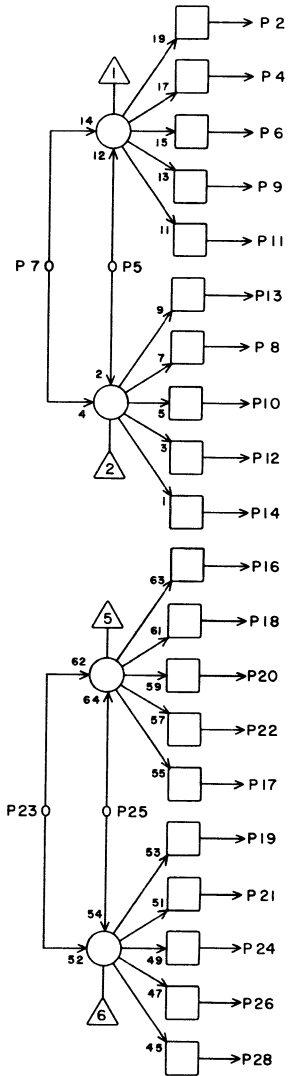




HC		8G21	
JACK	PIN	LG	
1			
2	C17	18	17
3			
4	C18	18	17
5	G05	15	17
6	C19	18	17
7	H23	2	7
8			
9	C20	18	17
10			
11	C21	18	17
12			
13	C22	18	19
14			
15			
16	C23	18	19
17	C27	18	19
18	C24	18	19
19	C28	18	19
20	C25	18	19
21			
22	C26	18	19
23	G06	15	17
24			
25	H23	4	7
26			
27			
28			

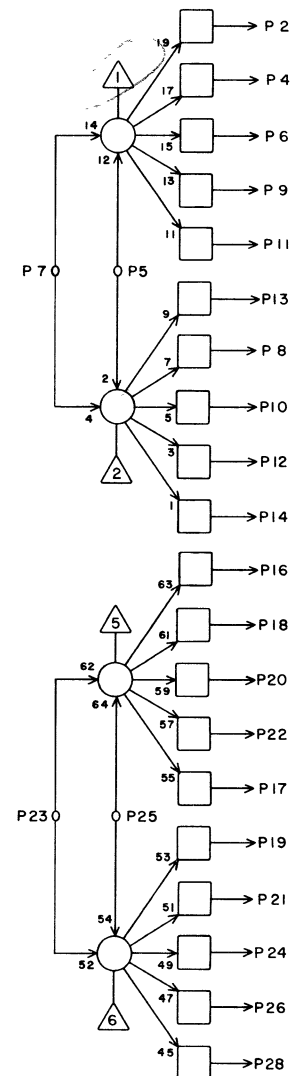


HC		8G22	
JACK	PIN	LG	
1			
2	D17	18	15
3			
4	D18	18	15
5	G07	15	17
6	D19	18	15
7	H23	6	7
8			
9	D20	18	15
10			
11	D21	18	15
12			
13	D22	18	15
14			
15			
16	D23	18	15
17	D27	18	15
18	D24	18	15
19	D28	18	17
20	D25	18	15
21			
22	D26	18	15
23	G08	15	17
24			
25	H23	9	7
26			
27			
28			



HC		8G23	
JACK	PIN	PIN	LG
1			
2	E17	13	13
3			
4	E18	13	11
5	A17	24	25
6	E19	13	11
7	H23	11	9
8			
9	E20	13	13
10			
11	E21	13	11
12			
13	E22	13	11
14			
15			
16	E23	13	11
17	E27	13	13
18	E24	13	13
19	E28	13	13
20	E25	13	13
21			
22	E26	13	13
23	A18	24	27
24			
25	H23	13	7
26			
27			
28			

63017200 Rev. E.

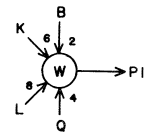
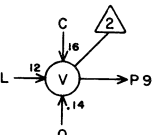
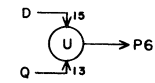
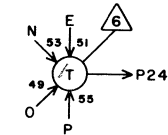
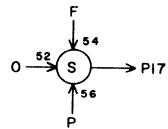
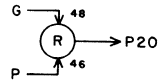
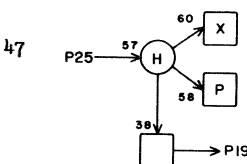
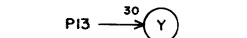
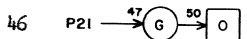
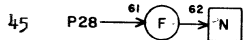
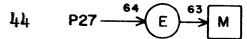
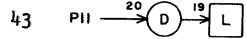
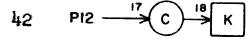
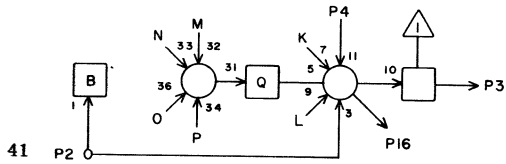


HC		8G24	
JACK	PIN	PIN	LG
1			
2	F17	13	11
3			
4	F18	13	9
5	B17	24	23
6	F19	13	9
7	H23	8	9
8			
9	F20	13	9
10			
11	F21	13	7
12			
13	F22	13	7
14			
15			
16	F23	13	7
17	F27	13	9
18	F24	13	7
19	F28	13	9
20	F25	13	7
21			
22	F26	13	9
23	B18	24	23
24			
25	H23	10	7
26			
27			
28			

63017200 Rev. E.

SHIFT ALL ZERO'S TEST
(NORMALIZE)

40



KC

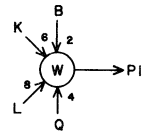
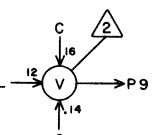
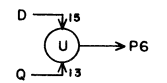
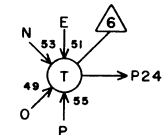
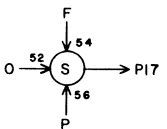
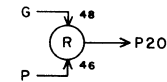
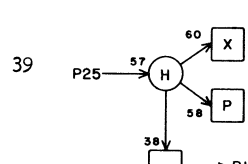
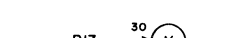
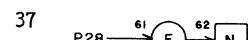
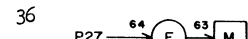
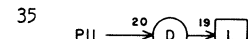
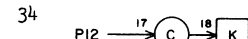
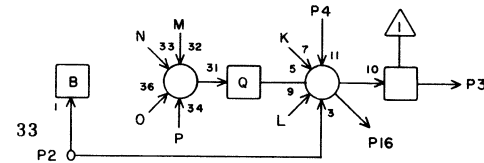
8G25

1			
2	L12	3	25
3	G31	25	9
4	L12	6	25
5			
6			
7			
8	G32	17	11
9			
10			
11	L12	19	25
12	L12	26	25
13	G31	19	9
14	G32	4	11
15			
16			
17			
18	G32	3	11
19			
20			
21	L13	26	25
22			
23			
24			
25	L13	19	25
26			
27	L13	6	23
28	L13	3	23

63017200 Rev. E

SHIFT ALL ZERO'S TEST
(NORMALIZE)

32



KC

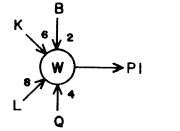
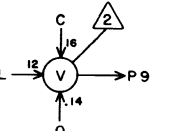
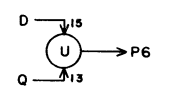
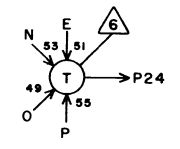
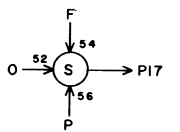
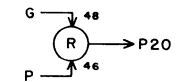
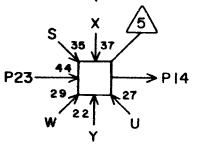
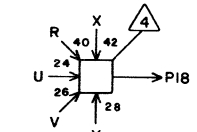
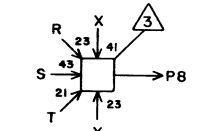
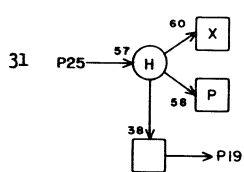
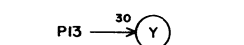
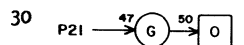
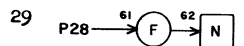
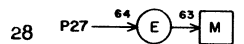
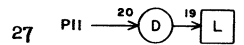
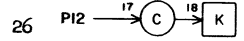
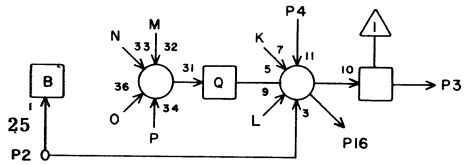
8G26

1			
2	K15	3	21
3	G31	21	7
4	K15	6	21
5			
6			
7			
8	G32	19	9
9			
10			
11	K15	19	23
12	K15	26	23
13	G31	20	7
14	G32	6	9
15			
16			
17			
18	G32	5	9
19			
20			
21	K16	26	21
22			
23			
24			
25	K16	19	21
26			
27	K16	6	21
28	K16	3	19

63017200 Rev. E

8G26

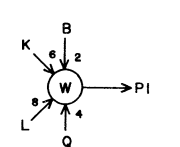
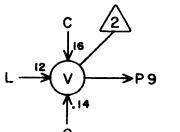
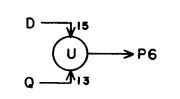
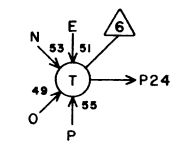
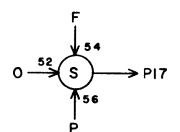
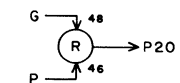
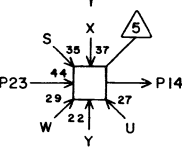
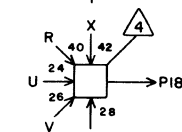
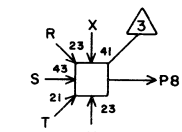
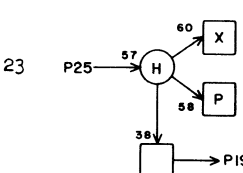
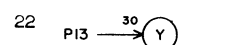
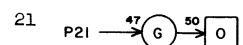
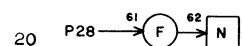
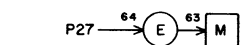
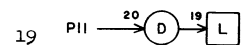
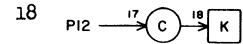
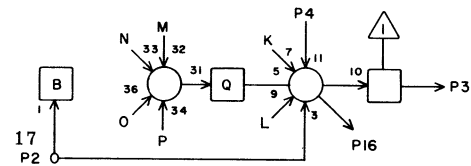
SHIFT ALL ZERO'S TEST
(NORMALIZE)₂₄



KC 8G27

1			
2	K13	3	23
3	G31	28	7
4	K13	6	23
5			
6			
7			
8	G32	21	9
9			
10			
11	K13	19	23
12	K13	26	25
13	G31	17	7
14	G32	8	9
15			
16			
17			
18	G32	7	9
19			
20			
21	K14	26	23
22			
23			
24			
25	K14	19	23
26			
27	K14	6	21
28	K14	3	21
	JACK	PIN	LG

SHIFT ALL ZERO'S TEST
(NORMALIZE)₁₆

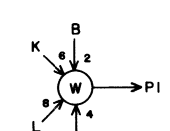
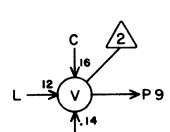
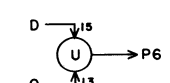
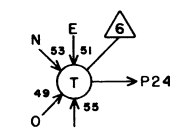
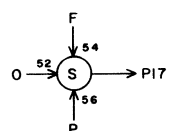
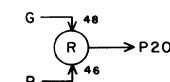
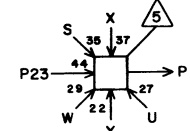
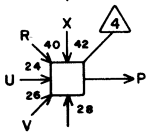
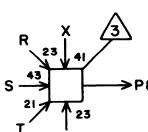
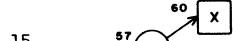
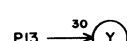
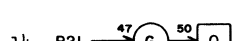
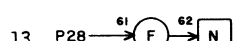
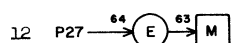
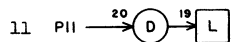
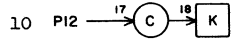
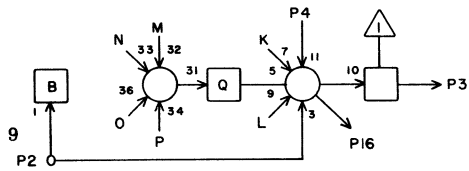


KC 8G28

1			
2	J16	3	19
3	G31	27	7
4	J16	6	19
5			
6			
7			
8	G32	23	9
9			
10			
11	J16	19	19
12	J16	26	19
13	G31	24	7
14	G32	10	9
15			
16			
17			
18	G32	9	9
19			
20			
21	K12	26	25
22			
23			
24			
25	K12	19	23
26			
27	K12	6	23
28	K12	3	23
	JACK	PIN	LG

SHIFT ALL ZERO'S TEST
(NORMALIZE)

8



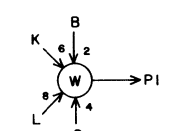
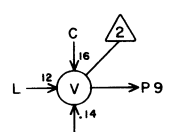
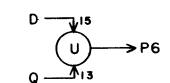
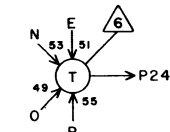
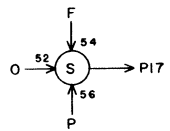
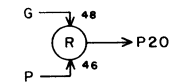
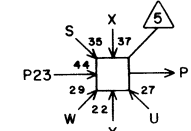
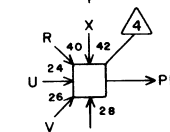
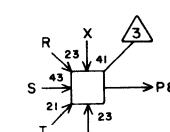
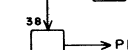
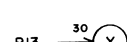
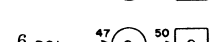
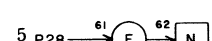
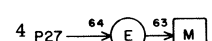
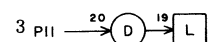
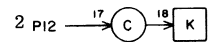
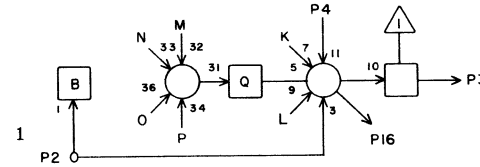
KC

8G29

1			
2	J14	3	21
3	G31	11	5
4	J14	6	21
5			
6			
7			
8	G32	25	7
9			
10			
11	J14	19	21
12	J14	26	23
13	G31	6	5
14	G32	12	7
15			
16			
17			
18	G32	11	7
19			
20			
21	J15	26	21
22			
23			
24			
25	J15	19	19
26			
27	J15	6	19
28	J15	3	19

JACK PIN LG

SHIFT ALL ZERO'S TEST
(NORMALIZE)



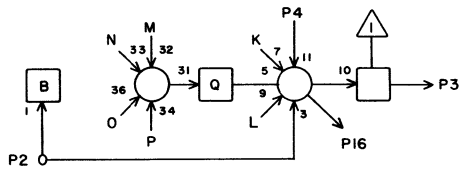
KC

8G30

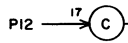
1			
2	J12	3	23
3	G31	12	5
4	J12	6	23
5			
6			
7			
8	G32	15	7
9			
10			
11	J12	19	23
12	J12	26	23
13	G31	9	5
14	G32	14	7
15			
16			
17			
18	G32	13	7
19			
20			
21	J13	26	23
22			
23			
24			
25	J13	19	23
26			
27	J13	6	21
28	J13	3	21

JACK PIN LG

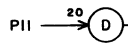
SHIFT ALL ZERO'S TEST
(NORMALIZE)



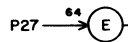
GROUP 6



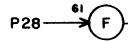
GROUP 5



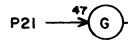
GROUP 4



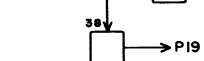
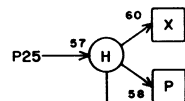
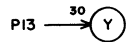
GROUP 3



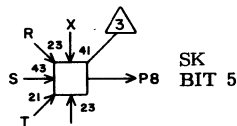
GROUP 2



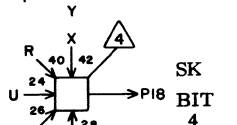
GROUP 1



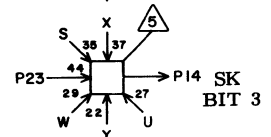
TO GROUP 1



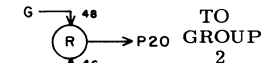
SK BIT 5



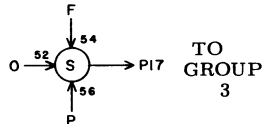
SK BIT 4



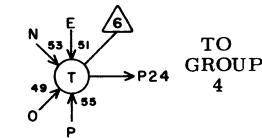
SK BIT 3



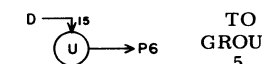
TO GROUP 2



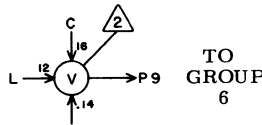
TO GROUP 3



TO GROUP 4



TO GROUP 5



TO GROUP 6

KC 8G31

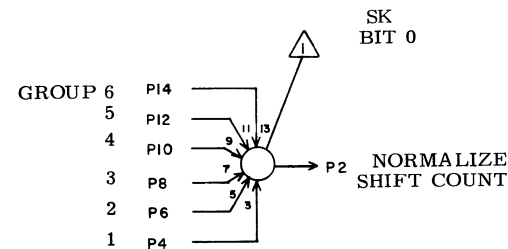
1			
2			
3			
4			
5			
6	G29	13	5
7			
8	L11	7	29
9	G30	13	5
10			
11	G29	3	5
12	G30	3	5
13	G33	11	7
14	L10	7	29
15			
16	G31	23	5
17	G27	13	7
18	L11	8	29
19	G25	13	9
20	G26	13	7
21	G26	3	7
22			
23	G31	16	5
24	G28	13	7
25	G25	3	9
26			
27	G28	3	7
28	G27	3	7

JACK PIN LG

TA 8G32

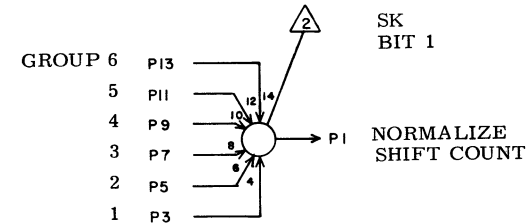
1	G33	2	3
2	G33	1	5
3	G25	18	11
4	G25	14	11
5	G26	18	9
6	G26	14	9
7	G27	18	9
8	G27	14	9
9	G28	18	9
10	G28	14	9
11	G29	18	7
12	G29	14	7
13	G30	18	7
14	G30	14	7
15	G30	8	7
16	I20	13	17
17	G25	8	11
18	I20	2	17
19	G26	8	9
20	I20	28	17
21	G27	8	9
22	I20	15	17
23	G28	8	9
24			
25	G29	8	7
26			
27	G33	21	5
28	H 6	22	27

JACK PIN LG



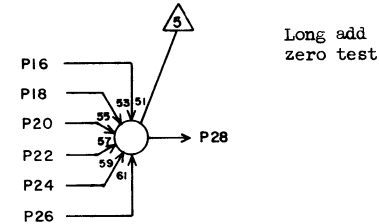
SK BIT 0

NORMALIZE SHIFT COUNT

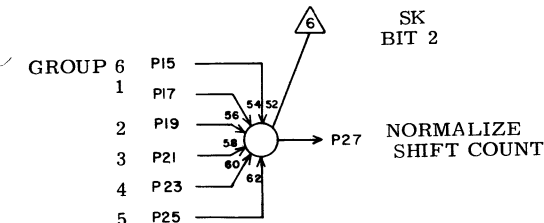


SK BIT 1

NORMALIZE SHIFT COUNT

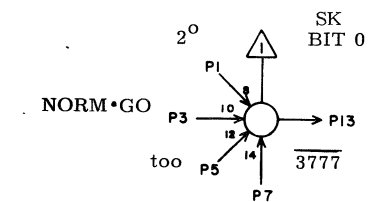


Long add zero test

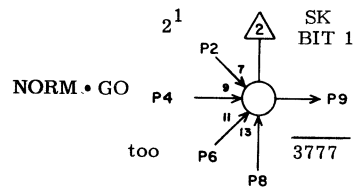


SK BIT 2

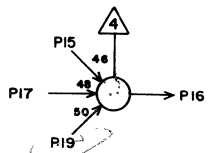
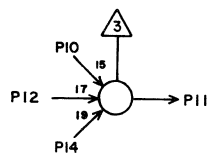
NORMALIZE SHIFT COUNT



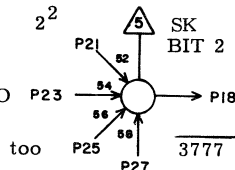
Normalize to shift count



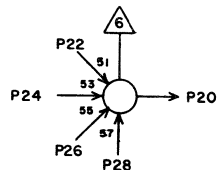
NORMALIZE TO SHIFT COUNT



Normalize & go shift



Normalize to shift count



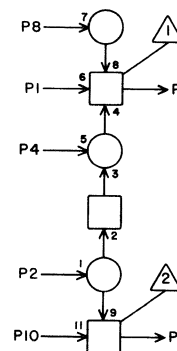
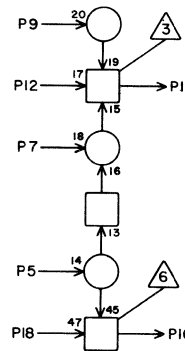
Norm & Xk & Xmit resume

TI 8G33

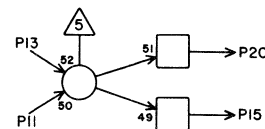
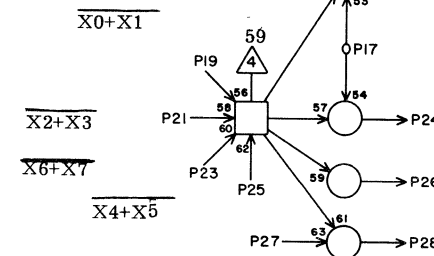
1	G32	2	5
2	G32	1	3
3	J23	24	120
4	J23	26	120
5	N06	1	43
6	N06	4	43
7	C24	2	21
8	C24	4	21
9	L09	7	31
10	B23	24	23
11	G31	13	7
12	N06	2	37
13	L09	8	31
14	C24	8	43
15	G16	22	19
16	H20	28	120
17	I23	8	15
18	L10	8	29
19	H25	27	120
20	F14	28	21
21	G32	27	5
22			
23	J23	22	120
24	E14	7	23
25	N06	3	37
26	I23	5	15
27	C24	6	25
28	P25	23	35

JACK PIN LG

63017200 Rev. H



ADD TRUNK (X_k)

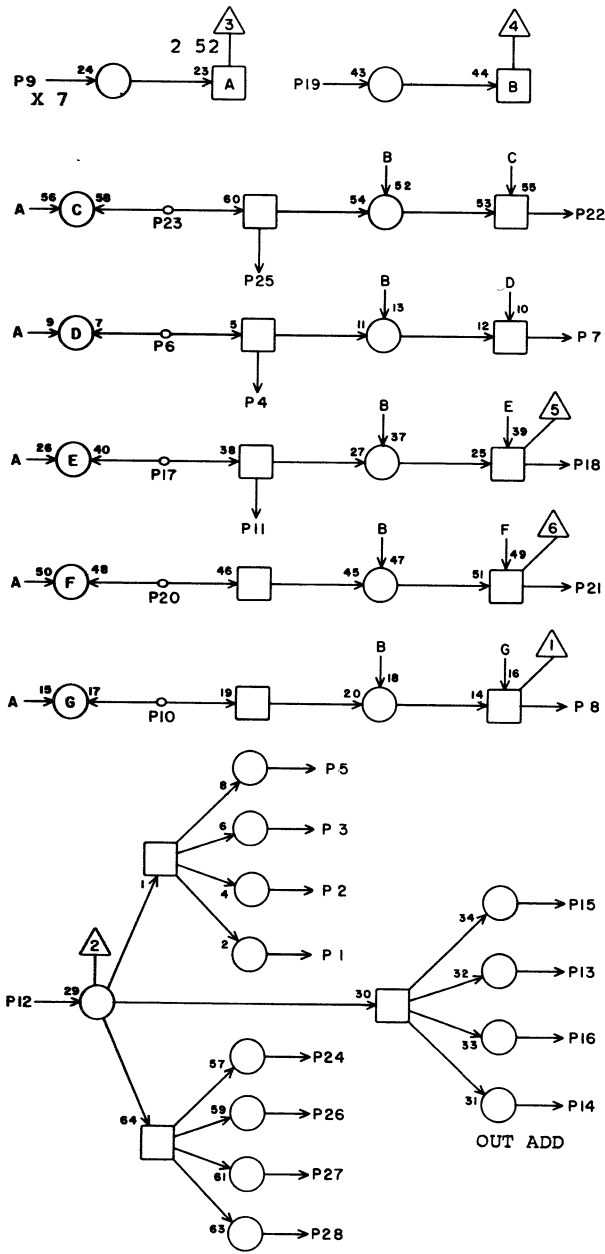


RS 8G34

1	H19	18	19
2	G19	13	17
3	I06	2	29
4	G19	6	17
5	G20	13	17
6	I05	2	31
7	G20	6	17
8	G19	16	17
9	G20	16	17
10	H19	17	19
11	A26	24	25
12	H19	26	19
13	G18	16	19
14	I09	2	27
15			
16	I08	2	27
17	J23	12	21
18	H19	21	19
19	D36	4	17
20	J23	13	21
21	D36	16	17
22	J22	12	21
23	D36	18	17
24	J21	12	21
25	D36	15	17
26	B24	17	39
27	E08	2	29
28	L08	26	31

JACK PIN LG

63017200 Rev. E

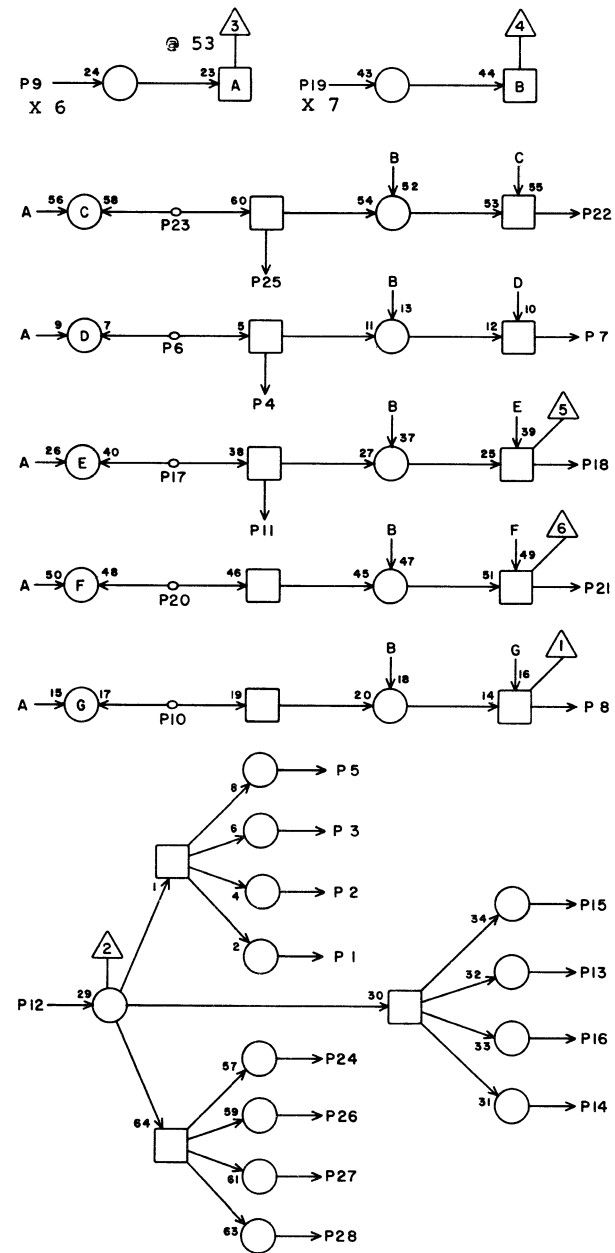


RJ 8G 35

1	B27	17	23
2	B28	17	23
3	B29	17	23
4	G36	10	5
5	B30	17	21
6	D38	24	15
7	D29	9	17
8	F10	24	29
9	F27	12	13
10	G36	4	5
11	G36	17	5
12	F07	7	27
13	B31	17	23
14	B32	17	23
15	B33	17	23
16	B34	17	23
17	E42	24	13
18	B10	24	31
19	F21	12	17
20	G36	25	5
21	D10	24	29
22	C29	9	21
23	C40	24	19
24	B35	17	23
25	G36	20	5
26	B36	17	23
27	B37	17	23
28	B38	17	23

JACK PIN LG

63017200 Rev. E

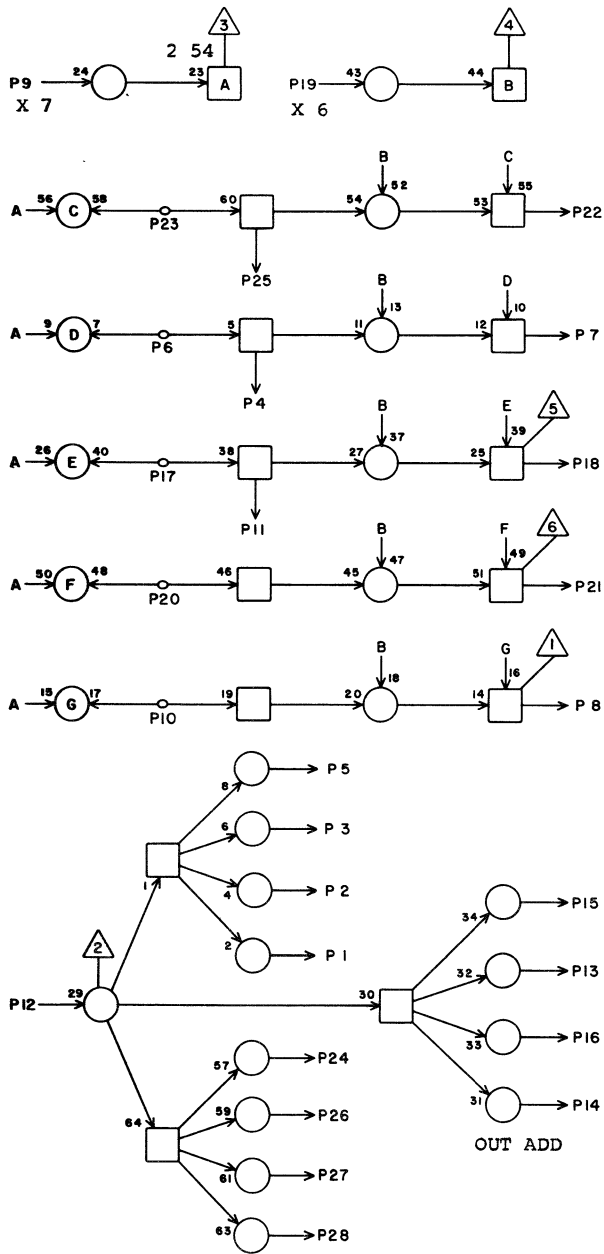


RJ 8G 36

1	B39	17	21
2	B40	17	21
3	B41	17	21
4	G35	10	5
5	B42	17	23
6	E38	24	11
7	F10	22	27
8	D30	9	15
9	F21	10	17
10	G35	4	5
11			
12	F04	1	120
13	D29	17	17
14	D30	17	15
15	D31	17	15
16	D32	17	15
17	G35	11	5
18	B10	22	33
19	F27	10	13
20	G35	25	5
21	C30	9	21
22	D10	22	29
23	D42	24	17
24	D33	17	15
25	G35	20	5
26	D34	17	15
27	D35	17	15
28	D36	17	15

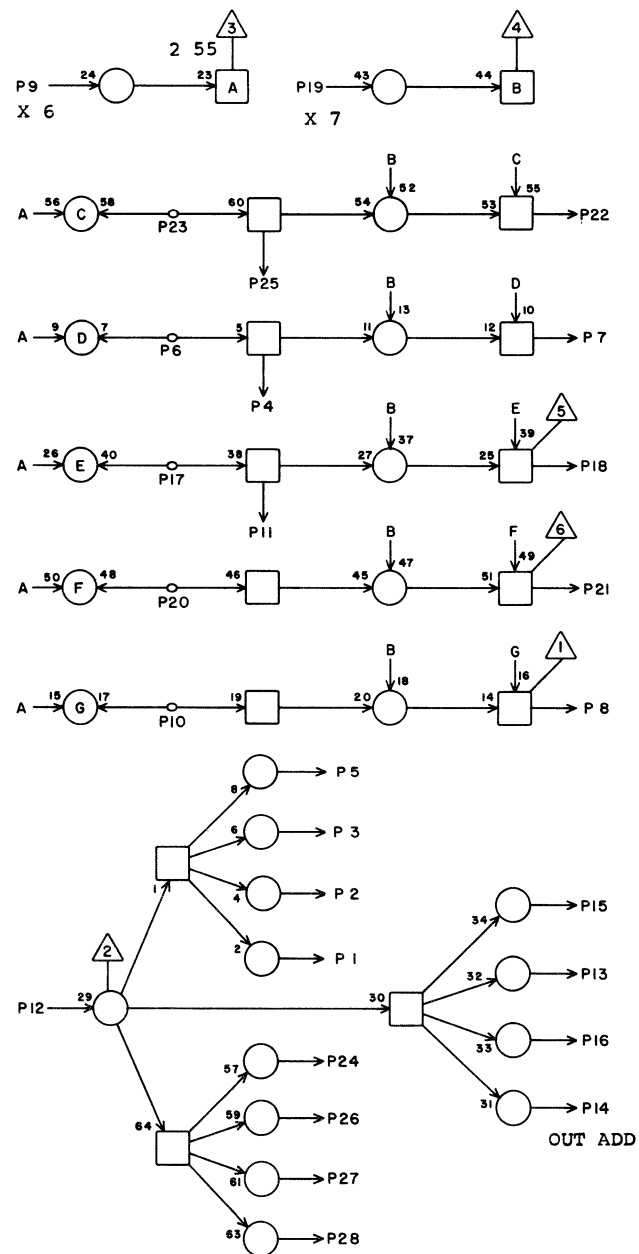
JACK PIN LG

63017200 Rev. E



RJ		8G 37	
JACK	PIN	LG	
1	B27	11	23
2	B28	11	23
3	B29	11	23
4	G38	10	5
5	B30	11	23
6	D38	26	13
7	D31	9	17
8	F11	8	27
9	F27	20	13
10	G38	4	5
11	G38	17	5
12	F07	9	29
13	B31	11	23
14	B32	11	23
15	B33	11	23
16	B34	11	23
17	E42	26	13
18	B11	8	33
19	F21	20	19
20	G38	25	5
21	D11	8	29
22	C31	9	21
23	C40	26	19
24	B35	11	23
25	G38	20	5
26	B36	11	23
27	B37	11	23
28	B38	11	23

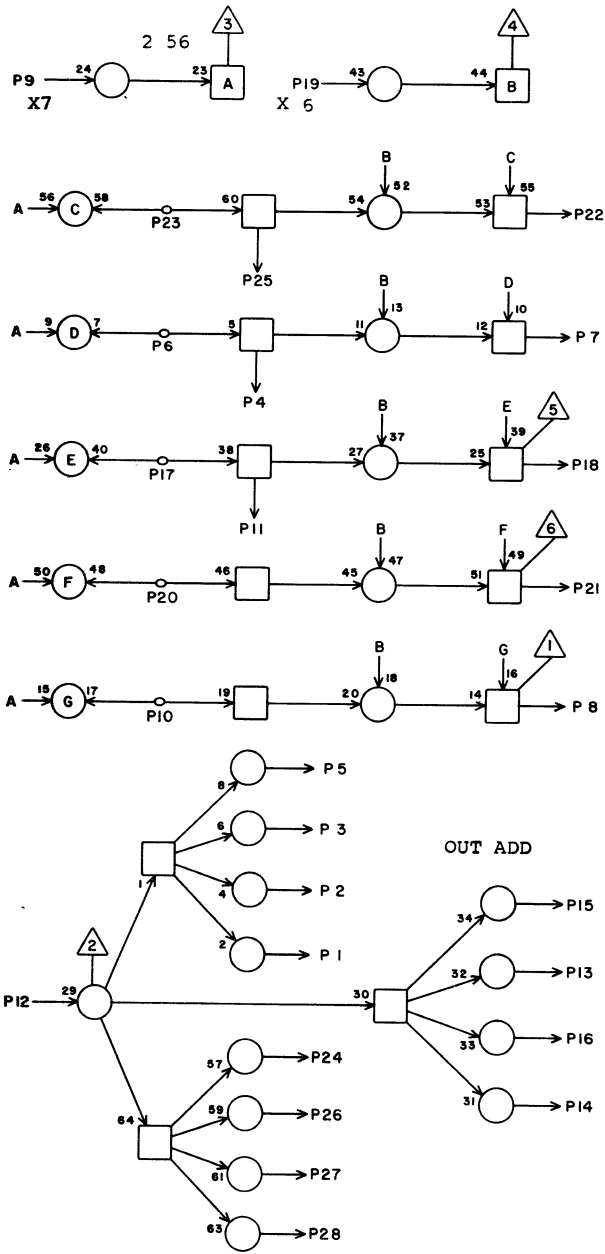
63017200 Rev. E



8G38

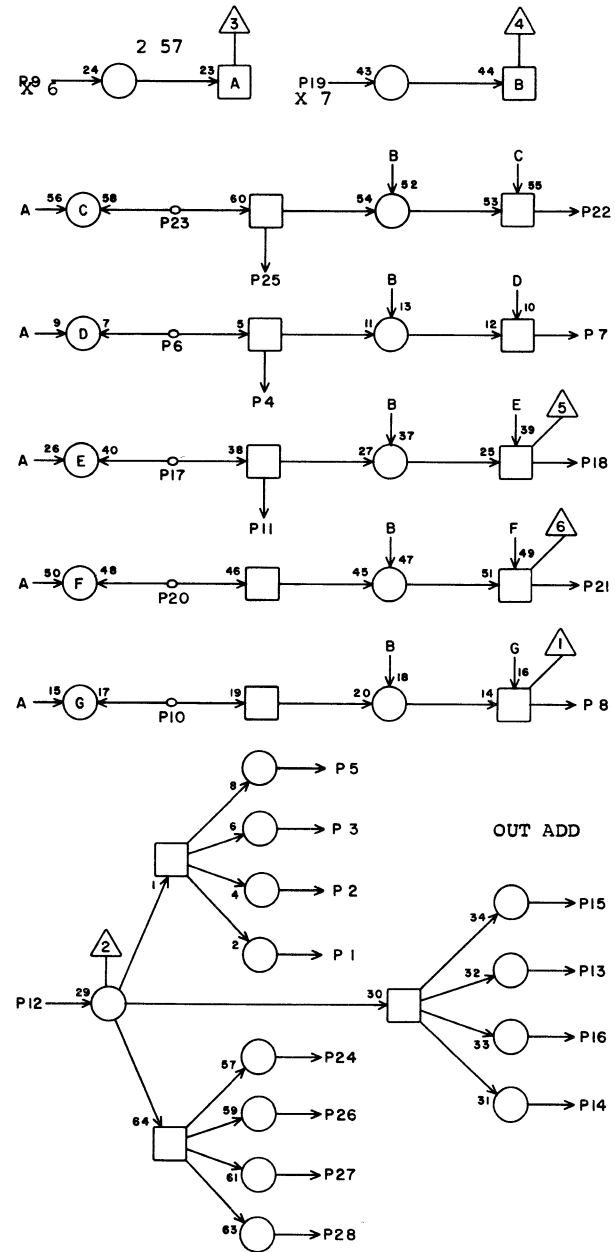
RJ		8G 38	
JACK	PIN	LG	
1	B39	11	21
2	B40	11	21
3	B41	11	21
4	G37	10	5
5	B42	11	23
6	E38	26	9
7	F11	24	27
8	D32	9	15
9	F21	19	19
10	G37	4	5
11			
12	F04	20	120
13	D29	11	17
14	D30	11	17
15	D31	11	17
16	D32	11	17
17	G37	11	5
18	B11	24	33
19	F27	19	15
20	G37	25	5
21	C32	9	21
22	D11	24	29
23	D42	26	15
24	D33	11	17
25	G37	20	5
26	D34	11	17
27	D35	11	17
28	D36	11	17

63017200 Rev. E



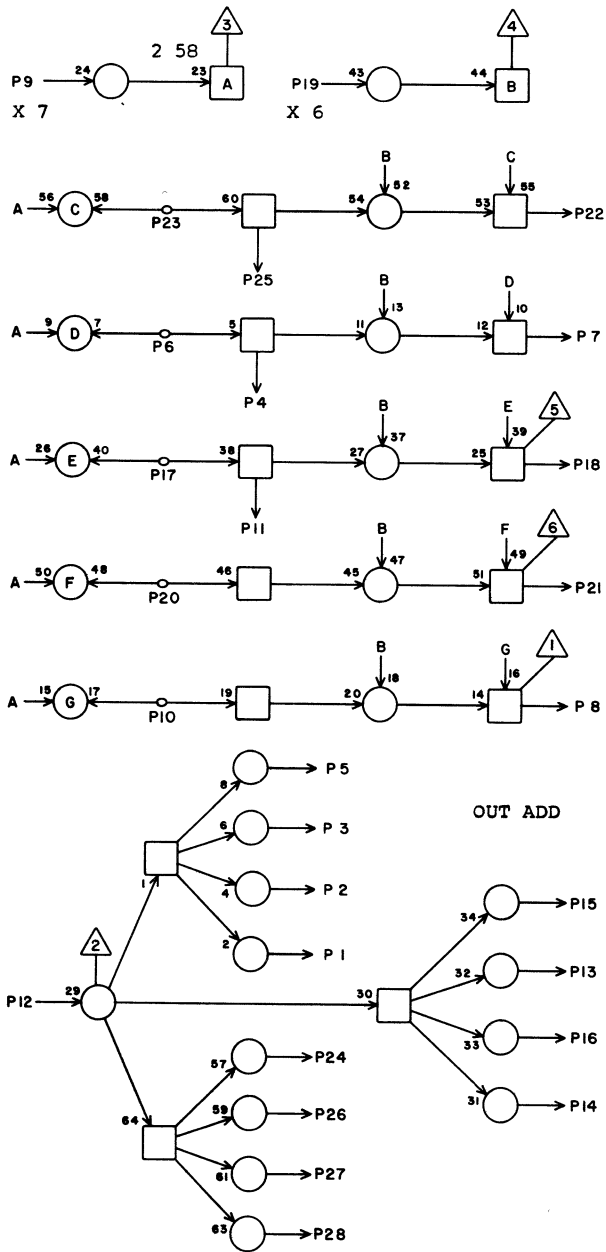
RJ		8G 39	
1	B27	12	25
2	B28	12	23
3	B29	12	23
4	G40	10	5
5	B30	12	23
6	D38	27	13
7	D33	9	17
8	F11	22	29
9	F28	12	15
10	G40	4	5
11	G40	17	5
12	F07	11	31
13	B31	12	23
14	B32	12	23
15	B33	12	23
16	B34	12	23
17	E42	27	11
18	B11	22	33
19	F22	12	17
20	G40	25	5
21	D11	22	29
22	C33	9	21
23	C40	27	19
24	B35	12	23
25	G40	20	5
26	B36	12	23
27	B37	12	23
28	B38	12	23
	JACK	PIN	LG

63017200 Rev. E



RJ		8G 40	
1	B39	12	21
2	B40	12	21
3	B41	12	21
4	G39	10	5
5	B42	12	23
6	E38	27	9
7	F12	8	29
8	D34	9	15
9	F22	10	19
10	G39	4	5
11			
12	F04	4	120
13	D29	12	19
14	D30	12	19
15	D31	12	17
16	D32	12	17
17	G39	11	5
18	B12	8	35
19	F28	10	15
20	G39	25	5
21	C34	9	21
22	D12	8	31
23	D42	27	15
24	D33	12	17
25	G39	20	5
26	D34	12	17
27	D35	12	17
28	D36	12	17
	JACK	PIN	LG

63017200 Rev. E

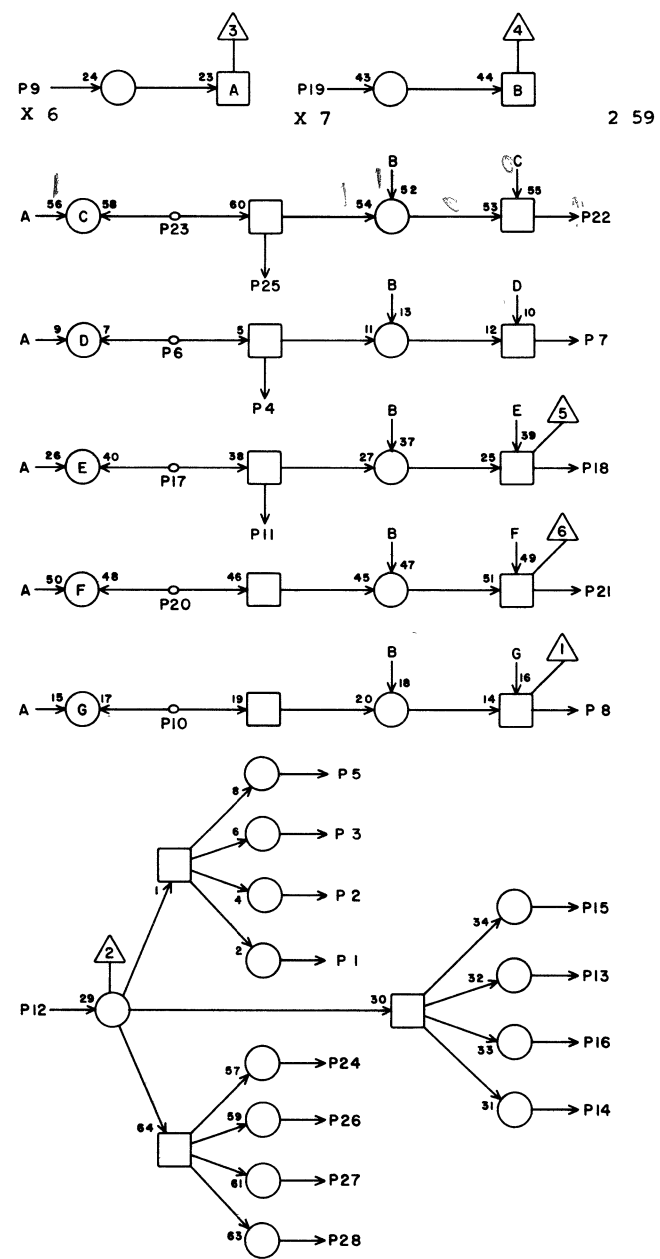


RJ 8G 41

1	B27	21	25
2	B28	21	23
3	B29	21	23
4	G42	10	5
5	B30	21	23
6	D38	28	13
7	D35	9	17
8	F12	24	29
9	F28	20	15
10	G42	4	5
11	G42	17	5
12	F07	13	33
13	B31	21	23
14	B32	21	23
15	B33	21	23
16	B34	21	23
17	E42	28	11
18	B12	24	33
19	F22	20	21
20	G42	25	5
21	D12	24	31
22	C35	9	21
23	C40	28	19
24	B35	21	23
25	G42	20	5
26	B36	21	23
27	B37	21	23
28	B38	21	23

JACK PIN LG

63017200 Rev. E



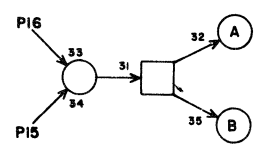
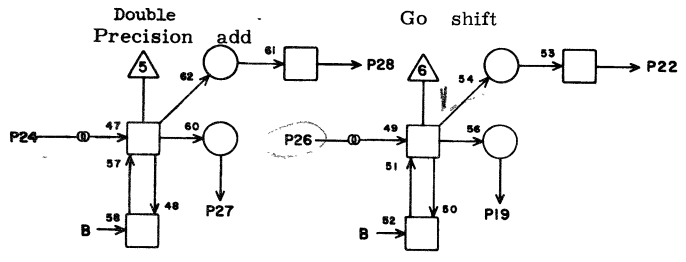
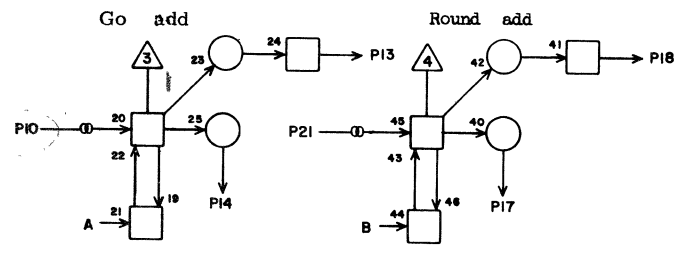
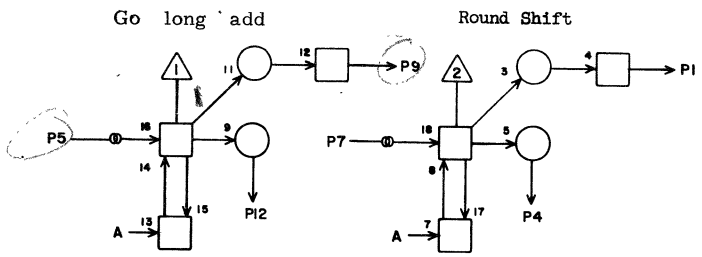
8G42

RJ 8G 42

1	B39	21	21
2	B40	21	21
3	B41	21	21
4	G41	10	5
5	B42	21	21
6	E38	28	11
7	F12	22	29
8	D36	9	15
9	F22	19	21
10	G41	4	5
11			
12	F04	28	120
13	D29	21	19
14	D30	21	19
15	D31	21	19
16	D32	21	17
17	G41	11	5
18	B12	22	35
19	F28	19	17
20	G41	25	5
21	C36	9	19
22	D12	22	31
23	D42	28	15
24	D33	21	17
25	G41	20	5
26	D34	21	17
27	D35	21	17
28	D36	21	17

JACK PIN LG

63017200 Rev. E

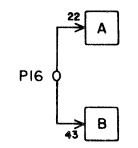
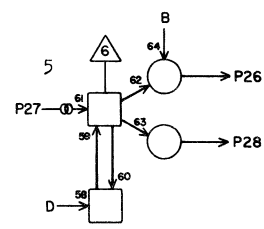
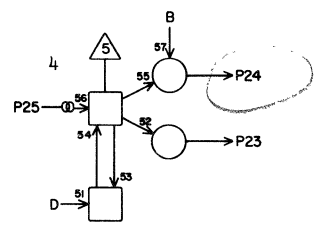
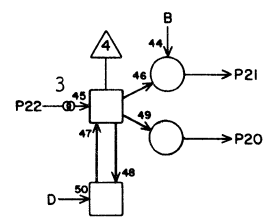
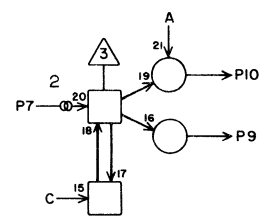
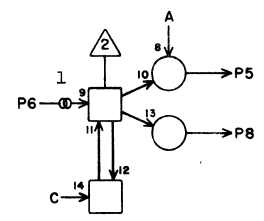
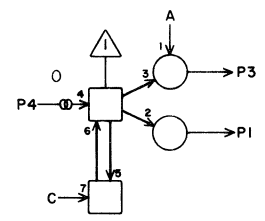


PI 8H01

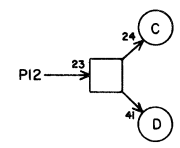
1			
2			
3			
4	E18	16	23
5	W12	90	
6			
7	W12	900	
8			
9	J23	14	120
10	W12	91	
11			
12			
13	F28	14	27
14			
15	H10	26	13
16	H01	X	2
17	E19	14	23
18			
19	A26	20	37
20			
21	W12	93	
22	F28	16	29
23			
24	W12	94	
25			
26	W12	907	
27	E19	16	23
28			

JACK PIN LG

SHIFT jk INPUT REG.



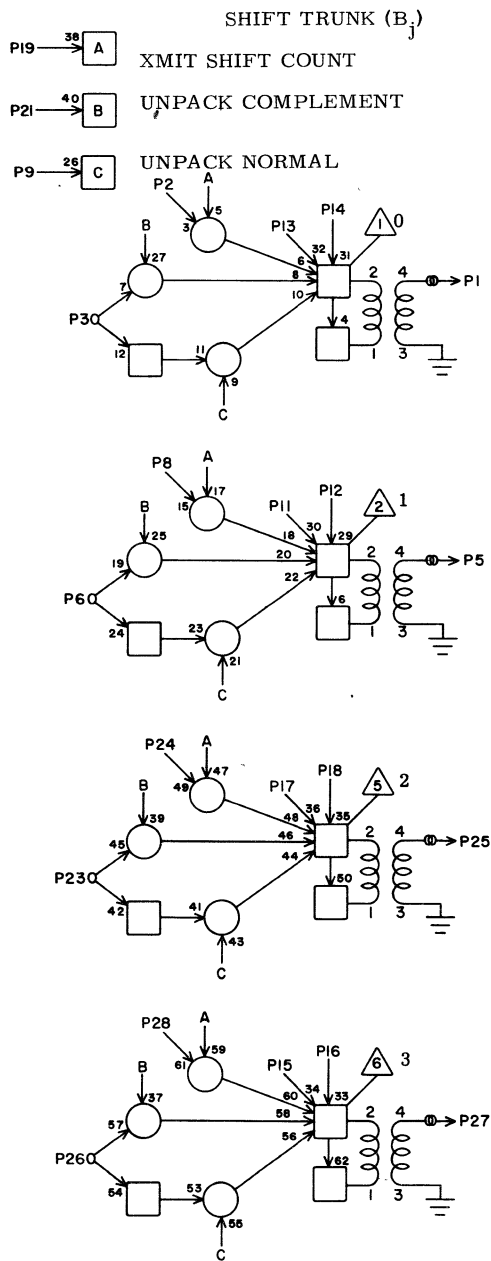
Shift jk / 43



IT 8H02

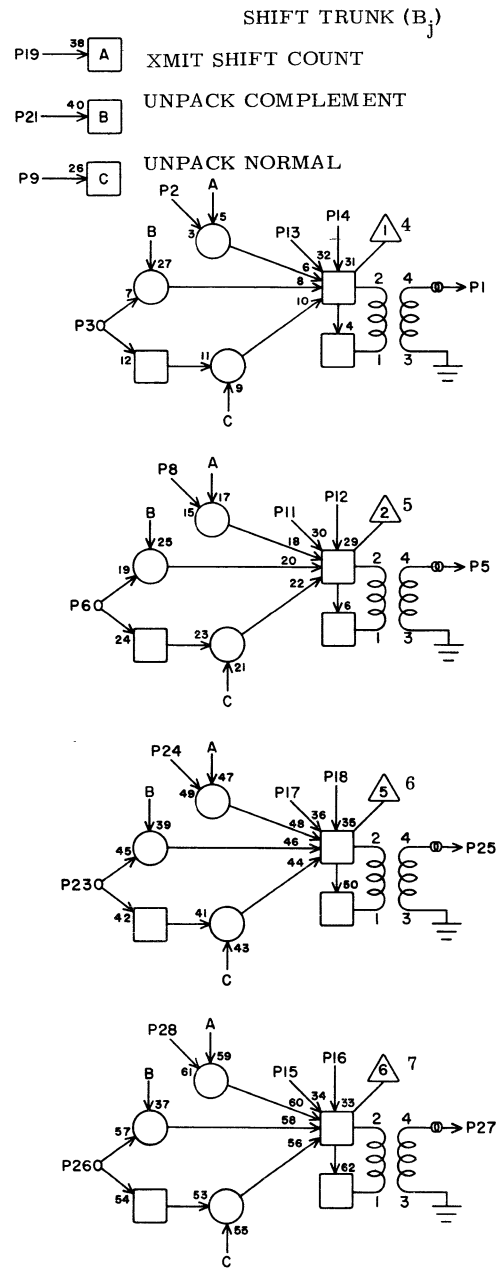
1			
2			
3	L09	6	21
4	W22	92	
5	L09	5	21
6	W22	93	
7	W22	94	
8			
9			
10	L10	6	19
11			
12	H26	7	23
13			
14			
15			
16	A25	23	35
17			
18			
19			
20			
21	L10	5	19
22	W22	95	
23			
24	L11	6	21
25	W22	96	
26	L11	5	21
27	W22	97	
28			

JACK PIN LG



MR		8 H 03	
1	W30	90	
2	I18	7	19
3	L14	6	23
4			
5	W30	91	
6	L14	7	23
7			
8	I18	11	19
9	F14	2	17
10			
11			
12			
13			
14			
15			
16			
17			
18			
19	J20	15	35
20			
21	M06	1	21
22			
23	L14	22	21
24	I18	10	17
25	W30	92	
26	L14	23	31
27	W30	93	
28	I18	17	19
	JACK	PIN	LG

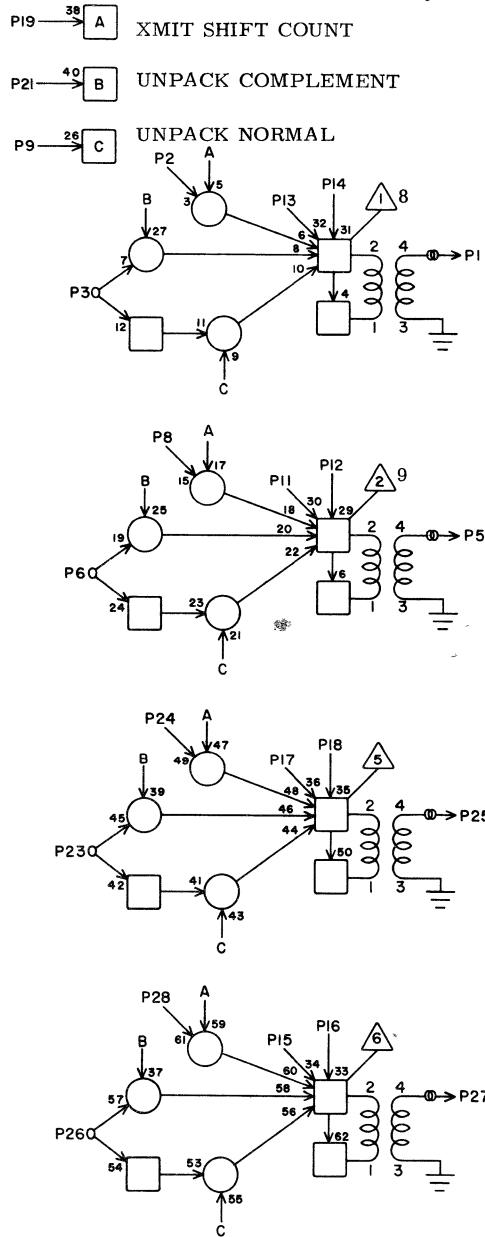
63017200 Rev. E



MR		8 H 04	
1	W30	94	
2	I18	20	17
3	L15	6	23
4			
5	W30	95	
6	L15	7	23
7			
8	I18	15	17
9	F14	4	15
10			
11			
12			
13			
14			
15			
16			
17			
18			
19	J20	16	35
20			
21	M06	2	21
22			
23	L15	22	21
24	K05	27	17
25	W30	96	
26	L15	23	23
27	W30	97	
28	K04	27	15
	JACK	PIN	LG

63017200 Rev. E

SHIFT TRUNK (B_j)



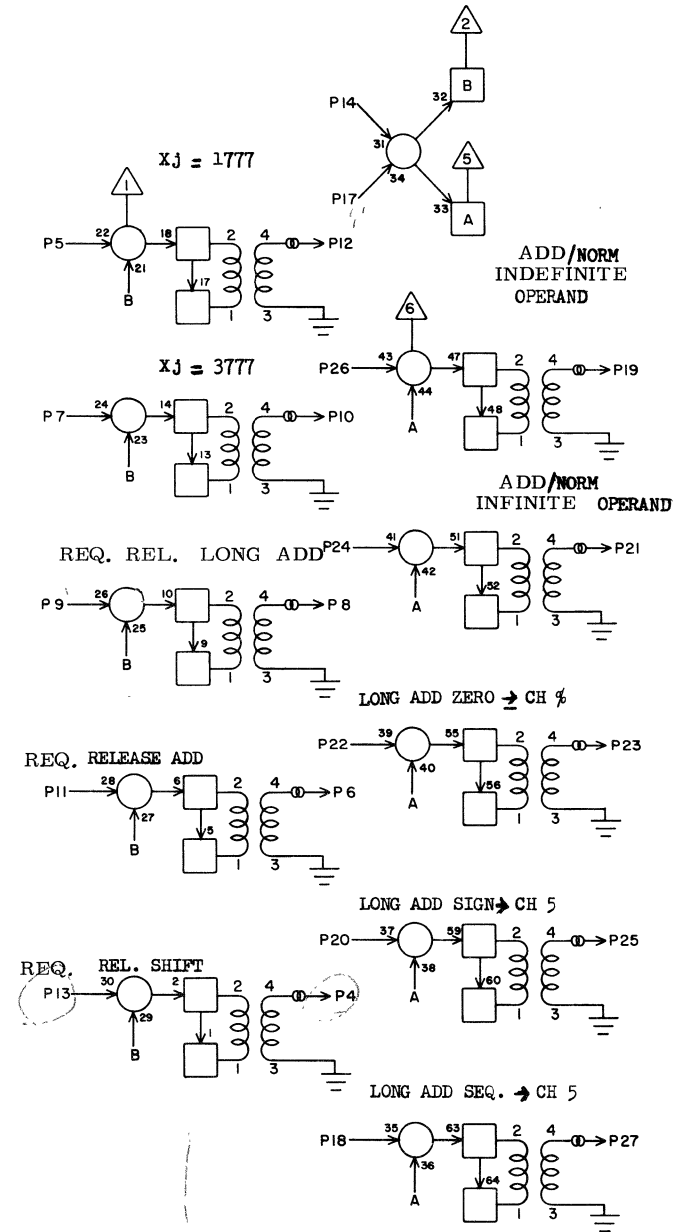
MR 8H 05

1	W30	98	
2			
3	L16	6	23
4			
5	W30	99	
6	L16	7	23
7			
8			
9	F14	7	15
10			
11			
12			
13			
14			
15			
16			
17			
18			
19			
20			
21	MO6	3	21
22			
23			
24			
25			
26			
27			
28			

JACK PIN LG

63017200 Rev. E

JQ 8H 06

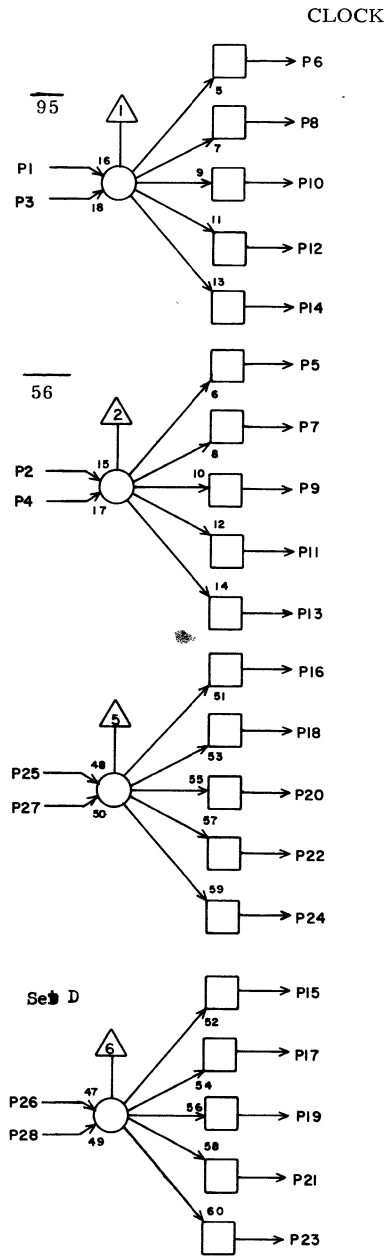


8H06

1			
2			
3			
4	W12	904	
5	F17	15	15
6	W22	98	
7	F17	11	17
8	W12	906	
9	J23	11	21
10	W13	901	
11	J23	20	21
12	W13	900	
13	I25	11	21
14	I21	5	60
15			
16			
17			
18	E28	11	27
19	W18	908	
20	G15	27	120
21	W19	908	
22	G32	28	27
23	W21	98	
24	O22	23	31
25	W21	99	
26	N30	23	33
27	W22	99	
28			

JACK PIN LG

63017200 Rev. AA

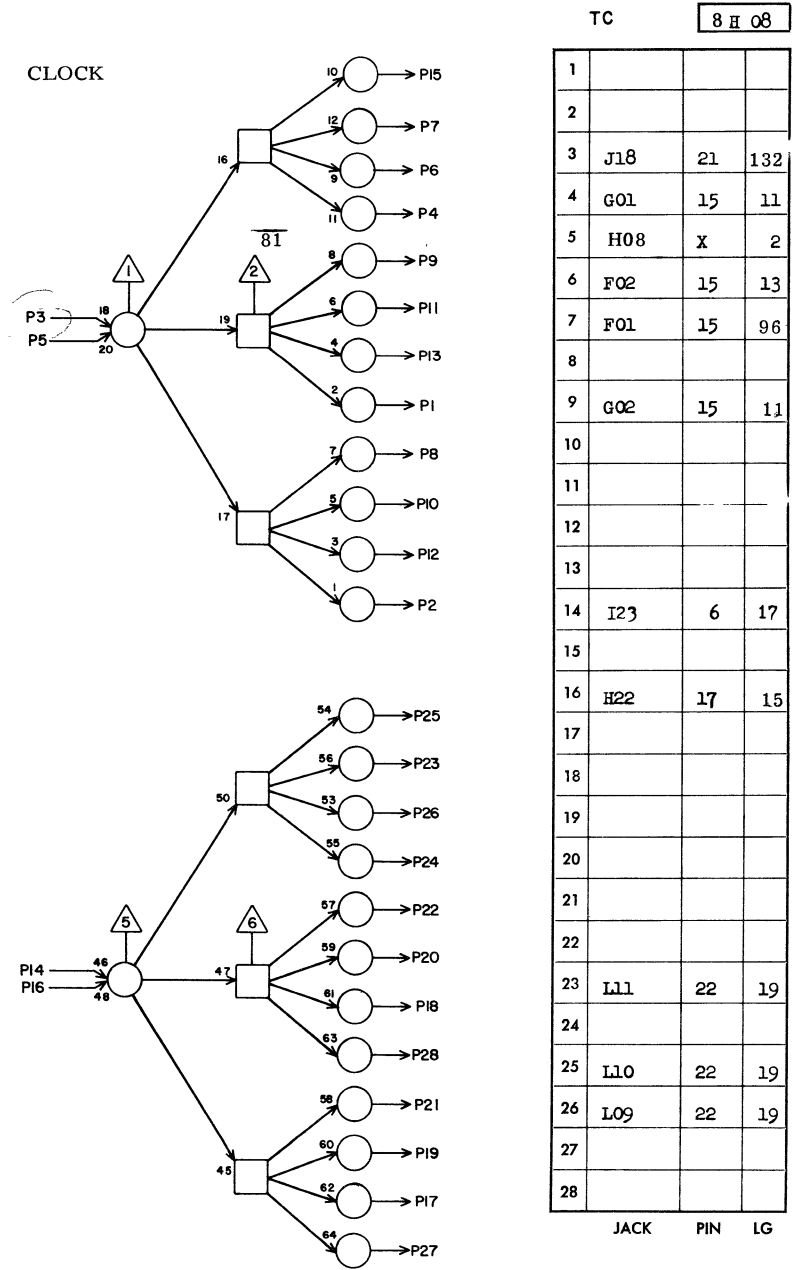


T D 8 H 07

1	H22	15	17
2	H22	13	96
3			
4	H07	X	2
5	D27	7	27
6	G03	3	9
7	D26	7	27
8	G03	14	9
9	D25	7	27
10	G04	3	9
11	D24	7	25
12	G04	14	9
13	D23	7	25
14	H 7	27	3
15	A19	17	31
16	G10	6	9
17	A20	17	31
18			
19	A21	17	31
20			
21	B19	17	29
22			
23	B20	17	29
24			
25	G02	18	11
26	B22	24	31
27	H 7	14	3
28			

JACK PIN LG

63017200 Rev. E

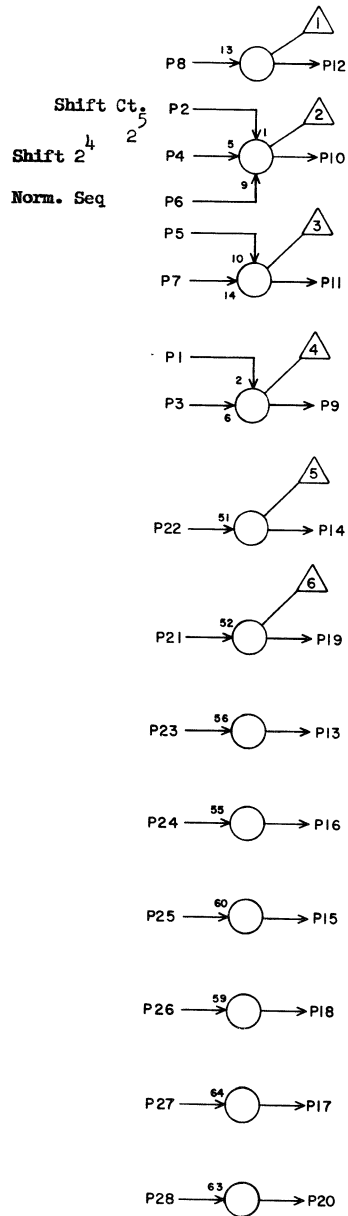


T C 8 H 08

1			
2			
3	J18	21	132
4	G01	15	11
5	H08	X	2
6	F02	15	13
7	F01	15	96
8			
9	G02	15	11
10			
11			
12			
13			
14	I23	6	17
15			
16	H22	17	15
17			
18			
19			
20			
21			
22			
23	L11	22	19
24			
25	L10	22	19
26	L09	22	19
27			
28			

JACK PIN LG

63017200 Rev. N



Add Sign - X Pyramid

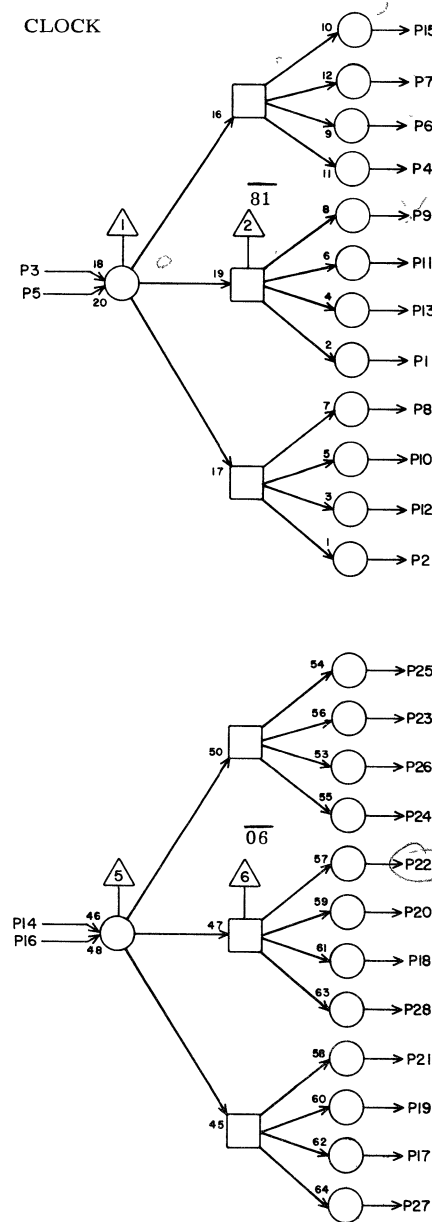
TL 8H 09

1	H09	16	5
2	N08	28	27
3	I18	24	13
4	H09	19	5
5	O31	17	35
6	F19	15	15
7	H20	11	13
8	E18	17	15
9	H09	21	5
10	H24	8	19
11	N29	21	31
12	O32	10	35
13	F25	18	19
14	Q26	21	39
15	O30	19	35
16	H09	1	5
17	O82	25	37
18	N30	21	33
19	H09	4	5
20	O32	23	37
21	H09	9	5
22	J20	11	19
23	M18	25	23
24	E18	15	17
25	E23	9	21
26	A22	23	31
27	R32	28	43
28	E20	11	19

JACK PIN LG

63017200 Rev. AB

CLOCK



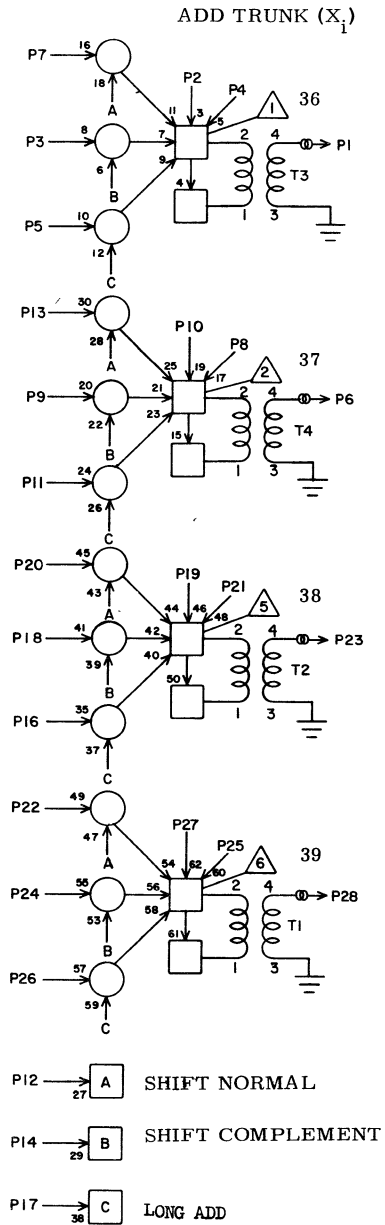
8H10

TC 8H 10

1	H21	4	60
2	M09	8	96
3	J18	15	15
4	J24	16	84
5			
6			
7			
8	H21	3	60
9			
10			
11			
12	M20	14	96
13			
14	J18	25	15
15	J23	16	96
16			
17	G16	16	72
18	D22	7	23
19	O32	5	120
20	I23	4	15
21	C17	7	25
22	I19	4	120
23	F28	18	21
24	B22	19	96
25	H24	2	84
26	H01	15	13
27	E17	18	21
28	D28	7	96

JACK PIN LG

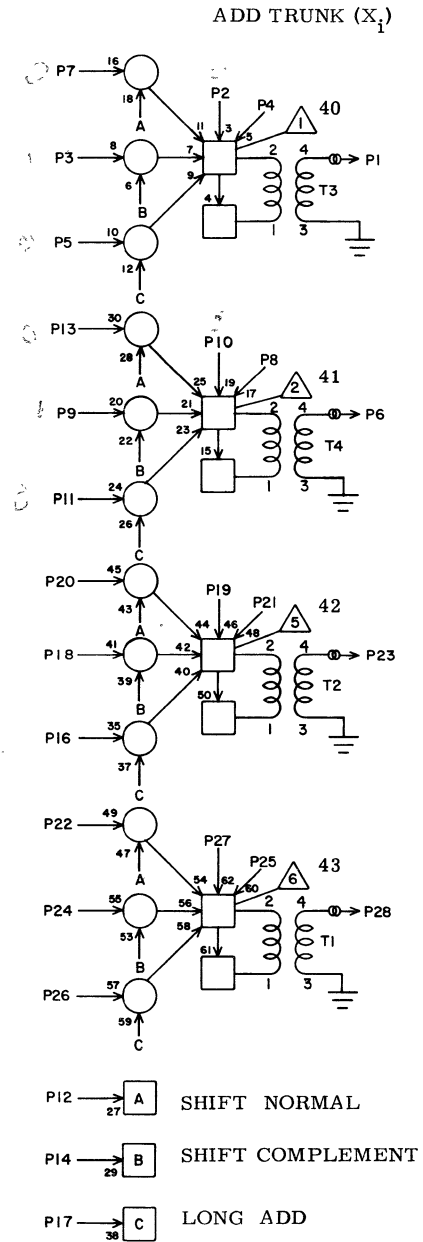
63017200 Rev.S



RM		8 H 11	
1	D01	2	21
2	R17	4	39
3	I13	12	9
4	R17	12	41
5	J32	28	23
6	D01	26	19
7	I13	14	9
8	R17	20	41
9	I13	16	9
10	R17	10	39
11	J32	22	23
12	N05	23	27
13	I13	24	9
14	N16	21	27
15			
16	J32	12	23
17	M06	23	23
18	I13	28	9
19	R17	22	39
20	I13	26	9
21	R17	28	41
22	I14	14	7
23	D02	2	23
24	I14	12	7
25	R18	2	39
26	J33	28	23
27	R17	26	39
28	D02	26	21

JACK PIN LG

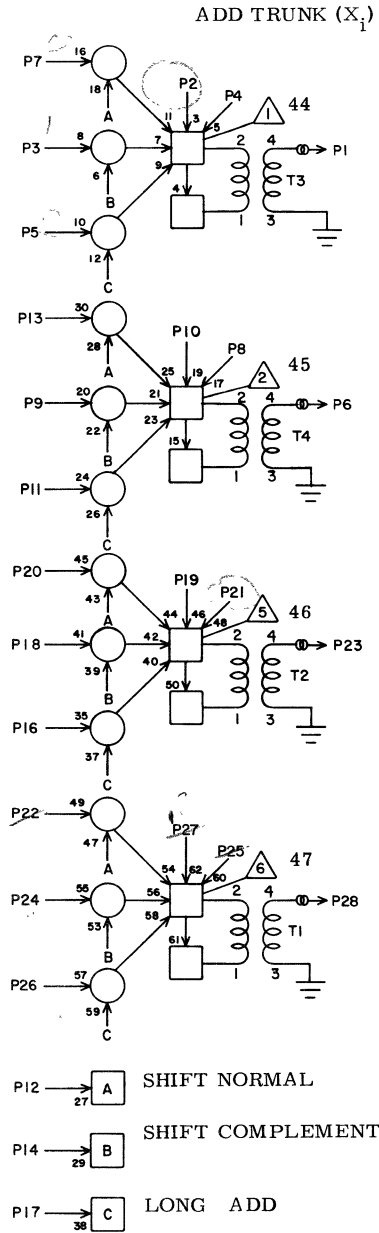
63017200 Rev. E;



RM		8 H 12	
1	D03	2	21
2	R18	4	39
3	I14	16	9
4	R18	12	41
5	J33	22	23
6	D03	26	19
7	I14	24	9
8	R18	20	41
9	I14	28	9
10	R18	10	39
11	J33	12	23
12	N05	21	27
13	I14	26	9
14	N16	22	27
15			
16	J34	28	23
17	M06	21	23
18	I15	12	9
19	R18	22	39
20	I15	14	7
21	R18	28	41
22	I15	24	9
23	D04	2	23
24	I15	16	7
25	R19	2	39
26	J34	22	25
27	R18	26	39
28	D04	26	21

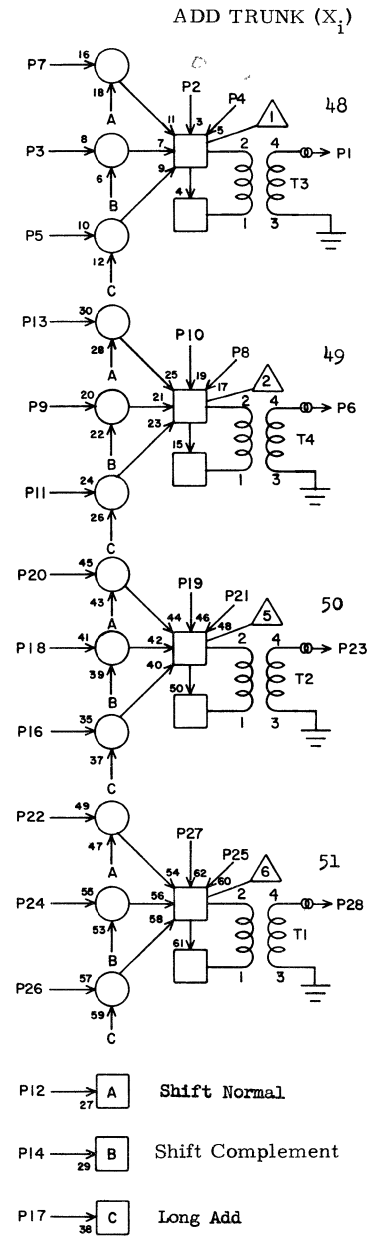
JACK PIN LG

63017200 Rev. E



RM		8H 13	
1	D05	2	21
2	R19	4	39
3	I15	28	9
4	R19	12	41
5	J34	12	25
6	D05	26	19
7	I15	26	9
8	R19	20	41
9	I01	9	15
10	R19	10	39
11	J35	28	23
12	N05	24	29
13	I01	7	15
14	N16	23	27
15			
16	J35	22	25
17	M06	24	25
18	I02	9	13
19	R19	22	39
20	I02	7	13
21	R19	28	41
22	I03	7	13
23	D06	2	21
24	I03	9	13
25	H24	1	15
26	J35	12	25
27	R19	26	39
28	D06	26	19

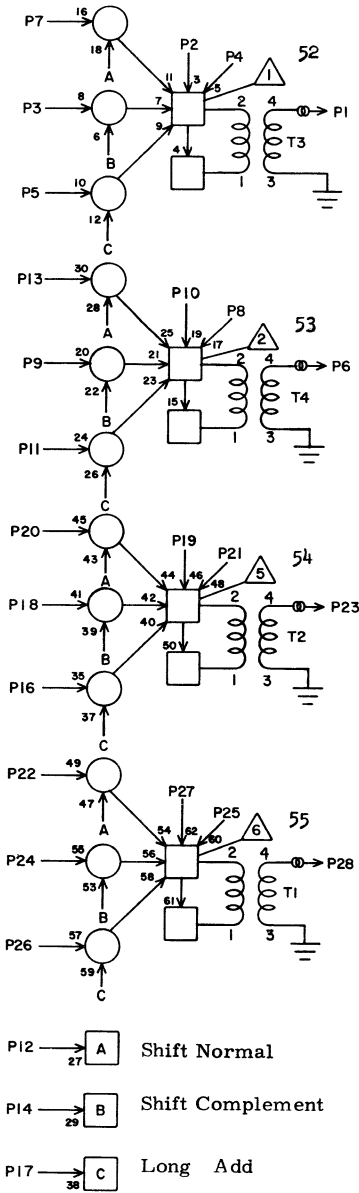
JACK PIN LG



RM		8H14	
1	D07	2	19
2	K27	23	21
3	I04	9	13
4	K27	21	21
5	J36	28	23
6	D07	26	19
7	I04	7	13
8	K27	22	21
9	I05	9	13
10	K27	20	19
11	J36	22	25
12	N09	1	25
13	I05	7	13
14	N16	1	25
15			
16	J36	12	25
17	M06	13	23
18	I06	9	11
19	K27	1	19
20	I06	7	11
21	K27	7	19
22	I07	7	11
23	D08	2	21
24	I07	9	11
25	K27	11	19
26	J37	28	25
27	K27	8	19
28	D08	26	19

JACK PIN LG

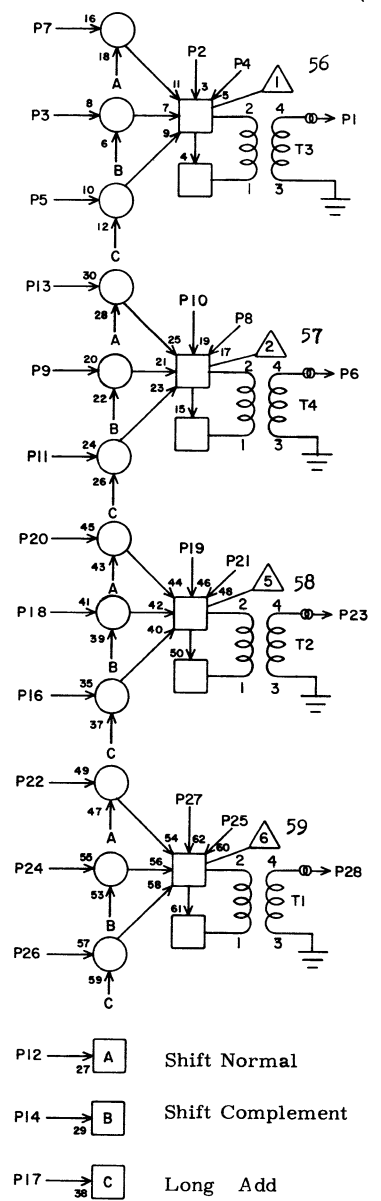
ADD TRUNK (X_i)



RM 8 H15

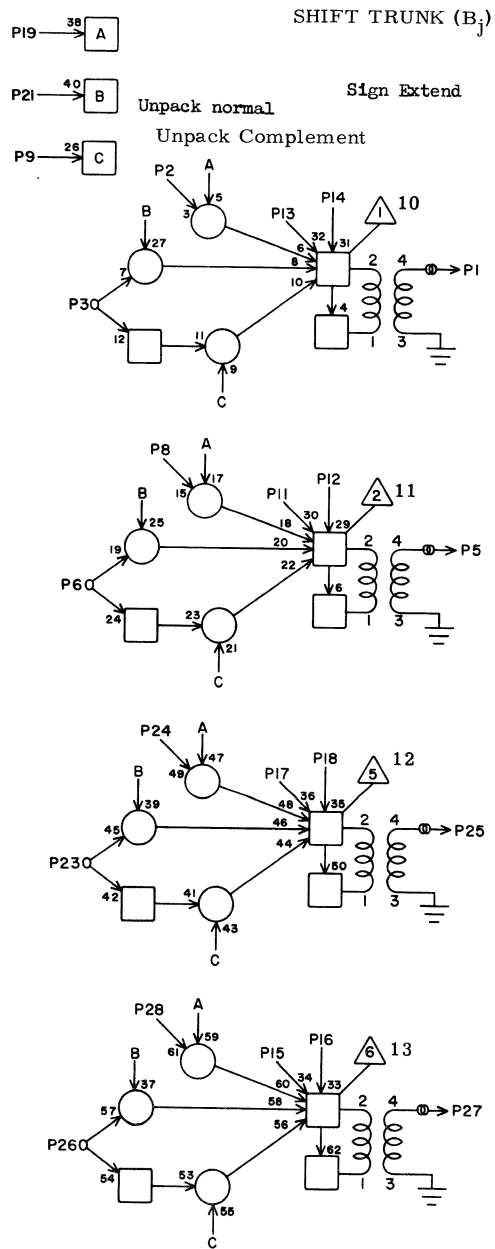
JACK	PIN	LG
1	E02	2 19
2	K28	23 21
3	I08	9 11
4	K28	21 21
5	J37	22 25
6	E02	26 19
7	I08	7 11
8	M28	22 27
9	I09	9 11
10	M28	20 27
11	J37	12 25
12	N09	2 25
13	I09	7 11
14	N16	2 25
15		
16	J38	28 25
17	M06	15 23
18	I10	9 9
19	K28	1 19
20	I10	7 9
21	K28	7 19
22	I11	7 7
23	E03	2 21
24	I11	9 7
25	K28	11 19
26	J38	22 25
27	K28	8 19
28	E03	26 19

ADD TRUNK (X_i)



RM 8 H16

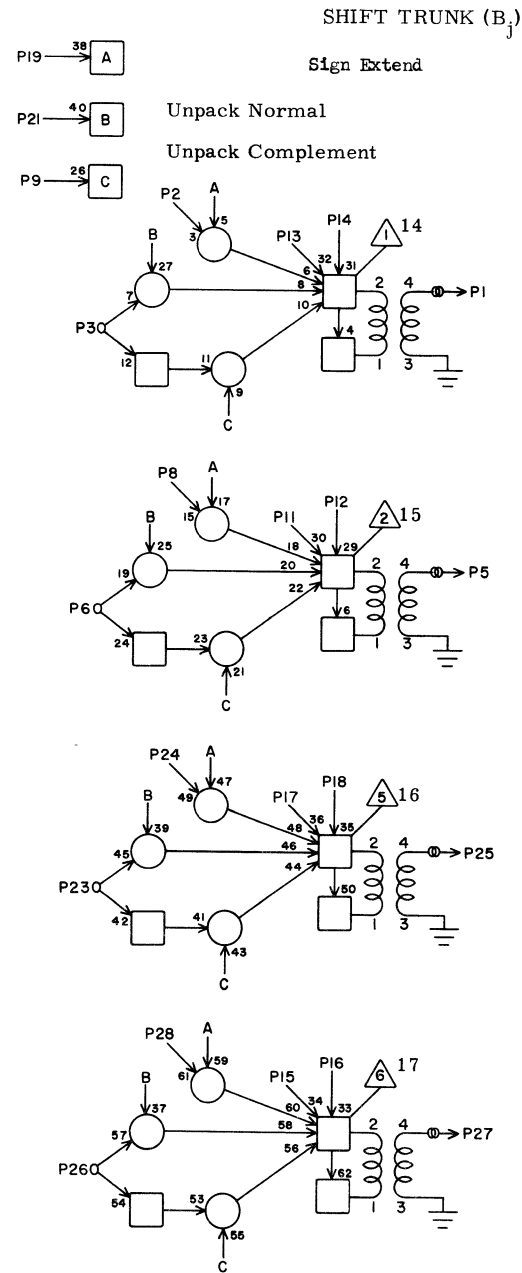
JACK	PIN	LG
1	E04	2 19
2	K28	22 21
3	I12	9 9
4	K28	20 21
5	J38	12 25
6	E04	26 17
7	I12	7 9
8	M28	23 27
9	I13	9 9
10	M28	21 27
11	J39	28 25
12	N09	3 25
13	I13	7 9
14	N16	3 25
15		
16	J39	22 25
17	M06	18 25
18	I14	9 7
19	M28	1 23
20	I14	7 7
21	M28	7 25
22	I15	7 7
23	E05	2 19
24	I15	9 7
25	K29	5 19
26	J39	18 25
27	F13	6 15
28	E05	26 19



MR 8H17

1	W30	900	
2			
3	H23	16	9
4			
5	W30	901	
6	H23	18	9
7			
8			
9	MO6	4	25
10			
11			
12			
13			
14			
15			
16			
17			
18			
19			
20			
21	F14	23	13
22			
23	H23	20	9
24			
25	W30	902	
26	H23	22	9
27	W30	903	
28			
	JACK	PIN	LG

63017200 Rev. E

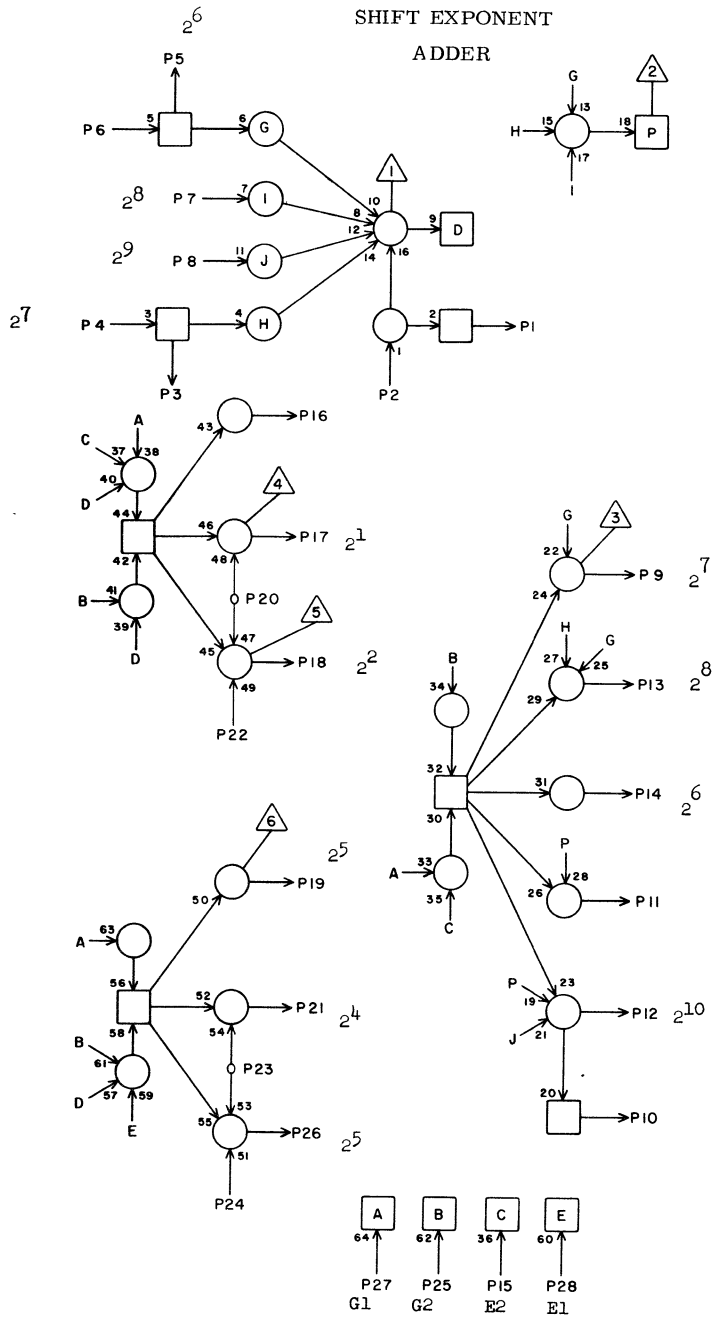


MR 8H18

1	W30	904	
2			
3	H23	17	9
4			
5	W30	905	
6	H23	19	9
7			
8			
9	MO6	5	25
10			
11			
12			
13			
14			
15			
16			
17			
18			
19			
20			
21	F14	24	13
22			
23	H23	21	7
24			
25	W30	906	
26	H23	24	7
27	W30	907	
28			
	JACK	PIN	LG

63017200 Rev. E

8H18

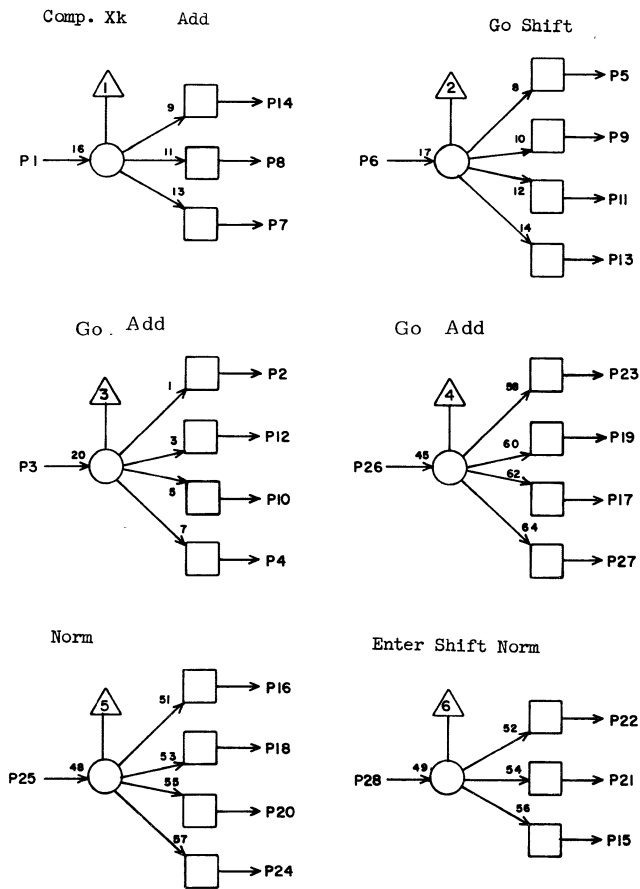


KQ 8H19

1	J02	24	23
2	L16	26	21
3	J02	17	21
4	L15	17	21
5	J01	17	23
6	L15	26	21
7	J01	26	23
8	J01	21	21
9	I11	2	13
10	I24	26	11
11	I13	2	11
12	I14	2	9
13	I12	2	11
14	I10	2	13
15	G20	14	9
16	I04	2	17
17	G34	10	19
18	G34	1	19
19	I07	2	15
20	G19	10	9
21	G34	18	19
22	G19	1	11
23	G20	10	9
24	G20	1	11
25	G20	18	9
26	G34	12	19
27	G19	18	9
28	G19	14	9

JACK PIN LG

63017200 Rev. E



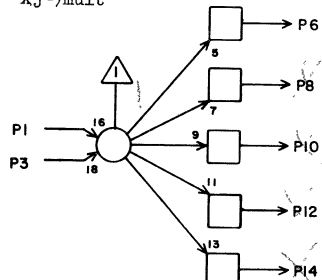
TH 8H20

1	M29	23	25
2	H20	26	5
3	F28	9	15
4	J23	18	15
5			
6	E19	9	15
7			
8	J22	16	13
9			
10	M18	7	23
11	H09	7	13
12	I25	3	9
13	G18	8	7
14	J21	16	13
15	L11	15	21
16	H21	25	5
17	M20	12	23
18	C20	5	21
19	J17	14	13
20	H21	26	120
21	L10	15	21
22	L09	15	21
23	M09	7	25
24	I19	23	9
25	G16	1	11
26	H20	2	5
27	C19	5	25
28	G33	16	120

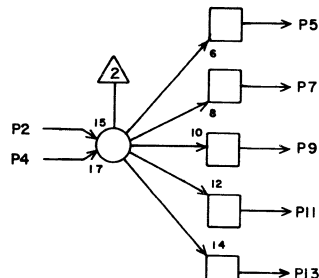
JACK PIN LG

63017200 Rev. T

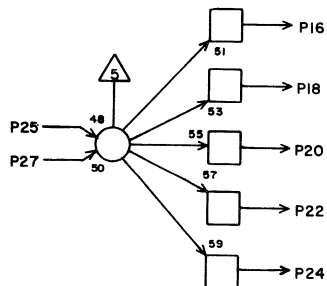
Xj → mult



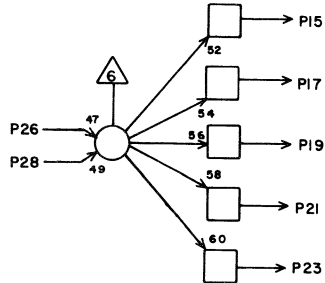
Xj → mult



Normalize
Shift Seq.



Norm



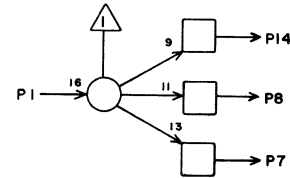
T D

8H21

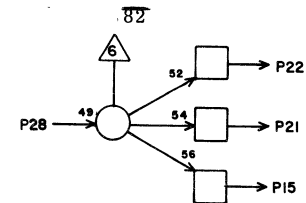
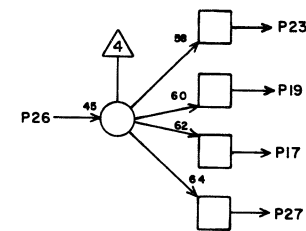
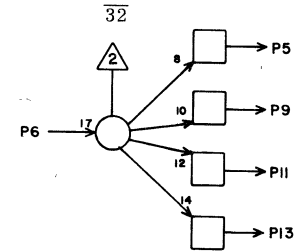
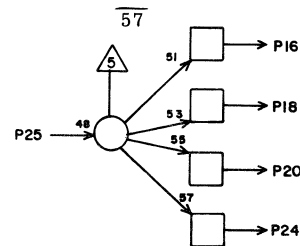
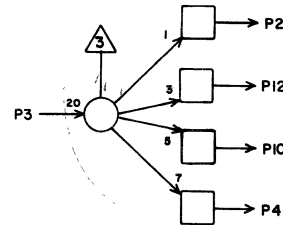
1	G01	18	21
2	F02	18	25
3	H10	8	60
4	H10	1	60
5	F05	6	96
6	G09	6	96
7			
8			
9			
10			
11			
12			
13			
14			
15	J01	27	23
16	J23	17	13
17	J01	20	23
18	O25	19	29
19	J01	18	23
20	O28	21	31
21	J02	27	23
22	G17	6	11
23	J02	18	23
24			
25	H20	16	5
26	H20	20	120
27	I23	14	7
28			

JACK PIN LG

63017200 Rev. AD



Pack B_j → X_j



T H

8H22

1	F20	15	9
2	G18	7	7
3	I19	16	11
4			
5	G12	14	60
6	I21	1	7
7	O32	26	33
8			
9	M06	14	27
10			
11			
12	M19	14	120
13	H07	2	96
14	O30	21	31
15	H07	1	17
16	H23	5	5
17	H08	16	15
18			
19	J06	9	21
20			
21			
22			
23	J05	9	21
24			
25	I21	28	9
26	G16	9	9
27	J04	9	19
28	I21	27	9

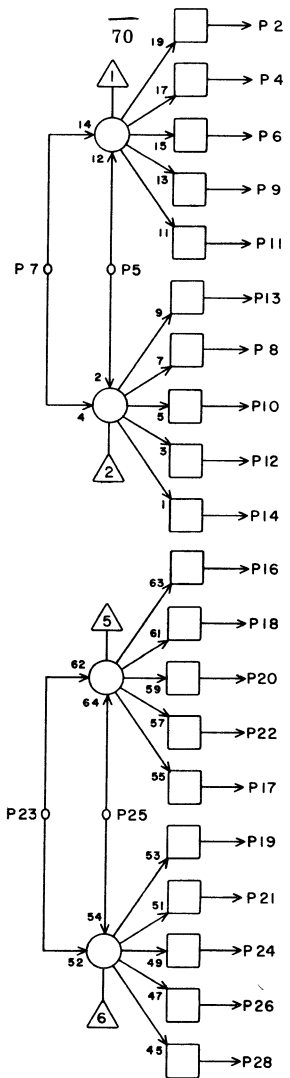
PACK

JACK PIN LG

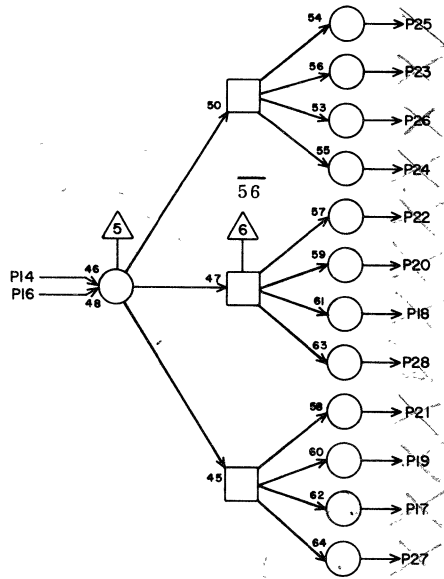
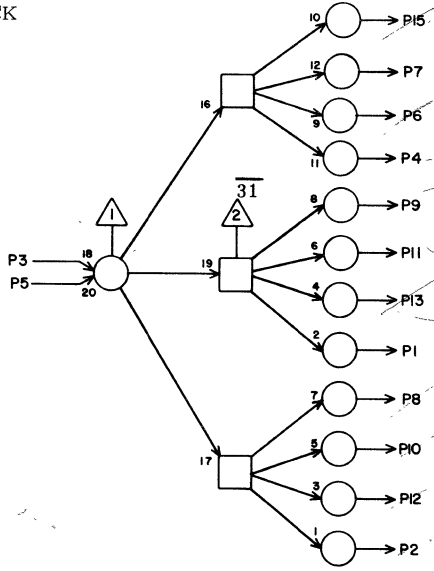
63017200 Rev. AB

8H22

CLOCK



CLOCK



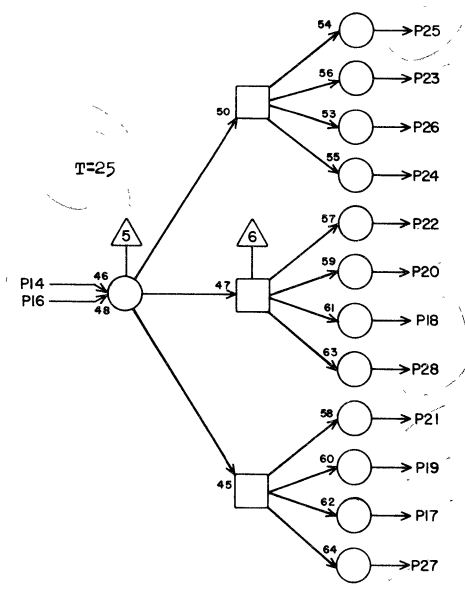
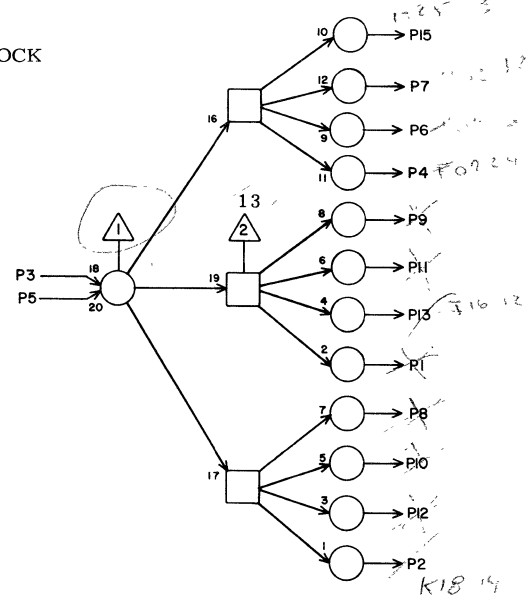
TC 8H25

1	J03	18	25
2			
3	H26	15	5
4	E01	15	25
5			
6			
7	E08	28	60
8			
9	C14	28	60
10			
11	D13	28	60
12			
13			
14	H26	25	5
15			
16			
17	I19	20	15
18			
19	I19	18	15
20			
21	J17	16	49
22			
23	E28	18	17
24	I25	1	9
25	F27	18	13
26	M18	8	25
27	G33	19	120
28			

JACK PIN LG

63017200 Rev. S

CLOCK



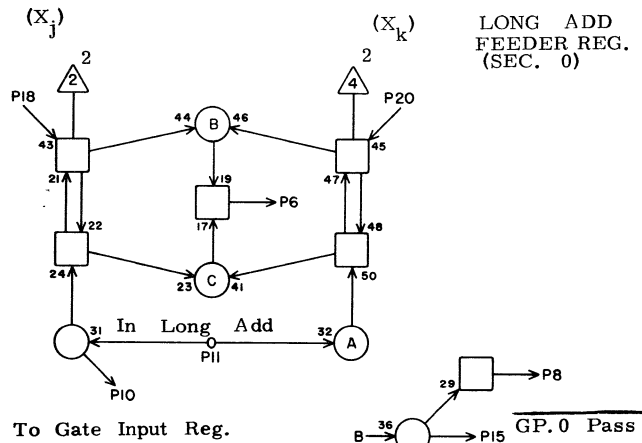
TC 8H26

1			
2	K18	14	60
3	I21	4	13
4	F07	24	21
5			
6	F07	6	21
7	H02	12	23
8			
9			
10			
11			
12			
13	I16	12	60
14	I21	3	13
15	H25	3	5
16			
17			
18	A23	17	96
19			
20			
21			
22			
23			
24			
25	H25	14	5
26			
27			
28	B21	17	144

JACK PIN LG

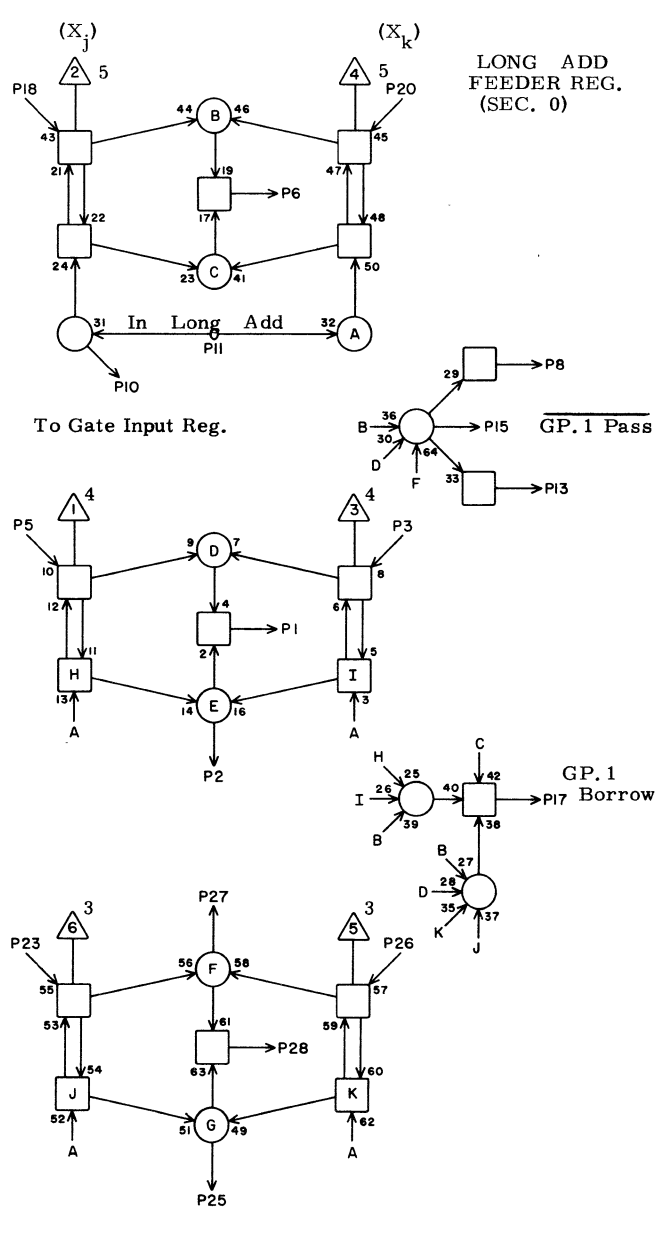
63017200 Rev. AD

8H26



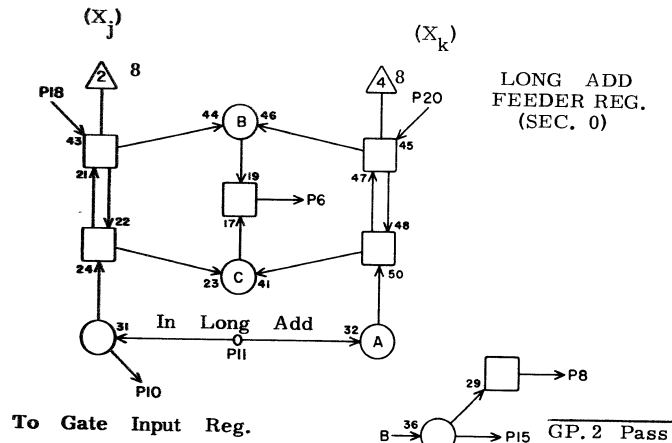
FA		8 H27	
1	I34	26	13
2	I34	11	11
3	J01	6	27
4			
5	L09	25	27
6	I34	10	11
7			
8	I40	22	17
9			
10	J01	9	27
11	I26	1	7
12			
13	I40	1	15
14			
15	H40	2	15
16			
17	H40	13	17
18	L10	23	23
19			
20	J02	5	27
21			
22			
23	L09	23	25
24			
25	I34	21	11
26	J01	5	27
27	I34	6	9
28	I34	24	11
	JACK	PIN	LG

63017200 Rev. E

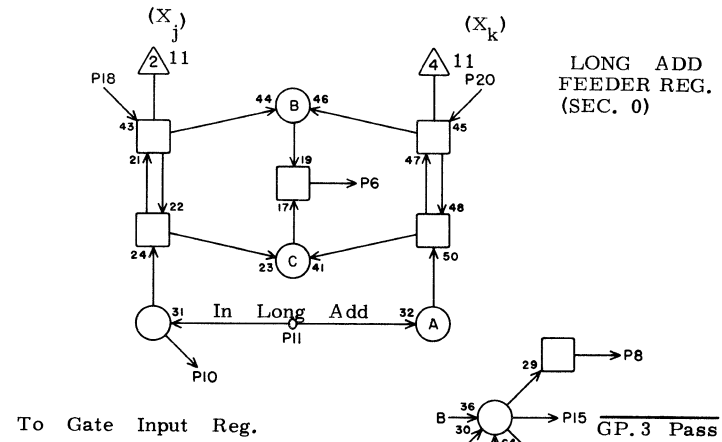


FA		8 H28	
1	I35	26	13
2	I35	11	11
3	J03	5	27
4			
5	L11	23	25
6	I35	10	11
7			
8	I40	7	15
9			
10	J02	9	27
11	I26	3	7
12			
13			
14			
15	H40	1	15
16			
17	H40	16	15
18	L11	25	25
19			
20	J03	6	27
21			
22			
23	L10	25	25
24			
25	I35	21	11
26	J02	6	27
27	I35	6	9
28	I35	24	11
	JACK	PIN	LG

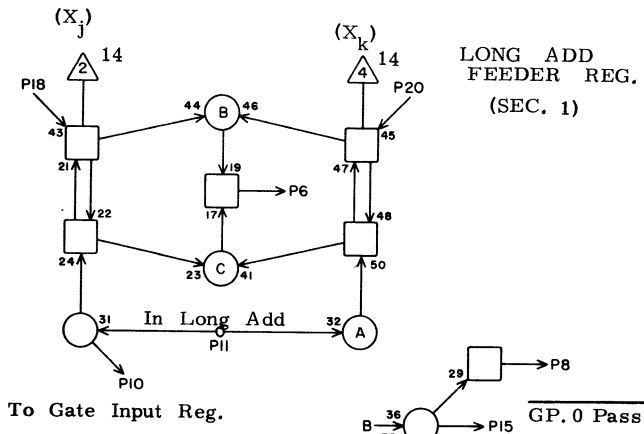
63017200 Rev. E



FA		8H29	
1	I36	26	13
2	I36	11	11
3	J04	28	27
4			
5	J04	20	27
6	I36	10	11
7			
8	I40	5	15
9			
10	J03	9	27
11	I26	5	7
12			
13			
14			
15	H40	3	13
16			
17	H40	15	13
18	J05	12	25
19			
20	J05	4	25
21			
22			
23	J04	12	27
24			
25	I36	21	11
26	J04	4	27
27	I36	6	9
28	I36	24	11
	JACK	PIN	LG



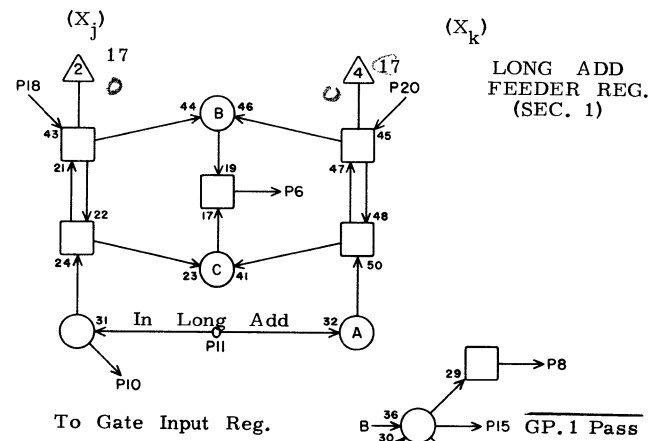
FA		8H30	
1	I37	26	13
2	I37	11	11
3	J06	4	27
4			
5	J06	12	27
6	I37	10	11
7			
8			
9			
10	J04	13	27
11	I26	7	9
12			
13			
14			
15	H40	4	13
16			
17	H40	5	13
18	J06	20	25
19			
20	J06	28	25
21			
22			
23	J05	20	27
24			
25	I37	21	11
26	J05	28	27
27	I37	6	9
28	I37	24	11
	JACK	PIN	LG



FA 8H31

1	I38	26	13
2	I38	11	11
3	J07	28	27
4			
5	J07	20	27
6	I38	10	11
7			
8	I39	17	13
9			
10	J05	13	27
11	I26	9	9
12			
13	I39	23	13
14			
15	H41	2	13
16			
17	H41	13	13
18	J08	12	25
19			
20	J08	4	25
21			
22			
23	J07	12	25
24			
25	I38	21	11
26	J07	4	25
27	I38	6	9
28	I38	24	11

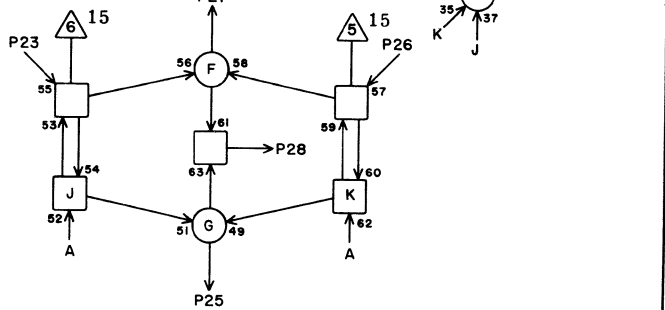
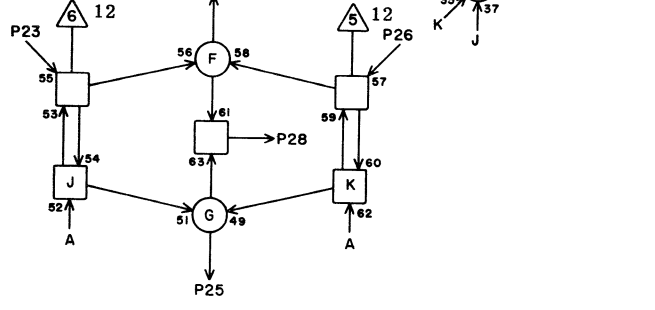
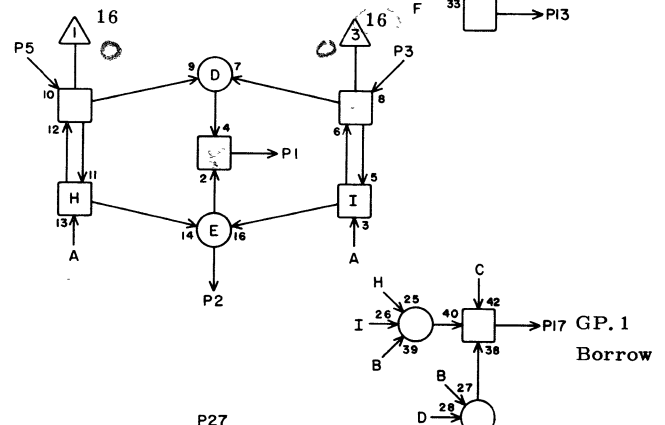
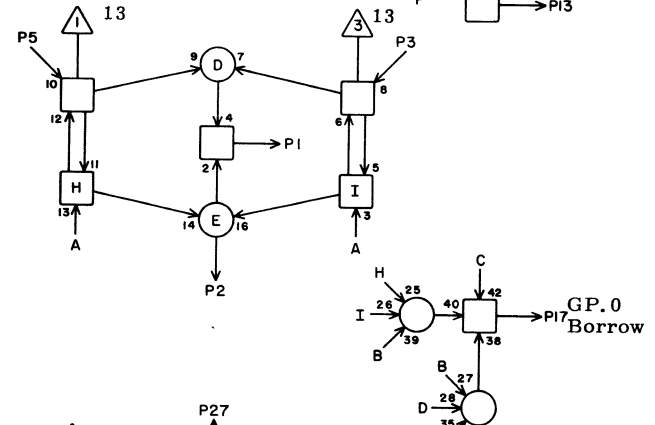
JACK PIN LG

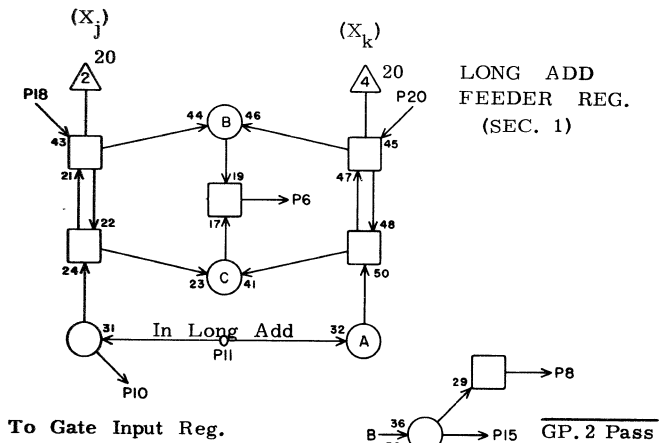


FA 8H32

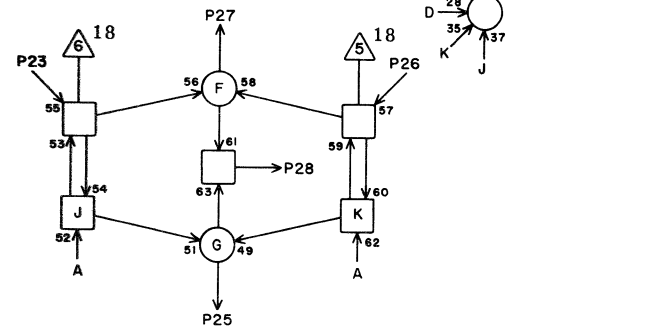
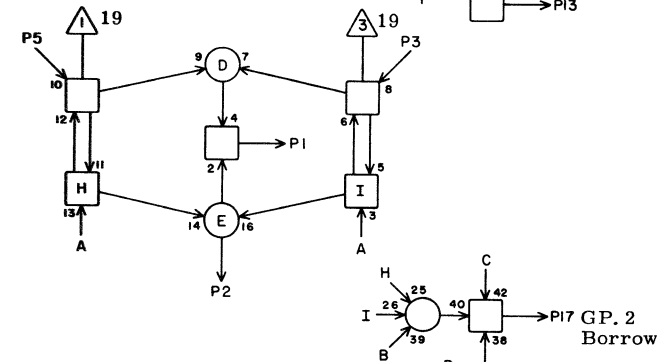
1	J25	26	15
2	J25	11	15
3	J09	4	25
4			
5	J09	12	25
6	J25	10	13
7			
8	I39	26	13
9			
10	J06	13	27
11	I26	2	11
12			
13			
14			
15	H41	1	13
16			
17	H41	16	11
18	I17	28	19
19			
20	J09	28	25
21			
22			
23	J08	20	27
24			
25	J25	21	13
26	J08	28	25
27	J25	6	13
28	J25	24	13

JACK PIN LG

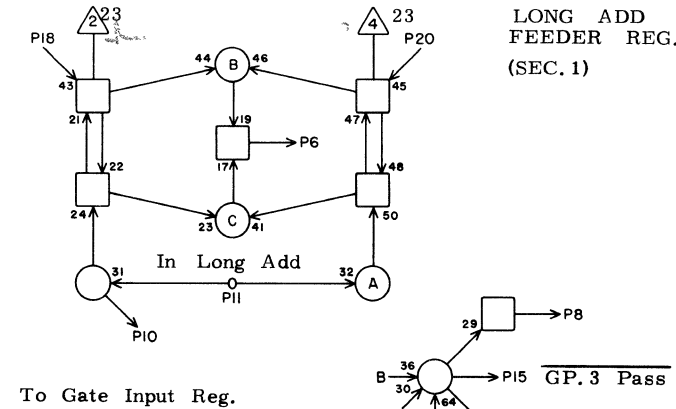




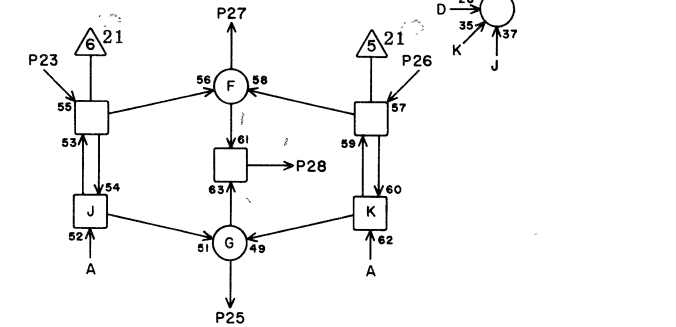
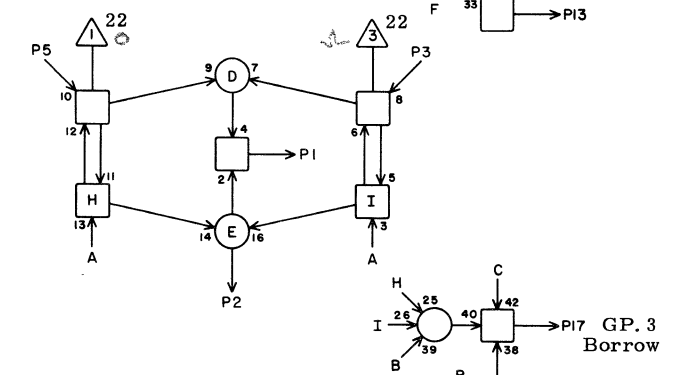
To Gate Input Reg.



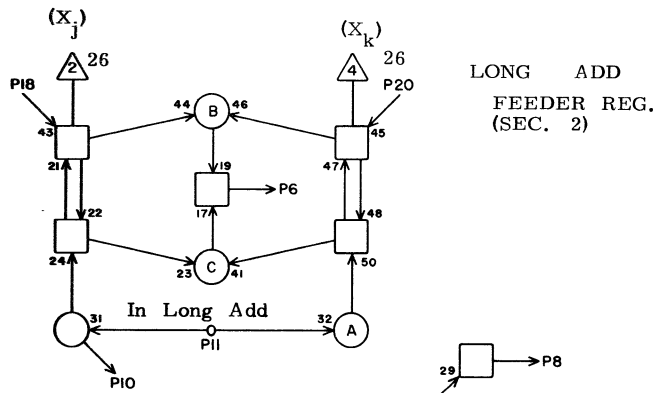
FA		8H33	
JACK	PIN	LG	
1	J26	26	15
2	J26	11	13
3	J10	28	27
4			
5	J10	20	25
6	J26	10	13
7			
8	I39	25	11
9			
10	J07	13	27
11	I26	4	11
12			
13			
14			
15	H41	3	11
16			
17	H41	15	11
18	J11	12	25
19			
20	J11	4	23
21			
22			
23	J10	12	25
24			
25	J26	21	13
26	J10	4	25
27	J26	6	13
28	J26	24	13



To Gate Input Reg.



FA		8H34	
JACK	PIN	LG	
1	J27	26	15
2	J27	11	13
3	K01	4	35
4			
5	K01	12	35
6	J27	10	13
7			
8			
9			
10	J08	13	27
11	I26	6	13
12			
13			
14			
15	H41	4	9
16			
17	H41	5	11
18	K01	20	33
19			
20	K01	28	35
21			
22			
23	J11	20	25
24			
25	J27	21	13
26	J11	28	25
27	J27	6	13
28	J27	24	13

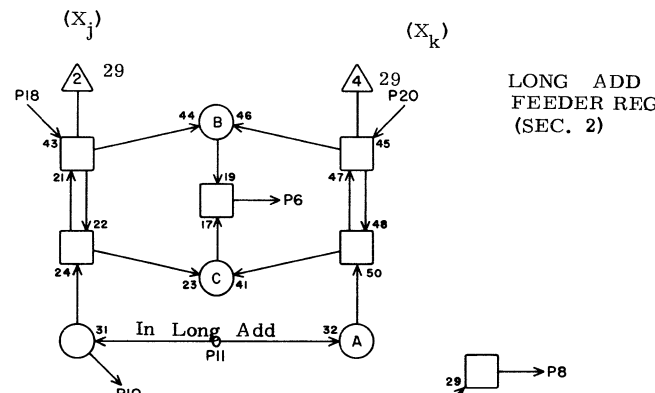


LONG ADD
FEEDER REG.
(SEC. 2)

FA 8H35

1	J28	26	15
2	J28	11	13
3	K02	28	35
4			
5	K02	20	35
6	J28	10	13
7			
8	J42	1	13
9			
10	J09	13	27
11	I26	8	13
12			
13	J42	22	13
14			
15	H42	2	9
16			
17	H42	13	9
18	K03	12	33
19			
20	K03	4	33
21			
22			
23	K02	12	33
24			
25	J28	21	13
26	K02	4	33
27	J28	6	13
28	J28	24	13

JACK PIN LG



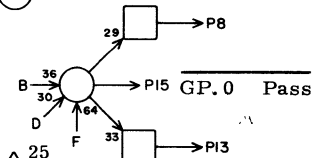
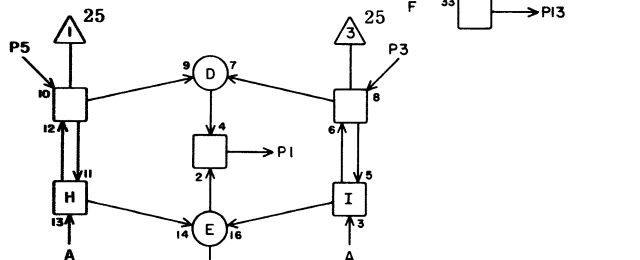
LONG ADD
FEEDER REG.
(SEC. 2)

FA 8H36

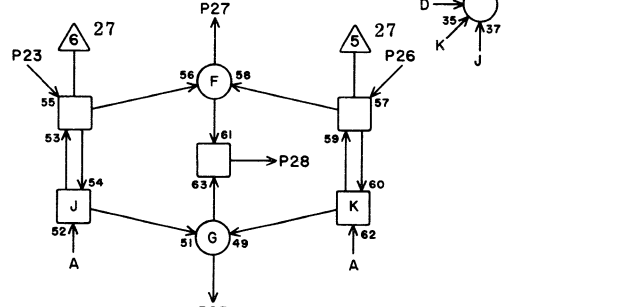
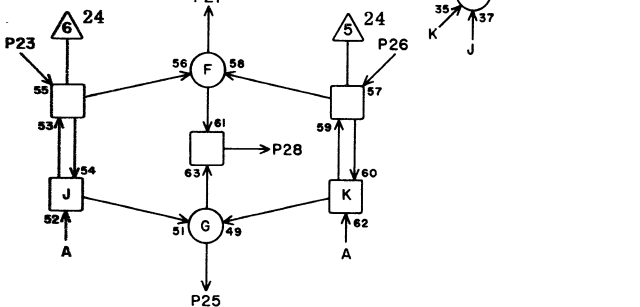
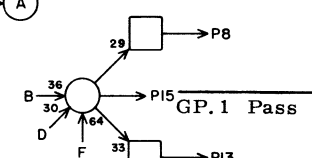
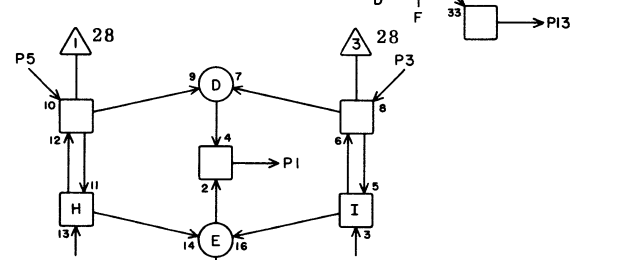
1	J29	26	15
2	J29	11	13
3	K04	4	33
4			
5	K04	12	33
6	J29	10	13
7			
8	J42	7	13
9			
10	J10	13	27
11	I26	10	13
12			
13			
14			
15	H42	1	9
16			
17	H42	16	9
18	K04	20	33
19			
20	K04	28	33
21			
22			
23	K03	20	35
24			
25	J29	21	13
26	K03	28	33
27	J29	6	13
28	J29	24	13

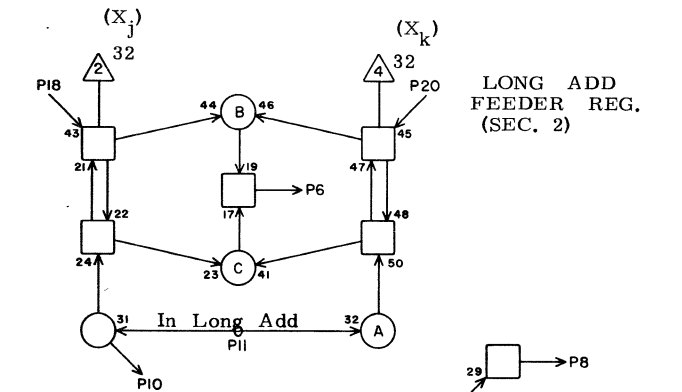
JACK PIN LG

To Gate Input Reg.

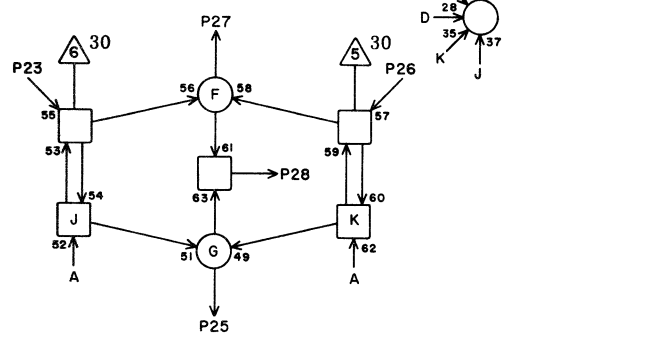
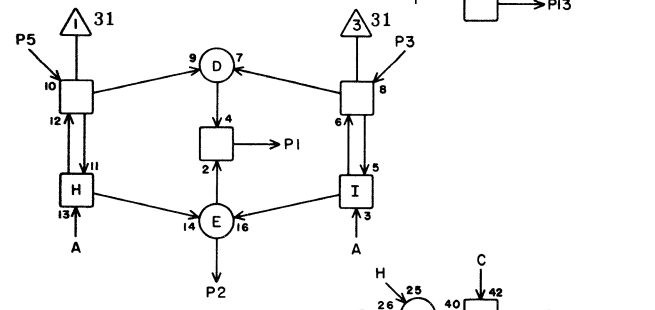
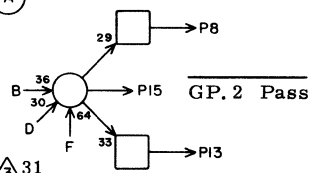


To Gate Input Reg.

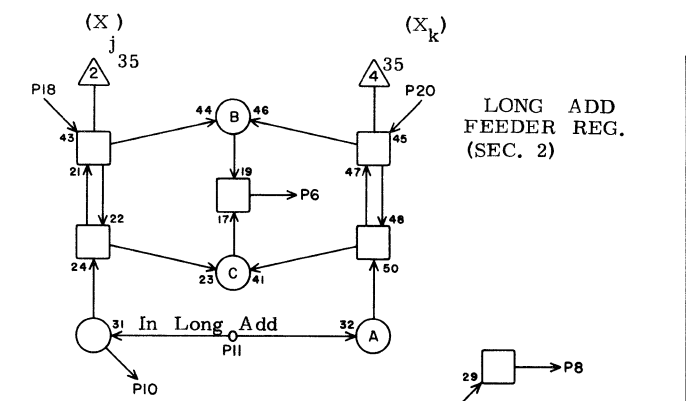




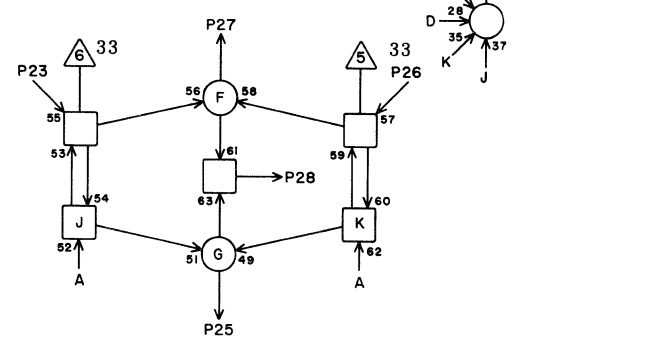
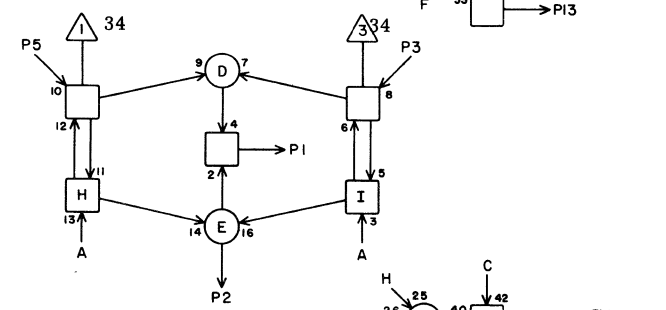
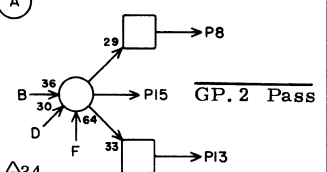
To Gate Input Reg.



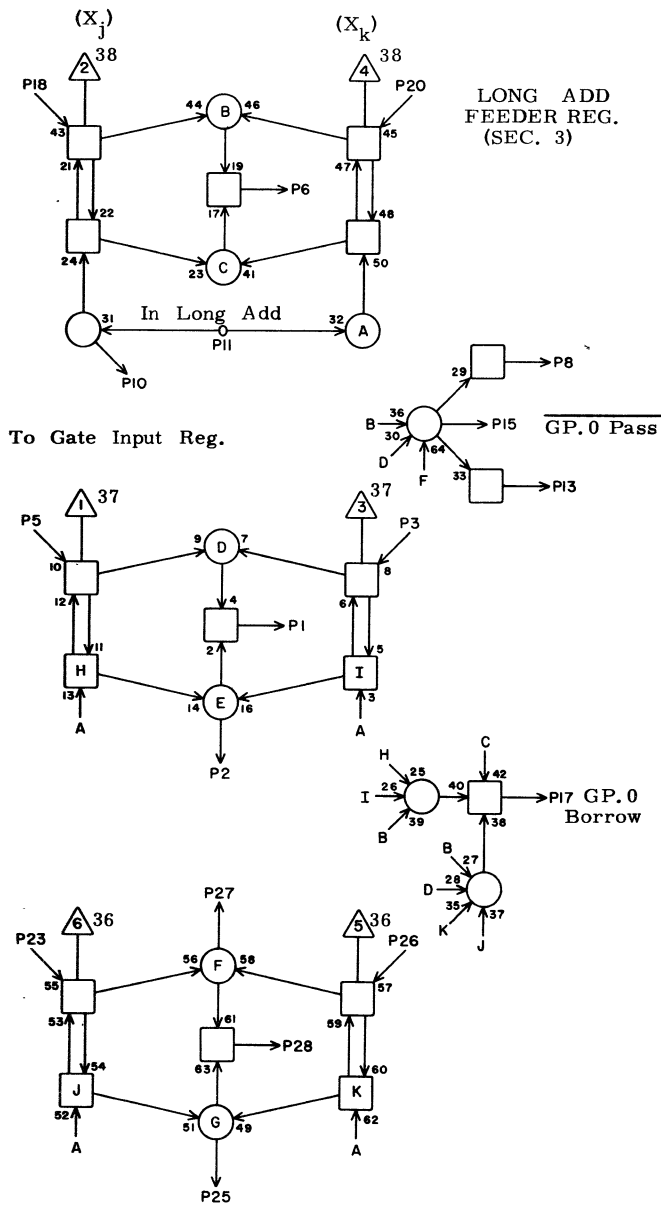
FA	8H37	JACK	PIN	LG
1	J30	26	15	
2	J30	11	13	
3	K05	28	35	
4				
5	K05	20	33	
6	J30	10	13	
7				
8	J42	5	13	
9				
10	J11	13	27	
11	I26	11	15	
12				
13				
14				
15	H42	3	9	
16				
17	H42	15	7	
18	K06	12	33	
19				
20	K06	4	31	
21				
22				
23	K05	12	33	
24				
25	J30	21	13	
26	K05	4	33	
27	J30	6	13	
28	J30	24	13	



To Gate Input Reg.

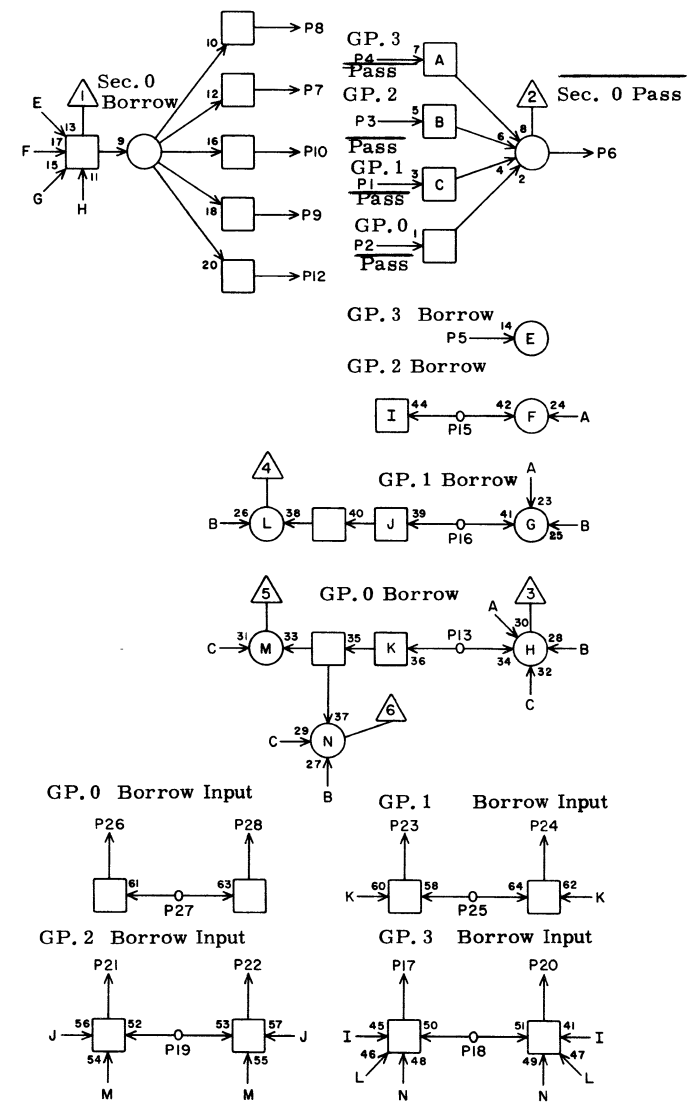


FA	8H38	JACK	PIN	LG
1	J31	26	15	
2	J31	11	13	
3	K07	4	33	
4				
5	K07	12	33	
6	J31	10	13	
7				
8				
9				
10	K01	13	37	
11	I26	13	15	
12				
13				
14				
15	H42	4	7	
16				
17	H42	5	7	
18	K07	20	33	
19				
20	K07	28	33	
21				
22				
23	K06	20	33	
24				
25	J31	21	13	
26	K06	28	33	
27	J31	6	13	
28	J31	24	13	



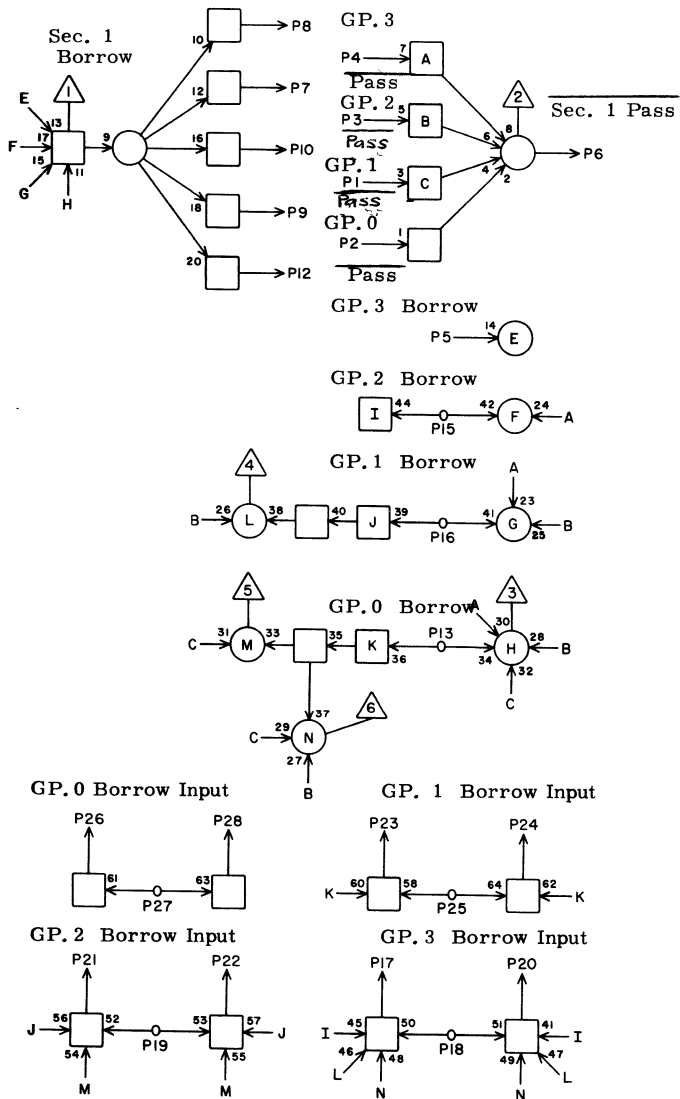
FA		8H39	
JACK	PIN	LG	
1	J32	26	15
2	J32	11	13
3	K08	28	33
4			
5	K08	20	33
6	J32	10	13
7			
8	J41	1	11
9			
10	K02	13	37
11	I26	15	17
12			
13	J41	22	13
14			
15	I41	2	7
16			
17	I41	13	7
18	K09	12	31
19			
20	K09	4	31
21			
22			
23	K08	12	33
24			
25	J32	21	13
26	K08	4	31
27	J32	6	13
28	J32	24	13

LONG ADD PASS AND BORROW CIRCUITS (SEC. 0)



FB		8H40	
JACK	PIN	LG	
1	H28	15	15
2	H27	15	15
3	H29	15	13
4	H30	15	13
5	H30	17	13
6	I39	13	7
7	I40	21	9
8	I39	14	7
9	J41	17	13
10	J40	19	13
11			
12	J42	13	13
13	H27	17	17
14			
15	H29	17	13
16	H28	17	15
17	I37	25	9
18	I40	24	7
19	I40	6	7
20	I37	8	7
21	I36	25	9
22	I36	8	7
23	I35	25	9
24	I35	8	9
25	I40	26	7
26	I34	25	11
27	I40	10	7
28	I34	8	9

LONG ADD PASS AND BORROW CIRCUITS
(SEC. 1)

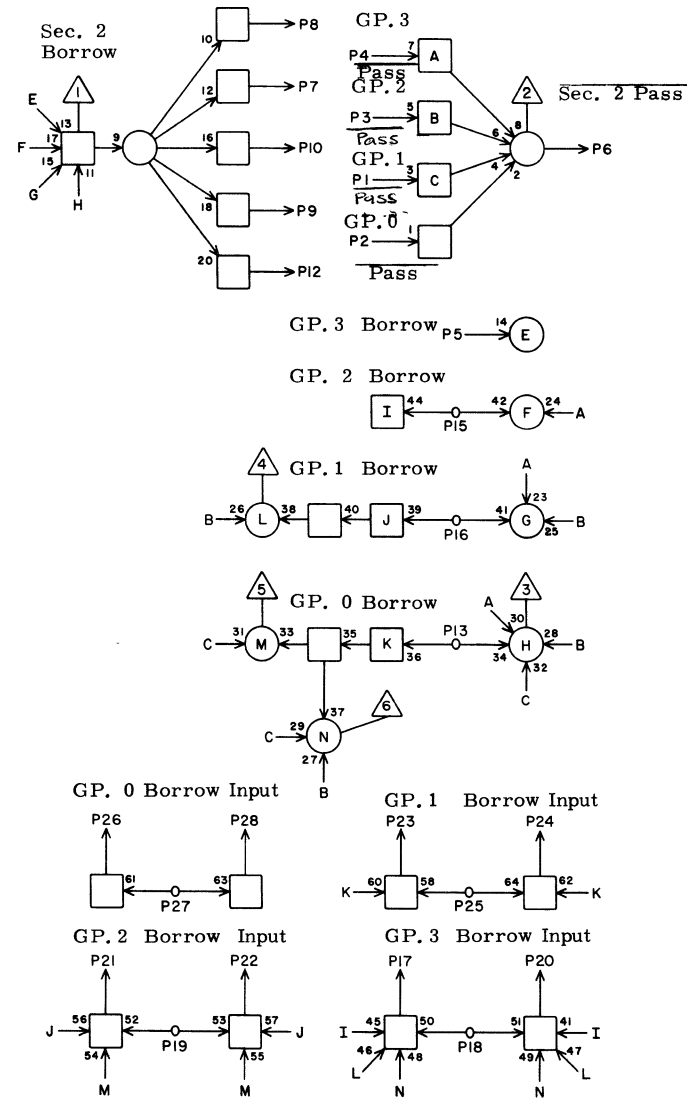


FB 8H41

1	H32	15	13
2	H31	15	13
3	H33	15	11
4	H34	15	9
5	H34	17	11
6	I39	9	7
7	I40	19	9
8	I39	21	9
9	J41	13	13
10	J40	17	13
11			
12	J42	11	11
13	H31	17	13
14			
15	H33	17	11
16	H32	17	11
17	J27	25	19
18	I39	28	9
19	I39	24	9
20	J27	8	17
21	J26	25	19
22	J26	8	19
23	J25	25	19
24	J25	8	19
25	I39	18	7
26	I38	25	7
27	I39	16	7
28	I38	8	7

JACK PIN LG

LONG ADD PASS AND BORROW CIRCUITS
(SEC. 2)

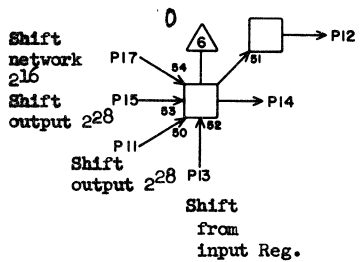
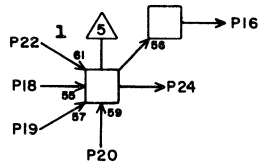
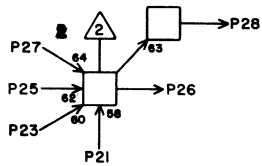
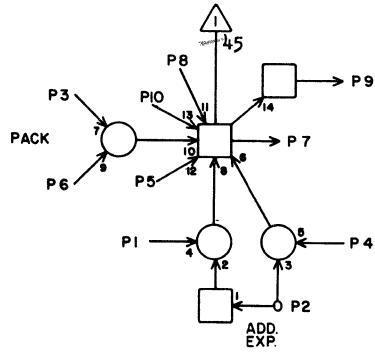


FB 8H42

1	H36	15	9
2	H35	15	9
3	H37	15	9
4	H38	15	7
5	H38	17	7
6	I39	7	9
7	I40	17	9
8	I39	20	9
9	J41	11	11
10	J40	13	13
11			
12	J42	21	13
13	H35	17	9
14			
15	H37	17	7
16	H36	17	9
17	J31	25	17
18	J42	24	13
19	J42	6	11
20	J31	8	15
21	J30	25	17
22	J30	8	17
23	J29	25	17
24	J29	8	17
25	J42	26	11
26	J28	25	17
27	J42	10	11
28	J28	8	17

JACK PIN LG

SHIFT RESULT FAN IN



KE

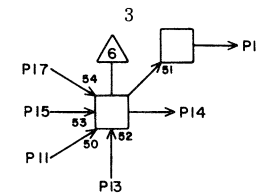
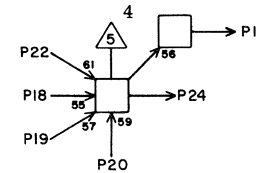
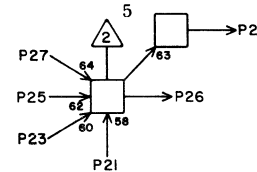
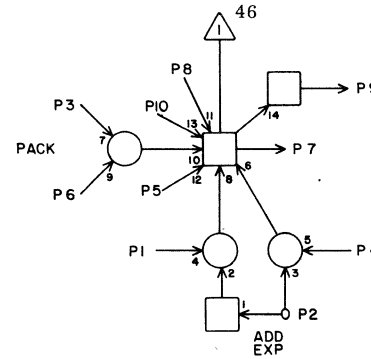
8I01

1			
2			
3			
4	J07	27	13
5	014	24	29
6	J24	1	25
7	H13	13	15
8	014	10	29
9	H13	9	15
10	L13	7	19
11	013	6	27
12	M01	3	17
13	J12	10	13
14	M01	7	19
15	001	14	25
16	M01	9	17
17	P02	25	29
18	P02	21	29
19	014	6	27
20	002	14	25
21	P02	13	29
22	J12	7	15
23	015	6	27
24	M01	13	17
25	003	14	25
26	M01	20	19
27	J12	20	13
28	M01	18	17

JACK PIN LG

63017200 Rev. E

SHIFT RESULT FAN IN



KE

8I02

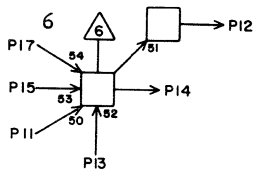
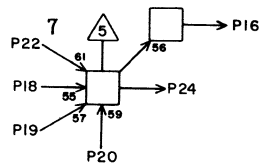
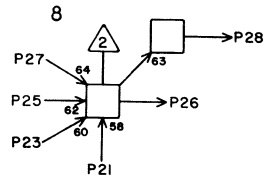
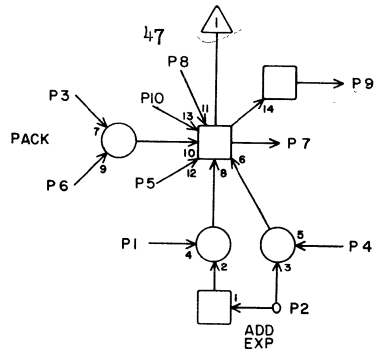
1			
2			
3			
4	J08	27	13
5	015	24	29
6	J24	2	23
7	H13	20	13
8	015	10	29
9	H13	18	13
10	L13	20	19
11	P01	6	29
12	M01	24	19
13	J12	15	13
14	M01	22	19
15	004	14	25
16	M02	3	17
17	P03	25	29
18	P03	21	29
19	001	6	25
20	005	14	25
21	P03	13	29
22	J13	10	15
23	002	6	25
24	M02	7	17
25	006	14	25
26	M02	13	17
27	J13	7	13
28	M02	9	17

JACK PIN LG

63017200 Rev. E

8I02

SHIFT RESULT FAN IN



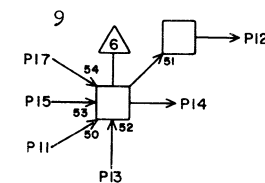
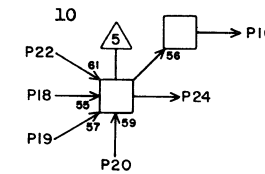
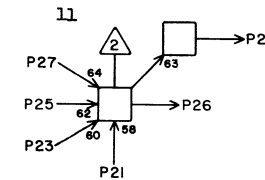
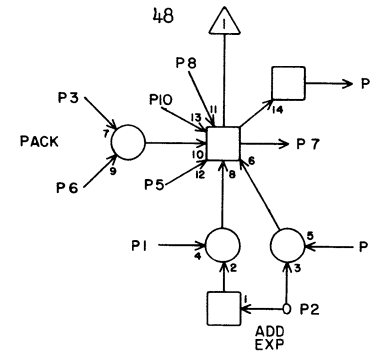
KE 8I03

1			
2			
3			
4	J09	27	13
5	P01	24	29
6	J24	3	23
7	H13	22	13
8	P01	10	29
9	H13	24	13
10	L13	15	19
11	003	6	25
12	M02	18	19
13	J13	20	13
14	M02	20	19
15	007	14	25
16	M02	24	19
17	P04	25	29
18	P04	21	29
19	004	6	25
20	008	14	25
21	P04	13	29
22	J13	15	13
23	005	6	25
24	M02	22	19
25	009	14	25
26	M03	7	17
27	J14	10	13
28	M03	3	17

JACK PIN LG

63017200 Rev. E

SHIFT RESULT FAN IN



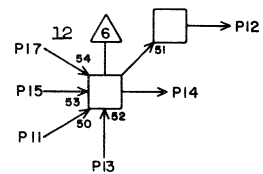
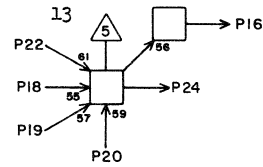
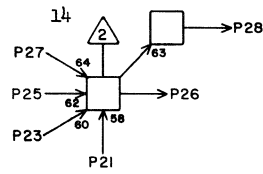
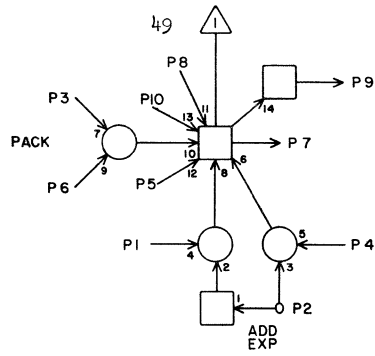
KE 8I04

1	G19	27	19
2	H19	16	17
3	L14	12	19
4	G19	8	19
5	001	24	27
6	K18	15	19
7	H14	7	13
8	001	10	27
9	H14	3	13
10	L18	15	21
11	006	6	25
12	M03	9	19
13	J14	7	13
14	M03	13	19
15	010	14	27
16	M03	18	19
17	P05	25	29
18	P05	21	29
19	007	6	25
20	011	14	27
21	P05	13	29
22	J14	20	13
23	008	6	25
24	M03	20	19
25	012	14	25
26	M03	22	19
27	J14	15	13
28	M03	24	19

JACK PIN LG

63017200 Rev. E

SHIFT RESULT FAN IN



KE

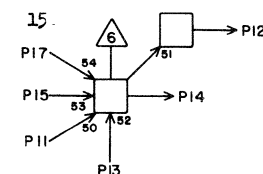
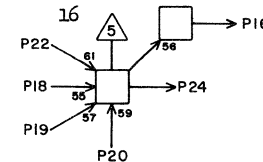
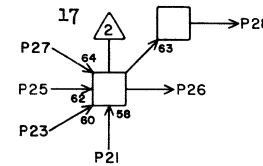
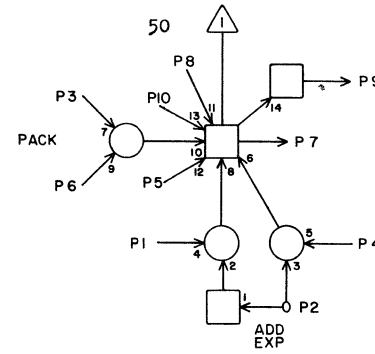
8I05

1	G19	3	19
2	G34	6	31
3	L14	1	17
4	G19	2	19
5	002	24	27
6	K18	7	17
7	H14	13	13
8	002	10	27
9	H14	9	13
10	L18	7	19
11	009	6	25
12	M04	3	17
13	J15	10	13
14	M04	7	19
15	013	20	27
16	M04	9	19
17	013	26	27
18	014	26	27
19	010	6	25
20	014	20	27
21	015	26	27
22	J15	7	13
23	011	6	25
24	M04	13	17
25	015	20	27
26	M04	20	19
27	J15	20	13
28	M04	18	17

JACK PIN LG

63017200 Rev. E

SHIFT RESULT FAN IN



KE

8I06

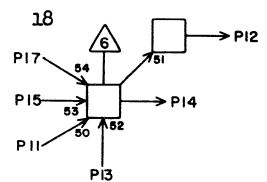
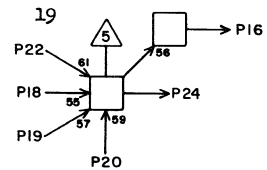
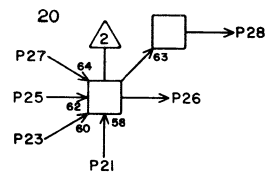
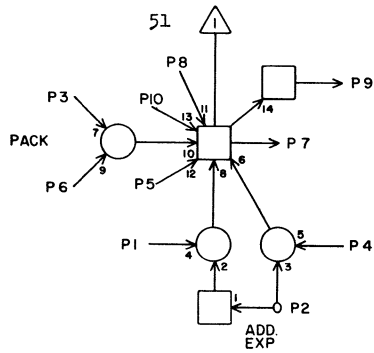
1	G19	26	17
2	G34	3	29
3	L14	28	19
4	G19	28	17
5	003	24	27
6	K18	6	17
7	H14	20	11
8	003	10	27
9	H14	18	11
10	L18	6	19
11	012	6	25
12	M04	24	19
13	J15	15	13
14	M04	22	19
15	P01	20	29
16	M05	3	17
17	P01	26	31
18	001	26	27
19	013	12	25
20	001	20	27
21	002	26	27
22	J16	10	13
23	014	12	25
24	M05	7	17
25	002	20	25
26	M05	13	17
27	J16	7	13
28	M05	9	17

JACK PIN LG

63017200 Rev. E

8I06

SHIFT RESULT FAN IN



KE

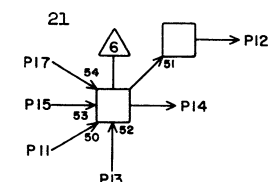
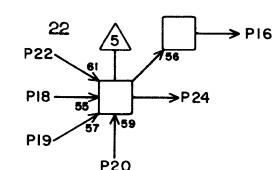
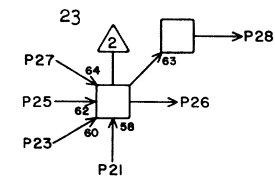
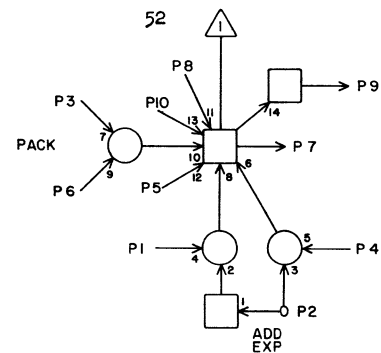
8I07

1	G20	27	17
2	H19	19	15
3	L14	15	17
4	G20	8	17
5	004	24	27
6	K18	4	15
7	H14	22	11
8	004	10	27
9	H14	24	11
10	L18	4	17
11	O15	12	27
12	M05	18	19
13	J16	20	13
14	M05	20	19
15	003	20	27
16	M05	24	19
17	003	26	27
18	004	26	27
19	P01	12	29
20	004	20	25
21	005	26	27
22	J16	15	13
23	001	12	25
24	M05	22	19
25	005	20	25
26	N01	7	21
27	K12	10	11
28	N01	3	21

JACK PIN LG

63017200 Rev. E.

SHIFT RESULT FAN IN



KE

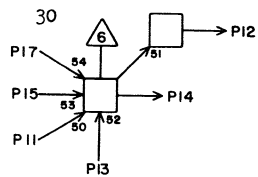
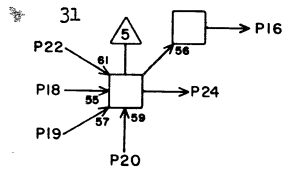
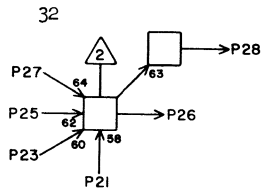
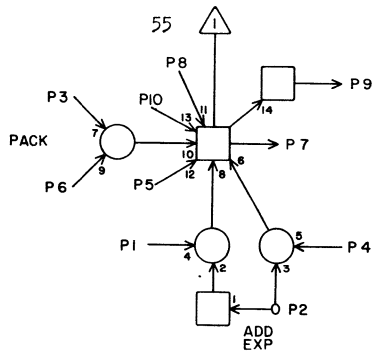
8I08

1	G20	3	17
2	G34	16	27
3	L15	12	17
4	G20	2	17
5	005	24	27
6	K18	9	15
7	H15	7	11
8	005	10	27
9	H15	3	11
10	L18	9	19
11	002	12	27
12	N01	9	23
13	K12	7	13
14	N01	13	23
15	006	20	27
16	N01	18	23
17	006	26	27
18	007	26	27
19	003	12	25
20	007	20	25
21	008	26	27
22	K12	20	13
23	004	12	25
24	N01	20	23
25	008	20	25
26	N01	22	23
27	K12	15	11
28	N01	24	23

JACK PIN LG

63017200 Rev. B.

SHIFT RESULT FAN IN



KE

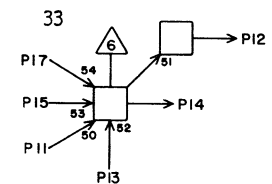
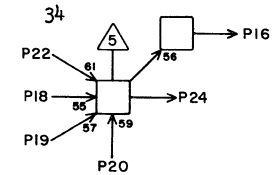
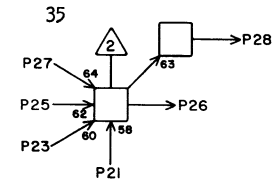
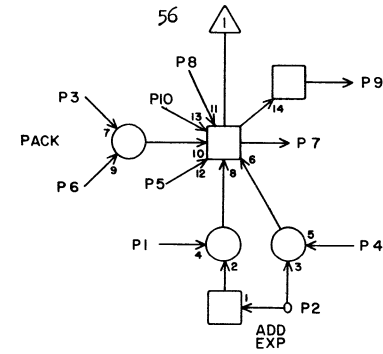
8111

1	J02	16	15
2	H19	9	13
3	L15	15	17
4	J02	14	13
5	008	24	27
6	K18	1	13
7	H15	22	7
8	008	10	27
9	H15	24	7
10	L18	1	17
11	011	12	25
12	N03	18	25
13	K14	20	13
14	N03	20	23
15	L19	11	17
16	N03	24	25
17	015	16	25
18	P01	16	31
19	012	12	25
20	L19	13	17
21	001	16	27
22	K14	15	11
23	P02	23	31
24	N03	22	23
25	L19	27	17
26	N04	7	21
27	K15	10	11
28	N04	3	21

JACK PIN LG

63017200 Rev. E

SHIFT RESULT FAN IN



KE

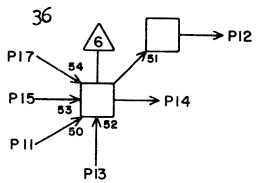
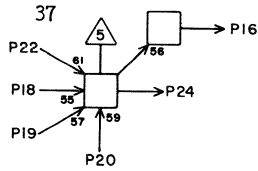
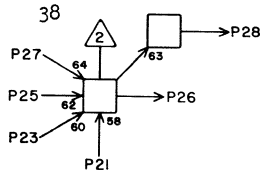
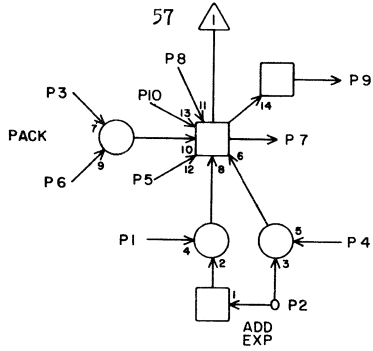
8112

1	J01	25	15
2	H19	13	11
3	L16	12	17
4	J01	28	15
5	009	24	27
6	K18	8	13
7	H16	7	9
8	009	10	27
9	H16	3	9
10	L18	8	17
11	P02	27	31
12	N04	9	23
13	K15	7	11
14	N04	13	23
15	L19	15	17
16	N04	18	23
17	002	16	27
18	003	16	27
19	P02	15	31
20	L19	28	17
21	004	16	27
22	K15	20	13
23	P03	23	31
24	N04	20	23
25	L19	17	17
26	N04	22	23
27	K15	15	11
28	N04	24	27

JACK PIN LG

63017200 Rev. E

SHIFT RESULT FAN IN



KE

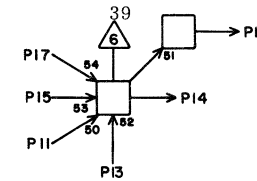
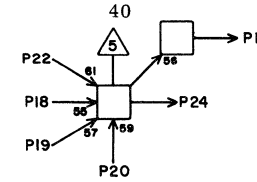
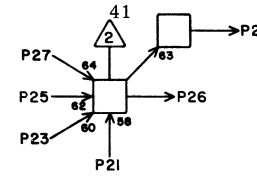
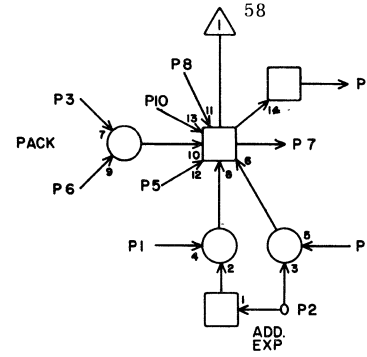
8I13

1	J01	22	17
2	H19	11	11
3	L16	1	15
4	J01	19	15
5	O10	24	27
6	K18	10	13
7	H16	13	9
8	O10	10	27
9	H16	9	9
10	L18	10	15
11	P03	27	31
12	H11	3	9
13	K16	10	11
14	H11	7	9
15	L19	18	17
16	H11	9	9
17	005	16	27
18	006	16	27
19	P03	15	31
20	L19	19	17
21	007	16	25
22	K16	7	11
23	P04	23	31
24	H11	13	9
25	L19	20	17
26	H11	20	9
27	K16	20	11
28	H11	18	9

JACK PIN LG

63017200 Rev. E

SHIFT RESULT FAN IN



KE

8I14

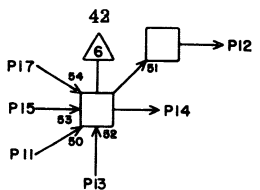
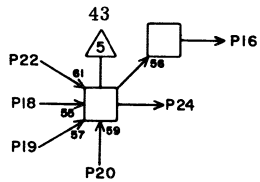
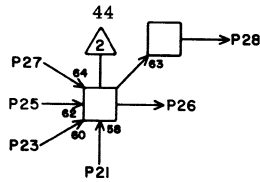
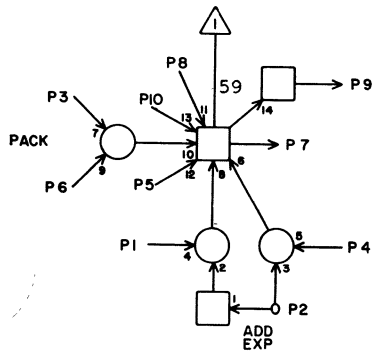
1	J02	25	15
2	H19	12	9
3	G17	17	13
4	J02	28	15
5	O11	24	27
6	K18	12	13
7	H16	20	7
8	O11	10	27
9	H16	18	7
10	L18	12	15
11	P04	27	31
12	H11	24	7
13	K16	15	13
14	H11	22	7
15	L19	21	17
16	H12	3	9
17	008	16	27
18	009	16	25
19	P04	15	31
20	L19	22	17
21	O10	16	25
22	L12	10	15
23	P05	23	31
24	H12	7	9
25	L19	23	17
26	H12	13	9
27	L12	7	13
28	H12	9	9

JACK PIN LG

63017200 Rev. E

8I14

SHIFT RESULT FAN IN



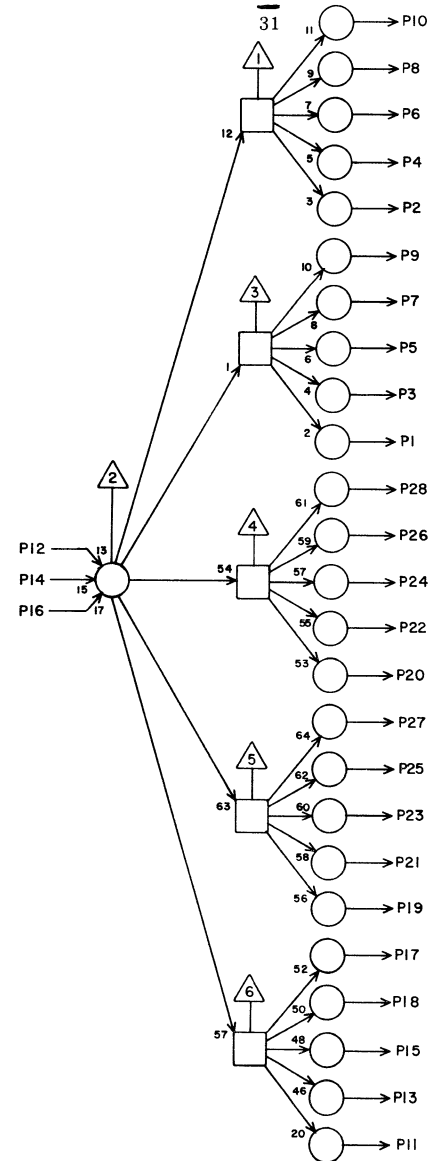
KE 8 I 15

1			
2			
3			
4	J10	27	11
5	O12	24	27
6	K18	2	11
7	H16	22	7
8	O12	10	27
9	H16	24	7
10	L18	2	15
11	P05	27	31
12	H12	18	9
13	L12	20	15
14	H12	20	7
15	L19	24	17
16	H12	24	7
17	O11	16	25
18	O12	16	27
19	P05	15	31
20	L19	25	17
21	O13	10	25
22	L12	15	15
23	O13	24	25
24	H12	22	9
25	L19	26	17
26	H13	7	9
27	L13	10	13
28	H13	3	9

JACK PIN LG

63017200 Rev. E

CLOCK



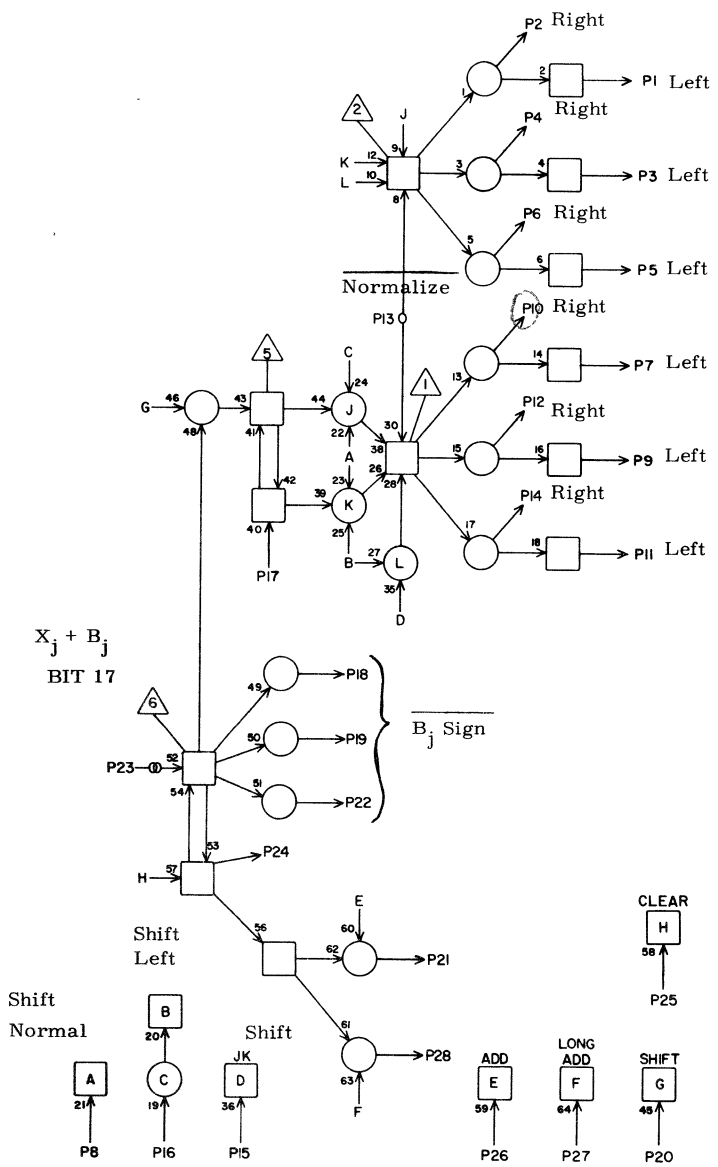
CA 8 I 16

1	J01	15	17
2	J02	15	17
3	J03	15	15
4	J04	15	15
5	J05	15	13
6	J06	15	13
7	J07	15	13
8	J08	15	11
9	J09	15	11
10	J10	15	9
11	J11	15	9
12	H26	13	60
13	K01	15	19
14	I16	X	2
15	K02	15	17
16	I16	X	2
17	K03	15	17
18	K04	15	15
19	K05	15	15
20	K06	15	15
21	K07	15	13
22	K08	15	13
23	K09	15	13
24	K10	15	13
25	K11	15	11
26	L01	15	19
27			
28	L03	15	19

JACK PIN LG

63017200 Rev. N

SHIFT DIRECTION CONTROL
(SHIFT UNIT)



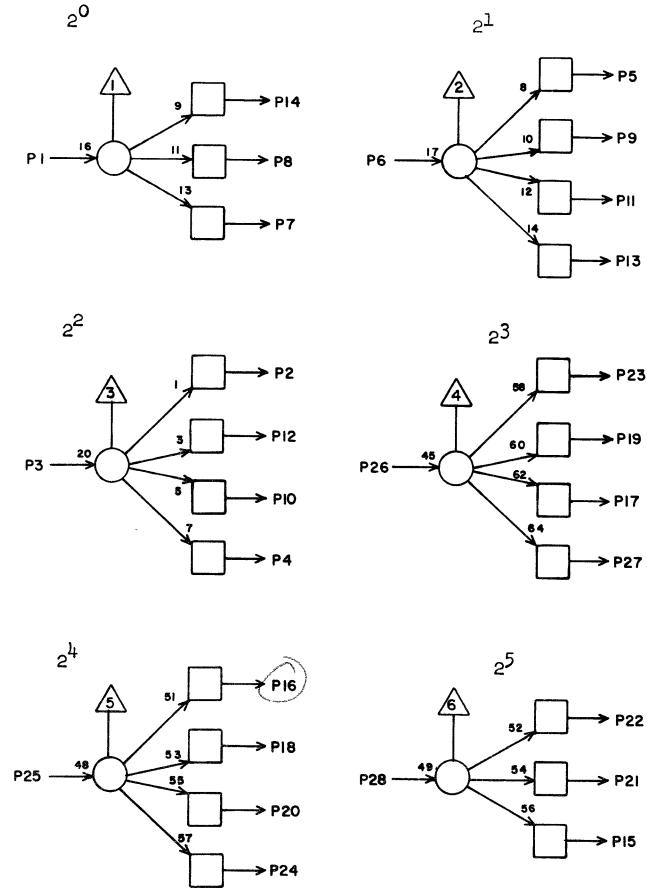
CT 8I17

1	M13	14	21
2	N15	14	23
3	M10	14	21
4	N12	14	23
5	M 7	14	23
6	N 9	14	25
7	N13	14	23
8	K30	1	15
9	N10	14	25
10	M09	14	25
11	N 7	14	25
12	M12	14	19
13	E14	4	21
14	M15	14	19
15	I25	17	11
16	G16	28	11
17	I23	22	11
18	L10	13	17
19	L09	13	17
20	G17	20	120
21	I24	20	15
22	L11	13	15
23	W28	907	
24	K30	6	15
25	K18	27	13
26	M09	4	17
27	J24	17	11
28	H32	18	19

JACK PIN LG

63017200 Rev. N

SHIFT COUNT FANOUTS
(SHIFT UNIT)



8I18

TH 8I18

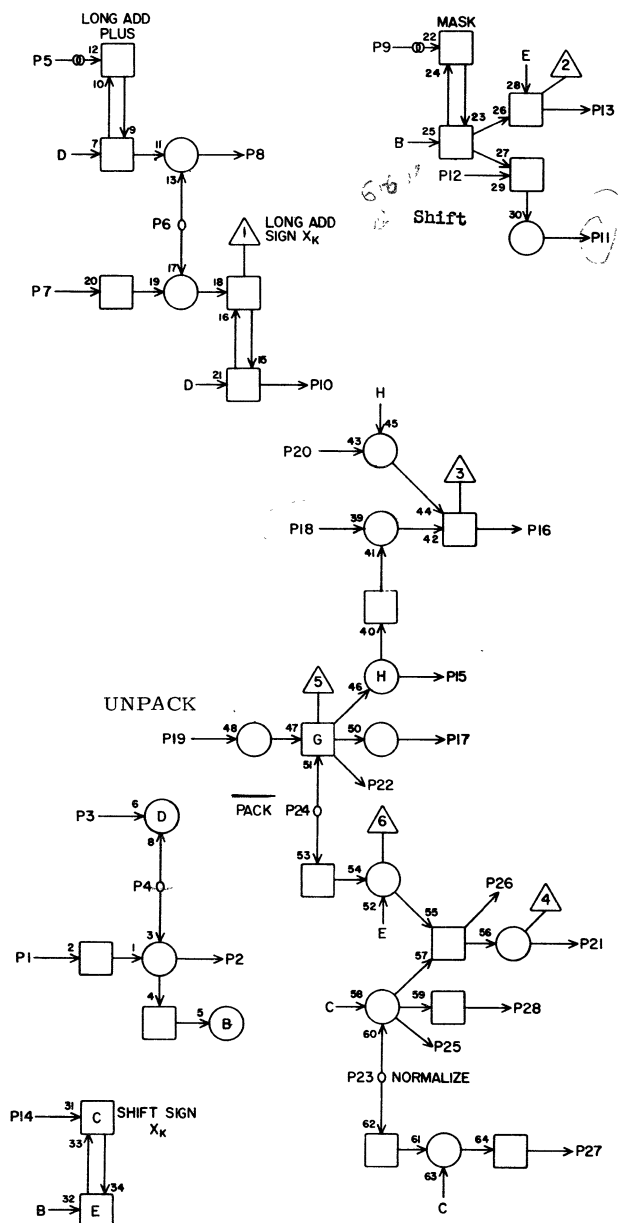
1	L09	4	19
2	M12	12	21
3	L10	4	17
4			
5	N15	12	23
6	L09	3	17
7	H03	2	19
8	N10	12	25
9	N13	12	23
10	H03	24	17
11	H03	8	19
12	M10	12	21
13			
14	N12	12	23
15	H04	8	17
16	M09	16	21
17	H03	28	19
18	M07	12	21
19	M13	12	19
20	H04	2	17
21	N07	12	25
22	N09	16	25
23	M15	12	19
24	H09	3	13
25	L11	4	15
26	L10	3	17
27			
28	L11	3	15

JACK PIN LG

63017200 Rev. E

Serial 5 and KN up

8 I19



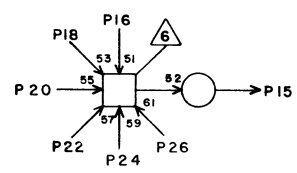
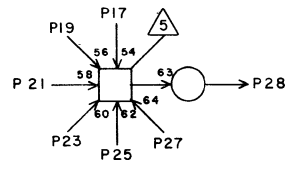
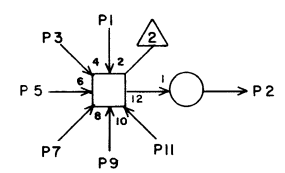
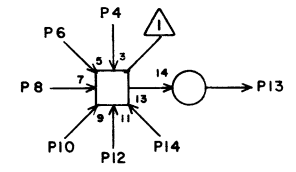
JACK	PIN	LG
1	G01	27 120
2	I23	25 180
3	I25	20 9
4	H10	22 120
5	W12	905
6	J23	9 9
7	B24	23 29
8	I22	26 7
9	W12	92
10	G15	14 13
11	A25	20 33
12	G16	17 11
13	B14	16 31
14	B24	26 29
15	N08	14 25
16	H22	3 11
17	K17	26 13
18	H25	19 15
19	G16	13 13
20	H25	17 15
21	N09	8 120
22	J17	3 7
23	H20	24 9
24	E13	27 21
25	N05	16 120
26	N16	8 120
27	M06	8 21
28	N16	16 120

63017200 Rev. T

IP

8 I20

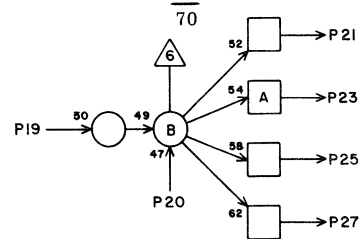
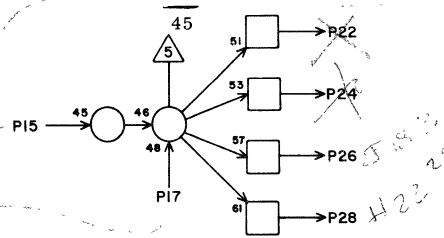
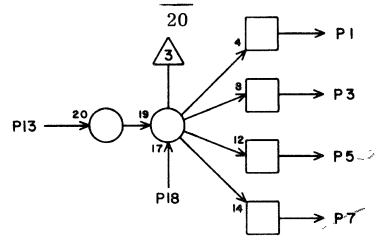
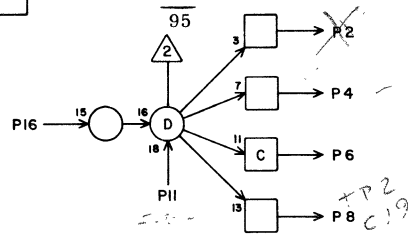
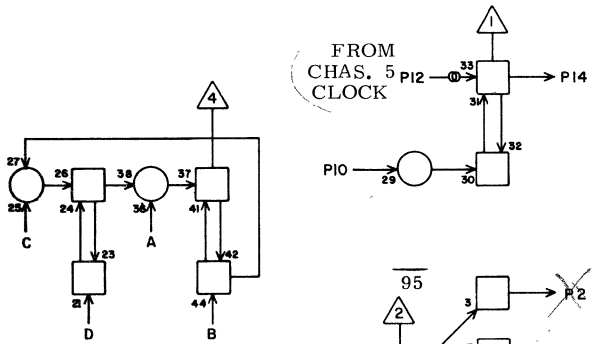
Long Add
60 BIT FAN-IN
FOR ZERO TEST (BRANCH)



JACK	PIN	LG
1	J25	2 11
2	G32	18 17
3	J26	2 11
4	I34	2 17
5	J27	2 11
6	I35	2 17
7	J28	2 11
8	I36	2 19
9	J29	2 13
10	I37	2 19
11		
12	I38	2 19
13	G32	16 17
14		
15	G32	22 17
16	J35	2 17
17	J30	2 13
18	J36	2 19
19	J31	2 15
20	J37	2 19
21	J32	2 15
22	J38	2 19
23	J33	2 15
24	J39	2 21
25	J34	2 17
26		
27		
28	G32	20 17

63017200 Rev. E

CHAS. 8 CLOCK



HQ

8121

1	H22	6	7
2	K42	28	
3	H26	14	13
4	H26	3	13
5	H 6	14	60
6	L42	16	27
7			
8	C19	7	120
9			
10	I22	7	84
11	I22	14	5
12	W20	900	
13	I22	21	5
14	I22	1	84
15	I22	12	5
16	I22	9	5
17	I22	22	5
18	I22	5	5
19	I22	16	5
20	I22	2	5
21			
22			
23			
24			
25	J18	14	9
26	J18	3	7
27	H22	28	9
28	H22	25	9

JACK PIN LG

63017200 Rev. AB

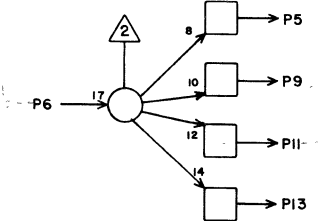
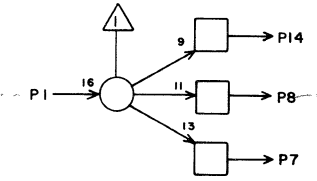
TH

8122

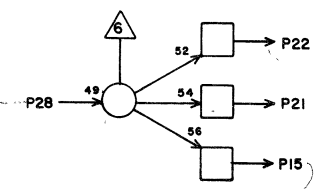
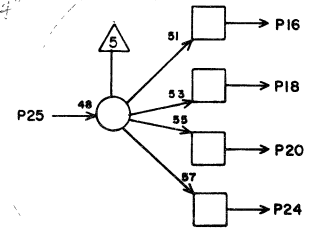
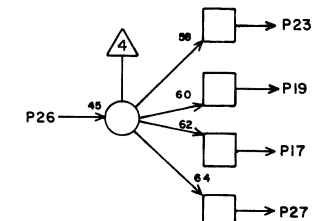
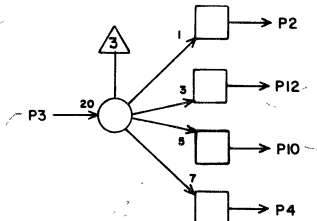
1	I21	14	84
2	I21	20	5
3	I22	15	84
4			
5	I21	18	5
6	I22	8	84
7	I21	10	84
8	I22	6	84
9	I21	16	5
10	I22	25	84
11	I22	28	84
12	I21	15	5
13			
14	I21	11	5
15	I22	3	84
16	I21	19	5
17			
18			
19	J22	14	7
20			
21	I21	13	5
22	I21	17	5
23	J21	14	7
24			
25	I22	10	84
26	I19	8	7
27			
28	I22	11	84

JACK PIN LG

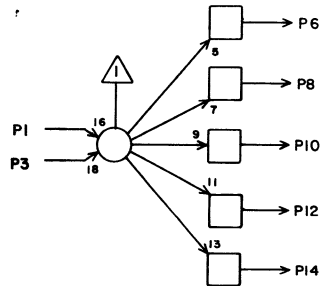
63017200 Rev. 1A



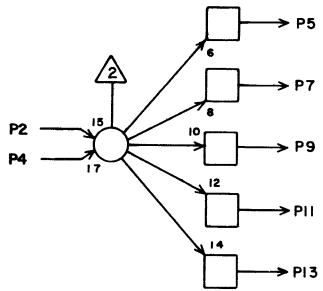
Lower shift & shift seq.



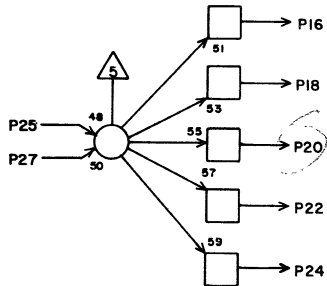
8122



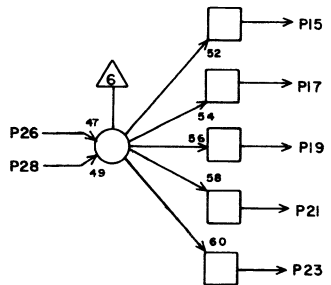
GO SHIFT
FANOUT



XMIT SHIFT &
TIME



SMIT SHIFT
RESULTS &
TIME



XMIT SHIFT
RESULTS &
TIME

t25

T D

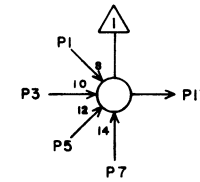
8I23

1			
2	C23	6	27
3			
4	H10	20	15
5	G33	26	15
6	H08	14	17
7	MO6	7	25
8	G33	17	15
9	I23	26	3
10	G18	5	13
11	F19	18	17
12	M19	16	19
13	J20	19	9
14	H21	27	7
15			
16	L09	11	19
17			
18	L10	11	19
19			
20	L11	11	19
21	K30	27	13
22	I17	17	11
23	E18	18	21
24			
25	I19	2	180
26	I23	9	3
27			
28			

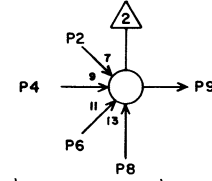
JACK PIN LG

63017200 Rev. AB

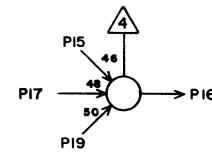
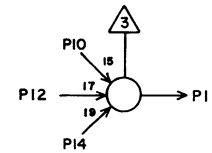
R.T. 1 & Sign plus 43



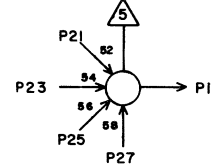
R.T. 2 & sign plus 43



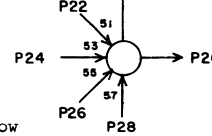
R.T. 4 & sign plus 43



R.T. 32 & unpack



Norm Seq.



Exp 2^{10}

Borrow

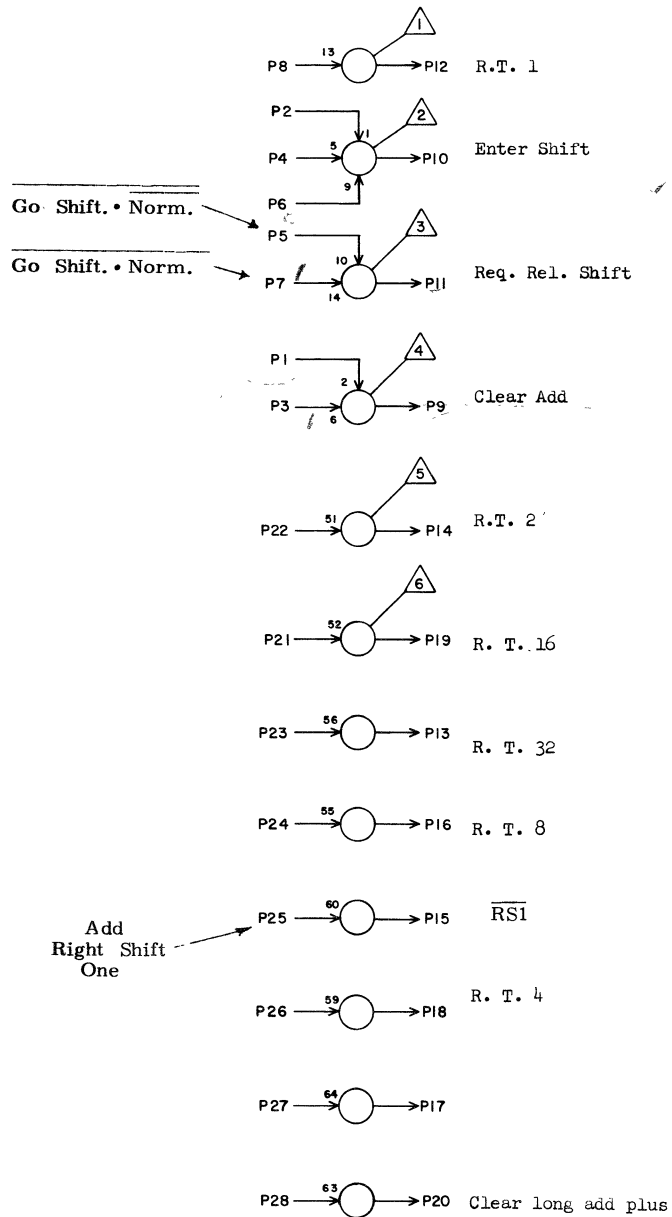
T I

8I24

1	I25	12	5
2	I25	14	5
3	B14	20	31
4	B14	21	31
5			
6			
7			
8			
9	K17	2	13
10	I25	18	5
11	K17	25	15
12	B14	17	31
13	K17	1	13
14			
15	C22	8	27
16	Q29	21	35
17	F26	17	15
18	L18	5	15
19			
20	H24	6	7
21	N09	9	27
22	G17	18	15
23	G16	14	15
24	G17	16	15
25			
26	H19	10	11
27			
28			

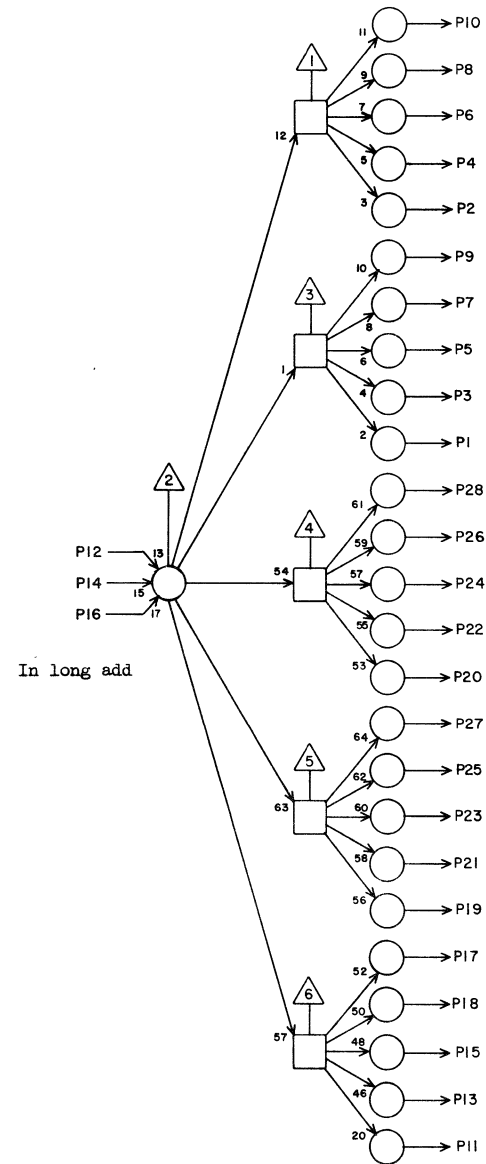
JACK PIN LG

63017200 Rev. K



TL		8I25	
1	H25	24	9
2	C19	4	25
3	H20	12	9
4	J19	13	120
5	A26	23	180
6	J20	6	120
7	J23	21	60
8	N12	24	27
9	L35	12	17
10	F20	16	15
11	H06	13	21
12	I24	1	5
13	L19	14	17
14	I24	2	5
15	L33	12	17
16	L18	16	17
17	I17	15	11
18	I24	10	5
19	L17	12	17
20	I19	3	9
21	M09	28	25
22	N15	24	25
23	N09	28	27
24	M15	24	21
25	L31	16	17
26	M12	24	23
27	G16	18	17
28	F01	27	27
	JACK	PIN	LG

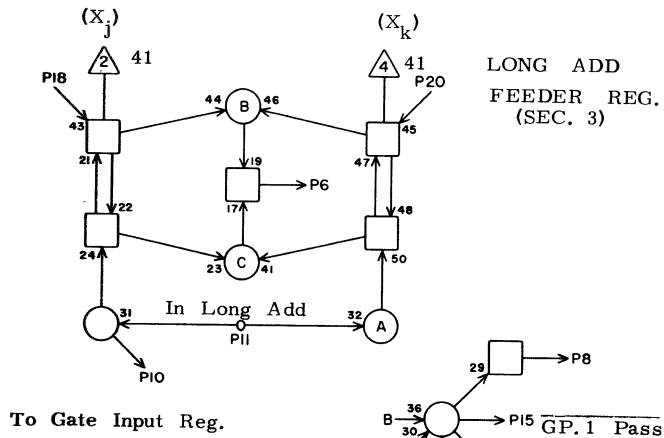
63017200 Rev. AB



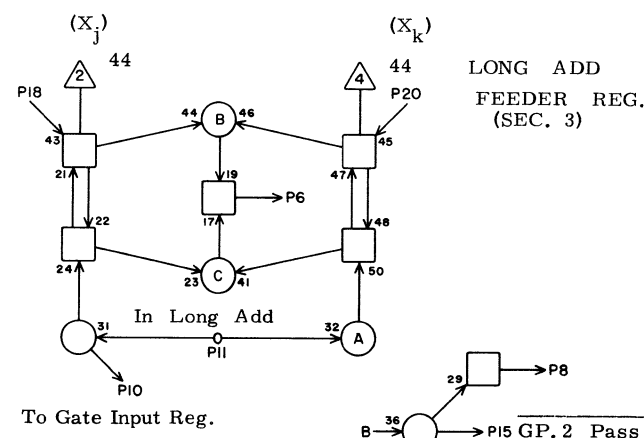
8I26

CA		8I26	
1	H27	11	7
2	H32	11	11
3	H28	11	7
4	H33	11	11
5	H29	11	7
6	H34	11	13
7	H30	11	9
8	H35	11	13
9	H31	11	9
10	H36	11	13
11	H37	11	15
12	B21	23	84
13	H38	11	15
14	I26	X	2
15	H39	11	17
16	I26	X	2
17	I27	11	5
18	I28	11	5
19	F17	18	17
20	I29	11	7
21			
22	I30	11	7
23			
24	I31	11	9
25			
26	I32	11	9
27			
28	I33	11	11
	JACK	PIN	LG

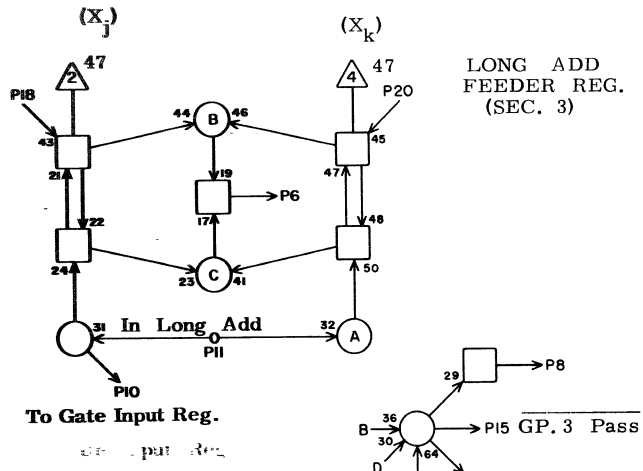
63017200 Rev. N



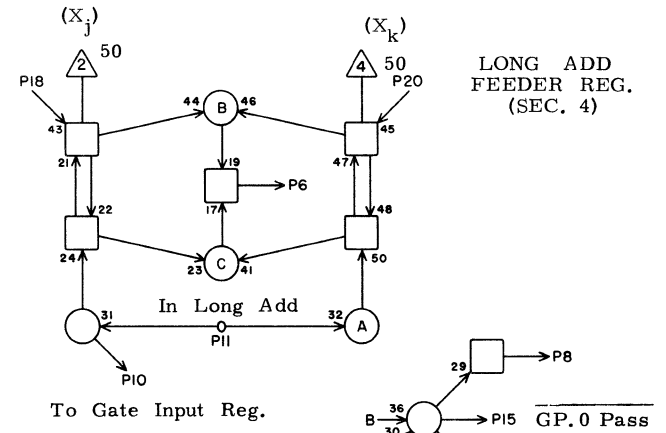
FA		8127	
1	J33	26	11
2	J33	11	11
3	K10	4	21
4			
5	K10	12	21
6	J33	10	11
7			
8	J41	7	17
9			
10	K03	13	25
11	I26	17	5
12			
13			
14			
15	I41	1	17
16			
17	I41	16	15
18	K10	20	21
19			
20	K10	28	21
21			
22			
23	K09	20	21
24			
25	J33	21	11
26	K09	28	21
27	J33	6	9
28	J33	24	11
	JACK	PIN	LG



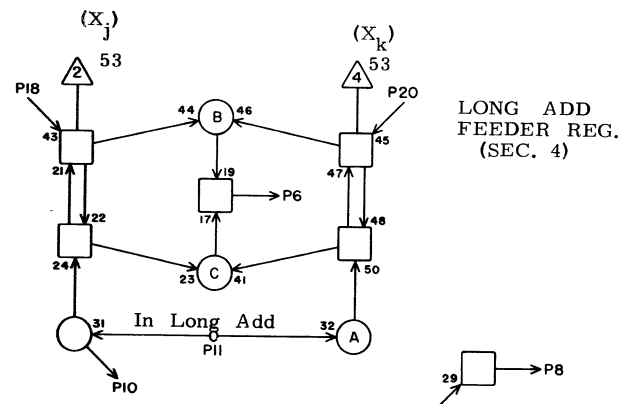
FA		8128	
1	J34	26	11
2	J34	11	11
3	K11	28	21
4			
5	K11	20	21
6	J34	10	11
7			
8	J41	5	17
9			
10	K04	13	25
11	I26	18	5
12			
13			
14			
15	I41	3	15
16			
17	I41	15	15
18	L01	12	29
19			
20	L01	4	29
21			
22			
23	K11	12	21
24			
25	J34	21	11
26	K11	4	19
27	J34	6	9
28	J34	24	11
	JACK	PIN	LG



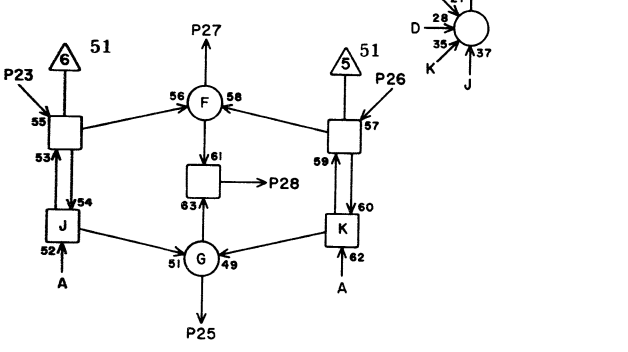
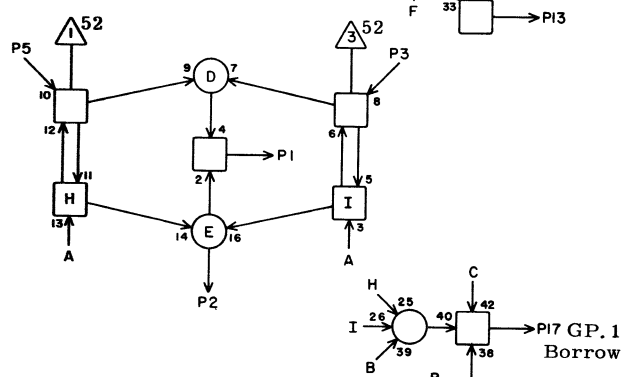
FA		8I29	
JACK	PIN	LG	
1	J35	26	11
2	J35	11	11
3	L02	4	29
4			
5	L02	12	29
6	J35	10	11
7			
8			
9			
10	K05	13	25
11	I26	20	7
12			
13			
14			
15	I41	4	15
16			
17	I41	5	15
18	L02	20	29
19			
20	L02	28	29
21			
22			
23	L01	20	31
24			
25	J35	21	11
26	L01	28	31
27	J35	6	9
28	J35	24	11



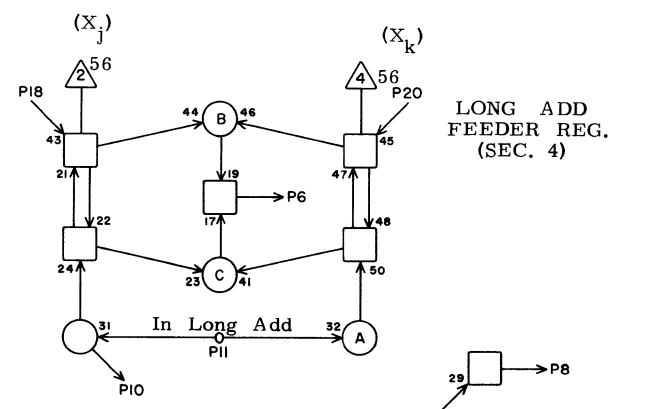
FA		8I30	
JACK	PIN	LG	
1	J36	26	11
2	J36	11	11
3	L03	28	31
4			
5	L03	20	31
6	J36	10	11
7			
8	J40	1	13
9			
10	K06	13	25
11	I26	22	7
12			
13	J40	22	13
14			
15	I42	2	15
16			
17	I42	13	15
18	L04	12	29
19			
20	L04	4	27
21			
22			
23	L03	12	29
24			
25	J36	21	11
26	L03	4	29
27	J36	6	9
28	J36	24	11



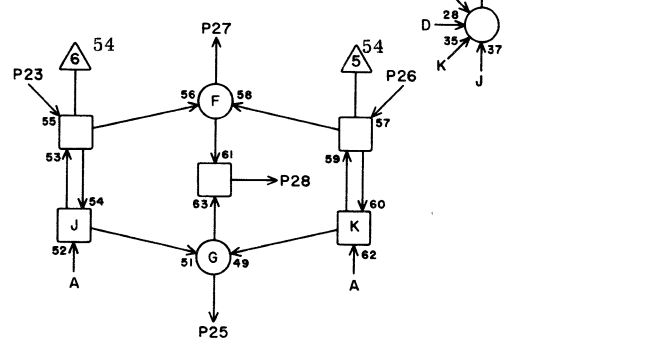
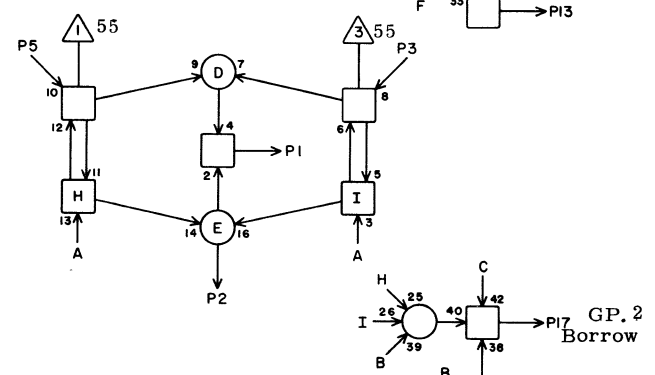
To Gate Input Reg. GP.1 Pass



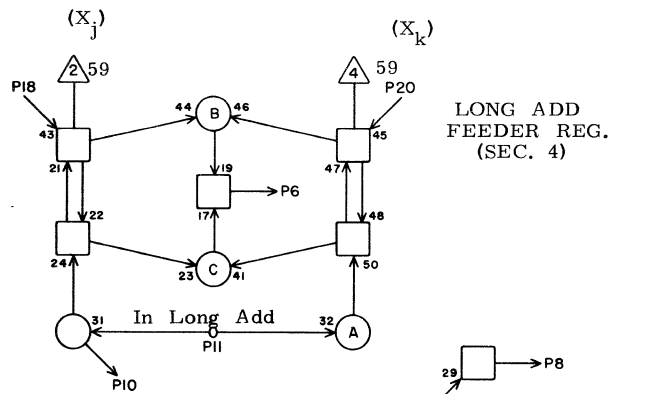
FA		8I 31	
1	J37	26	11
2	J37	11	11
3	L05	4	29
4			
5	L05	12	29
6	J37	10	11
7			
8	J40	7	13
9			
10	K07	13	25
11	I26	24	9
12			
13			
14			
15	I42	1	13
16			
17	I42	16	13
18	L05	20	29
19			
20	L05	28	29
21			
22			
23	L04	20	29
24			
25	J37	21	11
26	L04	28	29
27	J37	6	9
28	J37	24	11
	JACK	PIN	LG



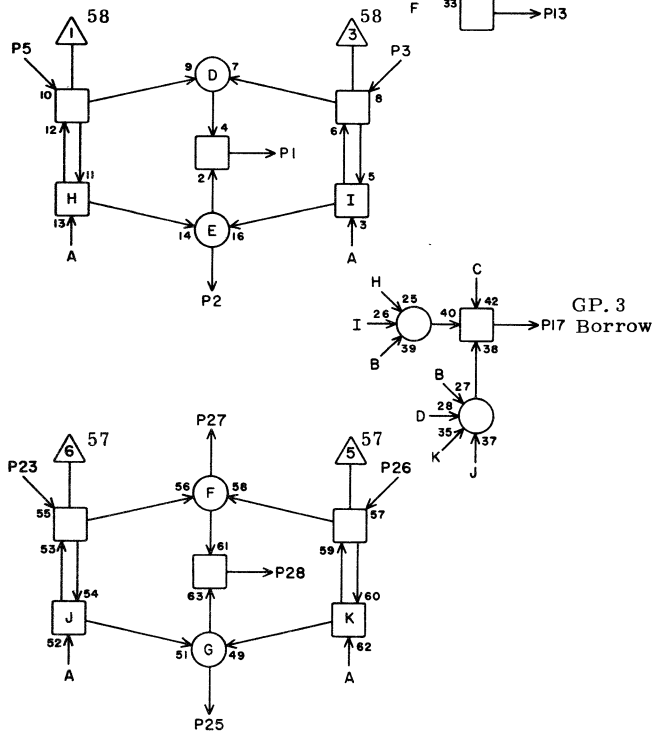
To Gate Input Reg. GP.2 Pass



FA		8I32	
1	J38	26	11
2	J38	11	11
3	L06	28	29
4			
5	L06	20	29
6	J38	10	11
7			
8	J40	5	13
9			
10	K08	13	25
11	I26	26	9
12			
13			
14			
15	I42	3	13
16			
17	I42	15	13
18	L07	12	27
19			
20	L07	4	27
21			
22			
23	L06	12	29
24			
25	J38	21	11
26	L06	4	27
27	J38	6	9
28	J38	24	11
	JACK	PIN	LG

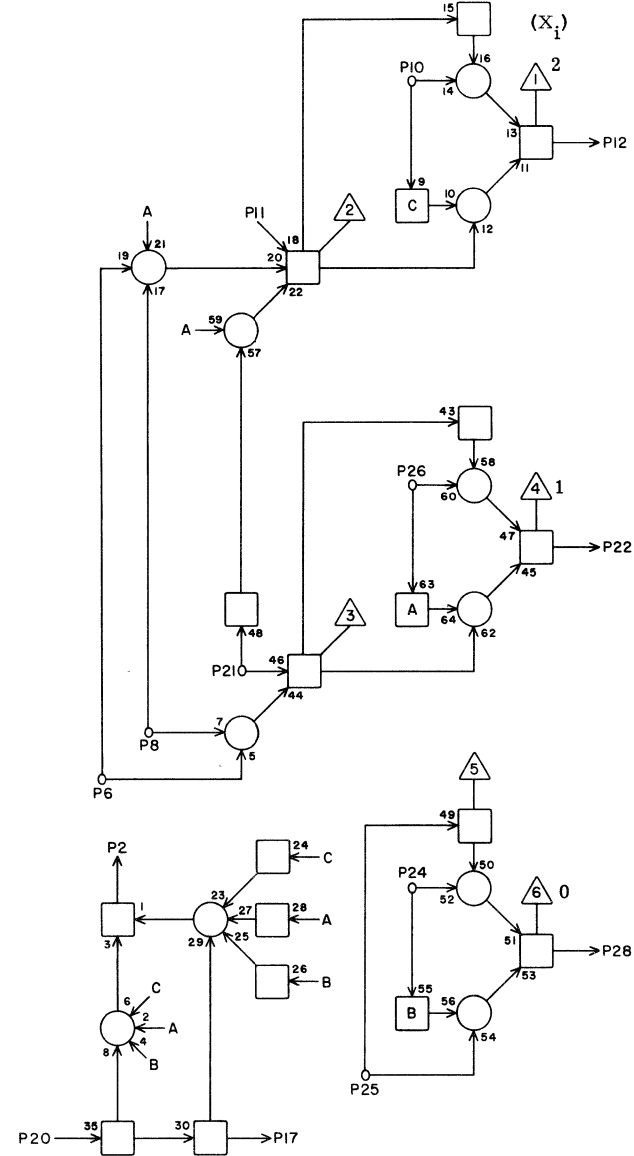


To Gate Input Reg.



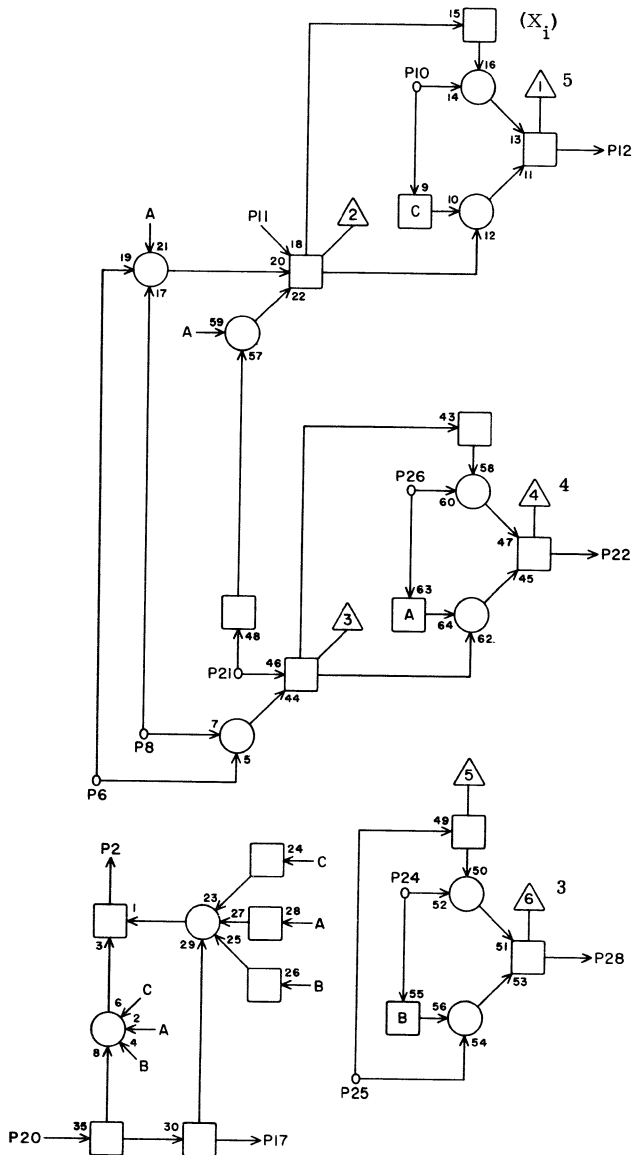
FA		8I33	
JACK	PIN	LG	
1	J39	26	11
2	J39	11	11
3	L08	4	29
4			
5	L08	12	29
6	J39	10	11
7			
8			
9			
10	K09	13	25
11	I26	28	11
12			
13			
14			
15	I42	4	11
16			
17	I42	5	13
18	L08	20	29
19			
20	L08	28	29
21			
22			
23	L07	20	29
24			
25	J39	21	11
26	L07	28	29
27	J39	6	9
28	J39	24	11

LONG ADD RESULT NETWORK (SEC. 0)



FE		8I34	
JACK	PIN	LG	
1			
2	I20	4	17
3			
4			
5			
6	H27	27	9
7			
8	H40	28	9
9			
10	H27	6	11
11	H27	2	11
12	M01	16	35
13			
14			
15			
16			
17	I35	20	5
18			
19			
20	G15	25	21
21	H27	25	11
22	M01	11	35
23			
24	H27	28	11
25	H40	26	11
26	H27	1	13
27			
28	M01	5	35

LONG ADD RESULT NETWORK (SEC. 0)

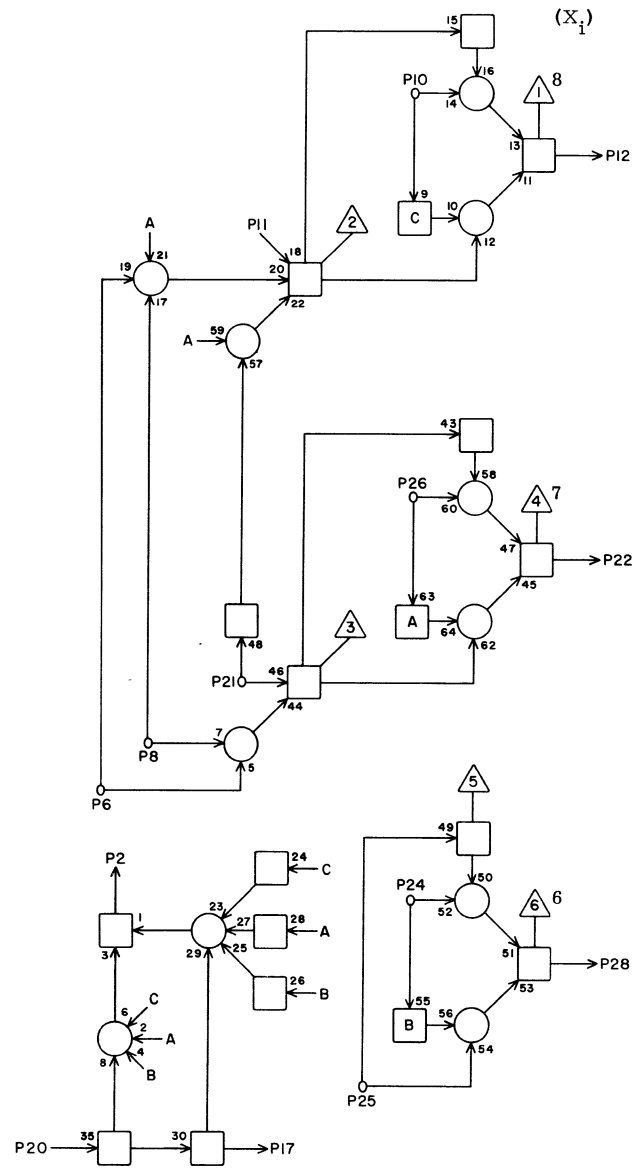


FE 8I35

1			
2	I20	6	17
3			
4			
5			
6	H28	27	9
7			
8	H40	24	9
9			
10	H28	6	11
11	H28	2	11
12	M02	11	35
13			
14			
15			
16			
17			
18			
19			
20	I34	17	5
21	H28	25	11
22	M02	5	35
23			
24	H28	28	11
25	H40	23	9
26	H28	1	13
27			
28	M01	26	37
	JACK	PIN	LG

63017200 Rev. E

LONG ADD RESULT NETWORK (SEC. 0)

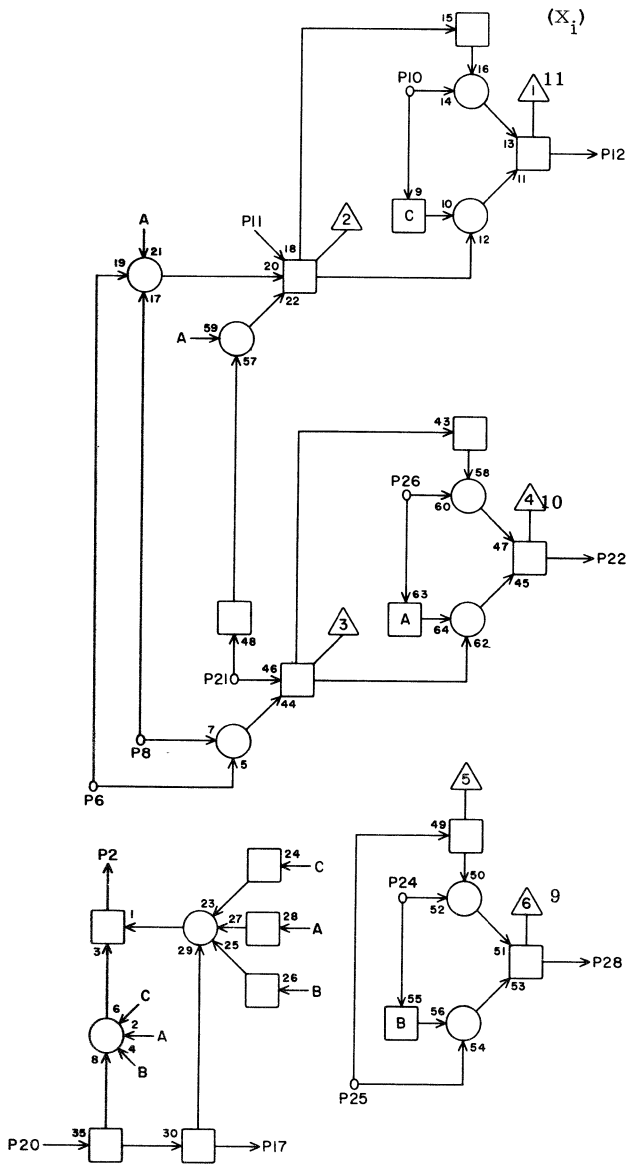


FE 8I36

1			
2	I20	8	19
3			
4			
5			
6	H29	27	9
7			
8	H40	22	7
9			
10	H29	6	11
11	H29	2	11
12	M03	5	35
13			
14			
15			
16			
17	I37	20	5
18			
19			
20	G15	23	23
21	H29	25	11
22	M02	26	37
23			
24	H29	28	11
25	H40	21	9
26	H29	1	13
27			
28	M02	16	37
	JACK	PIN	LG

63017200 Rev. E

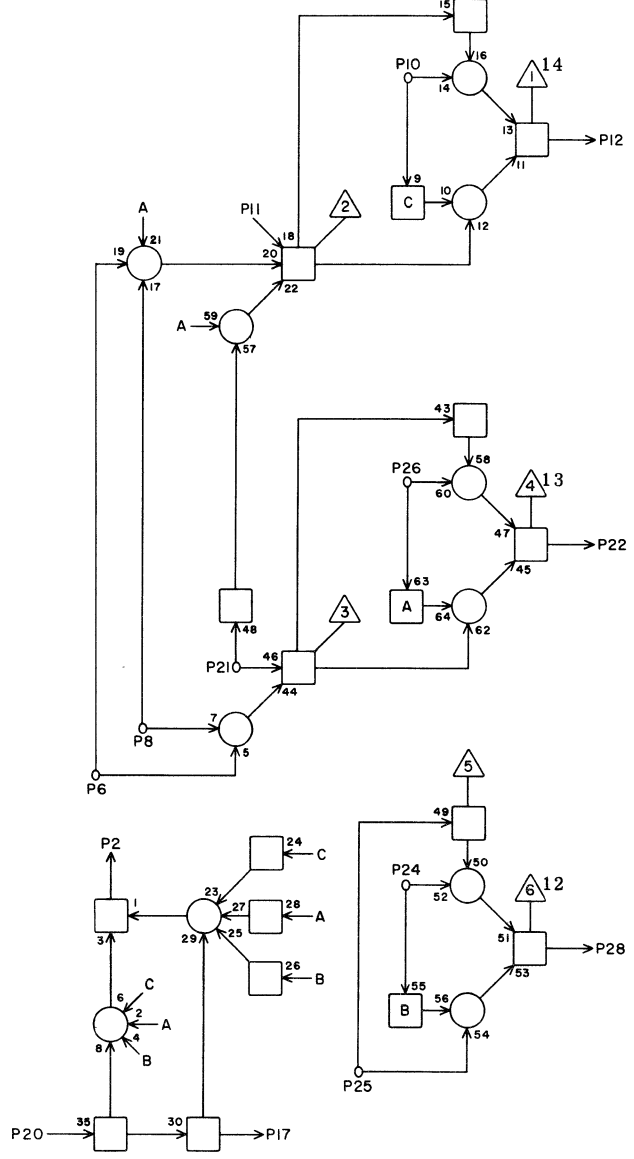
LONG ADD RESULT NETWORK (SEC. 0)



FE 8137

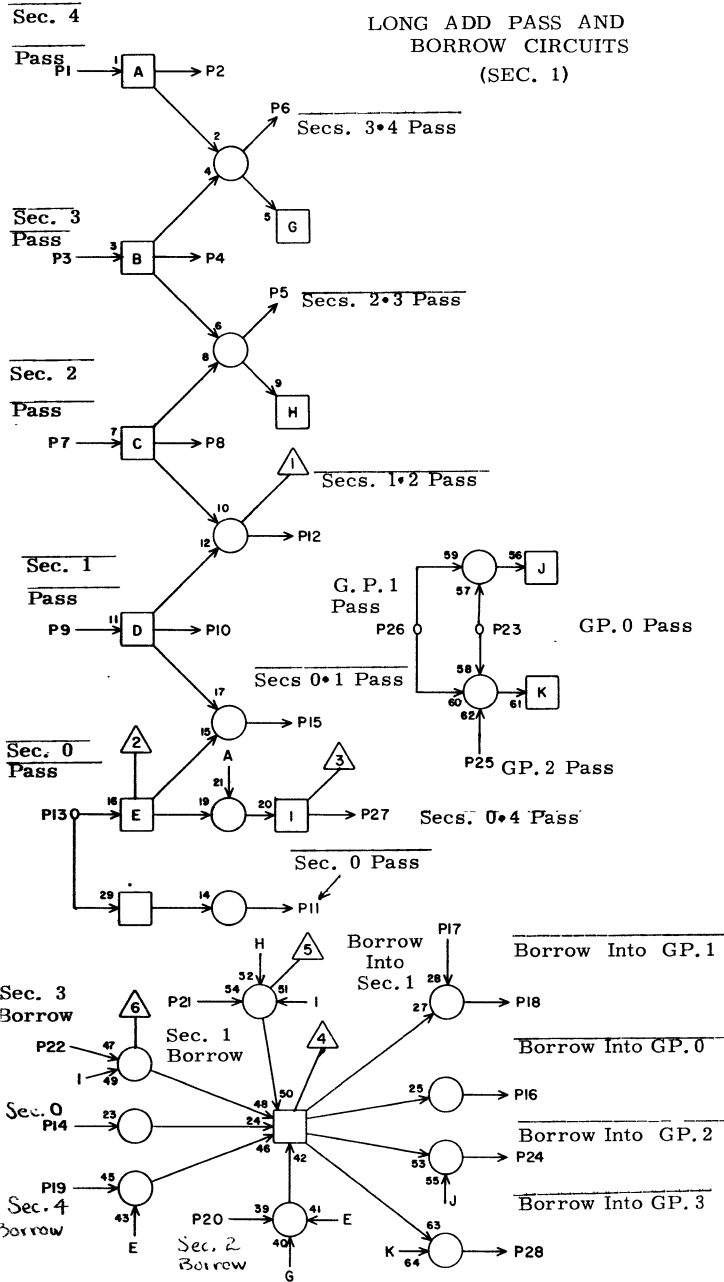
JACK	PIN	LG
1		
2	I20	10 19
3		
4		
5		
6	H30	27 9
7		
8	H40	20 7
9		
10	H30	6 11
11	H30	2 11
12	M03	26 37
13		
14		
15		
16		
17		
18		
19		
20	I36	17 5
21	H30	25 11
22	M03	16 37
23		
24	H30	28 11
25	H40	17 9
26	H30	1 13
27		
28	M03	11 37

LONG ADD RESULT NETWORK (SEC. 1) (X_i)



FE 8138

JACK	PIN	LG
1		
2	I20	12 19
3		
4		
5		
6	H31	27 9
7		
8	H41	28 7
9		
10	H31	6 11
11	H31	2 11
12	M04	16 37
13		
14		
15		
16		
17	J25	20 17
18		
19		
20	G15	26 25
21	H31	25 11
22	M04	11 37
23		
24	H31	28 11
25	H41	26 7
26	H31	1 13
27		
28	M04	5 35

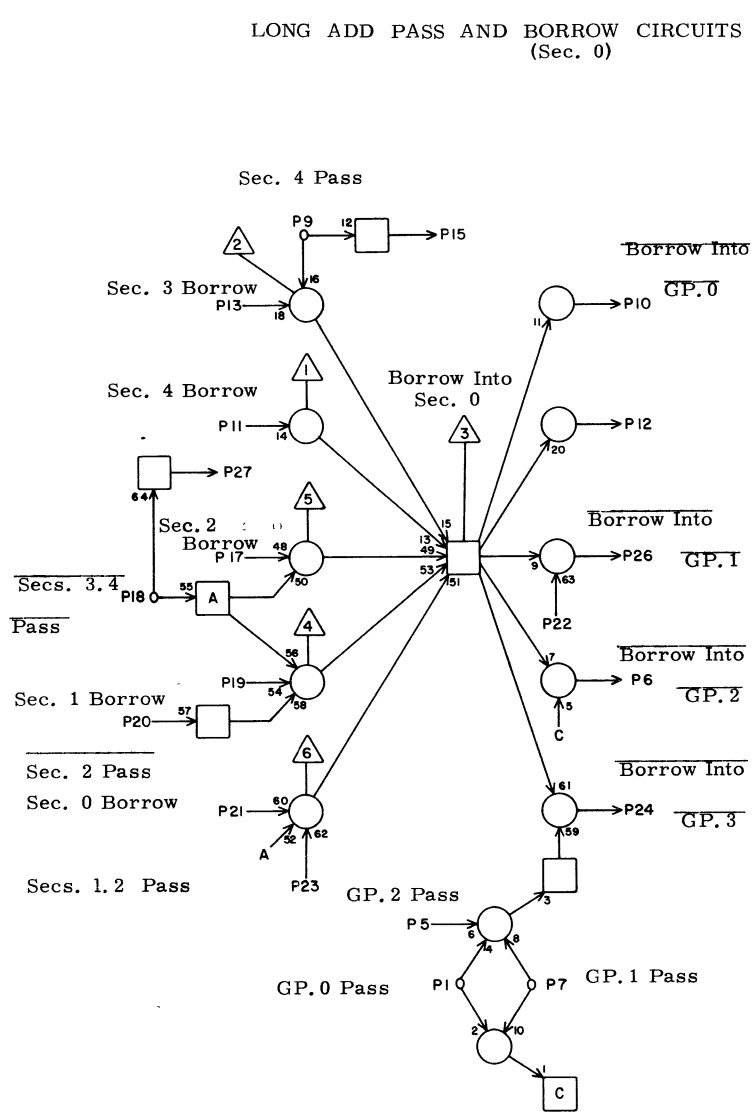


FC 8I39

1	I42	6	5
2	I40	9	5
3	I41	6	5
4	J40	9	7
5	J40	18	9
6	I40	18	9
7	H42	6	9
8	J41	9	7
9	H41	6	7
10	J42	9	9
11	J41	20	9
12	J41	18	7
13	H40	6	7
14	H40	8	7
15	J42	18	9
16	H41	27	7
17	H31	8	13
18	H41	25	7
19	I42	8	5
20	H42	8	9
21	H41	8	9
22	I41	8	5
23	H31	13	13
24	H41	19	9
25	H33	8	11
26	H32	8	13
27	J41	23	7
28	H41	18	9

JACK PIN LG

63017200 Rev. E



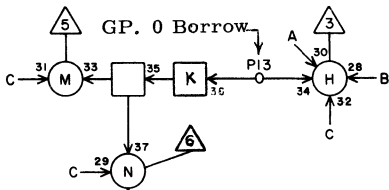
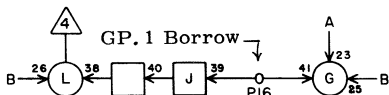
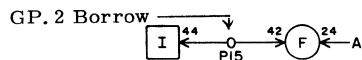
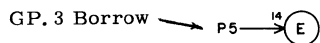
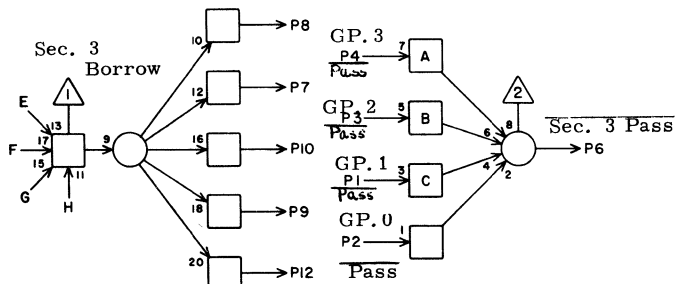
FD 8I 40

1	H27	13	15
2			
3			
4			
5	H29	8	15
6	H40	19	7
7	H28	8	15
8			
9	I39	2	5
10	H40	27	7
11	I42	7	5
12			
13	I41	7	5
14			
15	J42	20	7
16			
17	H42	7	9
18	I39	6	9
19	H41	7	9
20	J41	15	7
21	H40	7	9
22	H27	8	17
23	J41	27	7
24	H40	18	7
25			
26	H40	25	7
27	J42	23	7
28			

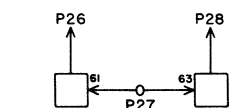
JACK PIN LG

63017200 Rev. E

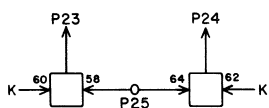
LONG ADD PASS AND BORROW CIRCUITS
(SEC. 3)



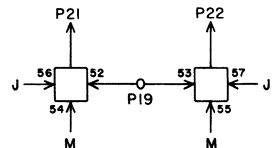
GP. 0 Borrow Input



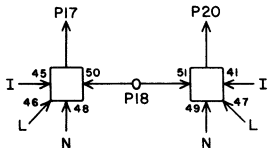
GP. 1 Borrow Input



GP. 2 Borrow Input

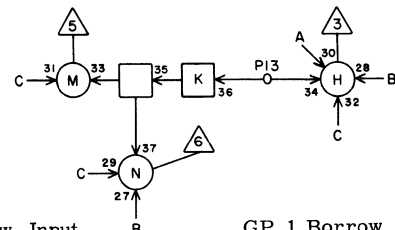
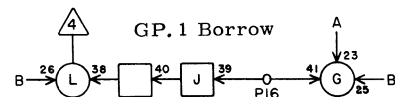
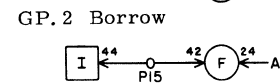
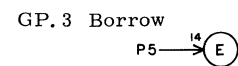
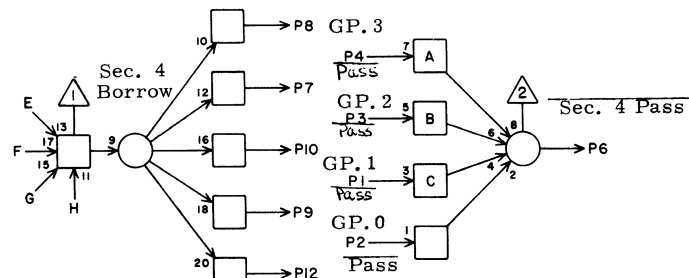


GP. 3 Borrow Input

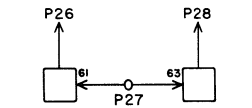


FB	8I41		
1	I27	15	17
2	H39	15	7
3	I28	15	15
4	I29	15	15
5	I29	17	15
6	I39	3	5
7	I40	13	5
8	I39	22	5
9	J41	21	9
10	J40	11	7
11			
12	J42	19	9
13	H39	17	7
14			
15	I28	17	15
16	I27	17	15
17	J35	25	11
18	J41	24	7
19	J41	6	7
20	J35	8	9
21	J34	25	11
22	J34	8	11
23	J33	25	13
24	J33	8	11
25	J41	26	7
26	J32	25	13
27	J41	10	7
28	J32	8	13
	JACK	PIN	LG

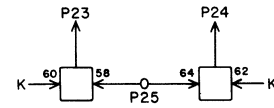
LONG ADD PASS AND BORROW CIRCUITS
(SEC. 4)



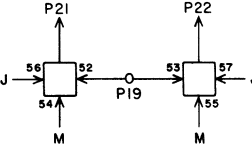
GP. 0 Borrow Input



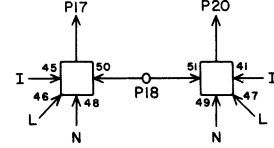
GP. 1 Borrow Input



GP. 2 Borrow Input

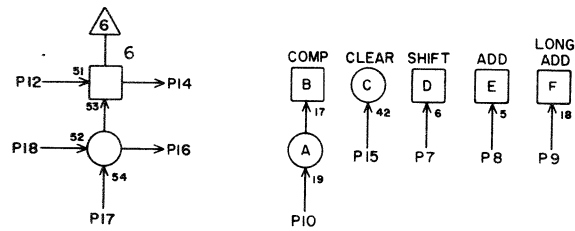
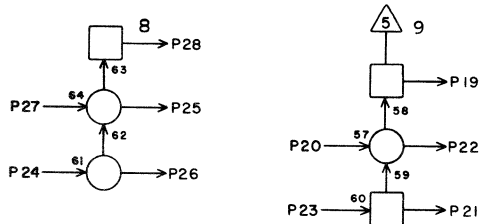
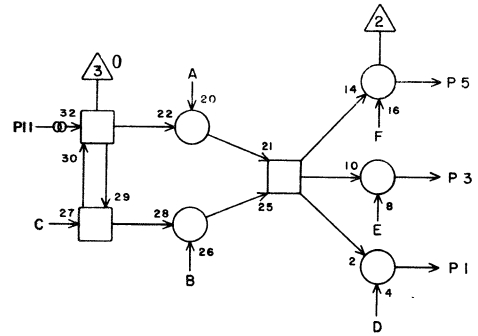
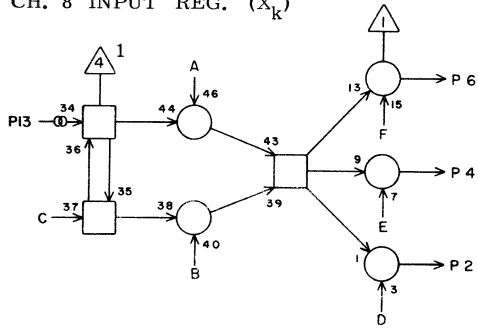


GP. 3 Borrow Input



FB	8I42		
1	I31	15	13
2	I30	15	15
3	I32	15	13
4	I33	15	11
5	I33	17	13
6	I39	1	5
7	I40	11	5
8	I39	19	5
9	J41	19	9
10	J40	21	9
11			
12	J42	17	7
13	I30	17	15
14			
15	I32	17	13
16	I31	17	13
17	J39	25	9
18	J40	24	9
19	J40	6	7
20	J39	8	7
21	J38	25	9
22	J38	8	7
23	J37	25	9
24	J37	8	9
25	J40	26	7
26	J36	25	11
27	J40	10	7
28	J36	8	9
	JACK	PIN	LG

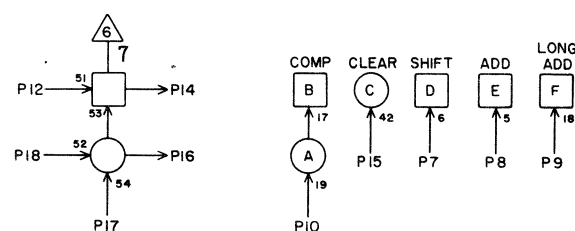
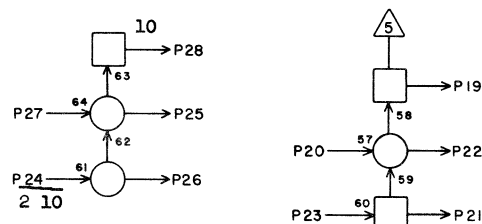
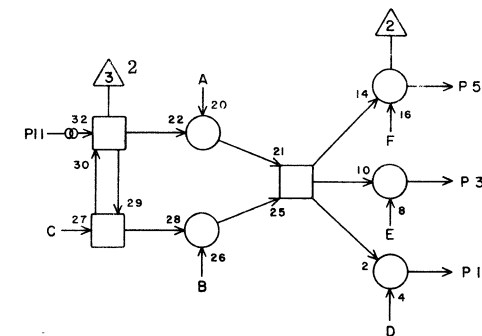
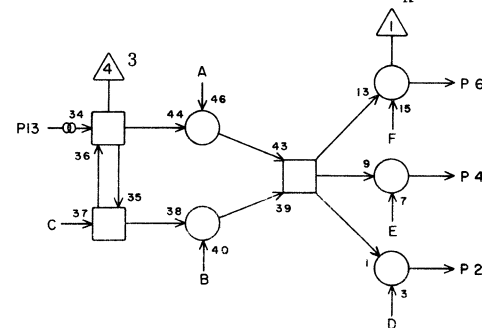
CH. 8 INPUT REG. (X_k)



KP		8J 01	
1	J12	9	13
2	J12	2	13
3	K21	9	21
4	K22	22	23
5	H27	26	27
6	H27	3	27
7	J12	14	13
8	M20	1	23
9	H27	10	27
10	J21	1	21
11	W26	90	
12			
13	W26	91	
14	I10	4	13
15	I16	1	17
16	I10	1	15
17	H19	5	23
18	H21	19	23
19	I13	4	15
20	H21	17	23
21	H19	8	21
22	I13	1	17
23	L16	3	19
24	L16	10	19
25	I12	1	15
26	H19	7	23
27	H21	15	23
28	I12	4	15
	JACK	PIN	LG

63017200 Rev. E

CH. 8 INPUT REG. (X_k)



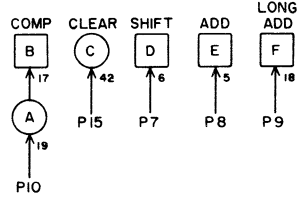
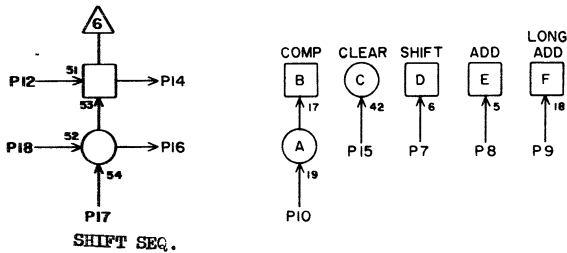
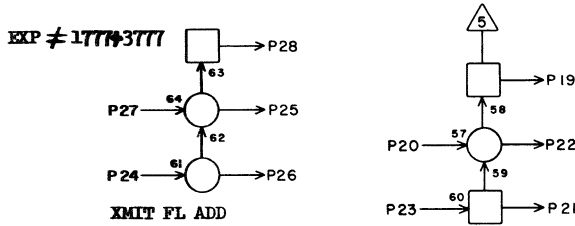
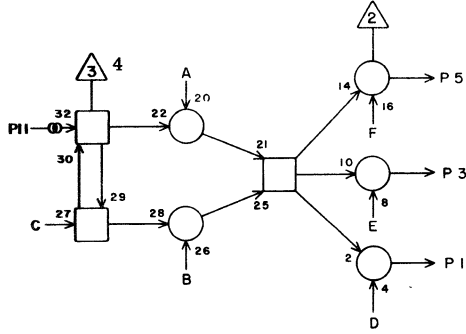
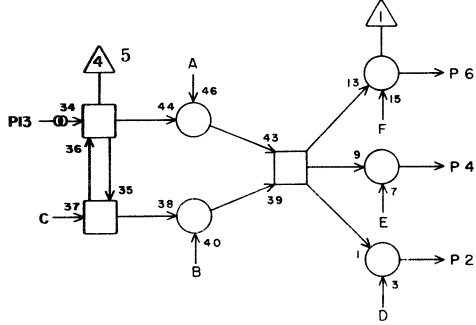
KP 8J 02

KP		8J 02	
1	J12	24	13
2	J12	18	13
3	K22	9	21
4	K23	22	23
5	H27	20	27
6	H28	26	27
7	J13	14	13
8	M20	2	23
9	H28	10	27
10	J21	2	21
11	W26	92	
12			
13	W26	93	
14	I11	4	13
15	I16	2	17
16	I11	1	15
17	H19	3	21
18	H21	23	23
19			
20	G18	12	21
21			
22	N29	19	31
23	L32	28	29
24	H19	1	23
25	I14	1	15
26	G17	24	19
27	H21	21	23
28	I14	4	15
	JACK	PIN	LG

63017200 Rev. J

8J02

CH. 8 INPUT REG. (X_k)



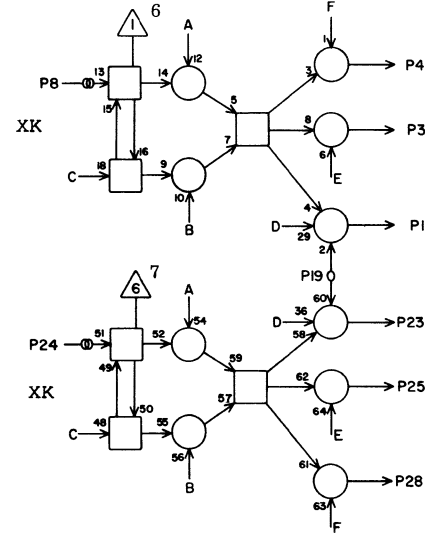
KP 8J 03

1	J13	9J	13
2	J13	2	13
3	K23	9	21
4	K24	22	23
5	H28	3	27
6	H28	20	27
7	J14	14	13
8	M20	3	23
9	H29	10	27
10	J21	3	19
11	W26	94	
12			
13	W26	95	
14			
15	I16	3	15
16	J03	23	120
17	F28	15	29
18	H25	1	25
19			
20			
21	G17	28	19
22	B24	19	41
23	J03	16	120
24	D17	6	41
25	D28	5	37
26			
27	G18	14	21
28			

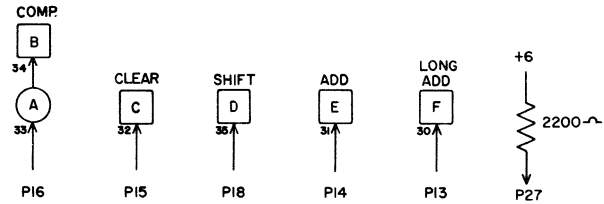
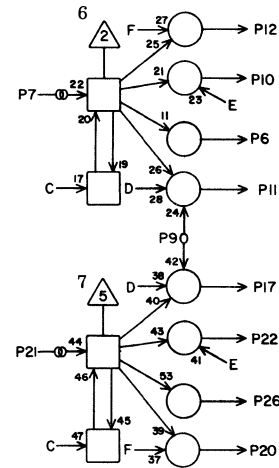
JACK PIN LG

63017200 Rev. E

CH. 8 INPUT REG. (X_k)



INPUT REG. (X_j)



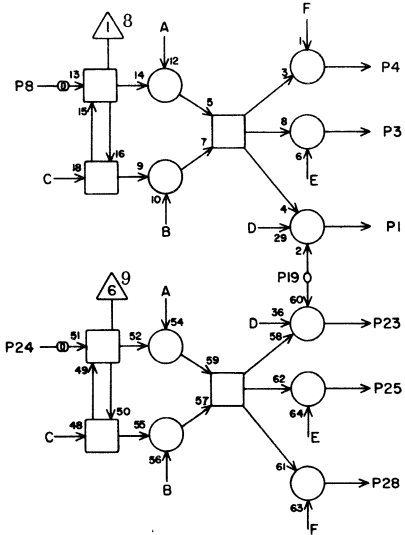
KM 8J 04

1	J13	24	11
2			
3	K24	9	21
4	H29	26	27
5			
6	K30	11	120
7	W28	96	
8	W26	96	
9	H22	27	19
10	K24	11	21
11	L15	27	17
12	H29	23	27
13	H30	10	27
14	M20	4	21
15	I16	4	15
16	J21	4	19
17	L15	19	17
18	J15	14	13
19	J04	x	2
20	H29	5	27
21	W28	97	
22	K25	20	23
23	J13	18	11
24	W26	97	
25	K25	22	23
26	K30	5	120
27	E13	13	25
28	H29	3	27

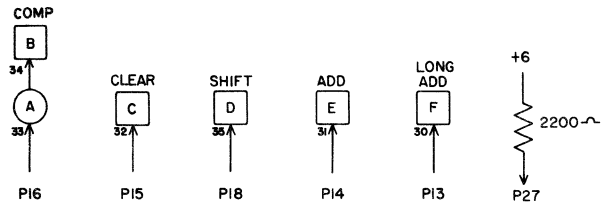
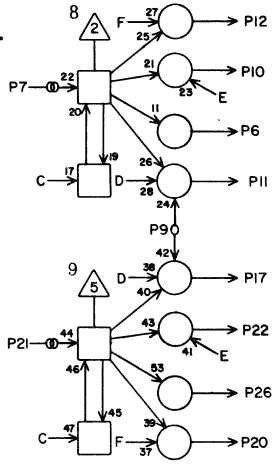
JACK PIN LG

63017200 Rev. E

CH. 8 INPUT REG. (X_k)



INPUT REG. (X_j)



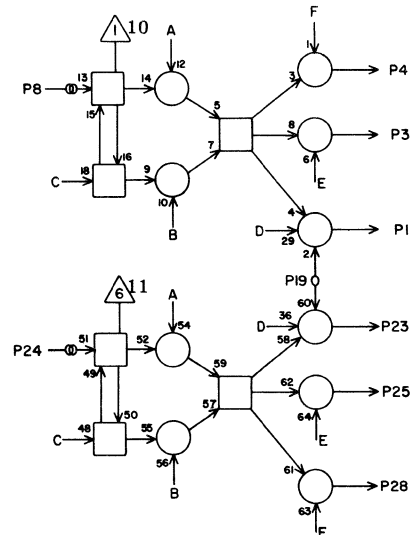
KM 8J 05

1	J14	9	11
2			
3	K25	9	21
4	H29	20	25
5			
6	K30	10	120
7	W28	98	
8	W26	98	
9	H22	23	21
10	K25	11	23
11	L16	11	17
12	H29	18	25
13	H31	10	27
14	M20	5	21
15	I16	5	13
16	J21	5	19
17	L16	4	15
18	J16	14	13
19	J05	X	2
20	H30	23	27
21	W28	99	
22	K26	20	23
23	J14	2	11
24	W26	99	
25	K26	22	23
26	K30	7	120
27			
28	H30	26	27

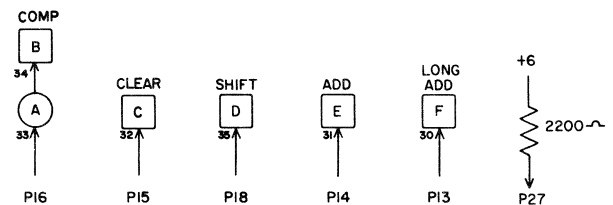
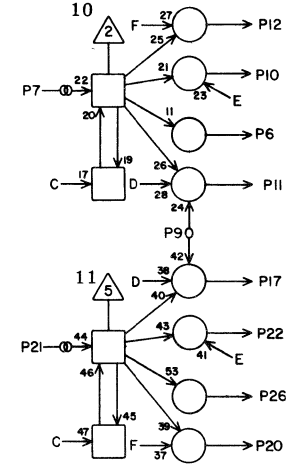
JACK PIN LG

63017200 Rev. E

CH. 8 INPUT REG. (X_k)



INPUT REG. (X_j)

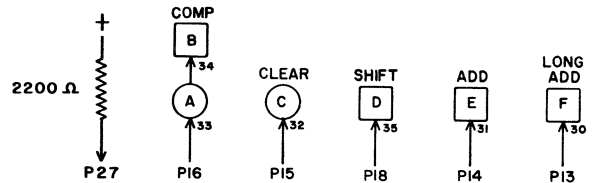
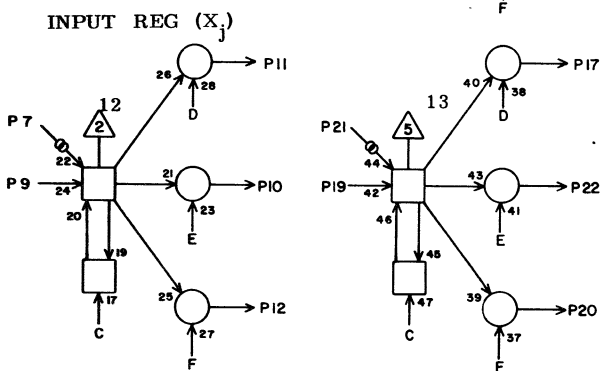
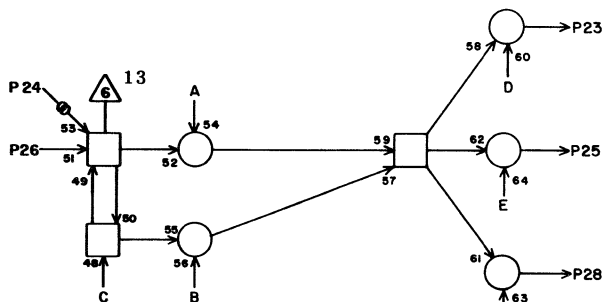
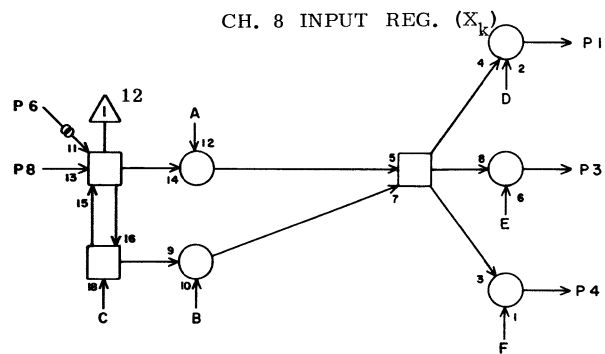


KM 8J 06

1	J14	24	11
2			
3	K26	9	21
4	H30	3	27
5			
6	K30	9	120
7	W28	900	
8	W26	900	
9	H22	19	21
10	K26	11	23
11	L16	27	17
12	H30	5	27
13	H32	10	27
14	M20	6	19
15	I16	6	13
16	J21	6	17
17			
18	K12	14	11
19	J06	X	2
20	H30	18	25
21	W28	901	
22	L21	20	19
23	J14	18	11
24	W26	901	
25	L21	22	19
26			
27			
28	H30	20	25

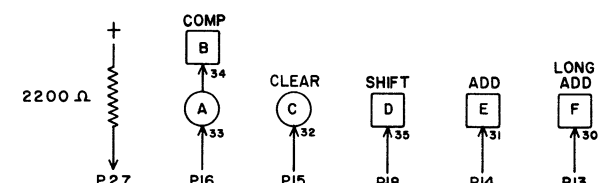
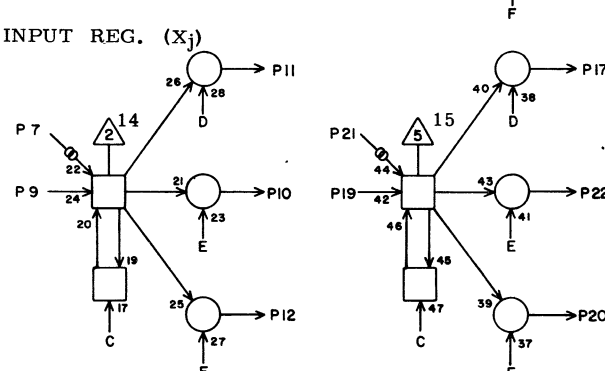
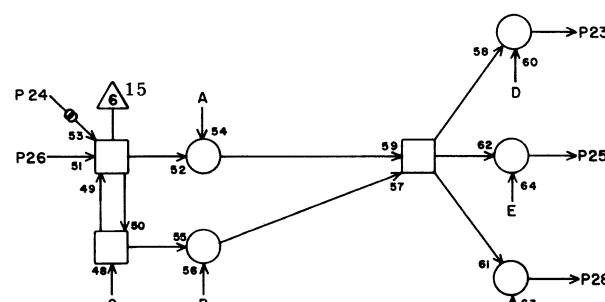
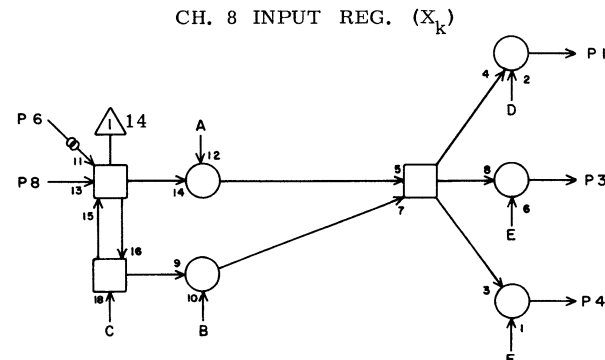
JACK PIN LG

63017200 Rev. E



KA 8J 07

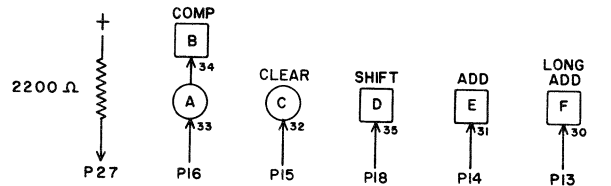
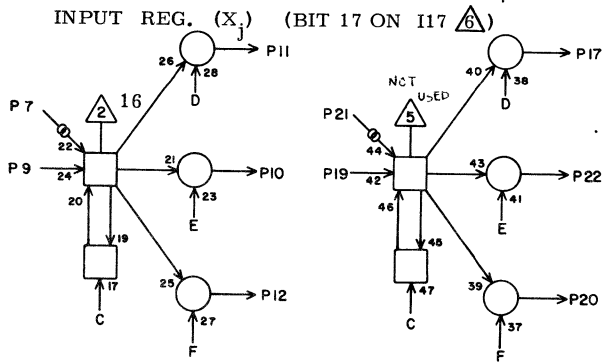
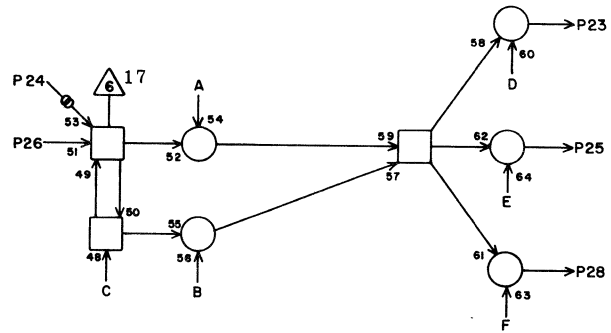
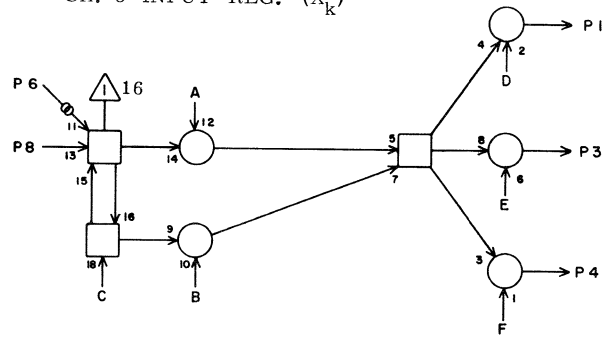
JACK	PIN	LG
1	J15	9 11
2		
3	L21	9 19
4	H31	26 25
5		
6	W26	902
7	W28	902
8	J07	X 2
9	J07	X 2
10	L21	11 19
11		
12	H31	23 25
13	H33	10 27
14	M20	7 19
15	I16	7 13
16	J21	7 17
17		
18	K13	14 11
19	J07	X 2
20	H31	5 27
21	W28	903
22	L22	20 19
23	J15	2 11
24	W26	903
25	L22	22 19
26	J07	X 2
27	IO1	4 13
28	H31	3 27



KA 8J 08

JACK	PIN	LG
1	J15	24 9
2		
3	L22	9 19
4	H31	20 25
5		
6	W26	904
7	W28	904
8	J08	X 2
9	J08	X 2
10	L22	11 19
11		
12	H31	18 25
13	H34	10 27
14	M30	8 19
15	I16	8 11
16	J21	8 15
17		
18	K14	14 11
19	J08	X 2
20	H32	23 27
21	W28	905
22	L23	20 19
23	J15	18 9
24	W26	905
25	L23	22 19
26	J08	X 2
27	IO2	4 13
28	H32	26 25

CH. 8 INPUT REG. (X_k)

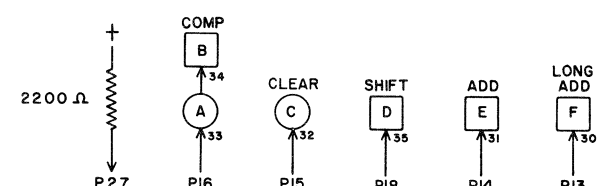
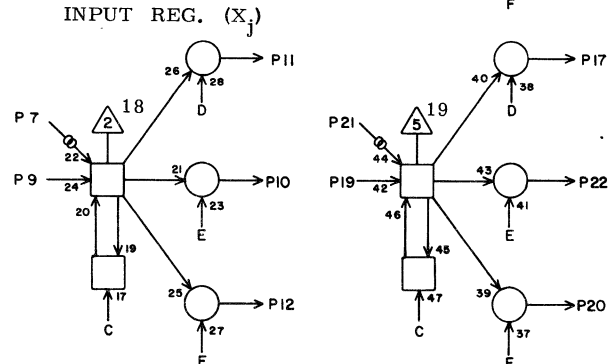
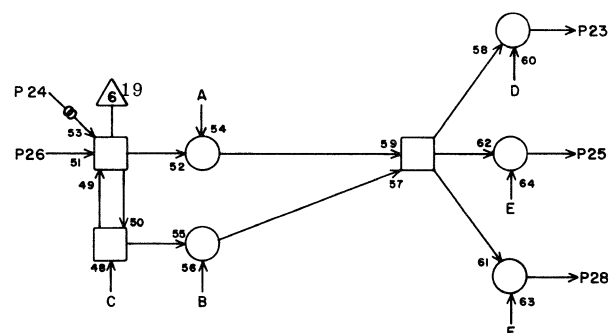
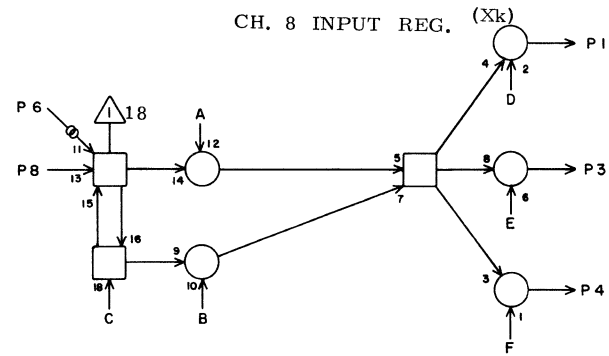


KA 8J 09

JACK	PIN	LG
1	J16	9 11
2		
3	L23	9 19
4	H32	3 25
5		
6	W26	906
7	W28	906
8	J09	X 2
9	J09	X 2
10	L23	11 19
11		
12	H32	5 25
13	H35	10 27
14	M20	9 19
15	I16	9 11
16	J21	9 15
17		
18	K15	14 11
19	J09	X 2
20		
21		
22		
23	J16	2 9
24	W26	907
25	L24	22 19
26	J09	X 2
27	I03	4 13
28	H32	20 25

63017200 Rev. E

CH. 8 INPUT REG. (X_k)



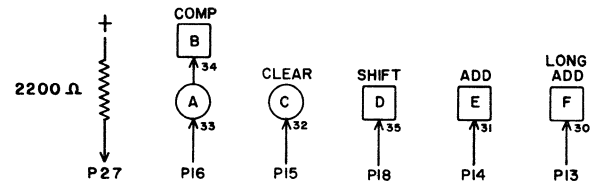
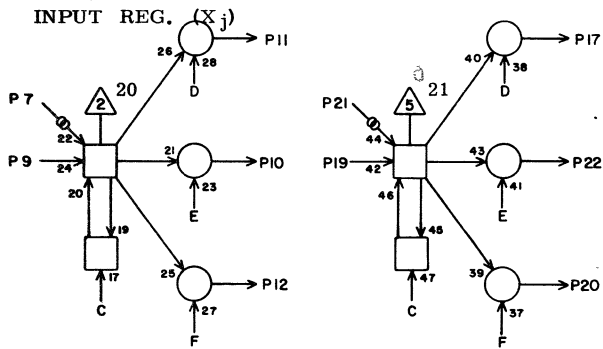
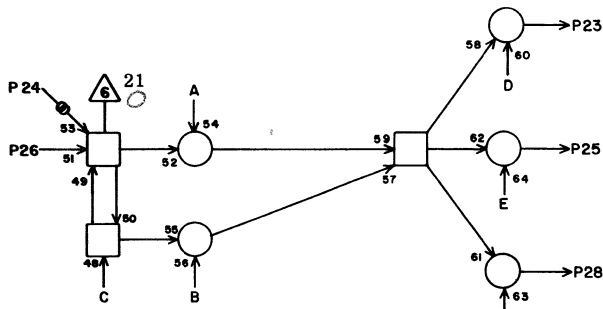
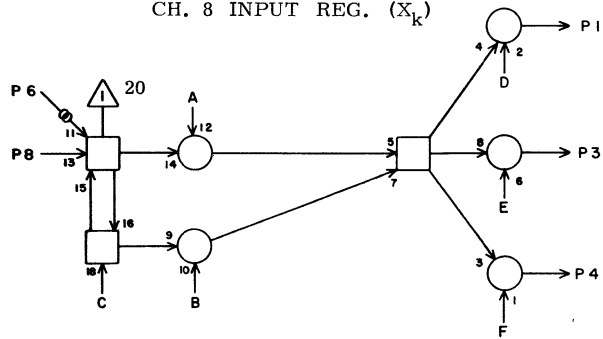
8J10

KA 8J 10

JACK	PIN	LG
1	J16	24 9
2		
3	L24	9 19
4	H33	26 25
5		
6	W27	90
7	W29	90
8		X 2
9		X 2
10	L24	11 19
11		
12	H33	23 25
13	H36	10 27
14	M20	10 17
15	I16	10 9
16	J21	10 13
17		
18	K16	14 11
19	J10	X 2
20	H33	5 25
21	W29	91
22	L25	20 19
23	J16	18 9
24	W27	91
25	L25	22 19
26	J10	X 2
27	I15	4 11
28	H33	3 27

63017200 Rev. E

CH. 8 INPUT REG. (X_k)



KA

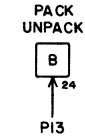
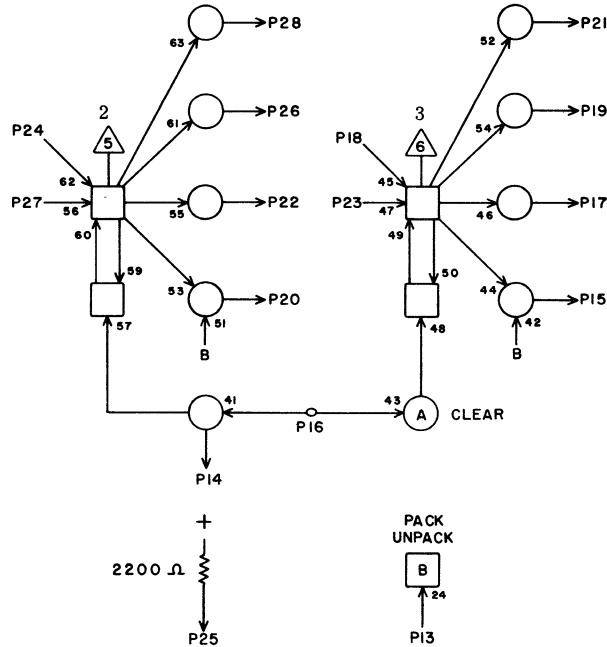
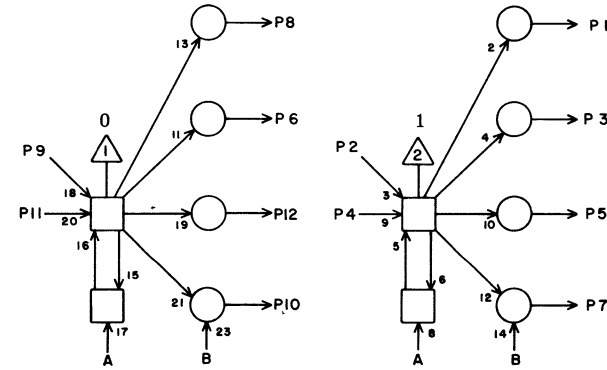
8J 11

1	K12	9	9
2			
3	L25	9	19
4	H33	20	23
5			
6	W27	92	
7	W29	92	
8	J11	X	2
9	J11	X	2
10	L25	11	19
11			
12	H33	18	25
13	H37	10	27
14	M20	11	17
15	I16	11	9
16	J21	11	13
17			
18	L12	14	11
19	J11	X	2
20	H34	23	25
21	W29	93	
22	L26	20	19
23	K12	2	5
24	W27	93	
25	L26	22	19
26	J11	X	2
27			
28	H34	26	25

JACK PIN LG

63017200 Rev. E

SHIFT FEEDER REG. ($X_k + X_i$)



KB

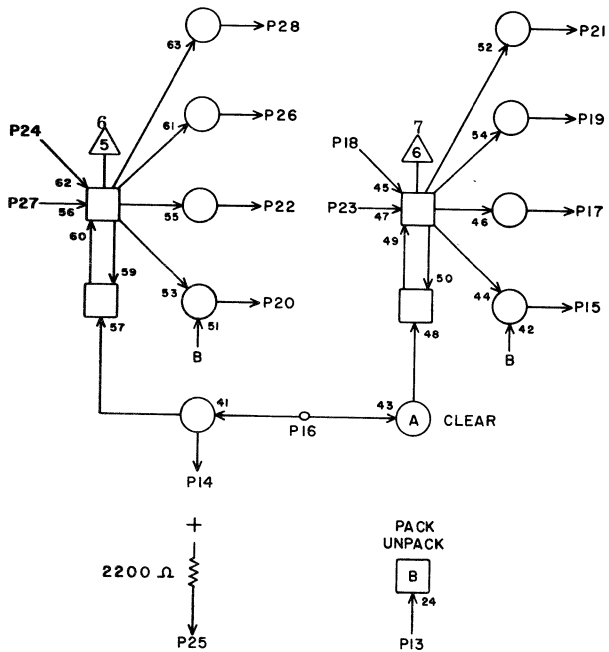
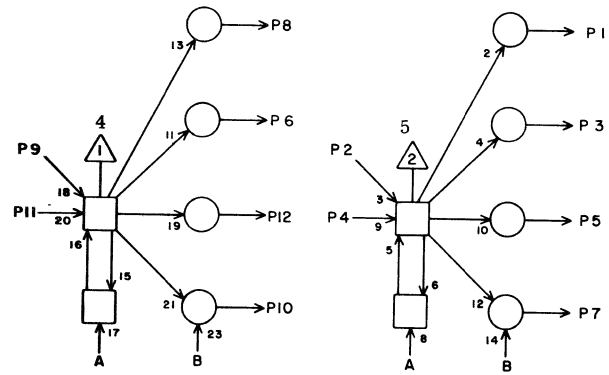
8J 12

1	Q11	5	31
2	J01	2	13
3	G30	2	23
4			
5			
6	G30	4	23
7	I01	22	15
8	Q11	19	31
9	J01	1	13
10	I01	13	13
11			
12			
13	J17	15	7
14	J01	7	13
15	I02	13	13
16	M18	19	15
17			
18	J02	2	13
19	G30	11	23
20	I01	27	13
21	Q12	19	29
22			
23			
24	J02	1	13
25			
26	G30	12	23
27			
28	Q11	23	29

JACK PIN LG

63017200 Rev. P

SHIFT FEEDER REG. ($X_k + X_i$)



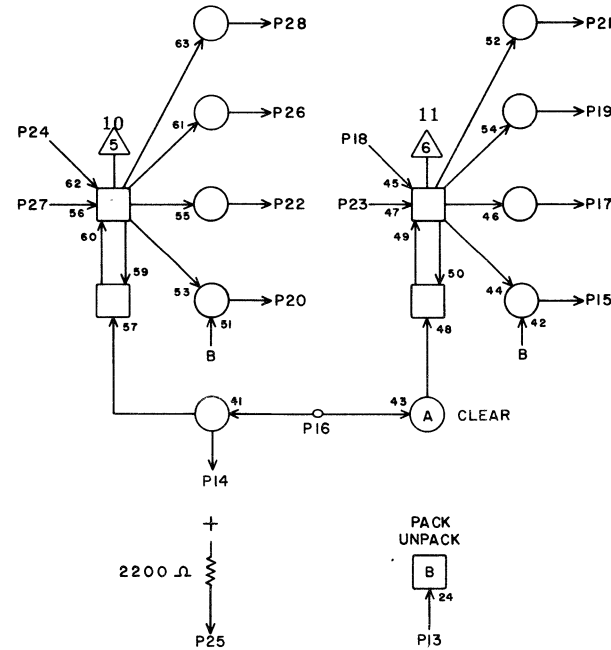
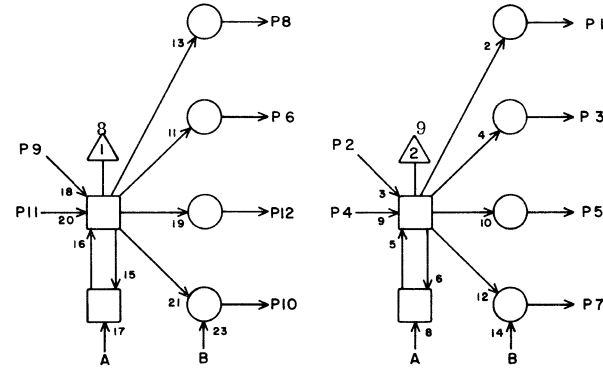
KB 8J 13

1	Q12	23	31
2	J03	2	13
3	G30	28	21
4			
5			
6	G30	27	21
7	I02	27	13
8	Q12	5	31
9	J03	1	13
10	I02	22	15
11			
12			
13	J17	7	7
14	J02	7	13
15	I03	22	13
16	M18	20	15
17			
18	J04	23	11
19	G30	25	23
20	I03	13	13
21	Q13	5	29
22			
23			
24	J04	1	11
25			
26	G30	21	23
27			
28	Q13	19	29

JACK PIN LG

63017200 Rev. P

SHIFT FEEDER REG. ($X_k + X_i$)



KB 8J 14

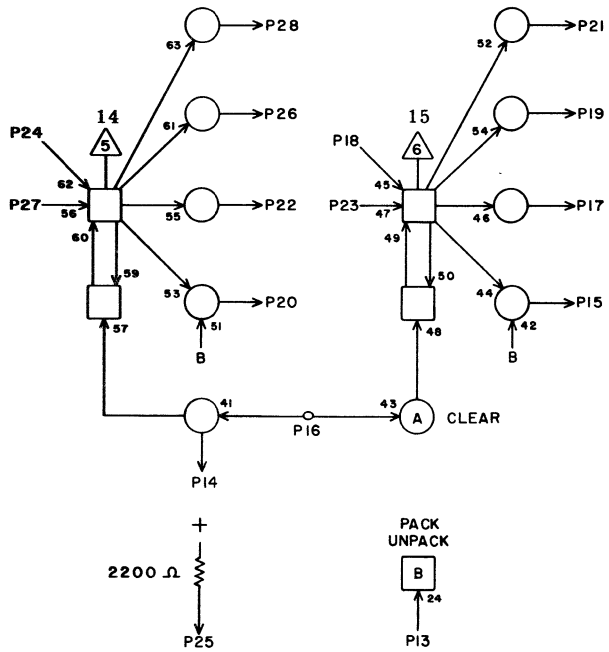
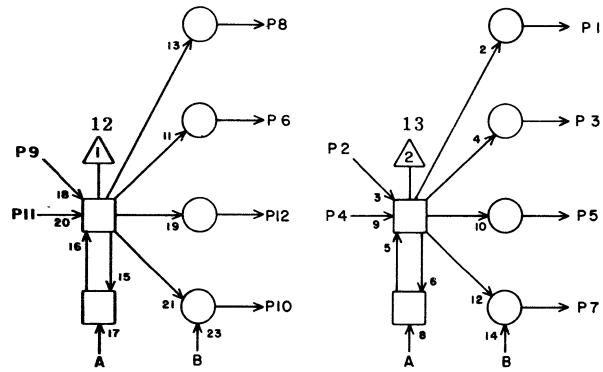
1	Q14	19	31
2	J05	23	11
3	G29	2	21
4			
5			
6	G29	4	21
7	I04	13	13
8	Q13	23	31
9	J05	1	11
10	I03	27	13
11			
12			
13	J17	6	5
14	J03	7	13
15	I04	27	13
16	M18	21	15
17			
18	J06	23	11
19	G29	11	21
20	I04	22	13
21	Q14	23	29
22			
23			
24	J06	1	11
25			
26	G29	12	23
27			
28	Q14	5	29

JACK PIN LG

63017200 Rev. P

8J14

SHIFT FEEDER REG. ($X_k + X_i$)

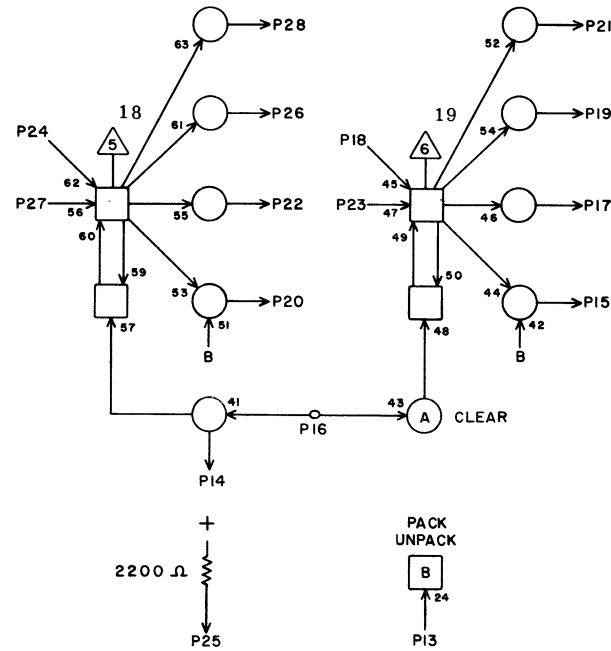
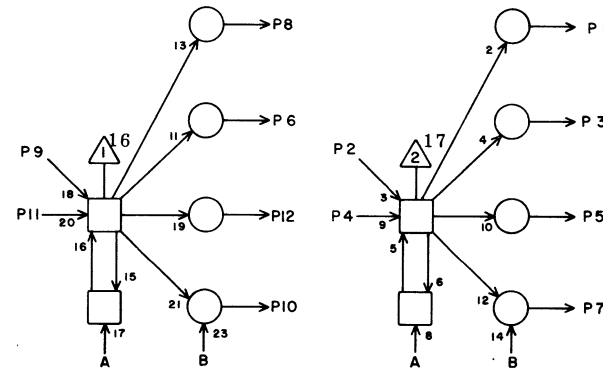


KB 8J 15

1	Q15	5	29
2	J07	23	11
3	G29	28	19
4			
5			
6	G29	27	19
7	I05	22	13
8	Q15	19	31
9	J07	1	11
10	I05	13	13
11			
12			
13	J17	4	5
14	J04	18	13
15	I06	13	13
16	M18	22	15
17			
18	J08	23	9
19	G29	25	19
20	I05	27	13
21	R01	19	35
22			
23			
24	J08	1	9
25			
26	G29	21	21
27			
28	Q15	23	29

JACK PIN LG

SHIFT FEEDER REG. ($X_k + X_i$)

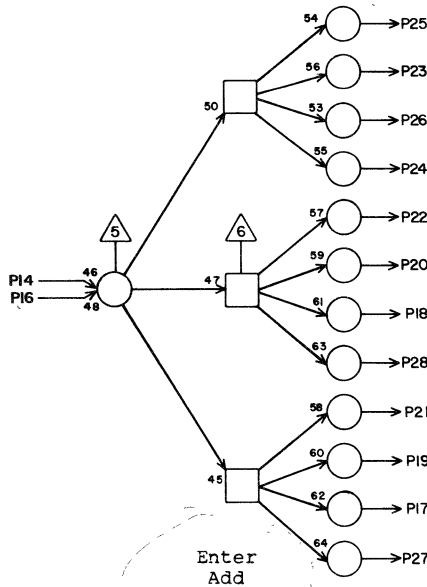
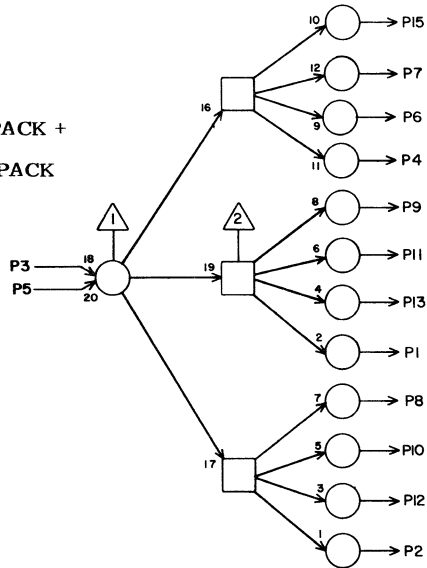


KB 8J 16

1	R01	23	37
2	J09	23	9
3	G28	2	19
4			
5			
6	G28	4	19
7	I06	27	13
8	R01	5	35
9	J09	1	11
10	I06	22	13
11			
12			
13	J17	9	5
14	J05	18	13
15	I07	22	13
16	M18	23	15
17			
18	J10	23	9
19	G28	11	19
20	I07	13	13
21	R02	5	35
22			
23			
24	J10	1	9
25			
26	G28	12	19
27			
28	R02	19	35

JACK PIN LG

PACK +
UNPACK



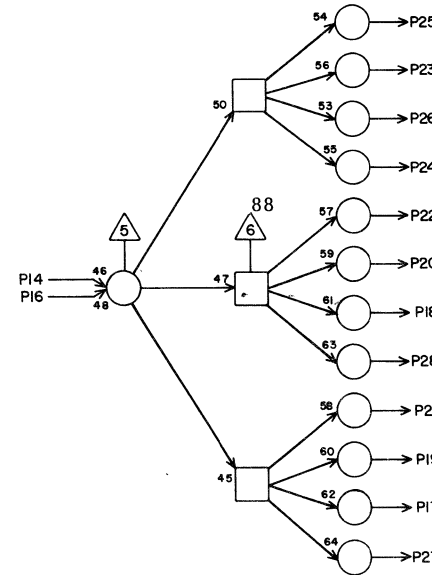
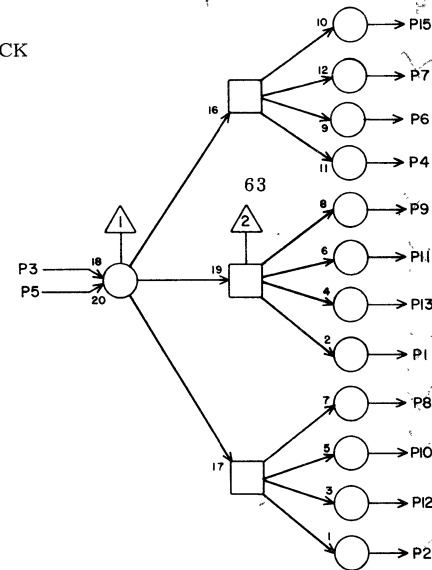
TC 8J 17

1	K14	13	9
2	L13	13	13
3	I19	22	7
4	J15	13	5
5	J17	X	2
6	J14	13	5
7	J13	13	7
8	K15	13	9
9	J16	13	5
10	K16	13	7
11	K12	13	9
12	L12	13	13
13	K13	13	9
14	H20	19	13
15	J12	13	7
16	H25	21	49
17	L03	14	17
18			
19	L02	14	17
20			
21			
22	L08	14	15
23	L05	14	17
24	L07	14	15
25	L04	14	17
26	L06	14	15
27			
28			

JACK PIN LG

63017200 Rev E

CLOCK



8J18

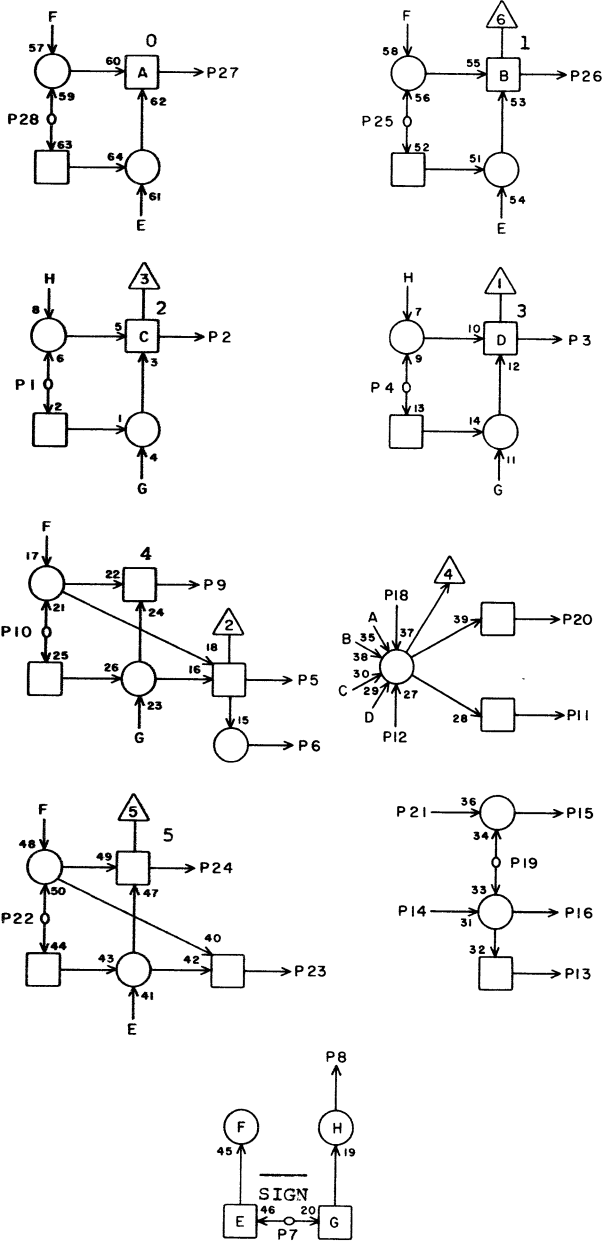
TC 8J 18

1			
2			
3	I21	26	7
4	N06	7	180
5			
6	G12	3	180
7			
8			
9			
10			
11			
12			
13	B24	20	35
14	I21	25	9
15	H10	3	15
16			
17			
18			
19			
20			
21	H08	3	132
22			
23			
24	B23	17	96
25	H10	14	15
26	A24	17	120
27			
28			

JACK PIN LG

63017200 Rev. S

X_j — Add Exponents



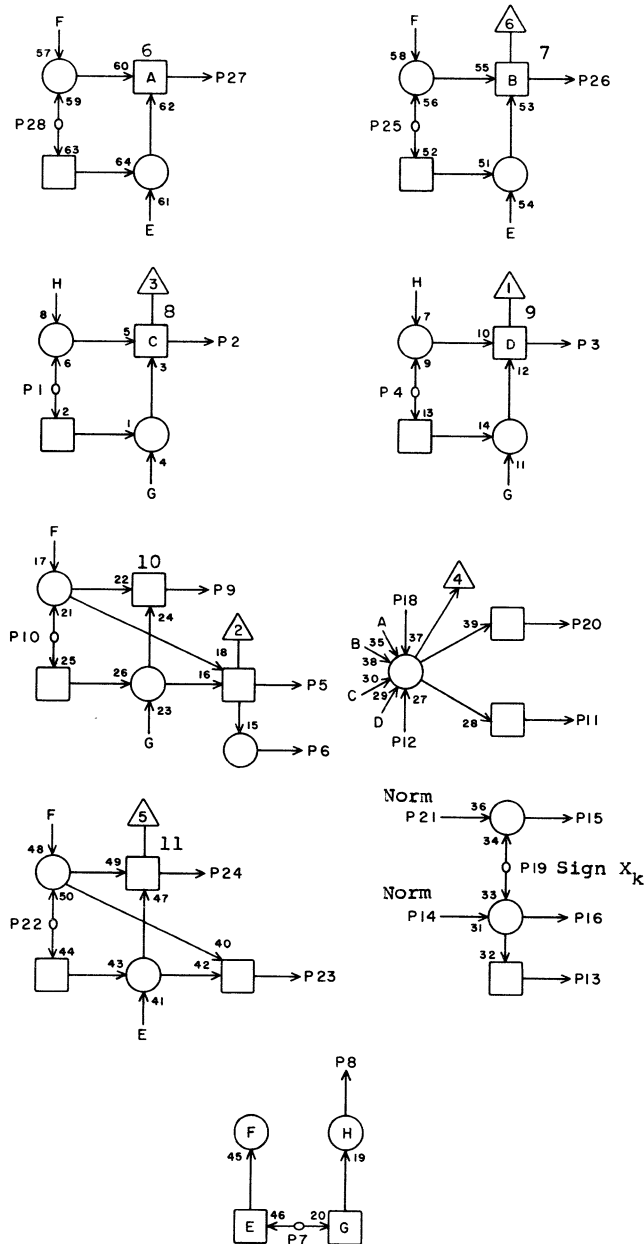
KS 8 J 19

1	A41	18	41
2	K31	6	15
3	K32	25	17
4	A42	18	41
5	J19	18	5
6			
7	C36	23	33
8			
9	K32	24	17
10	C29	18	33
11			
12	J19	23	3
13	I25	4	120
14			
15	G17	21	15
16	F25	14	19
17			
18	J19	5	5
19	J20	20	3
20	J20	12	5
21	J20	5	5
22	C30	18	33
23	J19	12	3
24	K32	6	15
25	A40	18	41
26	K31	24	15
27	K31	25	15
28	A39	18	41

JACK PIN LG

63017200 Rev. AB

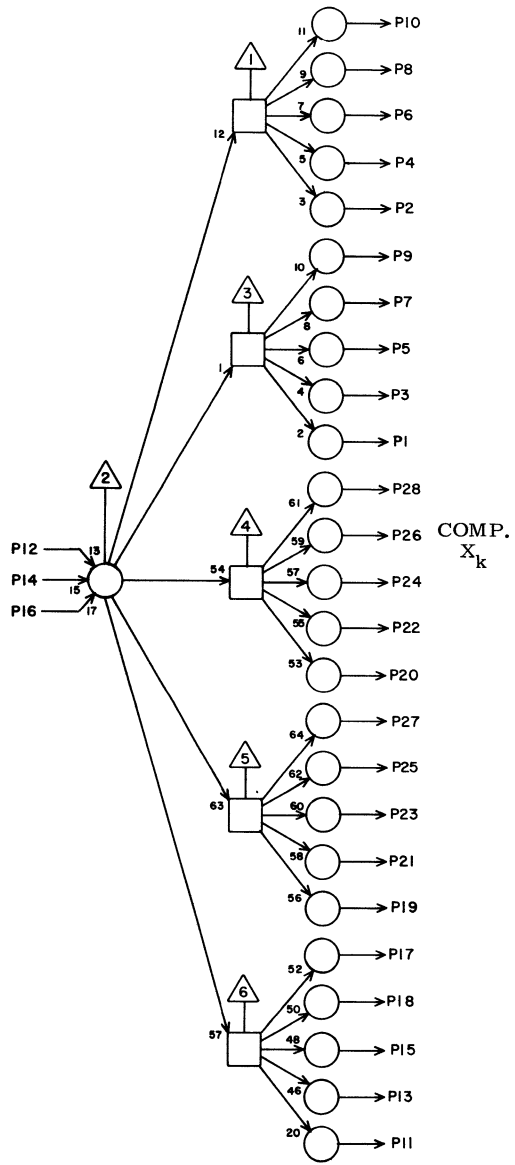
KS 8 J 20



1	C33	18	33
2	K33	6	17
3	K34	25	17
4	C34	18	33
5	J19	21	5
6	I25	6	120
7	C36	22	33
8			
9	K34	24	17
10	C35	18	35
11	H09	22	19
12	J19	20	5
13			
14			
15	H03	19	35
16	H04	19	35
17			
18			
19	I23	13	9
20	J19	19	3
21			
22	C35	22	33
23			
24	K34	6	17
25	C32	18	35
26	K33	24	17
27	K33	25	17
28	C31	18	35

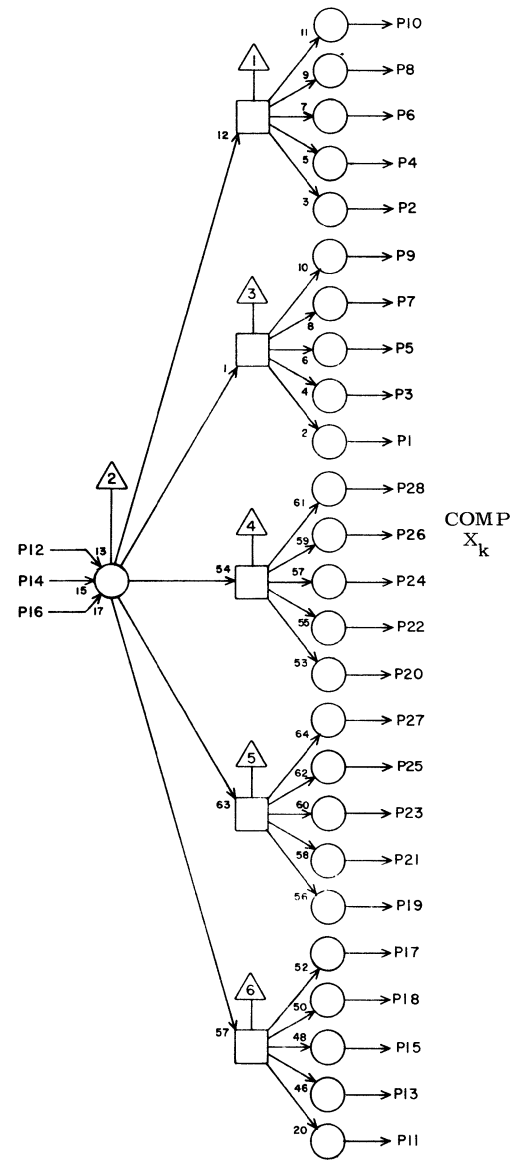
JACK PIN LG

63017200 Rev. AB



CA			
8J 21			
JACK	PIN	LG	
1	J01	10	21
2	J02	10	21
3	J03	10	19
4	J04	16	19
5	J05	16	19
6	J06	16	17
7	J07	16	17
8	J08	16	15
9	J09	16	15
10	J10	16	13
11	J11	16	13
12	G34	24	21
13	K01	16	23
14	I22	23	7
15	K03	16	21
16	H20	14	13
17	K04	16	19
18	K05	16	19
19	K06	16	17
20	K07	16	17
21	K08	16	17
22	K09	16	15
23	K10	16	15
24	K11	16	13
25	L01	16	23
26	L02	16	21
27	L03	16	21
28	L04	16	19

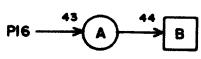
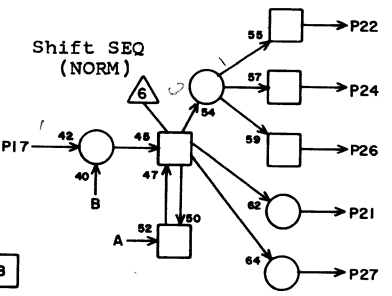
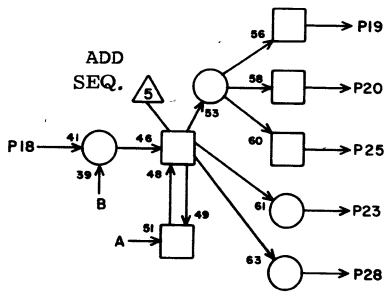
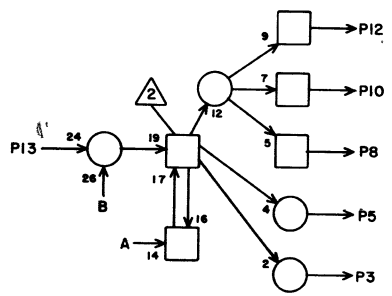
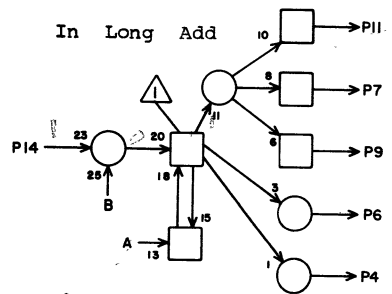
63017200 Rev. E



CA			
8J 22			
JACK	PIN	LG	
1	L05	15	21
2	L06	16	21
3	L07	16	21
4	L08	16	17
5			
6			
7			
8	K02	16	21
9			
10			
11			
12	G34	22	21
13			
14	I22	19	7
15			
16	H20	8	13
17			
18			
19			
20			
21			
22			
23			
24			
25			
26			
27			
28	JACK	PIN	LG

63017200 Rev. E

8J22

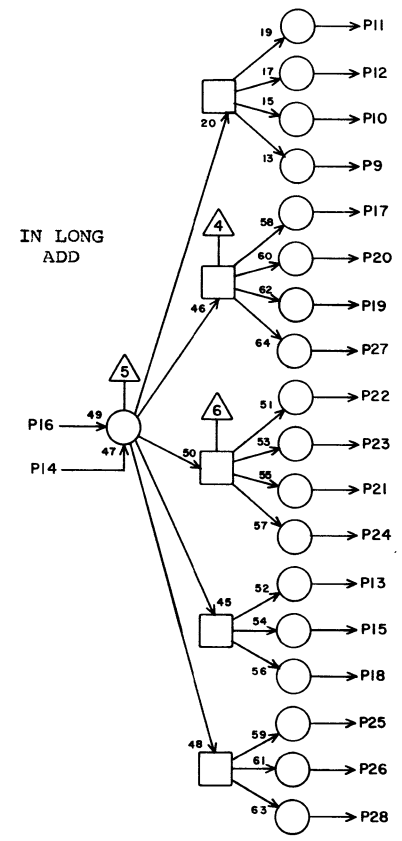
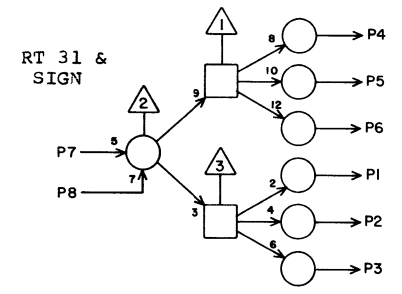


PD 8J 23

1			
2			
3	F19	16	19
4	B21	20	33
5			
6	B25	20	33
7	J24	14	96
8			
9	I19	6	9
10			
11	H 6	9	21
12	G34	17	21
13	G34	20	21
14	H01	9	120
15			
16	H10	15	96
17	H21	16	13
18	H20	4	15
19	F27	14	19
20	H 6	11	21
21	I25	7	60
22	G33	23	120
23			
24	G33	3	120
25			
26	G33	4	120
27	B23	20	35
28			

JACK PIN LG

63017200 Rev. N



CB 8J 24

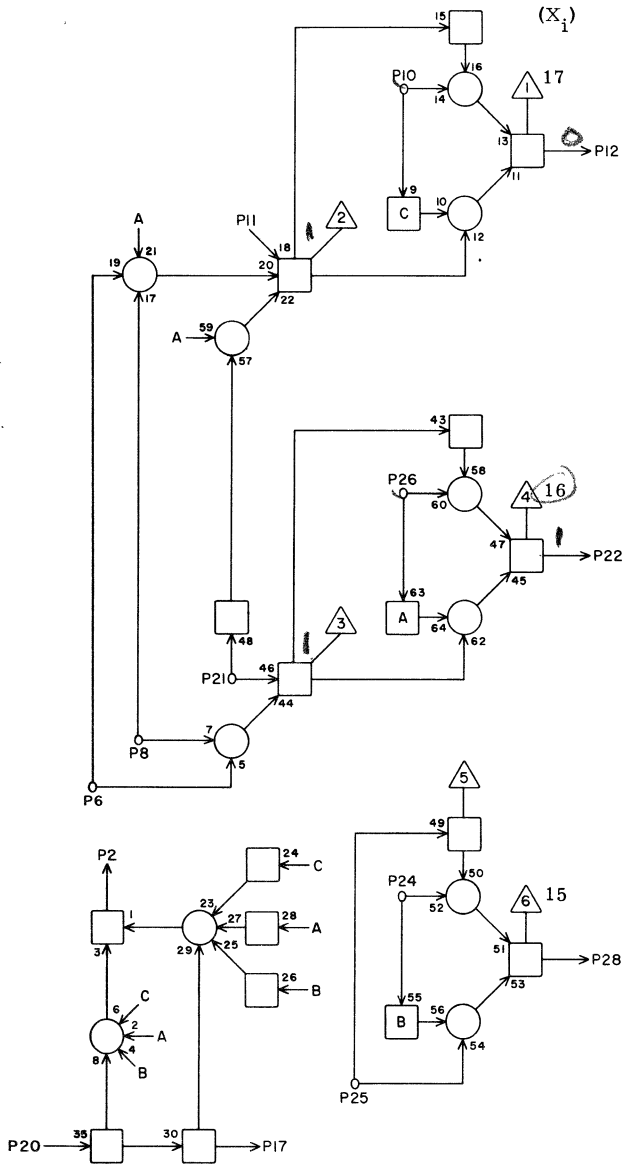
1	I 1	6	25
2	I02	6	23
3	I03	6	23
4			
5			
6			
7	L19	6	13
8			
9	L07	13	21
10	L08	13	21
11	L09	26	19
12			
13	L10	26	19
14	J23	7	96
15	L11	26	19
16	H10	4	84
17	I17	27	11
18	K10	13	17
19	K11	13	17
20	L01	13	25
21	L02	13	25
22	L03	13	23
23	L04	13	23
24	L05	13	21
25	L06	13	21
26	G17	23	17
27			
28	G17	22	17

JACK PIN LG

63017200 Rev. N

LONG ADD RESULT NETWORK (SEC. 1)

FE 8 J 25

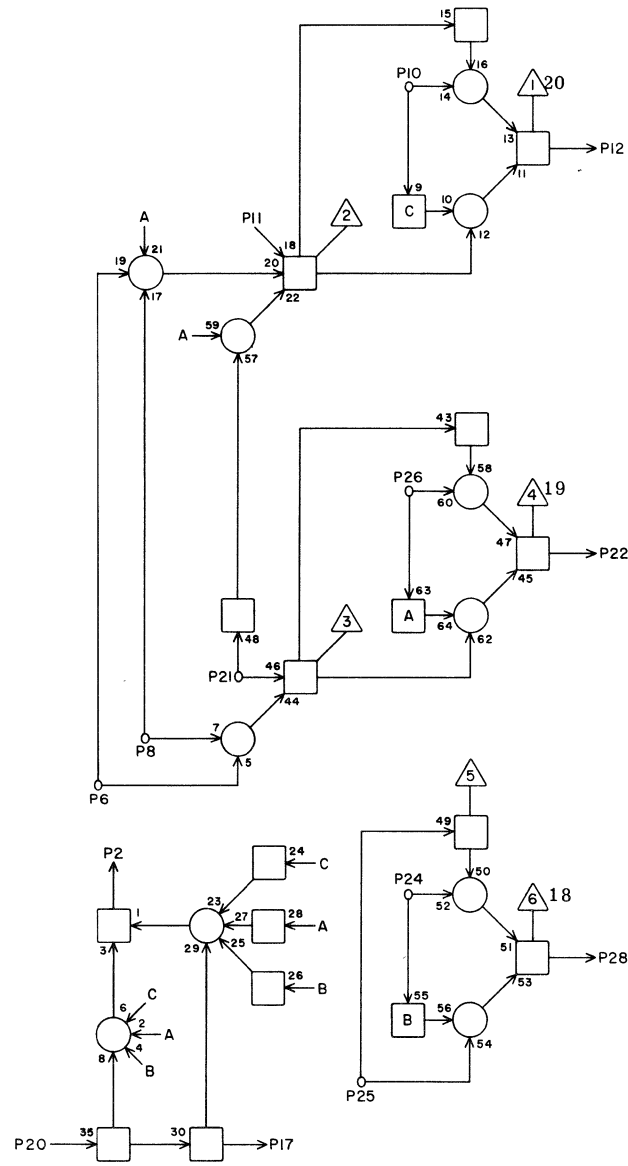


1			
2	I20	1	11
3			
4			
5			
6	H32	27	13
7			
8	H41	24	19
9			
10	H32	6	13
11	H32	2	15
12	MO5	11	25
13			
14			
15			
16			
17			
18			
19			
20	I38	17	17
21	H32	25	13
22	MO5	5	25
23			
24	H32	28	13
25	H41	23	19
26	H32	1	15
27			
28	MO4	26	25
	JACK	PIN	LG

LONG ADD RESULT NETWORK (SEC. 1)

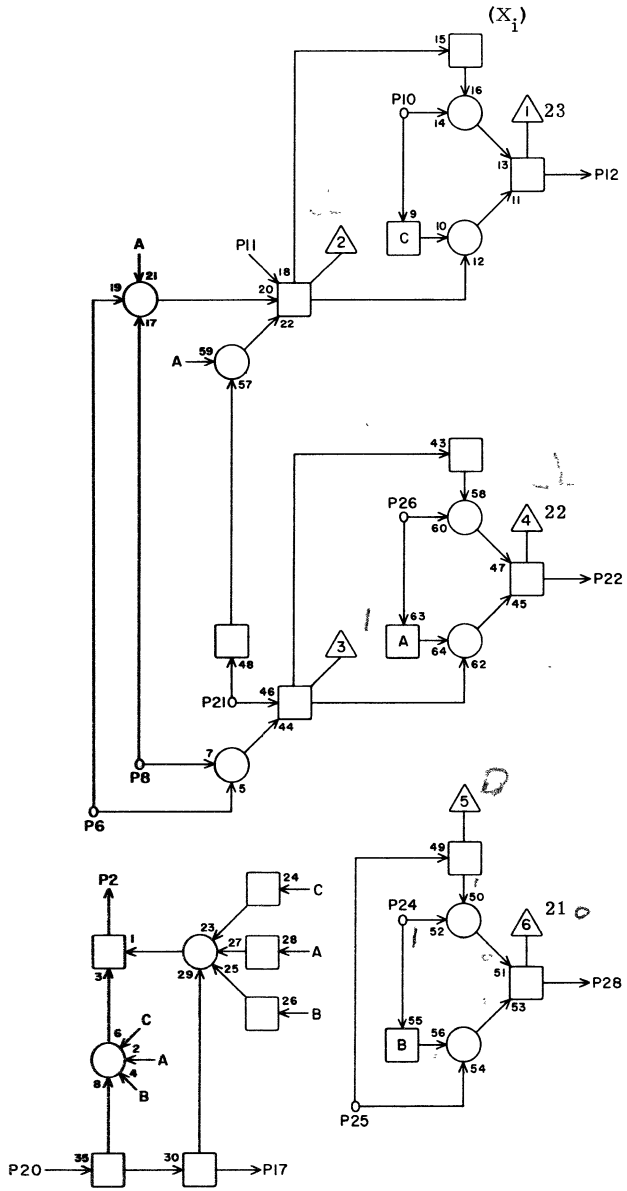
(X_i)

FE 8 J 26



1			
2	I20	3	11
3			
4			
5			
6	H33	27	13
7			
8	H41	22	19
9			
10	H33	6	13
11	H33	2	13
12	NO1	5	29
13			
14			
15			
16			
17	J27	20	5
18			
19			
20	G15	24	19
21	H33	25	13
22	MO5	26	25
23			
24	H33	28	13
25	H41	21	19
26	H33	1	15
27			
28	MO5	16	25
	JACK	PIN	LG

LONG ADD RESULT NETWORK (SEC. 1)



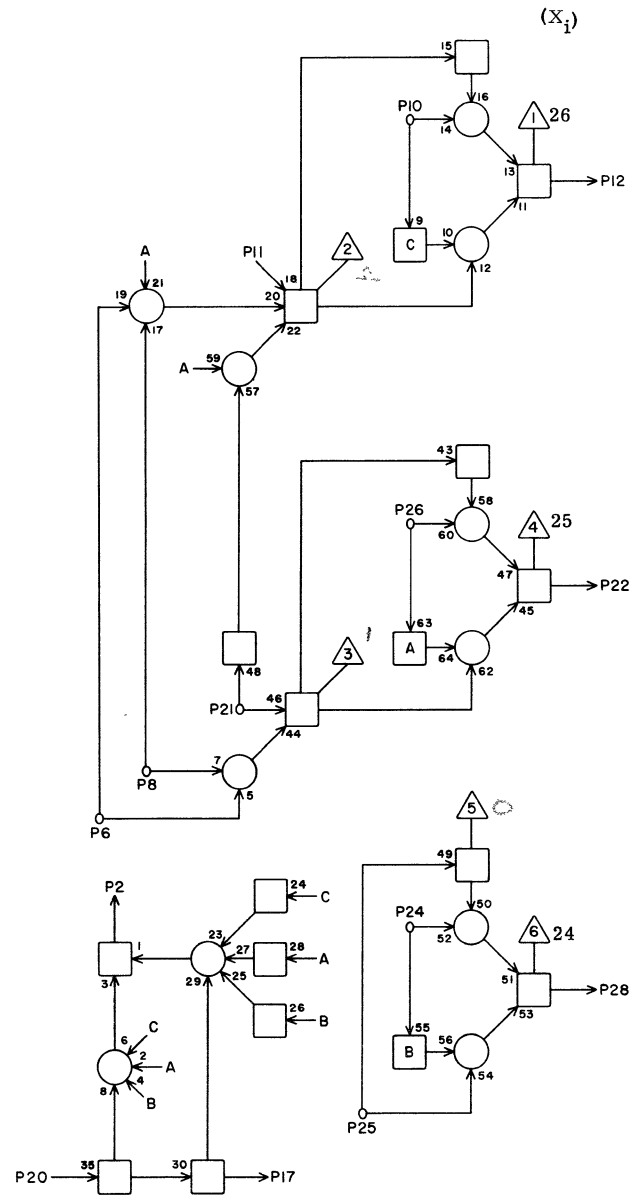
FE 8J 27

1			
2	I20	5	11
3			
4			
5			
6	H34	27	13
7			
8	H41	20	17
9			
10	H34	6	13
11	H34	2	13
12	NO1	26	31
13			
14			
15			
16			
17			
18			
19			
20	J26	17	5
21	H34	25	13
22	NO1	16	31
23			
24	H34	28	13
25	H41	17	19
26	H34	1	15
27			
28	NO1	11	29

JACK PIN LG

63017200 Rev. E

LONG ADD RESULT NETWORK (SEC. 2)



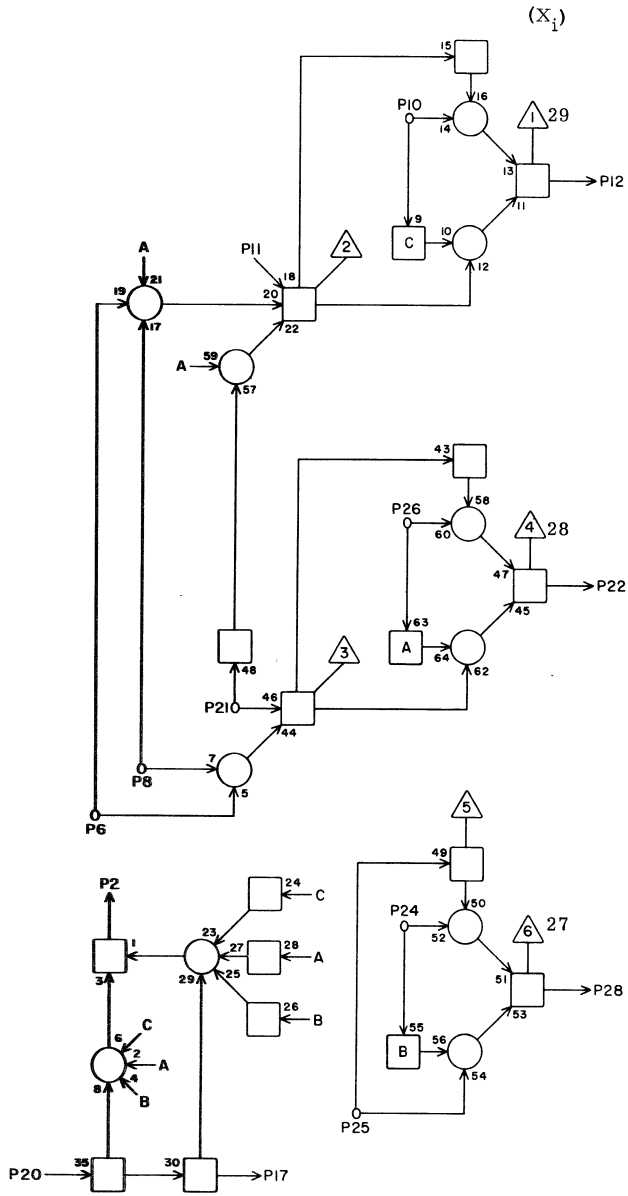
FE 8J 28

1			
2	I20	7	11
3			
4			
5			
6	H35	27	13
7			
8	H42	28	17
9			
10	H35	6	13
11	H35	2	13
12	NO2	16	31
13			
14			
15			
16			
17	J29	20	5
18			
19			
20	G15	22	19
21	H35	25	13
22	NO2	11	31
23			
24	H35	28	13
25	H42	26	17
26	H35	1	15
27			
28	NO2	5	29

JACK PIN LG

63017200 Rev. E

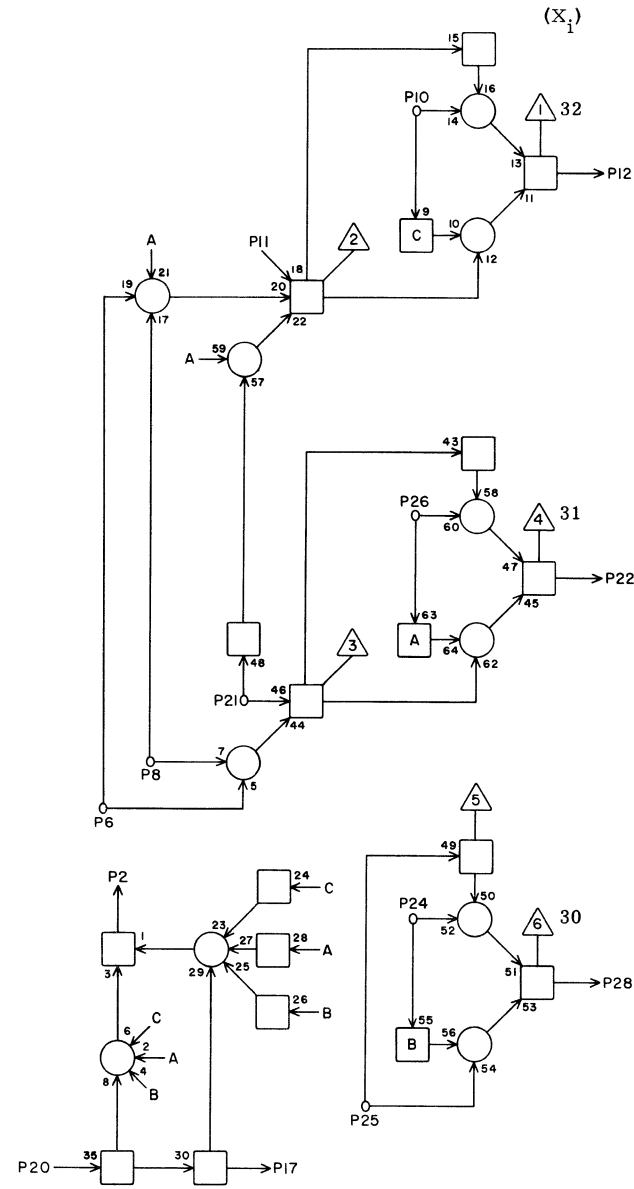
LONG ADD RESULT NETWORK (SEC. 2)



FE 8J 29

JACK	PIN	LG
1		
2	I20	9 13
3		
4		
5		
6	H36	27 13
7		
8	H42	24 17
9		
10	H36	6 13
11	H36	2 13
12	N03	11 31
13		
14		
15		
16		
17		
18		
19		
20	J28	17 5
21	H36	25 13
22	N03	5 29
23		
24	H36	28 13
25	H42	23 17
26	H36	1 15
27		
28	N02	26 31

LONG ADD RESULT NETWORK (SEC. 2)

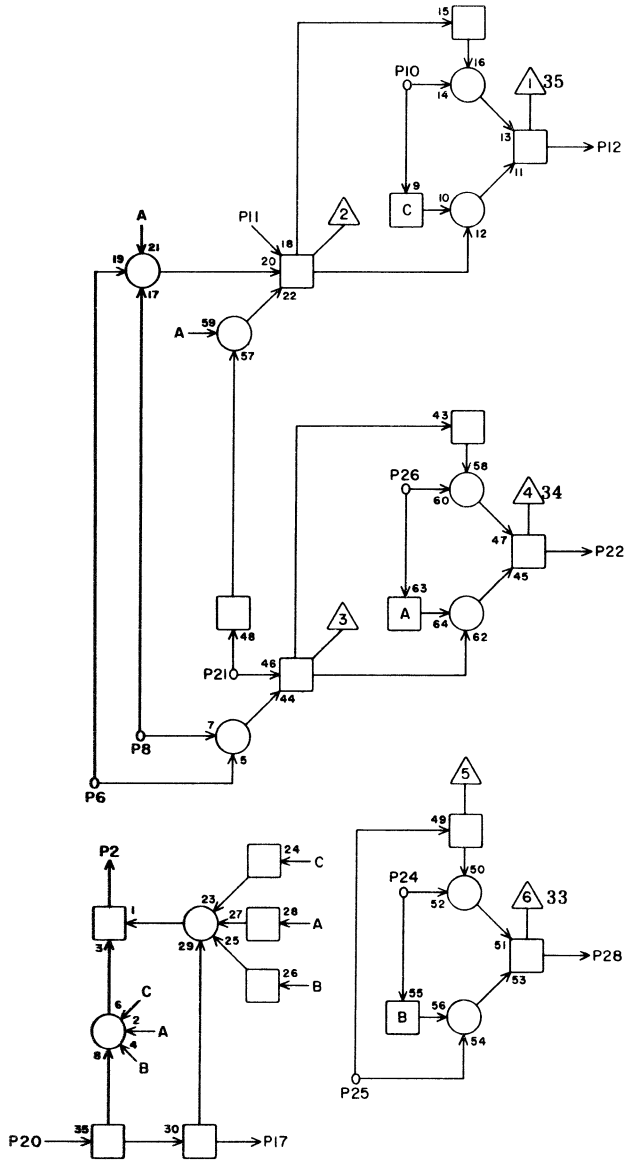


FE 8J 30

JACK	PIN	LG
1		
2	I20	17 13
3		
4		
5		
6	H37	27 13
7		
8	H42	22 17
9		
10	H37	6 13
11	H37	2 13
12	N04	5 29
13		
14		
15		
16		
17	J31	20 5
18		
19		
20	G15	20 21
21	H37	25 13
22	N03	26 31
23		
24	H37	28 13
25	H42	21 17
26	H37	1 15
27		
28	N03	16 31

LONG ADD RESULT NETWORK (SEC. 2)

(X₁)



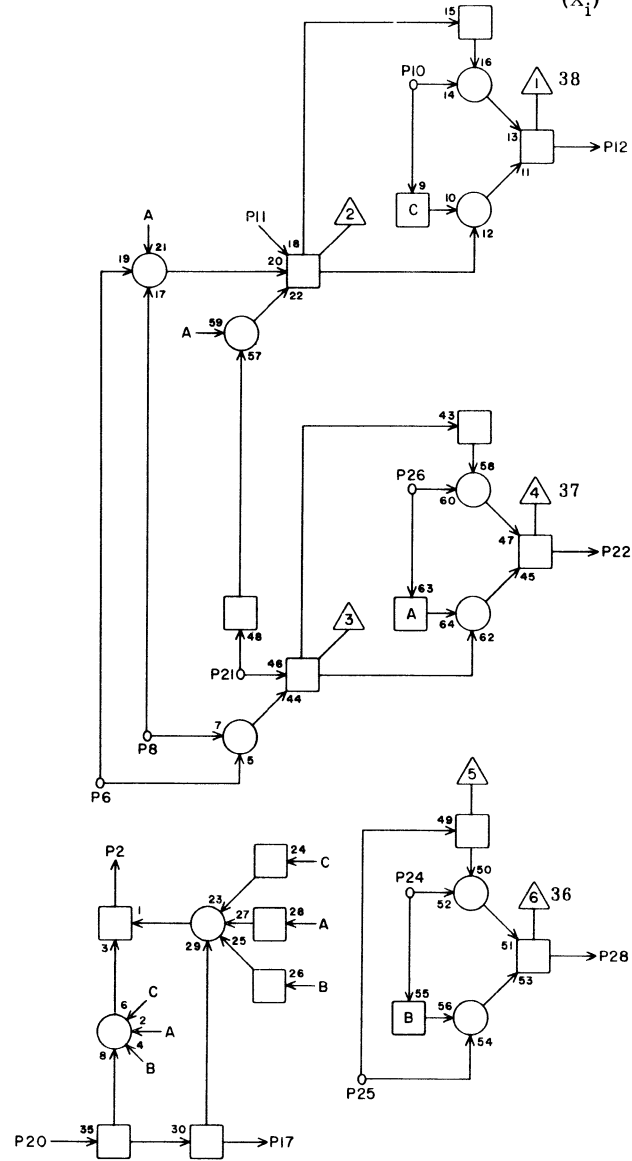
FE 8J 31

1			
2	I20	19	15
3			
4			
5			
6	H38	27	13
7			
8	H42	20	15
9			
10	H38	6	13
11	H38	2	13
12	N04	26	31
13			
14			
15			
16			
17			
18			
19			
20	J30	17	5
21	H38	25	13
22	N04	16	31
23			
24	H38	28	13
25	H42	17	17
26	H38	1	15
27			
28	N04	11	31
	JACK	PIN	LG

63017200 Rev. E

LONG ADD RESULT NETWORK (SEC. 3)

(X₁)

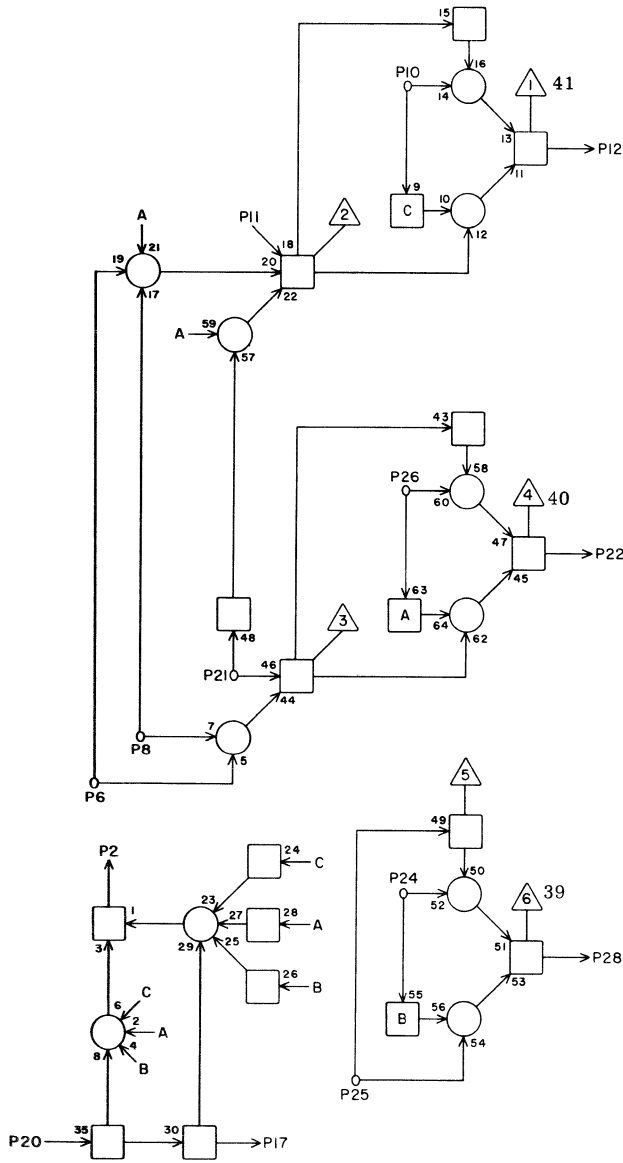


FE 8J 32

1			
2	I20	21	15
3			
4			
5			
6	H39	27	13
7			
8	I41	28	13
9			
10	H39	6	13
11	H39	2	13
12	H11	16	23
13			
14			
15			
16			
17	J33	20	5
18			
19			
20	G15	18	23
21	H39	25	13
22	H11	11	23
23			
24	H39	28	13
25	I41	26	13
26	H39	1	15
27			
28	H11	5	23
	JACK	PIN	LG

63017200 Rev. E

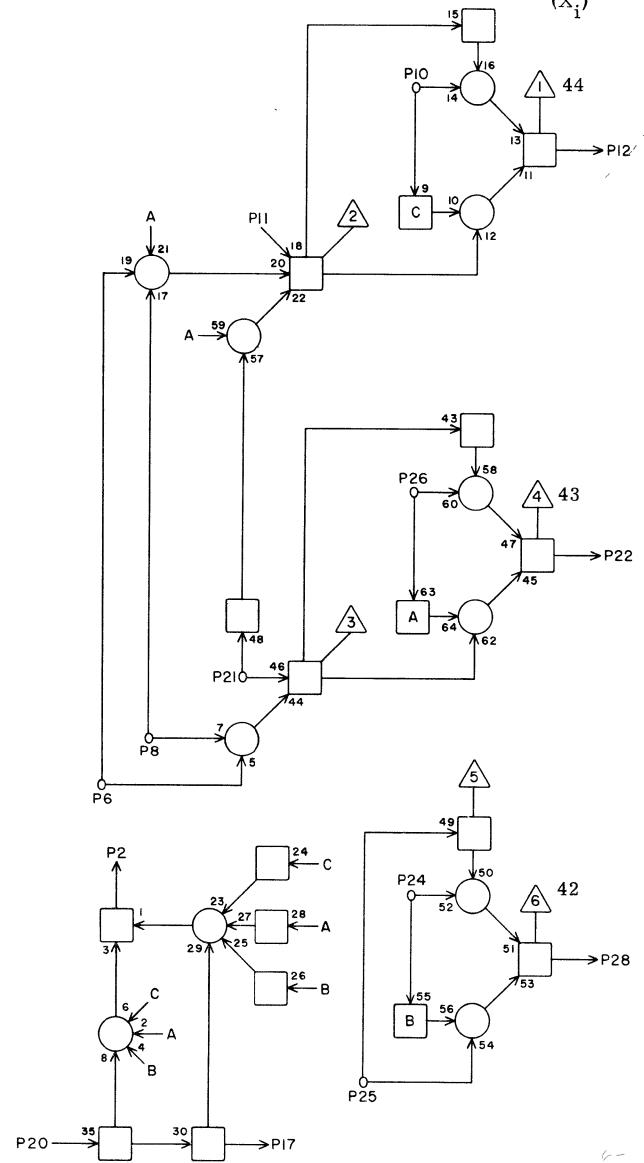
LONG ADD RESULT NETWORK (SEC. 3)
(X_i)



FE 8J 33

1			
2	I 20	23	15
3			
4			
5			
6	I 27	27	9
7			
8	I 41	24	11
9			
10	I 27	6	11
11	I 27	2	11
12	H 12	11	23
13			
14			
15			
16			
17			
18			
19			
20	J 32	17	5
21	I 27	25	11
22	H 12	5	23
23			
24	I 27	28	11
25	I 41	23	13
26	I 27	1	11
27			
28	H 11	26	23
	JACK	PIN	LG

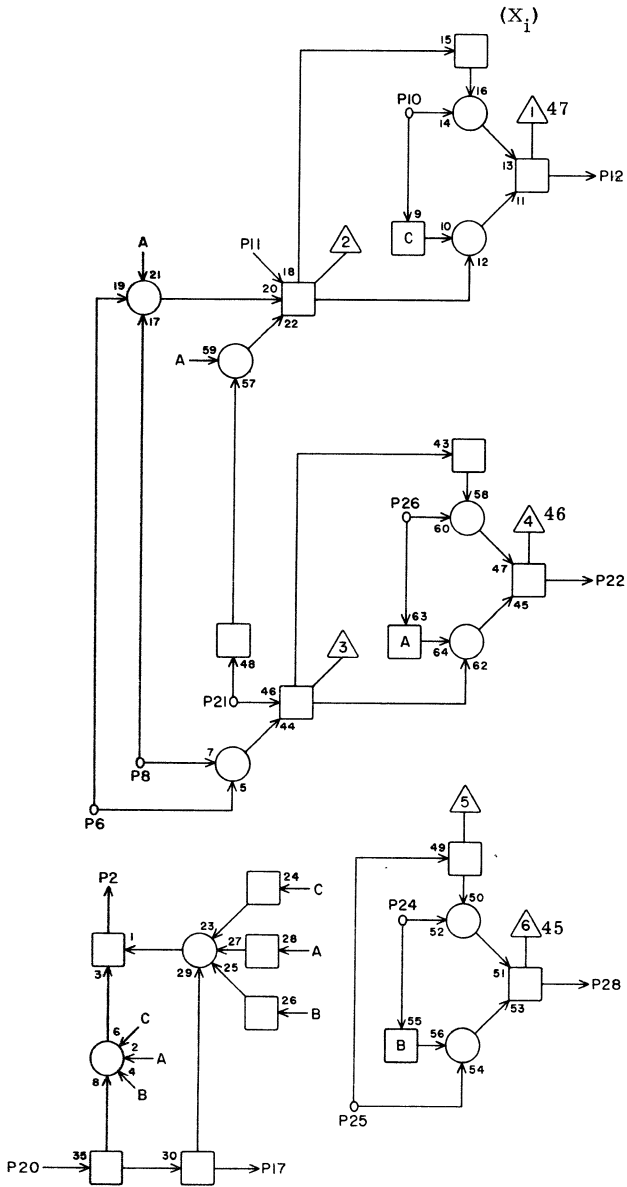
LONG ADD RESULT NETWORK (SEC. 3)
(X_i)



FE 8J 34

1			
2	I 20	25	17
3			
4			
5			
6	I 28	27	9
7			
8	I 41	22	11
9			
10	I 28	6	11
11	I 28	2	11
12	H 13	5	25
13			
14			
15			
16			
17	J 35	20	5
18			
19			
20	G 15	28	23
21	I 28	25	11
22	H 12	26	25
23			
24	I 28	28	11
25	I 41	21	11
26	I 28	1	11
27			
28	H 12	16	23
	JACK	PIN	LG

LONG ADD RESULT NETWORK (SEC. 3)



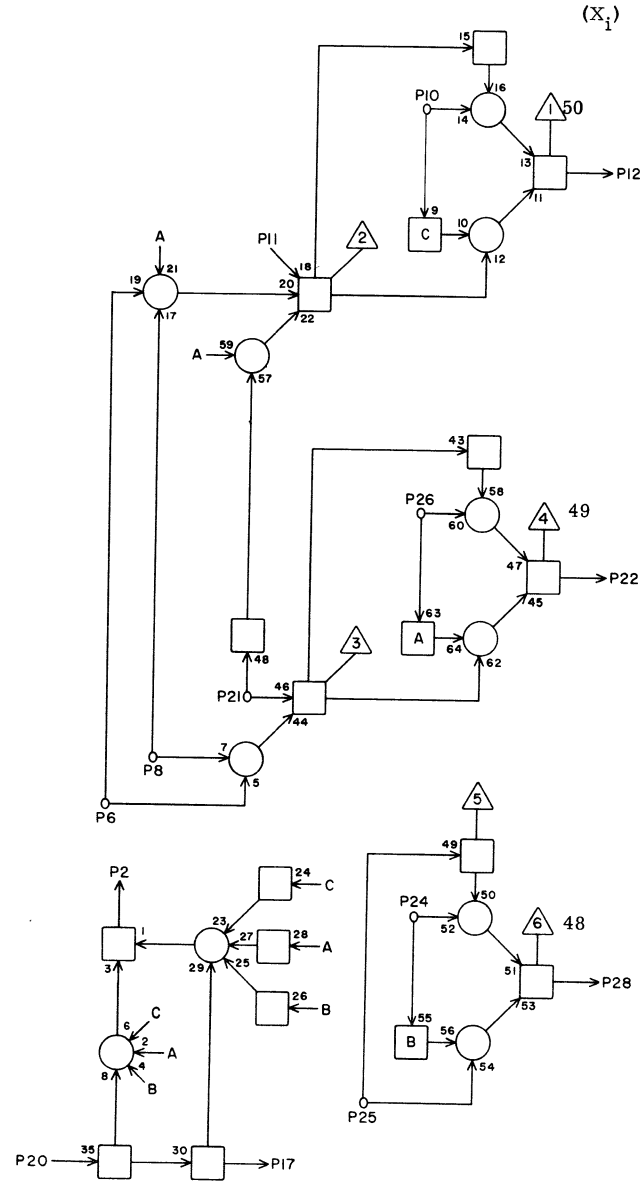
FE 8J 35

1			
2	I20	16	17
3			
4			
5			
6	I29	27	9
7			
8	I41	20	9
9			
10	I29	6	11
11	I29	2	11
12	H13	26	25
13			
14			
15			
16			
17			
18			
19			
20	J34	17	5
21	I29	25	11
22	H13	16	25
23			
24	I29	28	11
25	I41	17	11
26	I29	1	11
27			
28	H13	11	23

JACK PIN LG

63017200 Rev. E

LONG ADD RESULT NETWORK (SEC. 4)



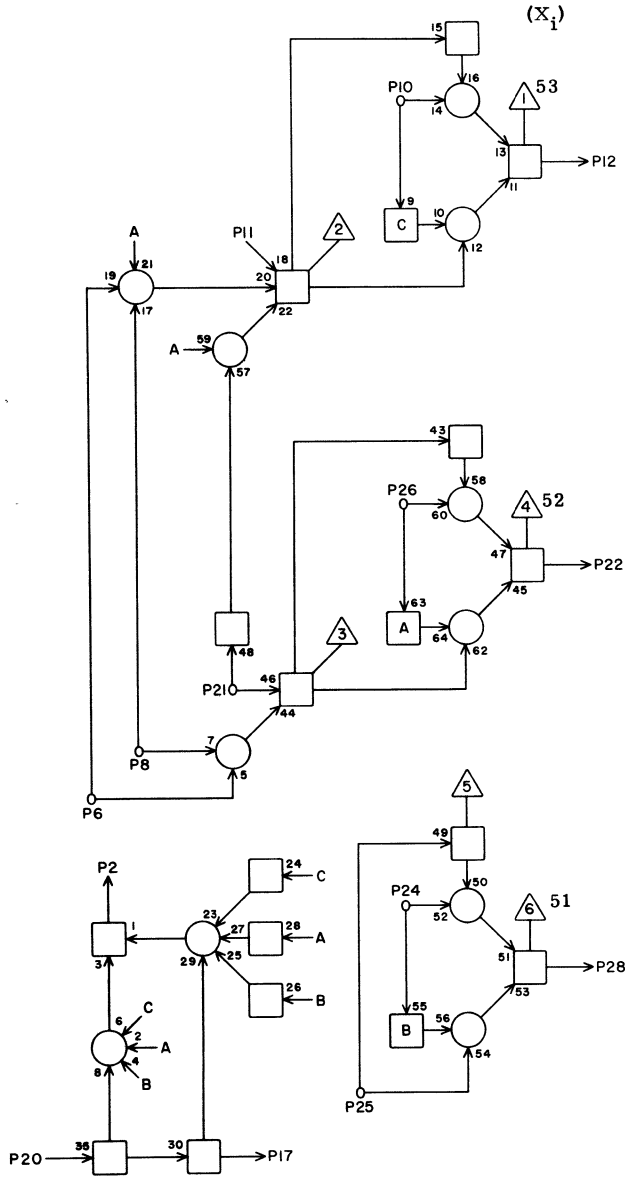
FE 8J 36

1			
2	I20	18	19
3			
4			
5			
6	I30	27	9
7			
8	I42	28	9
9			
10	I30	6	11
11	I30	2	11
12	H14	16	25
13			
14			
15			
16			
17	J37	20	5
18			
19			
20	G15	21	25
21	I30	25	11
22	H14	11	25
23			
24	I30	28	11
25	I42	26	11
26	I30	1	11
27			
28	H14	5	23

JACK PIN LG

63017200 Rev. E

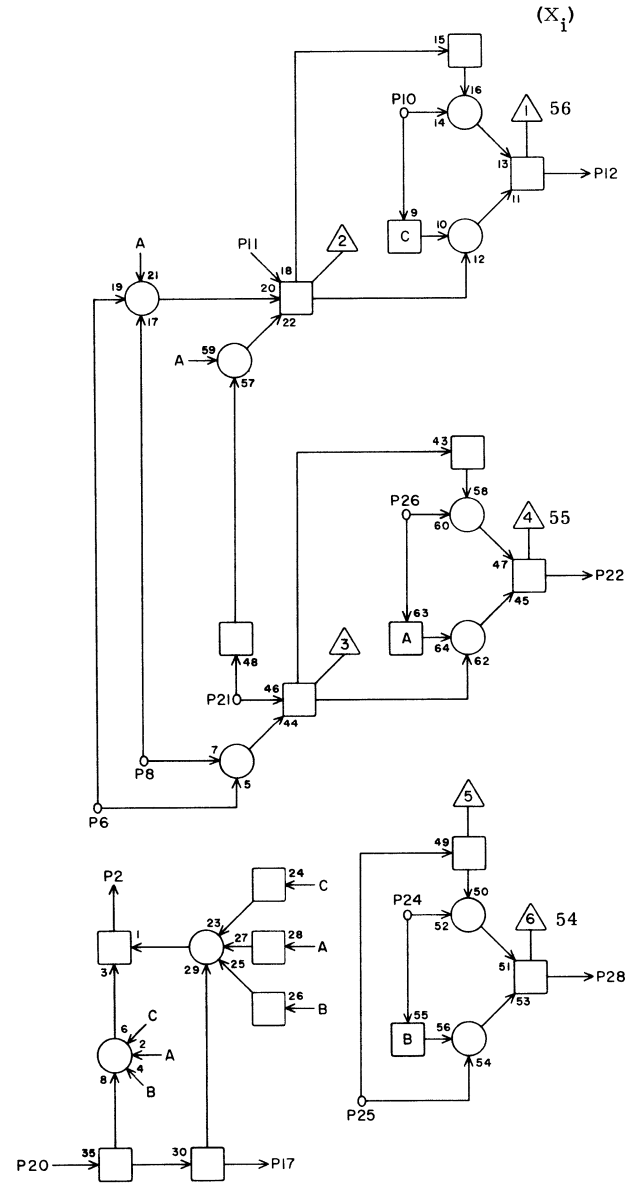
LONG ADD RESULT NETWORK (SEC. 4)



FE 8J 37

JACK	PIN	LG
1		
2	I20	20 19
3		
4		
5		
6	I31	27 9
7		
8	I42	24 9
9		
10	I31	6 11
11	I31	2 11
12	H15	11 25
13		
14		
15		
16		
17		
18		
19		
20	J36	17 5
21	I31	25 11
22	H15	5 25
23		
24	I31	28 11
25	I42	23 9
26	I31	1 11
27		
28	H14	26 25

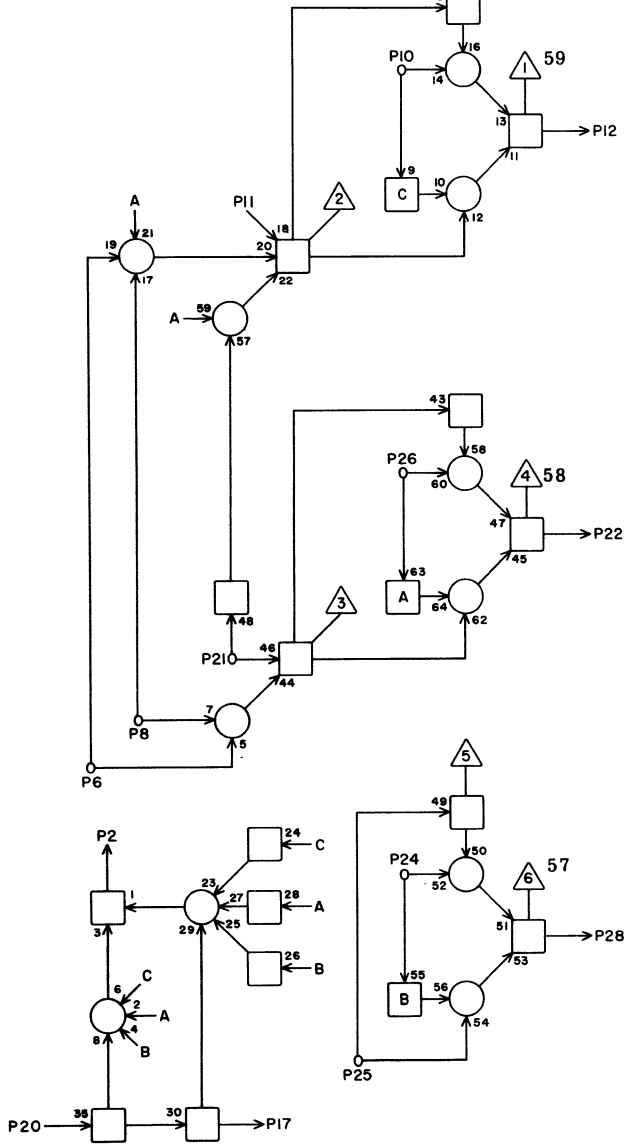
LONG ADD RESULT NETWORK (SEC. 4)



FE 8J 38

JACK	PIN	LG
1		
2	I20	22 19
3		
4		
5		
6	I32	27 9
7		
8	I42	22 7
9		
10	I32	6 11
11	I32	2 11
12	H16	5 25
13		
14		
15		
16		
17	J39	20 5
18		
19		
20	G15	19 27
21	I32	25 11
22	H15	26 25
23		
24	I32	23 11
25	I42	21 9
26	I32	1 11
27		
28	H15	16 25

LONG ADD RESULT NETWORK (SEC. 4)
(X_i)



FE 8J39

1			
2	I20	24	21
3			
4			
5			
6	I33	27	9
7			
8	I42	20	7
9			
10	I33	6	11
11	I33	2	11
12	H16	26	25
13			
14			
15			
16			
17			
18			
19			
20	J38	17	5
21	I33	25	11
22	H16	16	25
23			
24	I33	28	11
25	I42	17	9
26	I33	1	11
27			
28	H16	11	25

JACK PIN LG

63017200 Rev. E

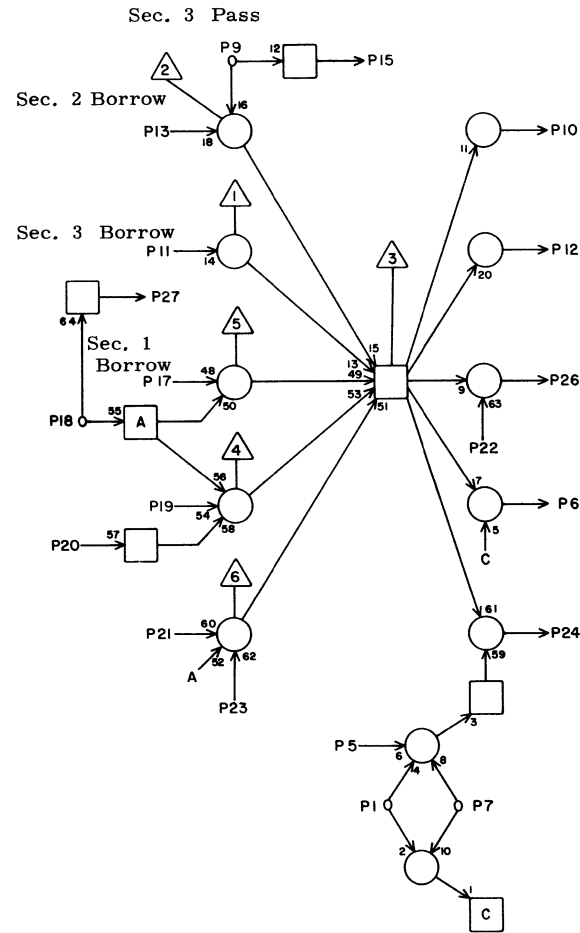
LONG ADD PASS AND BORROW CIRCUITS
(SEC. 4)

FD 8J40

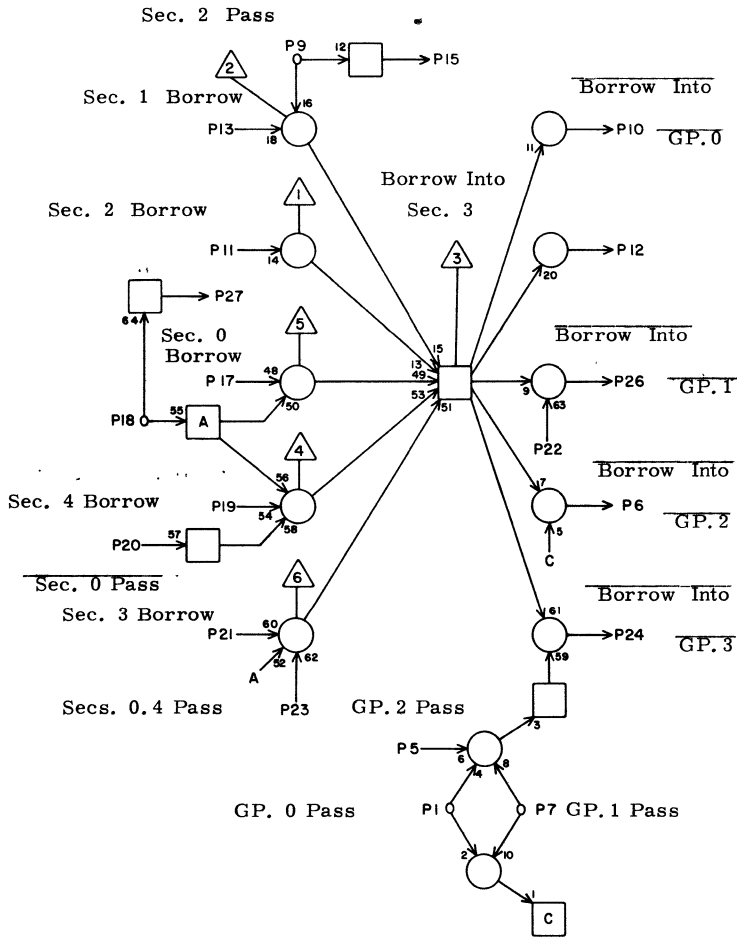
1	I30	8	13
2			
3			
4			
5	I32	8	13
6	I42	19	7
7	I31	8	13
8			
9	I39	4	7
10	I42	27	7
11	I41	10	7
12			
13	H42	10	13
14			
15			
16			
17	H41	10	13
18	I39	5	9
19	H40	10	13
20	J42	15	7
21	I42	10	9
22	I30	13	13
23	J42	27	7
24	I42	18	9
25			
26	I42	25	7
27			
28			

JACK PIN LG

63017200 Rev. E



LONG ADD PASS AND BORROW CIRCUITS
(SEC. 3)

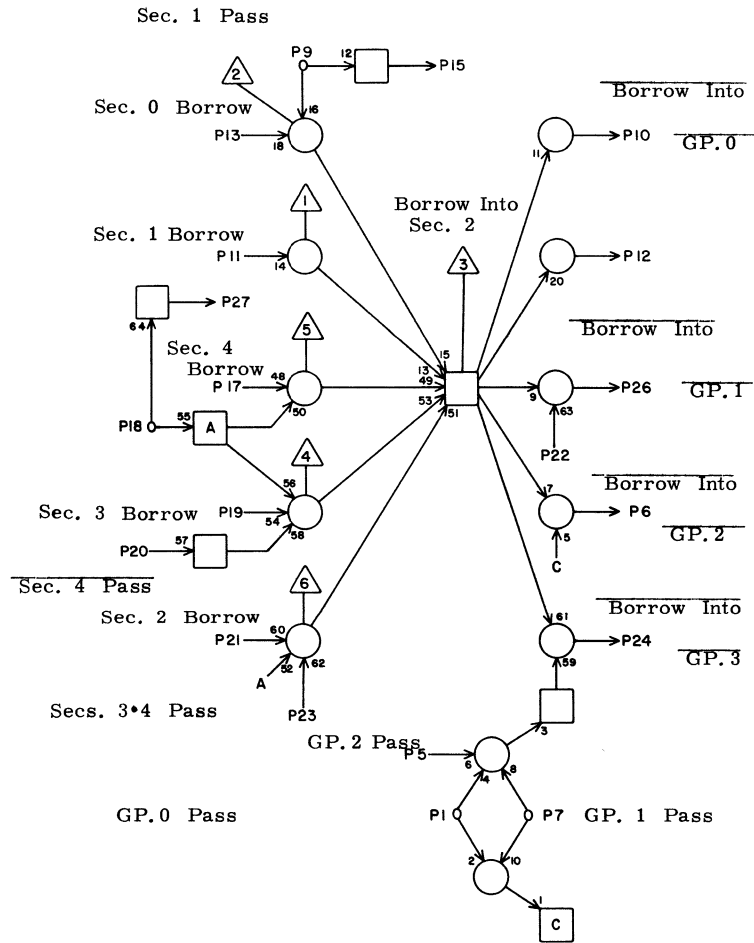


FD 8J41

1	H39	8	11
2			
3			
4			
5	I28	8	17
6	I41	19	7
7	I27	8	17
8			
9	I39	8	7
10	I41	27	7
11	H42	9	11
12			
13	H41	9	13
14			
15	I40	20	7
16			
17	H40	9	13
18	I39	12	7
19	I42	9	9
20	39	11	9
21	I41	9	9
22	H39	13	13
23	I39	27	7
24	I41	18	7
25			
26	I41	25	7
27	I40	23	7
28			

JACK PIN LG

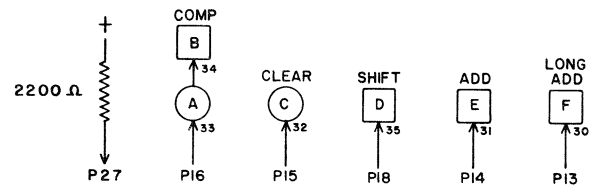
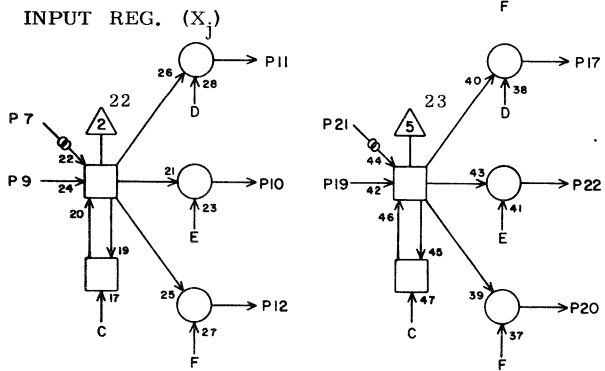
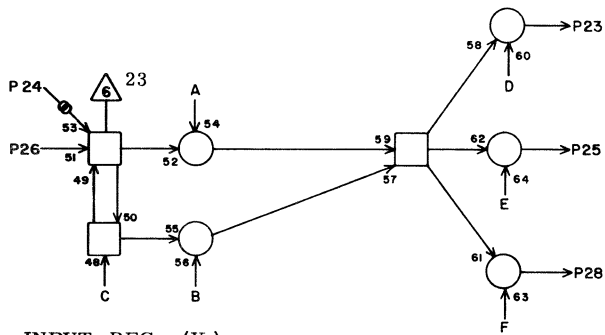
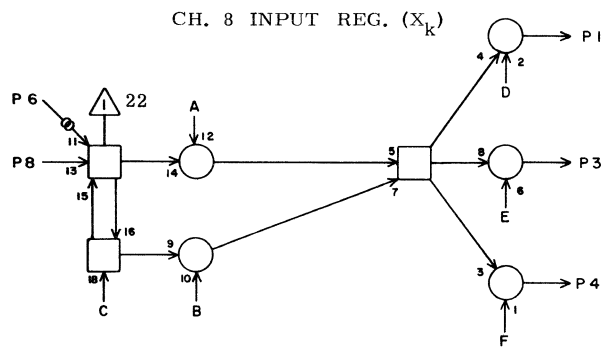
LONG ADD PASS AND BORROW CIRCUITS
(SEC. 2)



FD 8J42

1	H35	8	13
2			
3			
4			
5	H37	8	13
6	H42	19	11
7	H36	8	13
8			
9	I39	10	9
10	H42	27	11
11	H41	12	11
12			
13	H40	12	13
14			
15	J40	20	7
16			
17	I42	12	7
18	I39	15	9
19	I41	12	9
20	I40	15	7
21	H42	12	13
22	H35	13	13
23	I40	27	7
24	H42	18	13
25			
26	H42	25	11
27	J40	23	7
28			

JACK PIN LG



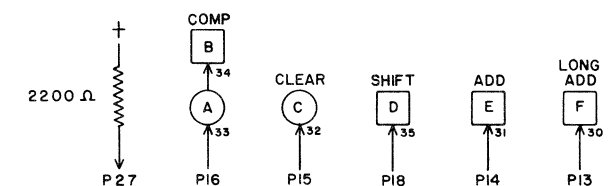
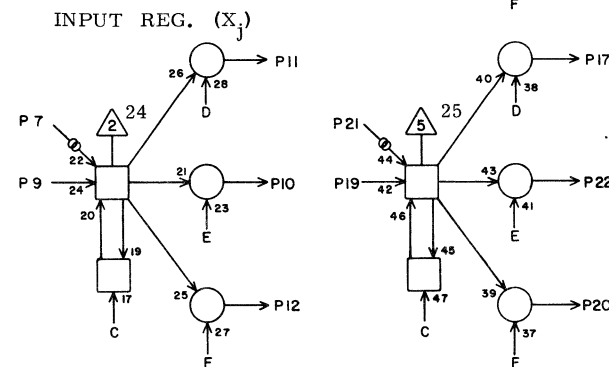
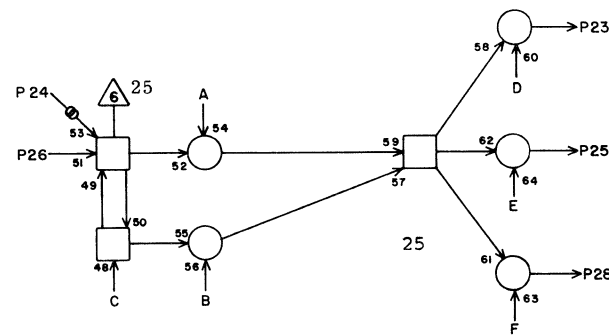
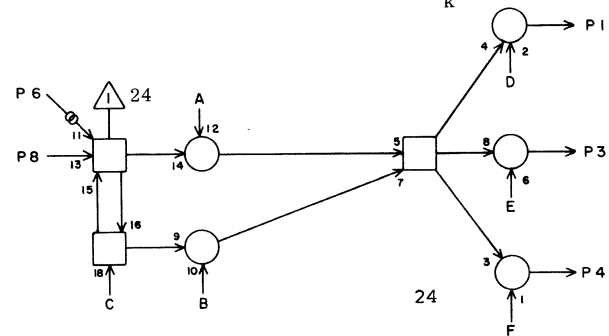
KA 8 K01

1	K12	24	13
2			
3	L26	9	25
4	H34	3	35
5			
6	W27	94	
7	W29	94	
8	K01	x	2
9	K01	x	2
10	L26	11	25
11			
12	H34	5	35
13	H38	10	37
14	M20	13	23
15	I16	13	19
16	J21	13	23
17			
18	L13	14	15
19	K01	x	2
20	H34	18	33
21	W29	95	
22	M21	20	23
23	K12	18	13
24	W27	95	
25	M21	22	23
26	K01	x	2
27	K29	3	27
28	H34	20	35

JACK PIN LG

63017200 Rev. E

CH. 8 INPUT REG. (X_k)



8K02

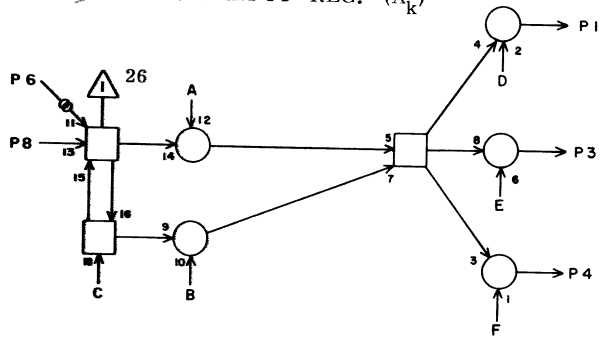
KA 8 K02

1	K13	9	13
2			
3	M21	9	23
4	H35	26	33
5			
6	W27	96	
7	W29	96	
8	K02	x	2
9	K02	x	2
10	M21	11	23
11			
12	H35	23	33
13	H39	10	37
14	M20	15	21
15	I16	15	17
16	J22	8	21
17			
18	L14	14	15
19	K02	x	2
20	H35	5	35
21	W29	97	
22	M22	20	23
23	K13	2	13
24	W27	97	
25	M22	22	23
26	K02	x	2
27			
28	H35	3	35

JACK PIN LG

63017200 Rev. E

CH. 8 INPUT REG. (X_k)

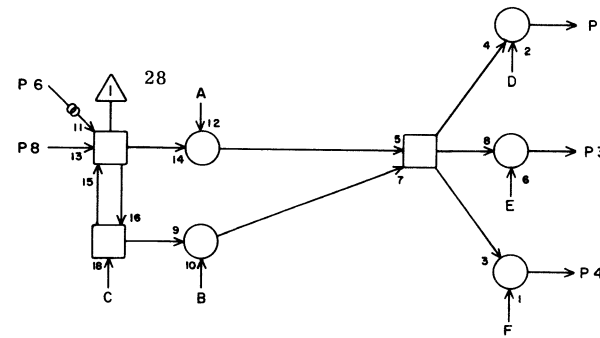


KA 8 **K03**

1	K13	24	13
2			
3	M22	9	23
4	H35	20	33
5			
6	W27	98	
7	W29	98	
8	K03	x	2
9	K03	x	2
10	M22	11	23
11			
12	H35	18	33
13	I27	10	25
14	M20	17	21
15	I16	17	17
16	J21	15	21
17			
18	L15	14	15
19	K03	x	2
20	H36	23	35
21	W29	99	
22	M23	20	23
23	K13	18	13
24	W27	99	
25	M23	22	23
26	K03	x	2
27			
28	H36	20	33

63017200 Rev. E

CH. 8 INPUT REG. (X_k)

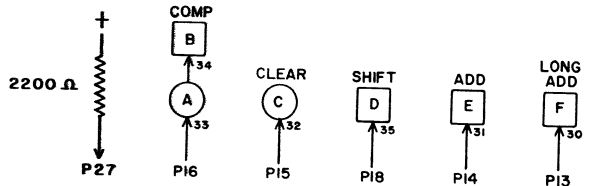
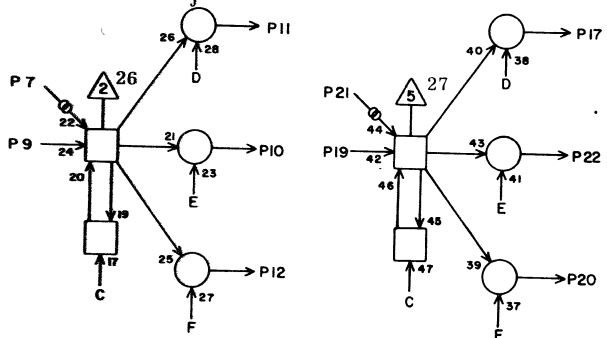


KA **8K04**

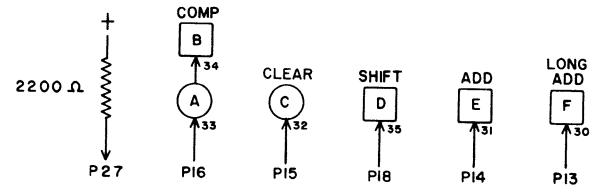
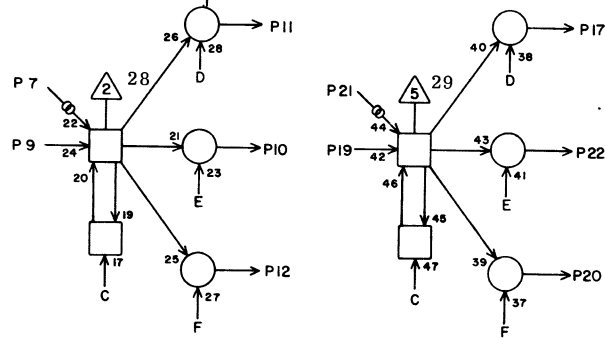
1	K14	9	13
2			
3	M23	9	23
4	H36	3	33
5			
6	W27	900	
7	W29	900	
8	K04	x	2
9	K04	x	2
10	M23	11	23
11			
12	H36	5	33
13	I28	10	25
14	M20	18	19
15	I16	18	15
16	J21	17	19
17			
18	L16	14	18
19	K03	x	2
20	H36	18	33
21	W29	901	
22	M24	20	23
23	K14	2	13
24	W27	901	
25	M24	22	23
26	K03		
27	H04	28	15
28	H36	20	33

63017200 Rev. E

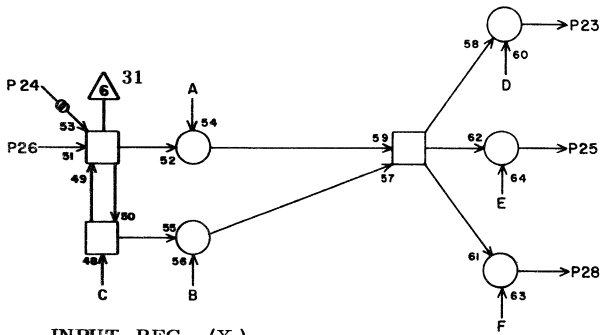
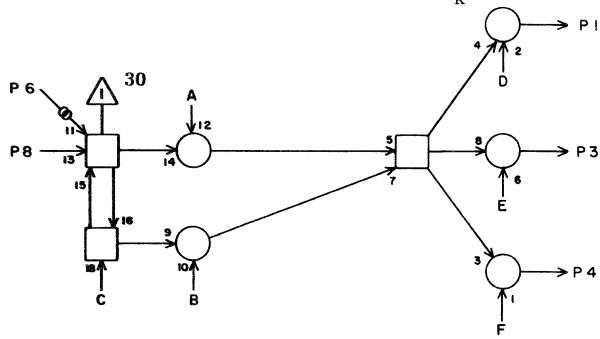
INPUT REG. (X_k)



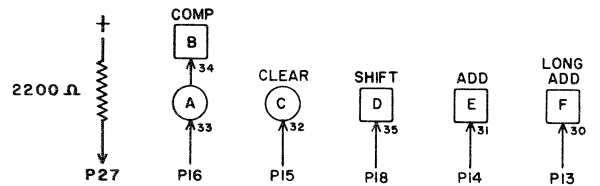
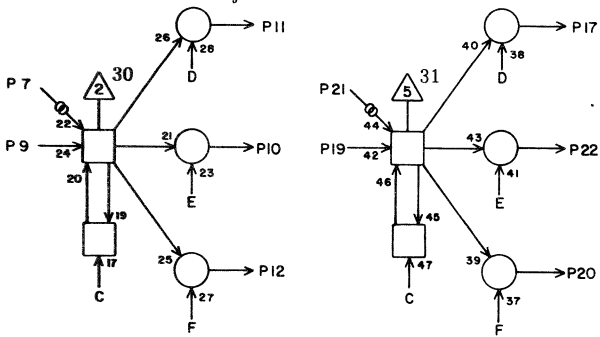
INPUT REG. (X_k)



CH. 8 INPUT REG. (X_k)



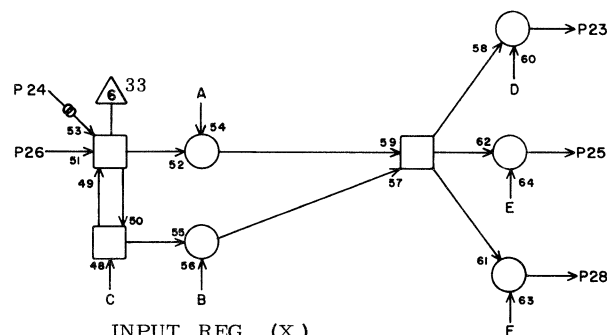
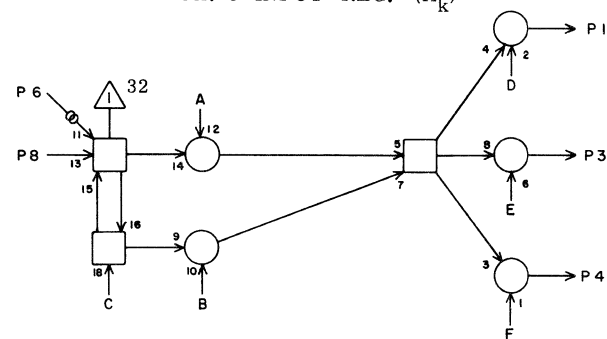
INPUT REG. (X_j)



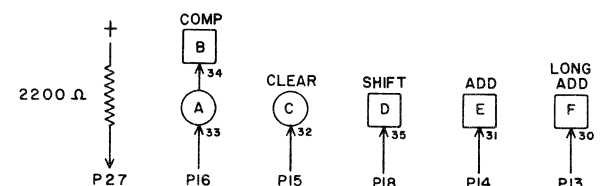
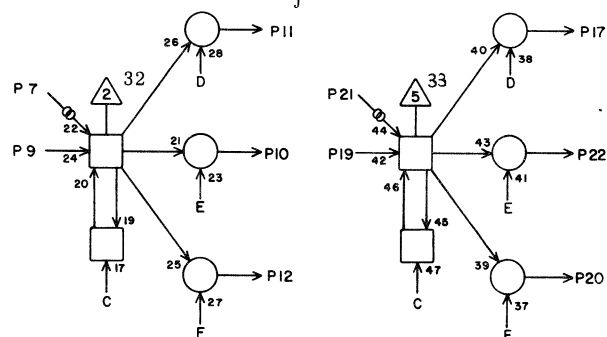
JACK	PIN	LG
1	K14	24 11
2		
3	M24	9 23
4	H37	26 33
5		
6	W27	902
7	W29	902
8	K05	x 2
9	K05	x 2
10	M24	11 23
11		
12	H37	23 33
13	I29	10 25
14	M20	19 19
15	I16	19 15
16	J21	18 19
17		
18	M19	19 17
19	K05	x 2
20	H37	15 33
21	W29	903
22	M25	20 23
23	K14	18 11
24	W27	903
25	M25	22 43
26	K05	x 2
27	H04	24 17
28	H37	3 35

63017200 Rev. E

CH. 8 INPUT REG. (X_k)



INPUT REG. (X_j)

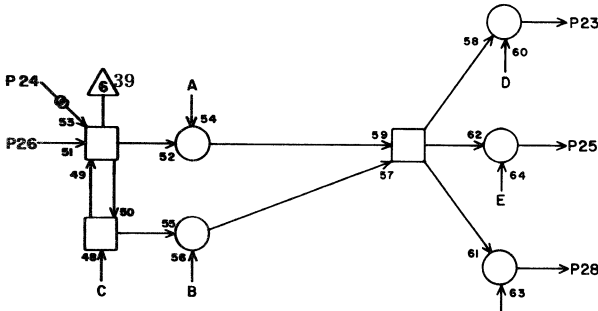
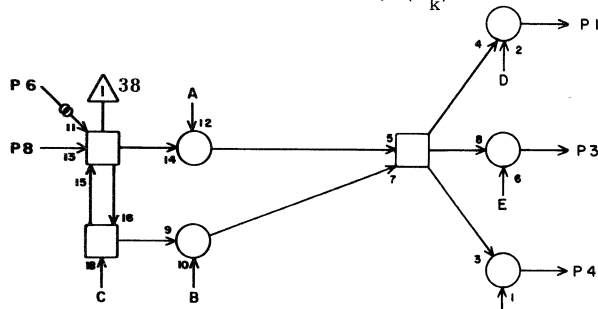


8K06

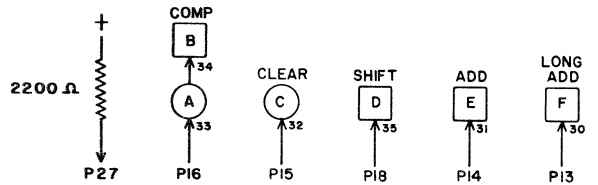
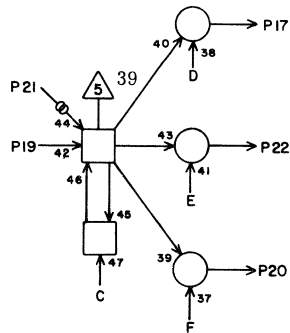
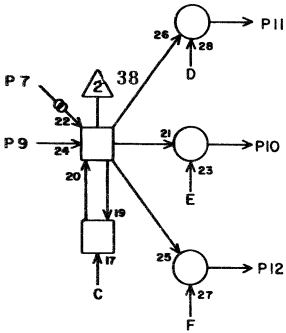
JACK	PIN	LG
1	K15	9 13
2		
3	M25	9 23
4	H37	20 31
5		
6	W27	904
7	W29	904
8	K06	x 2
9	K06	x 2
10	M25	11 23
11		
12	H37	18 33
13	I30	10 25
14	M20	20 19
15	I16	20 15
16	J21	19 17
17		
18	M19	20 17
19	K06	x 2
20	H38	23 33
21	W29	905
22	M26	20 23
23	K15	2 11
24	W27	905
25	M26	22 23
26	K06	x 2
27		
28	H38	26 33

63017200 Rev. E

CH. 8 INPUT REG. (X_k)



INPUT REG. (X_j)

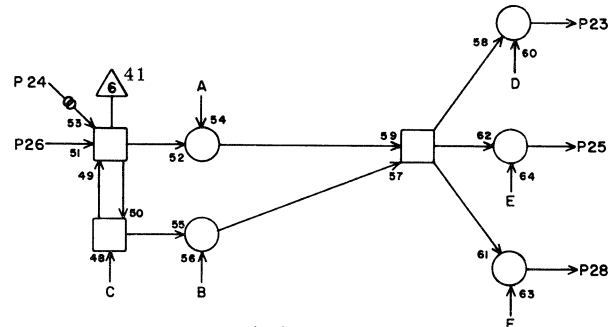
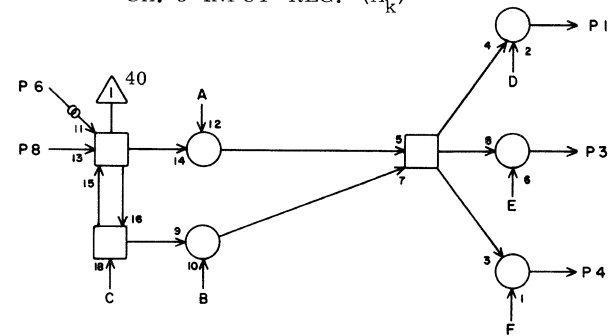


KA 8K 09

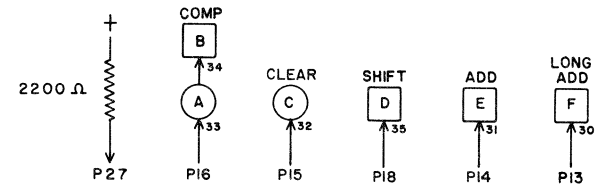
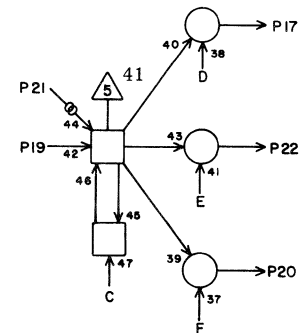
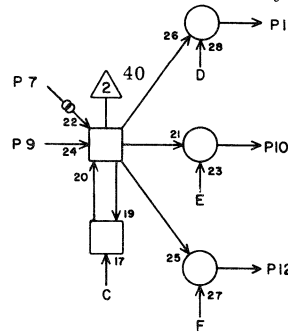
1	K16	24	9
2			
3	N21	9	19
4	H39	20	31
5			
6	K09	X	2
7	K09	X	2
8	B29	15	39
9	A29	15	43
10	N21	11	21
11			
12	H39	18	31
13	I33	10	25
14	M20	23	17
15	I16	23	13
16	J21	22	15
17			
18	M19	23	15
19	A30	15	43
20	I27	23	21
21		X	2
22	N22	20	19
23	K16	18	9
24		X	2
25	N22	22	19
26	B30	15	41
27			
28	I27	26	21

63017200 Rev. E

CH. 8 INPUT REG. (X_k)



INPUT REG. (X_j)

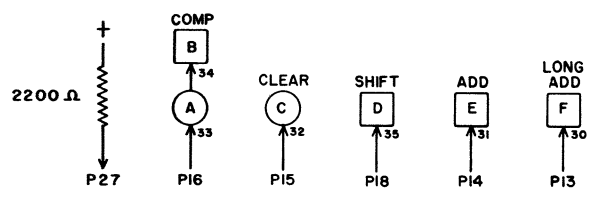
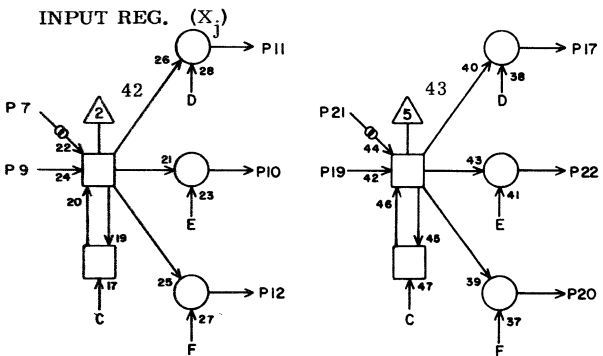
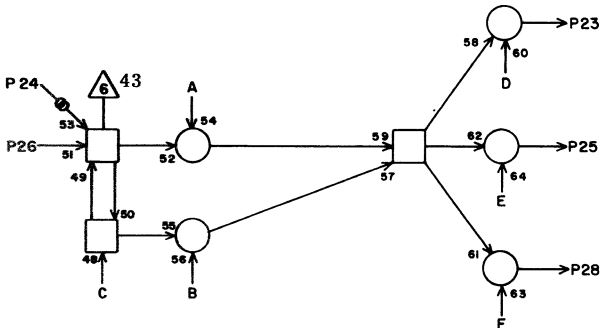
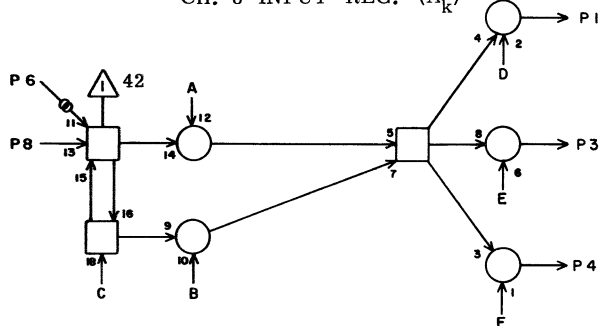


KA 8K 10

1	L12	9	9
2			
3	N22	9	19
4	I27	3	21
5			
6	K10	X	2
7	K10	X	2
8	B31	15	41
9	A31	15	43
10	N22	11	21
11			
12	I27	5	21
13	J24	18	17
14	M20	24	15
15	I16	24	13
16	J21	23	15
17			
18	M19	24	15
19	A32	15	45
20	I27	18	21
21	K10	X	2
22	N23	20	19
23	L12	2	5
24	K10	X	2
25	N23	22	19
26	B32	15	41
27			
28	I27	20	21

63017200 Rev. E

CH. 8 INPUT REG. (X_k)



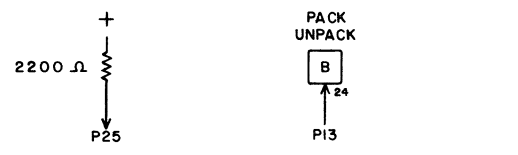
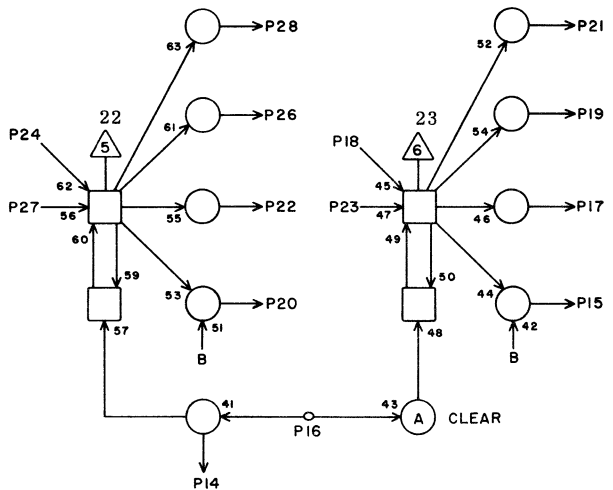
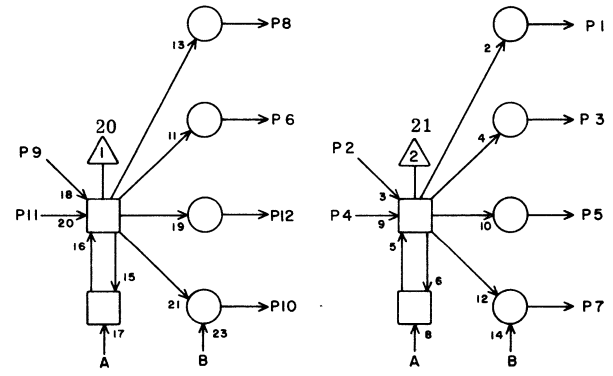
KA 8K 11

1	L12	24	9
2			
3	N23	9	19
4	I28	26	19
5			
6	K11	X	2
7	K11	X	2
8	B33	15	41
9	A33	15	43
10	N23	11	21
11			
12	I28	23	21
13	J24	19	17
14	M20	25	15
15	I16	25	11
16	J21	24	13
17			
18	M19	25	13
19	A34	15	45
20	I28	5	21
21	K11	X	2
22	N24	20	19
23	L12	18	7
24	K11	X	2
25	N24	22	19
26	B34	15	45
27			
28	I28	3	21

JACK PIN LG

63017200 Rev. P

SHIFT FEEDER REG. ($X_k + X_1$)



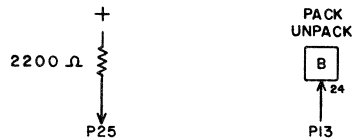
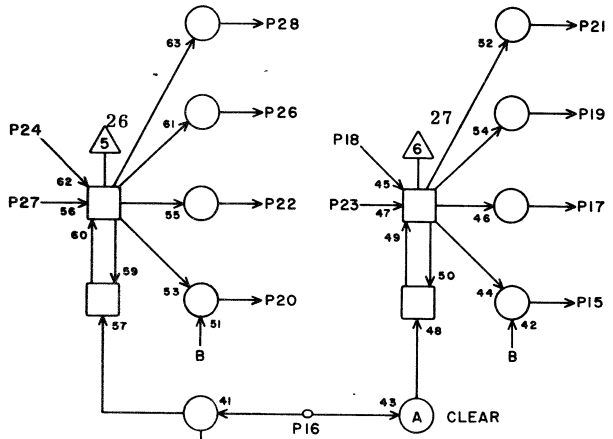
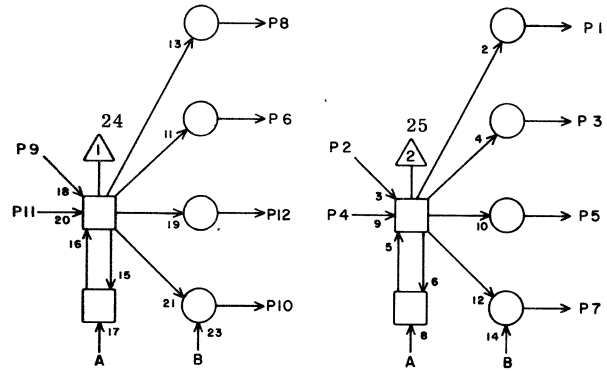
KB 8K 12

1	R03	19	31
2	J11	23	5
3	G28	28	23
4			
5			
6	G28	27	23
7	I08	13	13
8	R02	23	31
9	J11	1	9
10	I07	27	11
11			
12			
13	J17	11	9
14	JO6	18	11
15	I08	27	11
16	M18	24	13
17			
18	K01	23	13
19	G28	25	23
20	I08	22	13
21	R03	23	31
22			
23			
24	K01	1	13
25			
26	G28	21	25
27			
28	R03	5	29

JACK PIN LG

63017200 Rev. P

SHIFT FEEDER REG. ($X_k + X_i$)



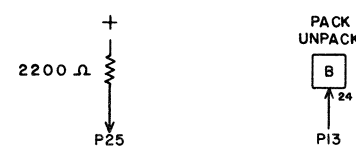
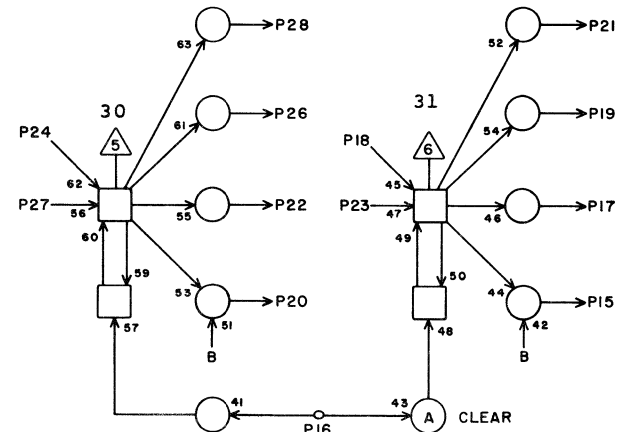
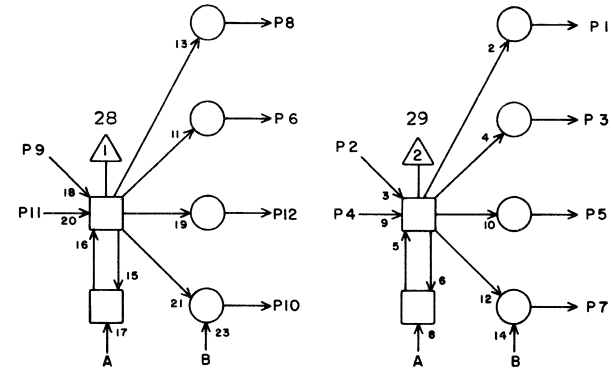
KB 8 K13

1	R04	5	31
2	K02	23	13
3	G27	2	23
4			
5			
6	G27	4	23
7	I09	22	11
8	R04	19	31
9	K02	1	13
10	I09	13	13
11			
12			
13	J17	13	9
14	J07	18	11
15	I10	13	13
16	M18	25	13
17			
18	K03	23	13
19	G27	11	23
20	I09	27	11
21	R05	19	29
22			
23			
24	K03	1	13
25			
26	G27	12	25
27			
28	K04	23	29

JACK PIN LG

63017200 Rev. E

SHIFT FEEDER REG. ($X_k + X_i$)



KB 8 K14

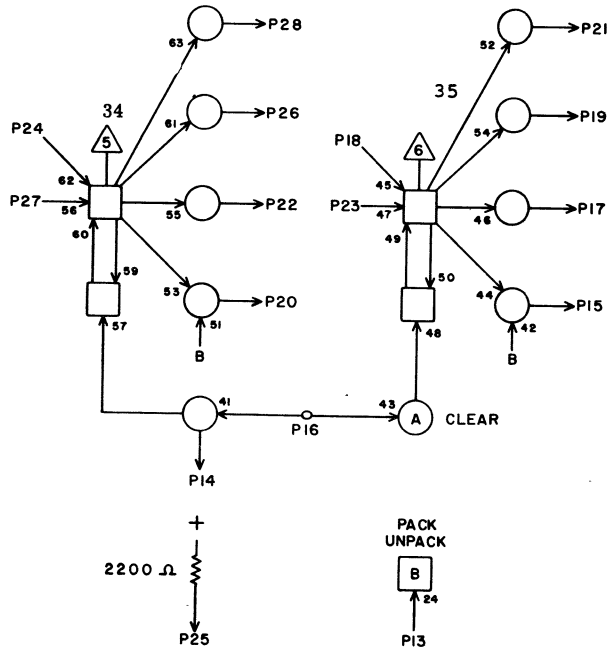
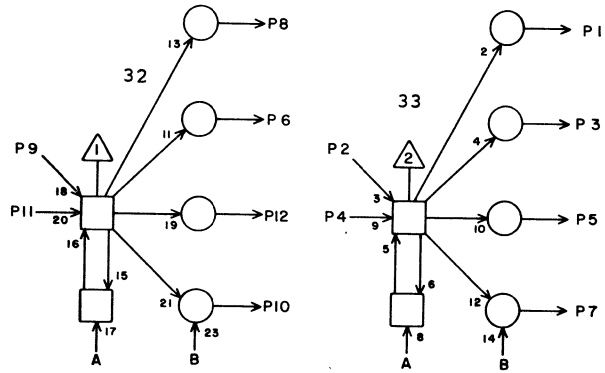
1	R05	23	31
2	K04	23	13
3	G27	28	21
4			
5			
6	G27	27	21
7	I10	27	11
8	R05	5	31
9	K04	1	13
10	I10	22	11
11			
12			
13	J17	1	9
14	J08	18	11
15	I11	22	11
16	M18	26	11
17			
18	K05	23	11
19	G27	25	23
20	I11	13	13
21	R06	5	29
22			
23			
24	K05	1	11
25			
26	G27	21	23
27			
28	R06	19	29

JACK PIN LG

63017200 Rev. E

8K14

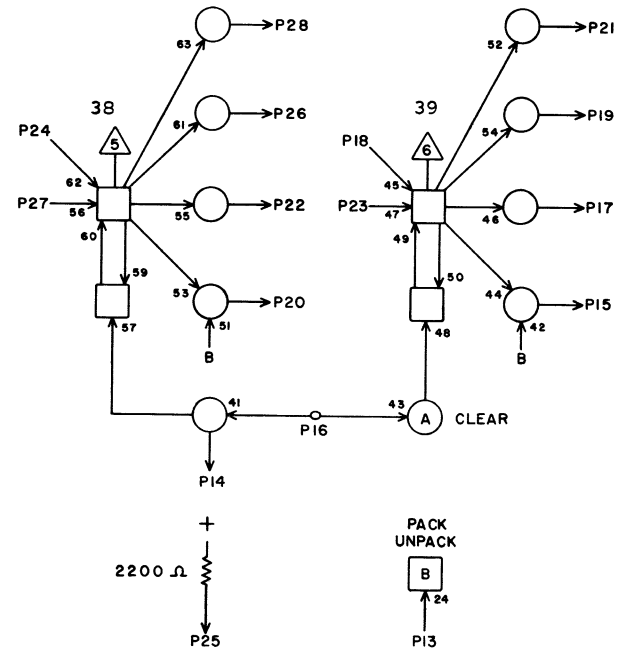
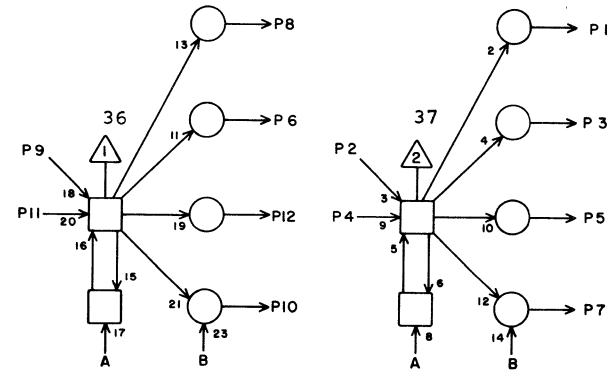
SHIFT FEEDER REG. ($X_k + X_i$)



KB 8K15

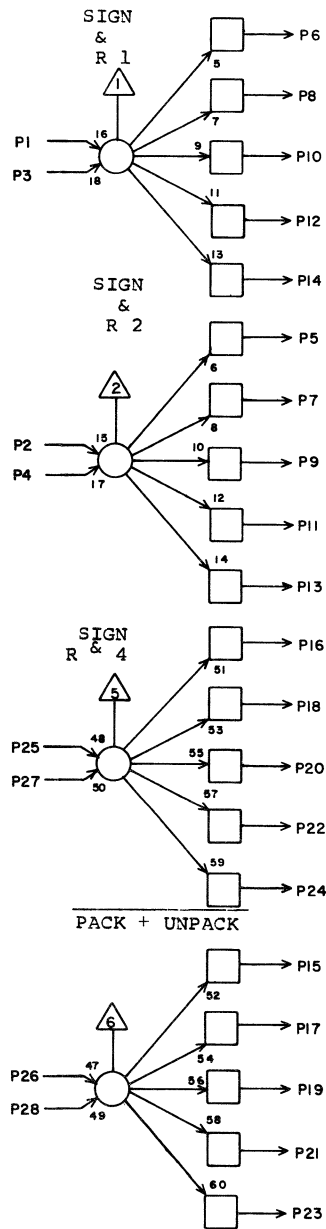
JACK	PIN	LG
1	R07	19 31
2	K06	23 11
3	G26	2 21
4		
5		
6	G26	4 21
7	I12	13 11
8	R06	23 31
9	K06	1 13
10	I11	27 11
11		
12		
13	J17	8 9
14	J09	18 11
15	I12	27 11
16	M18	9 11
17		
18	K07	23 11
19	G26	11 23
20	I12	22 13
21	R07	23 31
22		
23		
24	K07	1 11
25		
26	G26	12 23
27		
28	R07	5 29

SHIFT FEEDER REG. ($X_k + X_i$)



KB 8K16

JACK	PIN	LG
1	R08	5 31
2	K08	23 11
3	G26	28 19
4		
5		
6	G26	27 21
7	I13	22 11
8	R08	19 31
9	K08	1 11
10	I13	13 11
11		
12		
13	J17	10 7
14	J10	18 11
15	I14	13 13
16	M18	10 11
17		
18	K04	23 9
19	G26	25 21
20	I13	27 11
21	R09	19 31
22		
23		
24	K09	1
25		
26	G26	21 21
27		
28	R08	23 31

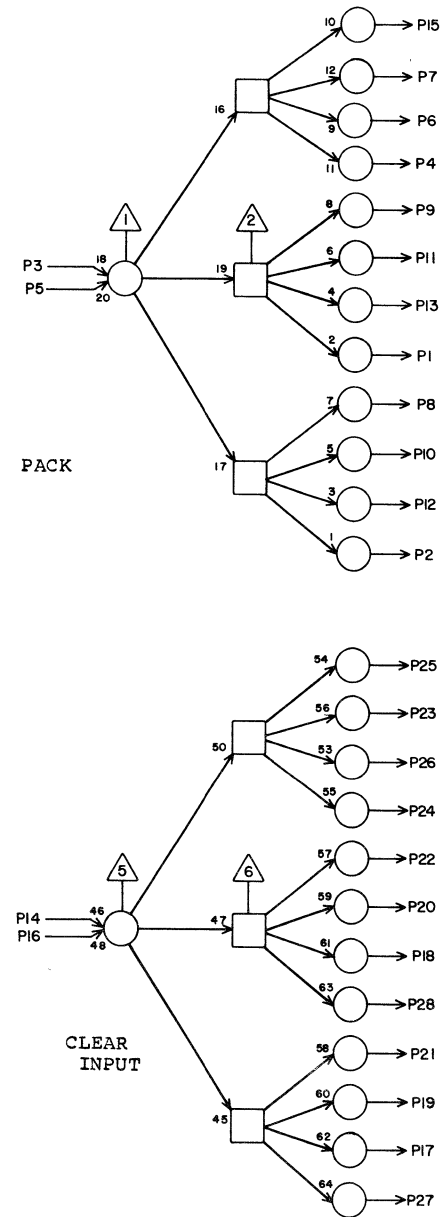


T D 8K17

1	I24	13	13
2	I24	9	13
3			
4			
5	Q05	21	29
6	R15	1	29
7	Q10	21	29
8			
9			
10			
11			
12			
13			
14			
15	L14	13	9
16	P10	1	23
17	L15	13	7
18	P15	1	24
19	L16	13	7
20	Q05	1	29
21			
22	Q10	1	25
23			
24			
25	I24	11	15
26	I19	17	13
27			
28			

JACK PIN LG

63017200 Rev. E.



8K18

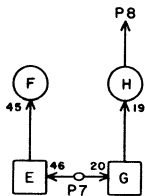
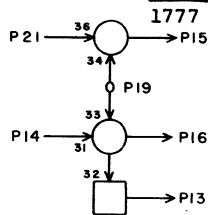
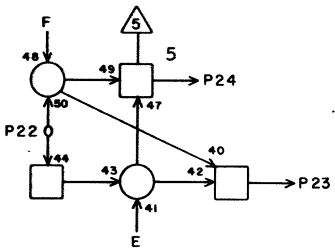
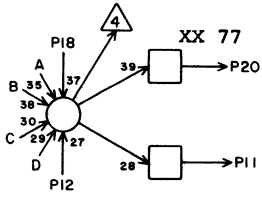
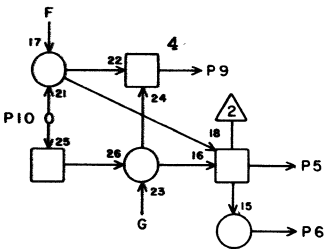
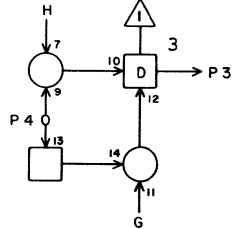
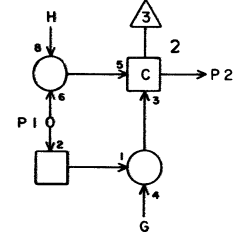
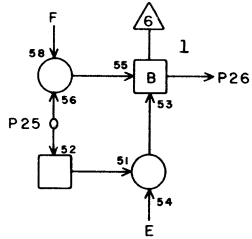
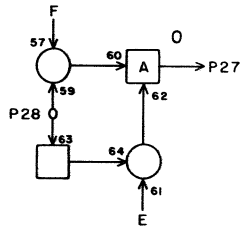
T C 8K18

1	I11	6	13
2	I15	6	11
3	E13	6	25
4	I07	6	15
5	K18	x	2
6	I06	6	17
7	I05	6	17
8	I12	6	13
9	I08	6	15
10	I13	6	13
11	I09	6	15
12	I14	6	13
13	I10	6	15
14	H26	2	60
15	I04	6	19
16	K18	x	2
17			
18	L10	12	11
19	Lo2	15	21
20	Lo9	12	13
21			
22	Lo8	15	13
23	Lo5	15	15
24	Lo7	15	13
25	Lo4	15	17
26	Lo6	15	15
27	I17	25	13
28	L11	12	11

JACK PIN LG

63017200 Rev. N

XK Add Exponents



KS

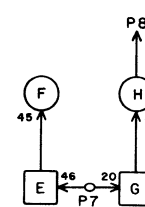
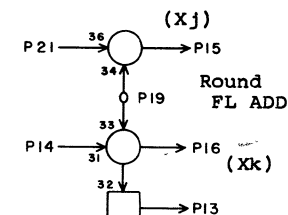
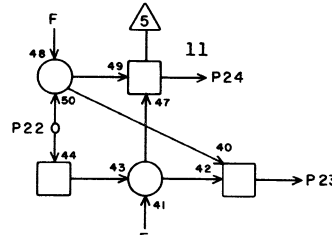
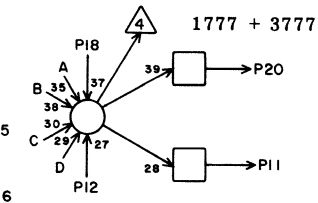
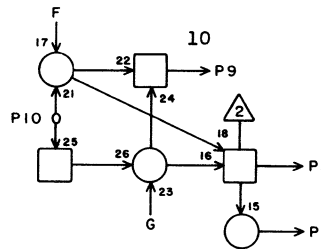
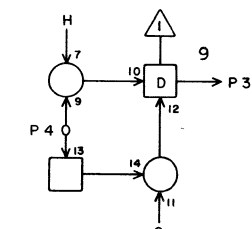
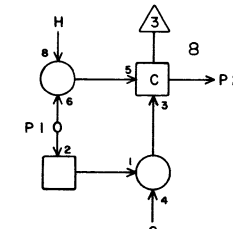
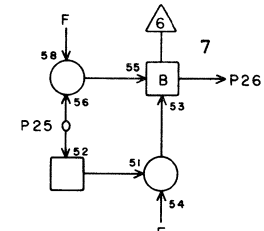
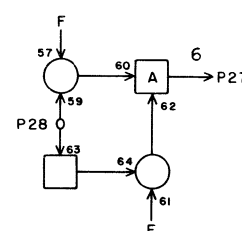
8K 19

1	B41	18	41
2	K31	4	15
3	K32	27	15
4	B42	18	41
5	K19	18	3
6			
7	D36	23	33
8			
9	K32	7	15
10	D29	18	33
11			
12	K19	23	3
13	D20	5	33
14			
15	M19	7	11
16	L40	28	23
17			
18	K19	5	3
19	K20	20	5
20	K20	12	5
21	K20	5	5
22	D30	18	33
23	K19	12	3
24	K32	4	15
25	B40	18	47
26	K31	7	15
27	K31	27	15
28	B39	18	41

JACK PIN LG

KS

8K 20

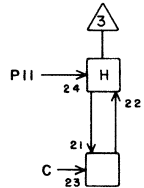
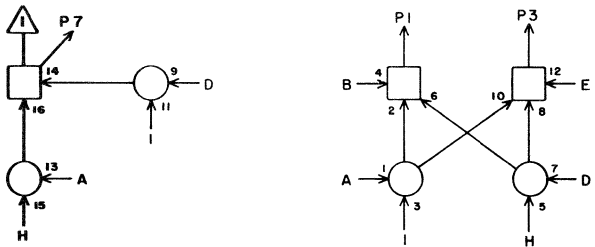


SIGN

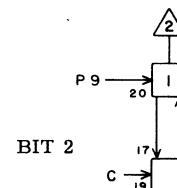
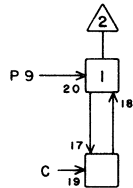
1	D33	18	33
2	K33	4	15
3	K34	27	17
4	D34	18	31
5	K19	21	5
6	D20	7	35
7	D36	22	33
8			
9	K34	7	17
10	D35	18	33
11	G17	2	19
12	K19	20	5
13			
14			
15	O32	3	23
16	K42 G18	24 6	15 19
17			
18			
19	N27	15	19
20	K19	19	5
21			
22	D35	22	35
23			
24	K34	4	17
25	D32	18	33
26	K33	7	15
27	K33	27	15
28	D31	18	33

JACK PIN LG

ADD FEEDER REG.

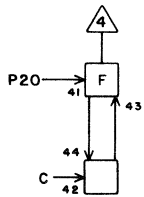


BIT 0

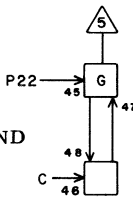


BIT 2

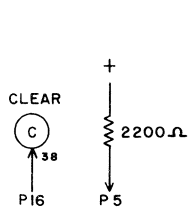
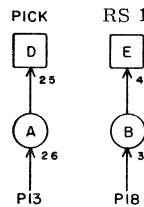
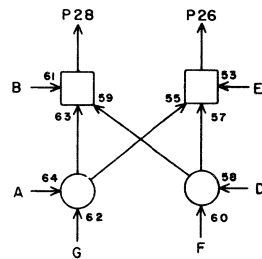
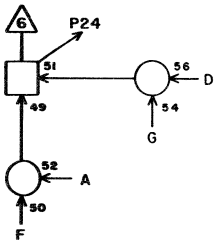
X_j



ROUND



X_k



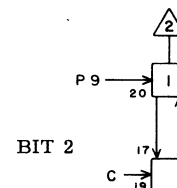
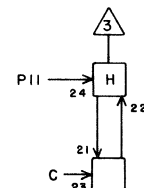
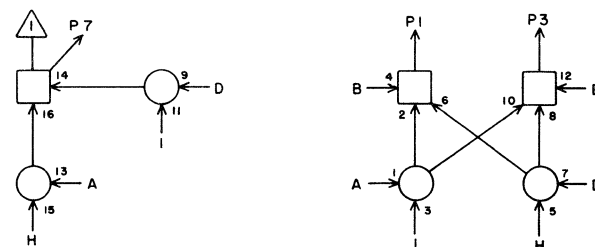
ND 8K 21

1	M32	19	15
2			
3	M31	9	15
4			
5			
6			
7	P28	28	23
8			
9	J01	3	21
10			
11	L09	20	17
12			
13	L34	1	15
14			
15			
16	L35	1	17
17			
18	L33	1	15
19			
20	H24	14	15
21			
22	H24	19	13
23			
24			
25			
26	M32	9	17
27			
28	M31	5	15

JACK PIN LG

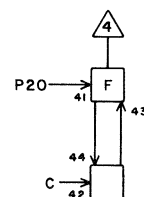
63017200 Rev. E

ADD FEEDER REG.

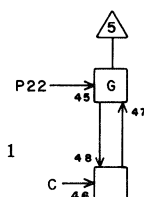


BIT 2

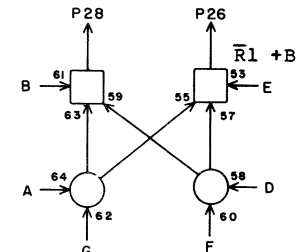
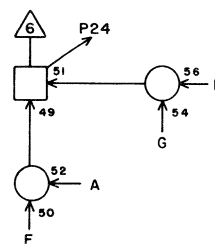
X_j



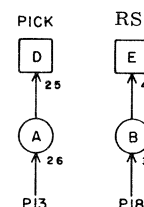
BIT 1



X_k

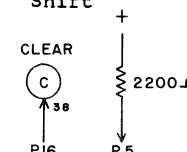


Shift X_j



1,2 for no Shift

Shift X_k



ND 8K 22

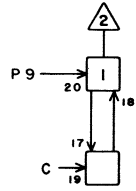
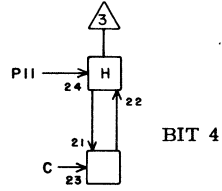
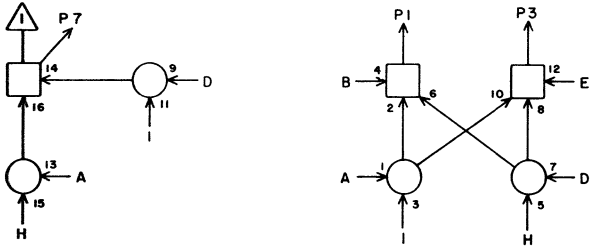
1	M32	21	15
2			
3	M31	11	15
4			
5			
6			
7	P29	28	23
8			
9	J02	3	21
10			
11	L10	20	15
12			
13	L34	2	15
14			
15			
16	L35	2	15
17			
18	L33	2	13
19			
20	L09	27	15
21			
22	J01	4	23
23			
24	P29	18	23
25			
26	M32	11	15
27			
28	M31	19	15

JACK PIN LG

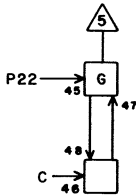
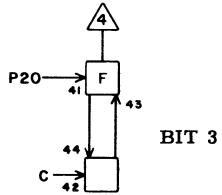
63017200 Rev. E

8K22

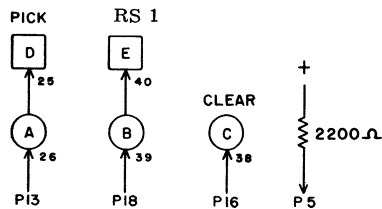
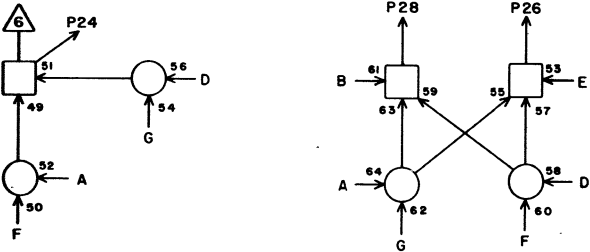
ADD FEEDER REG.



X_j



X_k



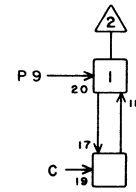
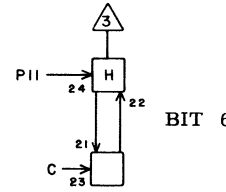
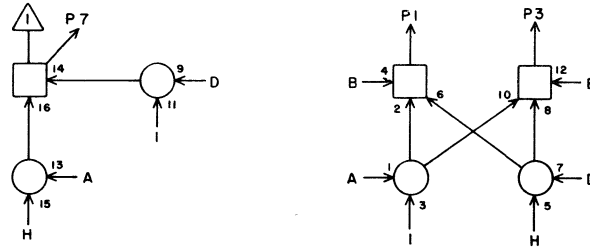
ND 8K 23

1	M32	27	15
2			
3	M31	23	15
4			
5			
6			
7	P30	28	23
8			
9	J03	3	21
10			
11	L11	20	15
12			
13	L34	3	15
14			
15			
16	L35	3	15
17			
18	L33	3	13
19			
20	L10	27	15
21			
22	J02	4	23
23			
24	P30	18	23
25			
26	M32	23	15
27			
28	M31	21	15

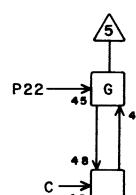
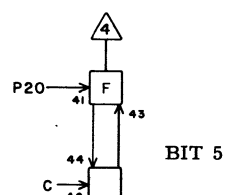
JACK PIN LG

63017200 Rev. E

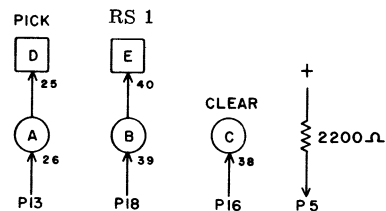
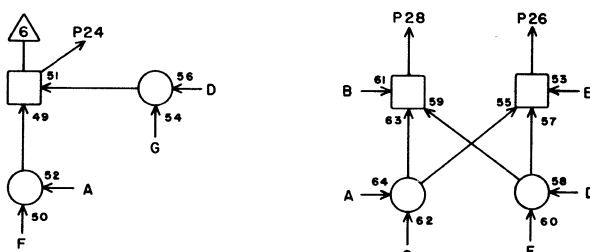
ADD FEEDER REG.



X_j



X_k



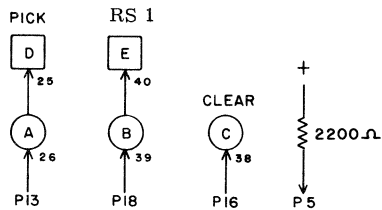
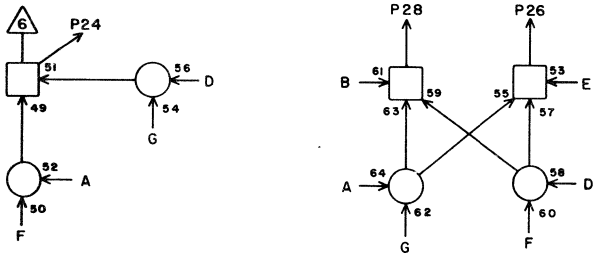
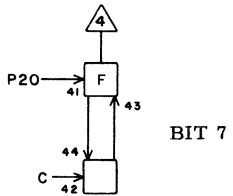
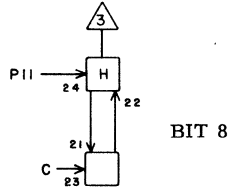
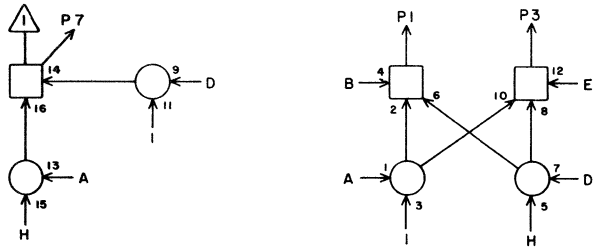
ND 8K 24

1	M34	7	15
2			
3	M31	25	15
4			
5			
6			
7	Q20	28	27
8			
9	J04	3	21
10			
11	J04	10	21
12			
13	L34	4	13
14			
15			
16	L35	4	13
17			
18	L33	4	13
19			
20	L11	27	15
21			
22	J03	4	23
23			
24	Q20	18	27
25			
26	M32	25	15
27			
28	M31	27	15

JACK PIN LG

63017200 Rev. E

ADD FEEDER REG.

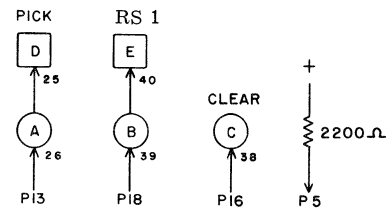
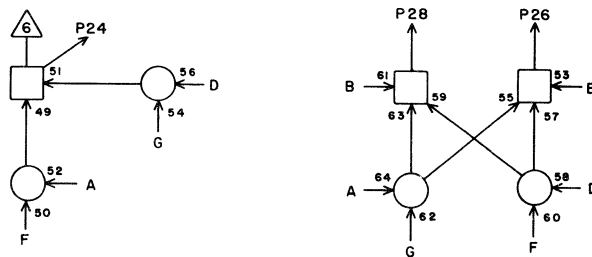
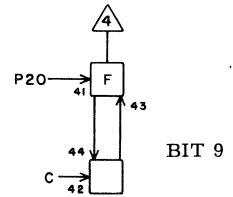
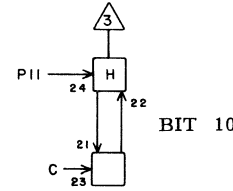
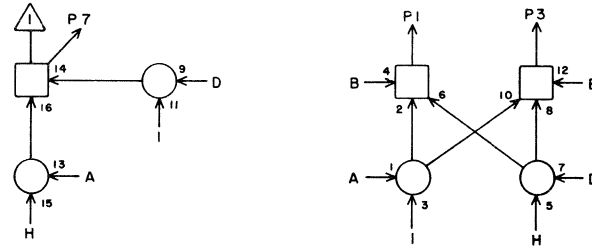


ND 8K 25

1	M34	5	15
2			
3	M33	1	13
4			
5			
6			
7	Q21	28	27
8			
9	J05	3	21
10			
11	J05	10	23
12			
13	L34	5	13
14			
15			
16	L35	5	13
17			
18	L33	5	13
19			
20	J04	22	23
21			
22	J04	25	23
23			
24	Q21	18	27
25			
26	M34	1	15
27			
28	M33	7	15

JACK PIN LG

ADD FEEDER REG.

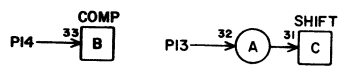
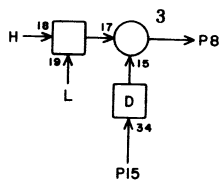
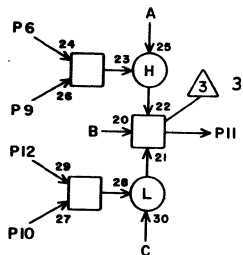
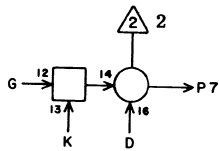
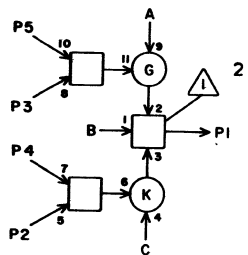
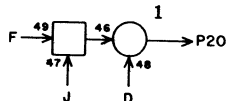
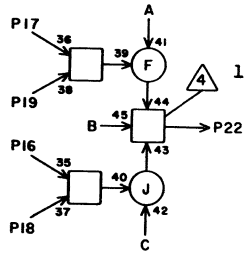
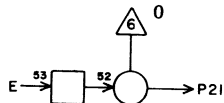
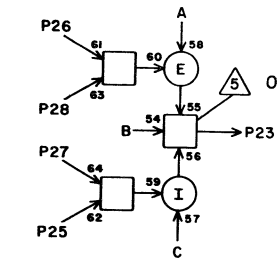


ND 8K 26

1	M34	19	15
2			
3	M33	9	15
4			
5			
6			
7	Q22	28	29
8			
9	J06	3	21
10			
11	J06	10	23
12			
13	L34	6	11
14			
15			
16	L35	6	13
17			
18	L33	6	11
19			
20	J05	22	23
21			
22	J05	25	23
23			
24	Q22	18	27
25			
26	M34	9	13
27			
28	M33	5	11

JACK PIN LG

ADD EXPONENT RESULT



COMPLEMENT

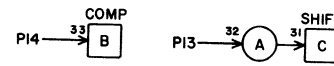
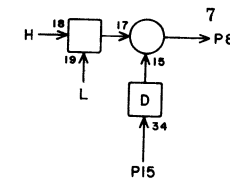
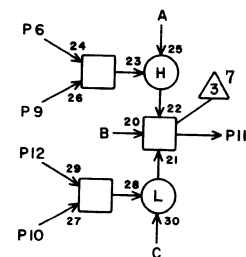
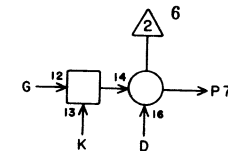
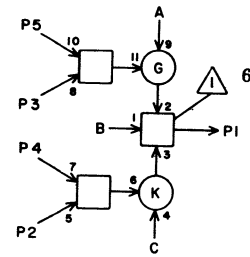
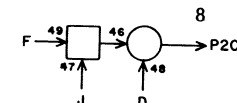
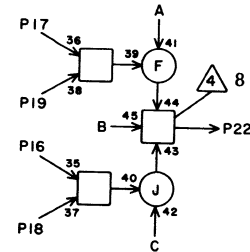
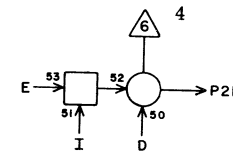
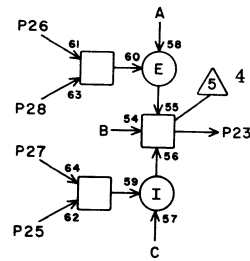
NU 8K 27

1	H14	19	19
2	L38	8	15
3	L38	11	15
4	L38	5	15
5	L38	16	15
6	L37	11	15
7	H14	21	19
8	H14	27	19
9	L37	6	13
10	L37	2	13
11	H14	25	19
12	L37	5	13
13	L30	6	9
14	K29	6	7
15	K29	1	7
16	L38	6	15
17	L38	15	15
18	L38	7	15
19	L38	13	15
20	H14	10	19
21	H14	4	21
22	H14	8	21
23	H14	2	21
24			
25	L38	4	13
26	L38	28	15
27	L38	1	13
28	L38	17	15

JACK PIN LG

63017200 Rev. S

ADD EXPONENT RESULT



COMPLEMENT

NU 8K28

1	H15	19	19
2	L27	2	7
3	L27	25	11
4	L28	9	9
5	L27	28	11
6	L27	26	11
7	H15	21	19
8	H15	27	19
9	L27	24	9
10	L28	27	9
11	H15	25	19
12	L28	26	9
13	N27	13	15
14	K29	10	5
15	K29	4	5
16	L28	22	9
17	L27	23	9
18	L28	21	9
19	L27	22	9
20	H16	4	21
21	H15	4	21
22	H16	2	21
23	H15	2	21
24			
25	L28	16	7
26	L28	15	7
27	L28	19	7
28	L28	12	7

JACK PIN LG

63017200 Rev. E

ADD EXPONENT INPUT REG

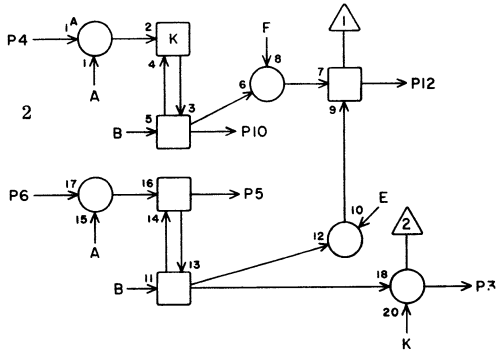
NM 8K31

1			
2			
3	K35	3	7
4	K19	2	15
5	K35	5	7
6	J19	2	15
7	K19	26	15
8	M18	1	17
9			
10	K35	7	7
11	K35	19	7
12	L38	26	13
13	L31	18	7
14			
15	L38	21	11
16	K32	13	5
17	K35	17	7
18	K35	15	7
19	L38	27	13
20			
21	K35	11	7
22			
23	D28	10	31
24	J19	26	15
25	J19	27	15
26	K35	9	7
27	K19	27	15
28	K35	13	7

JACK PIN LG

63017200 Rev. E

X_k



X_j

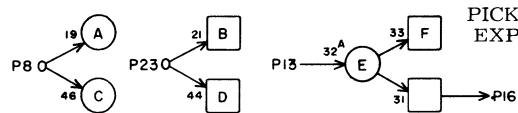
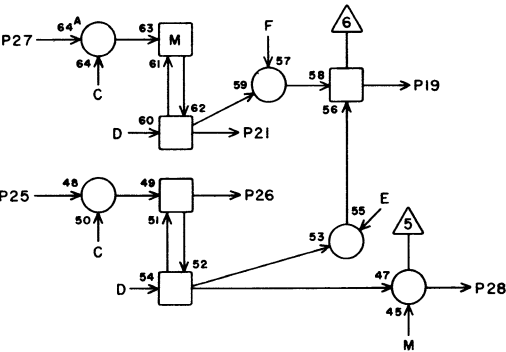
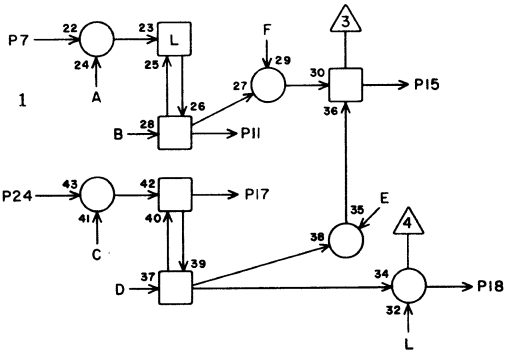
X_k

X_j

X_k

0

X_j



PICK LARGER EXPONENT

ADD EXPONENT INPUT REG

NM 8K32

1			
2			
3	K36	3	7
4	K19	24	15
5	K36	5	7
6	J19	24	15
7	K19	9	15
8	M18	2	19
9			
10	K36	7	7
11	K36	19	7
12	L37	18	11
13	K31	16	5
14			
15	L37	15	11
16	K33	13	5
17	K36	17	7
18	K36	15	7
19	L37	16	9
20			
21	K36	11	7
22			
23	D28	8	31
24	J19	9	17
25	J19	3	17
26	K36	9	7
27	K19	3	15
28	K36	13	9

JACK PIN LG

63017200 Rev. E

X_k

X_j

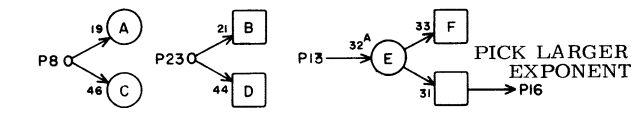
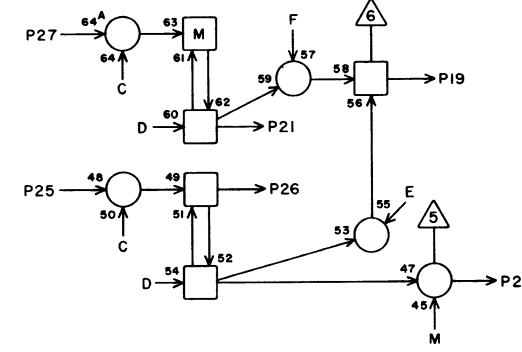
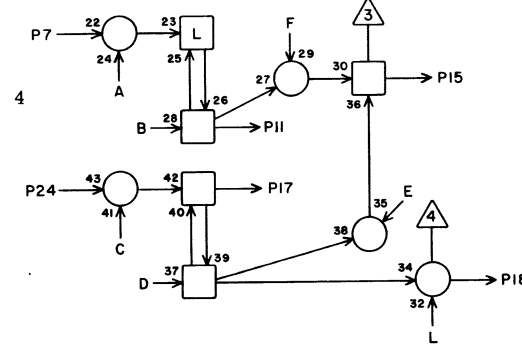
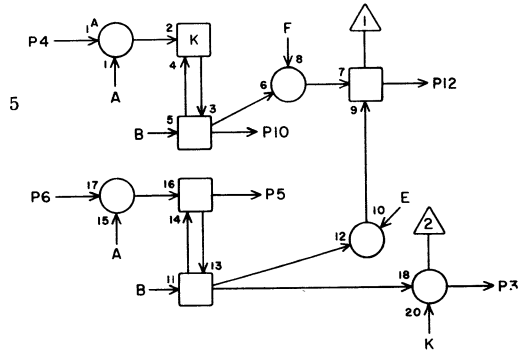
X_k

X_j

X_k

3

X_j

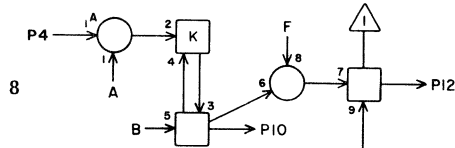


PICK LARGER EXPONENT

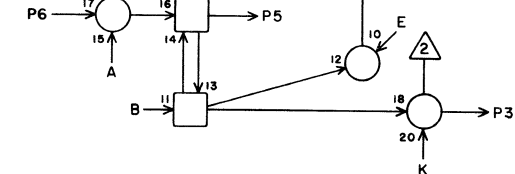
ADD EXPONENT INPUT REG.

NM 8K33

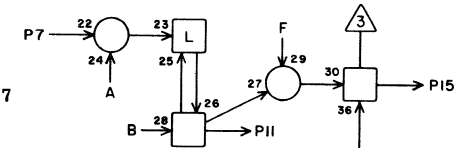
X_k



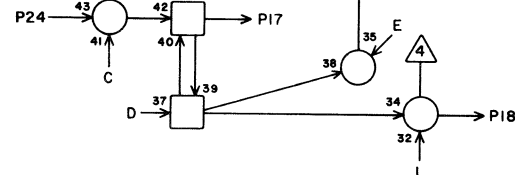
X_j



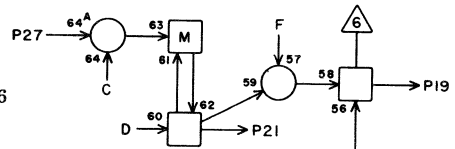
X_k



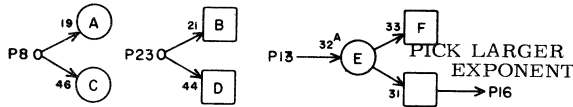
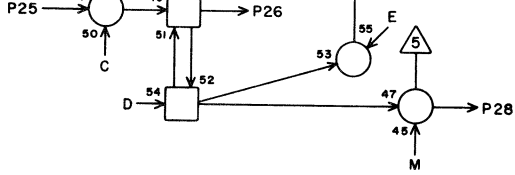
X_j



X_k



X_j



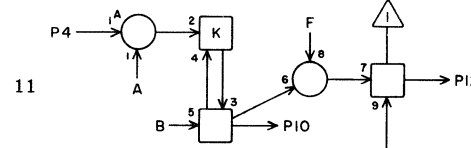
1			
2			
3	K37	3	7
4	K20	2	15
5	K37	5	7
6	J20	2	17
7	K20	26	15
8	M18	3	19
9			
10	K37	7	9
11	K37	19	7
12	L27	19	11
13	K32	16	5
14			
15	L27	15	11
16	K34	13	5
17	K37	17	7
18	K37	15	7
19	L27	14	11
20			
21	K37	11	7
22			
23	D28	6	31
24	J20	26	17
25	J20	27	17
26	K37	9	9
27	K20	27	15
28	K37	13	7

63017200 Rev. E

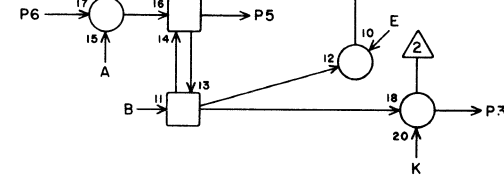
ADD EXPONENT INPUT REG.

NM 8K34

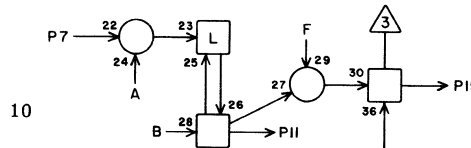
X_k



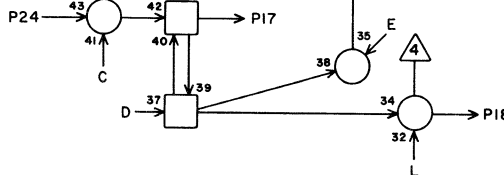
X_j



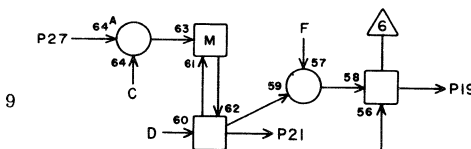
X_k



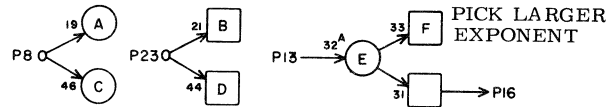
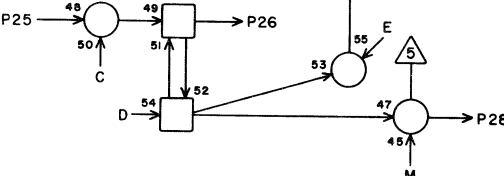
X_j



X_k



X_j

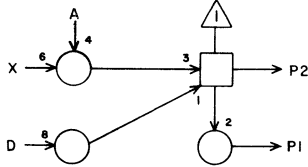


8K34

63017200 Rev. E

1			
2			
3	K38	3	7
4	K20	24	17
5	K38	5	7
6	J20	24	17
7	K20	9	17
8	M18	4	19
9			
10	K38	7	7
11	K38	19	7
12	N27	6	17
13	K33	16	5
14			
15	M27	15	15
16			
17	K38	17	7
18	K38	15	7
19	M27	14	13
20			
21	K38	11	7
22			
23	D28	4	31
24	J20	9	17
25	J20	3	17
26	K38	9	7
27	K20	3	17
28	K38	13	7

ADD EXPONENT $X_j - X_k$

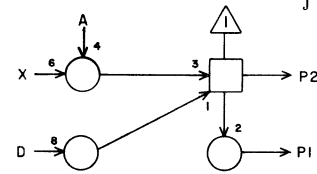


QB 8K 35

1	L31	1	9
2	L31	3	9
3	K31	3	7
4	L31	23	11
5	K31	5	7
6	L31	20	9
7	K31	10	7
8	L31	6	9
9	K31	26	7
10			
11	K31	21	7
12	L31	24	11
13	K31	28	7
14	L41	3	9
15	K31	18	7
16	L42	23	13
17	K31	17	7
18			
19	K31	11	7
20	L41	25	11
21	L31	17	9
22	L42	27	11
23			
24	L42	5	11
25	L31	11	9
26			
27			
28	L31	22	9

63017200 Rev. E

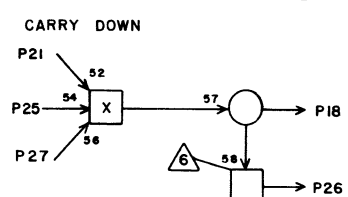
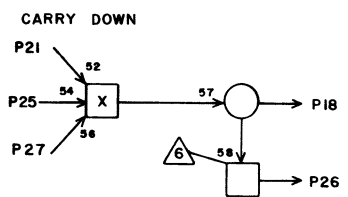
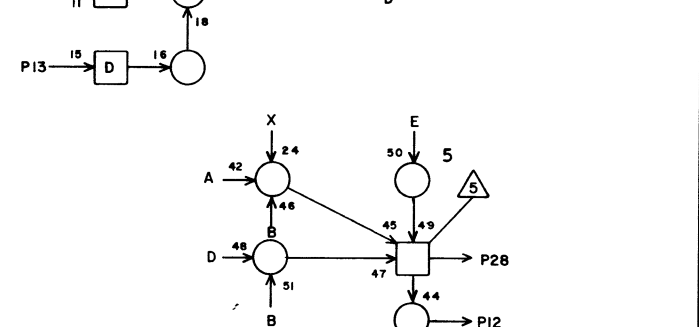
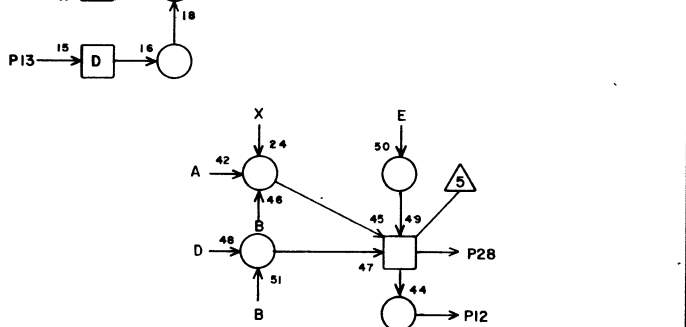
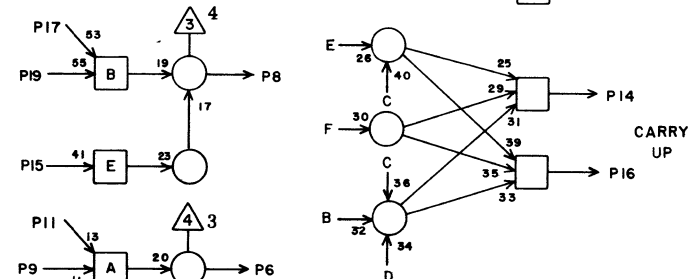
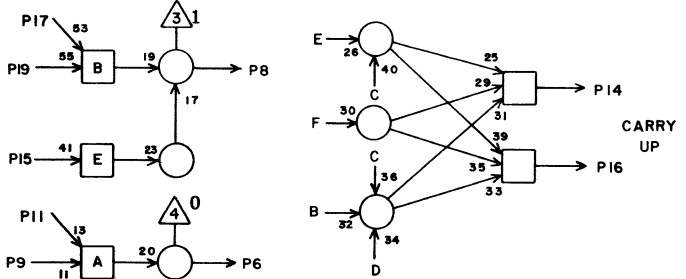
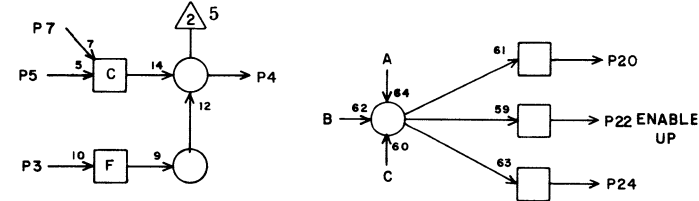
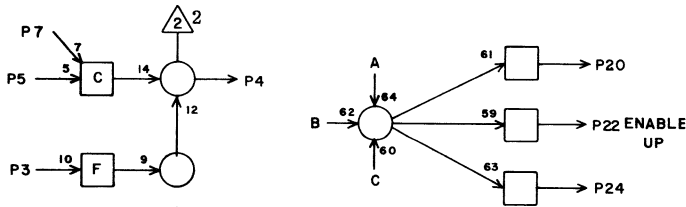
ADD EXPONENT $X_j - X_k$



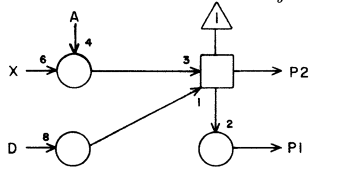
QB 8K 36

1	K41	27	11
2	K41	24	11
3	K32	3	7
4	K40	25	9
5	K32	5	7
6	K40	4	7
7	K32	10	7
8	K41	18	7
9	K32	26	7
10			
11	K32	21	7
12	K40	26	7
13	K32	28	9
14	L41	1	9
15	K32	18	7
16	L42	6	9
17	K32	17	7
18	K40	3	7
19	K32	11	7
20	L41	5	9
21	L42	7	9
22	L41	27	9
23			
24	L42	26	11
25	L42	21	11
26	K40	6	7
27	L42	13	11
28	K40	23	9

63017200 Rev. E



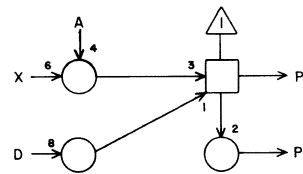
ADD EXPONENT $X_j - X_k$



8K 37

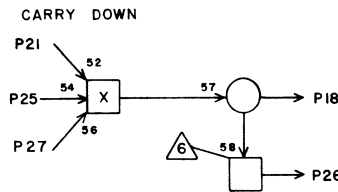
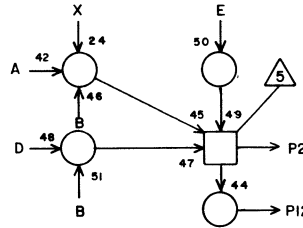
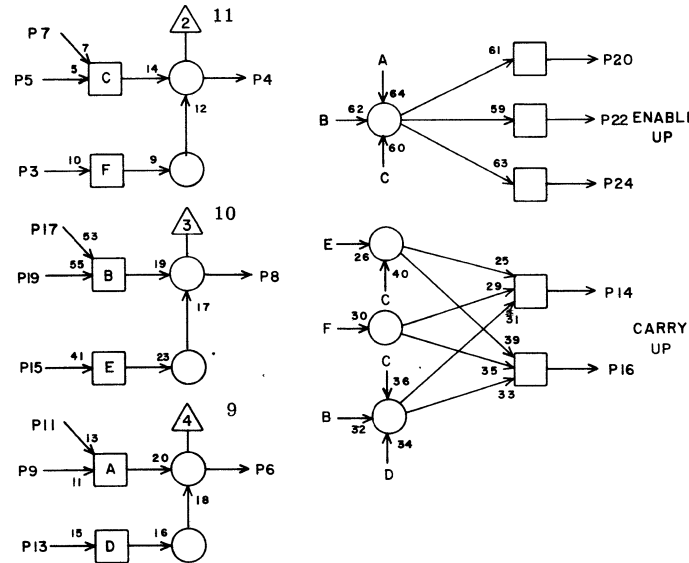
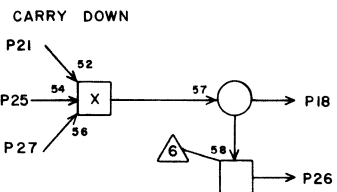
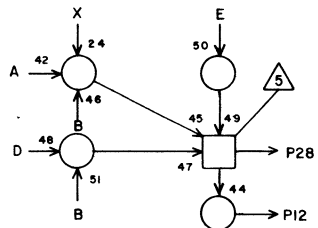
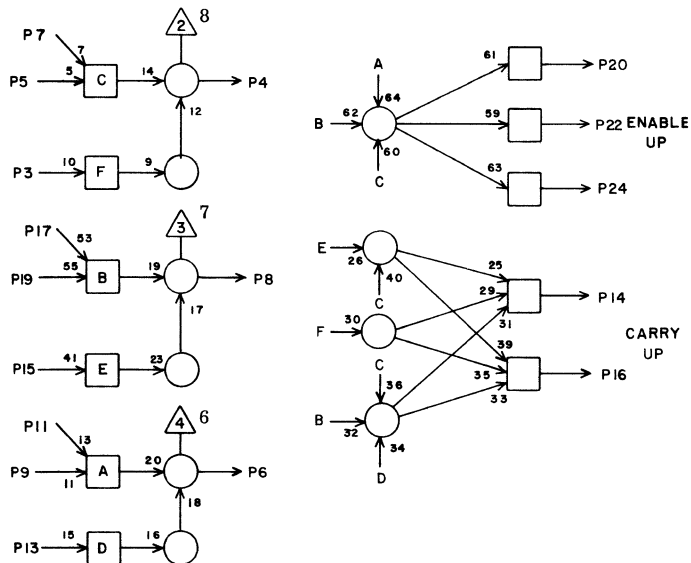
QB	JACK	PIN	LG
1	K41	23	9
2	K41	21	9
3	K33	3	7
4	K41	1	7
5	K33	5	7
6	K40	22	7
7	K33	10	9
8	K41	16	7
9	K33	26	9
10			
11	K33	21	7
12	K41	4	7
13	K33	28	7
14	L41	11	11
15	K33	18	7
16	L42	8	9
17	K33	17	7
18	K40	21	7
19	K33	11	7
20	L41	18	9
21	L41	28	9
22	L42	4	9
23			
24	L42	28	9
25	L41	8	7
26	K40	24	7
27			
28	K41	2	9

ADD EXPONENT $X_j - X_k$



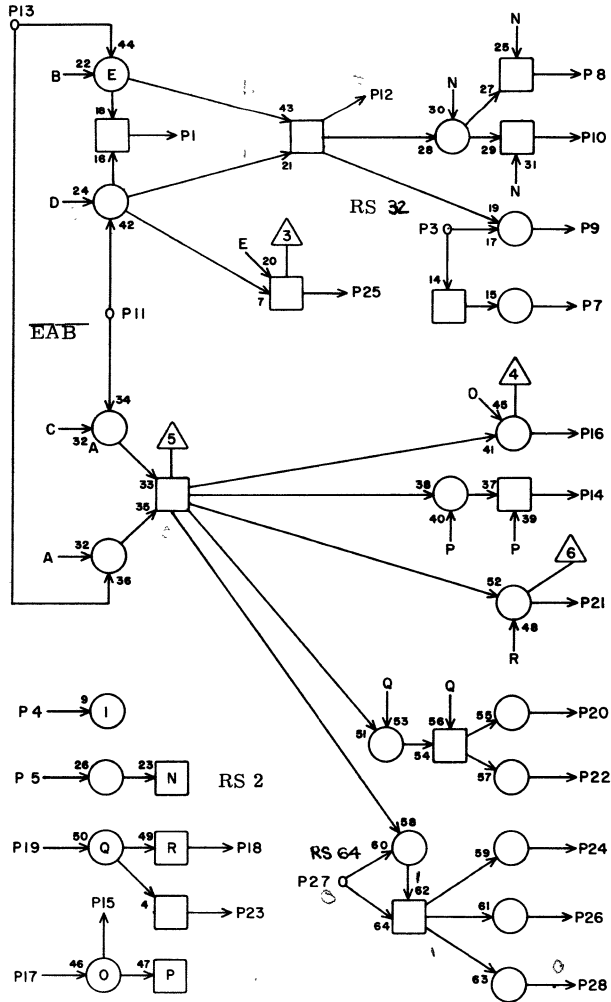
8K 38

QB	JACK	PIN	LG
1	K40	8	5
2	K40	5	5
3	K34	3	7
4	K40	10	5
5	K34	5	7
6	K41	6	5
7	K34	10	7
8	L31	12	11
9	K34	26	7
10			
11	K34	21	7
12			
13	K34	28	7
14	L41	7	9
15	K34	18	7
16	L42	25	9
17	K34	17	7
18	K41	3	7
19	K34	11	7
20	L41	9	9
21	L42	24	9
22	L41	16	7
23			
24	L42	3	7
25	L42	10	7
26	K41	5	7
27	L42	18	9
28			





EAB



XMIT
ADD

RS 16

RS 4

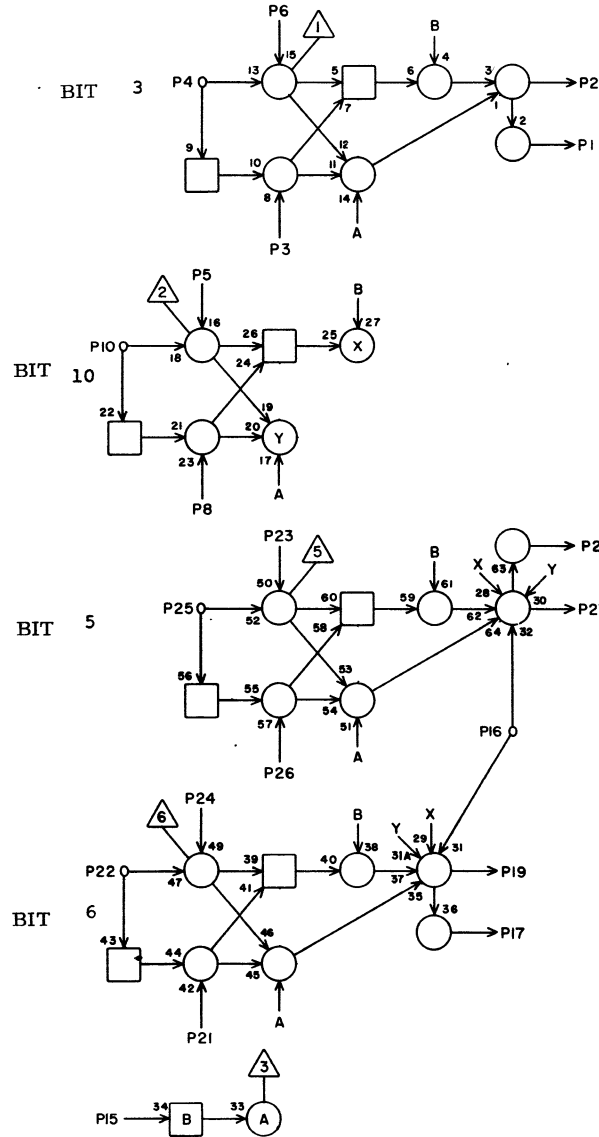
NO 8 K39

1	O27	19	23
2	D19	8	37
3	K40	27	5
4	C28	8	35
5	L31	2	11
6	L30	16	13
7	P31	12	25
8	P42	7	23
9	P31	14	25
10	P42	17	23
11	L31	10	11
12	P32	12	25
13	L31	8	11
14	L40	3	7
15	P37	7	23
16	P37	8	23
17	L31	25	11
18	P39	14	23
19	K41	26	5
20	P37	14	23
21	P39	16	23
22	P39	7	25
23	L40	6	7
24	Q32	12	27
25	Q31	12	27
26	R31	12	29
27	K40	19	5
28	R32	12	29

JACK PIN LG

63017200 Rev. P

ADD EXPONENT $X_j - X_k$



NN 8 K40

1	L39	14	9
2	L40	25	9
3	K36	18	7
4	K36	6	7
5	K38	2	5
6	K36	26	7
7			
8	K38	1	5
9			
10	K38	4	5
11			
12			
13			
14			
15	L31	19	13
16	K41	10	5
17	P40	12	25
18			
19	K39	27	5
20			
21	K37	18	7
22	K37	6	7
23	K36	28	9
24	K37	26	7
25	K36	4	9
26	K36	12	7
27	K39	3	5
28	P38	12	23

JACK PIN LG

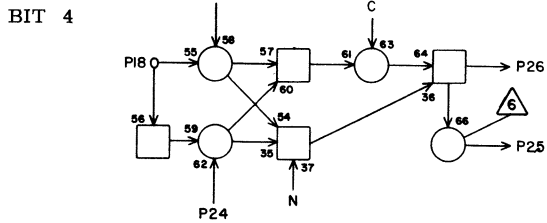
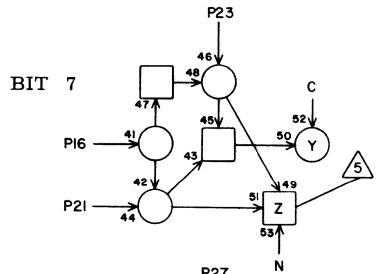
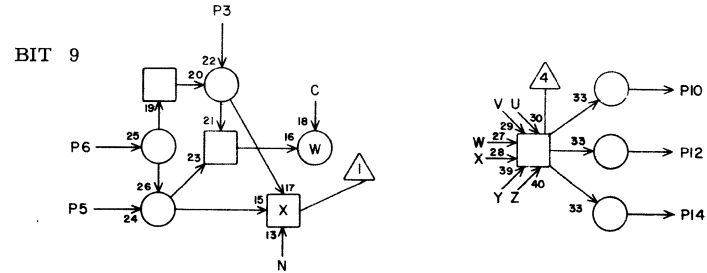
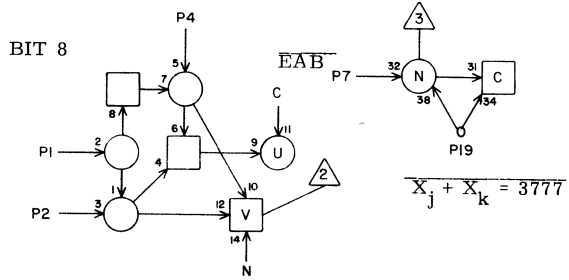
63017200 Rev. P

ADD EXPONENT $X_j - X_k$

NY 8K 41

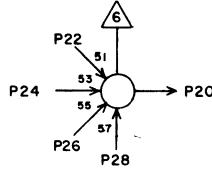
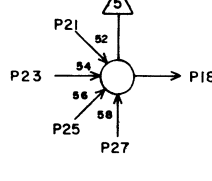
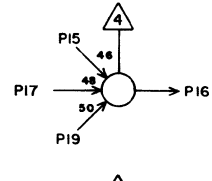
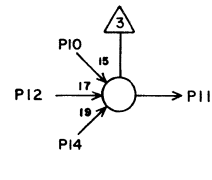
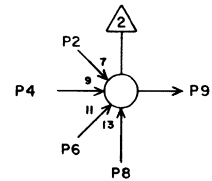
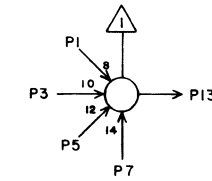
LS 63064100
ASSY C
REV

TI K42



1	K37	4	7
2	K37	28	9
3	K38	18	7
4	K37	12	7
5	K38	26	7
6	K38	6	5
7	L31	27	13
8			
9			
10	K40	16	5
11			
12			
13			
14			
15			
16	K37	8	7
17			
18	K36	8	7
19	F26	9	27
20			
21	K37	2	9
22			
23	K37	1	9
24	K36	2	11
25	L39	3	9
26	K39	19	7
27	K36	1	11
28			

JACK PIN LG



K42			
1	K42	11	5
2	K42	13	5
3	L40	7	7
4	B26	23	39
5	F25	11	27
6			
7	E20	15	31
8			
9	K42	21	5
10	E21	9	31
11	K42	1	5
12			
13	K42	2	5
14			
15	G01	22	43
16	E20	16	33
17			
18	F13	28	35
19			
20	N06	16	
21	K42	9	5
22	G18	19	20
23			
24	K20	16	15
25			
26	C25	2	20
27			
28	I21	2	

JACK PIN LG

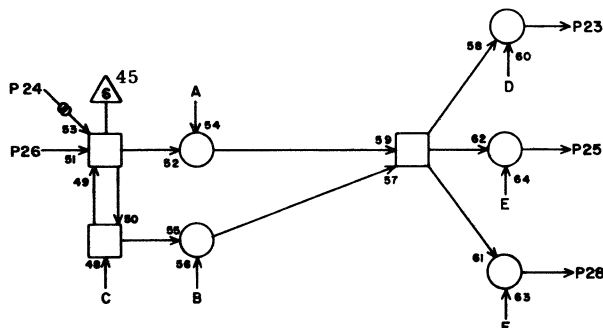
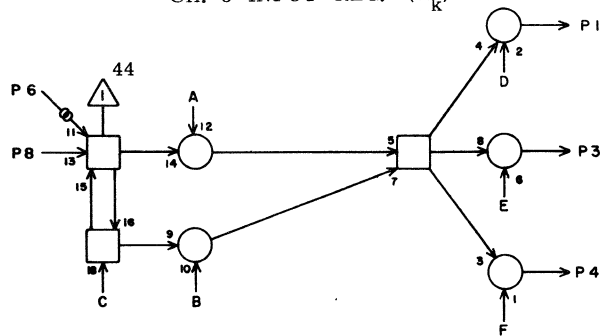
CIRCUIT SPECIFICATION 11827600

63017200 Rev AB

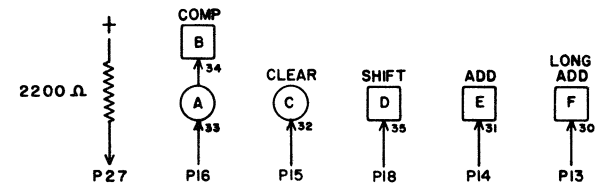
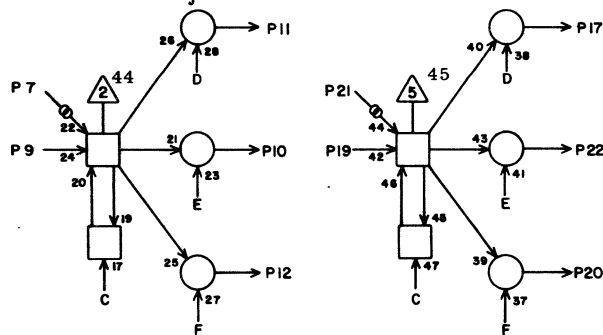
8K41

63017200 Rev. E

CH. 8 INPUT REG. (X_k)



INPUT REG. (X_j)



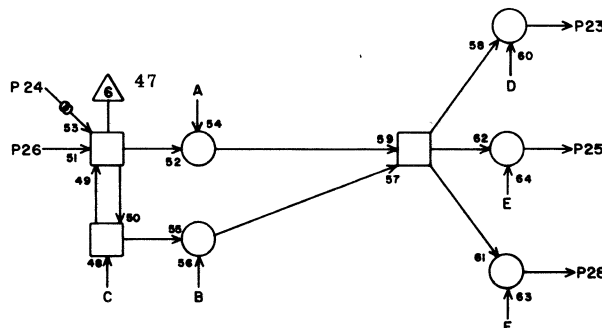
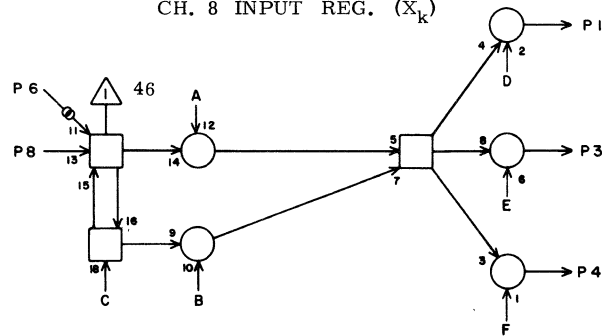
KA 8L 01

1	L13	9	15
2			
3	N24	9	25
4	I28	20	29
5			
6	L01	X	2
7	L01	X	2
8	B35	15	49
9	A35	15	51
10	N24	11	25
11			
12	I28	18	29
13	J24	20	25
14	M20	26	21
15	I16	26	19
16	J21	25	23
17			
18	M19	26	19
19	A36	15	53
20	I29	23	31
21	L01	X	2
22	N25	20	25
23	L13	2	15
24	L01	X	2
25	N25	22	25
26	B36	15	51
27	L41	10	35
28	I29	26	31

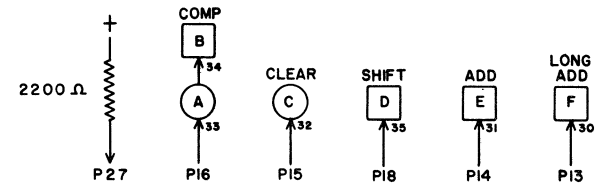
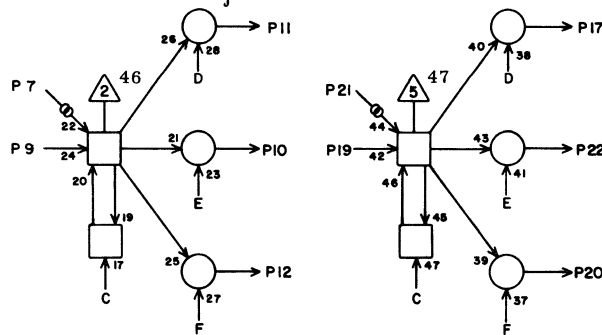
JACK PIN LG

63017200 Rev. E

CH. 8 INPUT REG. (X_k)



INPUT REG. (X_j)



8L02

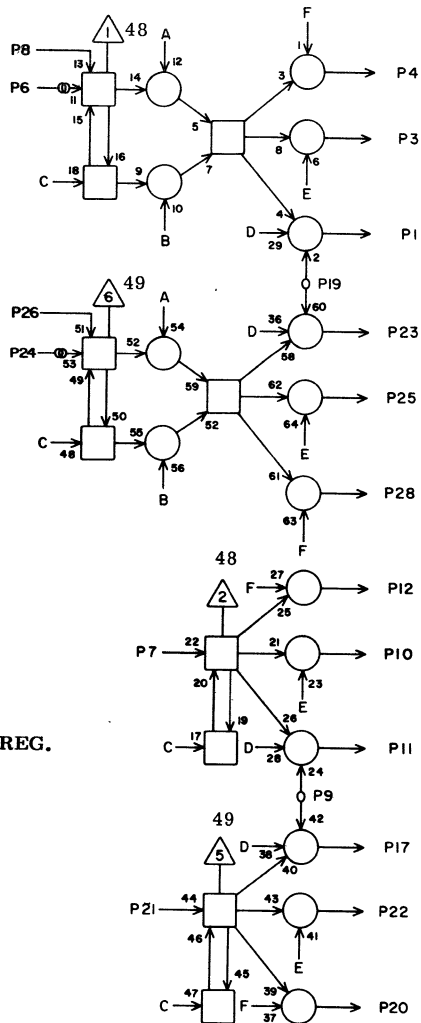
KA 8L 02

1	L13	24	13
2			
3	N25	9	25
4	I29	3	29
5			
6	L02	X	2
7	L02	X	2
8	B37	15	49
9	A37	15	51
10	N25	11	25
11			
12	I29	5	29
13	J24	21	25
14	J17	19	17
15	K18	19	21
16	J21	26	21
17			
18	M19	9	19
19	A38	15	53
20	I29	18	29
21	L02	X	2
22	C18	5	45
23	L13	18	13
24	L02	X	2
25	D18	5	41
26	B38	15	51
27	L41	4	35
28	I29	20	29

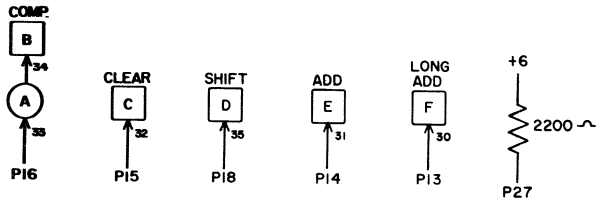
JACK PIN LG

63017200 Rev. E

CH. 8 INPUT REG. (X_k)



INPUT REG. (X_j)



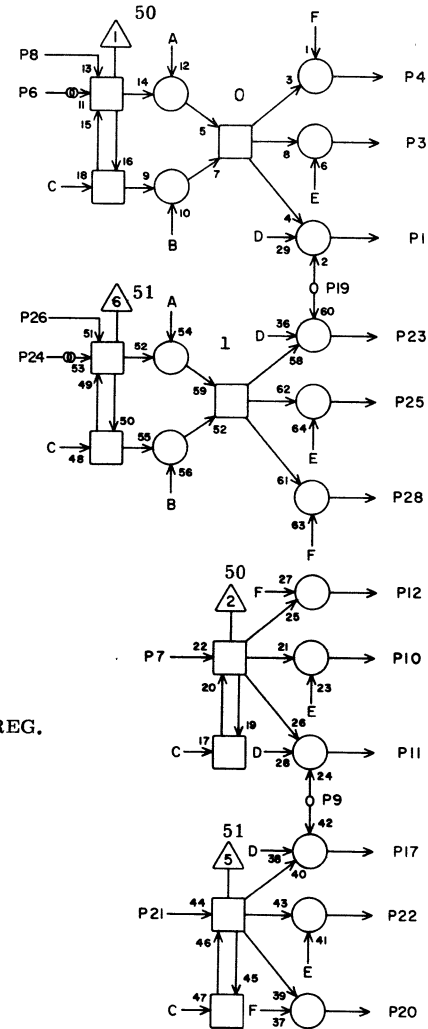
KT 8 L03

1	L14	9	13
2			
3			
4	I30	26	29
5			
6	L03	x	2
7	A39	15	53
8	B39	15	49
9			
10			
11			
12	I30	23	29
13	J24	22	23
14	J17	17	17
15	I16	28	19
16	J21	27	21
17			
18	M19	10	19
19	E13	2	31
20	I30	5	31
21	A40	15	53
22			
23	L14	2	13
24	L03	x	2
25			
26	B40	15	51
27	L41	17	35
28	I30	3	31

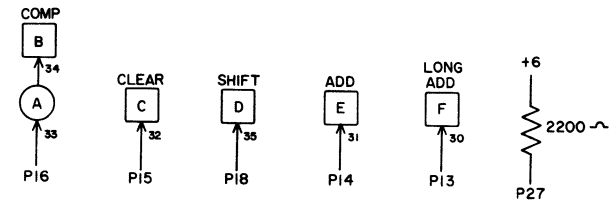
JACK PIN LG

63017200 Rev. E.

CH. 8 INPUT REG. (X_k)



INPUT REG. (X_j)



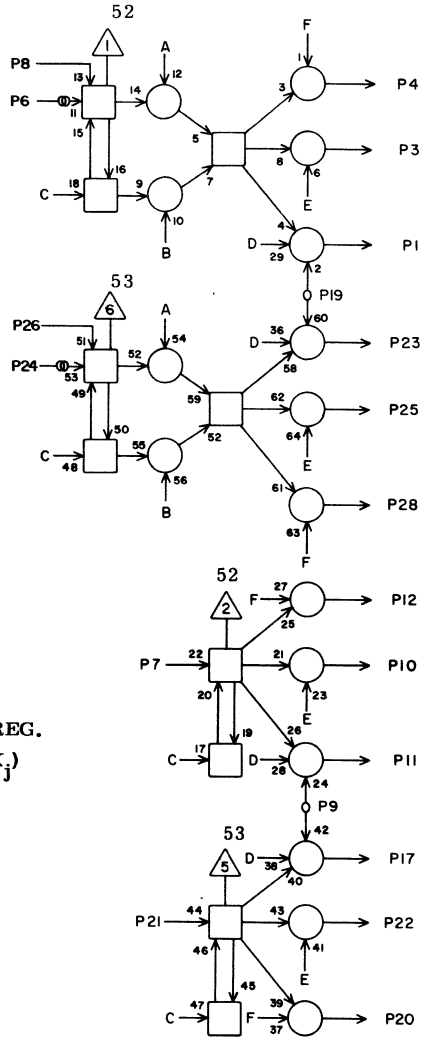
KT 8 L04

1	L14	25	13
2			
3			
4	I30	20	27
5			
6	L04	x	2
7	A41	15	53
8	B41	15	51
9			
10			
11			
12	I30	18	29
13	J24	23	23
14	J17	25	17
15	K18	25	17
16	J21	28	19
17			
18	M19	11	17
19	E13	4	31
20	I31	23	29
21	A42	15	53
22			
23	L14	20	13
24	L04	x	2
25			
26	B42	15	51
27			
28	I31	26	29

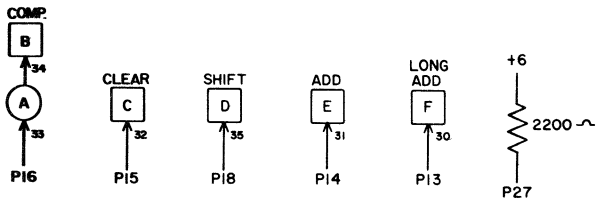
JACK PIN LG

63017200 Rev. E.

CH. 8 INPUT REG. (X_k)



INPUT REG.
(X_j)

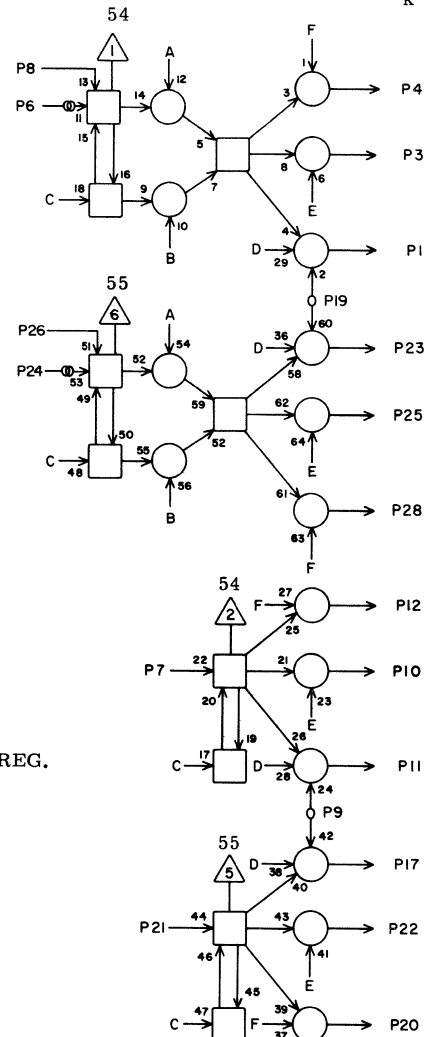


KT 8L05

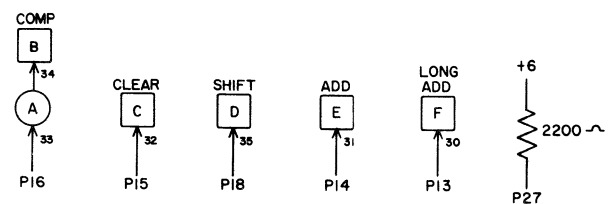
1	L15	9	13
2			
3			
4	I31	3	29
5			
6	L05	x	2
7	C29	15	41
8	D29	15	39
9			
10			
11			
12	I31	5	29
13	J24	24	21
14	J17	23	17
15	K18	23	15
16	J22	1	21
17			
18	M19	13	17
19	E13	7	31
20	I31	18	29
21	C30	15	43
22			
23	L15	2	13
24	L05	x	2
25			
26	D30	15	41
27			
28	I31	20	29

63017200 Rev. E

CH. 8 INPUT REG. (X_k)



INPUT REG.
(X_j)



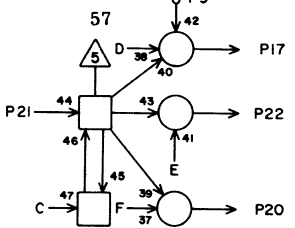
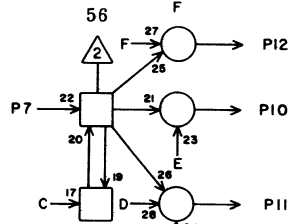
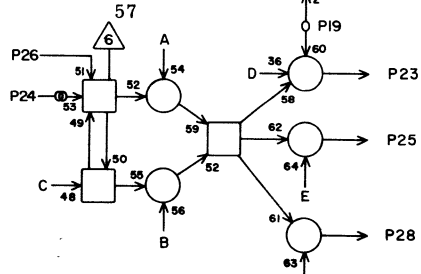
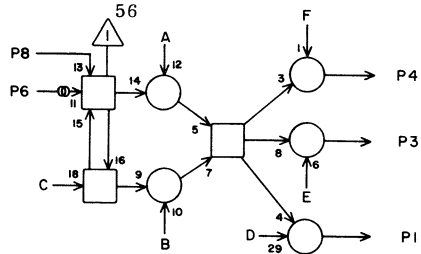
8L06

KT 8L06

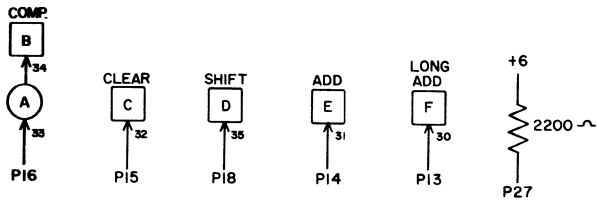
1	L15	25	11
2			
3			
4	I32	26	27
5			
6	L06	x	2
7	C31	15	41
8	D31	15	39
9			
10			
11			
12	I32	23	29
13	J24	25	21
14	J17	26	15
15	K18	26	15
16	J22	2	21
17			
18	M19	15	17
19	E13	23	31
20	I32	5	29
21	C32	15	43
22			
23	L15	20	11
24	L06	x	2
25			
26	D32	15	41
27			
28	I32	3	29

63017200 Rev. E

CH. 8 INPUT REG. (X_k).



INPUT REG. (X_j)



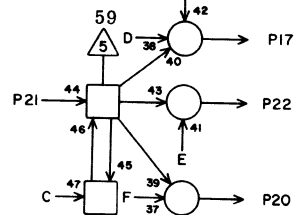
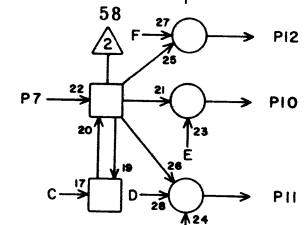
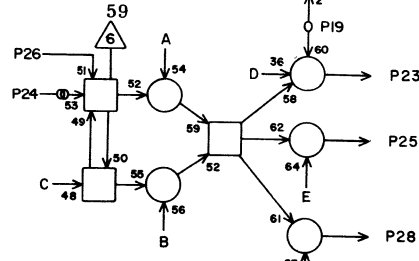
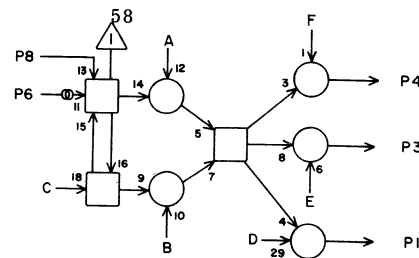
KT 8 L07

1	L16	9	13
2			
3			
4	I32	20	27
5			
6	L07	x	2
7	C33	15	43
8	D33	15	39
9			
10			
11			
12	I32	18	27
13	J24	9	21
14	J17	24	15
15	K18	24	13
16	J22	3	21
17			
18	M19	17	15
19	E13	24	31
20	I33	23	29
21	C34	15	43
22			
23	L16	2	11
24	L07	x	2
25			
26	D34	15	41
27			
28	I33	26	29

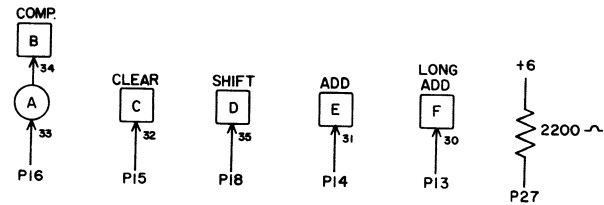
JACK PIN LG

63017200 Rev. E

CH. 8 INPUT REG. (X_k)



INPUT REG. (X_j)



KT 8 L08

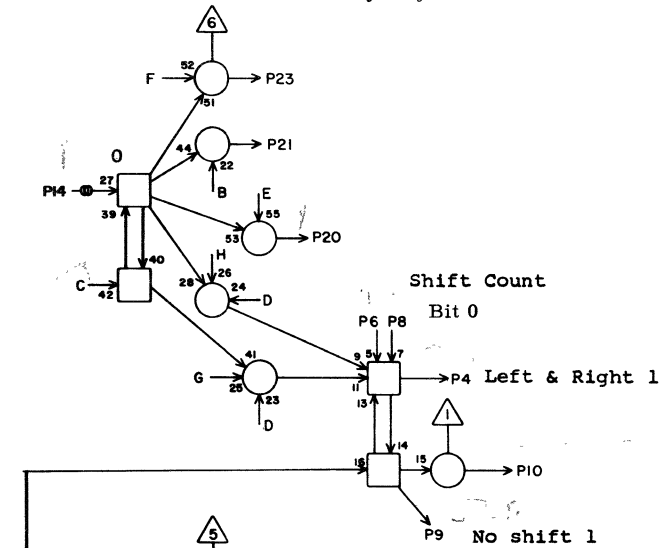
1	L16	25	11
2			
3			
4	I33	3	29
5			
6	L08	x	2
7	C35	15	43
8	D35	15	39
9			
10			
11			
12	I33	5	29
13	J24	10	21
14	J17	22	15
15	K18	22	13
16	J22	4	17
17			
18	M19	18	15
19	E13	25	31
20	I33	18	29
21	C36	15	43
22	L30	25	23
23	L16	20	11
24	L08	x	2
25	D19	5	37
26	G34	28	31
27			
28	I33	20	29

JACK PIN LG

63017200 Rev. E

CH. 8 INPUT REG. ($X_j + B_j$)

CS 8L 09



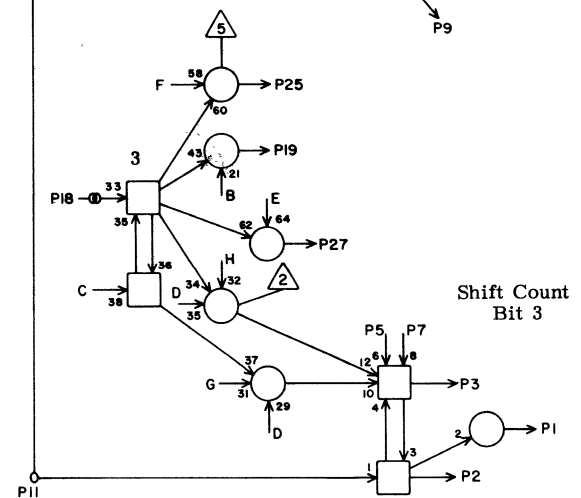
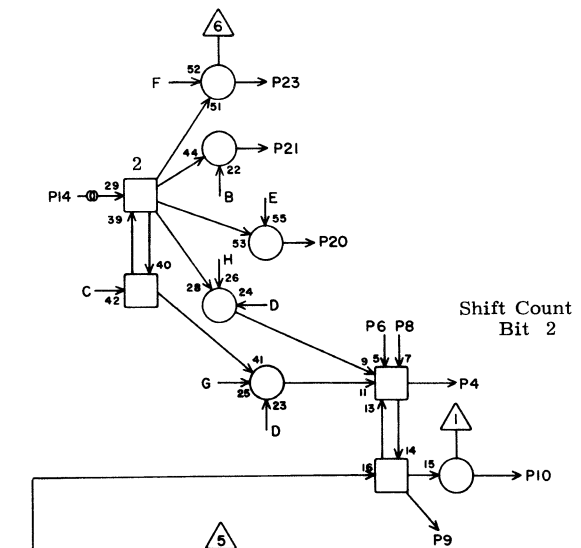
1	G19	5	25
2	N14	12	23
3	I18	6	17
4	I18	1	19
5	H02	5	21
6	H02	3	21
7	G33	9	31
8	G33	13	31
9	N11	12	23
10	G19	9	25
11	I23	16	19
12	K18	20	13
13	I17	19	17
14	W28	90	
15	H20	22	21
16			
17			
18	W28	91	
19	L14	4	9
20	K21	11	17
21	L14	11	9
22	H08	26	19
23	H27	23	25
24			
25	H27	5	27
26	J24	11	21
27	K22	20	15
28	M09	1	3

JACK PIN LG

63017200 Rev. E

CH. 8 INPUT REG. ($X_j + B_j$)

CS 8L10



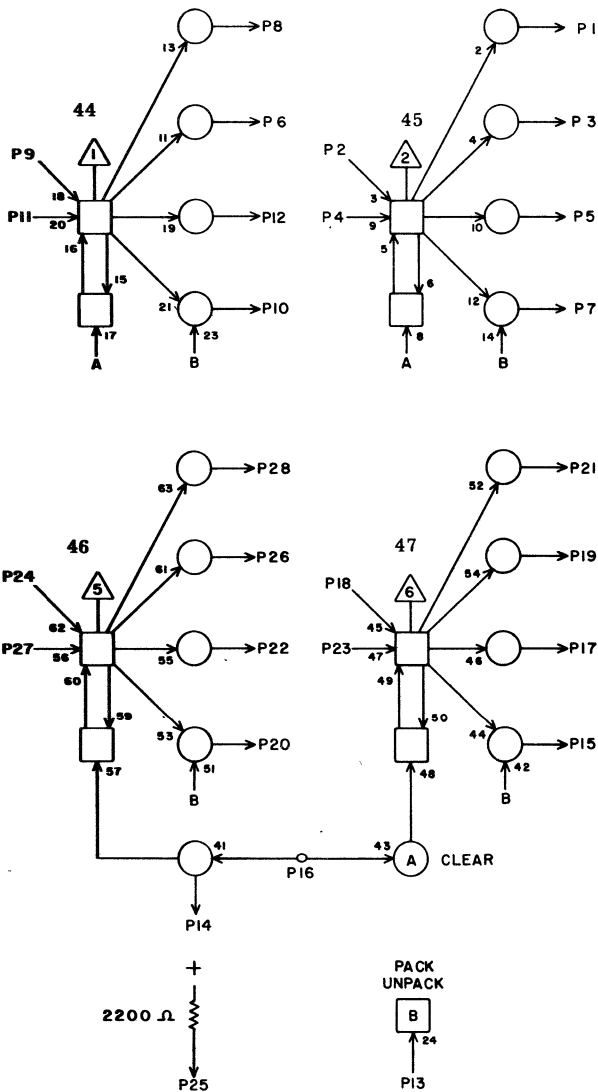
1	G20	9	25
2	M14	12	9
3	I18	26	17
4	I18	3	17
5	H02	21	19
6	H02	10	19
7	G31	14	29
8	G33	18	29
9	M11	12	19
10	G19	24	23
11	I23	18	19
12	K18	18	11
13	I17	18	17
14	W28	92	
15	H20	21	21
16			
17			
18	W28	93	
19	L14	19	7
20	K22	11	15
21	L14	27	7
22	H08	25	19
23	H27	18	23
24			
25	H28	23	25
26	J24	13	19
27	K23	20	15
28	M09	2	15

JACK PIN LG

63017200 Rev. E

8L10

SHIFT FEEDER REG. ($X_k + X_i$)



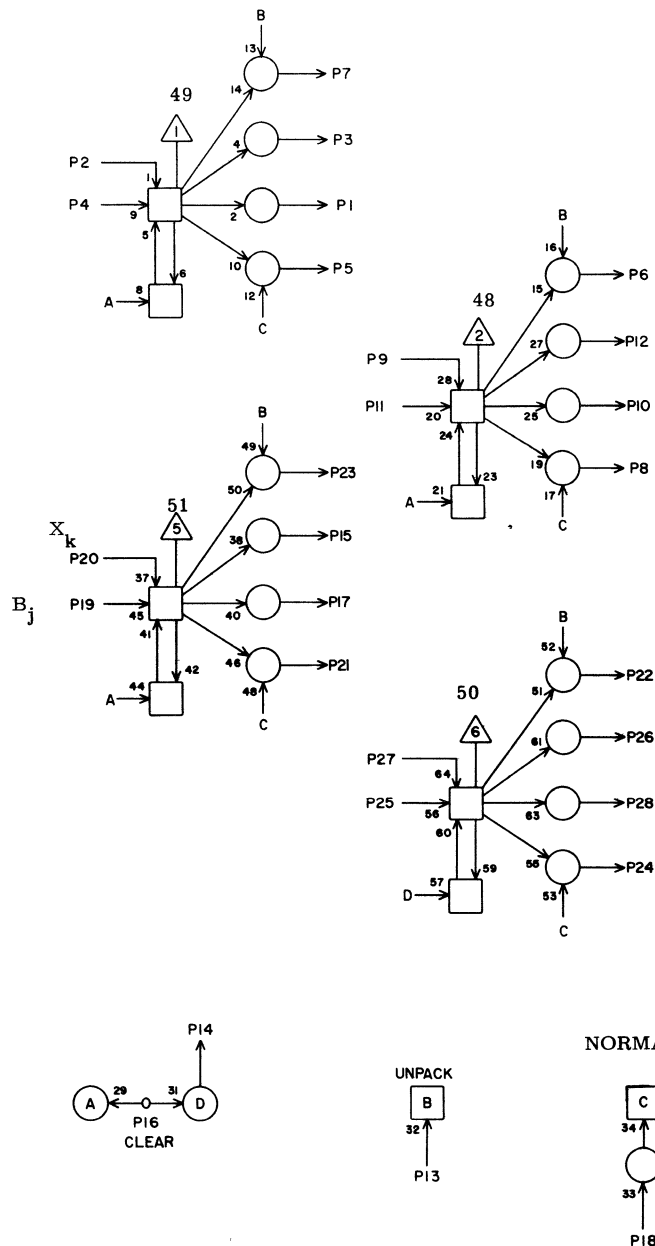
KB 8 L13

1	R11	19	27
2	L01	23	15
3	G25	28	23
4			
5			
6	G25	27	23
7	I01	10	19
8	R10	23	27
9	L01	1	15
10	I15	27	13
11			
12			
13	J17	2	13
14	K01	18	15
15	I03	10	19
16	M18	13	9
17	032	14	23
18	L02	23	13
19	G25	25	25
20	I02	10	19
21	R11	23	27
22			
23			
24	L02	1	13
25			
26	G25	21	25
27			
28	R11	5	25

JACK PIN LG

63017200 Rev. E

SHIFT FEEDER REG. ($X_k + X_i + B_j$)



K0 8L14

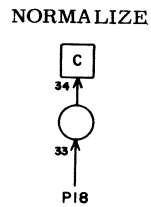
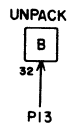
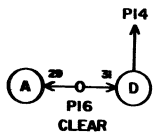
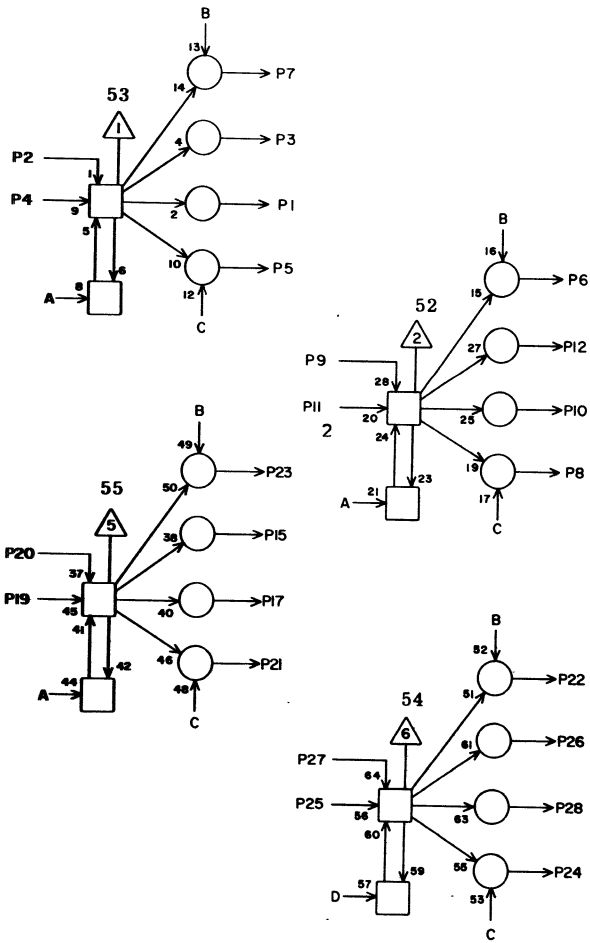
1	I05	3	27
2	I03	23	13
3	G19	7	23
4	L09	19	9
5	R12	5	27
6	H03	3	23
7	H03	6	23
8	R12	19	27
9	L03	1	13
10	G19	20	23
11	L09	21	9
12	I04	3	19
13	K17	15	9
14	K02	18	15
15	I07	3	17
16	M18	15	9
17	G20	20	23
18	E14	25	29
19	L10	19	7
20	L04	23	13
21	R13	19	25
22	H03	23	21
23	H03	26	31
24	R12	23	25
25	L04	1	13
26	G19	22	23
27	L10	21	7
28	I06	3	19

JACK PIN LG

63017200 Rev. E

8L14

SHIFT FEEDER REG. ($X_k + X_i + B_j$)

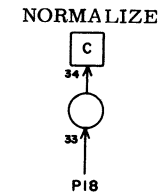
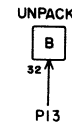
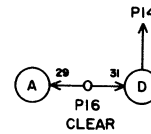
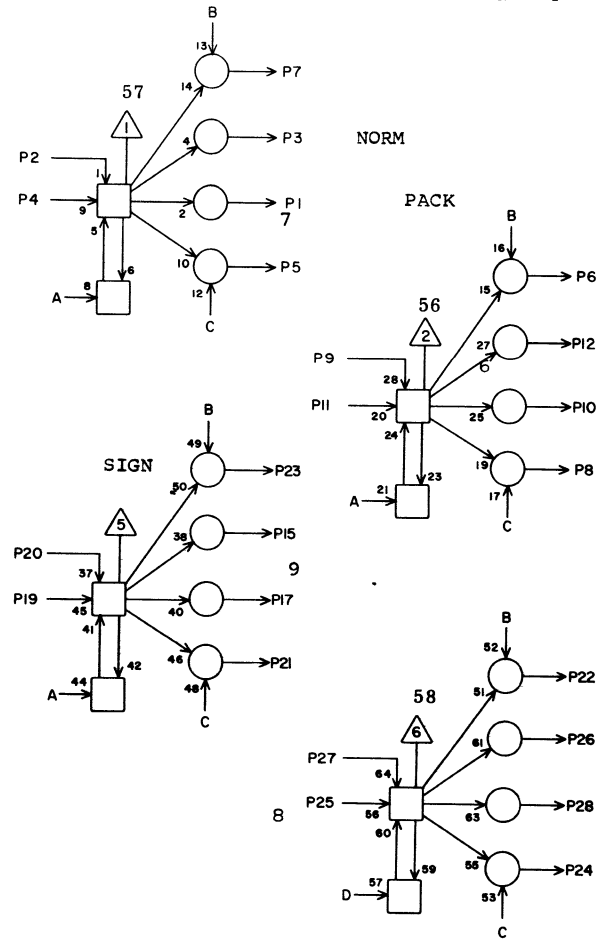


KO 8L15

1	I09	3	17
2	L05	23	13
3	G20	22	21
4	L11	19	7
5	R13	23	27
6	H04	3	23
7	H04	6	23
8	R13	5	25
9	L05	1	13
10	G20	7	23
11	L11	21	7
12	I08	3	17
13	K17	17	7
14	K03	18	15
15	I11	3	17
16	M18	17	9
17	H19	4	21
18	E14	27	29
19	J04	17	17
20	L06	23	11
21	R14	5	25
22	H04	23	21
23	H04	26	23
24	R14	19	25
25	L06	1	11
26	H19	6	21
27	J04	11	17
28	I10	3	17

63017200 Rev. E

SHIFT FEEDER REG. ($X_k + X_i + B_j$)

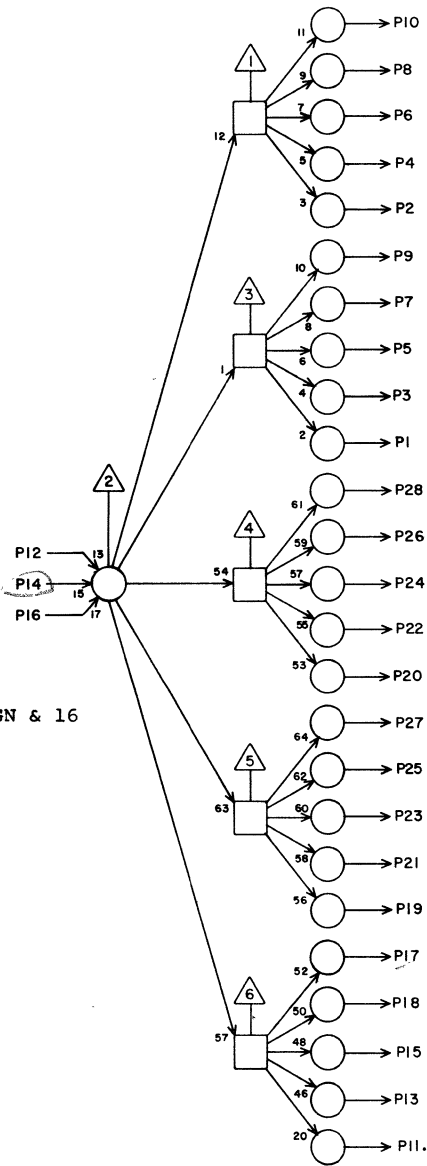


KO 8L16

1	I13	3	15
2	L07	23	11
3	J01	23	19
4	J05	17	15
5	R15	19	27
6	H05	3	23
7	H05	6	23
8	R14	23	27
9	L07	1	13
10	J01	24	19
11	J05	11	17
12	I12	3	17
13	K17	19	7
14	K04	18	15
15			
16	M18	18	7
17			
18	E14	24	29
19			
20	L08	23	11
21	R15	23	27
22	H23	25	19
23			
24	R15	5	25
25	L08	1	11
26	H19	2	21
27	J06	11	17
28	G17	27	25

63017200 Rev. E

RIGHT SHIFT SIGN & 16



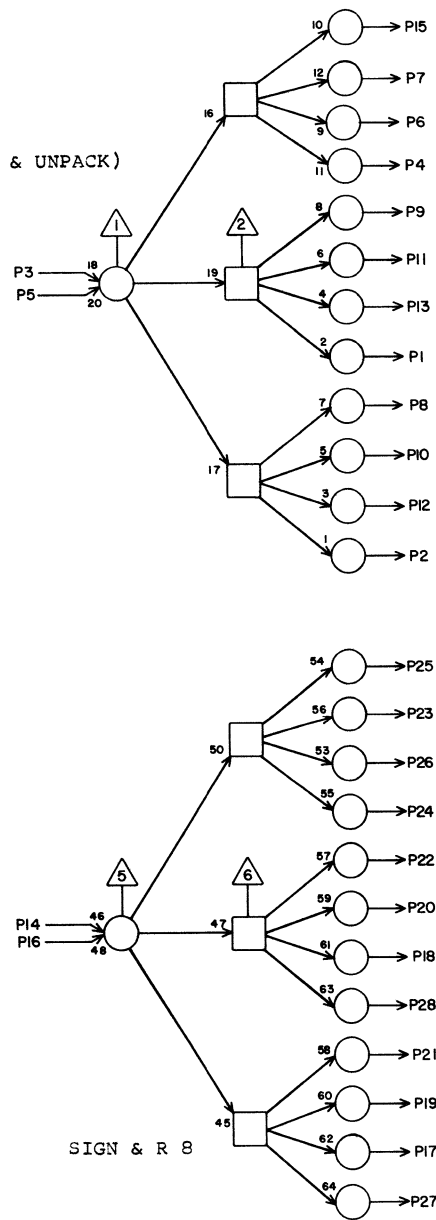
CA 8 L17

1	001	1	21
2	002	1	21
3	003	1	21
4	004	1	19
5	005	1	19
6	006	1	19
7	007	1	17
8	008	1	17
9	009	1	17
10	010	1	15
11	011	1	15
12	I25	19	17
13	012	1	15
14	B14	22	45
15	013	1	15
16	L17	x	2
17	014	1	15
18	015	1	15
19	P01	1	23
20			
21			
22			
23			
24			
25			
26			
27			
28			

JACK PIN LG

63017200 Rev. E

(SIGN X RT 32 & UNPACK)



SIGN & R 8

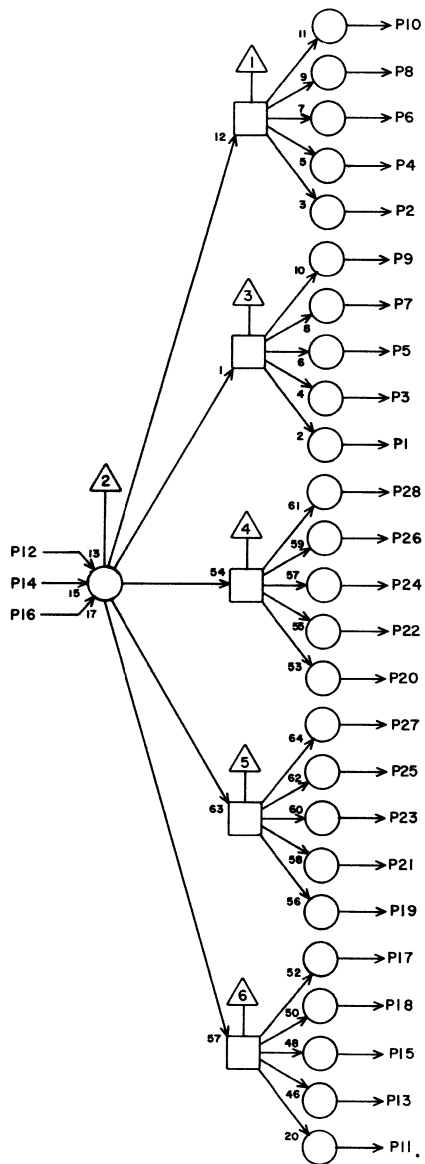
8L18

TC 8 L18

1	I11	10	17
2	I15	10	15
3	B14	18	45
4	I07	10	17
5	I24	18	15
6	I06	10	19
7	I05	10	19
8	I12	10	17
9	I08	10	19
10	I13	10	15
11	I09	10	17
12	I14	10	15
13	I10	10	17
14	B14	19	45
15	I04	10	21
16	I25	16	17
17			
18	O11	21	17
19			
20	O10	21	17
21			
22	O09	21	17
23	O06	21	19
24	O08	21	17
25	O05	21	19
26	O07	21	17
27			
28	O12	21	15

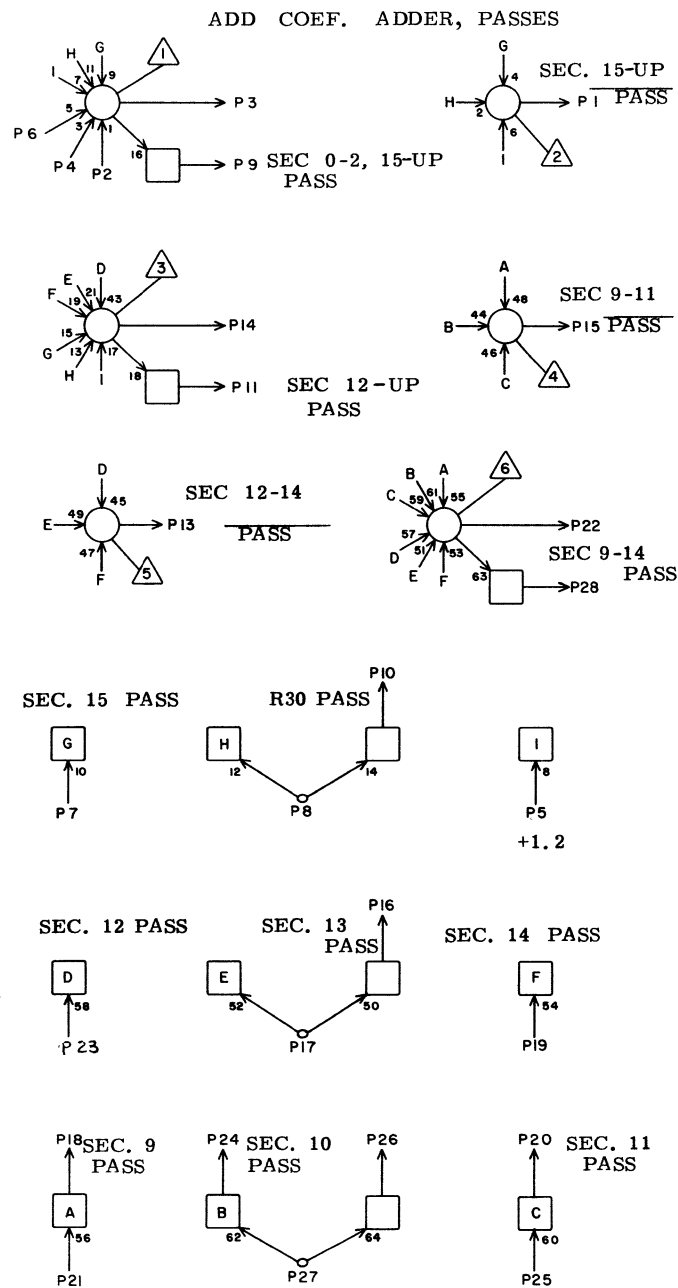
JACK PIN LG

63017200 Rev. E



CA		8L 19	
1			
2			
3			
4			
5			
6	J24	7	13
7			
8			
9	I10	20	17
10	I10	25	17
11	I11	15	17
12			
13	I11	20	17
14	I25	13	17
15	I12	15	17
16	B14	26	45
17	I12	25	17
18	I13	15	17
19	I13	20	17
20	I13	25	17
21	I14	15	17
22	I14	20	17
23	I14	25	17
24	I15	15	17
25	I15	20	17
26	I15	25	17
27	I11	25	17
28	I12	20	17
	JACK	PIN	LG

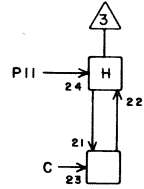
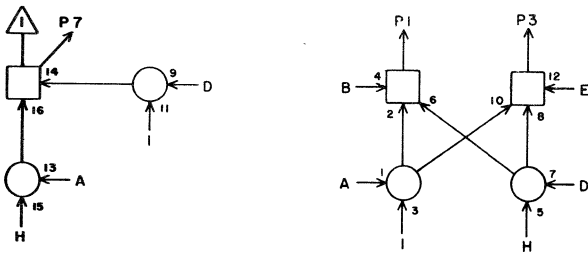
63017200 Rev. E



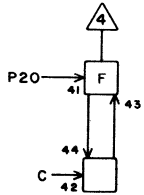
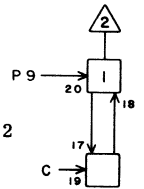
MI		8L20	
1	P16	21	21
2	O16	20	17
3	Q16	27	25
4	O16	24	17
5	L22	5	5
6	O16	18	17
7	O35	17	23
8	R30	24	29
9	R16	19	27
10	D14	28	31
11	Q16	6	23
12			
13	R16	5	27
14	P16	20	21
15	R16	21	27
16	R16	18	27
17	O34	17	21
18	O16	6	15
19	O35	14	21
20	O16	2	15
21	N35	17	19
22	P16	27	21
23	O34	14	19
24	Q16	3	21
25	O33	17	19
26	O16	4	15
27	O33	14	19
28	Q16	19	23
	JACK	PIN	LG

63017200 Rev. E

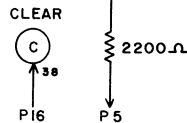
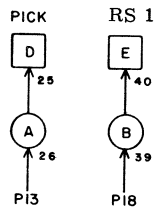
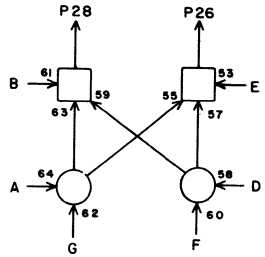
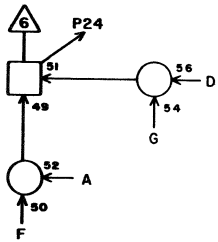
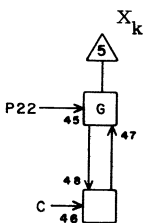
ADD FEEDER REG.



BIT 12



BIT 11



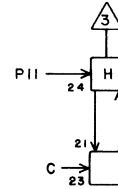
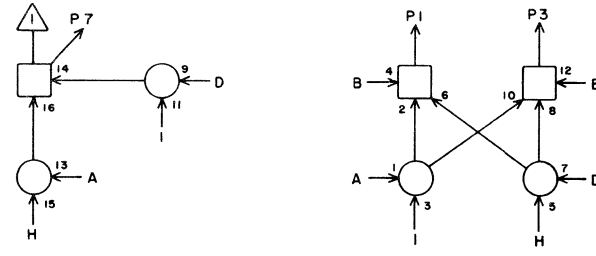
ND

8L21

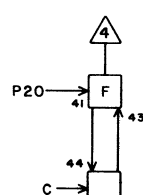
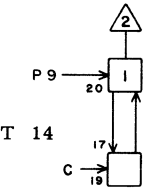
1	M34	21	17
2			
3	M33	11	15
4			
5			
6			
7	Q23	28	25
8			
9	J07	3	19
10			
11	J07	10	19
12			
13	L34	7	15
14			
15			
16	L35	7	17
17			
18	L33	7	15
19			
20	J06	22	19
21			
22	J06	25	19
23			
24	Q23	18	23
25			
26	M34	11	15
27			
28	M33	19	15
	JACK	PIN	LG

63017200 Rev. E

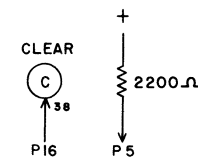
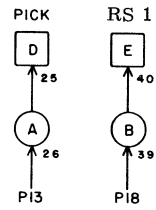
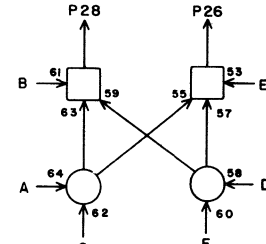
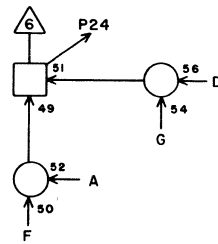
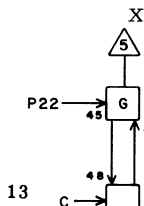
ADD FEEDER REG.



BIT 14



BIT 13



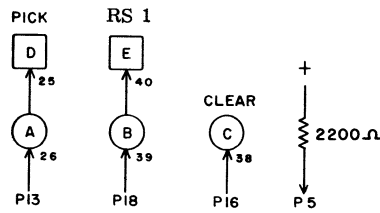
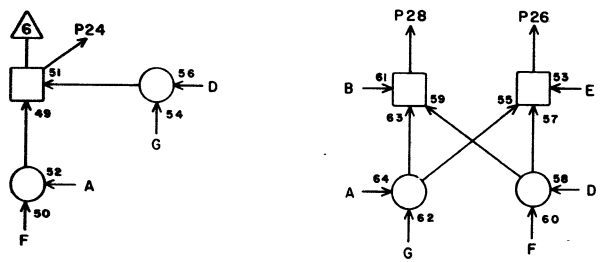
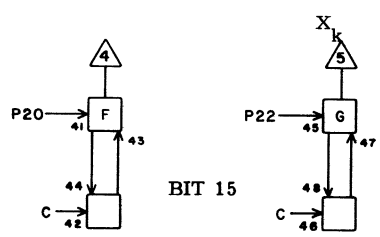
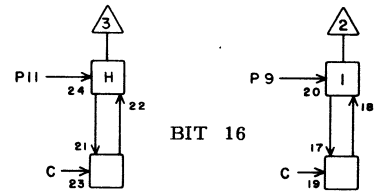
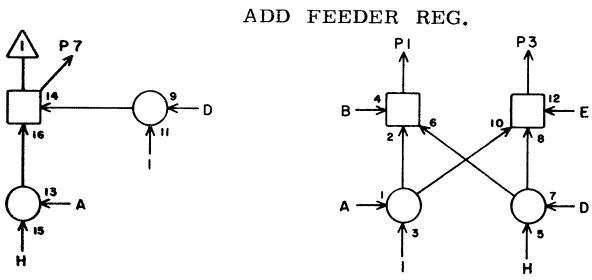
ND

8L22

1	M34	27	15
2			
3	M32	23	15
4			
5	L20	5	5
6			
7	Q24	28	23
8			
9	J08	3	19
10			
11	J08	10	19
12			
13	L34	8	15
14			
15			
16	L35	8	15
17			
18	L33	8	15
19			
20	J07	22	19
21			
22	J07	25	19
23			
24	Q24	18	23
25			
26	M34	23	15
27			
28	M33	21	15
	JACK	PIN	LG

63017200 Rev. E

8L22

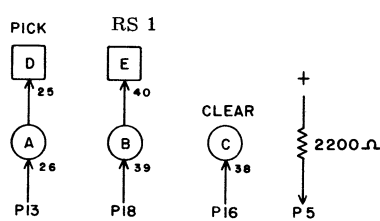
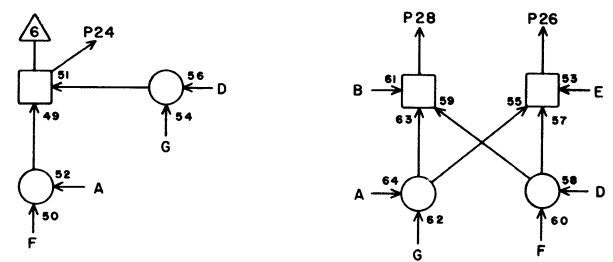
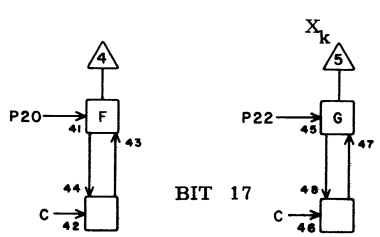
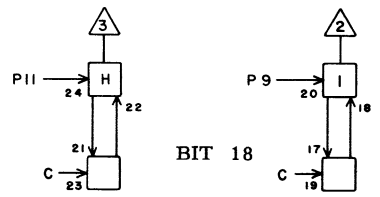
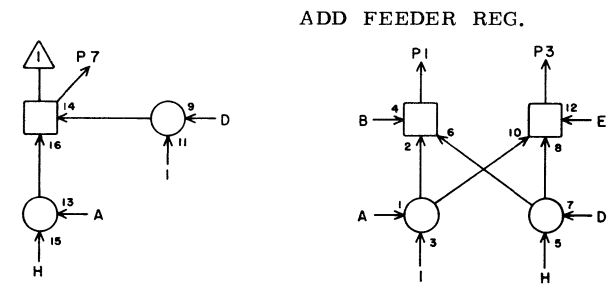


ND 8 L23

1	M36	7	17
2			
3	M33	25	13
4			
5			
6			
7	Q25	28	23
8			
9	J09	3	19
10			
11	J09	10	19
12			
13	L34	9	15
14			
15			
16	L35	9	15
17			
18	L33	9	13
19			
20	J08	22	19
21			
22	J08	25	19
23			
24	Q25	18	23
25			
26	M34	25	15
27			
28	M33	27	15

JACK PIN LG

63017200 Rev. E



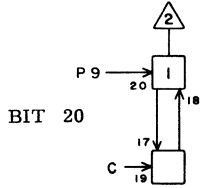
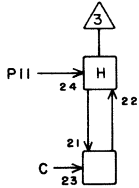
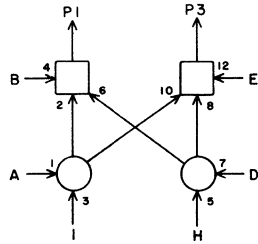
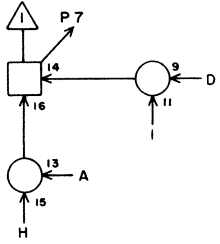
ND BL24

1	M36	5	15
2			
3	M35	1	15
4			
5			
6			
7	Q26	28	23
8			
9	J10	3	19
10			
11	J10	10	19
12			
13	L34	10	13
14			
15			
16	L35	10	13
17			
18	L33	10	13
19			
20	I17	21	15
21			
22	J09	25	19
23			
24	Q26	18	23
25			
26	M36	1	15
27			
28	M35	7	15

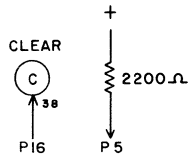
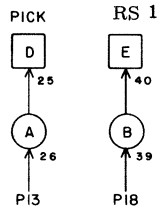
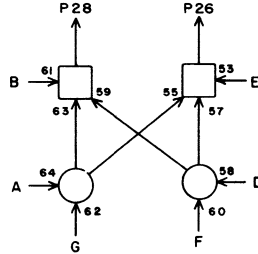
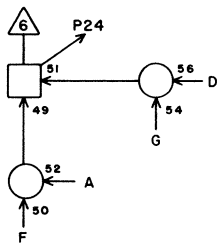
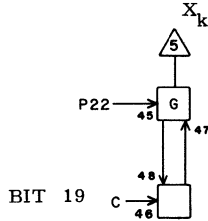
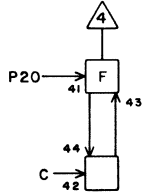
JACK PIN LG

63017200 Rev. E

ADD FEEDER REG.



X_j



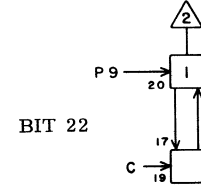
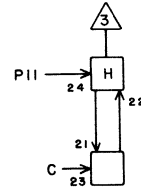
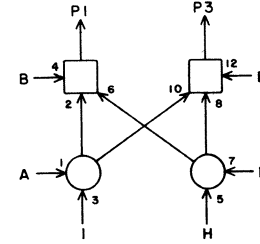
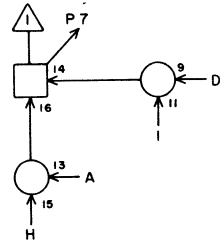
ND 8 L25

1	M36	19	15
2			
3	M35	9	13
4			
5			
6			
7	Q27	28	23
8			
9	J11	3	19
10			
11	J11	10	19
12			
13	L34	11	13
14			
15			
16	L35	11	13
17			
18	L33	11	11
19			
20	J10	22	19
21			
22	J10	25	19
23			
24	Q27	18	23
25			
26	M36	9	15
27			
28	M35	5	13

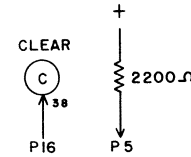
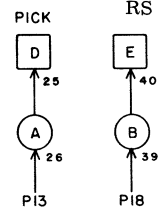
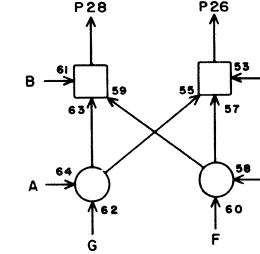
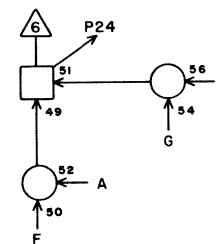
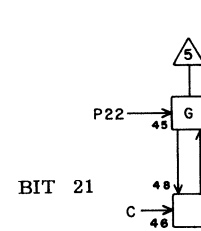
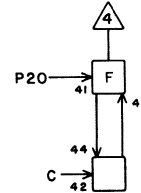
JACK PIN LG

63017200 Rev. E

ADD FEEDER REG.



X_j



ND 8 L26

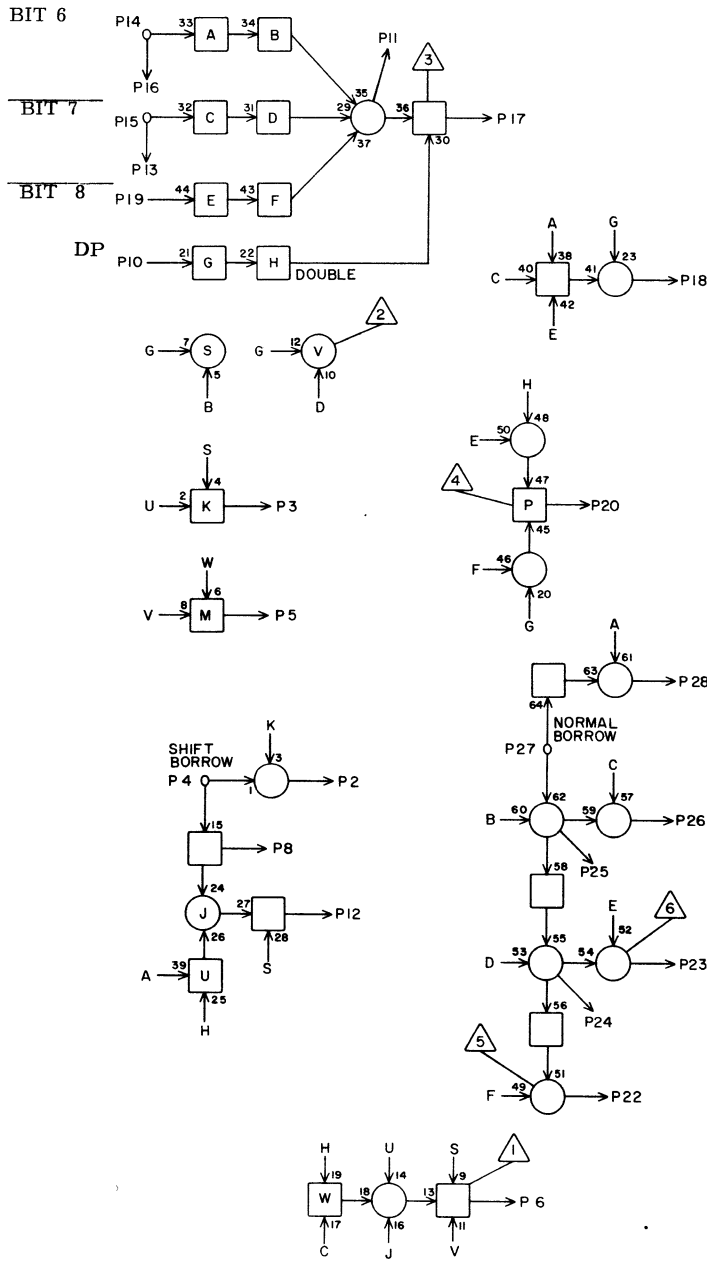
1	M36	21	13
2			
3	M35	11	13
4			
5			
6			
7	Q28	28	23
8			
9	K01	3	25
10			
11	K01	10	25
12			
13	L34	13	11
14			
15			
16	L35	13	13
17			
18	L33	13	11
19			
20	J11	22	19
21			
22	J11	25	19
23			
24	Q28	18	23
25			
26	M36	11	13
27			
28	M35	19	13

JACK PIN LG

63017200 Rev. E

8L26

ADD EXPONENT ADDER

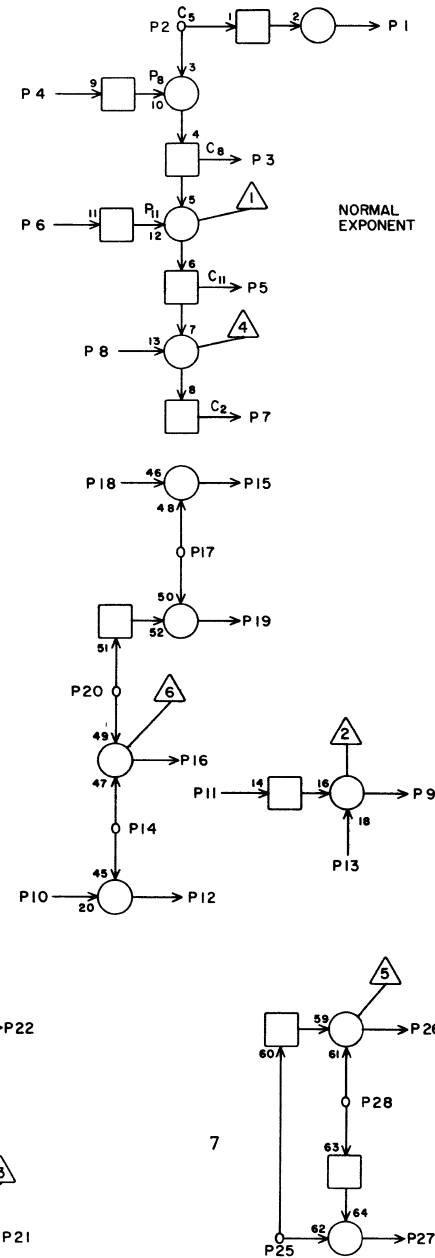


NR 8L27

1			
2	K28	2	7
3	L28	11	5
4	L29	19	7
5	L28	25	5
6	L28	23	5
7			
8	L28	13	5
9			
10	D21	8	37
11	L28	4	5
12	L28	28	5
13			
14	K33	19	11
15	K33	15	11
16			
17	L29	2	7
18	L29	24	7
19	K33	12	11
20	L28	24	5
21			
22	K28	19	9
23	K28	17	9
24	K28	9	9
25	K28	3	11
26	K28	6	11
27	L28	1	5
28	K28	5	11

JACK PIN LG

ADD EXPONENT ADDER

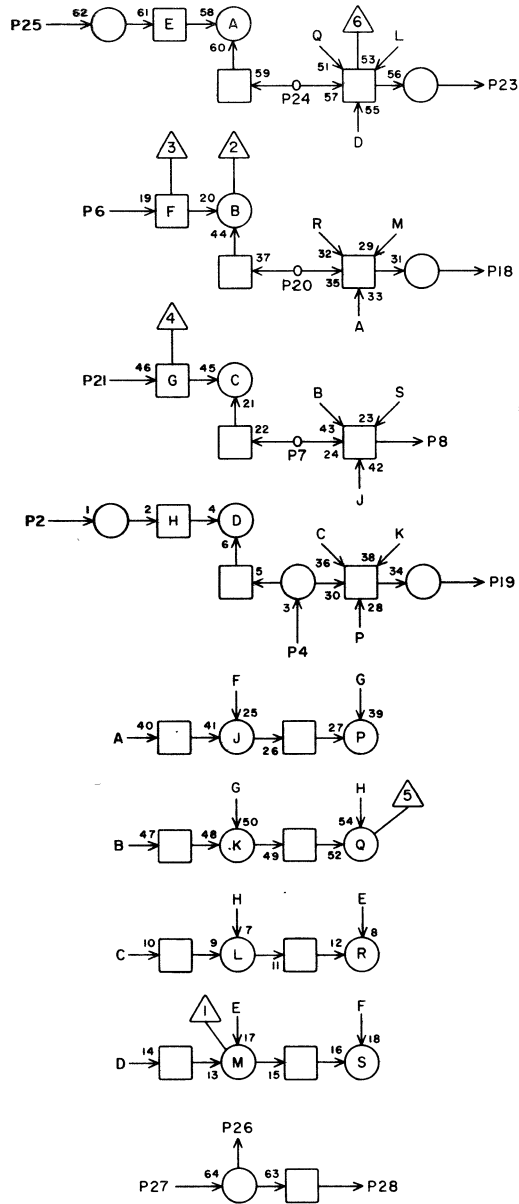


NS 8L28

1	L27	27	5
2	L37	22	13
3	M27	27	11
4	L27	11	5
5	L38	19	13
6	M27	11	9
7	L37	8	11
8	L38	22	13
9	K28	4	9
10	L37	10	13
11	L27	3	5
12	K28	28	7
13	L27	8	5
14	L37	25	13
15	K28	26	7
16	K28	25	7
17	L37	26	11
18	L37	9	11
19	K28	27	7
20	L37	4	13
21	K28	18	9
22	K28	16	9
23	L27	6	5
24	L27	20	5
25	L27	5	5
26	K28	12	9
27	K28	10	9
28	L27	12	5

JACK PIN LG

ADD EXPONENT ADDER
(SHIFTED EXPONENT)



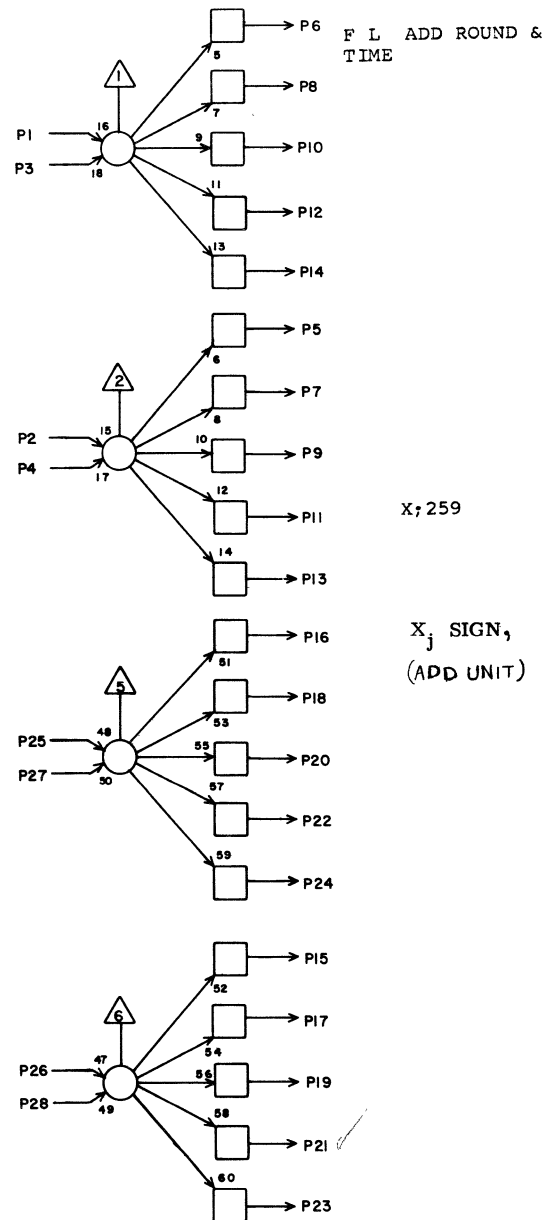
NT 8 L29

1			
2	L27	17	7
3			
4	L37	20	11
5			
6	L38	24	13
7	L38	23	15
8	L37	7	11
9			
10			
11			
12			
13			
14			
15			
16			
17			
18	L38	2	13
19	L27	4	7
20	M27	18	9
21	L37	12	11
22			
23	M27	4	7
24	L27	18	7
25	M27	17	9
26	B26	20	39
27	F25	15	27
28			

JACK PIN LG

63017200 Rev. AB

T D 8 L30



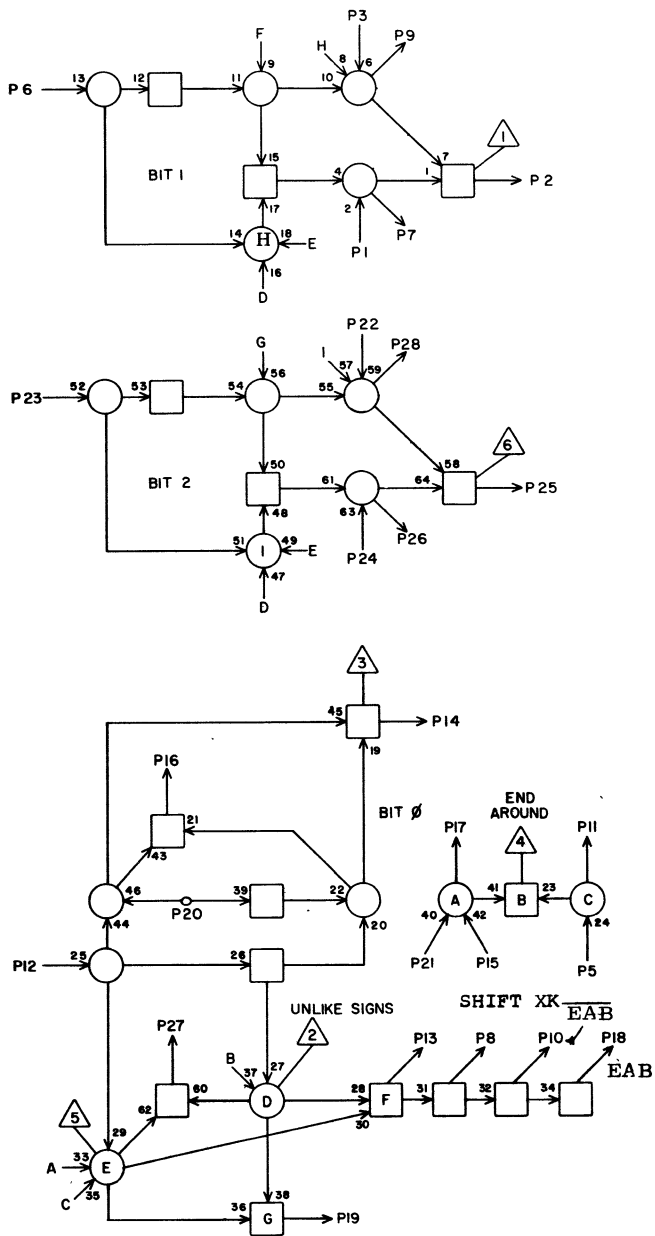
8L30

1	N27	12	13
2	K29	22	5
3	C25	6	37
4			
5	M28	5	7
6	K27	13	9
7	R21	19	27
8			
9			
10			
11			
12			
13			
14			
15			
16	K39	6	13
17			
18	N26	11	11
19			
20	E23	14	33
21	O21	21	21
22	E23	16	35
23	M28	2	7
24	E24	16	35
25	L08	22	23
26	K29	28	5
27			
28			

JACK PIN LG

63017200 Rev. AC

ADD EXPONENT $X_j - X_k$

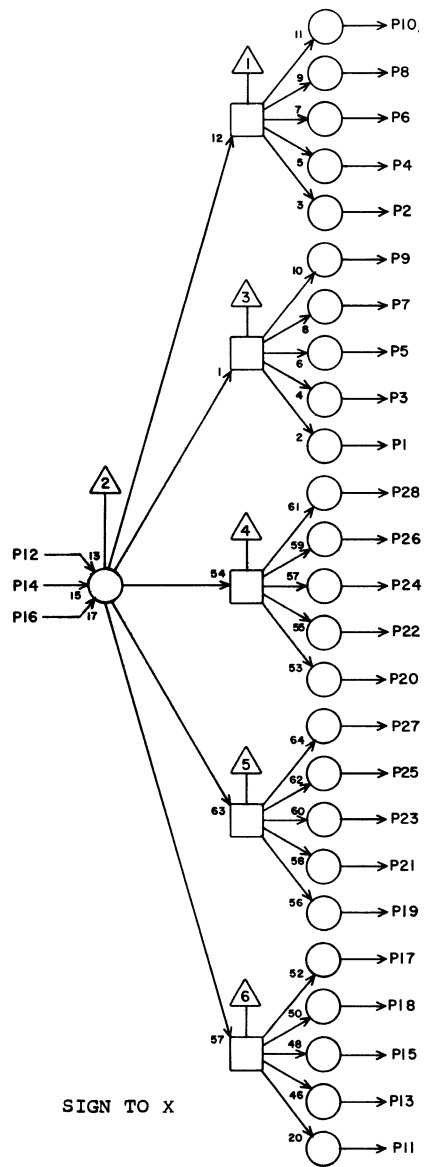


NC 8L31

1	K35	1	9
2	K39	5	11
3	K35	2	9
4			
5	L41	12	13
6	K35	8	9
7	L36	3	7
8	K39	13	11
9	L36	5	7
10	K39	11	11
11	K35	25	9
12	K38	8	11
13	L34	12	5
14	G18	27	25
15	L41	19	13
16	I25	25	17
17	K35	21	9
18	K31	13	7
19	K40	15	13
20	K35	6	9
21	L41	2	13
22	K35	28	9
23	K35	4	11
24	K35	12	11
25	K39	17	11
26	L36	14	9
27	K41	7	13
28	L36	16	9

JACK PIN LG

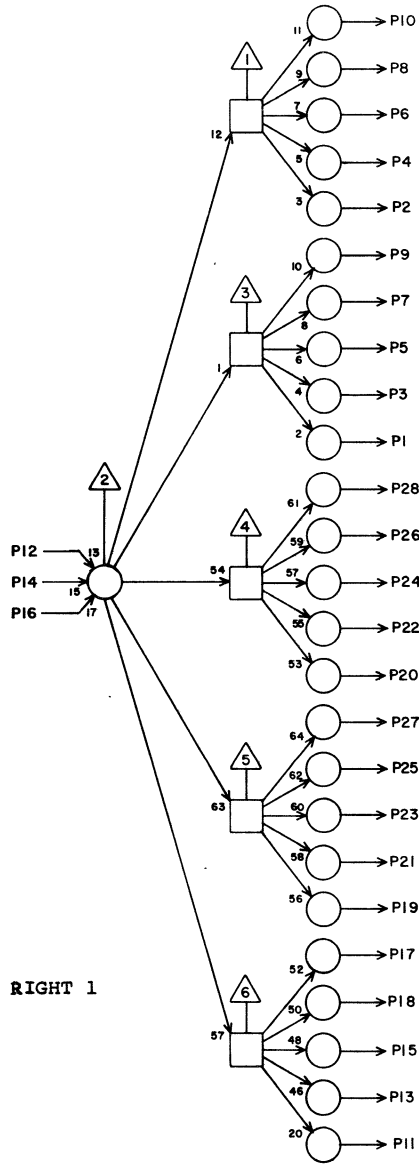
CA 8L32



1	M29	18	9
2	M29	28	11
3	N28	18	15
4	N28	28	15
5	N29	18	13
6	N29	28	13
7	N30	18	13
8	N30	28	13
9	O20	18	21
10	O20	28	21
11	O21	18	19
12	R30	26	27
13	O21	28	19
14	L32	x	2
15	O22	18	21
16	L32	x	2
17	O22	28	19
18	O23	18	19
19	O23	28	19
20	O24	18	17
21	O24	28	17
22	O25	18	17
23	O25	28	17
24	O26	18	15
25	O26	28	17
26	O27	18	15
27	O27	28	17
28	J02	23	20

JACK PIN LG

ADD COEF. SHIFT CONTROL



ADD RIGHT 1

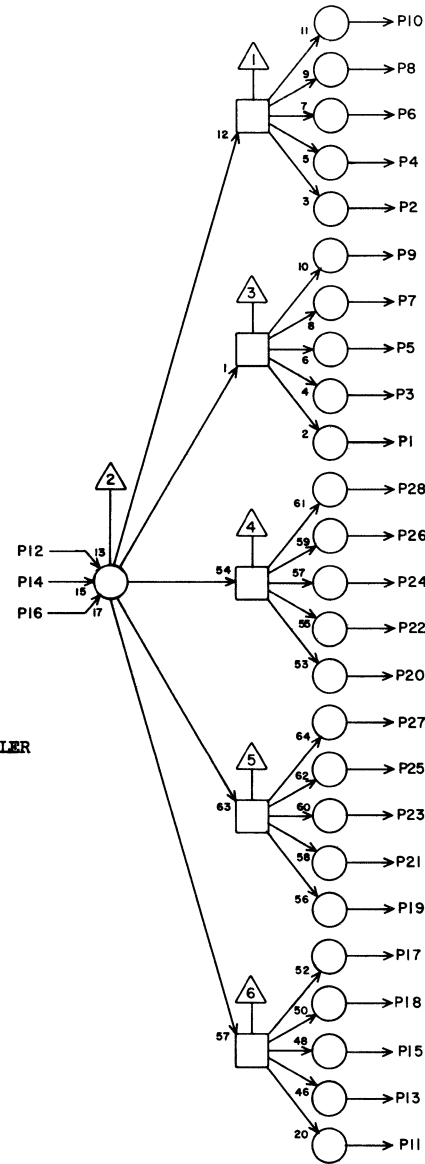
CA 8 L33

1	K21	18	15
2	K22	18	13
3	K23	18	13
4	K24	18	13
5	K25	18	13
6	K26	18	11
7	L21	18	15
8	L22	18	13
9	L23	18	13
10	L24	18	13
11	L25	18	13
12	L25	15	17
13	L26	18	11
14	L33	x	2
15	M21	18	15
16	L33	x	2
17	M22	18	15
18	M23	18	13
19	M24	18	13
20	M25	18	13
21	M26	18	11
22	N20	18	17
23	N21	18	17
24	N22	18	15
25	N23	18	15
26	N24	18	15
27	N25	18	15
28	N26	18	13

JACK PIN LG

63017200 Rev. E

ADD CONTROL



PICK SMALLER WORD

CA 8 L34

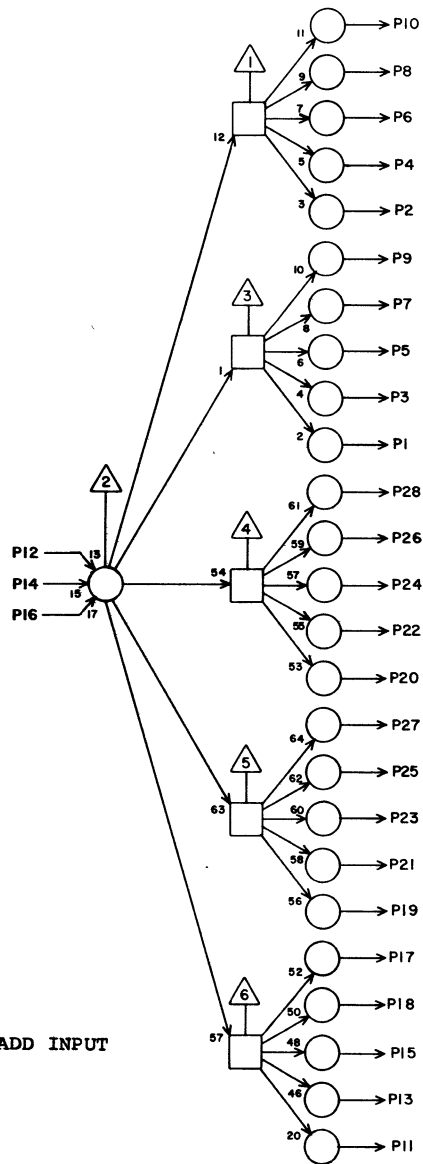
1	K21	13	15
2	K22	13	15
3	K23	13	15
4	K24	13	13
5	K25	13	13
6	K26	13	11
7	L21	13	15
8	L22	13	15
9	L23	13	15
10	L24	13	13
11	L25	13	13
12	L31	13	5
13	L26	13	11
14	L34	x	2
15	M21	13	15
16	L34	x	2
17	M22	13	15
18	M23	13	13
19	M24	13	13
20	M25	13	13
21	M26	13	11
22	N20	13	17
23	N21	13	17
24	N22	13	15
25	N23	13	15
26	N24	13	15
27	N25	13	15
28	N26	13	13

JACK PIN LG

63017200 Rev. E

8L34

CLEAR ADD INPUT



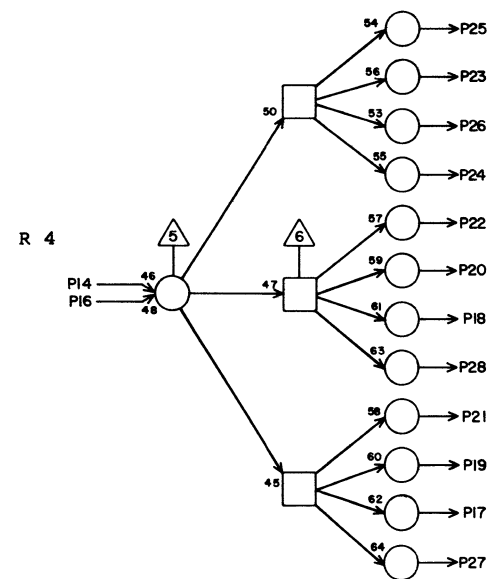
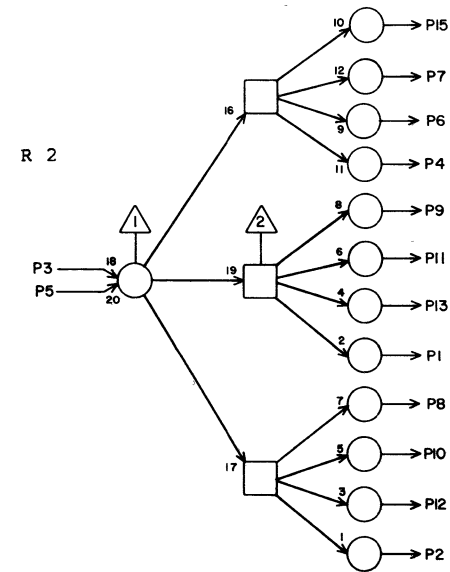
CA 8 L35

1	K21	16	17
2	K22	16	15
3	K23	16	15
4	K24	16	13
5	K25	16	13
6	K26	16	13
7	L21	16	17
8	L22	16	15
9	L23	16	15
10	L24	16	13
11	L25	16	13
12	I25	9	17
13	L26	16	13
14	L35	x	2
15	M21	16	17
16	L35	x	2
17	M22	16	15
18	M23	16	15
19	M24	16	15
20	M25	16	13
21	M26	16	13
22	N20	16	19
23	N21	16	17
24	N22	16	17
25	N23	16	17
26	N24	16	15
27	N25	16	15
28	N26	16	15

JACK PIN LG

63017200 Rev. E

ADD COEF. SHIFT CONTROL



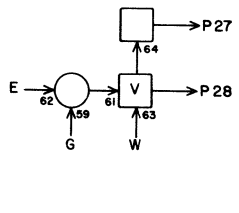
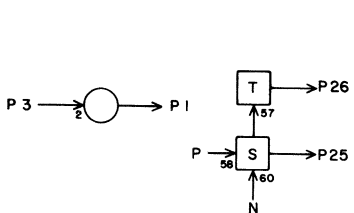
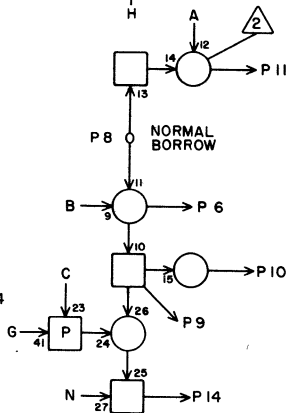
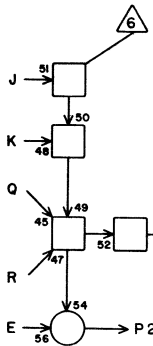
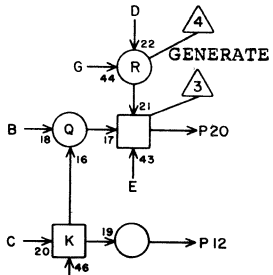
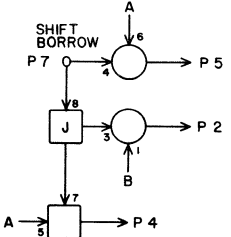
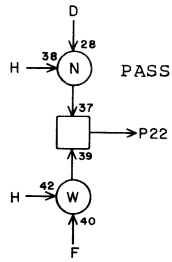
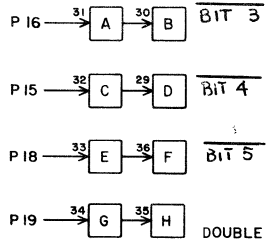
TC 8 L36

1	M38	16	9
2			
3	L31	7	7
4	M34	16	9
5	L31	9	7
6	M33	16	9
7	M32	16	11
8	M39	16	9
9	M35	16	9
10	M40	16	9
11	M36	16	9
12	P42	20	21
13	M37	16	9
14	L31	26	9
15	M31	16	11
16	L31	28	9
17	P42	1	19
18	M37	17	7
19	M40	17	9
20	M36	17	7
21	M39	17	9
22	M35	17	7
23	M32	17	9
24	M34	17	7
25	M31	17	9
26	M33	17	7
27			
28	M38	17	7

JACK PIN LG

63017200 Rev. E

ADD EXPONENT ADDER



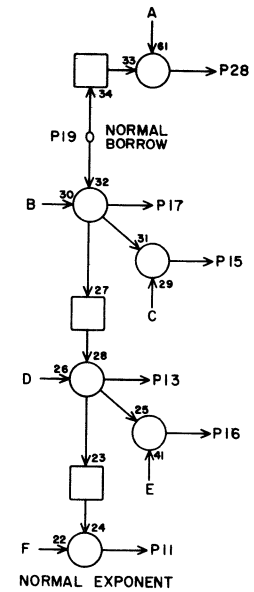
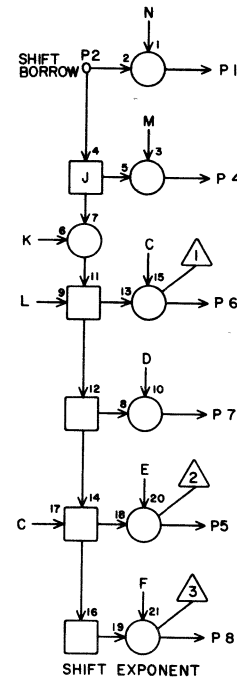
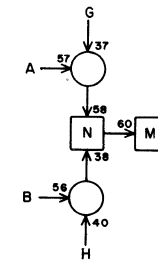
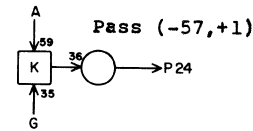
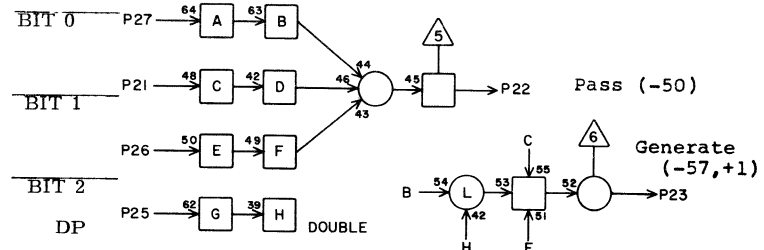
NQ 8L37

1	O24	19	21
2	K27	10	13
3	C22	6	39
4	L28	20	13
5	K27	12	13
6	K27	9	13
7	L29	8	11
8	L28	7	11
9	L28	18	11
10	L28	10	13
11	K27	6	15
12	L29	21	11
13			
14	K29	11	13
15	K32	15	11
16	K32	19	9
17			
18	K32	12	11
19	D21	6	37
20	L29	4	11
21	M28	16	13
22	L28	2	13
23			
24	M28	18	15
25	L28	14	13
26	L28	17	11
27	K29	12	13
28	K29	14	13

JACK PIN LG

63017200 Rev. E

ADD EXPONENT ADDER



SHIFT EXPONENT

NORMAL EXPONENT

8L38

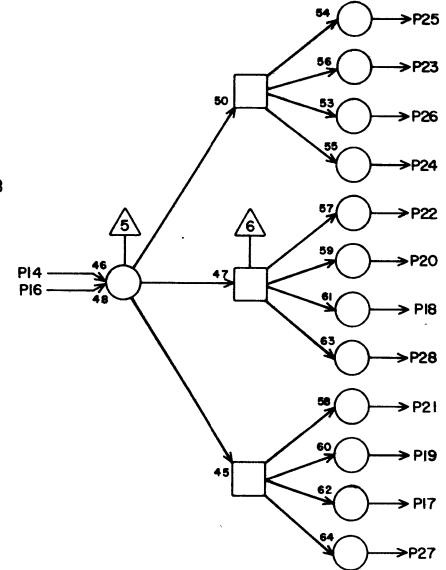
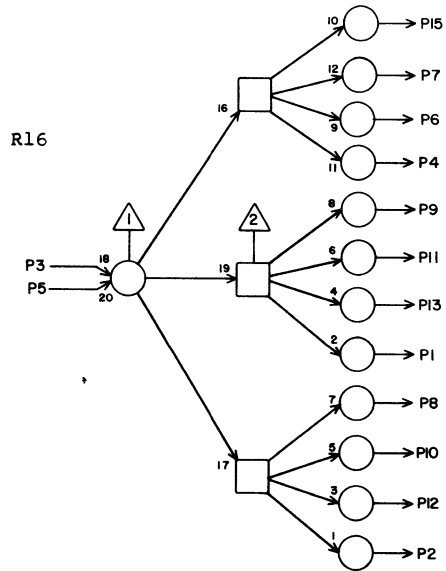
NP 8L38

1	K27	27	15
2	L29	18	13
3			
4	K27	25	15
5	K27	4	15
6	K27	16	15
7	K27	18	15
8	K27	2	15
9			
10			
11	K27	3	15
12			
13	K27	19	15
14			
15	K27	17	15
16	K27	5	15
17	K27	28	15
18			
19	L28	5	13
20			
21	K31	15	11
22	L28	8	13
23	L29	7	15
24	L29	6	13
25	D21	4	43
26	K31	12	13
27	K31	19	13
28	K27	26	15

JACK PIN LG

63017200 Rev. E

ADD COEF. SHIFT CONTROL



TC **8L39**

1	N41	17	13
2	O38	17	17
3	K41	25	9
4	N37	17	13
5	L39	x	2
6	N36	17	13
7	M42	17	9
8	N42	17	13
9	N38	17	13
10	O36	17	17
11	N39	17	13
12	O37	17	15
13	N4C	17	13
14	K40	1	9
15	M41	17	9
16			
17	O37	16	13
18	N40	16	11
19	O36	16	15
20	N39	16	11
21	N42	16	13
22	N38	16	11
23	M42	16	9
24	N37	16	11
25	M41	16	7
26	N36	16	11
27	O38	16	15
28	N41	16	11

JACK PIN LG

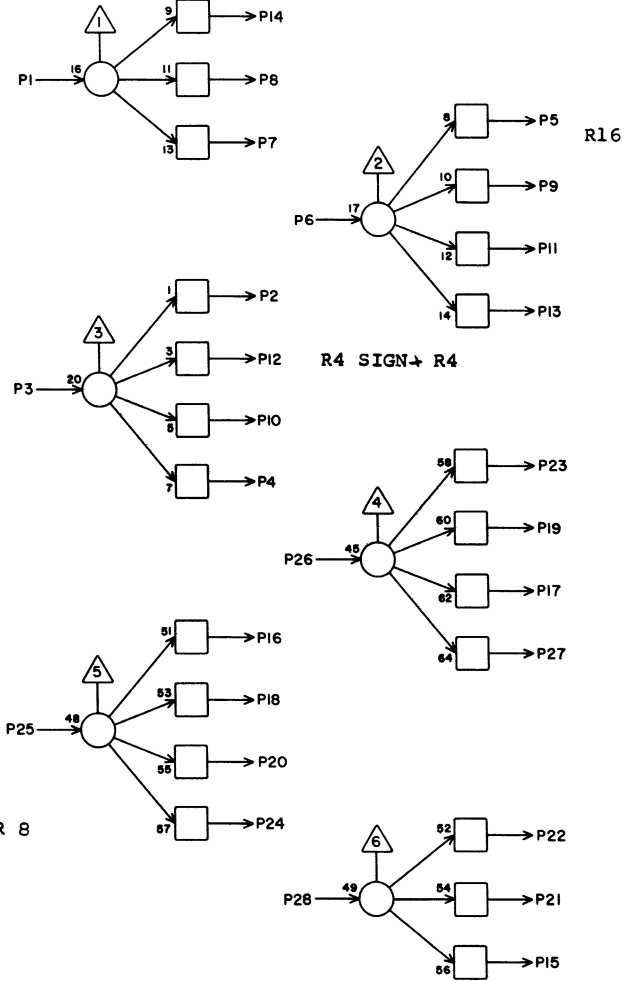
63017200 Rev. E

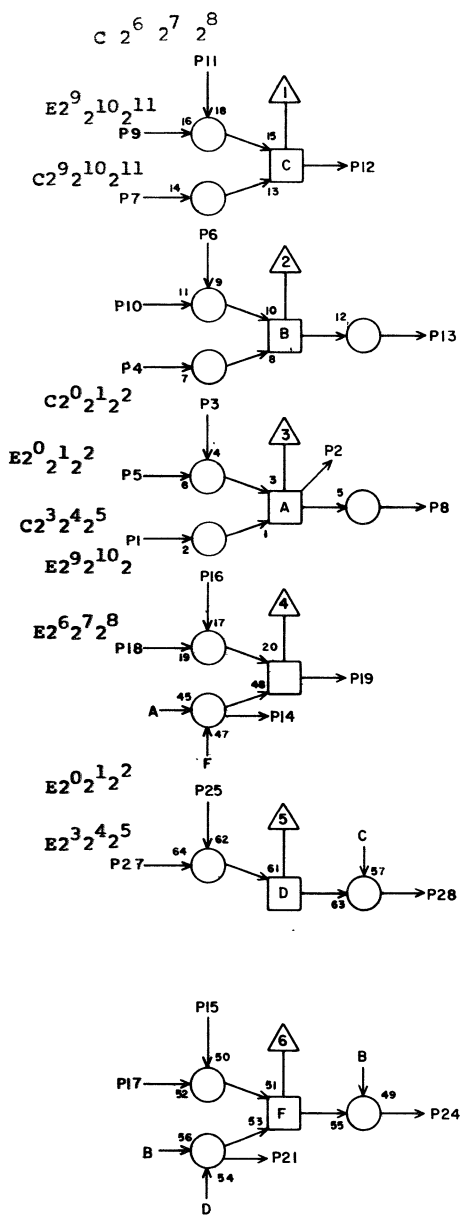
TH **8L40**

1	F20	11	29
2	O39	11	17
3	K39	14	7
4	O40	11	17
5	O39	17	17
6	K39	23	7
7	K42	3	7
8	O32	24	19
9	O40	17	15
10	O41	11	15
11	O41	17	15
12	O42	11	15
13	O42	17	15
14	O32	27	180
15			
16	O39	16	15
17			
18	O40	16	15
19			
20	O41	16	15
21	F25	16	31
22	Q26	19	25
23			
24	O42	16	15
25	K40	2	9
26	F28	17	29
27	I23	3	23
28	K19	16	23

JACK PIN LG

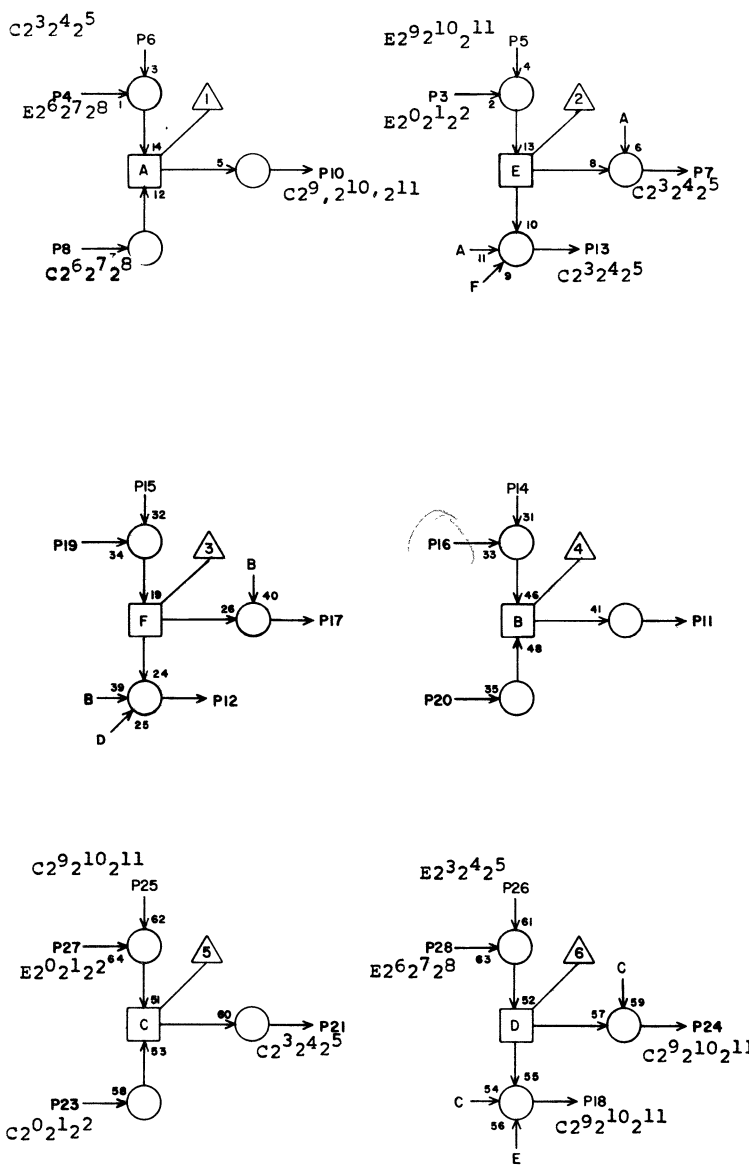
63017200 Rev. AD





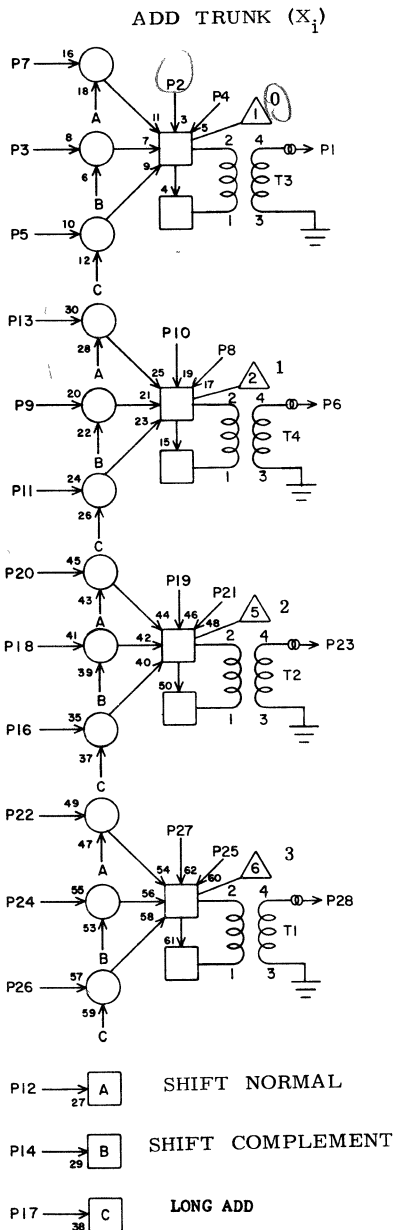
NI		8L 41	
1	K36	14	9
2	L31	21	13
3	K35	14	9
4	L02	27	35
5	K36	20	9
6			
7	K38	14	9
8	K37	25	7
9	K38	20	9
10	L01	27	35
11	K37	14	11
12	L31	5	13
13			
14			
15			
16	K38	22	7
17	L03	27	35
18	K37	20	9
19	L31	15	13
20			
21			
22			
23			
24			
25	K35	20	11
26			
27	K36	22	9
28	K37	21	9
	JACK	PIN	LG

63017200 Rev. B



QC		8L 42	
1			
2			
3	K38	24	7
4	K37	22	9
5	K35	24	11
6	K36	16	9
7	K36	21	9
8	K37	16	9
9			
10	K38	25	7
11	F13	13	35
12			
13	K36	27	11
14	D17	10	47
15			
16	I21	6	27
17			
18	K38	27	9
19			
20	Q33	13	25
21	K36	25	11
22			
23	K35	16	13
24	K38	21	9
25	K38	16	9
26	K36	24	11
27	K35	22	11
28	K37	24	9
	JACK	PIN	LG

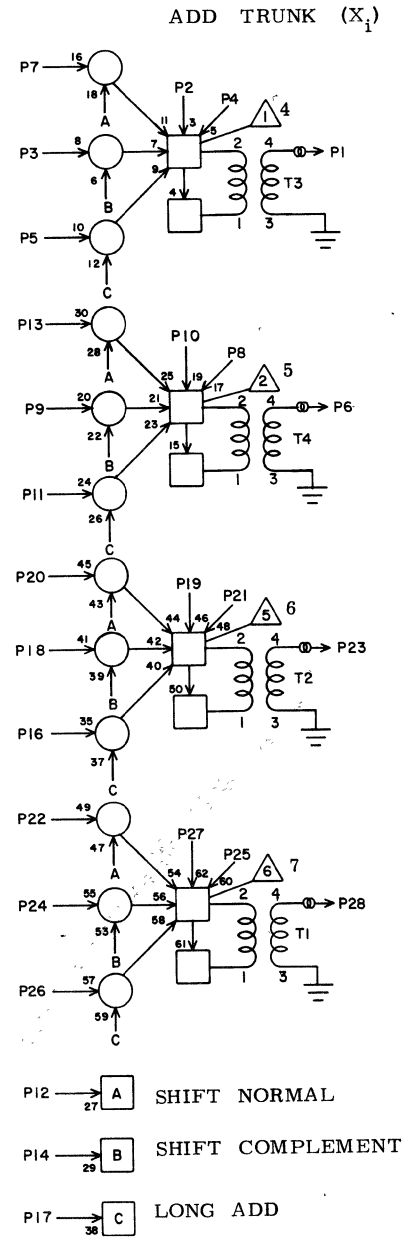
63017200 Rev. AB



RM 8 M01

JACK	PIN	LG
1	W24	90
2	O17	4 19
3	I01	12 17
4	O17	12 19
5	I34	28 35
6	W24	91
7	I01	14 19
8	O17	20 19
9	I01	16 17
10	O17	10 19
11	I34	22 35
12	N05	11 9
13	I01	24 17
14	N16	9 17
15		
16	I34	12 35
17	M06	11 9
18	I01	28 17
19	O17	22 19
20	I01	26 19
21	O17	28 19
22	I02	14 19
23	W24	92
24	I02	12 19
25	O18	2 19
26	I35	28 37
27	O17	26 19
28	W24	93

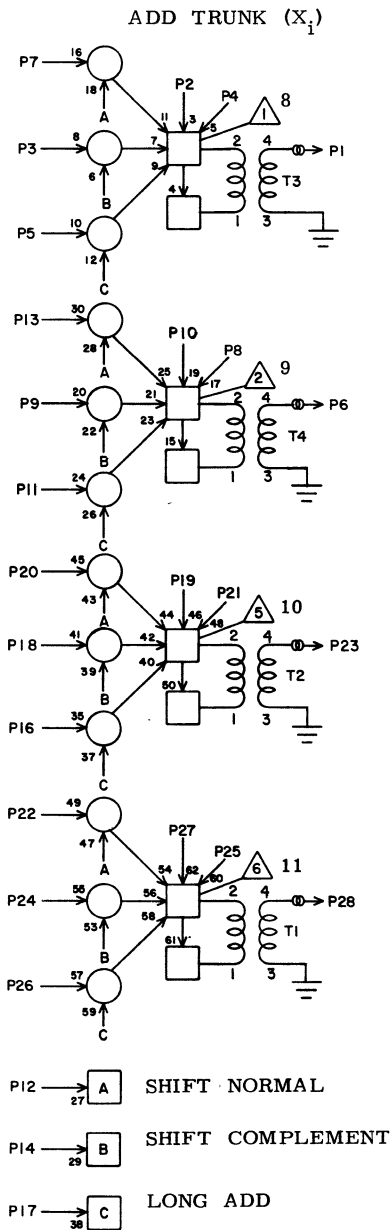
JACK PIN LG



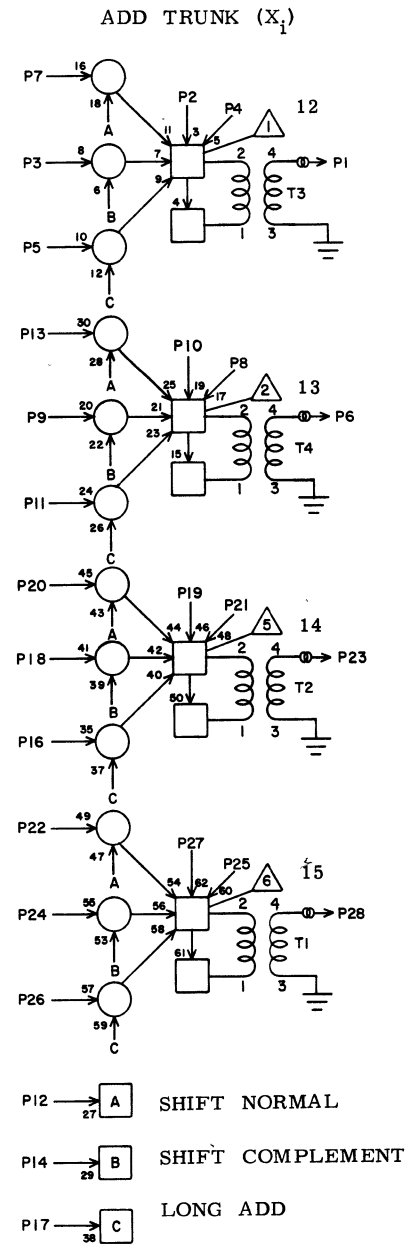
RM 8 M02

JACK	PIN	LG
1	W24	94
2	O18	4 19
3	I02	16 17
4	O18	12 17
5	I35	22 35
6	W24	95
7	I02	24 17
8	O18	20 19
9	I02	28 17
10	O18	10 19
11	I35	12 35
12	N05	8 9
13	I02	26 17
14	N16	10 17
15		
16	I36	28 37
17	M06	12 7
18	I03	12 19
19	O18	22 19
20	I03	14 19
21	O18	28 19
22	I03	24 19
23	W24	96
24	I03	16 19
25	O19	2 19
26	I36	22 35
27	O18	26 19
28	W24	97

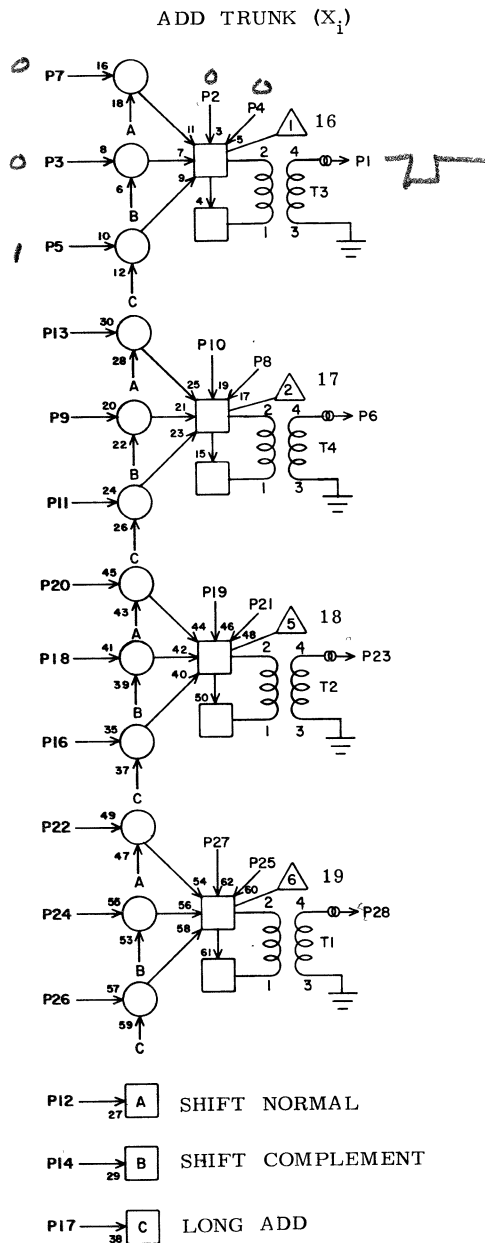
JACK PIN LG



RM		8M 03	
JACK	PIN	LG	
1	W24	98	
2	O19	4	19
3	I03	28	17
4	O19	12	19
5	I36	12	35
6	W24	99	
7	I03	26	17
8	O19	20	19
9	I04	12	19
10	O19	10	19
11	I37	28	37
12	N05	10	9
13	I04	14	19
14	N16	11	17
15			
16	I37	22	37
17	M06	10	7
18	I04	16	19
19	O19	22	19
20	I04	24	19
21	O19	28	19
22	I04	26	19
23	W24	900	
24	I04	28	19
25	P17	2	19
26	I37	12	37
27	O19	26	19
28	W24	901	

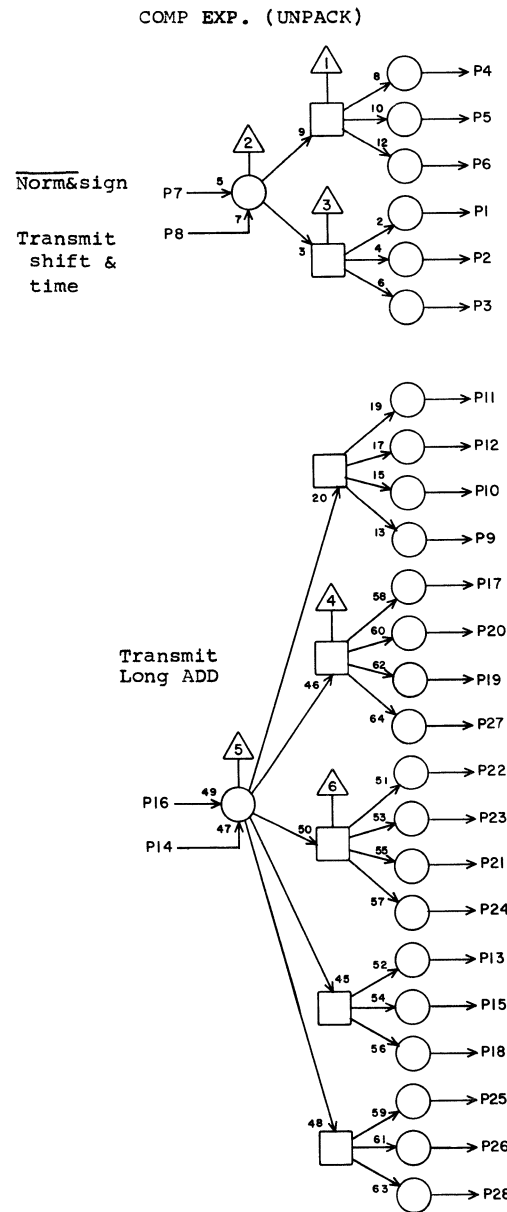


RM		8M 04	
JACK	PIN	LG	
1	W24	902	
2	P17	4	19
3	I05	12	17
4	P17	12	19
5	I38	28	35
6	W24	903	
7	I05	14	19
8	P17	20	21
9	I05	16	19
10	P17	10	19
11	I38	22	37
12	N05	9	7
13	I05	24	17
14	N16	13	17
15			
16	I38	12	37
17	M06	9	7
18	I05	28	17
19	P17	22	19
20	I05	26	19
21	P17	28	19
22	I06	14	19
23	W24	904	
24	I06	12	19
25	P18	2	19
26	J25	28	25
27	P17	26	19
28	W24	905	



RM		M 05	
1	W24	906	
2	P18	4	19
3	I06	16	17
4	P18	12	19
5	J25	22	25
6	W24	907	
7	I06	24	17
8	P18	20	21
9	I06	28	17
10	P18	10	19
11	J25	12	25
12	N05	17	9
13	I06	26	17
14	N16	15	15
15			
16	J26	28	25
17	M06	17	5
18	I07	12	19
19	P18	22	19
20	I07	14	19
21	P18	28	19
22	I07	24	19
23	W25	90	
24	I07	16	19
25	P19	2	19
26	J26	22	25
27	P18	26	19
28	W25	91	
	JACK	PIN	LG

63017200 Rev. F



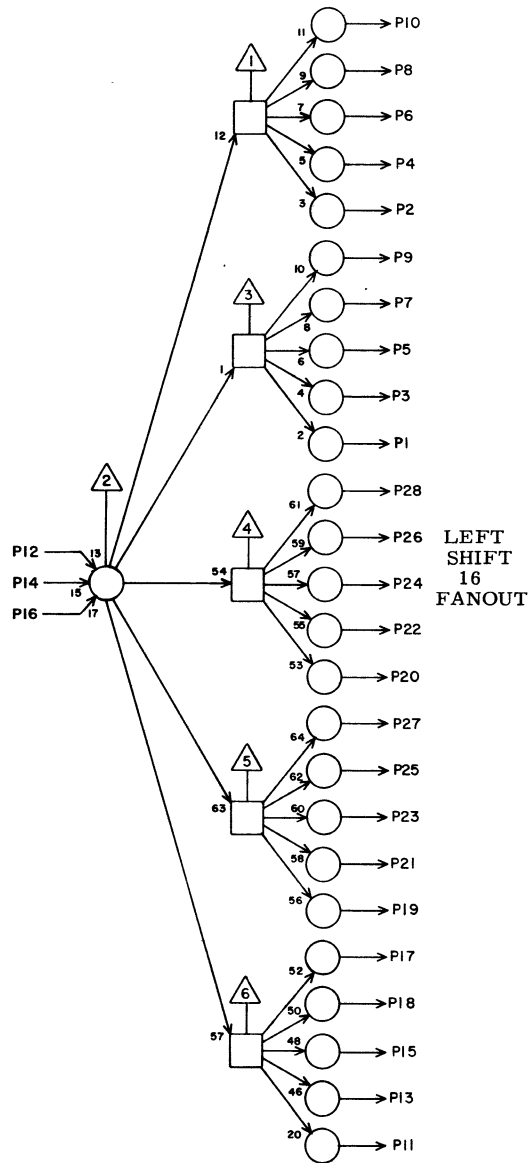
8M06

CB		M 06	
1	H03	21	21
2	H04	21	21
3	H05	21	21
4	H17	9	25
5	H18	9	25
6			
7	I23	7	25
8	I19	27	21
9	M04	17	7
10	M03	17	7
11	M01	17	9
12	M02	17	7
13	H14	17	23
14	H22	9	27
15	H15	17	23
16	F01	28	120
17	M05	17	5
18	H16	17	25
19	N02	17	9
20	N01	17	9
21	H12	17	23
22	N04	17	7
23	H11	17	23
24	H13	17	25
25			
26			
27	N03	17	7
28			
	JACK	PIN	LG

63017200 Rev. E

SHIFT DIRECTION CONTROL

(SHIFT UNIT)



CA

8M 07

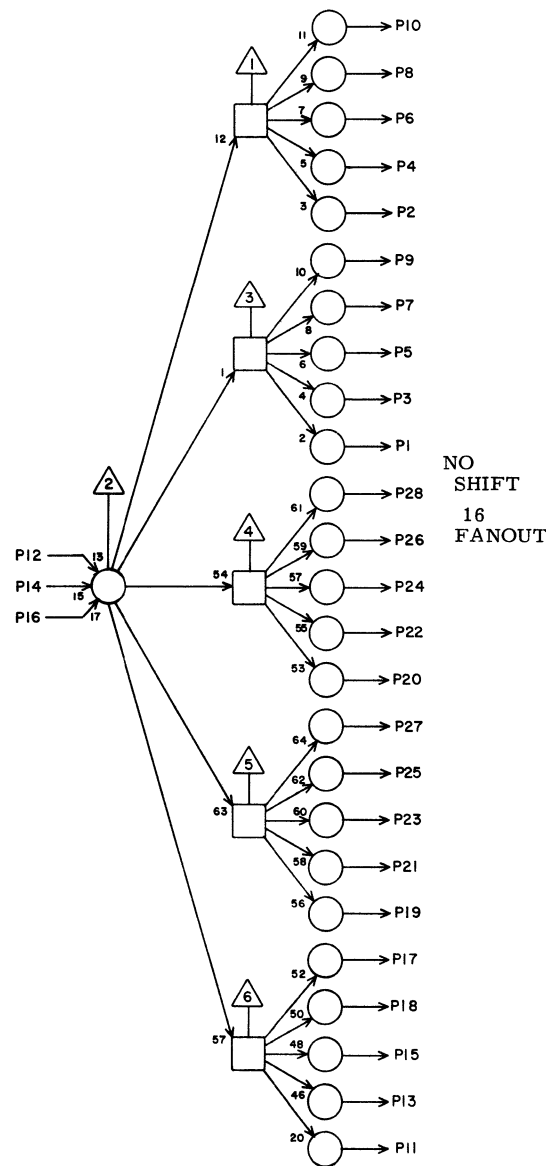
1	001	4	13
2	002	4	13
3	003	4	13
4	004	4	13
5	005	4	11
6	006	4	11
7	007	4	11
8	008	4	11
9	009	4	11
10	010	4	11
11	011	4	11
12	I18	18	21
13	012	4	13
14	I17	5	23
15	013	4	13
16	M07	X	2
17	014	4	13
18	015	4	13
19	P01	4	15
20	P02	9	15
21	P03	9	15
22	P04	9	15
23	P05	9	15
24			
25			
26			
27			
28			

JACK PIN LG

63017200 Rev. E

SHIFT DIRECTION CONTROL

(SHIFT UNIT)



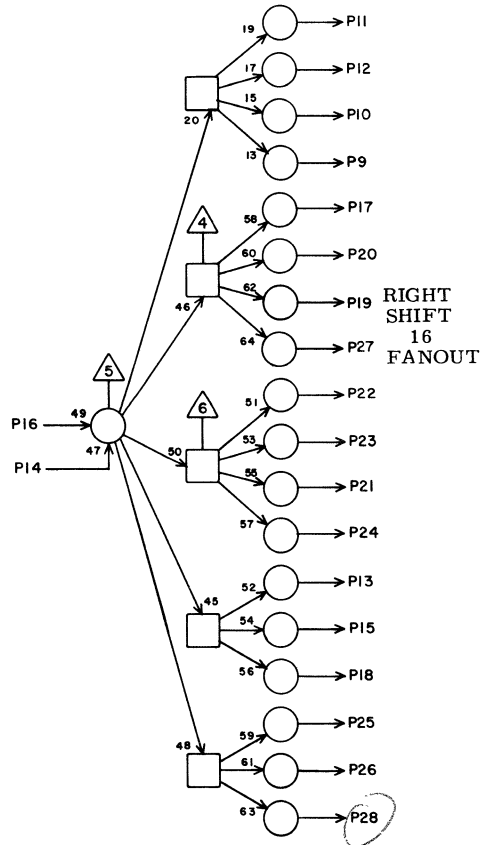
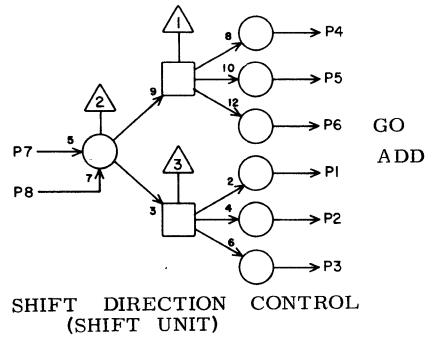
CA

8M 08

1	001	2	15
2	002	2	13
3	003	2	13
4	004	2	13
5	005	2	13
6	006	2	11
7	007	2	11
8	008	2	11
9	009	2	11
10	010	2	11
11	011	2	11
12	L11	9	9
13	012	2	11
14	M08	X	2
15	013	2	11
16	M08	X	2
17	014	2	13
18	015	2	13
19	P01	2	15
20	P02	3	15
21	P03	3	15
22	P04	3	15
23	P05	3	13
24			
25			
26			
27			
28			

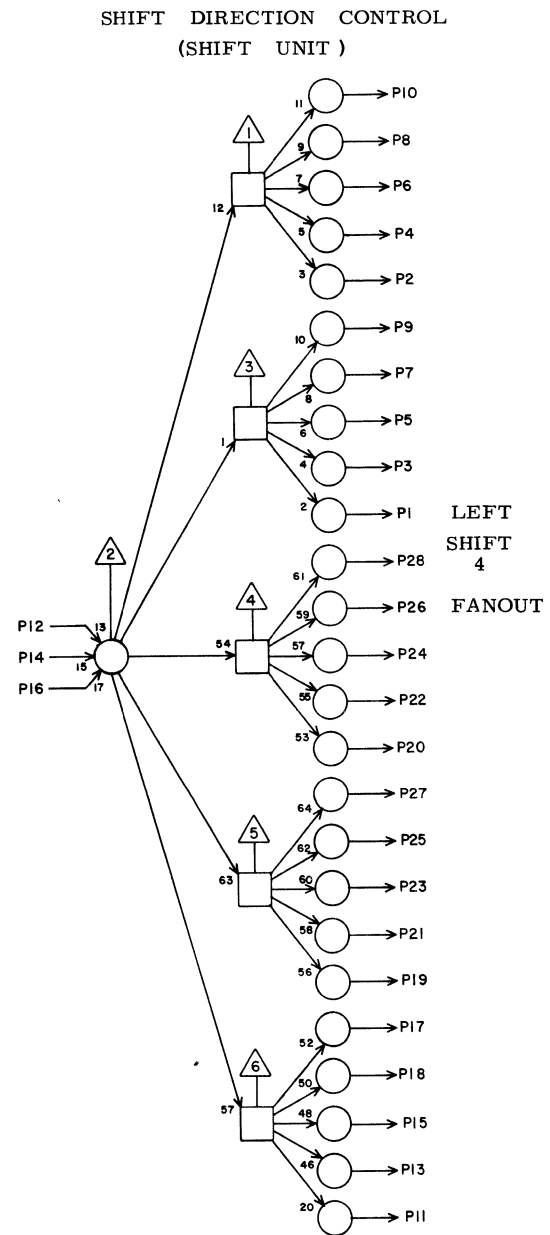
JACK PIN LG

63017200 Rev. E



CB		8M 09	
1	L09	28	3
2	L10	28	15
3	L11	28	11
4	I17	26	17
5			
6			
7	H20	23	25
8	H10	2	96
9	O09	13	13
10	O10	13	13
11	O11	13	13
12			
13	O12	13	13
14	I17	10	25
15	O13	13	13
16	I18	16	21
17	O14	13	13
18	O15	13	13
19	P01	13	17
20	O01	13	15
21	O02	13	15
22	O03	13	13
23	O04	13	13
24	O05	13	13
25	O06	13	13
26	O07	13	11
27	O08	13	11
28	I25	21	25
	JACK	PIN	LG

63017200 Rev. N

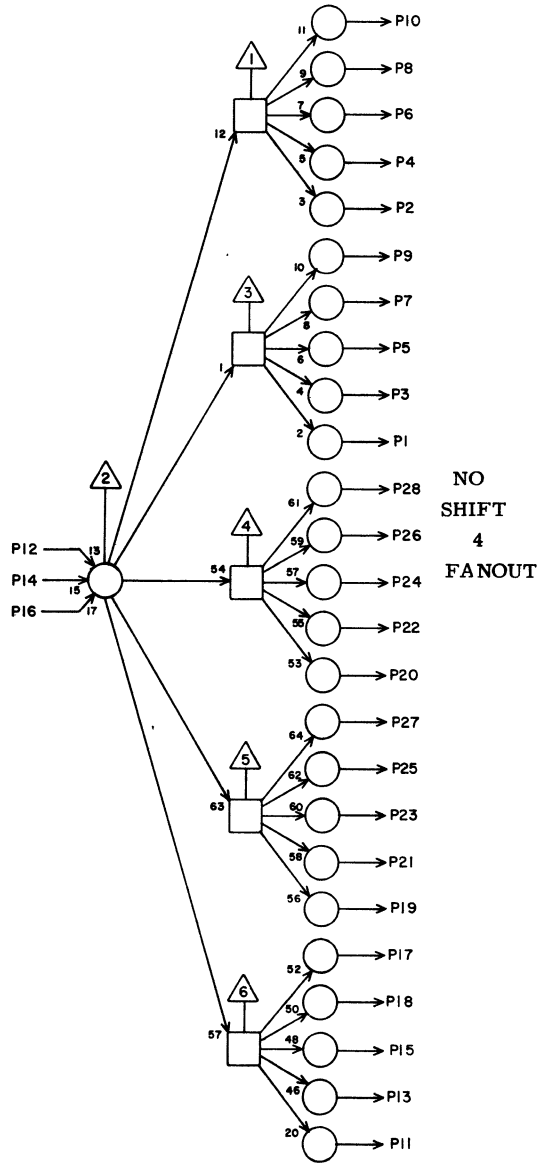


CA		8M10	
1	P06	4	15
2	P07	4	15
3	P08	4	17
4	P09	4	15
5	P10	4	15
6	P11	4	15
7	P12	4	15
8	P13	4	15
9	P14	4	15
10	P15	4	15
11	Q01	4	19
12	I18	12	21
13	Q02	4	19
14	I17	3	21
15	Q03	4	19
16	M10	X	2
17	Q04	4	19
18	Q05	4	19
19	Q06	4	17
20	Q07	4	17
21	Q08	4	17
22	Q09	4	17
23	Q10	4	17
24			
25			
26			
27			
28			
	JACK	PIN	LG

63017200 Rev. E

8M10

SHIFT DIRECTION CONTROL
(SHIFT UNIT)

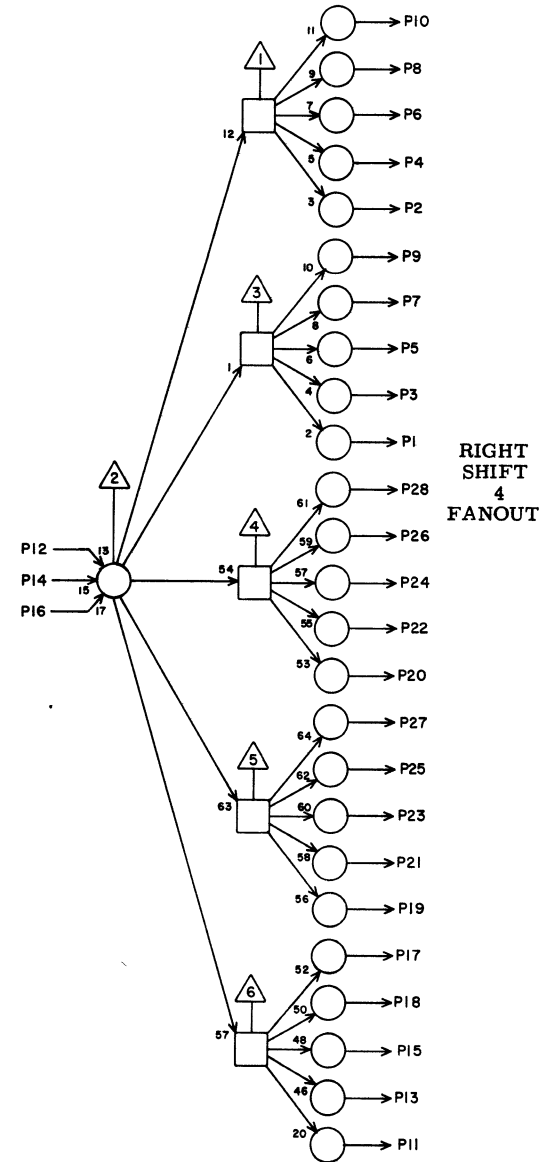


CA		8M 11	
1	P06	2	17
2	P07	2	15
3	P08	2	15
4	P09	2	15
5	P10	2	15
6	P11	2	15
7	P12	2	15
8	P13	2	15
9	P14	2	15
10	P15	2	15
11	Q01	2	21
12	L10	9	19
13	Q02	2	19
14	M11	X	2
15	Q03	2	19
16	M11	X	2
17	Q04	2	19
18	Q05	2	19
19	Q06	2	19
20	Q07	2	17
21	Q08	2	17
22	Q09	2	17
23	Q10	2	17
24			
25			
26			
27			
28			

JACK PIN LG

63017200 Rev. E

SHIFT DIRECTION CONTROL
(SHIFT UNIT)

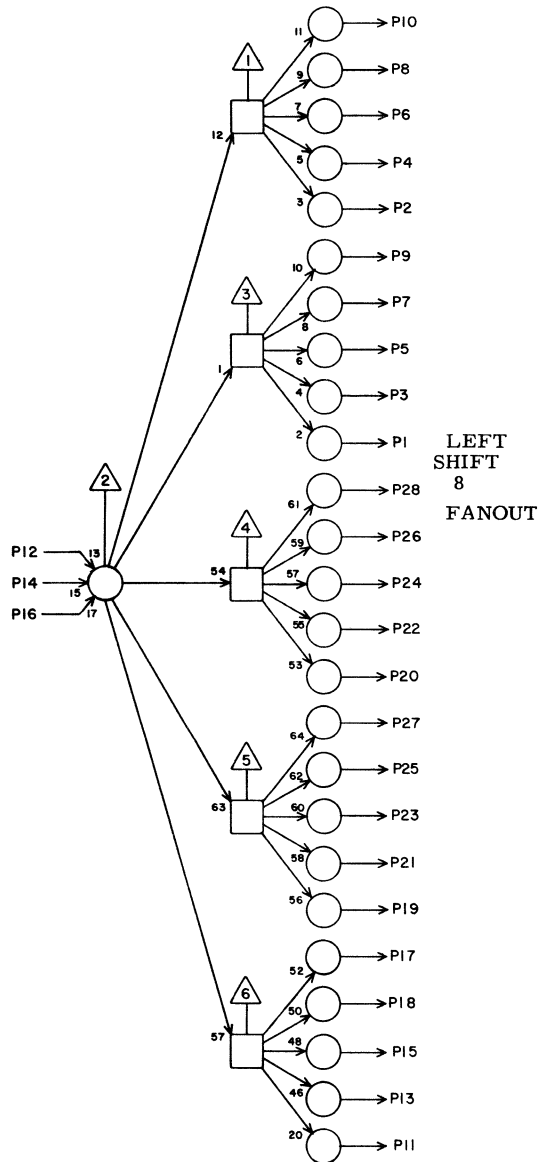


CA		8M 12	
1	P06	13	17
2	P07	3	17
3	P08	13	17
4	P09	13	17
5	P10	13	15
6	P11	13	15
7	P12	13	15
8	P13	13	15
9	P14	13	15
10	P15	13	15
11	Q01	13	21
12	I18	2	21
13	Q02	13	21
14	I17	12	19
15	Q03	13	21
16	M12	X	2
17	Q04	13	19
18	Q05	13	19
19	Q06	13	19
20	Q07	13	19
21	Q08	13	19
22	Q09	13	19
23	Q10	13	19
24	I25	26	23
25			
26			
27			
28			

JACK PIN LG

63017200 Rev. E

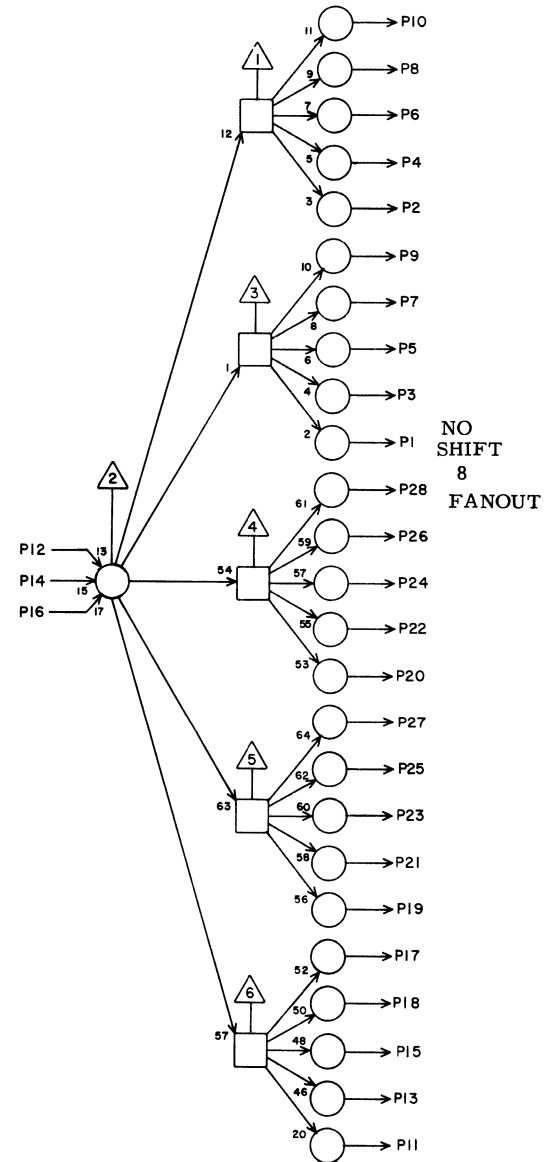
SHIFT DIRECTION CONTROL
(SHIFT UNIT)



CA		8M 13	
JACK	PIN	LG	
1	P06	28	19
2	P07	28	19
3	P08	28	17
4	P09	28	17
5	P10	28	17
6	P11	28	17
7	P12	28	17
8	P13	28	17
9	P14	28	17
10	P15	28	17
11	Q01	28	23
12	I18	19	19
13	Q02	28	23
14	I17	1	21
15	Q03	28	23
16	M13	X	2
17	Q04	28	21
18	Q05	28	21
19	Q06	28	21
20	Q07	28	19
21	Q08	28	19
22	Q09	28	19
23	Q10	28	19
24			
25			
26			
27			
28			

63017200 Rev. E

SHIFT DIRECTION CONTROL
(SHIFT UNIT)

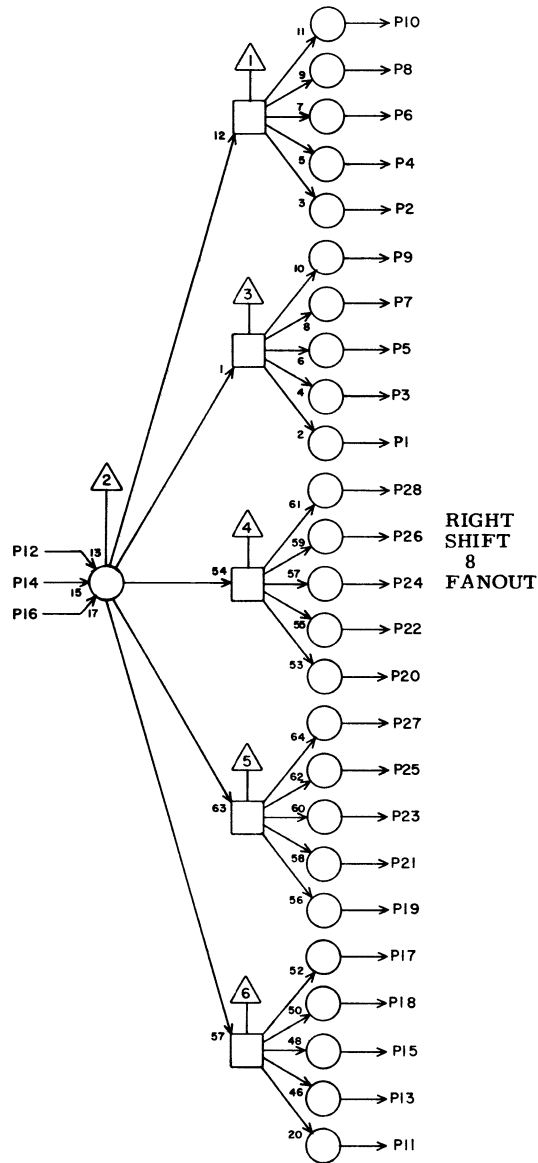


CA		8M 14	
JACK	PIN	LG	
1	P06	15	17
2	P07	15	17
3	P08	15	17
4	P09	15	17
5	P10	15	17
6	P11	15	17
7	P12	15	15
8	P13	15	15
9	P14	15	15
10	P15	15	15
11	Q01	15	23
12	L10	2	19
13	Q02	15	23
14	M14	X	2
15	Q03	15	21
16	M14	X	2
17	Q04	15	21
18	Q05	15	21
19	Q06	15	19
20	Q07	15	19
21	Q08	15	19
22	Q09	15	19
23	Q10	15	19
24			
25			
26			
27			
28			

63017200 Rev. E

8M14

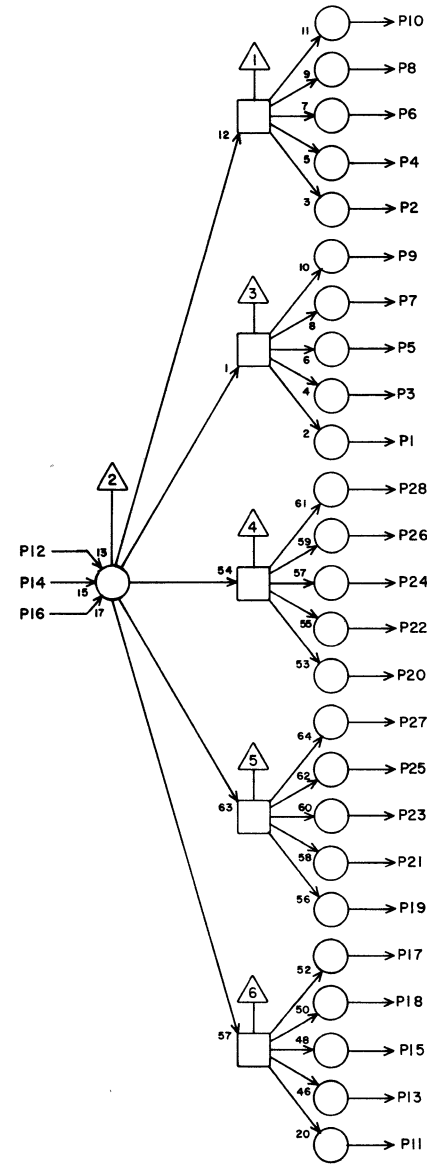
SHIFT DIRECTION CONTROL
(SHIFT UNIT)



CA		8M 15	
JACK	PIN	LG	
1	P06	27	19
2	P07	27	19
3	P08	27	19
4	P09	27	17
5	P10	27	17
6	P11	27	17
7	P12	27	17
8	P13	27	17
9	P14	27	17
10	P15	27	17
11	Q01	27	25
12	I18	23	19
13	Q02	27	23
14	I17	14	19
15	Q03	27	23
16	M15	X	2
17	Q04	27	23
18	Q05	27	21
19	Q06	27	21
20	Q07	27	21
21	Q08	27	21
22	Q09	27	19
23	Q10	27	19
24	I25	24	21
25			
26			
27			
28			

63017200 Rev. E

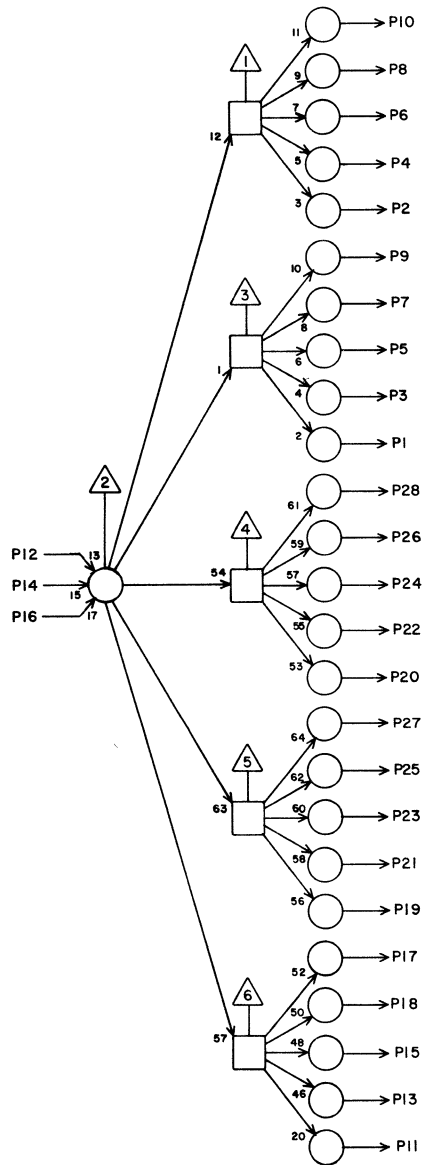
ADD,
SELECT
UPPER
WORD



CA		8M 16	
JACK	PIN	LG	
1	P29	20	21
2	P30	20	21
3	Q20	20	21
4	Q21	20	21
5	Q22	20	21
6	Q23	20	21
7	Q24	20	21
8	Q25	20	21
9	Q26	20	21
10	Q27	20	23
11	Q28	20	23
12	E19	17	33
13	Q29	10	23
14	M16	X	2
15	Q30	20	23
16	M16	X	2
17	R20	20	23
18	R21	20	23
19	R22	20	23
20	R23	20	23
21	R24	20	23
22	R25	20	23
23	R26	20	23
24	R27	20	25
25	R28	20	25
26	R29	20	25
27	R30	1	25
28	N27	2	13

63017200 Rev. E

ADD,
SELECT
LOWER
WORD



CA

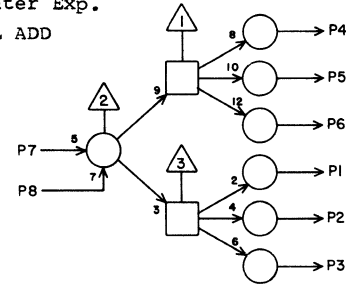
8M 17

1	M29	20	15
2	N30	20	17
3	N28	20	15
4	N29	20	17
5	N30	20	17
6	O20	20	13
7	O21	20	13
8	O22	20	15
9	O23	20	15
10	O24	20	15
11	O25	20	15
12	D21	2	43
13	O26	20	15
14	M17	X	2
15	O27	20	15
16	M17	X	2
17	O28	20	17
18	O29	20	17
19	O30	20	17
20	P20	20	15
21	P21	20	15
22	P22	20	17
23	P23	20	17
24	P24	20	17
25	P25	20	17
26	P26	20	17
27	P27	20	17
28	P28	1	17

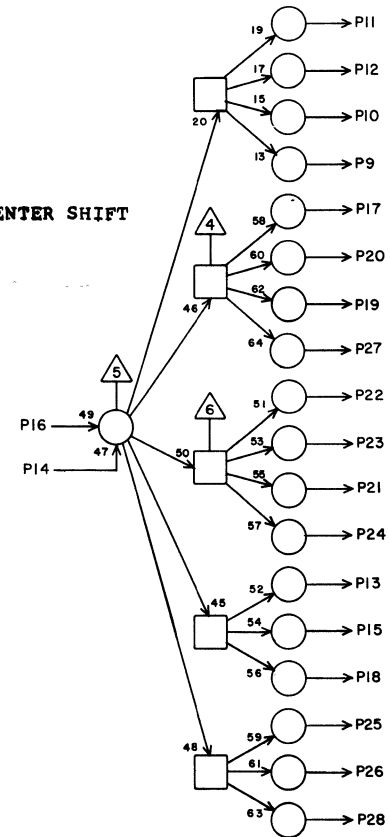
JACK PIN LG

63017200 Rev V

Enter Exp.
FL ADD



ENTER SHIFT



CB

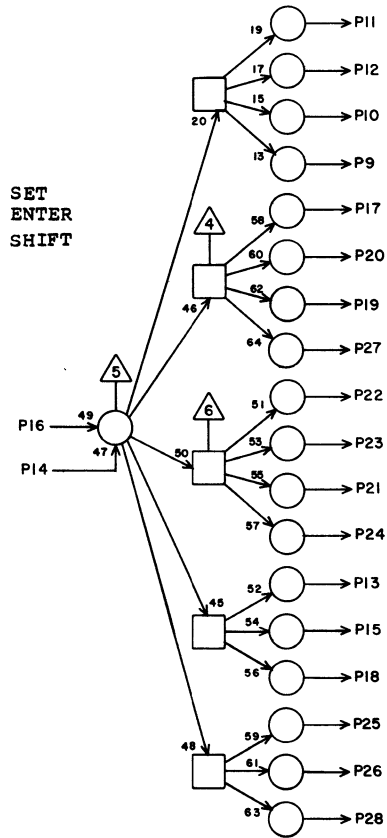
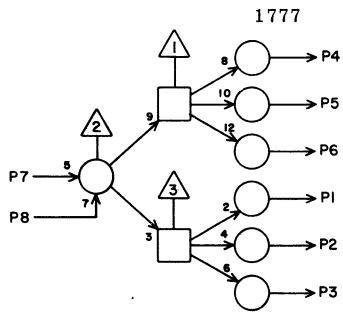
8M 18

1	K31	8	17
2	K32	8	19
3	K33	8	19
4	K34	8	19
5	H09	23	23
6			
7	H20	10	23
8	H25	26	25
9	K15	16	11
10	K16	16	11
11	L12	16	11
12	F18	19	31
13	L13	16	9
14	G18	11	25
15	L14	16	9
16			
17	L15	16	9
18	L16	16	7
19	J12	16	15
20	J13	16	15
21	J14	16	15
22	J15	16	15
23	J16	16	15
24	K12	16	13
25	K13	16	13
26	K14	16	11
27	G17	4	25
28			

JACK PIN LG

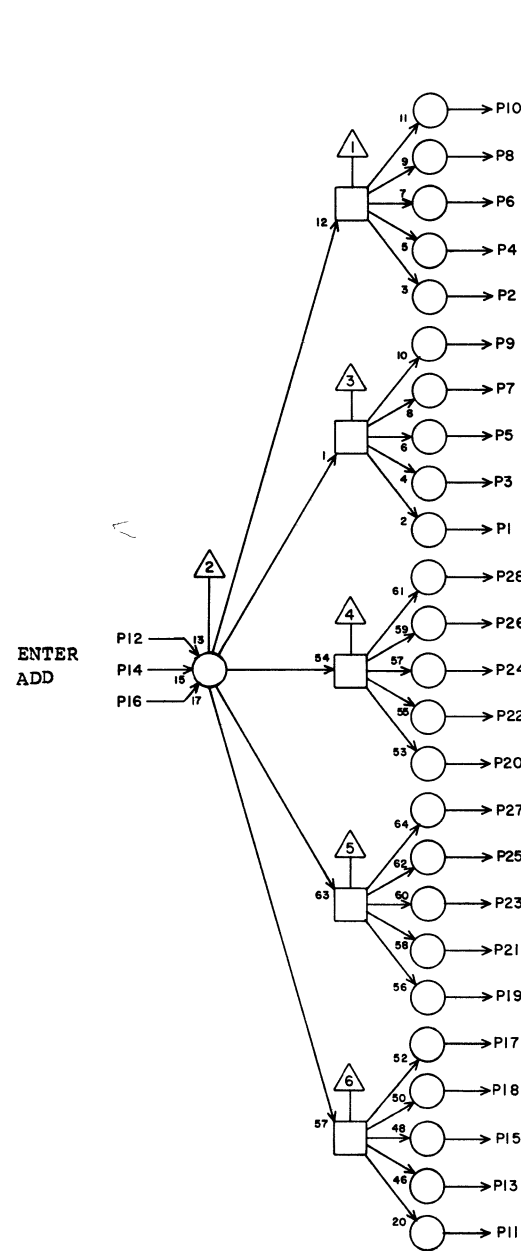
63017200 Rev. AB

8M18



CB		8M 19	
JACK	PIN	LG	
1	P22	21	17
2	O25	21	15
3			
4	G17	3	27
5			
6			
7	K19	15	11
8			
9	L02	18	19
10	L03	18	19
11	L04	18	17
12			
13	L05	18	17
14	H22	12	120
15	L06	18	17
16	I23	12	19
17	L07	18	15
18	L08	18	15
19	K05	18	17
20	K06	18	17
21	K07	18	17
22	K08	18	15
23	K09	18	15
24	K10	18	15
25	K11	18	13
26	L01	18	19
27			
28	K30	26	60

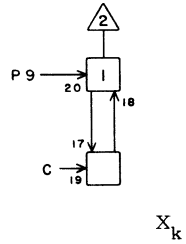
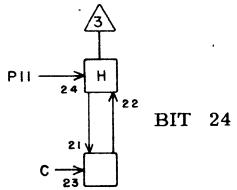
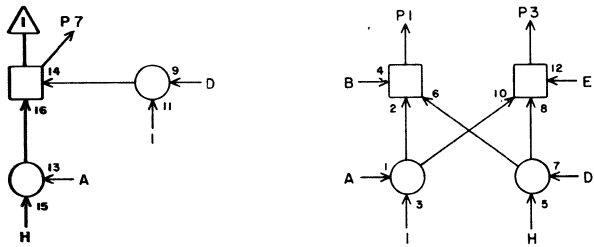
63017200 Rev. T



CA		8M 20	
JACK	PIN	LG	
1	J01	8	23
2	J02	8	23
3	J03	8	23
4	J04	14	21
5	J05	14	21
6	J06	14	19
7	J07	14	19
8	J08	14	19
9	J09	14	19
10	J10	14	17
11	J11	14	17
12	H20	17	23
13	K01	14	23
14	H10	12	96
15	K02	14	21
16	M20	X	2
17	K03	14	21
18	K04	14	19
19	K05	14	19
20	K06	14	19
21	K07	14	19
22	K08	14	17
23	K09	14	17
24	K10	14	15
25	K11	14	15
26	L01	14	21
27	G17	25	27
28	G18	25	27

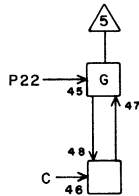
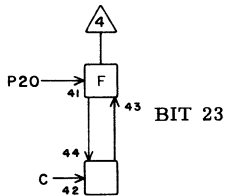
63017200 Rev. N

ADD FEEDER REG.

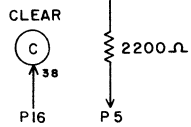
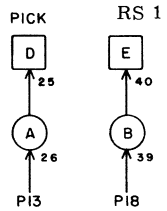
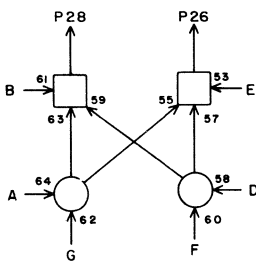
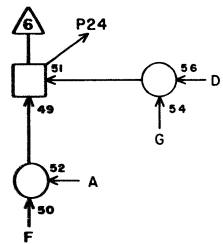


X_j

X_k



BIT 23



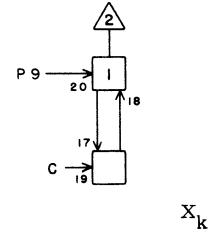
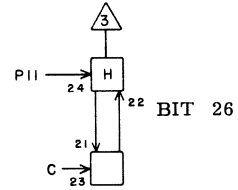
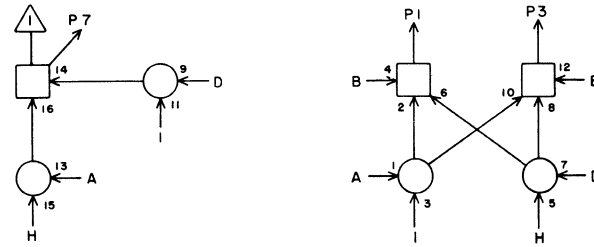
ND 8M21

1	M36	27	17
2			
3	M35	23	17
4			
.5			
6			
7	Q29	28	21
8			
9	K02	3	23
10			
11	K02	10	23
12			
13	L34	15	15
14			
15			
16	L35	15	17
17			
18	L33	15	15
19			
20	K01	22	23
21			
22	K01	25	23
23			
24	Q29	18	21
25			
26	M36	23	17
27			
28	M35	21	17

JACK PIN LG

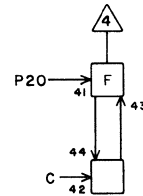
63017200 Rev. E

ADD FEEDER REG.

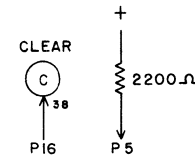
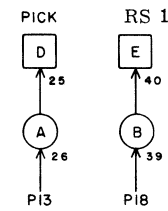
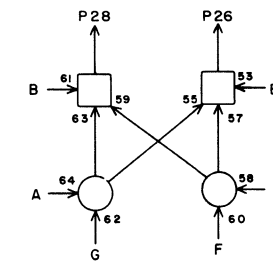
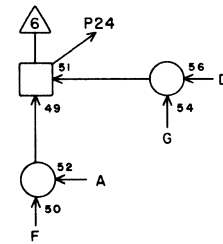
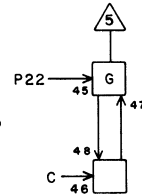


X_j

X_k



BIT 25



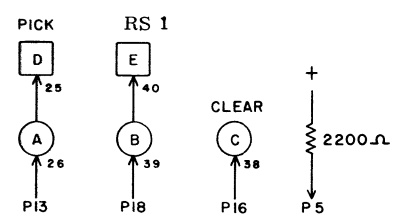
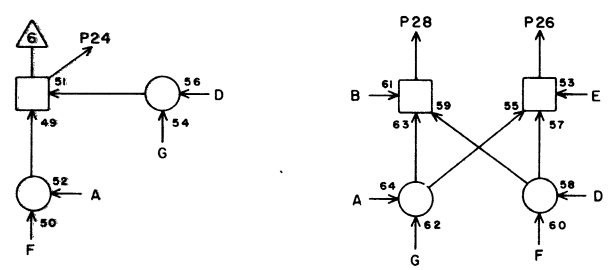
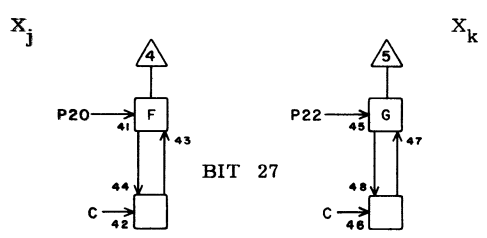
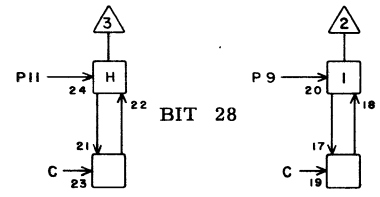
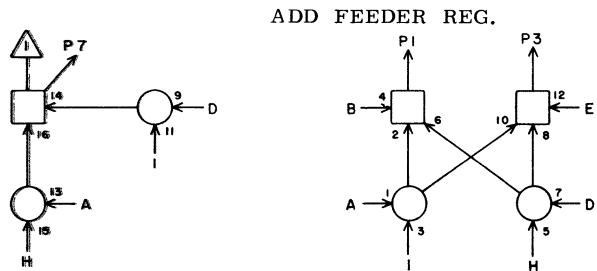
ND 8M22

1	M38	7	19
2			
3	M35	25	15
4			
.5			
6			
7	Q30	28	21
8			
9	K03	3	23
10			
11	K03	10	23
12			
13	L34	17	15
14			
15			
16	L35	17	15
17			
18	L33	17	15
19			
20	K02	22	23
21			
22	K02	25	23
23			
24	Q30	18	21
25			
26	M36	25	17
27			
28	M35	27	15

JACK PIN LG

63017200 Rev. E

8M22

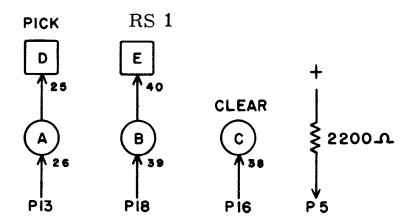
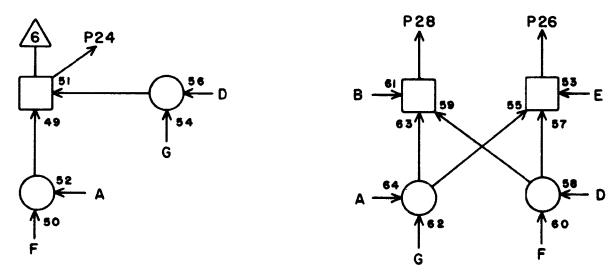
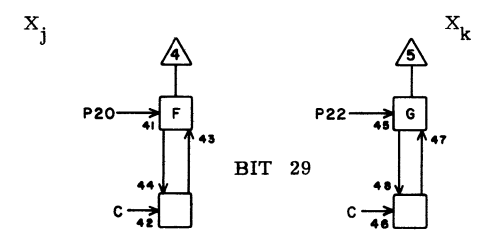
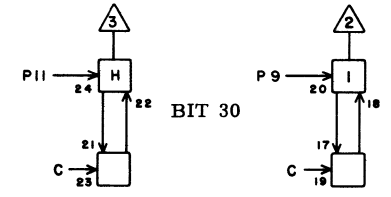
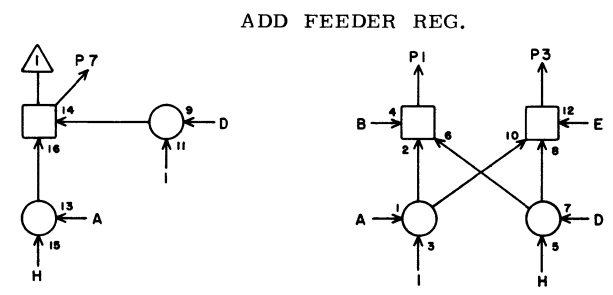


ND 8M 23

1	M38	5	17
2			
3	M37	1	17
4			
5			
6			
7	R20	28	23
8			
9	K04	3	23
10			
11	K04	10	23
12			
13	L34	18	13
14			
15			
16	L35	18	15
17			
18	L33	18	13
19			
20	K03	22	23
21			
22	K03	25	23
23			
24	R20	18	23
25			
26	M38	1	17
27			
28	M37	7	17

JACK PIN LG

63017200 Rev. E



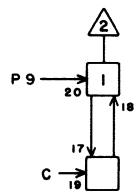
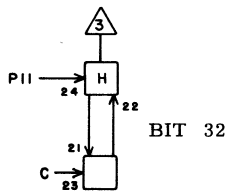
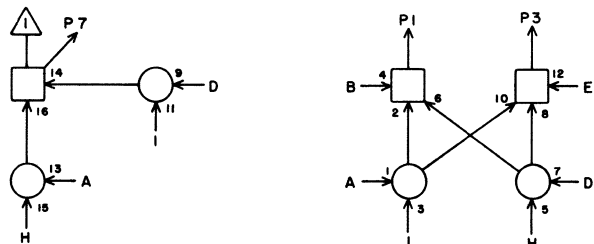
ND 8M24

1	M38	19	17
2			
3	M37	9	15
4			
5			
6			
7	R21	28	23
8			
9	K05	3	23
10			
11	K05	10	23
12			
13	L34	19	13
14			
15			
16	L35	19	15
17			
18	L33	19	13
19			
20	K04	22	23
21			
22	K04	25	23
23			
24	R21	18	23
25			
26	M38	9	17
27			
28	M37	5	15

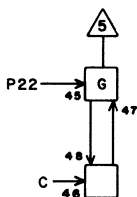
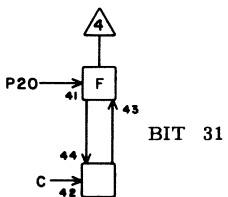
JACK PIN LG

63017200 Rev. E

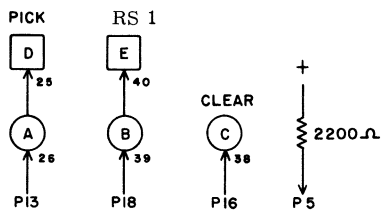
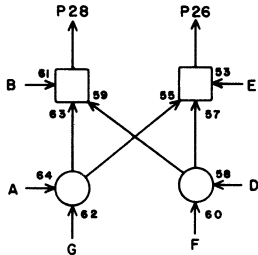
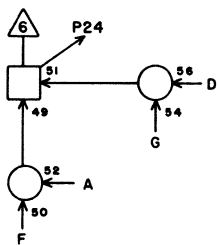
ADD FEEDER REG.



X_j



X_k



ND

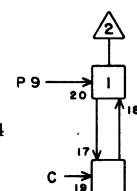
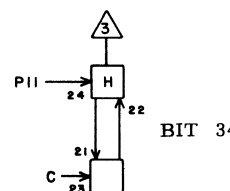
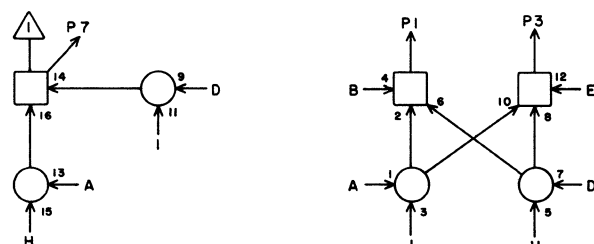
8M25

1	M38	21	15
2			
3	M37	11	15
4			
.5			
6			
7	R22	28	23
8			
9	K06	3	23
10			
11	K06	10	23
12			
13	L34	20	13
14			
15			
16	L35	20	13
17			
18	L33	20	13
19			
20	K05	22	23
21			
22	K05	25	23
23			
24	R22	18	23
25			
26	M38	11	15
27			
28	M37	19	15

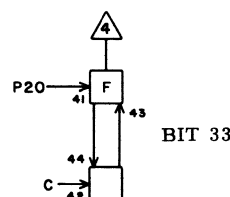
JACK PIN LG

63017200 Rev. E

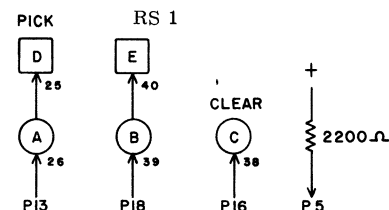
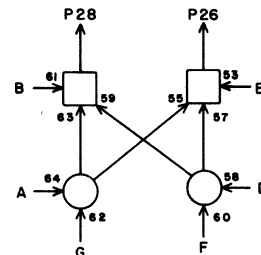
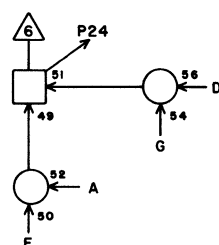
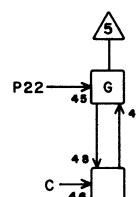
ADD FEEDER REG.



X_j



X_k



ND

8M26

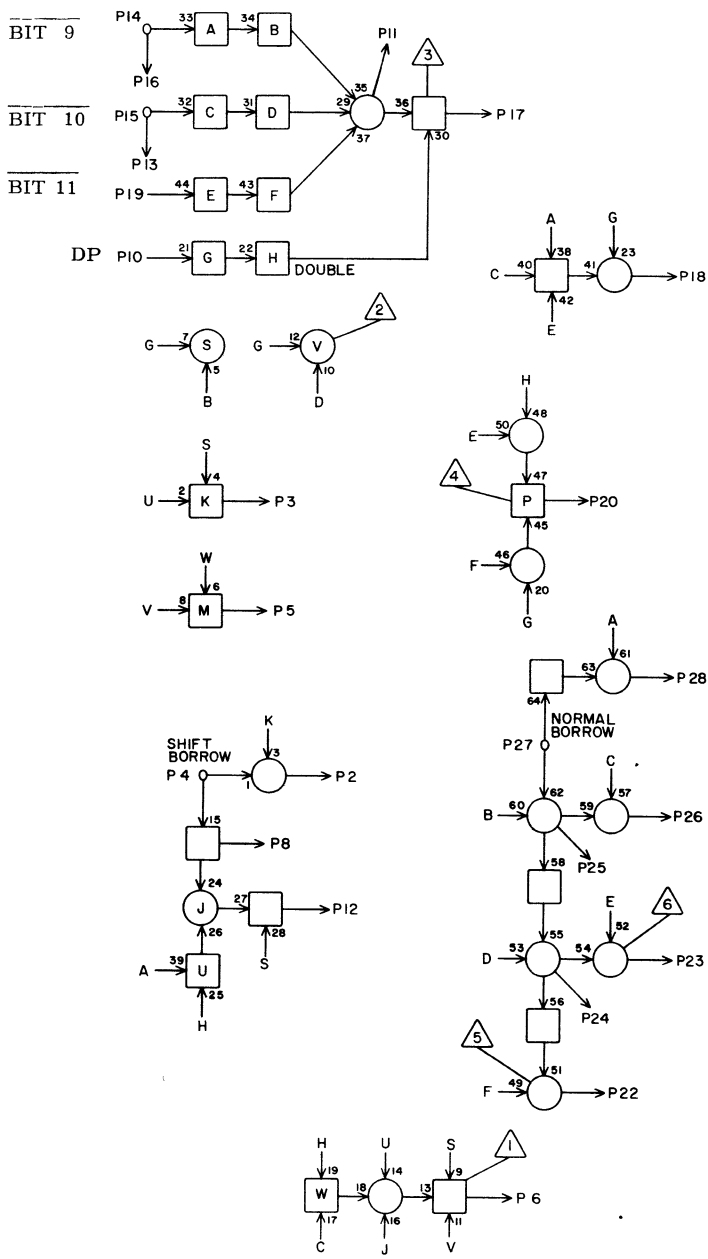
1	M38	27	15
2			
3	M37	23	13
4			
.5			
6			
7	R23	28	23
8			
9	K07	3	23
10			
11	K07	10	23
12			
13	L34	21	11
14			
15			
16	L35	21	13
17			
18	L33	21	11
19			
20	K06	22	23
21			
22	K06	25	23
23			
24	R23	18	23
25			
26	M38	23	15
27			
28	M37	21	13

JACK PIN LG

63017200 Rev. E

8M26

ADD EXPONENT ADDER



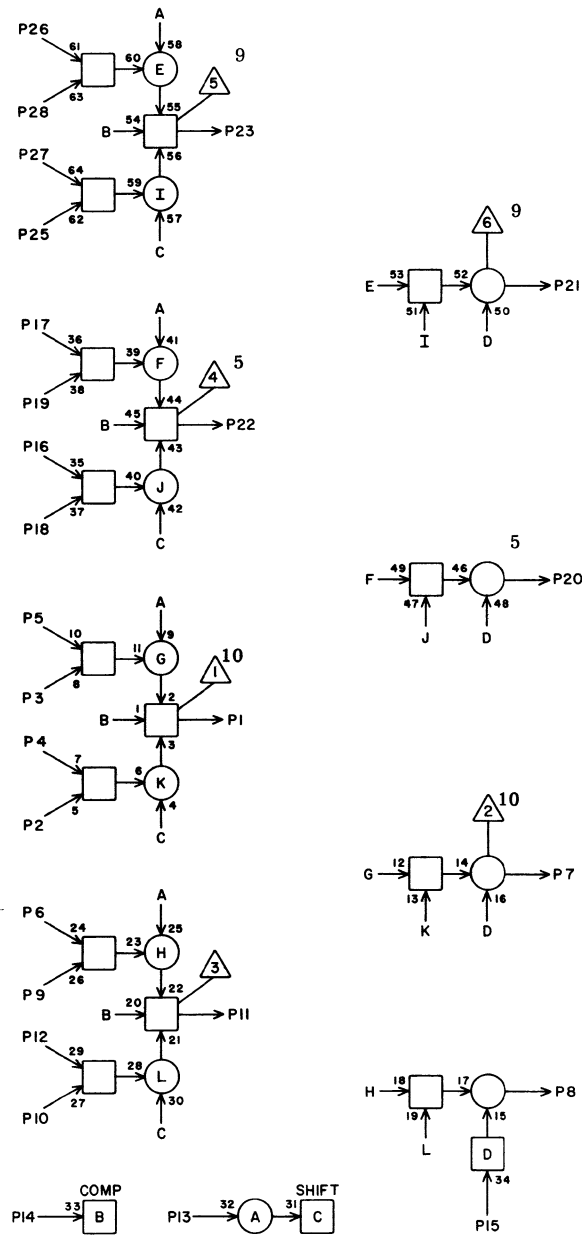
NR 8M 27

1			
2	M28	25	5
3	K29	20	11
4	L29	23	7
5	K29	27	9
6			
7			
8	K29	13	11
9			
10	D21	10	43
11	L28	6	9
12	K29	26	9
13	M27	19	3
14	K34	19	13
15	K34	15	15
16			
17	L29	25	9
18	L29	20	9
19	M27	13	3
20			
21			
22			
23			
24	K29	24	11
25	M28	26	5
26	K29	25	11
27	L28	3	11
28	M28	28	5

JACK PIN LG

63017200 Rev. E

ADD EXPONENT RESULT

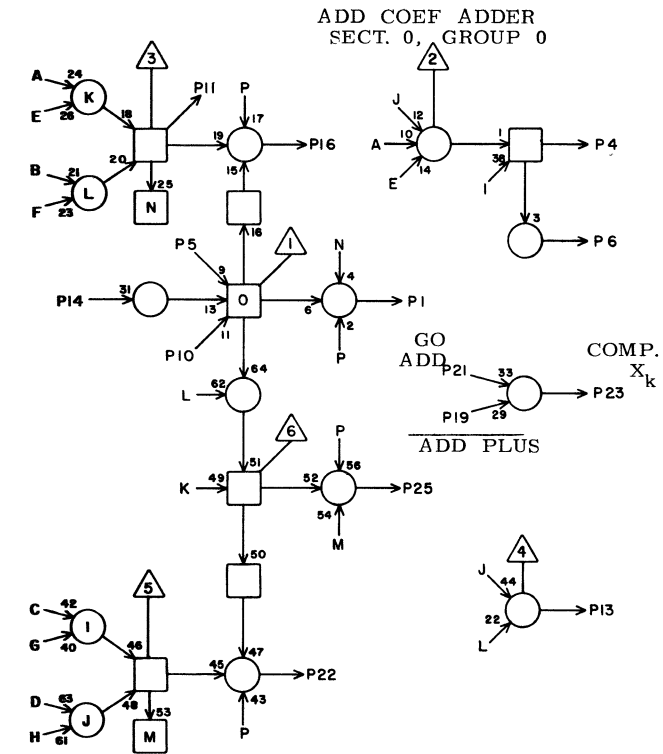


NU 8M 28

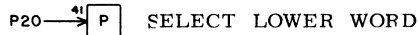
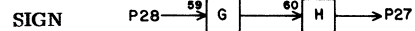
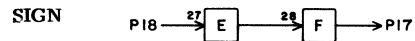
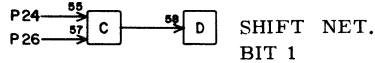
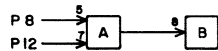
1	H16	19	23
2	L30	23	7
3			
4			
5	L30	5	7
6			
7	H16	21	25
8			
9			
10			
11			
12			
13	N27	11	7
14	K29	16	11
15	K29	18	13
16	L37	21	13
17	K29	17	13
18	L37	24	15
19	K29	15	13
20	H15	10	27
21	H16	10	27
22	H15	8	27
23	H16	8	27
24			
25	M27	2	5
26	M27	25	5
27	K29	19	13
28	M27	28	5

JACK PIN LG

63017200 Rev. E



SIGN BIT
SHIFT NET.

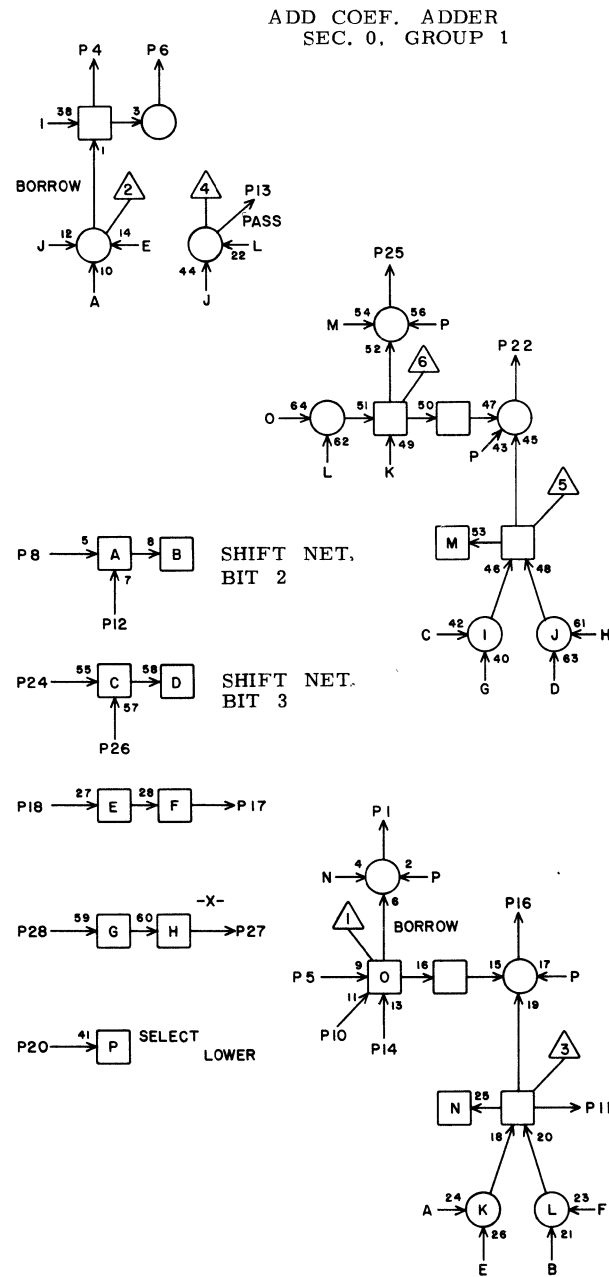


NK 8M 29

1			
2			
3			
4	N31	6	7
5			
6	M30	5	5
7			
8	Q31	28	19
9			
10			
11			
12	GND	X	2
13	N31	2	7
14	P16	24	21
15			
16			
17	M30	18	3
18	L32	1	9
19	E20	9	47
20	M17	1	15
21	F28	11	29
22	O17	1	15
23	H20	1	25
24	Q37	24	19
25	O17	3	15
26	R35	8	21
27	M30	28	3
28	L32	2	11

JACK PIN LG

63017200 Rev. P



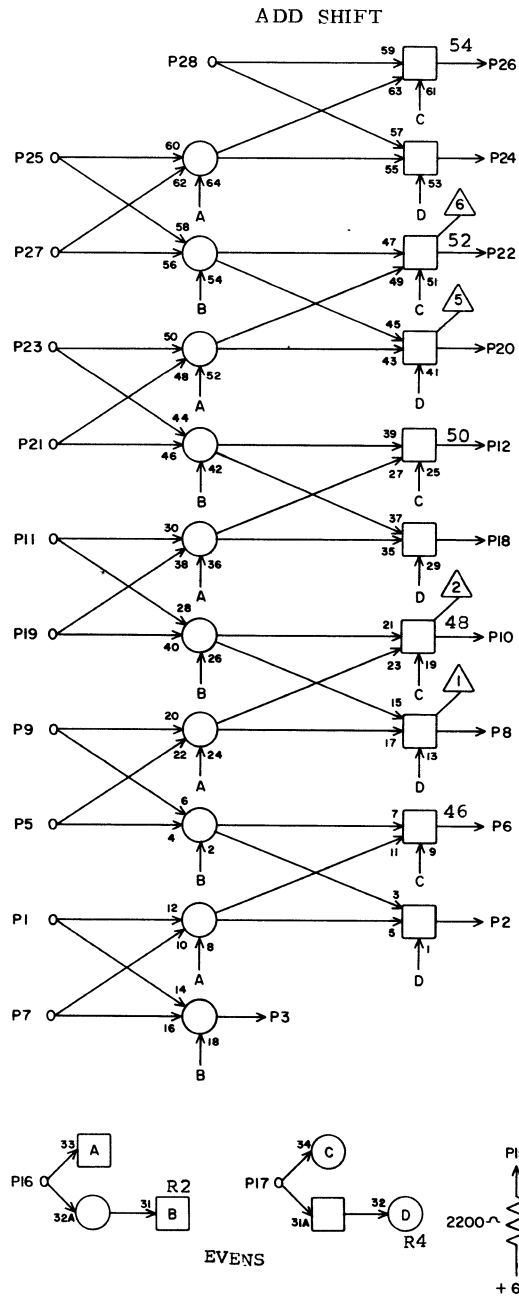
8M30

NG 8M 30

1	O17	9	17
2			
3			
4	N31	8	7
5	M29	6	5
6	N28	5	9
7			
8	Q37	6	19
9			
10	N31	1	7
11			
12	R36	22	23
13	N31	7	7
14			
15			
16	O17	11	17
17			
18	M29	17	3
19			
20	M17	2	17
21			
22	O17	17	17
23			
24	Q38	24	19
25	O17	19	17
26	R36	8	21
27			
28	M29	27	3

JACK PIN LG

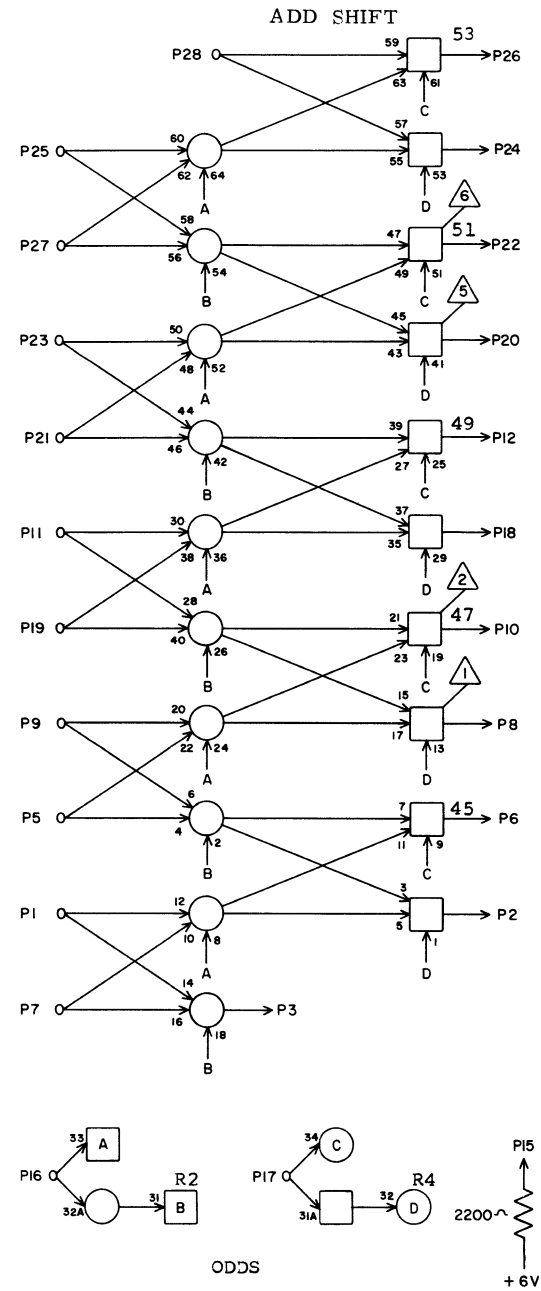
63017200 Rev. E



NE 8 **M31**

JACK	PIN	LG
1		
2	M41	9 13
3		
4		
5	K21	28 15
6	N38	5 11
7	P32	20 17
8	N36	9 11
9	K21	3 15
10	N40	5 13
11	K22	3 15
12	M41	19 13
13		
14		
15		
16	L36	15 11
17	L36	25 9
18	N38	9 11
19	K22	28 15
20	N40	9 13
21	K23	28 15
22	N36	19 9
23	K23	3 15
24	M41	11 13
25	K24	3 15
26	N38	19 11
27	K24	28 15
28	M33	3 7

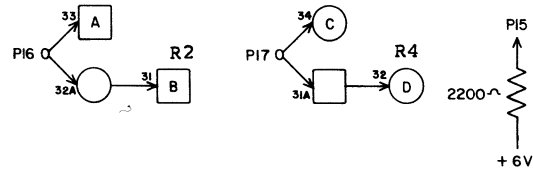
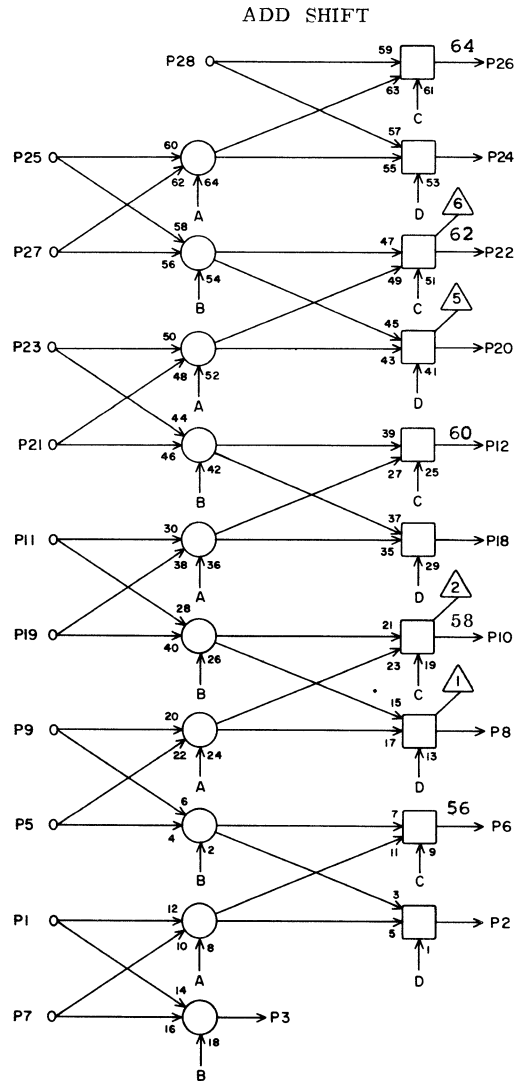
63017200 Rev. E



NE 8 **M32**

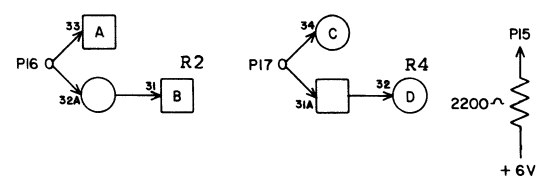
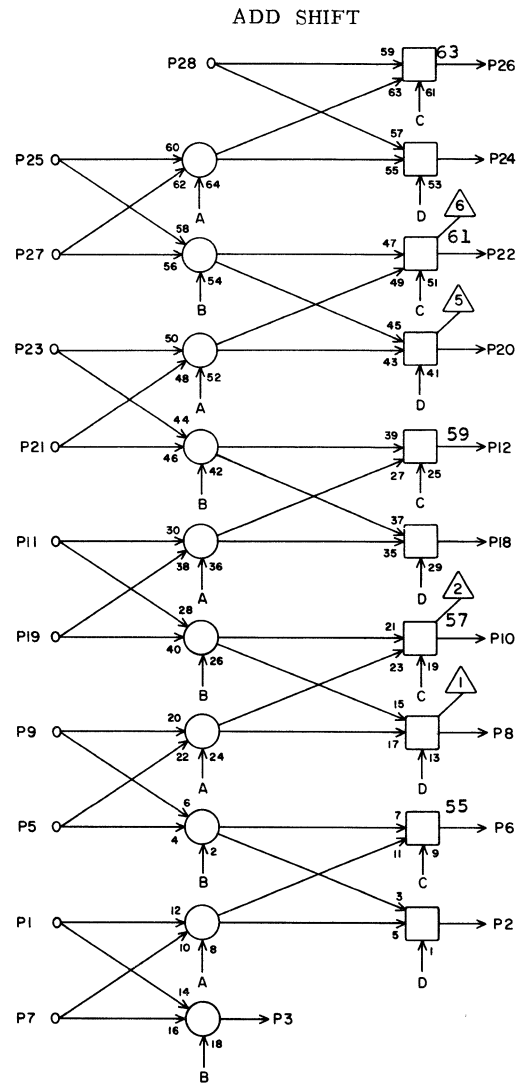
JACK	PIN	LG
1	M32	X 2
2	M42	9 13
3		
4		
5	O27	23 15
6	N39	5 11
7	P32	21 17
8	N37	9 11
9	K21	26 17
10	N41	5 13
11	K22	26 15
12	M42	19 13
13		
14		
15		
16	L36	7 11
17	L36	23 9
18	N39	9 11
19	K21	1 15
20	N41	9 13
21	K22	1 15
22	N37	19 9
23	K23	26 15
24	M42	11 13
25	K24	26 15
26	N39	19 11
27	K23	1 15
28	M34	3 7

63017200 Rev. E



NE		8M33	
JACK	PIN	LG	
1	K25	3	13
2	N36	11	9
3	M31	28	7
4			
5	K26	28	11
6	N40	19	13
7	K25	28	15
8	N38	11	11
9	K26	3	13
10	M41	21	11
11	L21	3	15
12	N36	21	9
13			
14			
15			
16	L36	6	9
17	L36	26	7
18	N40	11	11
19	L21	28	15
20	M41	23	11
21	L22	28	15
22	N38	21	11
23	L22	3	15
24	N36	23	7
25	L23	3	13
26	N40	21	11
27	L23	28	15
28	M35	3	7

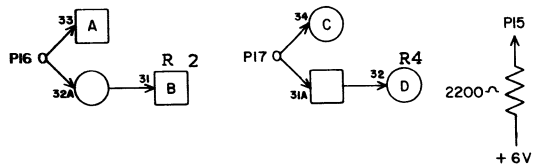
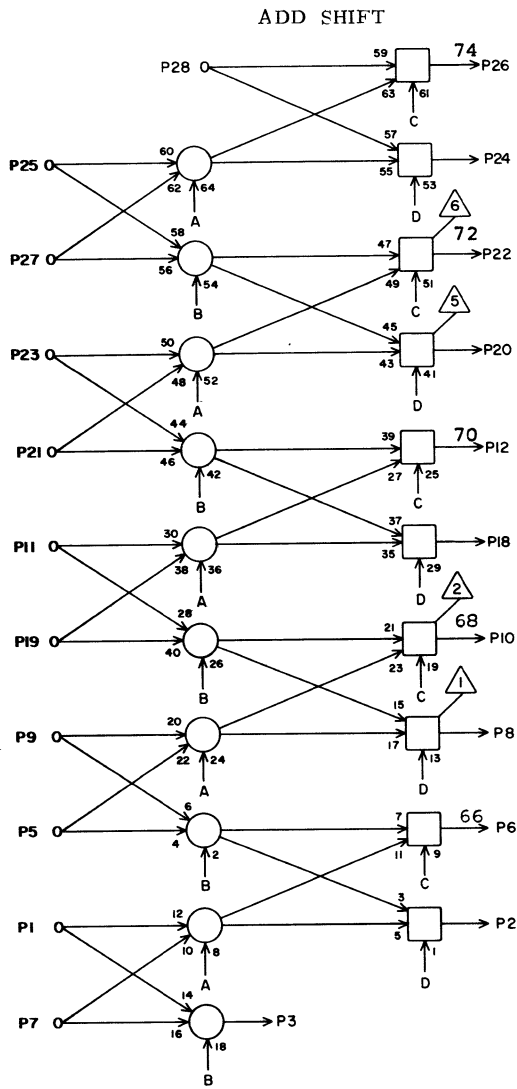
63017200 Rev. E



8M34

NE		8M34	
JACK	PIN	LG	
1	K25	26	15
2	N37	11	9
3	M32	28	7
4			
5	K25	1	15
6	N41	19	13
7	K24	1	15
8	N39	11	11
9	K26	26	15
10	M42	21	11
11	L21	26	15
12	N37	21	9
13			
14			
15			
16	L36	4	9
17	L36	24	7
18	N41	11	11
19	K26	1	15
20	M42	23	11
21	L21	1	17
22	N39	21	11
23	L22	26	15
24	N37	23	7
25	L23	26	15
26	N41	21	11
27	L22	1	15
28	M36	3	7

63017200 Rev. E

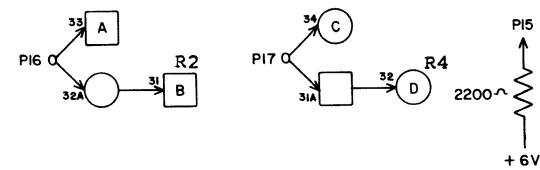
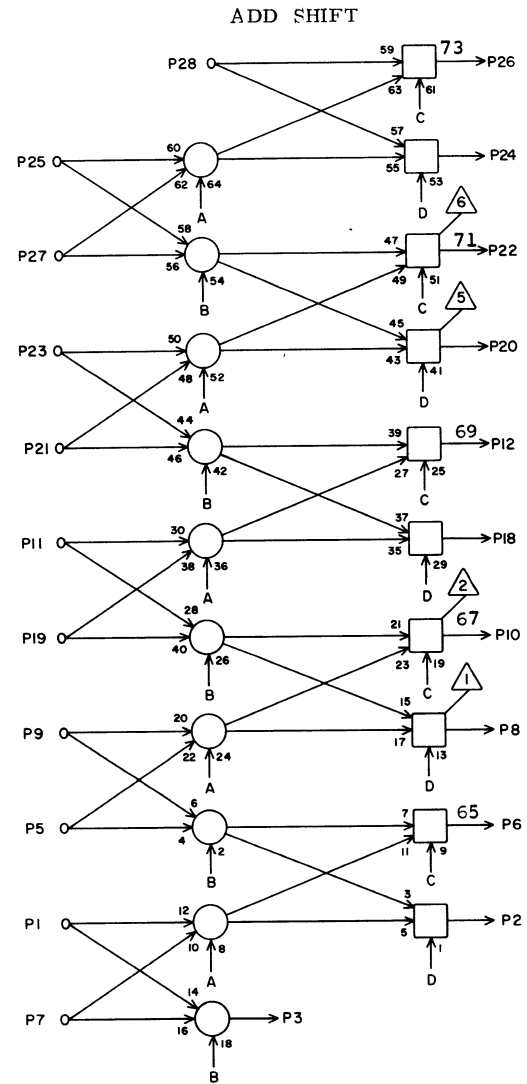


NE 8M 35

1	L24	3	15
2	N38	23	11
3	M33	28	7
4			
5	L25	28	13
6	M41	27	9
7	L24	28	15
8	N40	23	11
9	L25	3	13
10	N36	27	9
11	L26	3	13
12	N38	27	9
13			
14			
15			
16	L36	9	9
17	L36	22	7
18	M41	25	11
19	L26	28	13
20	N36	25	7
21	M21	28	17
22	N40	27	11
23	M21	3	17
24	N38	25	7
25	M22	3	15
26	N42	7	11
27	M22	28	15
28	M37	3	7

JACK PIN LG

63017200 Rev. E

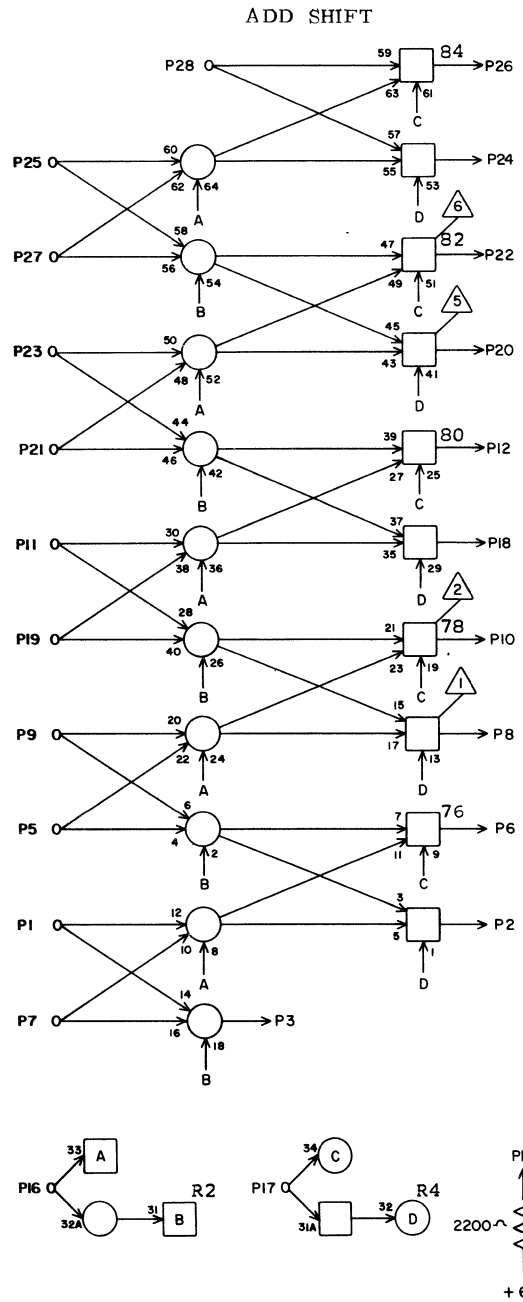


NE 8M 36

1	L24	26	15
2	N39	23	11
3	M34	28	7
4			
5	L24	1	15
6	M42	27	9
7	L23	1	17
8	N41	23	11
9	L25	26	15
10	N37	27	9
11	L26	26	13
12	N39	27	9
13			
14			
15			
16	L36	11	9
17	L36	20	7
18	M42	25	11
19	L25	1	15
20	N37	25	7
21	L26	1	13
22	N41	27	11
23	M21	26	17
24	N39	25	7
25	M22	26	17
26	O36	7	9
27	M21	1	17
28	M38	3	7

JACK PIN LG

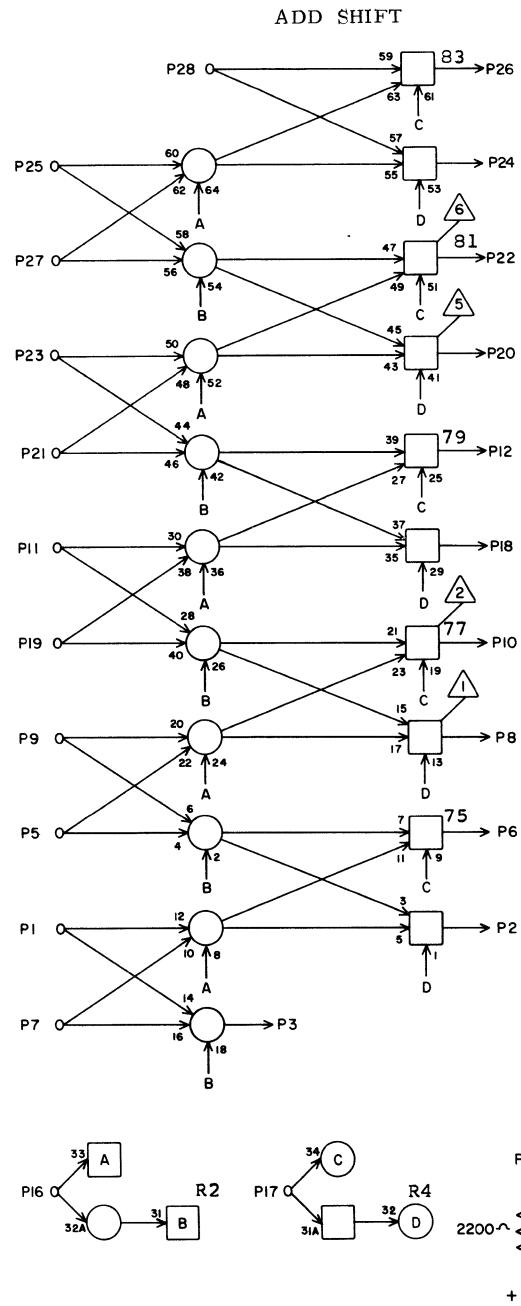
63017200 Rev. E



NE 8M 37

	JACK	PIN	LG
1	M23	3	17
2	N40	25	11
3	M35	28	7
4			
5	M24	28	15
6	O37	7	11
7	M23	28	17
8	N42	1	9
9	M24	3	15
10	O39	7	11
11	M25	3	15
12	O41	7	13
13			
14			
15			
16	L36	13	7
17	L36	18	7
18	O37	1	11
19	M25	28	15
20	O39	1	11
21	M26	28	13
22	N42	5	9
23	M26	3	13
24	O41	1	11
25	N20	3	19
26	O37	5	9
27	N20	28	19
28	M39	3	7

63017200 Rev. E



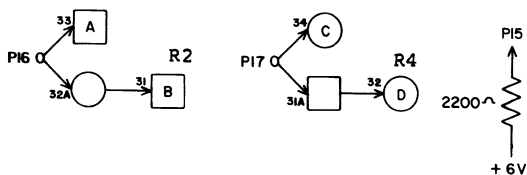
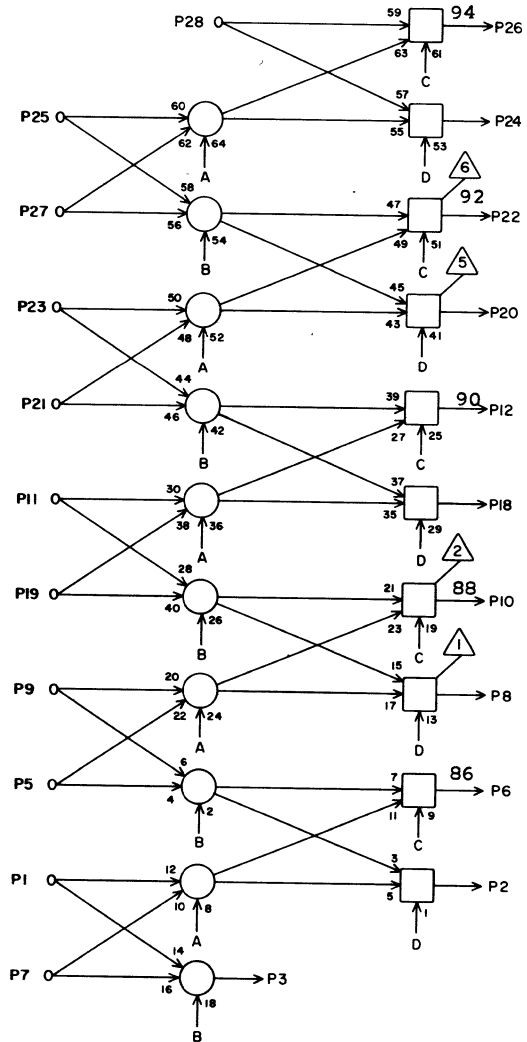
8M38

NE 8M 38

	JACK	PIN	LG
1	M23	26	17
2	N41	25	11
3	M36	28	7
4			
5	M23	1	17
6	O38	7	11
7	M22	1	19
8	O36	1	11
9	M24	26	17
10	O40	7	11
11	M25	26	15
12	O42	7	13
13			
14			
15			
16	L36	1	9
17	L36	28	7
18	O38	1	11
19	M24	1	17
20	O40	1	11
21	M25	1	15
22	O36	5	11
23	M26	26	15
24	O42	1	11
25	N20	26	19
26	O38	5	9
27	M26	1	15
28	M40	3	7

63017200 Rev. E

ADD SHIFT



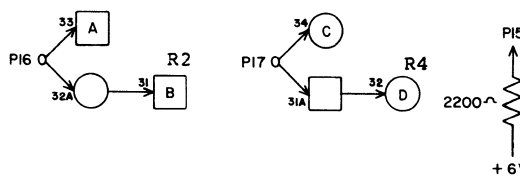
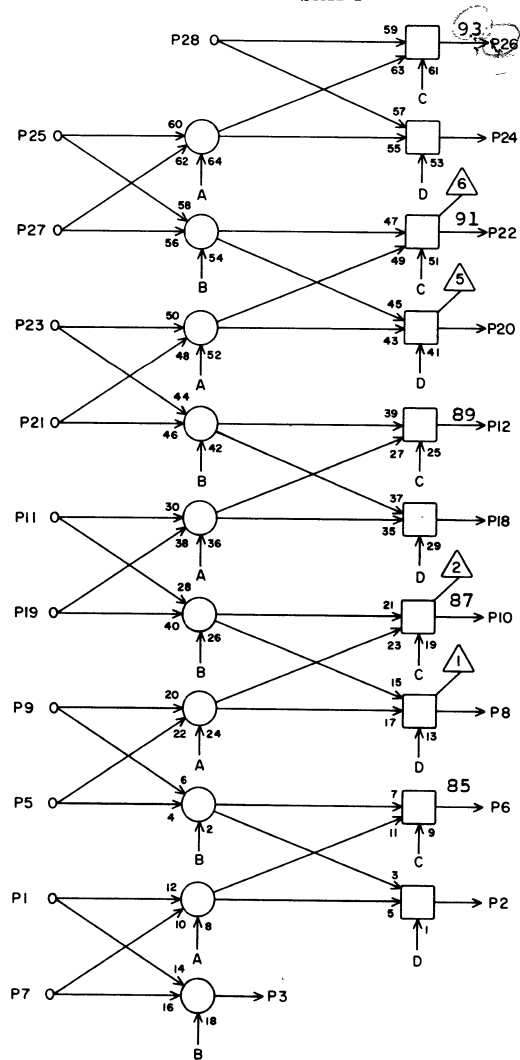
NE

8M 39

1	N21	3	21
2	N42	9	9
3	M37	28	7
4			
5	N22	28	19
6	O39	5	11
7	N21	28	19
8	O37	9	13
9	N22	3	19
10	O41	5	11
11	N23	3	19
12	N42	19	9
13			
14			
15			
16	L36	8	9
17	L36	21	9
18	O39	9	11
19	N23	28	19
20	O41	9	11
21	N24	28	17
22	O37	19	11
23	N24	3	17
24	N42	11	7
25	N25	3	17
26	O39	19	11
27	N25	28	17
28	P42	10	15

63017200 Rev. E

ADD SHIFT

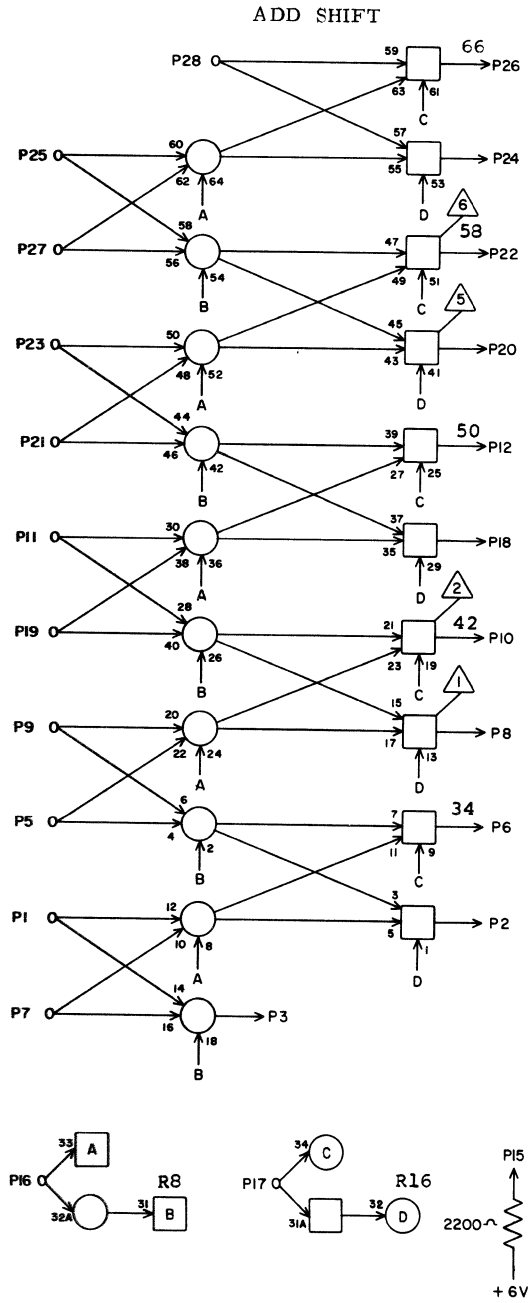


NE

8M 40

1	N21	26	21
2	O36	9	13
3	M38	28	7
4			
5	N21	1	21
6	O40	5	11
7	N20	1	23
8	O38	9	13
9	N22	26	19
10	O42	5	11
11	N23	26	19
12	O36	19	13
13			
14			
15			
16	L36	10	9
17	L36	19	9
18	O40	9	11
19	N22	1	21
20	O42	9	11
21	N23	1	19
22	O38	19	11
23	N24	26	19
24	O36	11	11
25	N25	26	17
26	O40	19	11
27	N24	1	19
28	P42	18	15

63017200 Rev. E

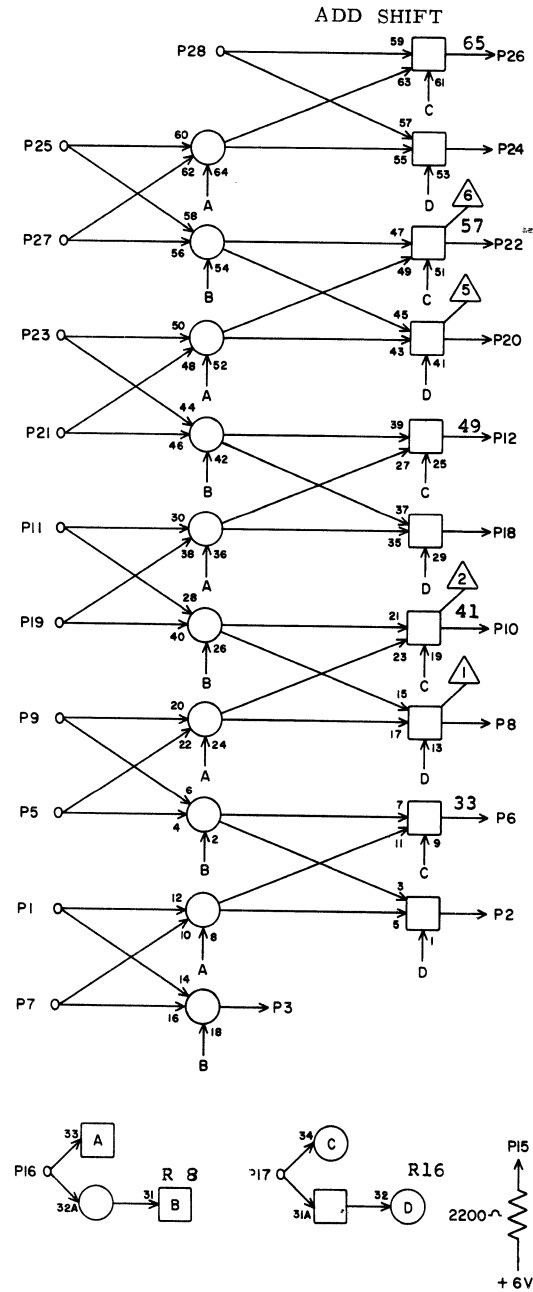


NE 8M 41

1	P32	1	17
2	P33	5	17
3			
4			
5	P37	1	13
6	Q37	3	19
7	M41	X	2
8	Q33	5	19
9	M31	2	13
10	Q41	3	19
11	M31	24	13
12	P33	11	17
13			
14			
15			
16	L39	25	7
17	L39	15	9
18	Q37	5	17
19	M31	12	13
20	Q41	5	17
21	M33	10	11
22	Q33	11	19
23	M33	20	11
24	P33	9	15
25	M35	18	11
26	Q37	11	17
27	M35	6	9
28	N42	3	7

JACK PIN LG

63017200 Rev. E



8M42

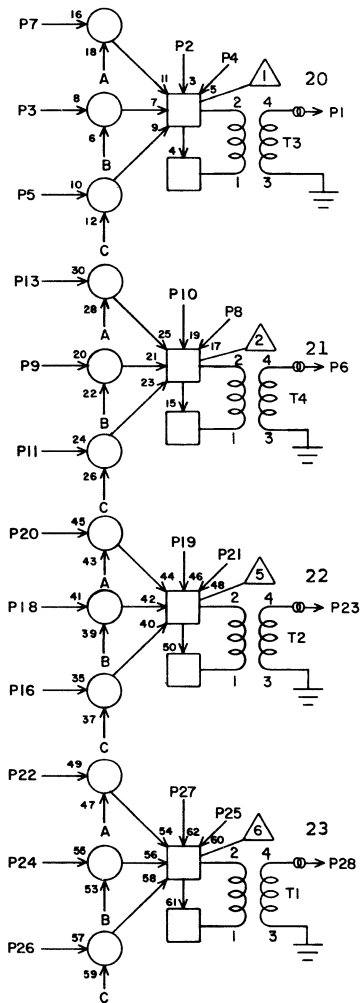
NE 8M 42

1	P32	2	19
2	P33	23	19
3			
4			
5	P37	2	13
6	Q37	25	21
7	M42	X	2
8	Q33	23	21
9	M32	2	13
10	Q41	25	19
11	M32	24	13
12	P33	21	17
13			
14			
15			
16	L39	23	9
17	L39	7	9
18	Q37	23	19
19	M32	12	13
20	Q41	23	19
21	M34	10	11
22	Q33	21	21
23	M34	20	11
24	P33	19	17
25	M36	18	11
26	Q37	21	19
27	M36	6	9
28	O36	3	11

JACK PIN LG

63017200 Rev. E

ADD TRUNK (X₁)



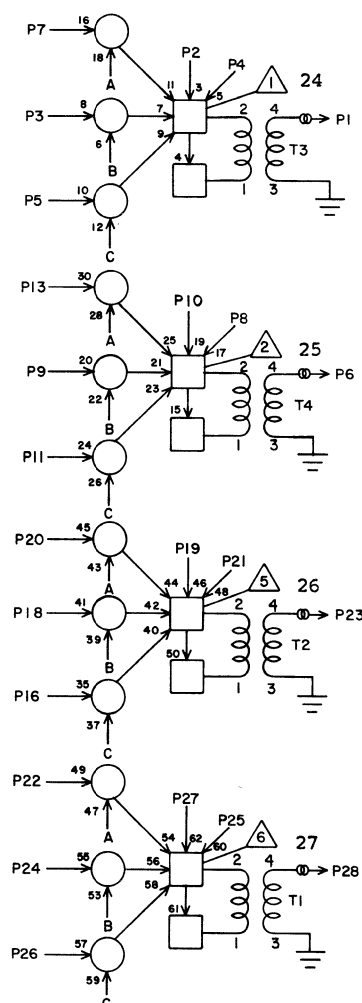
P12 → A SHIFT NORMAL
 P14 → B SHIFT COMPLEMENT
 P17 → C Long ADD

RM 8N 01

1	W25	92	
2	P19	4	21
3	I07	28	21
4	P19	12	21
5	J26	12	29
6	W25	93	
7	I07	26	21
8	P19	20	21
9	I08	12	23
10	P19	10	21
11	J27	28	29
12	N05	20	7
13	I08	14	23
14	N16	17	17
15			
16	J27	22	31
17	M06	20	9
18	I08	16	23
19	P19	22	21
20	I08	24	23
21	P19	28	21
22	I08	26	23
23	W25	94	
24	I08	28	23
25	Q17	2	19
26	J27	12	31
27	P19	26	21
28	W25	95	

JACK PIN LG

ADD TRUNK (X₁)



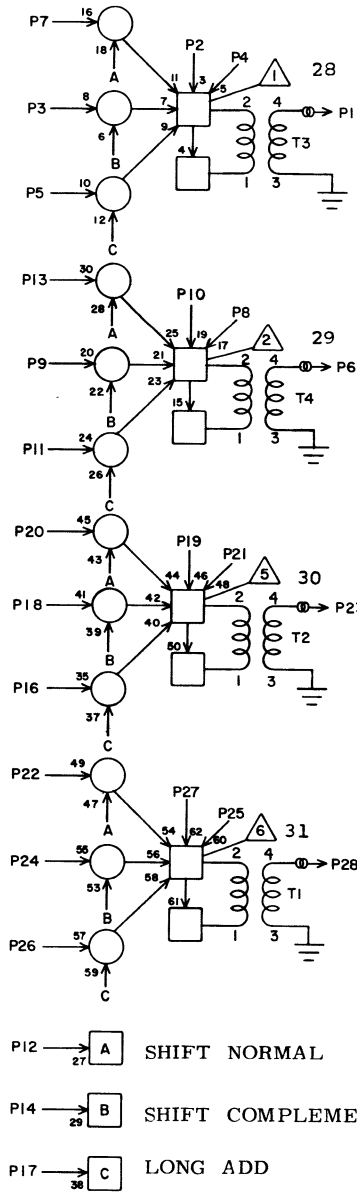
P12 → A SHIFT NORMAL
 P14 → B SHIFT COMPLEMENT
 P17 → C LONG ADD

RM 8N 02

1	W25	96	
2	Q17	4	21
3	I09	12	23
4	Q17	12	21
5	J28	28	29
6	W25	97	
7	I09	14	23
8	Q17	20	21
9	I09	16	23
10	Q17	10	21
11	J28	22	31
12	N05	19	7
13	I09	24	23
14	N16	18	17
15			
16	J28	12	31
17	M06	19	9
18	I09	28	23
19	Q17	22	21
20	I09	26	23
21	Q17	28	21
22	I10	14	25
23	W25	98	
24	I10	12	25
25	Q18	2	19
26	J29	28	31
27	Q17	26	21
28	W25	99	

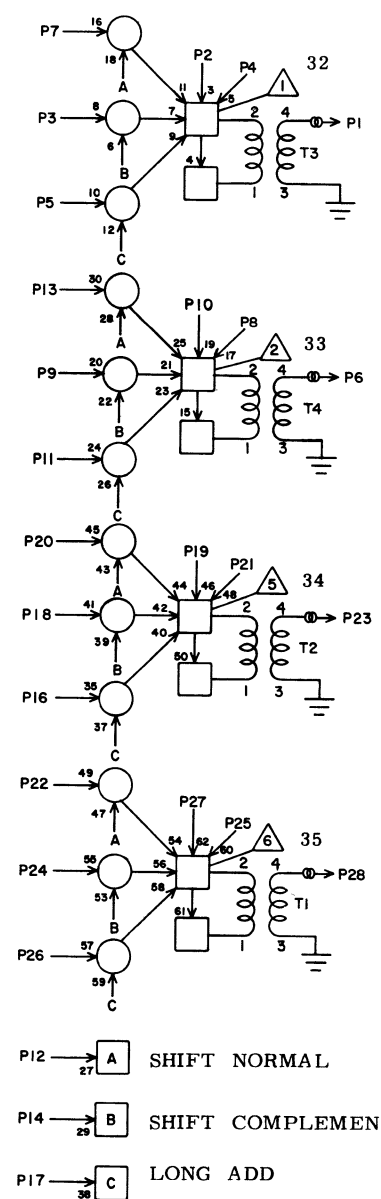
JACK PIN LG

ADD TRUNK (X₁)



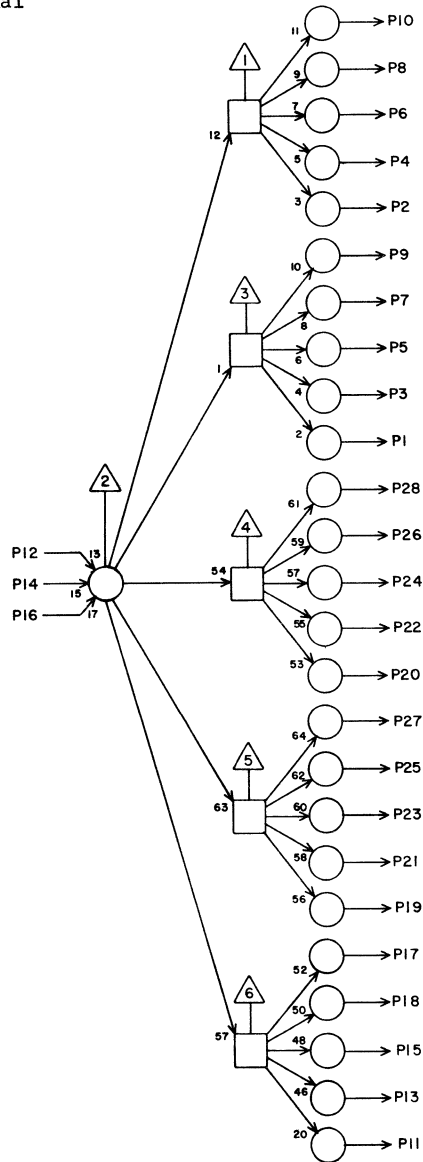
RM		8N 03	
1	W25	900	
2	Q18	4	21
3	I10	16	23
4	Q18	12	21
5	J29	22	29
6	W25	901	
7	I10	24	21
8	Q18	20	21
9	I10	28	21
10	Q18	10	21
11	J29	12	31
12	N05	27	7
13	I10	26	23
14	N16	19	17
15			
16	J30	28	31
17	M06	27	7
18	I11	12	25
19	Q18	22	21
20	I11	14	23
21	Q18	28	21
22	I11	24	23
23	W25	902	
24	I11	16	25
25	Q19	2	19
26	J30	22	31
27	Q18	26	21
28	W25	903	
	JACK	PIN	LG

ADD TRUNK (X₁)



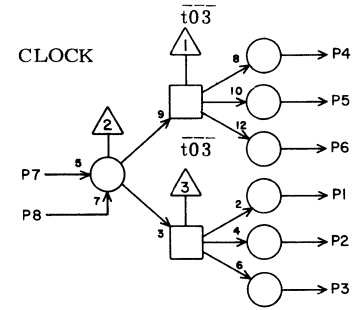
RM		8N 04	
1	W25	904	
2	Q19	4	21
3	I11	28	21
4	Q19	12	21
5	J30	12	29
6	W25	905	
7	I11	26	21
8	Q19	20	21
9	I12	12	23
10	Q19	10	21
11	J31	28	31
12	N05	22	5
13	I12	14	23
14	N16	20	15
15			
16	J31	22	31
17	M06	22	7
18	I12	16	23
19	Q19	22	21
20	I12	24	23
21	Q19	28	21
22	I12	26	23
23	W25	906	
24	I12	28	27
25	R17	2	19
26	J31	12	31
27	Q19	26	21
28	W25	907	
	JACK	PIN	LG

Transmit
Shift
Normal



CA			
8N 05			
JACK	PIN	LG	
1			
2			
3			
4			
5			
6			
7			
8	MO2	12	9
9	MO4	12	7
10	MO3	12	9
11	MO1	12	9
12			
13			
14	H24	13	29
15			
16	I19	25	120
17	MO5	12	9
18			
19	N02	12	7
20	N01	12	7
21	H12	12	27
22	N04	12	5
23	H11	12	27
24	H13	12	29
25			
26			
27	N03	12	7
28			

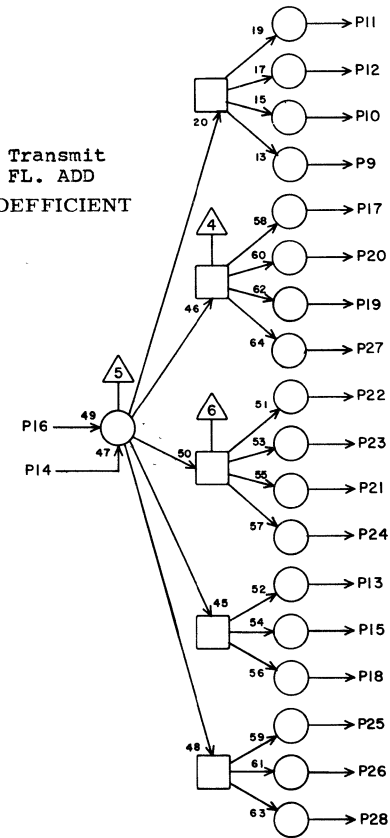
63017200 Rev. E



CB			
8N 06			
JACK	PIN	LG	
1	G33	5	43
2	G33	12	37
3	G33	25	37
4	G33	6	43
5			
6			
7	J18	4	180
8			
9	P18	14	17
10	R17	14	23
11	P19	14	17
12	R18	14	23
13	Q17	14	19
14			
15	O17	14	15
16	K42 A24	20 23	36 57
17	Q18	14	19
18	R19	14	21
19	P17	14	15
20	O19	14	17
21	O18	14	15
22	Q19	14	19
23	H24	7	120
24			
25			
26			
27			
28			

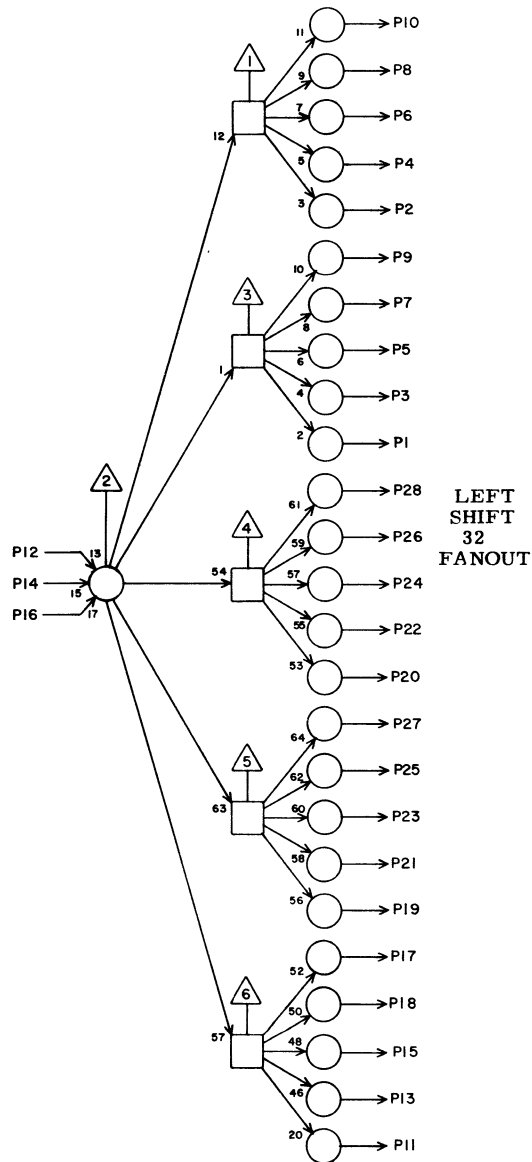
63017200 Rev. E

Transmit
FL. ADD
COEFFICIENT



8N06

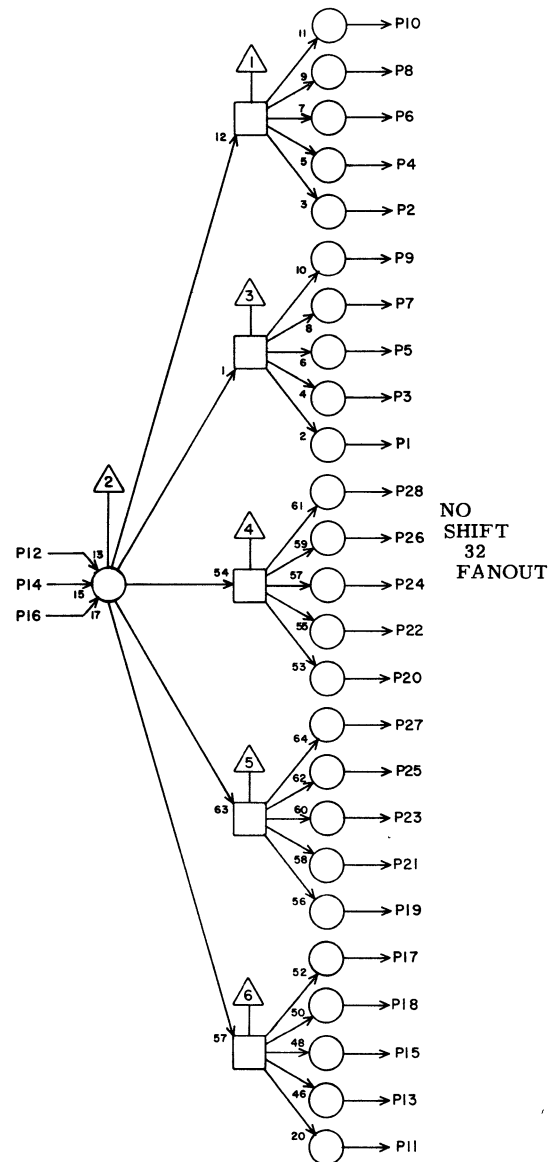
SHIFT DIRECTION CONTROL
(SHIFT UNIT)



CA		8N 07	
JACK	PIN	LG	
1	001	28	13
2	002	28	11
3	003	28	11
4	004	28	11
5	005	28	11
6	006	28	9
7	007	28	9
8	008	28	9
9	009	28	9
10	010	28	9
11	011	28	9
12	I18	21	25
13	O12	28	11
14	I17	11	25
15	O13	28	11
16	N07	X	2
17	O14	28	11
18	O15	28	13
19	P01	28	15
20	P02	19	13
21	P03	19	13
22	P04	19	11
23	P05	19	11
24			
25			
26			
27			
28			

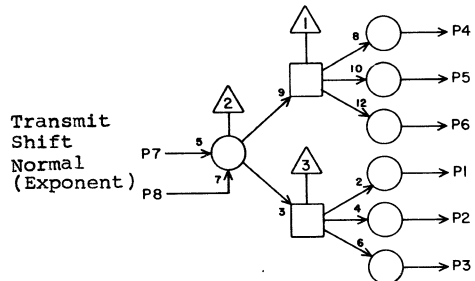
63017200 Rev. E

SHIFT DIRECTION CONTROL
(SHIFT UNIT)

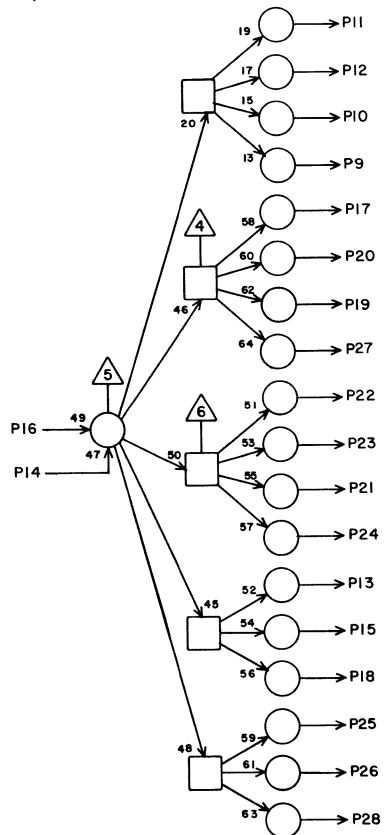


CA		8N 08	
JACK	PIN	LG	
1	001	15	13
2	002	15	11
3	003	15	11
4	004	15	9
5	005	15	9
6	006	15	9
7	007	15	9
8	008	15	9
9	009	15	9
10	010	15	9
11	011	15	9
12	L11	2	23
13	O12	15	9
14	I19	15	25
15	O13	15	9
16	N08	X	2
17	Q14	15	11
18	O15	15	11
19	P01	15	13
20	P02	24	13
21	P03	24	13
22	P04	24	13
23	P05	24	13
24			
25			
26			
27			
28	H09	2	27

63017200 Rev. P



SHIFT DIRECTION CONTROL
(SHIFT UNIT)

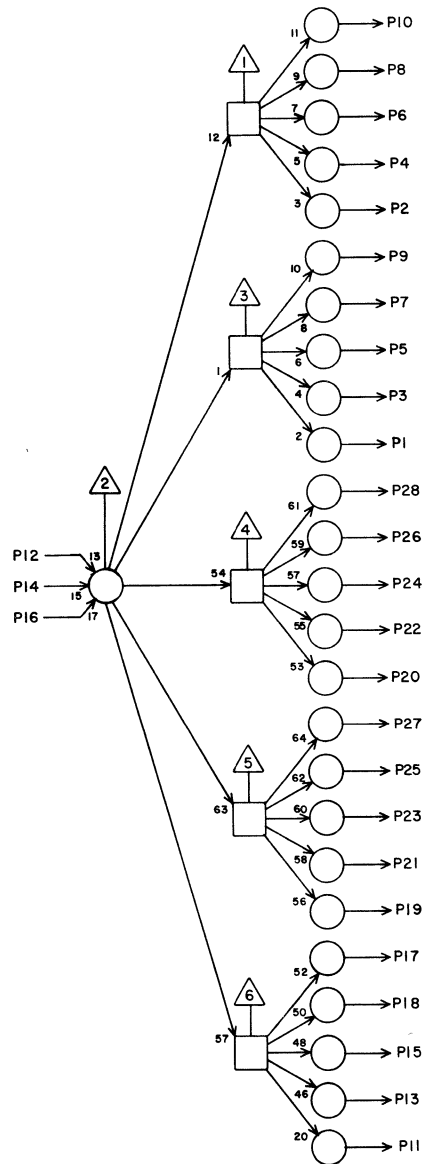


RIGHT
SHIFT
32
FANOUT

CB		8N 09	
JACK	PIN	LG	
1	H14	12	25
2	H15	12	25
3	H16	12	25
4			
5			
6			
7	H24	17	27
8	I19	21	120
9	I24	21	27
10	O10	27	9
11	O11	27	9
12	O09	27	9
13	O12	27	11
14	I17	6	25
15	O13	27	11
16	I18	22	25
17	O14	27	11
18	O15	27	13
19	P01	27	15
20	O01	27	15
21	O02	27	13
22	O03	27	11
23	O04	27	11
24	O05	27	9
25	O06	27	9
26	O07	27	9
27	O08	27	7
28	I25	23	27

63017200 Rev. S

SHIFT DIRECTION CONTROL
(SHIFT UNIT)

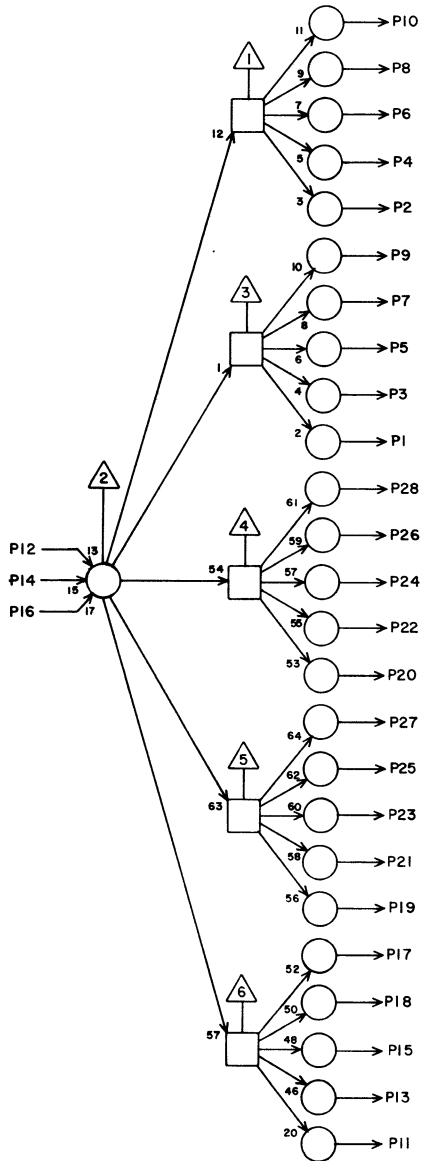


LEFT
SHIFT
1
FANOUT

CA		8N 10	
JACK	PIN	LG	
1	Q11	4	15
2	Q12	4	15
3	Q13	4	15
4	Q14	4	15
5	Q15	4	15
6	R01	4	21
7	R02	4	19
8	R03	4	19
9	R04	4	19
10	R05	4	19
11	R06	4	19
12	I18	8	25
13	R07	4	19
14	I17	9	25
15	R08	4	19
16	N10	X	2
17	R09	4	19
18	R10	4	19
19	R11	4	19
20	R12	4	19
21	R13	4	19
22	R14	4	19
23	R15	4	17
24			
25			
26			
27			
28			

63017200 Rev. E

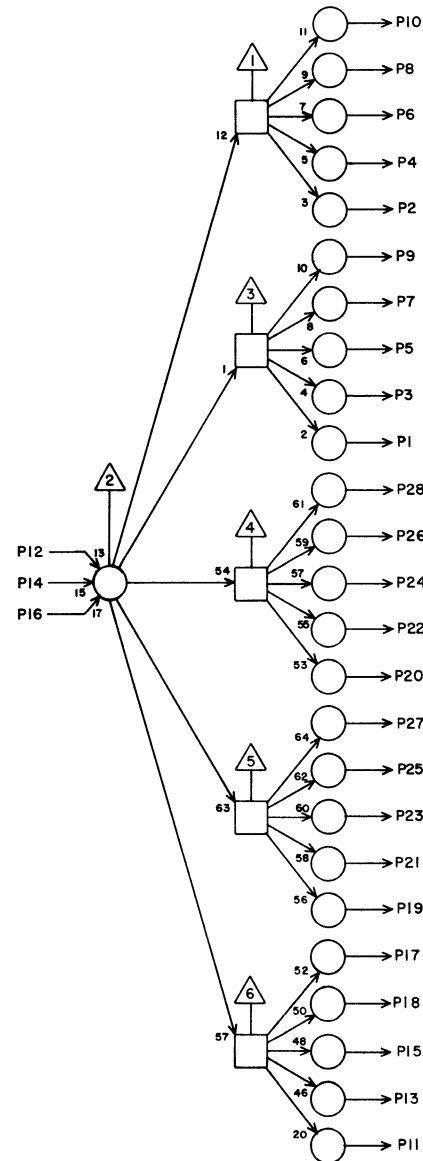
SHIFT DIRECTION CONTROL
(SHIFT UNIT)



NO SHIFT
1
FANOUT

CA		8N 11	
JACK	PIN	LG	
1	Q11	2	15
2	Q12	2	15
3	Q13	2	15
4	Q14	2	15
5	Q15	2	15
6	R01	2	21
7	R02	2	21
8	R03	2	19
9	R04	2	19
10	R05	2	19
11	R06	2	19
12	L09	9	23
13	R07	2	19
14	N11	X	2
15	R08	2	19
16	N11	X	2
17	R09	2	17
18	R10	2	17
19	R11	2	17
20	R12	2	17
21	R13	2	17
22	R14	2	17
23	R15	2	17
24			
25			
26			
27			
28			

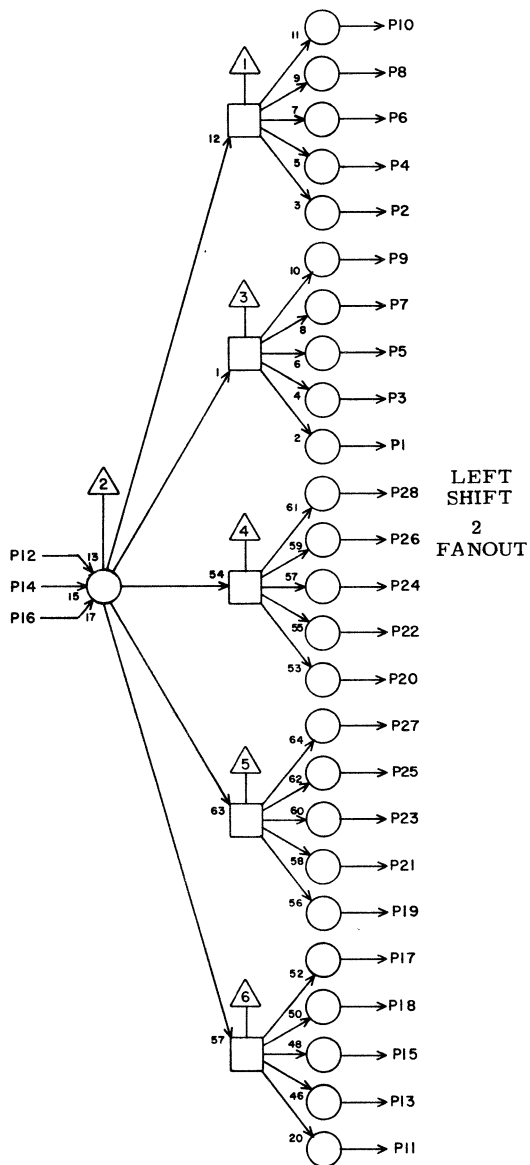
SHIFT DIRECTION CONTROL
(SHIFT UNIT)



RIGHT
SHIFT
1
FANOUT

CA		8N 12	
JACK	PIN	LG	
1	Q11	13	17
2	Q12	13	17
3	Q13	13	15
4	Q14	13	15
5	Q15	13	15
6	R01	13	21
7	R02	13	21
8	R03	13	21
9	R04	13	21
10	R05	13	21
11	R06	13	19
12	I18	14	23
13	R07	13	19
14	I17	4	23
15	R08	13	19
16	N12	X	2
17	R09	13	19
18	R10	13	19
19	R11	13	19
20	R12	13	19
21	R13	13	19
22	R14	13	19
23	R15	13	19
24	I25	8	27
25			
26			
27			
28			

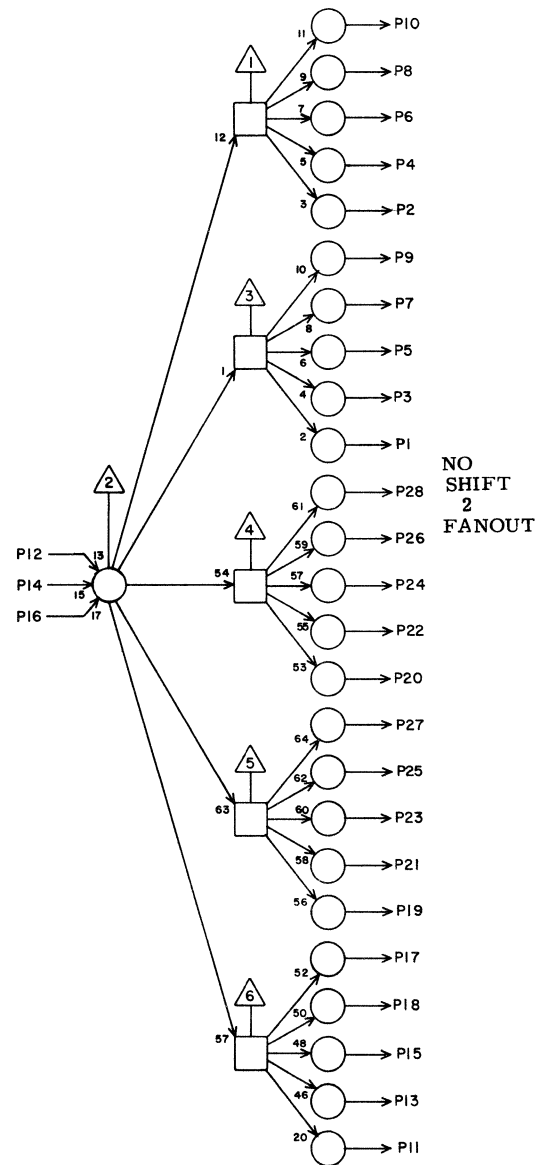
SHIFT DIRECTION CONTROL
(SHIFT UNIT)



CA		8N 13	
JACK	PIN	LG	
1	Q11	28	17
2	Q12	28	17
3	Q13	28	17
4	Q14	28	17
5	Q15	28	17
6	R01	28	23
7	R02	28	23
8	R03	28	23
9	R04	28	23
10	R05	28	21
11	R06	28	21
12	I18	9	23
13	R07	28	21
14	I17	7	23
15	R08	28	21
16	N13	X	2
17	R09	28	19
18	R10	28	19
19	R11	28	19
20	R12	28	19
21	R13	28	19
22	R14	28	19
23	R15	28	19
24			
25			
26			
27			
28			

63017200 Rev. E

SHIFT DIRECTION CONTROL
(SHIFT UNIT)

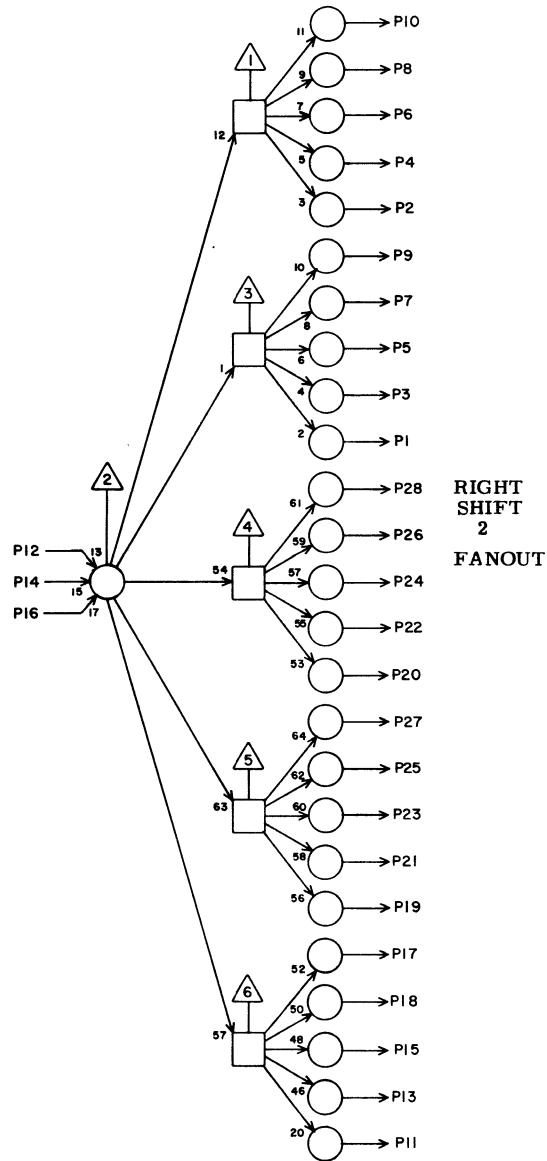


CA		8N 14	
JACK	PIN	LG	
1	Q11	15	17
2	Q12	15	17
3	Q13	15	17
4	Q14	15	17
5	Q15	15	15
6	R01	15	23
7	R02	15	23
8	R03	15	21
9	R04	15	21
10	R05	15	21
11	R06	15	21
12	L09	2	23
13	R07	15	19
14	N14	X	2
15	R08	15	19
16	N14	X	2
17	R09	15	19
18	R10	15	19
19	R11	15	19
20	R12	15	19
21	R13	15	19
22	R14	15	19
23	R15	15	17
24			
25			
26			
27			
28			

63017200 Rev. E

8N14

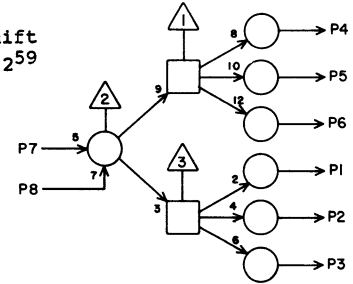
SHIFT DIRECTION CONTROL
(SHIFT UNIT)



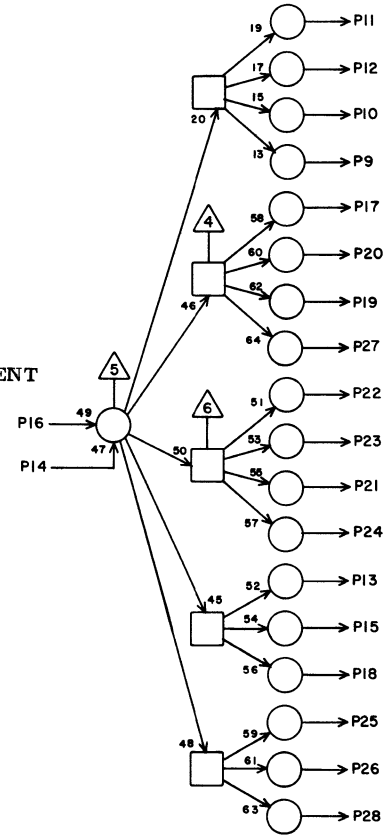
		8N 15	
JACK	PIN	LG	
1	Q11	27	17
2	Q12	27	17
3	Q13	27	17
4	Q14	27	17
5	Q15	27	17
6	RO1	27	25
7	RO2	27	23
8	RO3	27	23
9	RO4	27	23
10	RO5	27	23
11	RO6	27	21
12	I18	5	23
13	RO7	27	21
14	I17	2	23
15	RO8	27	21
16	N15	X	2
17	RO9	27	21
18	R10	27	19
19	R11	27	19
20	R12	27	19
21	R13	27	19
22	R14	27	19
23	R15	27	19
24	I25	22	25
25			
26			
27			
28			

63017200 Rev. E

Transmit Shift
Comp 2⁴⁸ - 2⁵⁹



TRANSMIT SHIFT
COMPLEMENT
2⁰⁻² 2⁴⁷

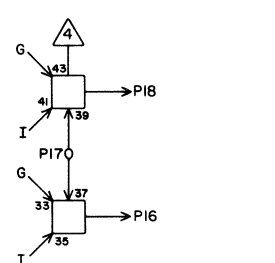
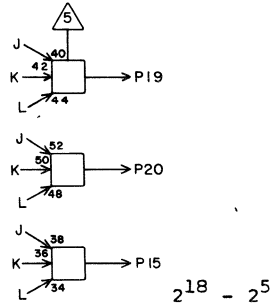
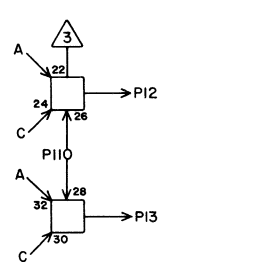
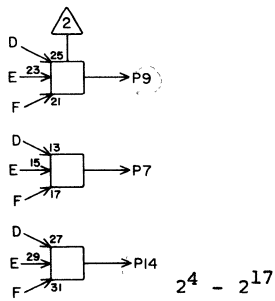
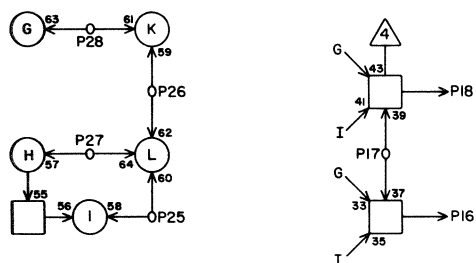
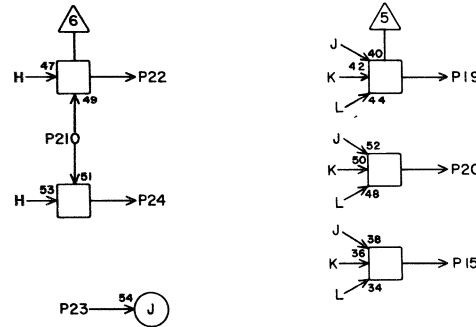
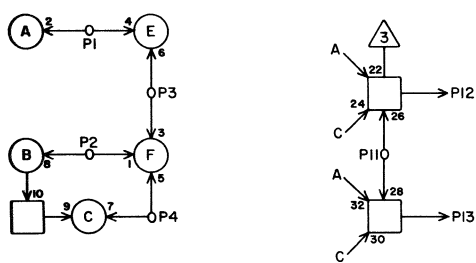
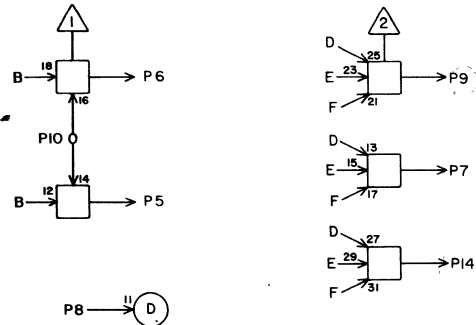


CB 8N 16

JACK	PIN	LG	
1	H14	14	25
2	H15	14	25
3	H16	14	25
4			
5			
6			
7	H24	15	27
8	I19	26	120
9	M01	14	17
10	M02	14	17
11	M03	14	17
12			
13	M04	14	17
14	H24	12	25
15	M05	14	15
16	I19	28	120
17	N01	14	17
18	N02	14	17
19	N03	14	17
20	N04	14	15
21	H11	14	27
22	H12	14	27
23	H13	14	27
24			
25			
26			
27			
28			

63017200 Rev. E

ADD COEF. ADDER
SEC. 0-5 PASS & CARRIES



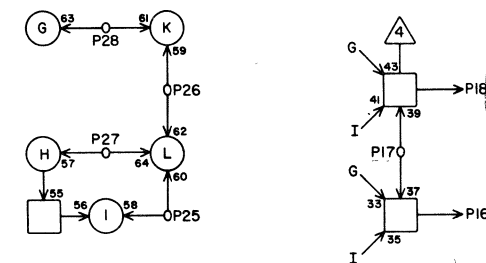
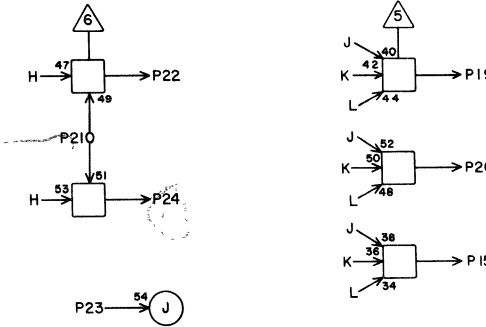
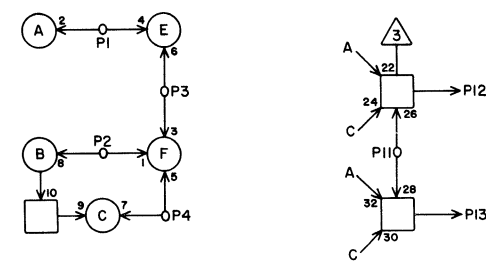
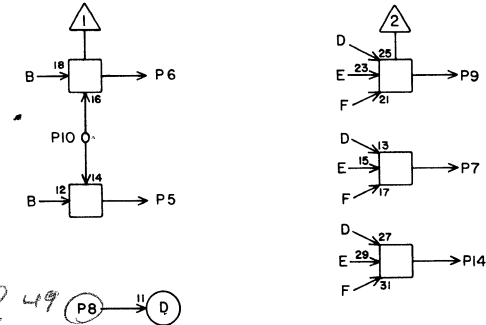
MH 8N17

1	N31	18	15
2	N31	11	17
3	N32	13	17
4	N31	16	17
5	N31	24	17
6	N29	14	15
7	P16	11	13
8	N32	11	17
9	Q16	8	15
10	P16	26	13
11	P16	28	13
12	O21	14	9
13	N32	3	17
14	R16	10	19
15	R16	9	17
16	N33	24	19
17	P16	1	11
18	O30	14	15
19	Q16	17	15
20	P16	12	11
21	P16	14	11
22	N33	3	19
23	N33	18	17
24	O27	14	13
25	N33	13	17
26	N33	16	19
27	N32	18	17
28	N33	11	19

JACK PIN LG

63017200 Rev. E

ADD COEF. ADDER
SECT. 6-11 PASS & CARRIES



MH 8N18

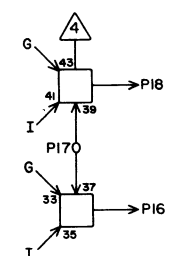
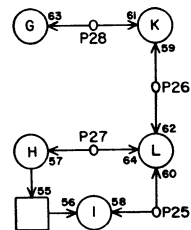
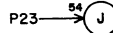
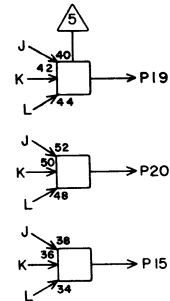
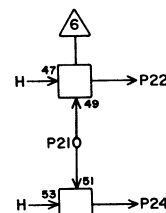
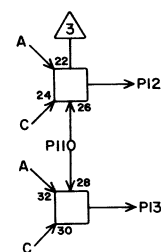
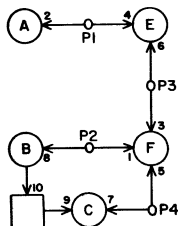
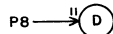
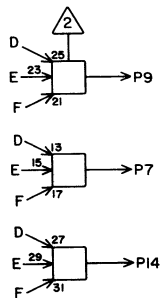
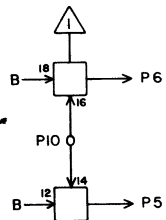
1	N34	18	19
2	N34	11	19
3	N35	13	19
4	N34	16	19
5	N34	24	19
6	P25	14	15
7	P16	10	13
8	N35	11	19
9	Q16	11	17
10	Q16	26	17
11	Q16	28	17
12	P28	2	15
13	N35	3	19
14	R16	8	19
15	R16	17	19
16	O33	24	17
17	Q16	1	15
18	Q26	14	17
19	Q16	12	15
20	P16	9	11
21	Q16	14	15
22	O33	3	19
23	O33	18	17
24	Q23	14	15
25	O33	13	17
26	O33	16	17
27	N35	18	19
28	O33	11	19

JACK PIN LG

63017200 Rev. E

8N18

ADD COEF. ADDER
SECT. 12-UP PASS AND CARRIES



$2^{90} - 2^{107}$

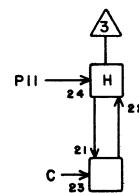
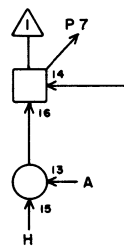
$2^{90} - 2^{89}$

MH		8N19	
1	O34	18	19
2	O34	11	19
3	O35	13	19
4	O34	16	19
5	O34	24	19
6	R21	14	19
7	P16	8	13
8	O35	11	19
9	Q16	10	17
10	R16	26	21
11	R16	28	21
12	R24	14	19
13	O35	3	17
14	R16	11	19
15	R16	12	19
16	O31	14	15
17	R16	1	19
18	N27	18	13
19	Q16	9	15
20	P16	17	13
21	R16	14	19
22	N27	20	11
23	N36	15	19
24	R30	2	21
25	D14	4	41
26			
27	O35	18	17
28	R30	18	19

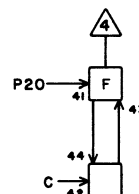
JACK PIN LG

63017200 Rev. E

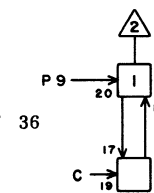
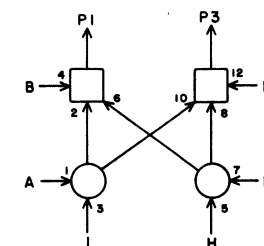
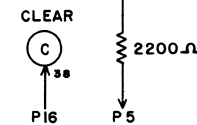
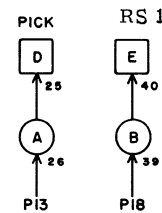
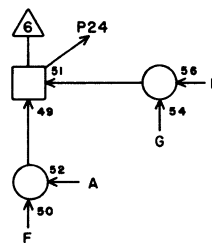
ADD FEEDER REG.



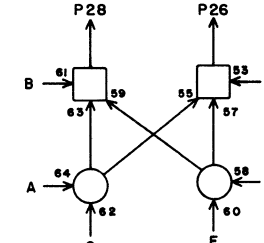
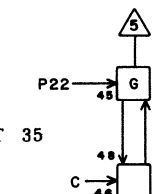
X_j



BIT 35



X_k

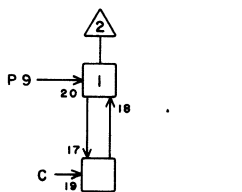
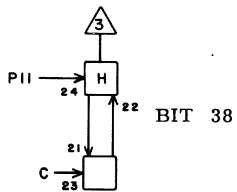
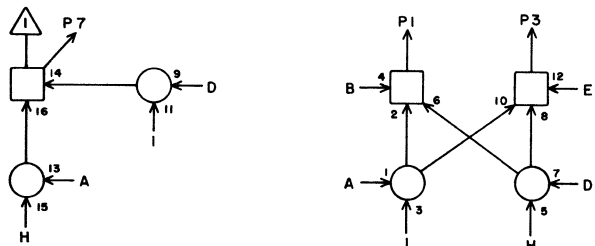


ND		8N20	
1	M40	7	23
2			
3	M37	25	19
4			
5			
6			
7	R24	28	19
8			
9	K08	3	19
10			
11	K08	10	21
12			
13	L34	22	17
14			
15			
16	L35	22	19
17			
18	L33	22	17
19			
20	K07	22	19
21			
22	K07	25	19
23			
24	R24	18	19
25			
26	M38	25	19
27			
28	M37	27	19

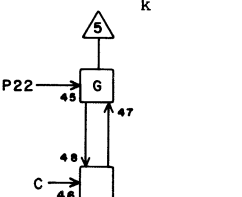
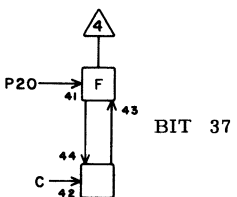
JACK PIN LG

63017200 Rev. E

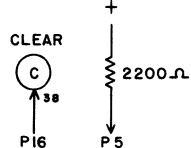
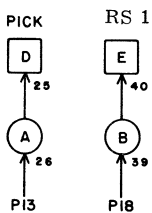
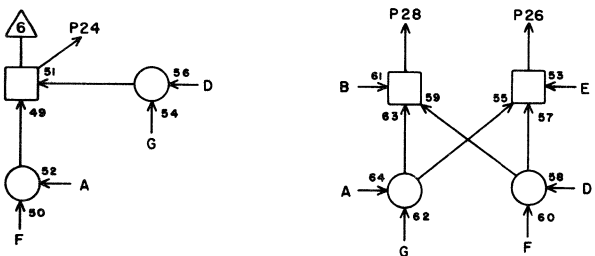
ADD FEEDER REG.



X_j



X_k



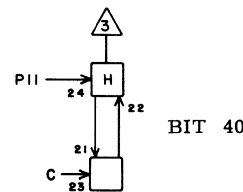
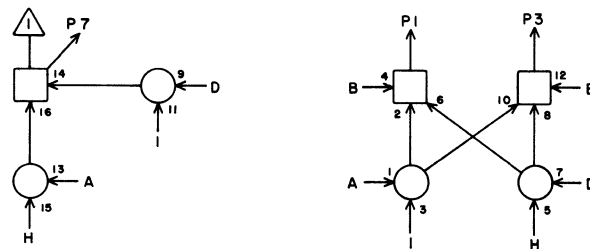
ND 8N21

ND	JACK	PIN	LG
1	M40	5	21
2			
3	M39	1	21
4			
5			
6			
7	R25	28	19
8			
9	K09	3	19
10			
11	K09	10	21
12			
13	L34	23	17
14			
15			
16	L35	23	17
17			
18	L33	23	17
19			
20	K08	22	19
21			
22	K08	25	19
23			
24	R25	18	19
25			
26	M40	1	21
27			
28	M39	7	19

JACK PIN LG

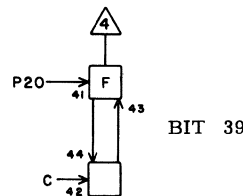
63017200 Rev. E

ADD FEEDER REG.



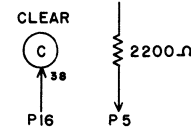
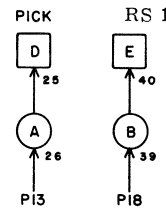
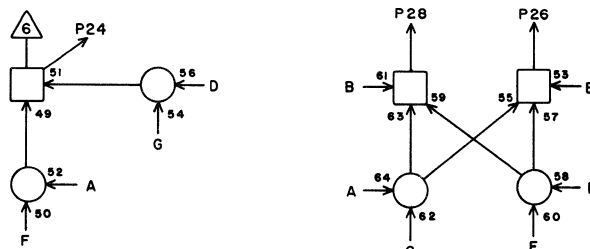
BIT 40

X_j



BIT 39

X_k



8N22

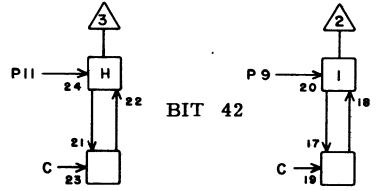
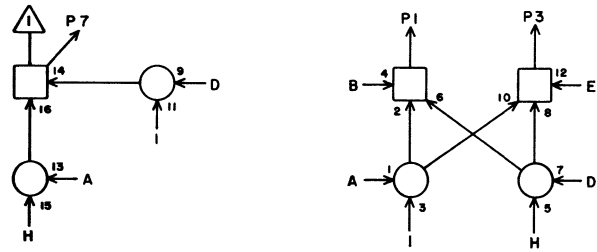
ND 8N22

ND	JACK	PIN	LG
1	M40	19	21
2			
3	M39	9	19
4			
5			
6			
7	R26	28	19
8			
9	K10	3	19
10			
11	K10	10	21
12			
13	L34	24	15
14			
15			
16	L35	24	17
17			
18	L33	24	15
19			
20	K09	22	19
21			
22	K09	25	19
23			
24	R26	18	19
25			
26	M40	9	19
27			
28	M39	5	19

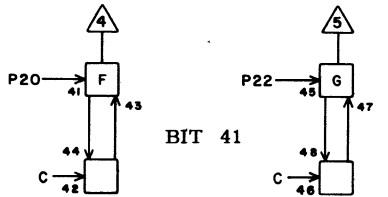
JACK PIN LG

63017200 Rev. E

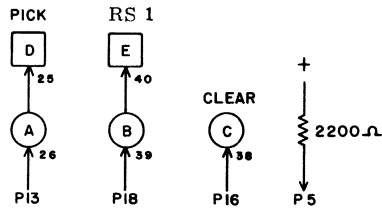
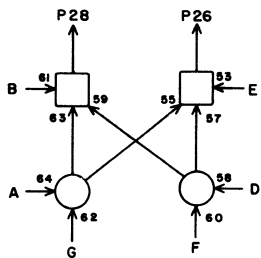
ADD FEEDER REG.



X_j



X_k



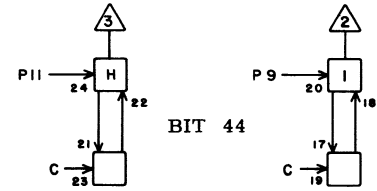
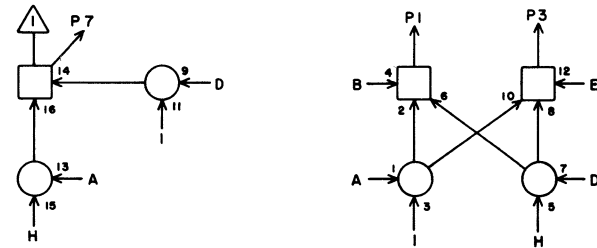
ND 8N23

1	M40	21	19
2			
3	M39	11	19
4			
5			
6			
7	R27	28	19
8			
9	K11	3	19
10			
11	K11	10	21
12			
13	L34	25	15
14			
15			
16	L35	25	17
17			
18	L33	25	15
19			
20	K10	22	19
21			
22	K10	25	19
23			
24	R27	18	19
25			
26	M40	11	19
27			
28	M39	19	19

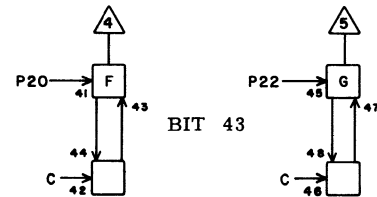
JACK PIN LG

63017200 Rev. E

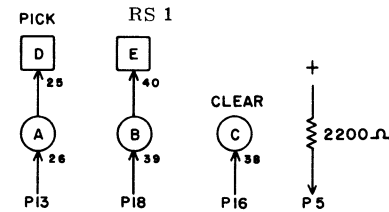
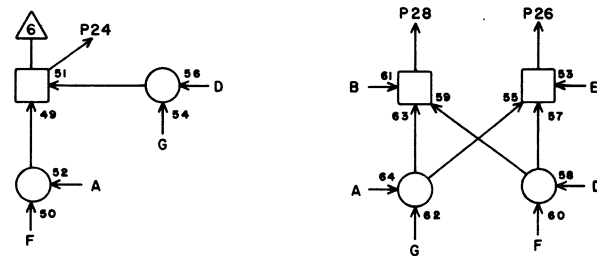
ADD FEEDER REG.



X_j



X_k

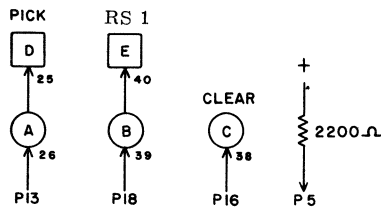
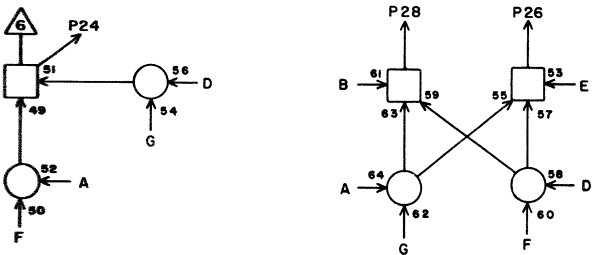
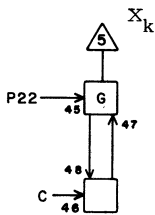
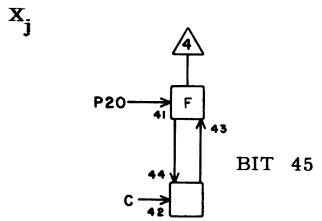
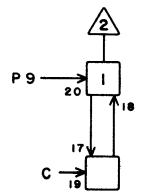
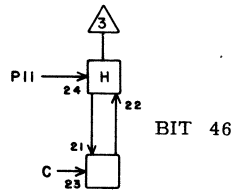
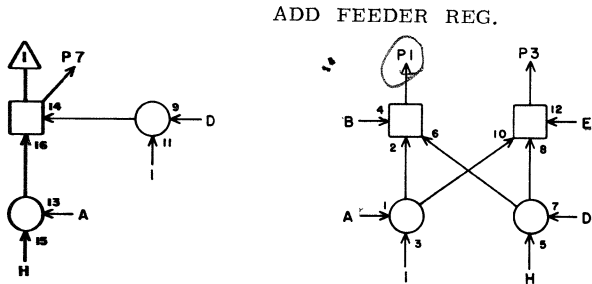


ND 8N24

1	M40	27	19
2			
3	M39	23	17
4			
5			
6			
7	R28	28	19
8			
9	L01	3	25
10			
11	L01	10	25
12			
13	L34	26	15
14			
15			
16	L35	26	15
17			
18	L33	26	15
19			
20	K11	22	19
21			
22	K11	25	19
23			
24	R28	18	19
25			
26	M40	23	19
27			
28	M39	21	17

JACK PIN LG

63017200 Rev. E



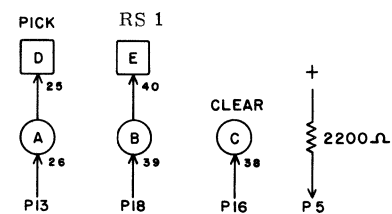
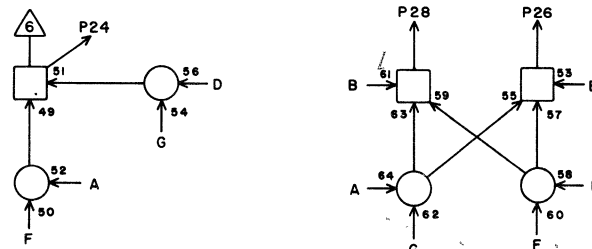
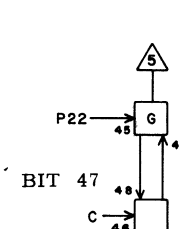
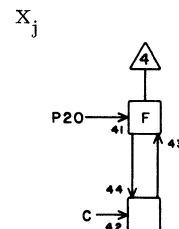
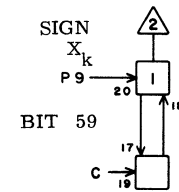
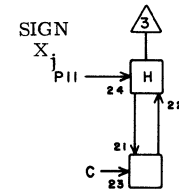
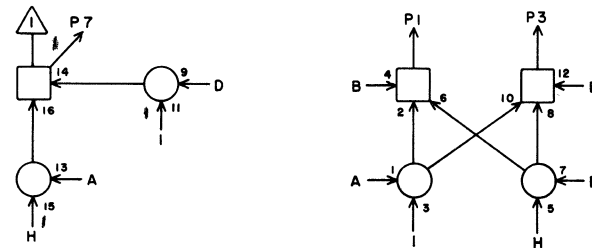
ND 8N25

1	P42	25	21
2			
3	M39	25	17
4			
5			
6			
7	R29	28	19
8			
9	L02	3	25
10			
11	L02	10	25
12			
13	L34	27	15
14			
15			
16	L35	27	15
17			
18	L33	27	15
19			
20	L01	22	25
21			
22	L01	25	25
23			
24	R29	18	19
25			
26	M40	25	17
27			
28	M39	27	17

JACK PIN LG

63017200 Rev. E

ADD FEEDER REG.



8N26

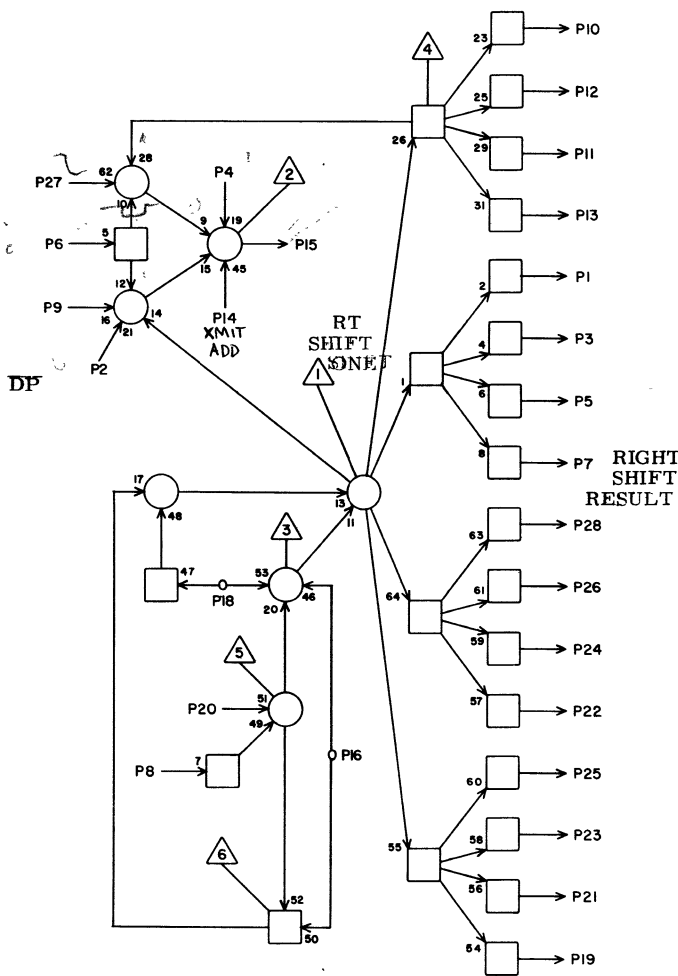
ND 8N26

1	P42	21	19
2			
3	P42	5	19
4			
5			
6			
7	R30	28	19
8			
9	D19	2	47
10			
11	L30	18	11
12			
13	L34	28	13
14			
15			
16	L35	28	15
17			
18	L33	28	13
19			
20	C18	2	51
21			
22	D18	2	45
23			
24	R30	8	19
25			
26	P42	23	21
27			
28	P42	3	19

JACK PIN LG

63017200 Rev. E

ADD OVERFLOW SENSING NETWORK



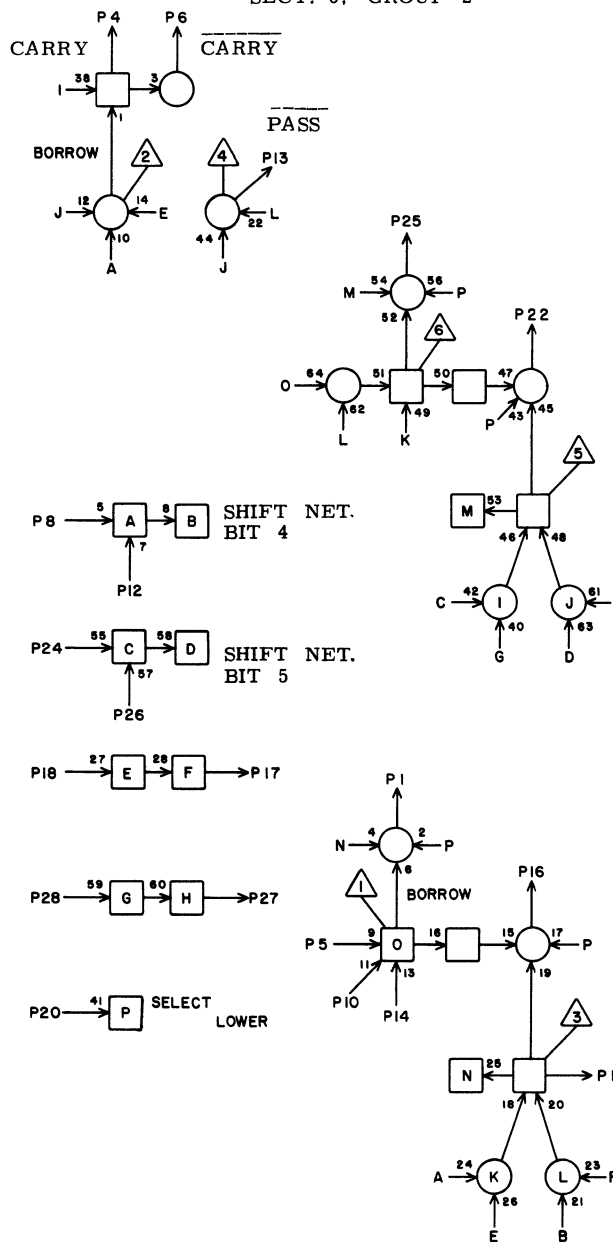
NB 8N27

1	O17	16	15
2	M16	28	13
3	O18	16	13
4			
5	O19	16	13
6	K34	12	17
7	P17	16	17
8	R30	14	19
9	O21	23	13
10	H24	5	25
11	M28	13	7
12	L30	1	13
13	K28	13	15
14			
15	K20	19	19
16	R30	7	19
17			
18	N19	18	13
19	P18	16	15
20	N19	22	11
21	P19	16	15
22	Q19	16	17
23	Q17	16	17
24	R17	16	21
25	Q18	16	17
26	R18	16	19
27	R21	23	19
28	R19	16	19

JACK PIN LG

63017200 Rev.S

ADD COEF. ADDER
SECT. 0, GROUP 2



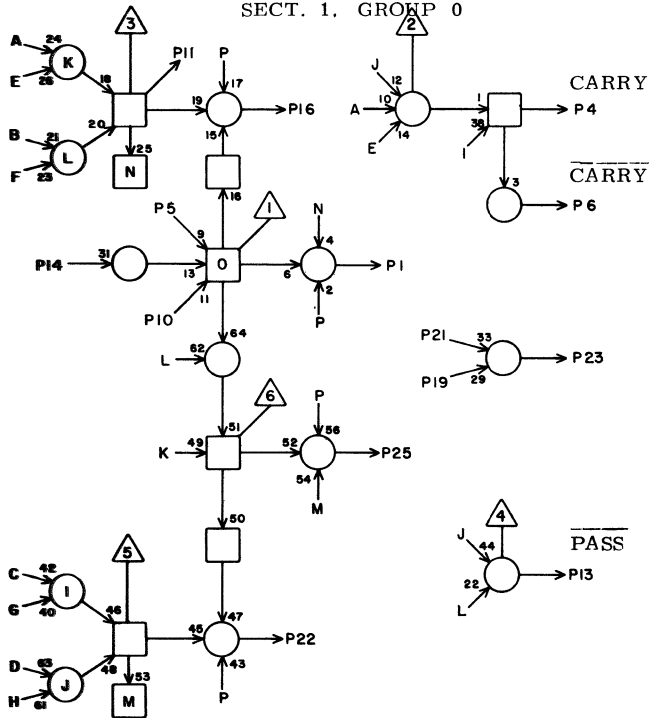
NG 8N28

1	O17	25	15
2			
3			
4	N31	10	7
5	M30	6	9
6			
7			
8	Q38	6	17
9			
10	N31	4	7
11			
12	R37	22	21
13	N31	9	7
14	N31	5	7
15			
16	O17	27	15
17	O28	18	7
18	L32	3	15
19			
20	M17	3	15
21			
22	O18	1	13
23			
24	Q39	24	19
25	O18	3	13
26	R37	8	19
27	O28	28	7
28	L32	4	15

JACK PIN LG

63017200 Rev. E

ADD COEF. ADDER
SECT. 1, GROUP 0



P 8 → 5
P 12 → 7 A → 8 B SHIFT NET.
BIT 6

P 24 → 55
P 26 → 57 C → 58 D SHIFT NET.
BIT 7

SIGN P 18 → 27 E → 28 F → P 17

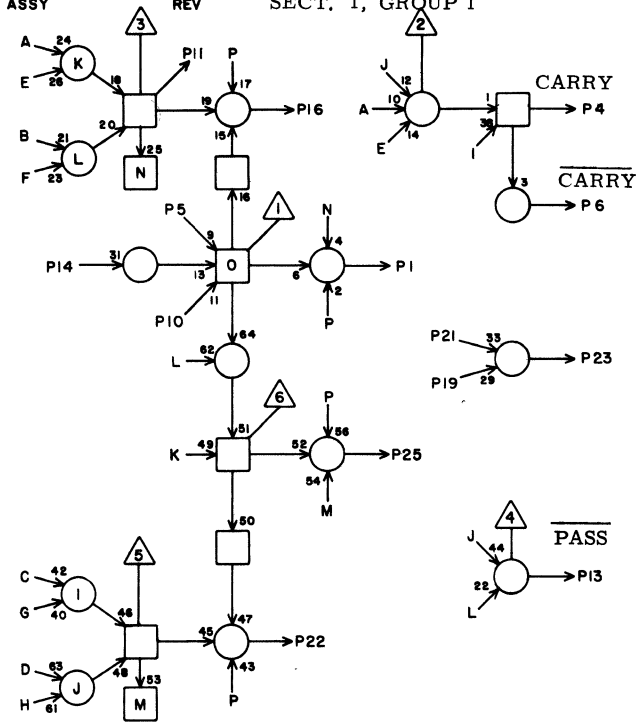
SIGN P 28 → 59 G → 60 H → P 27

P 20 → 41 P SELECT LOWER

		NK		8N29
1	O18	9	15	
2				
3				
4	N31	25	7	
5				
6	N30	5	5	
7				
8	Q39	6	17	
9				
10				
11				
12	R38	22	21	
13	N31	27	7	
14	N17	6	15	
15				
16	O18	11	13	
17	O29	18	7	
18	L32	5	13	
19	J02	22	31	
20	M17	4	17	
21	H09	11	31	
22	O18	17	15	
23	P28	8	11	
24	Q40	24	19	
25	O18	19	15	
26	R38	8	19	
27	O29	28	7	
28	L32	6	13	
	JACK	PIN	LG	

63017200 Rev. P

LS 63057300
ASSY REV B ADD COEF. ADDER
SECT. 1, GROUP 1 NK



P 8 → 5
P 12 → 7 A → 8 B SHIFT NET.
BIT 8

P 24 → 55
P 26 → 57 C → 58 D SHIFT NET.
BIT 9

SIGN P 18 → 27 E → 28 F → P 17

SIGN P 28 → 59 G → 60 H → P 27

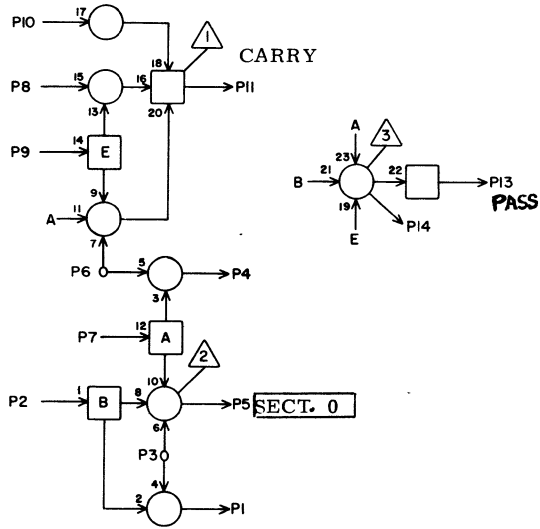
P 20 → 41 P SELECT LOWER

		NK		8N30
1	O18	25	15	
2				
3				
4	N31	21	5	
5	N29	6	5	
6	O20	5	13	
7				
8	Q40	6	17	
9				
10	N31	28	5	
11				
12	R39	22	21	
13	N31	22	5	
14	N37	15	15	
15				
16	O18	27	15	
17	O30	18	7	
18	L32	7	13	
19				
20	M17	5	17	
21	H09	18	33	
22	O19	1	13	
23	H06	26	33	
24	Q41	24	19	
25	O19	3	13	
26	R39	8	19	
27	O30	28	7	
28	L32	8	13	
	JACK	PIN	LG	

CIRCUIT SPECIFICATION 11827500
63017200 Rev. AD

ADD COEF. ADDER

NH 8N31

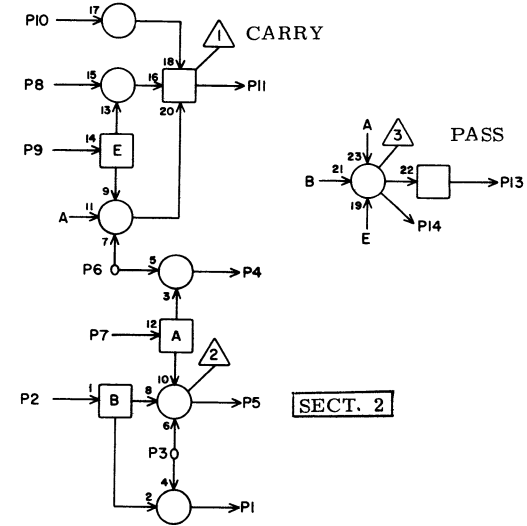


JACK	PIN	LG
1	M30	10 7
2	M29	13 7
3	P16	22 21
4	N28	10 7
5	N28	14 7
6	M29	4 7
7	M30	13 7
8	M30	4 7
9	N28	13 7
10	N28	4 7
11	N17	2 17
12		
13	P16	16 19
14	O16	21 19
15		
16	N17	4 17
17	O16	27 19
18	N17	1 15
19	O20	4 15
20	O20	13 13
21	N30	4 5
22	N30	13 5
23	O20	10 15
24	N17	5 17
25	N29	4 7
26	O20	14 15
27	N29	13 7
28	N30	10 5

63017200 Rev. E

ADD COEF. ADDER

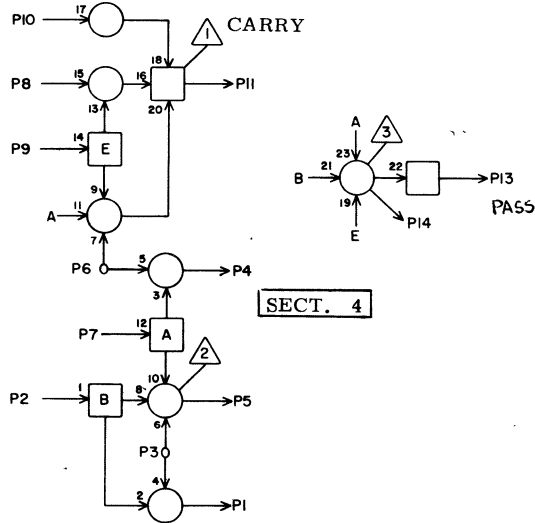
NH 8N32



JACK	PIN	LG
1	O22	10 15
2	O21	13 15
3	N17	13 17
4	O23	10 13
5	O23	14 13
6	O21	4 15
7	O22	13 13
8	O22	4 13
9	O23	13 13
10	O23	4 13
11	N17	8 17
12		
13	N17	3 17
14	O16	25 19
15		
16	P16	7 19
17	O16	23 19
18	N17	27 17
19	O26	4 11
20	O26	13 9
21	O25	4 11
22	O25	13 11
23	O26	10 11
24	P16	2 19
25	O24	4 11
26	O26	14 9
27	O24	13 11
28	O25	10 11

63017200 Rev. E

ADD COEF. ADDER



NH

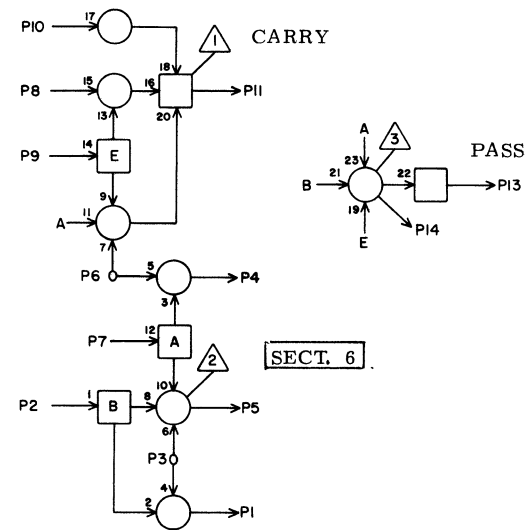
8N33

1	O28	10	11
2	O27	13	11
3	N17	22	19
4	O29	10	9
5	O29	14	9
6	O27	4	11
7	O28	13	11
8	O28	4	9
9	O29	13	9
10	O29	4	9
11	N17	28	19
12			
13	N17	25	17
14	O16	17	19
15			
16	N17	26	19
17	O16	19	19
18	N17	23	17
19	P21	4	17
20	P21	13	17
21	P20	4	17
22	P20	13	17
23	P21	10	17
24	N17	16	19
25	O30	4	7
26	P21	14	17
27	O30	13	7
28	P20	10	17

JACK PIN LG

63017200 Rev. E

ADD COEF ADDER



NH

8N34

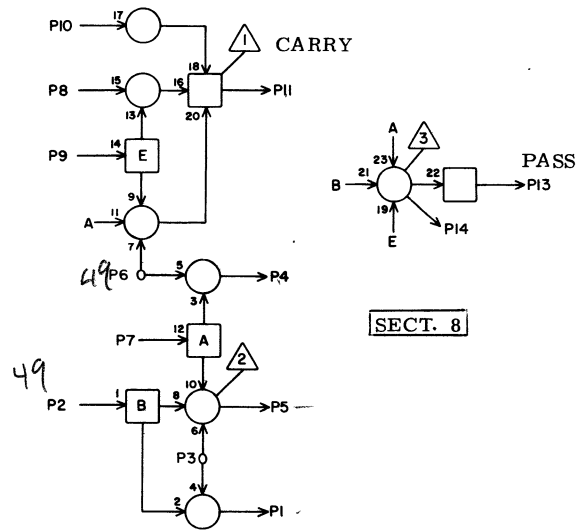
1	P23	10	17
2	P22	13	17
3	Q16	22	25
4	P24	10	15
5	P24	14	17
6	P22	4	17
7	P23	13	17
8	P23	4	15
9	P24	13	15
10	P24	4	15
11	N18	2	19
12			
13	Q16	16	25
14	O16	7	21
15			
16	N18	4	19
17	O16	8	21
18	N18	1	19
19	P27	4	13
20	P27	13	13
21	P26	4	13
22	P26	13	13
23	P27	10	13
24	N18	5	19
25	P25	4	15
26	P27	14	13
27	P25	13	15
28	P26	10	13

JACK PIN LG

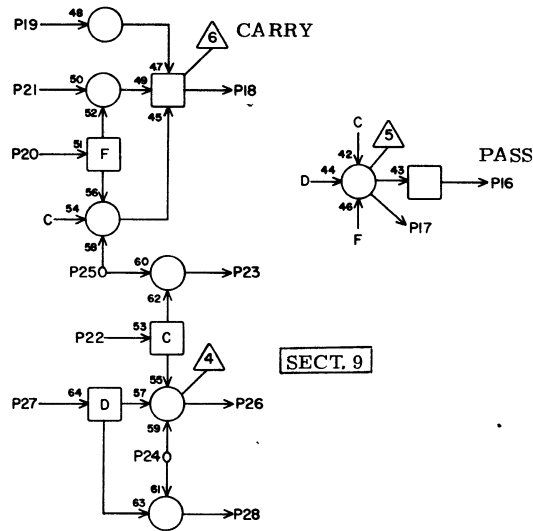
63017200 Rev. E

8N34

ADD COEF ADDER



SECT. 8



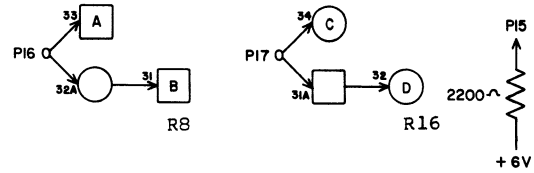
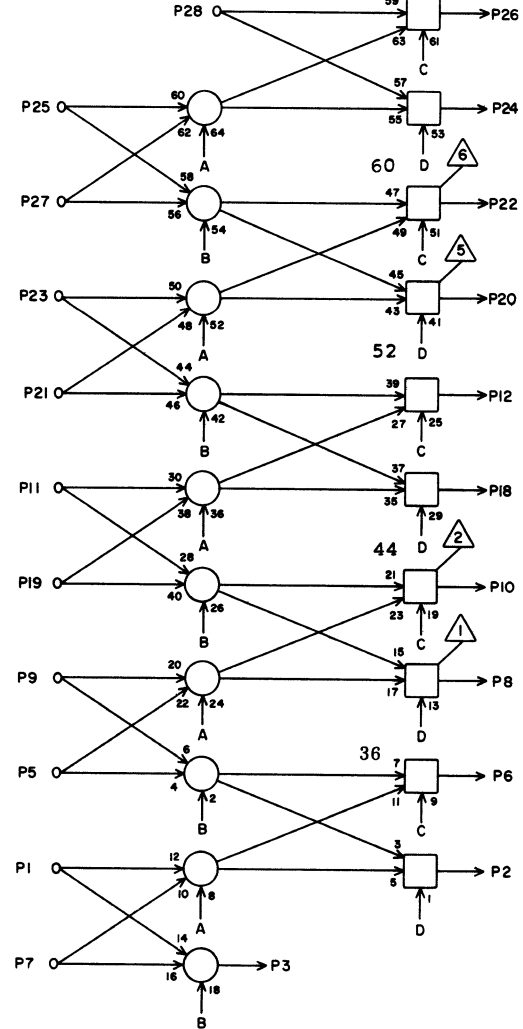
SECT. 9

NH 8N35

JACK	PIN	LG
1	P29	10 15
2	P28	24 15
3	N18	13 19
4	P30	10 13
5	P30	14 13
6	P28	18 13
7	P29	13 13
8	P29	4 13
9	P30	13 13
10	P30	4 13
11	N18	8 19
12		
13	N18	3 19
14	O16	5 21
15		
16	Q16	7 23
17	L20	21 19
18	N18	27 19
19	Q22	4 19
20	Q22	13 19
21	Q21	4 19
22	Q21	13 19
23	Q22	10 19
24	Q16	2 23
25	Q20	4 21
26	Q22	14 19
27	Q20	13 21
28	Q21	10 19

63017200 Rev. E

ADD SHIFT 68

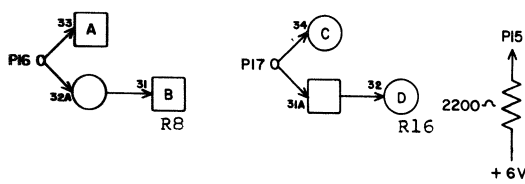
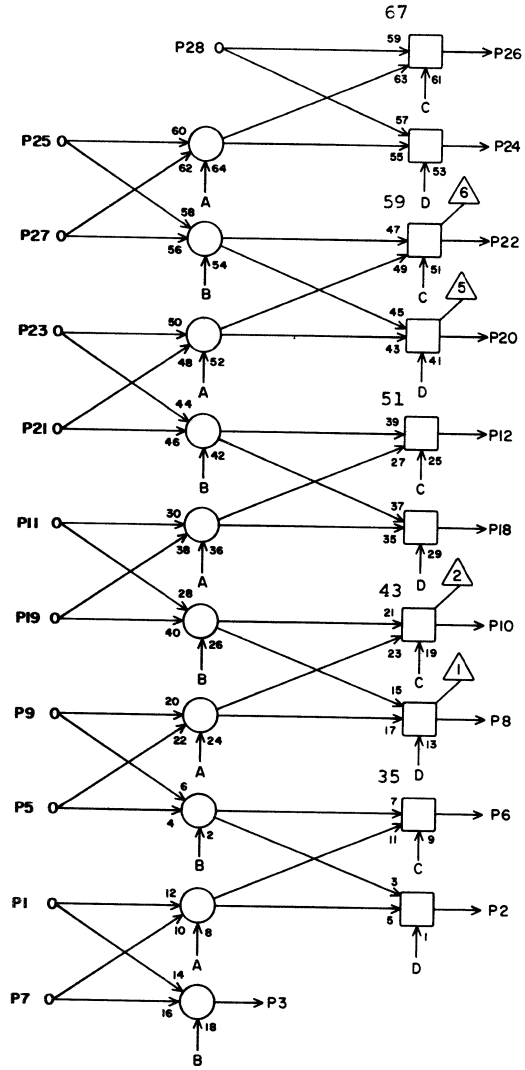


NE 8N36

JACK	PIN	LG
1	P32	3 13
2	P34	5 13
3		
4		
5	P37	3 13
6	Q38	3 15
7	N36	X 2
8	Q34	5 15
9	M31	8 11
10	Q42	3 17
11	M33	2 9
12	P34	11 15
13		
14		
15	N19	23 19
16	L39	26 11
17	L39	6 13
18	Q38	5 15
19	M31	22 9
20	Q42	5 15
21	M33	12 9
22	Q34	11 15
23	M33	24 7
24	P34	9 11
25	M35	20 7
26	Q38	11 15
27	M35	10 9
28	O37	3 5

63017200 Rev. E

ADD SHIFT



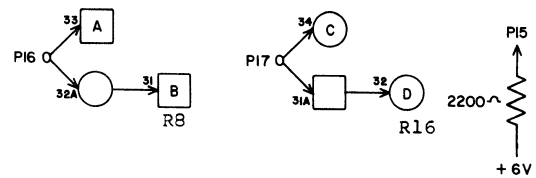
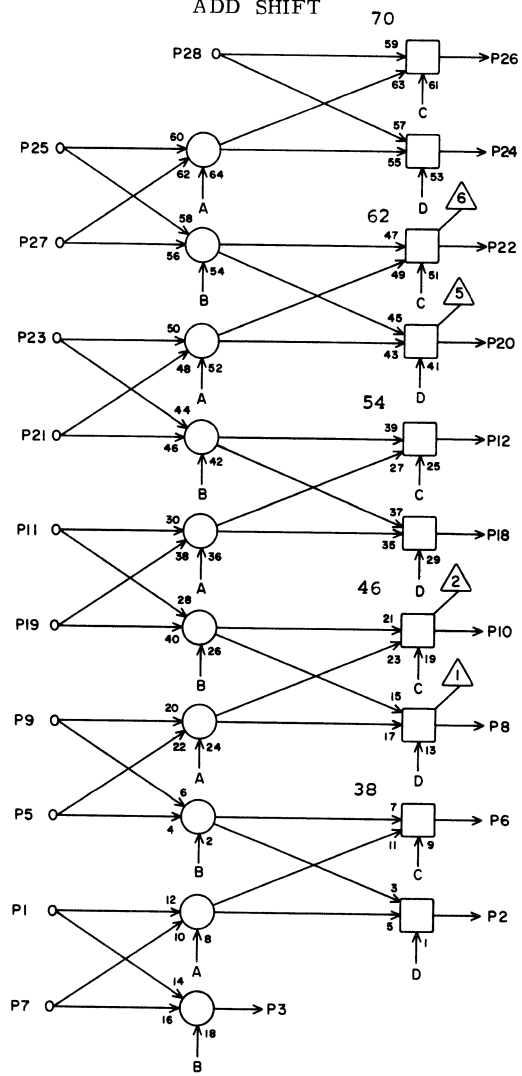
NE 8N37

1	P32	4	13
2	P34	23	13
3			
4			
5	P37	4	13
6	Q38	25	17
7	N37	X	2
8	Q34	23	17
9	M32	8	11
10	Q42	25	17
11	M34	2	9
12	P34	21	13
13			
14			
15	N30	14	15
16	L39	24	11
17	L39	4	13
18	Q38	23	15
19	M32	22	9
20	Q42	23	17
21	M34	12	9
22	Q34	21	15
23	M34	24	7
24	P34	19	11
25	M36	20	7
26	Q38	21	15
27	M36	10	9
28	O38	3	5

JACK PIN LG

63017200 Rev. T

ADD SHIFT



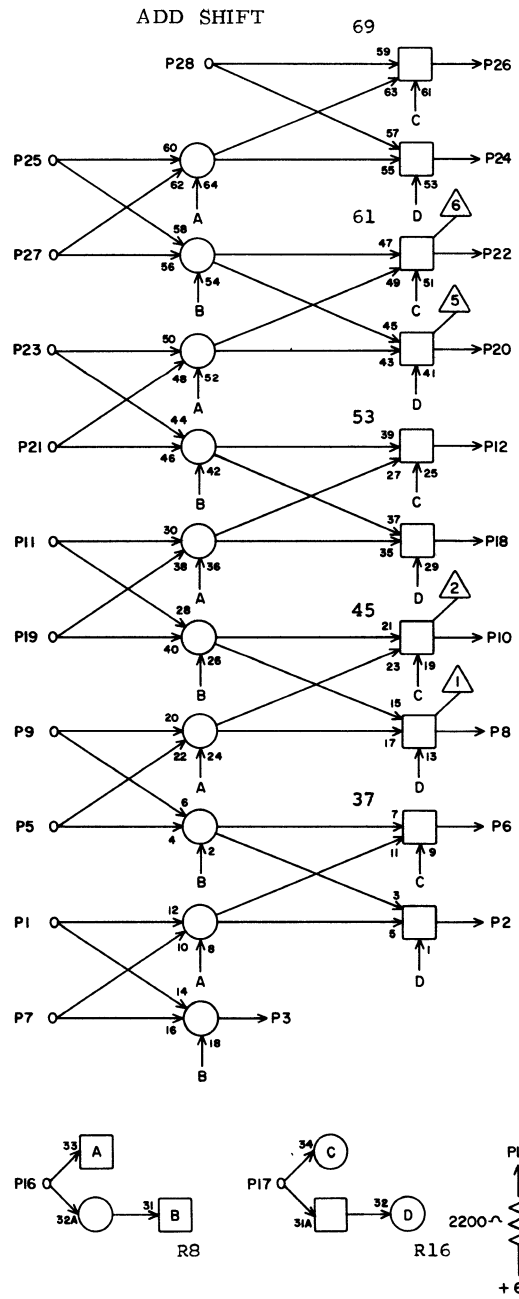
NE 8N38

1	P32	5	13
2	P35	5	13
3			
4			
5	M31	6	11
6	Q39	3	15
7	N38	X	2
8	Q35	5	15
9	M31	18	11
10	R33	3	19
11	M33	8	11
12	P35	11	13
13			
14			
15	O22	14	21
16	L39	22	13
17	L39	9	13
18	Q39	5	15
19	M31	26	11
20	R33	5	19
21	M33	22	11
22	Q35	11	15
23	M35	2	11
24	P35	9	11
25	M35	24	7
26	Q39	11	15
27	M35	12	9
28	O39	3	5

JACK PIN LG

63017200 Rev. T

8N38

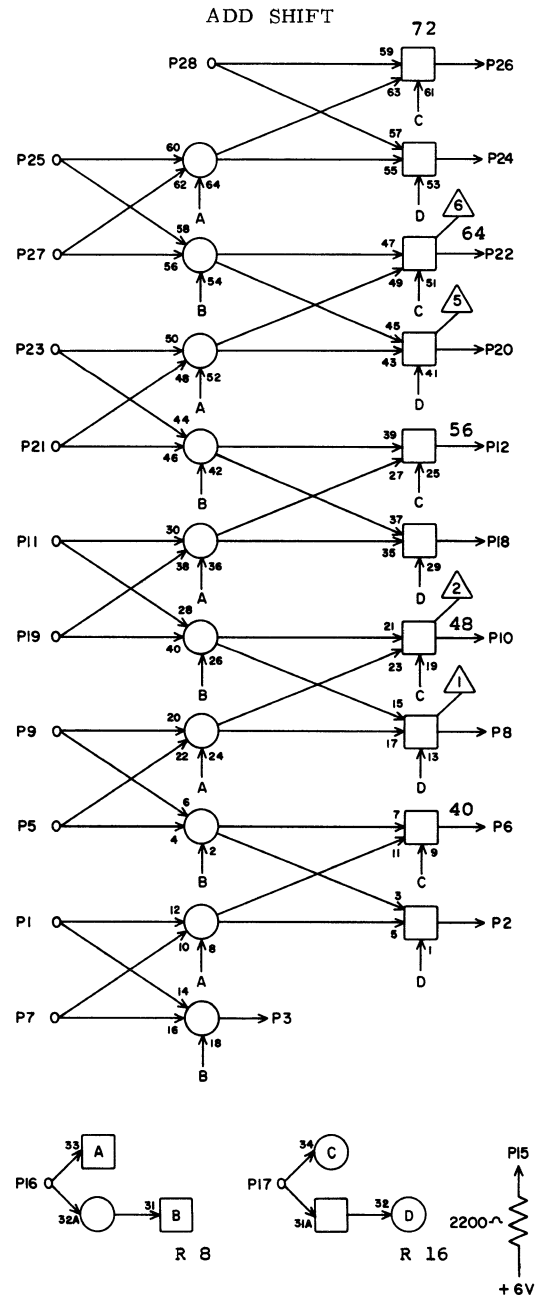


NE

JACK	PIN	LG
1	P32	6 15
2	P35	23 13
3		
4		
5	M32	6 11
6	Q39	25 17
7	N39	X 2
8	Q35	23 17
9	M32	18 11
10	R33	25 21
11	M34	8 11
12	P35	21 13
13		
14		
15	O25	14 21
16	L39	20 13
17	L39	11 13
18	Q39	23 15
19	M32	26 11
20	R33	23 19
21	M34	22 11
22	Q35	21 15
23	M36	2 11
24	P35	19 13
25	M36	24 7
26	Q39	21 15
27	M36	12 9
28	O40	3 5

JACK PIN LG

63017200 Rev. T

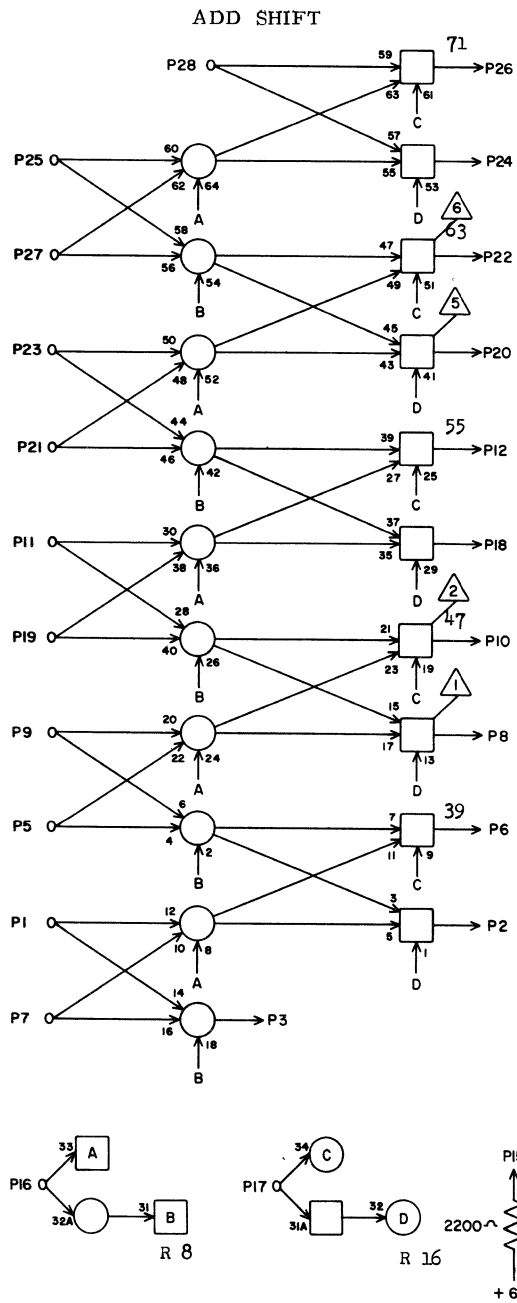


NE

JACK	PIN	LG
1	P32	7 15
2	P36	5 13
3		
4		
5	M31	10 13
6	Q40	3 15
7	N40	X 2
8	Q36	5 15
9	M31	20 13
10	R34	3 19
11	M33	18 11
12	P36	11 13
13		
14		
15		
16	L39	18 11
17	L39	13 13
18	Q40	5 15
19	M33	6 13
20	R34	5 19
21	M33	26 11
22	Q36	11 15
23	M35	8 11
24	P36	9 11
25	M37	2 11
26	Q40	11 15
27	M35	22 11
28	O41	3 5

JACK PIN LG

63017200 Rev. E

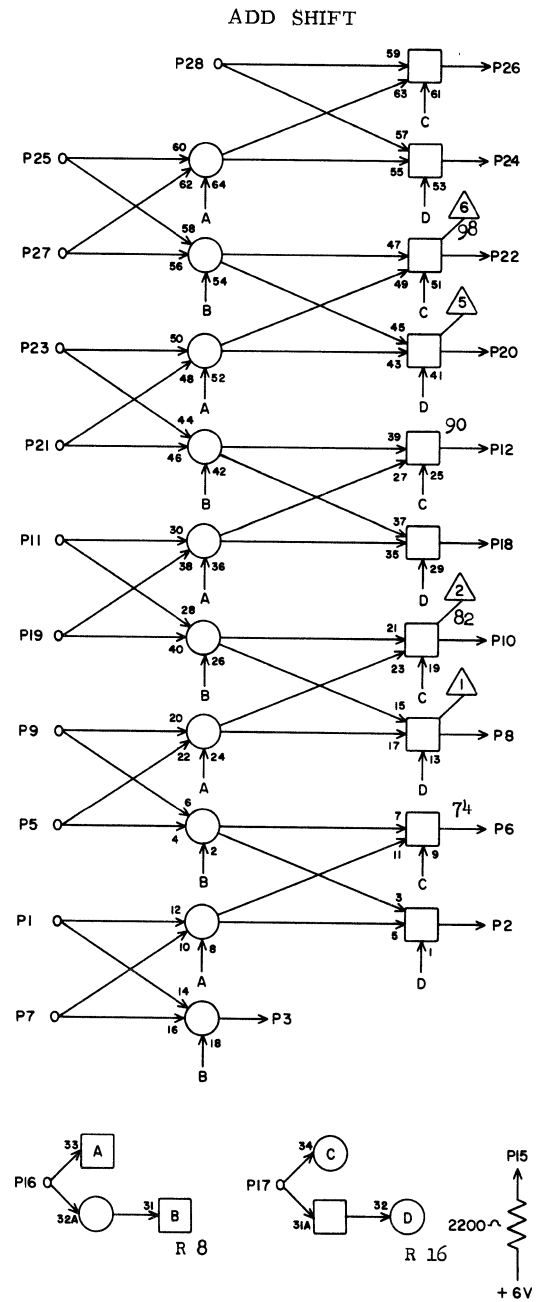


NE 8N 41

JACK	PIN	LG
1	P32	8 15
2	P36	23 15
3		
4		
5	M32	10 13
6	Q40	25 17
7	N41	X 2
8	Q36	23 17
9	M32	20 13
10	R34	25 21
11	M34	18 11
12	P36	21 13
13		
14		
15		
16	L39	28 11
17	L39	1 13
18	Q40	23 15
19	M34	6 13
20	R34	23 19
21	M34	26 11
22	Q36	21 15
23	M36	8 11
24	P36	19 13
25	M38	2 11
26	Q40	21 15
27	M36	22 11
28	Q42	3 5

JACK PIN LG

63017200 Rev. E



8N42

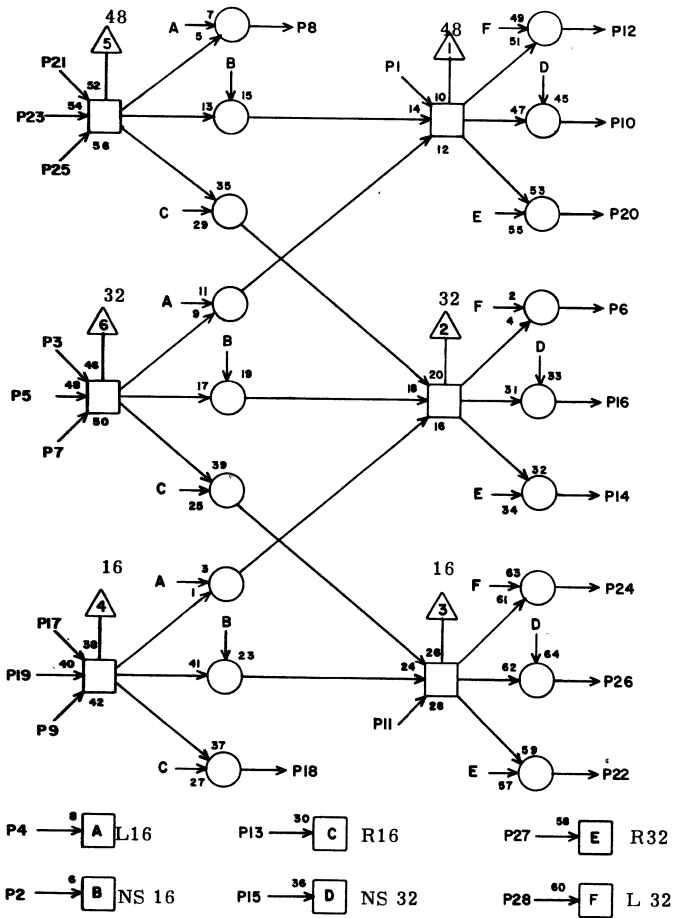
NE 8N 42

JACK	PIN	LG
1	M37	8 9
2	Q33	9 17
3	M41	28 7
4		
5	M37	22 9
6	Q41	11 15
7	M35	26 11
8	Q37	9 15
9	M39	2 9
10	R35	3 19
11	M39	24 7
12	R39	3 19
13		
14		
15		
16	L39	21 13
17	L39	8 13
18	Q41	9 15
19	M39	12 9
20	R35	5 19
21	P32	9 15
22		
23	N42	X 2
24		
25		
26		
27	P32	25 15
28		

JACK PIN LG

63017200 Rev. E

SHIFT NETWORK



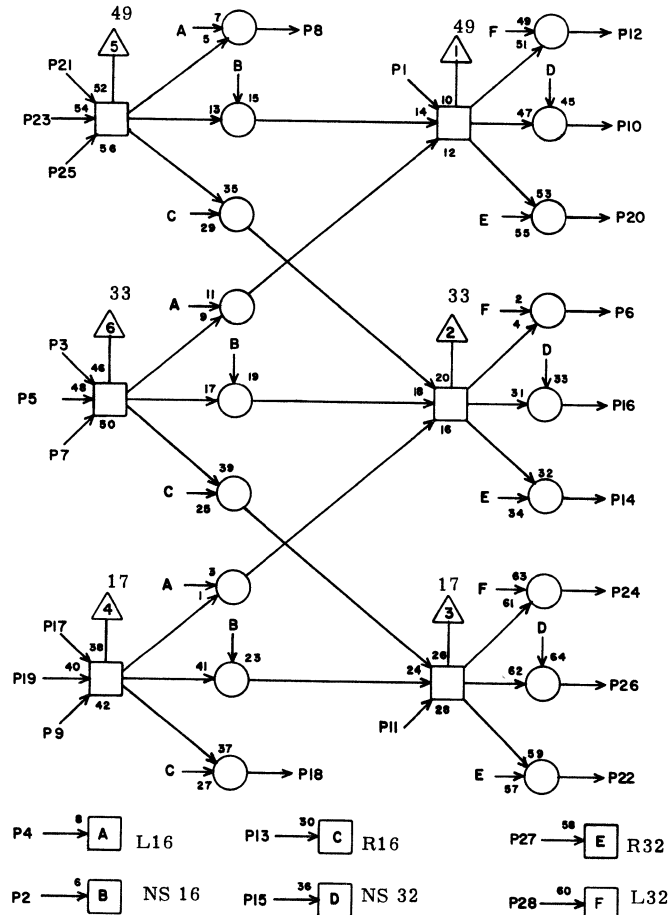
QF **8001**

1	L17	1	21
2	M08	1	15
3	P09	14	13
4	M07	1	13
5	P08	10	11
6	I02	19	25
7	P08	24	11
8	P03	28	9
9	P06	12	9
10	I04	8	27
11	P02	11	7
12	I07	23	25
13	M09	20	15
14	I01	15	25
15	N08	1	13
16	I11	21	27
17	P08	22	11
18	P02	22	9
19	P07	16	9
20	I06	20	27
21	P10	20	13
22			
23	P10	26	13
24	I04	5	27
25	P09	6	11
26	I06	18	27
27	N09	20	15
28	N07	1	13

JACK PIN LG

63017200 Rev. E

SHIFT NETWORK



QF **8002**

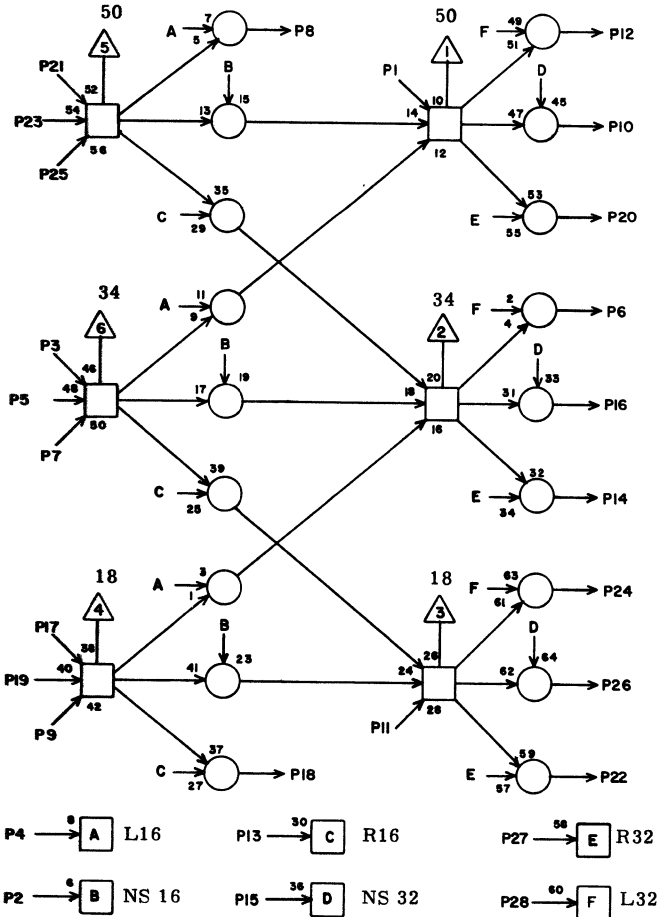
1	L17	2	21
2	M08	2	13
3	P14	14	15
4	M07	2	13
5	P13	10	15
6	I02	23	25
7	P13	24	15
8	P03	17	9
9	P11	12	13
10	I05	8	27
11	P02	1	7
12	I08	11	27
13	M09	21	15
14	I01	20	25
15	N08	2	11
16	I12	17	27
17	P13	22	15
18	P02	26	9
19	P12	16	13
20	I06	25	25
21	P15	20	15
22			
23	P15	26	15
24	I05	5	27
25	P14	6	15
26	I06	21	27
27	N09	21	13
28	N07	2	11

JACK PIN LG

63017200 Rev. E

8002

SHIFT NETWORK



QF

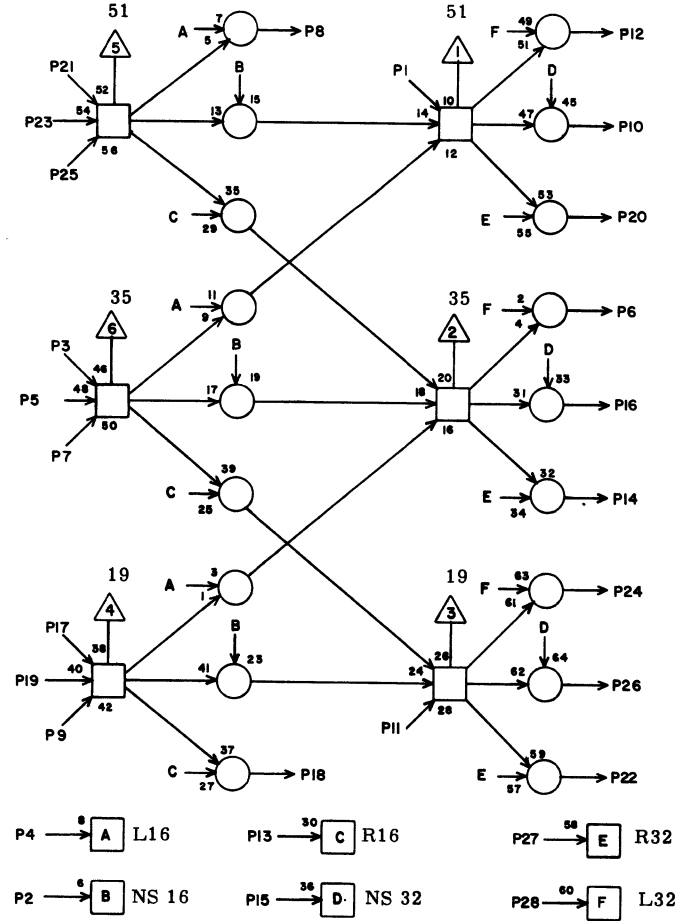
8003

1	L17	3	21
2	M08	3	13
3	Q04	14	13
4	M07	3	13
5	Q03	10	13
6	I03	11	25
7	Q03	24	13
8	P04	20	9
9	Q01	12	13
10	I06	8	27
11	P02	7	7
12	I08	19	25
13	M09	22	15
14	I01	25	25
15	N08	3	11
16	I12	18	27
17	Q03	22	13
18	P02	18	7
19	Q02	16	11
20	I07	15	27
21	Q05	20	11
22			
23	Q05	26	13
24	I06	5	27
25	Q04	6	9
26	I07	17	27
27	N09	22	11
28	N07	3	11

JACK PIN LG

63017200 Rev. E

SHIFT NETWORK



QF

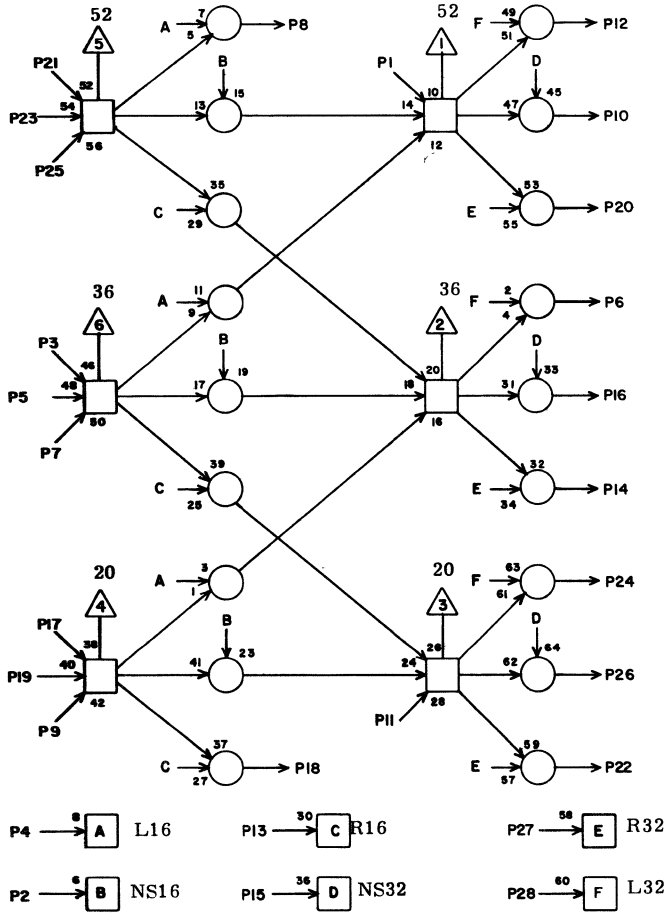
8004

1	L17	4	19
2	M08	4	13
3	Q09	14	13
4	M07	4	13
5	Q08	10	13
6	I03	19	25
7	Q08	24	13
8	P04	28	9
9	Q06	12	13
10	I07	8	27
11	P03	11	7
12	I08	23	25
13	M09	23	13
14	I02	15	25
15	N08	4	9
16	I12	21	27
17	Q08	22	13
18	P03	22	7
19	Q07	16	11
20	I07	20	25
21	Q10	20	13
22			
23	Q10	26	13
24	I07	5	27
25	Q09	6	11
26	I07	18	27
27	N09	23	11
28	N07	4	11

JACK PIN LG

63017200 Rev. E

SHIFT NETWORK

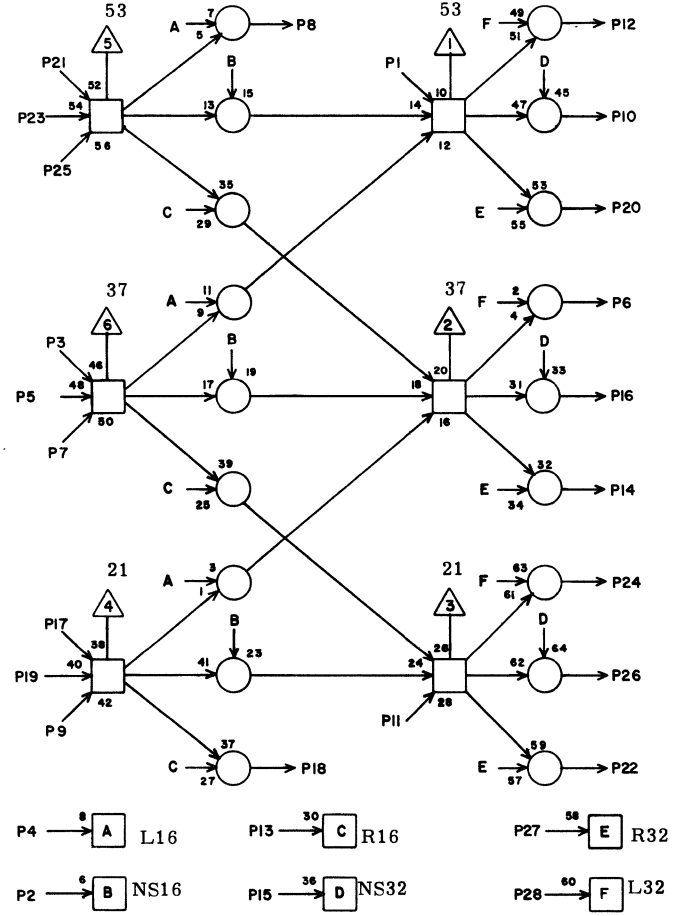


QF 8005

1	L17	5	19
2	N08	5	13
3	P09	20	9
4	M07	5	11
5	P09	26	11
6	I03	23	25
7	P08	6	7
8	P04	17	9
9	P07	24	9
10	I08	8	27
11	P03	1	7
12	I09	11	27
13	M09	24	13
14	I02	20	25
15	N08	5	9
16	I13	17	27
17	P08	14	7
18	P03	26	9
19	P07	10	7
20	I07	25	25
21	L18	25	19
22			
23	P10	16	9
24	I02	5	27
25	P09	12	7
26	I07	21	27
27	N09	24	9
28	N07	5	11

JACK PIN LG

SHIFT NETWORK

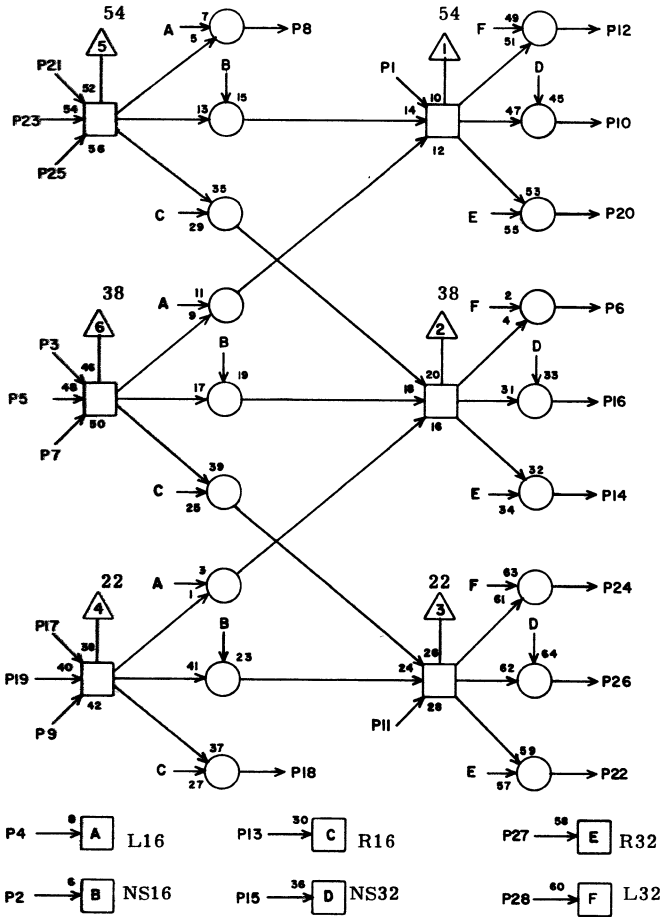


QF 8006

1	L17	6	19
2	M08	6	11
3	P14	20	13
4	M07	6	11
5	P14	26	13
6	I04	11	25
7	P13	6	11
8	P05	20	9
9	P12	24	11
10	I09	8	27
11	P03	7	9
12	I09	19	25
13	M09	25	13
14	I02	25	25
15	N08	6	9
16	I13	18	27
17	P13	14	11
18	P03	18	9
19	P12	10	9
20	I08	15	27
21	L18	23	19
22			
23	P15	16	13
24	I09	5	27
25	P14	12	11
26	I08	17	27
27	N09	25	9
28	N07	6	9

JACK PIN LG

SHIFT NETWORK



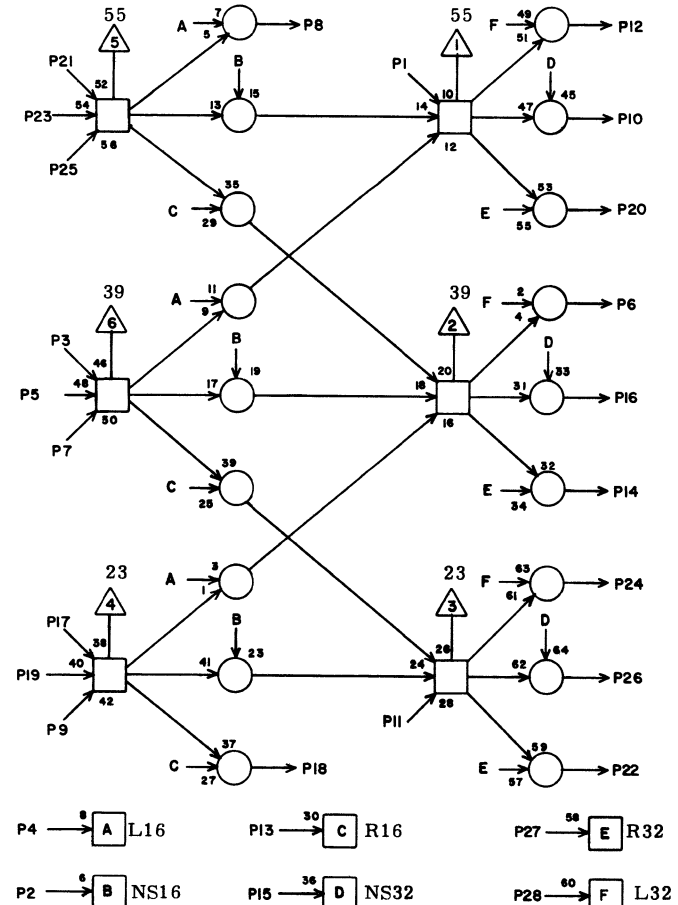
QF 8007

1	L17	7	17
2	M08	7	11
3	Q04	20	13
4	M07	7	11
5	Q04	26	13
6	I04	19	25
7	Q03	6	13
8	P05	28	9
9	Q02	24	15
10	I10	8	27
11	P04	11	9
12	I09	23	25
13	M09	26	11
14	I03	15	25
15	N08	7	9
16	I13	21	25
17	Q03	14	13
18	P04	22	9
19	Q02	10	13
20	I08	20	25
21	L18	26	17
22			
23	Q05	16	11
24	I10	5	27
25	Q04	12	11
26	I08	18	27
27	N09	26	9
28	N07	7	9

JACK PIN LG

63017200 Rev. 0

SHIFT NETWORK



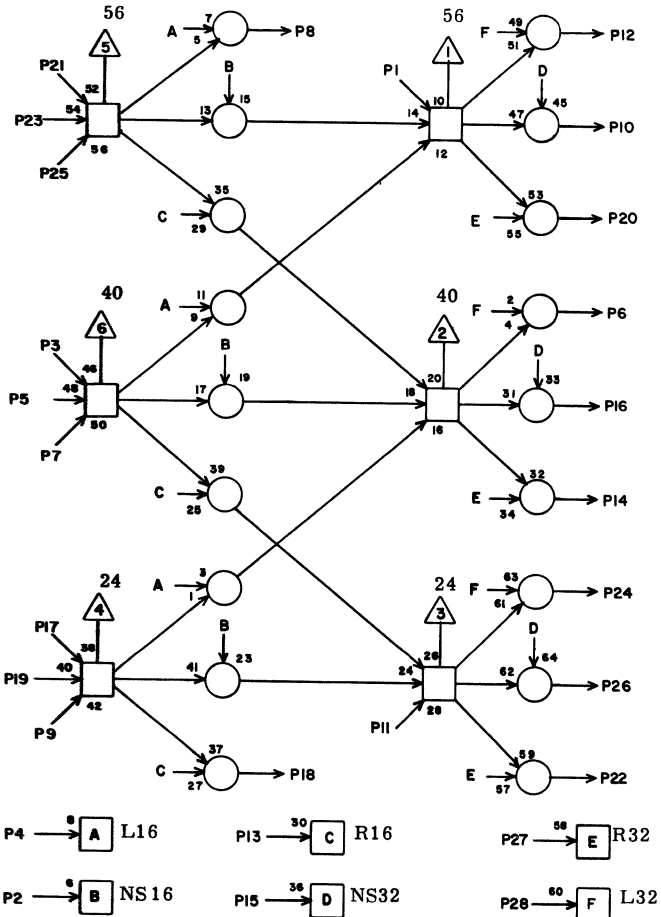
QF 8008

1	L17	8	17
2	M08	8	11
3	Q09	20	13
4	M07	8	11
5	Q09	26	13
6	I04	23	25
7	Q08	6	11
8	P05	17	9
9	Q07	24	13
10	I11	8	27
11	P04	1	9
12	I10	11	25
13	M09	27	11
14	I03	20	25
15	N08	8	9
16	I14	17	27
17	Q08	14	11
18	P04	26	9
19	Q07	10	11
20	I08	25	25
21	L18	24	17
22			
23	Q10	16	11
24	I11	5	27
25	Q09	12	11
26	I08	21	27
27	N09	27	7
28	n07	8	9

JACK PIN LG

63017200 Rev. 0

SHIFT NETWORK



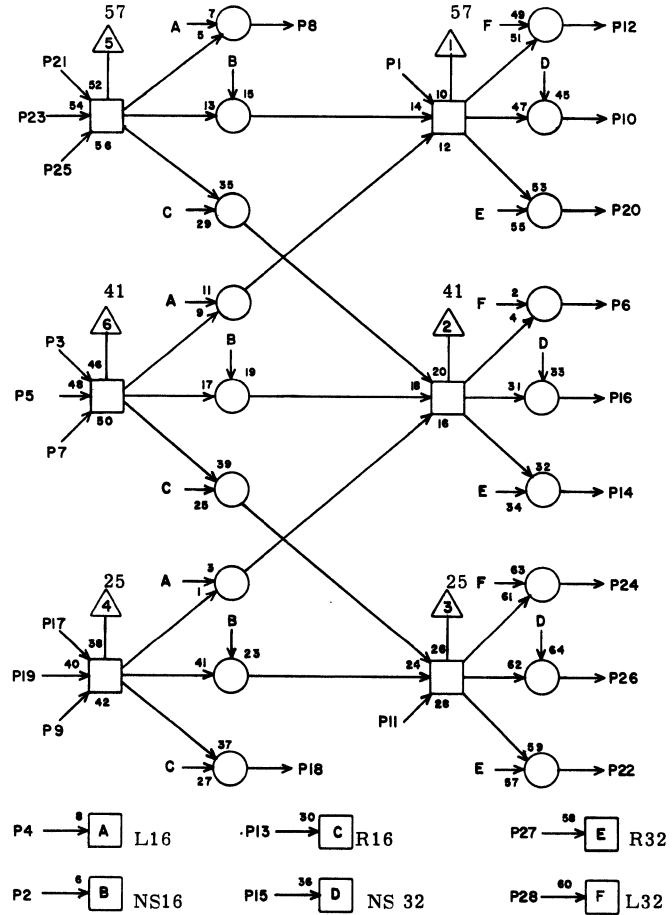
QF 8009

1	L17	9	17
2	M08	9	11
3	P10	22	9
4	M07	9	11
5	P09	16	9
6	I05	11	25
7	P08	12	7
8	O13	11	7
9	P07	6	7
10	I12	8	27
11	P04	7	9
12	I10	19	25
13	M09	9	13
14	I03	25	25
15	N08	9	9
16	I14	18	25
17	P08	20	7
18	P04	18	9
19	P08	26	9
20	I09	15	27
21	L18	22	17
22			
23	P10	10	7
24	I12	5	27
25	P10	24	7
26	I09	17	27
27	N09	12	9
28	N07	9	9

JACK PIN LG

63017200 Rev. B

SHIFT NETWORK



QF 8010

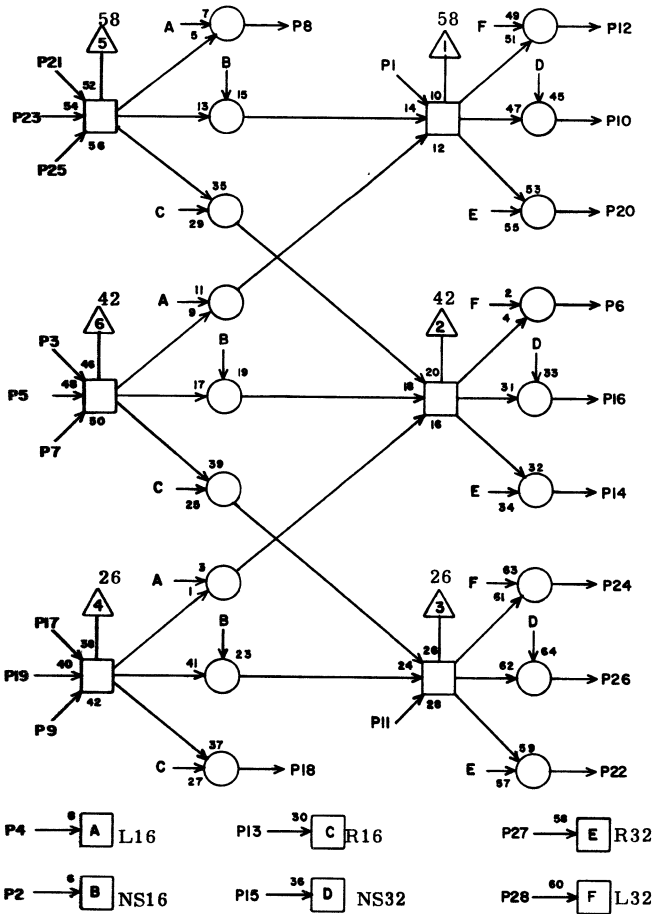
1	L17	10	15
2	M08	10	11
3	P15	22	11
4	M07	10	11
5	P14	16	9
6	I05	19	25
7	P13	12	9
8	O14	11	7
9	P12	6	7
10	I13	8	27
11	P05	11	9
12	I10	23	25
13	M09	10	13
14	I04	15	27
15	N08	10	9
16	I14	21	25
17	P13	20	9
18	P05	22	9
19	P13	26	9
20	I09	20	25
21	L18	20	17
22			
23	P15	10	9
24	I13	5	27
25	P15	24	9
26	I09	18	27
27	N09	10	9
28	N07	10	9

JACK PIN LG

63017200 Rev. E

8010

SHIFT NETWORK



QF

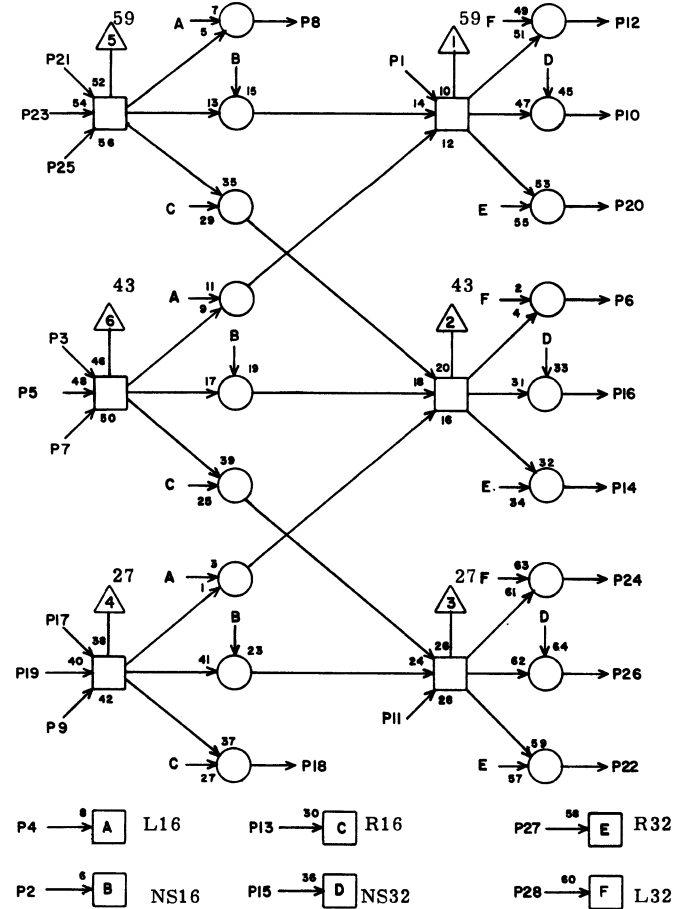
8011

1	L17	11	15
2	M08	11	11
3	Q05	22	15
4	M07	11	11
5	Q04	16	15
6	I05	23	25
7	Q03	12	15
8	O15	11	7
9	Q02	6	15
10	I14	8	27
11	P05	1	11
12	I11	11	25
13	M09	11	13
14	I04	20	27
15	N08	11	9
16	I15	17	25
17	Q03	20	15
18	P05	26	11
19	Q03	26	15
20	I09	25	25
21	L18	18	17
22			
23	Q05	10	13
24	I14	5	27
25	Q05	24	13
26	I09	21	27
27	N09	11	9
28	N07	11	9

JACK PIN LG

63017200 Rev. 0

SHIFT NETWORK



QF

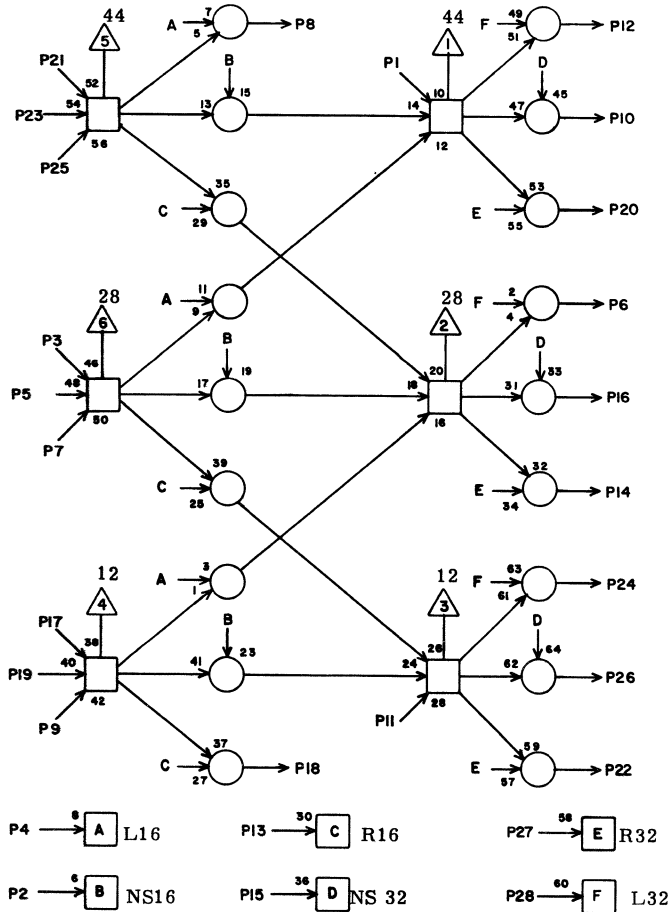
8012

1	L17	13	15
2	M08	13	11
3	Q10	22	13
4	M07	13	13
5	Q09	16	13
6	I06	11	25
7	Q08	12	13
8	P01	11	15
9	Q07	6	13
10	I15	8	27
11	P05	7	11
12	I11	19	25
13	M09	13	13
14	I04	25	25
15	N08	13	9
16	I15	18	27
17	Q08	20	13
18	P05	18	11
19	Q08	26	13
20	I10	15	27
21	L18	28	15
22			
23	Q10	10	11
24	I15	5	27
25	Q10	24	13
26	I10	17	27
27	N09	13	11
28	N07	13	11

JACK PIN LG

63017200 Rev. 0

SHIFT NETWORK

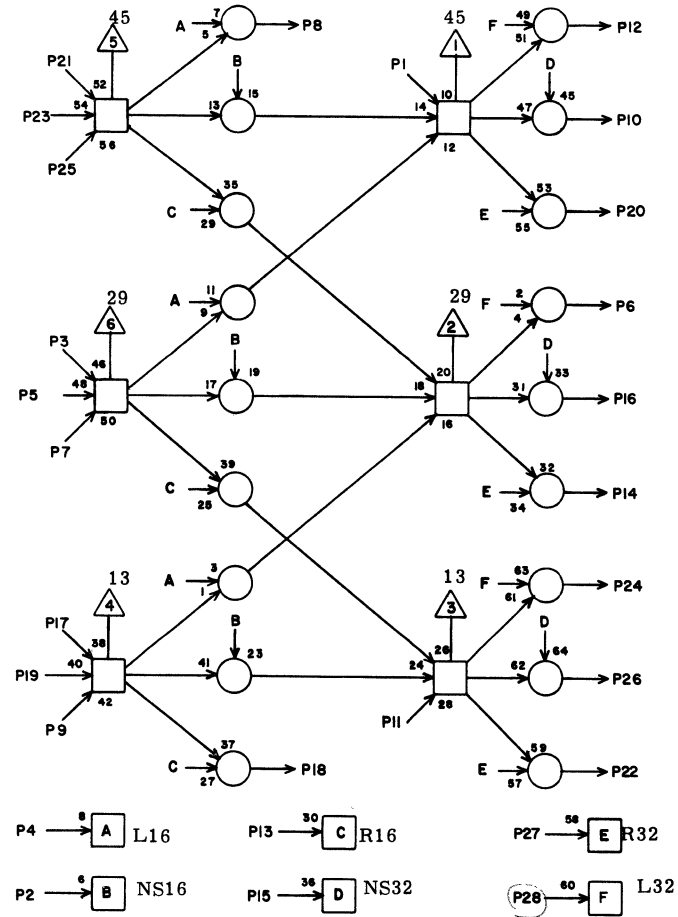


QF 8013

1	L17	15	15
2	MO8	15	11
3	PO9	22	11
4	MO7	15	13
5	PO8	16	11
6	IO1	11	27
7	PO7	12	11
8	PO2	20	15
9	PO6	6	11
10	IO1	21	25
11	OO9	8	7
12	IO6	19	25
13	MO9	15	13
14			
15	NO8	15	9
16	IO10	18	25
17	PO7	20	11
18			
19	PO7	26	11
20	IO5	15	27
21	P10	14	9
22			
23	PO9	10	9
24	IO5	23	25
25	PO9	24	9
26	IO5	17	27
27	NO9	15	11
28	NO7	15	11

JACK PIN LG

SHIFT NETWORK

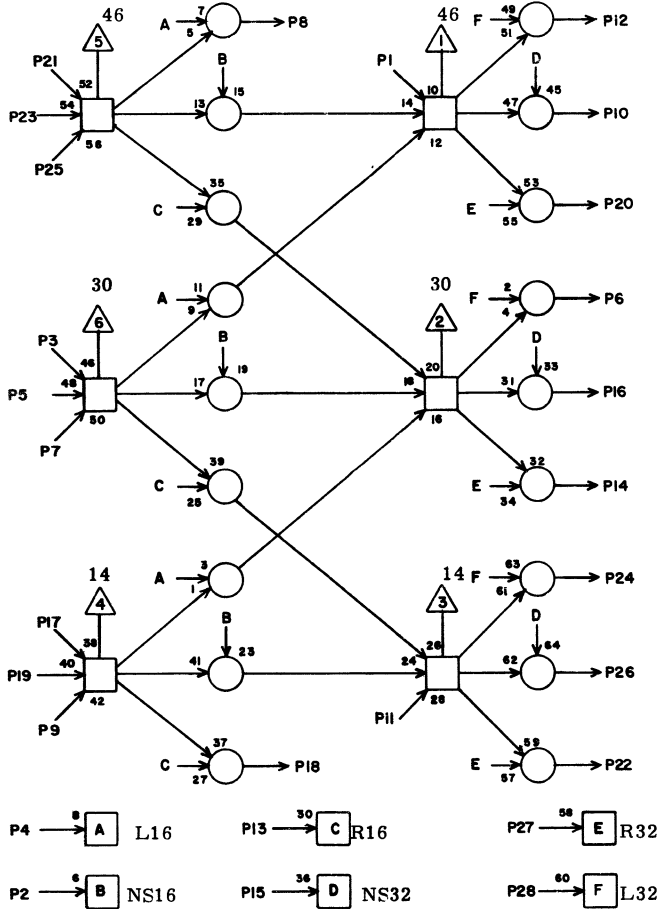


QF 8014

1	L17	17	15
2	MO8	17	13
3	P14	22	9
4	MO7	17	13
5	P13	16	9
6	IO1	19	27
7	P12	12	9
8	PO2	28	15
9	P11	6	9
10	IO1	8	29
11	IO10	8	7
12	IO6	23	25
13	MO9	17	13
14			
15	NO8	17	11
16	IO10	21	25
17	P12	20	9
18			
19	P12	26	9
20	IO5	20	27
21	P15	14	7
22			
23	P14	10	7
24	IO1	5	29
25	p14	24	7
26	IO5	18	27
27	NO9	17	11
28	NO7	17	11

JACK PIN LG

SHIFT NETWORK



QF

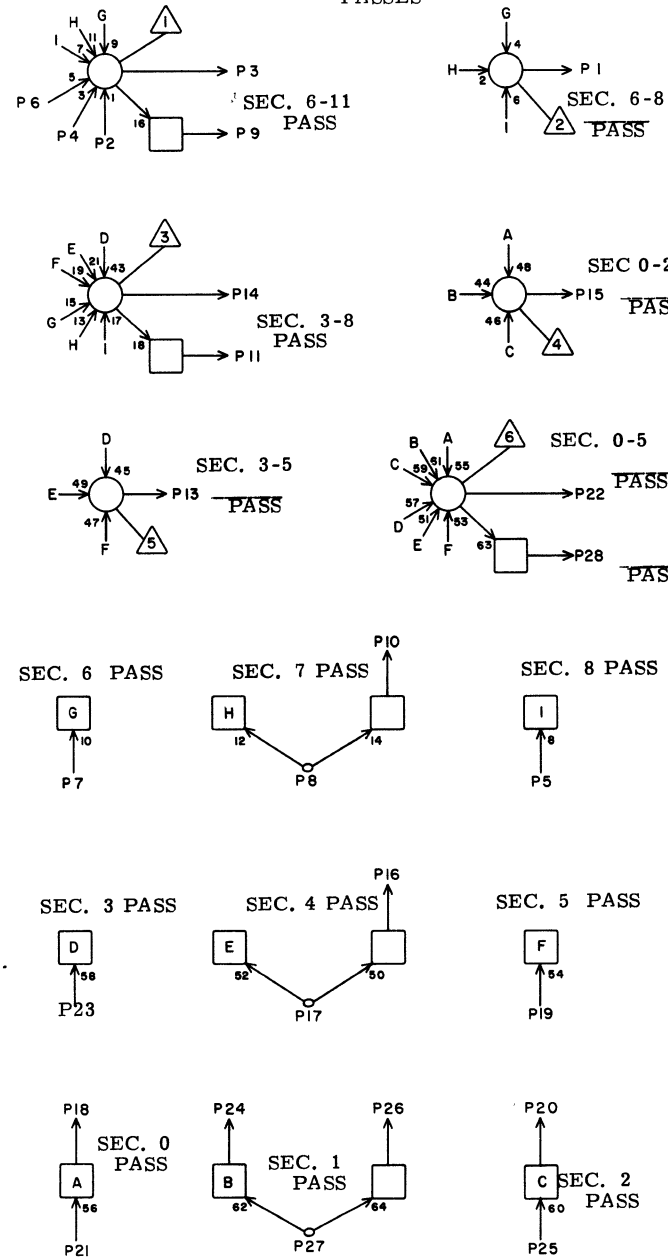
8015

1	L17	18	15
2	MO8	18	13
3	QO4	22	17
4	MO7	18	13
5	QO3	16	17
6	IO1	23	27
7	QO2	12	17
8	PO2	17	17
9	QO1	6	19
10	IO2	8	29
11	O11	8	7
12	IO7	11	27
13	MO9	18	13
14			
15	NO8	18	11
16	IO1	17	25
17	QO2	20	17
18			
19	QO2	26	17
20	IO5	25	27
21	QO5	14	15
22			
23	QO4	10	15
24	IO2	5	29
25	QO4	24	17
26	IO5	21	27
27	NO9	18	13
28	NO7	18	13

JACK PIN LG

63017200 Rev. E

ADD COEF. ADDER
PASSES



MI

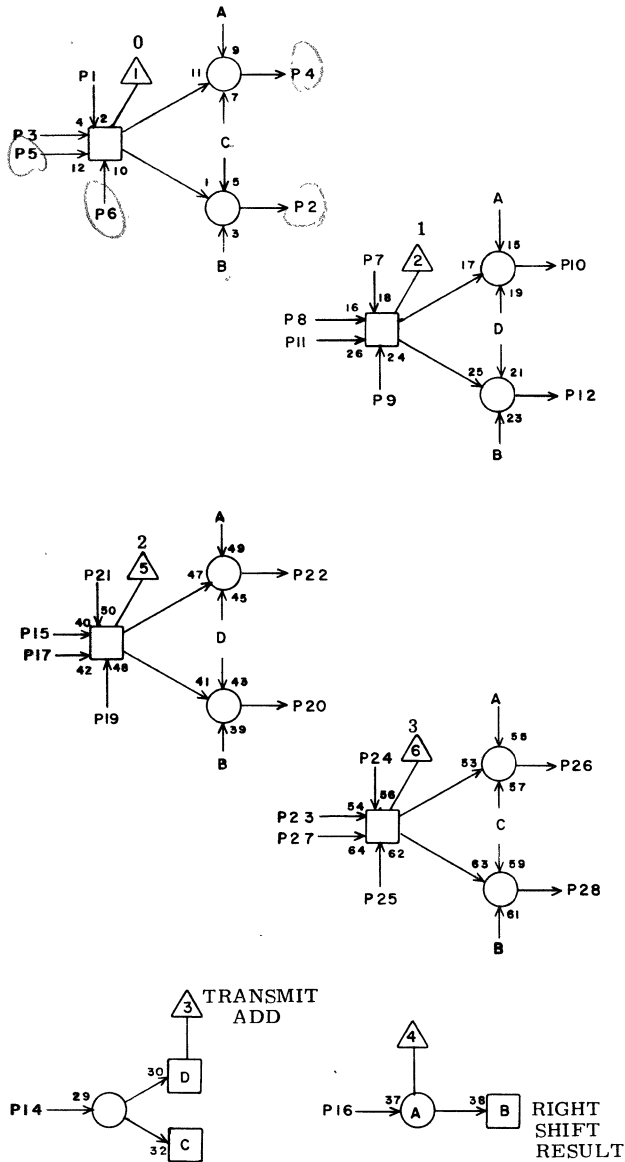
8016

1	Q16	5	13
2	L20	20	15
3	R16	20	17
4	L20	26	15
5	N35	14	21
6	L20	18	15
7	N34	14	21
8	N34	17	21
9	P16	6	7
10	Q16	18	13
11	P16	19	9
12			
13	Q16	21	13
14	R16	27	17
15	P16	5	11
16	P16	3	7
17	N33	14	19
18	L20	6	17
19	N33	17	19
20	L20	2	17
21	N31	14	19
22	Q16	20	13
23	N32	17	19
24	L20	4	17
25	N32	14	19
26	P16	18	7
27	N31	17	19
28	R16	6	13

JACK PIN LG

63017200 Rev. K

ADD RESULT AND SHIFT NETWORK



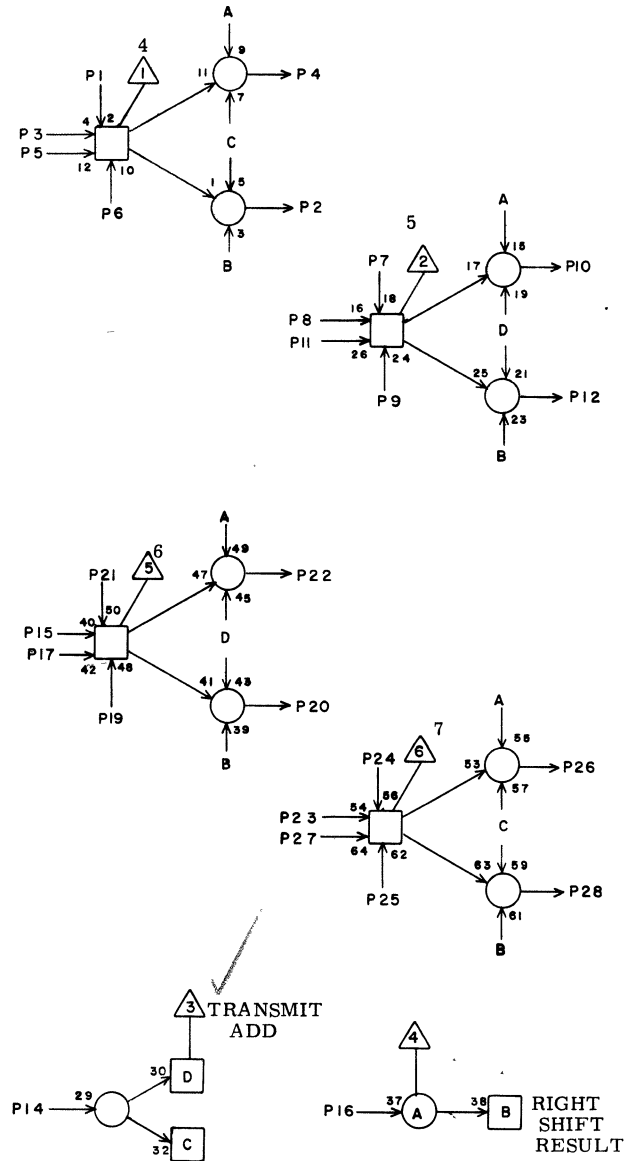
NA 8017

1	M29	22	15
2			
3	M29	25	15
4	M01	2	19
5	P28	16	15
6	P28	17	15
7	P29	1	15
8	P29	16	15
9	M30	1	17
10	M01	10	19
11	M30	16	17
12	M01	4	19
13			
14	N06	15	15
15	P29	22	15
16	N27	1	15
17	M30	22	17
18			
19	M30	25	17
20	M01	8	19
21	P29	25	15
22	M01	19	19
23	P30	1	15
24	P30	16	15
25	N28	1	15
26	M01	27	19
27	N28	16	15
28	M01	21	19

JACK PIN LG

63017200 Rev. E

ADD RESULT AND SHIFT NET.



NA 8018

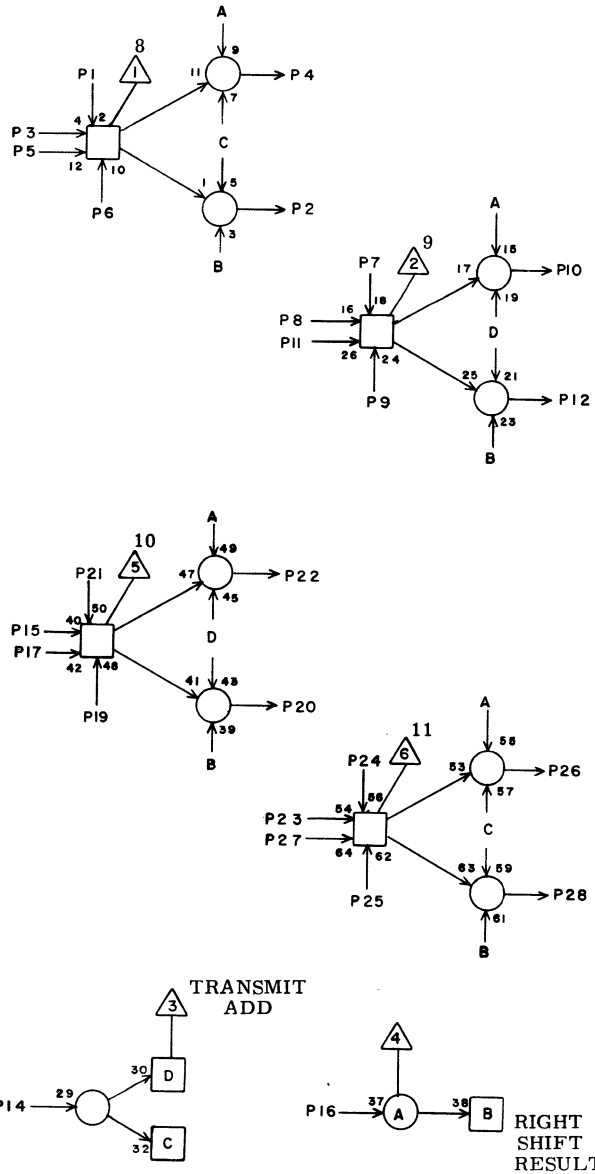
1	N28	22	13
2	M01	25	19
3	N28	25	13
4	M02	2	19
5	P30	22	15
6	P30	25	15
7	Q20	1	11
8	Q20	16	13
9	N29	1	15
10	M02	10	19
11	N29	16	13
12	M02	4	17
13			
14	N06	21	15
15	Q20	22	13
16	N27	3	13
17	N29	22	15
18			
19	N29	25	15
20	M02	8	19
21	Q20	25	13
22	M02	19	19
23	Q21	1	11
24	Q21	16	11
25	N30	1	15
26	M02	27	19
27	N30	16	15
28	M02	21	19

JACK PIN LG

63017200 Rev. E

8018

ADD RESULT AND SHIFT NET.



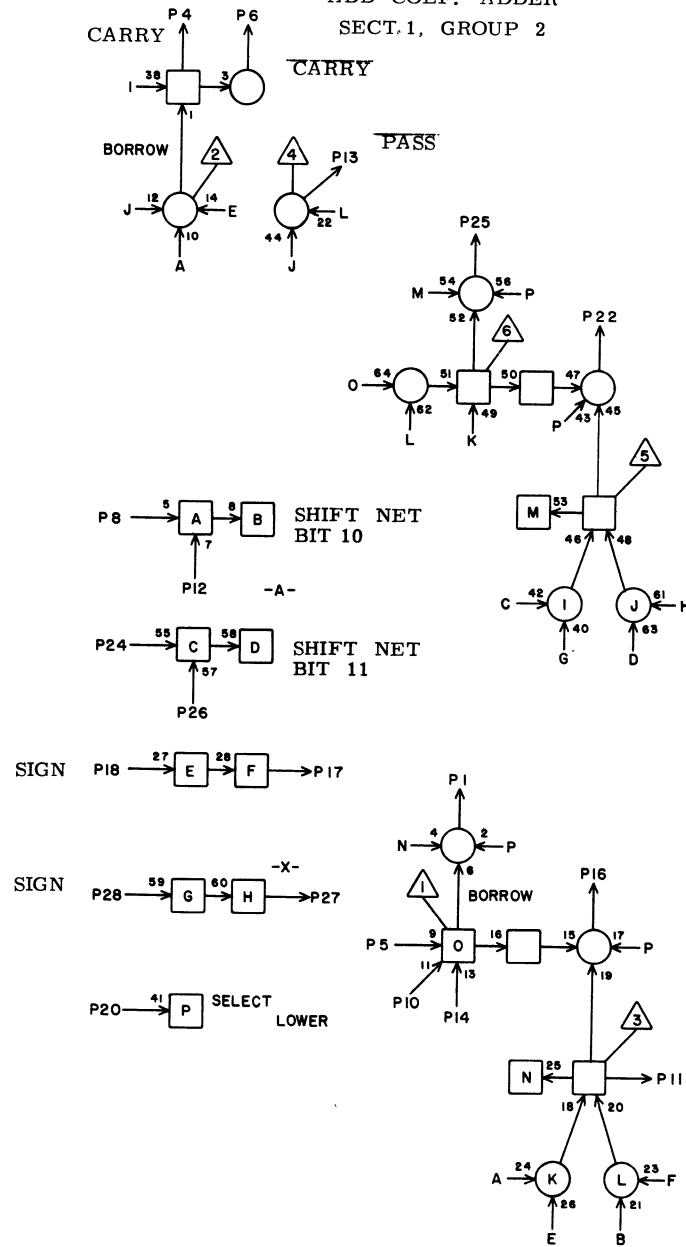
NA 8019

1	N30	22	13
2	M02	25	19
3	N30	25	13
4	M03	2	19
5	Q21	22	13
6	Q21	25	13
7	Q22	1	11
8	Q22	16	13
9	O20	1	5
10	M03	10	19
11	O20	16	5
12	M03	4	19
13			
14	N06	20	17
15	Q22	22	13
16	N27	5	13
17	O20	22	5
18			
19	O20	25	5
20	M03	8	19
21	Q22	25	13
22	M03	19	19
23	Q23	1	11
24	Q23	16	11
25	O21	1	7
26	M03	27	19
27	O21	16	7
28	M03	21	19

JACK PIN LG

63017200 Rev. E

ADD COEF. ADDER
SECT.1, GROUP 2



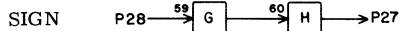
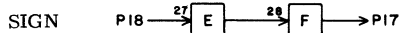
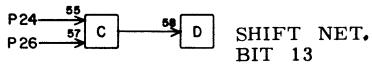
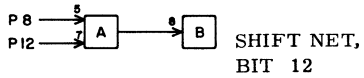
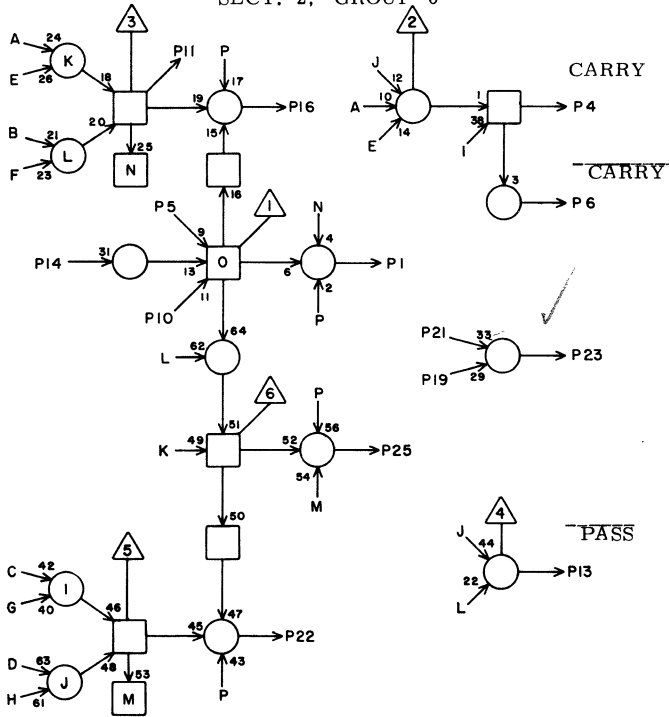
NG 8020

1	O19	9	5
2			
3			
4	N31	19	15
5	N30	6	13
6			
7			
8	Q41	6	23
9			
10	N31	23	15
11			
12	R40	22	25
13	N31	20	13
14	N31	26	15
15			
16	O19	11	5
17	P20	18	7
18	L32	9	21
19			
20	M17	6	13
21			
22	O19	17	5
23			
24	Q42	24	25
25	O19	19	5
26	R40	8	25
27	P20	28	7
28	L32	10	21

JACK PIN LG

63017200 Rev. E

ADD COEF. ADDER
SECT. 2, GROUP 0



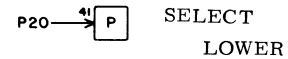
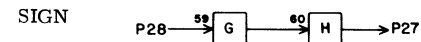
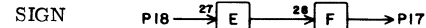
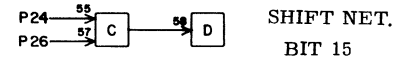
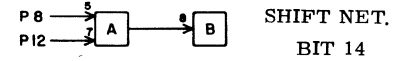
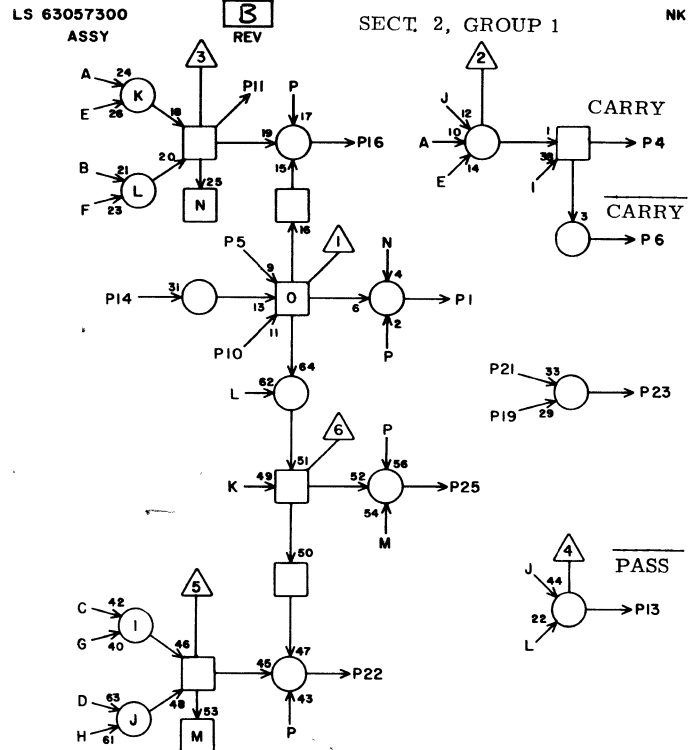
NK 8021

1	O19	25	7
2			
3			
4	N32	6	15
5			
6	O22	5	5
7			
8	Q42	6	23
9			
10			
11			
12	R41	22	25
13	N32	2	15
14	N17	12	9
15			
16	O19	27	7
17	P21	18	7
18	L32	16	19
19			
20	M17	7	13
21	L30	21	21
22	P17	1	7
23	N27	9	13
24	R33	24	19
25	P17	3	7
26	R41	8	25
27	P21	28	7
28	L32	13	19

JACK PIN LG

63017200 Rev. E

ADD COEF. ADDER
SECT. 2, GROUP 1



NK

8022

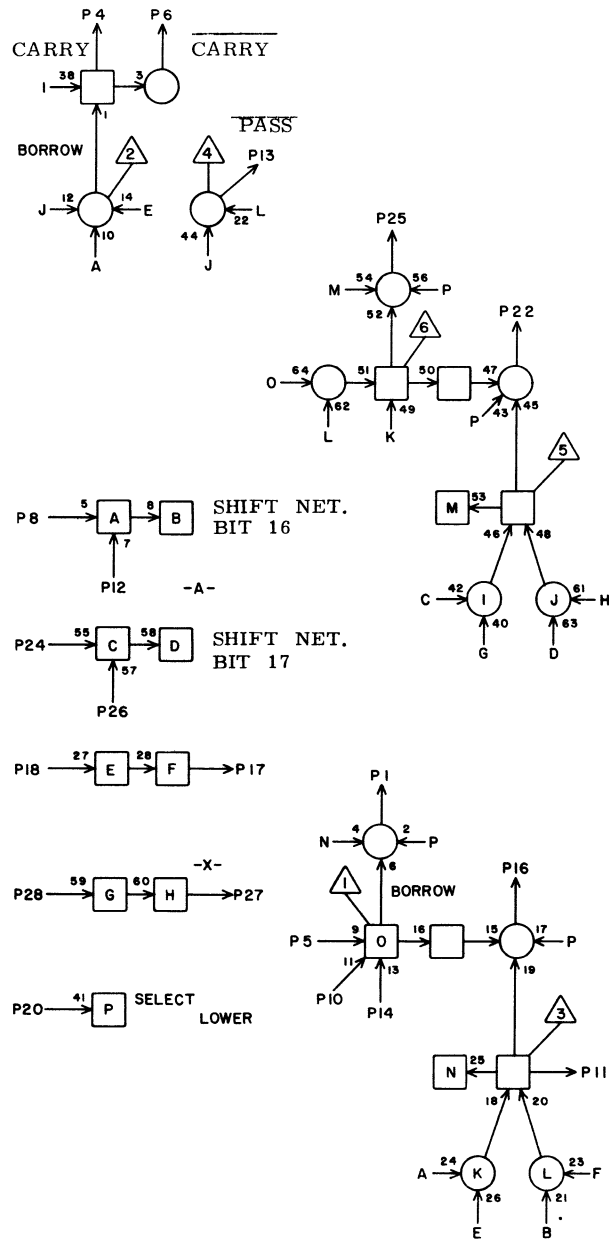
1	P17	9	11
2			
3			
4	N32	8	13
5	O21	6	5
6	O23	5	5
7			
8	R33	6	19
9			
10	N32	1	15
11			
12	R42	22	25
13	N32	7	13
14	N38	15	21
15			
16	P17	11	9
17	P22	18	7
18	L32	15	21
19	F22	17	35
20	M17	8	15
21	H24	22	31
22	P17	17	9
23	H06	24	31
24	R34	24	19
25	P17	19	9
26	R42	8	25
27	P22	28	7
28	L32	17	19

JACK PIN LG

CIRCUIT SPECIFICATION 11827600

63017200 Rev. AD

ADD COEF. ADDER
SECT. 2, GROUP 2

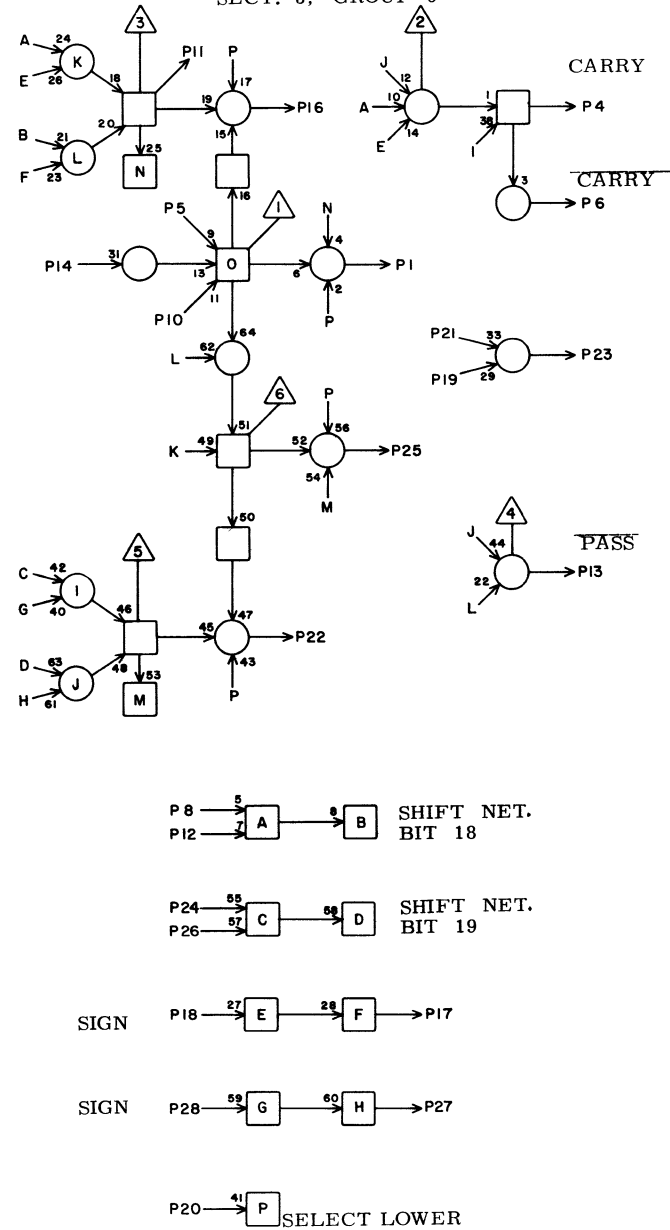


NG 8023

1	P17	25	13
2			
3			
4	N32	10	13
5	O22	6	5
6			
7			
8	R34	6	19
9			
10	N32	4	13
11			
12	P41	22	21
13	N32	9	13
14	N32	5	13
15			
16	P17	27	11
17	P23	18	7
18	L32	18	19
19			
20	M17	9	15
21			
22	P18	1	9
23			
24	R35	28	19
25	P18	3	9
26	P33	26	13
27	P23	28	7
28	L32	19	19

JACK PIN LG

ADD COEF. ADDER
SECT. 3, GROUP 0



NK 8024

1	P18	9	11
2			
3			
4	N32	25	11
5			
6	O25	5	5
7			
8	R35	4	19
9			
10			
11			
12	P33	2	13
13	N32	27	11
14	P16	15	13
15			
16	P18	11	11
17	P24	18	7
18	L32	20	17
19	L37	1	21
20	M17	10	15
21	F26	15	37
22	P18	17	9
23	Q29	19	13
24	R36	28	19
25	P18	19	11
26	P34	26	13
27	P24	28	7
28	L32	21	17

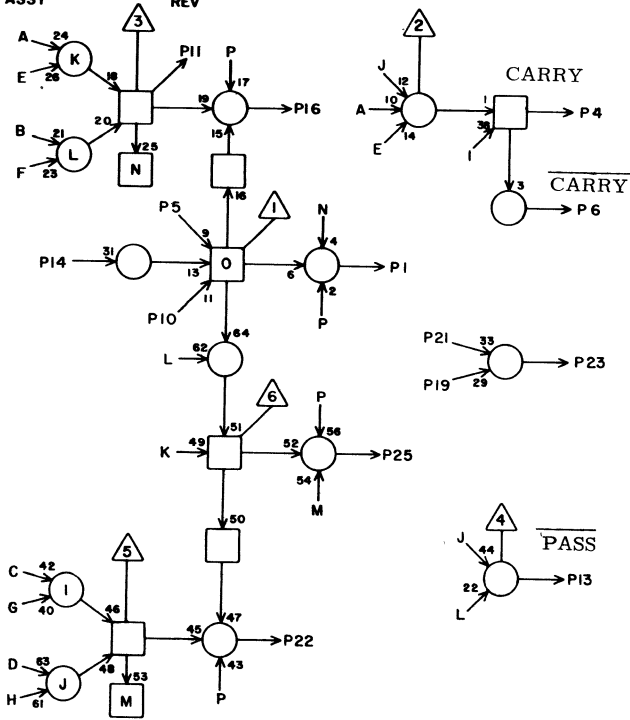
JACK PIN LG

LS 63057300
ASSY

REV B

ADD COEF. ADDER
SECT. 3, GROUP 1

NK



P 8 → 5 A → 8 B SHIFT NET.
P 12 → 7 BIT 20

P 24 → 55 C → 58 D SHIFT NET.
P 26 → 57 BIT 21

SIGN P 18 → 27 E → 28 F → P 17

SIGN P 28 → 59 G → 60 H → P 27

P 20 → 41 P SELECT LOWER

8025

1	P18	25	13
2			
3			
4	N32	21	11
5	O24	6	5
6	O26	5	5
7			
8	R36	4	19
9			
10	N32	28	11
11			
12	P34	2	13
13	N32	22	11
14	N39	15	21
15			
16	P18	27	11
17	P25	18	7
18	L32	22	17
19			
20	M17	11	15
21	M19	2	15
22	P19	1	9
23			
24	R37	28	19
25	P19	3	9
26	P35	26	13
27	P25	28	7
28	L32	23	17

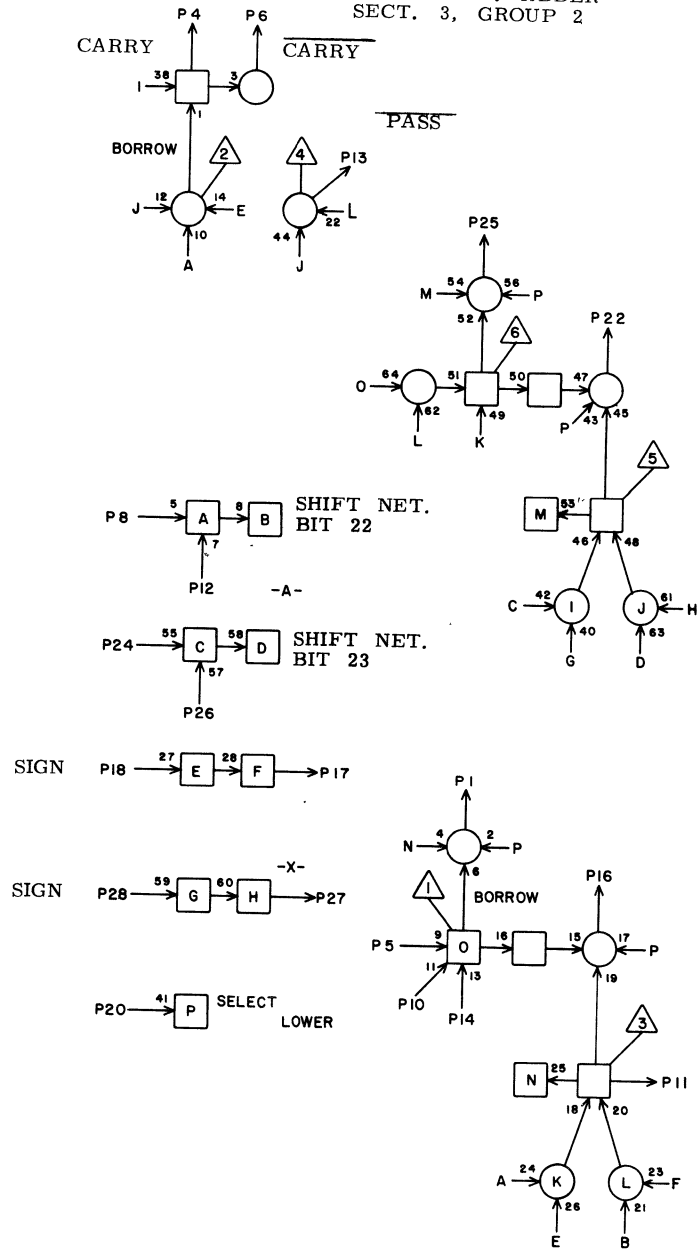
JACK PIN LG
CIRCUIT SPECIFICATION 11827600

63017200 Rev. AD

ADD COEF. ADDER
SECT. 3, GROUP 2

NG

8026



P 8 → 5 A → 8 B SHIFT NET.
P 12 → 7 BIT 22
-A-

P 24 → 55 C → 58 D SHIFT NET.
P 26 → 57 BIT 23

SIGN P 18 → 27 E → 28 F → P 17

SIGN P 28 → 59 G → 60 H → P 27

P 20 → 41 P SELECT LOWER

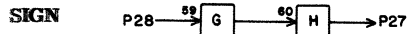
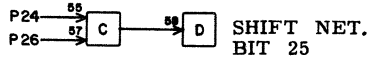
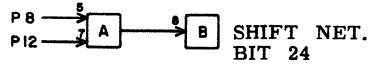
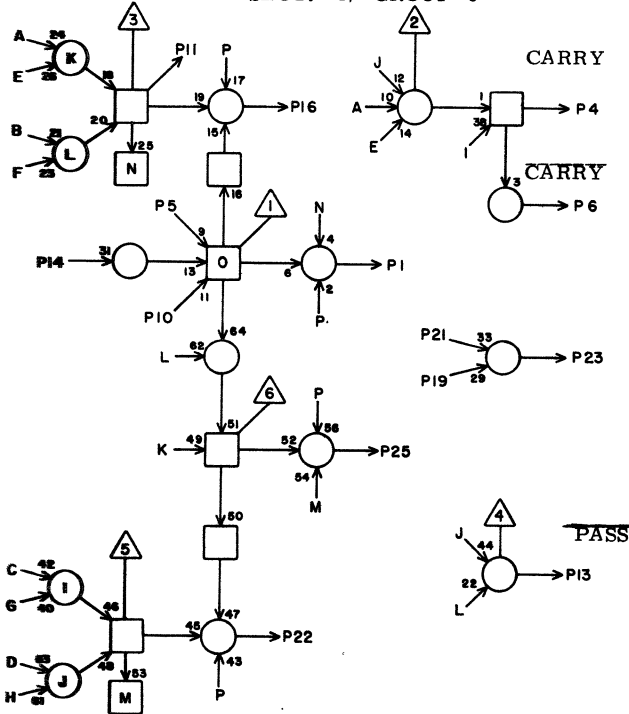
8026

1	P19	9	11
2			
3			
4	N32	19	11
5	O25	6	5
6			
7			
8	R37	4	19
9			
10	N32	23	11
11			
12	P35	2	13
13	N32	20	9
14	N32	26	9
15			
16	P19	11	11
17	P26	18	7
18	L32	24	15
19			
20	M17	13	15
21			
22	P19	17	11
23			
24	R38	28	19
25	P19	19	11
26	P36	26	13
27	P26	28	7
28	L32	25	17

JACK PIN LG

63017200 Rev. E

ADD COEF. ADDER
SECT. 4, GROUP 0



NK 8027

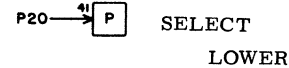
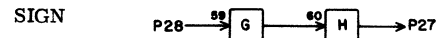
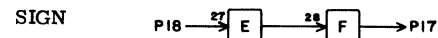
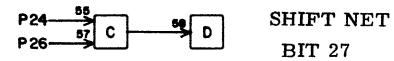
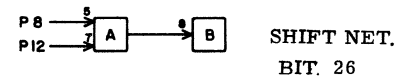
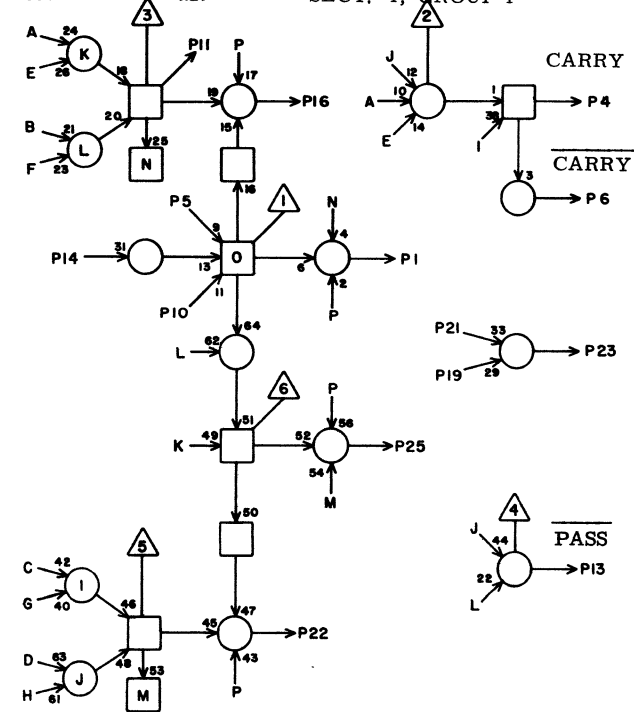
1	P19	25	13
2			
3			
4	N33	6	11
5			
6	O28	5	5
7			
8	R38	4	19
9			
10			
11			
12	P36	2	13
13	N33	2	11
14	N17	24	13
15			
16	P19	27	13
17	P27	18	7
18	L32	26	15
19	K39	1	23
20	M17	15	15
21	G18	17	33
22	Q17	1	15
23	M32	5	15
24	R39	28	19
25	Q17	3	15
26	Q33	26	13
27	P27	28	7
28	L32	27	17

JACK PIN LG

63017200 Rev. E

LS 63057300
ASSY

ADD COEF. ADDER
SECT. 4, GROUP 1



NK

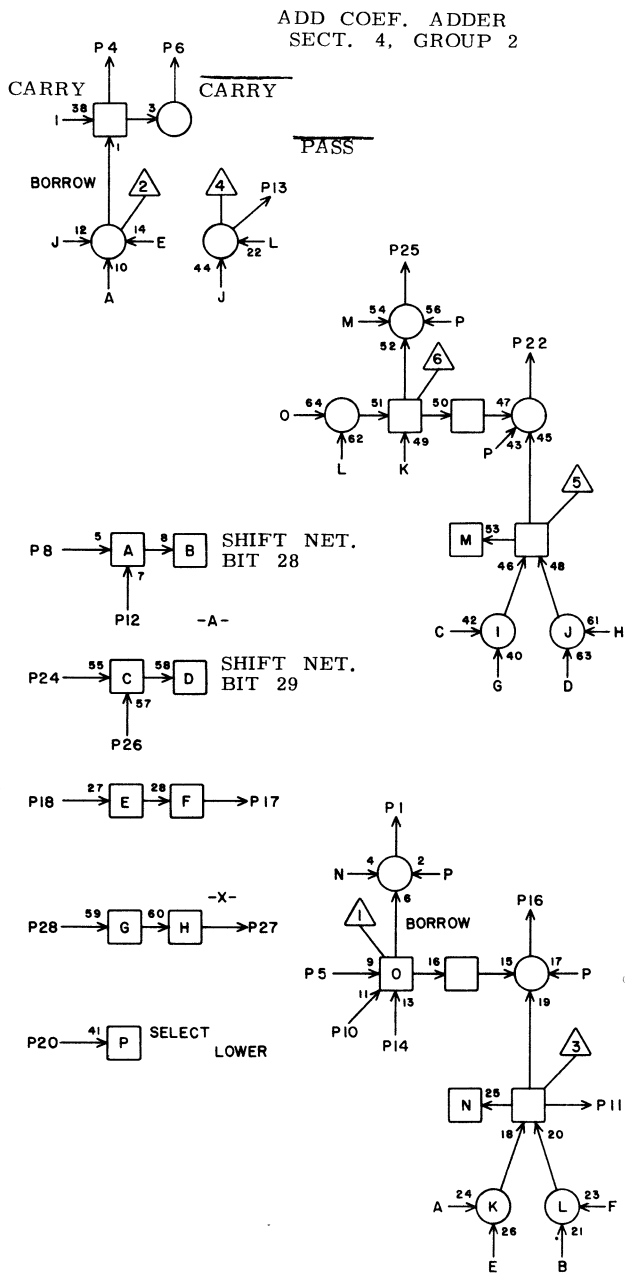
8028

1	Q17	9	17
2			
3			
4	N33	8	9
5	O27	6	5
6	O29	5	5
7			
8	R39	4	19
9			
10	N33	1	11
11			
12	Q33	2	13
13	N33	7	11
14	D37	15	13
15			
16	Q17	11	15
17			
18	N28	17	7
19	O20	6	45
20	M17	17	17
21	H21	20	31
22	Q17	17	15
23	A23	22	53
24	R40	28	19
25	Q17	19	15
26	Q34	26	13
27			
28	N28	27	7

JACK PIN LG

CIRCUIT SPECIFICATION 11827600

63017200 Rev. AD

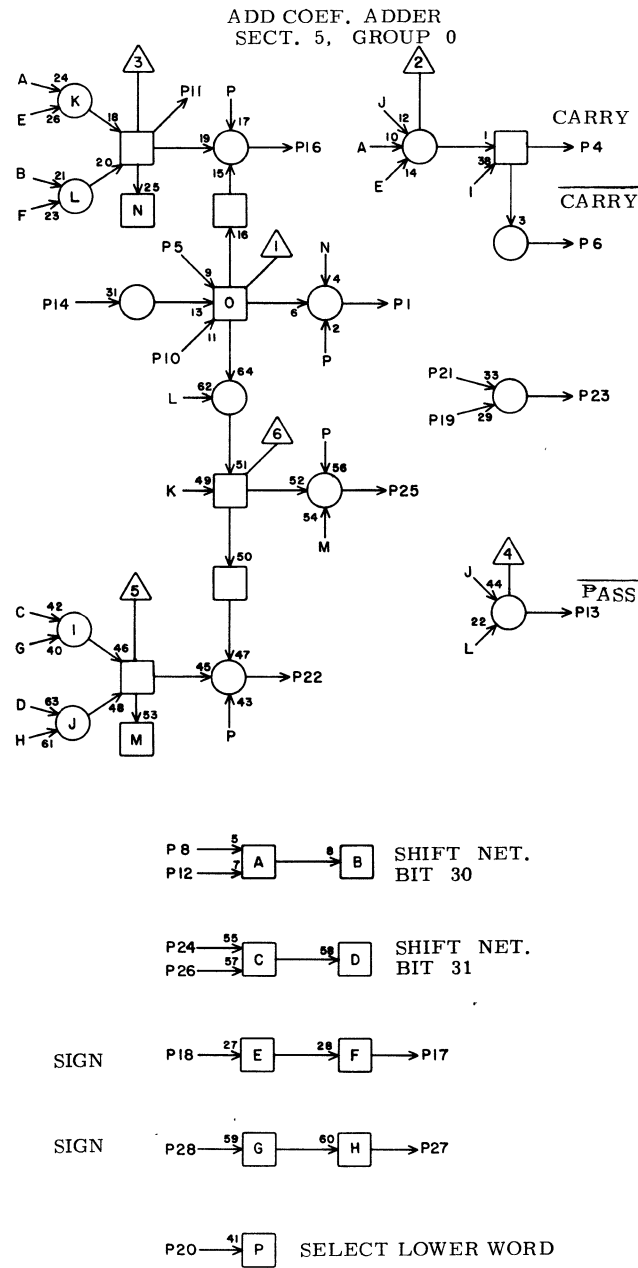


NG 8029

1	Q17	25	17
2			
3			
4	N33	10	9
5	O28	6	5
6			
7			
8	R40	4	19
9			
10	N33	4	9
11			
12	Q34	2	13
13	N33	9	9
14	N33	5	9
15			
16	Q17	27	17
17			
18	N29	17	7
19			
20	M17	18	17
21			
22	Q18	1	15
23			
24	R41	28	19
25	Q18	3	15
26	Q35	26	13
27			
28	N29	27	7

JACK PIN LG

63017200 Rev. E



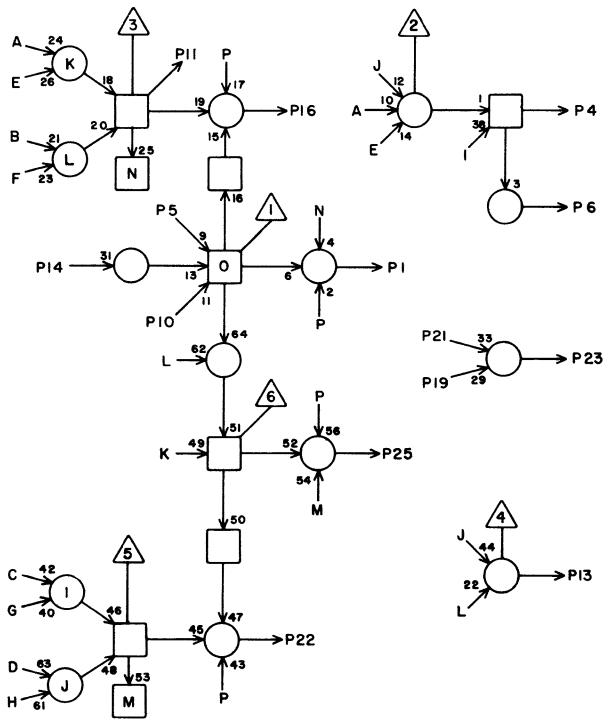
8030

NK 8030

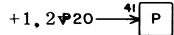
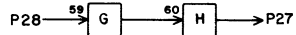
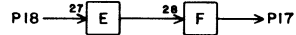
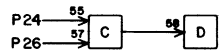
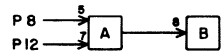
1	Q18	9	17
2			
3			
4	N33	25	7
5			
6	P20	5	13
7			
8	R41	4	19
9			
10			
11			
12	Q35	2	13
13	N33	27	7
14	N17	18	15
15			
16	Q18	11	17
17	O32	21	7
18	N30	17	7
19	H09	15	35
20	M17	19	17
21	H22	14	31
22	Q18	17	17
23	B26	17	49
24	R42	28	19
25	Q18	19	15
26	Q36	26	13
27			
28	N30	27	7

JACK PIN LG

63017200 Rev. AB



SIGN



NK

8031

1	K29	8	19
2			
3			
4			
5	O32	18	5
6			
7			
8	P32	26	11
9			
10			
11			
12			
13			
14	N19	16	15
15			
16	K29	21	19
17	H09	5	35
18	R30	23	17
19			
20	O36	15	9
21	F19	11	39
22			
23	G17	26	35
24			
25			
26			
27			
28			

JACK PIN LG

63017200 Rev. J

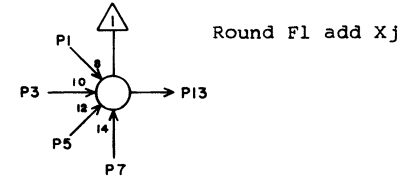
TI

8032

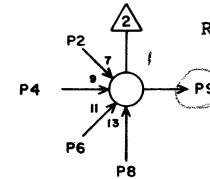
1	D17	8	49
2	R30	17	17
3	K20	15	23
4	R30	16	17
5	H10	19	120
6	P28	19	33
7	F13	7	45
8	P28	20	9
9	H24	3	29
10	H09	12	35
11	R15	21	23
12	C24	10	51
13	K29	9	19
14	L13	17	23
15	O32	20	7
16	C27	5	49
17	F21	9	37
18	O31	5	5
19	F21	17	37
20	O32	15	7
21	O30	17	7
22	Q29	23	11
23	H09	20	37
24	L40	8	19
25	H09	17	37
26	H22	7	33
27	L40	14	180
28			

JACK PIN LG

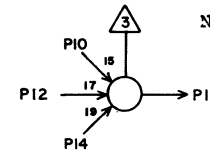
63017200 Rev. AB



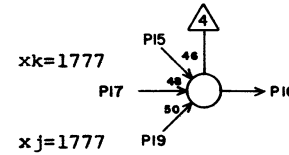
Round F1 Add Xk



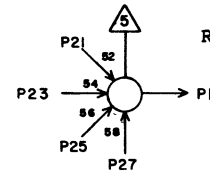
Normalize
sequence



x;+Xk*3777+like signs



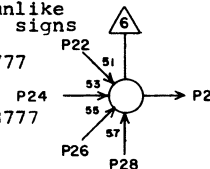
Round F1 add



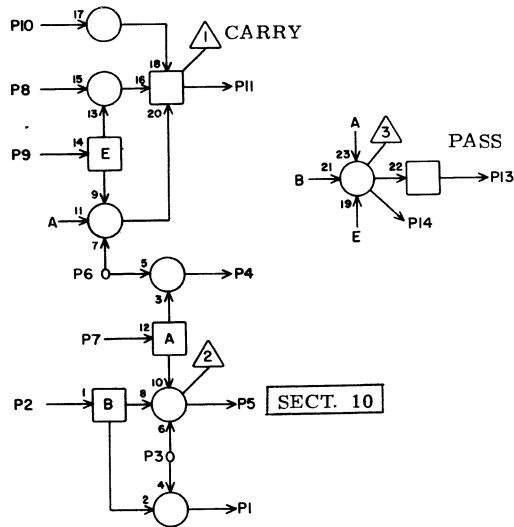
exp unlike
signs

xk=3777

xj=3777



ADD COEF. ADDER

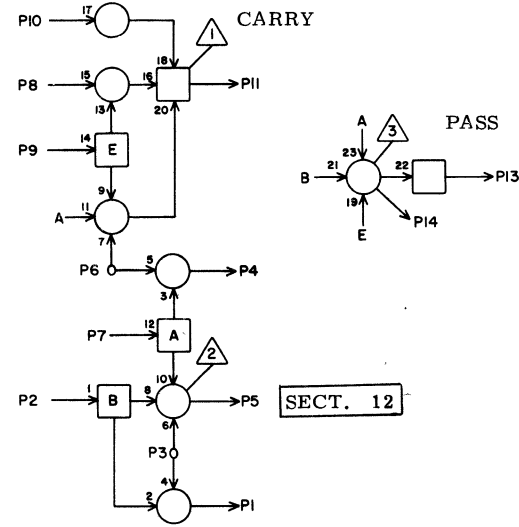


NH 8033

1	Q24	10	15
2	Q23	13	15
3	N18	22	19
4	Q25	10	15
5	Q25	14	15
6	Q23	4	15
7	Q24	13	15
8	Q24	4	15
9	Q25	13	15
10	Q25	4	15
11	N18	28	19
12			
13	N18	25	17
14	L20	27	19
15			
16	N18	26	17
17	L20	25	19
18	N18	23	17
19	Q28	4	13
20	Q28	13	13
21	Q27	4	13
22	Q27	13	13
23	Q28	10	13
24	N18	16	17
25	Q26	4	13
26	Q28	14	13
27	Q26	13	13
28	Q27	10	13

JACK PIN LG

ADD COEF. ADDER

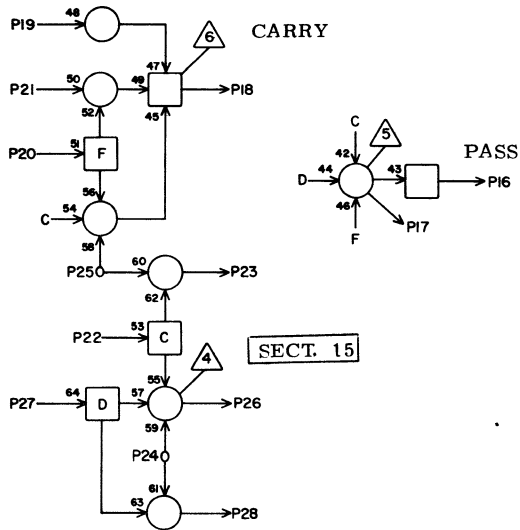
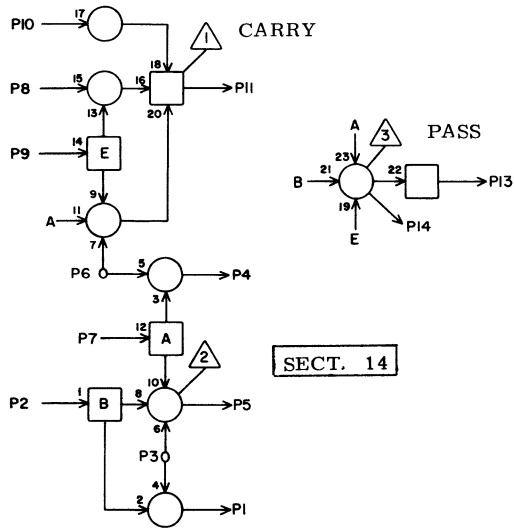


NH 8034

1	Q30	10	13
2	Q29	13	13
3	R16	22	25
4	R20	10	21
5	R20	14	21
6	Q29	4	13
7	Q30	13	13
8	Q30	4	13
9	R20	13	21
10	R20	4	19
11	N19	2	19
12			
13	R16	16	25
14	L20	23	19
15			
16	N19	4	19
17	L20	17	21
18	N19	1	19
19	R23	4	17
20	R23	13	17
21	R22	4	19
22	R22	13	19
23	R23	10	19
24	N19	5	19
25	R21	4	19
26	R23	14	17
27	R21	13	19
28	R22	10	19

JACK PIN LG

ADD COEF. ADDER

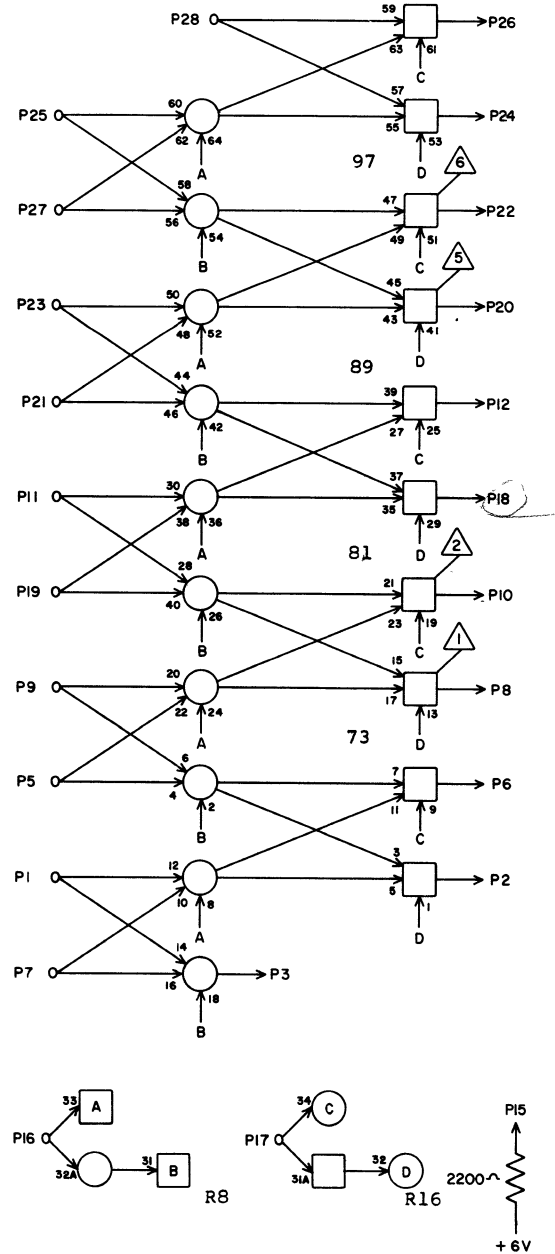


NH 8035

	JACK	PIN	LG
1	R25	10	19
2	R24	13	19
3	N19	13	17
4	R26	10	17
5	R26	14	19
6	R24	4	19
7	R25	13	19
8	R25	4	17
9	R26	13	17
10	R26	4	17
11	N19	8	19
12			
13	N19	3	19
14	L20	19	21
15			
16	R16	7	23
17	L20	7	23
18	N19	27	17
19	R29	4	15
20	R29	13	15
21	R28	4	15
22	R28	13	15
23	R29	10	17
24	R16	2	23
25	R27	4	15
26	R29	14	15
27	R27	13	17
28	R28	10	15

63017200 Rev. E.

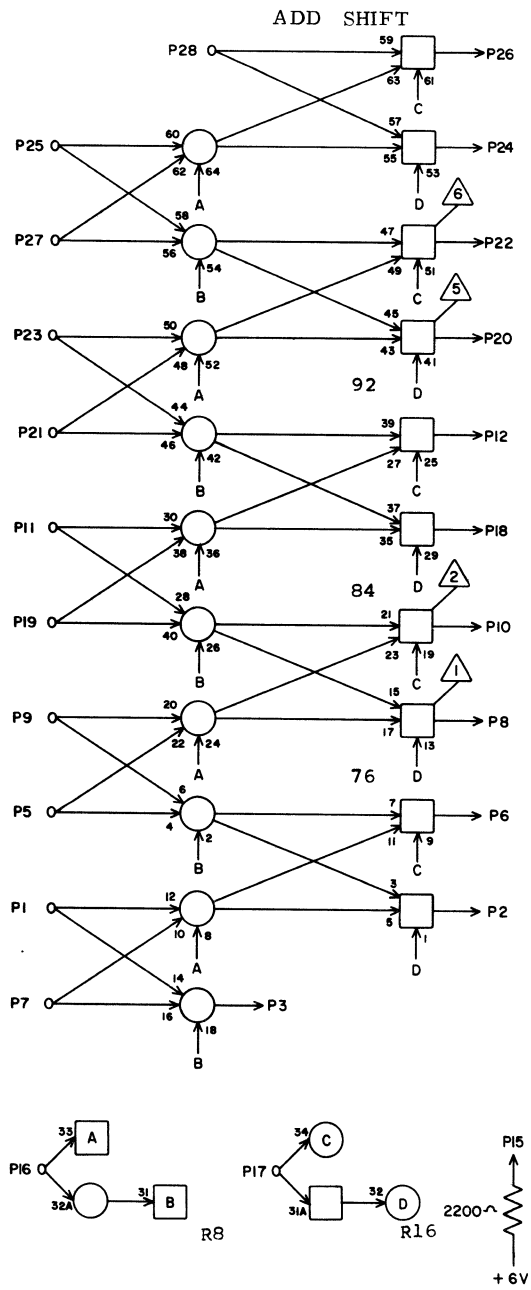
ADD SHIFT



NE 8036

	JACK	PIN	LG
1	M38	8	11
2	Q33	19	13
3	M42	28	11
4			
5	M38	22	11
6	Q41	21	15
7	M36	26	9
8	Q37	19	13
9	M40	2	13
10	R35	25	17
11	M40	24	11
12	R39	25	17
13			
14			
15	031	20	9
16	L39	19	15
17	L39	10	17
18	Q41	19	13
19	M40	12	13
20	R35	23	15
21	P42	22	11
22			
23	P32	24	9
24			
25	036	X	2
26			
27	P32	10	9
28	036	X	2

63017200 Rev. E.

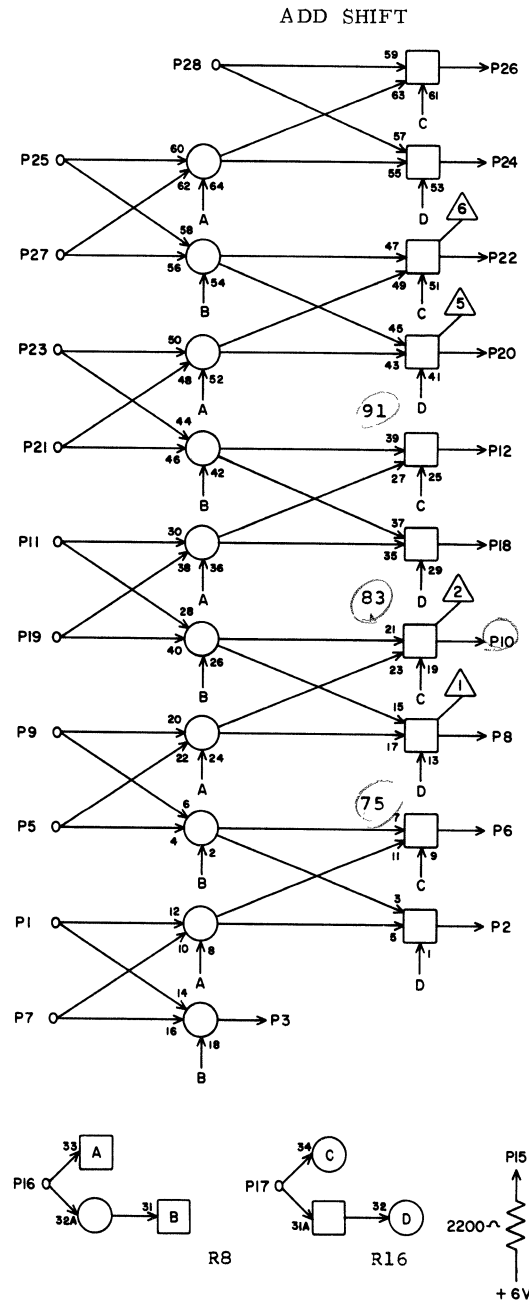


NE 8037

JACK	PIN	LG
1	M37	18 11
2	Q34	9 13
3	N36	28 5
4		
5	M37	26 9
6	Q42	11 13
7	M37	6 11
8	Q38	9 13
9	M39	8 13
10	R36	3 15
11	P42	4 9
12	R40	3 15
13		
14		
15	O28	14 13
16	L39	17 15
17	L39	12 15
18	Q42	9 13
19	M39	22 11
20		
21	P32	11 9
22		
23	O37	X 2
24		
25		
26		
27		
28		

JACK PIN LG

63017200 Rev. T

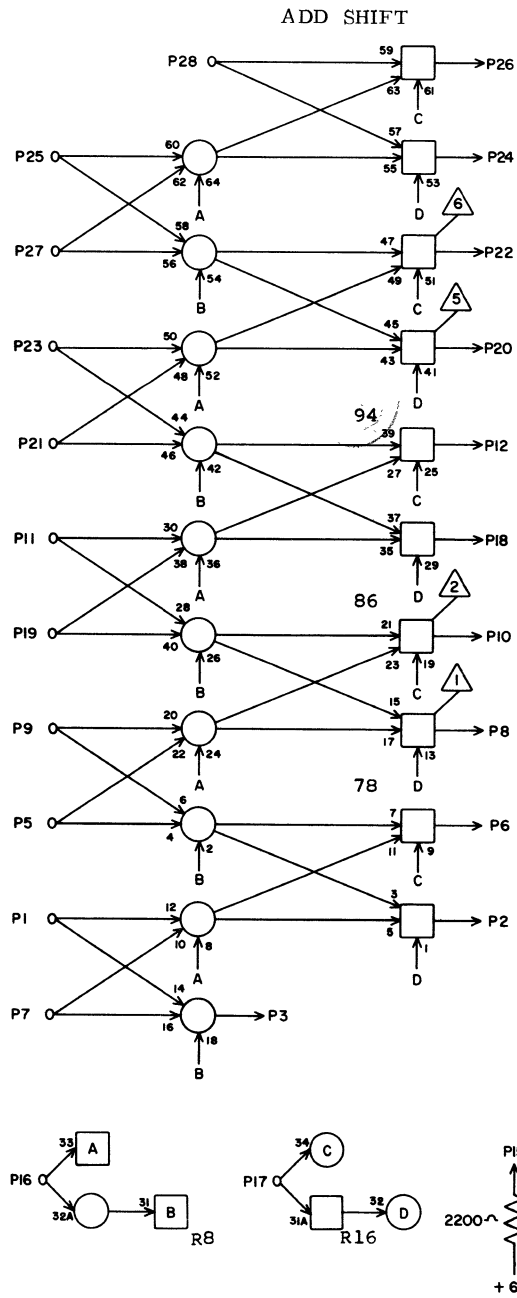


NE 8038

JACK	PIN	LG
1	M38	18 11
2	Q34	19 13
3	N37	28 5
4		
5	M38	26 9
6	Q42	21 13
7	M38	6 11
8	Q38	19 13
9	M40	8 13
10	R36	25 17
11	P42	28 11
12	R40	25 17
13		
14		
15		
16	L39	27 15
17	L39	2 17
18	Q42	19 13
19	M40	22 11
20		
21	P32	13 11
22		
23	O38	X 2
24		
25		
26		
27		
28		

JACK PIN LG

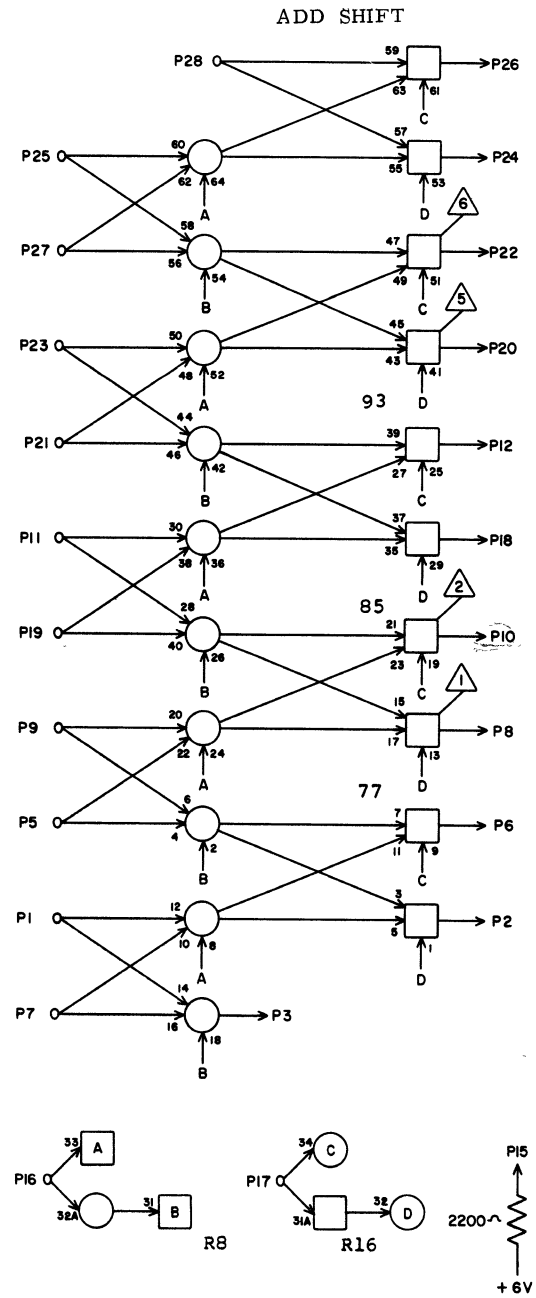
63017200 Rev. B



NE 8039

JACK	PIN	LG
1	M37	20 11
2	Q35	9 13
3	N38	28 5
4		
5	M39	6 11
6	R33	11 17
7	M37	10 11
8	Q39	9 11
9	M39	18 11
10	R37	3 15
11	L40	2 17
12	R41	3 15
13		
14		
15		
16	L40	16 15
17	L40	5 17
18	R33	9 15
19	M39	26 11
20		
21	P32	15 11
22		
23	038	X 2
24		
25		
26		
27		
28		

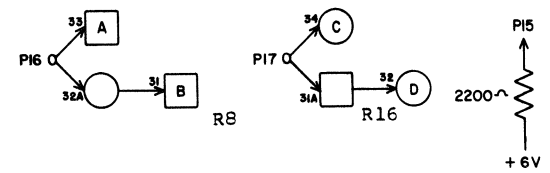
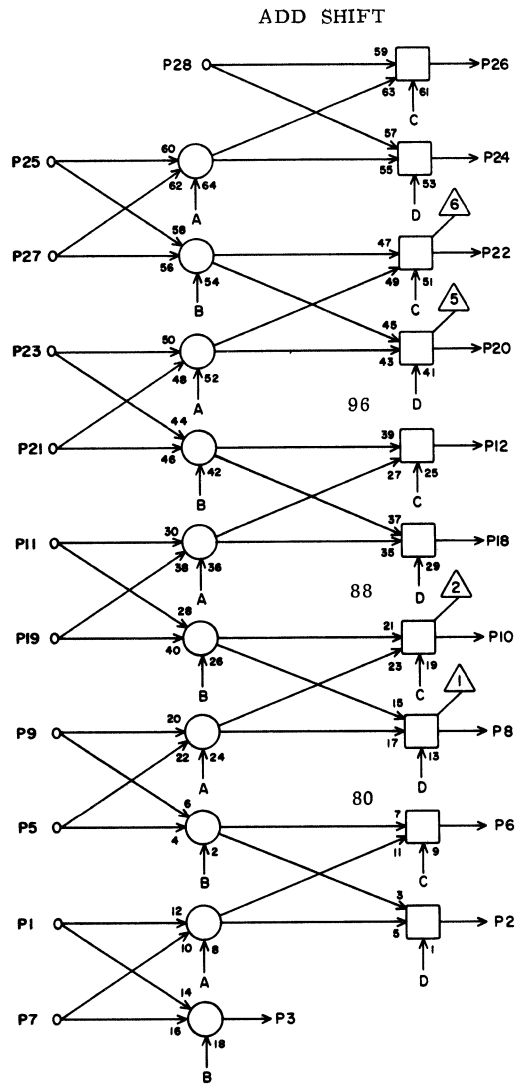
63017200 Rev. E



NE 8040

JACK	PIN	LG
1	M38	20 11
2	Q35	19 13
3	N39	28 5
4		
5	M40	6 11
6	R33	21 17
7	M38	10 11
8	Q39	19 13
9	M40	18 11
10	R37	25 17
11	L40	4 17
12	R41	25 17
13		
14		
15		
16	L40	18 15
17	L40	9 15
18	R33	19 17
19	M40	26 11
20		
21	P32	17 3
22		
23	040	X 2
24		
25		
26		
27		
28		

63017200 Rev. E

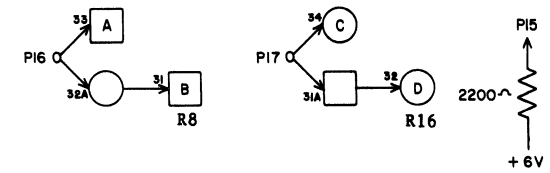
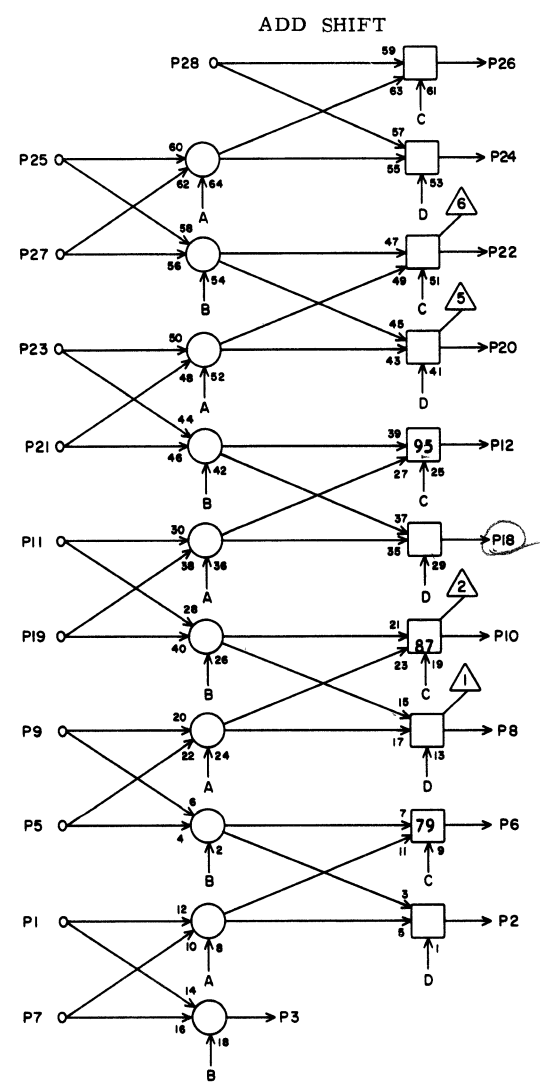


NE 8041

JACK	PIN	LG
1	M37	24 11
2	Q36	9 13
3	N40	28 5
4		
5	M39	10 11
6	R34	11 17
7	M37	12 13
8	Q40	9 11
9	M39	20 11
10	R38	3 15
11	L40	10 15
12	R42	3 15
13		
14		
15		
16	L40	20 15
17	L40	11 15
18	R34	9 15
19	P42	2 7
20		
21	P32	18 13
22		
23	041	X 2
24		
25		
26		
27		
28		

JACK PIN LG

63017200 Rev. E



8042

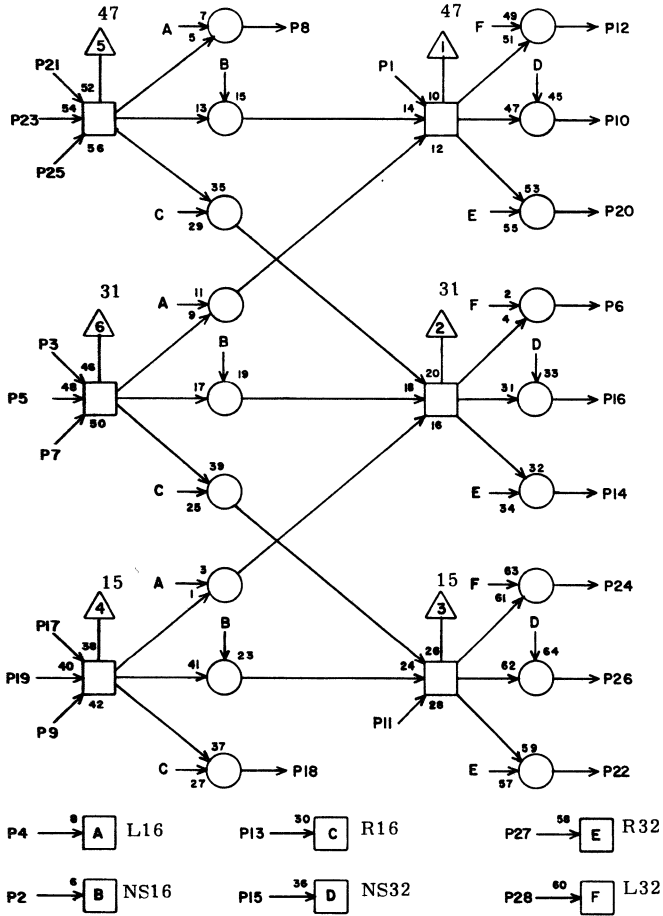
NE 8042

JACK	PIN	LG
1	M38	24 11
2	Q36	19 15
3	N41	28 5
4		
5	M40	10 11
6	R34	21 17
7	M38	12 13
8	Q40	19 13
9	M40	20 11
10	R38	25 17
11	L40	12 15
12	R42	25 17
13		
14		
15		
16	L40	24 15
17	L40	13 15
18	R34	19 17
19	P42	26 7
20		
21	P32	19 13
22		
23	GND	X 2
24		
25		
26		
27		
28		

JACK PIN LG

63017200 Rev. E

SHIFT NETWORK

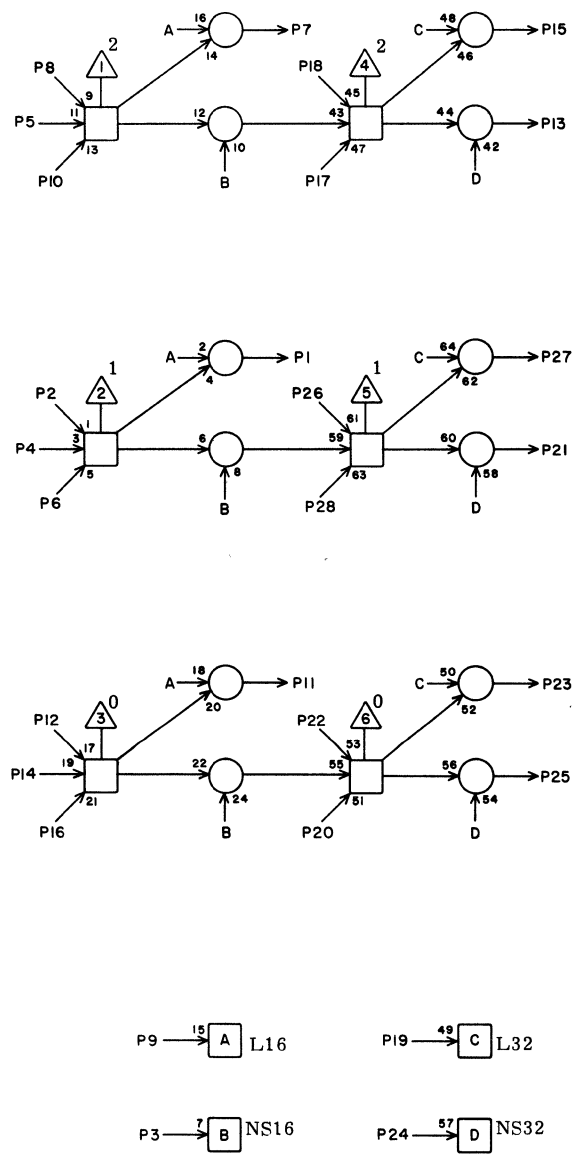


QF 8P01

1	L17	19	28
2	M08	19	15
3	Q09	22	13
4	M07	19	15
5	Q08	16	11
6	I02	11	29
7	Q07	12	11
8	P03	20	5
9	Q06	6	9
10	I03	8	29
11	O12	8	15
12	I07	19	29
13	M09	19	17
14			
15	N08	19	13
16	I11	18	31
17	Q07	20	11
18			
19	Q07	26	11
20	I06	15	29
21	Q10	14	13
22			
23	Q09	10	11
24	I03	5	29
25	Q09	24	11
26	I06	17	31
27	N09	19	15
28	N07	19	15

JACK PIN LG

SHIFT NETWORK

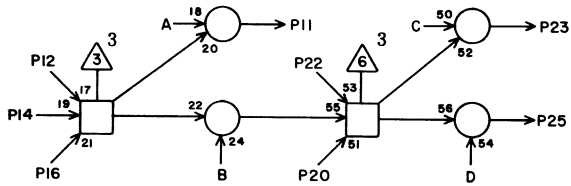
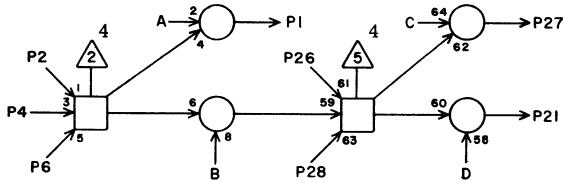
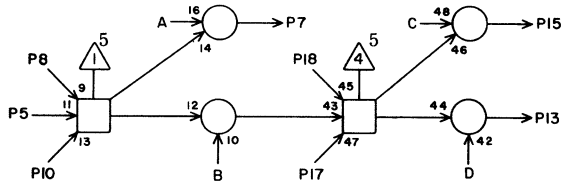


KF 8P02

1	O02	11	7
2	P11	20	13
3	M08	20	15
4	P11	26	13
5	Q01	26	9
6	P15	6	15
7	O03	11	7
8	Q01	20	7
9	M07	20	15
10	Q05	6	7
11	O01	11	7
12	P06	20	7
13	I01	21	29
14	P06	26	7
15	I12	19	31
16	P10	6	11
17	O15	8	17
18	O03	18	7
19	N07	20	13
20	O13	8	15
21	I01	18	29
22	O01	18	9
23	I11	23	31
24	N08	20	13
25	I01	17	29
26	O02	18	9
27	I12	11	31
28	O14	8	15

JACK PIN LG

SHIFT NETWORK



P9 → 15 A L16

P19 → 49 C L32

P3 → 7 B NS16

P24 → 57 D NS32

KF

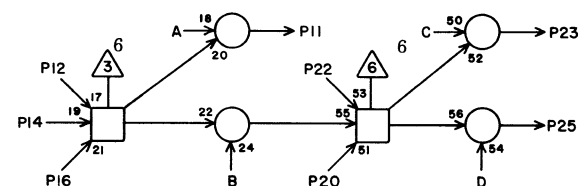
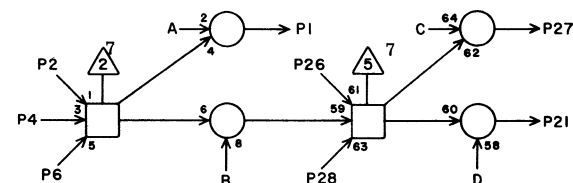
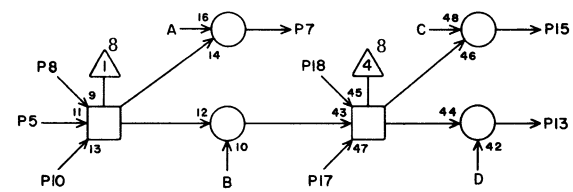
8P03

1	O05	11	7
2	P07	22	7
3	M08	21	15
4	P06	16	7
5	P11	16	11
6	P10	12	11
7	O06	11	9
8	P12	22	13
9	M07	21	15
10	P15	12	15
11	O04	11	7
12	Q06	20	9
13	I02	21	29
14	Q06	26	9
15	I13	19	31
16	Q10	6	11
17	O02	8	9
18	O06	18	9
19	N07	21	13
20	P01	8	5
21	I02	18	29
22	O04	18	7
23	I12	23	31
24	N08	21	13
25	I02	17	29
26	O05	18	9
27	I13	11	31
28	O01	8	9

JACK PIN LG

63017200 Rev. F

SHIFT NETWORK



P9 → 15 A LS 16

P19 → 49 C LS 32

P3 → 7 B NS 16

P24 → 57 D NS 32

KF

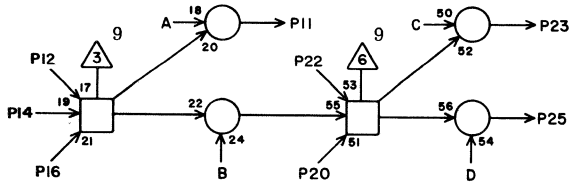
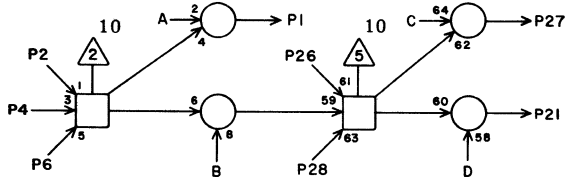
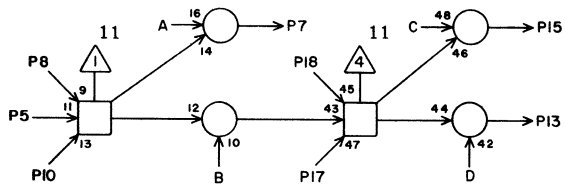
8P04

1	O08	11	9
2	Q07	22	11
3	M08	22	15
4	Q06	16	9
5	P06	10	5
6	Q10	12	11
7	O09	11	9
8	P07	14	5
9	M07	22	15
10	P06	24	5
11	O07	11	9
12	Q02	22	9
13	I03	21	29
14	Q01	16	7
15	I14	19	31
16	Q05	12	7
17	O05	8	9
18	O09	18	9
19	N07	22	11
20	O03	8	9
21	I03	18	29
22	O07	18	9
23	I13	23	31
24	N08	22	13
25	I03	17	29
26	O08	18	9
27	I14	11	31
28	O04	8	9

JACK PIN LG

63017200 Rev. E

SHIFT NETWORK



P9 → A L16

P19 → C L32

P3 → B NS16

P24 → D NS32

KF

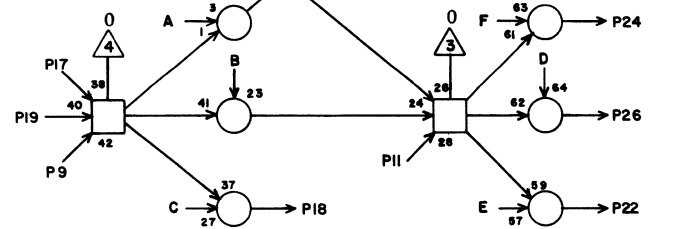
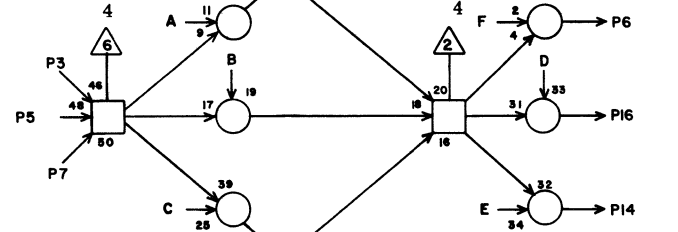
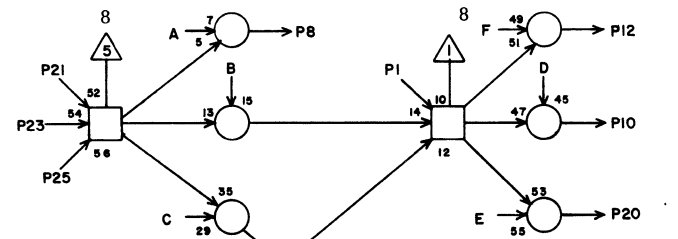
8P05

1	O11	11	11
2	Q02	14	9
3	MO8	23	13
4	Q01	10	9
5	Q06	10	7
6	Q01	24	11
7	O12	11	11
8	Q07	14	7
9	M07	23	15
10	Q06	24	9
11	O10	11	9
12	P12	14	11
13	I04	21	29
14	P11	10	9
15	I15	19	31
16	P11	24	9
17	O08	8	9
18	O12	18	11
19	N07	23	11
20	O06	8	9
21	I04	18	29
22	O10	18	9
23	I14	23	31
24	N08	23	13
25	I04	17	29
26	O11	18	11
27	I15	11	31
28	O07	8	9

JACK PIN LG

63017200 Rev. E

SHIFT NETWORK



P4 → A L4

P13 → C R4

P27 → E R8

P2 → B NS4

P15 → D NS8

P28 → F L8

QF

8P06

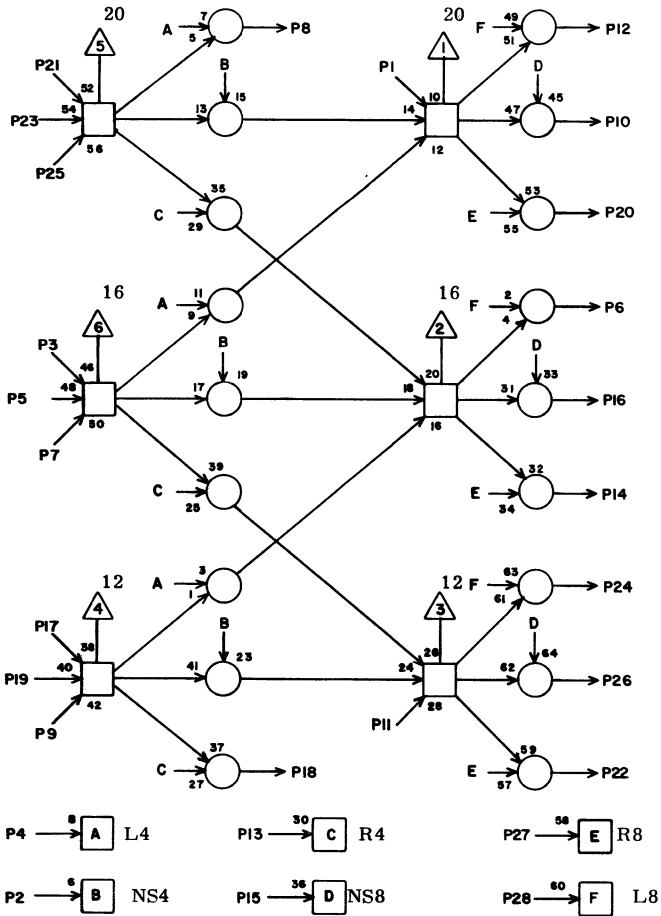
1	P07	18	5
2	M11	1	17
3	Q13	22	13
4	M10	1	15
5	Q12	16	11
6	O13	9	11
7	Q11	12	9
8	P07	11	5
9	R15	6	15
10	P04	5	5
11	P10	8	7
12	O01	9	9
13	M12	1	17
14			
15	M14	1	17
16	P03	4	7
17	Q11	20	9
18			
19	Q11	26	9
20	P02	12	7
21	Q14	14	11
22			
23	Q13	10	11
24	P04	10	5
25	Q13	24	11
26	P02	14	7
27	M15	1	19
28	M13	1	19

JACK PIN LG

63017200 Rev. E

8P06

SHIFT NETWORK



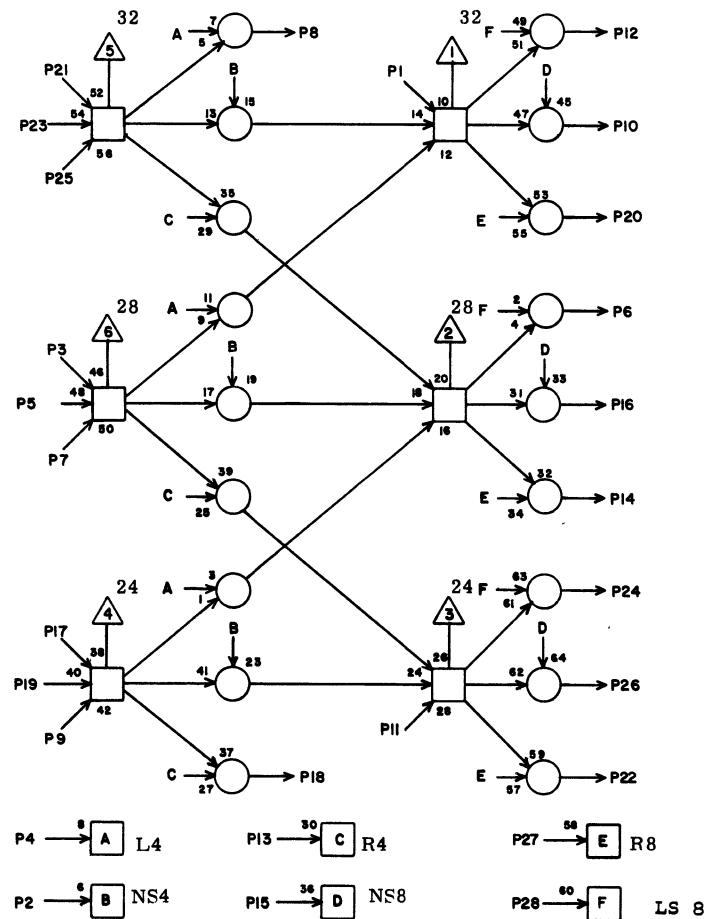
QF 8P07

1	P08	18	5
2	M11	2	15
3	R02	22	15
4	M10	2	15
5	R01	16	15
6	O04	9	7
7	Q15	12	11
8	P08	11	5
9	Q14	6	11
10	O05	19	7
11	P06	8	5
12	O13	7	11
13	M12	2	17
14	P04	8	5
15	M14	2	17
16	O01	19	9
17	Q15	20	11
18	P06	1	5
19	Q15	26	13
20	O13	17	11
21	R03	14	13
22	P03	2	7
23	R02	10	13
24	O05	9	9
25	R02	24	13
26	O13	19	11
27	M15	2	19
28	M13	2	19

JACK PIN LG

63017200 Rev. F

SHIFT NETWORK



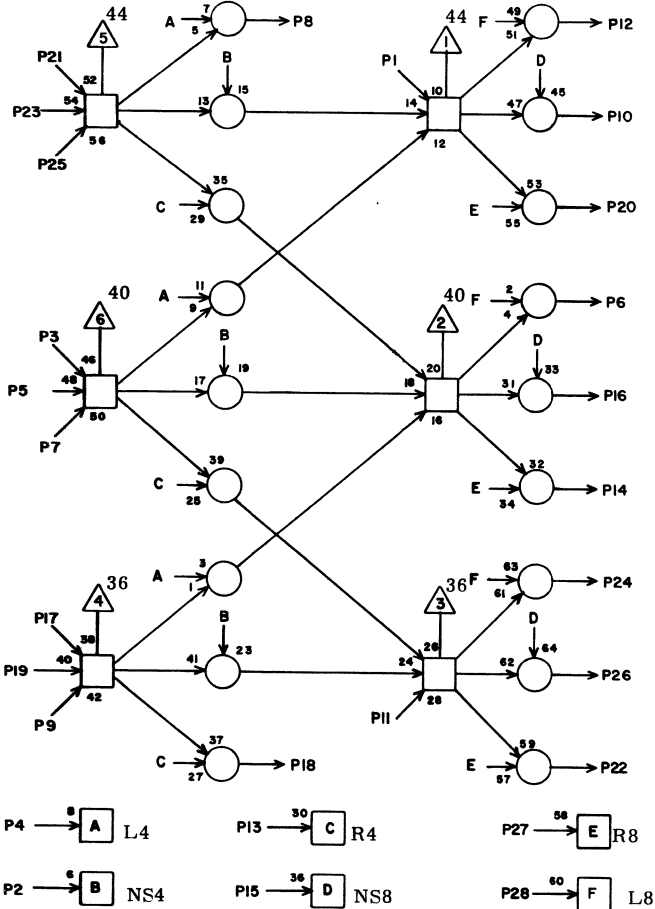
QF 8P08

1	P09	18	5
2	M11	3	15
3	R06	22	13
4	M10	3	17
5	R05	16	13
6	O05	7	7
7	R04	12	13
8	P09	11	5
9	R03	6	13
10	O01	5	11
11	P07	8	5
12	O09	7	7
13	M12	3	17
14	O05	17	7
15	M14	3	17
16	O13	5	11
17	R04	20	13
18	P07	1	5
19	R04	26	13
20	O09	17	7
21	R07	14	11
22	O01	17	11
23	R06	10	11
24	O01	7	11
25	R06	24	13
26	O09	19	9
27	M15	3	19
28	M13	3	17

JACK PIN LG

63017200 Rev. E

SHIFT NETWORK

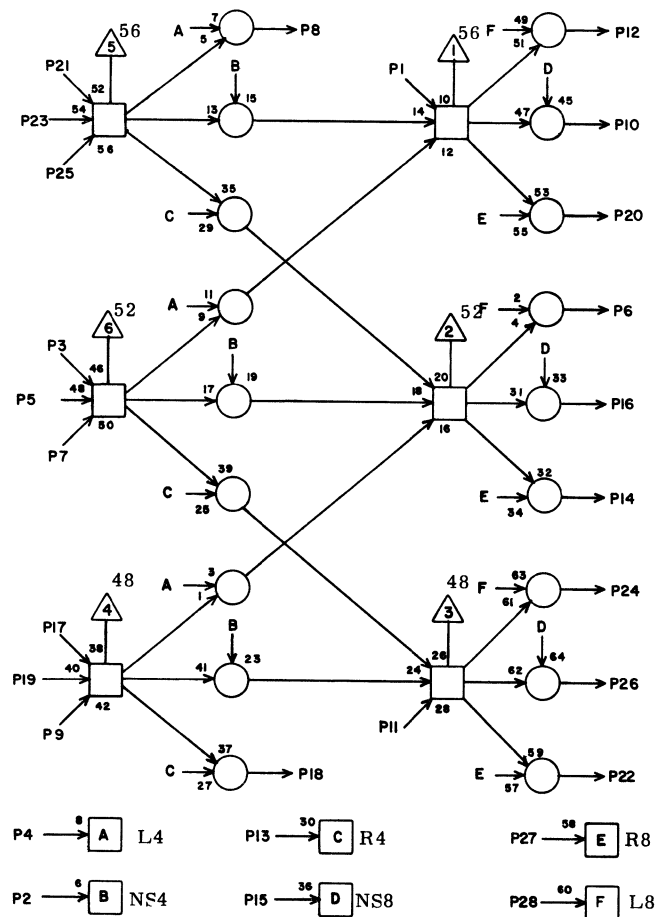


QF 8P09

1	P10	18	5
2	M11	4	15
3	R10	22	13
4	M10	4	15
5	RO9	16	13
6	O01	25	11
7	RO8	12	13
8	P10	11	5
9	R07	6	13
10	O13	23	9
11	P08	8	5
12	O05	25	7
13	M12	4	17
14	O01	3	13
15	M14	4	17
16	O09	5	9
17	R08	20	13
18	P08	1	5
19	R08	26	13
20	O05	3	9
21	R11	14	13
22	O13	3	11
23	R10	10	11
24	O13	25	9
25	R10	24	11
26	O05	5	11
27	M15	4	17
28	M13	4	17

JACK PIN LG

SHIFT NETWORK

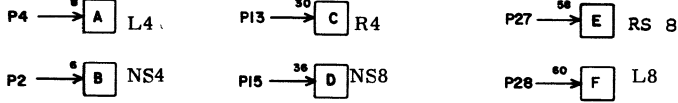
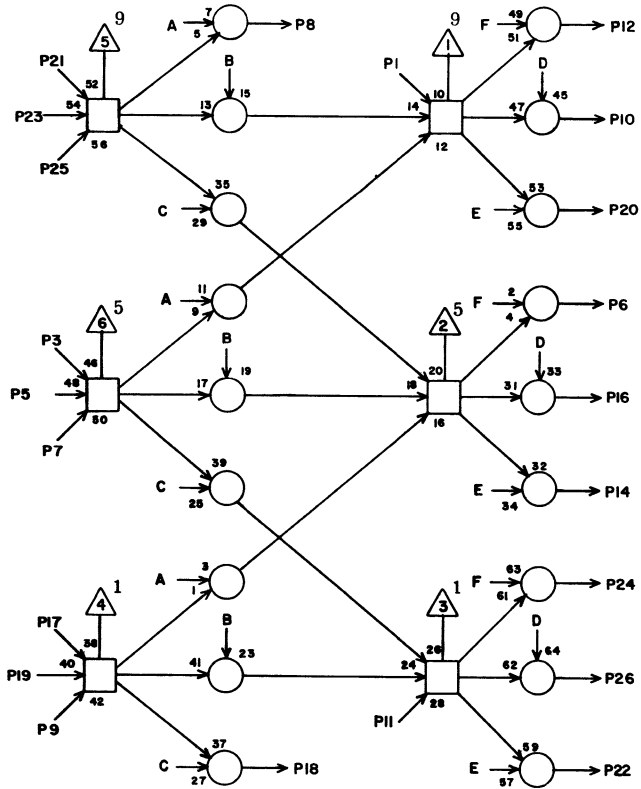


QF 8P10

1	K17	16	23
2	M11	5	15
3	R14	22	13
4	M10	5	15
5	R13	16	13
6	PO2	16	11
7	R12	12	13
8	PO6	11	7
9	R11	6	11
10	O09	23	7
11	PO9	8	5
12	PO3	6	11
13	M12	5	15
14	O13	21	9
15	M14	5	17
16	O05	23	9
17	R12	20	13
18	PO9	1	5
19	R12	26	13
20	O01	21	13
21	R15	14	13
22	O09	3	9
23	R14	10	11
24	O09	25	7
25	R14	24	13
26	O01	23	13
27	M15	5	17
28	M13	5	17

JACK PIN LG

SHIFT NETWORK



QF

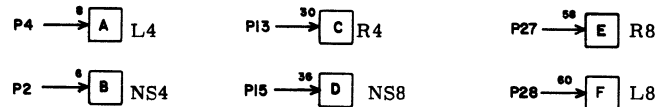
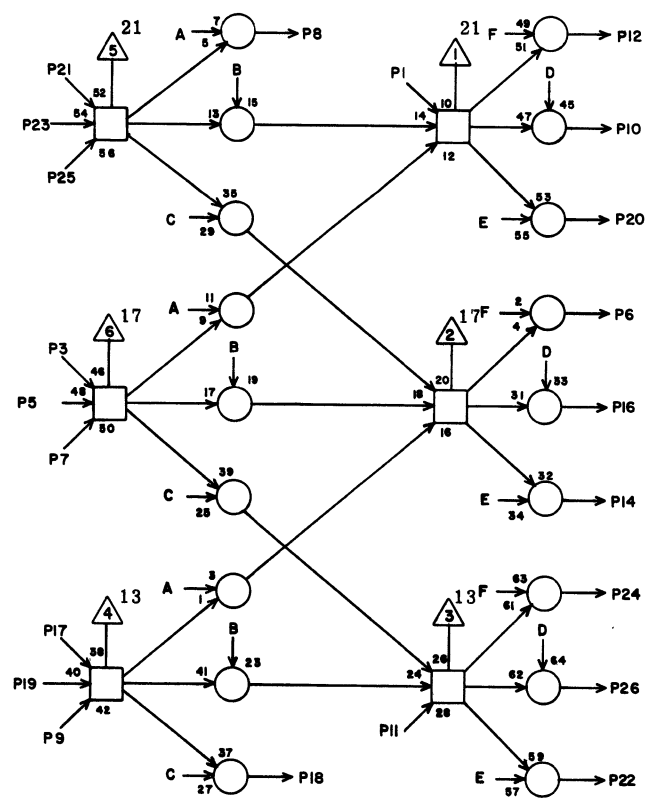
8P11

1	P12	18	5
2	M11	6	15
3	Q13	14	7
4	M10	6	15
5	Q12	10	7
6	O14	9	9
7	Q12	24	9
8	P12	11	5
9	R15	12	13
10	P05	14	9
11	P15	8	7
12	O02	9	13
13	M12	6	15
14			
15	M14	6	17
16	P03	5	11
17	Q12	22	7
18			
19	Q11	16	7
20	P02	2	13
21	Q14	20	7
22			
23	Q14	26	9
24	P05	16	9
25	Q13	6	7
26	P02	4	13
27	M15	6	17
28	M13	6	17

JACK PIN LG

63017200 Rev. E

SHIFT NETWORK



QF

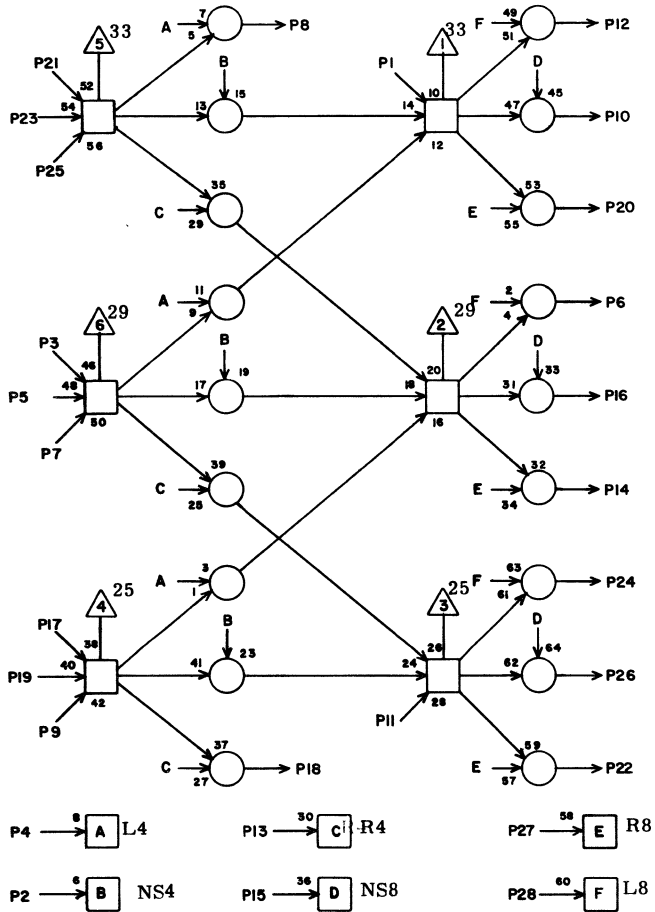
8P12

1	P13	18	5
2	M11	7	15
3	R02	14	17
4	M10	7	15
5	R01	10	17
6	O10	9	7
7	R01	24	17
8	P13	11	5
9	Q14	12	7
10	O06	19	9
11	P11	8	5
12	O14	7	9
13	M12	7	15
14	P05	12	11
15	M14	7	15
16	O02	19	13
17	R01	22	17
18	P11	1	5
19	Q15	16	7
20	O14	17	9
21	R03	20	15
22	P03	8	13
23	R03	26	15
24	O06	9	11
25	R02	6	15
26	O14	19	9
27	M15	7	17
28	M13	7	17

JACK PIN LG

63017200 Rev. E

SHIFT NETWORK

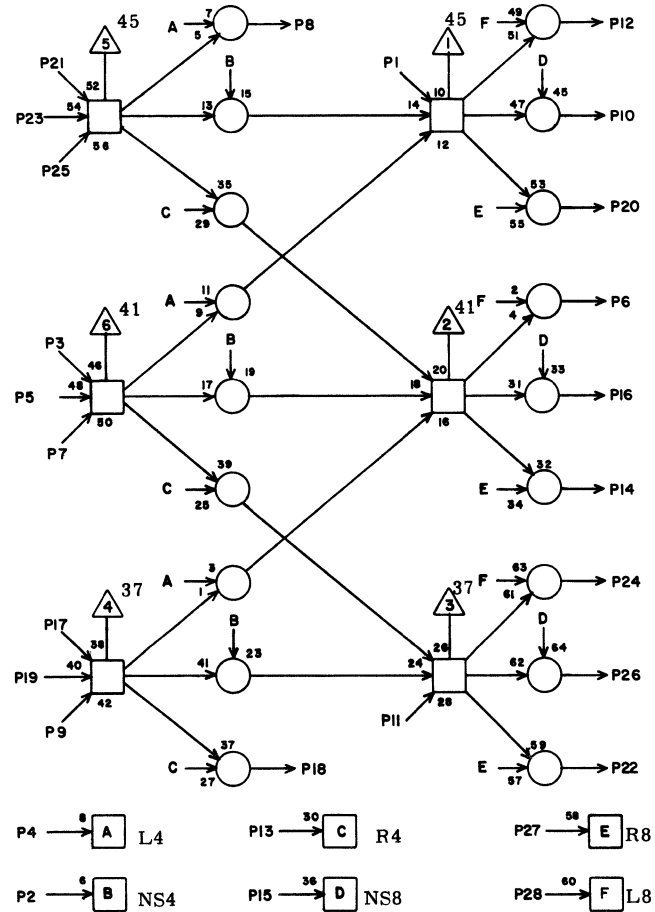


QF 8P13

1	P14	18	5
2	M11	8	15
3	R06	14	15
4	M10	8	15
5	R05	10	15
6	O06	7	11
7	R05	24	15
8	P14	11	5
9	R03	12	15
10	O02	5	15
11	P12	8	5
12	O10	7	9
13	M12	8	15
14	O06	17	11
15	M14	8	15
16	O14	5	9
17	R05	22	15
18	P12	1	5
19	R04	16	15
20	O10	17	9
21	R07	20	13
22	O02	17	15
23	R07	26	13
24	O02	7	15
25	R06	6	13
26	O10	19	9
27	M15	8	17
28	M13	8	17

JACK PIN LG

SHIFT NETWORK

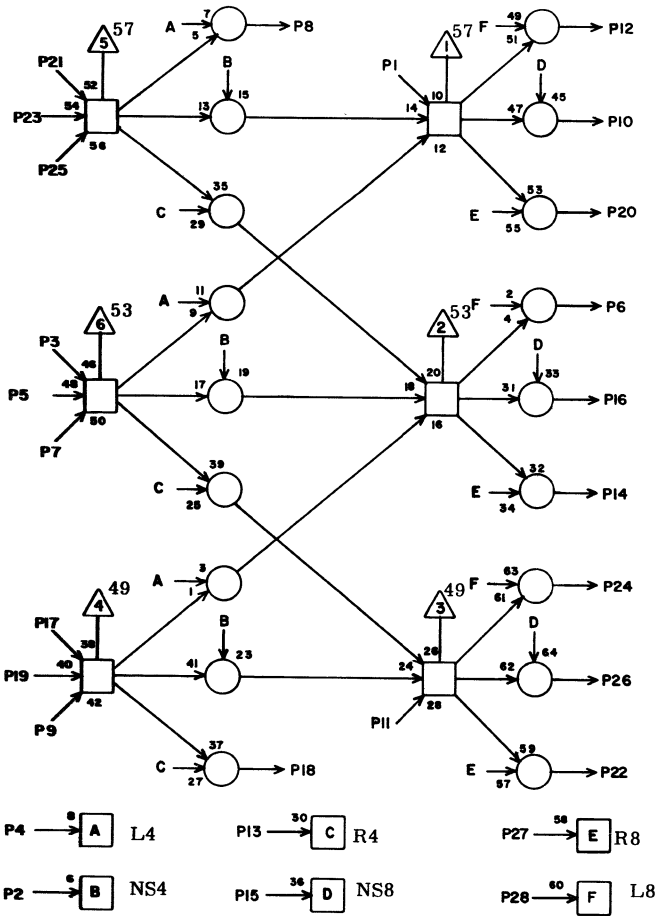


QF 8P14

1	P15	18	5
2	M11	9	15
3	R10	14	13
4	M10	9	15
5	R09	10	13
6	O02	25	15
7	R09	24	15
8	P15	11	5
9	R07	12	15
10	O14	23	7
11	P13	8	5
12	O06	25	11
13	M12	9	15
14	O02	3	15
15	M14	9	15
16	O10	5	9
17	R09	22	13
18	P13	1	5
19	R08	16	13
20	O06	3	13
21	R11	20	13
22	O14	3	9
23	R11	26	13
24	O14	25	7
25	R10	6	11
26	O06	5	13
27	M15	9	17
28	M13	9	17

JACK PIN LG

SHIFT NETWORK

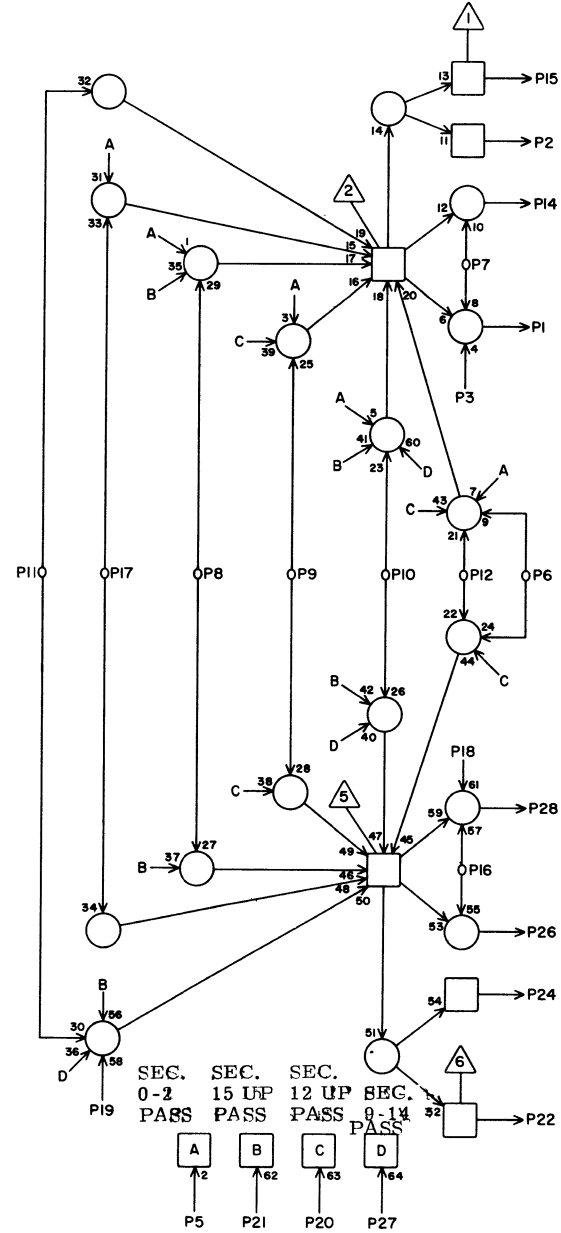


QF 8P15

1	K17	18	21
2	M11	10	15
3	R14	14	13
4	M10	10	15
5	R13	10	13
6	PO2	6	15
7	R13	24	13
8	P11	11	7
9	R11	12	13
10	O10	23	9
11	P14	8	5
12	PO3	10	15
13	M12	10	15
14	O14	21	7
15	M14	10	15
16	O06	23	13
17	R13	22	13
18	P14	1	5
19	R12	16	13
20	O02	21	15
21	R15	20	11
22	O10	3	11
23	R15	26	11
24	O10	25	9
25	R14	6	9
26	O02	23	15
27	M15	10	17
28	M13	10	17

JACK PIN LG

ADD. COEF. ADDER CARRIES

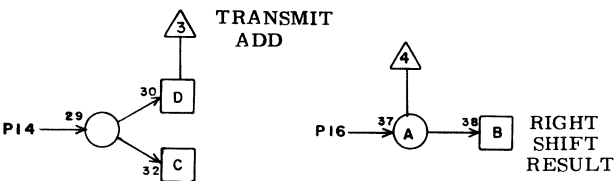
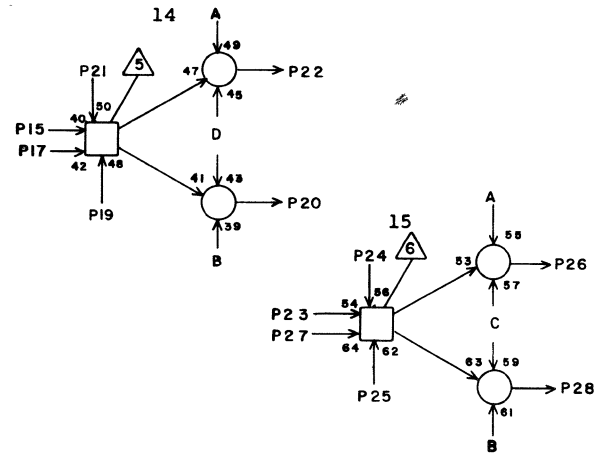
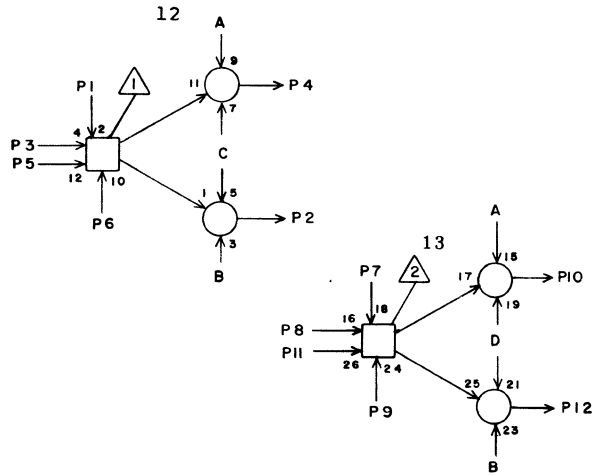


MJ 8P16

1	N17	17	11
2	N32	24	19
3	O16	16	7
4			
5	O16	15	11
6	O16	9	7
7	N32	16	19
8	N19	7	13
9	N18	20	11
10	N18	7	13
11	N17	7	13
12	N17	20	11
13			
14	N17	21	11
15	O24	14	13
16	N31	13	19
17	N19	20	13
18	O16	26	7
19	O16	11	9
20	L20	14	21
21	L20	1	21
22	N31	3	21
23			
24	M29	14	21
25			
26	N17	10	13
27	L20	22	21
28	N17	11	13

JACK PIN LG

ADD RESULT AND SHIFT NET.



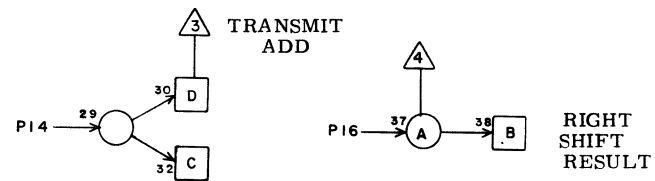
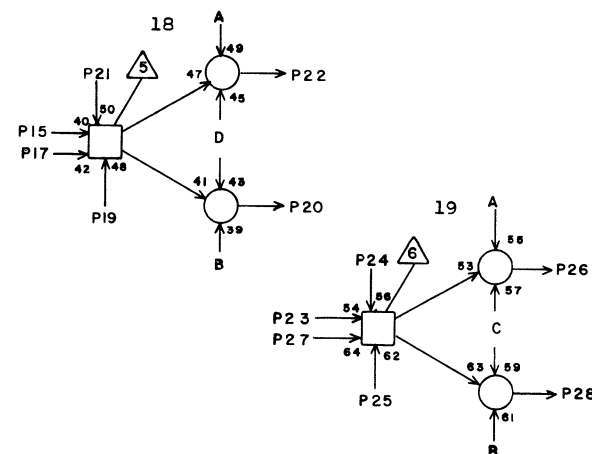
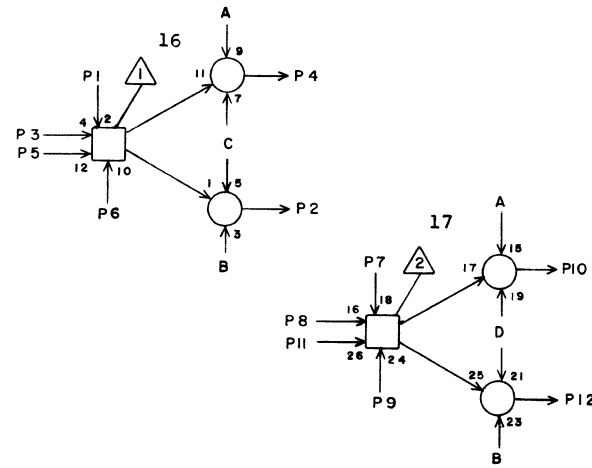
NA 8P17

1	O21	22	7
2	M03	25	19
3	O21	25	7
4	M04	2	19
5	Q23	22	11
6	Q23	25	13
7	Q24	1	11
8	Q24	16	11
9	O22	1	11
10	M04	10	19
11	O22	16	9
12	M04	4	19
13			
14	N06	19	17
15	Q24	22	11
16	N27	7	17
17	O22	22	9
18			
19	O22	25	9
20	M04	8	21
21	Q24	25	11
22	M04	19	19
23	Q25	1	11
24	Q25	16	11
25	O23	1	13
26	M04	27	19
27	O23	16	11
28	M04	21	19

JACK PIN LG

63017200 Rev. E

ADD RESULT AND SHIFT NET.



NA 8P18

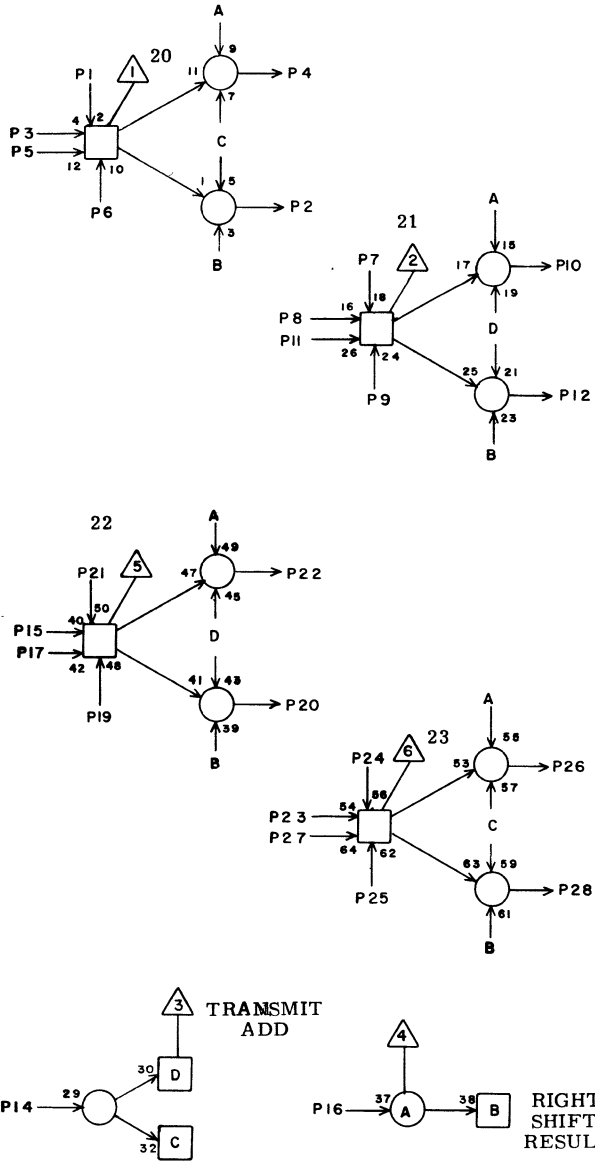
1	O23	22	9
2	M04	25	19
3	O23	25	9
4	M05	2	19
5	Q25	22	13
6	Q25	25	13
7	Q26	1	11
8	Q26	16	13
9	O24	1	11
10	M05	10	19
11	O24	16	11
12	M05	4	19
13			
14	N06	9	17
15	Q26	22	13
16	N27	19	15
17	O24	22	9
18			
19	O24	25	11
20	M05	8	21
21	Q26	25	13
22	M05	19	19
23	Q27	1	13
24	Q27	16	13
25	O25	1	13
26	M05	27	19
27	O25	16	11
28	M05	21	19

JACK PIN LG

63017200 Rev. E

8P18

ADD RESULT AND SHIFT NET.

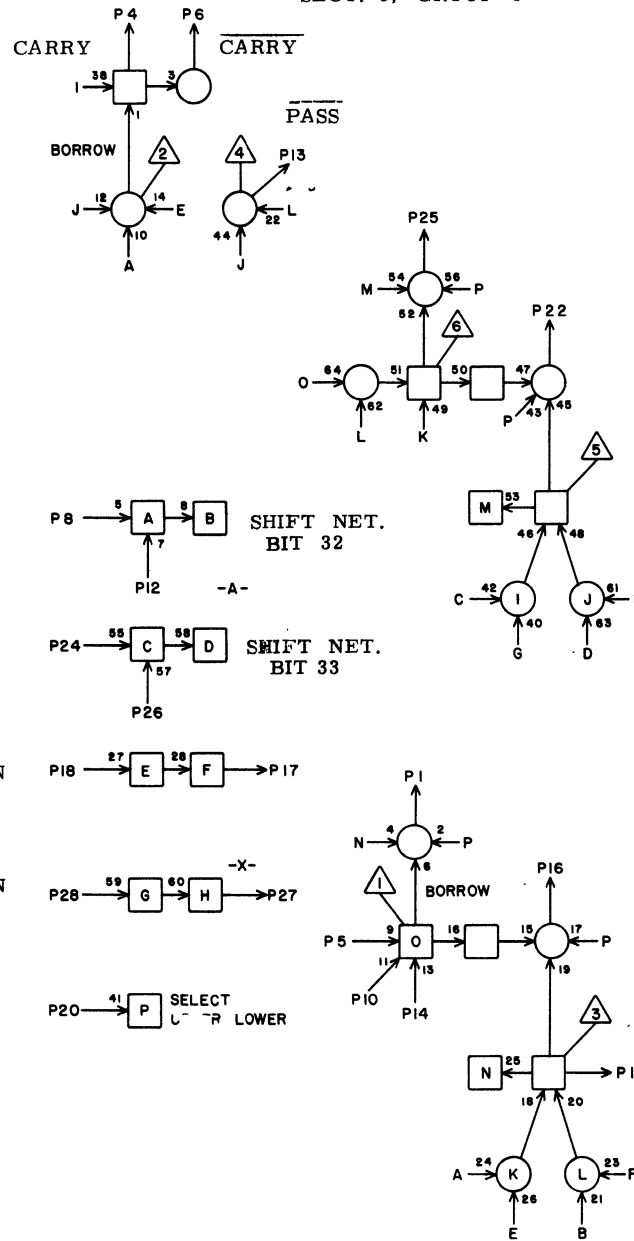


NA 8P19

1	O25	22	9
2	M05	25	19
3	O25	25	9
4	N01	2	21
5	Q27	22	13
6	Q27	25	13
7	Q28	1	13
8	Q28	16	13
9	O26	1	11
10	N01	10	21
11	O26	16	11
12	N01	4	21
13			
14	N06	11	17
15	Q28	22	13
16	N27	21	15
17	O26	22	11
18			
19	O26	25	11
20	N01	8	21
21	Q28	25	13
22	N01	19	21
23	Q29	1	13
24	Q29	16	13
25	O27	1	13
26	N01	27	21
27	O27	16	13
28	N01	21	21

JACK PIN LG

ADD COEF. ADDER
SECT. 5, GROUP 1

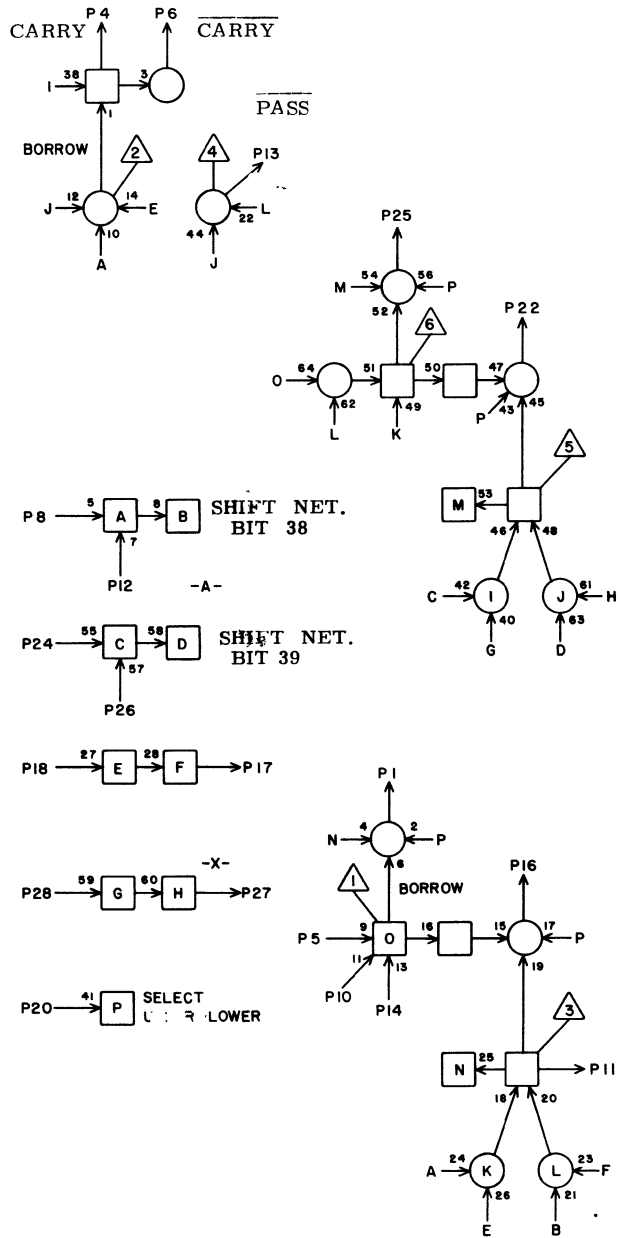


NG 8P 20

1	Q18	25	9
2			
3			
4	N33	21	17
5	O30	6	13
6	P21	5	5
7			
8	R42	4	25
9			
10	N33	28	17
11			
12	Q36	2	17
13	N33	22	17
14			
15			
16	Q18	27	7
17			
18	O20	17	7
19			
20	M17	20	15
21			
22	Q19	1	5
23			
24	P41	28	23
25	Q19	3	5
26	Q37	26	19
27			
28	O20	27	7

JACK PIN LG

ADD COEF. ADDER
SECT. 6, GROUP 1



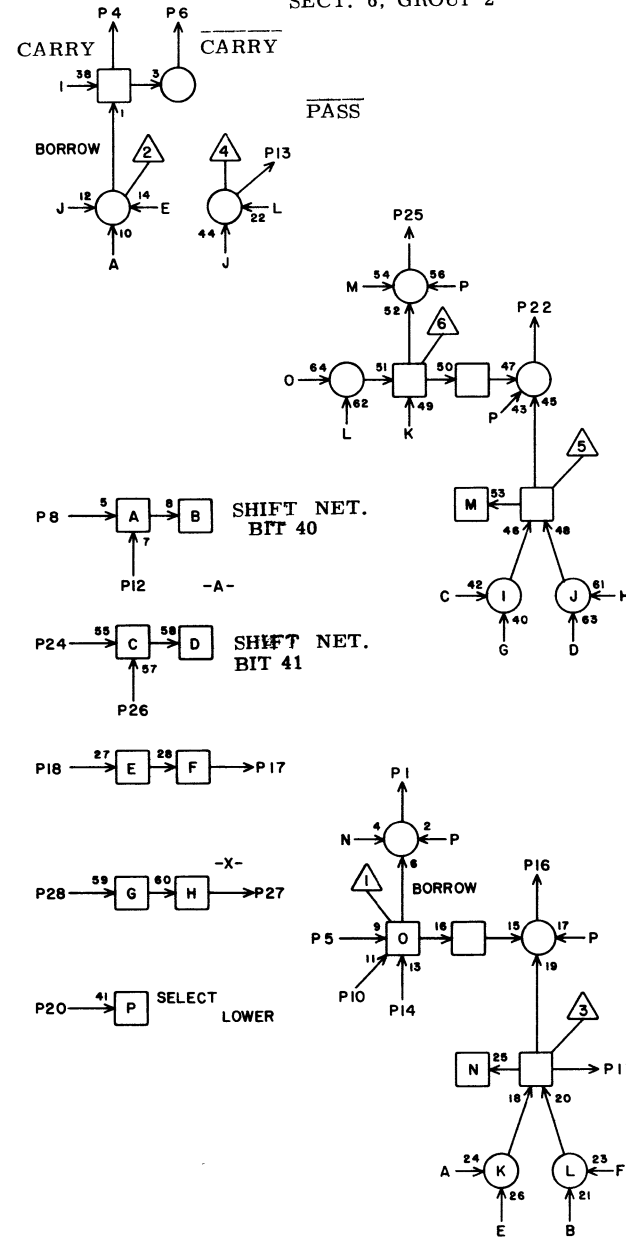
NG

8P23

1	R17	9	13
2			
3			
4	N34	8	15
5	P22	6	5
6	P24	5	5
7			
8	Q32	5	13
9			
10	N34	1	17
11			
12	Q39	2	10
13	N34	7	17
14			
15			
16	R17	11	13
17			
18	O23	17	7
19			
20	M17	23	17
21			
22	R17	17	13
23			
24	Q32	6	13
25	R17	19	13
26	Q40	26	19
27			
28	O23	27	7

63017200 Rev. E

ADD COEF. ADDER
SECT. 6, GROUP 2



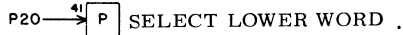
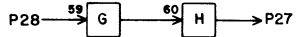
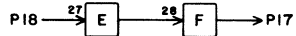
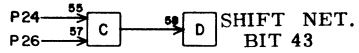
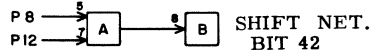
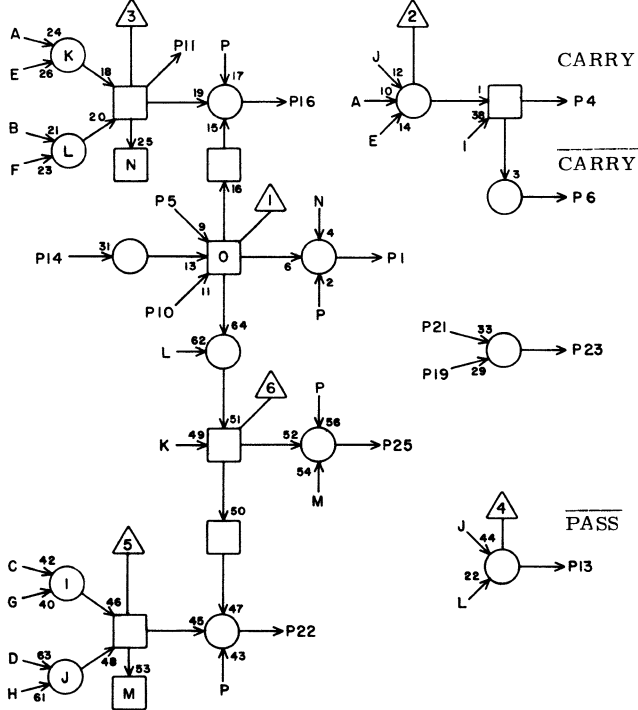
NG

8P24

1	R17	25	15
2			
3			
4	N34	10	15
5	P23	6	5
6			
7			
8	Q32	7	13
9			
10	N34	4	15
11			
12	Q40	2	10
13	N34	9	15
14	N34	5	17
15			
16	R17	27	15
17			
18	O24	17	7
19			
20	M17	24	17
21			
22	R18	1	11
23			
24	Q32	8	11
25	R18	3	11
26	Q41	26	19
27			
28	O24	27	7

63017200 Rev. E

ADD CPEF? ADDER
SECT. 7, GROUP 0

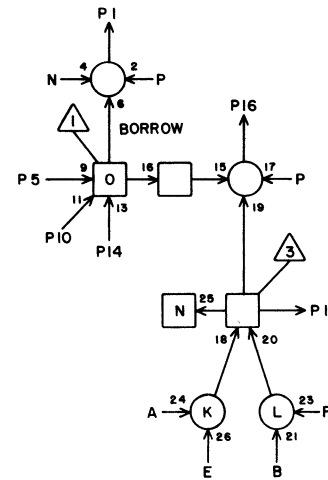
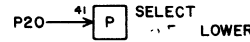
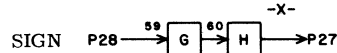
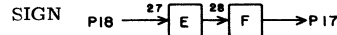
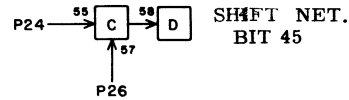
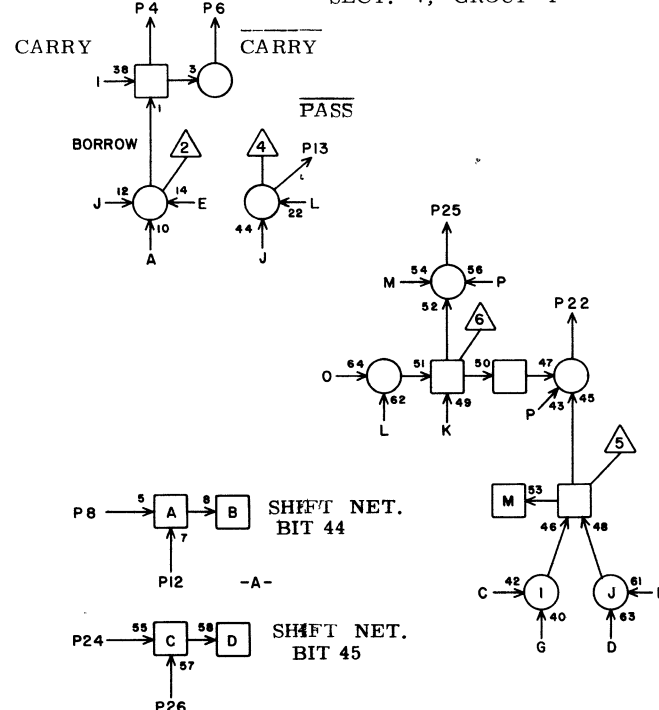


NK 8P25

1	R18	9	15
2			
3			
4	N34	25	15
5			
6	P26	5	5
7			
8	Q32	9	11
9			
10			
11			
12	Q41	2	19
13	N34	27	15
14	N18	6	15
15			
16	R18	11	13
17			
18	O25	17	7
19	B14	15	55
20	M17	25	17
21			
22	R18	17	13
23	G33	28	35
24	Q32	10	11
25	R18	19	13
26	Q42	26	19
27			
28	O25	27	7

JACK PIN LG

ADD COEF. ADDER
SECT. 7, GROUP 1

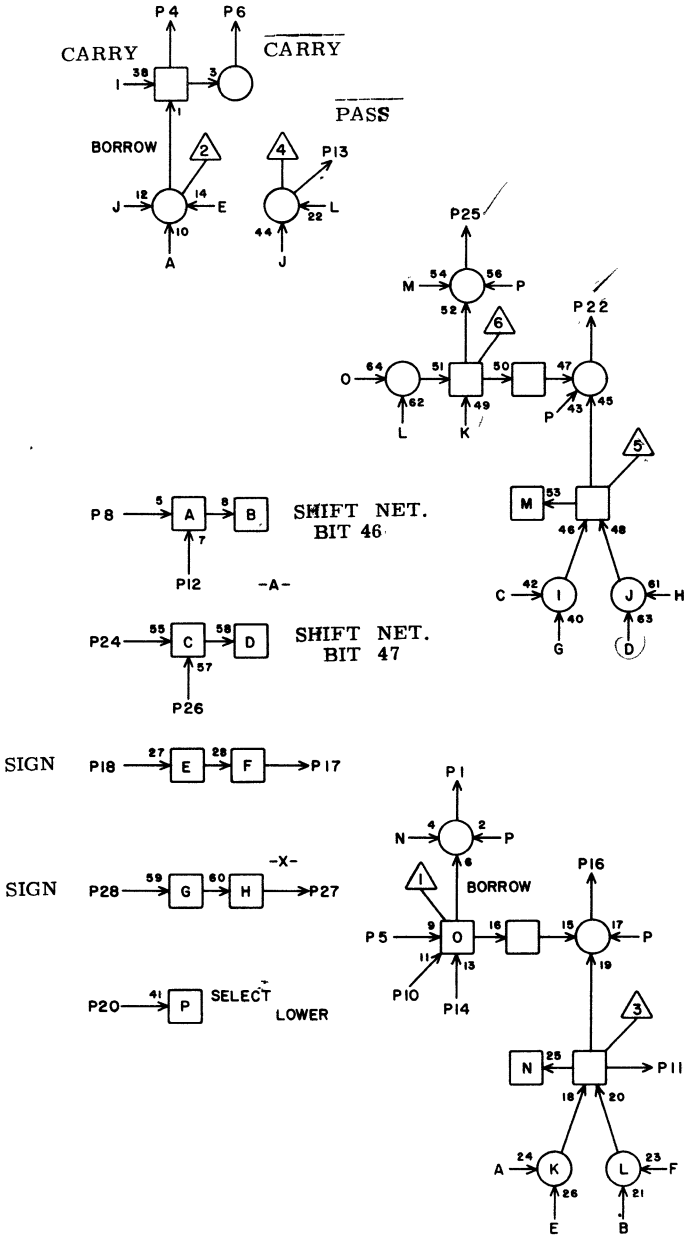


NG 8P26

1	R18	25	15
2			
3			
4	N34	21	13
5	P25	6	5
6	P27	5	5
7			
8	Q32	11	11
9			
10	N34	28	13
11			
12	Q42	2	19
13	N34	22	13
14			
15			
16	R18	27	15
17			
18	O26	17	7
19			
20	M17	26	17
21			
22	R19	1	13
23			
24	Q32	13	11
25	R19	3	13
26	R33	26	13
27			
28	O26	27	7

JACK PIN LG

ADD COEF. ADDER
SECT. 7, GROUP 2

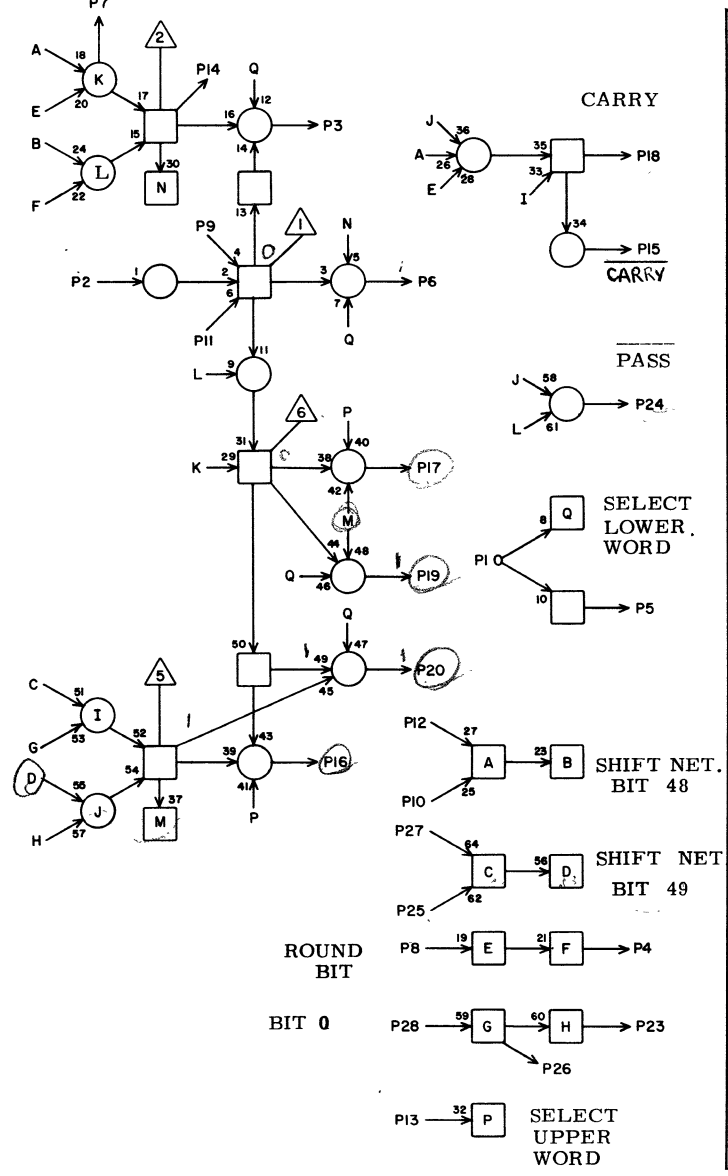


NG 8P27

1	R19	9	15
2			
3			
4	N34	19	13
5	P26	6	5
6			
7			
8	Q32	15	11
9			
10	N34	23	13
11			
12	R33	2	13
13	N34	20	13
14	N34	26	13
15			
16	R19	11	13
17			
18	O27	17	7
19			
20	M17	27	17
21			
22	R19	17	13
23			
24	Q32	17	9
25	R19	19	13
26	R34	26	13
27			
28	O27	27	7

JACK PIN LG

ADD COEF. ADDER
SECT. 8, GROUP 0



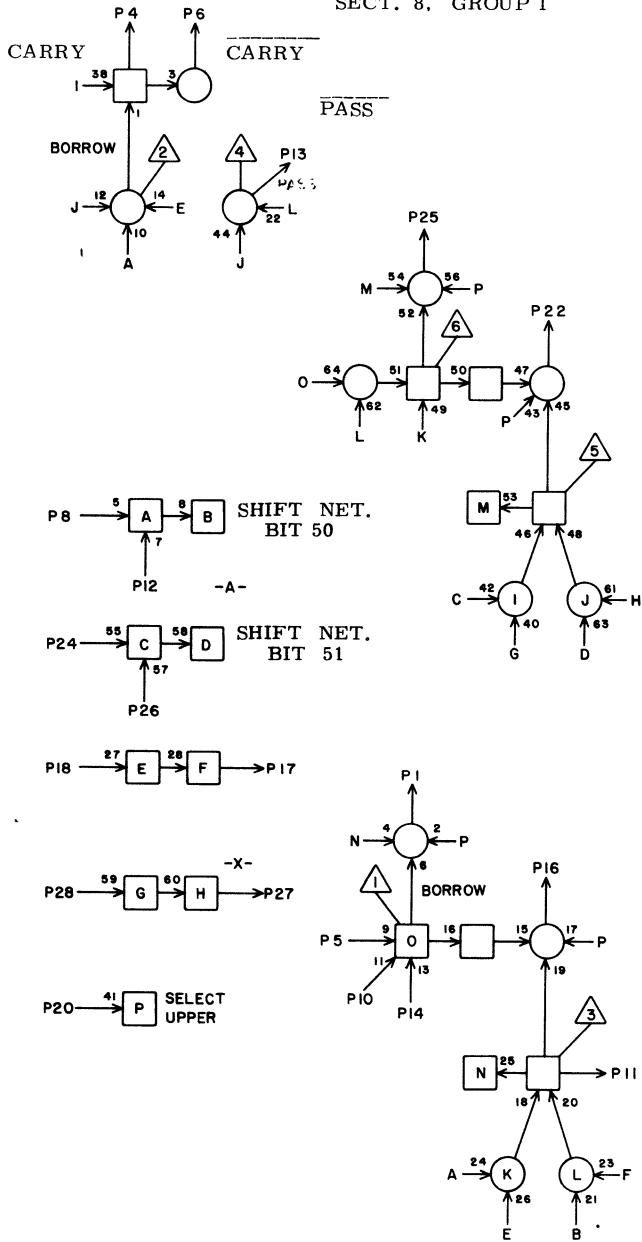
NW 8P28

1	M17	28	17
2	N18	12	15
3	R19	27	15
4			
5	P28	13	3
6	R19	25	17
7			
8	N29	23	11
9			
10	Q32	18	9
11			
12	R34	2	13
13	P28	5	3
14			
15	P29	5	5
16	O17	5	15
17	O17	6	15
18	N35	6	13
19	O32	6	33
20	Q32	8	9
21			
22			
23			
24	N35	2	15
25	P33	22	7
26			
27	Q32	19	9
28	K21	7	23

JACK PIN LG

ADD COEF. ADDER
SECT. 8, GROUP 1

NG 8P29

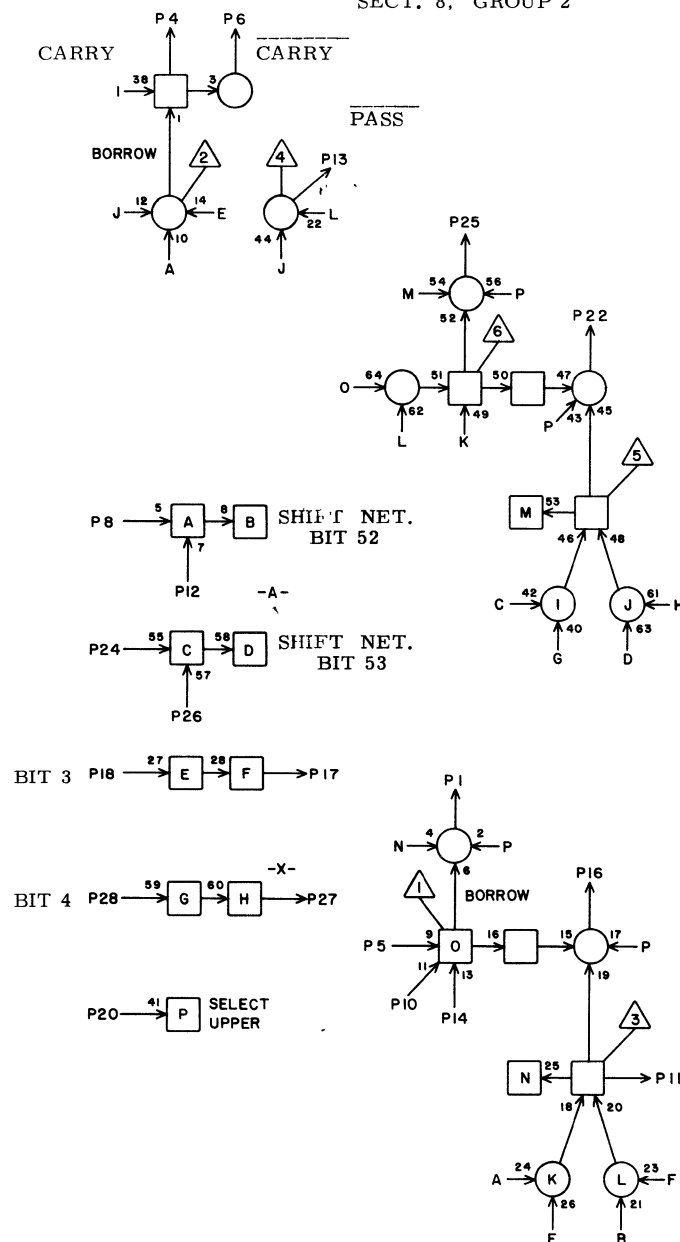


1	O17	7	15
2			
3			
4	N35	8	13
5	P28	15	5
6	P30	5	5
7			
8	Q32	20	9
9			
10	N35	1	15
11			
12	P33	8	7
13	N35	7	13
14			
15			
16	O17	8	15
17			
18	K22	24	23
19			
20	M16	1	21
21			
22	O17	15	15
23			
24	Q32	21	7
25	O17	21	15
26	P34	22	9
27			
28	K22	7	23

JACK PIN LG
63017200 Rev.

ADD COEF. ADDER
SECT. 8, GROUP 2

NG 8P30

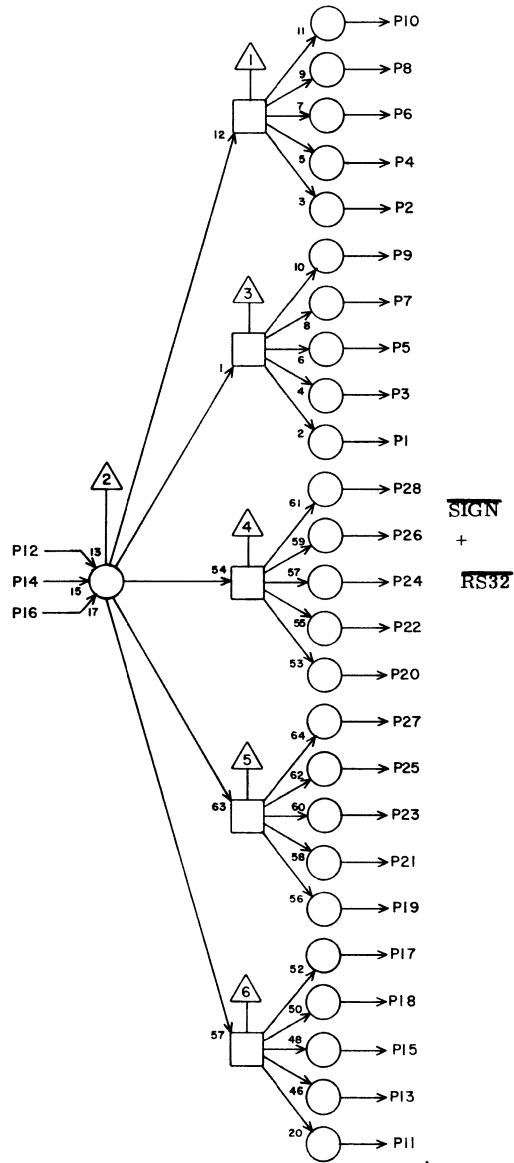


1	O17	23	15
2			
3			
4	N35	10	13
5	P29	6	5
6			
7			
8	Q32	22	9
9			
10	N35	4	13
11			
12	P34	8	7
13	N35	9	13
14	N35	5	13
15			
16	O17	24	15
17			
18	K23	24	23
19			
20	M16	2	21
21			
22	O18	5	15
23			
24	Q32	23	7
25	O18	6	15
26	P35	22	7
27			
28	K23	7	23

JACK PIN LG
63017200 Rev. E

8P30

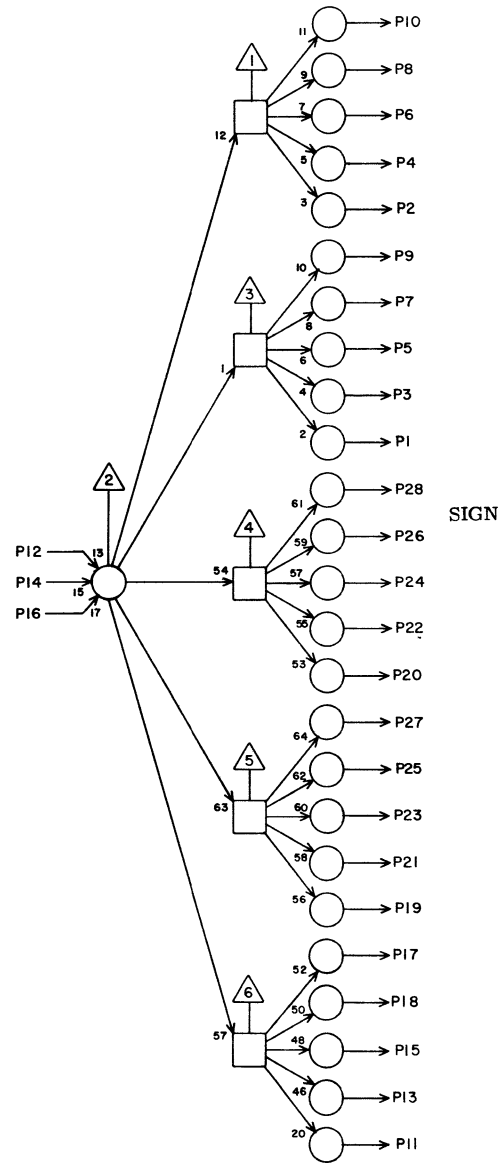
ADD
SHIFT CONTROL



CA		8P31	
JACK	PIN	LG	
1	Q37	7	11
2	Q37	17	11
3	Q38	7	11
4	Q38	17	13
5	Q39	7	13
6	Q39	17	13
7	Q40	7	13
8	Q40	17	13
9	Q41	7	13
10	Q41	17	15
11	Q42	7	15
12	K39	7	25
13	Q42	17	15
14	K39	9	25
15	R33	7	11
16	P31	X	2
17	R33	17	11
18	R34	7	11
19	R34	17	13
20			
21			
22			
23			
24			
25			
26			
27			
28			

63017200 Rev. E

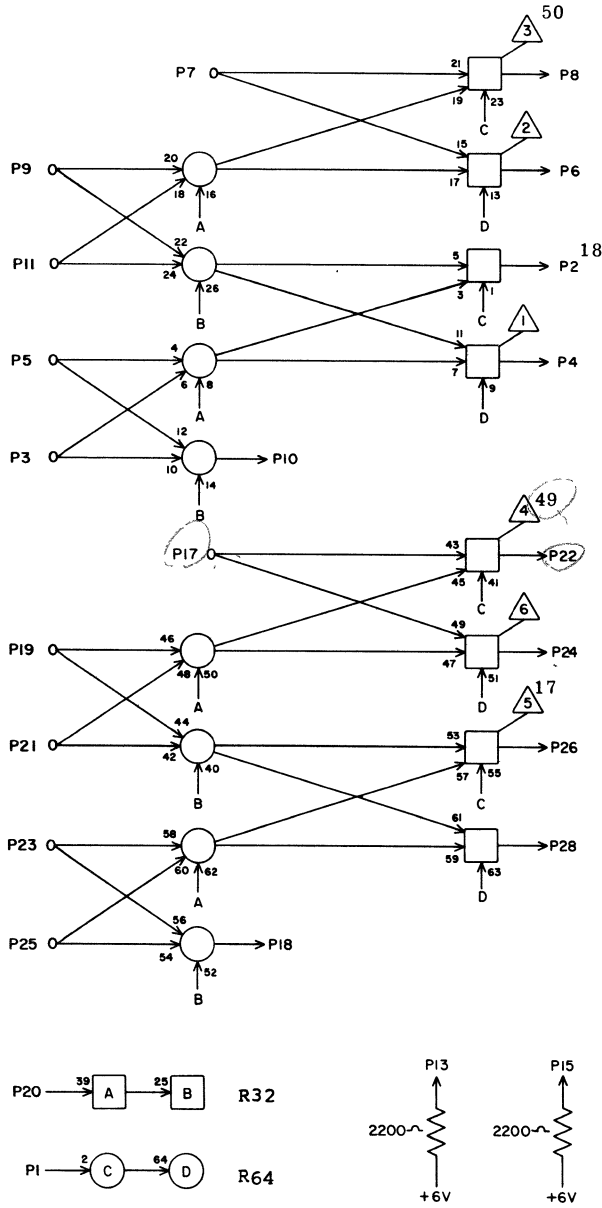
ADD
SHIFT CONTROL



CA		8P32	
JACK	PIN	LG	
1	M41	1	17
2	M42	1	19
3	N3E	1	13
4	N37	1	13
5	N38	1	13
6	N39	1	15
7	N40	1	15
8	N41	1	15
9	N42	21	15
10	O36	27	9
11	O37	21	9
12	K39	12	25
13	O38	21	11
14	P32	X	2
15	O39	21	11
16	P32	X	2
17	O40	21	13
18	O41	21	13
19	O42	21	13
20	M31	7	17
21	M32	7	17
22	P42	9	13
23	P42	19	13
24	O36	23	
25	N42	27	15
26	O31	8	11
27	P41	25	11
28			

63017200 Rev. P

ADD . SHIFT

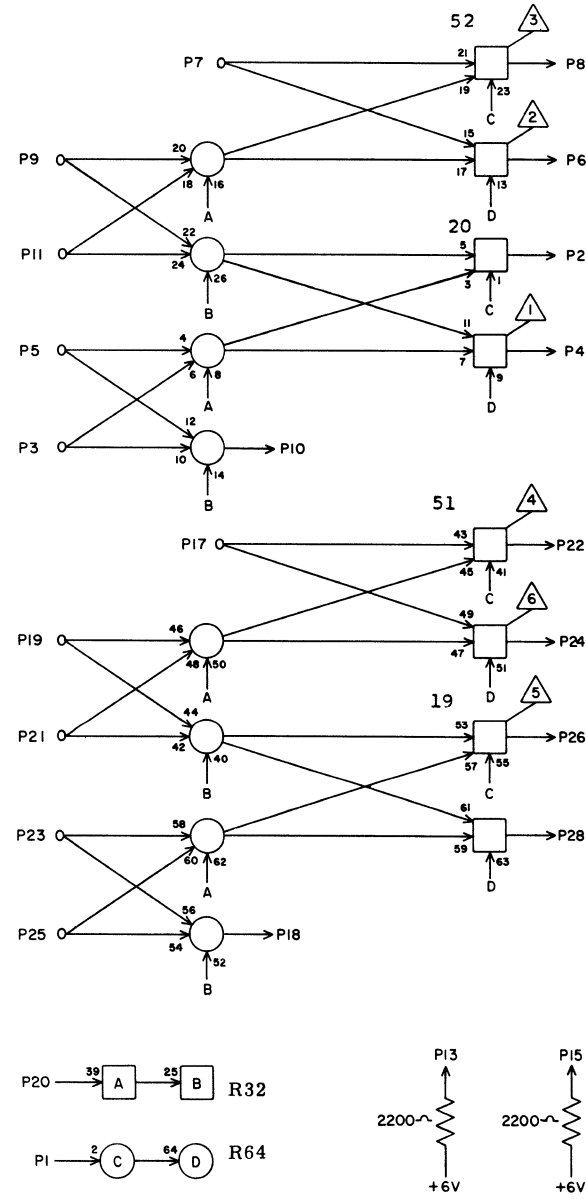


NF 8P33

1	P40	1	11
2	O24	12	13
3	P37	18	7
4			
5	M41	2	17
6			
7	R35	10	13
8	P29	12	7
9	M41	24	15
10			
11	M41	12	17
12			
13			
14			
15			
16			
17	R35	18	11
18			
19	M42	24	17
20	P38	1	9
21	M42	12	17
22	P29	25	7
23	M42	2	19
24			
25	P37	19	7
26	O23	26	13
27			
28			

63017200 Rev. E

ADD SHIFT



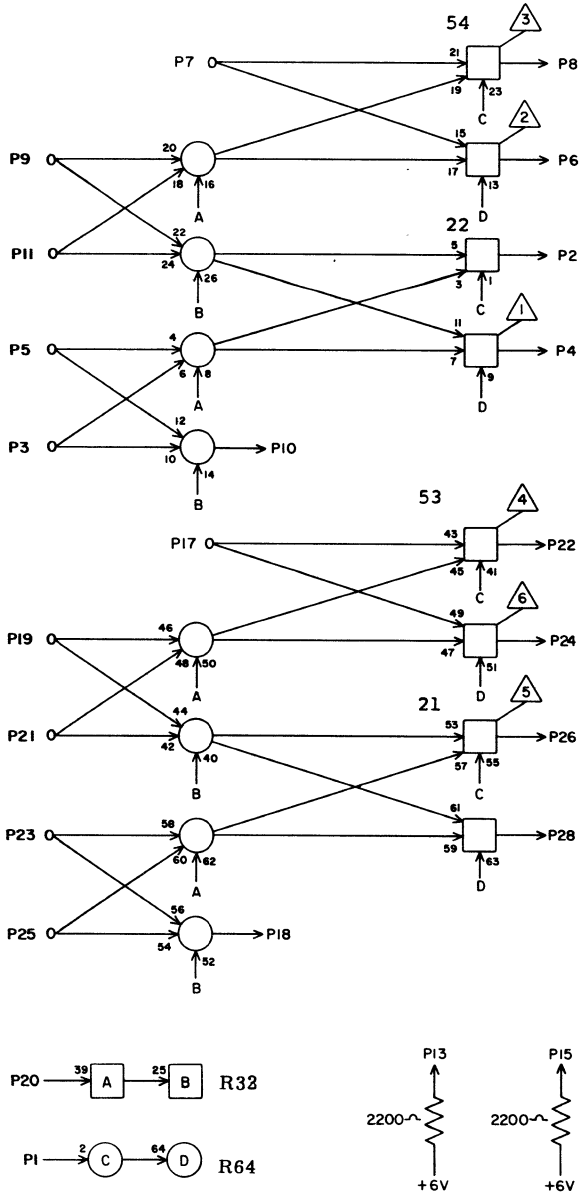
8P34

NF 8P34

1	P40	2	7
2	O25	12	13
3	P37	20	7
4			
5	N36	2	13
6			
7	R36	10	13
8	P30	12	7
9	N36	24	11
10			
11	N36	12	15
12			
13			
14			
15			
16			
17	R36	18	11
18			
19	N37	24	11
20	P38	2	7
21	N37	12	13
22	P29	26	9
23	N37	2	13
24			
25	P37	21	7
26	O24	26	13
27			
28			

63017200 Rev. E

ADD SHIFT

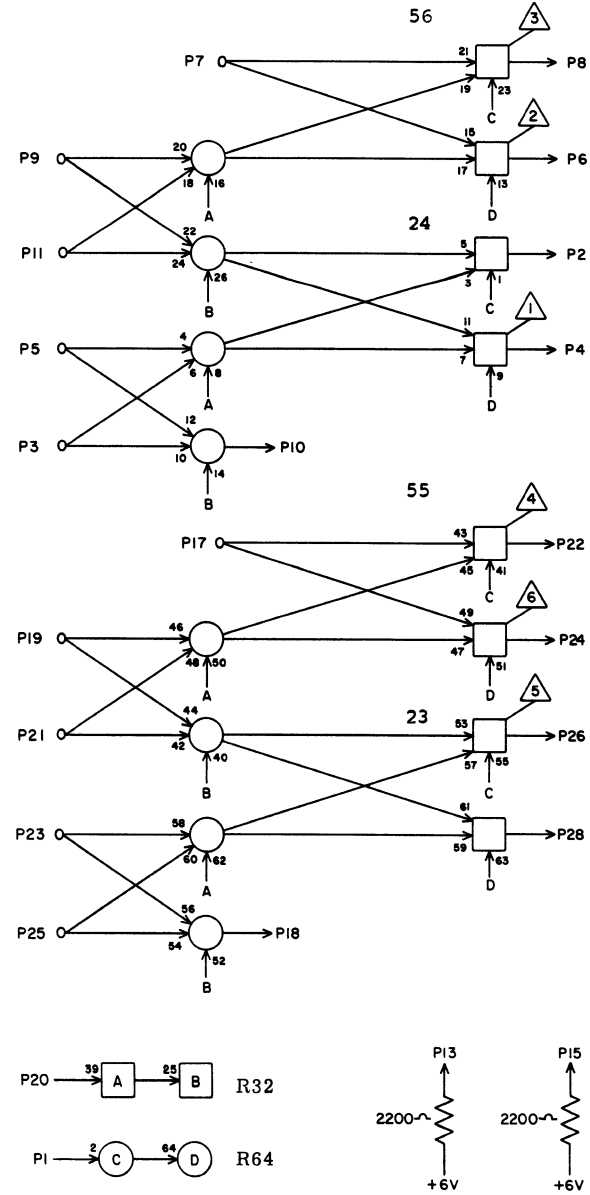


NF 8p35

	JACK	PIN	LG
1	P40	3	7
2	O26	12	13
3	P37	22	7
4			
5	N38	2	13
6			
7	R37	10	13
8	Q20	12	17
9	N38	24	11
10			
11	N38	12	13
12			
13			
14			
15			
16			
17	R37	18	11
18			
19	N39	24	13
20	P38	3	7
21	N39	12	13
22	P30	26	7
23	N39	2	13
24			
25	P37	23	7
26	O25	26	13
27			
28			

63017200 Rev. E

ADD SHIFT

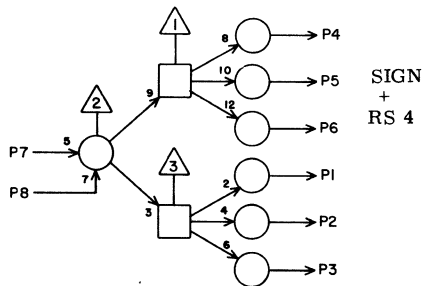


NF 8p36

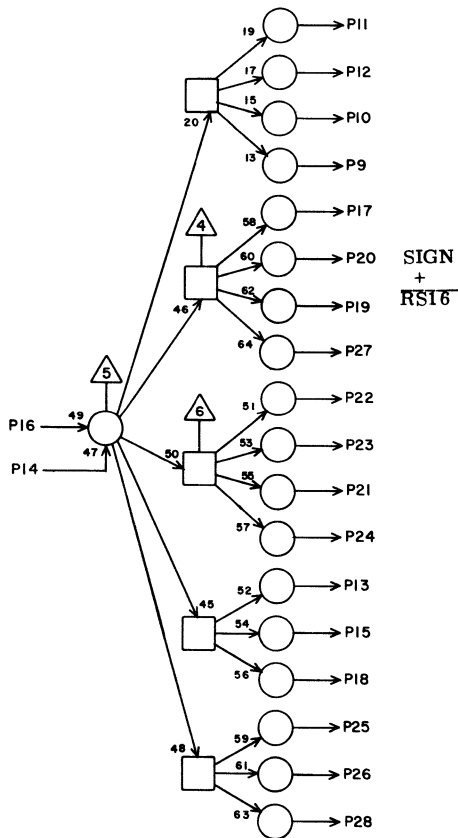
	JACK	PIN	LG
1	P40	4	7
2	O27	12	13
3	P37	24	5
4			
5	N40	2	13
6			
7	R38	10	13
8	Q21	12	17
9	N40	24	11
10			
11	N40	12	13
12			
13			
14			
15			
16			
17	R38	18	11
18			
19	N41	24	13
20	P38	4	5
21	N41	12	13
22	Q20	26	19
23	N41	2	15
24			
25	P37	25	5
26	O26	26	13
27			
28			

63017200 Rev. E

ADD
SHIFT CONTROL



SIGN
+
RS 4



SIGN
+
RS 16

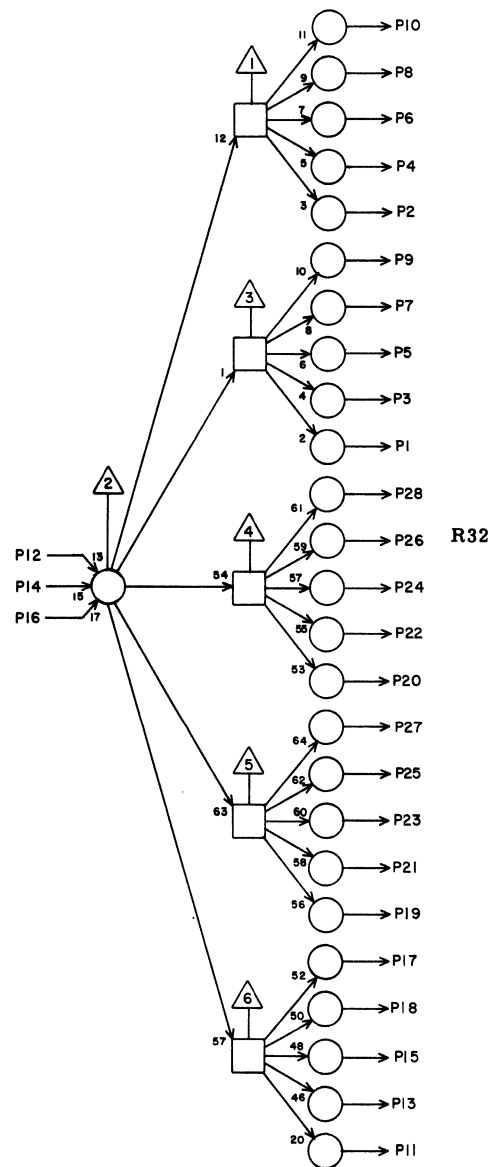
CB 8P37

1	M41	5	19
2	M42	5	13
3	N36	5	13
4	N37	5	13
5			
6			
7	K39	15	23
8	K39	16	23
9			
10			
11	Q33	3	9
12	Q33	25	11
13	Q34	3	9
14	K39	20	23
15	Q34	25	11
16			
17	Q35	3	7
18	P33	3	7
19	P33	25	7
20	P34	3	7
21	P34	25	7
22	P35	3	7
23	P35	25	7
24	P36	3	5
25	P36	25	5
26	Q35	25	9
27			
28			

JACK PIN LG

63017200 Rev. E

ADD COEF. SHIFT CONTROL



R32

CA 8P38

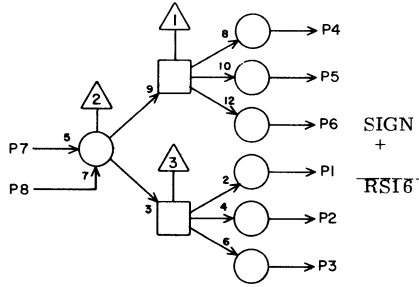
1	P33	20	9
2	P34	20	7
3	P35	20	7
4	P36	20	5
5	Q33	20	11
6	Q34	20	11
7	Q35	20	9
8	Q36	20	9
9	Q37	20	9
10	Q38	20	9
11	Q39	20	9
12	K40	28	23
13	Q40	20	9
14	P38	X	2
15	Q41	20	9
16	P38	X	2
17	Q42	20	9
18	R33	20	13
19	R34	20	13
20	R35	20	13
21	R36	20	11
22	R37	20	11
23	R38	20	11
24	R39	20	11
25	R40	20	11
26	R41	20	11
27	R42	20	11
28	P41	20	5

JACK PIN LG

63017200 Rev. E

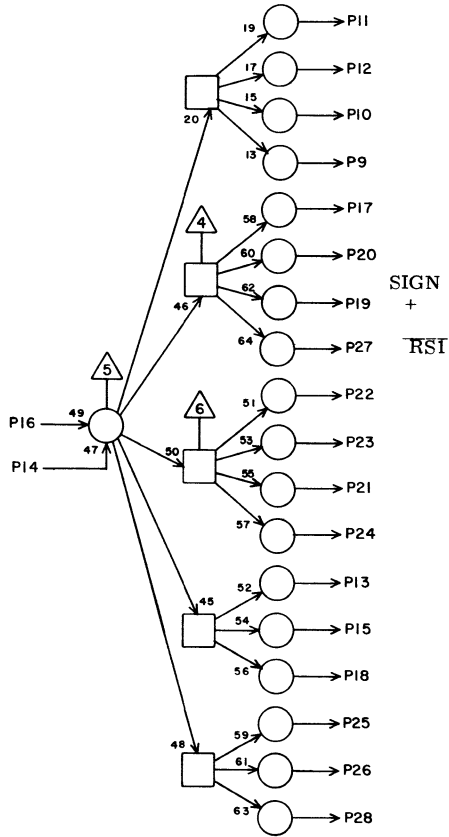
8P38

ADD
SHIFT CONTROL



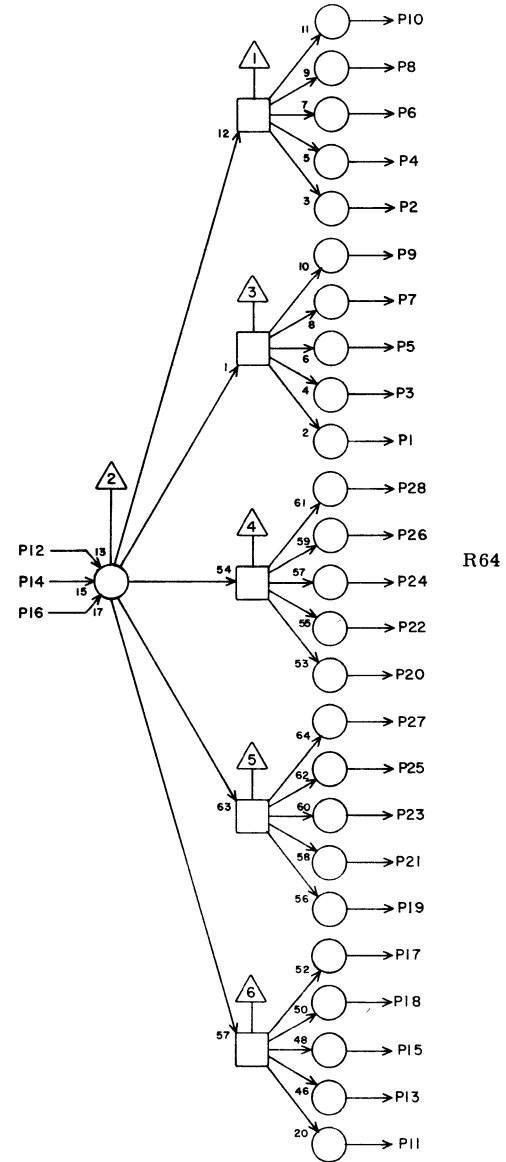
SIGN
+

SIGN
+



CB			
8P39			
JACK	PIN	LG	
1	Q36	3	9
2	Q36	25	11
3			
4			
5			
6			
7	K39	22	25
8			
9	R36	5	13
10	R36	23	13
11	R37	5	13
12	R37	23	13
13	R38	5	11
14	K39	18	23
15			
16	K39	21	23
17	R39	5	11
18	R39	23	13
19	R40	5	11
20	R40	23	13
21	R41	5	11
22	R41	23	13
23	R42	5	11
24	R42	23	13
25	R38	23	13
26			
27			
28			

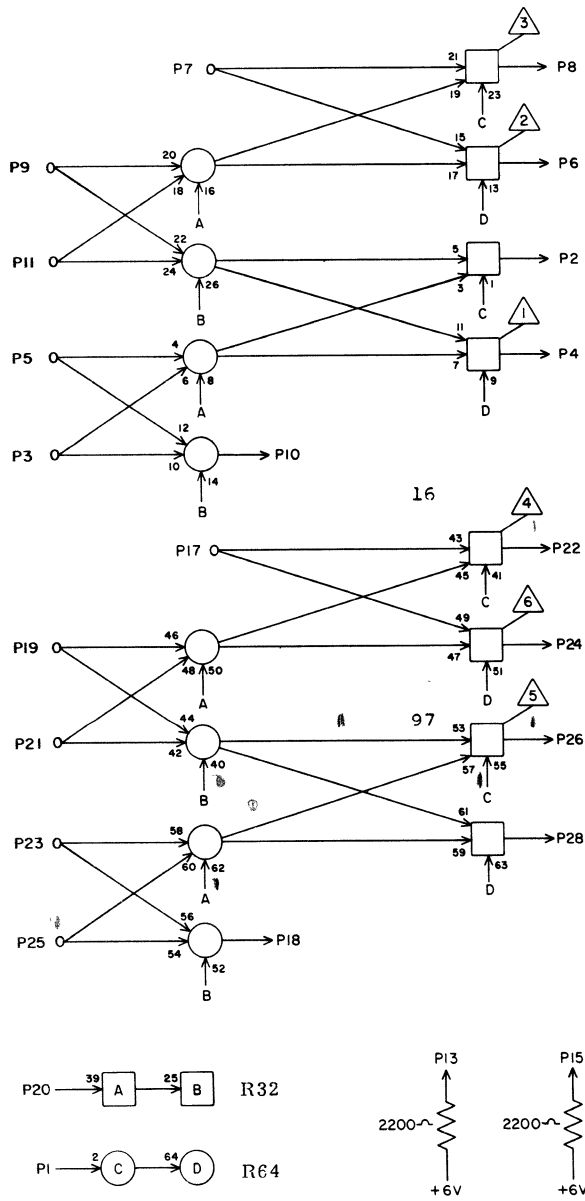
ADD COEF. SHIFT CONTROL



R64

CA			
8P40			
JACK	PIN	LG	
1	P33	1	11
2	P34	1	7
3	P35	1	7
4	P36	1	7
5	Q33	1	11
6	Q34	1	9
7	Q35	1	9
8	Q36	1	9
9	Q37	1	7
10	Q38	1	7
11	Q39	1	7
12	K40	17	25
13	Q40	1	7
14	P40	X	2
15	Q41	1	7
16	P40	X	2
17	Q42	1	7
18	R33	1	13
19	R34	1	13
20	R35	1	11
21	R36	1	11
22	R37	1	9
23	R38	1	9
24	R39	1	9
25	R40	1	9
26	R41	1	9
27	R42	1	9
28	P41	1	5

ADD SHIFT



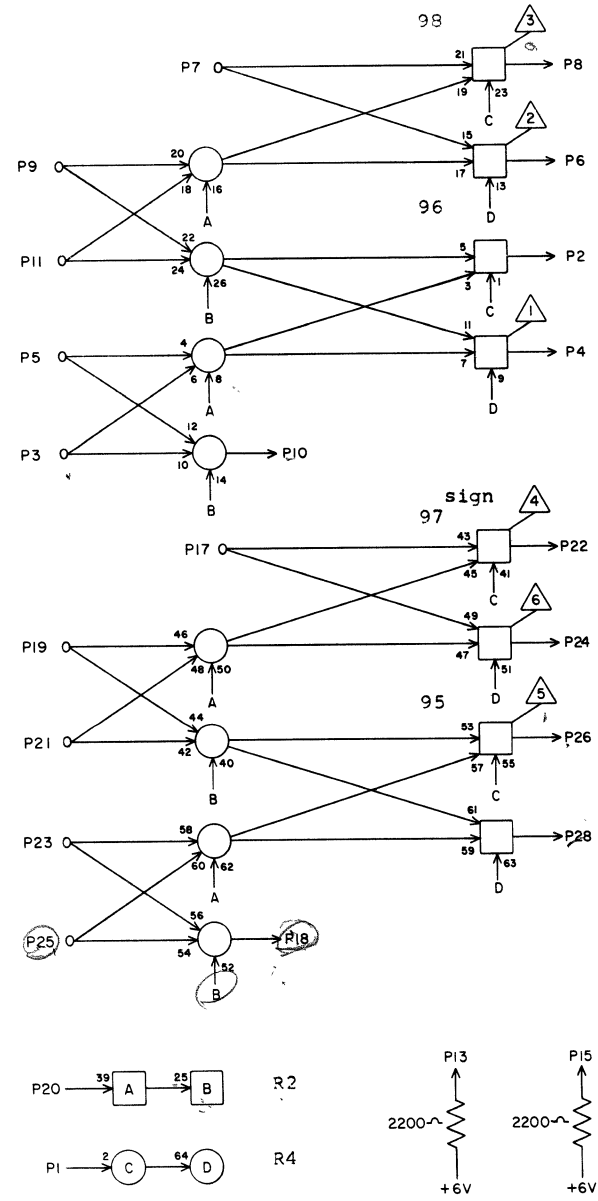
NF 8P41

1	P40	28	5
2			
3			
4			
5			
6			
7			
8			
9			
10			
11			
12			
13			
14			
15			
16			
17	R34	10	13
18			
19	P41	X	2
20	P38	28	5
21	Q31	20	13
22	O23	12	21
23	P41	X	2
24			
25	P32	27	11
26	R30	25	17
27			
28	P20	24	23

JACK PIN LG

63017200 Rev. B

ADD SHIFT



NF 8P42

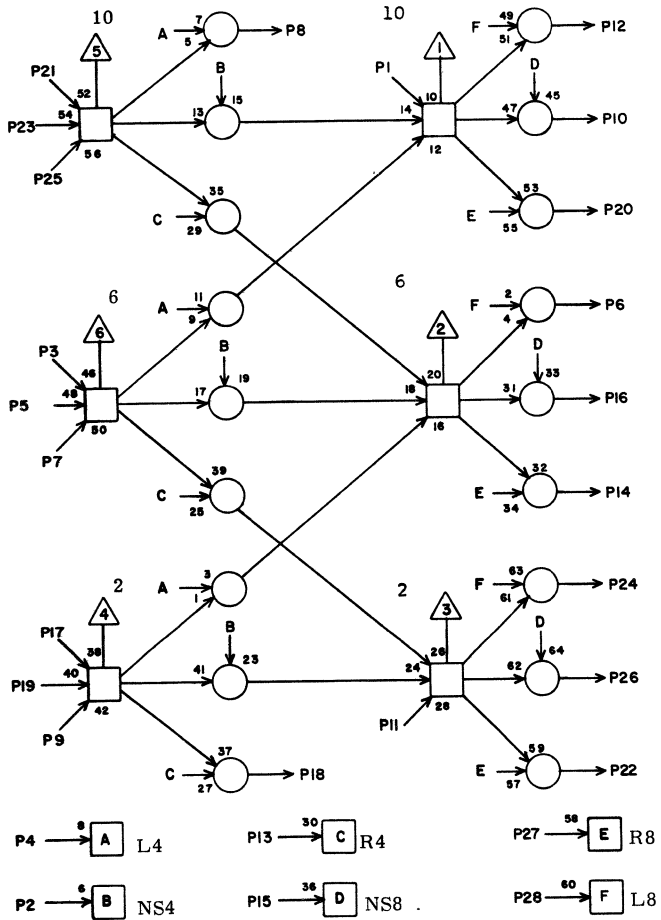
1	L36	17	19
2	O41	19	7
3	N26	28	19
4	O37	11	9
5	N26	3	19
6			
7	K39	8	23
8			
9	P32	22	13
10	M39	28	15
11			
12			
13			
14			
15			
16			
17	K39	10	23
18	M40	28	15
19	P32	23	13
20	L36	12	21
21	N26	1	19
22	O36	21	11
23	N26	26	21
24			
25	N25	1	21
26	O42	19	7
27			
28	O38	11	11

JACK PIN LG

63017200 Rev. E

8P42

SHIFT NETWORK

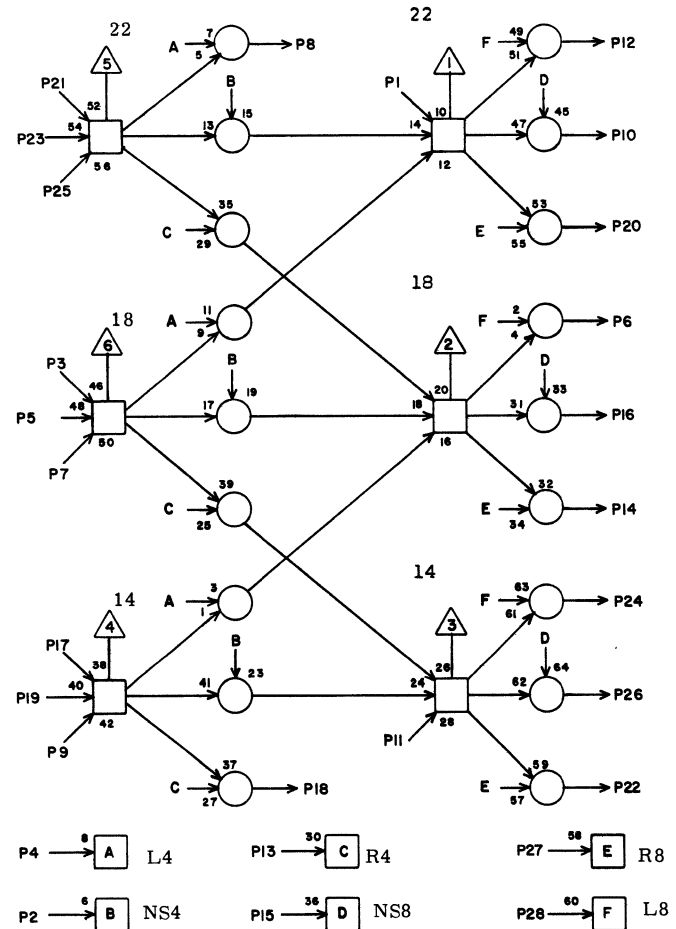


QF 8Q01

1	Q02	18	5
2	M11	11	21
3	Q13	20	15
4	M10	11	19
5	Q13	26	15
6	O15	9	19
7	Q12	6	13
8	Q02	11	5
9	Q11	24	13
10	P05	4	9
11	Q05	8	7
12	O03	9	13
13	M12	11	21
14			
15	M14	11	23
16	P04	14	7
17	Q12	14	13
18			
19	Q11	10	13
20	P02	8	7
21	Q15	22	15
22			
23	Q14	16	15
24	P05	6	11
25	Q13	12	15
26	P02	5	9
27	M15	11	25
28	M13	11	23

JACK PIN LG

SHIFT NETWORK

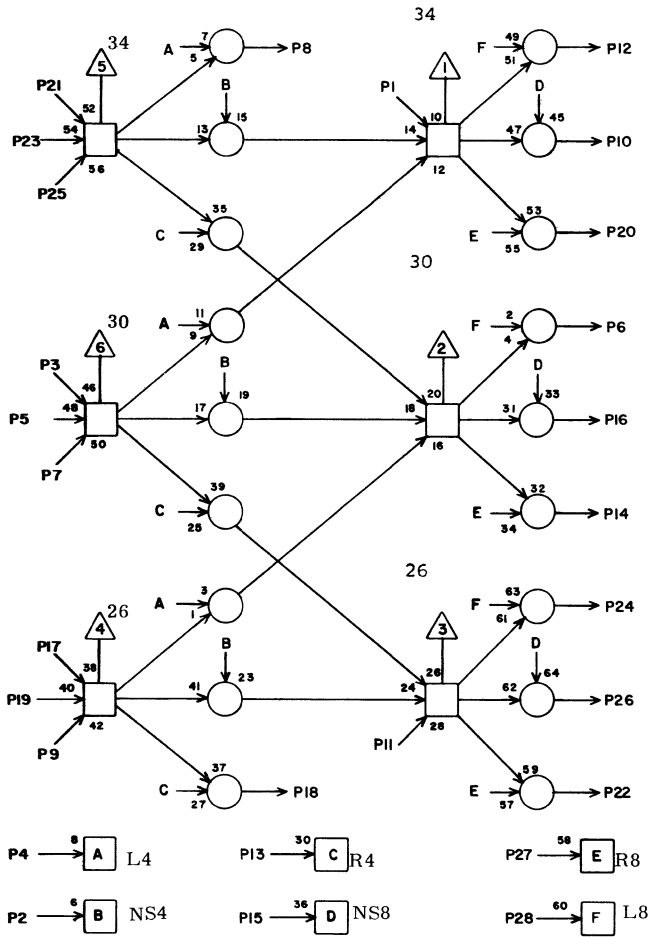


QF 8Q02

1	Q03	18	5
2	M11	13	19
3	R02	20	9
4	M10	13	19
5	R02	26	9
6	O11	9	15
7	R01	6	7
8	Q03	11	5
9	Q15	24	15
10	O07	19	13
11	Q01	8	5
12	O15	7	17
13	M12	13	21
14	P05	2	9
15	M14	13	23
16	O03	19	11
17	R01	14	7
18	Q01	1	5
19	Q15	10	15
20	O15	17	17
21	R04	22	7
22	P04	12	9
23	R03	16	7
24	O07	9	15
25	R02	12	7
26	O15	19	17
27	M15	13	23
28	M13	13	23

JACK PIN LG

SHIFT NETWORK



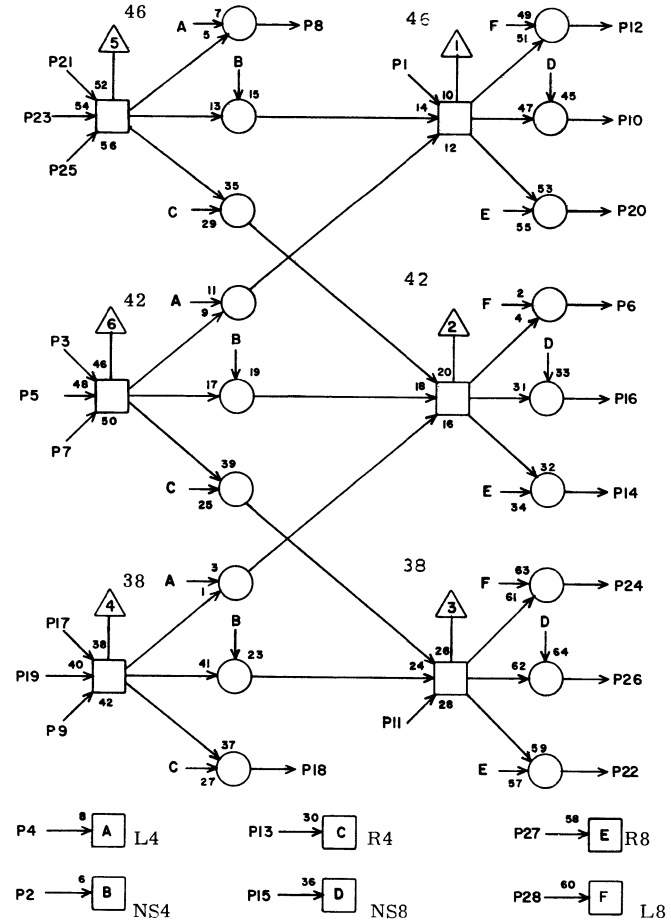
QF 8Q03

1	Q04	13	5
2	M11	15	19
3	R06	20	9
4	M10	15	19
5	R06	26	9
6	O07	7	13
7	R05	6	7
8	Q04	11	5
9	R04	24	9
10	O03	5	13
11	Q02	8	5
12	O11	7	15
13	M12	15	21
14	O07	17	13
15	M14	15	21
16	O15	5	17
17	R05	14	7
18	Q02	1	5
19	R04	10	7
20	O11	17	15
21	R08	22	9
22	O03	17	13
23	R07	16	7
24	O03	7	13
25	R06	12	7
26	O11	19	15
27	M15	15	23
28	M13	15	23

JACK PIN LG

63017200 Rev. E

SHIFT NETWORK



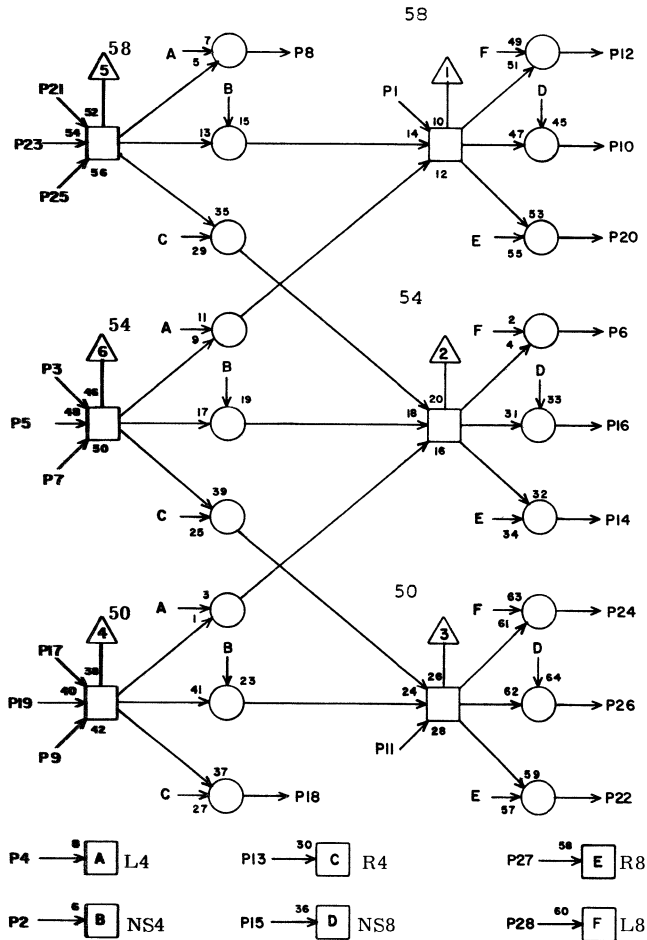
QF 8Q04

1	Q05	18	5
2	M11	17	19
3	R10	20	11
4	M10	17	19
5	R10	26	11
6	O03	25	9
7	R09	6	9
8	Q05	11	5
9	R08	24	9
10	O15	23	15
11	Q03	8	5
12	O07	25	11
13	M12	17	19
14	O03	3	13
15	M14	17	21
16	O11	5	15
17	R09	14	9
18	Q03	1	5
19	R08	10	7
20	O07	3	13
21	R12	22	11
22	O15	3	17
23	R11	16	11
24	O15	25	17
25	R10	12	9
26	O07	5	13
27	M15	17	23
28	M13	17	21

JACK PIN LG

63017200 Rev. E

SHIFT NETWORK

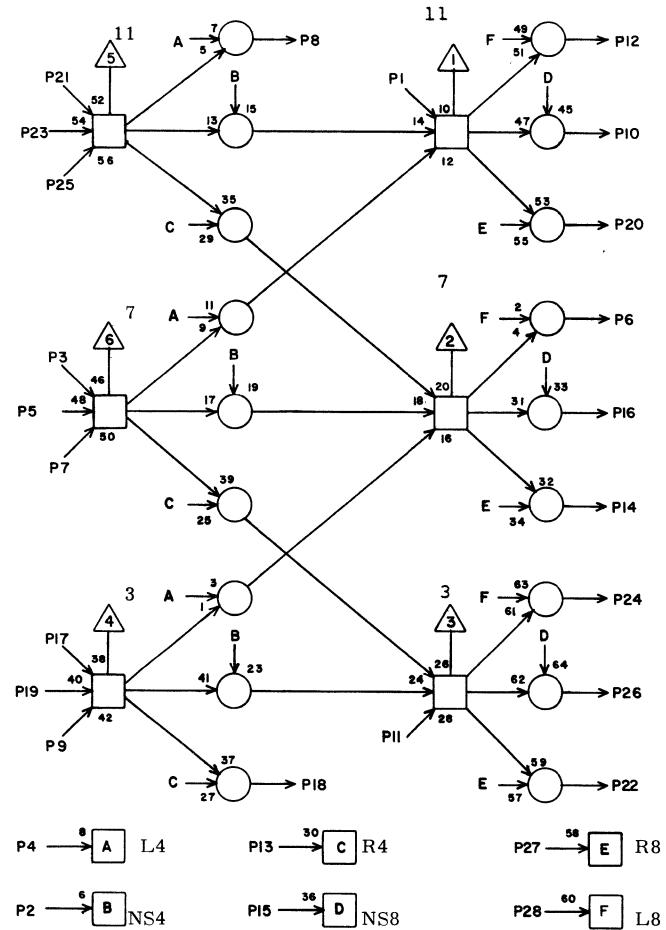


QF 8Q05

1	K17	20	20
2	M11	18	19
3	R14	20	13
4	M10	18	19
5	R14	26	13
6	P02	10	7
7	R13	6	11
8	Q01	11	7
9	R12	24	13
10	O11	23	13
11	Q04	8	5
12	P04	16	7
13	M12	18	19
14	O15	21	15
15	M14	18	21
16	O07	23	11
17	R13	14	11
18	Q04	1	5
19	R12	10	11
20	O03	21	11
21	K17	5	29
22	O11	3	15
23	R15	16	13
24	O11	25	13
25	R14	12	13
26	O03	23	13
27	M15	18	21
28	M13	19	21

JACK PIN LG

SHIFT NETWORK

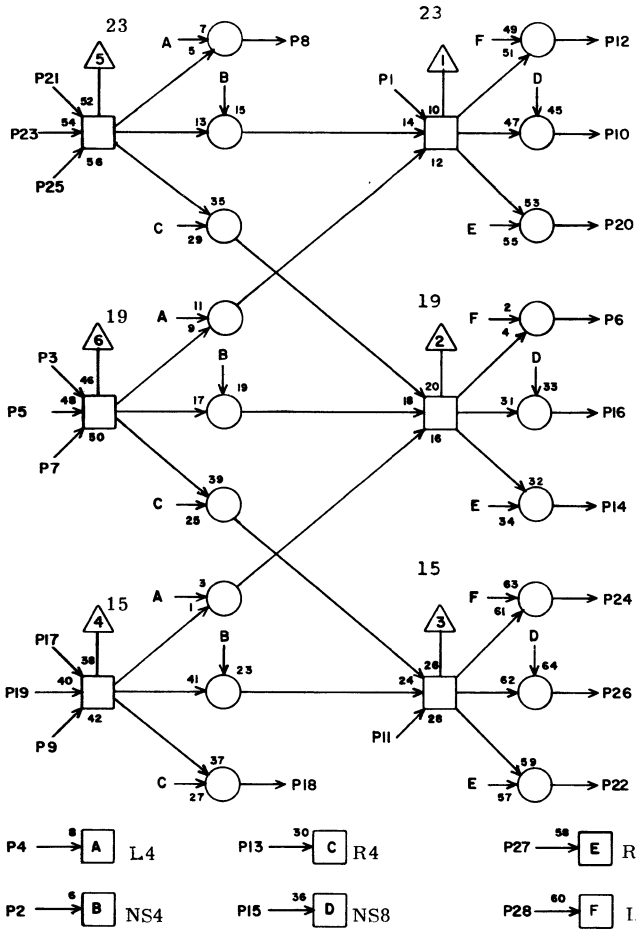


QF 8Q06

1	Q07	18	5
2	M11	19	19
3	Q14	22	11
4	M10	19	17
5	Q13	16	11
6	P01	9	9
7	Q12	12	9
8	Q07	11	5
9	Q11	6	7
10	P05	5	7
11	Q10	8	7
12	O04	9	13
13	M12	19	19
14			
15	M14	19	19
16	P04	4	9
17	Q12	20	9
18			
19	Q12	26	9
20	P03	12	9
21	Q15	14	11
22			
23	Q14	10	11
24	P05	10	9
25	Q14	24	11
26	P03	14	9
27	M15	19	21
28	M13	19	21

JACK PIN LG

SHIFT NETWORK

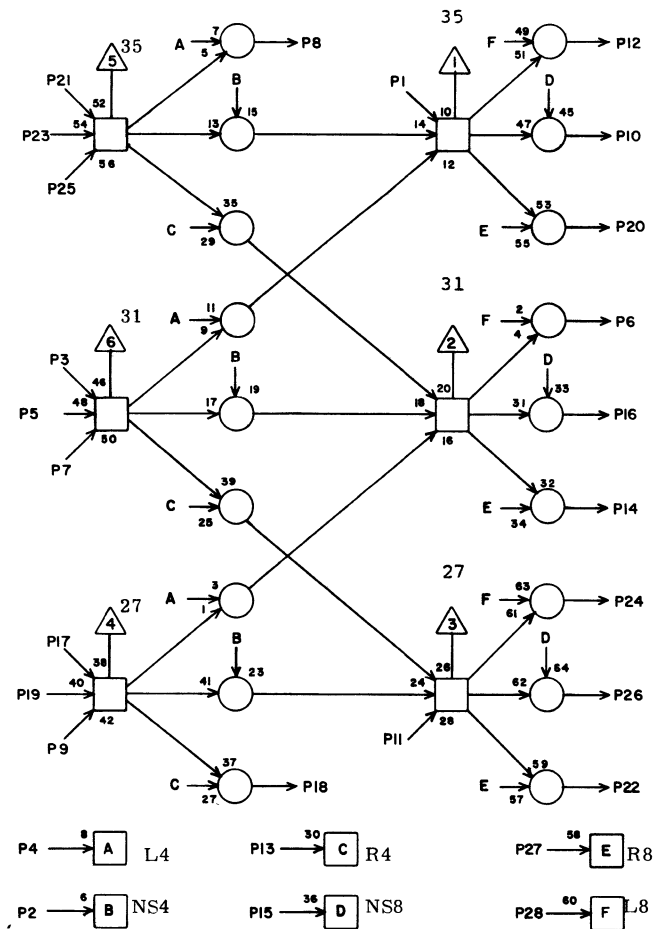


QF 8207

1	Q08	18	5
2	M11	20	17
3	R03	22	11
4	M10	20	17
5	R02	16	11
6	O12	9	13
7	R01	12	11
8	Q08	11	5
9	Q15	6	11
10	O08	19	11
11	Q06	8	5
12	P01	7	11
13	M12	20	19
14	P05	8	7
15	M14	20	19
16	O04	19	11
17	R01	20	11
18	Q06	1	5
19	R01	26	11
20	P01	17	11
21	R04	14	9
22	P04	2	11
23	R03	10	9
24	O08	9	13
25	R03	24	9
26	P01	19	11
27	M15	20	21
28	M13	20	19

JACK PIN LG

SHIFT NETWORK

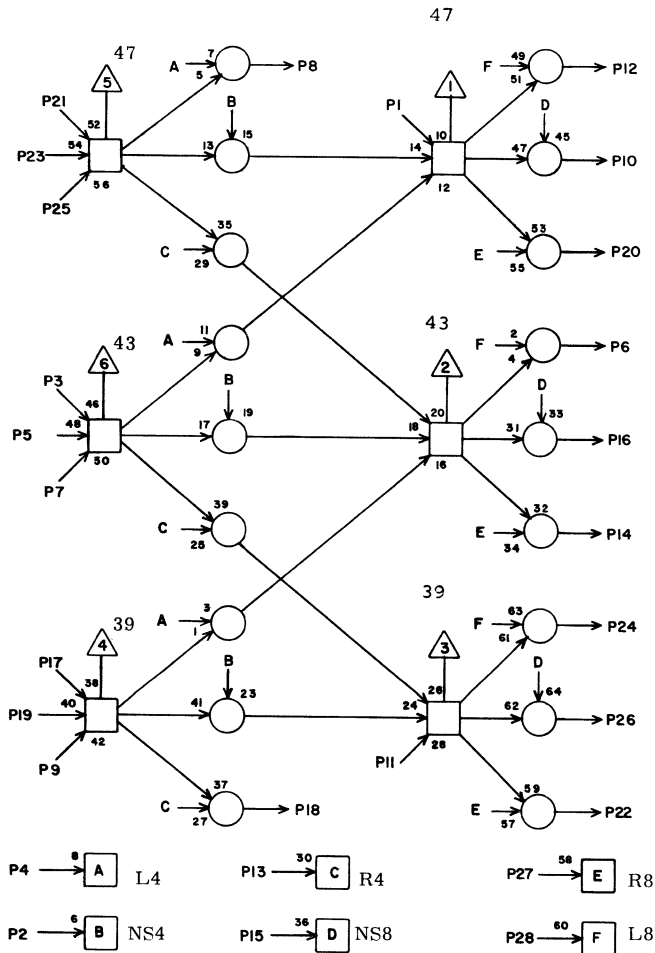


QF 8Q0E

1	Q09	18	5
2	M11	21	17
3	R07	22	9
4	M10	21	17
5	R06	16	9
6	O08	7	11
7	R05	12	9
8	Q09	11	5
9	R04	6	9
10	O04	5	13
11	Q07	8	5
12	O12	7	13
13	M12	21	19
14	O08	17	11
15	M14	21	19
16	P01	5	11
17	R05	20	9
18	Q07	1	5
19	R05	26	9
20	O12	17	13
21	R08	14	7
22	O04	17	13
23	R07	10	7
24	O04	7	13
25	R07	24	7
26	O12	19	13
27	M15	21	21
28	M13	21	19

JACK PIN LG

SHIFT NETWORK



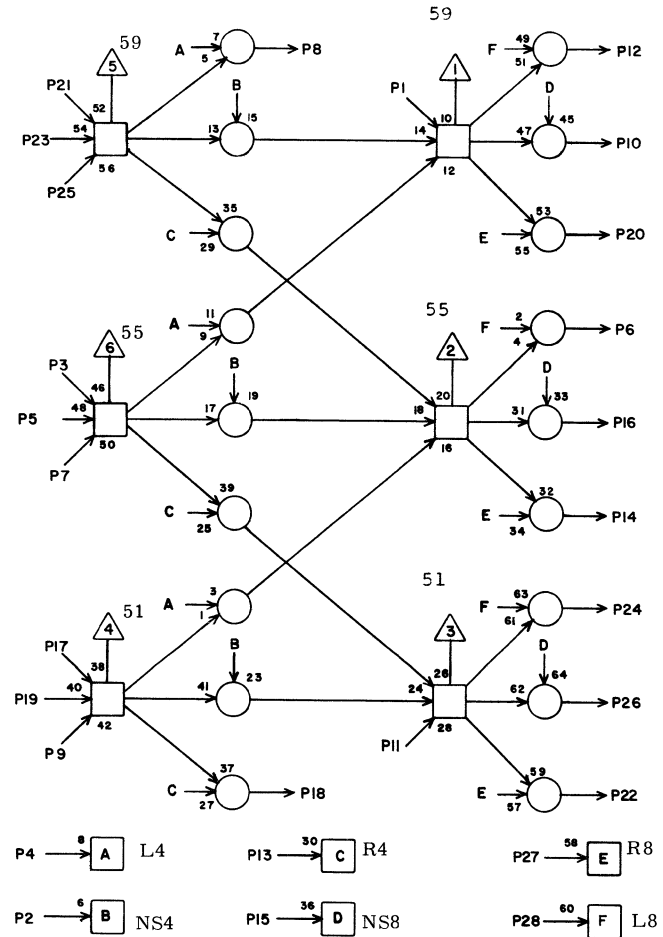
QF 8Q00

1	Q10	18	5
2	M11	22	17
3	R11	22	9
4	M10	22	17
5	R10	16	9
6	O04	25	11
7	R09	12	7
8	Q10	11	5
9	R08	6	7
10	P01	23	11
11	Q08	8	5
12	O08	25	11
13	M12	22	19
14	O04	3	13
15	M14	22	19
16	O12	5	13
17	R09	20	7
18	Q08	1	5
19	R09	26	7
20	O08	3	13
21	R12	14	7
22	P01	3	13
23	R11	10	7
24	P01	25	11
25	R11	24	7
26	O08	5	13
27	M15	22	19
28	M12	22	19

JACK PIN LG

63017200 Rev. E

SHIFT NETWORK



QF 8Q10

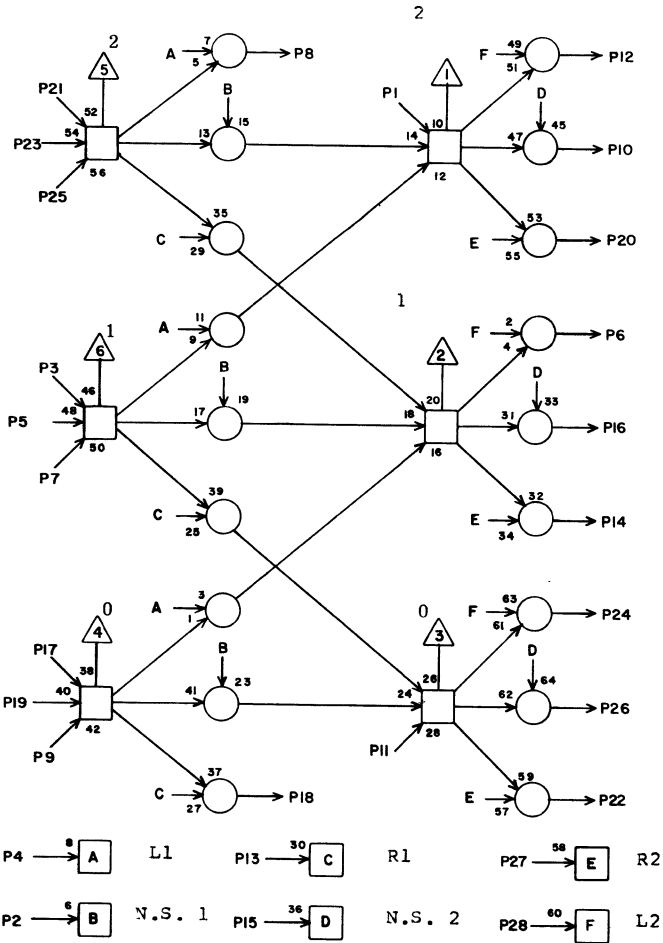
1	K17	22	25
2	M11	23	17
3	R15	22	11
4	M10	23	17
5	R14	16	9
6	P03	16	11
7	R13	12	9
8	Q06	11	7
9	R12	6	7
10	Q12	23	11
11	Q09	8	5
12	P04	6	11
13	M12	23	19
14	P01	21	13
15	M14	23	19
16	O08	23	11
17	R13	20	9
18	Q09	1	5
19	R13	26	9
20	O04	21	13
21	K17	7	29
22	O12	3	13
23	R15	10	9
24	O12	25	13
25	R15	24	9
26	O04	23	13
27	M15	23	19
28	M13	23	19

JACK PIN LG

63017200 Rev. E

8Q10

SHIFT NETWORK

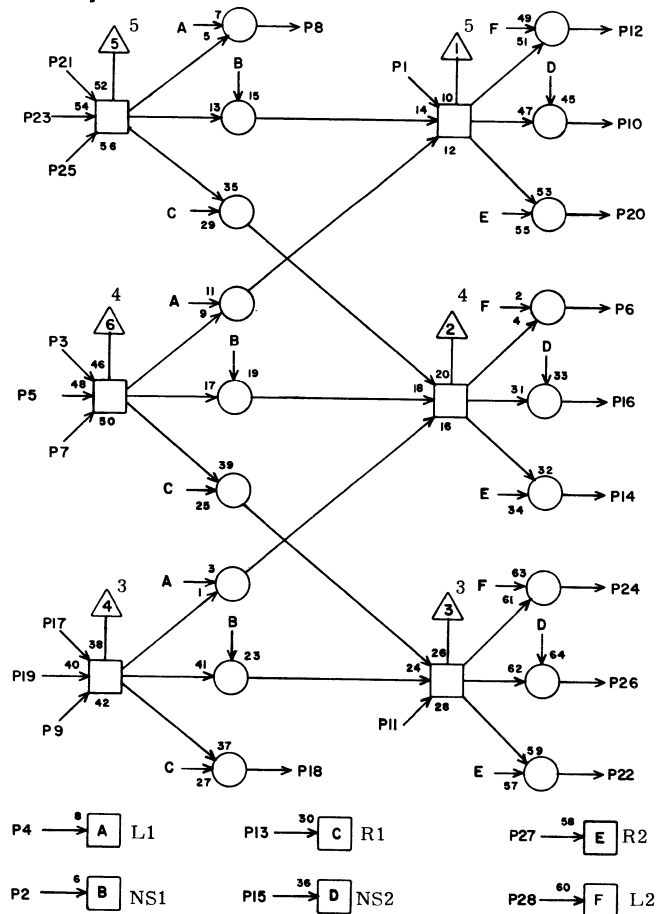


QF 8Q11

1	Q12	18	5
2	N11	1	15
3	Q11	X	?
4	N10	1	15
5	J12	1	31
6	Q06	9	7
7	Q11	X	2
8	Q12	11	5
9	Q11	X	2
10	Q01	19	13
11	R15	8	?
12	P06	7	9
13	N12	1	17
14			
15	N14	1	17
16	P11	19	7
17	Q11	X	2
18			
19	J12	8	31
20	P06	17	9
21	Q11	X	2
22			
23	J12	28	29
24	Q01	9	13
25	Q11	X	2
26	P06	19	?
27	N15	1	17
28	N13	1	17

JACK PIN LG

SHIFT NETWORK

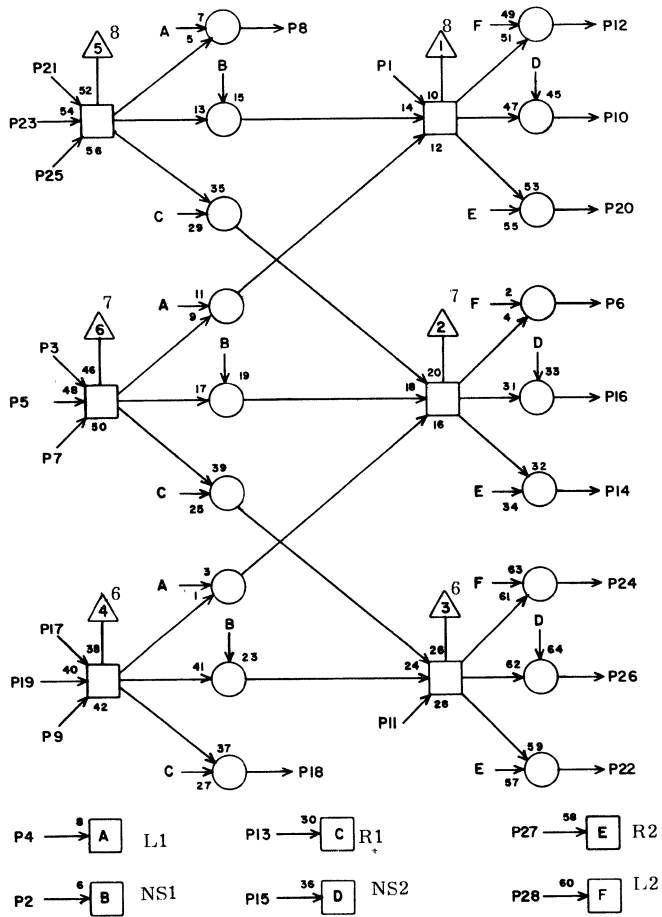


QF 8Q12

1	Q13	1e	5
2	N11	2	15
3	Q12	X	2
4	N10	2	15
5	J13	8	31
6	Q01	7	13
7	Q12	X	2
8	Q13	11	5
9	Q12	X	2
10	P11	5	7
11	Q11	8	5
12	Q06	7	9
13	N12	2	17
14	Q01	17	13
15	N14	2	17
16	P06	5	11
17	Q12	X	2
18	Q11	1	5
19	J12	21	29
20	Q06	17	9
21	Q12	X	2
22	P11	17	7
23	J13	1	31
24	P11	7	9
25	Q12	X	2
26	Q06	19	9
27	N15	2	17
28	N13	2	17

JACK PIN LG

SHIFT NETWORK

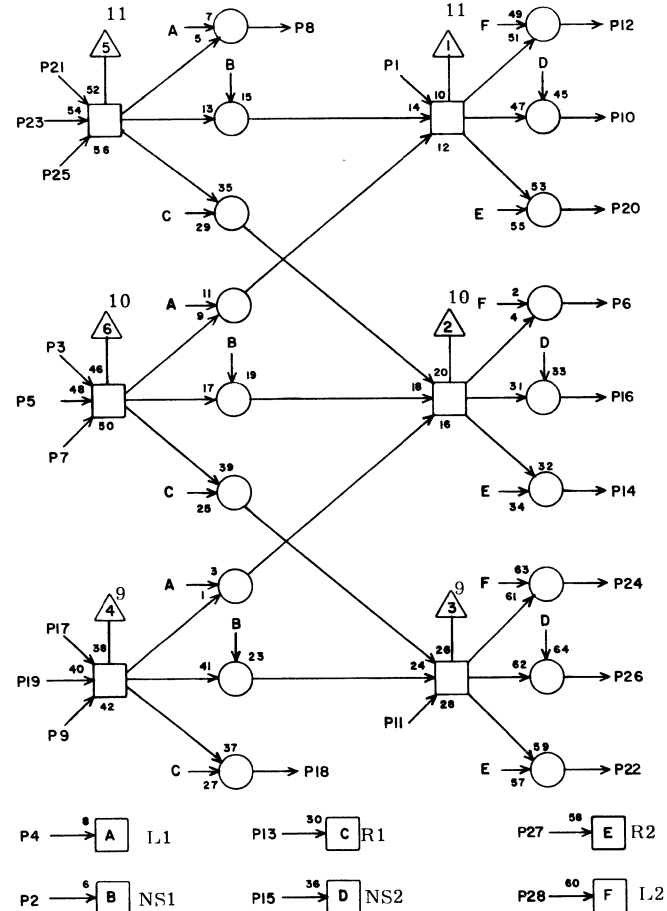


QF 8Q13

1	Q14	18	5
2	N11	3	15
3	Q13	X	2
4	N10	3	15
5	J13	21	29
6	P11	25	7
7	Q13	X	2
8	Q14	11	5
9	Q13	X	2
10	P06	23	11
11	Q12	8	5
12	Q01	25	15
13	N12	3	15
14	P11	3	7
15	N14	3	17
16	Q06	5	11
17	Q13	X	2
18	Q12	1	5
19	J13	28	29
20	Q01	3	15
21		X	2
22	P06	3	13
23	J14	8	31
24	P06	25	11
25	Q13	X	2
26	Q01	5	15
27	N15	3	17
28	N13	3	17

JACK PIN LG

SHIFT NETWORK

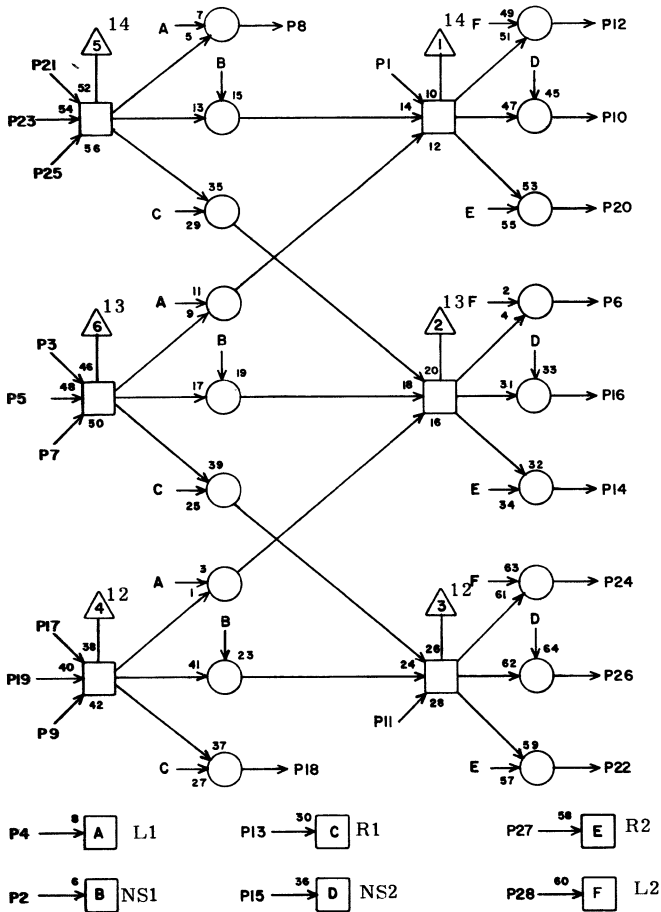


QF 8Q14

1	Q15	18	5
2	N11	4	15
3	Q14	X	2
4	N10	4	15
5	J14	28	31
6	P07	9	11
7	Q14	X	2
8	Q15	11	5
9	Q14	X	2
10	Q06	23	11
11	Q13	8	5
12	P12	9	7
13	N12	4	15
14	P06	21	11
15	N14	4	17
16	Q01	23	15
17	Q14	X	2
18	Q13	1	5
19	J14	1	31
20	P11	21	7
21	Q14	X	2
22	Q06	3	11
23	J14	21	29
24	Q06	25	11
25	Q14	X	2
26	P11	23	9
27	N15	4	17
28	N13	4	17

JACK PIN LG

SHIFT NETWORK



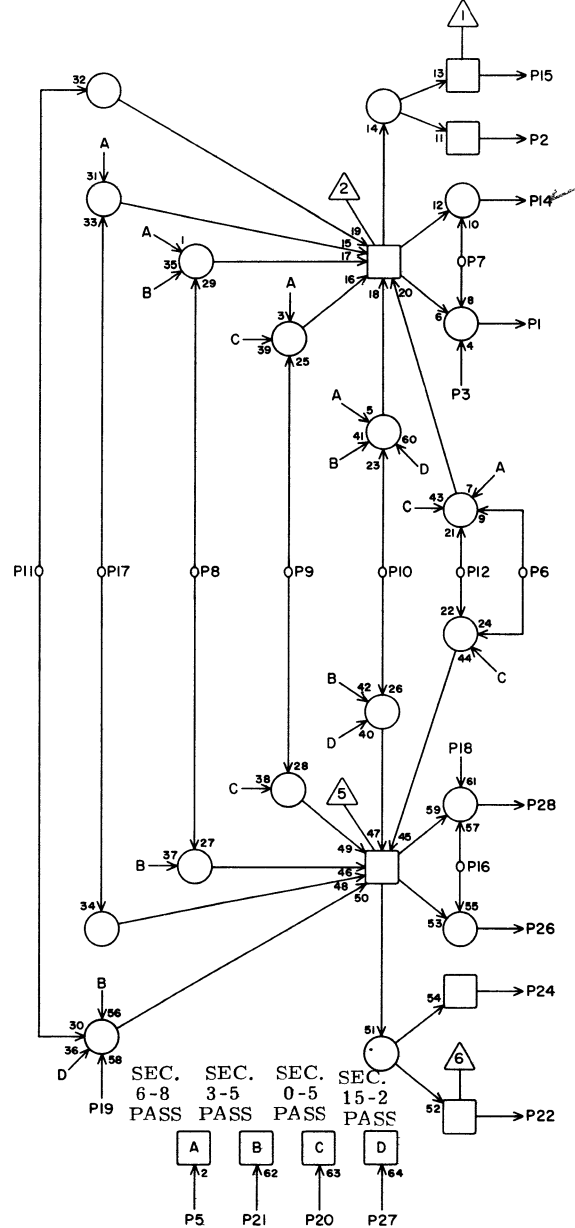
QF 8Q15

1	R01	18	17
2	N11	5	15
3	Q15	X	2
4	N10	5	15
5	J15	1	29
6	Q07	9	11
7	Q15	X	2
8	R01	11	17
9	Q15	X	2
10	Q02	19	15
11	Q14	8	5
12	P07	7	11
13	N12	5	15
14	Q06	21	11
15	N14	5	15
16	P12	19	7
17	Q15	X	2
18	Q14	1	5
19	J15	8	31
20	P07	17	11
21	Q15	X	2
22	Q01	21	15
23	J15	28	29
24	Q02	9	15
25	Q15	X	2
26	P07	19	13
27	N15	5	17
28	N13	5	17

JACK PIN LG

63017200 Rev. B

ADD COEF. ADDER CARRIES



MJ 8Q16

1	N18	17	15
2	N35	24	23
3	L20	24	21
4			
5	O16	1	13
6	L20	11	23
7	N35	16	23
8	N17	9	15
9	N19	19	15
10	N19	9	17
11	N18	9	17
12	N18	19	15
13			
14	N18	21	15
15	Q20	14	7
16	N34	13	25
17	N17	19	15
18	O16	10	13
19	L20	28	23
20	O16	22	13
21	O16	13	13
22	N34	3	25
23			
24	P22	14	11
25			
26	N18	10	17
27	L20	3	25
28	N18	11	17

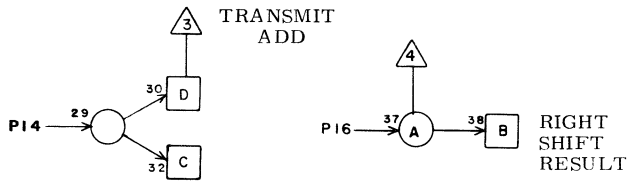
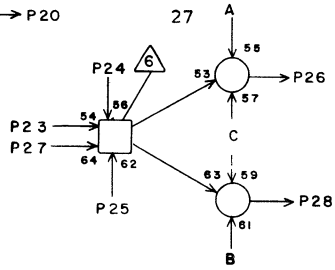
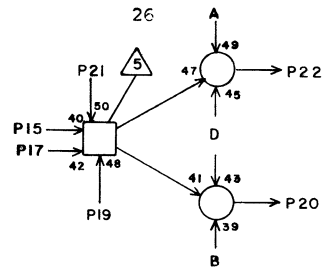
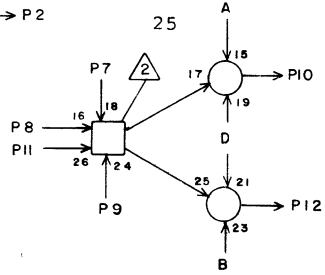
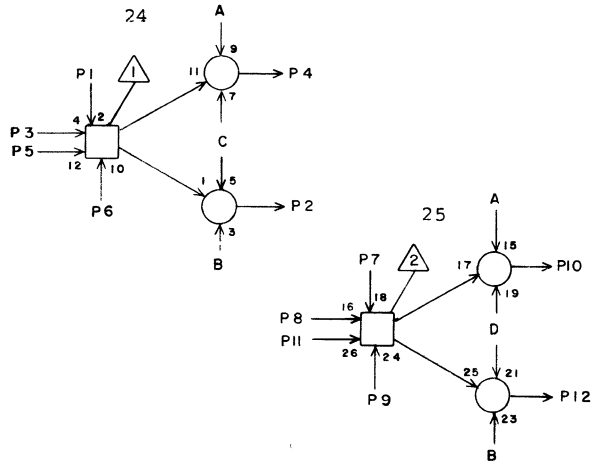
JACK PIN LG

63017200 Rev. B

ADD COEF. RESULT AND SHIFT NET.

NA

8Q17

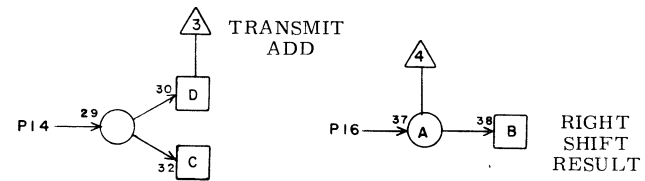
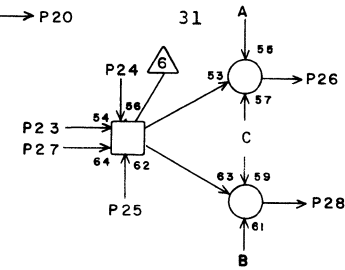
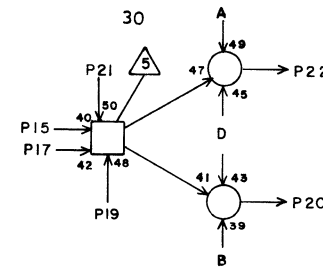
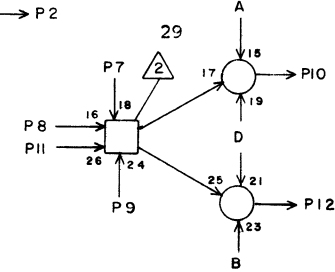
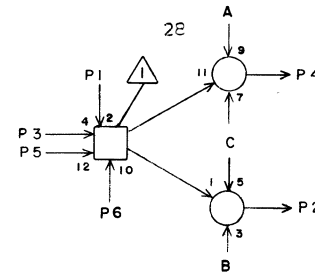


	JACK	PIN	LG
1	O27	22	15
2	N01	25	19
3	O27	25	15
4	N02	2	21
5	Q29	22	15
6	Q29	25	17
7	Q30	1	17
8	Q30	16	17
9	O28	1	17
10	N02	10	21
11	O28	16	15
12	N02	4	21
13			
14	N06	13	19
15	Q30	22	17
16	N27	23	17
17	O28	22	15
18			
19	O28	25	15
20	N02	8	21
21	Q30	25	17
22	N02	19	21
23	R20	1	9
24	R20	16	9
25	O29	1	17
26	N02	27	21
27	O29	16	17
28	N02	21	21

ADD COEF. RESULT AND SHIFT NET.

NA

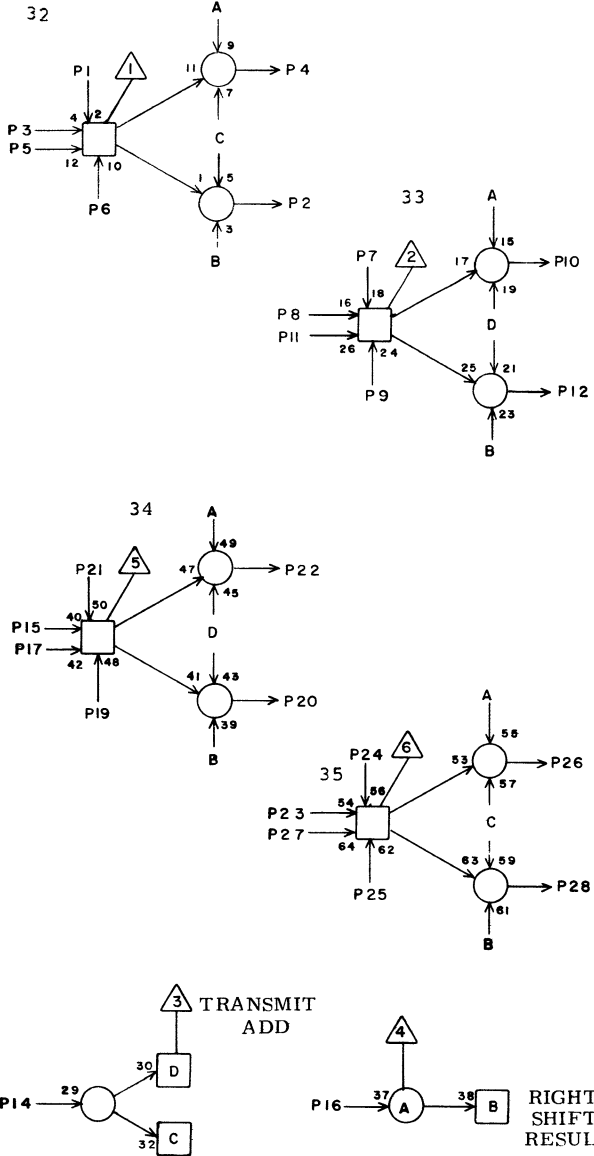
8Q18



	JACK	PIN	LG
1	O29	22	15
2	N02	25	19
3	O29	25	15
4	N03	2	21
5	R20	22	9
6	R20	25	9
7	R21	1	7
8	R21	16	9
9	O30	1	17
10	N03	10	21
11	O30	16	17
12	N03	4	21
13			
14	N06	17	19
15	R21	22	9
16	N27	25	17
17	O30	22	17
18			
19	O30	25	15
20	N03	8	21
21	R21	25	9
22	N03	19	21
23	R22	1	7
24	R22	16	9
25	P20	1	9
26	N03	27	21
27	P20	16	7
28	N03	21	21

ADD COEF. RESULT AND SHIFT NET.

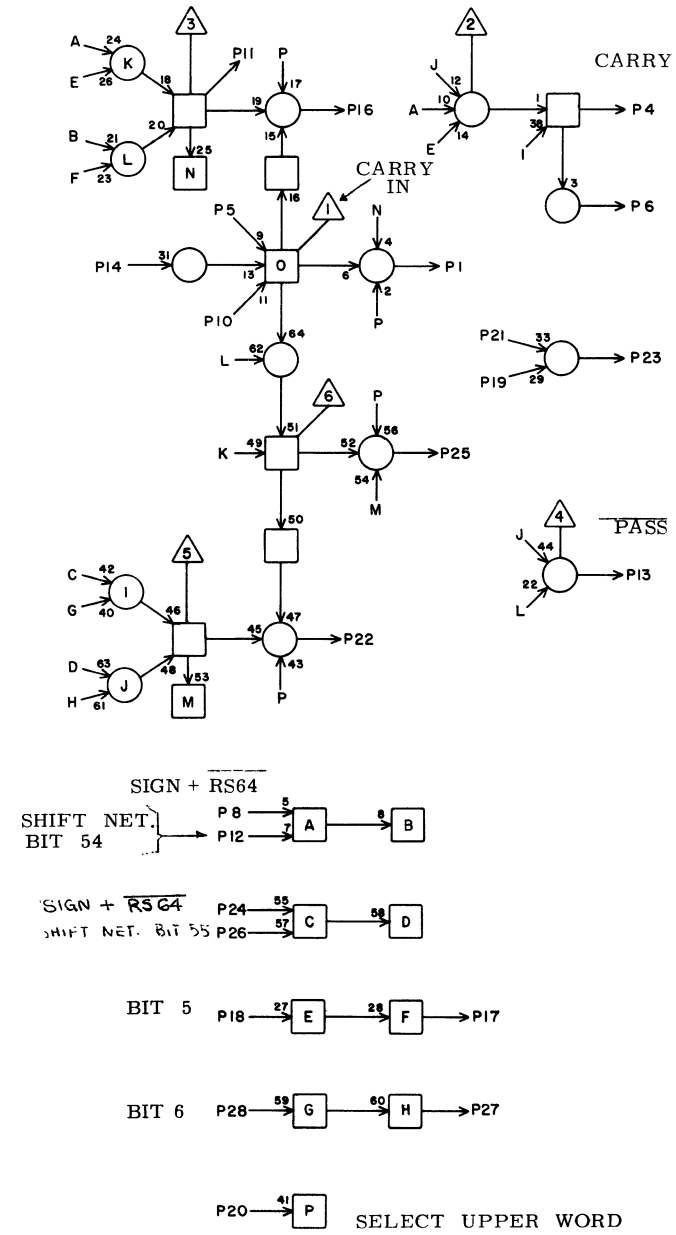
NA 8 13



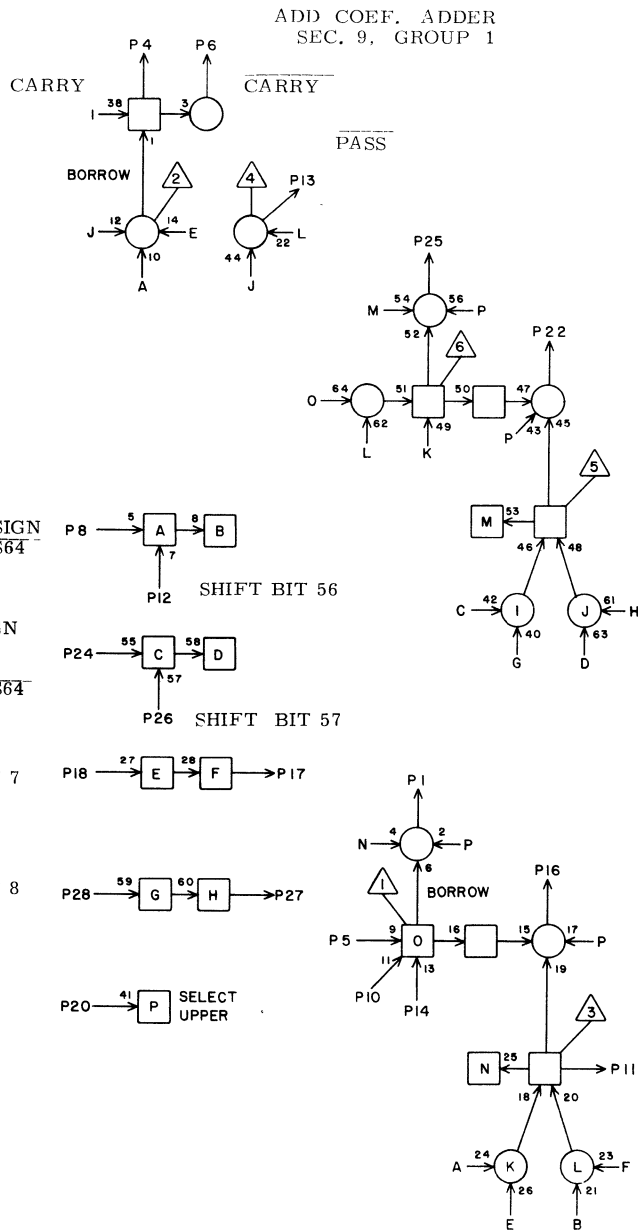
	JACK	PIN	LG
1	P20	22	5
2	NO3	25	19
3	P20	25	5
4	NO4	2	21
5	R22	22	9
6	R22	25	9
7	R23	1	9
8	R23	16	9
9	P21	1	7
10	NO4	10	21
11	P21	16	7
12	NO4	4	21
13			
14	NO6	22	19
15	R23	22	9
16	N27	22	17
17	P21	22	7
18			
19	P21	25	7
20	NO4	8	21
21	R23	25	9
22	NO4	19	21
23	R24	1	9
24	R24	16	9
25	P22	1	11
26	NO4	27	21
27	P22	16	9
28	NO4	21	21

ADD COEF. ADDER
SEC. 9, GROUP 0

NK 8 20



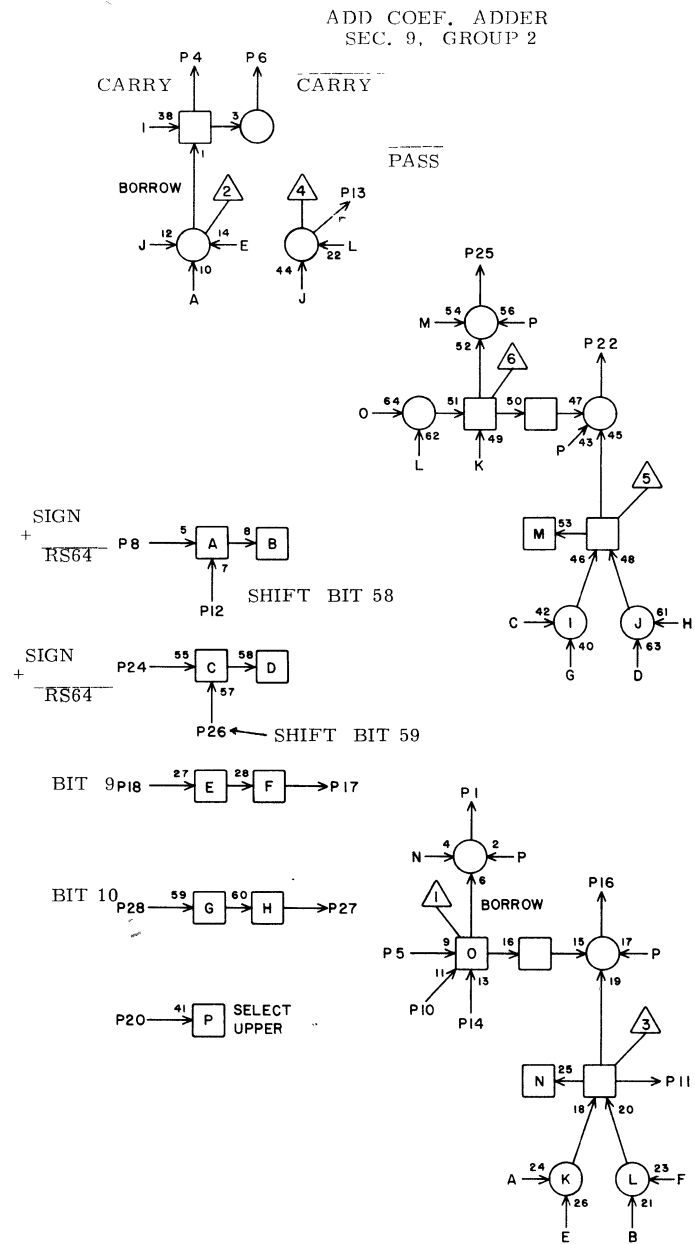
	JACK	PIN	LG
1	O18	7	11
2			
3			
4	N35	25	21
5			
6	Q21	5	5
7			
8	R31	1	15
9			
10			
11			
12	P35	8	17
13	N35	27	21
14	Q16	15	7
15			
16	O18	8	13
17			
18	K24	24	27
19	C19	8	55
20	M16	3	21
21	G17	19	37
22	O18	15	13
23	F21	16	43
24	R31	2	13
25	O18	21	13
26	P36	22	19
27			
28	K24	7	27



NG 8Q2

1	Q18	23	11
2			
3			
4	N35	21	13
5	Q20	6	5
6	Q22	5	5
7			
8	R31	3	13
9			
10	N35	23	19
11			
12	P36	8	17
13	N35	22	19
14			
15			
16	Q18	24	11
17			
18	K25	24	27
19			
20	M16	4	21
21			
22	Q19	5	13
23			
24	R31	4	13
25	Q19	6	13
26	Q33	22	15
27			
28	K25	7	27

JACK PIN LG

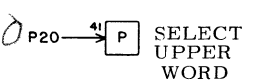
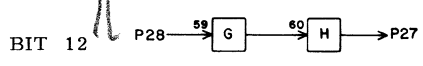
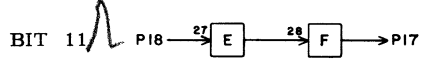
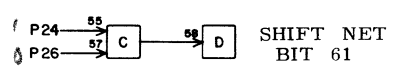
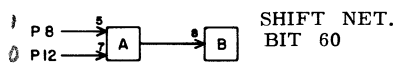
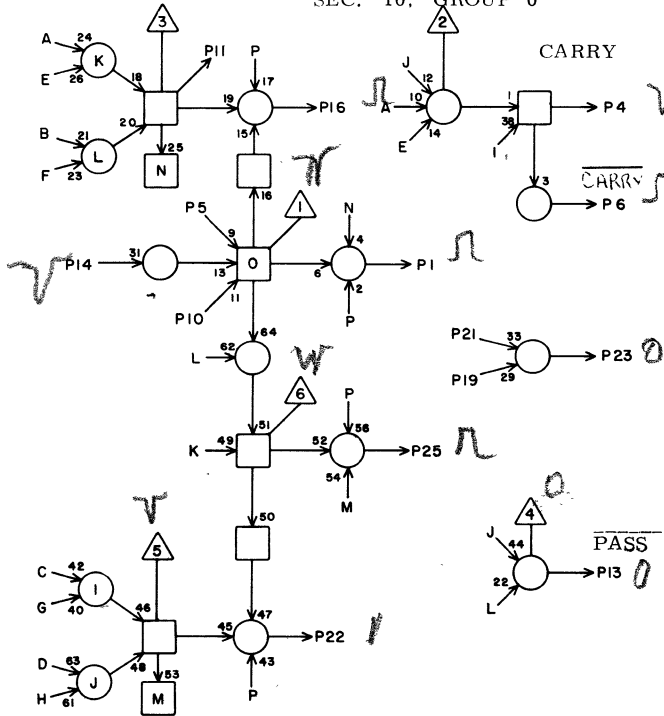


NG 8Q2

1	Q19	7	11
2			
3			
4	N35	19	19
5	Q21	6	5
6			
7			
8	R31	5	13
9			
10	N35	23	19
11			
12	Q33	8	13
13	N35	20	19
14	N35	26	19
15			
16	Q19	8	13
17			
18	K26	24	27
19			
20	M16	5	21
21			
22	Q19	15	13
23			
24	R31	6	13
25	Q19	21	13
26	Q34	27	15
27			
28	K26	7	29

JACK PIN LG

ADD COEF. ADDER
SEC. 10, GROUP 0

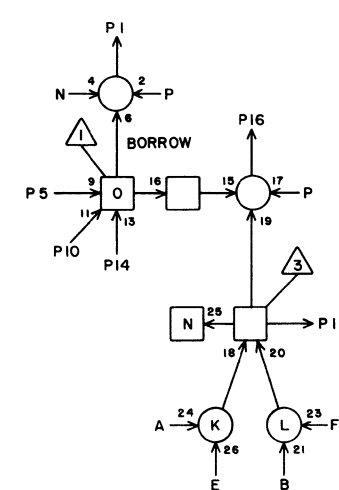
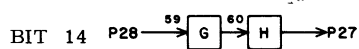
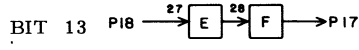
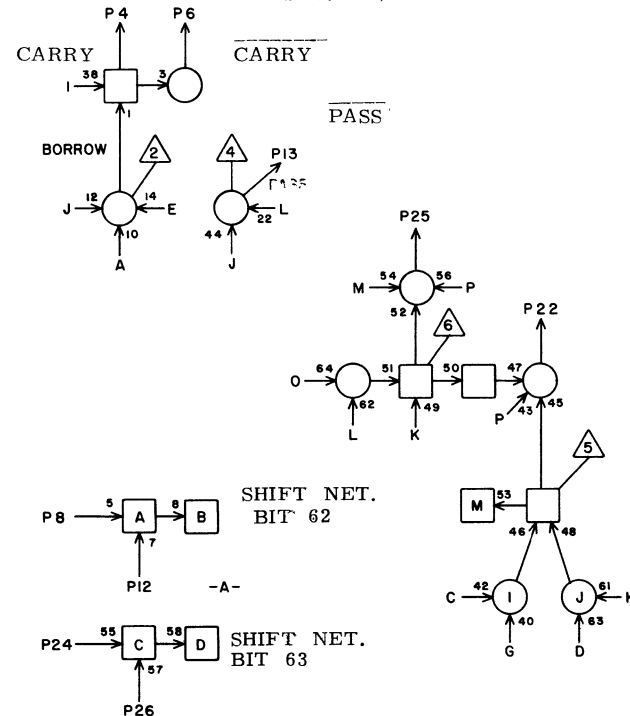


NK 8Q23

1	O19	23	11
2			
3			
4	O33	6	15
5			
6	Q24	5	5
7			
8	R31	7	13
9			
10			
11			
12	Q34	8	13
13	O33	2	15
14	N18	24	15
15			
16	O19	24	11
17			
18	L21	24	23
19	H24	20	35
20	M16	6	21
21			
22	P17	5	11
23	C26	5	65
24	R31	8	11
25	P17	6	13
26	Q35	22	15
27			
28	L21	7	25

JACK PIN LG

ADD COEF. ADDER
SEC. 10, GROUP 1

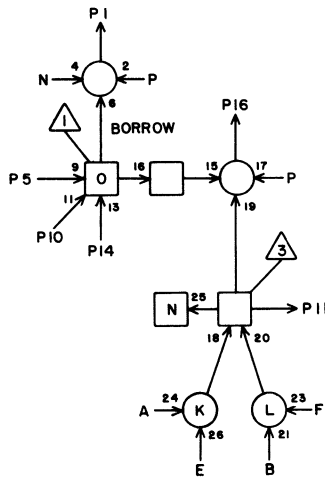
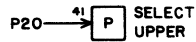
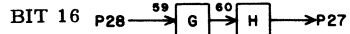
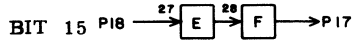
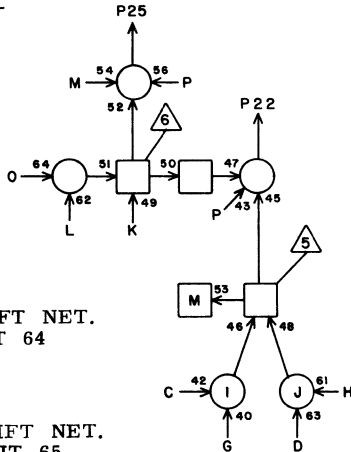
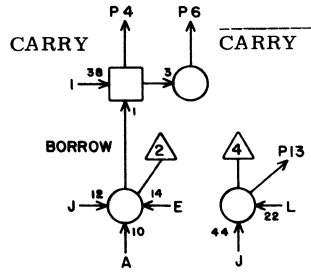


NG 8Q24

1	P17	7	11
2			
3			
4	O33	8	15
5	Q23	6	5
6	Q25	5	5
7			
8	R31	9	15
9			
10	O33	1	15
11			
12	Q35	8	13
13	O33	7	15
14			
15			
16	P17	8	11
17			
18	L22	24	23
19			
20	M16	7	21
21			
22	P17	15	11
23			
24	R31	10	11
25	P17	21	11
26	Q36	22	15
27			
28	L22	7	23

JACK PIN LG

ADD COEF. ADDER
SEC. 10, GROUP 2



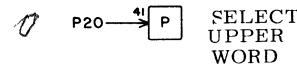
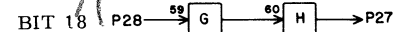
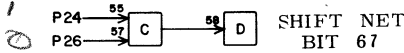
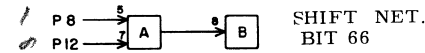
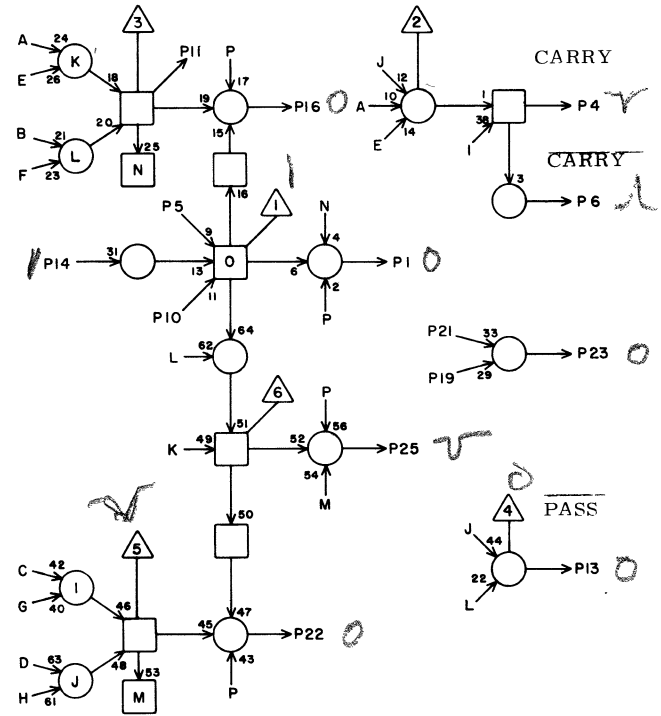
NG 8Q25

1	P17	23	11
2			
3			
4	O33	10	15
5	Q24	6	5
6			
7			
8	R31	11	11
9			
10	O33	4	15
11			
12	Q36	8	13
13	O33	9	15
14	O33	5	15
15			
16	P17	24	11
17			
18	L23	24	23
19			
20	M16	8	21
21			
22	P18	5	13
23			
24	R31	13	11
25	P18	6	13
26	Q37	22	15
27			
28	L23	7	23

JACK PIN LG

63017200 Rev. E

NK 8Q26



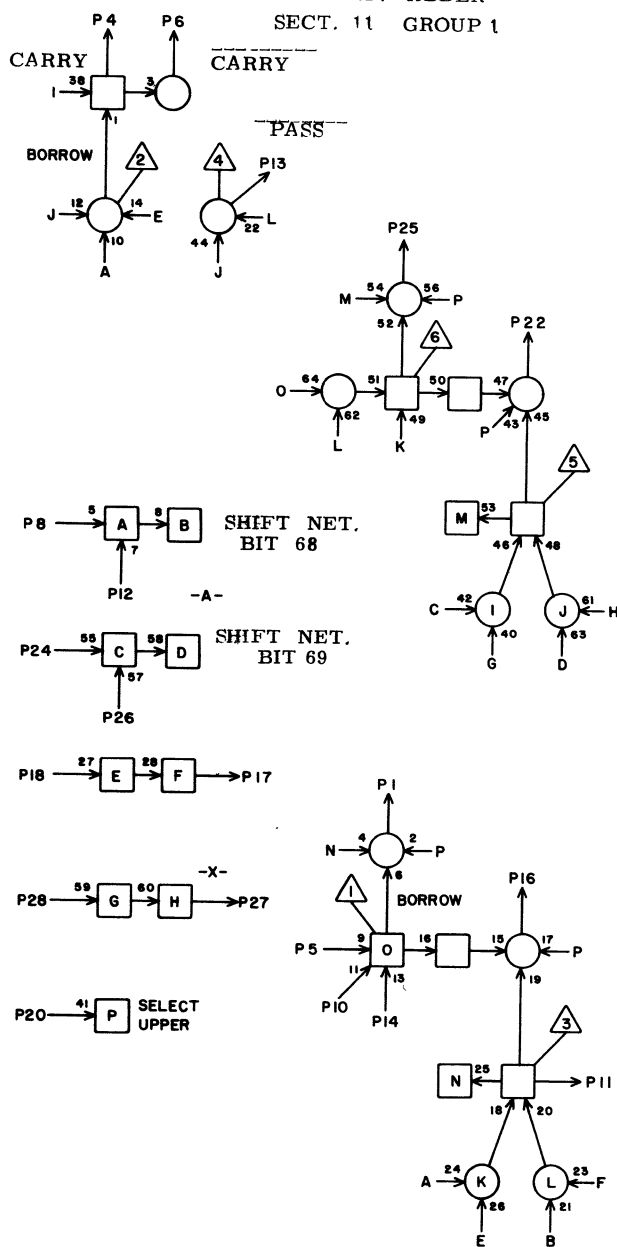
1	P18	7	11
2			
3			
4	O33	25	13
5			
6	Q27	5	5
7			
8	R31	15	11
9			
10			
11			
12	Q37	8	13
13	O33	27	13
14	N18	18	17
15			
16	P18	8	13
17			
18	L24	24	23
19	L40	22	25
20	M16	9	21
21	H09	14	39
22	P18	15	13
23	R24	19	7
24	R31	17	9
25	P18	21	13
26	Q38	22	15
27			
28	L24	7	23

JACK PIN LG

63017200 Rev. AB

8Q26

ADD COEF. ADDER
SECT. 11 GROUP 1

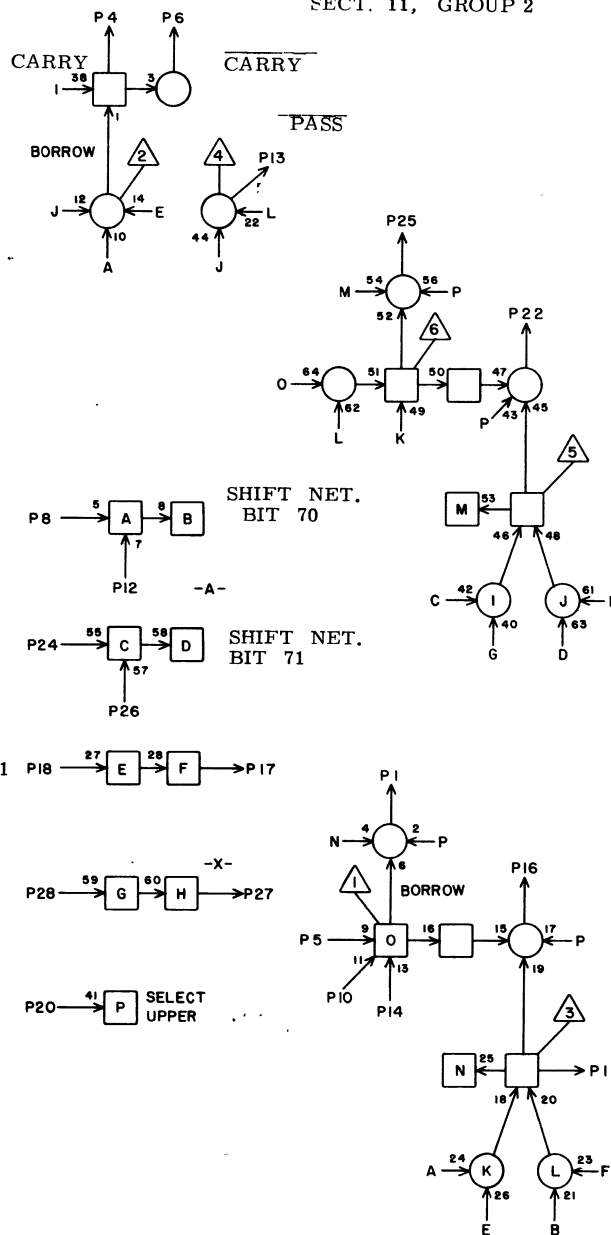


NG 8Q27

1	P18	23	13
2			
3			
4	O33	21	13
5	Q26	6	5
6	Q28	5	5
7			
8	R31	18	9
9			
10	O33	28	13
11			
12	Q38	8	13
13	O33	22	13
14			
15			
16	P18	24	13
17			
18	L25	24	23
19			
20	M16	10	23
21			
22	P19	5	13
23			
24	R31	19	9
25	P19	6	13
26	Q39	22	15
27			
28	L25	7	23

JACK PIN LG
63017200 Rev. K

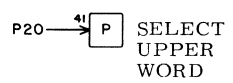
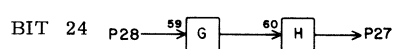
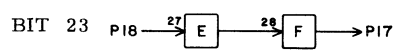
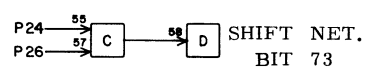
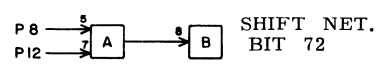
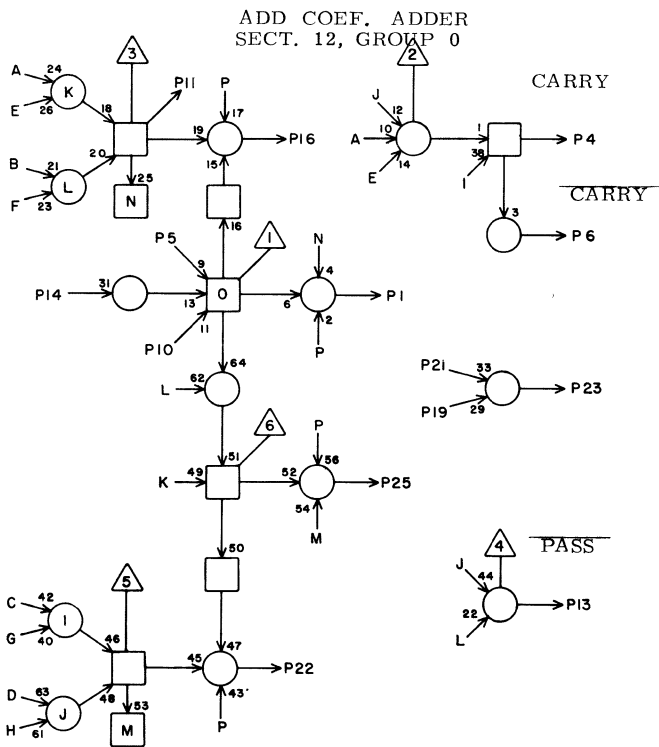
ADD COEFF. ADDER
SECT. 11, GROUP 2



NG 8Q28

1	P19	7	13
2			
3			
4	O33	19	13
5	Q27	6	5
6			
7			
8	R31	20	9
9			
10	O33	23	13
11			
12	Q39	8	13
13	O33	20	13
14	O33	26	13
15			
16	P19	8	13
17			
18	L26	24	23
19			
20	M16	11	23
21			
22	P19	15	13
23			
24	R31	21	9
25	P19	21	13
26	Q40	22	15
27			
28	L26	7	23

JACK PIN LG
63017200 Rev. K

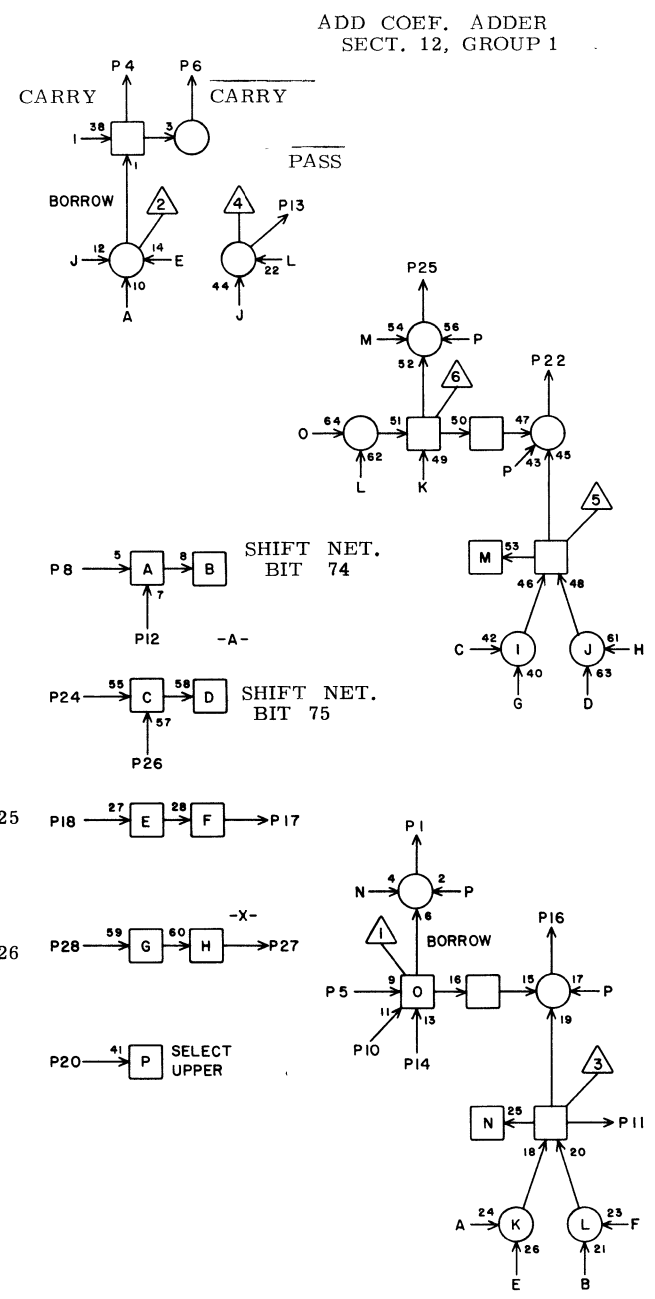


NK 8Q29

1	P19	23	13
2			
3			
4	O34	6	13
5			
6	Q30	5	5
7			
8	R31	22	9
9			
10			
11			
12	Q40	8	13
13	O34	2	13
14	R16	24	17
15			
16	P19	24	13
17			
18	M21	24	21
19	O24	23	13
20	M16	13	23
21	I24	16	35
22	Q17	5	15
23	O32	22	11
24	R31	23	7
25	Q17	6	17
26	Q41	22	15
27			
28	M21	7	21

JACK PIN LG

63017200 Rev. E



8Q30

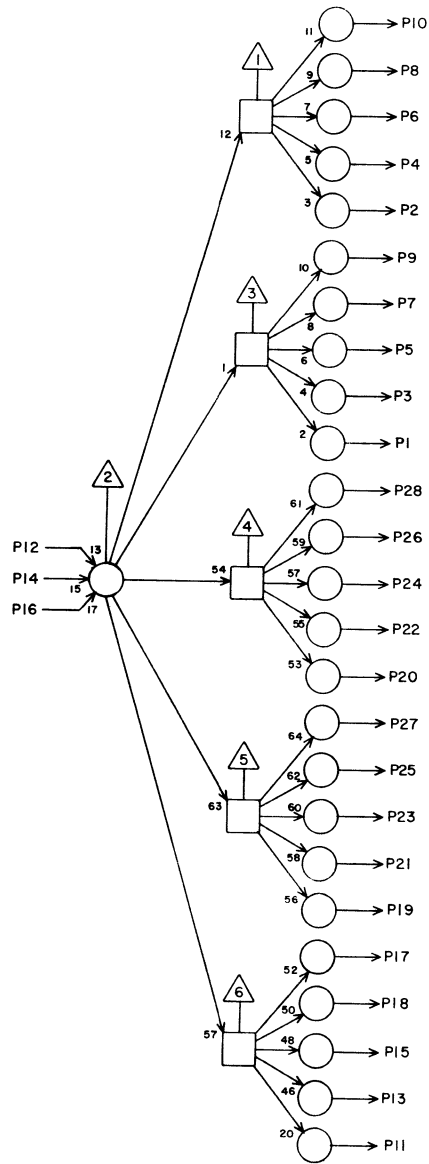
NG 8Q30

1	Q17	7	17
2			
3			
4	O34	8	13
5	Q29	6	5
6	R20	5	13
7			
8	R31	24	9
9			
10	O34	1	13
11			
12	Q41	8	13
13	O34	7	13
14			
15			
16	Q17	8	17
17			
18	M22	24	21
19			
20	M16	15	23
21			
22	Q17	15	17
23			
24	R31	25	7
25	Q17	21	17
26	Q42	22	15
27			
28	M22	7	21

JACK PIN LG

63017200 Rev. E

ADD
SHIFT CONTROL

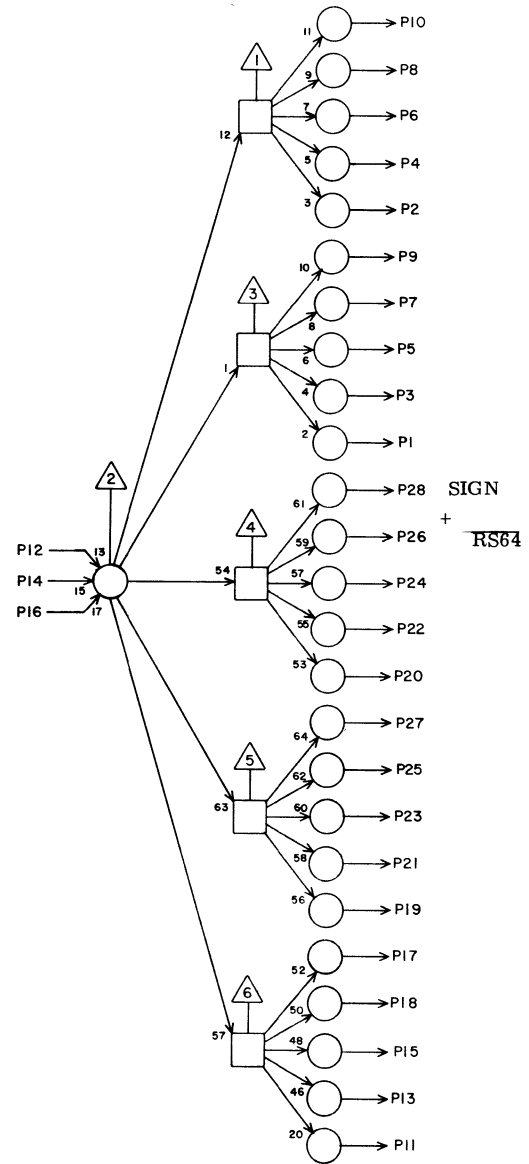


SIGN

CA		8Q31	
JACK	PIN	LG	
1	R35	11	2
2	R35	21	11
3	R36	11	11
4	R36	21	11
5	R37	11	11
6	R37	21	11
7	R38	11	11
8	R38	21	13
9	R39	11	13
10	R39	21	13
11	R40	11	13
12	K39	25	27
13	R40	21	13
14	Q31	X	2
15	R41	11	13
16	Q31	X	2
17	R41	21	13
18	R42	11	15
19	R42	21	15
20	P41	21	13
21			
22			
23			
24			
25			
26			
27			
28	M29	8	19

63017200 Rev. E

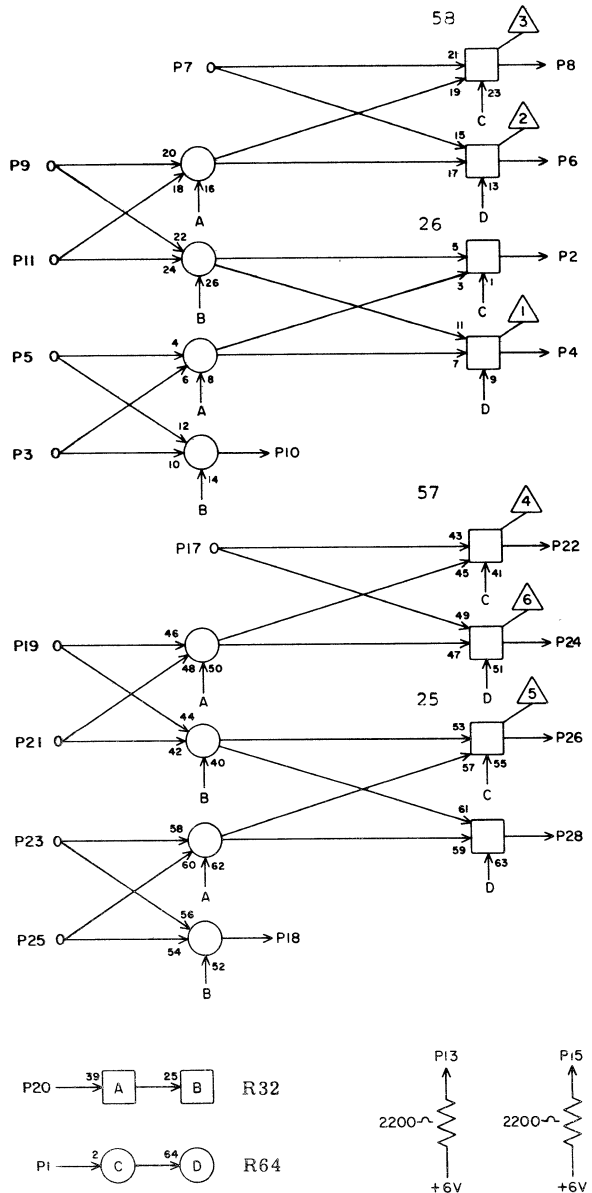
ADD
SHIFT CONTROL



CA		8Q32	
JACK	PIN	LG	
1	P21	3	15
2	P21	24	13
3	P22	3	13
4	P22	24	13
5	P23	3	13
6	P23	24	13
7	P24	3	13
8	P24	24	11
9	P25	3	11
10	P25	24	11
11	P26	3	11
12	K39	24	27
13	P26	24	11
14	Q32	X	2
15	P27	3	11
16	Q32	X	2
17	P27	24	9
18	P28	10	9
19	P28	27	9
20	P29	3	9
21	P29	24	7
22	P30	3	9
23	P30	24	7
24			
25			
26			
27			
28			

63017200 Rev. E

ADD SHIFT



NF

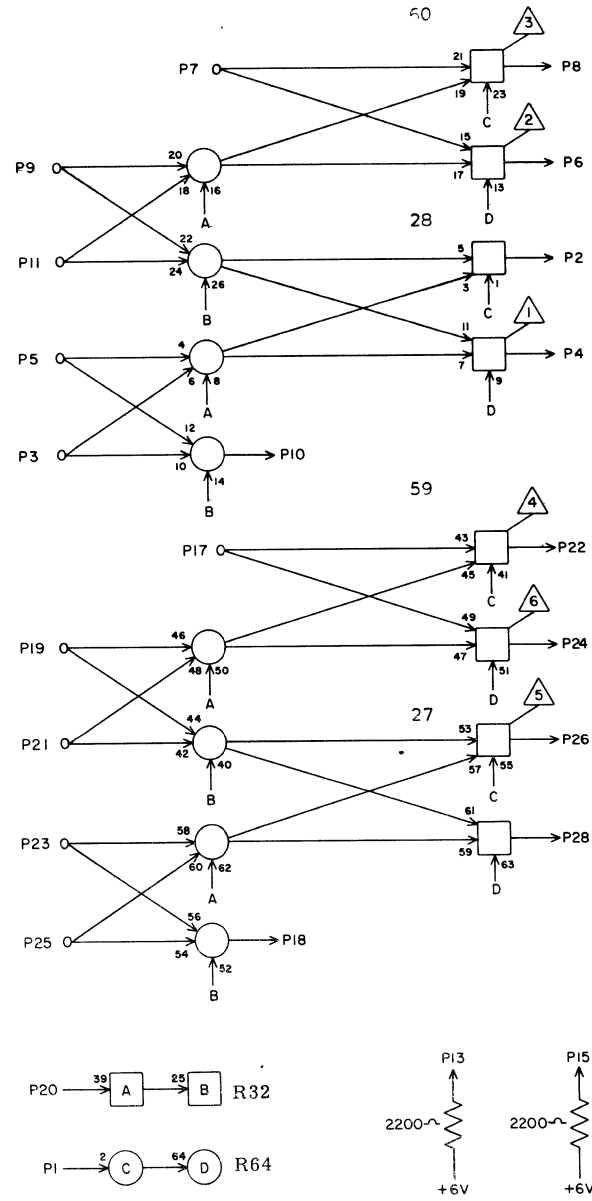
8Q33

1	P40	5	11
2	O29	12	13
3	P37	11	9
4			
5	M41	8	19
6			
7	R39	10	11
8	Q22	12	13
9	N42	2	17
10			
11	M41	22	19
12			
13	L42	20	25
14			
15			
16			
17	R39	18	11
18			
19	O36	2	13
20	P38	5	11
21	M42	22	21
22	Q21	26	15
23	M42	8	21
24			
25	P37	12	11
26	O27	26	13
27			
28			

JACK PIN LG

63017200 Rev. AE

ADD SHIFT



NF

8Q34

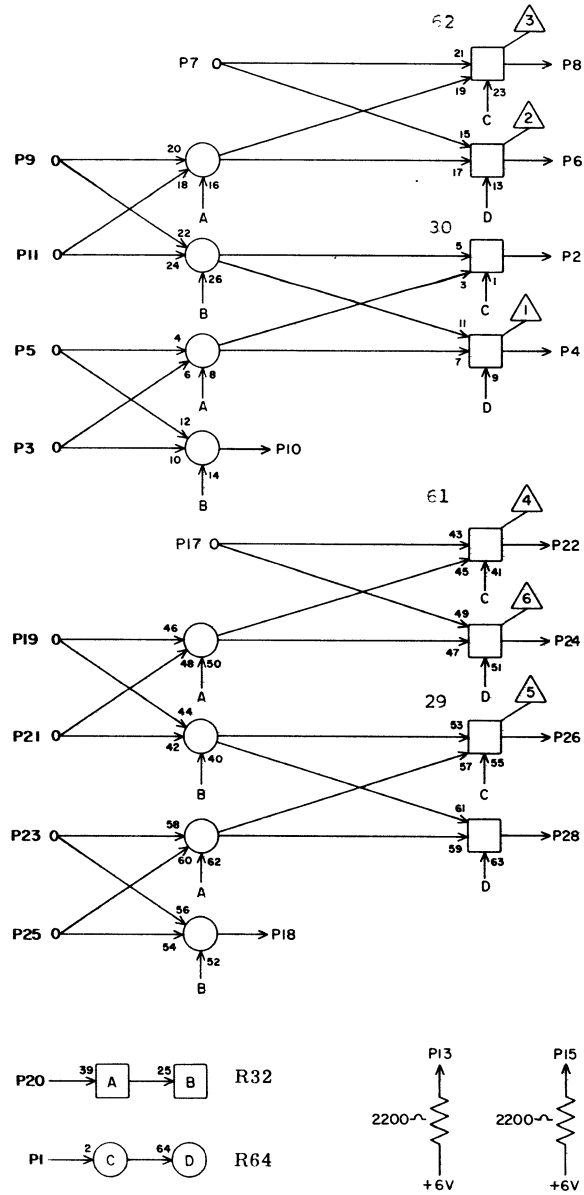
1	F40	6	9
2	O29	12	13
3	P37	13	9
4			
5	N36	8	15
6			
7	R40	10	11
8	Q23	12	13
9	O37	2	13
10			
11	N36	22	15
12			
13			
14			
15			
16			
17	R40	19	11
18			
19	O38	2	13
20	P38	6	11
21	N37	22	15
22	Q22	26	15
23	N37	8	17
24			
25	P37	15	11
26	O29	26	13
27			
28			

JACK PIN LG

63017200 Rev. g

8Q34

ADD SHIFT

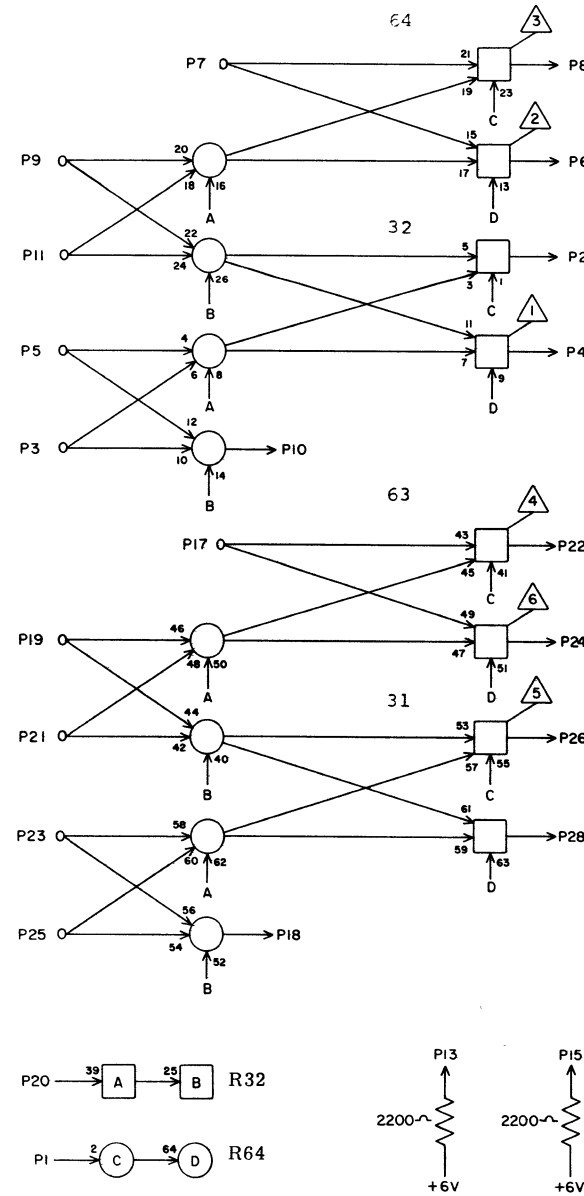


NF 835

JACK	PIN	LG
1	P40	7 2
2	O30	12 13
3	P37	17 7
4		
5	N38	8 15
6		
7	R41	10 11
8	Q24	12 13
9	O39	2 13
10		
11	N38	22 15
12		
13		
14		
15		
16		
17	R41	18 11
18		
19	O40	2 13
20	P38	7 9
21	N39	22 15
22	Q23	26 15
23	N39	8 17
24		
25	P37	26 9
26	O29	26 13
27		
28		

63017200 Rev. F

ADD SHIFT

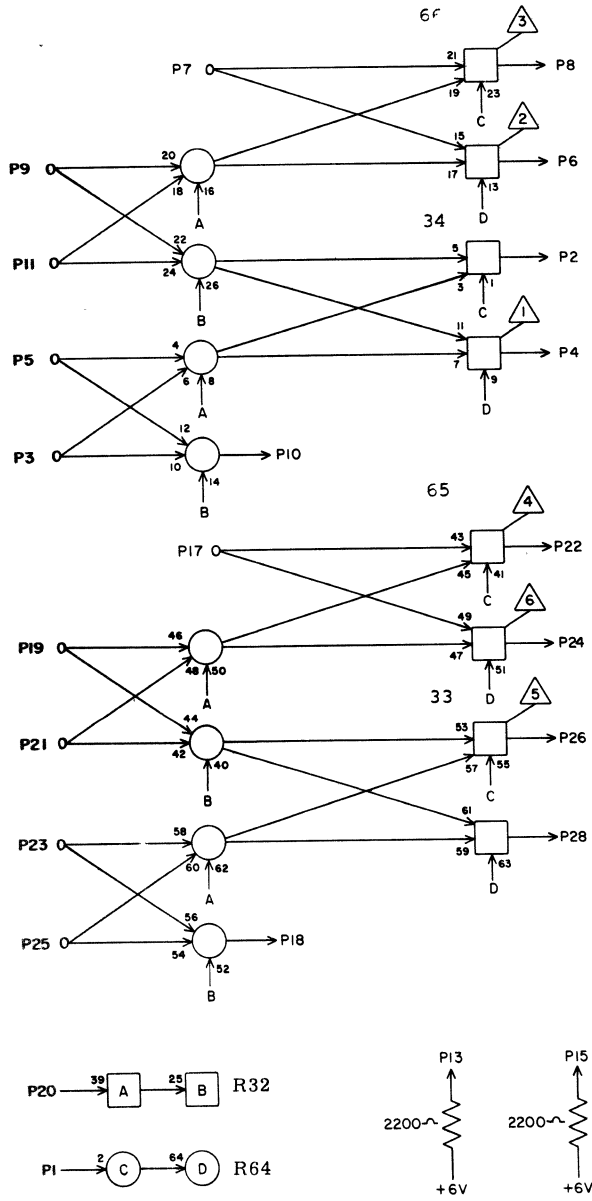


NF 835c

JACK	PIN	LG
1	P4C	8 2
2	P20	12 17
3	P39	1 9
4		
5	N40	8 15
6		
7	R42	10 11
8	Q25	12 13
9	O41	2 13
10	R35	17 7
11	N40	22 15
12		
13		
14		
15		
16		
17	R42	18 11
18		
19	O42	2 15
20	P38	8 9
21	N41	22 15
22	Q24	26 15
23	N41	8 17
24		
25	P39	2 11
26	O30	26 13
27		
28		

63017200 Rev. E

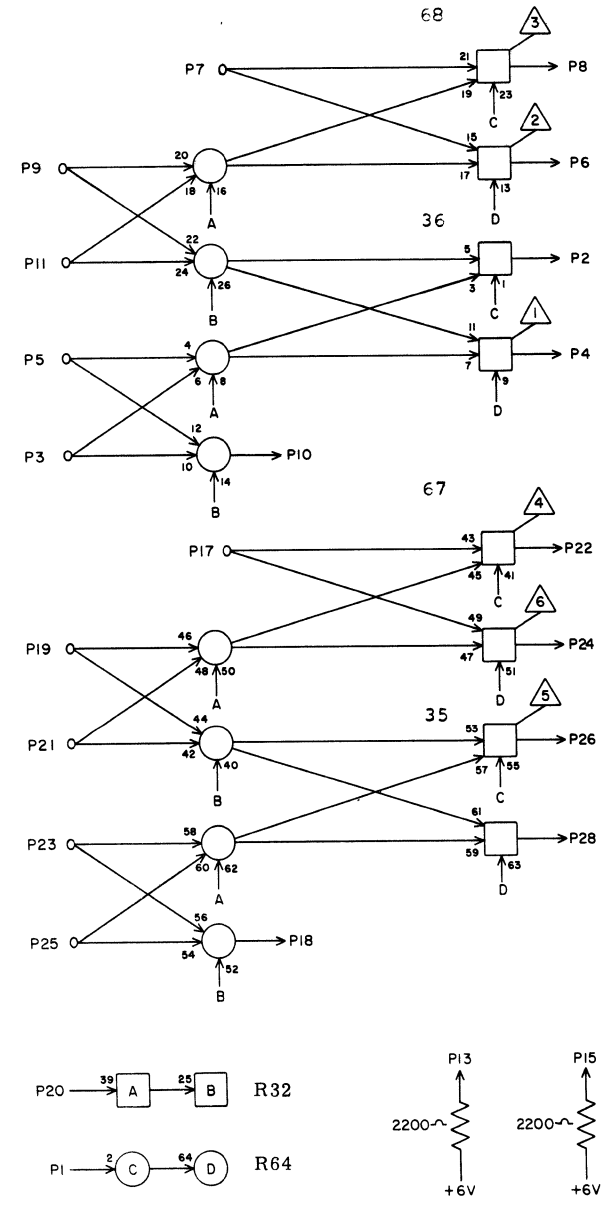
ADD SHIFT



NF 8Q37

JACK	PIN	LG
1	P40	9 7
2	P21	12 17
3	M41	6 19
4		
5	M41	18 17
6	M30	8 19
7	P31	1 11
8	Q26	12 13
9	N42	8 15
10	R36	17 9
11	M41	26 17
12		
13		
14		
15		
16		
17	P31	2 11
18	R35	7 7
19	O36	8 13
20	P38	9 9
21	M42	26 19
22	Q25	26 15
23	M42	18 19
24	M29	24 19
25	M42	6 21
26	P20	26 19
27		
28		

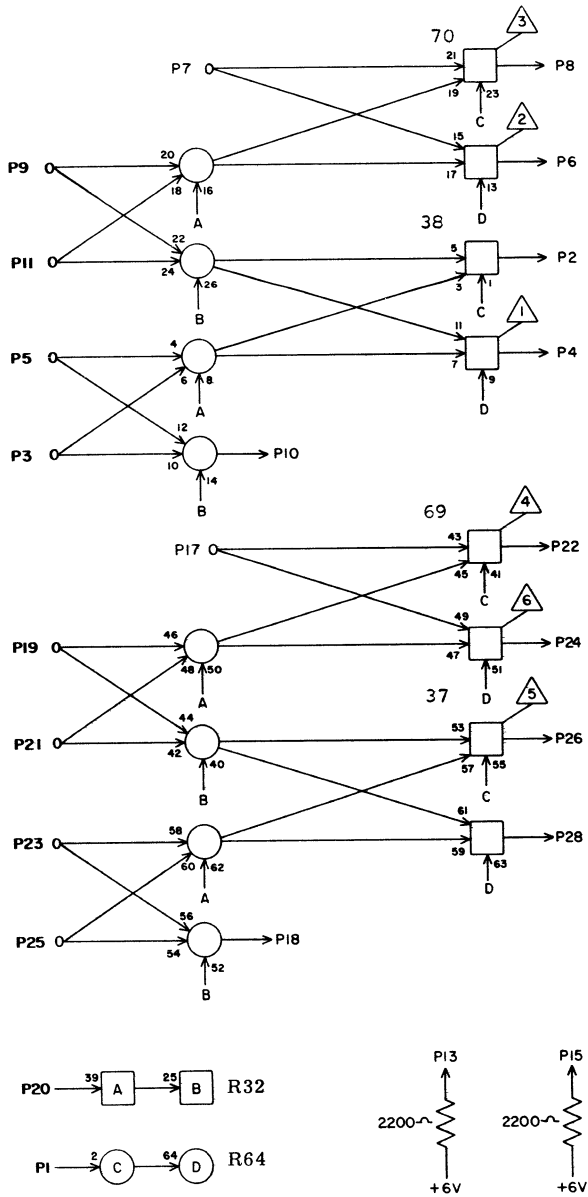
ADD SHIFT



NF 8Q38

JACK	PIN	LG
1	P40	10 7
2	P27	17 19
3	N36	6 15
4		
5	N36	18 15
6	N28	8 17
7	P31	3 11
8	Q27	12 13
9	O27	8 13
10	R37	17 9
11	N36	26 15
12		
13		
14		
15		
16		
17	P31	4 13
18	R36	7 7
19	O38	8 13
20	P38	10 9
21	N37	26 15
22	Q26	26 15
23	N37	18 15
24	M30	24 19
25	N37	6 17
26	P21	26 17
27		
28		

ADD SHIFT

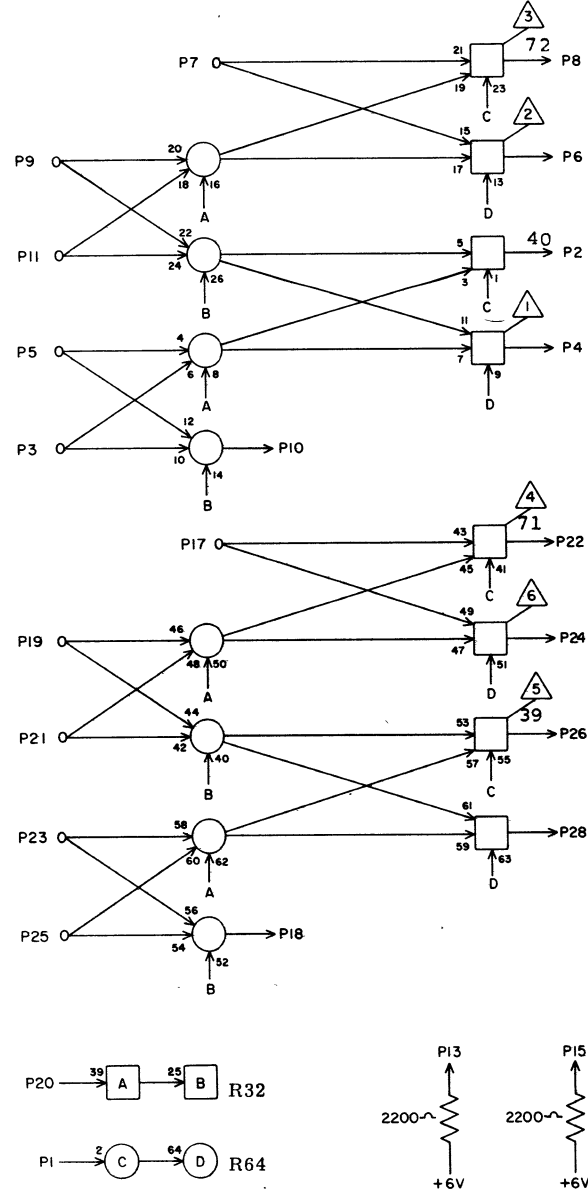


NF 8Q33

	JACK	PIN	LG
1	P40	11	7
2	P23	12	19
3	N38	6	15
4			
5	N38	18	15
6	N29	8	17
7	P31	5	13
8	Q28	12	13
9	O39	8	11
10	R38	17	9
11	N38	26	15
12			
13			
14			
15			
16			
17	P31	6	13
18	R37	7	7
19	O40	8	13
20	P38	11	9
21	N39	26	15
22	Q27	26	15
23	N39	18	15
24	N28	24	19
25	N39	6	17
26	P22	26	19
27			
28			

63017200 Rev. 1

ADD SHIFT



NF 8Q 40

	JACK	PIN	LG
1	P40	13	7
2	P24	12	9
3	N40	6	15
4			
5	N40	18	15
6	N30	8	17
7	P31	7	13
8	Q29	12	13
9	O41	8	11
10	R39	17	9
11	N40	26	15
12			
13			
14			
15			
16			
17	P31	8	13
18	R38	7	7
19	O42	8	13
20	P38	13	9
21	N41	26	15
22	Q28	26	15
23	N41	18	15
24	N29	24	19
25	N41	6	17
26	P23	26	19
27			
28			

63017200 Rev. 1B

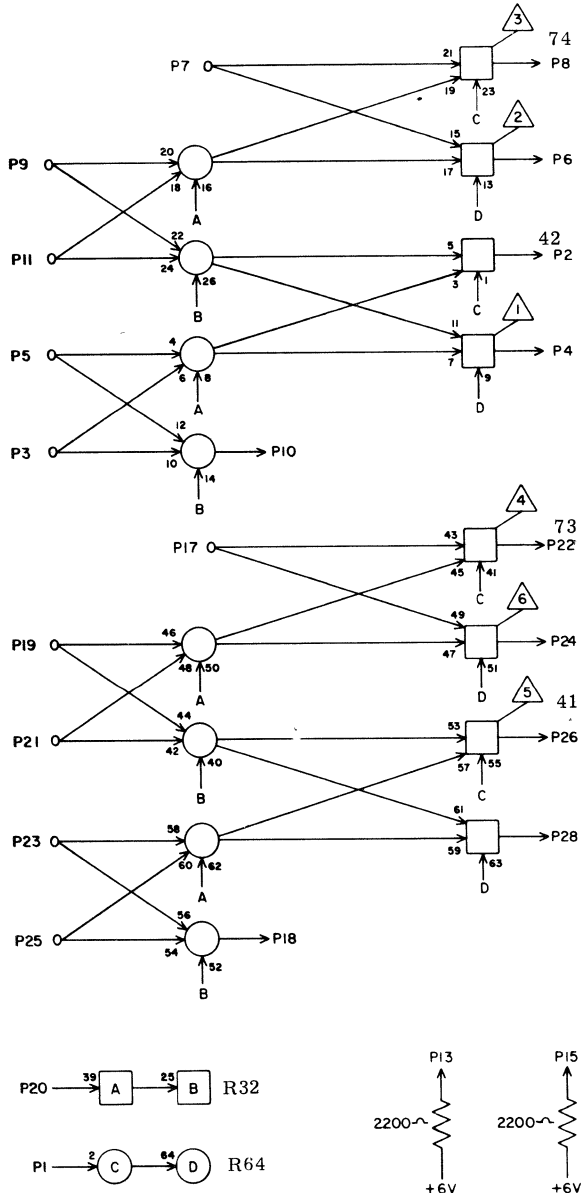
LS 63056800
ASSY

B
REV

ADD SHIFT

NF

8Q 41



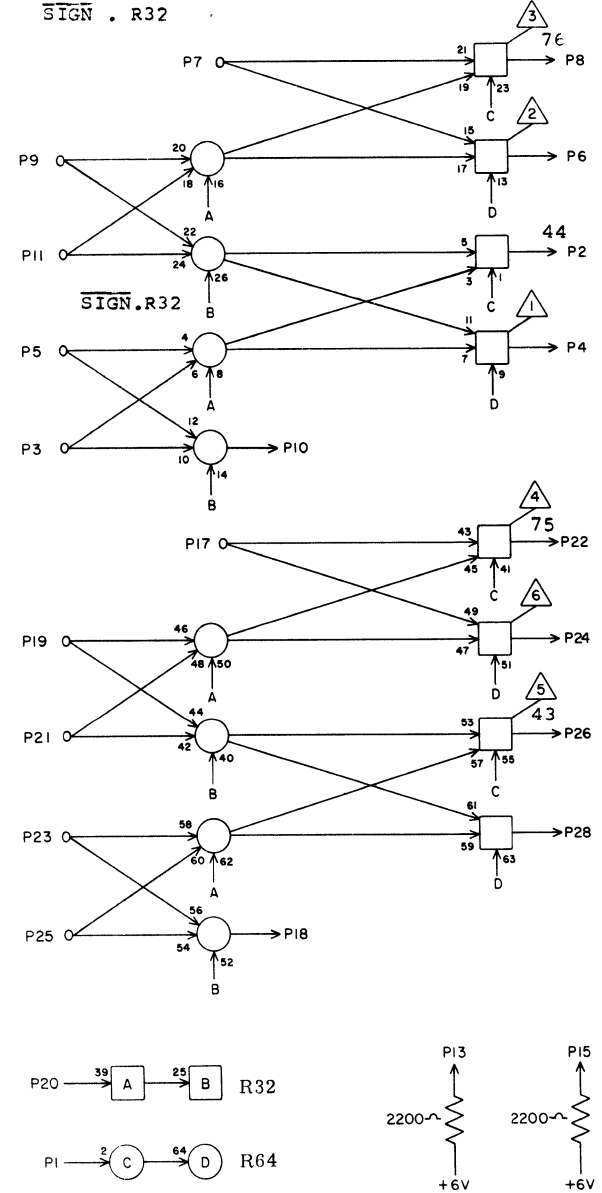
1	P40	15	7
2	P25	12	19
3	M41	10	19
4			
5	M41	20	17
6	O20	8	23
7	P31	9	13
8	Q30	12	13
9	N42	18	15
10	R40	17	9
11	N42	6	15
12			
13			
14			
15			
16			
17	P31	10	15
18	R39	7	7
19	O36	18	13
20	P38	15	9
21	O36	6	15
22	Q29	26	15
23	M42	20	19
24	N30	24	19
25	M42	10	19
26	P24	26	19
27			
28			

JACK PIN LG
CIRCUIT SPECIFICATION 11827600

63017200 Rev. E

ADD SHIFT

NF 8Q 42



1	P40	17	7
2	P26	12	19
3	N36	10	17
4			
5	N36	20	15
6	O21	8	23
7	P31	11	15
8	R20	12	23
9	O37	18	13
10	R41	17	9
11	O37	6	13
12			
13			
14			
15			
16			
17	P31	13	15
18	R40	7	7
19	O38	18	13
20	P38	17	9
21	O38	6	13
22	Q30	26	15
23	N37	20	17
24	O20	24	25
25	N37	10	17
26	P25	26	19
27			
28			

JACK PIN LG

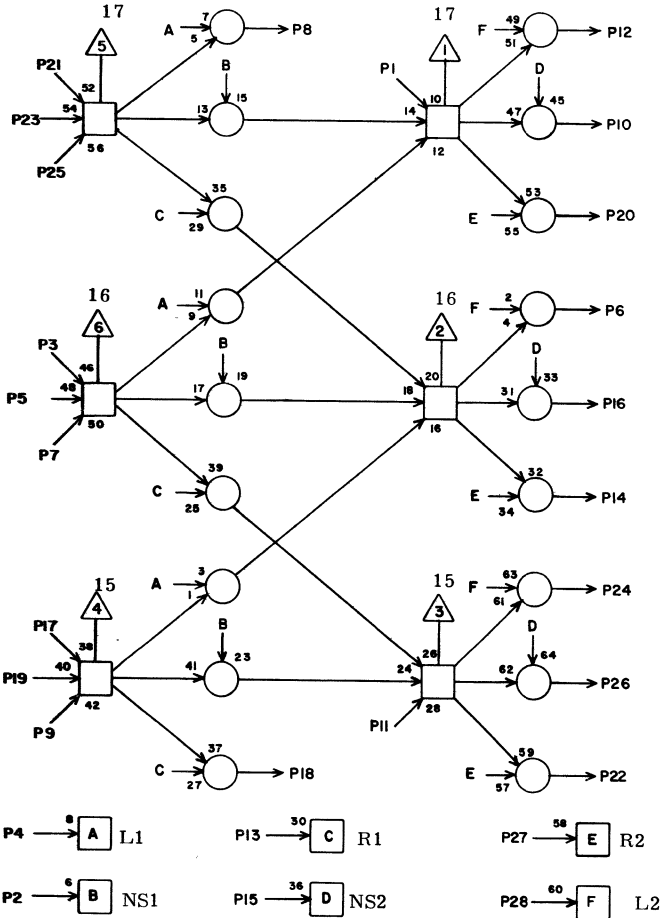
63017200 Rev. E

8Q42

SHIFT NETWORK

QF

8R 01



1	R02	13	5
2	N11	6	21
3	R01	X	2
4	N10	6	21
5	J16	8	35
6	Q02	7	7
7	R01	X	2
8	R02	11	5
9	R01	X	2
10	P12	5	17
11	Q15	8	17
12	Q07	7	11
13	N12	6	21
14	Q02	17	7
15	N14	6	23
16	P07	5	15
17	R01	X	2
18	Q15	1	17
19	J15	21	35
20	Q07	17	11
21	R01	X	2
22	P12	17	17
23	J16	1	37
24	P12	7	17
25	R01	X	2
26	Q07	19	11
27	N15	6	25
28	N13	6	23

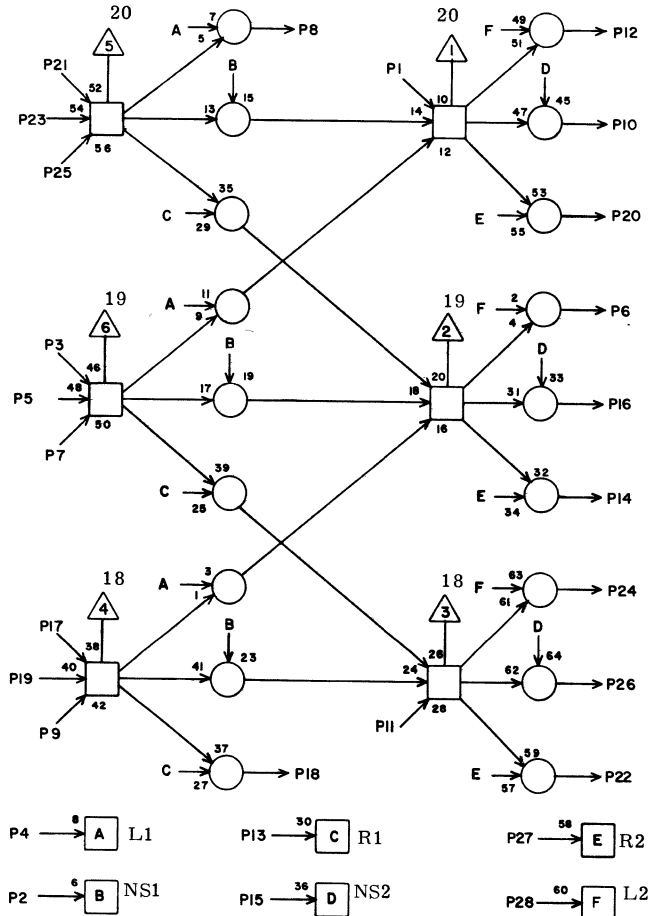
JACK PIN LG

63017200 Rev. E

SHIFT NETWORK

QF

8R 02



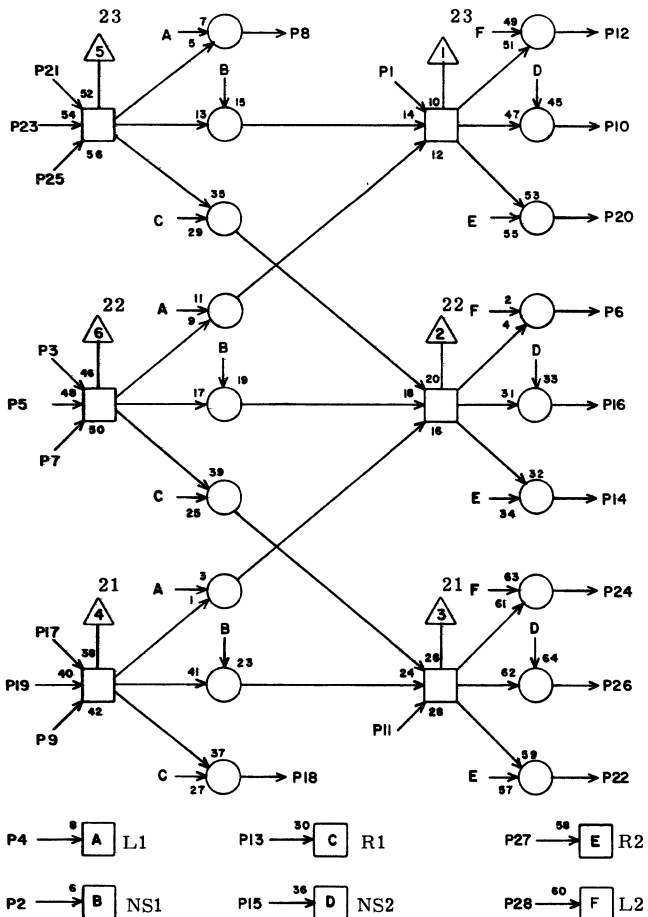
1	R03	13	5
2	N11	7	21
3	R02	X	2
4	N10	7	19
5	J16	21	35
6	P12	25	15
7	R02	X	2
8	R03	11	5
9	R02	X	2
10	P07	23	13
11	R01	8	5
12	Q02	25	7
13	N12	7	21
14	P12	3	17
15	N14	7	23
16	Q07	5	11
17	R02	X	2
18	R01	1	5
19	J16	28	35
20	Q02	3	9
21	R02	X	2
22	P07	3	15
23	K12	8	31
24	P07	25	13
25	R02	X	2
26	Q02	5	9
27	N15	7	23
28	N13	7	23

JACK PIN LG

63017200 Rev. E

8R02

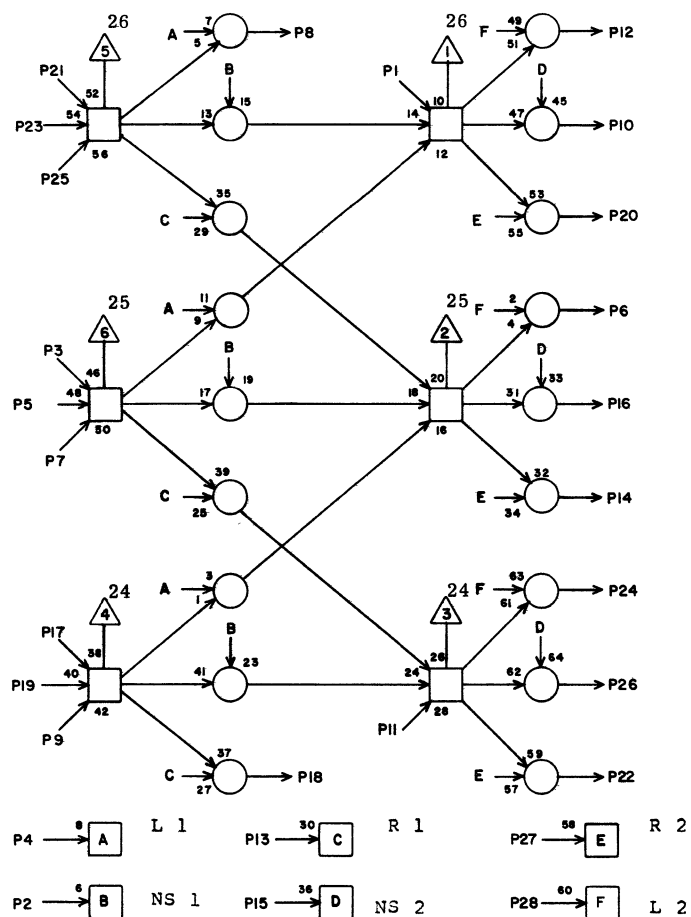
SHIFT NETWORK



QF		8R 03	
1	R04	18	5
2	N11	8	19
3	R03	X	2
4	N10	8	19
5	K12	28	29
6	P08	9	13
7	R03	X	2
8	R04	11	5
9	R03	X	2
10	Q07	23	9
11	R02	8	5
12	P13	9	15
13	N12	8	21
14	P07	21	13
15	N14	8	21
16	Q02	23	7
17	R03	X	2
18	R02	1	5
19	K12	1	31
20	P12	21	15
21	R03	X	2
22	Q07	3	11
23	K12	21	31
24	Q07	25	9
25	R03	X	2
26	P12	23	15
27	N15	8	23
28	N13	8	23

JACK PIN LG

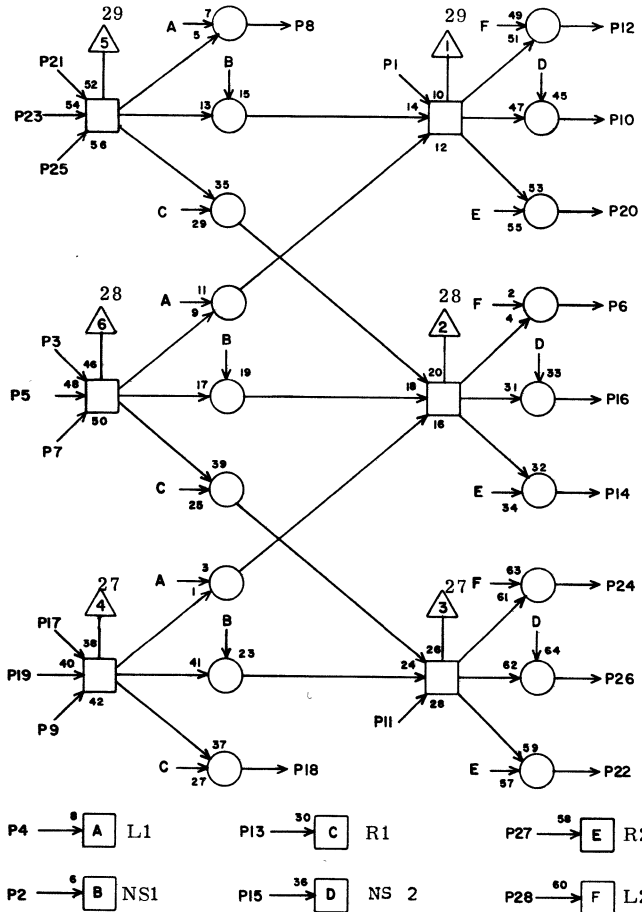
SHIFT NETWORK



QF		8R 04	
1	R05	18	5
2	N11	9	19
3	R04	X	2
4	N10	9	19
5	K13	1	31
6	Q08	9	9
7	R04	X	2
8	R05	11	5
9	R04	X	2
10	Q03	19	7
11	R03	8	5
12	P08	7	13
13	N12	9	21
14	Q07	21	9
15	N14	9	21
16	P13	19	15
17	R04	X	2
18	R03	1	5
19	K13	8	31
20	P08	17	13
21	R04	X	2
22	Q02	21	7
23	K13	28	29
24	Q03	9	9
25	R04	X	2
26	P08	19	13
27	N15	9	23
28	N13	9	23

JACK PIN LG

SHIFT NETWORK



QF

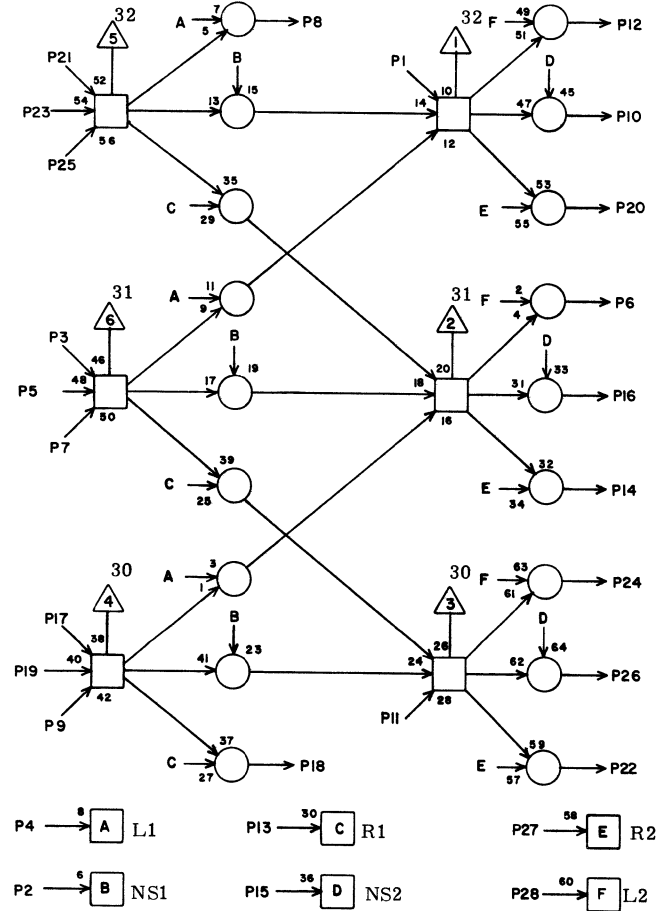
8R 05

1	R 06	18	5
2	N11	10	19
3	R05	X	2
4	N10	10	19
5	K14	8	31
6	Q03	7	7
7	R05	X	2
8	R06	11	5
9	R05	X	2
10	P13	5	15
11	R04	8	5
12	Q08	7	9
13	N12	10	21
14	Q03	17	7
15	N14	10	21
16	P08	5	13
17	R05	X	2
18	R04	1	5
19	K13	21	29
20	Q08	17	9
21	R05	X	2
22	P13	17	15
23	K14	1	31
24	P13	7	15
25	R05	X	2
26	Q08	19	9
27	N15	10	23
28	N13	10	21

JACK PIN LG

63017200 Rev. E

SHIFT NETWORK



QF

8R 06

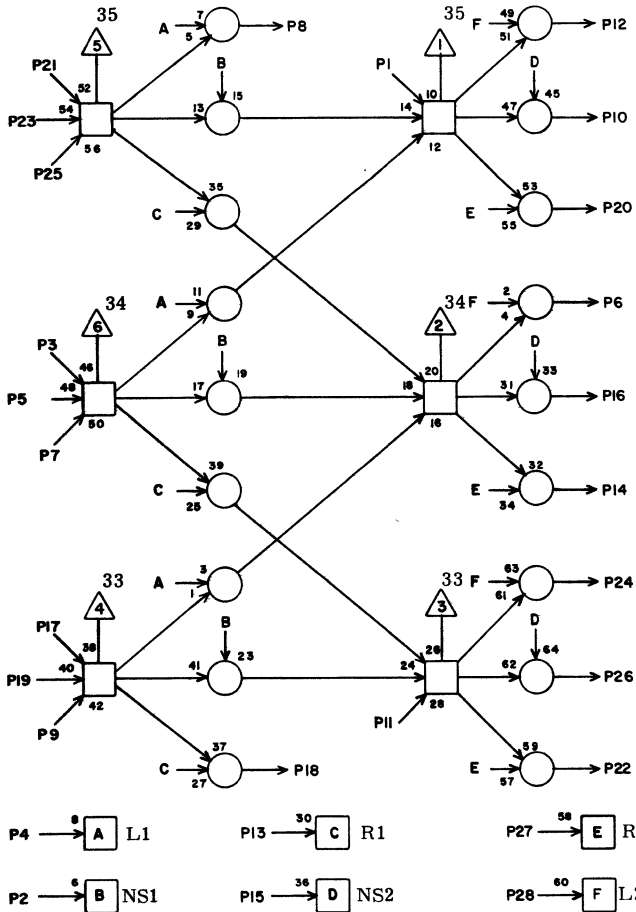
1	R07	18	5
2	N11	11	19
3	R06	X	2
4	N10	11	19
5	K14	21	29
6	P13	25	13
7	R06	X	2
8	R07	11	5
9	R06	X	2
10	P08	23	11
11	R05	8	5
12	Q03	25	7
13	N12	11	19
14	P13	3	15
15	N14	11	21
16	Q08	5	9
17	R06	X	2
18	R05	1	5
19	K14	28	29
20	Q03	3	9
21	R06	X	2
22	P08	3	13
23	K15	8	31
24	P08	25	13
25	R06	X	2
26	Q03	5	9
27	N15	11	21
28	N13	11	21

JACK PIN LG

63017200 Rev. E

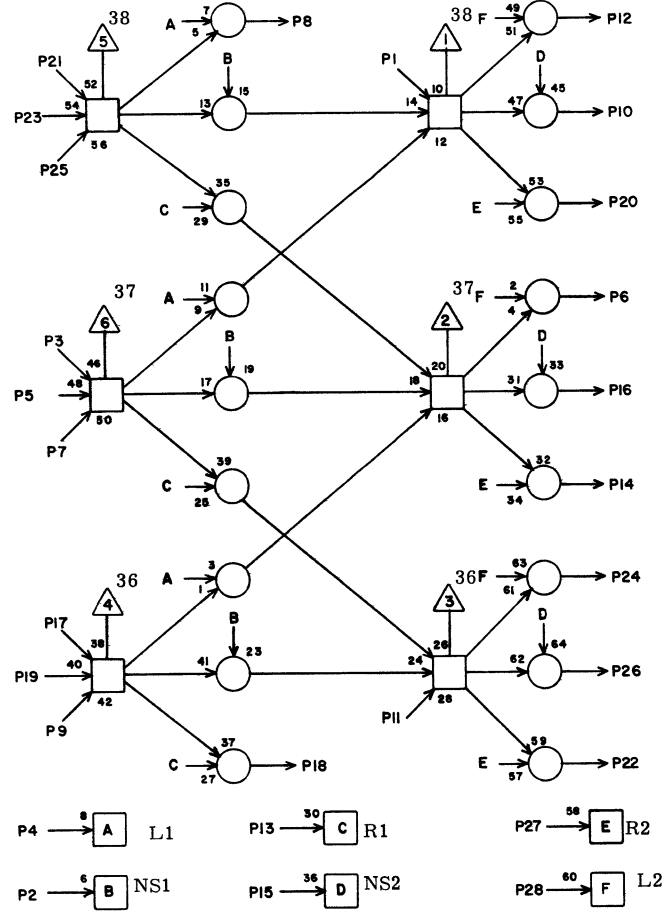
8R06

SHIFT NETWORK



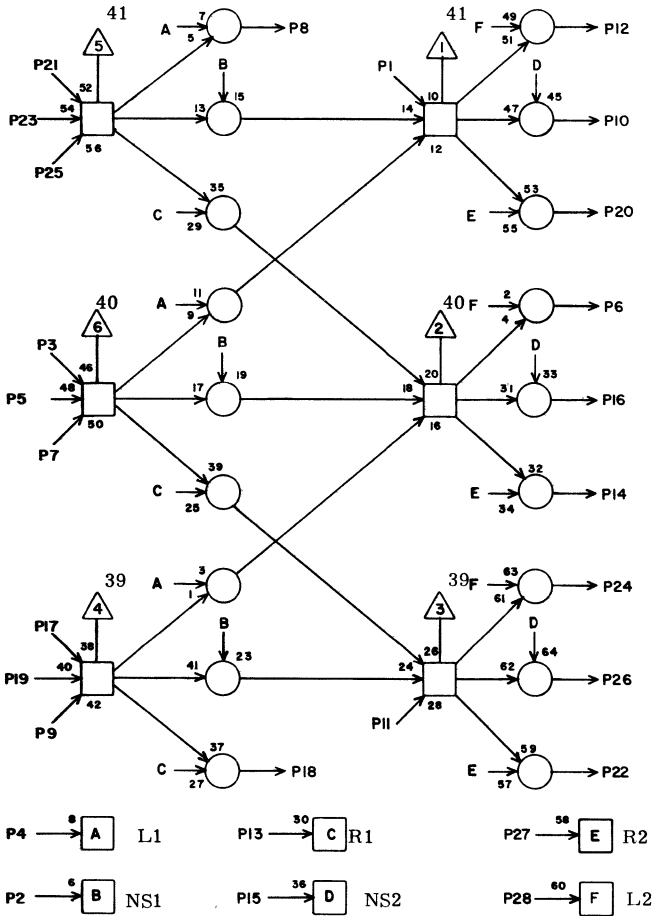
QF		8R 07	
JACK	PIN	LG	
1	R 8	18	5
2	N11	13	19
3	R07	X	2
4	N10	13	19
5	K15	28	29
6	P09	9	13
7	R07	X	2
8	R08	11	5
9	R07	X	2
10	Q08	23	7
11	R06	8	5
12	P14	9	15
13	N12	13	19
14	P08	21	11
15	N14	13	19
16	Q03	23	7
17	R07	X	2
18	R06	1	5
19	K15	1	31
20	P13	21	13
21	R07	X	2
22	Q08	3	9
23	K15	21	31
24	Q08	25	7
25	R07	X	2
26	P13	23	13
27	N15	13	21
28	N13	13	21

SHIFT NETWORK



QF		8R 08	
JACK	PIN	LG	
1	R09	18	5
2	N11	15	19
3	R08	X	2
4	N10	15	19
5	K16	1	31
6	Q09	9	7
7	R08	X	2
8	R09	11	5
9	R08	X	2
10	Q04	19	7
11	R07	8	5
12	P09	7	13
13	N12	15	19
14	Q08	21	7
15	N14	15	19
16	P14	19	13
17	R08	X	2
18	R07	1	5
19	K16	8	31
20	P09	17	13
21	R08	X	2
22	Q03	21	9
23	K16	28	31
24	Q04	9	9
25	R08	X	2
26	P09	19	13
27	N15	15	21
28	N13	15	21

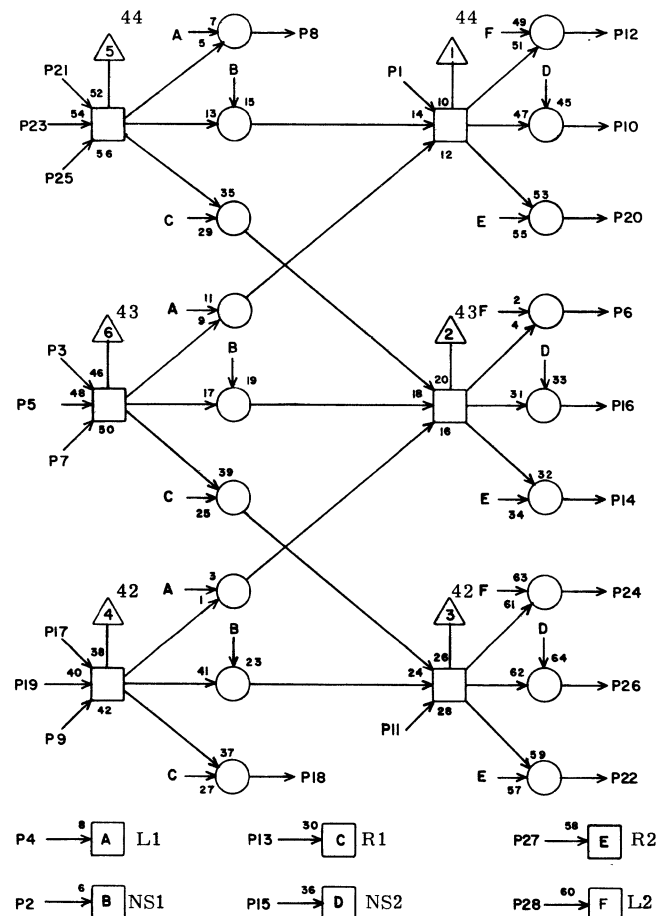
SHIFT NETWORK



QF 8R09

	JACK	PIN	LG
1	R10	18	5
2	N11	17	17
3	R09	X	2
4	N10	17	19
5	L12	8	25
6	Q04	7	9
7	R09	X	2
8	R10	11	5
9	R09	X	2
10	P14	5	13
11	R08	8	5
12	Q09	7	7
13	N12	17	19
14	Q04	17	9
15	N14	17	19
16	P09	5	13
17	R09	X	2
18	R08	1	5
19	K16	21	31
20	Q09	17	7
21	R09	X	2
22	P14	17	13
23	L12	1	27
24	P14	7	15
25	R09	X	2
26	Q09	19	7
27	N15	17	21
28	N13	17	19

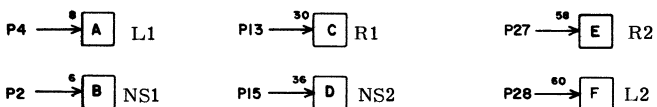
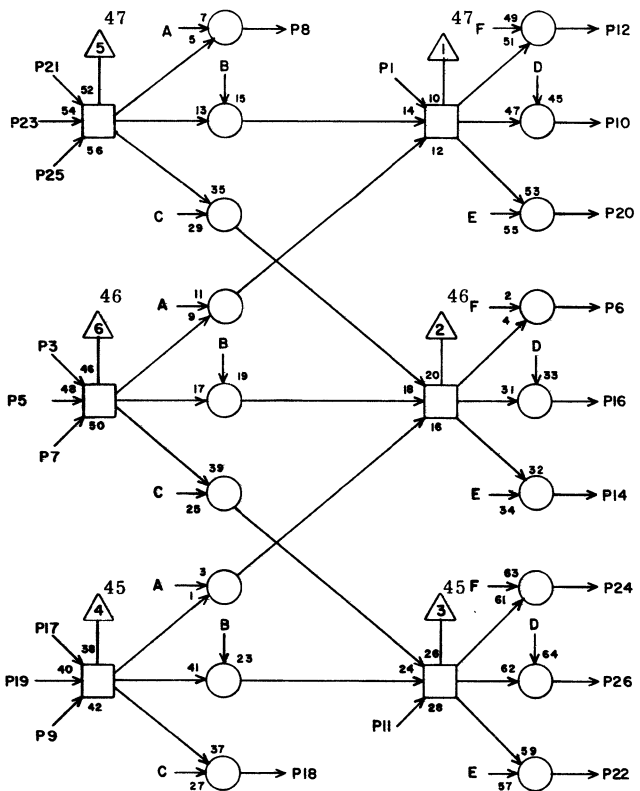
SHIFT NETWORK



QF 8R10

	JACK	PIN	LG
1	R11	18	5
2	N11	18	17
3	R10	X	2
4	N10	18	19
5	L12	21	25
6	P14	25	11
7	R10	X	2
8	R11	11	5
9	R10	X	2
10	P09	23	11
11	R09	8	5
12	Q04	25	9
13	N12	18	19
14	P14	3	13
15	N14	18	19
16	Q09	5	9
17	R10	X	2
18	R09	1	5
19	L12	28	25
20	Q04	3	11
21	R10	X	2
22	P09	3	13
23	L13	8	27
24	P09	25	11
25	R10	X	2
26	Q04	5	11
27	N15	18	19
28	N13	18	19

SHIFT NETWORK



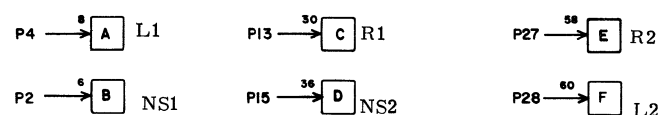
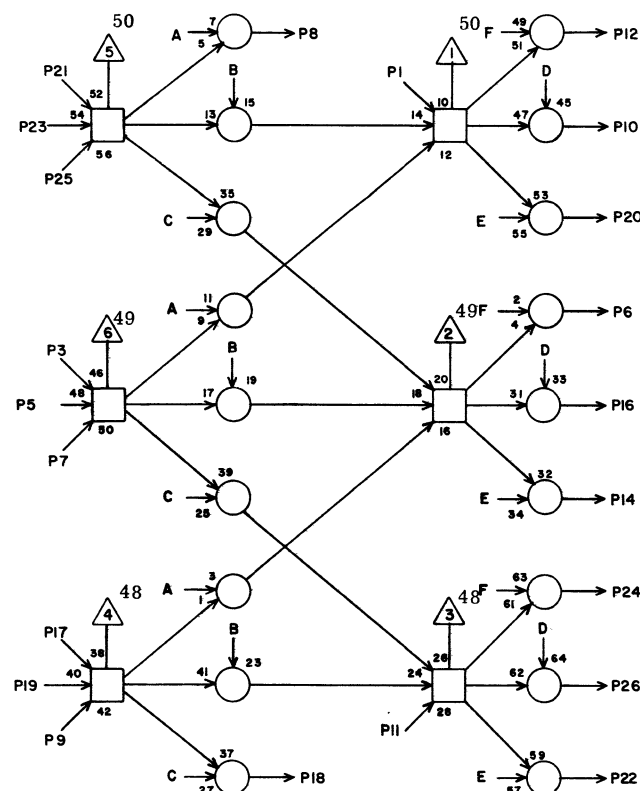
QF 8R 11

1	R12	19	5
2	N11	19	17
3	R11	X	2
4	N10	19	19
5	L13	28	25
6	P10	9	11
7	R11	X	2
8	R12	11	5
9	R11	X	2
10	Q09	23	7
11	R10	8	5
12	P15	9	13
13	N12	19	19
14	P09	21	13
15	N14	19	19
16	Q04	23	11
17	R11	X	2
18	R10	1	5
19	L13	1	27
20	P14	21	13
21	R11	X	2
22	Q09	3	9
23	L13	21	27
24	Q09	25	7
25	R11	X	2
26	P14	23	13
27	N15	19	19
28	N13	19	19

JACK PIN LG

63017200 Rev. I.

SHIFT NETWORK



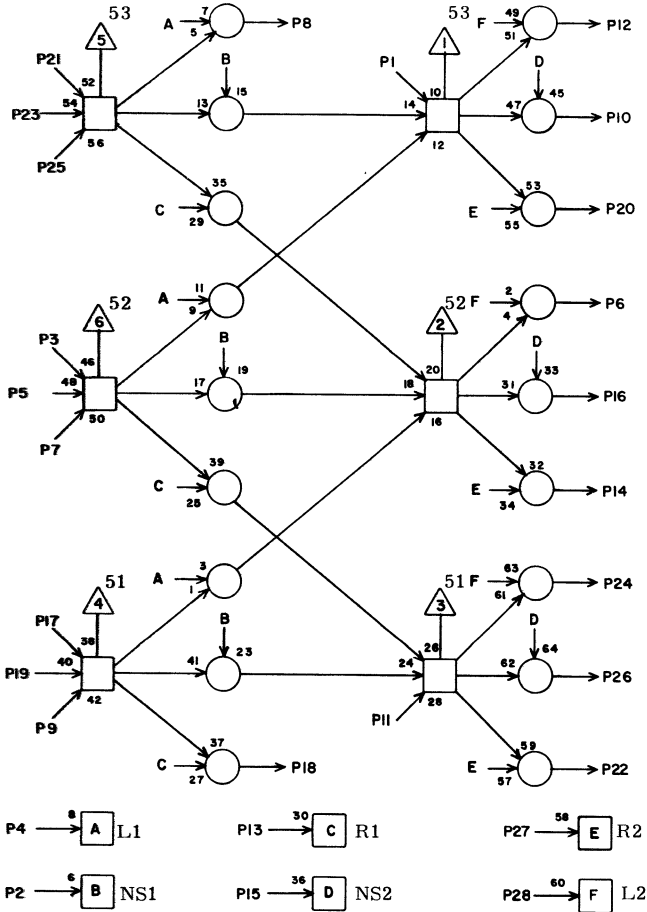
QF 8R 12

1	R13	18	5
2	N11	20	17
3	R12	X	2
4	N10	20	19
5	L14	5	27
6	Q10	9	7
7	R12	X	2
8	R13	11	5
9	R12	X	2
10	Q05	19	11
11	R11	8	5
12	P10	7	13
13	N12	20	19
14	Q09	21	7
15	N14	20	19
16	P15	19	13
17	R12	X	2
18	R11	1	5
19	L14	8	27
20	P10	17	13
21	R12	X	2
22	Q04	21	11
23	L14	24	25
24	Q05	9	13
25	R12	X	2
26	P10	19	13
27	N15	20	19
28	N13	20	19

JACK PIN LG

63017200 Rev. E

SHIFT NETWORK

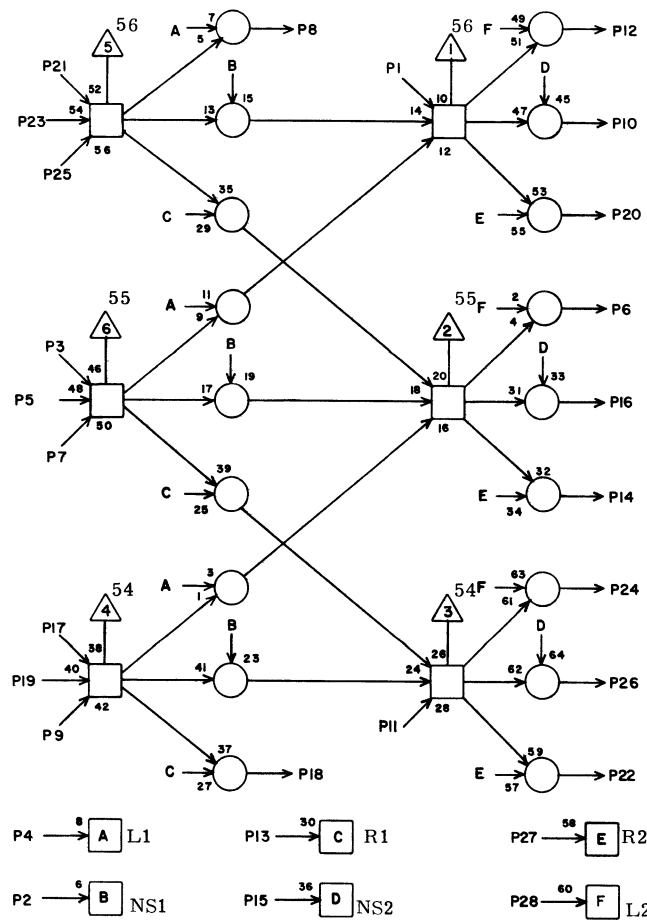


QF 8R 13

1	R14	19	5
2	N11	21	17
3	R13	X	2
4	N10	21	19
5	L15	8	25
6	Q05	7	11
7	R13	X	2
8	R14	11	5
9	R13	X	2
10	P15	5	13
11	R12	8	5
12	Q10	7	9
13	N12	21	19
14	Q05	17	11
15	N14	21	19
16	P10	5	13
17	R13	X	2
18	R12	1	5
19	L14	21	25
20	Q10	17	9
21	R13	X	2
22	P15	17	13
23	L15	5	27
24	P15	7	13
25	R13	X	2
26	Q10	19	9
27	N15	21	19
28	N13	21	19

JACK PIN LG

SHIFT NETWORK

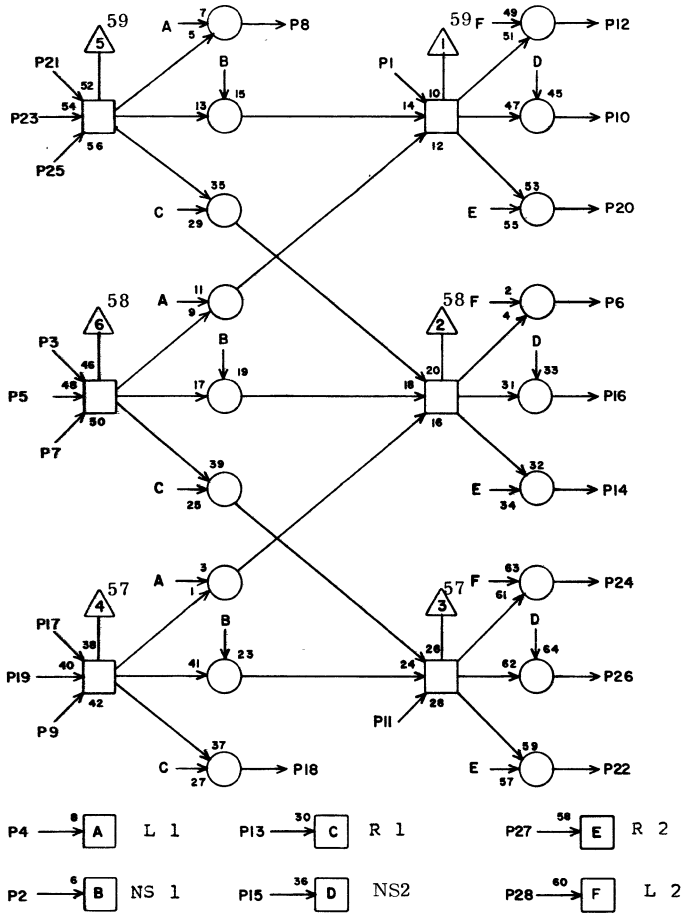


QF 8R 14

1	R15	18	5
2	N11	22	17
3	R14	X	2
4	N10	22	19
5	L15	21	25
6	P15	25	9
7	R14	X	2
8	R15	11	5
9	R14	X	2
10	P10	23	11
11	R13	8	5
12	Q05	25	13
13	N12	22	19
14	P15	3	13
15	N14	22	19
16	Q10	5	9
17	R14	X	2
18	R13	1	5
19	L15	24	25
20	Q05	3	13
21	R14	X	3
22	P10	3	13
23	L16	8	27
24	P10	25	13
25	R14	X	2
26	Q05	5	13
27	N15	22	19
28	N13	22	19

JACK PIN LG

SHIFT NETWORK



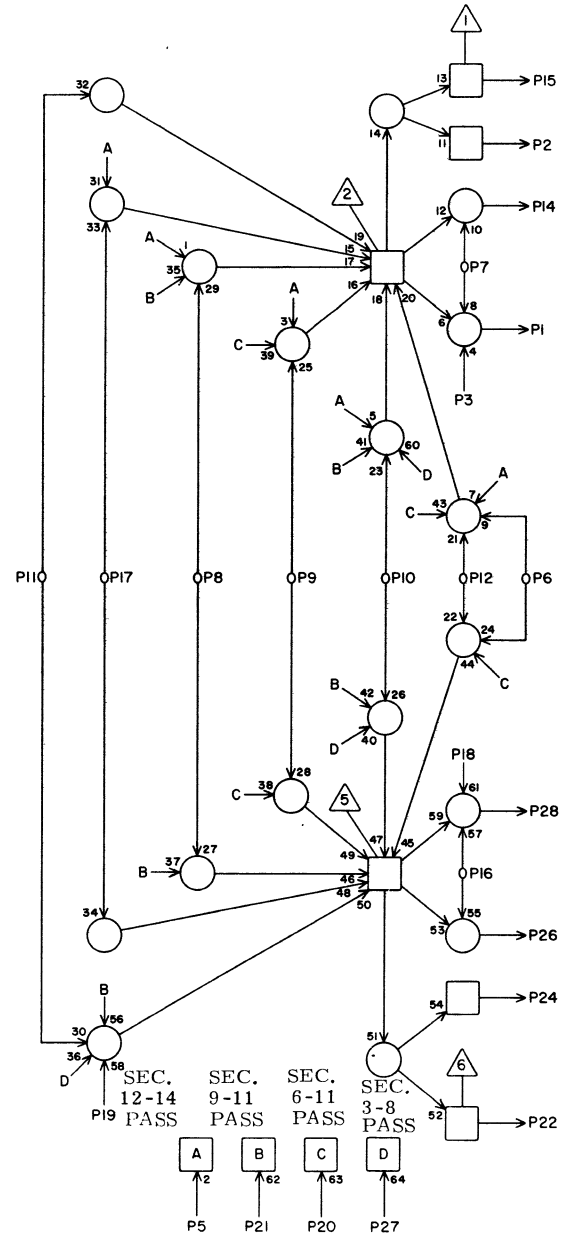
QF 8R 15

1	K17	6	29
2	N11	23	17
3	R15	:	2
4	N10	23	17
5	L16	24	25
6	P06	9	15
7	R15	X	2
8	Q11	11	9
9	R15	X	2
10	Q10	23	9
11	R14	8	5
12	P11	9	13
13	N12	23	19
14	P10	21	13
15	N14	23	17
16	Q05	23	13
17	R15	X	?
18	R14	1	5
19	L16	5	27
20	P15	21	11
21	O32	11	23
22	Q10	3	11
23	L16	21	27
24	Q10	25	9
25	R15	:	?
26	P15	23	11
27	N15	23	17
28	N13	23	17

JACK PIN LG

63017200 Rev. D

ADD COEF. ADDER
CARRIES



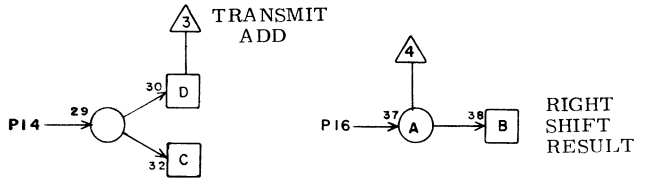
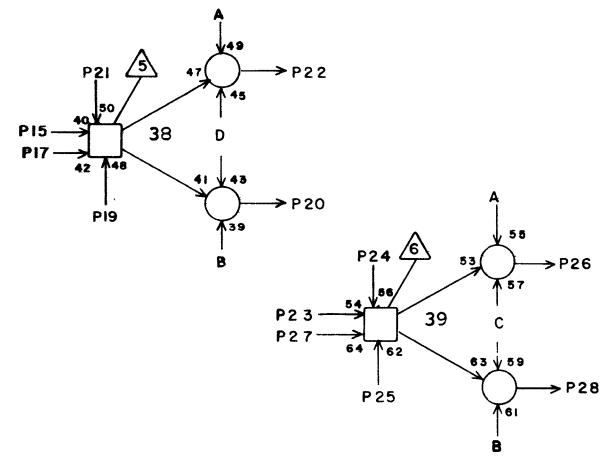
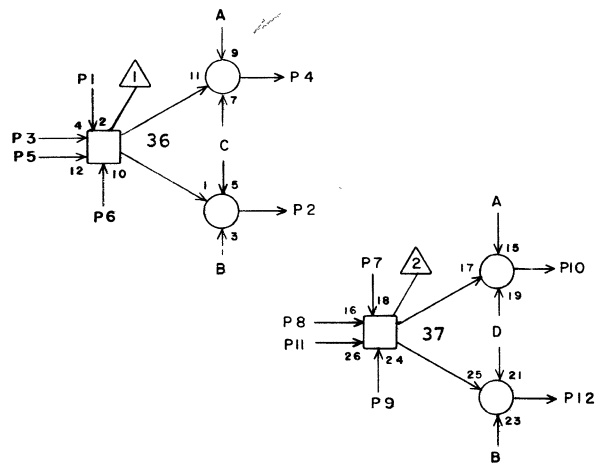
MJ 8R 16

1	N19	17	19
2	O35	24	23
3	D14	2	53
4			
5	L20	13	27
6	O16	28	13
7	O35	16	23
8	N18	14	19
9	N17	15	17
10	N17	14	19
11	N19	14	19
12	N19	15	19
13			
14	N19	21	19
15	R27	14	13
16	O34	13	25
17	N18	15	19
18	L20	16	27
19	L20	9	27
20	O16	3	17
21	L20	15	27
22	O34	3	25
23			
24	Q29	14	17
25			
26	N19	10	21
27	O16	14	17
28	N19	11	21

JACK PIN LG

63017200 Rev. E

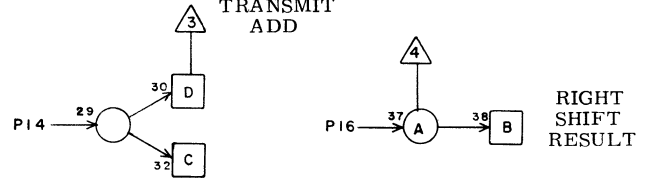
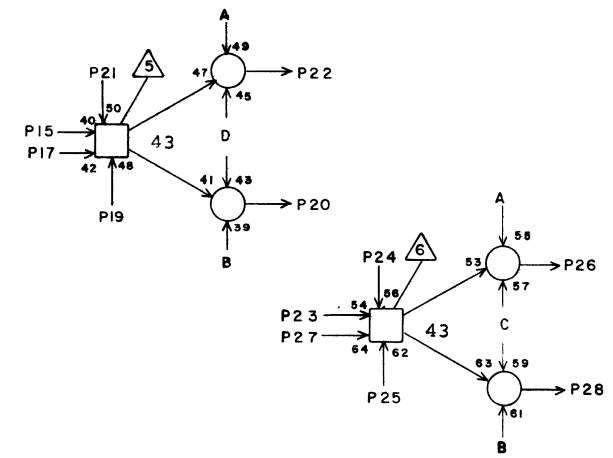
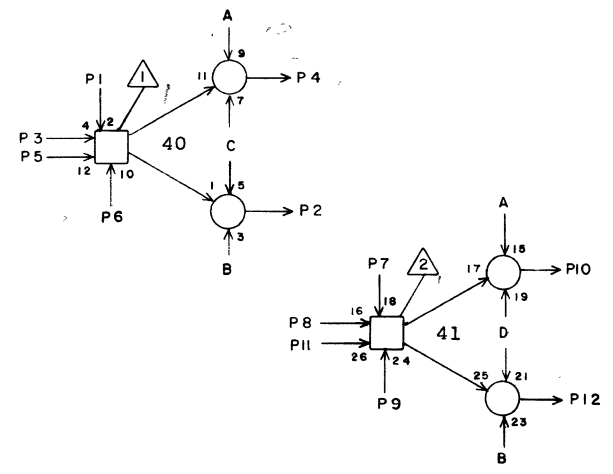
ADD COEF. RESULT AND SHIFT NET.



NA 8R 17

	JACK	PIN	LG
1	P22	27	11
2	N04	25	19
3	P22	25	11
4	H11	2	39
5	R24	22	9
6	R24	25	11
7	R25	1	11
8	R25	16	11
9	P23	1	13
10	H11	10	39
11	P23	16	13
12	H11	4	41
13			
14	N06	10	23
15	R25	22	11
16	N27	24	21
17	P23	22	13
18			
19	P23	25	13
20	H11	8	41
21	R25	25	11
22	H11	19	39
23	R26	1	13
24	R26	16	13
25	P24	1	15
26	H11	27	39
27	P24	16	15
28	H11	21	41

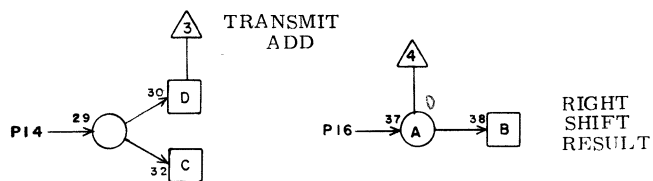
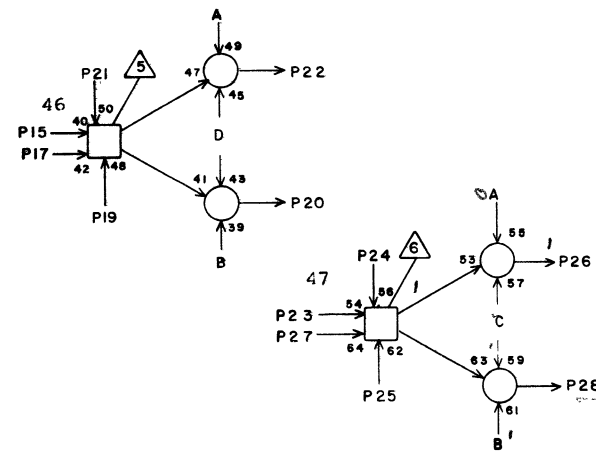
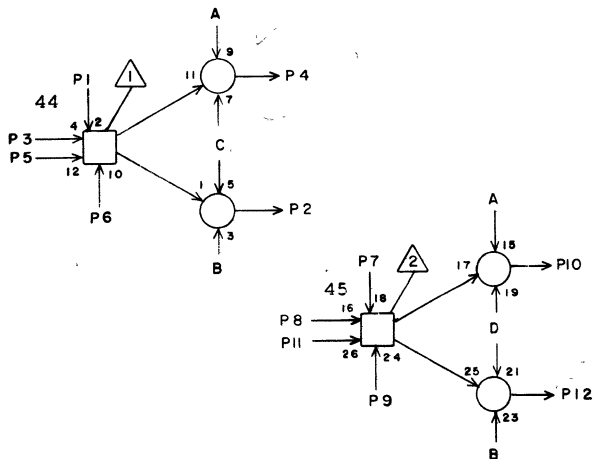
ADD COEF. RESULT AND SHIFT NET.



NA 8R 18

	JACK	PIN	LG
1	P24	22	11
2	H11	25	39
3	P24	25	11
4	H12	2	39
5	R26	22	11
6	R26	25	11
7	R27	1	13
8	R27	16	13
9	P25	1	15
10	H12	10	39
11	P25	16	13
12	H12	4	41
13			
14	N06	12	23
15	R27	22	11
16	N27	26	19
17	P25	22	13
18			
19	P25	25	13
20	H12	8	41
21	R27	25	11
22	H12	19	39
23	R28	1	13
24	R28	16	13
25	P26	1	15
26	H12	27	39
27	P26	16	15
28	H12	21	41

ADD COEF. RESULT AND SHIFT NET.

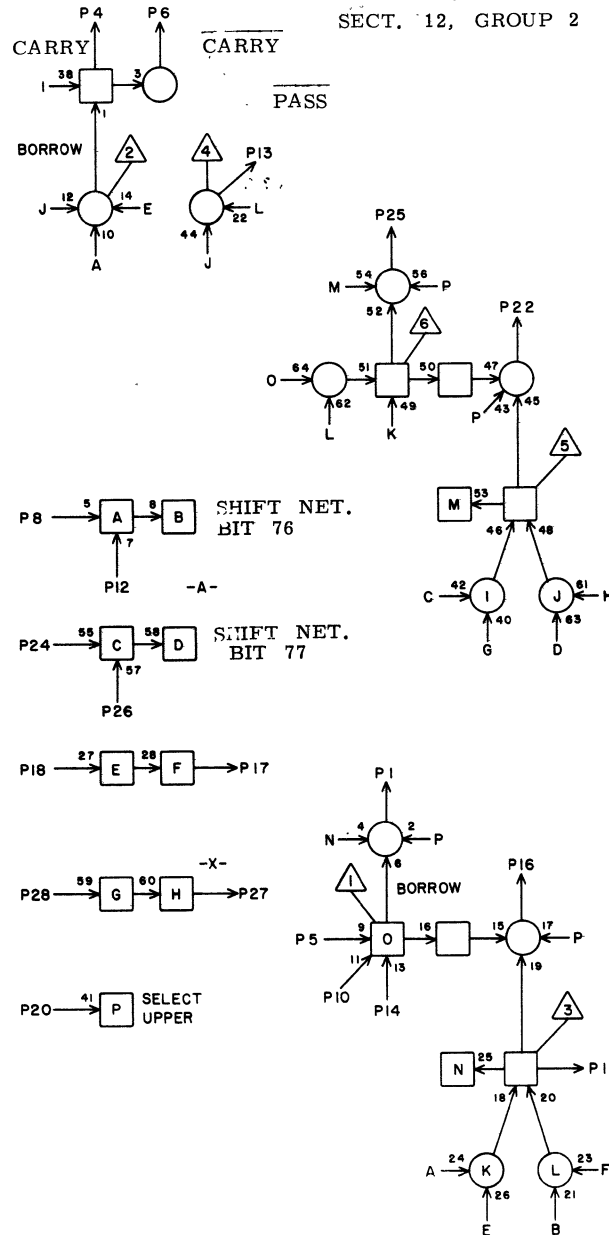


NA 8R 19

1	P26	22	13
2	H12	25	39
3	P26	25	13
4	H13	2	39
5	R28	22	13
6	R28	25	13
7	R29	1	13
8	R29	16	13
9	P27	1	15
10	H13	10	39
11	P27	16	13
12	H13	4	41
13			
14	NO6	18	11
15	R29	22	13
16	N27	28	19
17	P27	22	13
18			
19	P27	25	13
20	H13	8	41
21	R29	25	13
22	H13	19	39
23	R30	6	15
24	R30	3	13
25	P28	6	17
26	H13	27	39
27	P28	3	15
28	H13	21	41

JACK PIN LG

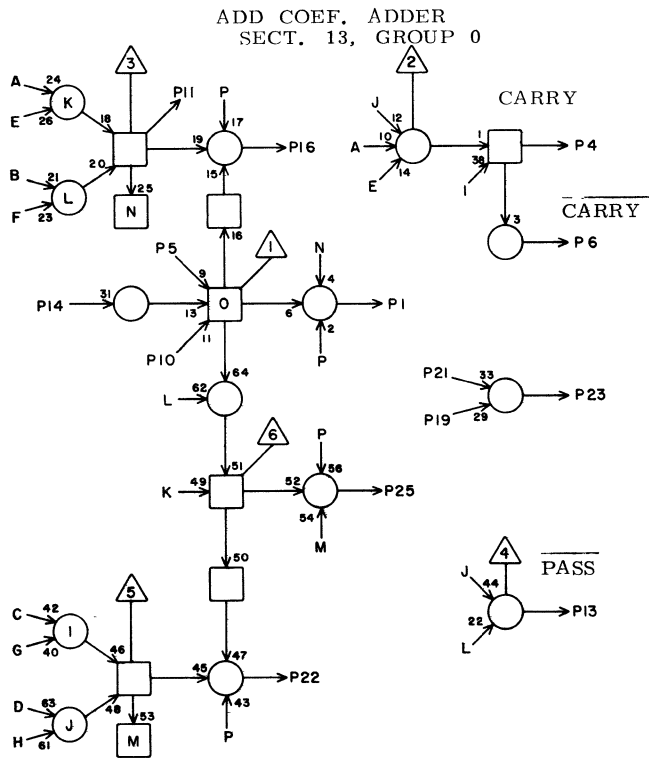
ADD COEF. ADDER SECT. 12, GROUP 2



NG 8R 20

1	Q17	23	9
2			
3			
4	Q34	10	19
5	Q30	6	13
6			
7			
8	R32	1	15
9			
10	Q34	4	21
11			
12	Q42	8	13
13	Q34	9	21
14	Q34	5	21
15			
16	Q17	24	9
17			
18	M23	24	23
19			
20	M16	17	23
21			
22	Q18	5	9
23			
24	R32	2	15
25	Q18	6	9
26	R33	22	15
27			
28	M23	7	23

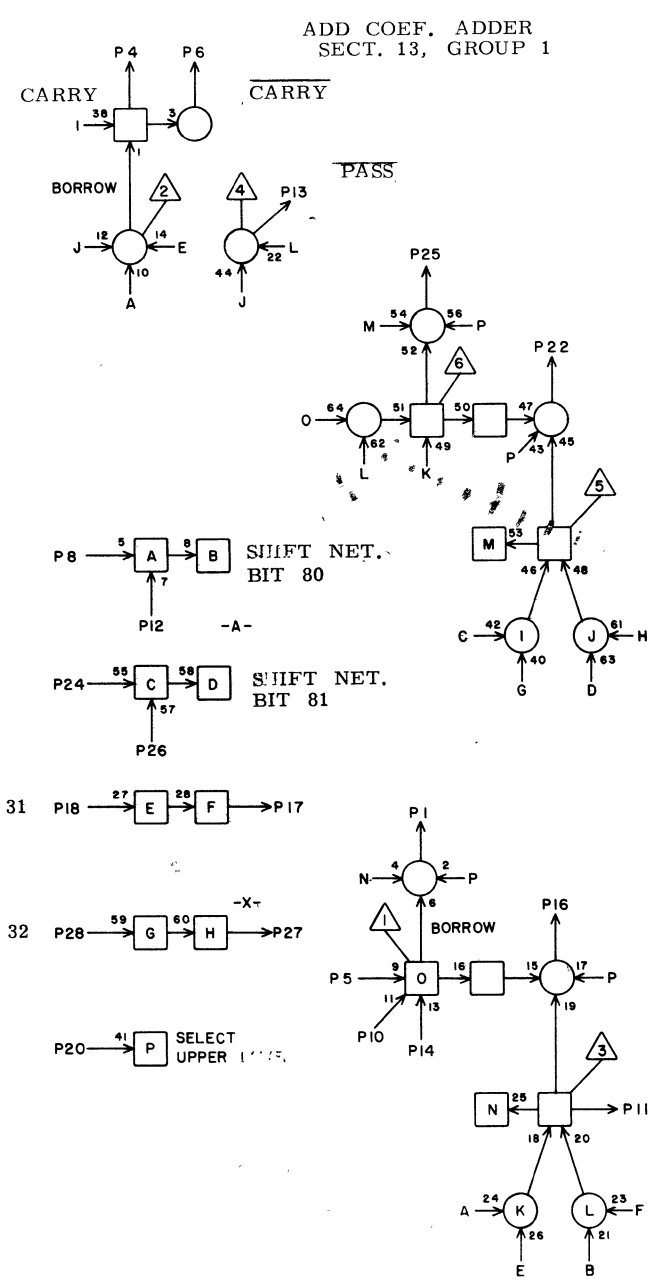
JACK PIN LG



NK 8R21

1	Q18	7	7
2			
3			
4	O34	25	19
5			
6	R22	5	5
7			
8	R32	3	15
9			
10			
11			
12	R33	8	15
13	O34	27	19
14	N19	6	19
15			
16	Q18	8	
17			
18	M24	24	23
19	L30	7	27
20	M16	18	23
21			
22	Q18	15	9
23	N27	27	19
24	R32	4	13
25	Q18	21	9
26	R34	22	15
27			
28	M24	7	23

JACK PIN LG

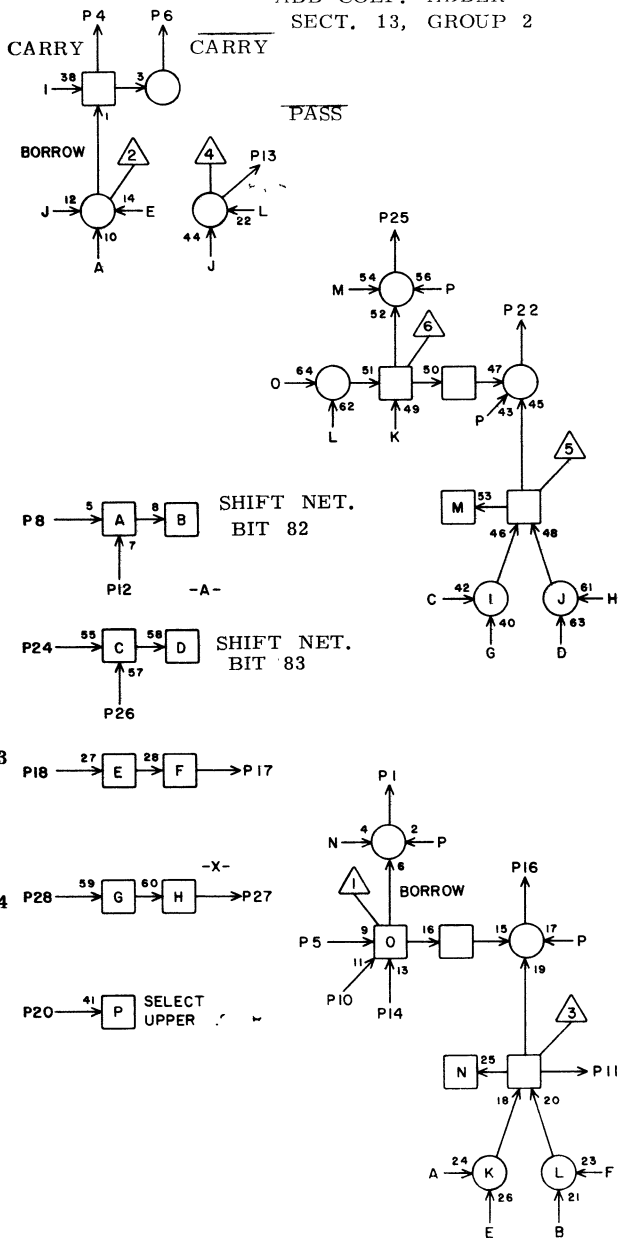


NG 8R 22

1	Q18	22	7
2			
3			
4	O34	21	19
5	R21	6	5
6	R23	5	5
7			
8	R32	5	13
9			
10	O34	28	19
11			
12	R34	8	15
13	O34	22	19
14			
15			
16	Q18	24	9
17			
18	M25	24	23
19			
20	M16	19	23
21			
22	Q19	5	9
23			
24	R32	6	13
25	Q19	6	9
26	R35	26	15
27			
28	M25	7	23

JACK PIN LG

ADD COEF. ADDER
SECT. 13, GROUP 2

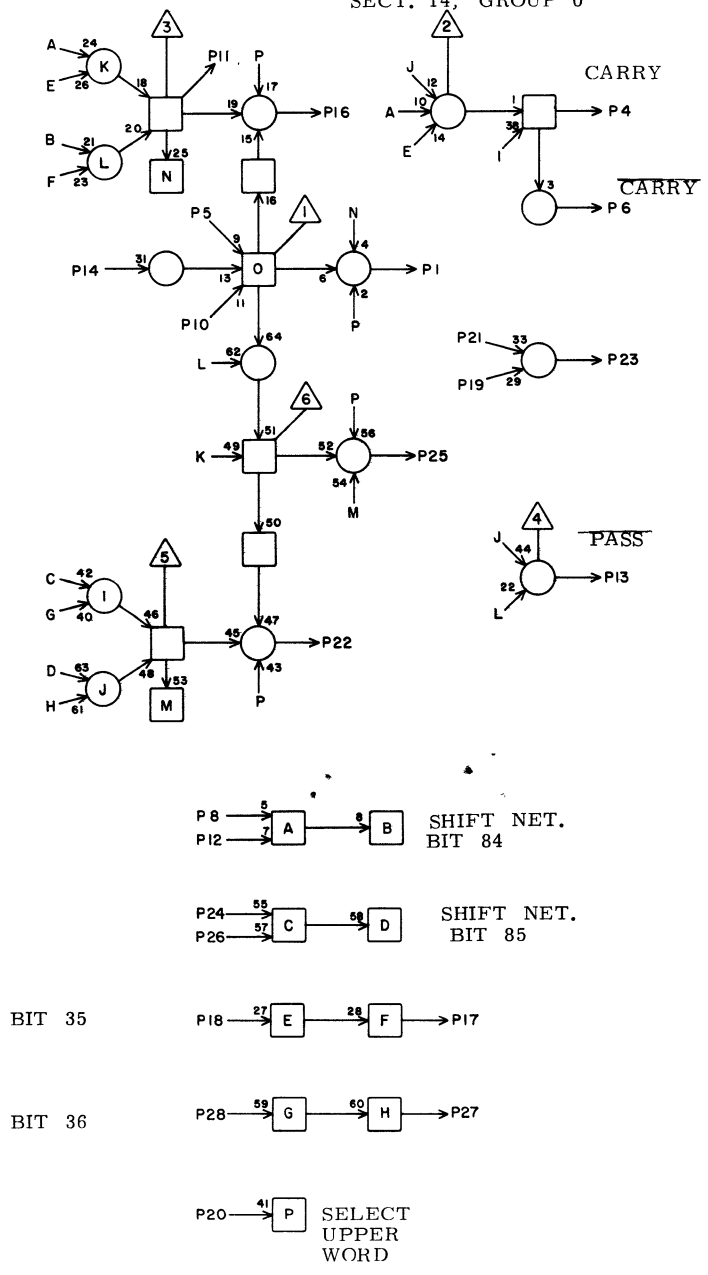


NG 8R 23

1	Q19	7	7
2			
3			
4	O34	19	17
5	R22	6	5
6			
7			
8	R32	7	13
9			
10	O34	23	19
11			
12	R35	2	15
13	O34	20	17
14	O34	26	17
15			
16	Q19	8	9
17			
18	M26	24	23
19			
20	M16	20	23
21			
22	Q19	15	9
23			
24	R32	13	
25	Q19	21	9
26	R36	26	15
27			
28	M26	7	23

JACK PIN LG

ADD COEF. ADDER
SECT. 14, GROUP 0

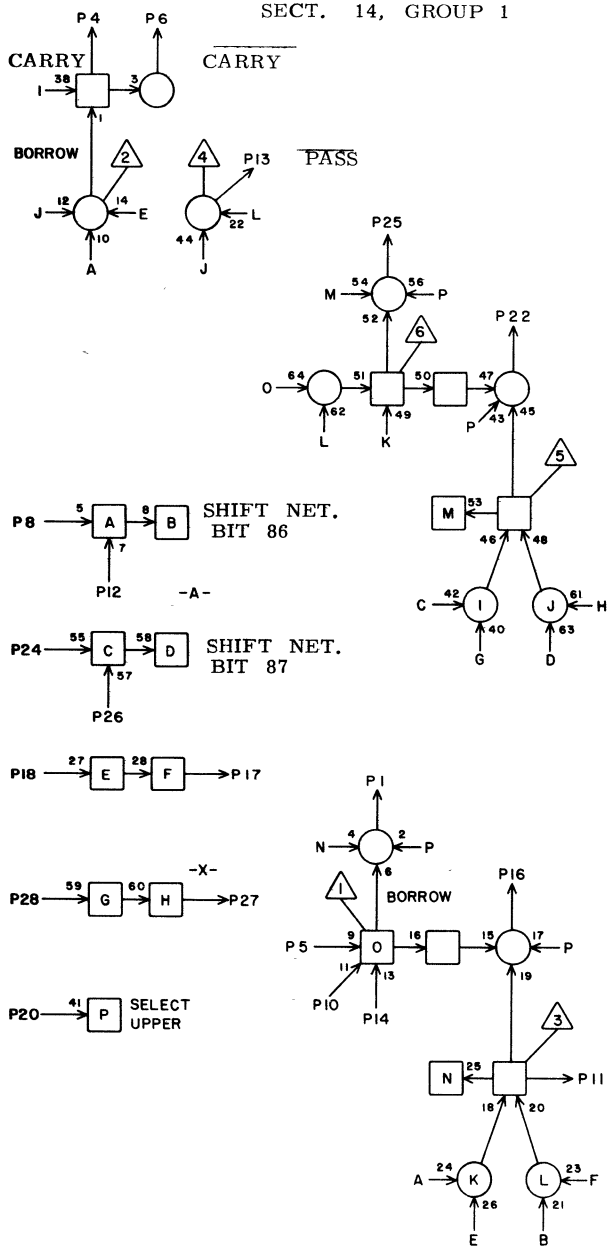


NK 8R 24

1	Q19	23	9
2			
3			
4	O35	6	19
5			
6	R25	5	5
7			
8	R32	9	11
9			
10			
11			
12	R36	2	15
13	O35	2	19
14	N19	12	19
15			
16	Q19	24	9
17			
18	N20	24	19
19	Q26	23	7
20	M16	21	23
21	G18	15	43
22	R17	5	9
23	F26	14	47
24	R32	10	11
25	R17	6	11
26	R37	26	15
27			
28	N20	7	19

JACK PIN LG

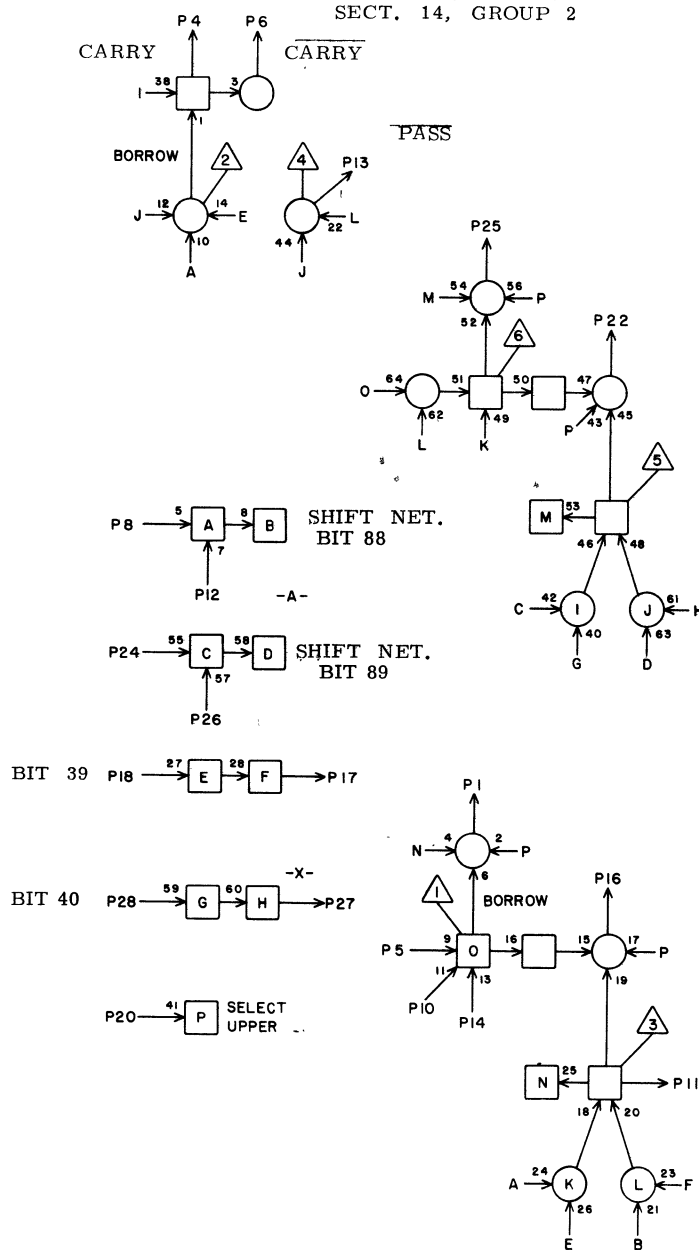
ADD. COEF. ADDER
SECT. 14, GROUP 1



NG 8 R 25

1	R17	7	11
2			
3			
4	O35	8	17
5	R24	6	5
6	R26	5	5
7			
8	R32	11	11
9			
10	O35	1	19
11			
12	R37	2	15
13	O35	7	19
14			
15			
16	R17	8	11
17			
18	N21	24	19
19			
20	M16	22	23
21			
22	R17	15	11
23			
24	R32	13	11
25	R17	21	11
26	R38	26	15
27			
28	N21	7	19

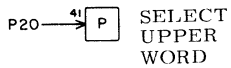
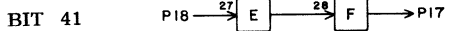
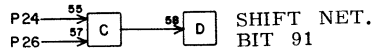
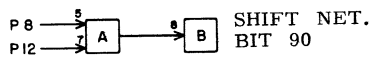
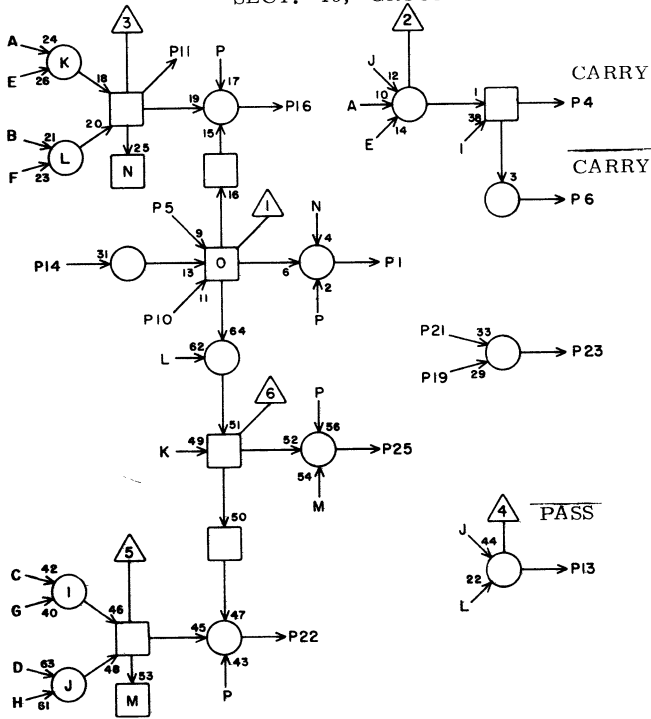
ADD COEF. ADDER
SECT. 14, GROUP 2



NG 8 R 26

1	R17	23	13
2			
3			
4	O35	10	17
5	R25	6	5
6			
7			
8	R32	15	9
9			
10	O35	4	17
11			
12	R38	2	15
13	O35	9	17
14	O35	5	19
15			
16	R17	24	13
17			
18	N22	24	19
19			
20	M16	23	23
21			
22	R18	5	11
23			
24	R32	17	9
25	R18	6	11
26	R39	26	15
27			
28	N22	7	19

ADD COEF. ADDER
SECT. 15, GROUP 0



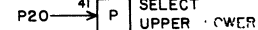
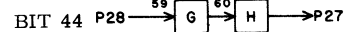
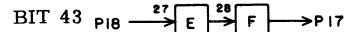
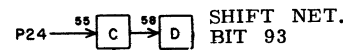
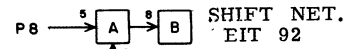
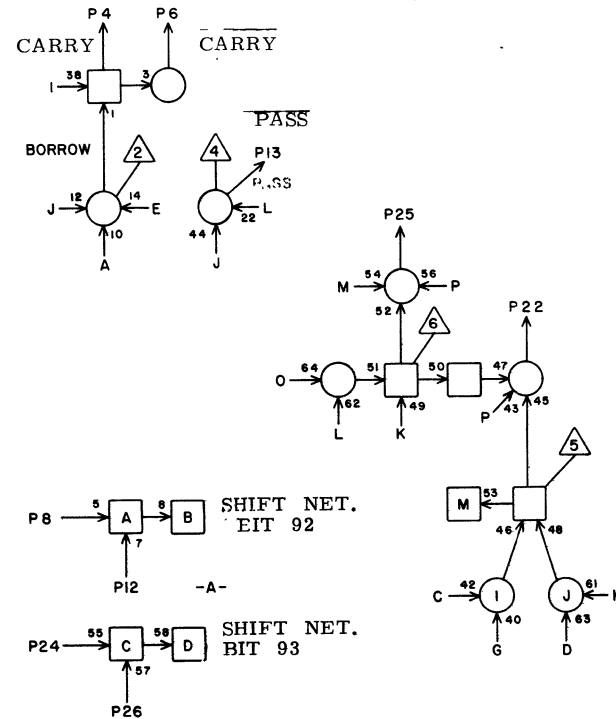
NK 8R 27

1	R18	7	13
2			
3			
4	O35	25	15
5			
6	R28	5	5
7			
8	R32	18	9
9			
10			
11			
12	R39	2	15
13	O35	27	17
14	R16	15	13
15			
16	R18	8	13
17			
18	N23	24	19
19	R30	5	7
20	M16	24	25
21			
22	R18	15	11
23	R30	13	7
24	R32	19	7
25	R18	21	11
26	R40	26	15
27			
28	N23	7	19

JACK PIN LG

63017200 Rev. E

ADD COEF. ADDER
SECT. 15, GROUP 1

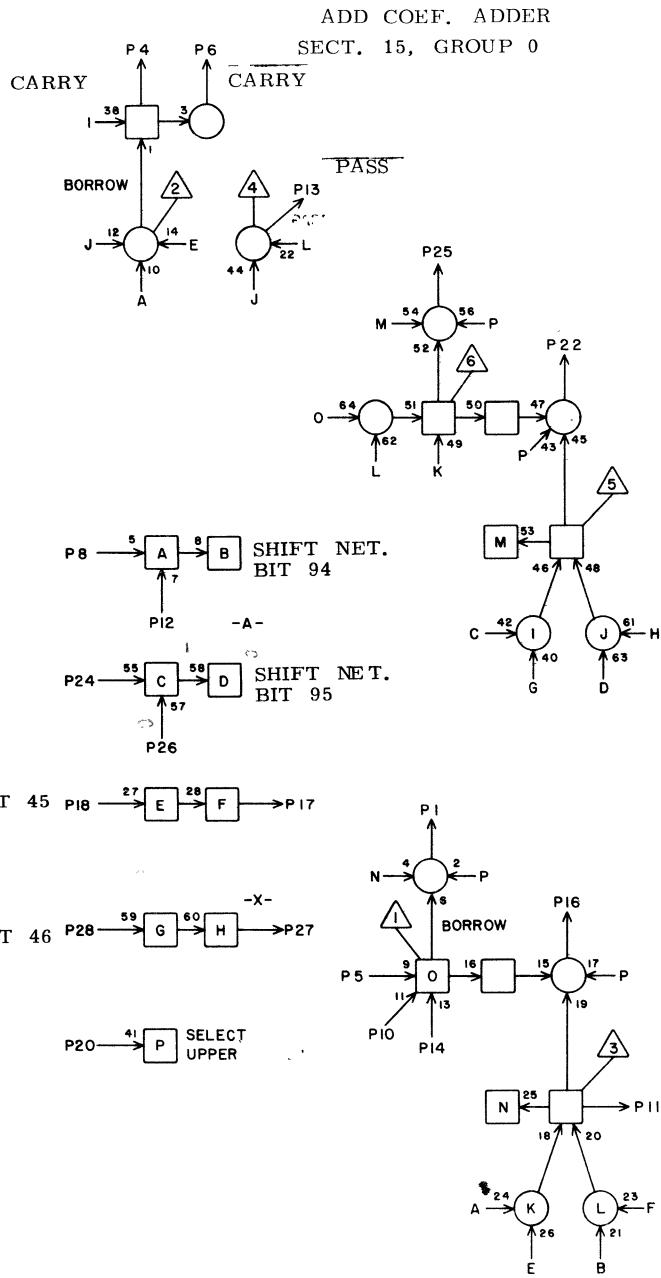


NG 8R 28

1	R18	23	13
2			
3			
4	O35	21	15
5	R27	6	5
6	R29	5	5
7			
8	R32	20	7
9			
10	O35	28	15
11			
12	R40	2	15
13	O35	22	15
14			
15			
16	R18	24	13
17			
18	N24	24	19
19			
20	M16	25	25
21			
22	R19	5	13
23			
24	R32	21	7
25	R19	6	13
26	R41	26	15
27			
28	N24	7	19

JACK PIN LG

63017200 Rev. E

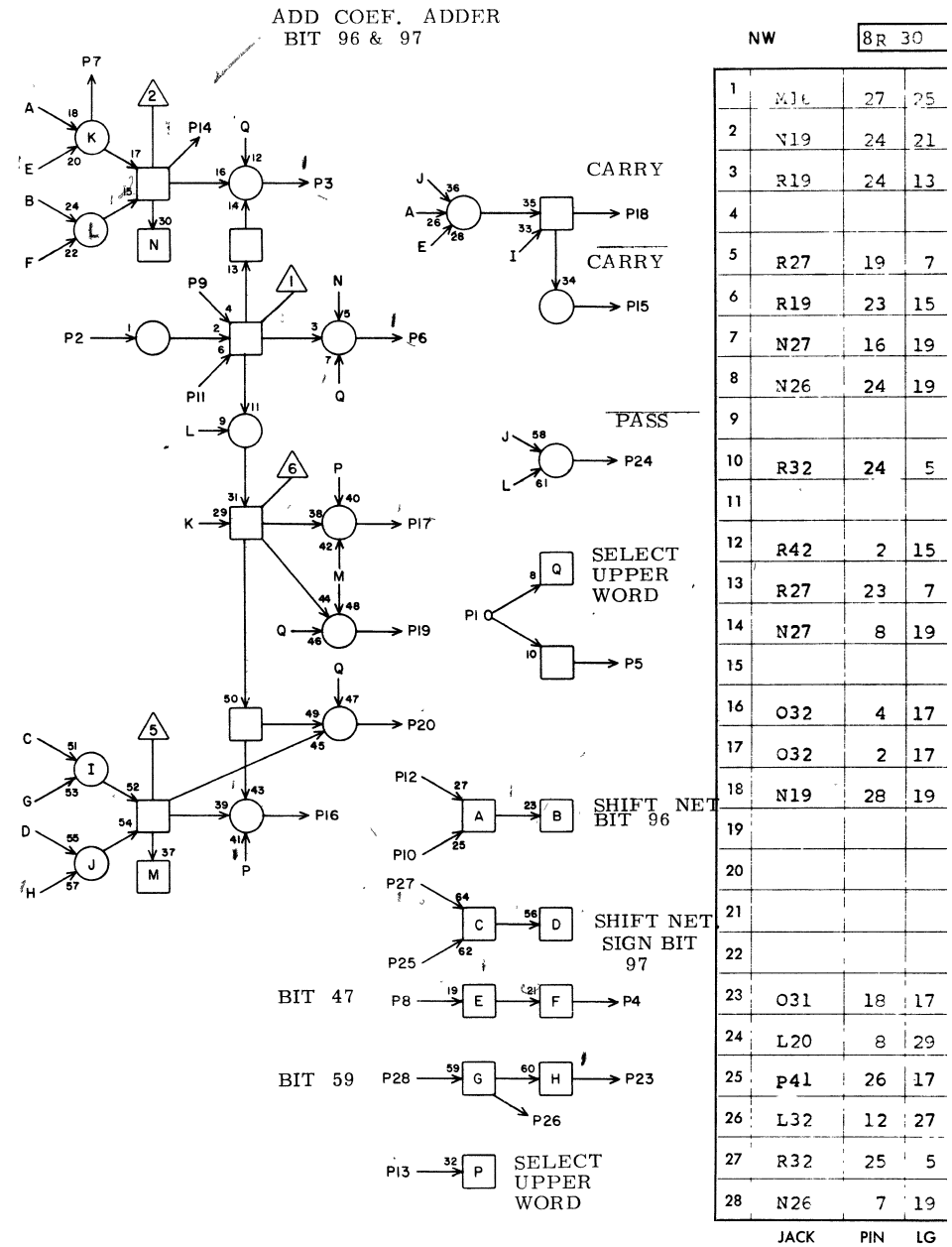


NG **8R 29**

1	R19	7	13
2			
3			
4	O35	19	15
5	R28	6	5
6			
7			
8	R32	22	7
9			
10	O35	23	17
11			
12	R41	2	15
13	O35	20	15
14	O35	26	15
15			
16	R19	8	13
17			
18	N25	24	19
19			
20	M16	26	25
21			
22	R19	15	13
23			
24	R32	23	7
25	R19	21	13
26	R42	26	15
27			
28	N25	7	19

JACK PIN LG

63017200 Rev. E



NW **8R 30**

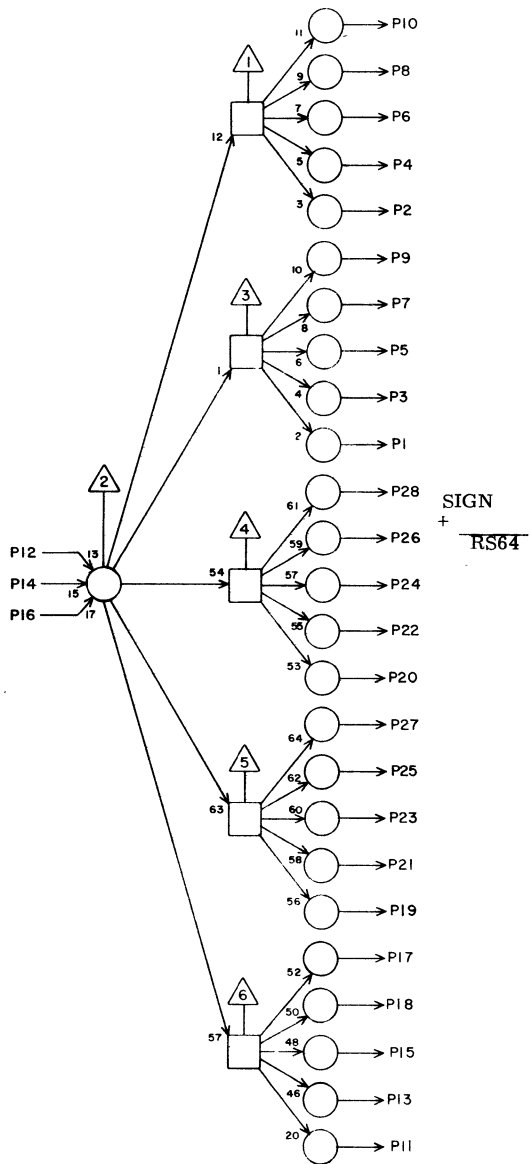
1	M16	27	25
2	N19	24	21
3	R19	24	13
4			
5	R27	19	7
6	R19	23	15
7	N27	16	19
8	N26	24	19
9			
10	R32	24	5
11			
12	R42	2	15
13	R27	23	7
14	N27	8	19
15			
16	O32	4	17
17	O32	2	17
18	N19	28	19
19			
20			
21			
22			
23	O31	18	17
24	L20	8	29
25	P41	26	17
26	L32	12	27
27	R32	25	5
28	N26	7	19

JACK PIN LG

63017200 Rev. F

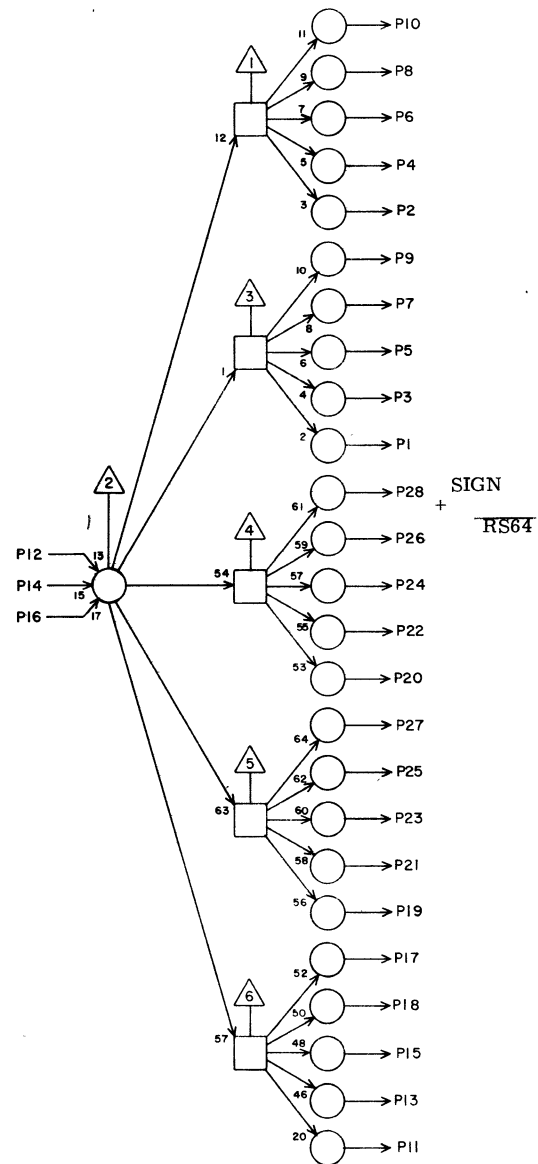
8R30

ADD
SHIFT CONTROL



CA		8R 31	
JACK	PIN	LG	
1	Q20	8	15
2	Q20	24	13
3	Q21	8	13
4	Q21	24	13
5	Q22	8	13
6	Q22	24	13
7	Q23	8	13
8	Q23	24	11
9	Q24	8	15
10	Q24	24	11
11	Q25	8	11
12	K39	26	29
13	Q25	24	11
14	R31	X	2
15	Q26	8	11
16	R31	X	2
17	Q26	24	9
18	Q27	8	9
19	Q27	24	9
20	Q28	8	9
21	Q28	24	9
22	Q29	8	9
23	Q29	24	7
24	Q30	8	9
25	Q30	24	7
26			
27			
28			

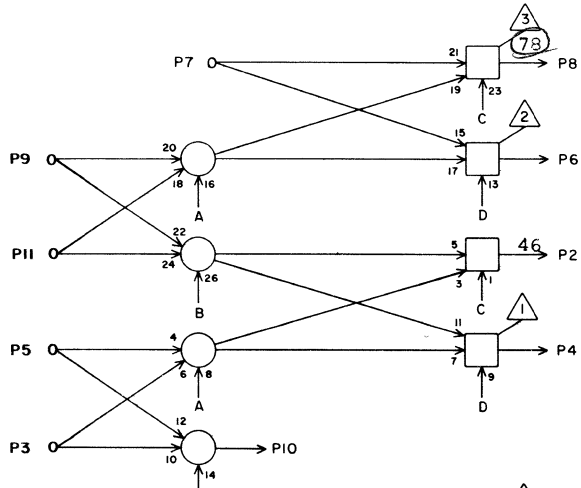
ADD
SHIFT CONTROL



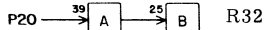
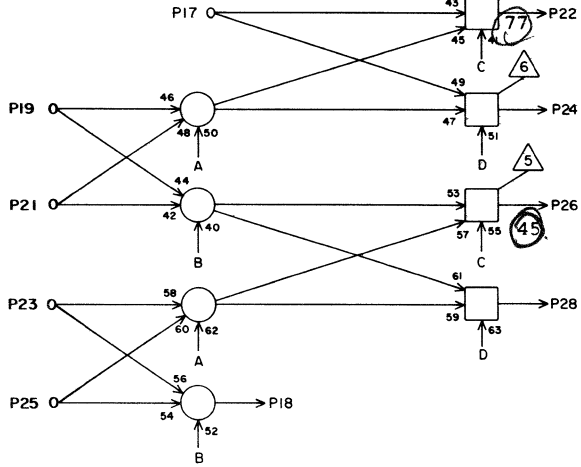
CA		8R 32	
JACK	PIN	LG	
1	R20	8	15
2	R20	24	15
3	R21	8	15
4	R21	24	13
5	R22	8	13
6	R22	24	13
7	R23	8	13
8	R23	24	13
9	R24	8	11
10	R24	24	11
11	R25	8	11
12	K39	28	29
13	R25	24	11
14	R32	X	2
15	R26	8	9
16	R32	X	2
17	R26	24	9
18	R27	8	9
19	R27	24	9
20	R28	8	7
21	R28	24	7
22	R29	8	7
23	R29	24	7
24	R30	10	5
25	R30	27	5
26			
27			
28	H09	27	43

ADD SHIFT

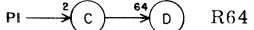
SIGN . R32



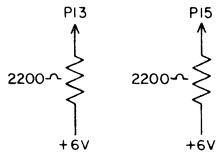
SIGN . R32^B



R32



R64



NF 8R 33

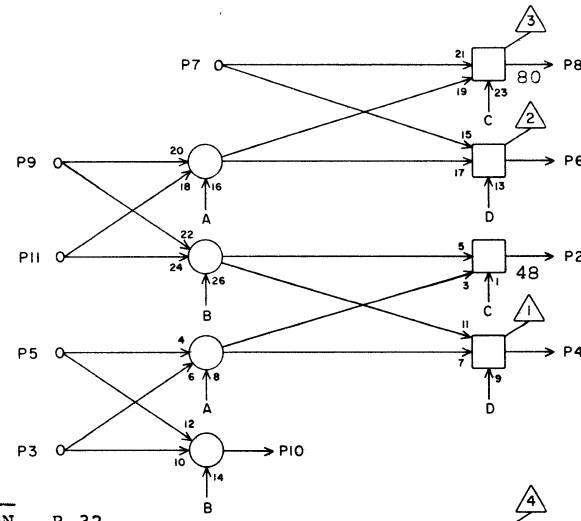
1	P40	18	13
2	F27	12	13
3	N38	10	19
4			
5	N38	20	19
6	O22	8	19
7	P31	15	11
8	R21	12	15
9	O39	18	15
10	R42	17	13
11	O39	6	17
12			
13			
14			
15			
16			
17	P31	17	11
18	R41	7	11
19	O40	18	17
20	P38	18	13
21	O40	6	17
22	R20	26	15
23	N39	20	19
24	O21	24	19
25	N39	10	21
26	P26	26	13
27			
28			

JACK PIN LG

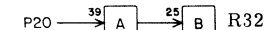
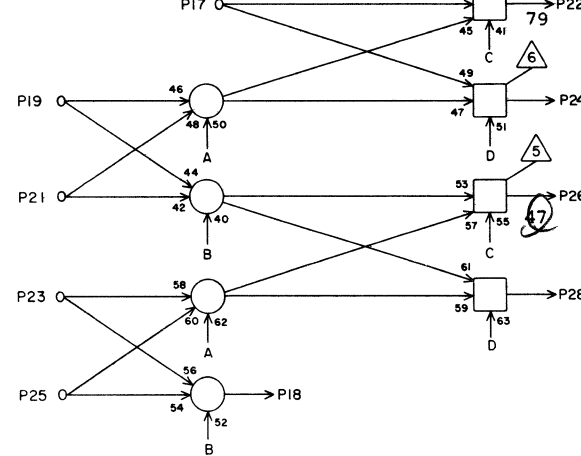
63017200 Rev. 10

ADD SHIFT

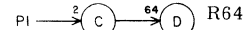
SIGN . R 32



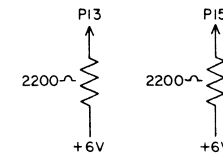
SIGN . R 32



R32



R64



8R34

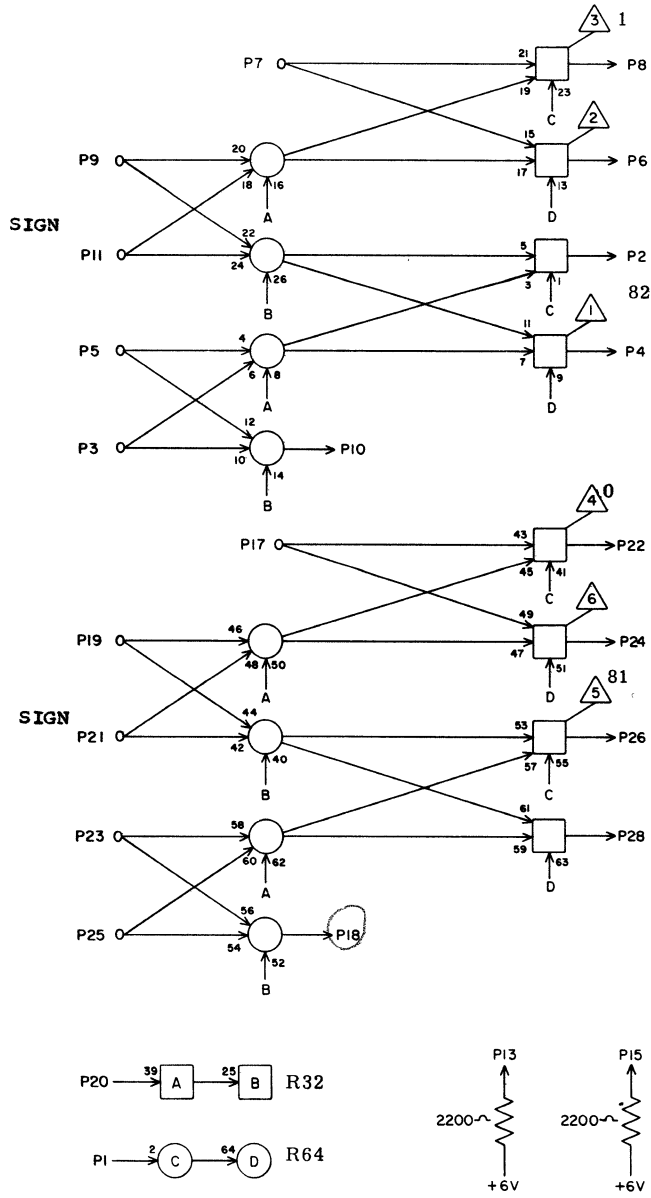
NF 8R 34

1	P40	19	13
2	P28	12	13
3	N40	10	19
4			
5	N40	20	19
6	O23	8	19
7	P31	18	11
8	R22	12	15
9	O41	18	15
10	P41	17	13
11	O41	6	17
12			
13			
14			
15			
16			
17	P31	19	13
18	R42	7	11
19	O42	18	17
20	P38	19	13
21	O42	6	17
22	R21	26	15
23	N41	20	19
24	O22	24	19
25	N41	10	21
26	P27	26	13
27			
28			

JACK PIN LG

63017200 Rev. E

ADD SHIFT



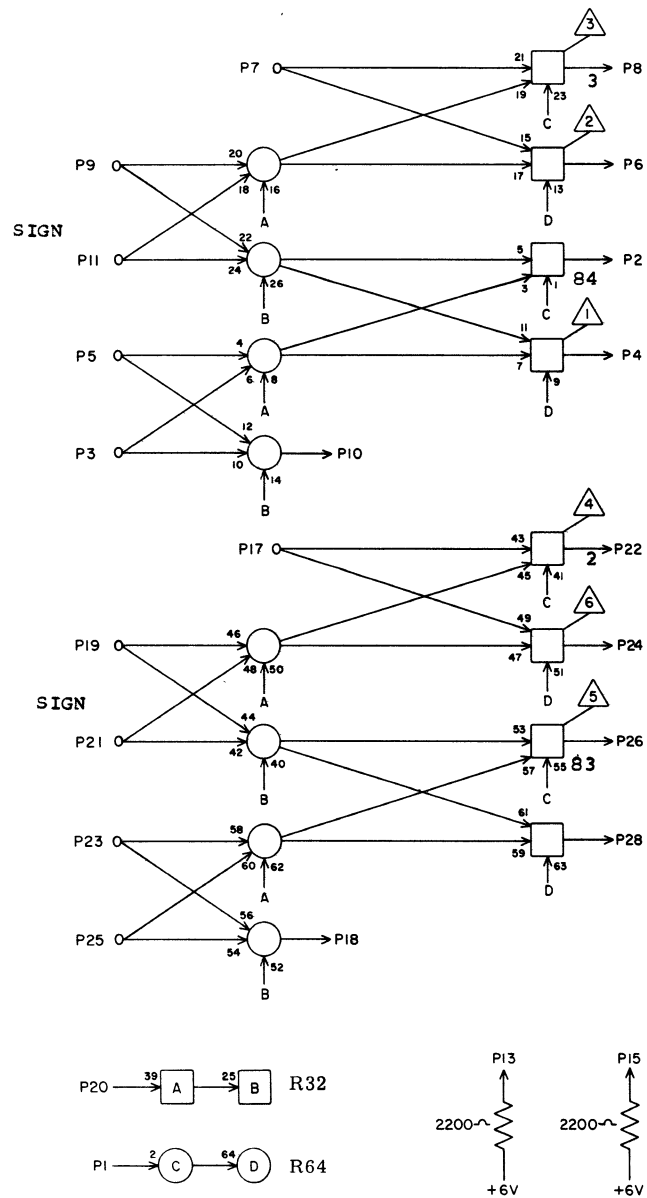
NF 8R 35

1	P40	20	11
2	R23	12	15
3	N42	10	19
4	O24	8	19
5	N42	20	19
6			
7	Q37	18	7
8	M29	26	21
9	R35	X	2
10	P33	7	13
11	Q31	1	9
12			
13			
14			
15			
16			
17	Q36	10	7
18	P33	17	11
19	R35	X	2
20	P38	20	13
21	Q31	2	11
22			
23	O36	20	15
24			
25	O36	10	17
26	R22	26	15
27			
28	O23	24	19

JACK PIN LG

63017200 Rev. E

ADD SHIFT



NF 8R 36

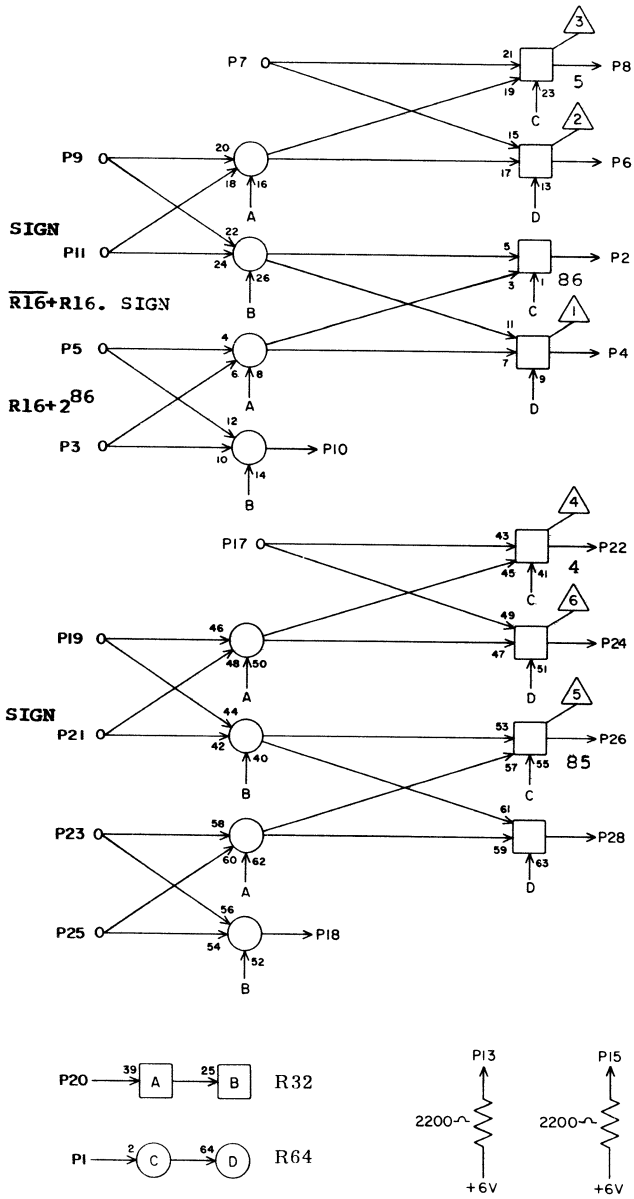
1	P40	21	11
2	R24	12	15
3	O37	10	15
4	O25	8	19
5	P39	9	13
6			
7	Q38	18	7
8	M30	26	21
9	R36	X	2
10	P34	7	13
11	Q31	3	11
12			
13			
14			
15			
16			
17	Q37	10	9
18	P34	17	11
19	R36	X	2
20	P38	21	11
21	Q31	4	11
22	M30	12	23
23	P39	10	13
24			
25	O38	10	17
26	R23	26	15
27			
28	O24	24	19

JACK PIN LG

63017200 Rev. F

ADD SHIFT

NF 8 R 37

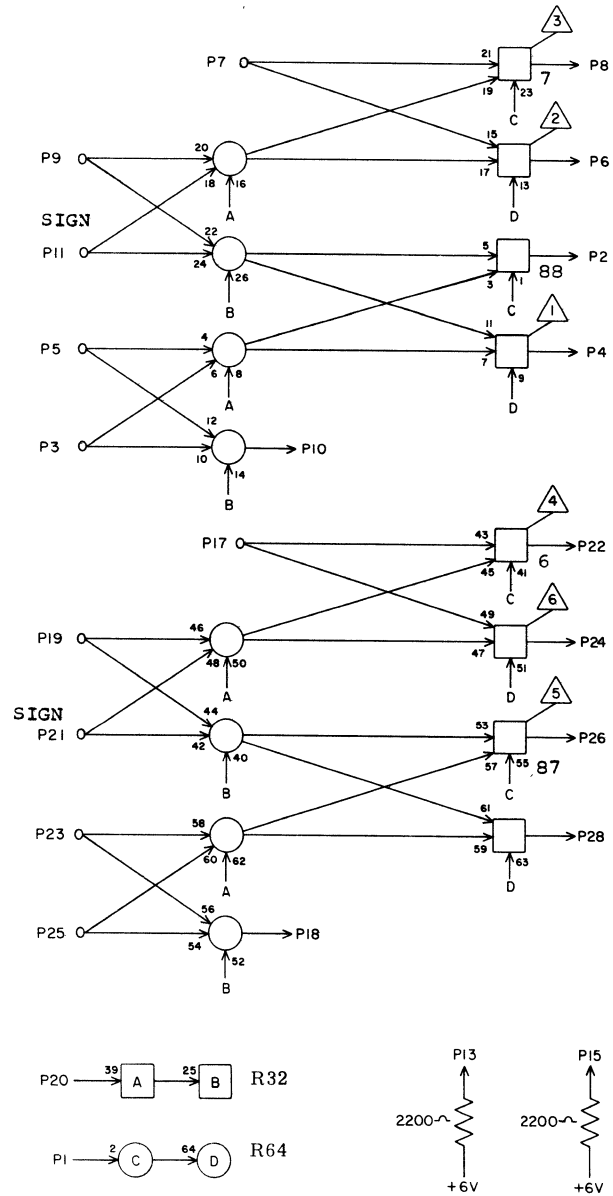


1	P40	22	9
2	R25	12	15
3	O39	10	15
4	O26	8	19
5	P39	11	13
6			
7	Q39	18	7
8	N28	26	19
9	R37	X	2
10	P35	7	13
11	Q31	5	11
12			
13			
14			
15			
16			
17	Q38	10	9
18	P35	17	11
19	R37	X	2
20	P38	22	11
21	Q31	6	11
22	N28	12	21
23	P39	12	13
24			
25	O40	10	17
26	R24	26	15
27			
28	O25	24	19

63017200 Rev. E

ADD SHIFT

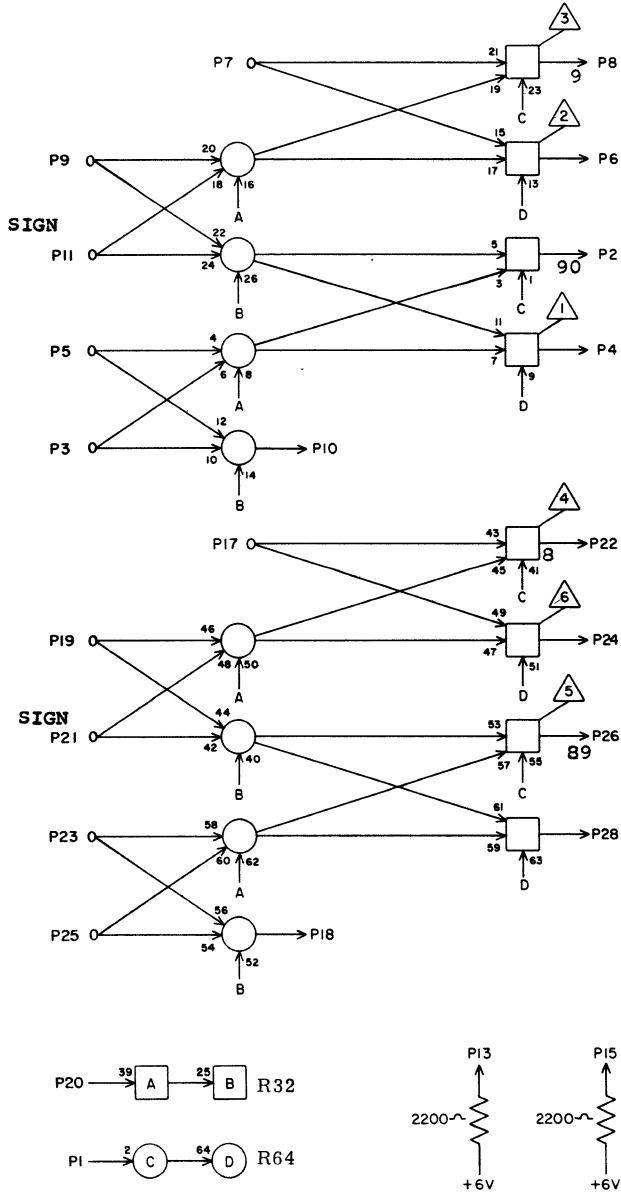
NF 8R 38



1	P40	23	9
2	R26	12	15
3	O41	10	15
4	O27	8	19
5	P39	13	11
6			
7	Q40	18	7
8	N29	26	19
9	R38	X	2
10	P36	7	13
11	Q31	7	11
12			
13			
14			
15			
16			
17	Q39	10	9
18	P36	17	11
19	R38	X	2
20	P38	23	11
21	Q31	8	13
22	N29	12	21
23	P39	25	13
24			
25	O42	10	17
26	R25	26	15
27			
28	O26	24	19

63017200 Rev. F

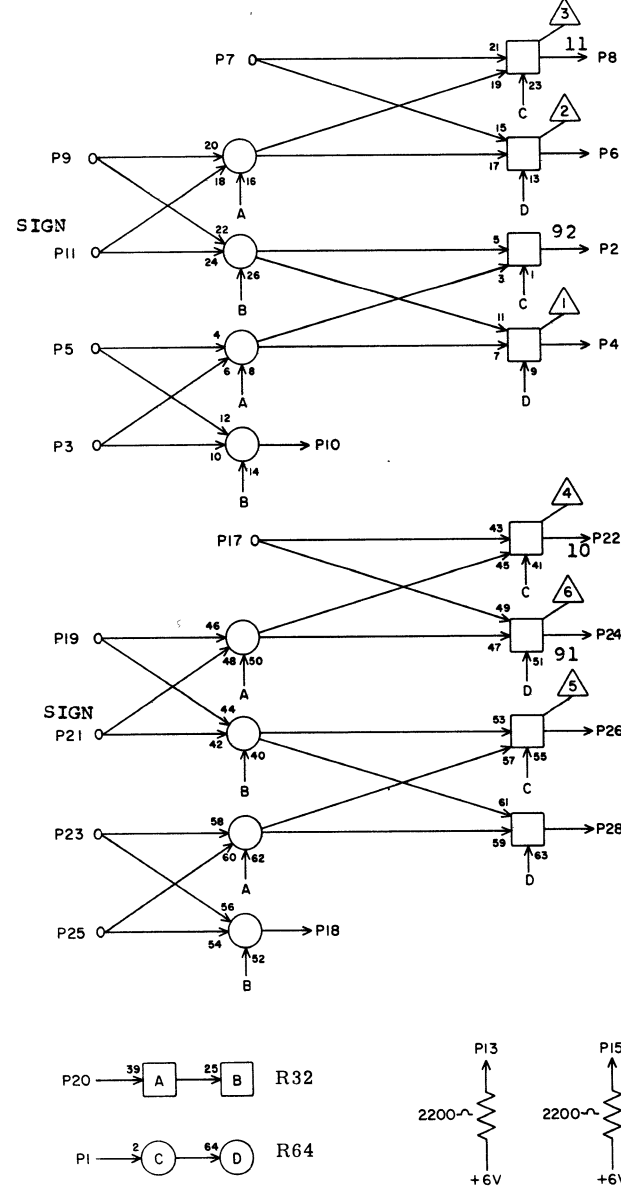
ADD SHIFT



NF 8R 39

JACK	PIN	LG
1	P40	24 9
2	R27	12 15
3	N42	12 19
4	O28	8 19
5	P39	17 11
6		
7	Q41	18 7
8	N30	26 19
9	R39	X 2
10	Q33	7 11
11	Q31	9 13
12		
13		
14		
15		
16		
17	Q40	10 9
18	Q33	17 11
19	R39	X 2
20	P38	24 11
21	Q31	10 13
22	N30	12 21
23	P39	18 13
24		
25	O36	12 17
26	R26	26 15
27		
28	O27	24 19

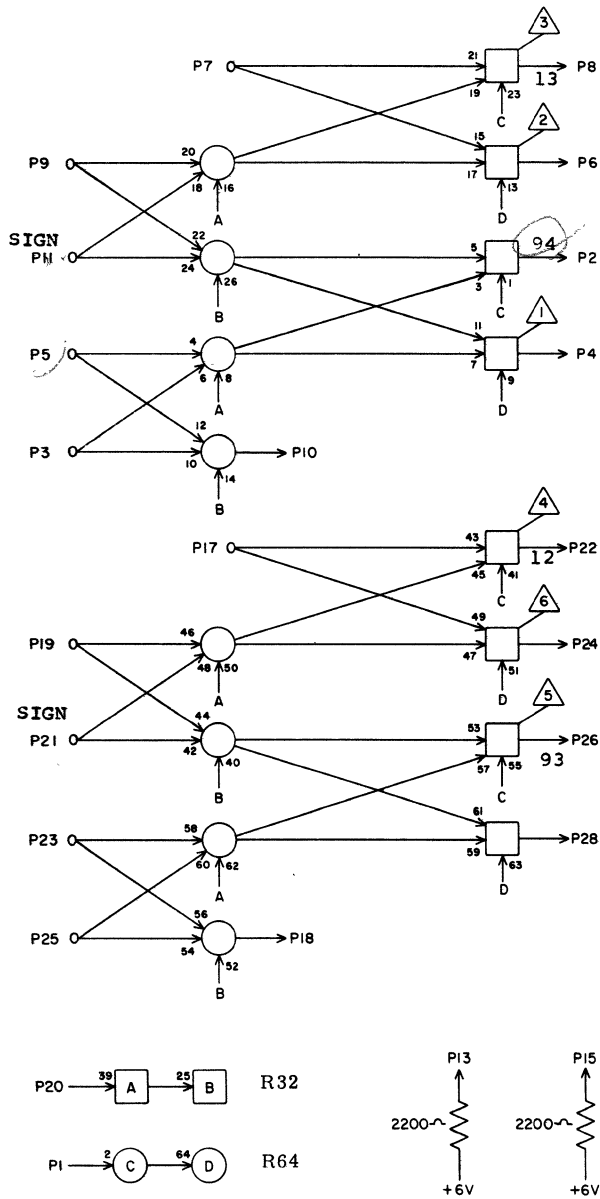
ADD SHIFT



NF 8R 40

JACK	PIN	LG
1	P40	25 9
2	R28	12 15
3	O37	12 15
4	O29	8 19
5	P39	19 11
6		
7	Q42	18 7
8	O20	26 25
9	R40	X 2
10	Q34	7 11
11	Q31	11 13
12		
13		
14		
15		
16		
17	Q41	10 9
18	Q34	17 11
19	R40	X 2
20	P38	25 11
21	Q31	13 13
22	O20	12 25
23	P39	20 13
24		
25	O38	12 17
26	R27	26 15
27		
28	O28	24 19

ADD SHIFT



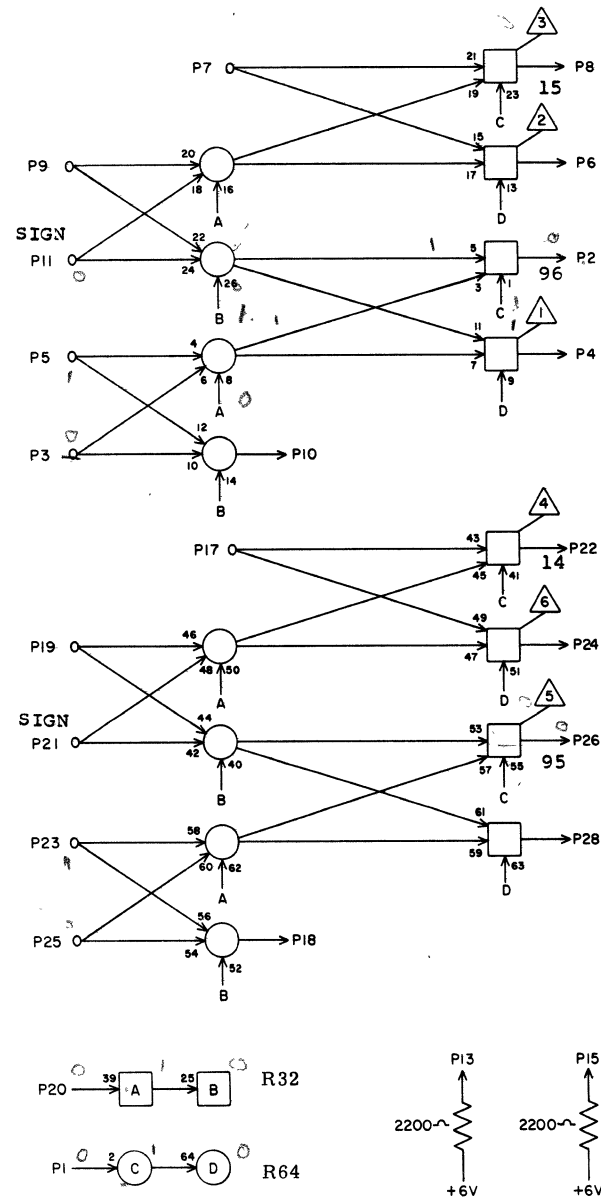
NF 8R 41

1	P40	26	9
2	R29	12	15
3	O39	12	15
4	O30	8	19
5	P39	21	1
6			
7	R33	18	11
8	O21	26	25
9	R41	X	2
10	Q35	7	11
11	Q31	15	13
12			
13			
14			
15			
16			
17	Q42	10	9
18	Q35	17	11
19	R41	X	2
20	P38	26	11
21	Q31	17	13
22	O21	12	25
23	P39	22	13
24			
25	O40	12	17
26	R28	26	15
27			
28	O29	24	19

JACK PIN LG

63017200 Rev. E

ADD SHIFT



NF 8R 42

1	P40	27	9
2	R30	12	15
3	O41	12	15
4	P20	3	25
5	P39	23	11
6			
7	R34	18	11
8	O22	26	25
9	R42	X	2
10	Q36	7	11
11	Q31	18	15
12			
13			
14			
15			
16			
17	R33	10	13
18	Q36	17	11
19	R42	X	2
20	P38	27	11
21	Q31	19	15
22	O22	12	25
23	P39	24	13
24			
25	O42	12	17
26	R29	26	15
27			
28	O30	24	19

JACK PIN LG

63017200 Rev. E

8R42

COMMENT SHEET

MANUAL TITLE CONTROL DATA 6600 COMPUTER SYSTEM

Chassis: 8 Customer Engineering Manual

PUBLICATION NO. 63017200 REVISION _____

FROM: NAME: _____
BUSINESS ADDRESS: _____

COMMENTS:

This form is not intended to be used as an order blank. Your evaluation of this manual will be welcomed by Control Data Corporation. Any errors, suggested additions or deletions, or general comments may be made below. Please include page number references and fill in publication revision level as shown by the last entry on the Record of Revision page at the front of the manual. Customer engineers are urged to use the TAR.

CUT ALONG LINE

FORM CA231 REV. 1-67

NO POSTAGE STAMP NECESSARY IF MAILED IN U. S. A.

FOLD ON DOTTED LINES AND STAPLE

STAPLE

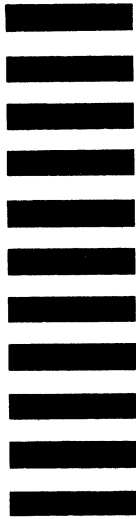
STAPLE

FOLD

FOLD

FIRST CLASS
PERMIT NO. 8241
MINNEAPOLIS, MINN.

BUSINESS REPLY MAIL
NO POSTAGE STAMP NECESSARY IF MAILED IN U.S.A.



CUT ALONG LINE

POSTAGE WILL BE PAID BY
CONTROL DATA CORPORATION
8100 34TH AVENUE SOUTH
MINNEAPOLIS, MINNESOTA 55440

ATTN: TECHNICAL PUBLICATIONS DEPT.
PLANT TWO

FOLD

FOLD