

CONTROL DATA[®] 6600 COMPUTER SYSTEM

6601-H/J, 6613-A/B/C

Chassis 9

CARD PLACEMENT
WIRE LISTS
CHASSIS TABS

RECORD of REVISIONS

REVISION	NOTES
A (4-12-65)	This printing obsoletes all previous editions. This printing includes Chippewa change notice 67.
B (3-4-66)	Change Order 9850 which advanced the revision level from A to B.
C (3-4-66)	Change Order 11490 which did not advance the Product Designation.
D (3-4-66)	Publication Change Order 12352 which did not advance the Product Designation. It incorporates the following Change Orders: 10996, 10429, 10194, 10162 and 10087. This edition obsoletes all previous editions.
E (7-28-66)	Field Change Order 12932 which advanced the Product Designation to 6601-H38. Card Placement. Pages G33, G39, I24, I25, I26, I27, I28, I29, I30, I31, I32, I33, I34, I35, I36, I37, I38, I39, I40, I41 and I42 revised. Pages G30, H28, H33 and H38 added.
F (11-14-66)	Field Change Order 13943 which advanced the Product Designation to 6601-H47 and 6613-A07. Pages G24 and G32 revised.
G (11-14-66)	Field Change Order 14118 which advanced the Product Designation to 6601-H55 and 6613-A14. Pages A08, A16, A25, A33, C14, D08, D16, D25, D33, F14, M14, N08, N16, N25, N33, P14, Q08, Q16, Q25 and Q33 revised.
H (11-14-66)	Change Order 14087 which did not affect the Product Designation. Pages G34 and G35 revised.
J (11-14-66)	Field Change Order 13757 which advanced the Product Designation to 6601-H57 and 6613-A16. Pages I24, I33, I34, I35, I36, I38, I39, I40, I41 and I42 revised.
K (11-14-66)	Change Order 14792 which did not affect the Product Designation. Pages A18, A33, C14, C25, D18, F29, G29, M14, P19 and P20 revised.
L (11-14-66)	Publications Change Order 15150 which did not affect the Product Designation. Cover and title page revised.
M (6-14-67)	Field Change Order 14965 which advanced the Product Designation to 6601-H68, 6601-J08, 6613-A27 and 6613-B08. Card Placement and pages C14, C15, C16, C17, C18, C21, F14, F15, F16, F17, F18, F21, G24, G32, G33, G39, M14, M15, M16, M17, M18, M21, P14, P15, P16, P17, P18 and P21 revised. Page F13 added.
N (6-14-67)	Change Order 15069 which did not affect the Product Designation. Pages C21, F21, G21, G25, G32, G33, G34, G35, G36, H16, H17, I30, I31, I37 and M21 revised. Pages G34 and G35 added for Serials 32 and Up.
P (6-14-67)	Publications Change Order 16648 which did not affect the Product Designation. Cover, title page and comment sheet revised.
R (1-5-68)	Field Change Order 17014, which advanced the Product Designation to 6601-H84, 6601-J25, 6613-A43, 6613-B25 and 6613-C12. The following pages revised: C14, C15, C16, F14, F15, F16, M14, M15, M16, P14, P15, P16.
S (1-5-68)	Field Change Order 17251, which advanced the Product Designation to 6601-H85, 6601-J26, 6613-A44, 6613-B26 and 6613-C13. The following pages revised: G30, G32, G33, I30 and I37.
T (12-13-68)	Manual revised, includes Field Change Order 20251, equipment level 6601-H95, 6601-J34, 6613-A54, 6613-B34, 6613-C21. Pages G30, G32, H28, H33, H38, I24, I30 and I37 revised.
U (12-13-68)	Manual revised; includes Engineering Change Order 21231, publication change only. Pages M14 and M16 revised.

FORM CA230 REV. 1-67

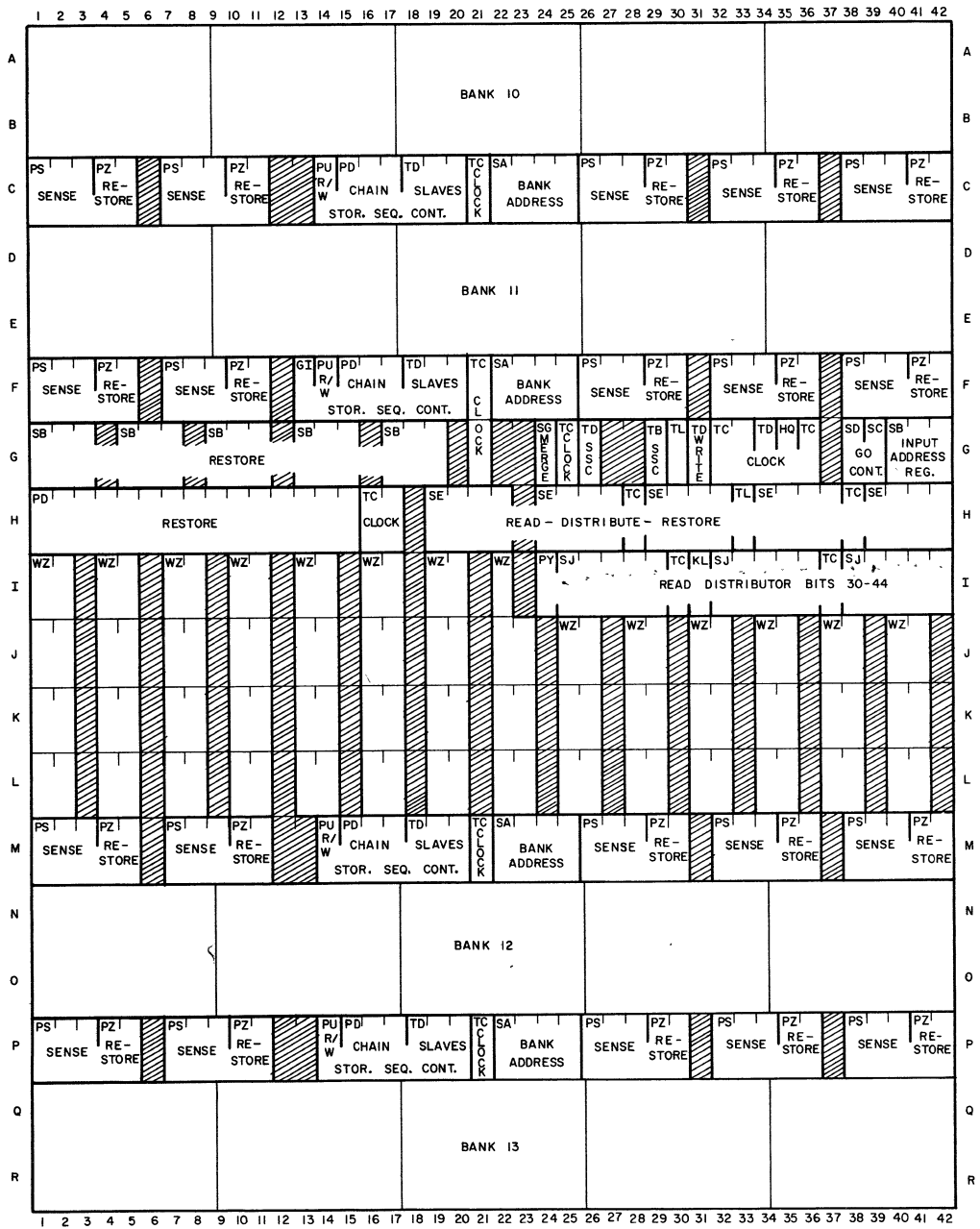
Address comments concerning this manual to:

Control Data Corporation
 Technical Publications Department
 4201 North Lexington Avenue
 St. Paul, Minnesota 55112

or use Comment Sheet in the back of this manual.

Pub No. 63017100
 © 1965, 1966, 1967, 1968
 by Control Data Corporation

Printed in United States of America



		9A 1			
		JACK	PIN	LG	
		1	C 1	2	9
		2	C 5	23	13
		3	C 1	4	9
		4	C 5	3	11
		5	C 2	2	9
		6	C 4	7	11
		7	C 2	4	9
		8	C23	19	25
		9	C 3	8	9
		10	C23	20	21
		11	C 3	10	9
		12	C25	19	25
		13			
		14	C25	20	25
		15	A1	X	2
		16	C25	2	25
		17			
		18	C24	2	25
		19	C 3	2	7
		20	C22	20	23
		21	C 3	4	7
		22	C22	19	23
		23	C 2	8	7
		24	C25	3	25
		25	C 2	10	7
		26	C 4	21	9
		27	C 1	8	7
		28	C 5	5	9
		29	C 1	10	7
		30	C 5	25	9

		9A 8			
		JACK	PIN	LG	
		1	C 4	23	13
		2	C 1	22	13
		3	C 5	7	11
		4	C 1	24	13
		5	C 4	3	11
		6	C 2	16	13
		7	C22	2	17
		8	C 2	18	13
		9	C23	2	17
		10	C 3	16	11
		11	C24	20	19
		12	C 3	18	11
		13	C24	19	19
		14			
		15	C22	3	17
		16	A8	X	2
		17	C23	3	17
		18			
		19	C24	3	17
		20	C 3	22	11
		21	C14	24	11
		22	C 3	24	11
		23	C14	1	29
		24	C 2	22	11
		25	C 5	21	9
		26	C 2	24	11
		27	C 4	25	11
		28	C 1	16	11
		29	C 4	5	9
		30	C 1	18	11

		9A10			
		JACK	PIN	LG	
		1	C 7	2	11
		2	C11	23	11
		3	C 7	4	11
		4	C11	3	9
		5	C 8	2	9
		6	C10	7	9
		7	C 8	4	9
		8	C23	21	17
		9	C 9	8	9
		10	C23	22	17
		11	C 9	10	9
		12	C25	21	19
		13			
		14	C25	22	19
		15	A10	X	2
		16	C25	4	17
		17			
		18	C24	4	17
		19	C 9	2	7
		20	C22	22	15
		21	C 9	4	7
		22	C22	21	17
		23	C 8	8	7
		24	C25	5	17
		25	C 8	10	7
		26	C10	21	9
		27	C 7	8	9
		28	C11	5	7
		29	C 7	10	9
		30	C11	25	9

		9A16			
		JACK	PIN	LG	
		1	C10	23	13
		2	C 7	22	15
		3	C11	7	11
		4	C 7	24	15
		5	C10	3	11
		6	C 8	16	13
		7	C22	4	11
		8	C 8	18	13
		9	C23	4	11
		10	C 9	16	11
		11	C24	22	13
		12	C 9	18	11
		13	C24	21	13
		14			
		15	C22	5	11
		16	A16	X	2
		17	C23	5	11
		18			
		19	C24	5	13
		20	C 9	22	13
		21	C14	25	11
		22	C 9	24	13
		23	C14	3	29
		24	C 8	22	13
		25	C11	21	11
		26	C 8	24	13
		27	C10	25	11
		28	C 7	16	13
		29	C10	5	11
		30	C 7	18	13

9A18

STORAGE
MODULE

1	C26	2	13
2	C30	23	17
3	C26	4	13
4	C30	3	17
5	C27	2	13
6	C29	7	15
7	C27	4	13
8	C23	23	13
9	C28	8	15
10	C23	24	13
11	C28	10	15
12	C25	23	13
13			
14	C25	24	13
15	A18	X	2
16	C25	6	9
17			
18	C24	6	11
19	C28	2	13
20	C22	24	11
21	C28	4	13
22	C22	23	11
23	C27	8	13
24	C25	7	9
25	C27	10	13
26	C29	21	15
27	C26	8	11
28	C30	5	15
29	C26	10	11
30	C30	25	15

JACK PIN LG

FUNCTION	PIN
Address	
S ⁰	22
S ¹	20
S ²	8
S ³	10
S ⁸	12
S ⁹	14
S ¹⁰	16
S ¹¹	16
Store	
Z ²	6
Z ³	26
Z ⁶	28
Z ⁷	4
Z ¹⁰	30
Z ¹¹	2
Read	
Z ⁰	1
Z ²⁰	3
Z ²¹	27
Z ²⁴	29
Z ²⁴	5
Z ²⁴	7
Z ²⁵	23
Z ²⁸	25
Z ²⁸	19
Z ²⁹	21
Z ²⁹	9
Z ²⁹	11
Inhibit	
S ¹¹	24
Power	
+5 To Inhibit	13
+5 To Inhibit	17
Ground	15

9A25

STORAGE
MODULE

1	C29	23	13
2	C26	22	11
3	C30	7	11
4	C26	24	11
5	C29	3	9
6	C27	16	11
7	C22	6	9
8	C27	18	11
9	C23	6	9
10	C28	16	11
11	C24	24	11
12	C28	18	11
13	C24	23	11
14			
15	C22	7	9
16	A25	X	2
17	C23	7	9
18			
19	C24	7	9
20	C28	22	11
21	C14	26	15
22	C28	24	11
23	C14	4	29
24	C27	22	9
25	C30	21	11
26	C27	24	9
27	C29	25	11
28	C26	16	9
29	C29	5	9
30	C26	18	9

JACK PIN LG

FUNCTION	PIN
Address	
S ⁴	7
S ⁵	9
S ⁶	13
S ⁷	11
Store	
Z ⁰	29
Z ¹	5
Z ⁴	27
Z ⁵	1
Z ⁸	3
Z ⁹	25
Read	
Z ²	28
Z ²	30
Z ²	2
Z ³	4
Z ⁶	6
Z ⁶	8
Z ⁷	24
Z ⁷	26
Z ¹⁰	10
Z ¹⁰	12
Z ¹¹	20
Z ¹¹	22
Inhibit	
S ⁴	15
S ⁵	17
S ¹⁰	19
Control	
Read Enable	23
Write Enable	21
Power	
+8 To Drive	18
+6 To Drive	14
Ground	16

9A26

STORAGE
MODULE

1	C32	2	11
2	C36	23	15
3	C32	4	11
4	C36	3	15
5	C33	2	11
6	C35	7	13
7	C33	4	11
8	C23	25	11
9	C34	8	13
10	C23	26	11
11	C34	10	13
12	C25	25	11
13			
14	C25	26	11
15	A26	X	2
16	C25	8	9
17			
18	C24	8	9
19	C34	2	13
20	C22	26	11
21	C34	4	13
22	C22	25	11
23	C33	8	11
24	C25	9	7
25	C33	10	11
26	C35	21	13
27	C32	8	9
28	C36	5	13
29	C32	10	9
30	C36	25	15

JACK PIN LG

FUNCTION	PIN
Address	
S ⁰	22
S ¹	20
S ²	8
S ³	10
S ⁸	12
S ⁹	14
S ¹⁰	18
S ¹¹	16
Store	
Z ²	6
Z ³	26
Z ⁶	28
Z ⁷	4
Z ¹⁰	30
Z ¹¹	2
Read	
Z ⁰	1
Z ¹	3
Z ²¹	27
Z ²¹	29
Z ²⁴	5
Z ²⁴	7
Z ²⁴	23
Z ²⁵	19
Z ²⁵	21
Z ²⁸	9
Z ²⁸	11
Inhibit	
S ¹¹	24
Power	
+5 To Inhibit	13
+5 To Inhibit	17
Ground	15

9A33

STORAGE
MODULE

1	C35	23	11
2	C32	22	11
3	C36	7	11
4	C32	24	23
5	C35	3	9
6	C33	16	11
7	C22	8	15
8	C33	18	11
9	C23	8	15
10	C34	16	9
11	C24	26	15
12	C34	18	9
13	C24	25	15
14			
15	C22	9	15
16	A33	X	2
17	C23	9	15
18			
19	C24	9	13
20	C34	22	9
21	C14	27	23
22	C34	24	9
23	C14	6	29
24	C33	22	9
25	C36	21	9
26	C33	24	9
27	C35	25	9
28	C32	16	9
29	C35	5	7
30	C32	18	9

JACK PIN LG

FUNCTION	PIN
Address	
S ⁴	7
S ⁵	9
S ⁶	13
S ⁷	11
Store	
Z ⁰	29
Z ¹	5
Z ⁴	27
Z ⁵	1
Z ⁸	3
Z ⁹	25
Read	
Z ²	28
Z ²	30
Z ²	2
Z ³	4
Z ⁶	6
Z ⁶	8
Z ⁷	24
Z ⁷	26
Z ¹⁰	10
Z ¹⁰	12
Z ¹¹	20
Z ¹¹	22
Inhibit	
S ⁴	15
S ⁵	17
S ¹⁰	19
Control	
Read Enable	23
Write Enable	21
Power	
+8 To Drive	18
+6 To Drive	14
Ground	16

9A35

STORAGE
MODULE

FUNCTION	PIN
Address	
S ⁰	22
S ¹	20
S ²	8
S ³	10
S ⁸	12
S ⁹	14
S ¹⁰	18
S ¹¹	16
Store	
Z ²	6
Z ³	26
Z ⁶	28
Z ⁷	4
Z ¹⁰	30
Z ¹¹	2
Read	
2 ⁰	1
2 ⁰	3
2 ¹	27
2 ¹	29
2 ⁴	5
2 ⁴	7
2 ⁵	23
2 ⁵	25
2 ⁸	19
2 ⁸	21
2 ⁹	9
2 ⁹	11
Inhibit	
S ¹¹	24
Power	
+5 To Inhibit	13
+5 To Inhibit	17
Ground	15

1	C38	2	11
2	C42	23	15
3	C38	4	11
4	C42	3	11
5	C39	2	11
6	C41	7	13
7	C39	4	11
8	C23	27	17
9	C40	8	11
10	C23	28	17
11	C40	10	11
12	C25	27	15
13			
14	C25	28	15
15	A 35	X	2
16	C25	10	13
17			
18	C24	10	15
19	C40	2	9
20	C22	28	17
21	C40	4	9
22	C22	27	17
23	C39	8	9
24	C25	11	13
25	C39	10	9
26	C41	21	15
27	C38	8	9
28	C42	5	11
29	C38	10	9
30	C42	25	13

JACK PIN LG

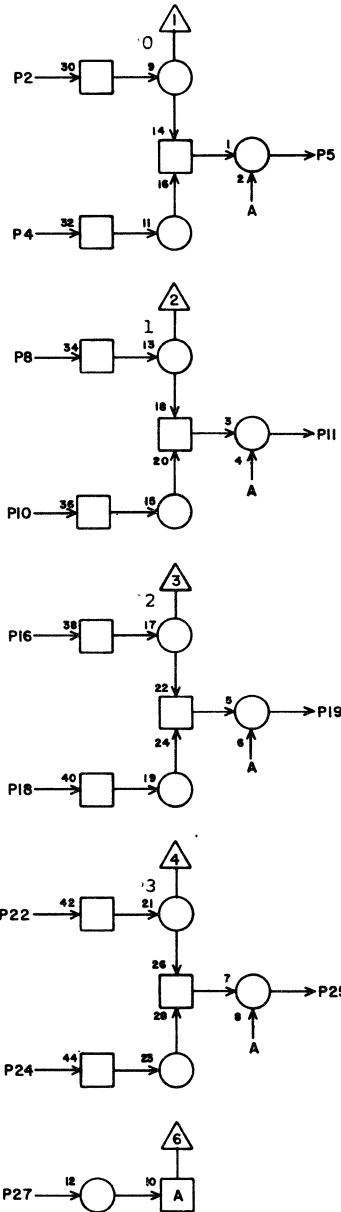
9A42

FUNCTION	PIN
Address	
S ⁴	7
S ⁵	9
S ⁶	13
S ⁷	11
Store	
Z ⁰	29
Z ¹	5
Z ⁴	27
Z ⁵	1
Z ⁸	3
Z ⁹	25
Read	
2 ²	28
2 ²	30
2 ³	2
2 ³	4
2 ⁶	6
2 ⁶	8
2 ⁷	24
2 ⁷	26
2 ¹⁰	10
2 ¹⁰	12
2 ¹¹	20
2 ¹¹	22
Inhibit	
S ⁴	15
S ⁵	17
S ¹⁰	19
Control	
Read Enable	23
Write Enable	21
Power	
+8 To Drive	18
+6 To Drive	14
Ground	16

1	C41	23	11
2	C38	22	13
3	C42	7	9
4	C38	24	13
5	C41	3	9
6	C39	16	11
7	C22	10	23
8	C39	18	11
9	C23	10	21
10	C40	16	9
11	C24	28	21
12	C40	18	9
13	C24	27	21
14			
15	C22	11	23
16	A 42	X	2
17	C23	11	21
18			
19	C24	11	19
20	C40	2	9
21	C14	28	29
22	C40	24	9
23	C14	7	29
24	C39	22	9
25	C42	21	9
26	C39	24	9
27	C41	25	9
28	C38	16	9
29	C41	5	7
30	C38	18	9

JACK PIN LG

BANK 10 SENSE



SENSE P27

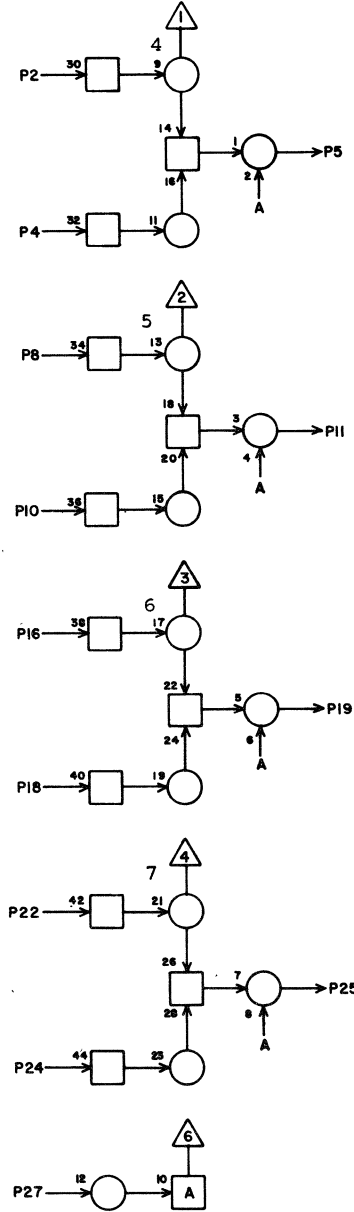
PS 9C 1

1			
2	A 1	1	9
3			
4	A 1	3	9
5	H19	11	29
6			
7			
8	A 1	27	7
9			
10	A 1	29	7
11	H19	7	27
12			
13			
14			
15			
16	A 8	28	11
17			
18	A 8	30	11
19	H19	23	27
20			
21			
22	A 8	2	13
23			
24	A 8	4	13
25	H20	11	27
26	C14	15	15
27	C18	5	19
28	C 2	26	3

JACK PIN LG

63017100 Rev. D

BANK 10 SENSE



SENSE P27

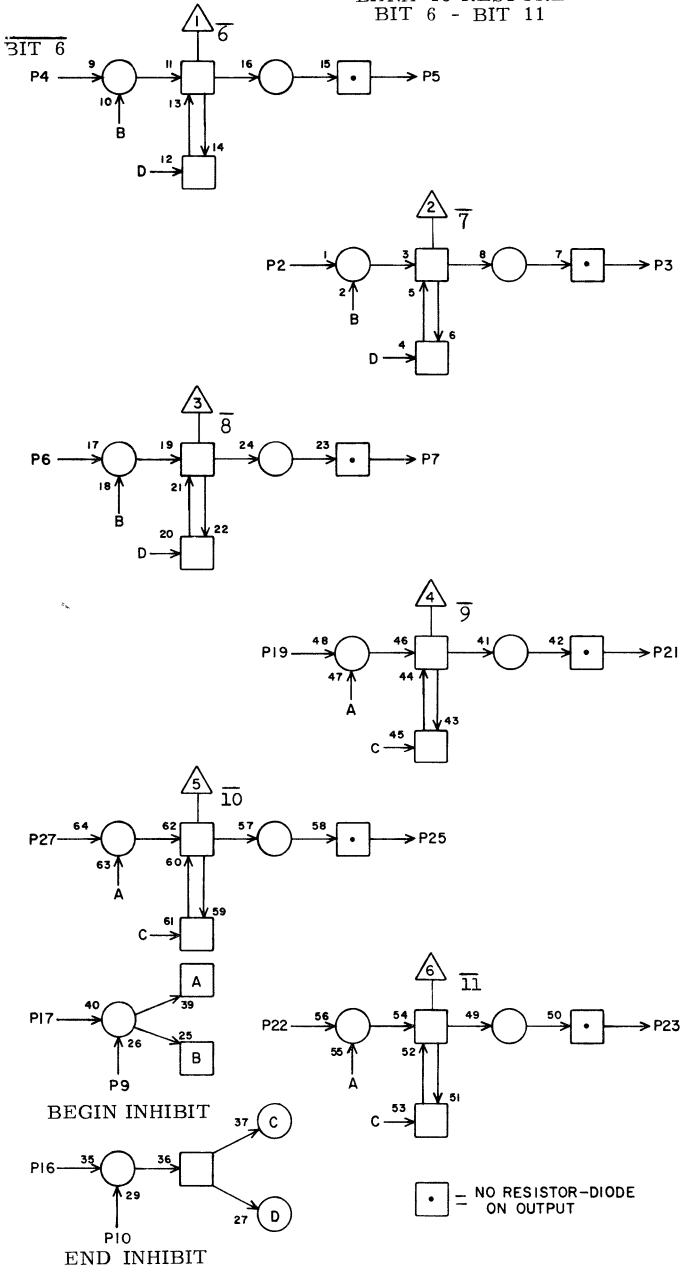
PS 9C 2

1			
2	A 1	5	9
3			
4	A 1	7	9
5	H20	7	27
6			
7			
8	A 1	23	7
9			
10	A 1	25	7
11	H20	23	29
12			
13			
14			
15			
16	A 8	6	13
17			
18	A 8	8	13
19	H21	11	27
20			
21			
22	A 8	24	11
23			
24	A 8	26	11
25	H21	7	27
26	C 1	28	3
27	C18	7	17
28	C 3	26	3

JACK PIN LG

63017100 Rev. D

BANK 10 RESTORE
BIT 6 - BIT 11

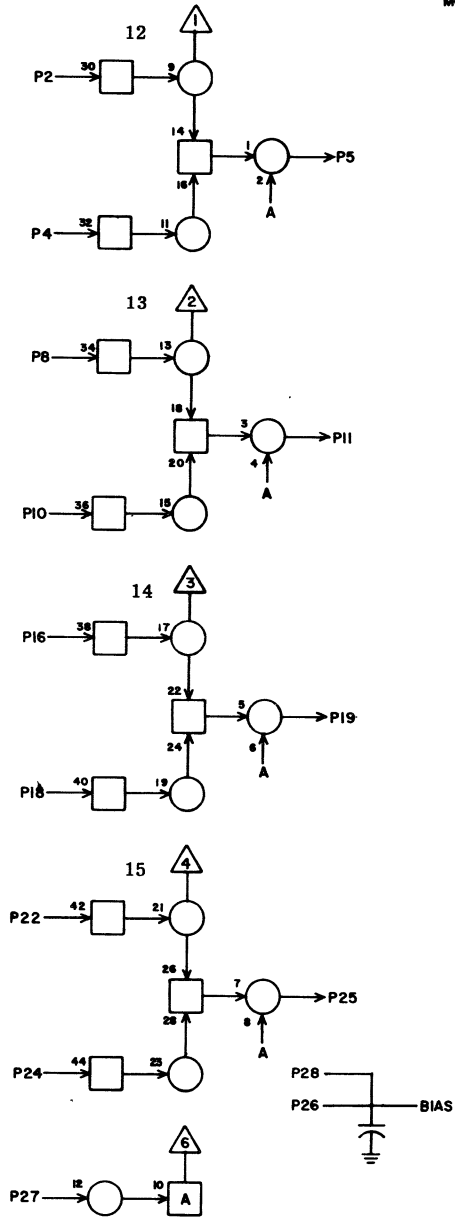


SPECIAL MODULE PZ 9 C 5

1			
2	G 2	23	21
3	A 1	4	11
4	G 2	24	21
5	A 1	28	9
6	G 3	3	19
7	A 8	3	11
8			
9	C20	8	17
10	C20	18	17
11			
12			
13			
14			
15			
16	C21	20	17
17	C21	2	17
18			
19	G 3	7	17
20			
21	A 8	25	9
22	G 3	23	17
23	A 1	2	13
24			
25	A 1	30	9
26			
27	G 3	24	17
28			

JACK PIN LG

BANK 10 SENSE

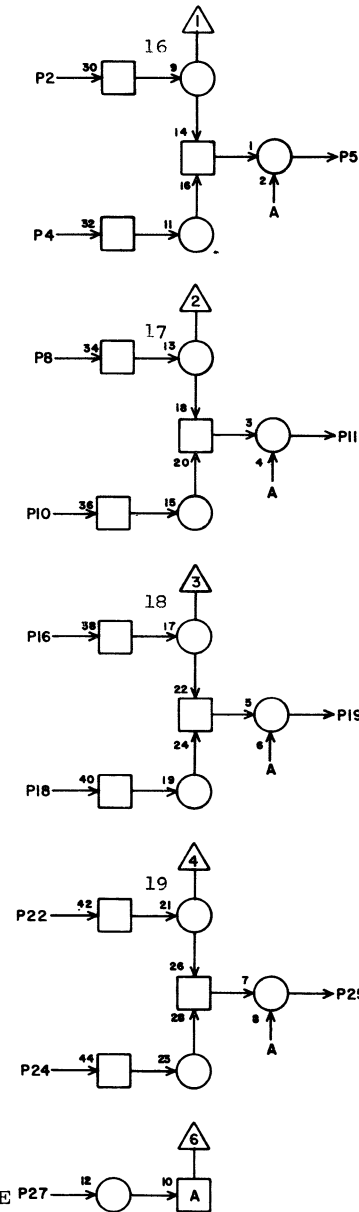


SENSE

1			
2	A10	1	11
3			
4	A10	3	11
5	H24	11	27
6			
7			
8	A10	27	9
9			
10	A10	29	9
11	H24	7	27
12			
13			
14			
15			
16	A16	28	13
17			
18	A16	30	13
19	H24	23	27
20			
21			
22	A16	2	15
23			
24	A16	4	15
25	H25	11	27
26	C 3	28	7
27	C18	11	13
28	C 8	26	3

JACK PIN LG
CIRCUIT SPECIFICATION I1827600

BANK 10 SENSE

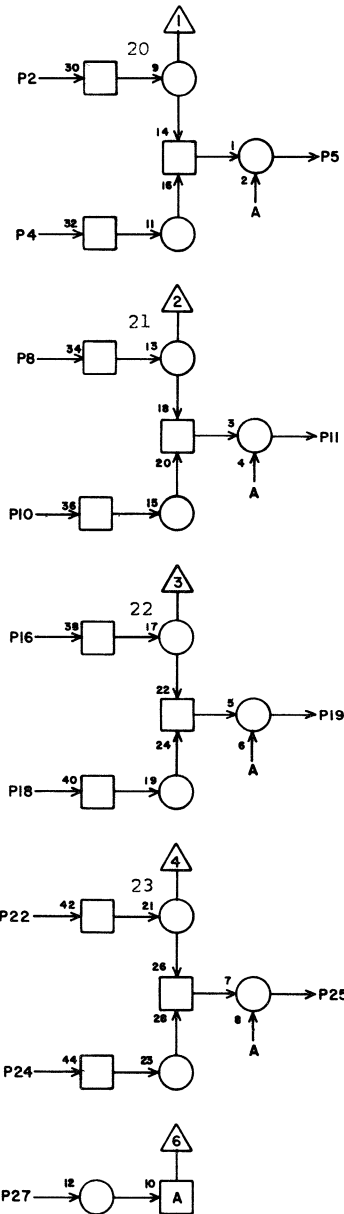


SENSE

1			
2	A10	5	9
3			
4	A10	7	9
5	H25	7	27
6			
7			
8	A10	23	7
9			
10	A10	25	7
11	H25	23	27
12			
13			
14			
15			
16	A16	6	13
17			
18	A16	8	13
19	H26	11	27
20			
21			
22	A16	24	13
23			
24	A16	26	13
25	H26	7	27
26	C 7	28	3
27	C18	13	13
28	C 9	26	3

JACK PIN LG

BANK 10 SENSE

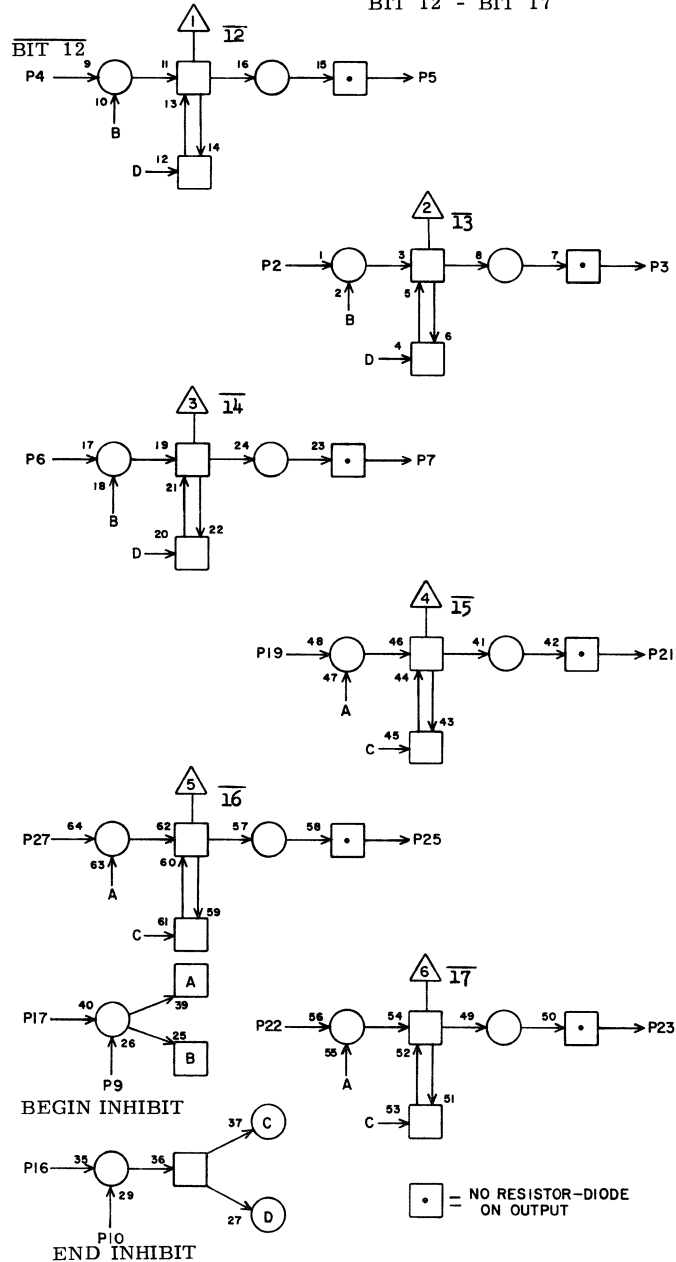


PS 9C 9

JACK	PIN	LG
1		
2	A10	19 7
3		
4	A10	21 7
5	H26	23 29
6		
7		
8	A10	9 9
9		
10	A10	11 9
11	H27	11 27
12		
13		
14		
15		
16	A16	10 13
17		
18	A16	12 13
19	H27	7 27
20		
21		
22	A16	20 13
23		
24	A16	22 13
25	H27	23 27
26	C 8	28 3
27	C18	16 11
28	C26	26 19

63017100 Rev. D

BANK 10 RESTORE
BIT 12 - BIT 17



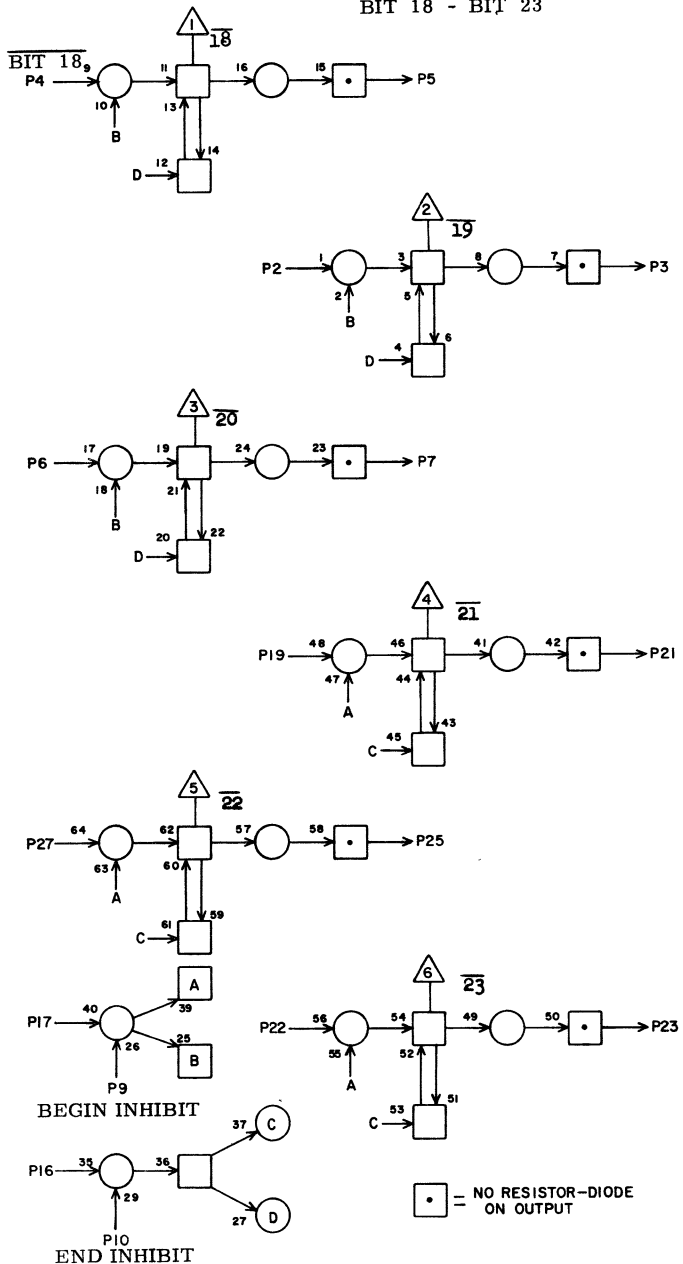
SPECIAL MODULE PZ 9 C10

1			
2	G 5	7 19	
3	A16	5 11	
4	G 5	3 19	
5	A16	29 11	
6	G 5	24 21	
7	A10	6 9	
8			
9	C20	10 13	
10	C20	20 13	
11			
12			
13			
14			
15			
16	C21	21 13	
17	C21	4 13	
18			
19	G 5	23 19	
20			
21	A10	26 9	
22	G 6	7 17	
23	A16	1 13	
24			
25	A16	27 11	
26			
27	G 6	3 17	
28			

JACK PIN LG

63017100 Rev. D

BANK 10 RESTORE
BIT 18 - BIT 23

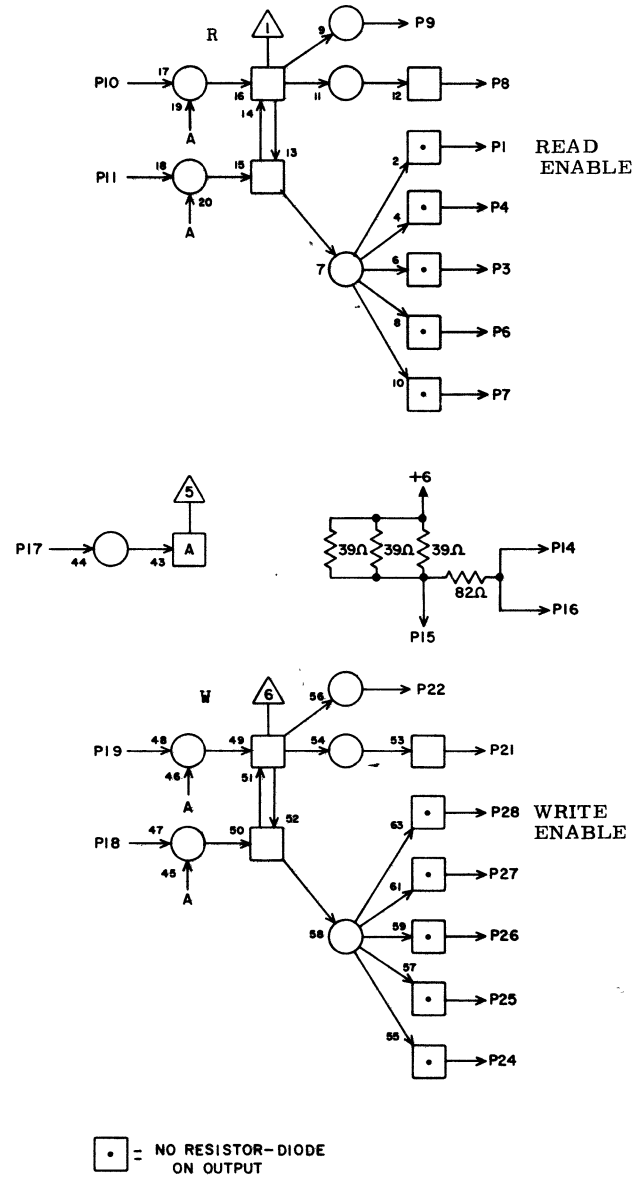


SPECIAL MODULE P2 9 C11

1			
2	G 6	23	19
3	A10	4	9
4	G 6	24	21
5	A10	28	7
6	G 7	3	17
7	A16	3	11
8			
9	C20	12	11
10	C20	22	13
11			
12			
13			
14			
15			
16	C21	22	13
17	C21	6	13
18			
19	G 7	7	17
20			
21	A16	25	11
22	G 7	23	19
23	A10	2	11
24			
25	A10	30	9
26			
27	G 7	24	17
28			

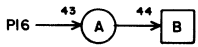
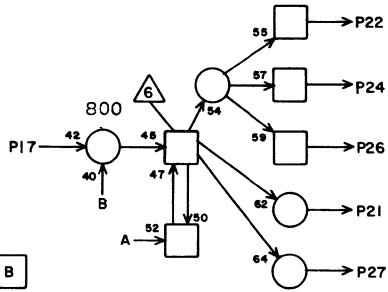
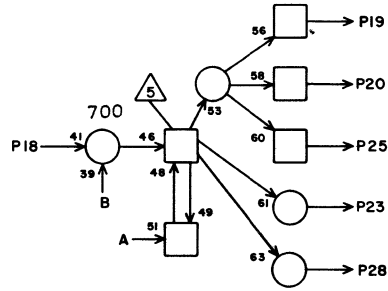
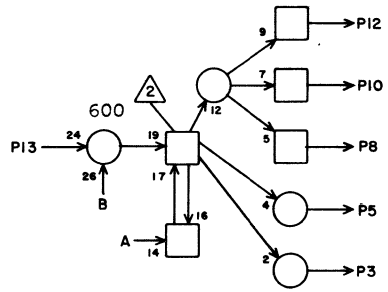
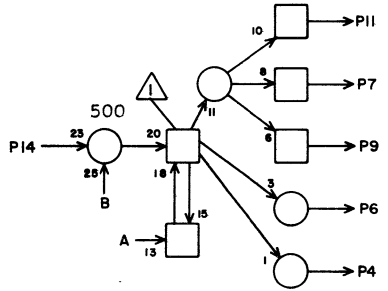
JACK PIN LG

BANK 10
STORAGE SEQUENCE CONTROL



SPECIAL MODULE		PU	
9C14			
1	A 8	23	29
2			
3	A16	23	29
4	A25	23	29
5			
6	A33	23	29
7	A42	23	29
8	F13	3	39
9	G29	3	23
10	G39	25	39
11	C16	26	120
12			
13			
14	W11	97	
15	C 1	26	15
16	F14	14	13
17	GND	X	2
18	C17	6	7
19	F13	6	180
20			
21	C17	13	7
22	G29	1	23
23			
24	A 8	21	11
25	A16	21	11
26	A25	21	15
27	A33	21	23
28	A42	21	29
JACK	PIN	LG	

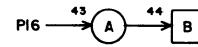
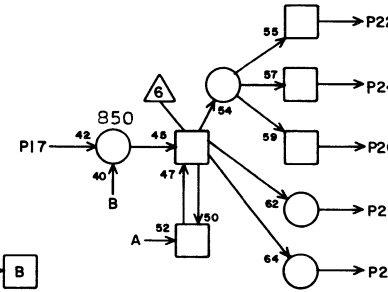
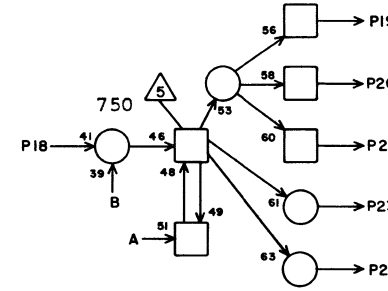
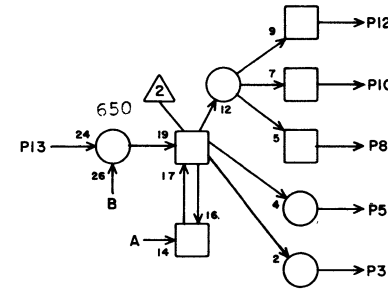
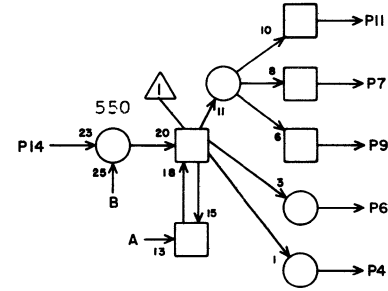
BANK 10
STORAGE SEQUENCE CONTROL



PD 9C 15			
JACK	PIN	LG	
1			
2			
3			
4			
5			
6			
7			
8	C16	13	3
9			
10			
11	C16	14	3
12			
13	C16	7	3
14	F13	4	39
15			
16	G21	17	19
17	C16	20	3
18	C16	8	3
19			
20	C16	18	3
21			
22	C16	17	3
23			
24			
25			
26			
27			
28			

63017100 Rev. R

BANK 10
STORAGE SEQUENCE CONTROL



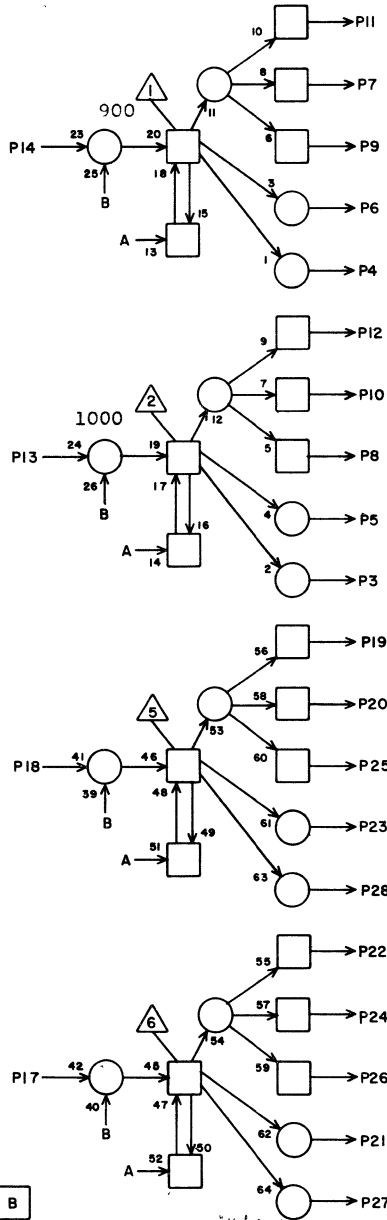
PD 9C 16			
JACK	PIN	LG	
1			
2			
3			
4			
5			
6			
7	C15	13	3
8	C15	18	3
9	C19	3	7
10	C18	1	5
11			
12			
13	C15	8	3
14	C15	11	3
15			
16	C21	18	7
17	C15	22	3
18	C15	20	3
19			
20	C15	17	3
21	C19	2	7
22	C17	14	3
23	G29	5	21
24	C19	1	5
25			
26	C14	11	20
27			
28	C18	3	7

63017100 Rev. R

BANK 10
STORAGE SEQUENCE CONTROL

PD

9c 17



1			
2			
3			
4			
5			
6	C14	18	7
7	F13	5	108
8			
9			
10			
11			
12			
13	C14	21	7
14	C16	22	3
15			
16	G21	18	19
17			
18			
19			
20			
21			
22			
23			
24			
25			
26			
27			
28			

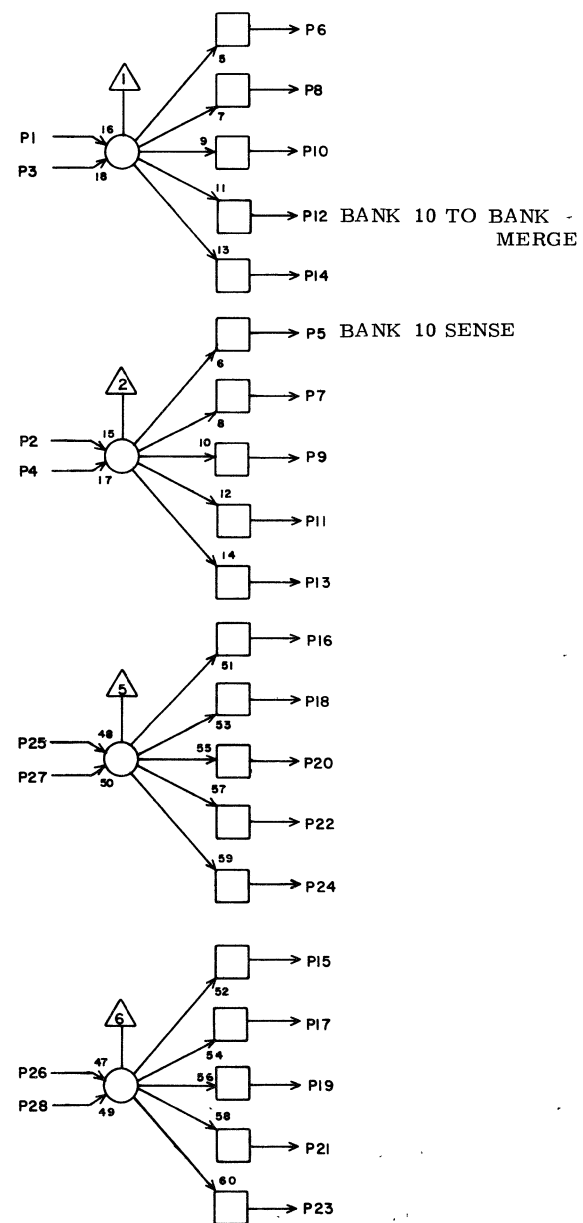
JACK PIN LG

63017100 Rev. M

BANK 10
STORAGE SEQUENCE CONTROL
sense amplifier gates

TD

9c18



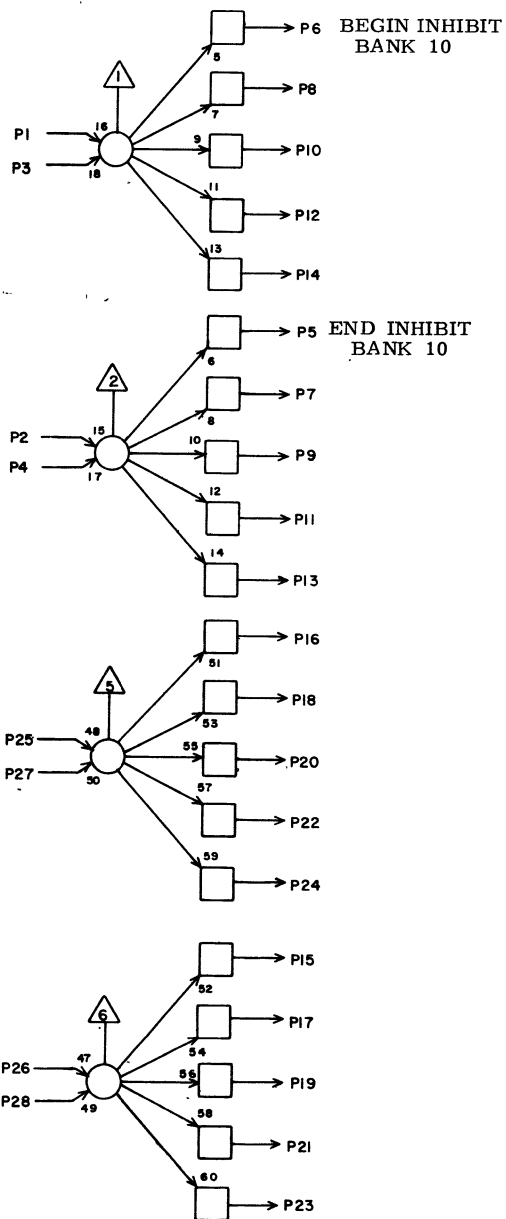
1	C16	10	5
2	C18	6	3
3	C16	28	7
4	C18	X	2
5	C 1	27	19
6	C18	2	3
7	C 2	27	17
8	C18	25	3
9	C 3	27	17
10	C18	26	3
11	C 7	27	13
12	G24	14	21
13	C 8	27	13
14			
15	C33	27	17
16	C 9	27	11
17	C34	27	17
18	C26	27	11
19	C38	27	21
20	C27	27	13
21	C39	27	21
22	C28	27	13
23	C40	27	23
24	C32	27	17
25	C18	8	3
26	C18	10	3
27	C18	X	2
28	C18	X	2

JACK PIN LG

63017100 Rev. M

BANK 10
STORAGE SEQUENCE CONTROL

T D 9 C19



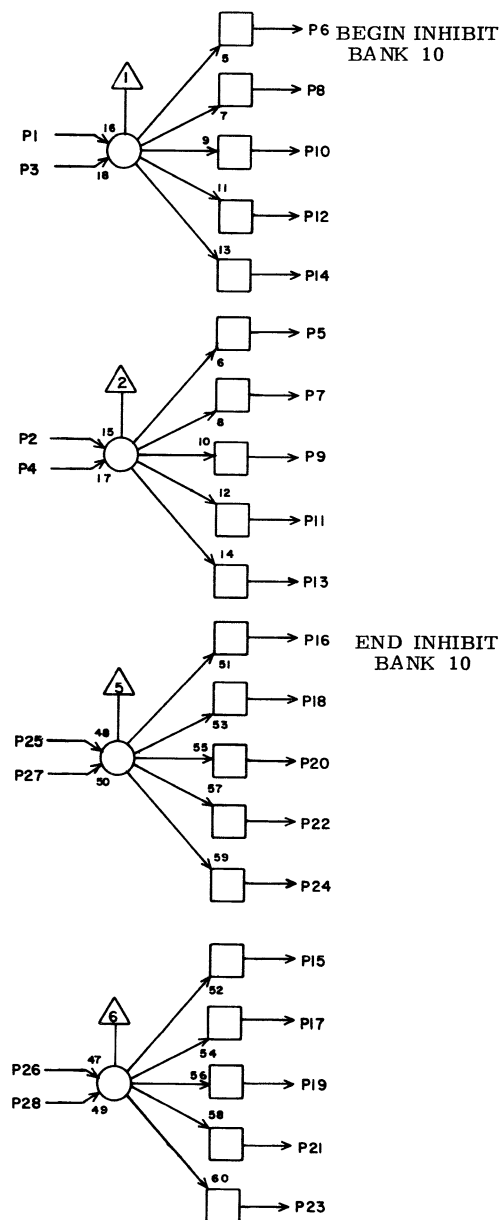
1	C16	24	5
2	C16	21	7
3	C16	9	7
4	C19	X	2
5	C20	25	5
6	C20	3	3
7	C20	26	3
8	C20	2	5
9			
10			
11			
12			
13			
14			
15			
16			
17			
18			
19			
20			
21			
22			
23			
24			
25			
26			
27			
28			

JACK PIN LG

63017100 Rev. D

BANK 10
STORAGE SEQUENCE CONTROL

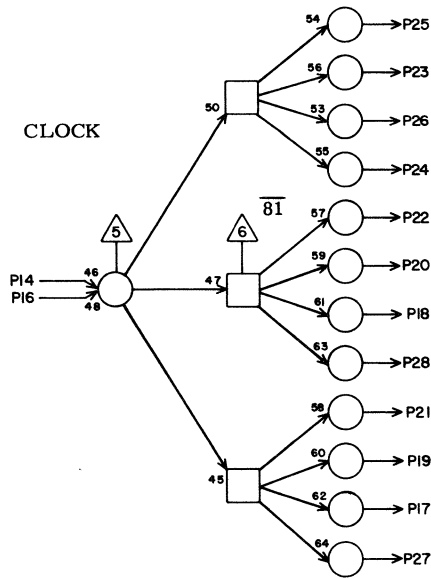
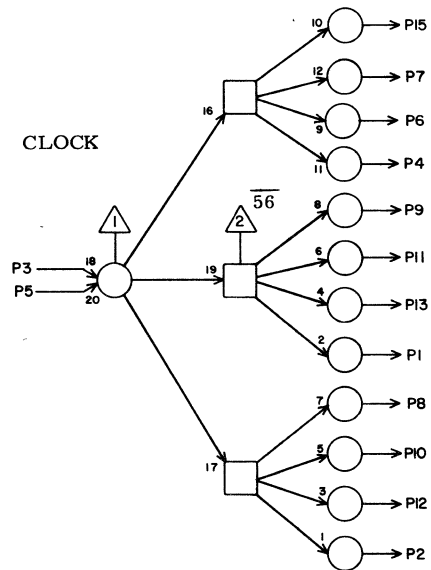
T D 9 C20



1	C20	X	2
2	C19	8	5
3	C19	6	3
4	C20	X	2
5	C30	9	13
6	C 4	9	17
7	C35	9	17
8	C 5	9	17
9	C36	9	17
10	C10	9	13
11	C41	9	23
12	C11	9	11
13	C42	9	23
14	C29	9	13
15	C30	10	13
16	C 4	10	17
17	C35	10	17
18	C 5	10	17
19	C36	10	17
20	C10	10	13
21	C41	10	21
22	C11	10	13
23	C42	10	23
24	C29	10	13
25	C19	5	5
26	C19	7	3
27	C20	X	2
28	C20	X	2

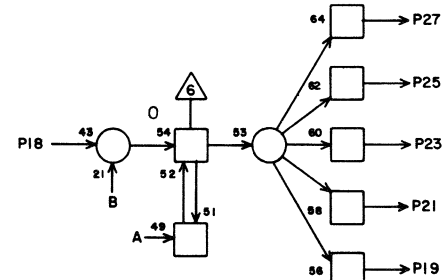
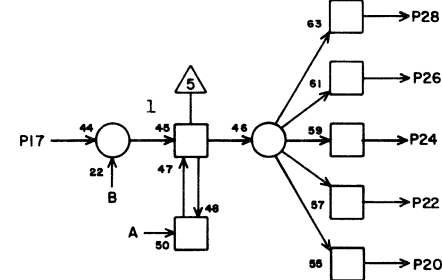
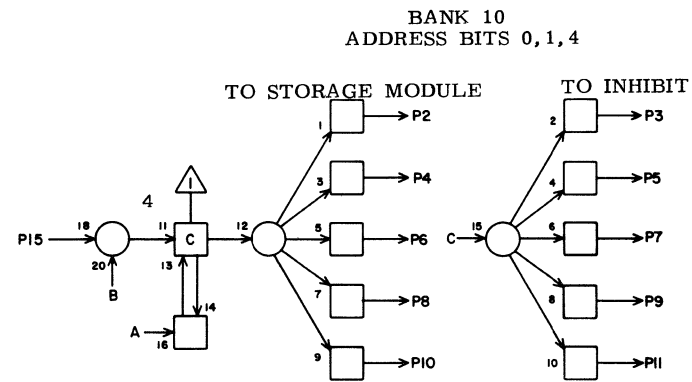
JACK PIN LG

63017100 Rev. D



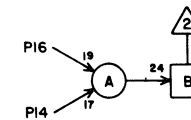
TC		9 C21	
JACK	PIN	LG	
1	C 4	17	19
2	C 5	17	17
3	G32	18	37
4	C10	17	13
5	C21	X	2
6	C11	17	13
7	C29	17	11
8	C30	17	13
9	C35	17	17
10	C36	17	17
11	C41	17	21
12	C42	17	23
13			
14	G32	22	39
15			
16	C21	X	2
17			
18	C16	16	7
19	C 4	16	19
20	C 5	16	17
21	C10	16	13
22	C11	16	13
23	C29	16	11
24	C30	16	11
25	C35	16	15
26	C36	16	17
27	C41	16	21
28	C42	16	23

63017100 Rev. N



10 FREE

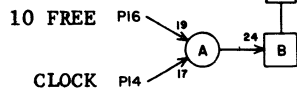
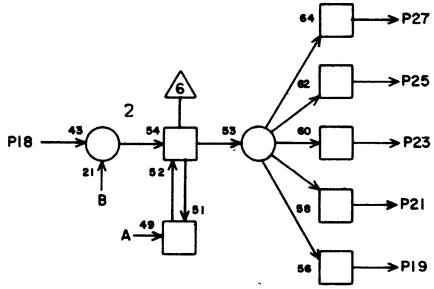
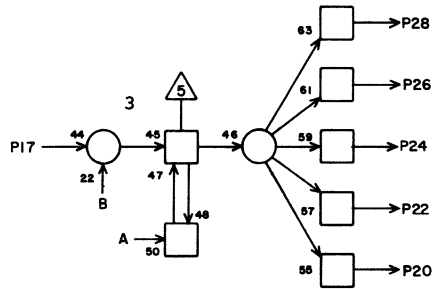
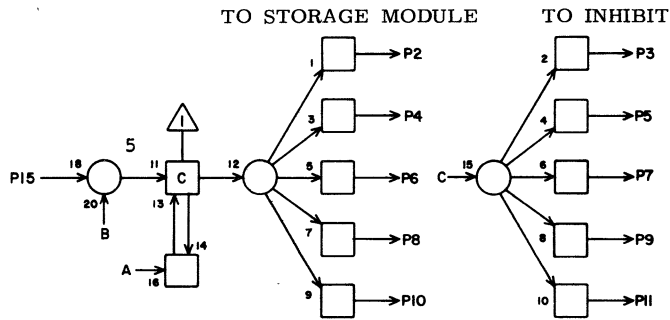
CLOCK



SA		9C 22	
JACK	PIN	LG	
1			
2	A 8	7	17
3	A 8	15	17
4	A16	7	11
5	A16	15	11
6	A25	7	9
7	A25	15	9
8	A33	7	15
9	A33	15	15
10	A42	7	23
11	A42	15	23
12			
13			
14	G21	1	17
15	G41	3	25
16	G26	8	17
17	G40	7	25
18	G40	3	25
19	A 1	22	23
20	A 1	20	23
21	A10	22	17
22	A10	20	15
23	A18	22	11
24	A18	20	11
25	A26	22	11
26	A26	20	11
27	A35	22	17
28	A35	20	17

63017100 Rev. D

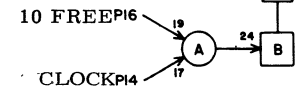
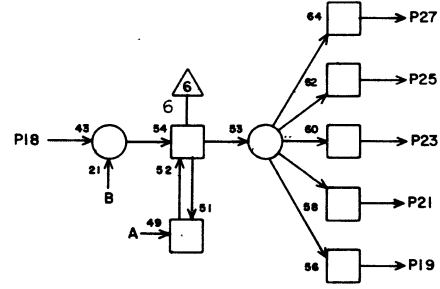
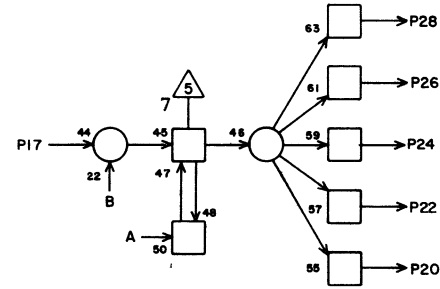
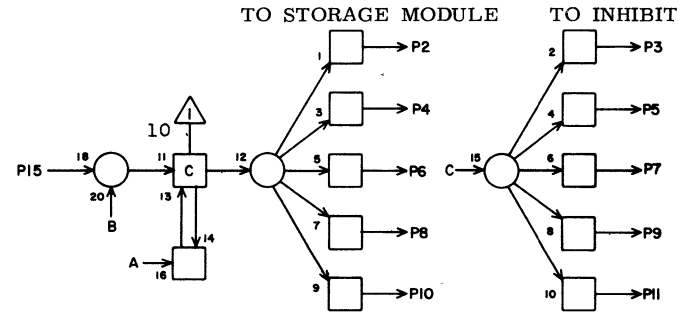
BANK 10
ADDRESS BITS 2, 3, 5



SA 9C 23

JACK	PIN	LG
1		
2	A 8	9 17
3	A 8	17 17
4	A16	9 11
5	A16	17 11
6	A25	9 9
7	A25	17 9
8	A33	9 15
9	A33	17 15
10	A42	9 21
11	A42	17 21
12		
13		
14	G21	2 21
15	G41	7 25
16	G26	10 19
17	G40	20 25
18	G40	24 25
19	A 1	8 25
20	A 1	10 21
21	A10	8 17
22	A10	10 17
23	A18	8 13
24	A18	10 13
25	A26	8 11
26	A26	10 11
27	A35	8 17
28	A35	10 17

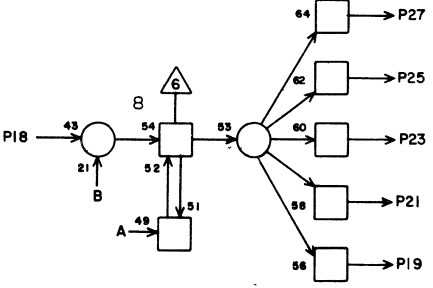
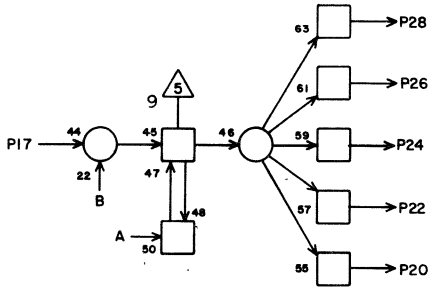
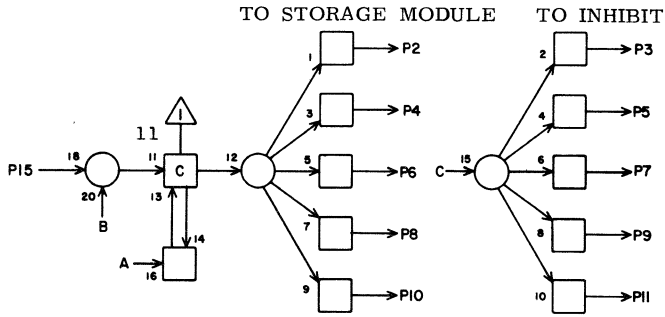
BANK 10
ADDRESS BITS 6, 7, 10



SA 9C 24

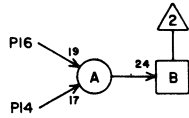
JACK	PIN	LG
1		
2	A 1	18 25
3	A 8	19 17
4	A10	18 17
5	A16	19 13
6	A18	18 11
7	A25	19 9
8	A26	18 9
9	A33	19 13
10	A35	18 15
11	A42	19 19
12		
13		
14	G21	4 17
15	G42	24 25
16	G26	12 19
17	G41	20 25
18	G41	24 25
19	A 8	13 19
20	A 8	11 19
21	A16	13 13
22	A16	11 13
23	A25	13 11
24	A25	11 11
25	A33	13 15
26	A33	11 15
27	A42	13 21
28	A42	11 21

BANK 10
ADDRESS BITS 8, 9, 11



10 FREE

CLOCK



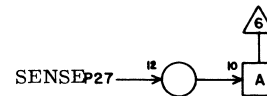
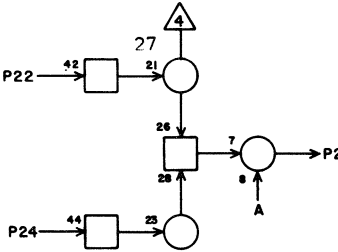
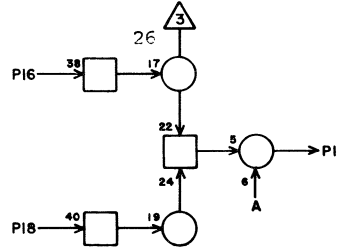
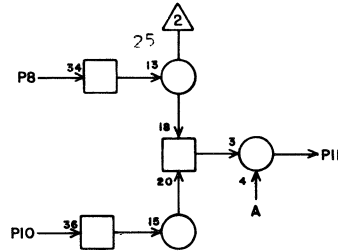
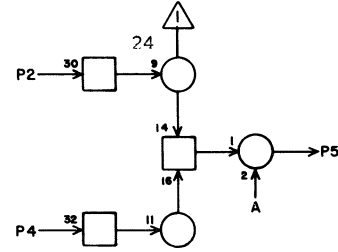
SA 9C 25

1			
2	A 1	16	25
3	A 1	24	25
4	A10	16	17
5	A10	24	17
6	A18	16	9
7	A18	24	9
8	A26	16	9
9	A26	24	7
10	A35	16	13
11	A35	24	13
12			
13			
14	G21	6	19
15	G42	20	25
16	G26	14	19
17	G42	7	25
18	G42	3	25
19	A 1	12	25
20	A 1	14	25
21	A10	12	19
22	A10	14	19
23	A18	12	13
24	A18	14	13
25	A26	12	11
26	A26	14	11
27	A35	12	15
28	A35	14	15

JACK PIN LG

63017100 Rev. K

BANK 10 SENSE



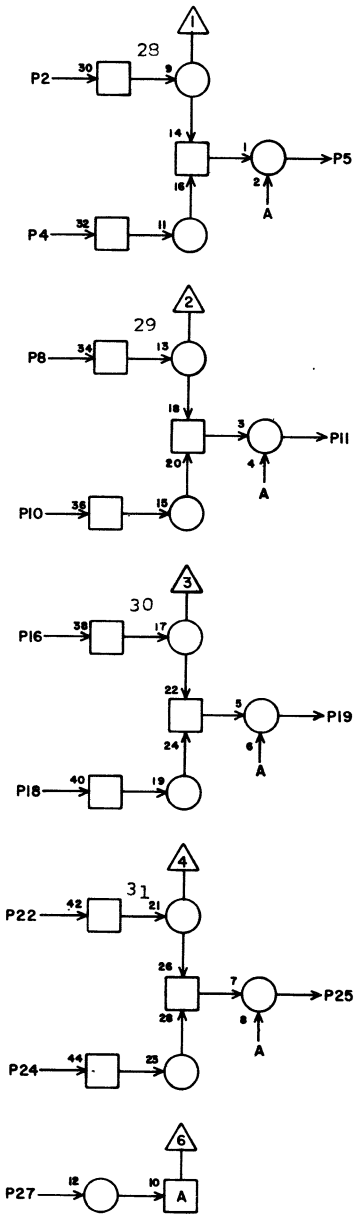
PS 9C 26

1			
2	A18	1	13
3			
4	A18	3	13
5	H29	11	23
6			
7			
8	A18	27	11
9			
10	A18	29	11
11	H29	7	23
12			
13			
14			
15			
16	A25	28	9
17			
18	A25	30	9
19	H29	23	23
20			
21			
22	A25	2	11
23			
24	A25	4	11
25	H30	11	21
26	C 9	28	19
27	C18	18	11
28	C27	26	3

JACK PIN LG

63017100 Rev.D

BANK 10 SENSE



SENSE

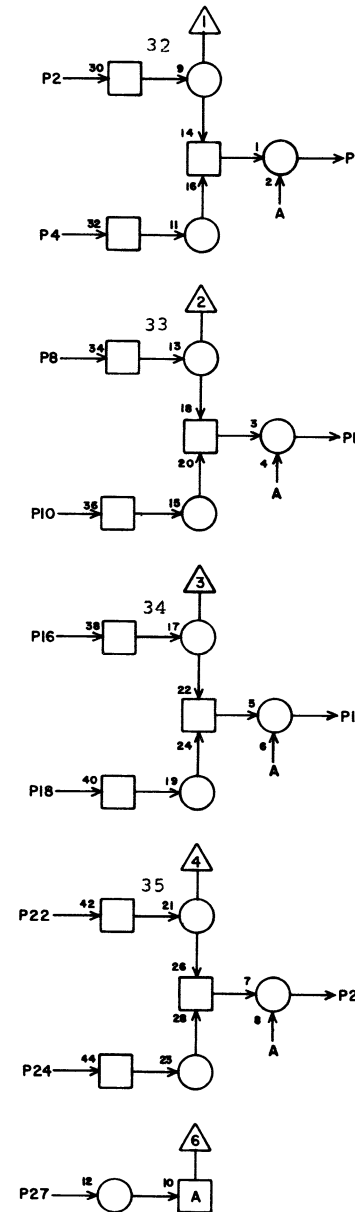
PS 9c 27

1			
2	A18	5	13
3			
4	A18	7	13
5	H30	7	23
6			
7			
8	A18	23	13
9			
10	A18	25	13
11	H30	23	23
12			
13			
14			
15			
16	A25	6	11
17			
18	A25	8	11
19	H31	11	23
20			
21			
22	A25	24	9
23			
24	A25	26	9
25	H31	7	21
26	C26	28	3
27	C18	20	13
28	C28	26	3

JACK PIN LG

63017100 Rev. D

BANK 10 SENSE



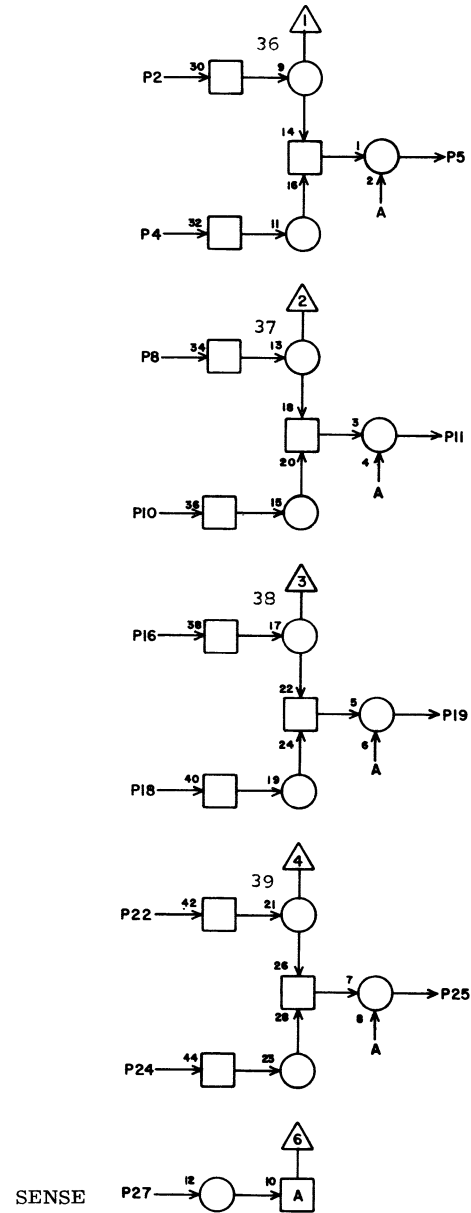
PS 9c 28

1			
2	A18	19	13
3			
4	A18	21	13
5	H31	23	23
6			
7			
8	A18	9	15
9			
10	A18	11	15
11	H32	11	23
12			
13			
14			
15			
16	A25	10	11
17			
18	A25	12	11
19	H32	7	21
20			
21			
22	A25	20	11
23			
24	A25	22	11
25	H32	23	23
26	C27	28	3
27	C18	22	13
28	C32	26	7

JACK PIN LG

63017100 Rev. D

BANK 10 SENSE



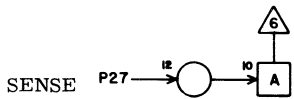
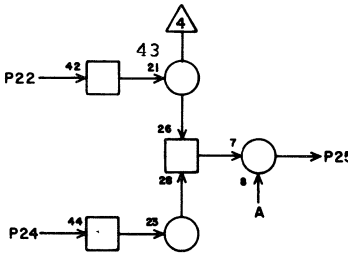
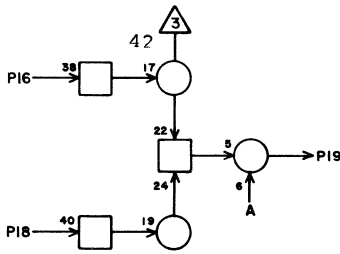
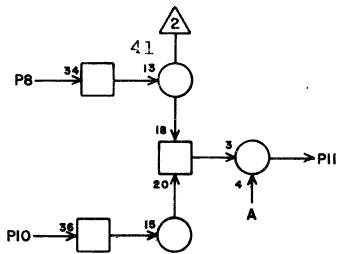
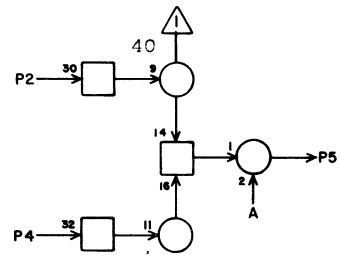
PS 9C 32

1			
2	A26	1	11
3			
4	A26	3	11
5	H34	11	23
6			
7			
8	A26	27	9
9			
10	A26	29	9
11	H34	7	23
12			
13			
14			
15			
16	A33	29	9
17			
18	A33	30	9
19	H34	23	23
20			
21			
22	A33	2	11
23			
24	A33	4	23
25	H35	11	21
26	C28	28	7
27	C18	24	17
28	C33	26	3

JACK PIN LG

63017100 Rev.D

BANK 10 SENSE



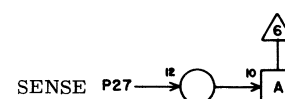
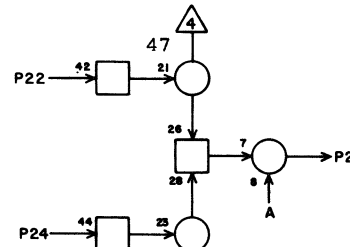
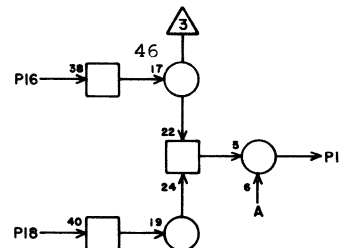
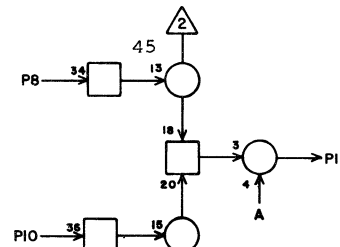
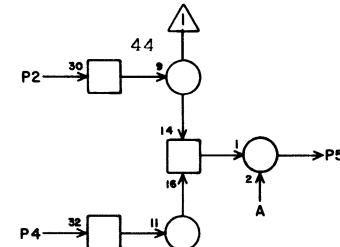
PS 9C 33

1			
2	A26	5	11
3			
4	A26	7	11
5	H35	7	23
6			
7			
8	A26	23	11
9			
10	A26	25	11
11	H35	23	23
12			
13			
14			
15			
16	A33	6	11
17			
18	A33	8	11
19	H36	11	21
20			
21			
22	A33	24	9
23			
24	A33	26	9
25	H36	7	21
26	C32	28	3
27	C18	15	17
28	C34	26	3

JACK PIN LG

63017100 Rev. D

BANK 10 SENSE



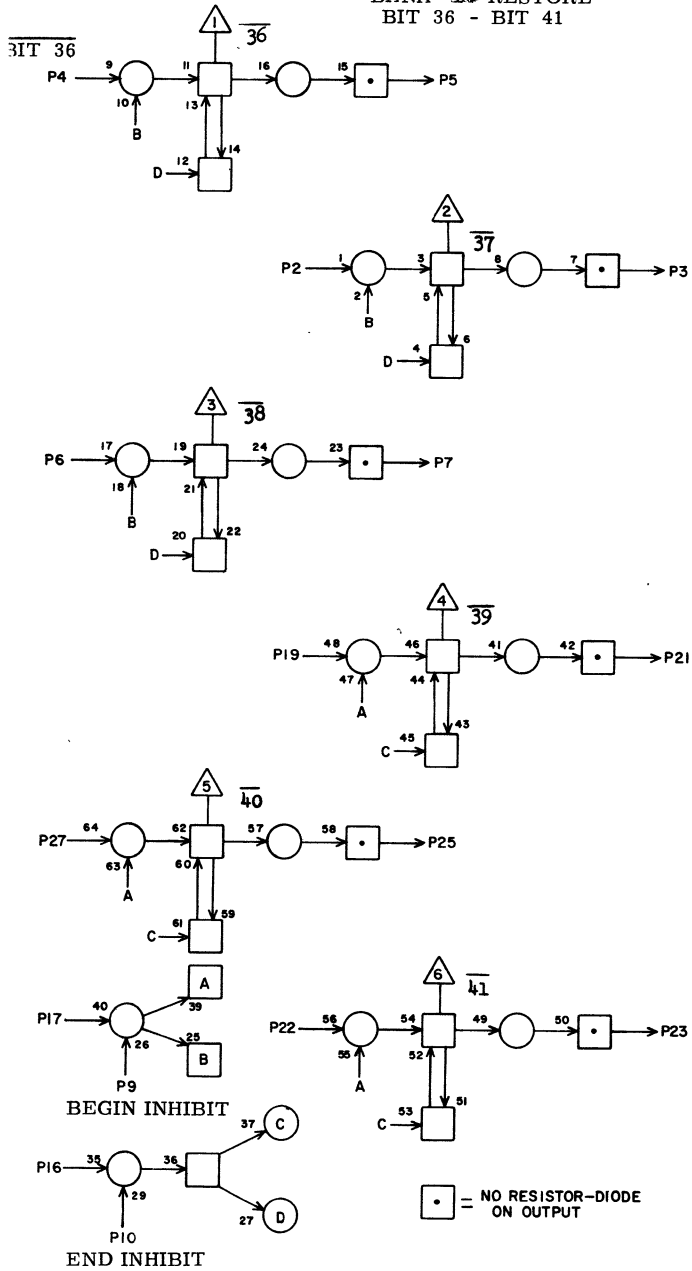
PS 9C 34

1			
2	A26	19	13
3			
4	A26	21	13
5	H36	23	23
6			
7			
8	A26	9	13
9			
10	A26	11	13
11	H37	11	23
12			
13			
14			
15			
16	A33	10	9
17			
18	A33	12	9
19	H37	7	21
20			
21			
22	A33	20	9
23			
24	A33	22	9
25	H37	23	23
26	C33	28	3
27	C18	17	17
28	C38	26	7

JACK PIN LG

63017100 Rev. D

BANK 10 RESTORE
BIT 36 - BIT 41



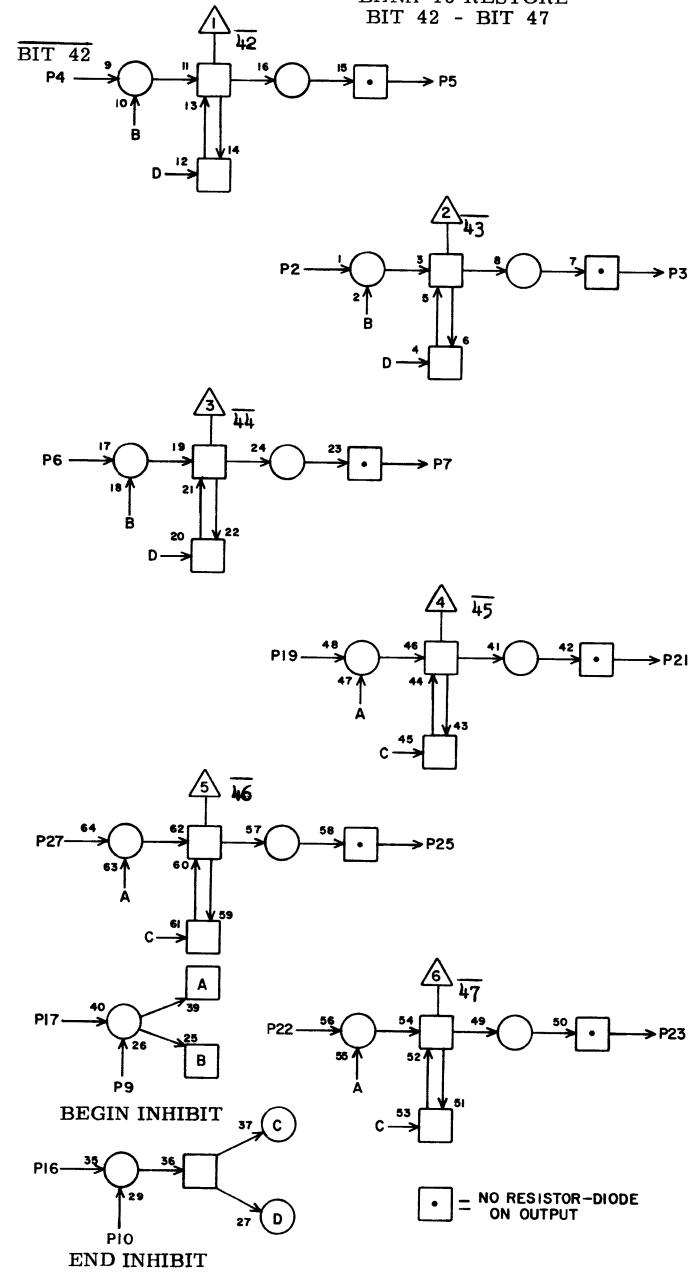
SPECIAL MODULE PZ 9C35

1			
2	G13	7	27
3	A33	5	9
4	G13	3	27
5	A33	29	7
6	G13	24	29
7	A26	6	13
8			
9	C20	7	17
10	C20	17	17
11			
12			
13			
14			
15			
16	C21	25	15
17	C21	9	17
18			
19	G13	23	27
20			
21	A26	26	13
22	G14	7	27
23	A33	1	11
24			
25	A33	27	9
26			
27	G14	3	25
28			

JACK PIN LG

63017100 Rev. D

BANK 10 RESTORE
BIT 42 - BIT 47



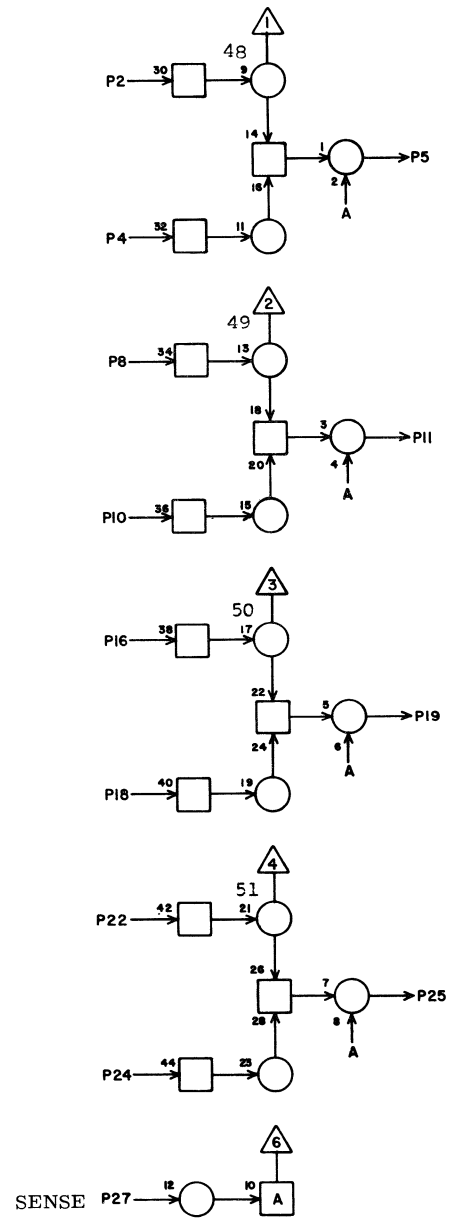
SPECIAL MODULE PZ 9C36

1			
2	G14	23	29
3	A26	4	15
4	G14	24	29
5	A26	28	13
6	G15	3	27
7	A33	3	11
8			
9	C20	9	17
10	C20	19	17
11			
12			
13			
14			
15			
16	C21	26	17
17	C21	10	17
18			
19	G15	7	27
20			
21	A22	25	9
22	G15	23	27
23	A26	2	15
24			
25	A26	30	15
26			
27	G15	24	27
28			

JACK PIN LG

63017100 Rev. D

BANK 10 SENSE



PS

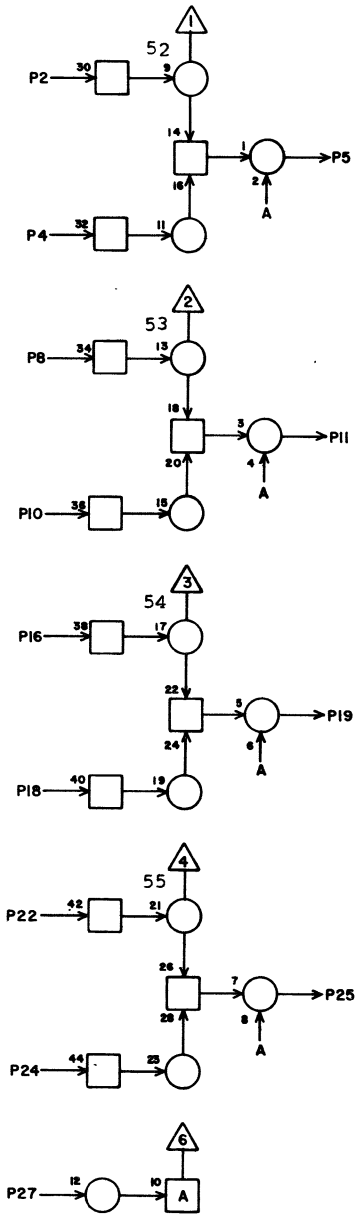
9C 38

1			
2	A35	1	11
3			
4	A35	3	11
5	H39	11	23
6			
7			
8	A35	27	9
9			
10	A35	29	9
11	H39	7	23
12			
13			
14			
15			
16	A42	28	9
17			
18	A42	30	9
19	H39	23	23
20			
21			
22	A42	2	13
23			
24	A42	4	13
25	H40	11	21
26	C34	28	7
27	C18	19	21
28	C39	26	3

JACK PIN LG

63017100 Rev. D

BANK 10 SENSE



SENSE P27

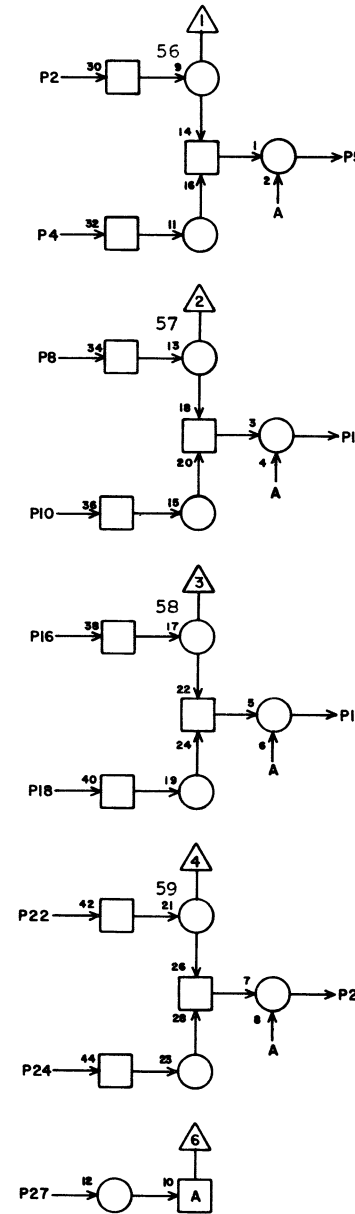
PS 9 C39

1			
2	A35	5	11
3			
4	A35	7	11
5	H40	7	23
6			
7			
8	A35	23	9
9			
10	A35	25	9
11	H40	23	23
12			
13			
14			
15			
16	A42	6	11
17			
18	A42	8	11
19	H41	11	21
20			
21			
22	A42	24	9
23			
24	A42	26	9
25	H41	7	21
26	C38	28	3
27	C18	21	21
28	C40	26	3

JACK PIN LG

63017100 Rev. D

BANK 10 SENSE



SENSE P27

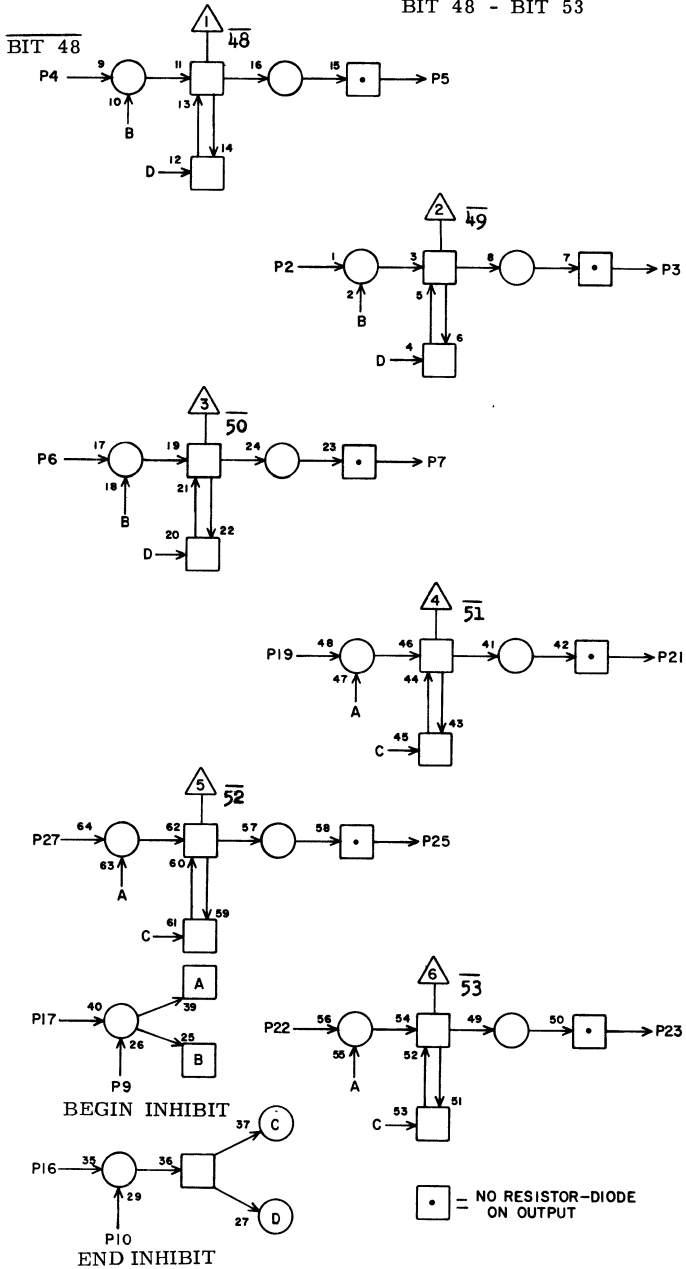
PS 9 C40

1			
2	A35	19	9
3			
4	A35	21	9
5	H41	23	23
6			
7			
8	A35	9	11
9			
10	A35	11	11
11	H42	11	23
12			
13			
14			
15			
16	A42	10	9
17			
18	A42	12	9
19	H42	7	21
20			
21			
22	A42	20	9
23			
24	A42	22	9
25	H42	23	23
26	C39	28	3
27	C18	23	23
28			

JACK PIN LG

63017100 Rev. D

BANK 10 RESTORE
BIT 48 - BIT 53



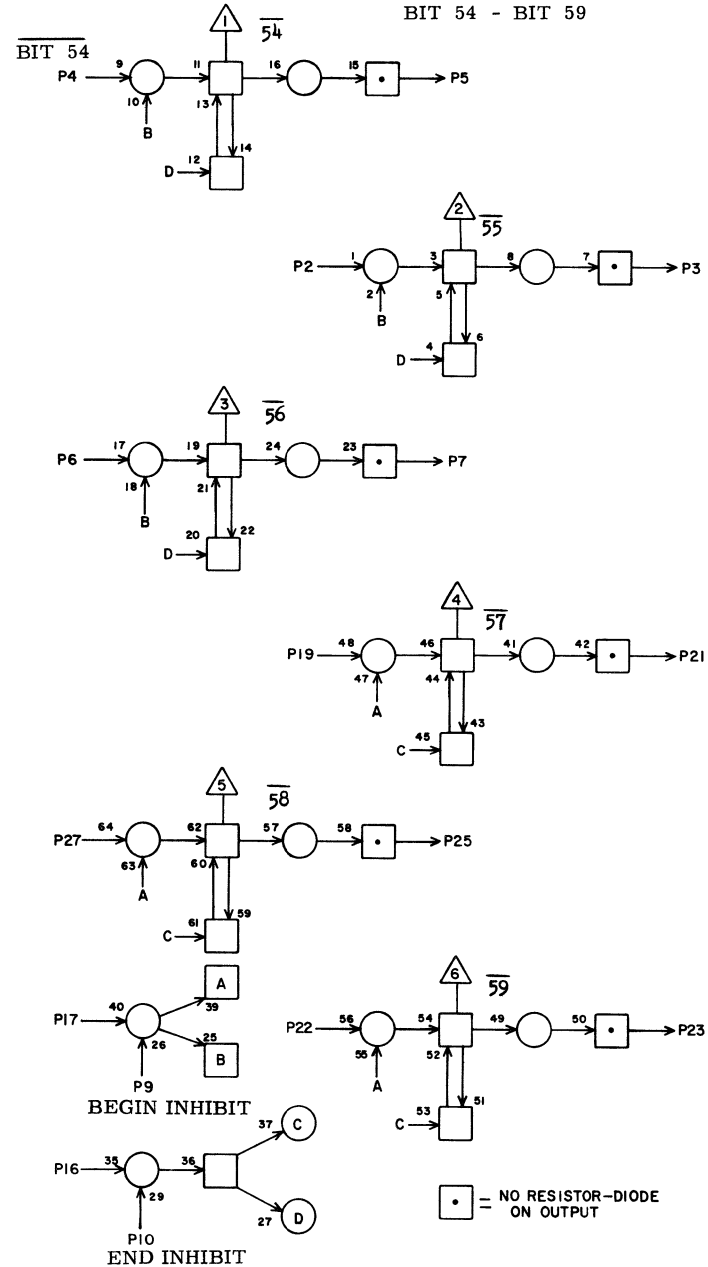
SPECIAL MODULE PZ **9 C41**

1			
2	G17	7	29
3	A42	5	9
4	G17	3	29
5	A42	29	7
6	G17	24	29
7	A35	6	13
8			
9	C20	11	23
10	C20	21	21
11			
12			
13			
14			
15			
16	C21	27	21
17	C21	11	21
18			
19	G17	23	29
20			
21	A35	26	15
22	G18	7	27
23	A42	1	11
24			
25	A42	27	9
26			
27	G18	3	27
28			

JACK PIN LG

63017100 Rev. D

BANK 10 RESTORE
BIT 54 - BIT 59



SPECIAL MODULE PZ **9 C42**

1			
2	G18	23	29
3	A35	4	11
4	G18	24	29
5	A35	28	11
6	G19	3	29
7	A42	3	9
8			
9	C20	13	23
10	C20	23	23
11			
12			
13			
14			
15			
16	C21	28	23
17	C21	12	23
18			
19	G19	7	27
20			
21	A42	25	9
22	G19	23	29
23	A35	2	15
24			
25	A35	30	13
26			
27	G19	24	29
28			

JACK PIN LG

63017100 Rev. D

**STORAGE
MODULE**

D 1

FUNCTION	PIN
Address	
S ⁰	22
S ¹	20
S ²	8
S ³	10
S ⁴	12
S ⁵	14
S ⁶	18
S ⁷	16
Store	
Z ²	6
Z ³	26
Z ⁶	28
Z ⁷	4
Z ¹⁰	30
Z ¹¹	2
Read	
Z ⁰	1
Z ¹	3
Z ¹	27
Z ¹	29
Z ⁴	5
Z ⁴	7
Z ⁵	23
Z ⁵	25
Z ⁸	19
Z ⁸	9
Z ⁹	11
Inhibit	
S ¹¹	24
Power	
+5 To Inhibit	13
+5 To Inhibit	17
Ground	15

1	F 1	2	9
2	F 5	23	11
3	F 1	4	9
4	F 5	3	11
5	F 2	2	9
6	F 4	7	11
7	F 2	4	9
8	F23	19	23
9	F 3	8	9
10	F23	20	23
11	F 3	10	9
12	F25	19	25
13			
14	F25	20	25
15	D1	X	2
16	F25	2	25
17			
18	F24	2	23
19	F 3	2	7
20	F22	20	23
21	F 3	4	7
22	F22	19	23
23	F 2	8	7
24	F25	3	25
25	F 2	10	7
26	F 4	21	9
27	F 1	8	7
28	F 5	5	9
29	F 1	10	7
30	F 5	25	9

JACK PIN LG

FUNCTION	PIN
Address	
S ⁴	7
S ⁵	9
S ⁶	13
S ⁷	11
Store	
Z ⁰	29
Z ¹	5
Z ⁴	27
Z ⁵	1
Z ⁸	3
Z ⁹	25
Read	
Z ²	28
Z ²	30
Z ³	2
Z ³	4
Z ⁶	6
Z ⁶	8
Z ⁷	24
Z ⁷	26
Z ¹⁰	10
Z ¹⁰	12
Z ¹¹	20
Z ¹¹	22
Inhibit	
S ⁴	15
S ⁵	17
S ¹⁰	19
Control	
Read Enable	23
Write Enable	21
Power	
+8 To Drive	18
+6 To Drive	14
Ground	16

9 D 8

1	F 4	23	13
2	F 1	22	13
3	F 5	7	11
4	F 1	24	13
5	F 4	3	11
6	F 2	16	13
7	F22	2	17
8	F 2	18	13
9	F23	2	17
10	F 3	16	11
11	F24	20	19
12	F 3	18	11
13	F24	19	19
14			
15	F22	3	17
16	D8	X	2
17	F23	3	17
18			
19	F24	3	17
20	F 3	22	11
21	F14	24	11
22	F 3	24	11
23	F14	1	29
24	F 2	22	11
25	F 5	21	9
26	F 2	24	11
27	F 4	25	11
28	F 1	16	11
29	F 4	5	9
30	F 1	18	11

JACK PIN LG

63017100 Rev. G

**STORAGE
MODULE**

9 D10

FUNCTION	PIN
Address	
S ⁰	22
S ¹	20
S ²	8
S ³	10
S ⁴	12
S ⁵	14
S ⁶	18
S ⁷	16
Store	
Z ²	6
Z ³	26
Z ⁶	28
Z ⁷	4
Z ¹⁰	30
Z ¹¹	2
Read	
Z ⁰	1
Z ⁰	3
Z ¹	27
Z ¹	29
Z ⁴	5
Z ⁴	7
Z ⁵	23
Z ⁵	25
Z ⁸	19
Z ⁸	9
Z ⁹	11
Inhibit	
S ¹¹	24
Power	
+5 To Inhibit	13
+5 To Inhibit	17
Ground	15

1	F 7	2	11
2	F11	23	11
3	F 7	4	11
4	F11	3	9
5	F 8	2	9
6	F10	7	9
7	F 8	4	9
8	F23	21	17
9	F 9	8	9
10	F23	22	17
11	F 9	10	9
12	F25	21	19
13			
14	F25	22	19
15	D10	X	2
16	F25	4	17
17			
18	F24	4	17
19	F 9	2	7
20	F22	22	17
21	F 9	4	7
22	F22	21	17
23	F 8	8	9
24	F25	5	19
25	F 8	10	9
26	F10	21	9
27	F 7	8	9
28	F11	5	7
29	F 7	10	9
30	F11	25	9

JACK PIN LG

FUNCTION	PIN
Address	
S ⁴	7
S ⁵	9
S ⁶	13
S ⁷	11
Store	
Z ⁰	29
Z ¹	5
Z ⁴	27
Z ⁵	1
Z ⁸	3
Z ⁹	25
Read	
Z ²	28
Z ²	30
Z ³	2
Z ³	4
Z ⁶	6
Z ⁶	8
Z ⁷	24
Z ⁷	26
Z ¹⁰	10
Z ¹⁰	12
Z ¹¹	20
Z ¹¹	22
Inhibit	
S ⁴	15
S ⁵	17
S ¹⁰	19
Control	
Read Enable	23
Write Enable	21
Power	
+8 To Drive	18
+6 To Drive	14
Ground	16

9 D16

1	F10	23	13
2	F 7	22	15
3	F11	7	11
4	F 7	24	15
5	F10	3	13
6	F 8	16	15
7	F22	4	11
8	F 8	18	15
9	F23	4	11
10	F 9	16	13
11	F24	22	13
12	F 9	18	13
13	F24	21	13
14			
15	F22	5	11
16	D16	X	2
17	F23	5	11
18			
19	F24	5	13
20	F 9	22	13
21	F14	25	11
22	F 9	24	13
23	F14	3	29
24	F 8	22	13
25	F11	21	11
26	F 8	24	13
27	F10	25	13
28	F 7	16	13
29	F10	5	11
30	F 7	18	13

JACK PIN LG

63017100 Rev. G

9D18

STORAGE MODULE

FUNCTION	PIN	JACK	PIN	LG
Address				
S ⁰	22			
S ¹	20			
S ²	8			
S ³	10			
S ⁴	12			
S ⁵	14			
S ⁶	18			
S ¹⁰	16			
S ¹¹				
Store				
Z ²	6			
Z ³	26			
Z ⁶	28			
Z ⁷	4			
Z ¹⁰	30			
Z ¹¹	2			
Read				
R ⁰	1			
R ¹	3			
R ²	27			
R ³	29			
R ⁴	5			
R ⁵	7			
R ⁶	23			
R ⁷	25			
R ⁸	19			
R ⁹	21			
R ⁹	9			
R ¹¹	11			
Inhibit				
S ¹¹	24			
Power				
+5 To Inhibit	13			
+5 To Inhibit	17			
Ground	15			

1	F26	2	13
2	F30	23	17
3	F26	4	13
4	F30	3	17
5	F27	2	13
6	F29	7	13
7	F27	4	15
8	F23	23	13
9	F28	8	15
10	F23	24	13
11	F28	10	15
12	F25	23	13
13			
14	F25	24	13
15	D18	X	2
16	F25	6	11
17			
18	F24	6	11
19	F28	2	13
20	F22	24	11
21	F28	4	13
22	F22	23	11
23	F27	8	13
24	F25	7	11
25	F27	10	13
26	F29	21	15
27	F26	8	13
28	F30	5	15
29	F26	10	13
30	F30	25	15

JACK PIN LG

9D25

STORAGE MODULE

FUNCTION	PIN	JACK	PIN	LG
Address				
S ⁴	7			
S ⁵	9			
S ⁶	13			
S ⁷	11			
Store				
Z ⁰	29			
Z ¹	5			
Z ⁴	27			
Z ⁵	1			
Z ⁸	3			
Z ⁹	25			
Read				
R ²	28			
R ²	30			
R ³	2			
R ³	4			
R ⁴	6			
R ⁴	8			
R ⁷	24			
R ⁷	26			
R ¹⁰	10			
R ¹⁰	12			
R ¹¹	20			
R ¹¹	22			
Inhibit				
S ⁴	15			
S ⁵	17			
S ¹⁰	19			
Control				
Read Enable	23			
Write Enable	21			
Power				
+8 To Drive	18			
+6 To Drive	14			
Ground	16			

1	F29	23	13
2	F26	22	11
3	F30	7	11
4	F26	24	11
5	F29	3	11
6	F27	16	11
7	F22	6	9
8	F27	18	11
9	F23	6	9
10	F28	16	13
11	F24	24	11
12	F28	18	13
13	F24	23	11
14	+6 Bus		
15	F22	7	9
16	D25	X	2
17	F23	7	9
18			
19	F24	7	9
20	F28	22	11
21	F14	26	15
22	F28	24	11
23	F14	4	29
24	F27	22	9
25	F30	21	11
26	F27	24	9
27	F29	25	11
28	F26	16	7
29	F29	5	21
30	F26	18	7

JACK PIN LG

63017100 Rev. K

9D26

STORAGE MODULE

FUNCTION	PIN	JACK	PIN	LG
Address				
S ⁰	22			
S ¹	20			
S ²	8			
S ³	10			
S ⁸	12			
S ⁹	14			
S ¹⁰	18			
S ¹¹	16			
Store				
Z ²	6			
Z ³	26			
Z ⁶	28			
Z ⁷	4			
Z ¹⁰	30			
Z ¹¹	2			
Read				
R ⁰	1			
R ¹	3			
R ²	27			
R ²	29			
R ⁴	5			
R ⁴	7			
R ⁵	23			
R ⁸	25			
R ⁸	19			
R ⁹	21			
R ⁹	9			
R ¹¹	11			
Inhibit				
S ¹¹	24			
Power				
+5 To Inhibit	13			
+5 To Inhibit	17			
Ground	15			

1	F32	2	11
2	F36	23	15
3	F32	4	11
4	F36	3	13
5	F33	2	11
6	F35	7	13
7	F33	4	11
8	F23	25	11
9	F34	8	13
10	F23	26	11
11	F34	10	13
12	F25	25	11
13			
14	F25	26	11
15	D26	X	2
16	F25	8	9
17			
18	F24	8	9
19	F34	2	11
20	F22	26	11
21	F34	4	11
22	F22	25	11
23	F33	8	11
24	F25	9	7
25	F33	10	11
26	F35	21	13
27	F32	8	9
28	F36	5	13
29	F32	10	9
30	F36	25	15

JACK PIN LG

63017100 Rev. G

9D33

STORAGE MODULE

FUNCTION	PIN	JACK	PIN	LG
Address				
S ⁴	7			
S ⁵	9			
S ⁶	13			
S ⁷	11			
Store				
Z ⁰	29			
Z ¹	5			
Z ⁴	27			
Z ⁵	1			
Z ⁸	3			
Z ⁹	25			
Read				
R ²	28			
R ²	30			
R ³	2			
R ³	4			
R ⁴	6			
R ⁴	8			
R ⁷	24			
R ⁷	26			
R ¹⁰	10			
R ¹⁰	12			
R ¹¹	20			
R ¹¹	22			
Inhibit				
S ⁴	15			
S ⁵	17			
S ¹⁰	19			
Control				
Read Enable	23			
Write Enable	21			
Power				
+8 To Drive	18			
+6 To Drive	14			
Ground	16			

1	F35	23	11
2	F32	22	11
3	F36	7	11
4	F32	24	11
5	F35	3	9
6	F33	16	11
7	F22	8	15
8	F33	18	11
9	F23	8	15
10	F34	16	9
11	F24	26	15
12	F34	18	9
13	F24	25	15
14	+6 Bus		
15	F22	9	15
16	D33	X	2
17	F23	9	15
18			
19	F24	9	13
20	F34	22	9
21	F14	27	21
22	F34	24	9
23	F14	6	29
24	F33	22	9
25	F36	21	9
26	F33	24	9
27	F35	25	9
28	F32	16	9
29	F35	5	7
30	F32	18	9

JACK PIN LG

9 D35

STORAGE
MODULE

FUNCTION	PIN
Address	
S ⁰	22
S ¹	20
S ²	8
S ³	10
S ⁶	12
S ⁹	14
S ¹⁰	18
S ¹¹	16
Store	
Z ²	6
Z ³	26
Z ⁵	28
Z ⁷	4
Z ¹⁰	30
Z ¹¹	2
Read	
Z ⁰	1
Z ⁰	3
Z ¹	27
Z ¹	29
Z ⁴	5
Z ⁴	7
Z ⁵	23
Z ⁵	25
Z ⁸	19
Z ⁸	21
Z ⁹	9
Z ⁹	11
Inhibit	
S ¹¹	24
Power	
+5 To Inhibit	13
+5 To Inhibit	17
Ground	15

1	F38	2	11
2	F42	23	15
3	F38	4	11
4	F42	3	13
5	F39	2	11
6	F41	7	13
7	F39	4	11
8	F23	27	17
9	F40	8	11
10	F23	28	17
11	F40	10	11
12	F25	27	15
13			
14	F25	28	15
15	D35	X	2
16	F25	10	15
17			
18	F24	10	15
19	F40	2	9
20	F22	28	17
21	F40	4	9
22	F22	27	17
23	F39	8	9
24	F25	11	13
25	F39	10	9
26	F41	21	13
27	F38	8	9
28	F42	5	11
29	F38	10	9
30	F42	25	13

JACK PIN LG

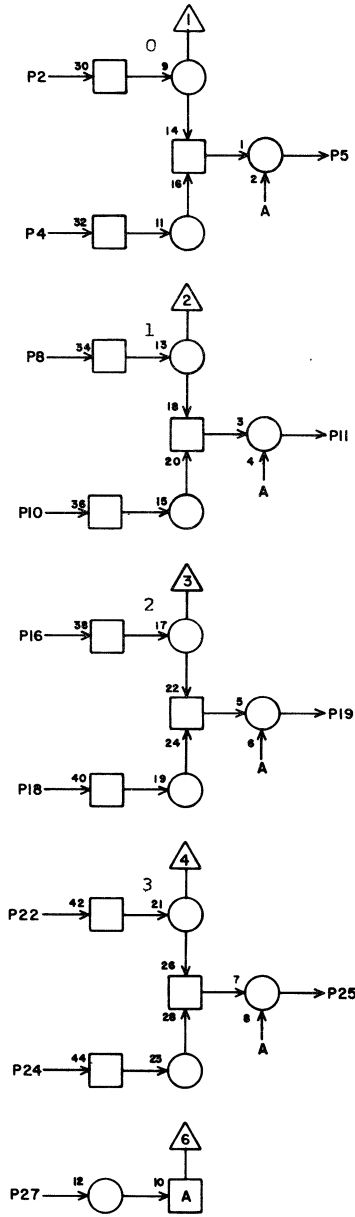
9 D42

FUNCTION	PIN
Address	
S ⁴	7
S ⁵	9
S ⁶	13
S ⁷	11
Store	
Z ⁰	29
Z ¹	5
Z ⁴	27
Z ⁵	1
Z ⁸	3
Z ⁹	25
Read	
Z ²	28
Z ²	30
Z ³	2
Z ³	4
Z ⁶	6
Z ⁶	8
Z ⁷	24
Z ⁷	26
Z ¹⁰	10
Z ¹⁰	12
Z ¹¹	20
Z ¹¹	22
Inhibit	
S ⁴	15
S ⁵	17
S ¹⁰	19
Control	
Read Enable	23
Write Enable	21
Power	
+8 To Drive	18
+6 To Drive	14
Ground	16

1	F41	23	11
2	F38	22	13
3	F42	7	9
4	F38	24	13
5	F41	3	9
6	F39	16	11
7	F22	10	23
8	F39	18	11
9	F23	10	21
10	F40	16	11
11	F24	28	21
12	F40	18	11
13	F24	27	21
14	+6 Bus		
15	F22	11	21
16	D42	X	2
17	F23	11	21
18			
19	F24	11	19
20	F40	22	11
21	F14	28	29
22	F40	24	11
23	F14	7	27
24	F39	22	9
25	F42	21	9
26	F39	24	9
27	F41	25	9
28	F38	16	9
29	F41	5	7
30	F38	18	9

JACK PIN LG

BANK 11 SENSE



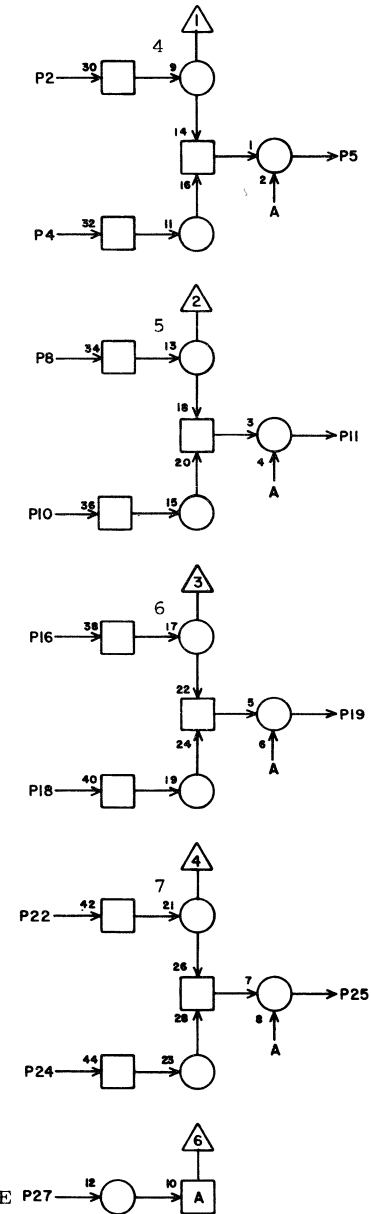
PS 9F 1

1			
2	D 1	1	9
3			
4	D 1	3	9
5	H19	13	21
6			
7			
8	D 1	27	7
9			
10	D 1	29	7
11	H19	9	21
12			
13			
14			
15			
16	D 8	28	11
17			
18	D 8	30	11
19	H19	25	21
20			
21			
22	D 8	2	13
23			
24	D 8	4	13
25	H20	13	21
26	F14	15	15
27	F18	5	19
28	F 2	26	3

JACK PIN LG

63017100 Rev. D

BANK 11 SENSE



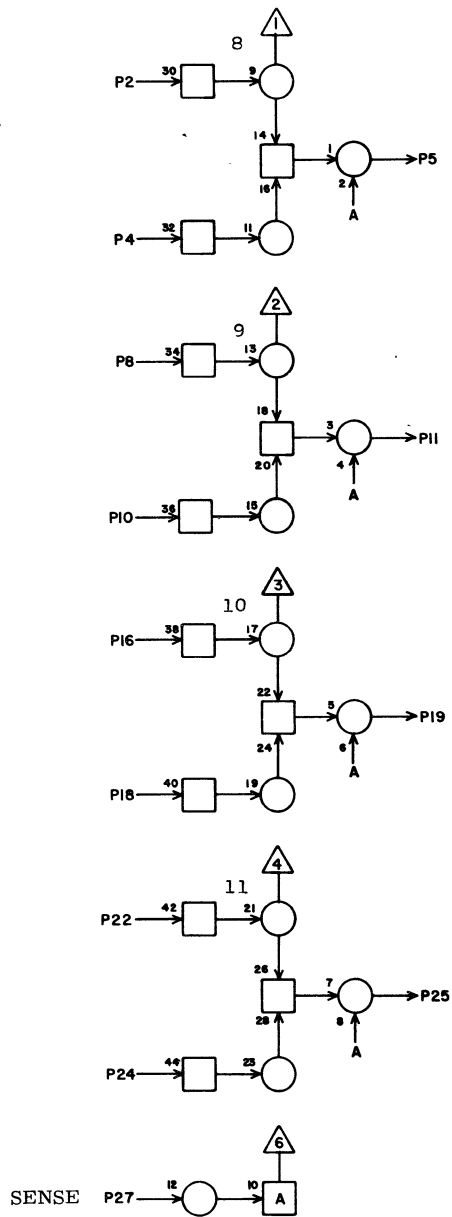
PS 9F 2

1			
2	D 1	5	9
3			
4	D 1	7	9
5	H20	9	21
6			
7			
8	D 1	23	7
9			
10	D 1	25	7
11	H20	25	21
12			
13			
14			
15			
16	D 8	6	13
17			
18	D 8	8	13
19	H21	13	21
20			
21			
22	D 8	24	11
23			
24	D 8	26	11
25	H21	9	21
26	F 1	28	3
27	F18	7	17
28	F 3	26	3

JACK PIN LG

63017100 Rev. D

BANK 11 SENSE

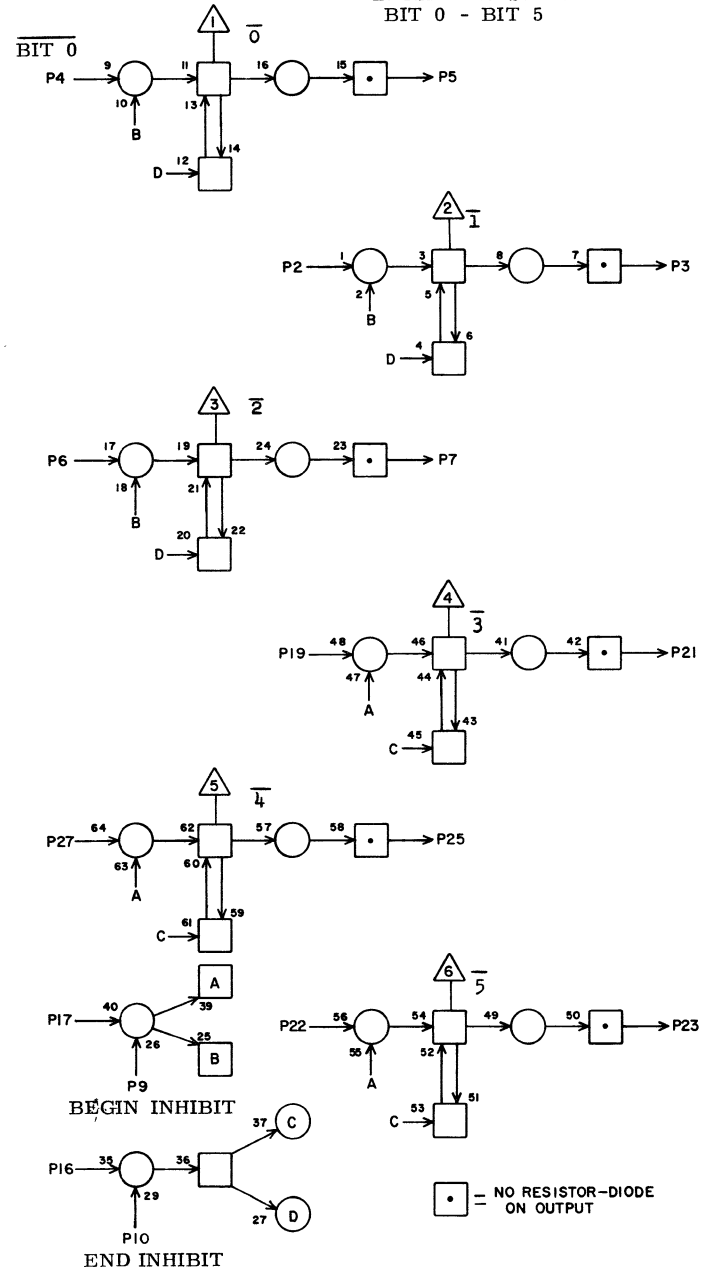


PS 9 F 3

PS	JACK	PIN	LG
1			
2	D 1	19	7
3			
4	D 1	21	7
5	H21	25	23
6			
7			
8	D 1	9	9
9			
10	D 1	11	9
11	H22	13	23
12			
13			
14			
15			
16	D 8	10	11
17			
18	D 8	12	11
19	H22	9	21
20			
21			
22	D 8	20	11
23			
24	D 8	22	11
25	H22	25	21
26	F 2	28	3
27	F18	9	17
28	F 7	26	7

63017100 Rev. D

BANK 11 RESTORE
BIT 0 - BIT 5



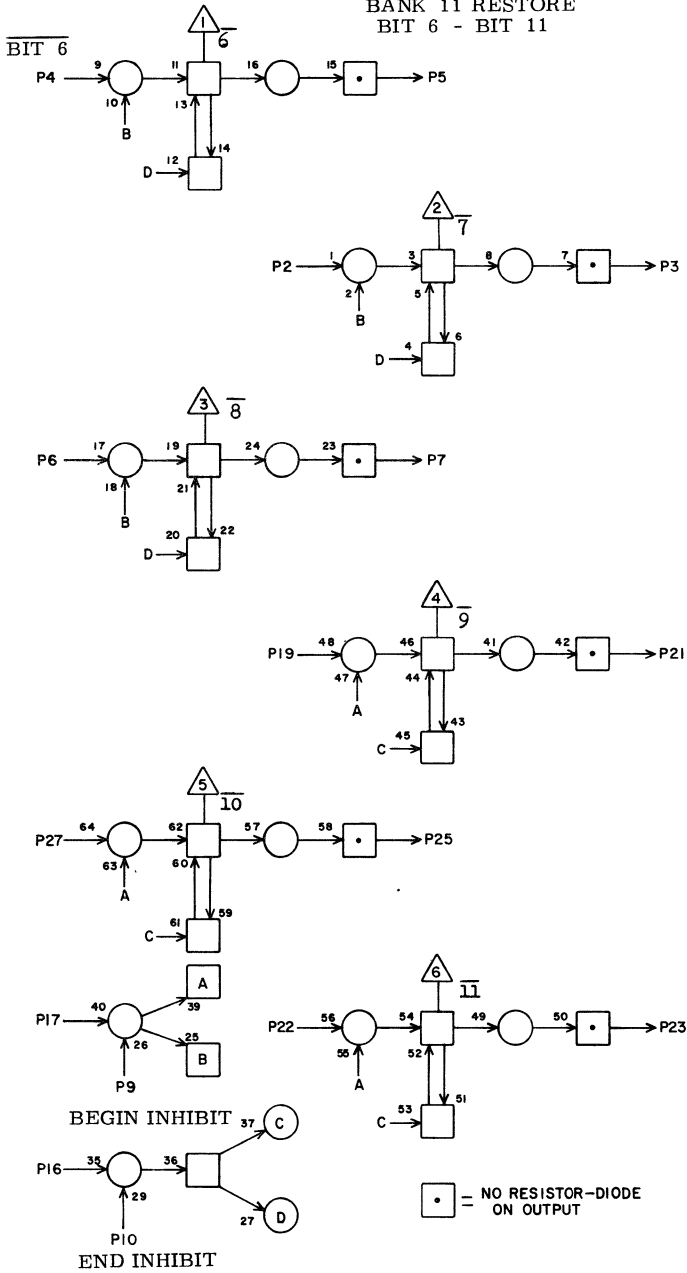
SPECIAL MODULE PZ 9 F 4

1			
2	G 1	8	9
3	D 8	5	11
4	G 1	4	9
5	D 8	29	9
6	G 1	25	9
7	D 1	6	11
8			
9	F20	6	17
10	F20	16	17
11			
12			
13			
14			
15			
16	F21	19	19
17	F21	1	19
18			
19	G 1	22	9
20			
21	D 1	26	9
22	G 2	8	7
23	D 8	1	13
24			
25	D 8	27	11
26			
27	G 2	4	7
28			

JACK PIN LG

63017100 Rev. D

BANK 11 RESTORE
BIT 6 - BIT 11

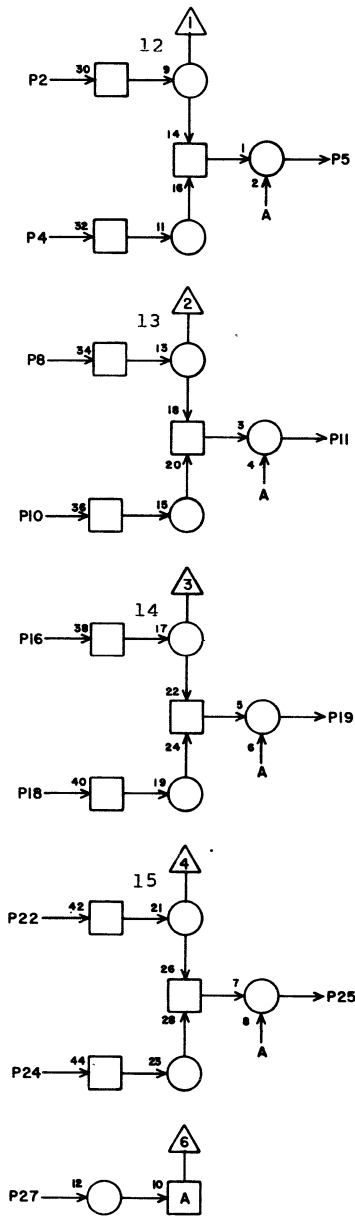


SPECIAL MODULE PZ 9F 5

1			
2	G 2	22	9
3	D 1	4	11
4	G 2	25	9
5	D 1	28	9
6	G 3	4	7
7	D 8	3	11
8			
9	F20	8	17
10	F20	18	17
11			
12			
13			
14			
15			
16	F21	20	17
17	F21	2	17
18			
19	G 3	8	7
20			
21	D 8	25	9
22	G 3	22	7
23	D 1	2	11
24			
25	D 1	30	9
26			
27	G 3	25	7
28			

JACK PIN LG

BANK 11 SENSE



SENSE

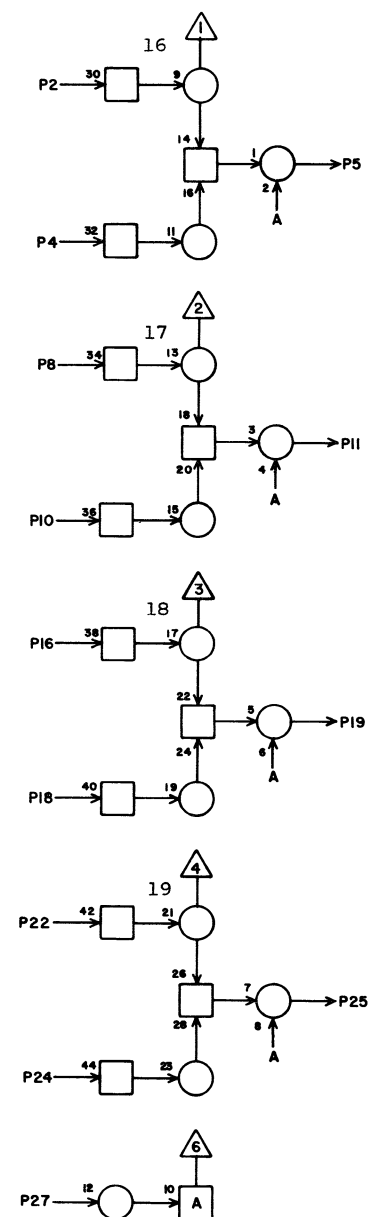
PS 9F7

1			
2	D10	1	11
3			
4	D10	3	11
5	H24	13	21
6			
7			
8	D10	27	9
9			
10	D10	29	9
11	H24	9	19
12			
13			
14			
15			
16	D16	28	13
17			
18	D16	30	13
19	H24	25	21
20			
21			
22	D16	2	15
23			
24	D16	4	15
25	H25	13	21
26	F 3	28	7
27	F18	11	13
28	F 8	26	3

JACK PIN LG

63017100 Rev. D

BANK 11 SENSE



SENSE

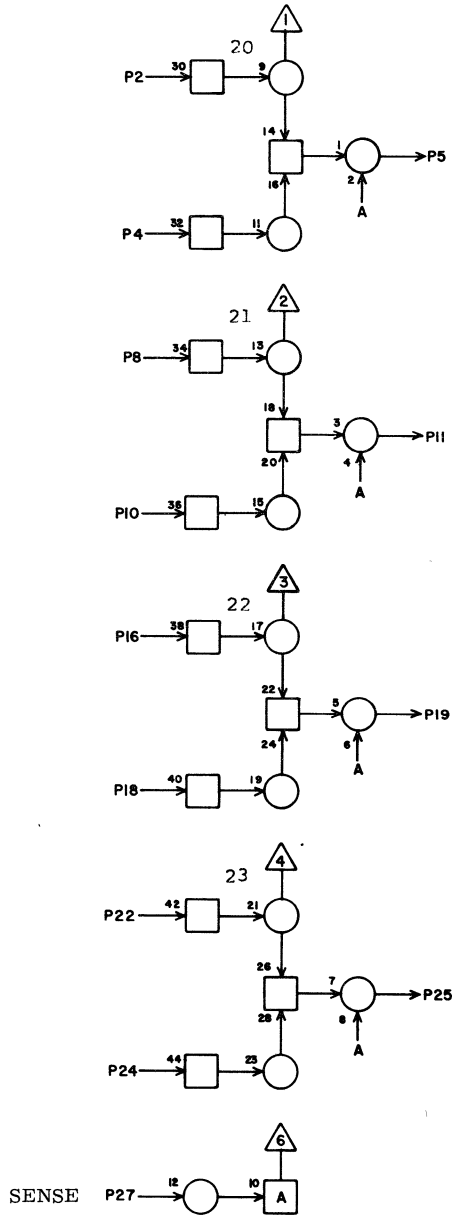
PS 9F8

1			
2	D10	5	9
3			
4	D10	7	9
5	H25	9	21
6			
7			
8	D10	23	9
9			
10	D10	25	9
11	H25	25	21
12			
13			
14			
15			
16	D16	6	15
17			
18	D16	8	15
19	H26	13	21
20			
21			
22	D16	24	13
23			
24	D16	26	13
25	H26	9	21
26	F 7	28	3
27	F18	13	13
28	F 9	26	3

JACK PIN LG

63017100 Rev. D

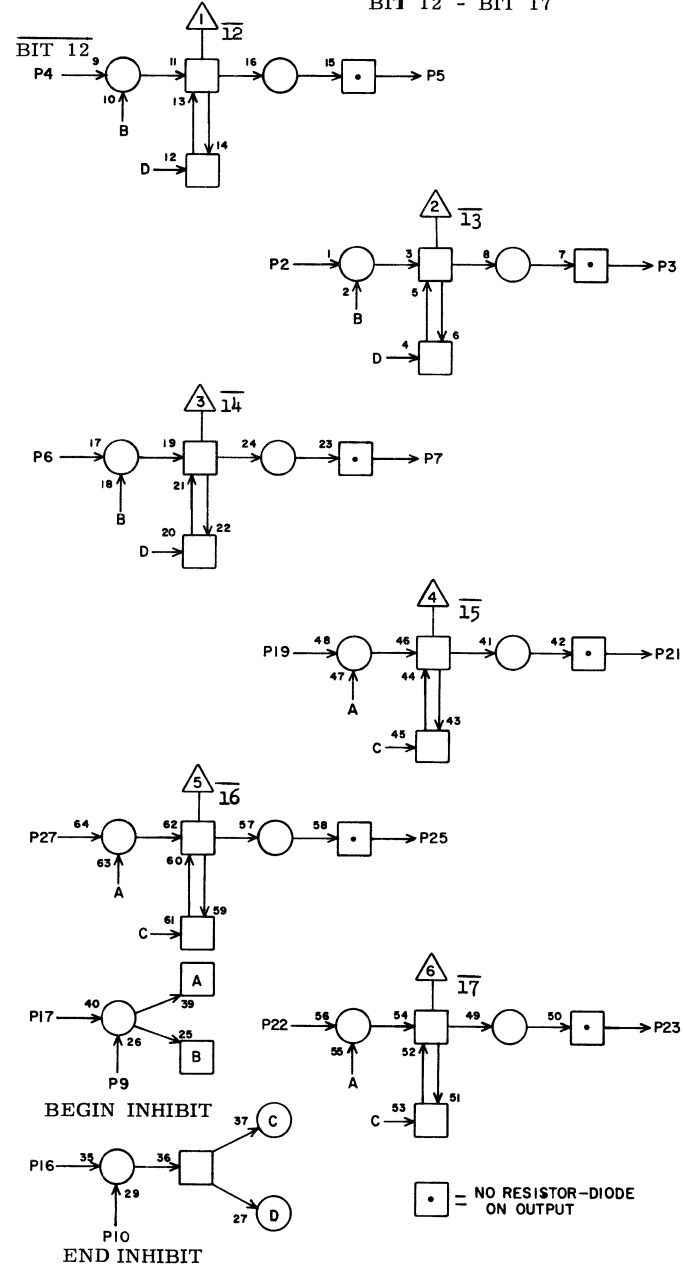
BANK 11 SENSE



PS			
9 F 9			
JACK	PIN	LG	
1			
2	D10	19	7
3			
4	D10	21	7
5	H26	25	21
6			
7			
8	D10	9	9
9			
10	D10	11	9
11	H27	13	21
12			
13			
14			
15			
16	D16	10	13
17			
18	D16	12	13
19	H27	9	21
20			
21			
22	D16	20	13
23			
24	D16	22	13
25	H27	25	21
26	F 8	28	3
27	F18	16	11
28	F26	26	19

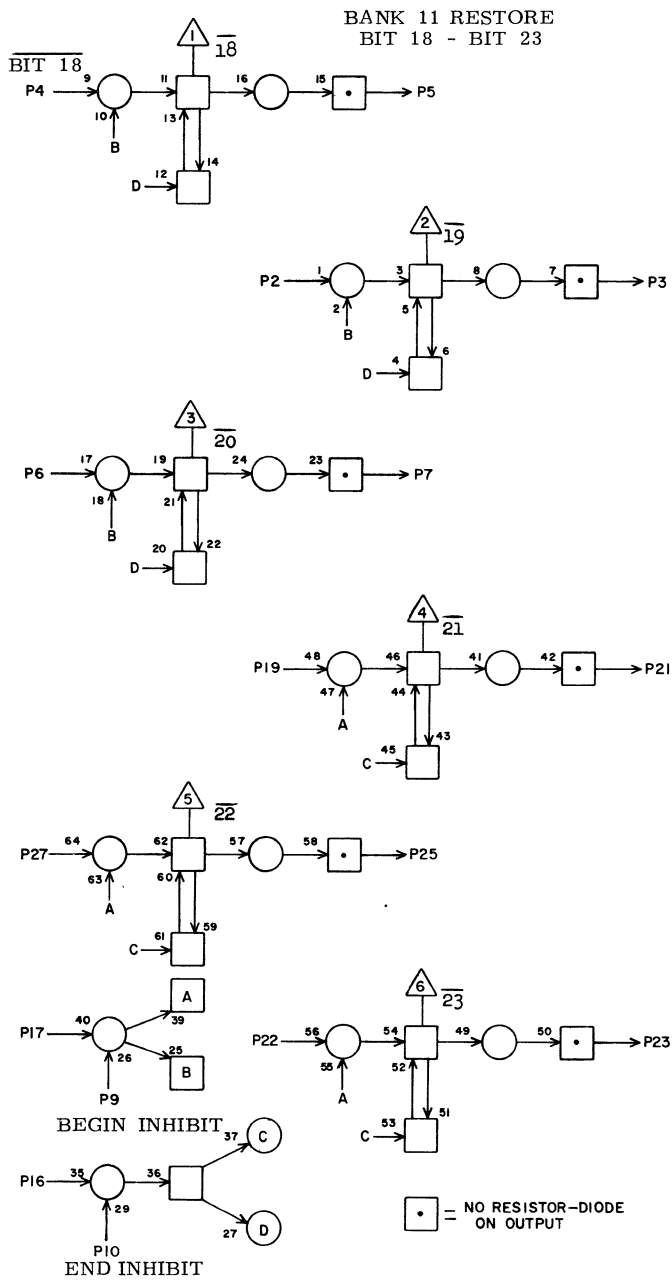
63017100 Rev. D

BANK 11 RESTORE
BIT 12 - BIT 17



SPECIAL MODULE P2 9 F10			
JACK	PIN	LG	
1			
2	G 5	8	9
3	D16	5	13
4	G 5	4	9
5	D16	29	11
6	G 5	25	11
7	D10	6	9
8			
9	F20	10	13
10	F20	20	13
11			
12			
13			
14			
15			
16	F21	21	13
17	F21	4	13
18			
19	G 5	22	9
20			
21	D10	26	9
22	G 6	8	7
23	D16	1	13
24			
25	D16	27	13
26			
27	G 6	4	7
28			

63017100 Rev. D

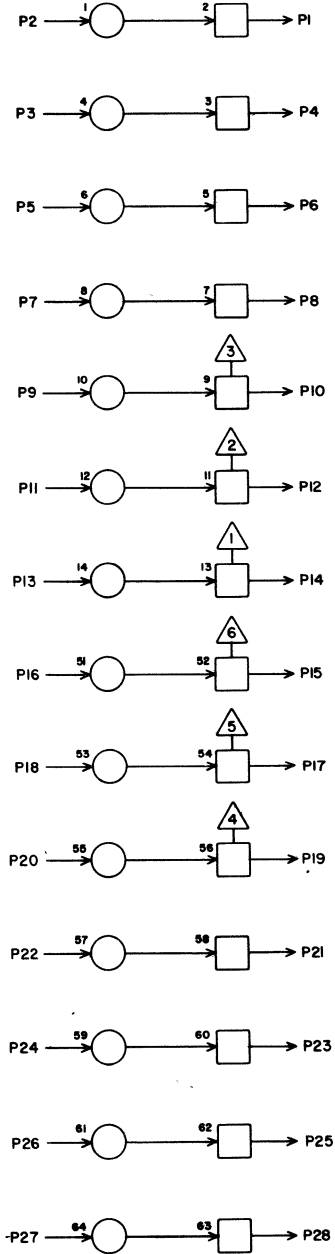


SPECIAL MODULE PZ 9 F11

1			
2	G 6	22	11
3	D10	4	9
4	G 6	25	11
5	D10	28	7
6	G 7	4	9
7	D16	3	11
8			
9	F20	12	11
10	F20	22	13
11			
12			
13			
14			
15			
16	F21	22	13
17	F21	6	13
18			
19	G 7	8	9
20			
21	D16	25	11
22	G 7	22	9
23	D10	2	11
24			
25	D10	30	9
26			
27	G 7	25	9
28			

LS 63068400
ASSY

3
REV



61

9F13

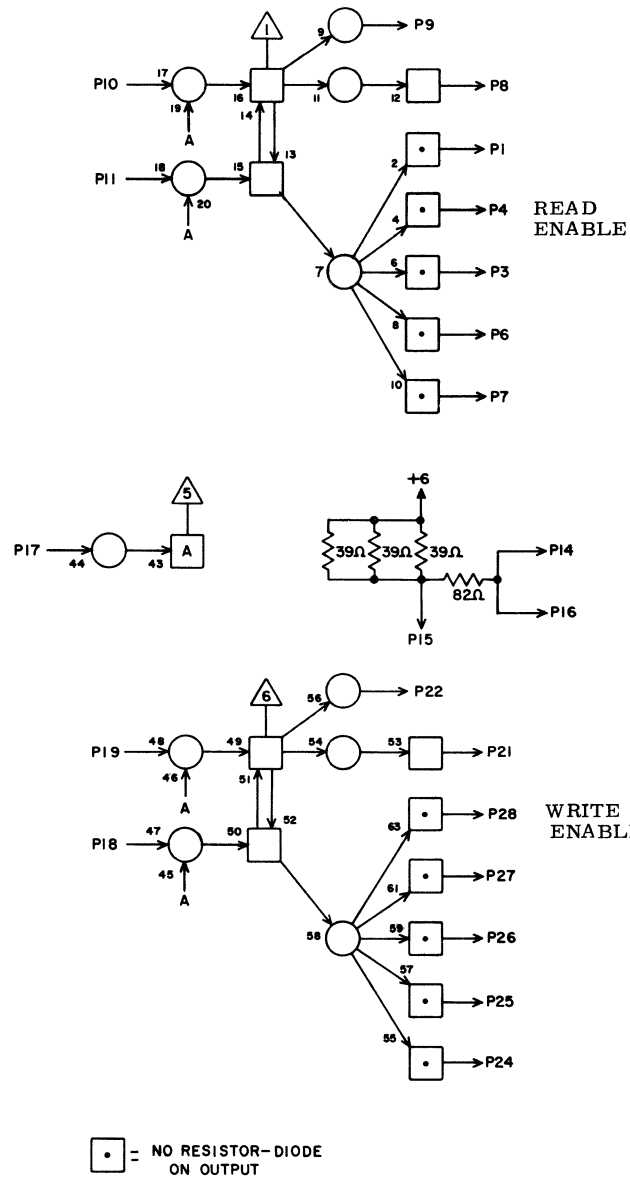
1			
2			
3	C14	8	39
4	C15	14	39
5	C17	7	108
6	C14	19	108
7			
8			
9	F14	8	39
10	F15	14	39
11	F17	7	108
12	F14	19	180
13			
14			
15	M15	14	39
16	M14	8	39
17	M14	19	180
18	M17	7	108
19			
20			
21	P15	14	39
22	P14	8	39
23	P14	19	180
24	P17	7	108
25	G24	16	53
26	G32	11	108
27			
28			

JACK PIN LG

CIRCUIT SPECIFICATION I1827600

63017100 Rev V

BANK 11
STORAGE SEQUENCE CONTROL



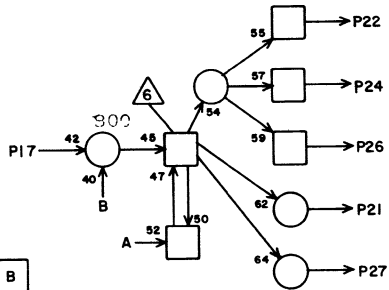
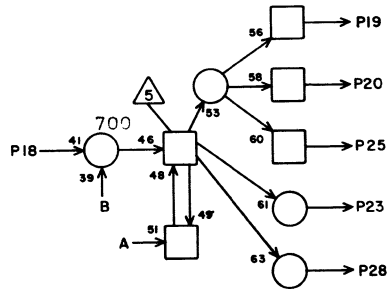
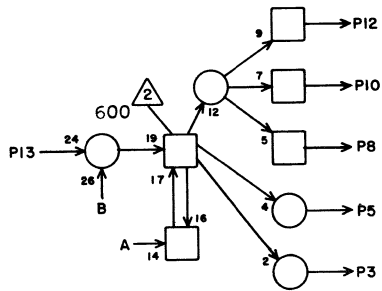
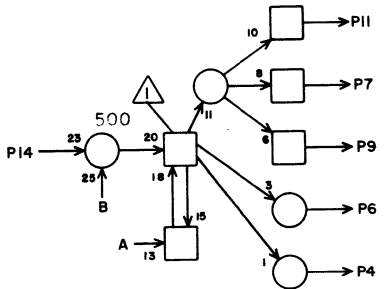
SPECIAL MODULE PU 9F14

1	D 8	23	29
2			
3	D16	23	29
4	D25	23	29
5			
6	D33	23	29
7	D42	23	27
8	F13	9	39
9	G29	2	17
10	G39	24	39
11	F16	26	120
12			
13			
14	C14	16	13
15	F 1	26	15
16	M14	14	27
17	GND	X	2
18	F17	6	7
19	F13	12	180
20			
21	F17	13	7
22	G29	4	17
23			
24	D 8	21	11
25	D16	21	11
26	D25	21	15
27	D33	21	21
28	D42	21	29

JACK PIN LG

63017100 Rev V

BANK 11
STORAGE SEQUENCE CONTROL



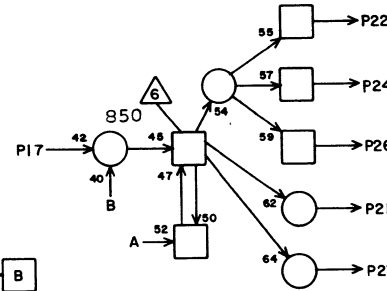
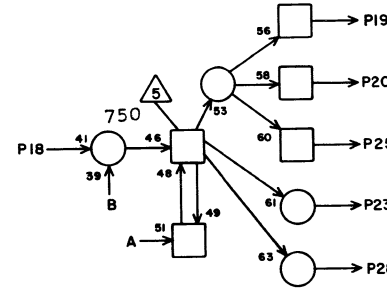
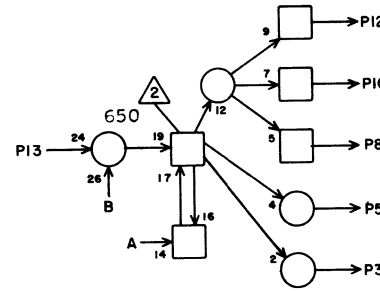
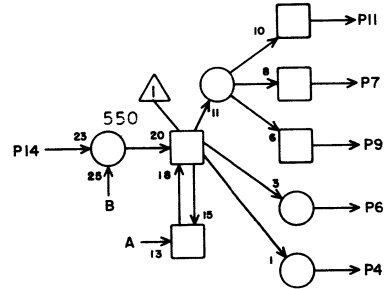
PD 9F 15

1			
2			
3			
4			
5			
6			
7			
8	F16	13	3
9			
10			
11	F16	14	3
12			
13	F16	7	3
14	F13	10	39
15			
16	G21	19	11
17	F16	20	3
18	F16	8	3
19			
20	F16	18	3
21			
22	F16	17	3
23			
24			(1)
25			
26			
27			
28			

JACK PIN LG

63017100 Rev. R

BANK 11
STORAGE SEQUENCE CONTROL



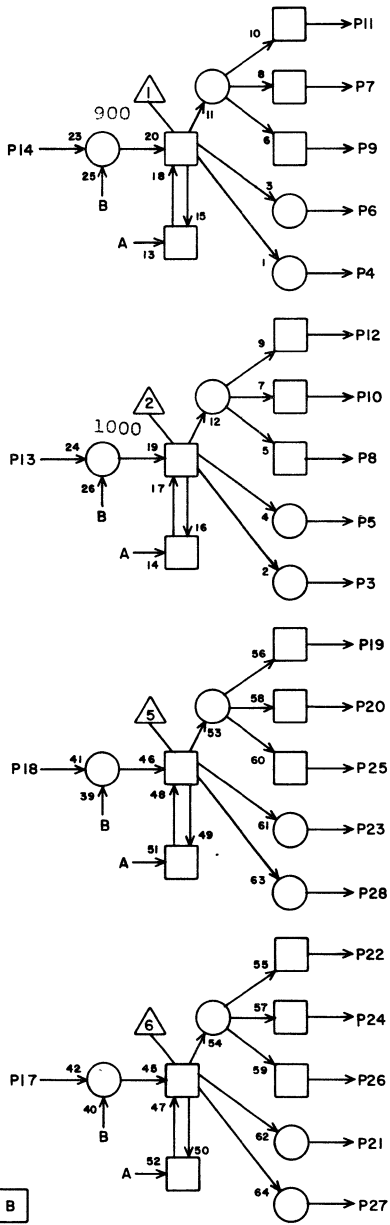
PD 9F 16

1			
2			
3			
4			
5			
6			
7	F15	13	3
8	F15	18	5
9	F19	3	7
10	F18	1	7
11			
12			
13	F15	8	3
14	F15	11	3
15			
16	F21	18	7
17	F15	22	3
18	F15	20	3
19			
20	F15	17	3
21	F19	2	7
22	F17	14	3
23	G29	6	15
24	F19	1	7
25			
26	F14	11	120
27			
28	F18	3	7

JACK PIN LG

63017100 Rev. R

BANK 11
STORAGE SEQUENCE CONTROL



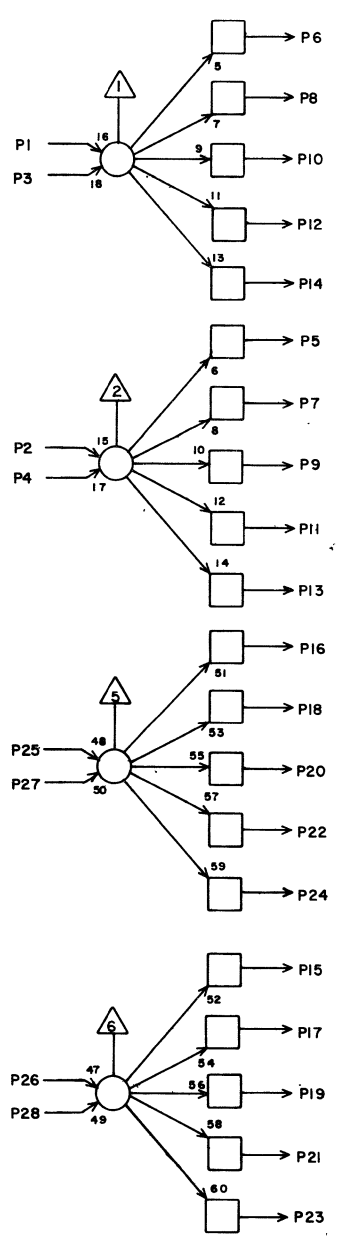
PD 9F 17

1			
2			
3			
4			
5			
6	F14	18	7
7	F13	11	108
8			
9			
10			
11			
12			
13	F14	21	7
14	F16	22	3
15			
16	G21	20	9
17			
18			
19			
20			
21			
22			
23			
24			
25			
26			
27			
28			

JACK PIN LG

63017100 Rev. M

BANK 11
STORAGE SEQUENCE CONTROL
Sense amplifier sample



BANK 11 TO
BANK MERGE

BANK 11 SENSE

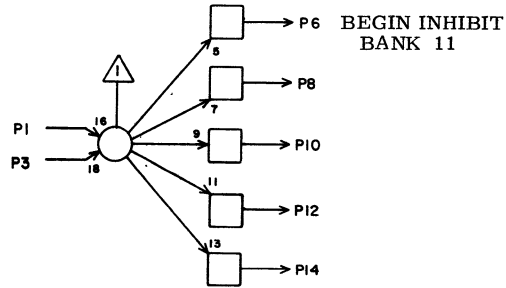
TD 9 F18

1	F16	10	7
2	F18	6	3
3	F16	28	7
4	F18	X	2
5	F 1	27	19
6	F18	2	3
7	F 2	27	17
8	F18	25	5
9	F 3	27	17
10	F18	26	3
11	F 7	27	13
12	G24	9	11
13	F 8	27	13
14			
15	F33	27	17
16	F 9	27	11
17	F34	27	17
18	F26	27	11
19	F38	27	21
20	F27	27	13
21	F39	27	23
22	F28	27	13
23	F40	27	23
24	F32	27	17
25	F18	8	5
26	F18	10	3
27	F18	X	2
28	F18	X	2

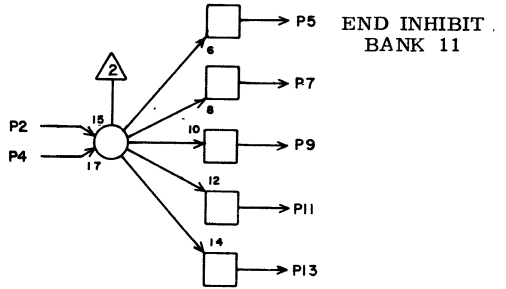
JACK PIN LG

63017100 Rev. M

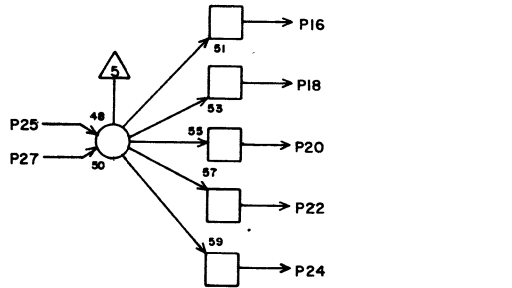
BANK 11
STORAGE SEQUENCE CONTROL



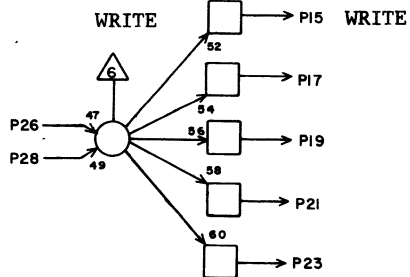
BEGIN INHIBIT
BANK 11



END INHIBIT
BANK 11



END INHIBIT
BANK 11



WRITE

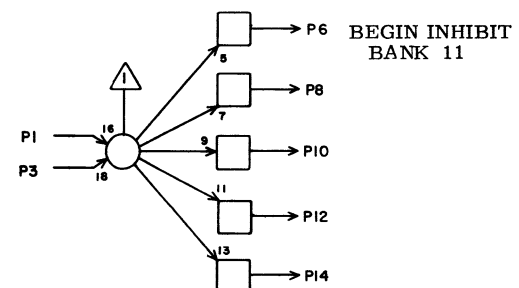
T D 9F19

1	F16	24	7
2	F16	21	7
3	F16	9	7
4	F19	X	2
5	F20	25	5
6	F20	3	3
7	F20	26	5
8	F20	2	3
9			
10			
11			
12			
13			
14			
15	G31	1	13
16			
17	G31	2	13
18			
19	G31	27	13
20			
21	G31	28	15
22			
23			
24			
25			
26	F19	X	2
27			
28	G38	22	21

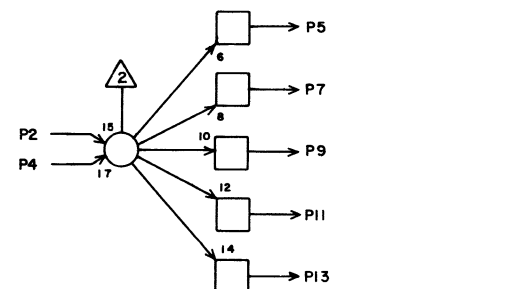
JACK PIN LG

63017100 Rev. D

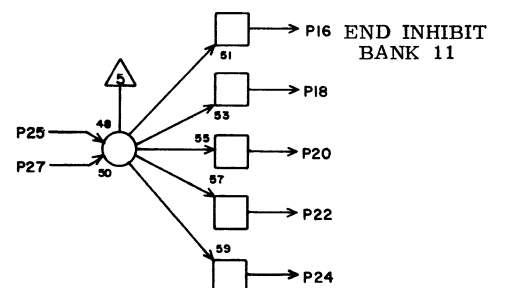
BANK 11
STORAGE SEQUENCE CONTROL



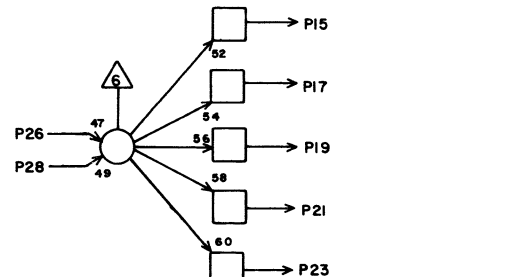
BEGIN INHIBIT
BANK 11



END INHIBIT
BANK 11



END INHIBIT
BANK 11



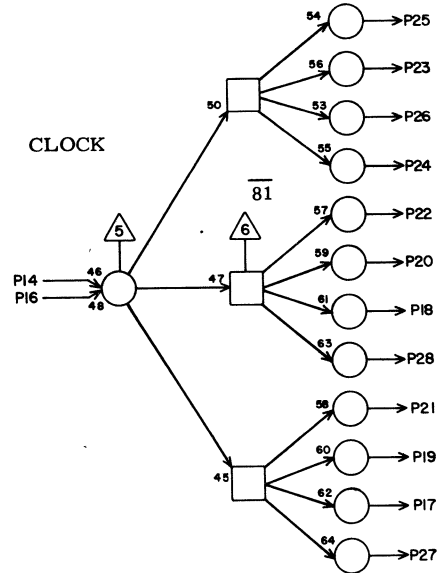
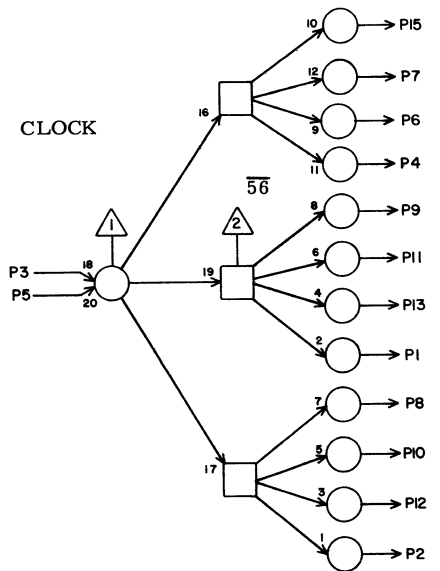
WRITE

T D 9F20

1	F20	X	2
2	F19	8	3
3	F19	6	3
4	F20	X	2
5	F30	9	13
6	F 4	9	17
7	F35	9	17
8	F 5	9	17
9	F36	9	17
10	F10	9	13
11	F41	9	23
12	F11	9	11
13	F42	9	23
14	F29	9	13
15	F30	10	13
16	F 4	10	17
17	F35	10	17
18	F 5	10	17
19	F36	10	17
20	F10	10	13
21	F41	10	23
22	F11	10	13
23	F42	10	23
24	F29	10	13
25	F19	5	5
26	F19	7	5
27	F20	X	2
28	F20	X	2

JACK PIN LG

63017100 Rev. D

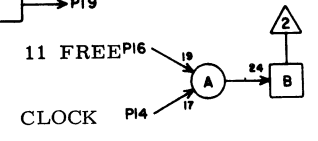
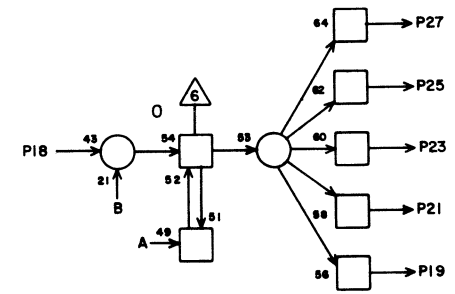
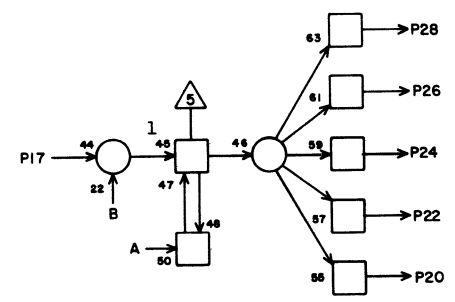
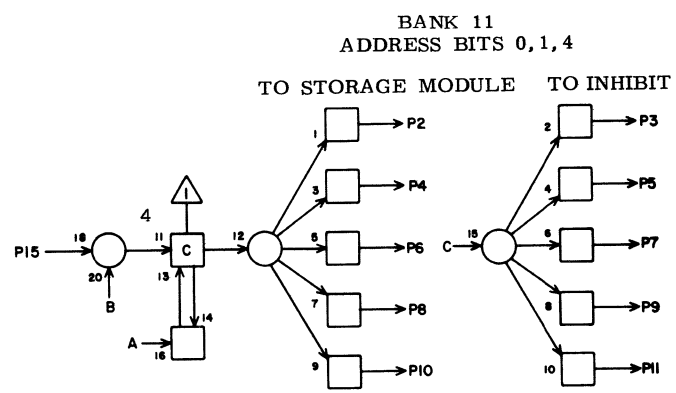


TC 9 F21

1	F 4	17	19
2	F 5	17	17
3	G32	20	37
4	F10	17	13
5	F21	X	2
6	F11	17	13
7	F29	17	11
8	F30	17	13
9	F35	17	17
10	F36	17	17
11	F41	17	21
12	F42	17	23
13			
14	G32	24	39
15	G39	23	108
16	F21	X	2
17			
18	F16	16	7
19	F 4	16	19
20	F 5	16	17
21	F10	16	13
22	F11	16	13
23	F29	16	11
24	F30	16	13
25	F35	16	17
26	F36	16	17
27	F41	16	21
28	F42	16	23

JACK PIN LG

63017100 Rev V



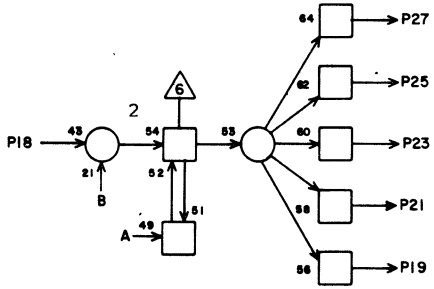
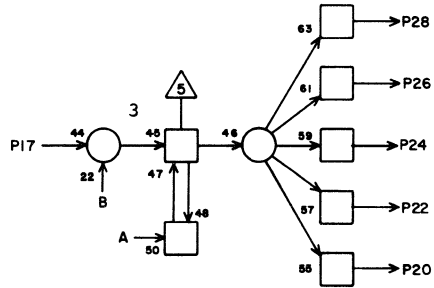
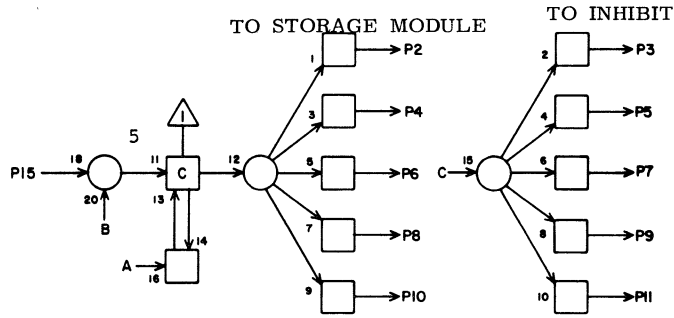
SA 9F 22

1			
2	D 8	7	17
3	D 8	15	17
4	D16	7	11
5	D16	15	11
6	D25	7	9
7	D25	15	9
8	D33	7	15
9	D33	15	15
10	D42	7	23
11	D42	15	21
12			
13			
14	G21	7	7
15	G41	4	19
16	G26	5	9
17	G40	8	19
18	G40	4	19
19	D 1	22	23
20	D 1	20	23
21	D10	22	17
22	D10	20	17
23	D18	22	11
24	D18	20	11
25	D26	22	11
26	D26	20	11
27	D35	22	17
28	D35	20	17

JACK PIN LG

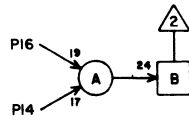
63017100 Rev. D

BANK 11
ADDRESS BITS 2, 3, 5



11 FREE

CLOCK



SA

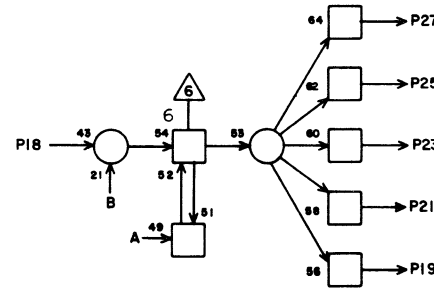
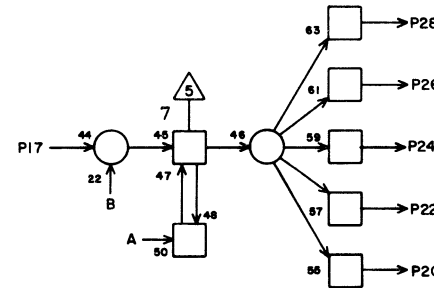
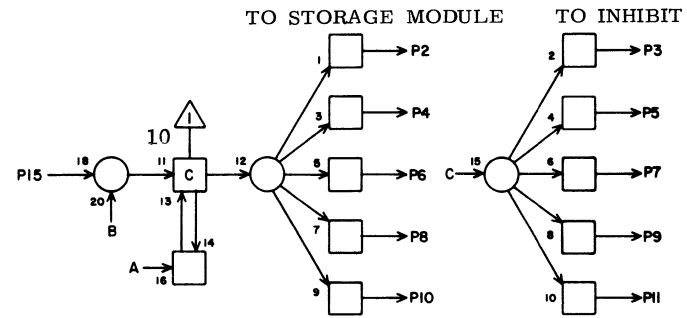
9 F 23

1			
2	D 8	9	17
3	D 8	17	17
4	D16	9	11
5	D16	17	11
6	D25	9	9
7	D25	17	9
8	D33	9	15
9	D33	17	15
10	D42	9	21
11	D42	17	21
12			
13			
14	G21	8	7
15	G41	8	19
16	G26	7	7
17	G40	21	19
18	G40	25	19
19	D 1	8	23
20	D 1	10	23
21	D10	8	17
22	D10	10	17
23	D18	8	13
24	D18	10	13
25	D26	8	11
26	D26	10	11
27	D35	8	17
28	D35	10	17

JACK PIN LG

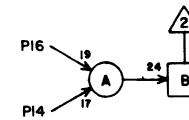
63017100 Rev. D

BANK 11
ADDRESS BITS 6, 7, 10



11 FREE

CLOCK



SA

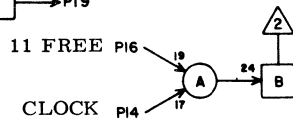
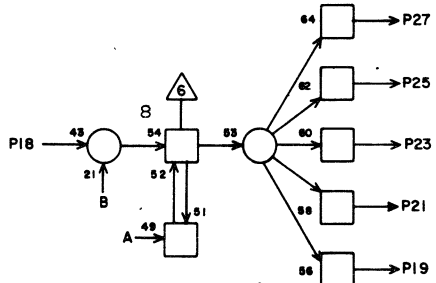
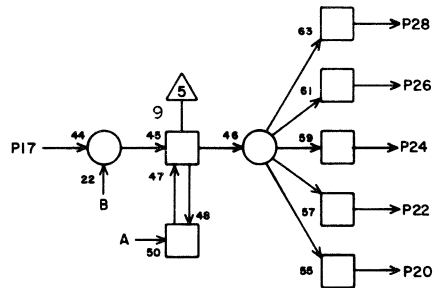
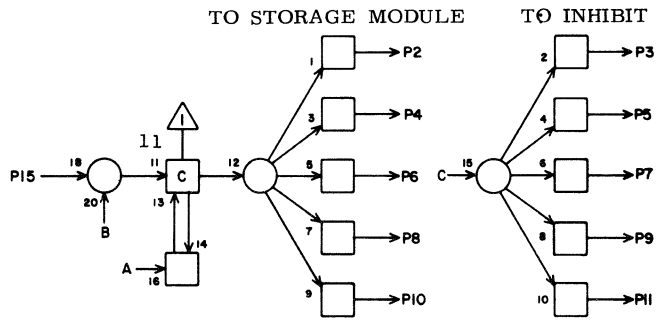
9 F 24

1			
2	D 1	18	23
3	D 8	19	17
4	D10	18	17
5	D16	19	13
6	D18	18	11
7	D25	19	9
8	D26	18	9
9	D33	19	13
10	D35	18	15
11	D42	19	19
12			
13			
14	G21	9	7
15	G42	25	19
16	G26	9	7
17	G41	21	19
18	G41	25	19
19	D 8	13	19
20	D 8	11	19
21	D16	13	13
22	D16	11	13
23	D25	13	11
24	D25	11	11
25	D33	13	15
26	D33	11	15
27	D42	13	21
28	D42	11	21

JACK PIN LG

63017100 Rev. D

BANK 11
ADDRESS BITS 8, 9, 11



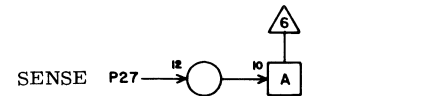
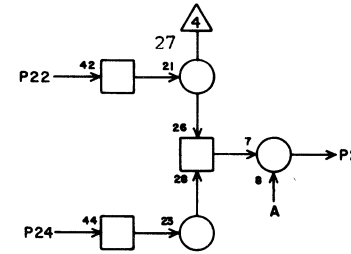
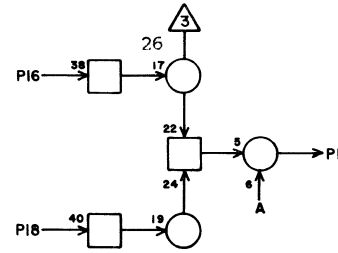
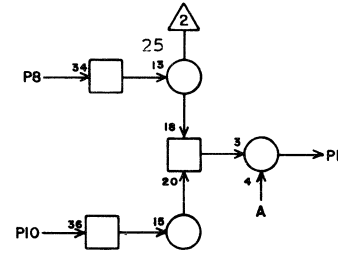
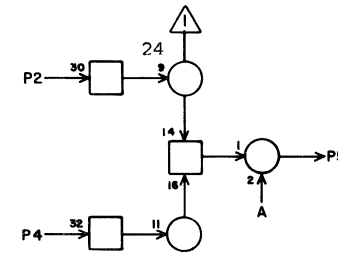
SA 9F 25

1			
2	D 1	16	25
3	D 1	24	25
4	D10	15	17
5	D10	24	19
6	D18	16	11
7	D18	24	11
8	D26	16	9
9	D26	24	7
10	D35	15	15
11	D35	24	13
12			
13			
14	G21	10	9
15	G42	21	19
16	G26	11	7
17	G42	8	19
18	G42	4	19
19	D 1	12	25
20	D 1	14	25
21	D10	12	19
22	D10	14	19
23	D18	12	13
24	D18	14	13
25	D26	12	11
26	D26	14	11
27	D35	12	15
28	D35	14	15

JACK PIN LG

63017100 Rev. D

BANK 11 SENSE



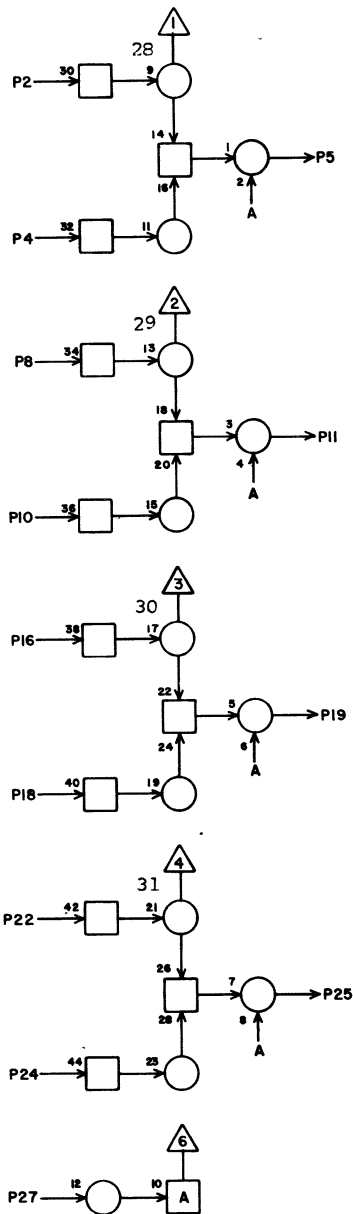
PS 9F 26

1			
2	D18	1	13
3			
4	D18	3	13
5	H29	13	13
6			
7			
8	D18	27	13
9			
10	D18	29	13
11	H29	9	13
12			
13			
14			
15			
16	D25	28	7
17			
18	D25	30	7
19	H29	25	13
20			
21			
22	D25	2	11
23			
24	D25	4	11
25	H30	13	11
26	F 9	28	19
27	F18	18	11
28	F27	26	3

JACK PIN LG

63017100 Rev. D

BANK 11 SENSE



SENSE

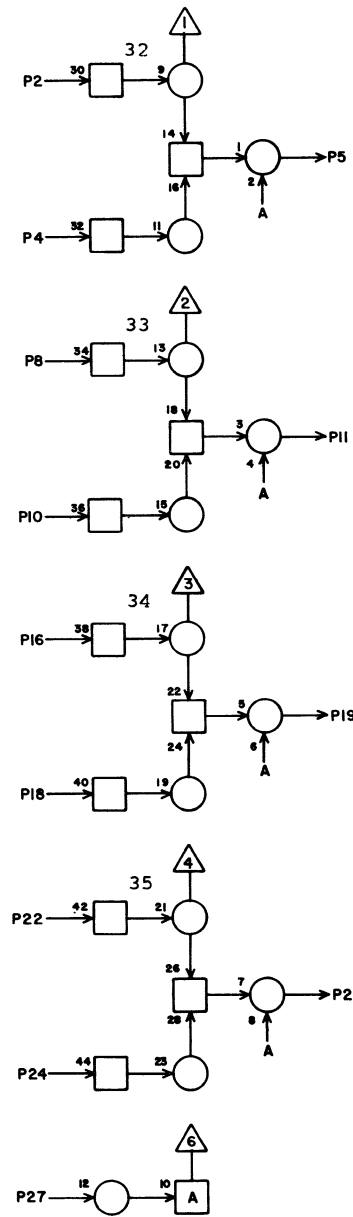
PS 9 F 27

1			
2	D18	5	13
3			
4	D18	7	13
5	H30	9	13
6			
7			
8	D18	23	13
9			
10	D18	25	13
11	H30	25	13
12			
13			
14			
15			
16	D25	6	11
17			
18	D25	8	11
19	H31	13	11
20			
21			
22	D25	24	9
23			
24	D25	26	9
25	H31	9	11
26	F26	28	3
27	F18	20	13
28	F28	26	3

JACK PIN LG

63017100 Rev. D

BANK 11 SENSE



SENSE

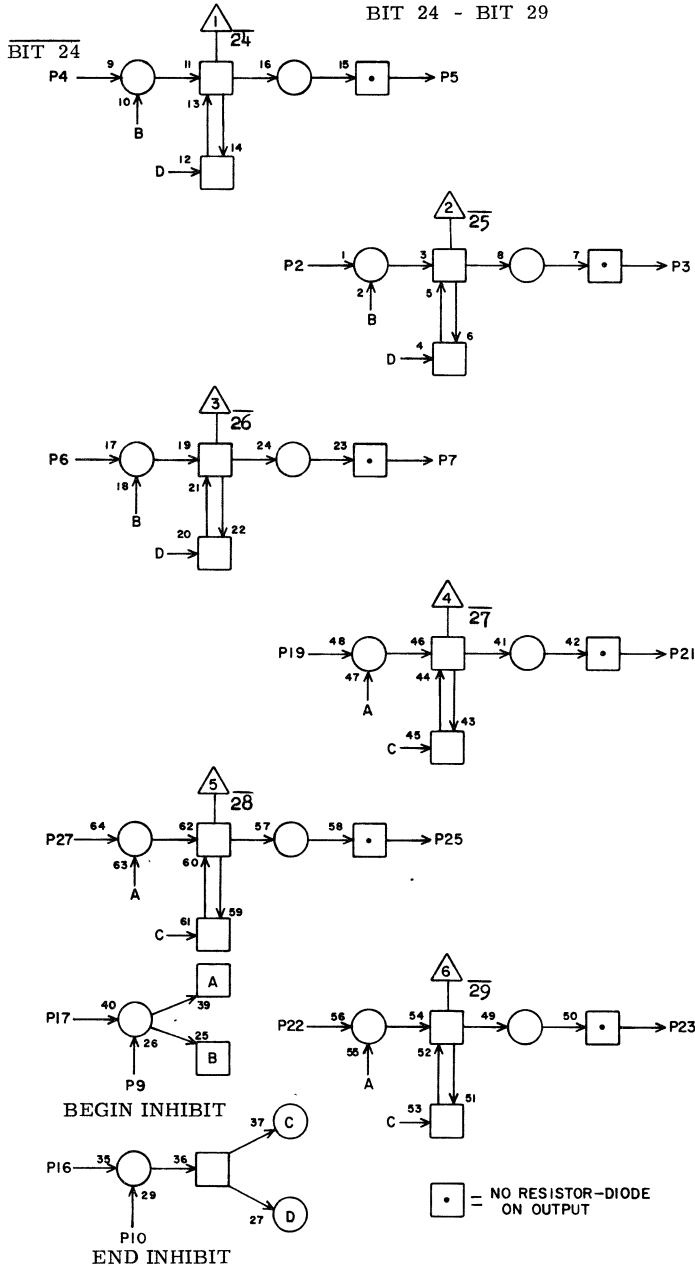
9F 28

1			
2	D18	19	13
3			
4	D18	21	13
5	H31	25	15
6			
7			
8	D18	9	15
9			
10	D18	11	15
11	H32	13	13
12			
13			
14			
15			
16	D25	10	13
17			
18	D25	12	13
19	H32	9	11
20			
21			
22	D25	20	11
23			
24	D25	22	11
25	H32	25	13
26	F27	28	3
27	F18	22	13
28	F32	26	7

JACK PIN LG

63017100 Rev. D

BANK 11 RESTORE
BIT 24 - BIT 29



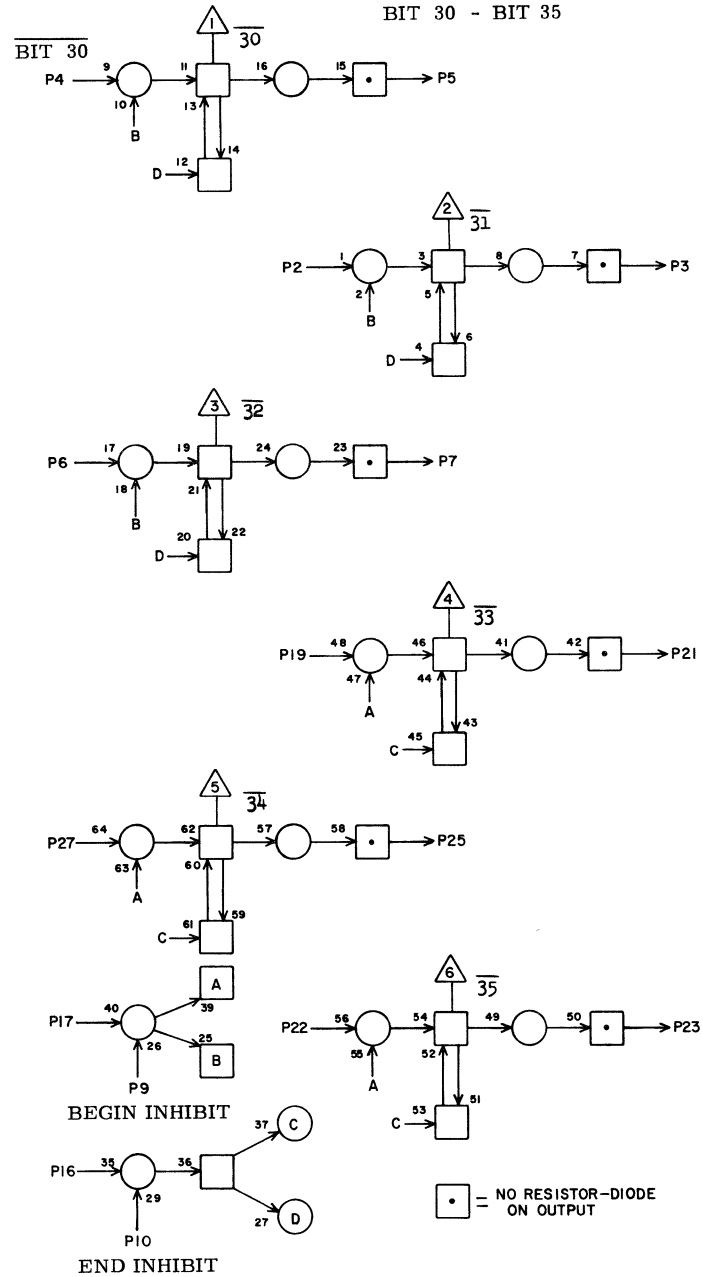
SPECIAL MODULE PZ **9F29**

1			
2	G 9	8	21
3	D25	5	11
4	G 9	4	21
5	D25	29	21
6	G 9	25	23
7	D18	6	15
8			
9	F20	14	13
10	F20	24	13
11			
12			
13			
14			
15			
16	F21	23	11
17	F21	7	11
18			
19	G 9	22	23
20			
21	D18	26	15
22	G10	8	21
23	D25	1	13
24			
25	D25	27	11
26			
27	G10	4	21
28			

JACK PIN LG

63017100 Rev. K

BANK 11 RESTORE
BIT 30 - BIT 35



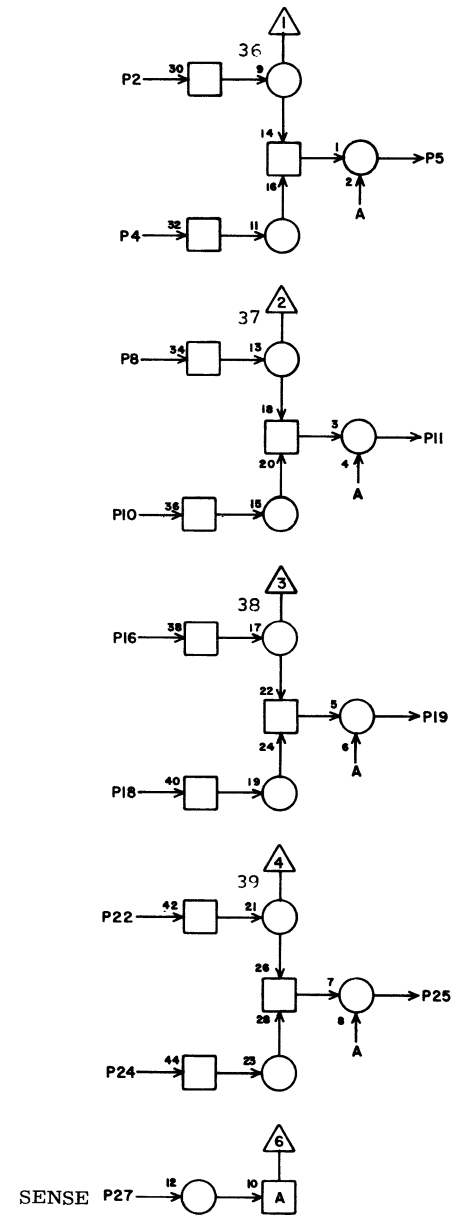
SPECIAL MODULE PZ **9F30**

1			
2	G10	22	23
3	D18	4	17
4	G10	25	21
5	D18	28	15
6	G11	4	21
7	D25	3	11
8			
9	F20	5	13
10	F20	15	13
11			
12			
13			
14			
15			
16	F21	24	13
17	F21	8	13
18			
19	G11	8	21
20			
21	D25	25	11
22	G11	22	21
23	D18	2	17
24			
25	D18	30	15
26			
27	G11	25	21
28			

JACK PIN LG

63017100 Rev. D

BANK 11 SENSE

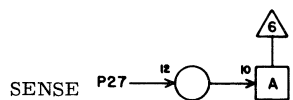
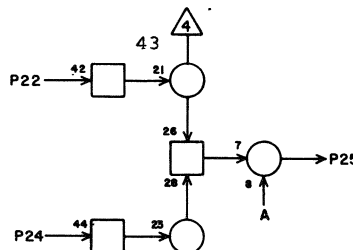
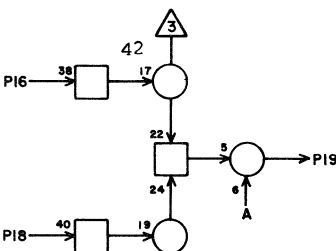
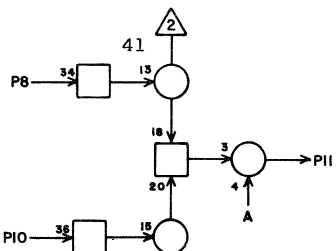
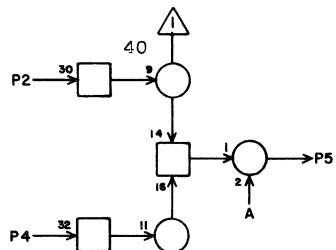


PS 9F32

1			
2	D26	1	11
3			
4	D26	3	11
5	H34	13	13
6			
7			
8	D26	27	9
9			
10	D26	29	9
11	H34	9	11
12			
13			
14			
15			
16	D33	28	9
17			
18	D33	30	9
19	H34	25	13
20			
21			
22	D33	2	11
23			
24	D33	4	11
25	H35	13	11
26	F28	28	7
27	F18	24	17
28	F33	26	3

JACK PIN LG

BANK 11 SENSE



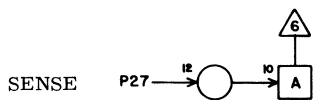
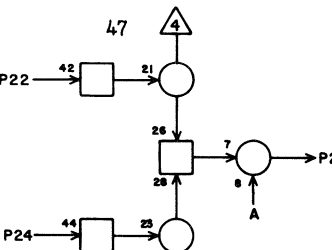
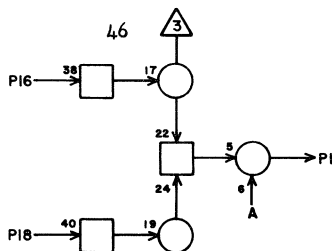
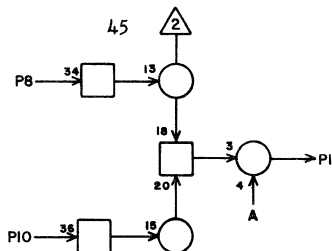
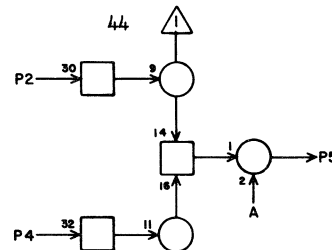
PS 9F 33

1			
2	D26	5	11
3			
4	D26	7	11
5	H35	9	13
6			
7			
8	D26	23	11
9			
10	D26	25	11
11	H35	25	13
12			
13			
14			
15			
16	D33	6	11
17			
18	D33	8	11
19	H36	13	11
20			
21			
22	D33	24	9
23			
24	D33	26	9
25	H36	9	11
26	F32	28	3
27	F18	15	17
28	F34	26	3

JACK PIN LG

63017100 Rev. D

BANK 11 SENSE



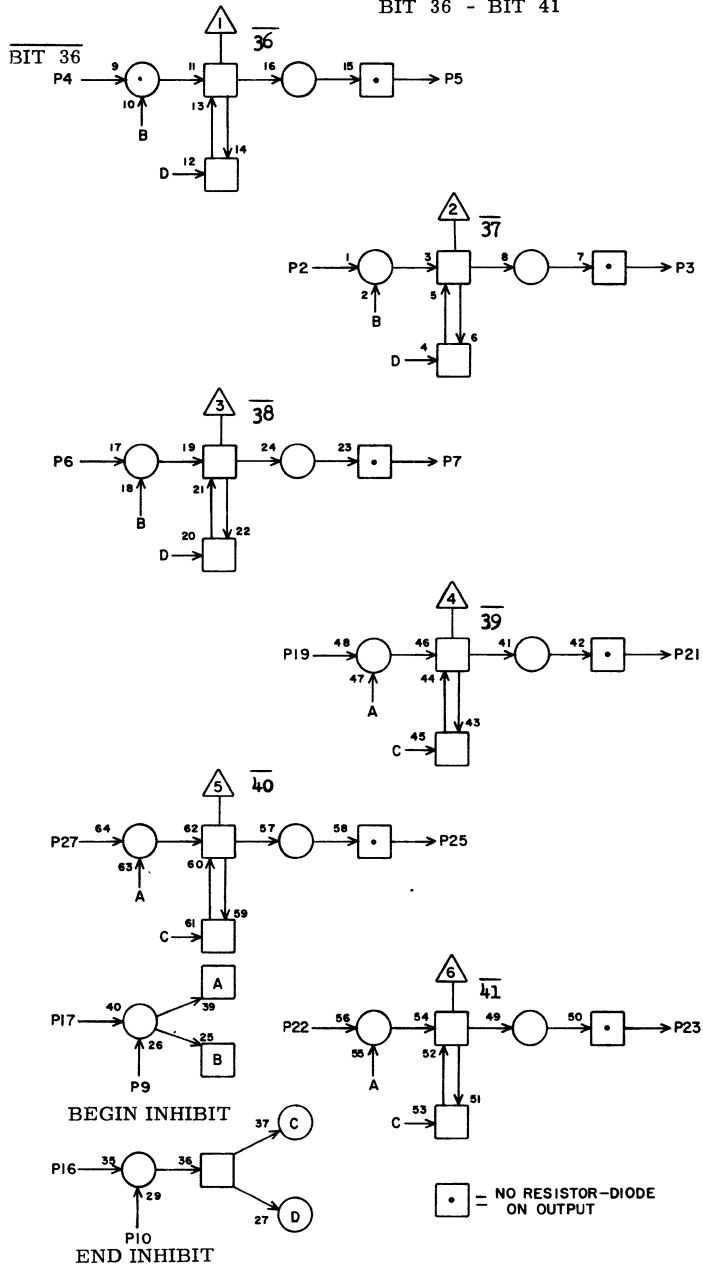
PS 9F34

1			
2	D26	19	11
3			
4	D26	21	11
5	H36	25	13
6			
7			
8	D26	9	13
9			
10	D26	11	13
11	H37	13	13
12			
13			
14			
15			
16	D33	10	9
17			
18	D33	12	9
19	H37	9	11
20			
21			
22	D33	20	9
23			
24	D33	22	9
25	H37	25	13
26	F33	28	3
27	F18	17	17
28	F38	26	7

JACK PIN LG

63017100 Rev. D

BANK 11 RESTORE
BIT 36 - BIT 41



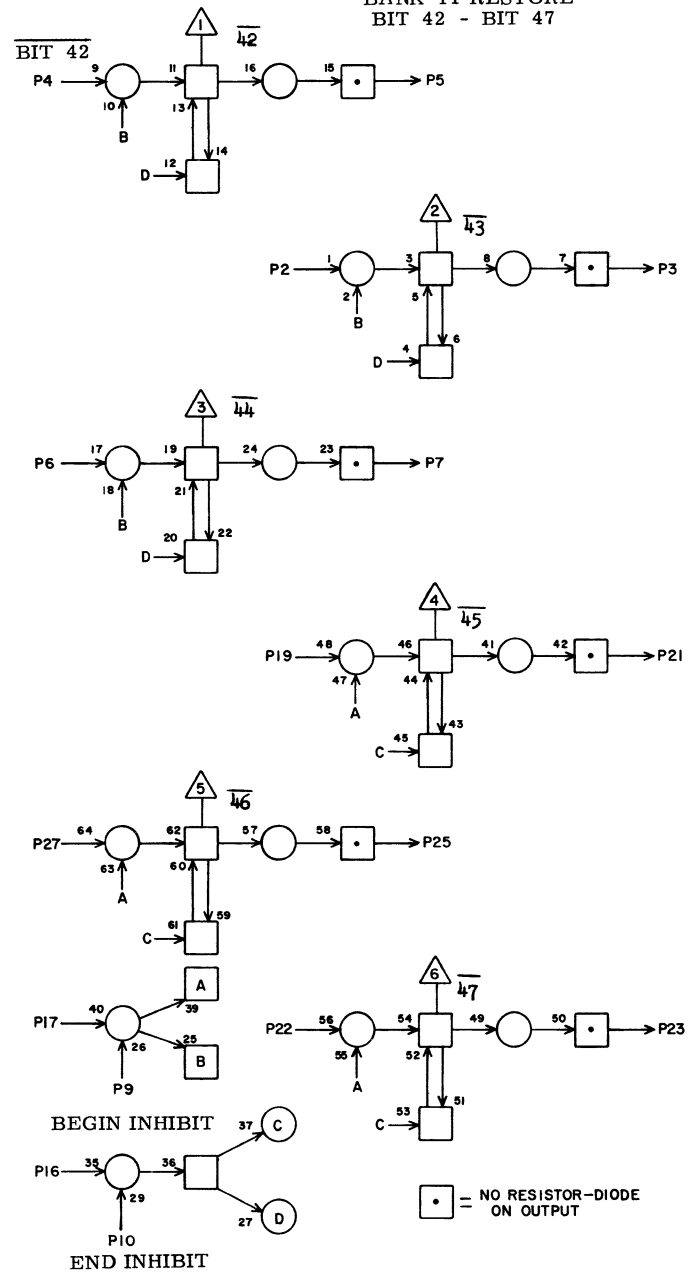
SPECIAL MODULE PZ 9 F35

1			
2	G13	8	23
3	D33	5	9
4	G13	4	23
5	D33	29	7
6	G13	25	23
7	D26	6	13
8			
9	F20	7	17
10	F20	17	17
11			
12			
13			
14			
15			
16	F21	25	17
17	F21	9	17
18			
19	G13	22	23
20			
21	D26	26	13
22	G14	8	23
23	D33	1	11
24			
25	D33	27	9
26			
27	G14	4	23
28			

JACK PIN LG

63017100 Rev. D

BANK 11 RESTORE
BIT 42 - BIT 47



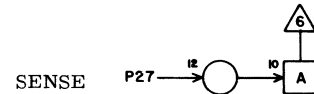
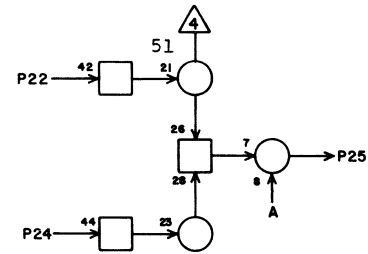
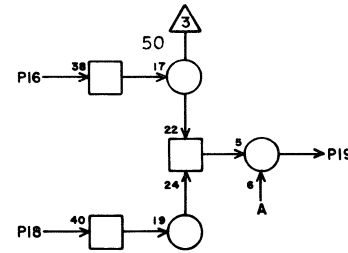
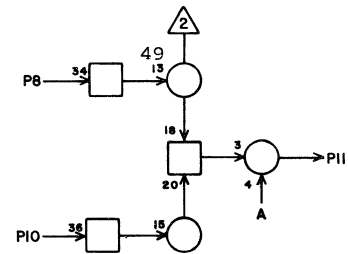
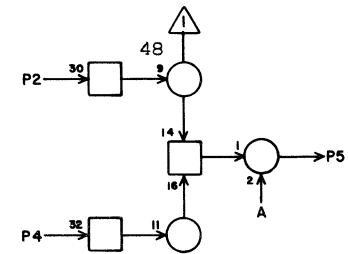
SPECIAL MODULE PZ 9 F36

1			
2	G14	22	23
3	D26	4	13
4	G14	25	23
5	D26	28	13
6	G15	4	23
7	D33	3	11
8			
9	F20	9	17
10	F20	19	17
11			
12			
13			
14			
15			
16	F21	26	17
17	F21	10	17
18			
19	G15	8	23
20			
21	D33	25	9
22	G15	22	23
23	D26	2	15
24			
25	D26	30	15
26			
27	G15	25	23
28			

JACK PIN LG

63017100 Rev. D

BANK 11 . SENSE



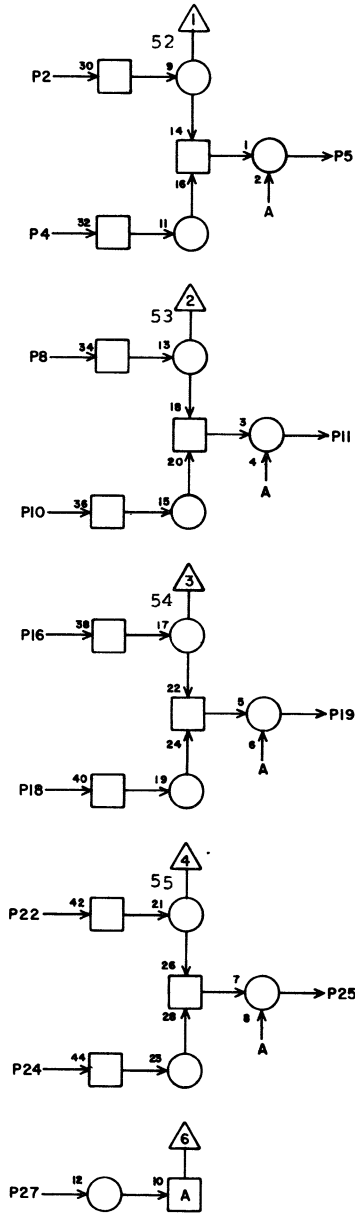
PS 9 F 38

1			
2	D35	1	11
3			
4	D35	3	11
5	H39	13	13
6			
7			
8	D35	27	9
9			
10	D35	29	9
11	H39	9	11
12			
13			
14			
15			
16	D42	28	9
17			
18	D42	30	9
19	H39	25	13
20			
21			
22	D42	2	13
23			
24	D42	4	13
25	H40	13	11
26	F34	28	7
27	F18	19	21
28	F39	26	3

JACK PIN LG

63017100 Rev. D

BANK 11 \SENSE



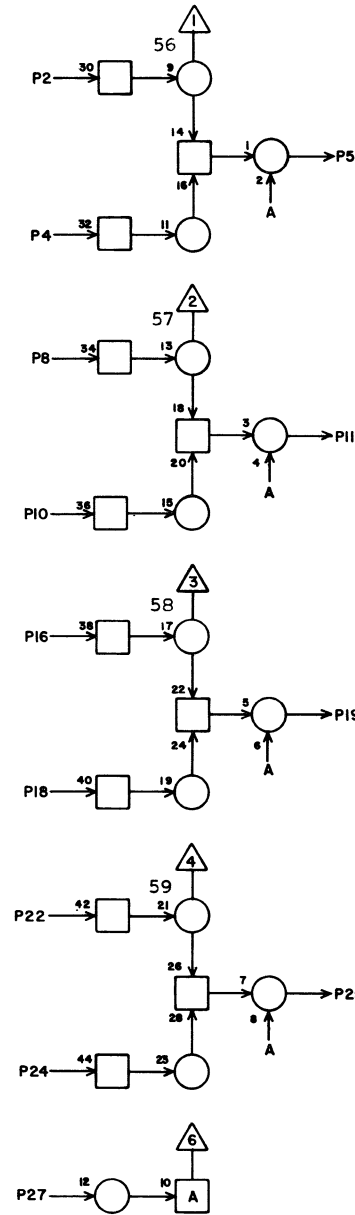
PS 9 F 39

1			
2	D35	5	11
3			
4	D35	7	11
5	H40	9	11
6			
7			
8	D35	23	9
9			
10	D35	25	9
11	H40	25	13
12			
13			
14			
15			
16	D42	6	11
17			
18	D42	8	11
19	H41	13	11
20			
21			
22	D42	24	9
23			
24	D42	26	9
25	H41	9	11
26	F38	28	3
27	F18	21	23
28	F40	26	3

JACK PIN LG

63017100 Rev. D

BANK 11 SENSE



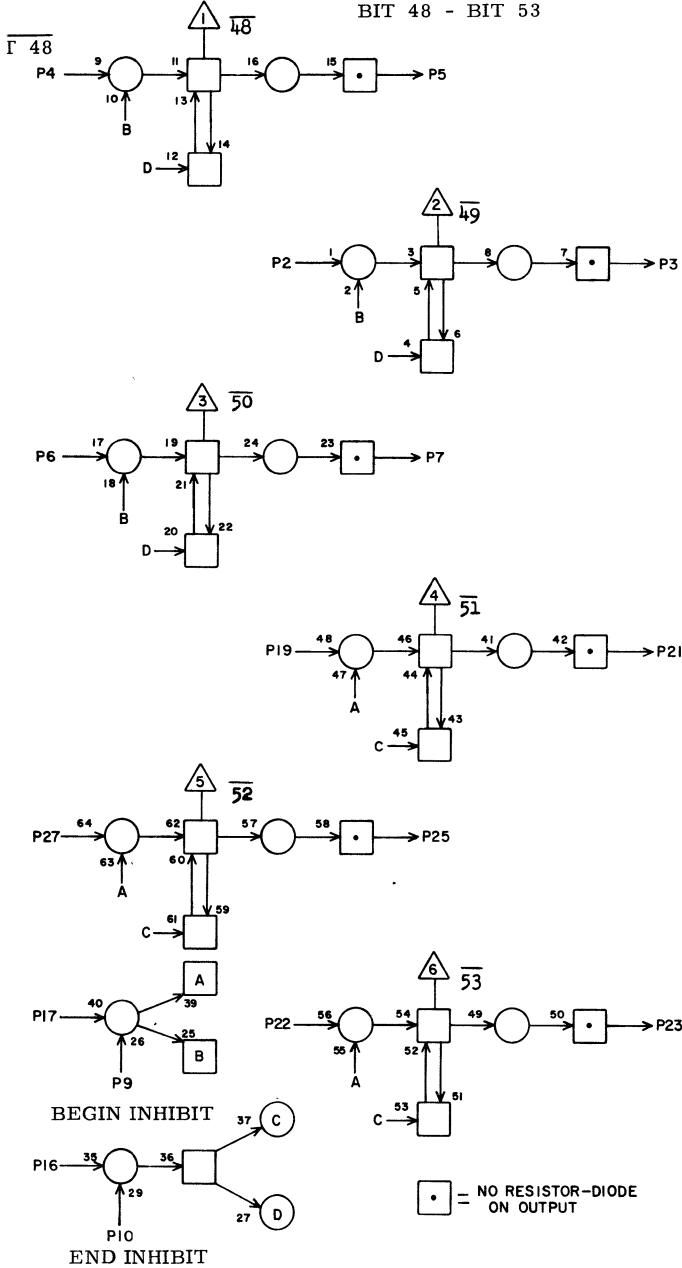
PS 9F 40

1			
2	D35	19	9
3			
4	D35	21	9
5	H41	25	13
6			
7			
8	D35	9	11
9			
10	D35	11	11
11	H42	13	13
12			
13			
14			
15			
16	D42	10	11
17			
18	D42	12	11
19	H42	9	11
20			
21			
22	D42	20	11
23			
24	D42	22	11
25	H42	25	11
26	F39	28	5
27	F18	23	23
28			

JACK PIN LG

63017100 Rev. D

BANK 11 RESTORE
BIT 48 - BIT 53



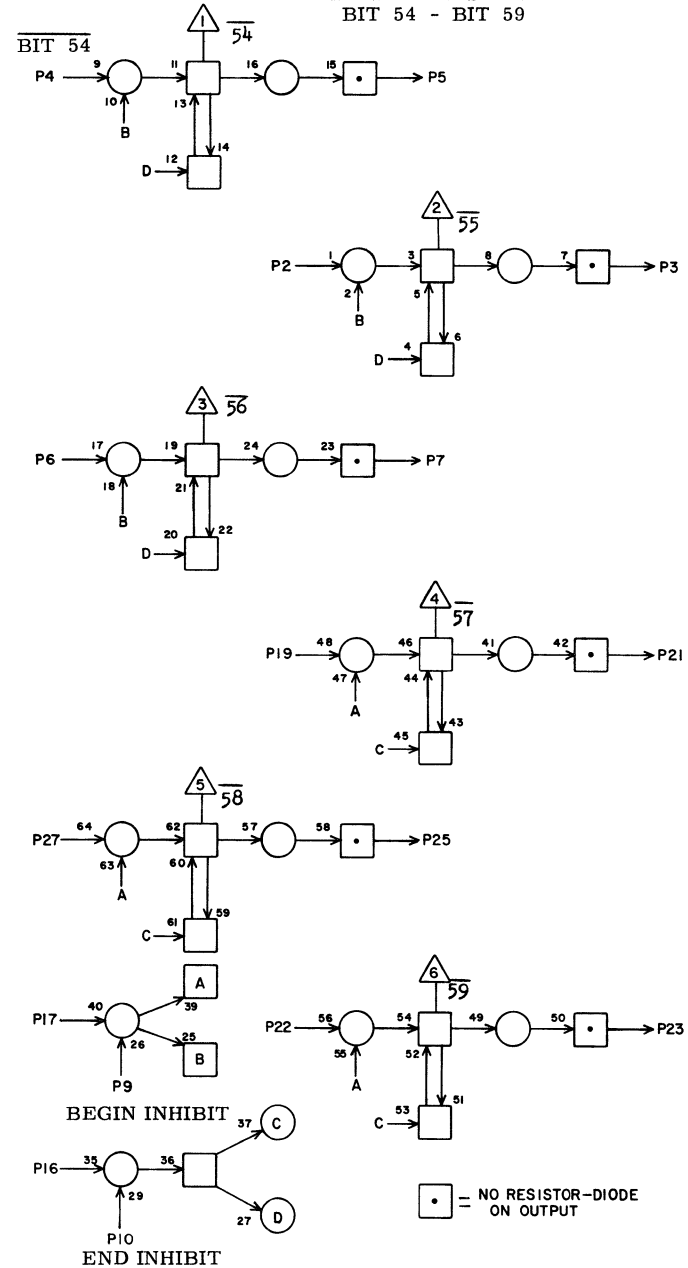
SPECIAL MODULE P2 9 F41

1			
2	G17	8	25
3	D42	5	9
4	G17	4	25
5	D42	29	7
6	G17	25	25
7	D35	6	13
8			
9	F20	11	23
10	F20	21	23
11			
12			
13			
14			
15			
16	F21	27	21
17	F21	11	21
18			
19	G17	22	25
20			
21	D35	26	13
22	G18	8	23
23	D42	1	11
24			
25	D42	27	9
26			
27	G18	4	25
28			

JACK PIN LG

63017100 Rev. D

BANK 11 RESTORE
BIT 54 - BIT 59

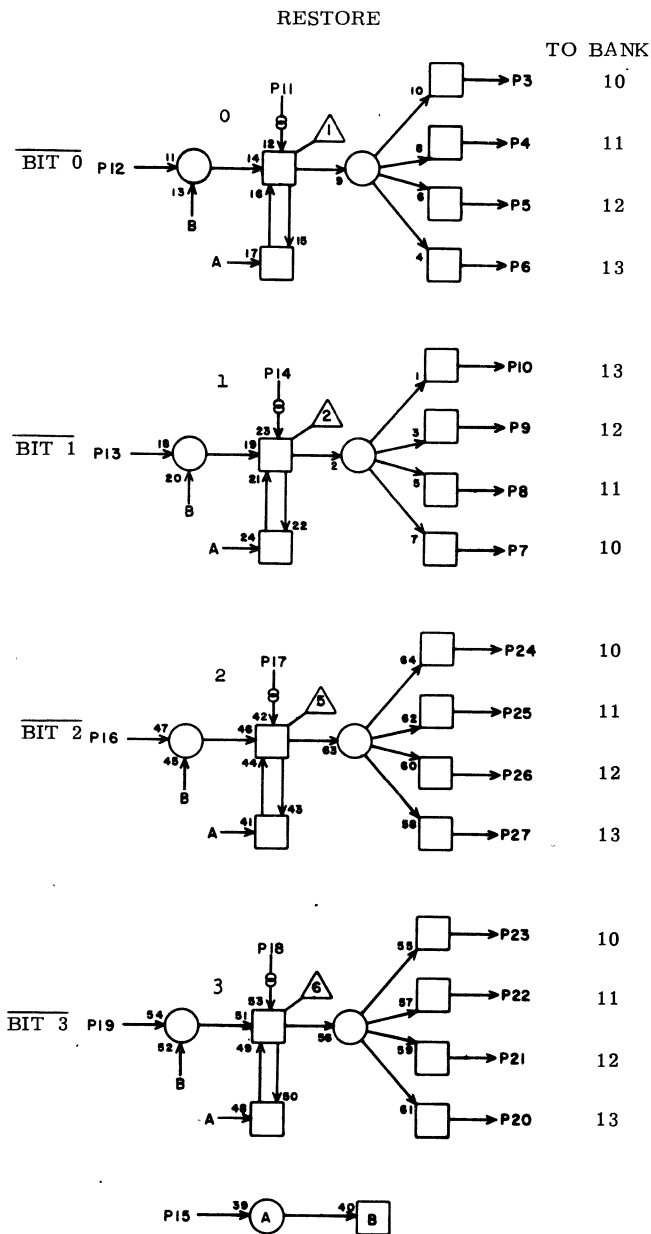


SPECIAL MODULE P2 9 F42

1			
2	G18	22	25
3	D35	4	13
4	G18	25	25
5	D35	28	11
6	G19	4	25
7	D42	3	9
8			
9	F20	13	23
10	F20	23	23
11			
12			
13			
14			
15			
16	F21	28	23
17	F21	12	23
18			
19	G19	8	25
20			
21	D42	25	9
22	G19	22	23
23	D35	2	15
24			
25	D35	30	13
26			
27	G19	25	23
28			

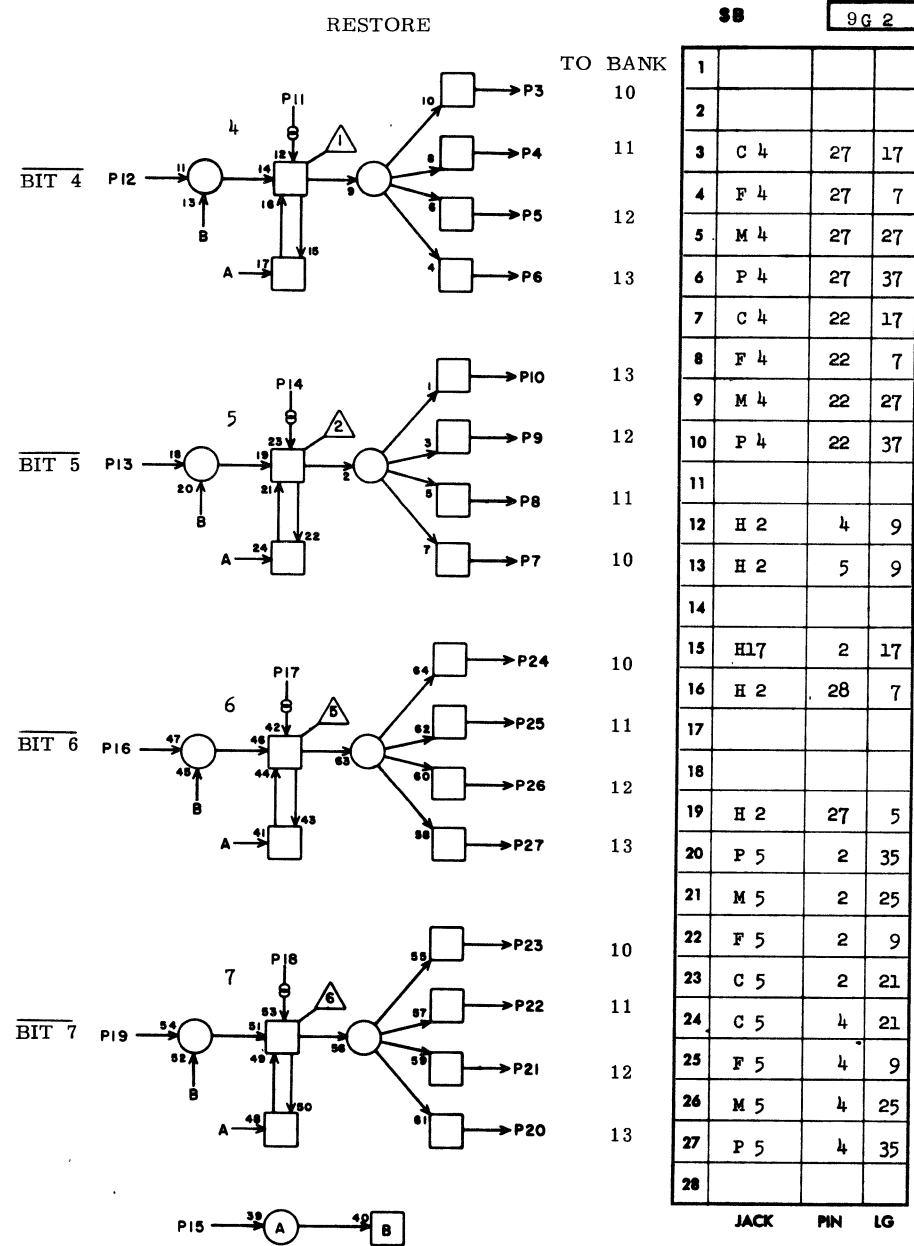
JACK PIN LG

63017100 Rev. D



88		9G 1	
1			
2			
3	C 4	4	19
4	F 4	4	9
5	M 4	4	25
6	P 4	4	35
7	C 4	2	19
8	F 4	2	9
9	M 4	2	25
10	P 4	2	35
11			
12	H 1	4	7
13	H 1	5	7
14			
15	H17	1	17
16	H 1	28	7
17			
18			
19	H 1	27	7
20	P 4	19	37
21	M 4	19	25
22	F 4	19	9
23	C 4	19	19
24	C 4	6	19
25	F 4	6	9
26	M 4	6	25
27	P 4	6	35
28			
JACK	PIN	LG	

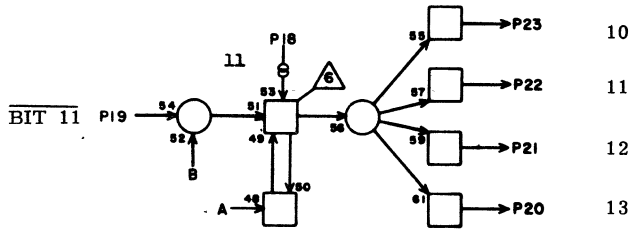
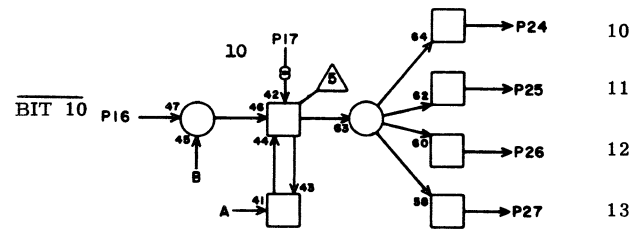
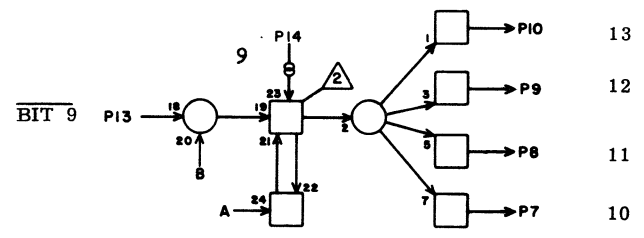
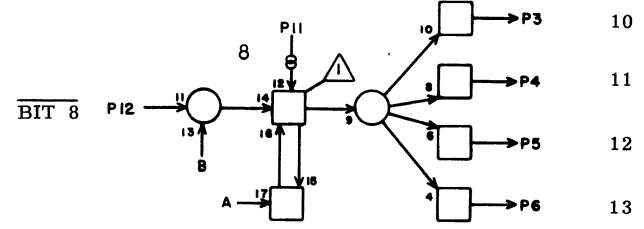
63017100 Rev. D



88		9G 2	
1			
2			
3	C 4	27	17
4	F 4	27	7
5	M 4	27	27
6	P 4	27	37
7	C 4	22	17
8	F 4	22	7
9	M 4	22	27
10	P 4	22	37
11			
12	H 2	4	9
13	H 2	5	9
14			
15	H17	2	17
16	H 2	28	7
17			
18			
19	H 2	27	5
20	P 5	2	35
21	M 5	2	25
22	F 5	2	9
23	C 5	2	21
24	C 5	4	21
25	F 5	4	9
26	M 5	4	25
27	P 5	4	35
28			
JACK	PIN	LG	

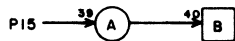
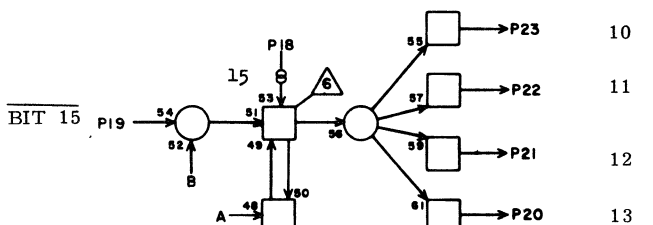
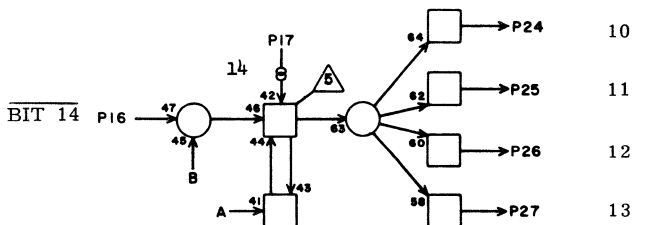
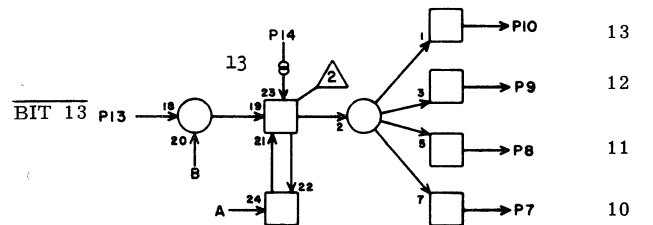
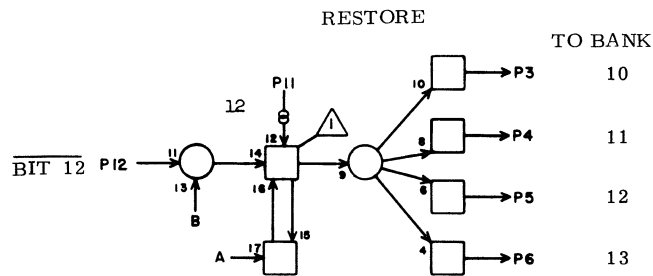
63017100 Rev. D

RESTORE TO BANK



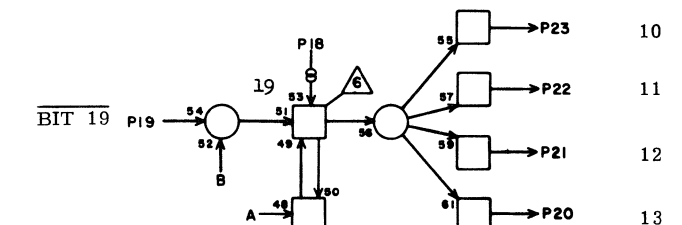
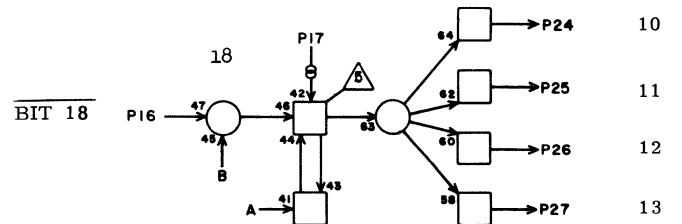
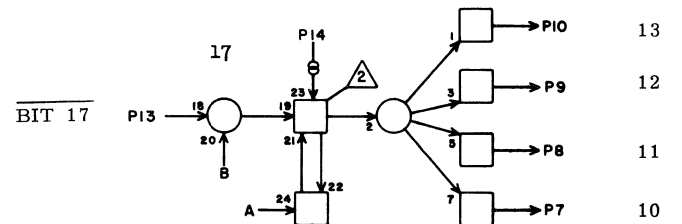
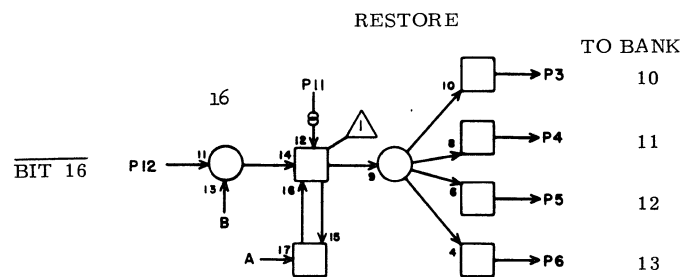
1			
2			
3	C 5	6	19
4	F 5	6	7
5	M 5	6	25
6	P 5	6	37
7	C 5	19	17
8	F 5	19	7
9	M 5	19	27
10	P 5	19	37
11			
12	H 3	4	7
13	H 3	5	7
14			
15	H17	4	15
16	H 3	28	9
17			
18			
19	H 3	27	7
20	P 5	22	37
21	M 5	22	27
22	F 5	22	7
23	C 5	22	17
24	C 5	27	17
25	F 5	27	7
26	M 5	27	27
27	P 5	27	37
28			

JACK PIN LG



9G 5	
JACK	PIN LG
1	
2	
3	C10 4 19
4	F10 4 9
5	M10 4 25
6	P10 4 35
7	C10 2 19
8	F10 2 9
9	M10 2 25
10	P10 2 35
11	
12	H 4 4 7
13	H 4 5 7
14	
15	H17 6 15
16	H 4 28 7
17	
18	
19	H 4 27 7
20	P10 19 37
21	M10 19 25
22	F10 19 9
23	C10 19 19
24	C10 6 21
25	F10 6 11
26	M10 6 25
27	P10 6 35
28	

63017100 Rev.D

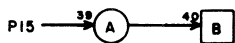
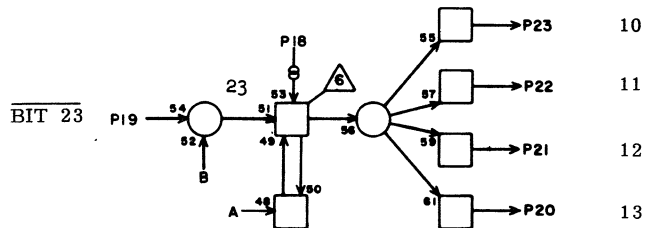
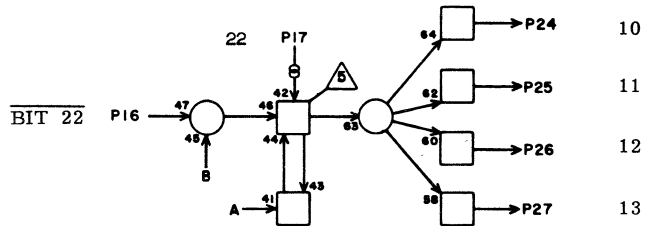
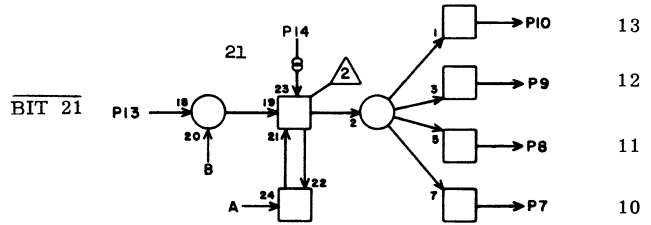
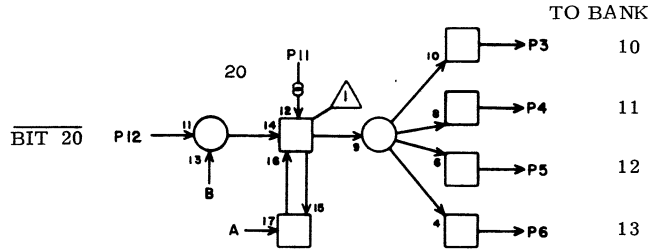


9G 6	
JACK	PIN LG
1	
2	
3	C10 27 17
4	F10 27 7
5	M10 27 27
6	P10 27 37
7	C10 22 17
8	F10 22 7
9	M10 22 27
10	P10 22 37
11	
12	H 5 4 7
13	H 5 5 7
14	
15	H17 7 13
16	H 5 28 7
17	
18	
19	H 5 27 7
20	P11 2 35
21	M11 2 25
22	F11 2 11
23	C11 2 19
24	C11 4 21
25	F11 4 11
26	M11 4 25
27	P11 4 35
28	

63017100 Rev.D

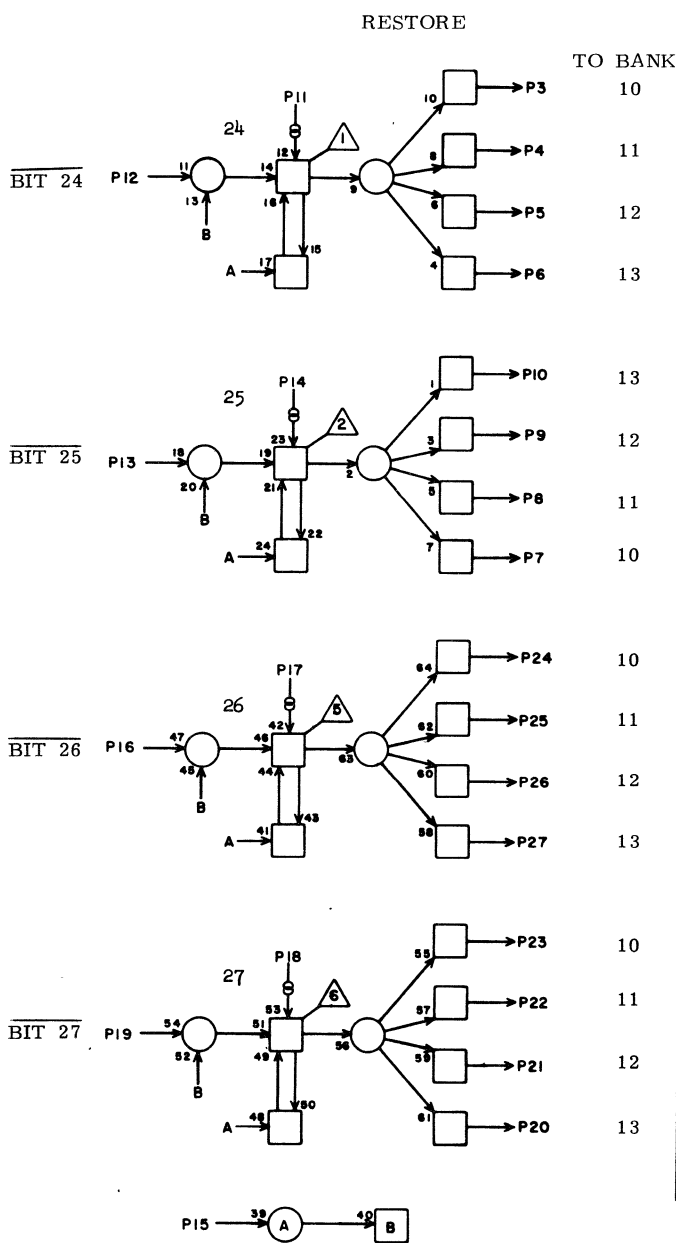
RESTORE

SB 9G 7



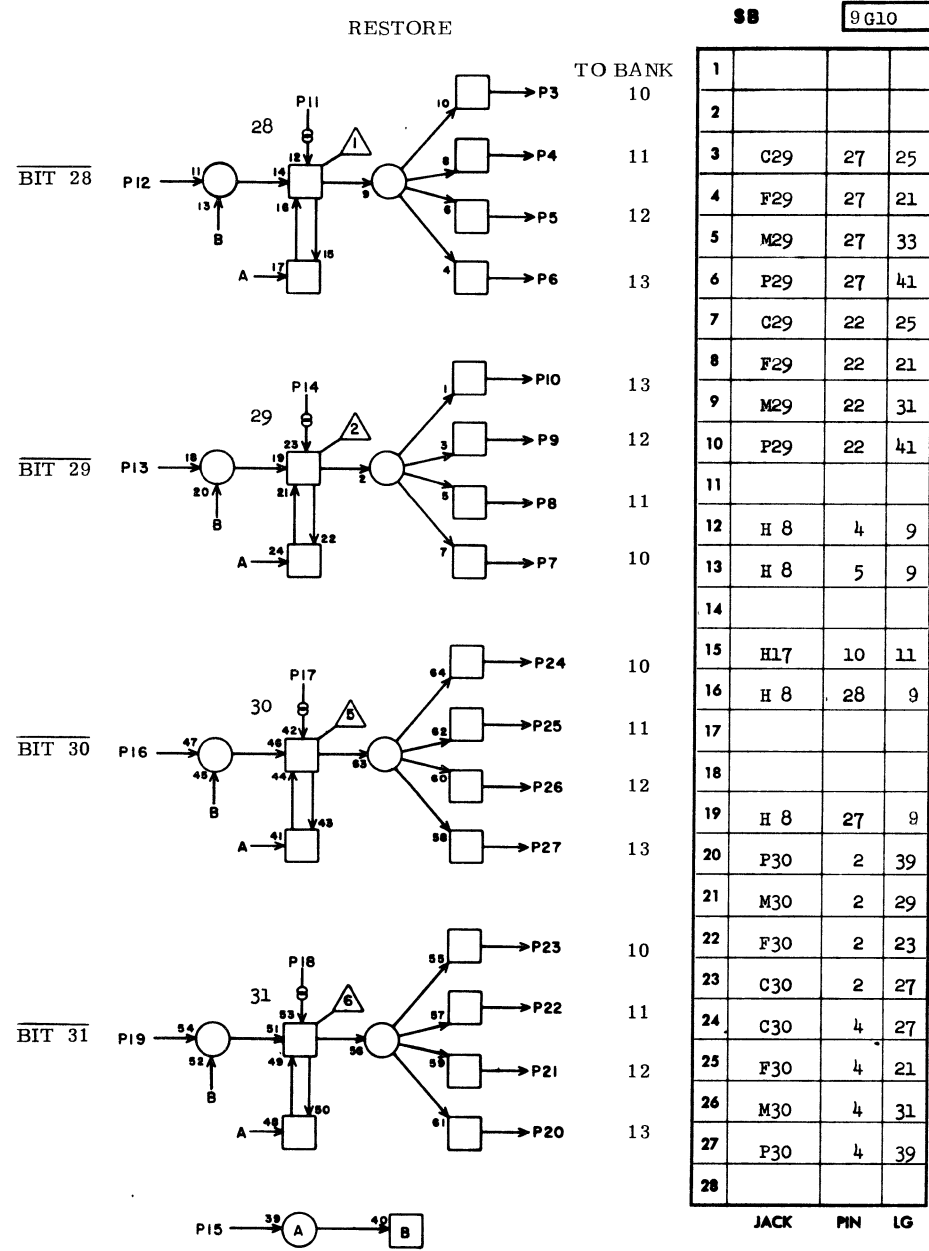
1			
2			
3	C11	6	17
4	F11	6	9
5	M11	6	27
6	P11	6	37
7	C11	19	17
8	F11	19	9
9	M11	19	27
10	F11	19	37
11			
12	H 6	4	7
13	H 6	5	7
14			
15	H17	8	13
16	H 6	28	7
17			
18			
19	H 6	27	7
20	P11	22	37
21	M11	22	25
22	F11	22	9
23	C11	22	19
24	C11	27	17
25	F11	27	9
26	M11	27	27
27	P11	27	37
28			

JACK PIN LG



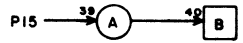
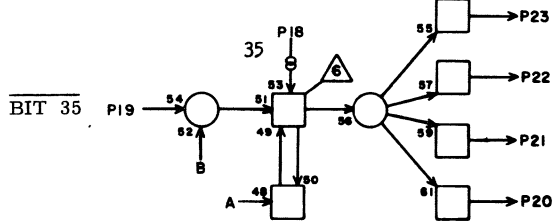
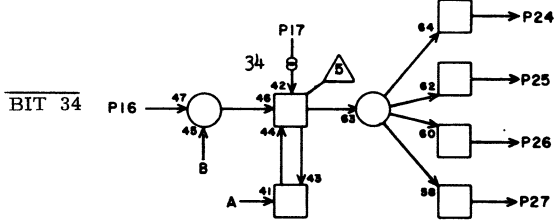
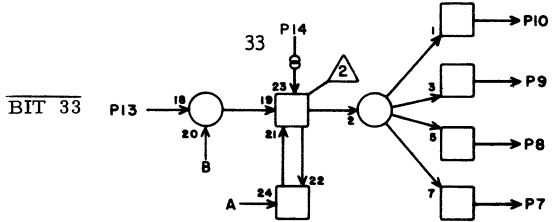
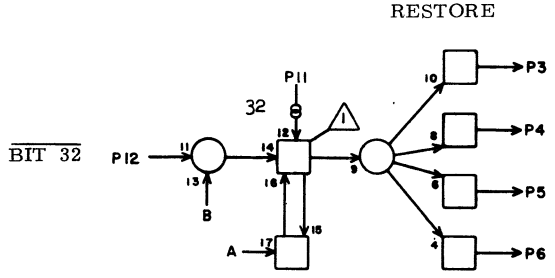
	98	9G 9	
1			
2			
3	C29	4	27
4	F29	4	21
5	M29	4	31
6	P29	4	41
7	C29	2	27
8	F29	2	21
9	M29	2	31
10	P29	2	39
11			
12	H 7	4	7
13	H 7	5	7
14			
15	H17	9	11
16	H 7	28	7
17			
18			
19	H 7	27	7
20	P29	19	41
21	M29	19	35
22	F29	19	21
23	C29	19	27
24	C29	6	27
25	F29	6	23
26	M29	6	31
27	P29	6	39
28			

JACK PIN LG



	98	9G10	
1			
2			
3	C29	27	25
4	F29	27	21
5	M29	27	33
6	P29	27	41
7	C29	22	25
8	F29	22	21
9	M29	22	31
10	P29	22	41
11			
12	H 8	4	9
13	H 8	5	9
14			
15	H17	10	11
16	H 8	28	9
17			
18			
19	H 8	27	9
20	P30	2	39
21	M30	2	29
22	F30	2	23
23	C30	2	27
24	C30	4	27
25	F30	4	21
26	M30	4	31
27	P30	4	39
28			

JACK PIN LG

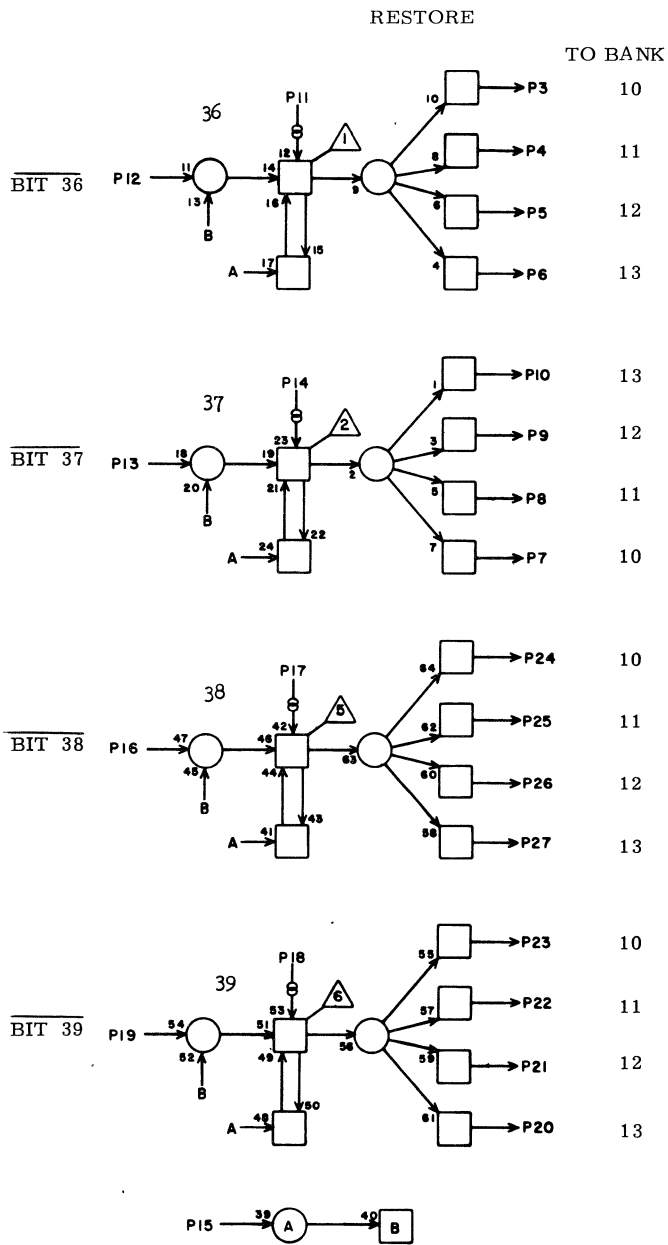


SB 9 G11

TO BANK

1			
2			
3	C30	6	25
4	F30	6	21
5	M30	6	31
6	P30	6	41
7	C30	19	25
8	F30	19	21
9	M30	19	31
10	P30	19	41
11			
12	H 9	4	9
13	H 9	5	9
14			
15	H17	11	11
16	H 9	28	9
17			
18			
19	H 9	27	9
20	P30	22	39
21	M30	22	31
22	F30	22	21
23	C30	22	25
24	C30	27	27
25	F30	27	21
26	M30	27	31
27	P30	27	39
28			

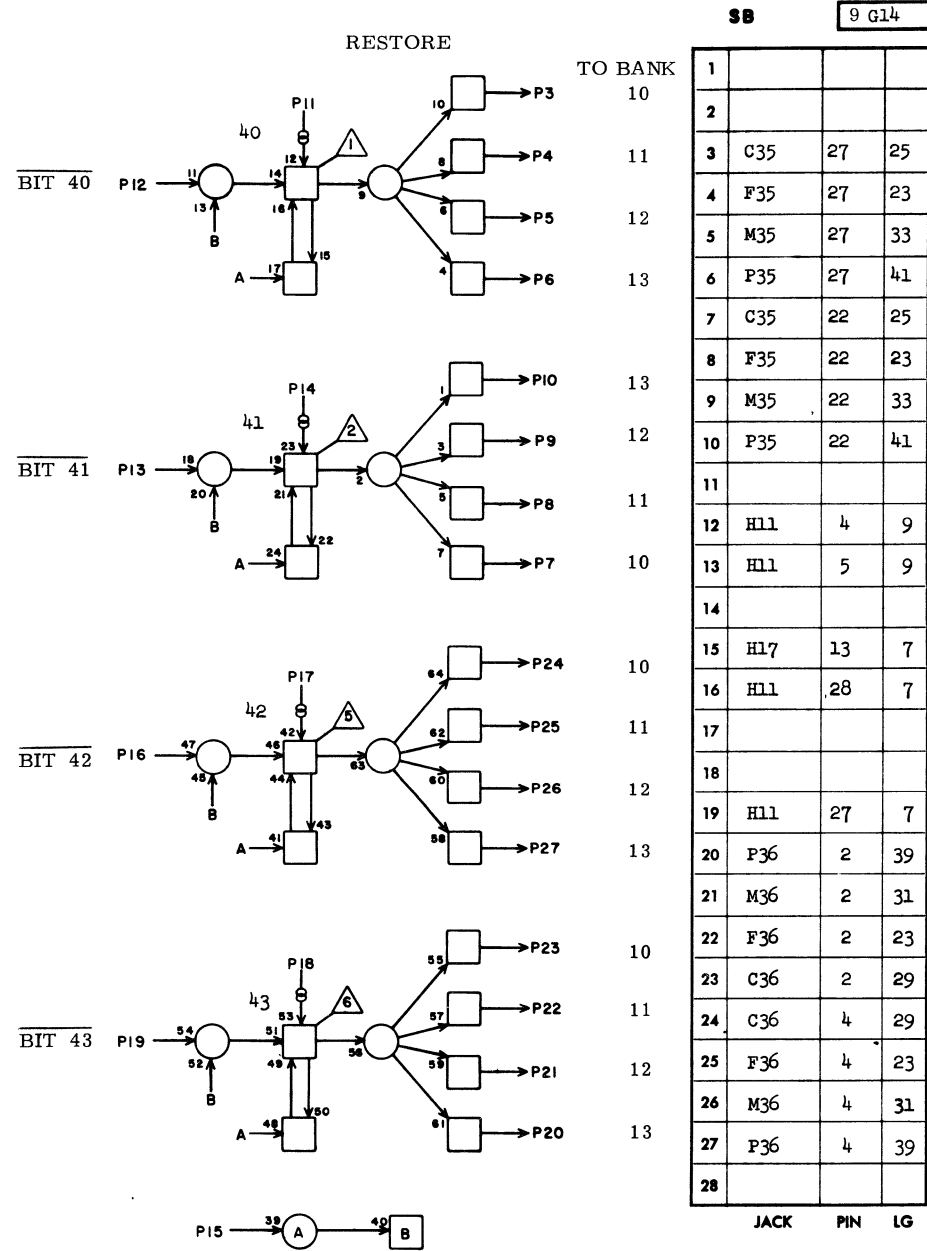
JACK PIN LG



38		9 G13	
1			
2			
3	C35	4	27
4	F35	4	23
5	M35	4	33
6	P35	4	41
7	C35	2	27
8	F35	2	23
9	M35	2	31
10	P35	2	41
11			
12	H10	4	7
13	H10	5	7
14			
15	H17	12	9
16	H10	28	9
17			
18			
19	H10	27	9
20	P35	19	41
21	M35	19	33
22	F35	19	23
23	C35	19	27
24	C35	6	27
25	F35	6	23
26	M35	6	31
27	P35	6	39
28			

JACK PIN LG

63017100 Rev. D

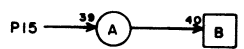
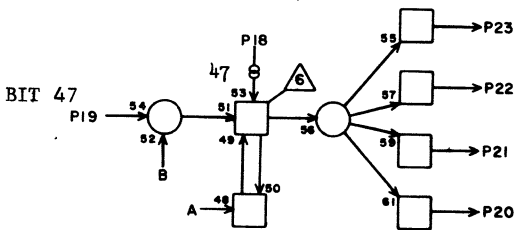
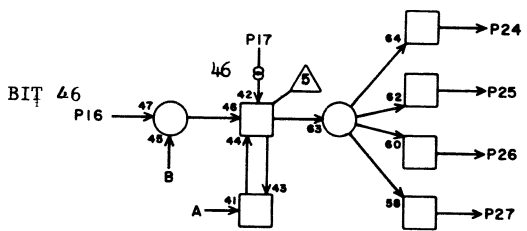
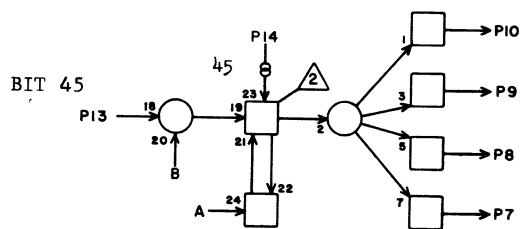
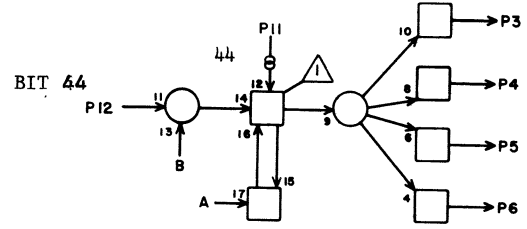


38		9 G14	
1			
2			
3	C35	27	25
4	F35	27	23
5	M35	27	33
6	P35	27	41
7	C35	22	25
8	F35	22	23
9	M35	22	33
10	P35	22	41
11			
12	H11	4	9
13	H11	5	9
14			
15	H17	13	7
16	H11	28	7
17			
18			
19	H11	27	7
20	P36	2	39
21	M36	2	31
22	F36	2	23
23	C36	2	29
24	C36	4	29
25	F36	4	23
26	M36	4	31
27	P36	4	39
28			

JACK PIN LG

63017100 Rev. D

RESTORE



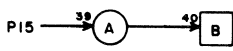
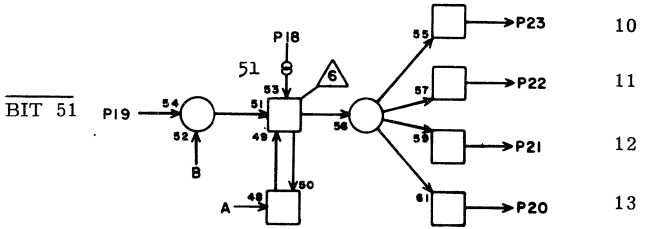
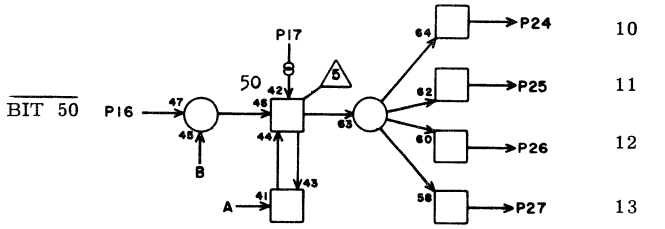
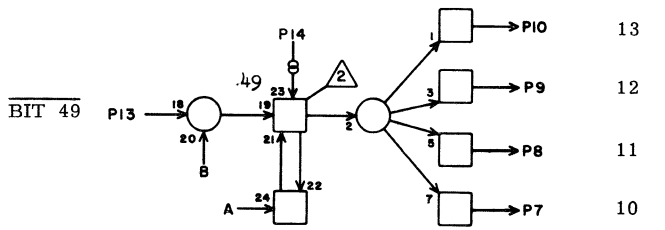
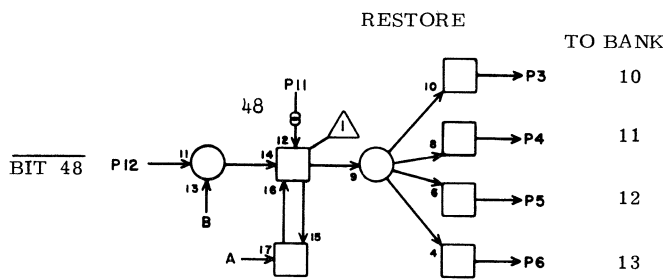
TO BANK

- 10
- 11
- 12
- 13
- 13
- 12
- 11
- 10
- 10
- 11
- 12
- 13
- 10
- 11
- 12
- 13
- 10
- 11
- 12
- 13
- 10
- 11
- 12
- 13

SB 9 G15

1			
2			
3	C36	6	27
4	F36	6	23
5	M36	6	31
6	P36	6	41
7	C36	19	27
8	F36	19	23
9	M36	19	33
10	P36	19	41
11			
12	H12	4	9
13	H12	5	9
14			
15	H17	15	9
16	H12	28	9
17			
18			
19	H12	27	9
20	P36	22	41
21	M36	22	31
22	F36	22	23
23	C36	22	27
24	C36	27	27
25	F36	27	23
26	M36	27	33
27	P36	27	41
28			

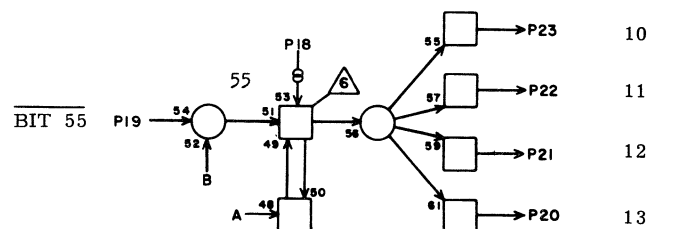
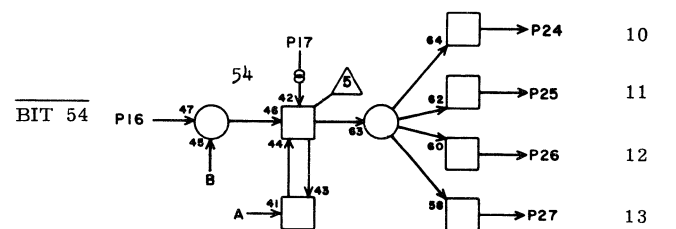
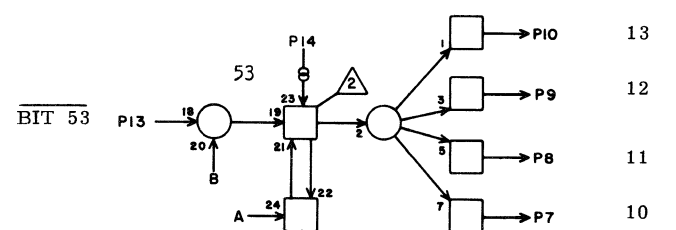
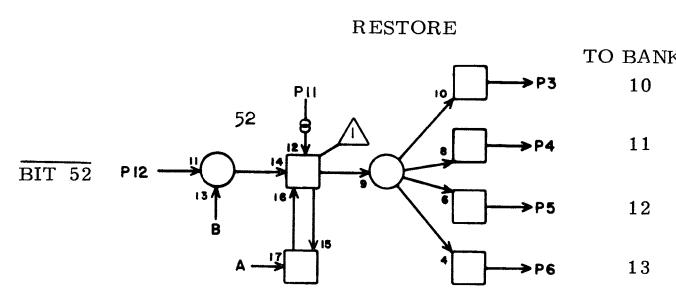
JACK PIN LG



SB		9 G17	
1			
2			
3	C41	4	29
4	F41	4	25
5	M41	4	33
6	P41	4	41
7	C41	2	29
8	F41	2	25
9	M41	2	33
10	P41	2	41
11			
12	H13	4	9
13	H13	5	3
14			
15	G36	22	23
16	H13	28	9
17			
18			
19	H13	27	9
20	P41	19	41
21	M41	19	33
22	F41	19	25
23	C41	19	29
24	C41	6	29
25	F41	6	25
26	M41	6	33
27	P41	6	39
28			

JACK PIN LG

63017100 Rev. D



SB		9 G18	
1			
2			
3	C41	27	27
4	F41	27	25
5	M41	27	33
6	P41	27	43
7	C41	22	27
8	F41	22	23
9	M41	22	33
10	P41	22	43
11			
12	H14	4	11
13	H14	5	11
14			
15	G36	23	21
16	H14	28	9
17			
18			
19	H14	27	9
20	P42	2	39
21	M42	2	31
22	F42	2	25
23	C42	2	29
24	C42	4	29
25	F42	4	25
26	M42	4	33
27	P42	4	39
28			

JACK PIN LG

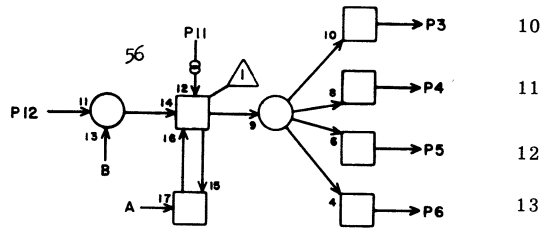
63017100 Rev. D

RESTORE

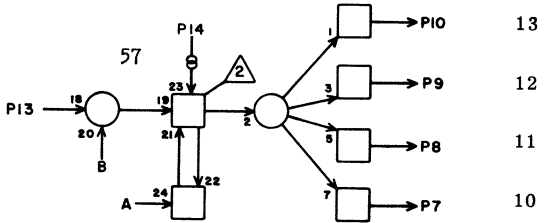
SB 9 G19

TO BANK

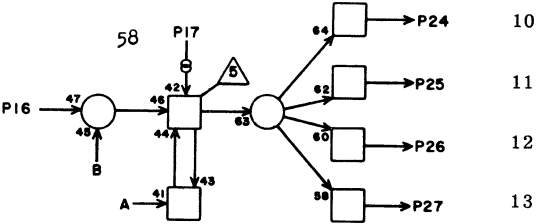
BIT 56



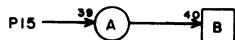
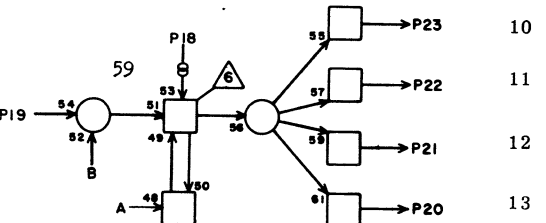
BIT 57



BIT 58

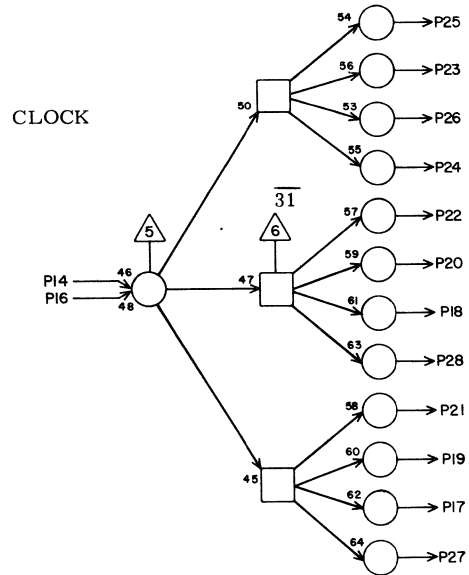
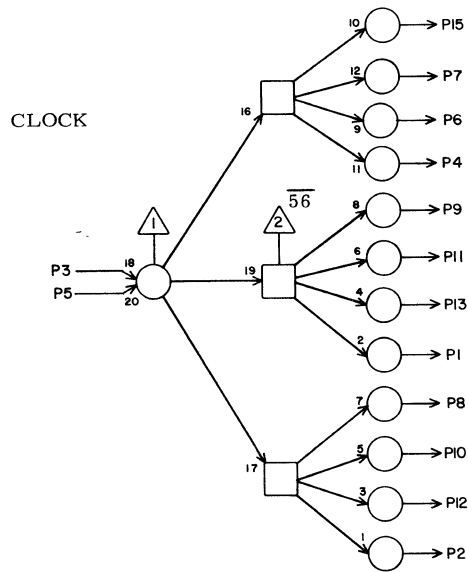


BIT 59



1			
2			
3	C42	6	29
4	F42	6	25
5	M42	6	33
6	P42	6	41
7	C42	19	27
8	F42	19	25
9	M42	19	33
10	P42	19	41
11			
12	H15	4	9
13	H15	5	9
14			
15	G36	24	21
16	H15	28	9
17			
18			
19	H15	27	9
20	P42	22	41
21	M42	22	33
22	F42	22	23
23	C42	22	29
24	C42	27	29
25	F42	27	23
26	M42	27	33
27	P42	27	41
28			

JACK PIN LG



TC 9 G21

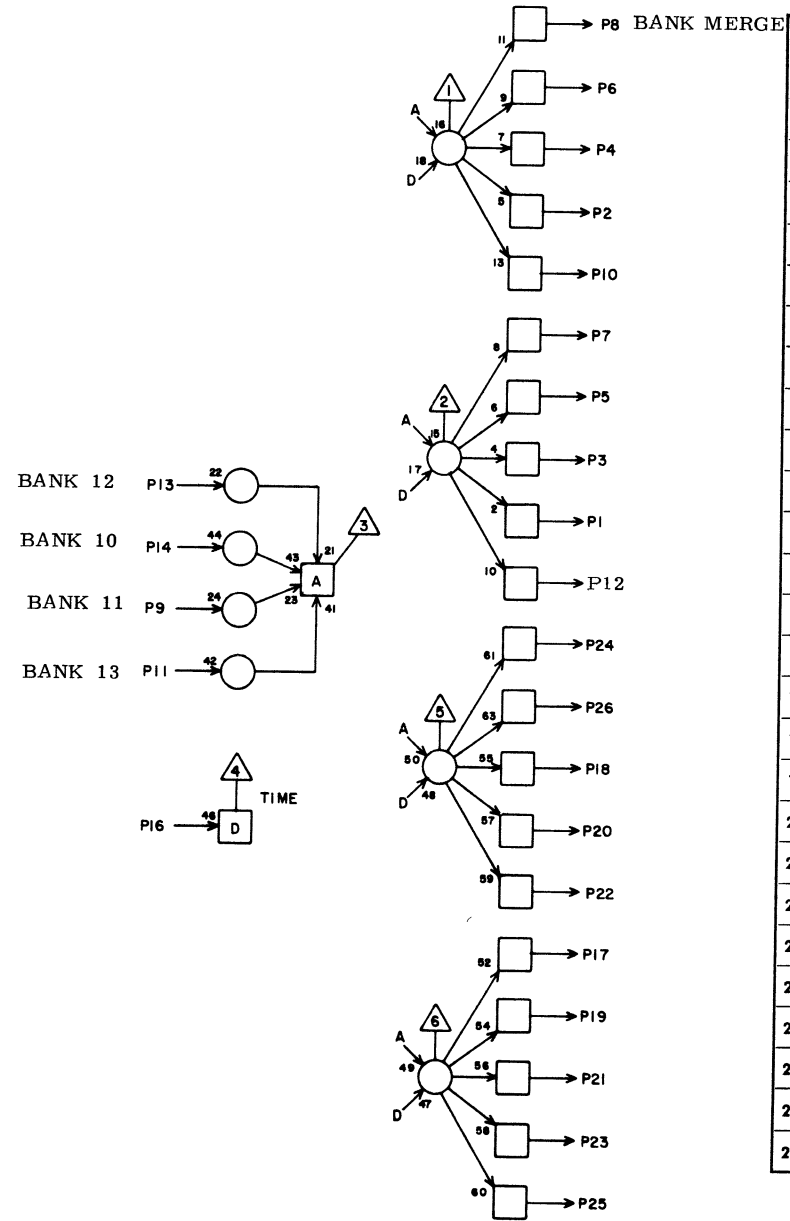
1	C22	14	17
2	C23	14	21
3	G32	26	37
4	C24	14	17
5	G21	X	2
6	C25	14	19
7	F22	14	7
8	F23	14	7
9	F24	14	7
10	F25	14	9
11	M22	14	25
12	M23	14	27
13	M24	14	27
14	G32	8	37
15	M25	14	25
16	G21	X	2
17	C15	16	19
18	C17	16	19
19	F15	16	11
20	F17	16	9
21	M17	16	25
22	M15	16	25
23	P15	16	35
24	P17	16	35
25			
26			
27			
28			

JACK PIN LG

STORAGE SEQUENCE CONTROL

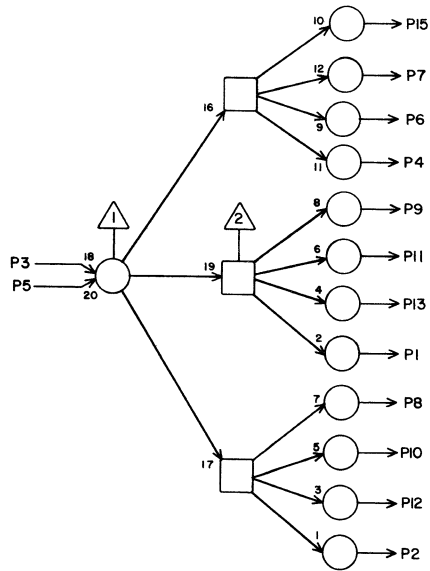
SG

9G24



1	H19	17	11
2	H20	17	9
3	H26	17	9
4	H21	17	9
5	H29	17	9
6	H22	17	9
7	H24	17	9
8	H25	17	9
9	F18	12	11
10	H27	17	9
11	P18	12	35
12	H30	17	11
13	M18	12	27
14	C18	12	21
15			
16	F13	25	53
17	H31	17	11
18	H32	17	13
19	H34	17	13
20	H35	17	15
21	H36	17	15
22	H37	17	19
23	H39	17	19
24	H40	17	19
25	H41	17	19
26	H42	17	19
27			
28			

JACK PIN LG



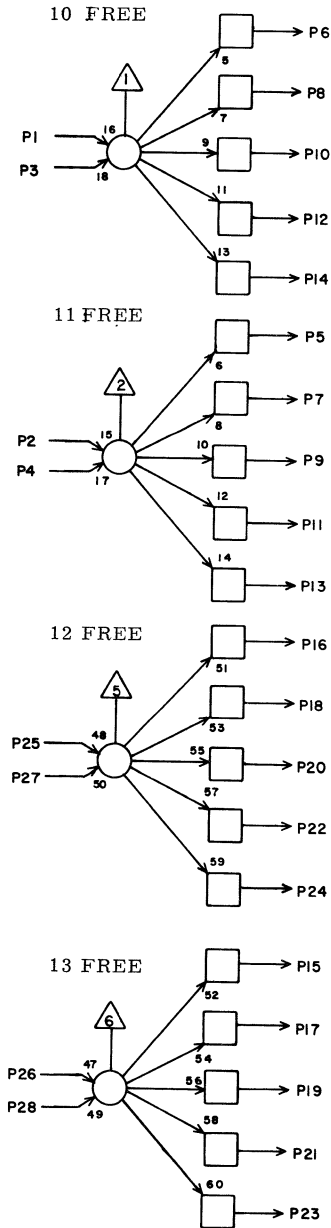
TC 9 G25

1			
2			
3			
4			
5			
6			
7			
8			
9			
10			
11			
12			
13			
14	G33	12	37
15			
16	G25	X	2
17	H24	15	7
18	H25	15	7
19	H26	15	7
20	H27	15	7
21	H29	15	9
22	H30	15	9
23	H31	15	9
24	H32	15	11
25	H34	15	13
26	H35	15	13
27	H36	15	15
28	H37	15	15

JACK PIN LG

63017100 Rev. N

STORAGE SEQUENCE CONTROL



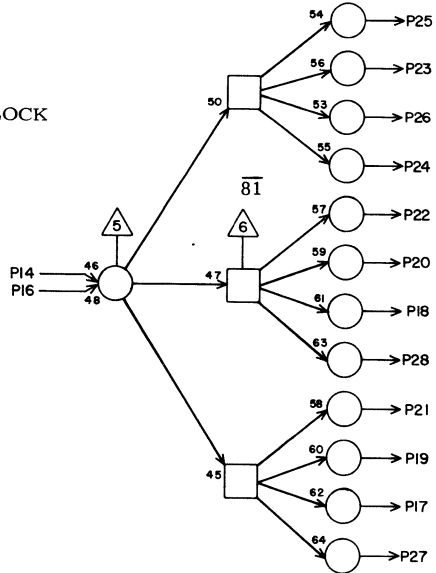
T D 9G26

1	G29	19	7
2	G29	13	7
3	G26	X	2
4	G26	X	2
5	F22	16	9
6	G39	26	15
7	F23	16	7
8	C22	16	17
9	F24	16	7
10	C23	16	19
11	F25	16	7
12	C24	16	19
13	G39	27	15
14	C25	16	19
15	P22	16	37
16	M22	16	25
17	P23	16	37
18	M23	16	25
19	P24	16	35
20	M24	16	25
21	P25	16	35
22	M25	16	25
23	G39	2	15
24	G39	5	15
25	G26	X	2
26	G26	X	2
27	G29	14	7
28	G29	20	7

JACK PIN LG

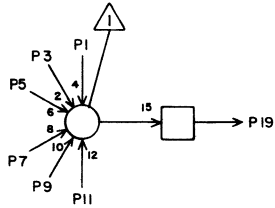
63017100 Rev. D

CLOCK

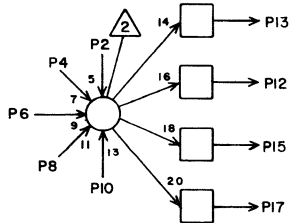


STORAGE SEQUENCE CONTROL

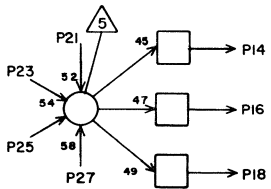
10 FREE



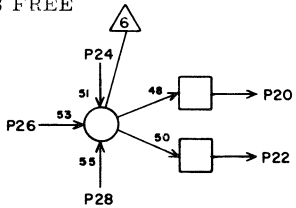
11 FREE



12 FREE



13 FREE



TB

9G29

1	C14	22	23
2	F14	9	17
3	C14	9	23
4	F14	22	17
5	C16	23	21
6	F16	23	15
7	G29	X	2
8	G29	X	2
9	G29	X	2
10	G29	X	2
11	G29	X	2
12			
13	G26	2	7
14	G26	27	7
15			
16			
17			
18			
19	G26	1	7
20	G26	28	7
21	M14	9	29
22			
23	M14	22	31
24	P14	9	37
25	M16	23	29
26	P14	22	37
27	G29	X	2
28	P16	23	37

JACK PIN LG

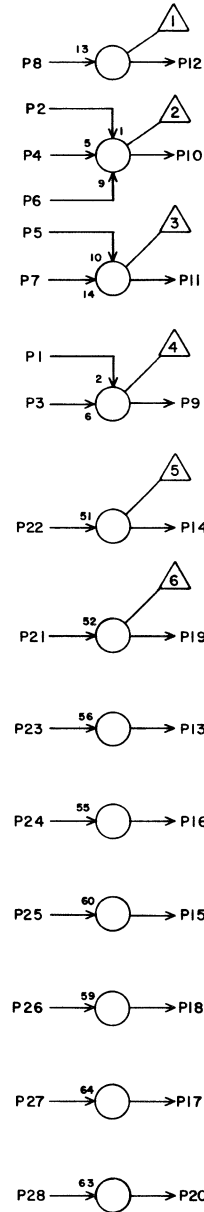
63017100 Rev. K

LS 63064400
ASSY

REV

TL

9G30



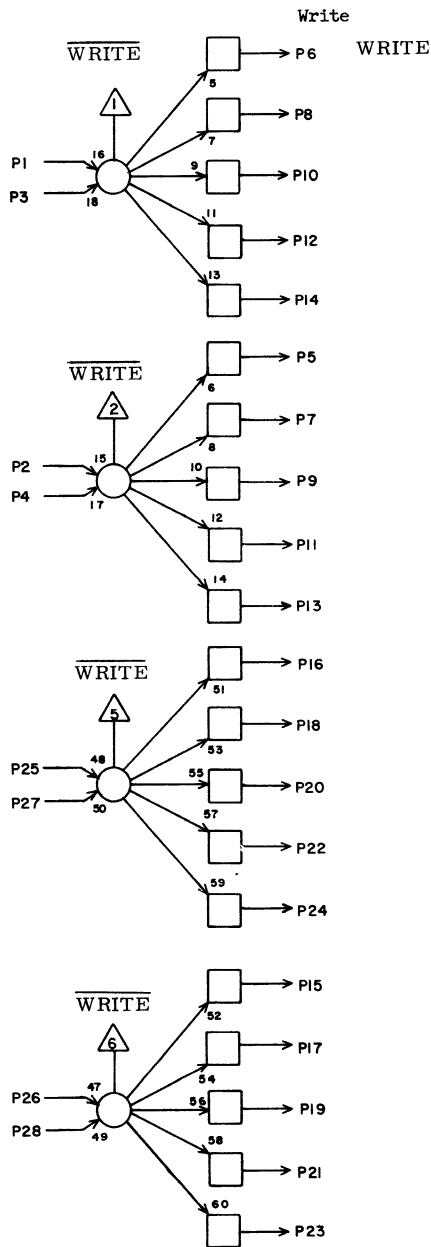
1	G30	X	2
2	G30	X	2
3	G30	16	5
4	G30	13	7
5	I24	8	72
6	G30	X	2
7	G30	19	7
8			
9	H28	14	7
10	H38	14	11
11	H28	3	84
12			
13	G30	4	7
14	H33	7	7
15			
16	G30	3	5
17	H33	1	7
18			
19	G30	7	7
20	H33	2	7
21	G32	7	5
22	G32	9	5
23	G33	18	7
24	G33	28	7
25			
26			
27	G33	17	11
28	G33	27	7

JACK PIN LG

CIRCUIT SPECIFICATION 11827600

C

63017100 Rev. T

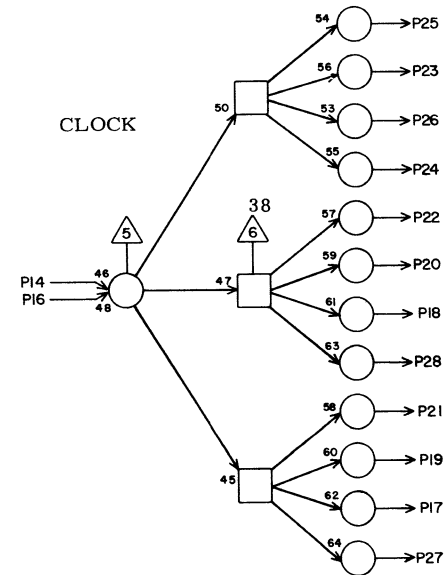
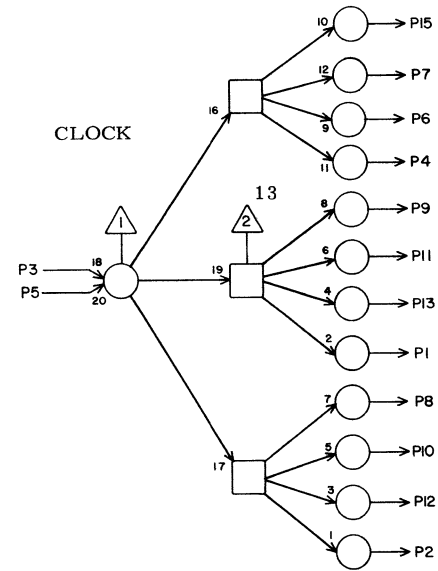


T D 9 G31

1	F19	15	13
2	F19	17	13
3	G31	X	2
4	G31	X	2
5	H21	16	15
6	H22	16	13
7	H24	16	11
8	H25	16	11
9	H26	16	11
10	H27	16	9
11	H29	16	7
12	H30	16	7
13	H19	16	15
14	H41	16	13
15	H20	16	15
16	H42	16	15
17	H31	16	7
18	H32	16	7
19	H34	16	7
20	H35	16	9
21	H36	16	9
22	H37	16	9
23	H39	16	11
24	H40	16	13
25	G31	X	2
26	G31	X	2
27	F19	19	13
28	F19	21	15

JACK PIN LG

63017100 Rev. D

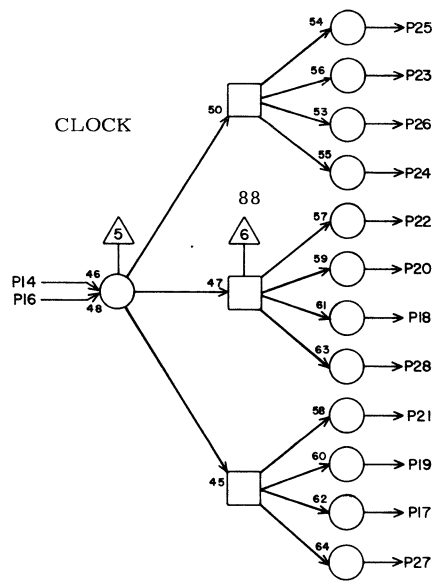
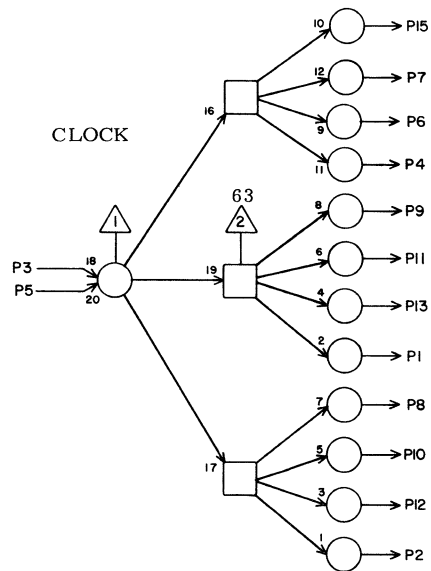


TC 9 G32

1			
2			
3	G32	X	2
4			
5	G35	2	37
6	H16	3	37
7	G30	21	5
8	G21	14	37
9	G30	22	5
10	H16	14	37
11	F13	26	108
12			
13			
14	G35	3	37
15			
16	G32	X	2
17	I30	3	72
18	C21	3	37
19	I37	3	72
20	F21	3	37
21			
22	C21	14	39
23	P21	3	37
24	F21	14	39
25	M21	14	39
26	G21	3	37
27	P21	14	39
28	M21	3	37

JACK PIN LG

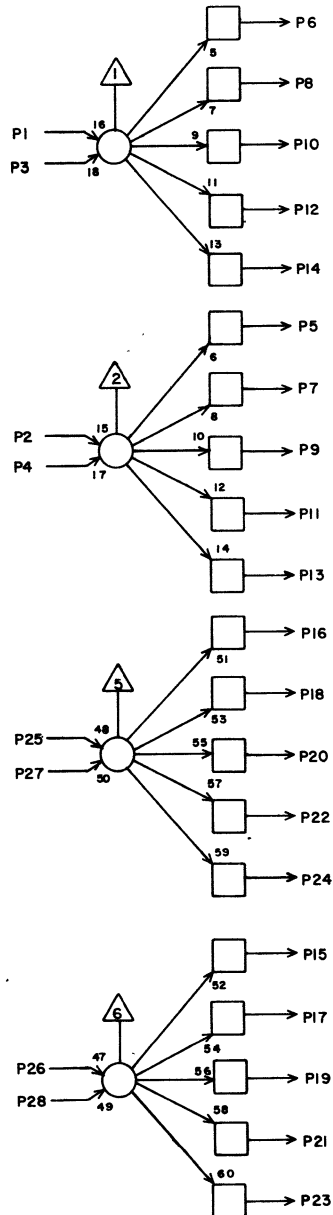
63017100 Rev. T



TC 9G33

1			
2	H17	3	37
3	G33	X	2
4	H17	14	37
5	G35	26	37
6			
7			
8			
9			
10			
11			
12	G25	14	37
13			
14		X	2
15	G36	14	37
16	G35	27	37
17	G30	27	11
18	G30	23	7
19			
20			
21			
22			
23			
24			
25	I31	15	37
26	I31	14	37
27	G30	28	7
28	G30	24	7
	JACK	PIN	LG

CLOCK Serials 1-31 Only



T D 9G34

1	G35	14	7'
2	G34	6	108
3	G34	X	2
4	G34	X	2
5	G34	27	108
6	G34	2	108
7			
8	G35	11	3
9	G35	18	3
10	G35	16	15'
11	G35	13	15'
12			
13			
14	G35	10	84
15			
16	G34	28	108
17	G35	20	3
18	G35	17	3
19	G35	19	15'
20	G35	15	15'
21			
22			
23			
24			
25	G34	X	2
26	G34	X	2
27	G34	5	108
28	G34	16	108

JACK PIN LG

63017100 Rev. N

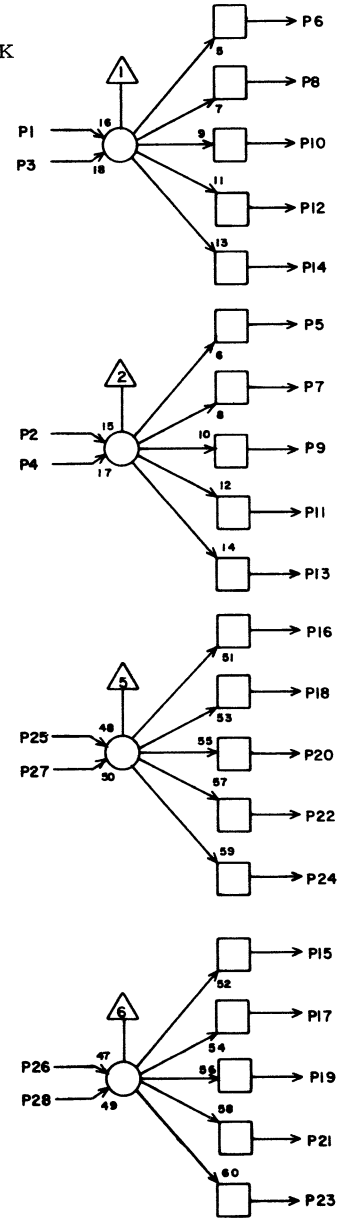
LS 63063600 C
ASSY REV

Serials 32 and up only

T D

9G34

CLOCK



1	G35	14	7'
2	G34	6	108
3	G34	X	2
4	G34	X	2
5	G34	27	108
6	G34	2	108
7			
8	G35	11	3
9	G35	18	3
10	G35	16	5
11	G35	16	5
12			
13			
14	G35	10	84
15			
16	G34	28	108
17	G35	20	3
18	G35	17	3
19	G35	15	5
20	G35	13	5
21			
22			
23			
24			
25	G34	X	2
26	G34	X	2
27	G34	5	108
28	G34	16	108

JACK PIN LG
CIRCUIT SPECIFICATION 11827600

63017100 Rev. N

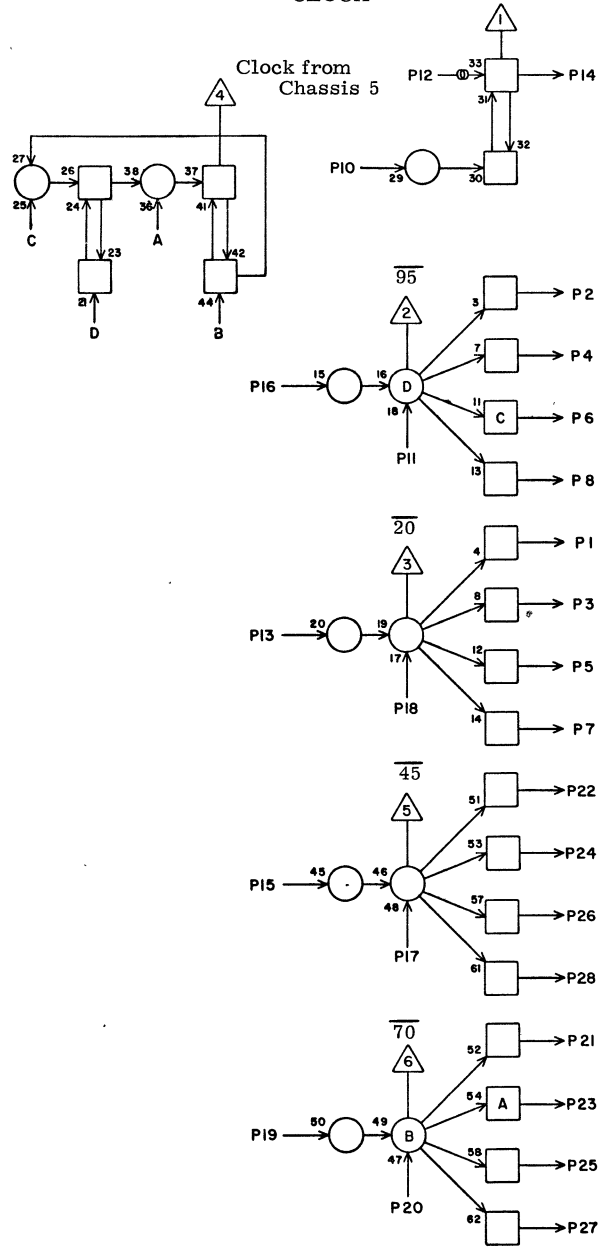
LS 63046200
ASSY

REV

Serials 1-31 Only
CLOCK

HQ

9G35



1			
2	G32	5	37
3	G32	14	37
4			
5			
6			
7			
8			
9			
10	G34	14	84
11	G34	8	3
12	W20	900	
13	G34	11	15'
14	G34	1	7'
15	G34	20	15'
16	G34	10	15'
17	G34	18	3
18	G34	9	3
19	G34	19	15'
20	G34	17	3
21			
22			
23			
24			
25			
26	G33	5	37
27	G33	16	37
28			

CIRCUIT SPECIFICATION 11827600
63017100 Rev. N

JACK PIN LG

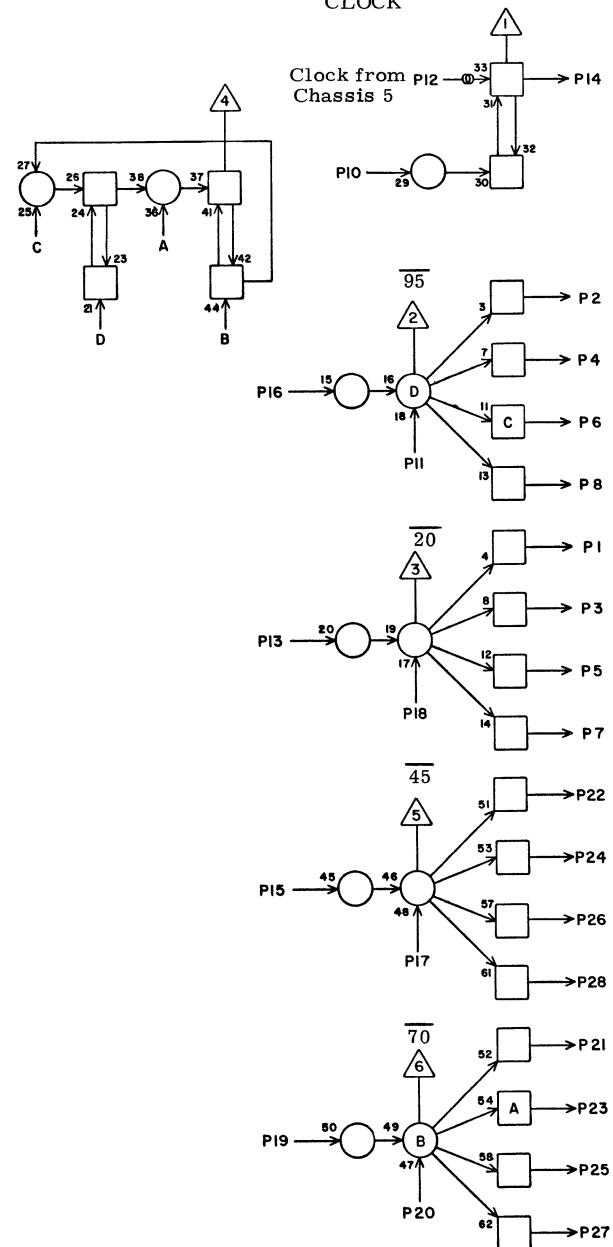
LS 63046200
ASSY

REV

Serials 32 and Up Only
CLOCK

HQ

9G35

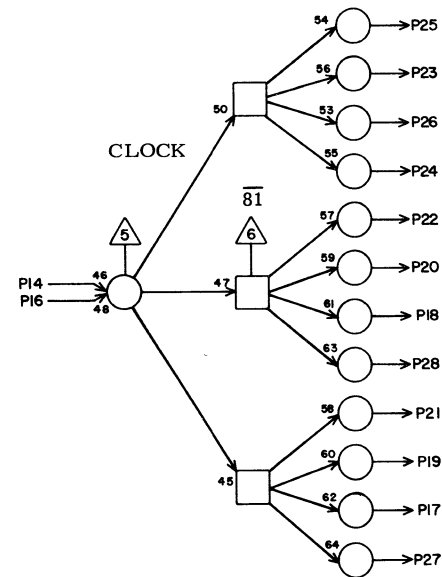
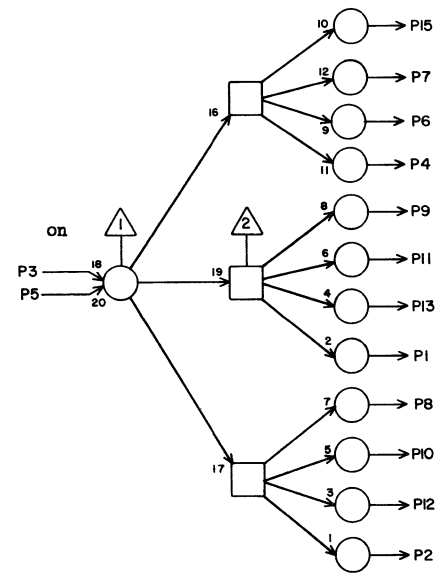


1			
2	G32	5	37
3	G32	14	37
4			
5			
6			
7			
8			
9			
10	G34	14	84
11	G34	8	3
12	W20	900	
13	G34	20	5
14	G34	1	7'
15	G34	19	5
16	G34	11	5
17	G34	18	3
18	G34	9	3
19	G34	10	5
20	G34	17	3
21			
22			
23			
24			
25			
26	G33	5	37
27	G33	16	37
28			

CIRCUIT SPECIFICATION 11827600

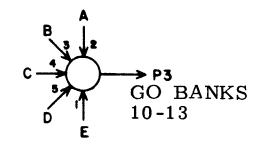
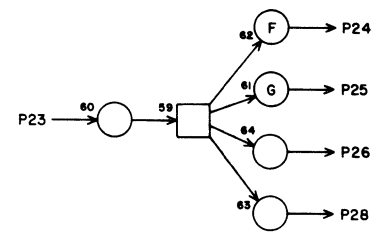
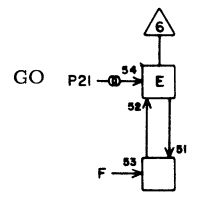
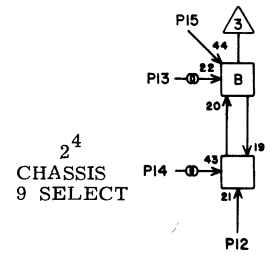
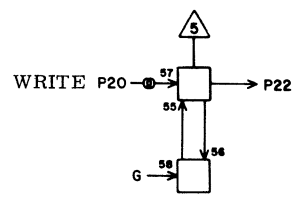
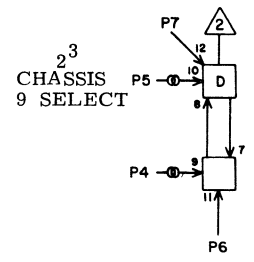
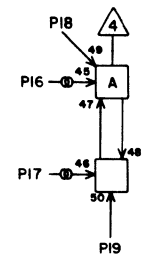
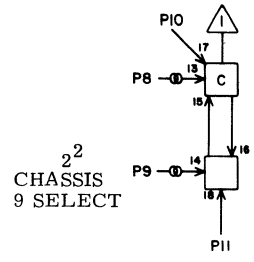
63017100 Rev. N

JACK PIN LG



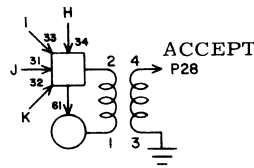
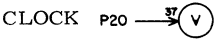
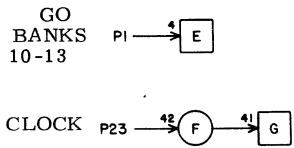
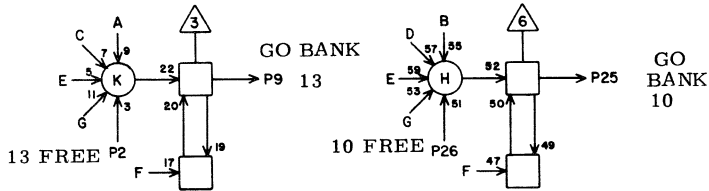
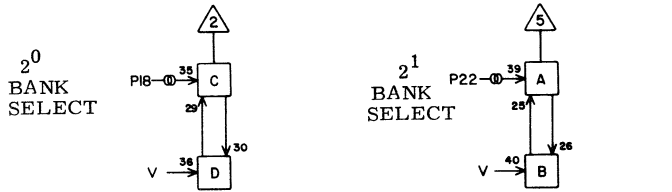
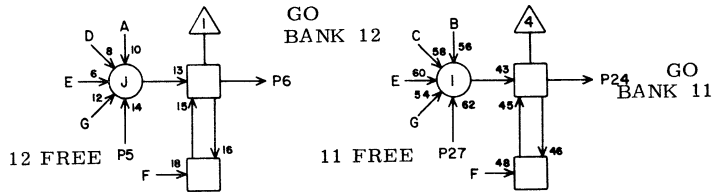
TC 9 G36

	JACK	PIN	LG
1	G40	19	7
2	G40	12	7
3	G36	X	2
4	G40	16	7
5	G36	X	2
6	G40	13	7
7	G41	19	7
8	G41	12	7
9	G41	16	7
10	G41	13	7
11	G42	19	9
12	G42	12	9
13	G42	16	9
14	G33	15	37
15	G42	13	9
16	G36	X	2
17	G38	23	144
18			
19	G40	15	7
20	G41	15	7
21	G42	15	9
22	G17	15	23
23	G18	15	21
24	G19	15	21
25			
26			
27			
28			



1			
2			
3	G39	1	3
4			
5	W20	904	
6	G38	26	3
7	G38	X	2
8			
9	W20	903	
10	G38	25	3
11	G38	X	2
12	G38	x	2
13			
14	W20	905	
15	G38	28	3
16			
17			
18	G38	24	5
19	G38	X	2
20	W14	98	
21	W14	97	
22	F19	28	21
23	G36	17	144
24	G38	18	5
25	G38	10	3
26	G38	6	3
27			
28	G38	15	3

JACK PIN LG

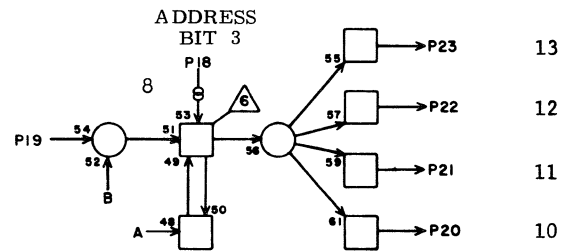
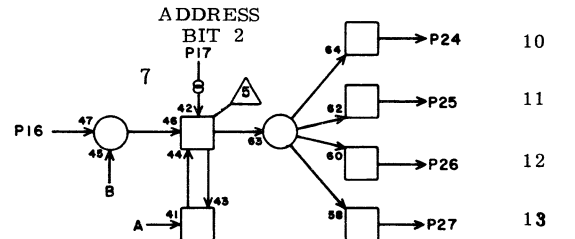
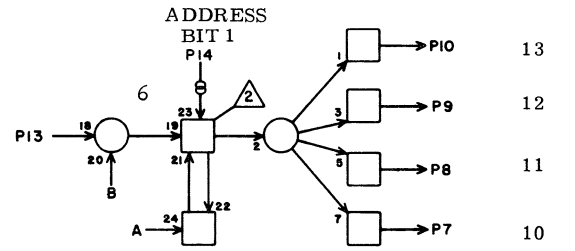
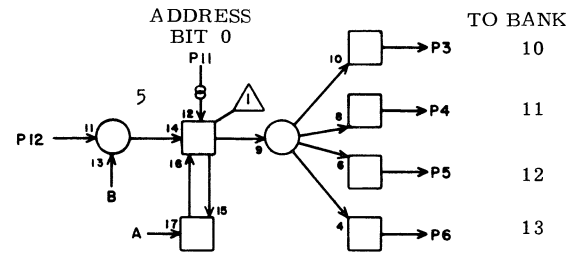


SC 9 G39

1	G38	3	3
2	G26	23	15
3			
4			
5	G26	24	15
6	M14	10	39
7			
8			
9	P14	10	39
10			
11			
12			
13			
14			
15			
16			
17			
18	W20	901	
19			
20	I31	3	17
21			
22	W20	902	
23	F21	15	108
24	F14	10	39
25	C14	10	39
26	G26	6	15
27	G26	13	15
28	W07	99	
JACK		PIN	LG

63017100 Rev v

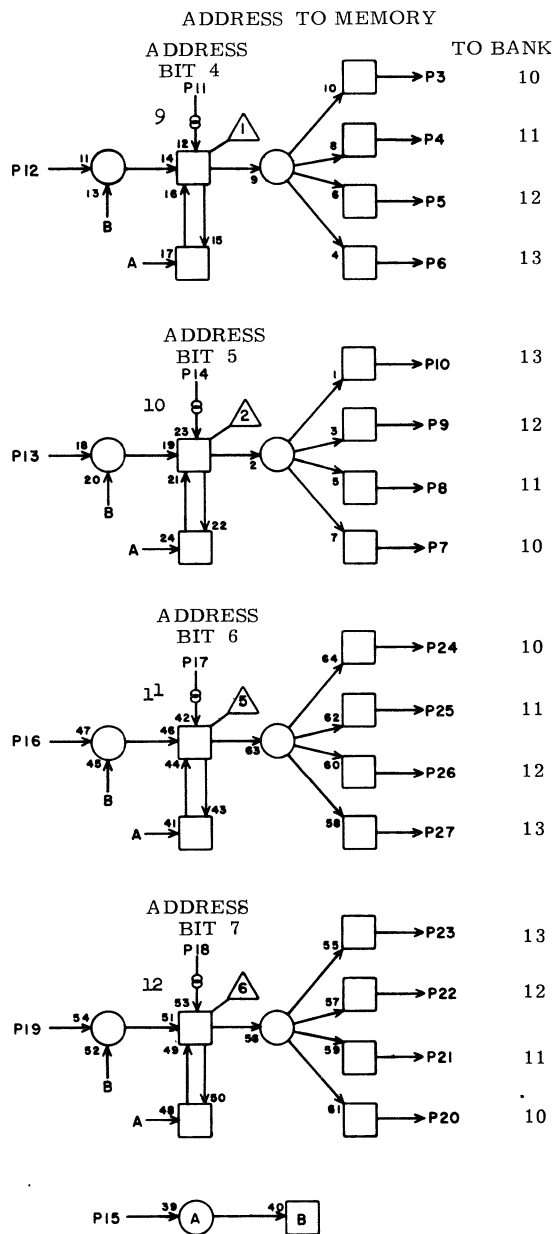
ADDRESS TO MEMORY



SB 9 G40

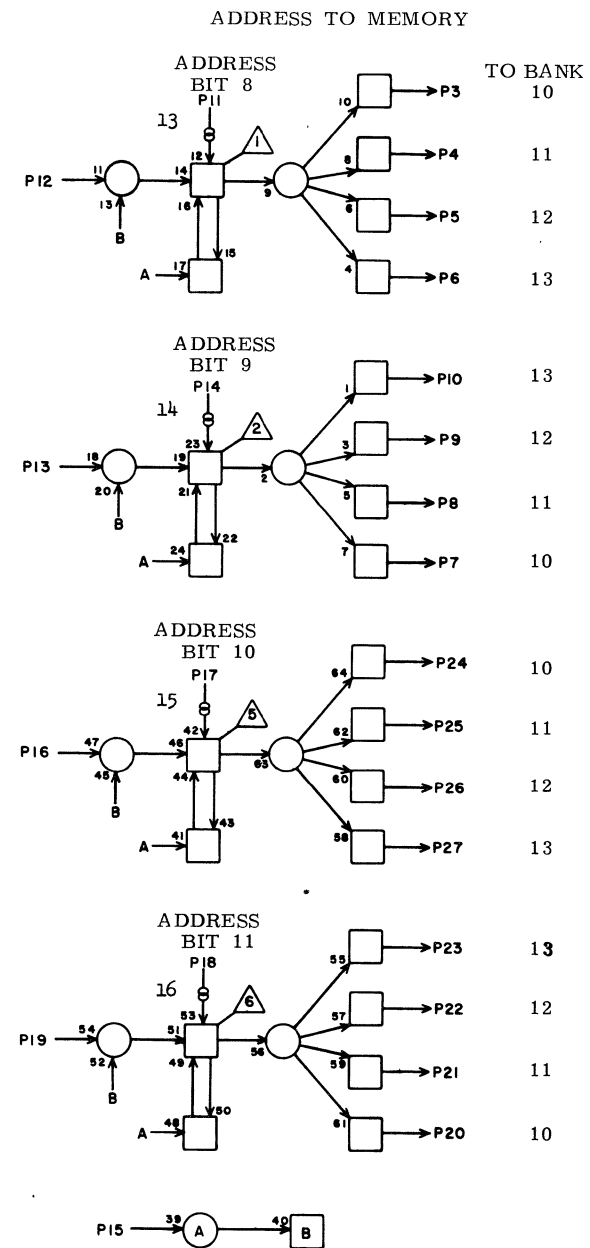
1			
2			
3	G22	18	25
4	F22	18	19
5	M22	18	31
6	L22	18	41
7	C22	17	25
8	F22	17	19
9	M22	17	31
10	P22	17	39
11	W20	906	
12	G36	2	7
13	G36	6	7
14	W20	907	
15	G36	19	7
16	G36	4	7
17	W20	908	
18	W20	90	
19	G36	1	7
20	C23	17	25
21	F23	17	19
22	M23	17	29
23	P23	17	39
24	C23	18	25
25	F23	18	19
26	M23	18	29
27	P23	18	39
28			
JACK		PIN	LG

63017100 Rev. D



SB		9G41	
1			
2			
3	C22	15	25
4	F22	15	19
5	M22	15	31
6	P22	15	41
7	C23	15	25
8	F23	15	19
9	M23	15	31
10	P23	15	39
11	W20	91	
12	G36	8	7
13	G36	10	7
14	W20	92	
15	G36	20	7
16	G36	9	7
17	W20	93	
18	W20	94	
19	G36	7	7
20	C24	17	25
21	F24	17	19
22	M24	17	29
23	P24	17	39
24	C24	18	25
25	F24	18	19
26	M24	18	29
27	P24	18	39
28			
JACK	PIN	LG	

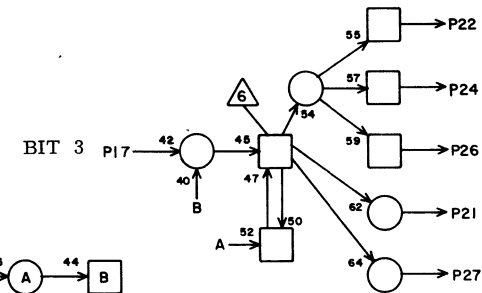
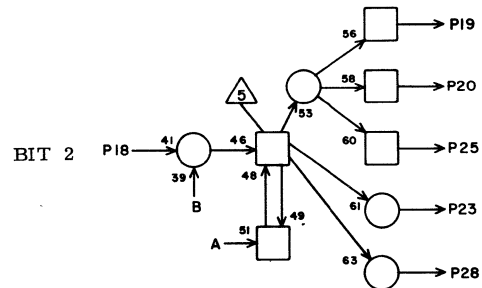
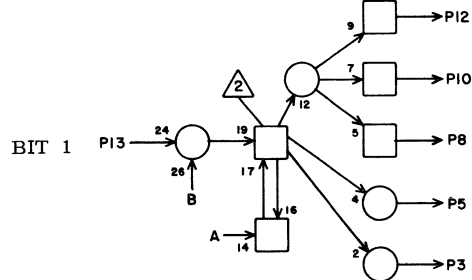
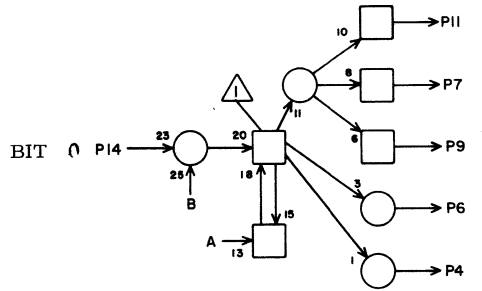
63017100 Rev. D



SB		9 G42	
1			
2			
3	C25	18	25
4	F25	18	19
5	M25	18	31
6	P25	18	39
7	C25	17	25
8	F25	17	19
9	M25	17	31
10	P25	17	39
11	W20	95	
12	G36	12	9
13	G36	15	9
14	W20	96	
15	G36	21	9
16	G36	13	9
17	W20	97	
18	W20	98	
19	G36	11	9
20	C25	15	25
21	F25	15	19
22	M25	15	29
23	P25	15	39
24	C24	15	25
25	F24	15	19
26	M24	15	29
27	P24	15	39
28			
JACK	PIN	LG	

63017100 Rev. D

RESTORE



PD

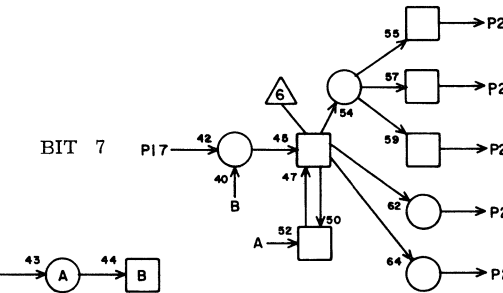
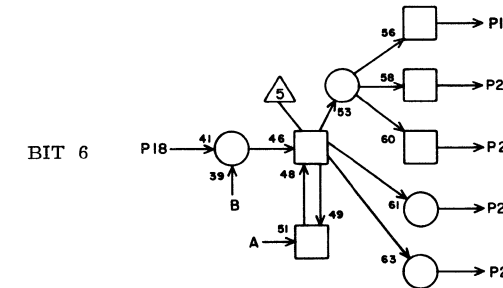
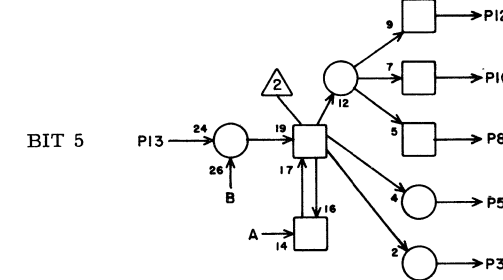
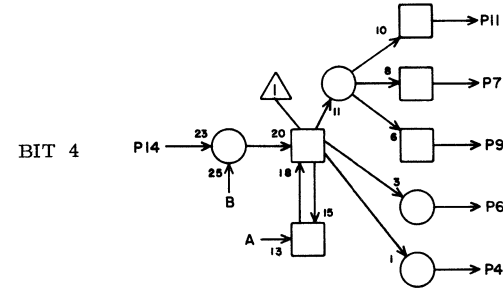
9H 1

1			
2			
3			
4	G 1	12	7
5	G 1	13	7
6			
7			
8			
9			
10			
11			
12			
13	H19	21	19
14	H19	6	19
15			
16	H16	1	17
17	H20	6	19
18	H19	22	19
19			
20			
21			
22			
23			
24			
25			
26			
27	G 1	19	7
28	G 1	16	7

JACK PIN LG

63017100 Rev. D

RESTORE



PD

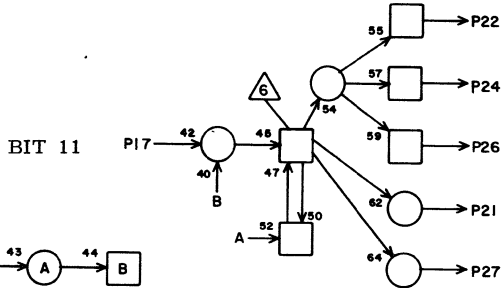
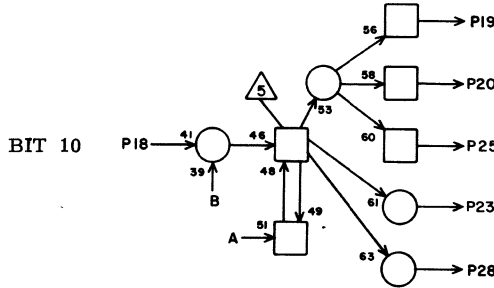
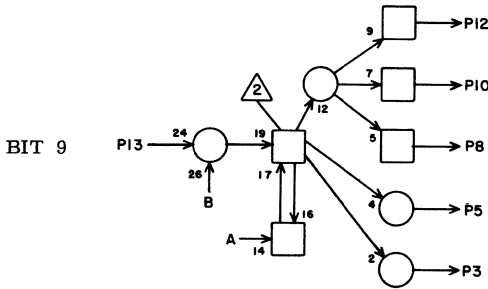
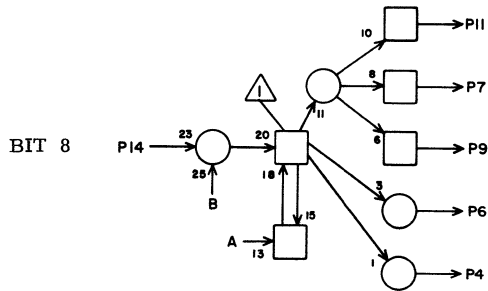
9H 2

1			
2			
3			
4	G 2	12	9
5	G 2	13	9
6			
7			
8			
9			
10			
11			
12			
13	H20	22	19
14	H20	21	19
15			
16	H16	2	15
17	H21	21	19
18	H21	6	19
19			
20			
21			
22			
23			
24			
25			
26			
27	G 2	19	7
28	G 2	16	7

JACK PIN LG

63017100 Rev. D

RESTORE



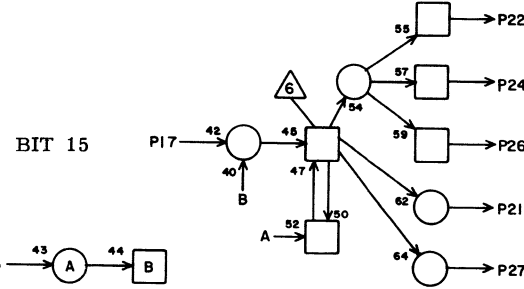
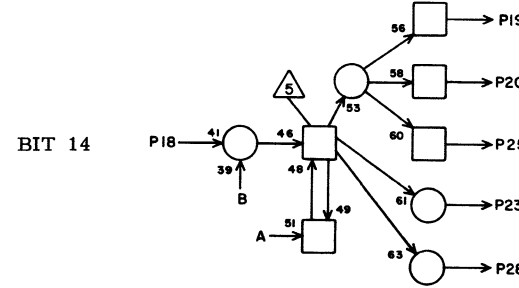
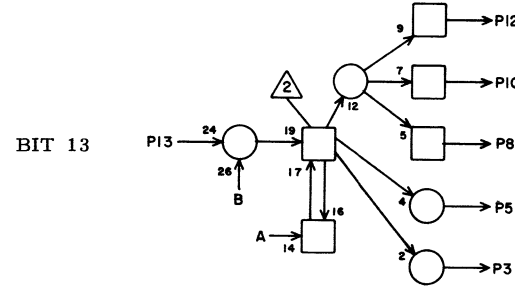
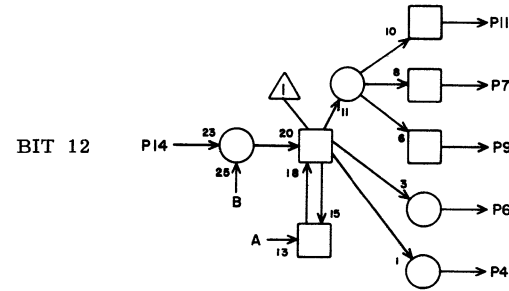
PD 9H 3

1			
2			
3			
4	G 3	12	7
5	G 3	13	7
6			
7			
8			
9			
10			
11			
12			
13	H22	6	21
14	H21	22	19
15			
16	H16	17	17
17	H22	22	21
18	H22	21	21
19			
20			
21			
22			
23			
24			
25			
26			
27	G 3	19	7
28	G 3	16	9

JACK PIN LG

63017100 Rev. D

RESTORE



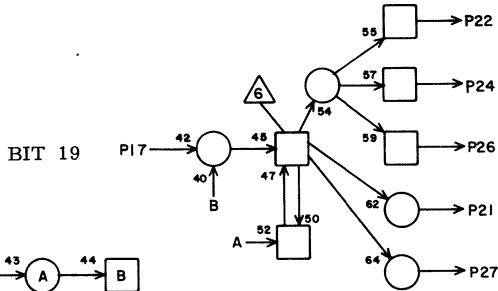
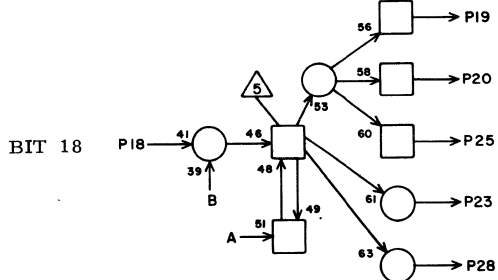
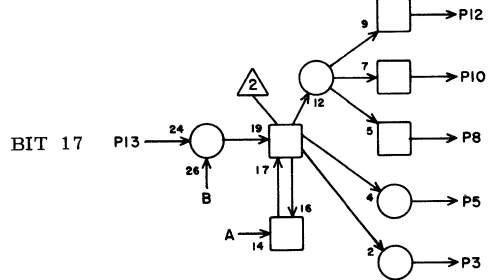
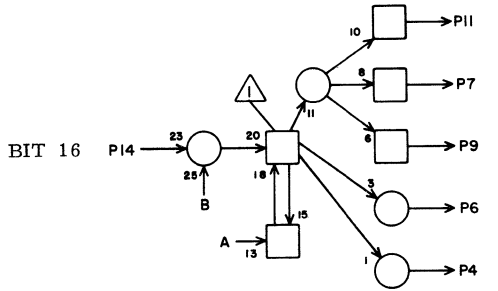
PD 9H 4

1			
2			
3			
4	G 5	12	7
5	G 5	13	7
6			
7			
8			
9			
10			
11			
12			
13	H24	21	21
14	H24	6	21
15			
16	H16	4	15
17	H25	6	21
18	H24	22	21
19			
20			
21			
22			
23			
24			
25			
26			
27	G 5	19	7
28	G 5	16	7

JACK PIN LG

63017100 Rev. D

RESTORE



PD

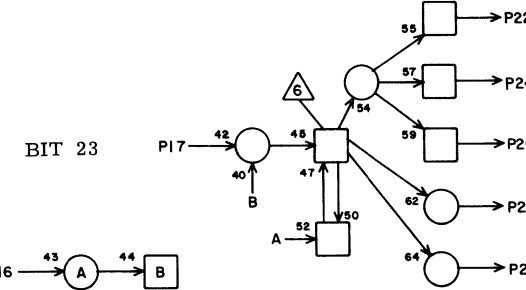
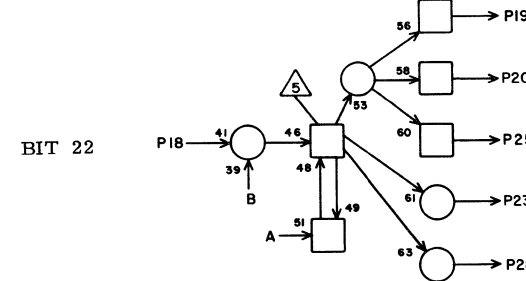
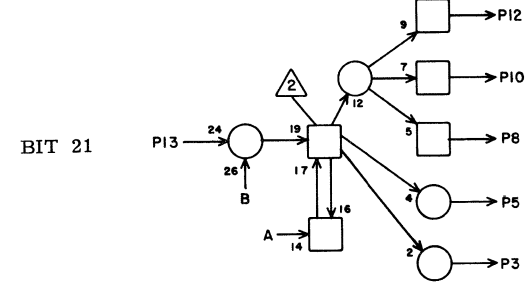
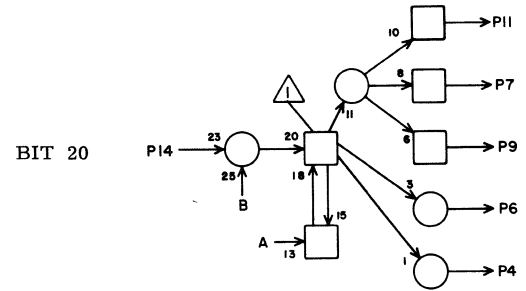
9 H 5

1			
2			
3			
4	G 6	12	7
5	G 6	13	7
6			
7			
8			
9			
10			
11			
12			
13	H25	22	21
14	H25	21	21
15			
16	H16	6	13
17	H26	21	23
18	H26	8	23
19			
20			
21			
22			
23			
24			
25			
26			
27	G 6	19	7
28	C 6	16	7

JACK PIN LG

63017100 Rev. D

RESTORE



PD

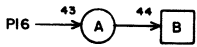
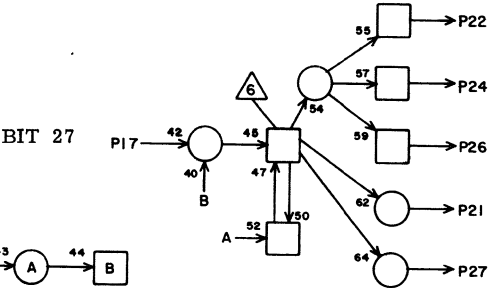
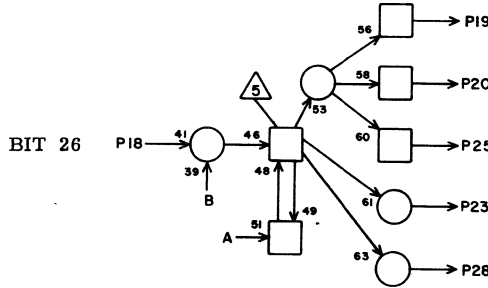
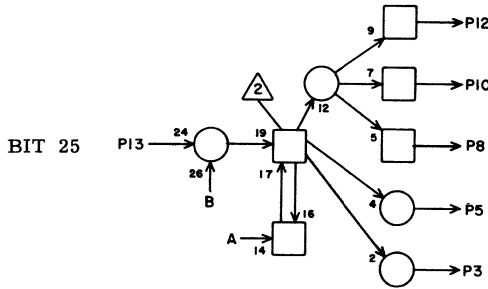
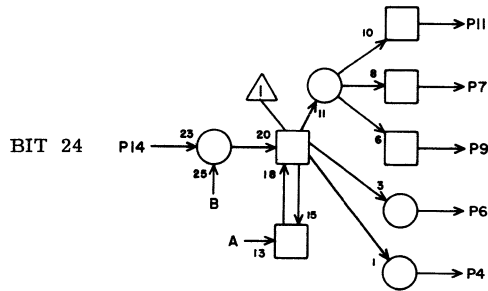
0H 6

1			
2			
3			
4	G 7	12	7
5	G 7	13	7
6			
7			
8			
9			
10			
11			
12			
13	H27	6	23
14	H26	22	23
15			
16	H16	20	13
17	H27	22	23
18	H27	21	23
19			
20			
21			
22			
23			
24			
25			
26			
27	G 7	19	7
28	G 7	16	7

JACK PIN LG

63017100 Rev. D

RESTORE



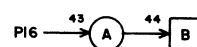
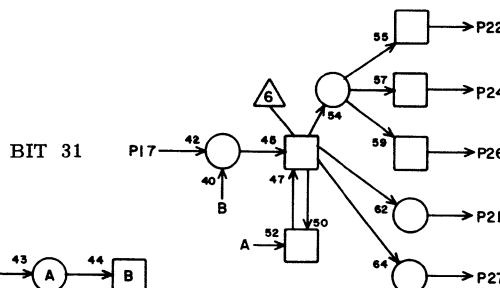
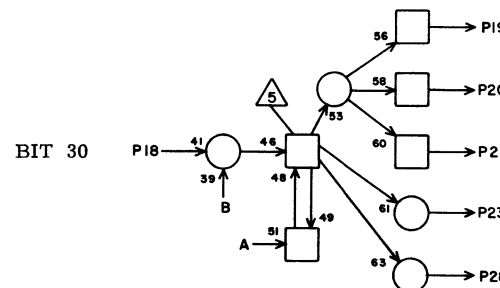
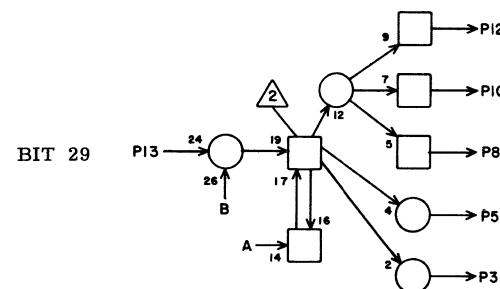
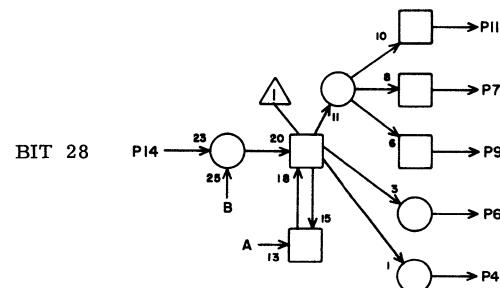
PD 9 H 7

1			
2			
3			
4	G 9	12	7
5	G 9	13	7
6			
7			
8			
9			
10			
11			
12			
13	H29	21	23
14	H29	6	23
15			
16	H16	7	13
17	H30	6	23
18	H29	22	23
19			
20			
21			
22			
23			
24			
25			
26			
27	G 9	19	7
28	G 9	16	7

JACK PIN LG

63017100 Rev. D

RESTORE



PD H 8

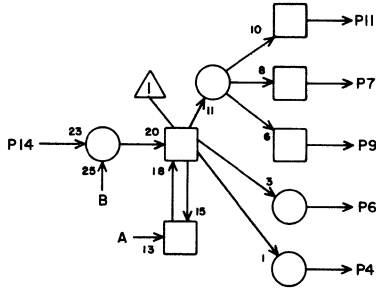
1			
2			
3			
4	G10	12	9
5	G10	13	9
6			
7			
8			
9			
10			
11			
12			
13	H30	22	23
14	H30	21	23
15			
16	H16	8	11
17	H31	21	23
18	H31	6	23
19			
20			
21			
22			
23			
24			
25			
26			
27	G10	19	9
28	G10	16	9

JACK PIN LG

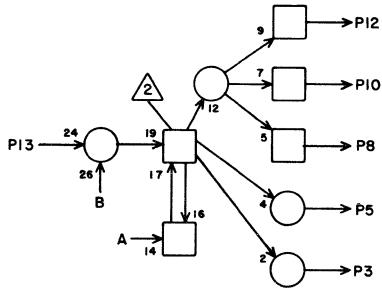
63017100 Rev. D

RESTORE

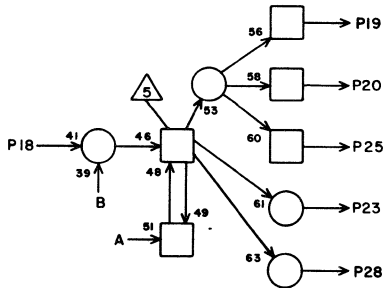
BIT 32



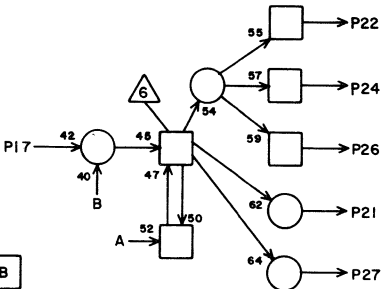
BIT 33



BIT 34



BIT 35



PD 9H 9

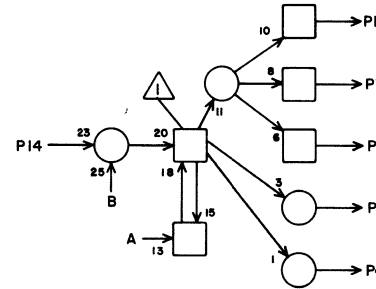
1			
2			
3			
4	G11	12	9
5	G11	13	9
6			
7			
8			
9			
10			
11			
12			
13	H32	6	25
14	H31	22	23
15			
16	H16	21	11
17	H32	22	25
18	H32	21	25
19			
20			
21			
22			
23			
24			
25			
26			
27	G11	19	9
28	G11	16	9

JACK PIN LG

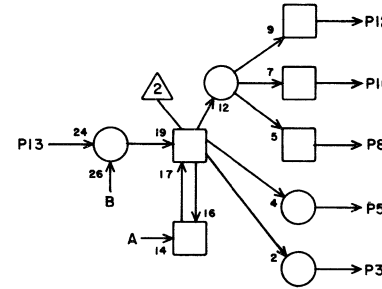
63017100 Rev.D

RESTORE

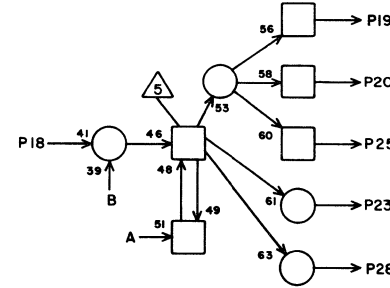
BIT 36



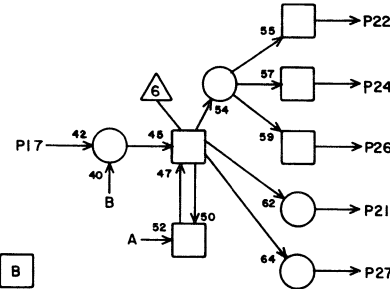
BIT 37



BIT 38



BIT 39



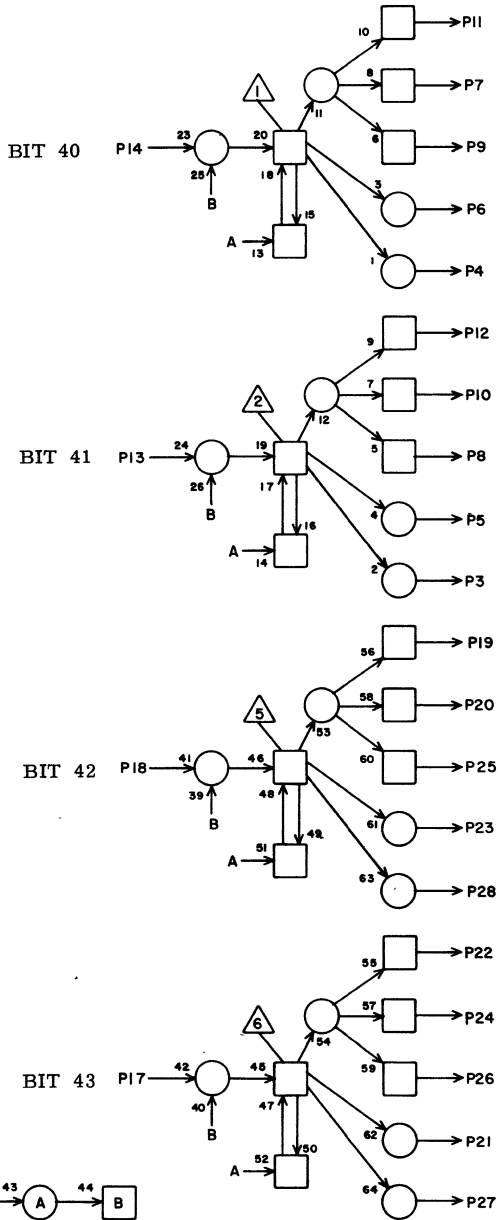
PD 9H 10

1			
2			
3			
4	G13	12	7
5	G13	13	7
6			
7			
8			
9			
10			
11			
12			
13	H34	21	25
14	H34	6	25
15			
16	H16	9	9
17	H35	6	25
18	H34	22	25
19			
20			
21			
22			
23			
24			
25			
26			
27	G13	19	9
28	G13	16	9

JACK PIN LG

63017100 Rev. D

RESTORE



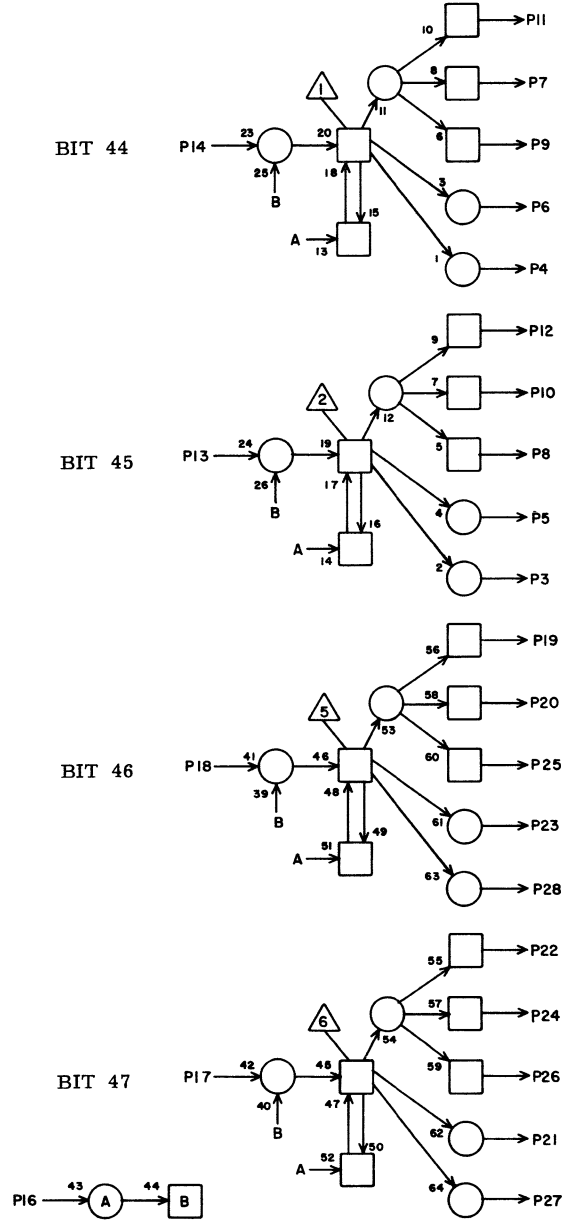
PD 9H11

1			
2			
3			
4	G14	12	9
5	G14	13	9
6			
7			
8			
9			
10			
11			
12			
13	H35	22	25
14	H35	21	25
15			
16	H16	10	7
17	H36	21	25
18	H36	6	25
19			
20			
21			
22			
23			
24			
25			
26			
27	G14	19	9
28	G14	16	9

JACK PIN LG

63017100 Rev. D

RESTORE



PD 9H12

1			
2			
3			
4	G15	12	9
5	G15	13	9
6			
7			
8			
9			
10			
11			
12			
13	H37	6	25
14	H36	22	25
15			
16	H16	24	7
17	H37	22	25
18	H37	21	25
19			
20			
21			
22			
23			
24			
25			
26			
27	G15	19	9
28	G15	16	9

JACK PIN LG

63017100 Rev. D

RESTORE

PD

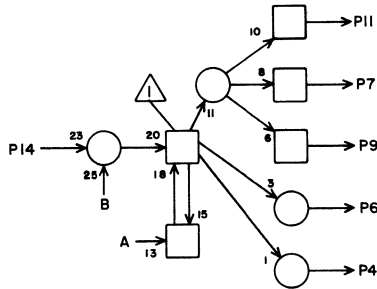
9H 13

1			
2			
3			
4	G17	12	9
5	G17	13	9
6			
7			
8			
9			
10			
11			
12			
13	H39	21	27
14	H39	6	27
15			
16	H16	11	7
17	H40	6	27
18	H39	22	27
19			
20			
21			
22			
23			
24			
25			
26			
27	G17	19	9
28	G17	16	9

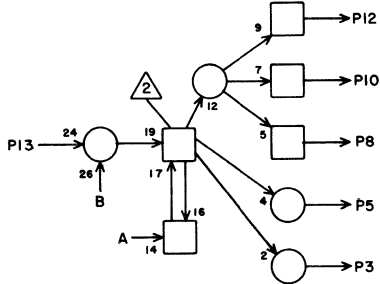
JACK PIN LG

63017100 Rev. D

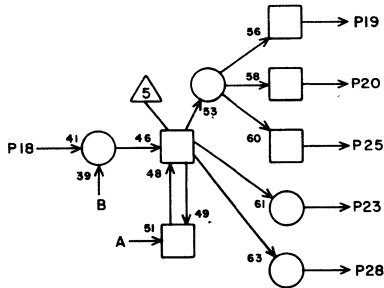
BIT 48



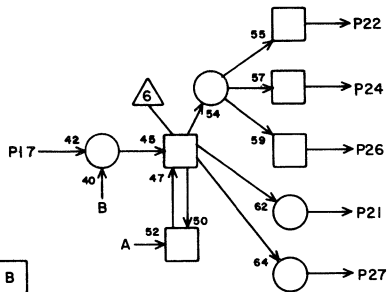
BIT 49



BIT 50



BIT 51



RESTORE

PD

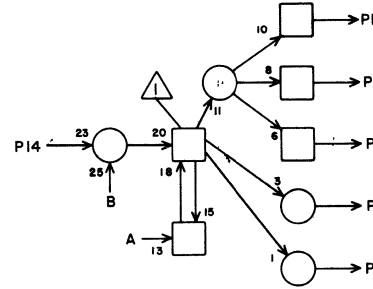
9H 14

1			
2			
3			
4	G18	12	11
5	G18	13	11
6			
7			
8			
9			
10			
11			
12			
13	H40	22	27
14	H40	21	27
15			
16	H16	12	7
17	H41	21	27
18	H41	6	27
19			
20			
21			
22			
23			
24			
25			
26			
27	G18	19	9
28	G18	16	9

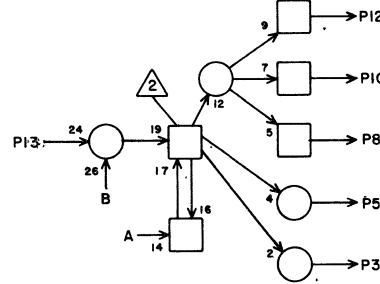
JACK PIN LG

63017100 Rev.D

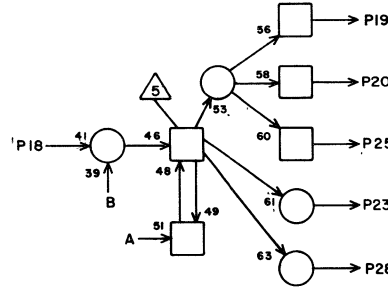
BIT 52



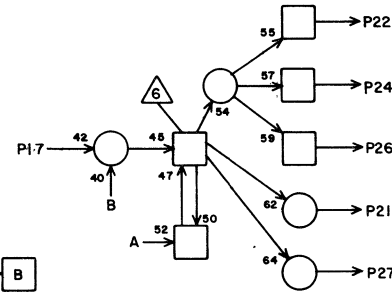
BIT 53



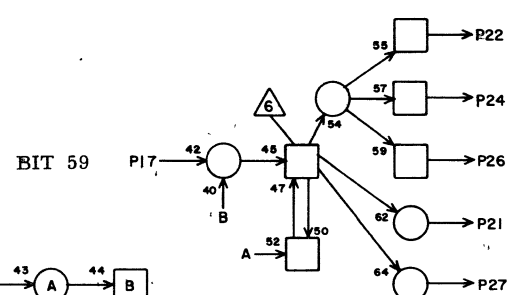
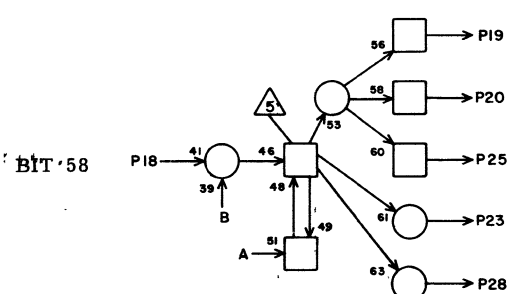
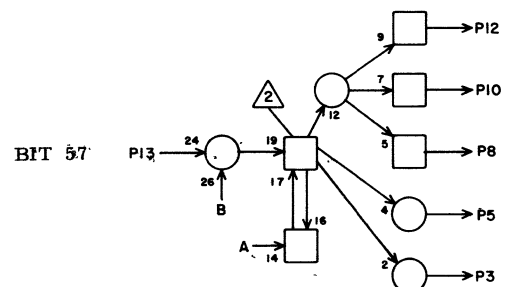
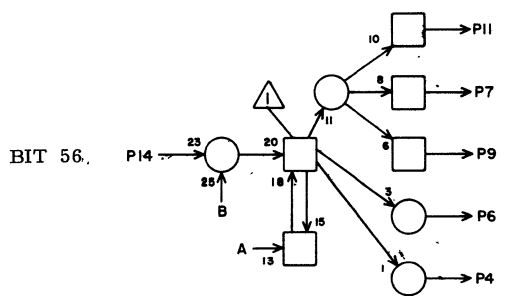
BIT 54



BIT 55



RESTORE

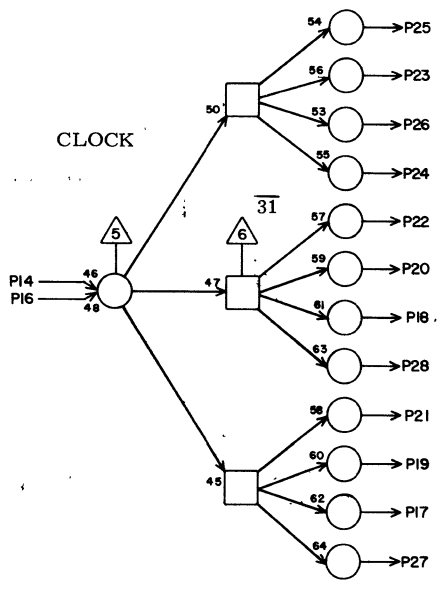
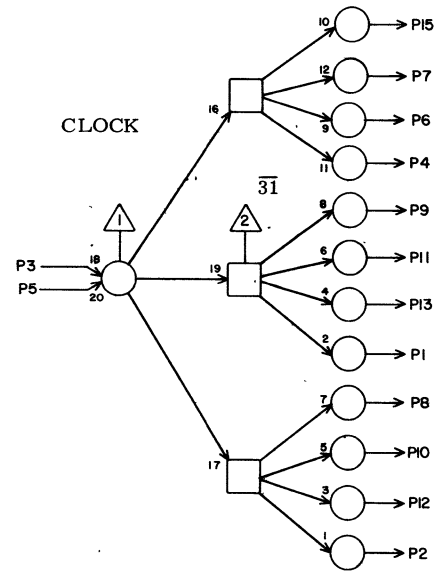


PD 9 H 15

1			
2			
3			
4	G19	12	9
5	G19	13	9
6			
7			
8			
9			
10			
11			
12			
13	H42	6	27
14	H41	22	27
15			
16	H16	26	5
17	H42	22	27
18	H42	21	27
19			
20			
21			
22			
23			
24			
25			
26			
27	G19	19	9
28	G19	16	9

JACK PIN LG

63017100 Rev. D

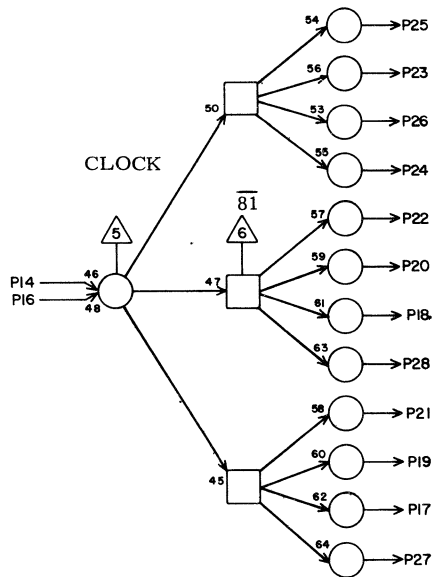
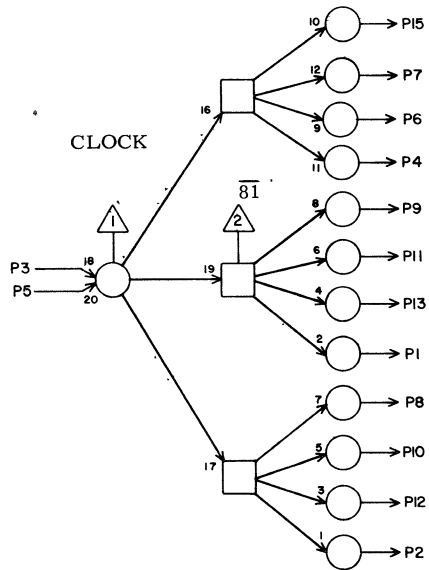


TC 9 H16

1	H 1	16	17
2	H 2	16	15
3	G32	6	37
4	H 4	16	15
5	H16	X	2
6	H 5	16	13
7	H 7	16	11
8	H 8	16	11
9	H10	16	9
10	H11	16	7
11	H13	16	7
12	H14	16	7
13			
14	G32	10	37
15			
16	H16	X	2
17	H 3	16	17
18			
19			
20	H 6	16	13
21	H 9	16	11
22			
23			
24	H12	16	7
25			
26	H15	16	5
27			
28			

JACK PIN LG

63017100 Rev. N

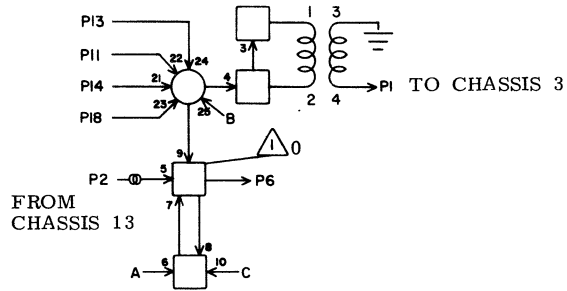


TC 9 H17

1	G 1	15	17
2	G 2	15	17
3	G33	2	37
4	G 3	15	15
5	H17	X	2
6	G 5	15	15
7	G 6	15	13
8	G 7	15	13
9	G 9	15	11
10	G10	15	11
11	G11	15	11
12	G13	15	9
13	G14	15	9
14	G33	4	37
15	G15	15	9
16	H17	X	2
17			
18			
19			
20			
21	H39	15	23
22	H40	15	23
23	H41	15	23
24	H42	15	23
25	H19	15	5
26	H20	15	7
27	H21	15	7
28	H22	15	9

JACK PIN LG

READ-DISTRIBUTE-RESTORE
BIT 0 - BIT 2

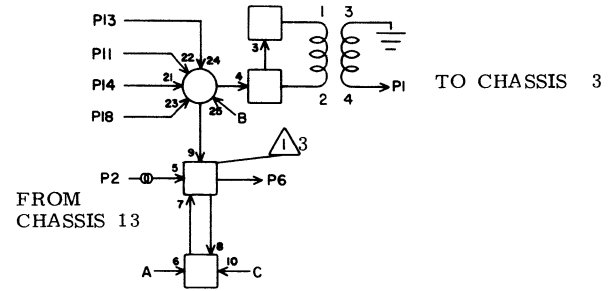


SE 9 H19

1	W07	900	
2	W03	900	
3			
4			
5			
6	H 1	14	19
7	C 1	11	27
8	W07	901	
9	F 1	11	21
10	P 1	11	37
11	C 1	5	29
12	M 1	11	27
13	F 1	5	21
14	M 1	5	27
15	H17	25	5
16	G31	13	15
17	G24	1	11
18	P 1	5	35
19	W03	901	
20			
21	H 1	13	19
22	H 1	18	19
23	C 1	19	27
24	W03	902	
25	F 1	19	21
26	M 1	19	27
27	P 1	19	35
28	W07	902	

JACK PIN LG

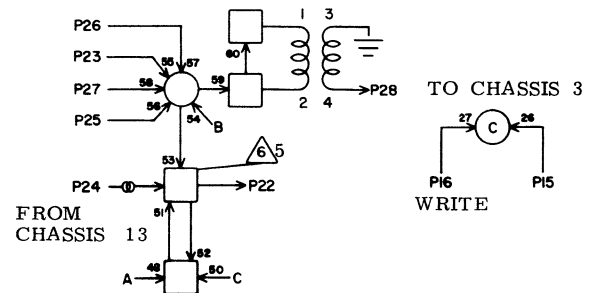
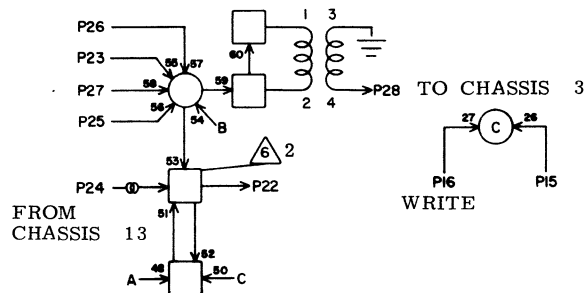
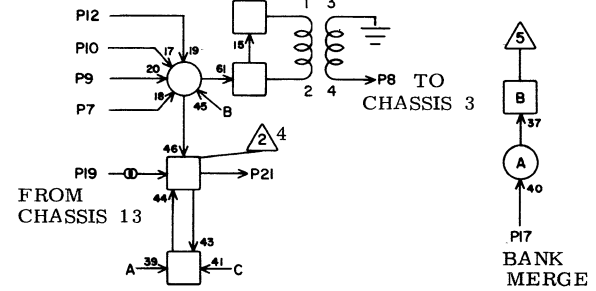
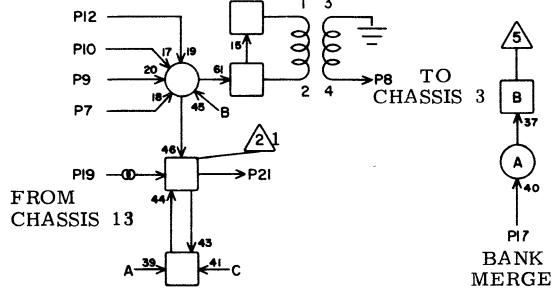
READ-DISTRIBUTE-RESTORE
BIT 3-BIT 5

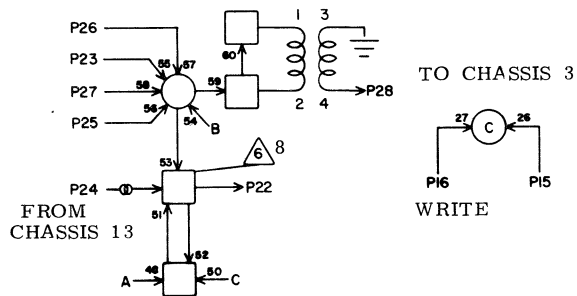
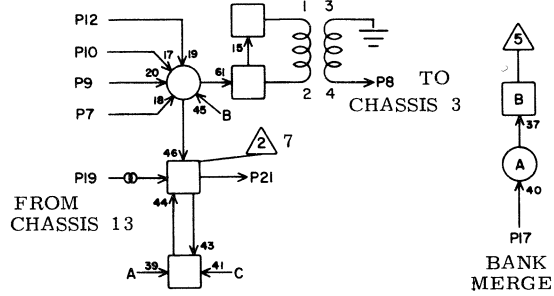
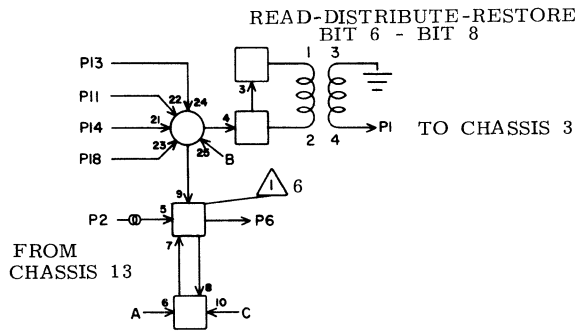


SE 9 H20

1	W07	903	
2	W03	903	
3			
4			
5			
6	H 1	17	19
7	C 2	5	27
8	W07	904	
9	F 2	5	21
10	P 2	5	35
11	C 1	25	27
12	M 2	5	27
13	F 1	25	21
14	M 1	25	29
15	H17	26	7
16	G31	15	15
17	G24	2	9
18	P 1	25	37
19	W03	904	
20			
21	H 2	14	19
22	H 2	13	19
23	C 2	11	29
24	W03	905	
25	F 2	11	21
26	M 2	11	27
27	P 2	11	35
28	W07	905	

JACK PIN LG

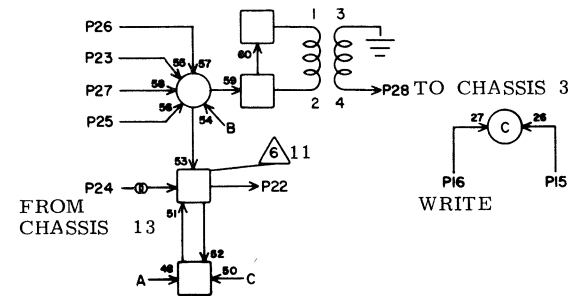
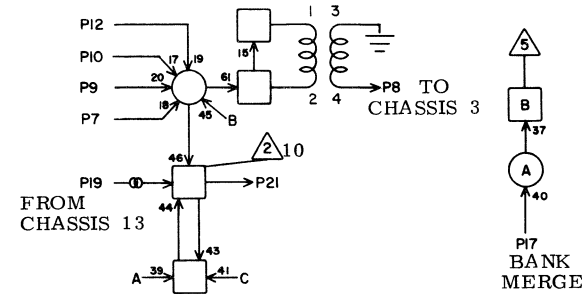
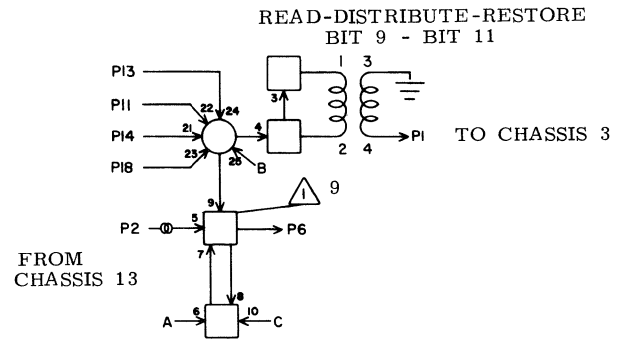




SE 9 H21

JACK	PIN	LG
1	W07	906
2	W 3	906
3		
4		
5		
6	H 2	18 19
7	C 2	25 27
8	W07	907
9	F 2	25 21
10	P 2	25 37
11	C 2	19 27
12	M 2	25 29
13	F 2	19 21
14	M 2	19 29
15	H17	27 7
16	G31	5 15
17	G24	4 9
18	P 2	19 37
19	W 3	907
20		
21	H 3	17 19
22	H 3	14 19
23	C 3	5 27
24	W 3	90
25	F 3	5 23
26	M 3	5 27
27	P 3	5 35
28	W07	90

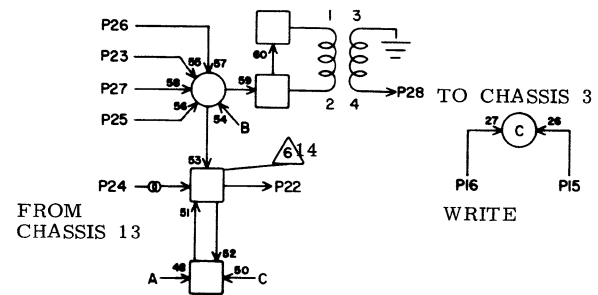
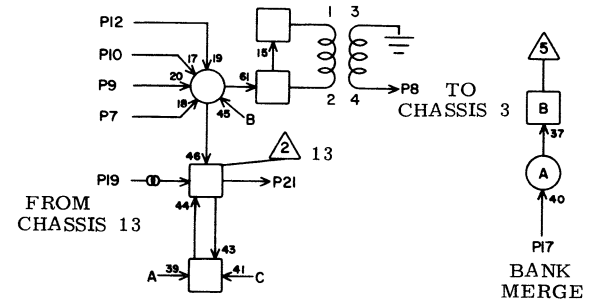
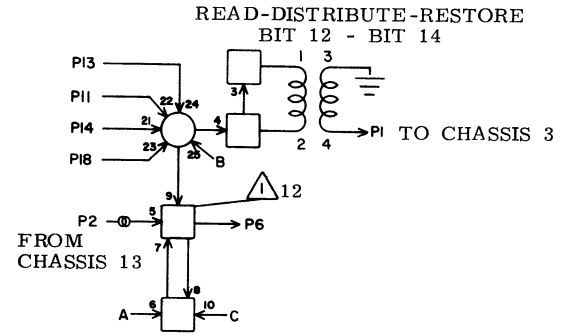
63017100 Rev. D



SE 9 H22

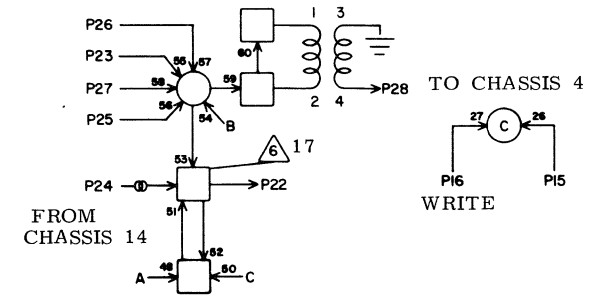
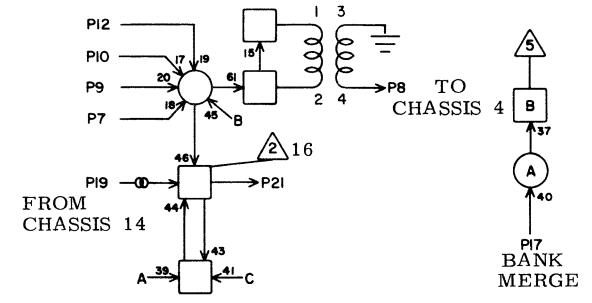
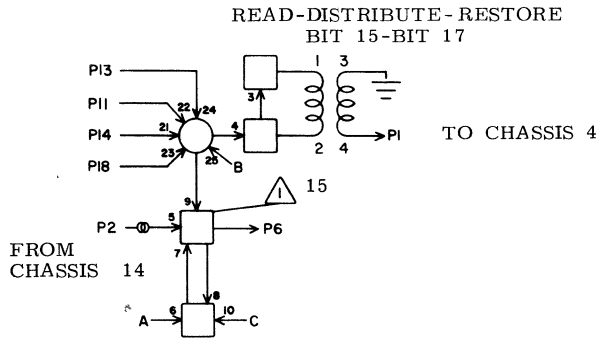
JACK	PIN	LG
1	W07	91
2	W 3	91
3		
4		
5		
6	H 3	13 21
7	C 3	19 27
8	W07	92
9	F 3	19 21
10	P 3	19 37
11	C 3	11 27
12	M 3	19 29
13	F 3	11 23
14	M 3	11 27
15	H17	28 9
16	G31	6 13
17	G24	6 9
18	P 3	11 37
19	W03	92
20		
21	H 3	18 21
22	H 3	17 21
23	C 3	25 27
24	W03	93
25	F 3	25 21
26	M 3	25 29
27	P 3	25 37
28	W07	93

63017100 RevD



SE 9 H24

1	W07	94	
2	W03	94	
3			
4			
5			
6	H 4	14	21
7	C 7	11	29
8	W07	95	
9	F 7	11	19
10	P 7	11	37
11	C 7	5	27
12	M 7	11	27
13	F 7	5	21
14	M 7	5	27
15	G25	17	7
16	G31	7	11
17	G24	7	9
18	P 7	5	35
19	W03	95	
20			
21	H 4	13	21
22	H 4	18	21
23	C 7	19	27
24	W03	96	
25	F 7	19	21
26	M 7	19	27
27	P 7	19	35
28	W07	96	
	JACK	PIN	LG

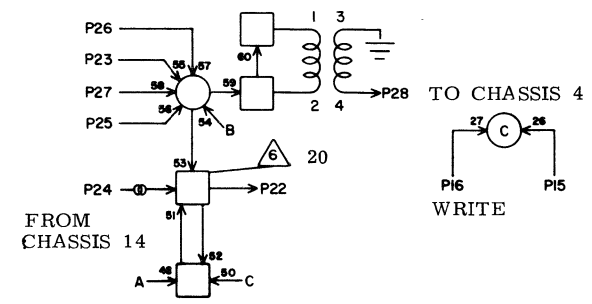
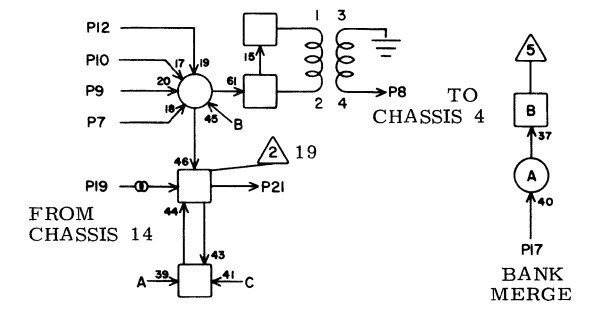
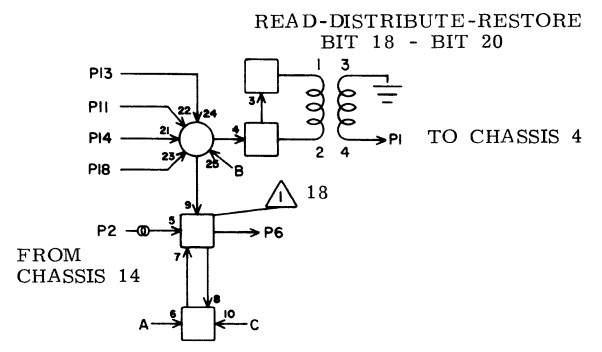


SE 9 H25

1	W08	900	
2	W 4	900	
3			
4			
5			
6	H 4	17	21
7	C 8	5	27
8	W08	901	
9	F 8	5	21
10	P 8	5	35
11	C 7	25	27
12	M 8	5	27
13	F 7	25	21
14	M 7	25	29
15	G25	18	7
16	G31	8	11
17	G24	8	9
18	P 7	25	37
19	W04	901	
20			
21	H 5	14	21
22	H 5	13	21
23	C 8	11	27
24	W04	902	
25	F 8	11	21
26	M 8	11	27
27	P 8	11	35
28	W08	902	

JACK PIN LG

63017100 Rev. D

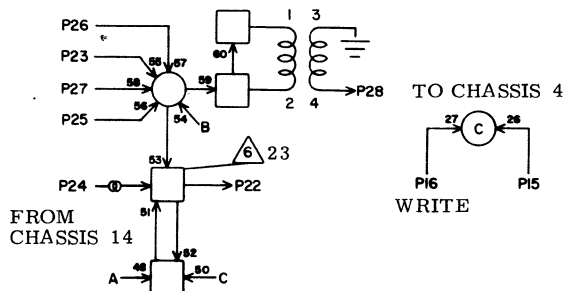
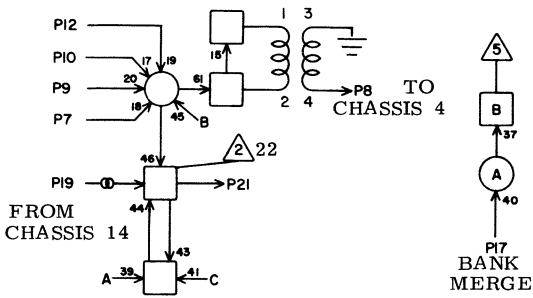
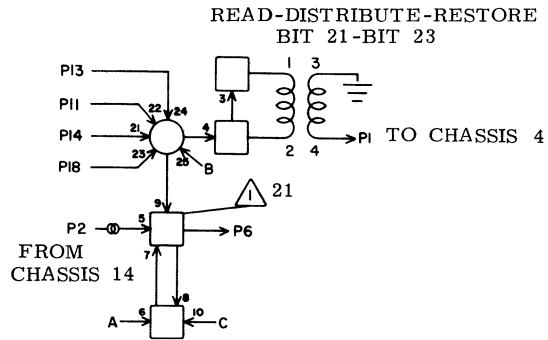


SE 9 H26

1	W08	903	
2	W04	903	
3			
4			
5			
6	H 5	18	23
7	C 8	25	27
8	W08	904	
9	F 8	25	21
10	P 8	25	37
11	C 8	19	27
12	M 8	25	29
13	F 8	19	21
14	M 8	19	27
15	G25	19	7
16	G31	9	11
17	G24	3	9
18	P 8	19	37
19	W04	904	
20			
21	H 5	17	23
22	H 6	14	23
23	C 9	5	29
24	W04	905	
25	F 9	5	21
26	M 9	5	25
27	P 9	5	35
28	W08	905	

JACK PIN LG

63017100 Rev. D



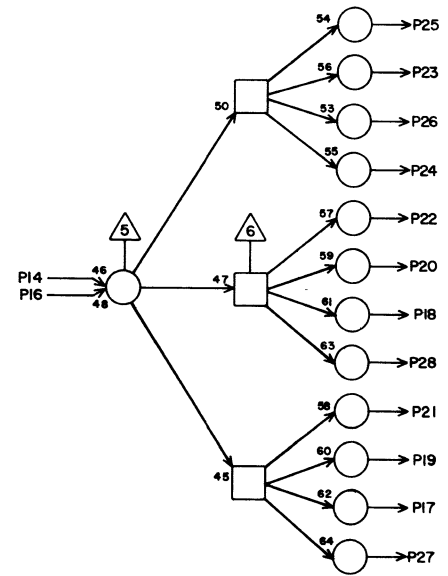
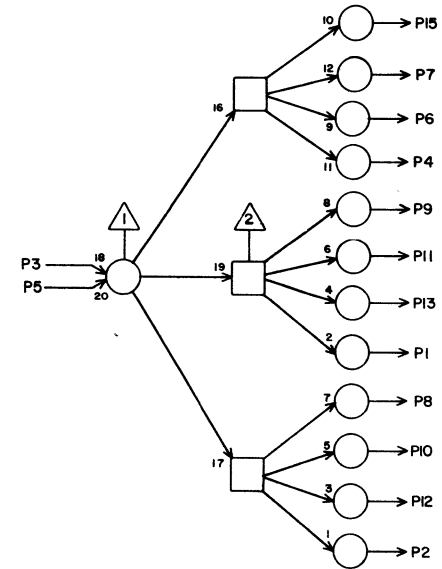
SE 9 H27

JACK	PIN	LG
1	W08	906
2	W04	906
3		
4		
5		
6	H 6	13 23
7	C 9	19 27
8	W08	907
9	F 9	19 21
10	P 9	19 37
11	C 9	11 27
12	M 9	19 27
13	F 9	11 21
14	M 9	11 27
15	G25	20 7
16	G31	10 9
17	G24	10 9
18	P 9	11 35
19	W04	907
20		
21	H 6	18 23
22	H 6	17 23
23	C 9	25 27
24	W04	90
25	F 9	25 21
26	M 9	25 27
27	P 9	25 37
28	W08	90

63017100 Rev. D

LS 63063500
ASSY

D
REV



TC

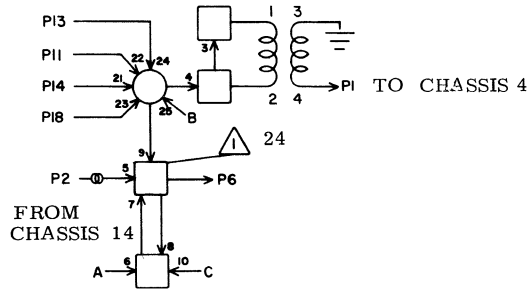
9H28

JACK	PIN	LG
1	I25	4 7
2	I26	4 7
3	G30	11 84
4	I27	4 7
5	H28	X 2
6	I28	4 7
7	I29	4 7
8	I32	4 9
9	I33	4 9
10		
11		
12		
13		
14	G30	9 7
15		
16	H28	X 2
17	I25	27 7
18	I26	27 9
19	I27	27 9
20	I28	27 9
21	I29	27 9
22	I32	27 9
23	I33	27 9
24		
25		
26		
27		
28		

CIRCUIT SPECIFICATION I1827600

63017100 Rev. T

READ-DISTRIBUTE-RESTORE
BIT 24 - BIT 26

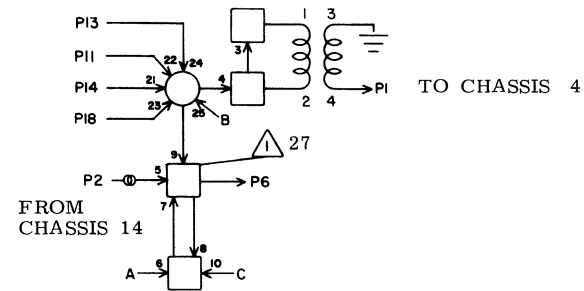


SE 9 H29

1	W08	91	
2	W04	91	
3			
4			
5			
6	H 7	14	23
7	C26	11	23
8	W08	92	
9	F26	11	13
10	P26	11	33
11	C26	5	23
12	M26	11	23
13	F26	5	13
14	M26	5	21
15	G25	21	9
16	G31	11	7
17	G24	5	9
18	P26	5	31
19	W04	92	
20			
21	H 7	13	23
22	H 7	18	23
23	C26	19	23
24	W04	93	
25	F26	19	13
26	M26	19	23
27	P26	19	33
28	W08	93	

JACK PIN LG

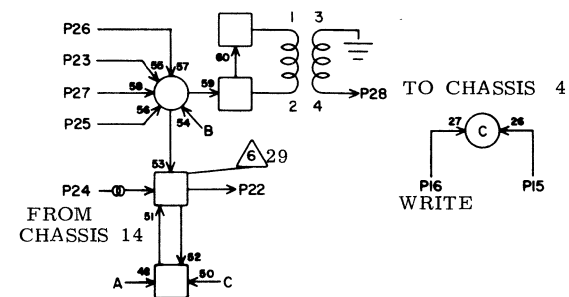
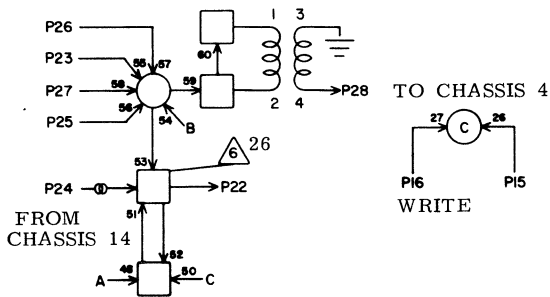
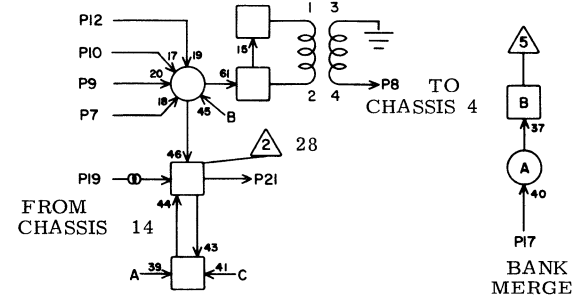
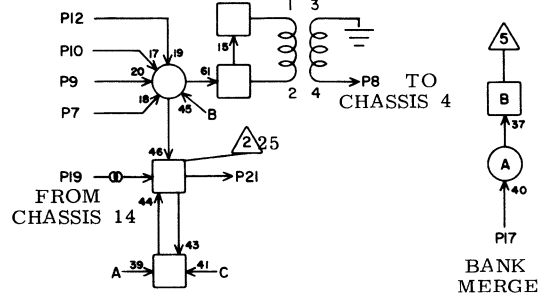
READ-DISTRIBUTE-RESTORE
BIT 27 - BIT 29



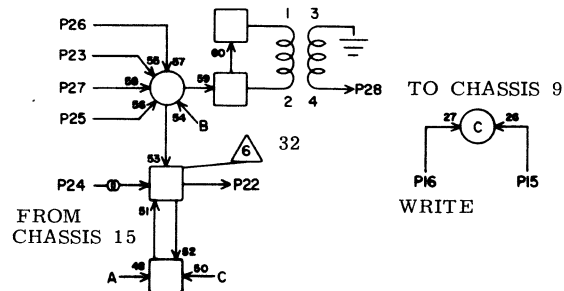
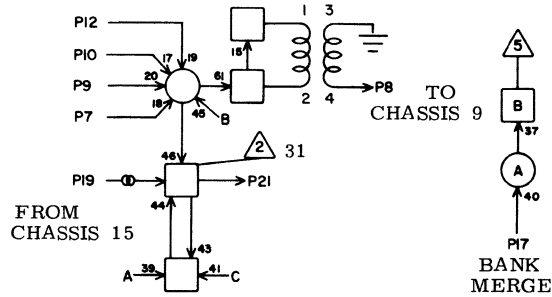
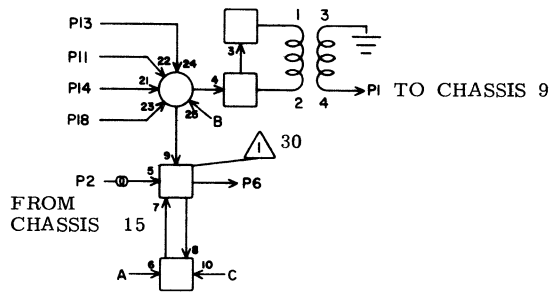
SE 9 H30

1	W08	94	
2	W04	94	
3			
4			
5			
6	H 7	17	23
7	C27	5	23
8	W08	95	
9	F27	5	13
10	P27	5	33
11	C26	25	21
12	M27	5	21
13	F26	25	11
14	M26	25	23
15	G25	22	9
16	G31	12	7
17	G24	12	11
18	P26	25	33
19	W04	95	
20			
21	H 8	14	23
22	H 8	13	23
23	C27	11	23
24	W04	96	
25	F27	11	13
26	M27	11	21
27	P27	11	31
28	W08	96	

JACK PIN LG



READ-DISTRIBUTE-RESTORE
BIT 30 - BIT 32

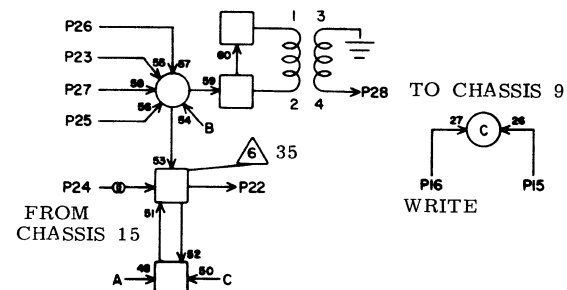
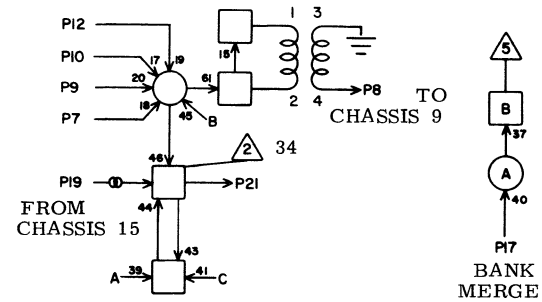
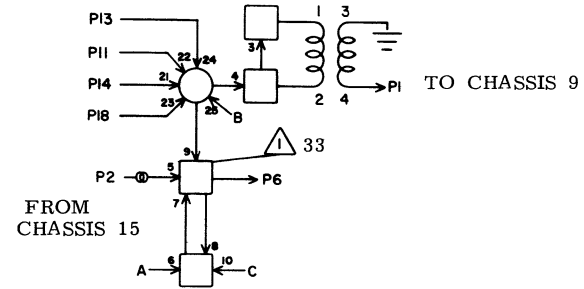


SE 9 H31

JACK	PIN	LG
1	W39	900
2	W05	900
3		
4		
5		
6	H 8	18 23
7	C27	25 21
8	W39	901
9	F27	25 11
10	P27	25 33
11	C27	19 23
12	M27	25 23
13	F27	19 11
14	M27	19 23
15	G25	23 9
16	G31	17 7
17	G24	17 11
18	P27	19 33
19	W05	901
20		
21	H 8	17 23
22	H9	14 23
23	C28	5 23
24	W05	902
25	F28	5 15
26	M28	5 21
27	P28	5 31
28	W39	902

63017100 Rev. D

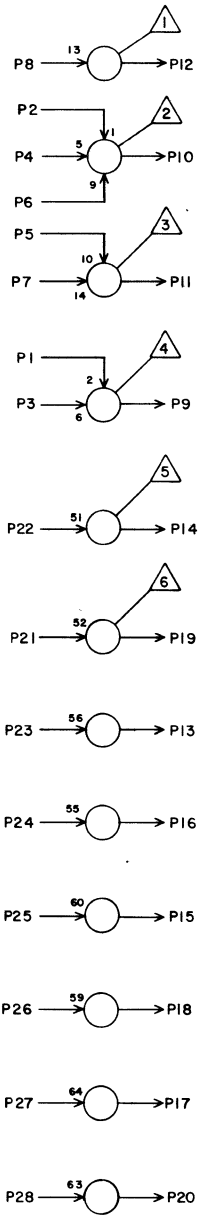
READ-DISTRIBUTE-RESTORE
BIT 33 - BIT 35



SE 9 H32

JACK	PIN	LG
1	W39	903
2	W05	903
3		
4		
5		
6	H 9	13 25
7	C28	19 21
8	W39	904
9	F28	19 11
10	P28	19 33
11	C28	11 23
12	M28	19 23
13	F28	11 13
14	M28	11 23
15	G25	24 11
16	G31	18 7
17	G24	18 13
18	P28	11 33
19	W05	904
20		
21	H 9	18 25
22	H 9	17 25
23	C28	25 23
24	W05	905
25	F28	25 13
26	M28	25 23
27	P28	25 31
28	W39	905

63017100 Rev. D



TL

9H33

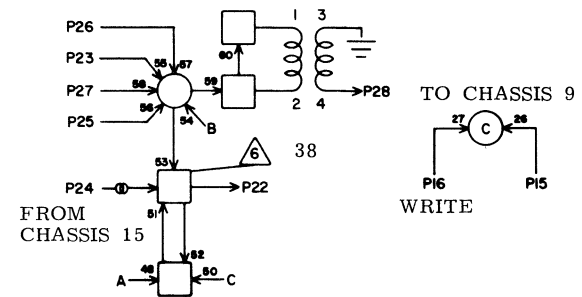
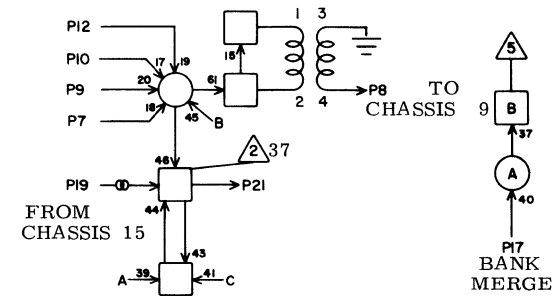
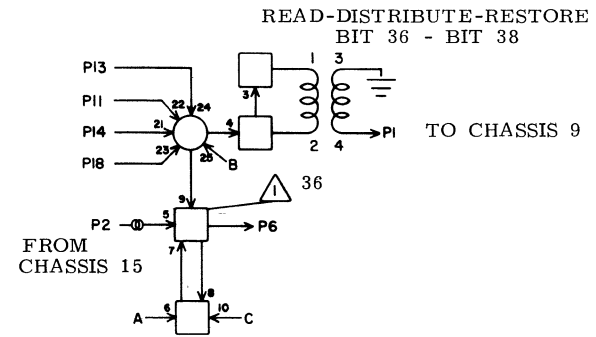
1	G30	17	7
2	G30	20	7
3	I24	2	11
4	I24	1	11
5	I24	5	72
6	H33	X	2
7	G30	14	7
8			
9	I30	14	7
10	I37	14	7
11	H38	3	84
12			
13			
14			
15			
16			
17			
18			
19			
20			
21			
22			
23			
24			
25			
26	I31	11	7
27	I31	12	7
28	I31	17	7

JACK PIN LG

CIRCUIT SPECIFICATION 11827600

C

63017100 Rev. T



SE

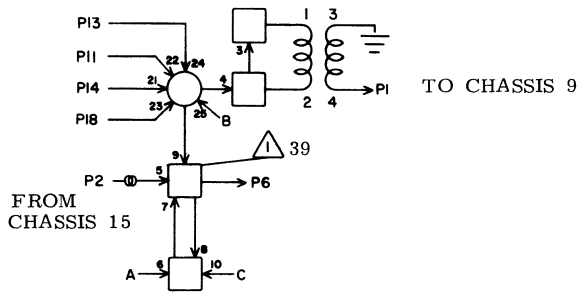
9 H34

1	W39	906	
2	W05	906	
3			
4			
5			
6	H10	14	25
7	C32	11	23
8	W39	907	
9	F32	11	11
10	P32	11	35
11	C32	5	23
12	M32	11	23
13	F32	5	13
14	M32	5	21
15	G25	25	13
16	G31	19	7
17	G24	19	13
18	P32	5	31
19	W05	907	
20			
21	H10	13	25
22	H10	18	25
23	C32	19	23
24	W05	90	
25	F32	19	13
26	M32	19	23
27	P32	19	33
28	W39	90	

JACK PIN LG

63017100 Rev. D

READ-DISTRIBUTE-RESTORE
BIT 39 - BIT 41



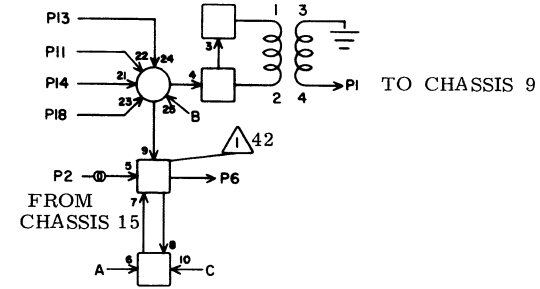
SE 9 **435**

1	W39	91	
2	W05	91	
3			
4			
5			
6	H10	17	25
7	C33	5	23
8	W39	92	
9	F33	5	13
10	P33	5	33
11	C32	25	21
12	M33	5	21
13	F32	25	11
14	M32	25	23
15	G25	26	13
16	G31	20	9
17	G24	20	15
18	P32	25	33
19	W05	92	
20			
21	H11	14	25
22	H11	13	25
23	C33	11	23
24	W05	93	
25	F33	11	13
26	M33	11	21
27	P33	11	31
28	W39	93	

JACK PIN LG

63017100 Rev.D

READ-DISTRIBUTE-RESTORE
BIT 42 - BIT 44

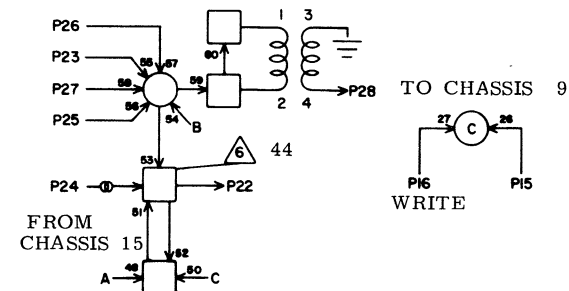
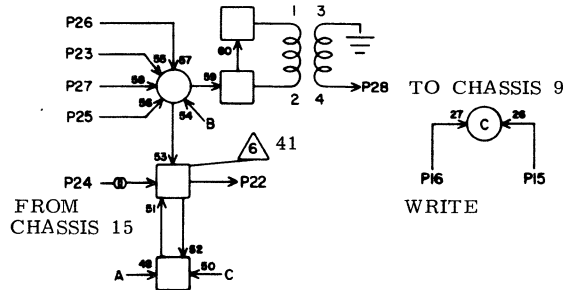
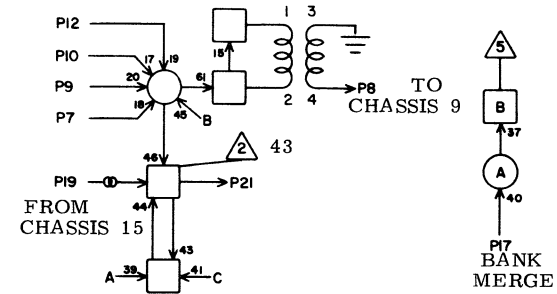
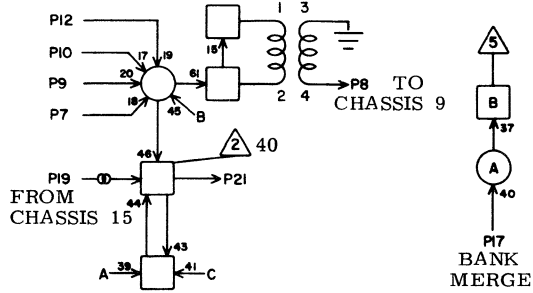


SE **9H36**

1	W39	94	
2	W05	94	
3			
4			
5			
6	H11	18	25
7	C33	25	21
8	W39	95	
9	F33	25	11
10	P33	25	33
11	C33	19	21
12	M33	25	23
13	F33	19	11
14	M33	19	23
15	G25	27	15
16	G31	21	9
17	G24	21	15
18	P33	19	33
19	W05	95	
20			
21	H11	17	25
22	H12	14	25
23	C34	5	23
24	W05	96	
25	F34	5	13
26	M34	5	21
27	P34	5	31
28	W39	96	

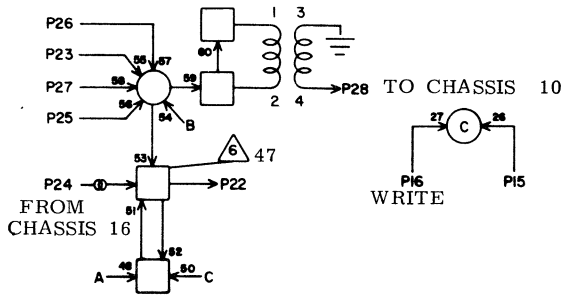
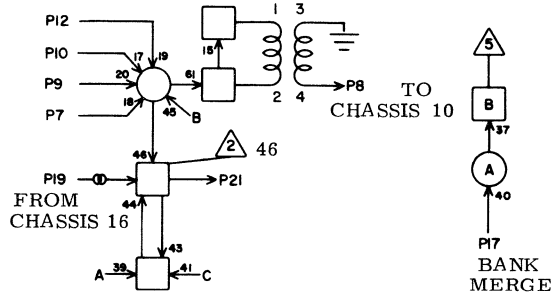
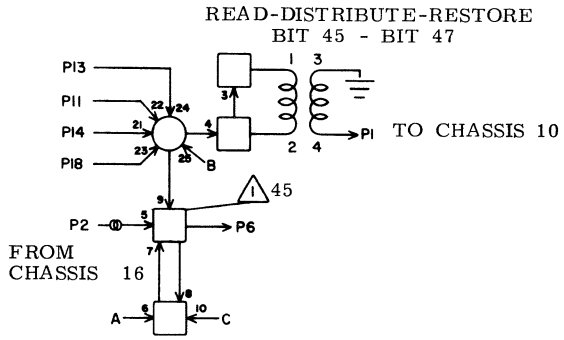
JACK PIN LG

63017100 Rev.D



63017100 Rev.D

63017100 Rev.D



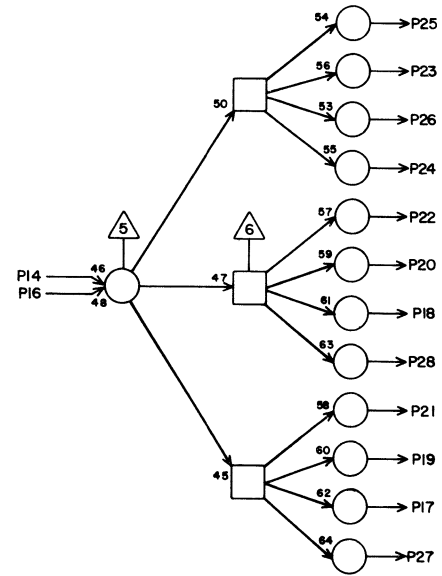
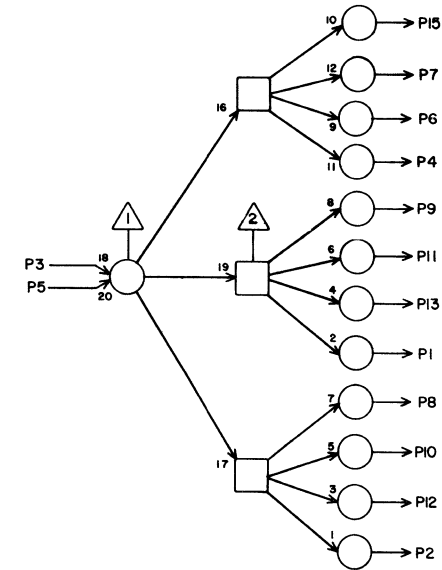
SE 9H37

JACK	PIN	LG
1	W09	900
2	W06	900
3		
4		
5		
6	H12	13 25
7	C34	19 21
8	W09	901
9	F34	19 11
10	P34	19 33
11	C34	11 23
12	M34	19 23
13	F34	11 13
14	M34	11 23
15	G25	28 15
16	G31	22 9
17	G24	22 19
18	P34	11 33
19	W06	901
20		
21	H12	18 25
22	H12	17 25
23	C34	25 23
24	W06	902
25	F34	25 13
26	M34	25 23
27	P34	25 33
28	W09	902

63017100 Rev. D

LS 63063500
ASSY

REV



TC

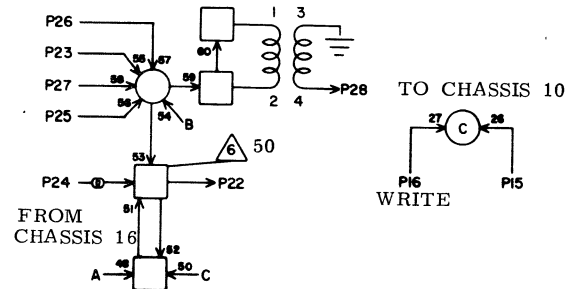
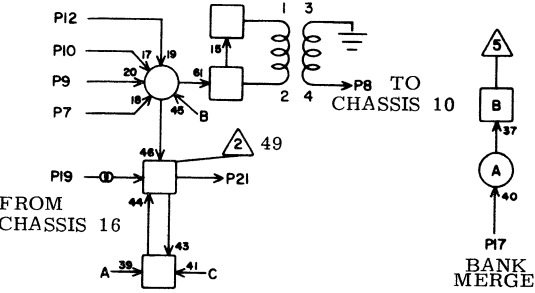
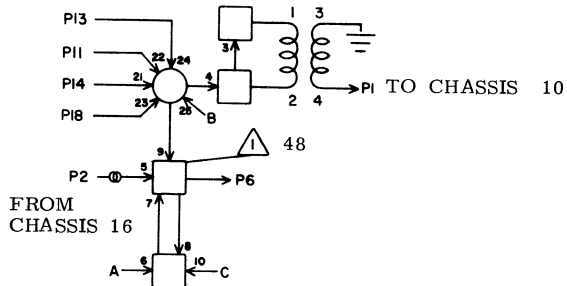
9H38

JACK	PIN	LG
1	I34	4 9
2	I35	4 9
3	H33	11 84
4	I36	4 9
5	H38	X 2
6	I38	4 9
7	I39	4 9
8	I40	4 9
9	I41	4 9
10	I42	4 9
11		
12		
13		
14	G30	10 11
15		
16	H38	X 2
17	I34	27 9
18	I35	27 9
19	I36	27 9
20	I38	27 9
21	I39	27 9
22	I40	27 9
23	I41	27 9
24	I42	27 9
25		
26		
27		
28		

CIRCUIT SPECIFICATION 11827600

63017100 Rev. T

READ-DISTRIBUTE-RESTORE
BIT 48 - BIT 50



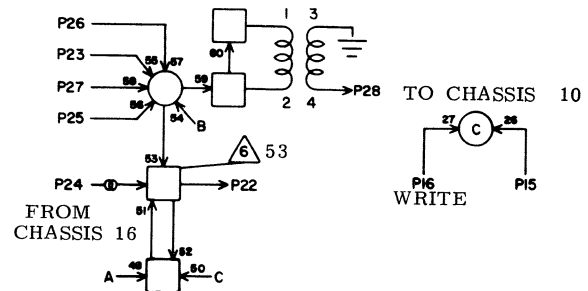
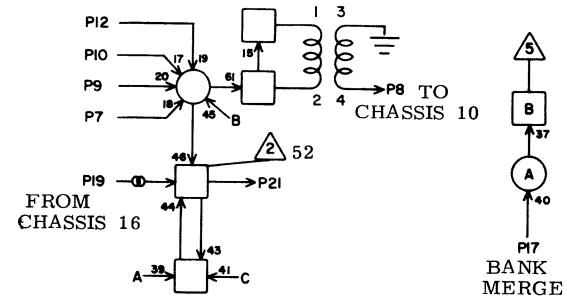
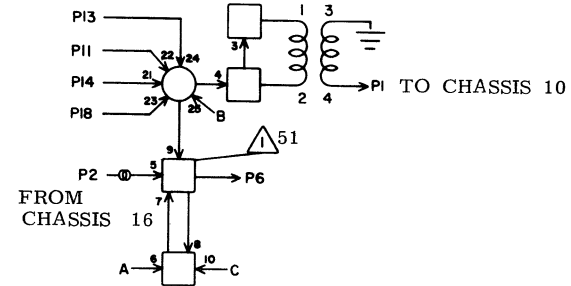
SE 9H39

1	W09	903	
2	W06	903	
3			
4			
5			
6	H13	14	27
7	C38	11	23
8	W09	904	
9	F38	11	11
10	P38	11	33
11	C38	5	23
12	M38	11	23
13	F38	5	13
14	M38	5	21
15	H17	21	23
16	G31	23	11
17	G24	23	19
18	P38	5	31
19	W06	904	
20			
21	H13	13	27
22	H13	18	27
23	C38	19	23
24	W06	905	
25	F38	19	13
26	M38	19	21
27	P38	19	33
28	W09	905	

JACK PIN LG

63017100 Rev. D

READ-DISTRIBUTE-RESTORE
BIT 51 - BIT 53



SE 9H40

1	W09	906	
2	W06	906	
3			
4			
5			
6	H13	17	27
7	C39	5	23
8	W09	907	
9	F39	5	11
10	P39	5	33
11	C38	25	21
12	M39	5	21
13	F38	25	11
14	M38	25	23
15	H17	22	23
16	G31	24	13
17	G24	24	19
18	P38	25	33
19	W06	907	
20			
21	H14	14	27
22	H14	13	27
23	C39	11	23
24	W06	90	
25	F39	11	13
26	M39	11	21
27	P39	11	31
28	W09	90	

JACK PIN LG

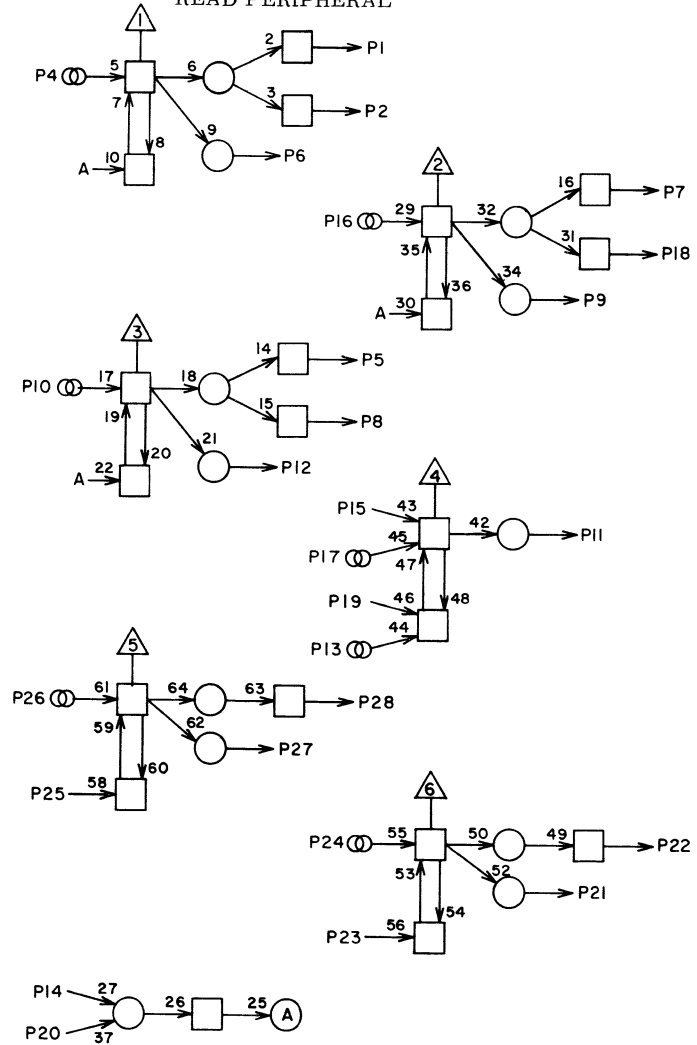
63017100 Rev. D

LS 18058300 A
 ASSY REV

PY

9I24

READ PERIPHERAL



1	H33	4	11
2	H33	3	11
3			
4	W14	99	
5	H33	5	72
6			
7			
8	G30	5	72
9			
10	W14	908	
11			
12			
13			
14	I31	20	9
15			
16			
17			
18			
19			
20	I24	X	2
21			
22			
23			
24			
25			
26			
27			
28			

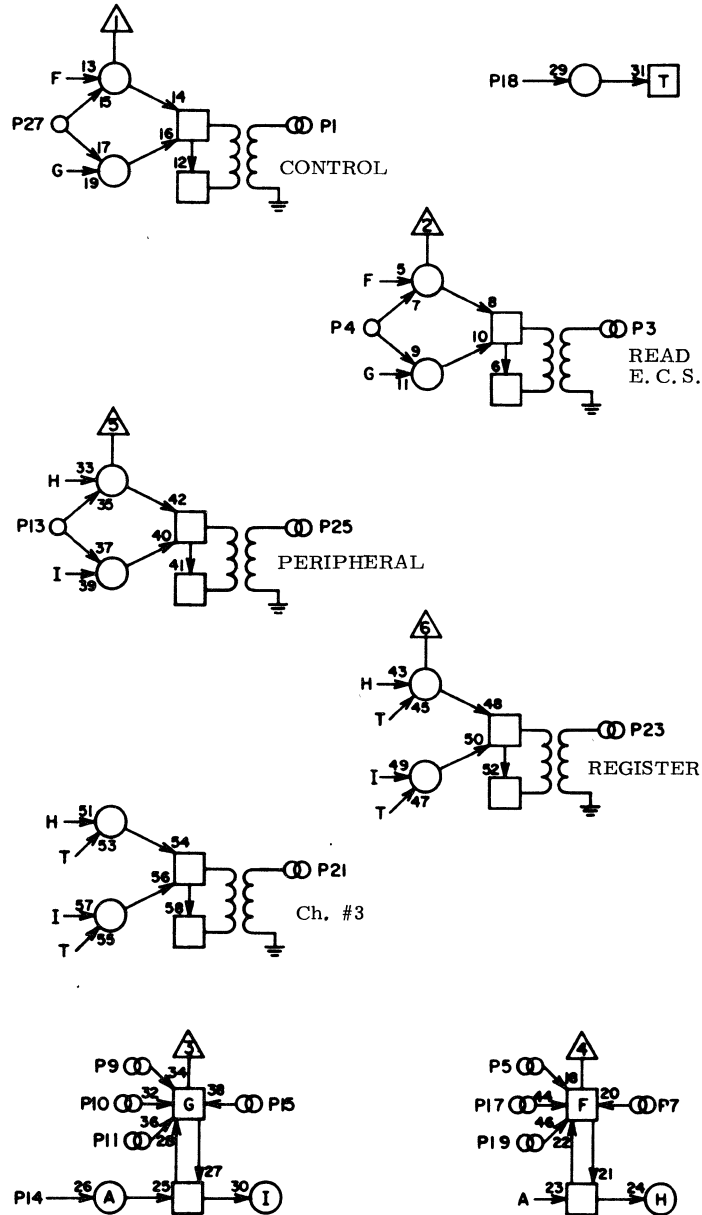
JACK PIN LG

LS 18058700
 ASSY REV

READ DISTRIBUTOR

SJ

9I25



JACK	PIN	LG
1	W10	900
2		
3		
4	H28	1 7
5	W13	900
6		
7	W39	900
8		
9	W15	900
10	W19	900
11	W16	900
12		
13	I30	25 7
14	I30	15 7
15	W18	900
16		
17	W14	900
18	I31	21 9
19	W17	900
20		
21		
22		
23	W12	900
24		
25	W11	900
26		
27	H28	17 7
28		

SEE CIRCUIT SPECIFICATION
 11827600

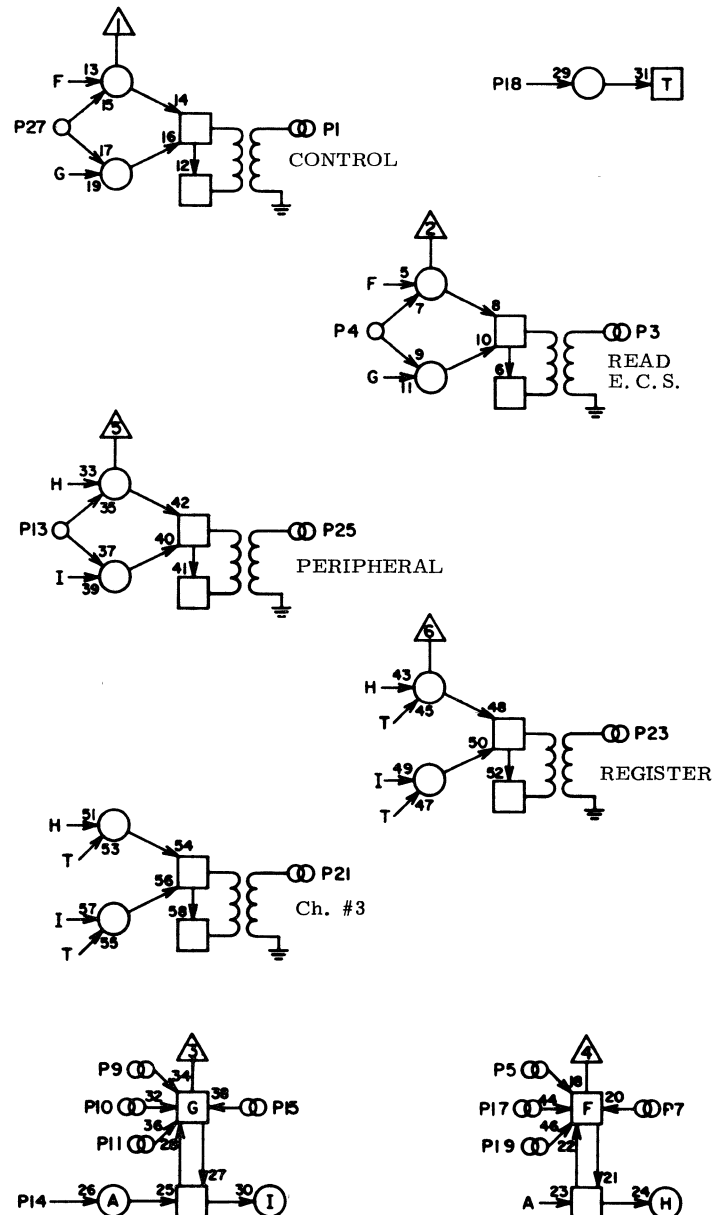
63017100 Rev. E

LS 18058700
 ASSY REV

READ DISTRIBUTOR

SJ

9I26



JACK	PIN	LG
1	W10	901
2		
3		
4	H28	2 7
5	W13	901
6		
7	W39	901
8		
9	W15	901
10	W19	901
11	W16	901
12		
13	I30	23 7
14	I30	7 7
15	W18	901
16		
17	W14	901
18	I31	7 9
19	W17	901
20		
21		
22		
23	W12	901
24		
25	W11	901
26		
27	H28	18 9
28		

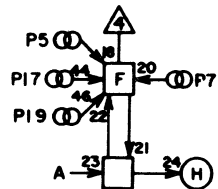
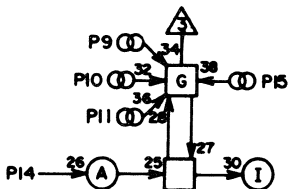
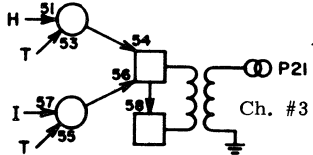
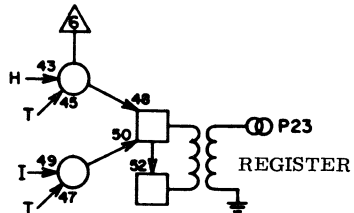
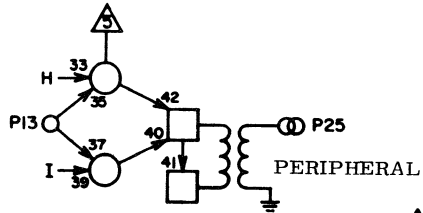
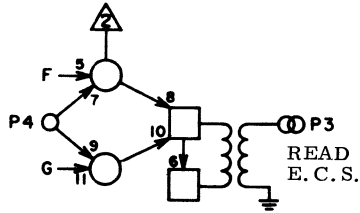
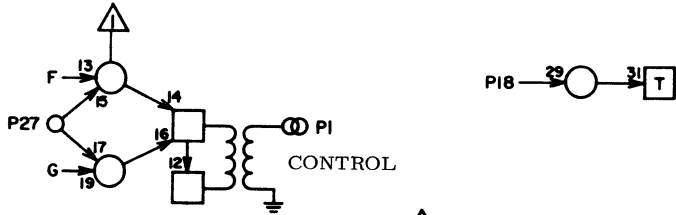
SEE CIRCUIT SPECIFICATION
 11827600

63017100 Rev. E

LS 18058700
ASSY REV

SJ

READ DISTRIBUTOR



9I27

1	W10	902	
2			
3			
4	H28	4	7
5	W13	902	
6			
7	W39	902	
8			
9	W15	902	
10	W19	902	
11	W16	902	
12			
13	I30	26	7
14	I30	6	7
15	W18	902	
16			
17	W14	902	
18	I31	6	7
19	W17	902	
20			
21			
22			
23	W12	902	
24			
25	W11	902	
26			
27	H28	19	9
28			

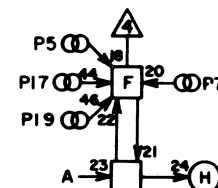
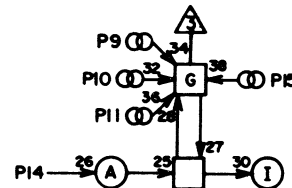
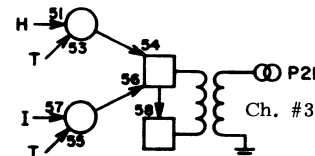
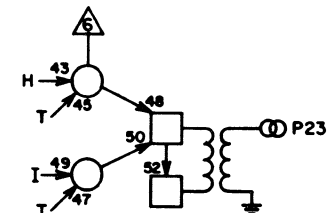
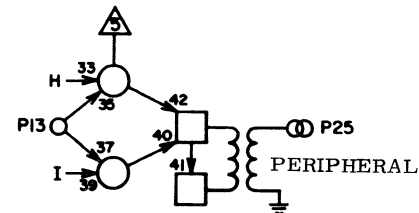
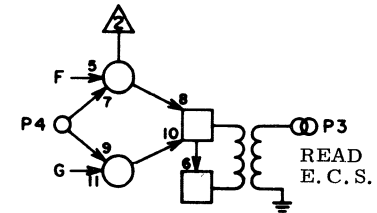
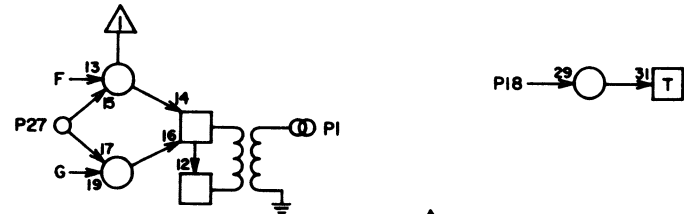
JACK PIN LG
SEE CIRCUIT SPECIFICATION
11827600

63017100 Rev. E

LS 18058700
ASSY REV

SJ

READ DISTRIBUTOR



9I28

1	W10	903	
2			
3			
4	H28	6	7
5	W13	903	
6			
7	W39	903	
8			
9	W15	903	
10	W19	903	
11	W16	903	
12			
13	I30	24	5
14	I30	4	5
15	W18	903	
16			
17	W14	903	
18	I31	4	7
19	W17	903	
20			
21			
22			
23	W12	903	
24			
25	W11	903	
26			
27	H28	20	9
28			

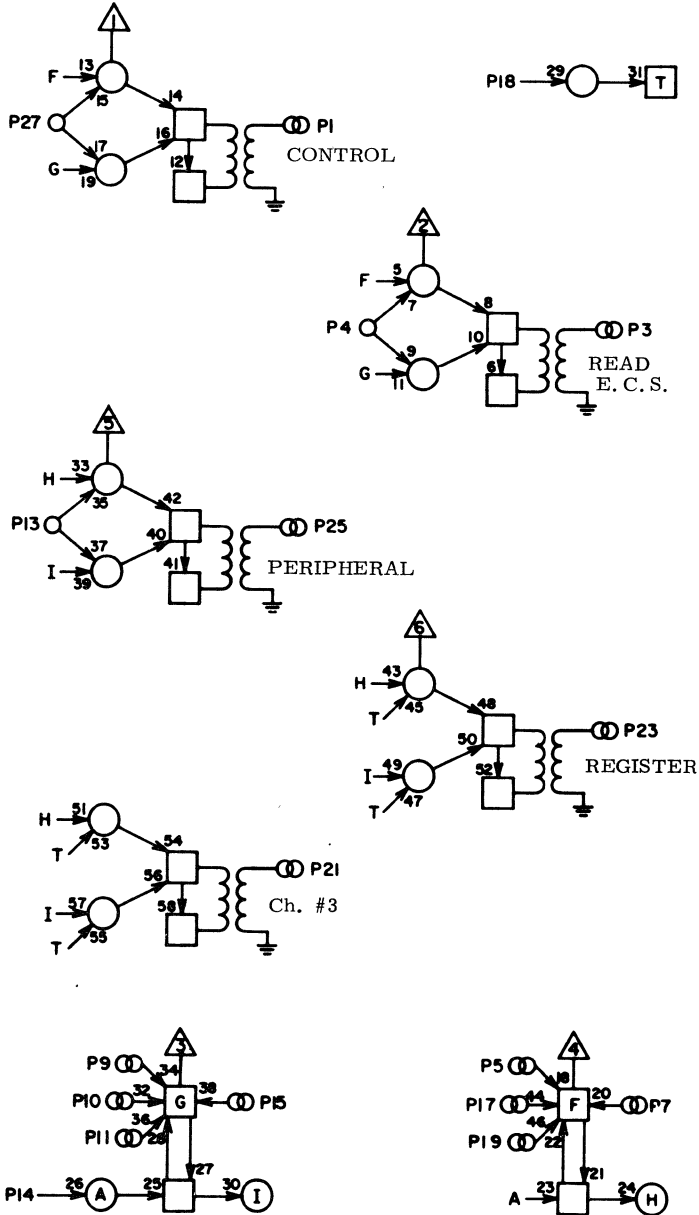
JACK PIN LG
SEE CIRCUIT SPECIFICATION
11827600

63017100 Rev. E

LS 18058700
ASSY REV

SJ

READ DISTRIBUTOR



9I29

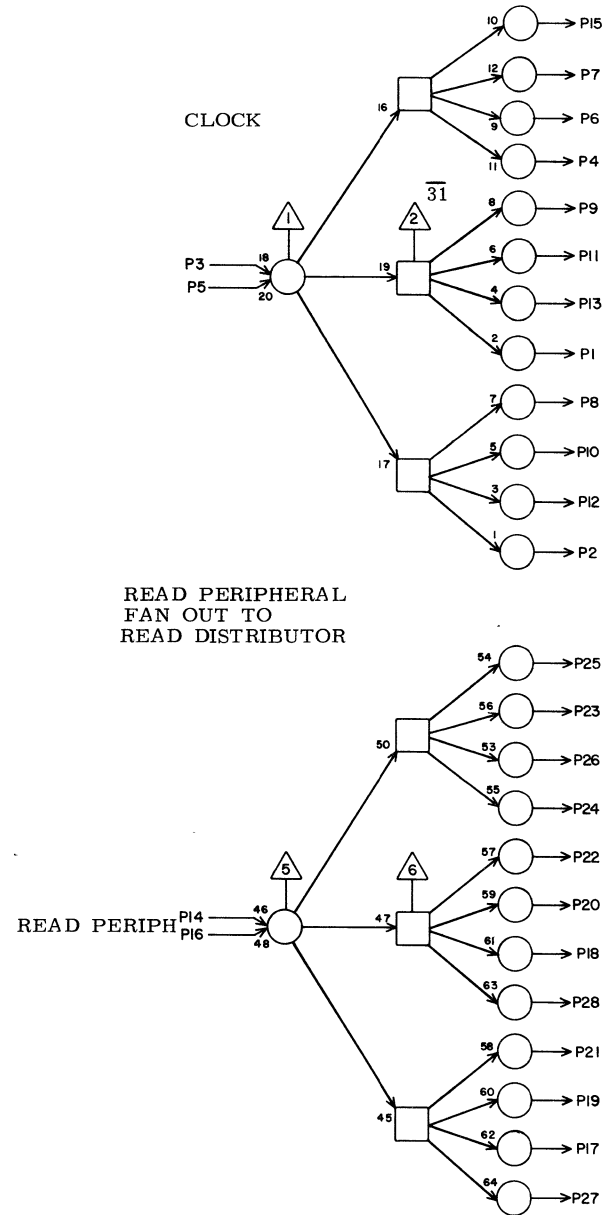
1	W10	904	
2			
3			
4	H28	7	7
5	W13	904	
6			
7	W39	904	
8			
9	W15	904	
10	W19	904	
11	W16	904	
12			
13	I30	22	5
14	I30	9	5
15	W18	904	
16			
17	W14	904	
18	I31	9	5
19	W17	904	
20			
21			
22			
23	W12	904	
24			
25	W11	904	
26			
27	H28	21	9
28			

JACK PIN LG
SEE CIRCUIT SPECIFICATION
11827600

63017100 Rev. E

TC

9 I30



1	I34	14	7
2			
3	G32	17	72
4	I28	14	5
5	I30	X	2
6	I27	14	7
7	I26	14	7
8	I35	14	9
9	I29	14	5
10	I36	14	9
11	I32	14	5
12			
13	I33	14	7
14	H33	9	7
15	I25	14	7
16	I30	X	2
17			
18	I33	13	7
19	I36	13	9
20	I32	13	5
21	I35	13	7
22	I29	13	5
23	I26	13	7
24	I28	13	5
25	I25	13	7
26	I27	13	7
27			
28	I34	13	7

JACK PIN LG

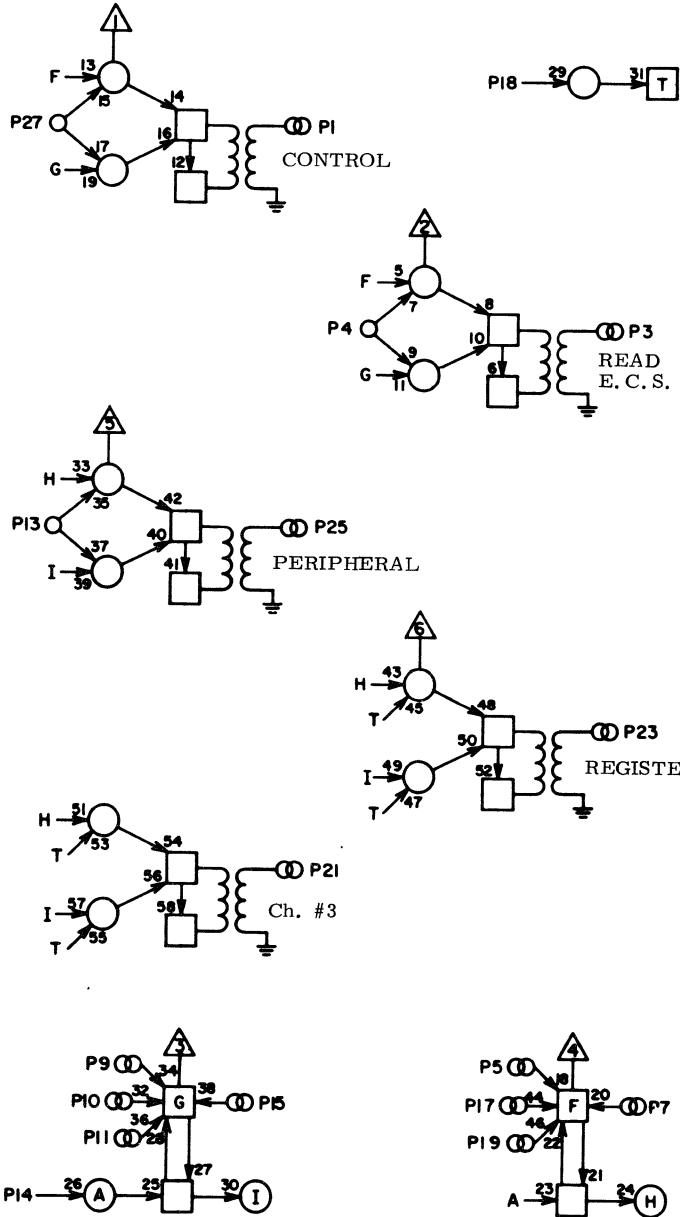
63017100 Rev. T

LS 18058700
ASSY REV

SJ

READ DISTRIBUTOR

9I33



JACK	PIN	LG
1	W10	906
2		
3		
4	H28	9 9
5	W13	906
6		
7	W39	906
8		
9	W15	906
10	W19	906
11	W16	906
12		
13	I30	18 7
14	I30	13 7
15	W18	906
16		
17	W14	906
18	I31	19 5
19	W17	906
20		
21	W02	90
22		
23	W21	900
24		
25	W11	906
26		
27	H28	23 9
28		

SEE CIRCUIT SPECIFICATION
11827600

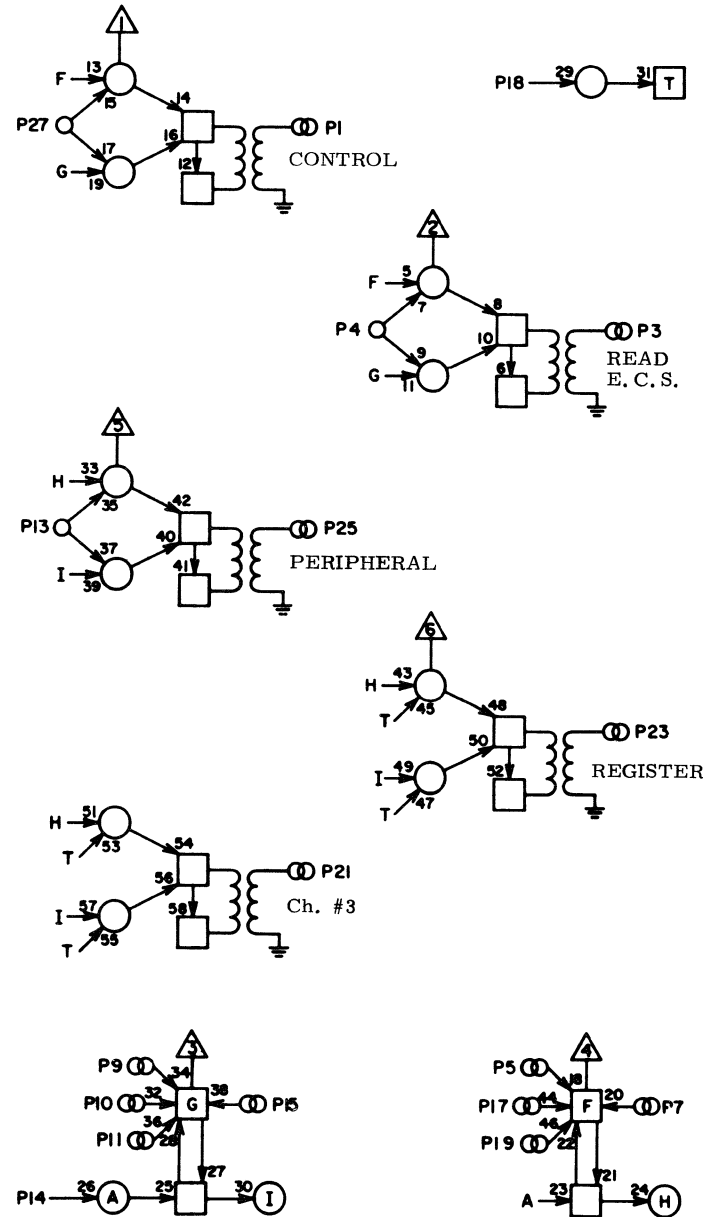
63017100 Rev. J

LS 18058700
ASSY REV

SJ

READ DISTRIBUTOR

9I34



JACK	PIN	LG
1	W10	907
2		
3		
4	H38	1 9
5	W13	907
6		
7	W39	907
8		
9	W15	907
10	W19	907
11	W16	907
12		
13	I30	28 7
14	I30	1 7
15	W18	907
16		
17	W14	907
18	I31	5 7
19	W17	907
20		
21	W02	91
22		
23	W21	901
24		
25	W11	907
26		
27	H38	17 9
28		

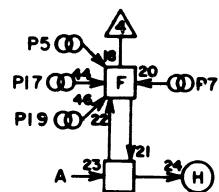
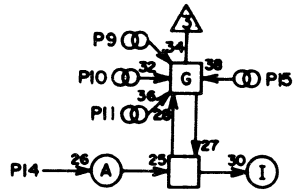
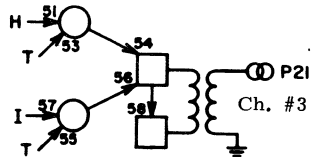
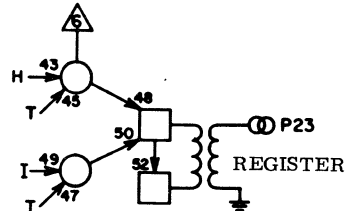
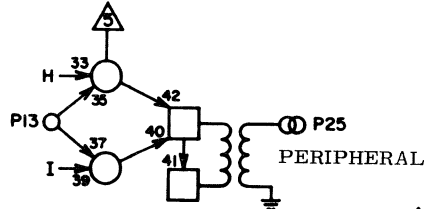
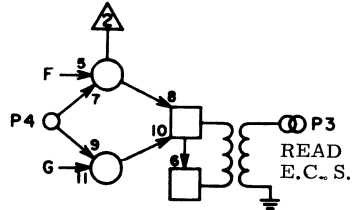
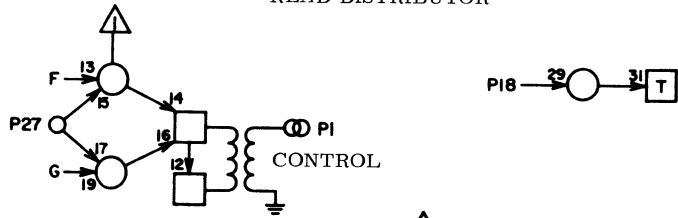
SEE CIRCUIT SPECIFICATION
11827600

63017100 Rev. E

LS 18058700
ASSY REV

SJ

READ DISTRIBUTOR



9I35

1	W10	90	
2			
3			
4	H38	2	9
5	W13	90	
6			
7	W39	90	
8			
9	W15	90	
10	W19	90	
11	W16	90	
12			
13	I30	21	7
14	I30	8	9
15	W18	90	
16			
17	W14	90	
18	I31	8	7
19	W17	90	
20			
21	W02	92	
22			
23	W21	902	
24			
25	W11	90	
26			
27	H38	18	9
28			

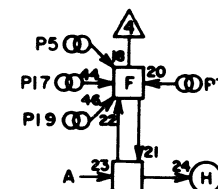
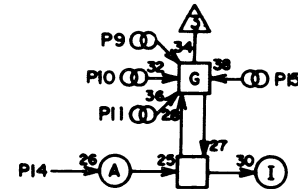
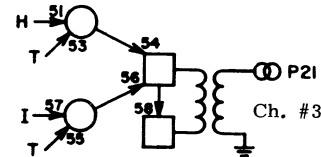
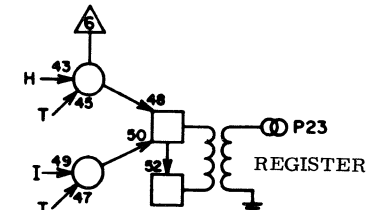
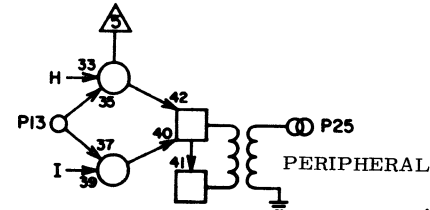
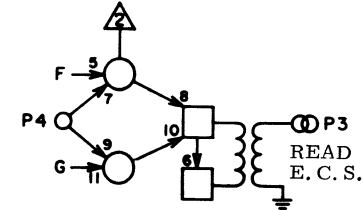
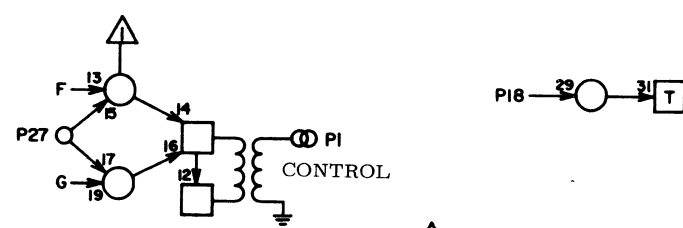
JACK PIN LG
SEE CIRCUIT SPECIFICATION
11827600

63017100 Rev. I

LS 18058700
ASSY REV

SJ

READ DISTRIBUTOR

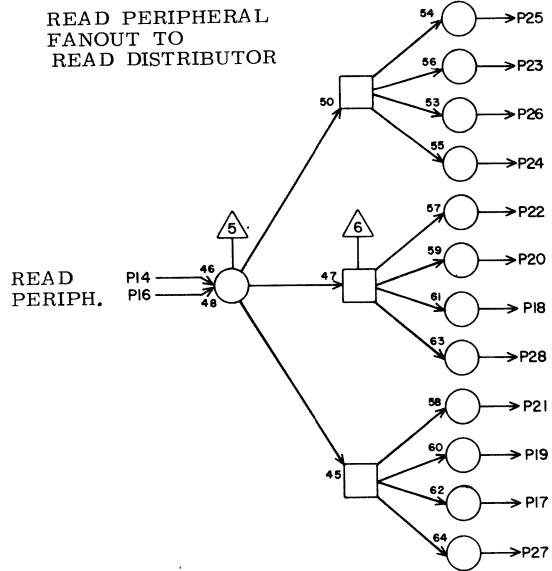
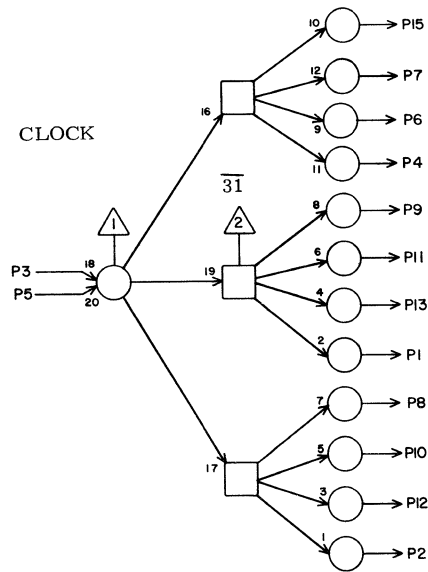


9I36

1	W10	91	
2			
3			
4	H38	4	9
5	W13	91	
6			
7	W39	91	
8			
9	W15	91	
10	W19	91	
11	W16	91	
12			
13	I30	19	9
14	I30	10	9
15	W18	91	
16			
17	W14	91	
18	I31	10	7
19	W17	91	
20			
21	W02	93	
22			
23	W21	903	
24			
25	W11	91	
26			
27	H38	19	9
28			

JACK PIN LG
SEE CIRCUIT SPECIFICATION
11827600

63017100 Rev. F



TC 9 I37

1			
2			
3	G32	19	72
4	I41	14	7
5	I37	X	2
6	I40	14	7
7	I39	14	5
8			
9	I42	14	9
10			
11			
12			
13			
14	H33	10	7
15	I38	14	5
16	I37	X	2
17			
18			
19			
20			
21			
22	I42	13	9
23	I39	13	5
24	I41	13	7
25	I38	13	5
26	I40	13	7
27			
28			

JACK PIN LG

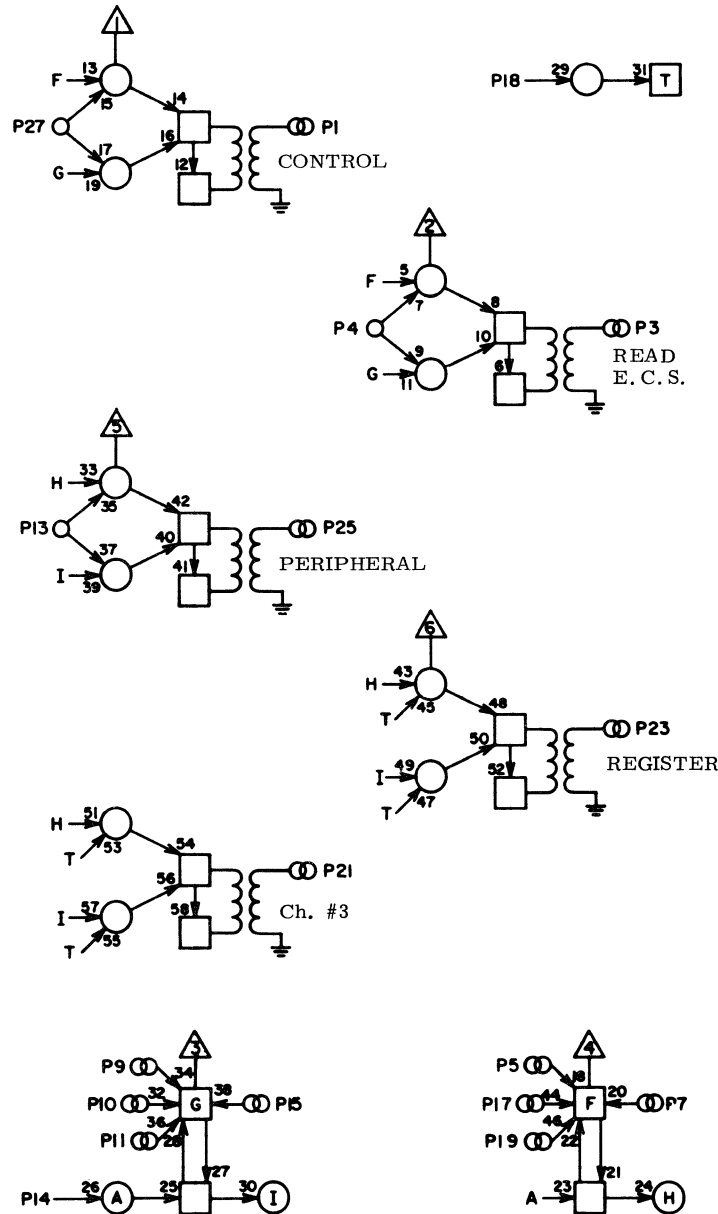
63017100 Rev. T

LS 18058700 REV
ASSY

SJ

9I38

READ DISTRIBUTOR



1	W10	92	
2			
3			
4	H38	6	9
5	W13	92	
6			
7	W39	92	
8			
9	W15	92	
10	W19	92	
11	W16	92	
12			
13	I37	25	5
14	I37	15	5
15	W18	92	
16			
17	W14	92	
18	I31	25	11
19	W17	92	
20			
21	W02	94	
22			
23	W21	904	
24			
25	W11	92	
26			
27	H38	20	9
28			

JACK PIN LG

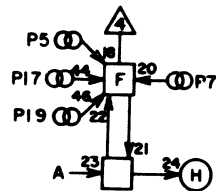
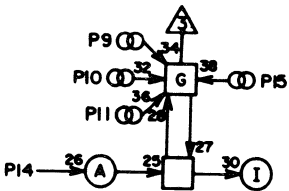
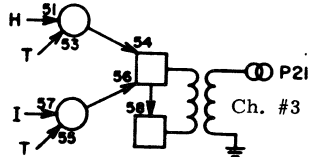
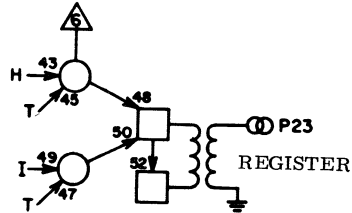
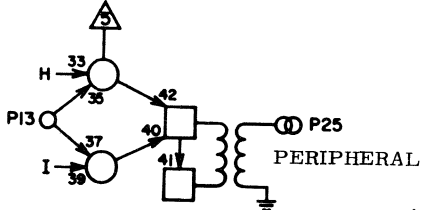
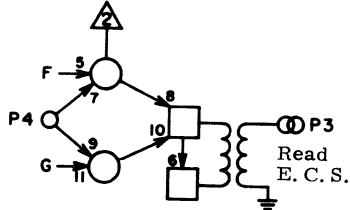
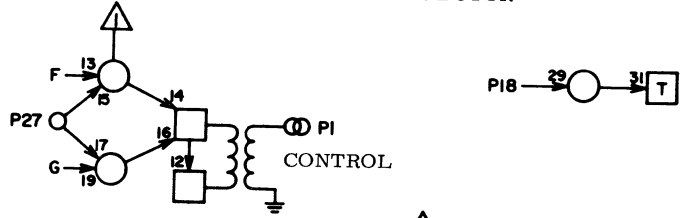
SEE CIRCUIT SPECIFICATION
11827600

63017100 Rev. J

LS 18058700
ASSY REV

SJ

READ DISTRIBUTOR



9I39

1	W10	93	
2			
3			
4	H38	7	9
5	W13	93	
6			
7	W39	93	
8			
9	W15	93	
10	W19	93	
11	W16	93	
12			
13	I37	23	5
14	I37	7	5
15	W18	93	
16			
17	W14	93	
18	I31	23	11
19	W17	93	
20			
21	W02	95	
22			
23	W21	905	
24			
25	W11	93	
26			
27	H38	21	9
28			

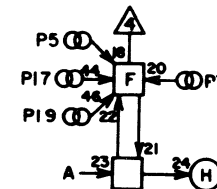
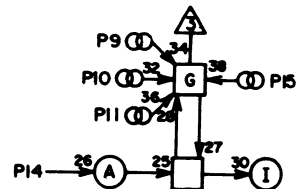
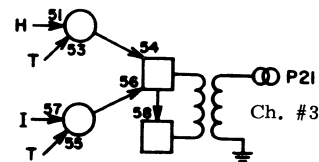
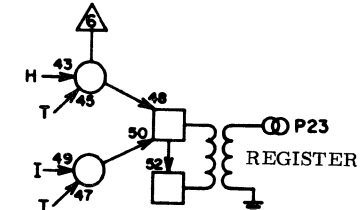
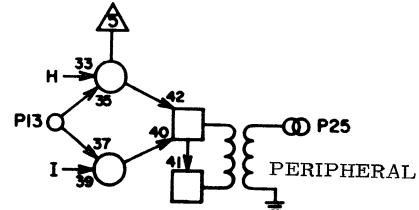
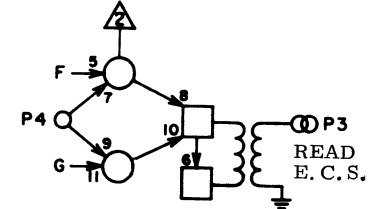
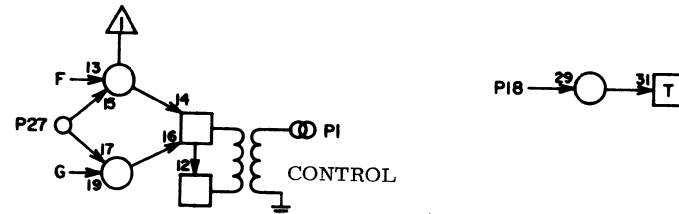
JACK PIN LG
SEE CIRCUIT SPECIFICATION
11827600

63017100 Rev. J

LS 18058700
ASSY REV

SJ

READ DISTRIBUTOR



9I40

1	W10	94	
2			
3			
4	H38	8	9
5	W13	94	
6			
7	W39	94	
8			
9	W15	94	
10	W19	94	
11	W16	94	
12			
13	I37	26	7
14	I37	6	7
15	W18	94	
16			
17	W14	94	
18	I31	26	13
19	W17	94	
20			
21	W02	96	
22			
23	W21	906	
24			
25	W11	94	
26			
27	H38	22	9
28			

JACK PIN LG
SEE CIRCUIT SPECIFICATION
11827600

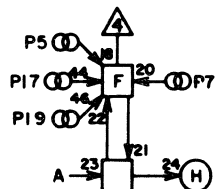
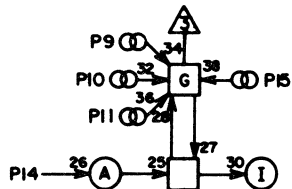
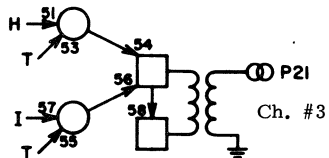
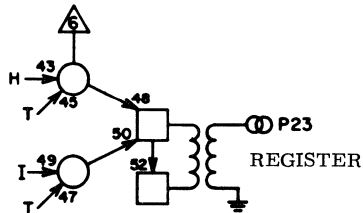
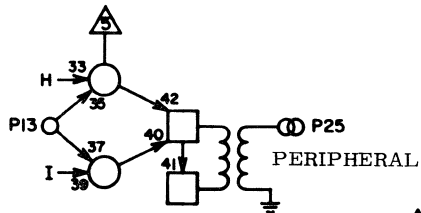
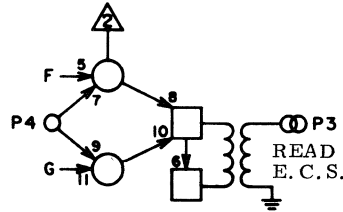
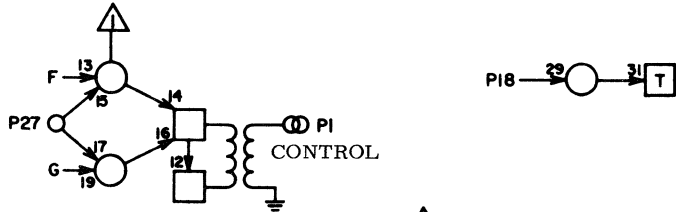
63017100 Rev. J

LS 18058700
 ASSY REV

READ DISTRIBUTOR

SJ

9I41



1	W10	95	
2			
3			
4	H38	9	9
5	W13	95	
6			
7	W39	95	
8			
9	W15	95	
10	W19	95	
11	W16	95	
12			
13	I37	24	7
14	I87	4	7
15	W18	95	
16			
17	W14	95	
18	I31	24	13
19	W17	95	
20			
21	W02	97	
22			
23	W21	907	
24			
25	W11	95	
26			
27	H38	23	9
28			

JACK PIN LG
 SEE CIRCUIT SPECIFICATION
 11827600

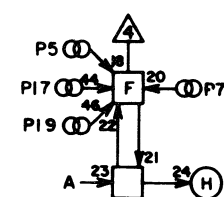
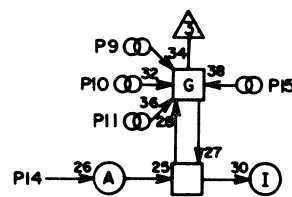
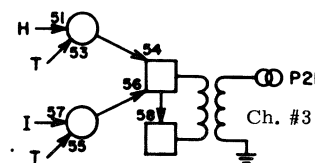
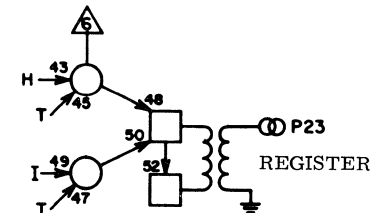
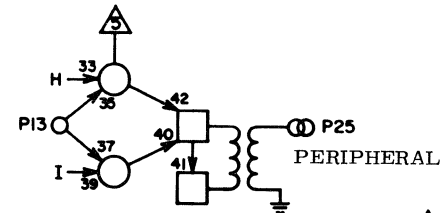
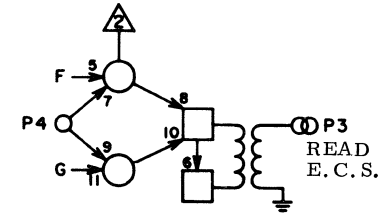
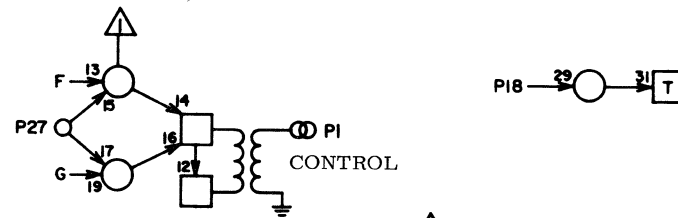
63017100 Rev. 1

LS 18058700
 ASSY REV

READ DISTRIBUTOR

SJ

9I42

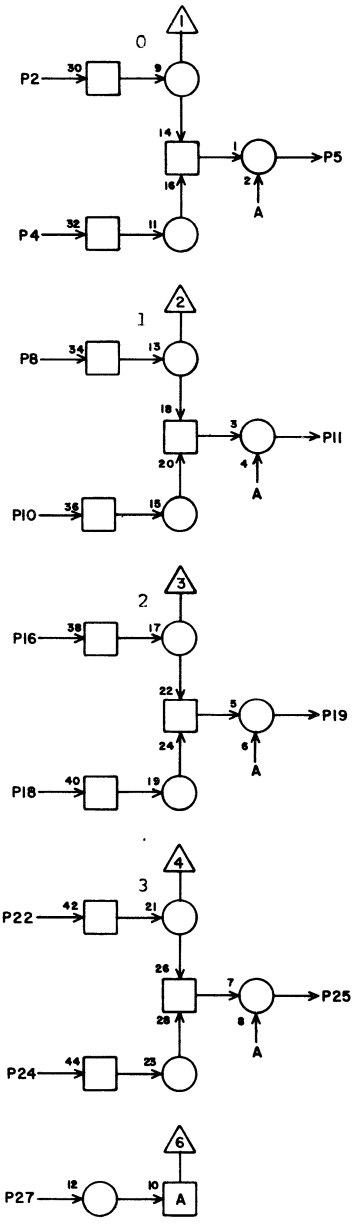


1	W10	96	
2			
3			
4	H38	10	9
5	W13	96	
6			
7	W39	96	
8			
9	W15	96	
10	W19	96	
11	W16	95	
12			
13	I37	22	9
14	I37	9	9
15	W18	96	
16			
17	W14	96	
18	I31	22	15
19	W17	96	
20			
21	W02	98	
22			
23	W21	908	
24			
25	W11	96	
26			
27	H38	24	9
28			

JACK PIN LG
 SEE CIRCUIT SPECIFICATION
 11827600

63017100 Rev. 1

BANK 12 SENSE



SENSE

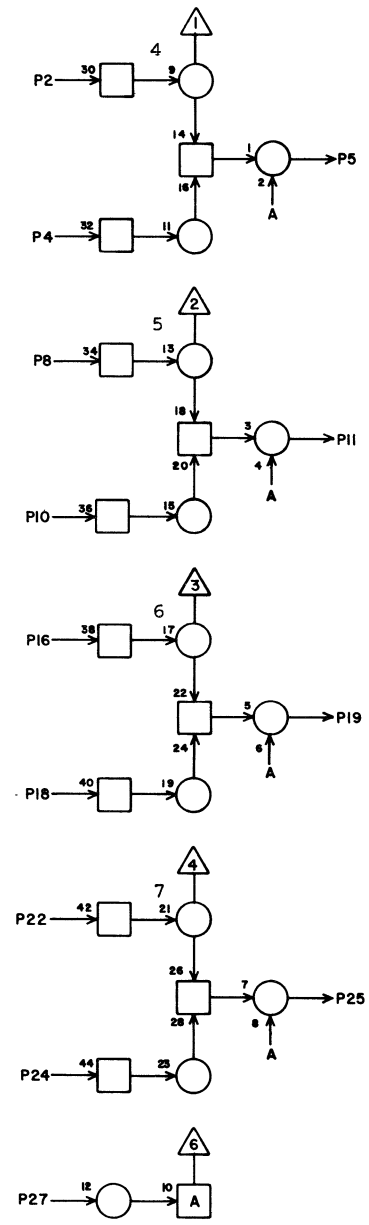
PS 9M 1

1			
2	N 1	1	9
3			
4	N 1	3	9
5	H19	14	27
6			
7			
8	N 1	27	11
9			
10	N 1	29	11
11	H19	12	27
12			
13			
14			
15			
16	N 8	28	13
17			
18	N 8	30	13
19	H19	26	27
20			
21			
22	N 8	2	11
23			
24	N 8	4	11
25	H20	14	29
26	M14	15	15
27	M18	5	19
28	M 2	26	3

JACK PIN LG

63017100 Rev. D

BANK 12 SENSE



SENSE

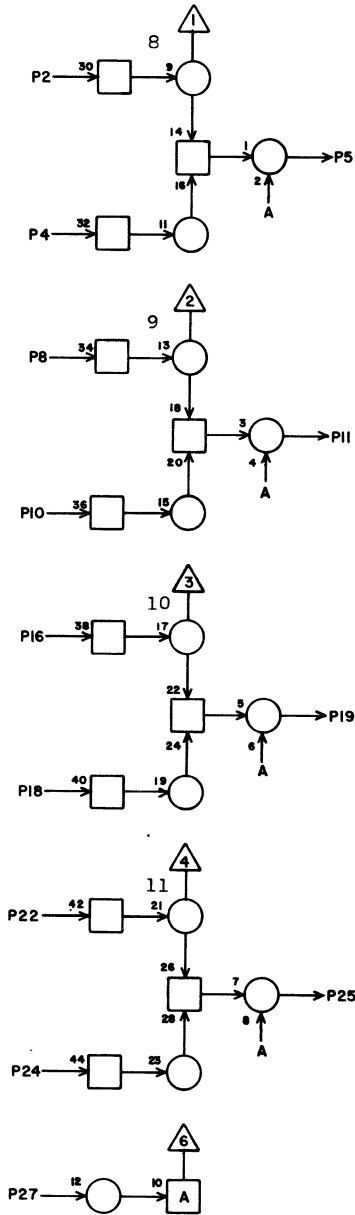
PS 9M 2

1			
2	N 1	5	9
3			
4	N 1	7	9
5	H20	12	27
6			
7			
8	N 1	23	11
9			
10	N 1	25	11
11	H20	26	27
12			
13			
14			
15			
16	N 8	6	11
17			
18	N 8	8	11
19	H21	14	29
20			
21			
22	N 8	24	13
23			
24	N 8	26	13
25	H21	12	29
26	M 1	28	3
27	M18	7	17
28	M 3	26	3

JACK PIN LG

63017100 Rev. D

BANK 12 . SENSE



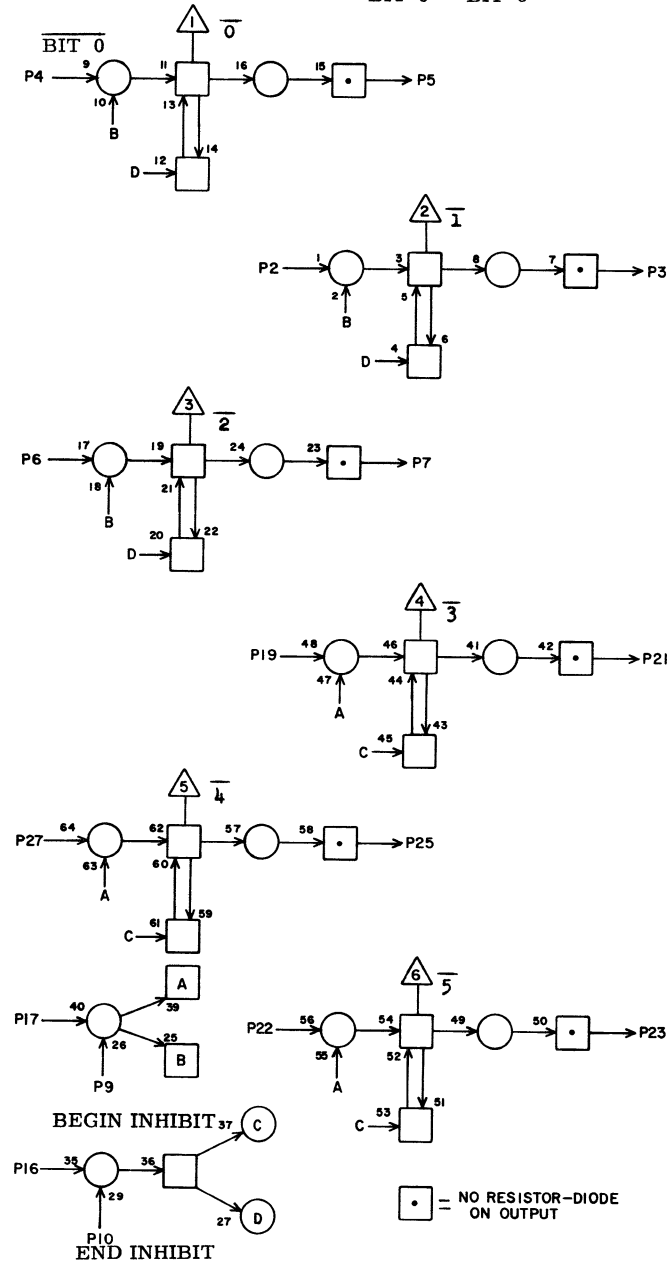
SENSE

PS 9 M 3

JACK	PIN	LG
1		
2	N 1	19 11
3		
4	N 1	21 11
5	H21	26 27
6		
7		
8	N 1	9 9
9		
10	N 1	11 9
11	H22	14 27
12		
13		
14		
15		
16	N 8	10 11
17		
18	N 8	12 11
19	H22	12 29
20		
21		
22	N 8	20 11
23		
24	N 8	22 11
25	H22	26 29
26	M 2	28 3
27	M18	9 17
28	M 7	26 7

63017100 Rev. D

BANK 12 RESTORE
BIT 0 - BIT 5



• = NO RESISTOR-DIODE ON OUTPUT

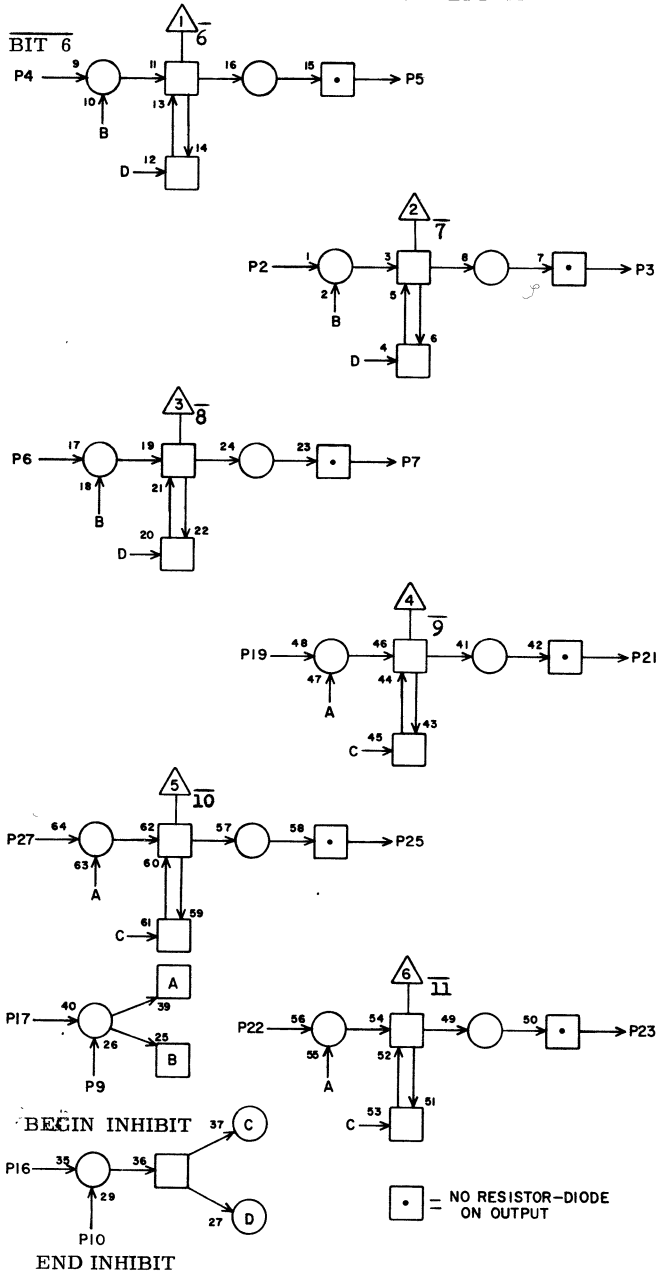
SPECIAL MODULE P2 9 M 4

JACK	PIN	LG
1		
2	G 1	9 25
3	N 8	5 11
4	G 1	5 25
5	N 8	29 13
6	G 1	26 25
7	N 1	6 11
8		
9	M20	6 17
10	M20	16 17
11		
12		
13		
14		
15		
16	M21	19 19
17	M21	1 19
18		
19	G 1	21 25
20		
21	N 1	26 11
22	G 2	9 27
23	N 8	1 9
24		
25	N 8	27 11
26		
27	G 2	5 27
28		

JACK PIN LG

63017100 Rev. D

BANK 12 RESTORE
BIT 6 - BIT 11

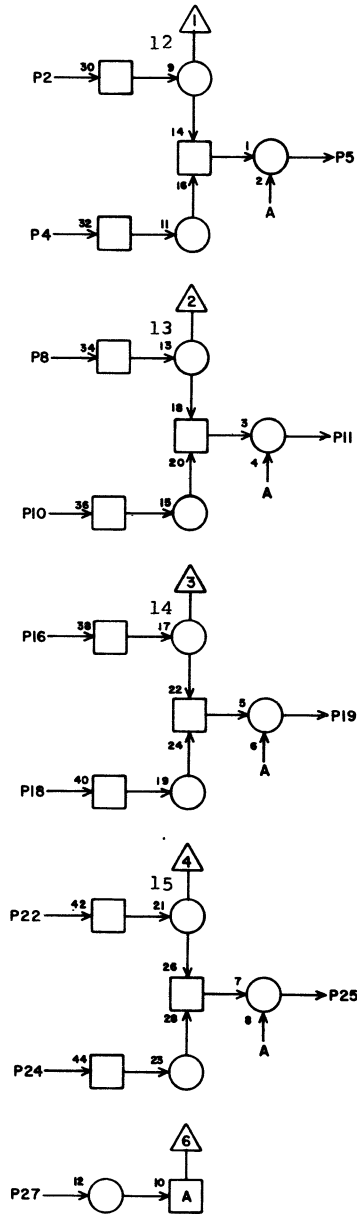


SPECIAL MODULE P2 9 M 5

1			
2	G 2	21	25
3	N 1	4	11
4	G 2	26	25
5	N 1	28	13
6	G 3	5	25
7	N 8	3	9
8			
9	M20	8	15
10	M20	18	17
11			
12			
13			
14			
15			
16	M21	20	17
17	M21	2	17
18			
19	G 3	9	27
20			
21	N 8	25	11
22	G 3	21	27
23	N 1	2	9
24			
25	N 1	30	11
26			
27	G 3	26	27
28			

JACK PIN LG

BANK 12 SENSE

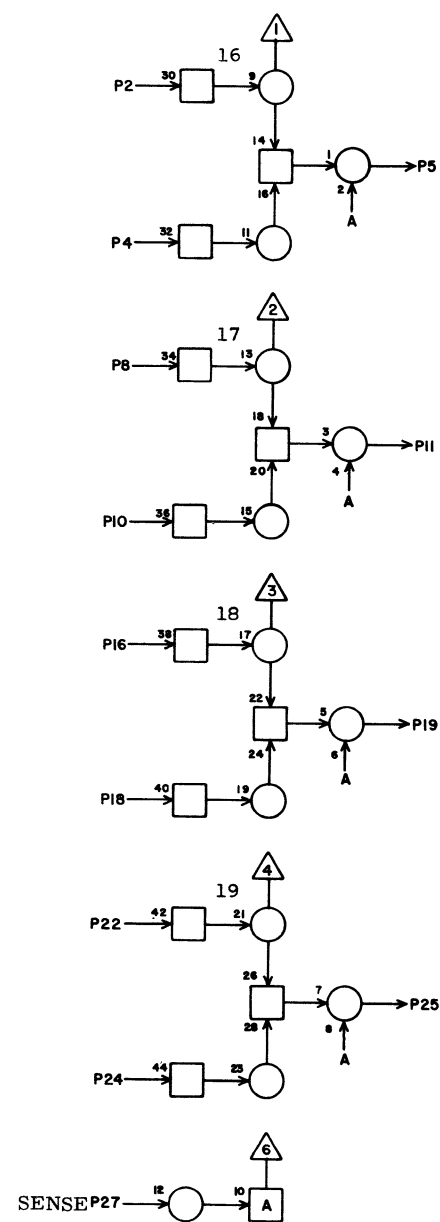


PS		9M 7	
1			
2	N10	1	9
3			
4	N10	3	9
5	H24	14	27
6			
7			
8	N10	27	11
9			
10	N10	29	11
11	H24	12	27
12			
13			
14			
15			
16	N16	28	15
17			
18	N16	30	13
19	H24	26	27
20			
21			
22	N16	2	13
23			
24	N16	4	13
25	H25	14	29
26	M 3	28	7
27	M18	11	13
28	M 8	26	3

JACK PIN LG

63017100 Rev. D

BANK 12 SENSE

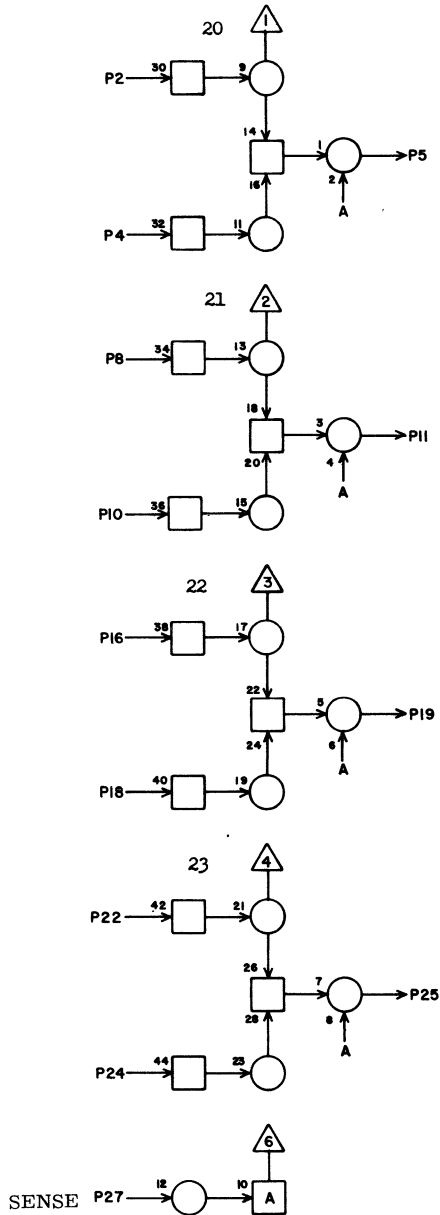


PS		9 M 8	
1			
2	N10	5	9
3			
4	N10	7	9
5	H25	12	27
6			
7			
8	N10	23	11
9			
10	N10	25	11
11	H25	26	27
12			
13			
14			
15			
16	N16	6	13
17			
18	N16	8	13
19	H26	14	27
20			
21			
22	N16	24	13
23			
24	N16	26	13
25	H26	12	29
26	M 7	28	3
27	M18	13	13
28	M 9	26	3

JACK PIN LG

63017100 Rev.D

BANK 12 SENSE

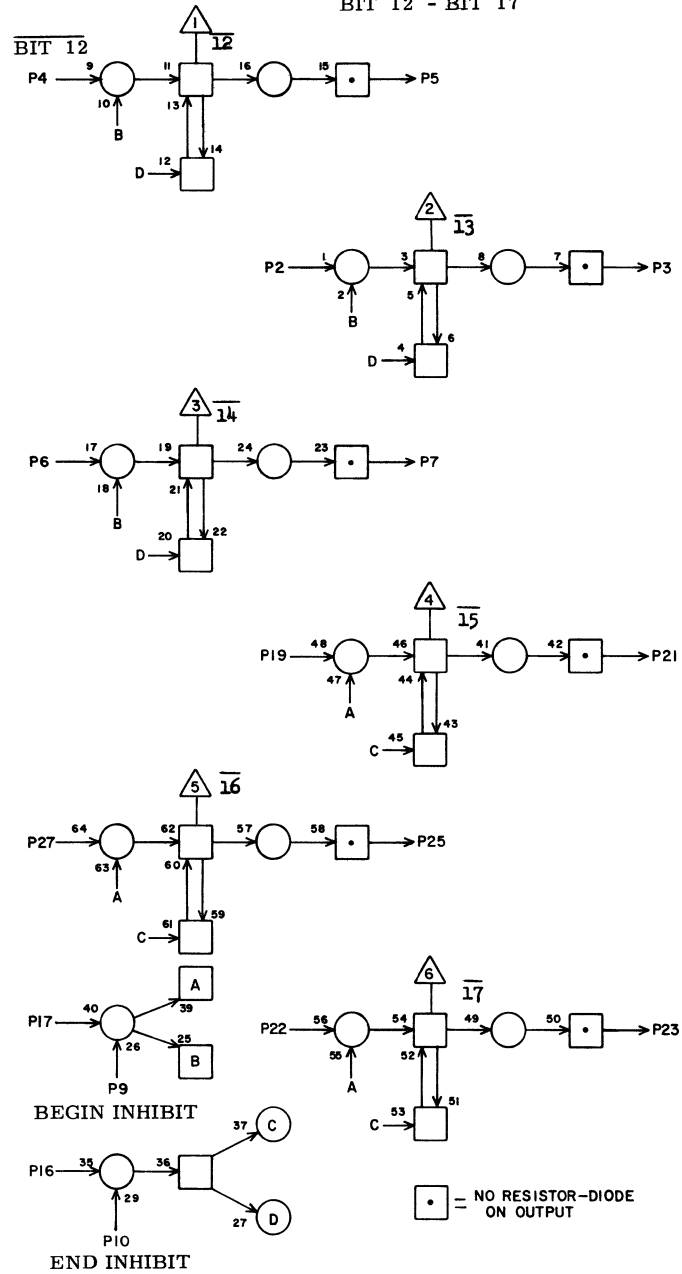


PS 9 M 9

PS	JACK	PIN	LG
1			
2	N10	19	13
3			
4	N10	21	13
5	H26	26	25
6			
7			
8	N10	9	9
9			
10	N10	11	9
11	H27	14	27
12			
13			
14			
15			
16	N16	10	13
17			
18	N16	12	13
19	H27	12	27
20			
21			
22	N16	20	13
23			
24	N16	22	13
25	H27	26	27
26	M 8	28	3
27	M18	16	11
28	M26	26	19

63017100 Rev. D

BANK 12 RESTORE
BIT 12 - BIT 17

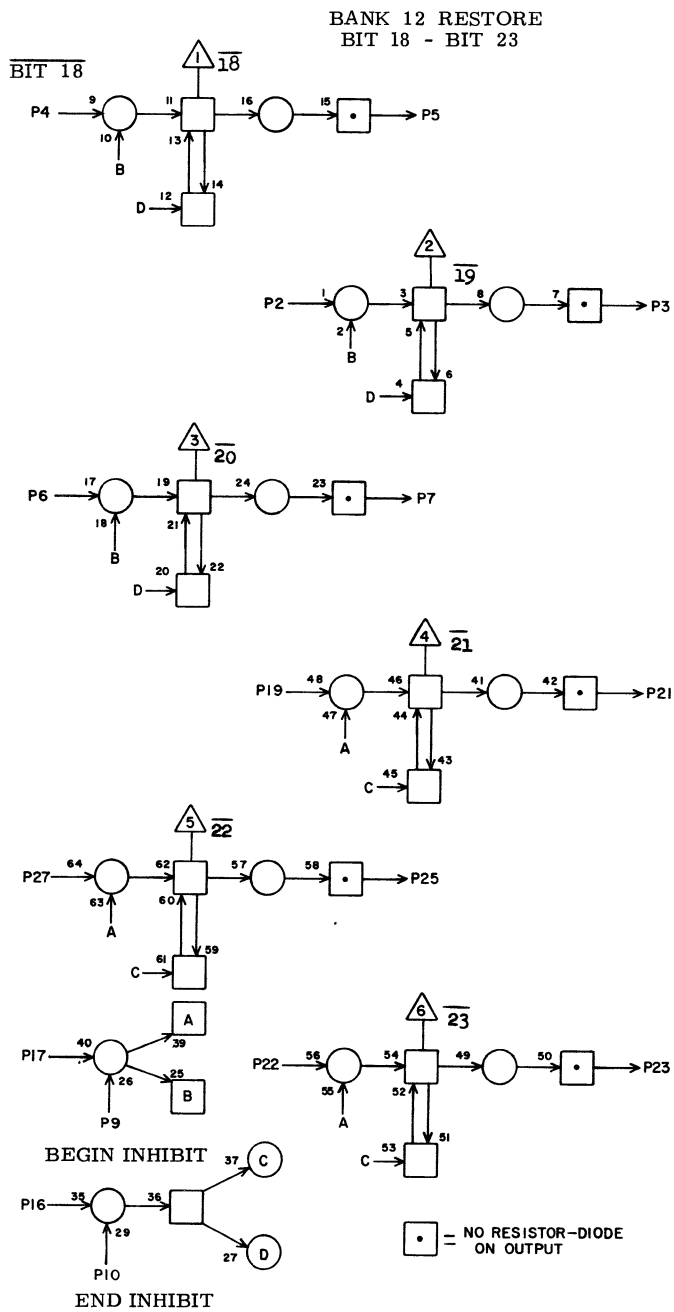


SPECIAL MODULE PZ 9 M10

1			
2	G 5	9	25
3	N16	5	13
4	G 5	5	25
5	N16	29	13
6	G 5	26	25
7	N10	6	9
8			
9	M20	10	13
10	M20	20	13
11			
12			
13			
14			
15			
16	M21	21	13
17	M21	4	13
18			
19	G 5	21	25
20			
21	N10	26	11
22	G 6	9	27
23	N16	1	11
24			
25	N16	27	13
26			
27	G 6	5	27
28			

JACK PIN LG

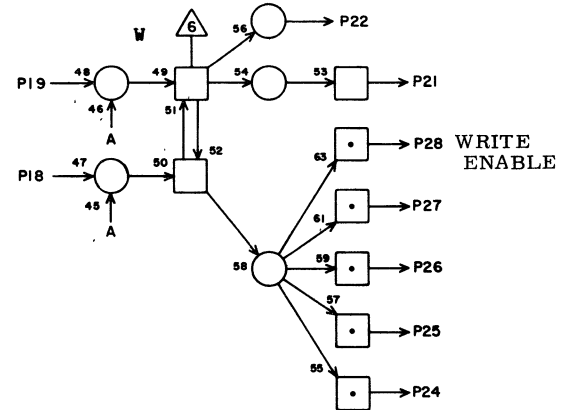
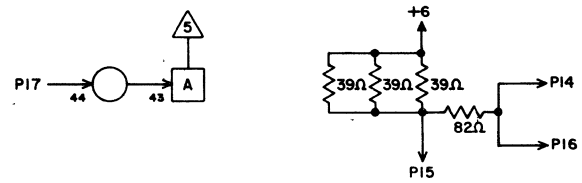
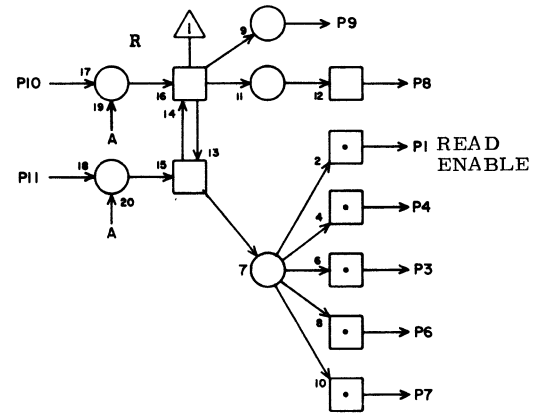
63017100 Rev. D



SPECIAL MODULE P2 9 M11

1			
2	G 6	21	25
3	N10	4	9
4	G 6	26	25
5	N10	28	11
6	G 7	5	27
7	N16	3	11
8			
9	M20	12	11
10	M20	22	11
11			
12			
13			
14			
15			
16	M21	22	13
17	M21	6	13
18			
19	G 7	9	27
20			
21	N16	25	11
22	G 7	21	25
23	N10	2	7
24			
25	N10	30	11
26			
27	G 7	26	27
28			
	JACK	PIN	LG

BANK 12
STORAGE SEQUENCE CONTROL



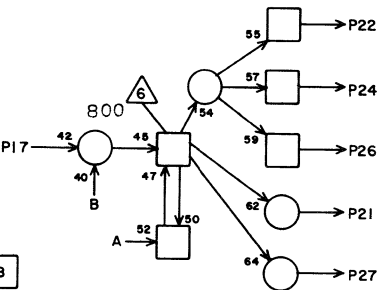
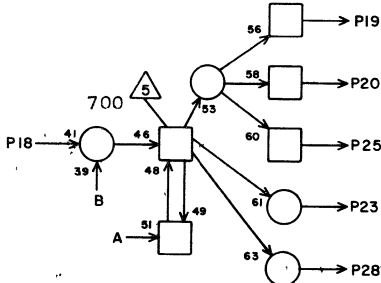
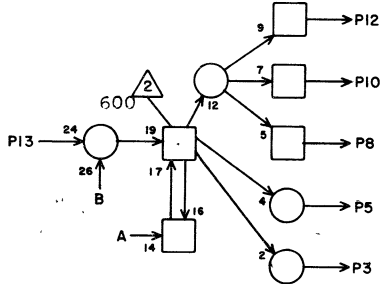
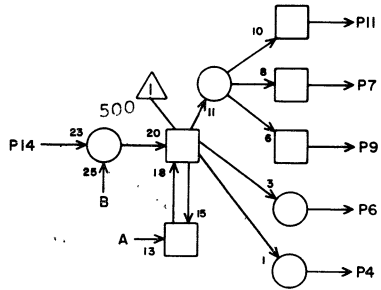
□ = NO RESISTOR-DIODE ON OUTPUT

SPECIAL MODULE PU 9 M14

1	N 8	23	29
2			
3	N16	23	29
4	N25	23	29
5			
6	N33	23	29
7	N42	23	29
8	F13	16	39
9	G29	21	29
10	G39	6	39
11	M06	26	120
12			
13			
14	F14	16	27
15	M 1	26	15
16	P14	14	13
17	GND	X	2 ⁰
18	M17	6	7
19	F13	17	180
20			
21	M17	13	7
22	G29	23	31
23			
24	N 8	21	11
25	N16	21	9
26	N25	21	15
27	N33	21	21
28	N42	21	29

JACK PIN LG

BANK 12
STORAGE SEQUENCE CONTROL



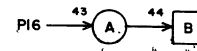
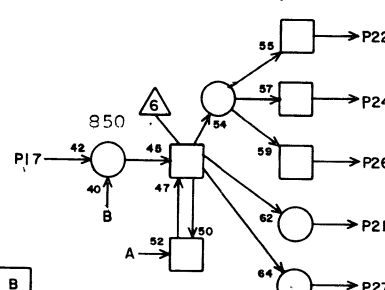
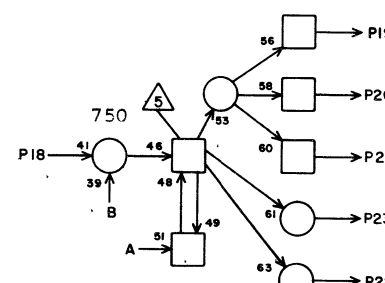
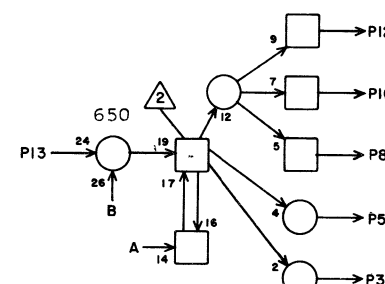
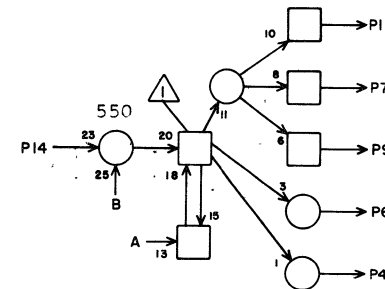
PD 9 M 15

1			
2			
3			
4			
5			
6			
7			
8	M16	13	3
9			
10			
11	M16	14	3
12			
13	M16	7	3
14	F13	15	39
15			
16	G21	22	25
17	M16	20	3
18	M16	8	3
19			
20	M16	18	3
21			
22	M16	17	3
23			
24			
25			
26			
27			
28			

JACK PIN LG

63017100 Rev. R

BANK 12
STORAGE SEQUENCE CONTROL



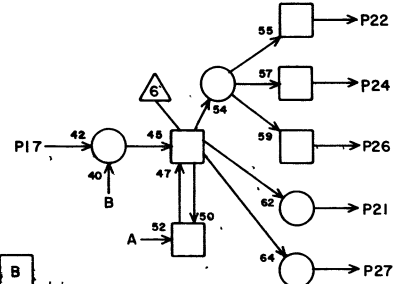
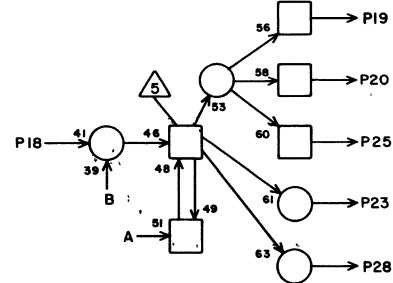
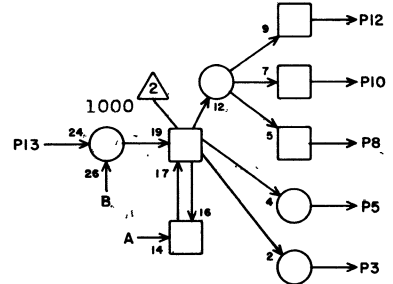
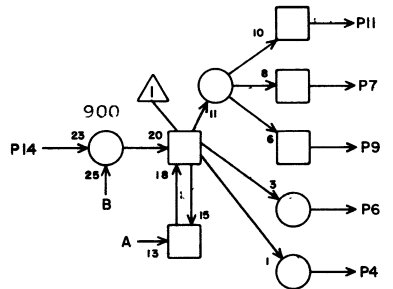
PD 9 M 16

1			
2			
3			
4			
5			
6			
7	M15	13	3
8	M15	18	3
9	M19	3	7
10	M18	1	5
11			
12			
13	M15	8	3
14	M15	11	3
15			
16	M21	18	7
17	M15	22	3
18	M15	20	3
19			
20	M15	17	3
21	M19	2	7
22	M17	14	3
23	G29	25	29
24	M19	1	7
25			
26	M14	11	120
27			
28	M18	3	7

JACK PIN LG

63017100 Rev. U

BANK 12
STORAGE SEQUENCE CONTROL



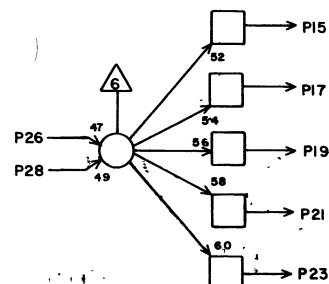
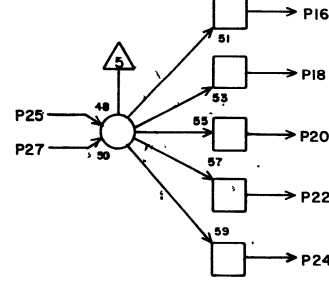
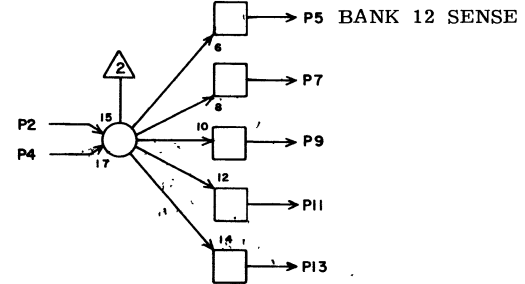
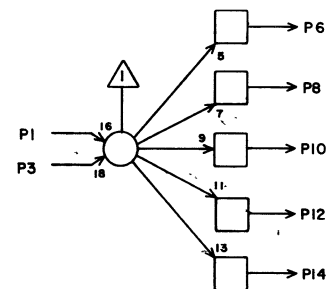
PD 9 M 17

1			
2			
3			
4			
5			
6	M14	18	7
7	F13	18	108
8			
9			
10			
11			
12			
13	M14	21	7
14	M16	22	3
15			
16	G21	21	25
17			
18			
19			
20			
21			
22			
23			
24			
25			
26			
27			
28			

JACK PIN LG

63017100 Rev. M

BANK 12
STORAGE SEQUENCE CONTROL



TD 9 M18

1	M16	10	5
2	M18	6	3
3	M16	28	7
4	M18	X	2
5	M 1	27	19
6	M18	2	3
7	M 2	27	17
8	M18	25	3
9	M 3	27	17
10	M18	26	3
11	M 7	27	13
12	G24	13	27
13	M 8	27	18
14			
15	M33	27	17
16	M 9	27	11
17	M34	27	17
18	M26	27	11
19	M38	27	19
20	M27	27	13
21	M39	27	23
22	M28	27	13
23	M40	27	23
24	M32	27	15
25	M18	8	3
26	M18	10	3
27	M18	X	2
28	M18	X	2

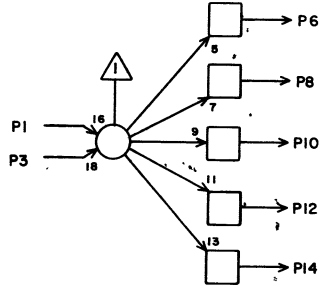
JACK PIN LG

63017100 Rev. M

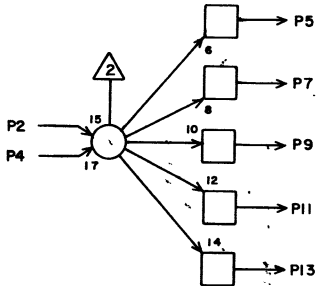
BANK 12
STORAGE SEQUENCE CONTROL

T D

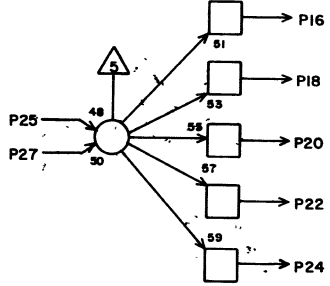
9 M19



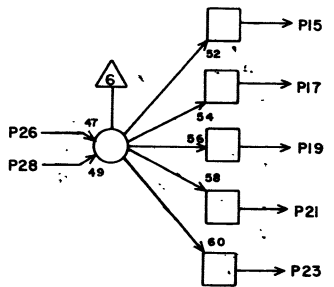
BEGIN INHIBIT
BANK 12



END INHIBIT
BANK 12



END INHIBIT
BANK 12



1	M16	24	7
2	M16	21	7
3	M16	9	7
4	M19	X	2
5	M20	25	5
6	M20	3	3
7	M20	26	3
8	M20	2	3
9			
10			
11			
12			
13			
14			
15			
16			
17			
18			
19			
20			
21			
22			
23			
24			
25			
26			
27			
28			

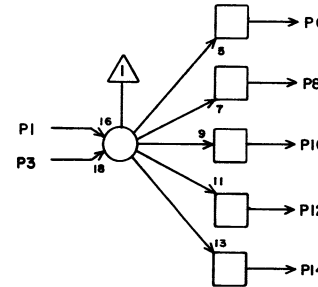
JACK PIN LG

63017100 Rev. D

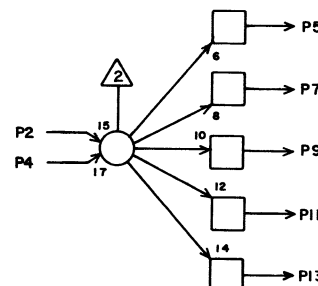
BANK 12
STORAGE SEQUENCE CONTROL

T D

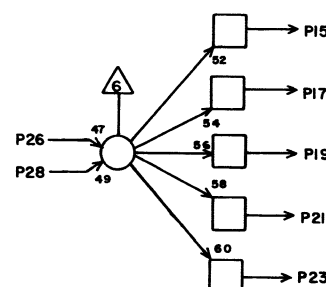
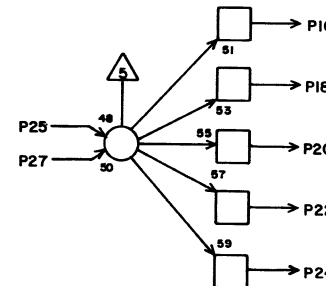
9 M20



BEGIN INHIBIT
BANK 12



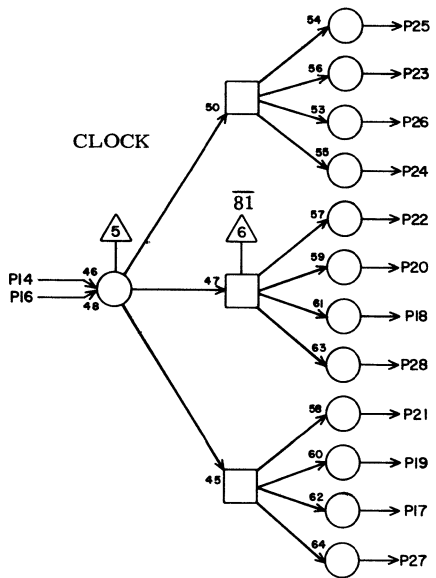
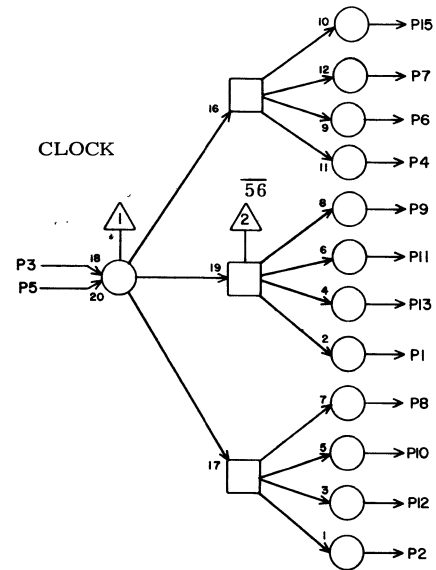
END INHIBIT
BANK 12



1	M20	X	2
2	M19	8	3
3	M19	6	3
4	M20	X	2
5	M30	9	13
6	M 4	9	17
7	M35	9	15
8	M 5	9	15
9	M36	9	17
10	M10	9	13
11	M41	9	23
12	M11	9	11
13	M42	9	23
14	M29	9	13
15	M30	10	13
16	M 4	10	17
17	M35	10	17
18	M 5	10	17
19	M36	10	17
20	M10	10	13
21	M41	10	21
22	M11	10	11
23	M42	10	23
24	M29	10	13
25	M19	5	5
26	M19	7	3
27	M20	X	2
28	M20	X	2

JACK PIN LG

63017100 Rev. D



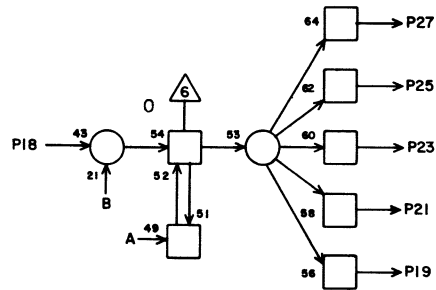
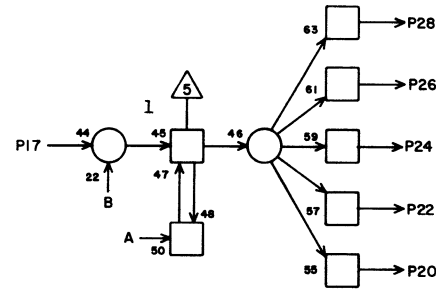
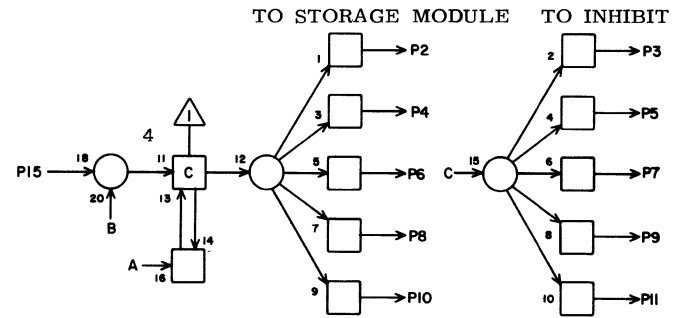
TC 9 M21

1	M 4	17	19
2	M 5	17	17
3	G32	28	37
4	M10	17	13
5	M21	X	2
6	M11	17	13
7	M29	17	9
8	M30	17	13
9	M35	17	15
10	M36	17	17
11	M41	17	21
12	M42	17	23
13	P22	14	15
14	G32	25	39
15	P23	14	15
16	M21	X	2
17			
18	M16	16	7
19	M 4	16	19
20	M 5	16	17
21	M10	16	13
22	M11	16	13
23	M29	16	11
24	M30	16	13
25	M35	16	15
26	M36	16	17
27	M41	16	21
28	M42	16	23

JACK PIN LG

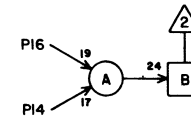
63017100 Rev. N

BANK 12
ADDRESS BITS 0, 1, 4



12 FREE

CLOCK



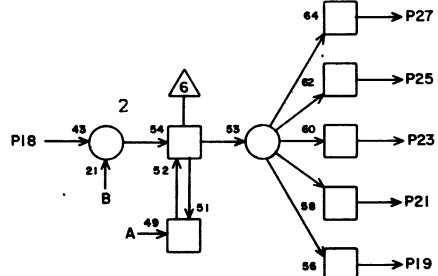
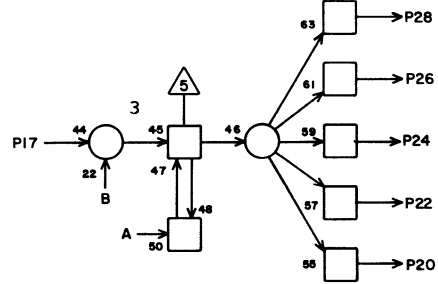
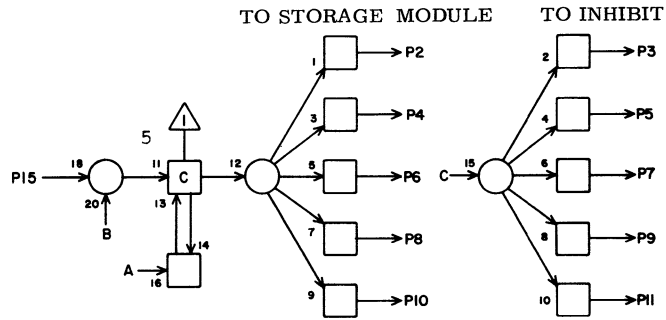
SA 9 M 22

1			
2	N 8	7	17
3	N 8	15	17
4	N16	7	11
5	N16	15	13
6	N25	7	11
7	N25	15	11
8	N33	7	15
9	N33	15	15
10	N42	7	23
11	N42	15	23
12			
13			
14	G21	11	25
15	G41	5	31
16	G26	16	25
17	G40	9	31
18	G40	5	31
19	N 1	22	23
20	N 1	20	23
21	N10	22	17
22	N10	20	15
23	N18	22	11
24	N18	20	11
25	N26	22	11
26	N26	20	11
27	N35	22	15
28	N35	20	17

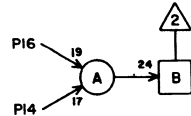
JACK PIN LG

63017100 Rev. D

BANK 12
ADDRESS BITS 2, 3, 5



12 FREE
CLOCK

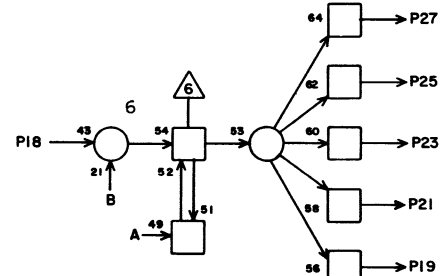
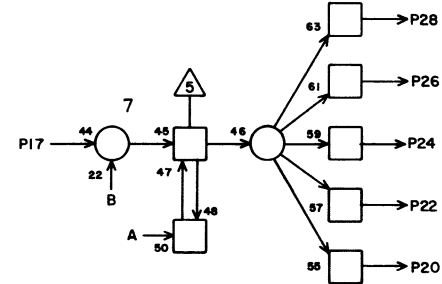
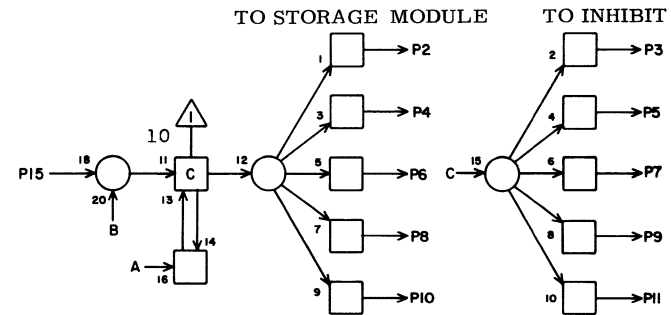


SA 9 M 23

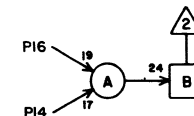
1			
2	N 8	9	17
3	N 8	17	19
4	N16	9	13
5	N16	17	13
6	N25	9	11
7	N25	17	11
8	N33	9	15
9	N33	17	15
10	N42	9	21
11	N42	17	21
12			
13			
14	G21	12	27
15	G41	9	31
16	G26	18	25
17	G40	22	29
18	G40	26	29
19	N 1	8	23
20	N 1	10	23
21	N10	8	17
22	N10	10	17
23	N18	8	11
24	N18	10	11
25	N26	8	9
26	N26	10	9
27	N35	8	15
28	N35	10	15
	JACK	PIN	LG

63017100 Rev. D

BANK 12
ADDRESS BITS 6, 7, 10



12 FREE
CLOCK

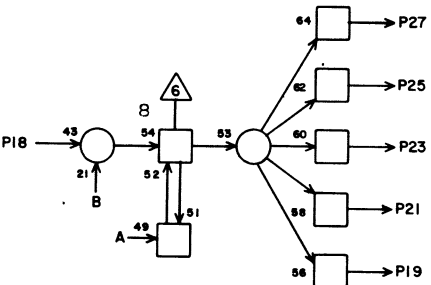
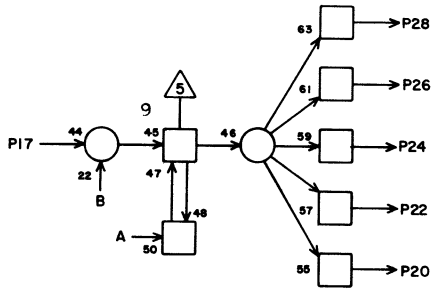
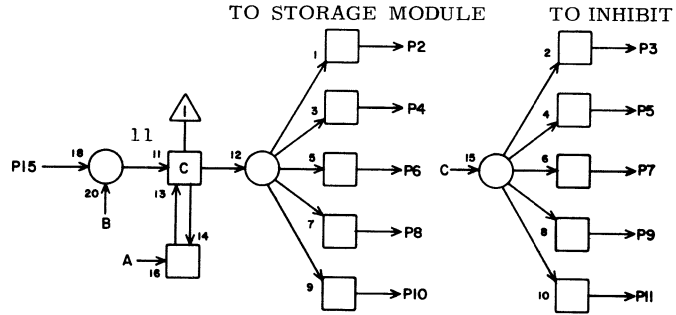


SA 9 M 24

1			
2	N 1	18	25
3	N 8	19	19
4	N10	18	17
5	N16	19	13
6	N18	18	13
7	N25	19	11
8	N26	18	11
9	N33	19	15
10	N35	19	15
11	N42	19	21
12			
13			
14	G21	13	27
15	G42	26	29
16	G26	20	25
17	G41	22	29
18	G41	26	29
19	N 8	13	19
20	N 8	11	17
21	N16	13	13
22	N16	11	13
23	N25	13	9
24	N25	11	9
25	N33	13	13
26	N33	11	13
27	N42	13	19
28	N42	11	19
	JACK	PIN	LG

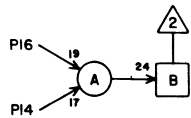
63017100 Rev. D

BANK 12
ADDRESS BITS 8, 9, 11



12 FREE

CLOCK



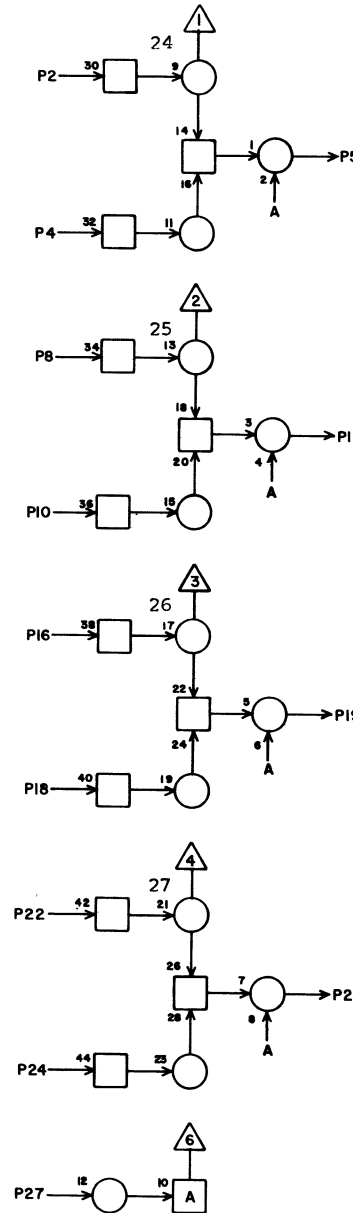
SA 9M 25

1			
2	N 1	16	25
3	N 1	24	25
4	N10	16	19
5	N10	24	19
6	N18	16	13
7	N18	24	13
8	N26	16	11
9	N26	24	11
10	N35	16	15
11	N35	24	15
12			
13			
14	G21	15	25
15	G42	22	29
16	G26	22	25
17	G42	9	31
18	G42	5	31
19	N 1	12	25
20	N 1	14	25
21	N10	12	19
22	N10	14	17
23	N18	12	13
24	N18	14	11
25	N26	12	7
26	N26	14	7
27	N35	12	13
28	N35	14	13

JACK PIN LG

63017100 Rev. D

BANK 12 SENSE



SENSE

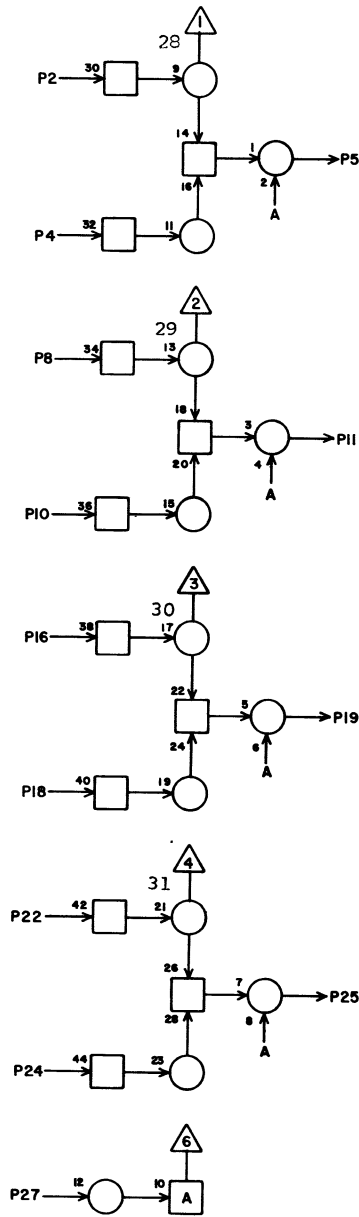
PS 9M26

1			
2	N18	1	13
3			
4	N18	3	13
5	H29	14	21
6			
7			
8	N18	27	15
9			
10	N18	29	15
11	H29	12	23
12			
13			
14			
15			
16	N25	28	11
17			
18	N25	30	11
19	H29	26	21
20			
21			
22	N25	2	7
23			
24	N25	4	7
25	H30	14	23
26	M 9	28	19
27	M18	18	11
28	M27	26	3

JACK PIN LG

63017100 Rev. D

BANK 12 SENSE



PS

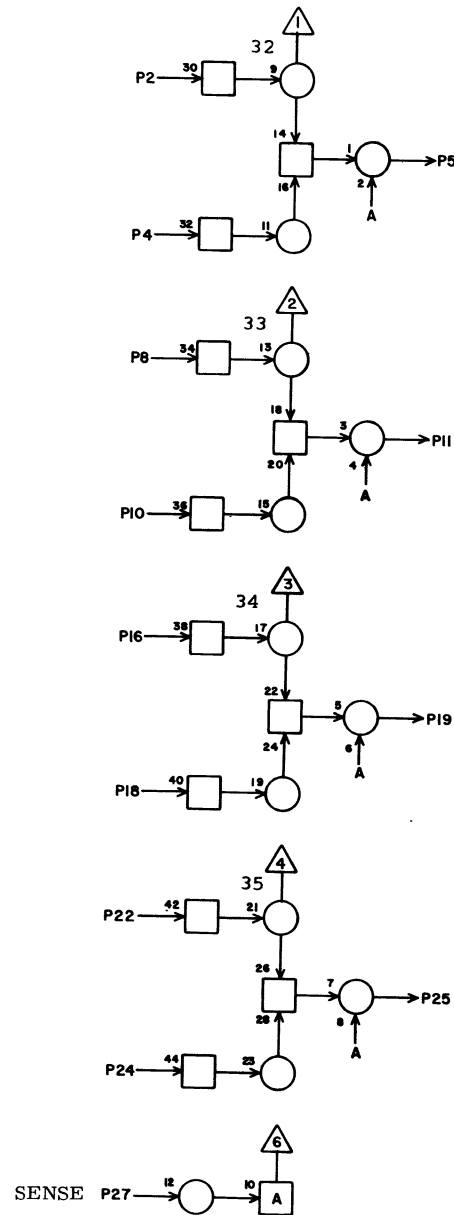
9 M 27

1			
2	N18	5	13
3			
4	N18	7	13
5	H30	17	21
6			
7			
8	N18	23	15
9			
10	N18	25	15
11	H30	26	21
12			
13			
14			
15			
16	N25	6	9
17			
18	N25	8	9
19	H31	14	23
20			
21			
22	N25	24	9
23			
24	N25	26	9
25	H31	12	23
26	M26	28	3
27	M18	20	13
28	M28	26	3

JACK PIN LG

63017100 Rev. D

BANK 12 SENSE



PS

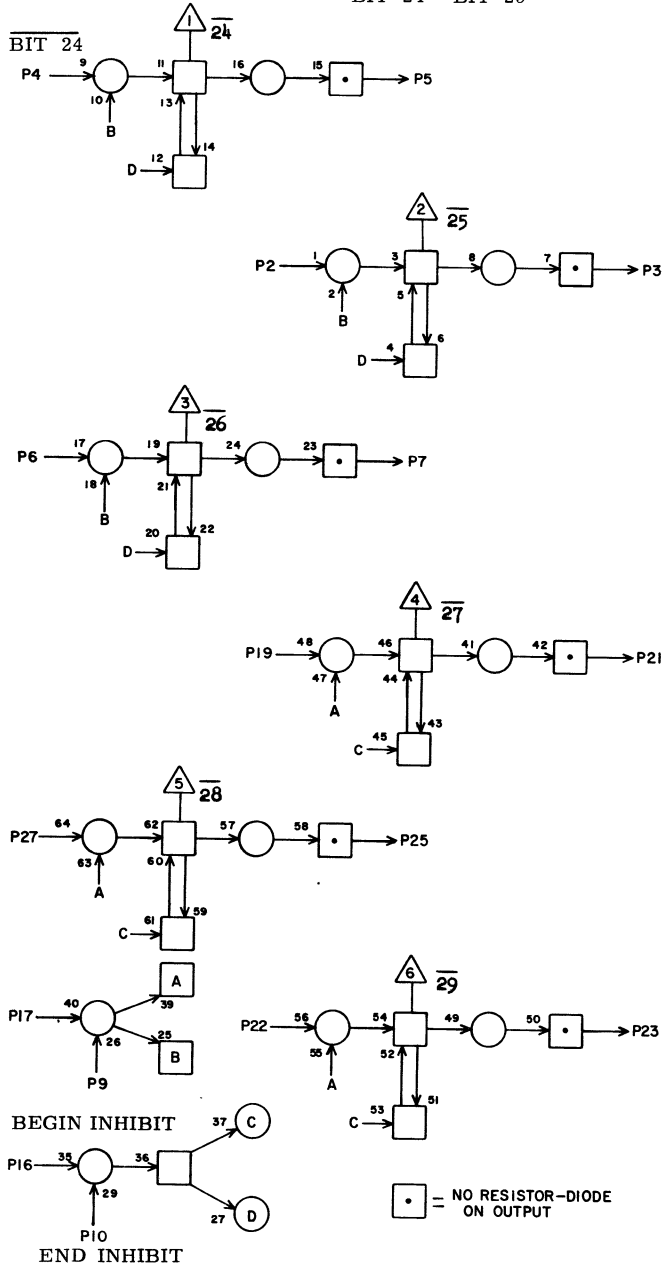
9 M 28

1			
2	N18	19	15
3			
4	N18	21	15
5	H31	26	21
6			
7			
8	N18	9	15
9			
10	N18	11	15
11	H32	14	23
12			
13			
14			
15			
16	N25	10	9
17			
18	N25	12	9
19	H32	12	23
20			
21			
22	N25	20	9
23			
24	N25	22	9
25	H32	26	23
26	M27	28	3
27	M18	22	13
28	M32	26	7

JACK PIN LG

63017100 Rev. D

BANK 12 RESTORE
BIT 24 - BIT 29

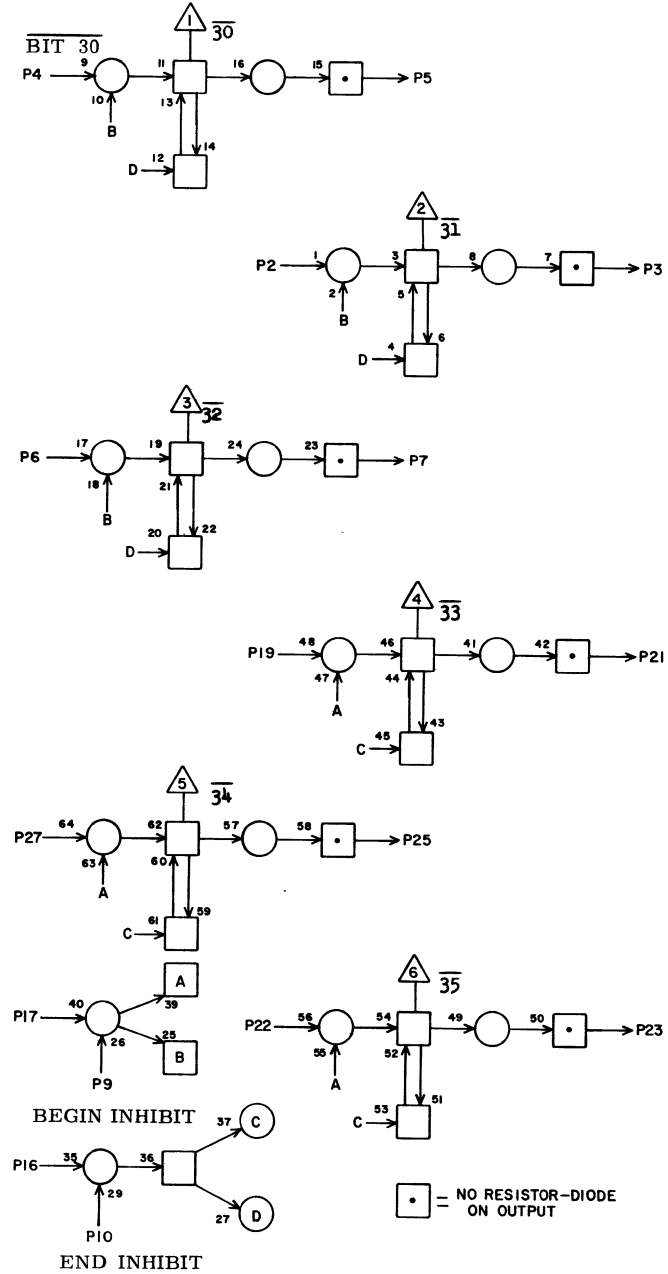


SPECIAL MODULE PZ 9 M29

1			
2	G 9	9	31
3	N25	5	11
4	G 9	5	31
5	N25	29	13
6	G 9	26	31
7	N18	6	15
8			
9	M20	14	13
10	M20	24	13
11			
12			
13			
14			
15			
16	M21	23	11
17	M21	7	9
18			
19	G 9	21	35
20			
21	N18	26	15
22	G10	9	31
23	N25	1	9
24			
25	N25	27	11
26			
27	G10	5	33
28			

JACK PIN LG

BANK 12 RESTORE
BIT 30 - BIT 35

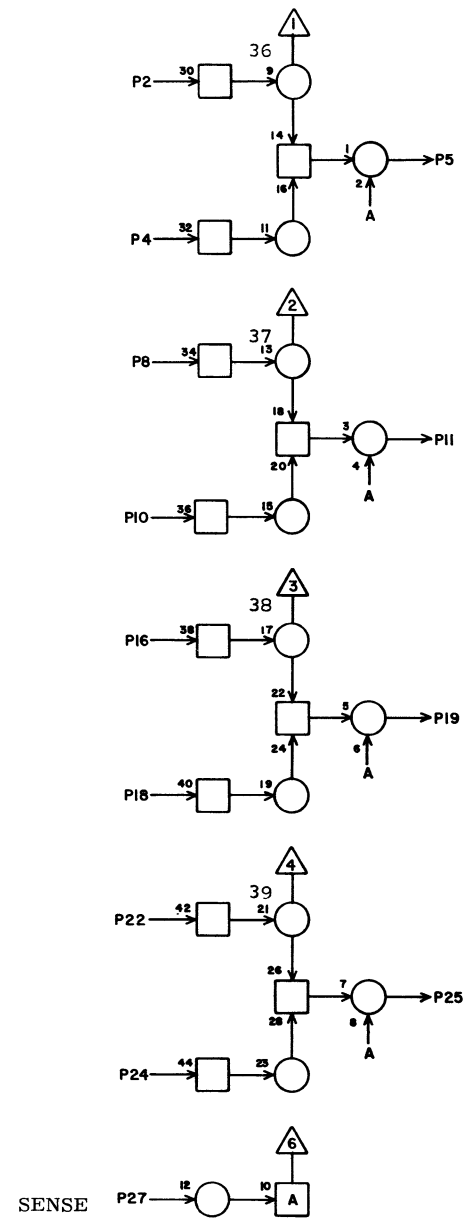


SPECIAL MODULE PZ 9 M30

1			
2	G10	21	29
3	N18	4	17
4	G10	26	31
5	N18	28	17
6	G11	5	31
7	N25	3	11
8			
9	M20	5	13
10	M20	15	13
11			
12			
13			
14			
15			
16	M21	24	13
17	M21	8	13
18			
19	G11	9	31
20			
21	N25	25	11
22	G11	21	31
23	N18	2	15
24			
25	N18	30	17
26			
27	G11	26	31
28			

JACK PIN LG

BANK 12 SENSE

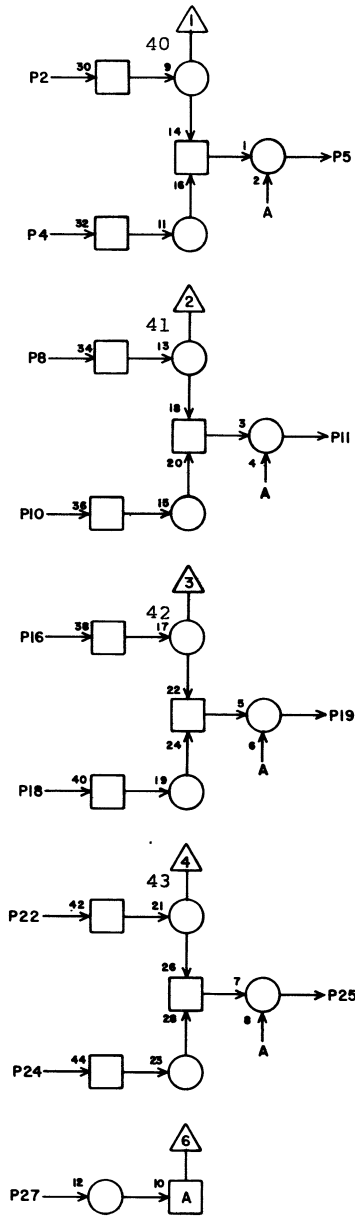


PS 9M32

1			
2	N26	1	11
3			
4	N26	3	11
5	H34	14	21
6			
7			
8	N26	27	13
9			
10	N26	29	13
11	H34	12	23
12			
13			
14			
15			
16	N33	28	11
17			
18	N33	30	11
19	H34	26	23
20			
21			
22	N33	2	7
23			
24	N33	4	7
25	H35	14	23
26	M28	28	7
27	M18	24	15
28	M33	26	3

JACK PIN LG

BANK 12 SENSE



SENSE P27

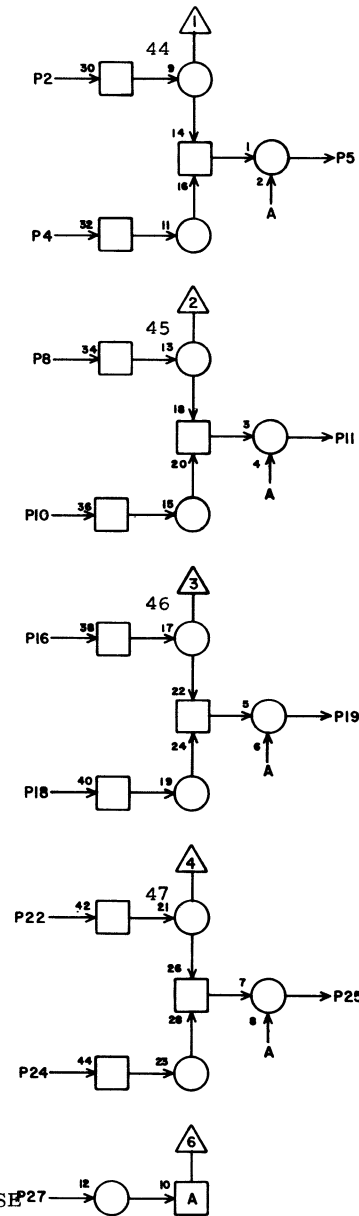
PS 9 M 33

1			
2	N26	5	13
3			
4	N26	7	13
5	H35	12	21
6			
7			
8	N26	23	13
9			
10	N26	25	13
11	H35	26	21
12			
13			
14			
15			
16	N33	6	9
17			
18	N33	8	9
19	H36	14	23
20			
21			
22	N33	24	9
23			
24	N33	26	9
25	H36	12	23
26	M32	28	3
27	M18	15	17
28	M34	26	3

JACK PIN LG

63017100 Rev. D

BANK 12 SENSE



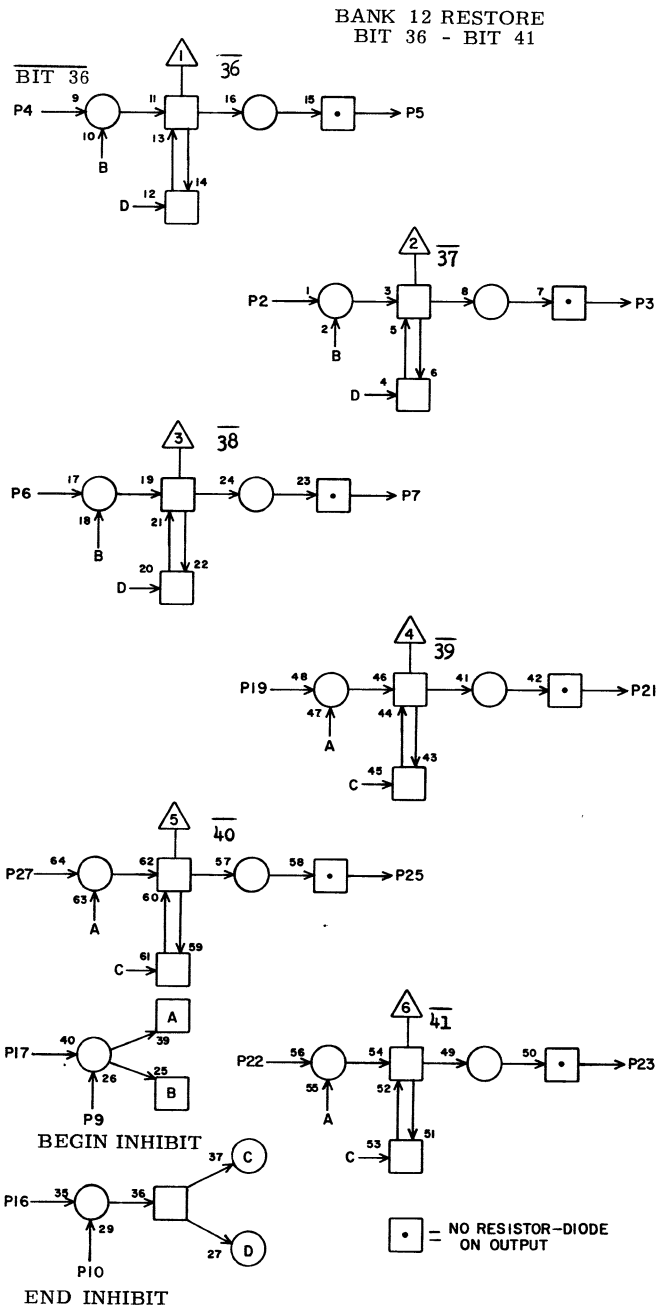
SENSE P27

PS 9 M 34

1			
2	N26	19	13
3			
4	N26	21	13
5	H36	26	21
6			
7			
8	N26	9	13
9			
10	N26	11	13
11	H37	14	23
12			
13			
14			
15			
16	N33	10	9
17			
18	N33	12	9
19	H37	12	23
20			
21			
22	N33	20	9
23			
24	N33	22	9
25	H37	26	23
26	M33	28	3
27	M18	17	17
28	M34	26	7

JACK PIN LG

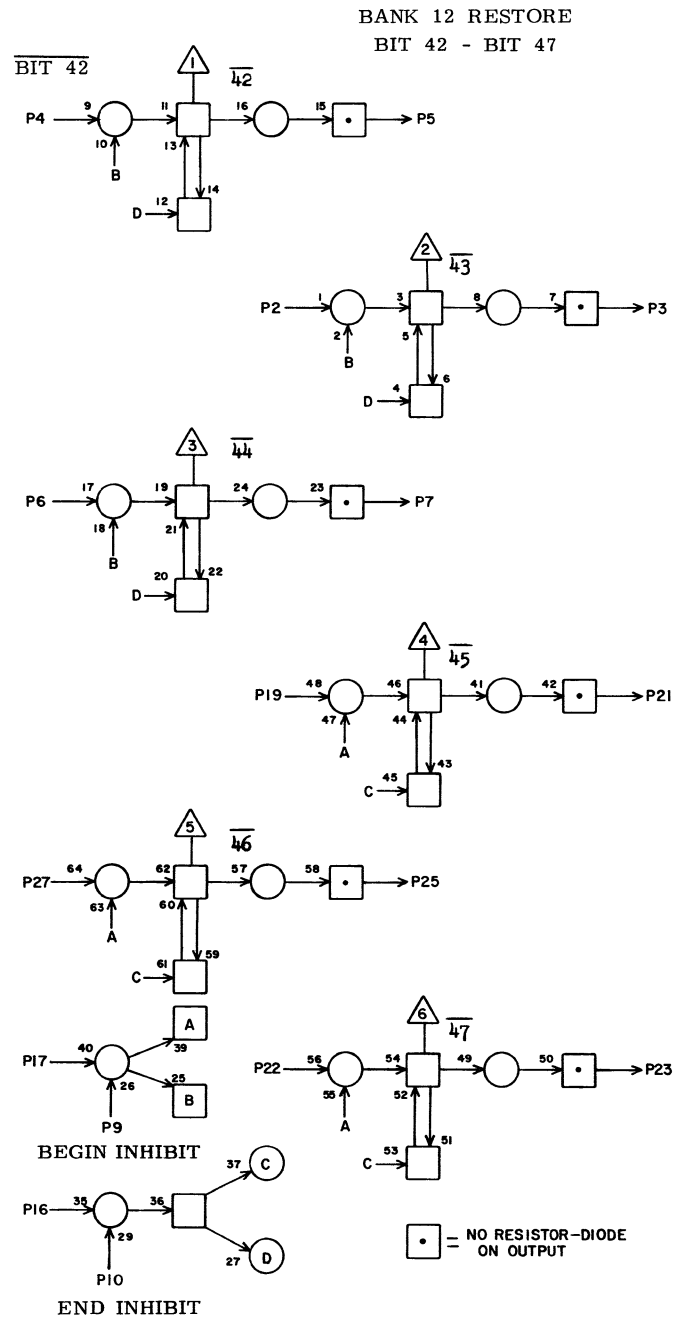
63017100 Rev. D



SPECIAL MODULE P2 9 M35

JACK	PIN	LG
1		
2	G13	9 31
3	N33	5 3
4	G13	5 33
5	N33	29 11
6	G13	26 31
7	N26	6 13
8		
9	M20	7 15
10	M20	17 17
11		
12		
13		
14		
15		
16	M21	25 15
17	M21	9 15
18		
19	G13	21 33
20		
21	N26	26 13
22	G14	9 33
23	N33	1 7
24		
25	N33	27 9
26		
27	G14	5 33
28		

63017100 Rev. D

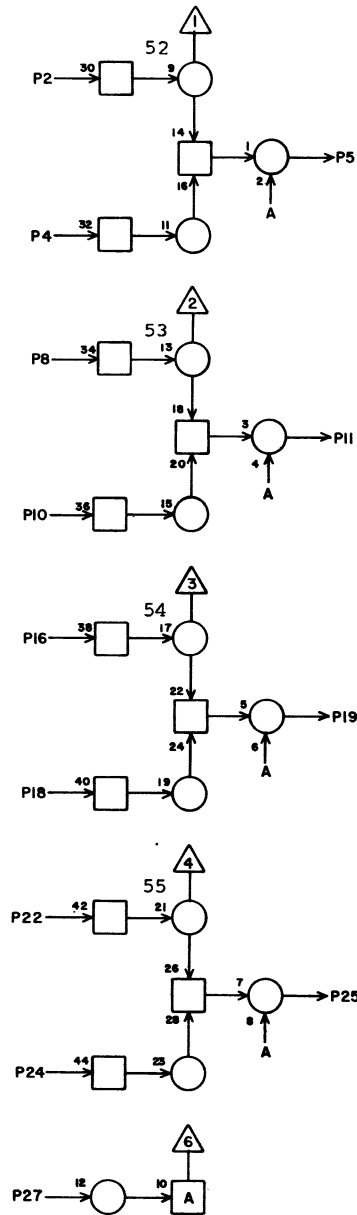


SPECIAL MODULE P2 9 M36

JACK	PIN	LG
1		
2	G14	21 31
3	N26	4 15
4	G14	26 31
5	N26	28 15
6	G15	5 31
7	N33	3 9
8		
9	M20	9 17
10	M20	19 17
11		
12		
13		
14		
15		
16	M21	26 17
17	M21	10 17
18		
19	G15	9 33
20		
21	N33	25 11
22	G15	21 31
23	N26	2 13
24		
25	N26	30 15
26		
27	G15	26 33
28		

63017100 Rev. D

BANK 12 SENSE



SENSE

PS

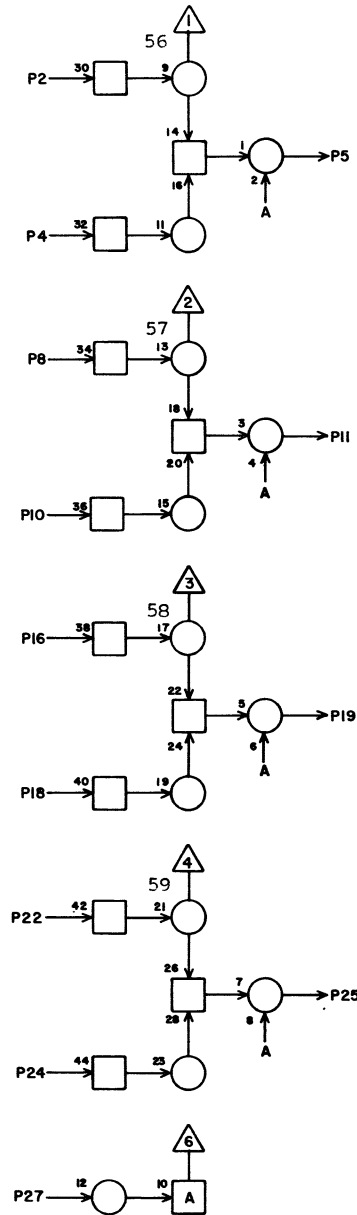
9M 39

1			
2	N35	5	11
3			
4	N35	7	11
5	H40	12	21
6			
7			
8	N35	23	11
9			
10	N35	25	11
11	H40	26	21
12			
13			
14			
15			
16	N42	6	9
17			
18	N42	8	9
19	H41	14	23
20			
21			
22	N42	24	11
23			
24	N42	26	11
25	H41	12	23
26	M38	28	3
27	M18	21	23
28	M40	26	3

JACK PIN LG

63017100 Rev. D

BANK 12 SENSE



SENSE

PS

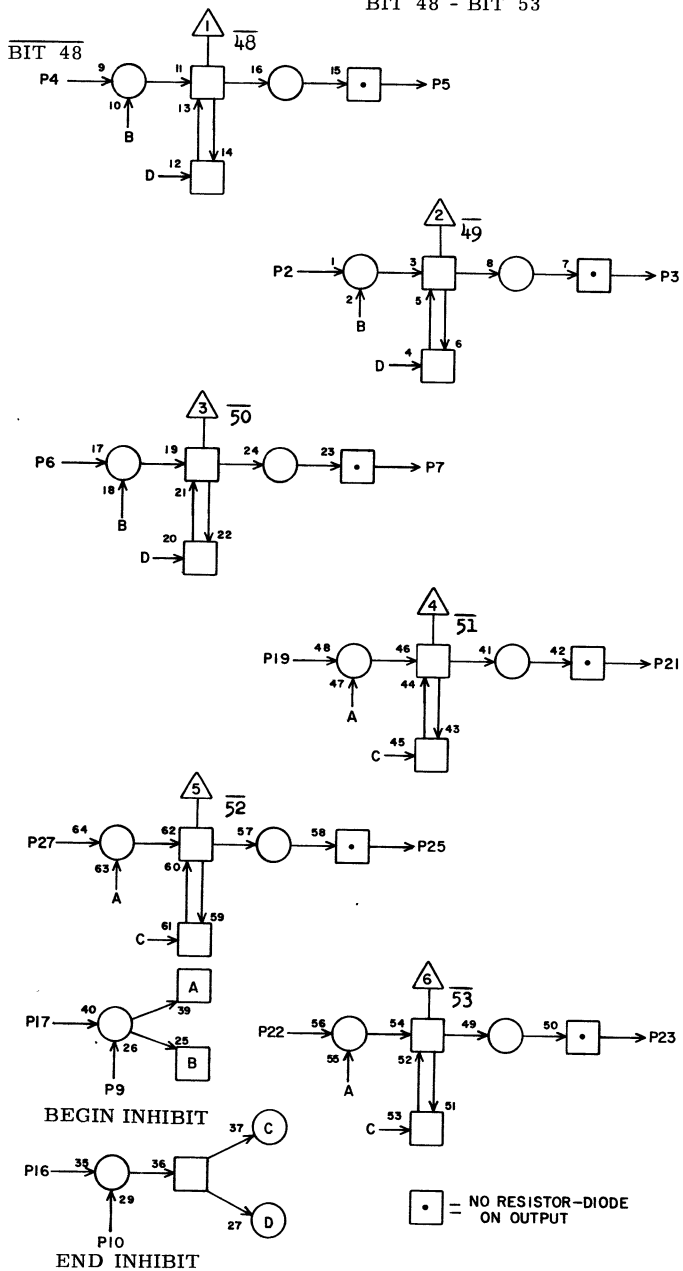
9M 40

1			
2	N35	19	13
3			
4	N35	21	13
5	H41	26	21
6			
7			
8	N35	9	11
9			
10	N35	11	11
11	H42	14	23
12			
13			
14			
15			
16	N42	10	7
17			
18	N42	12	7
19	H42	12	23
20			
21			
22	N42	20	9
23			
24	N42	22	9
25	H42	26	23
26	M39	28	3
27	M18	23	23
28			

JACK PIN LG

63017100 Rev. D

BANK 12 RESTORE
BIT 48 - BIT 53



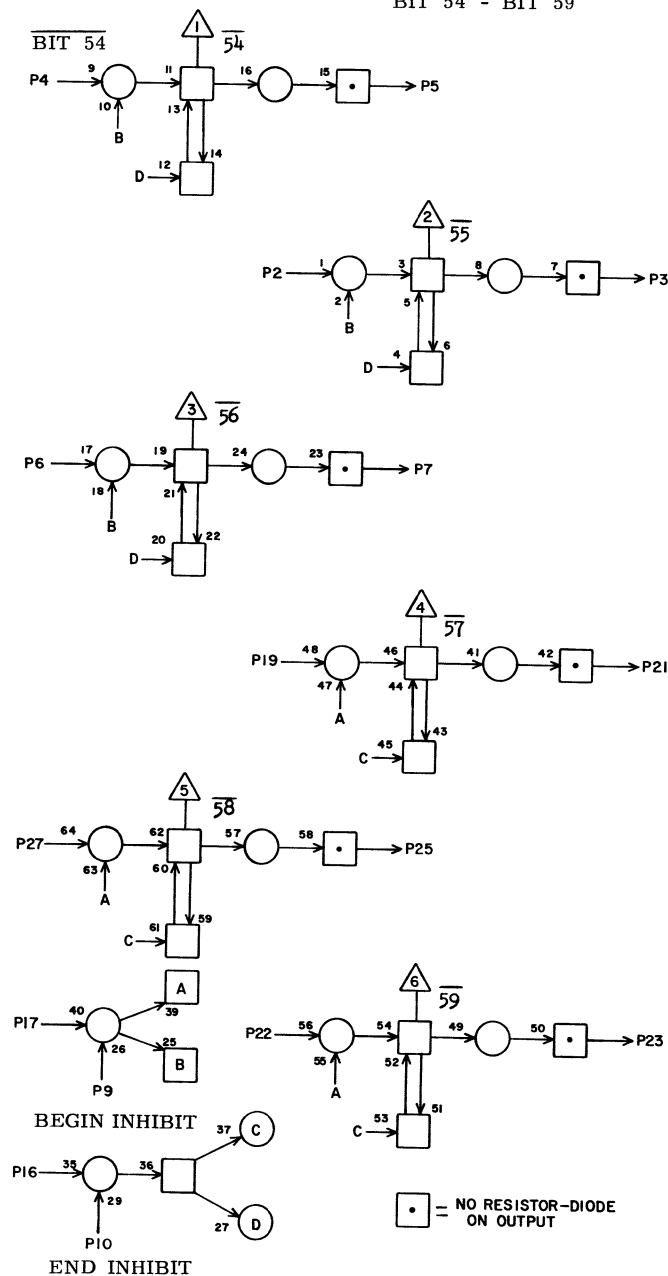
SPECIAL MODULE PZ 9 M41

1			
2	G17	9	33
3	N42	5	9
4	G17	5	33
5	N42	29	11
6	G17	26	33
7	N35	6	13
8			
9	M20	11	23
10	M20	21	21
11			
12			
13			
14			
15			
16	M21	27	21
17	M21	11	21
18			
19	G17	21	33
20			
21	N35	26	13
22	G18	9	33
23	N42	1	7
24			
25	N42	27	9
26			
27	G18	5	33
28			

JACK PIN LG

63017100 Rev. D

BANK 12 RESTORE
BIT 54 - BIT 59



SPECIAL MODULE PZ 9 M42

1			
2	G18	21	31
3	N35	4	13
4	G18	26	33
5	N35	28	15
6	G19	5	33
7	N42	3	9
8			
9	M20	13	23
10	M20	23	23
11			
12			
13			
14			
15			
16	M21	28	23
17	M21	12	23
18			
19	G19	9	3
20			
21	N42	25	9
22	G19	21	33
23	N35	2	13
24			
25	N25	30	13
26			
27	G19	26	33
28			

JACK PIN LG

63017100 Rev. D

**STORAGE
MODULE**

9 N 1

1	M 1	2	9
2	M 5	23	9
3	M 1	4	9
4	M 5	3	11
5	M 2	2	9
6	M 4	7	11
7	M 2	4	9
8	M23	19	23
9	M 3	8	9
10	M23	20	23
11	M 3	10	9
12	M25	19	25
13			
14	M25	20	25
15	N1	X	2
16	M25	2	25
17			
18	M24	2	25
19	M 3	2	11
20	M22	20	23
21	M 3	4	11
22	M22	19	23
23	M 2	8	11
24	M25	3	25
25	M 2	10	11
26	M 4	21	11
27	M 1	8	11
28	M 5	5	13
29	M 1	10	11
30	M 5	25	11

JACK PIN LG

FUNCTION	PIN
Address	
S ⁰	22
S ¹	20
S ²	8
S ³	10
S ⁴	12
S ⁵	14
S ⁶	18
S ⁷	16
Store	
Z ²	6
Z ³	26
Z ⁶	28
Z ⁷	4
Z ¹⁰	30
Z ¹¹	2
Read	
Z ⁰	1
Z ³	3
Z ¹	27
Z ¹	29
Z ⁴	5
Z ⁴	7
Z ⁵	23
Z ⁵	25
Z ⁸	19
Z ⁸	21
Z ⁹	9
Z ⁹	11
Inhibit	
S ¹¹	24
Power	
+5 To Inhibit	13
+5 To Inhibit	17
Ground	15

FUNCTION	PIN
Address	
S ⁴	7
S ⁵	9
S ⁶	13
S ⁷	11
Store	
Z ⁰	29
Z ¹	5
Z ⁴	27
Z ⁵	1
Z ⁸	3
Z ⁹	25
Read	
Z ²	28
Z ²	30
Z ³	2
Z ³	4
Z ⁶	6
Z ⁶	8
Z ⁷	24
Z ⁷	26
Z ¹⁰	10
Z ¹⁰	12
Z ¹¹	20
Z ¹¹	22
Inhibit	
S ⁴	15
S ⁵	17
S ¹⁰	19
Control	
Read Enable	23
Write Enable	21
Power	
+8 To Drive	18
+6 To Drive	14
Ground	16

9 N 8

1	M 4	23	9
2	M 1	22	11
3	M 5	7	9
4	M 1	24	11
5	M 4	3	11
6	M 2	16	11
7	M22	2	17
8	M 2	18	11
9	M23	2	17
10	M 3	16	11
11	M24	20	17
12	M 3	18	11
13	M24	19	19
14	+6 Bus		
15	M22	3	17
16	N8	X	2
17	M23	3	19
18			
19	M24	3	19
20	M 3	22	11
21	M14	24	11
22	M 3	24	11
23	M14	1	29
24	M 2	22	13
25	M 5	21	11
26	M 2	24	13
27	M 4	25	11
28	M 1	16	13
29	M 4	5	11
30	M 1	18	13

JACK PIN LG

**STORAGE
MODULE**

9 N10

1	M 7	2	9
2	M11	23	7
3	M 7	4	9
4	M11	3	9
5	M 8	2	9
6	M10	7	9
7	M 8	4	9
8	M23	21	17
9	M 9	8	9
10	M23	22	17
11	M 9	10	9
12	M25	21	19
13			
14	M25	22	17
15	N10	X	2
16	M25	4	19
17			
18	M24	4	17
19	M 9	2	13
20	M22	22	15
21	M 9	4	13
22	M22	21	17
23	M 8	8	11
24	M25	5	19
25	M 8	10	11
26	M10	21	11
27	M 7	8	11
28	M11	5	11
29	M 7	10	11
30	M11	25	11

JACK PIN LG

FUNCTION	PIN
Address	
S ⁰	22
S ¹	20
S ²	8
S ³	10
S ⁴	12
S ⁵	14
S ⁶	18
S ⁷	16
Store	
Z ²	6
Z ³	26
Z ⁶	28
Z ⁷	4
Z ¹⁰	30
Z ¹¹	2
Read	
Z ⁰	1
Z ³	3
Z ¹	27
Z ¹	29
Z ⁴	5
Z ⁴	7
Z ⁵	23
Z ⁵	25
Z ⁸	19
Z ⁸	21
Z ⁹	9
Z ⁹	11
Inhibit	
S ¹¹	24
Power	
+5 To Inhibit	13
+5 To Inhibit	17
Ground	15

FUNCTION	PIN
Address	
S ⁴	7
S ⁵	9
S ⁶	13
S ⁷	11
Store	
Z ⁰	29
Z ¹	5
Z ⁴	27
Z ⁵	1
Z ⁸	3
Z ⁹	25
Read	
Z ²	28
Z ²	30
Z ³	2
Z ³	4
Z ⁶	6
Z ⁶	8
Z ⁷	24
Z ⁷	26
Z ¹⁰	10
Z ¹⁰	12
Z ¹¹	20
Z ¹¹	22
Inhibit	
S ⁴	15
S ⁵	17
S ¹⁰	19
Control	
Read Enable	23
Write Enable	21
Power	
+8 To Drive	18
+6 To Drive	14
Ground	16

9 N16

1	M10	23	11
2	M 7	22	13
3	M11	7	11
4	M 7	24	13
5	M10	3	13
6	M 8	16	13
7	M22	4	11
8	M 8	18	13
9	M23	4	13
10	M 9	16	13
11	M24	22	13
12	M 9	18	13
13	M24	21	13
14	+6 Bus		
15	M22	5	13
16	N16	X	2
17	M23	5	13
18			
19	M24	5	13
20	M 9	22	13
21	M14	25	9
22	M 9	24	13
23	M14	3	29
24	M 8	22	13
25	M11	21	11
26	M 8	24	13
27	M10	25	13
28	M 7	16	15
29	M10	5	13
30	M 7	18	13

JACK PIN LG

STORAGE MODULE

9 N18

1	M26	2	13
2	M30	23	15
3	M26	4	13
4	M30	3	17
5	M27	2	13
6	M29	7	15
7	M27	4	13
8	M23	23	11
9	M28	8	15
10	M23	24	11
11	M28	10	15
12	M25	23	13
13			
14	M25	24	11
15	N18	X	2
16	M25	6	13
17			
18	M24	6	13
19	M28	2	15
20	M22	24	11
21	M28	4	15
22	M22	23	11
23	M27	8	15
24	M25	7	13
25	M27	10	15
26	M29	21	15
27	M26	8	15
28	M30	5	17
29	M26	10	15
30	M30	25	17

JACK PIN LG

FUNCTION	PIN
Address	
S ⁰	22
S ¹	20
S ²	8
S ³	10
S ⁶	12
S ⁹	14
S ¹⁰	16
S ¹¹	24
Store	
Z ²	6
Z ³	26
Z ⁶	28
Z ⁷	4
Z ¹⁰	30
Z ¹¹	2
Read	
Z ⁰	1
Z ⁰	3
Z ¹	27
Z ¹	29
Z ⁴	5
Z ⁴	7
Z ⁵	23
Z ⁵	25
Z ⁸	19
Z ⁸	21
Z ⁹	9
Z ⁹	11
Inhibit	
S ¹¹	24
Power	
+5 To Inhibit	13
+5 To Inhibit	17
Ground	15

FUNCTION	PIN
Address	
S ⁴	7
S ⁵	9
S ⁶	13
S ⁷	11
Store	
Z ⁰	29
Z ¹	5
Z ⁴	27
Z ⁵	1
Z ⁸	3
Z ⁹	25
Read	
Z ²	28
Z ²	30
Z ³	2
Z ³	4
Z ⁶	6
Z ⁶	8
Z ⁷	24
Z ¹⁰	26
Z ¹⁰	10
Z ¹¹	12
Z ¹¹	20
Z ¹¹	22
Inhibit	
S ⁴	15
S ⁵	17
S ¹⁰	19
Control	
Read Enable	23
Write Enable	21
Power	
+8 To Drive	18
+6 To Drive	14
Ground	16

9 N25

1	M29	23	9
2	M26	22	7
3	M30	7	11
4	M26	24	7
5	M29	3	11
6	M27	16	9
7	M22	6	11
8	M27	18	9
9	M23	6	11
10	M28	16	9
11	M24	24	9
12	M28	18	9
13	M24	23	9
14	+6 Bus		
15	M22	7	11
16	N25	X	2
17	M23	7	11
18			
19	M24	7	11
20	M28	22	9
21	M14	26	15
22	M28	24	9
23	M14	4	29
24	M27	22	9
25	M30	21	11
26	M27	24	9
27	M29	25	11
28	M26	16	11
29	M29	5	13
30	M26	18	11

JACK PIN LG

63017100 Rev. G

STORAGE MODULE

9 N26

1	M32	2	11
2	M36	23	13
3	M32	4	11
4	M36	3	15
5	M33	2	13
6	M35	7	13
7	M33	4	13
8	M23	25	9
9	M34	8	13
10	M23	26	9
11	M34	10	13
12	M25	25	7
13			
14	M25	26	7
15	N26	X	2
16	M25	8	11
17			
18	M24	8	11
19	M34	2	13
20	M22	26	11
21	M34	4	13
22	M22	25	11
23	M33	8	13
24	M25	9	11
25	M33	10	13
26	M35	21	13
27	M32	8	13
28	M36	5	15
29	M32	10	13
30	M36	25	15

JACK PIN LG

FUNCTION	PIN
Address	
S ⁰	22
S ¹	20
S ²	8
S ³	10
S ⁶	12
S ⁹	14
S ¹⁰	18
S ¹¹	16
Store	
Z ²	6
Z ³	26
Z ⁶	28
Z ⁷	4
Z ¹⁰	30
Z ¹¹	2
Read	
Z ⁰	1
Z ⁰	3
Z ¹	27
Z ¹	29
Z ⁴	5
Z ⁴	7
Z ⁵	23
Z ⁵	25
Z ⁸	19
Z ⁸	21
Z ⁹	9
Z ⁹	11
Inhibit	
S ¹¹	24
Power	
+5 To Inhibit	13
+5 To Inhibit	17
Ground	15

FUNCTION	PIN
Address	
S ⁴	7
S ⁵	9
S ⁶	13
S ⁷	11
Store	
Z ⁰	29
Z ¹	5
Z ⁴	27
Z ⁵	1
Z ⁵	3
Z ⁸	25
Read	
Z ²	28
Z ²	30
Z ³	2
Z ³	4
Z ⁶	6
Z ⁶	8
Z ⁷	24
Z ⁷	26
Z ¹⁰	10
Z ¹⁰	12
Z ¹¹	20
Z ¹¹	22
Inhibit	
S ⁴	15
S ⁵	17
S ¹⁰	19
Control	
Read Enable	23
Write Enable	21
Power	
+8 To Drive	18
+6 To Drive	14
Ground	16

9 N33

1	M35	23	7
2	M32	22	7
3	M36	7	9
4	M32	24	7
5	M35	3	9
6	M33	16	9
7	M22	8	15
8	M33	18	9
9	M23	8	15
10	M34	16	9
11	M24	26	13
12	M34	18	9
13	M24	25	13
14	+6 Bus		
15	M22	9	15
16	N33	X	2
17	M23	9	15
18			
19	M24	9	15
20	M34	22	9
21	M14	27	21
22	M34	24	9
23	M14	6	29
24	M33	22	9
25	M36	21	11
26	M33	24	9
27	M35	25	9
28	M32	16	11
29	M35	5	11
30	M32	18	11

JACK PIN LG

63017100 Rev. G

9 N35

STORAGE
MODULE

FUNCTION	PIN
Address	
S ⁰	22
S ¹	20
S ²	8
S ³	10
S ⁴	12
S ⁵	14
S ⁶	18
S ⁷	16
Store	
Z ²	6
Z ³	26
Z ⁶	28
Z ⁷	4
Z ¹⁰	30
Z ¹¹	2
Read	
2 ⁰	1
2 ³	3
2 ¹	27
2 ¹	29
2 ⁴	5
2 ⁴	7
2 ⁵	23
2 ⁵	25
2 ⁸	19
2 ⁸	21
2 ⁹	9
2 ⁹	11
Inhibit	
S ¹¹	24
Power	
+5 To Inhibit	13
+5 To Inhibit	17
Ground	15

1	M38	2	9
2	M42	23	13
3	M38	4	9
4	M42	3	13
5	M39	2	11
6	M41	7	13
7	M39	4	11
8	M23	27	15
9	M40	8	11
10	M23	28	15
11	M40	10	11
12	M25	27	13
13			
14	M25	28	13
15	N35	X	2
16	M25	10	15
17			
18	M24	10	15
19	M40	2	13
20	M22	28	17
21	M40	4	13
22	M22	27	15
23	M39	8	11
24	M25	11	15
25	M39	10	11
26	M41	21	13
27	M38	8	11
28	M42	5	15
29	M38	10	11
30	M42	25	13

JACK PIN LG

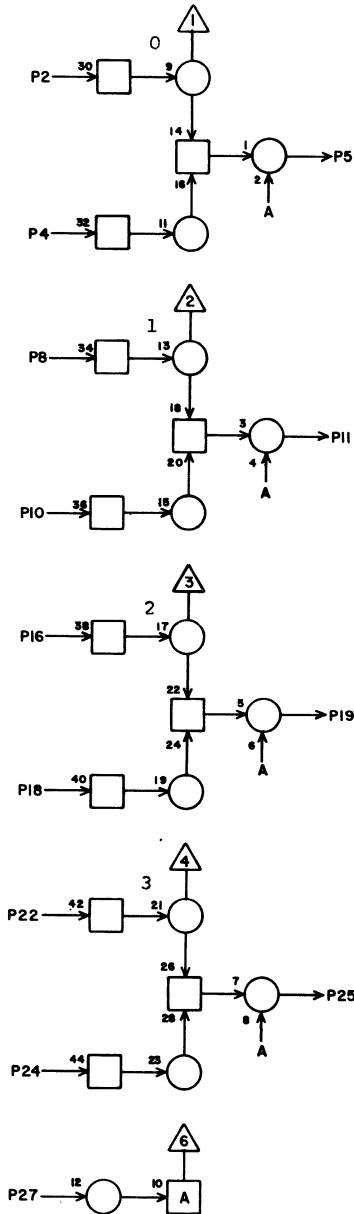
9 N42

FUNCTION	PIN
Address	
S ⁴	7
S ⁵	9
S ⁶	13
S ⁷	11
Store	
Z ⁰	29
Z ¹	5
Z ⁴	27
Z ⁵	1
Z ⁸	3
Z ⁹	25
Read	
2 ²	28
2 ²	30
2 ³	2
2 ³	4
2 ⁶	6
2 ⁶	8
2 ⁷	24
2 ⁷	26
2 ¹⁰	10
2 ¹⁰	12
2 ¹¹	20
2 ¹¹	22
Inhibit	
S ⁴	15
S ⁸	17
S ¹⁰	19
Control	
Read Enable	23
Write Enable	21
Power	
+8 To Drive	18
+6 To Drive	14
Ground	16

1	M41	23	7
2	M38	22	7
3	M42	7	9
4	M38	24	7
5	M41	3	9
6	M39	16	9
7	M22	10	23
8	M39	18	9
9	M23	10	21
10	M40	16	7
11	M24	28	19
12	M40	18	7
13	M24	27	19
14	+6 Bus		
15	M22	11	23
16	N42	X	2
17	M23	11	21
18			
19	M24	11	21
20	M40	22	9
21	M14	28	29
22	M40	24	9
23	M14	7	29
24	M39	22	11
25	M42	21	9
26	M39	24	11
27	M41	25	9
28	M38	16	11
29	M41	5	11
30	M38	18	11

JACK PIN LG

BANK 13 SENSE



SENSE

PS

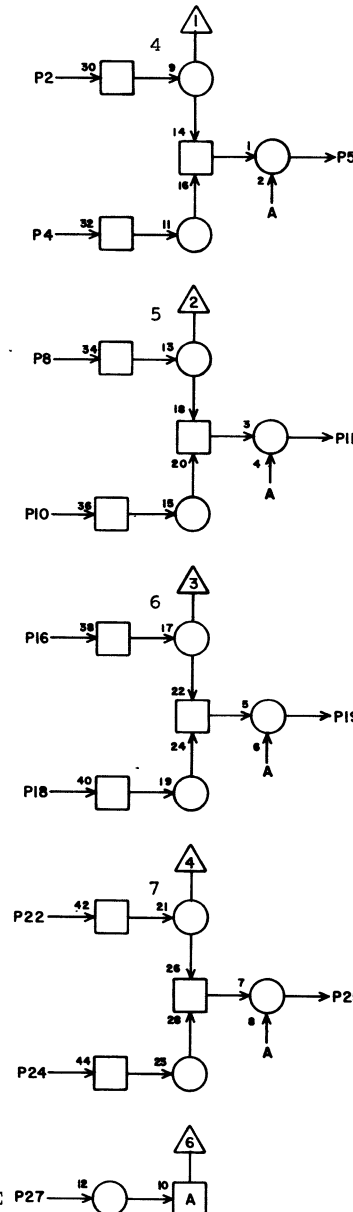
9P 1

1			
2	Q 1	1	9
3			
4	Q 1	3	9
5	H19	18	35
6			
7			
8	Q 1	27	11
9			
10	Q 1	29	11
11	H19	10	37
12			
13			
14			
15			
16	Q 8	28	13
17			
18	Q 8	30	13
19	H19	27	35
20			
21			
22	Q 8	2	11
23			
24	Q 8	4	11
25	H20	18	37
26	P14	15	15
27	P18	5	19
28	P ?	26	3

JACK PIN LG

63017100 Rev. D

BANK 13 SENSE



SENSE

PS

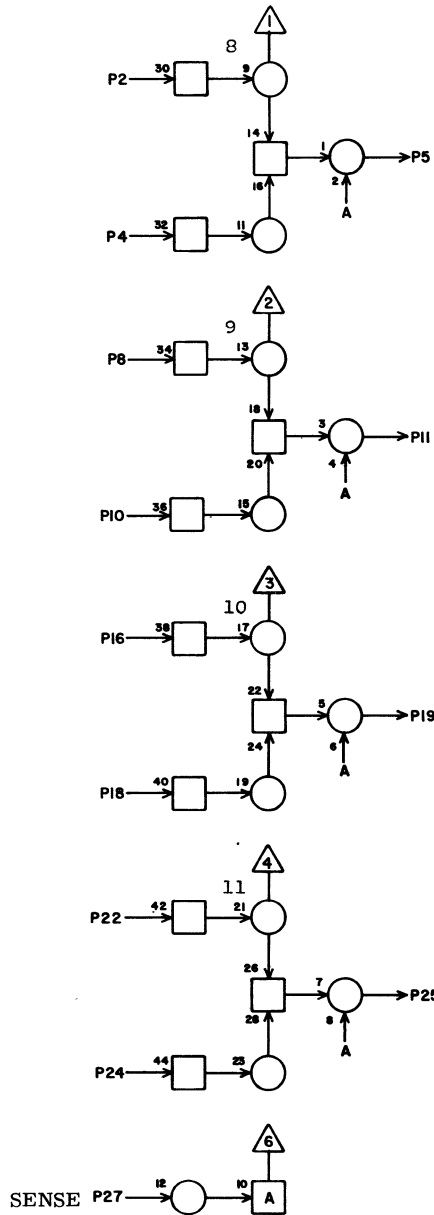
9P 2

1			
2	Q 1	5	9
3			
4	Q 1	7	9
5	H20	10	35
6			
7			
8	Q 1	23	11
9			
10	Q 1	25	11
11	H20	27	35
12			
13			
14			
15			
16	Q 8	6	11
17			
18	Q 8	8	11
19	H21	18	37
20			
21			
22	Q 8	24	13
23			
24	Q 8	26	13
25	H21	10	37
26	P 1	28	3
27	P18	7	17
28	P 3	26	3

JACK PIN LG

63017100 Rev. D

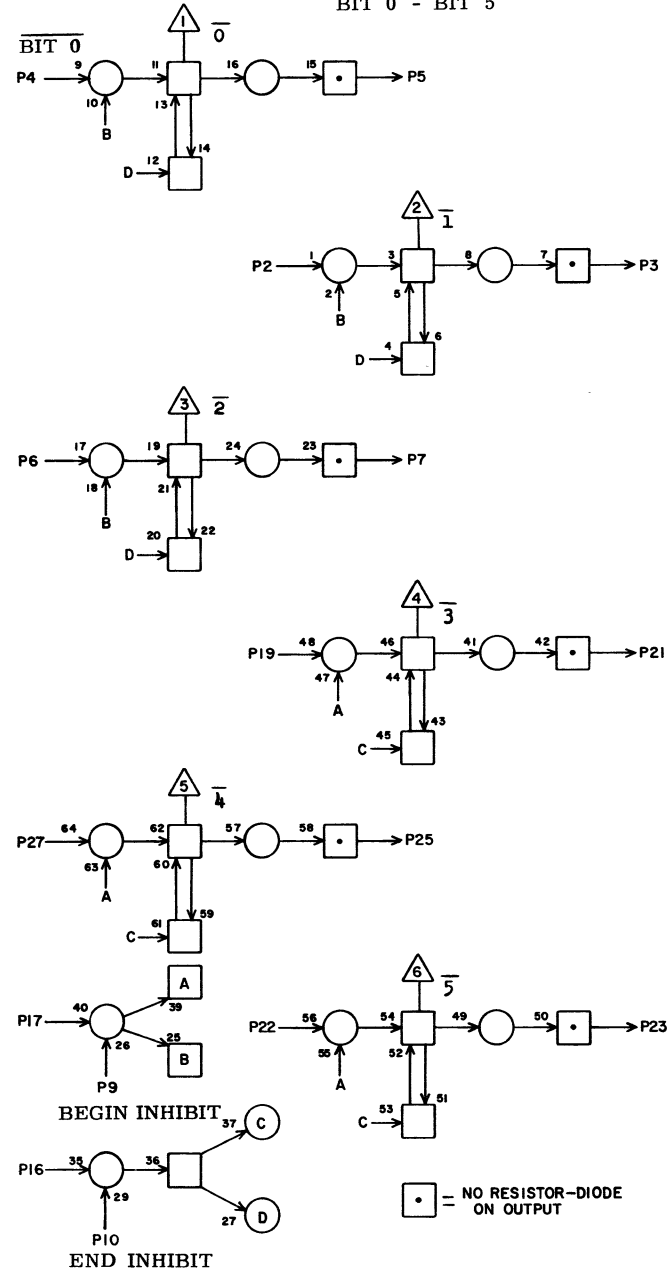
BANK 13 SENSE



PS			
9P 3			
JACK	PIN	LG	
1			
2	Q 1	19	11
3			
4	Q 1	21	11
5	H21	27	35
6			
7			
8	Q 1	9	9
9			
10	Q 1	11	9
11	H22	18	37
12			
13			
14			
15			
16	Q 8	10	11
17			
18	Q 8	12	11
19	H22	10	37
20			
21			
22	Q 8	20	11
23			
24	Q 8	22	11
25	H22	27	37
26	P 2	28	3
27	P18	9	17
28	P 7	26	7

63017100 Rev. D

BANK 13 RESTORE
BIT 0 - BIT 5



• = NO RESISTOR-DIODE ON OUTPUT

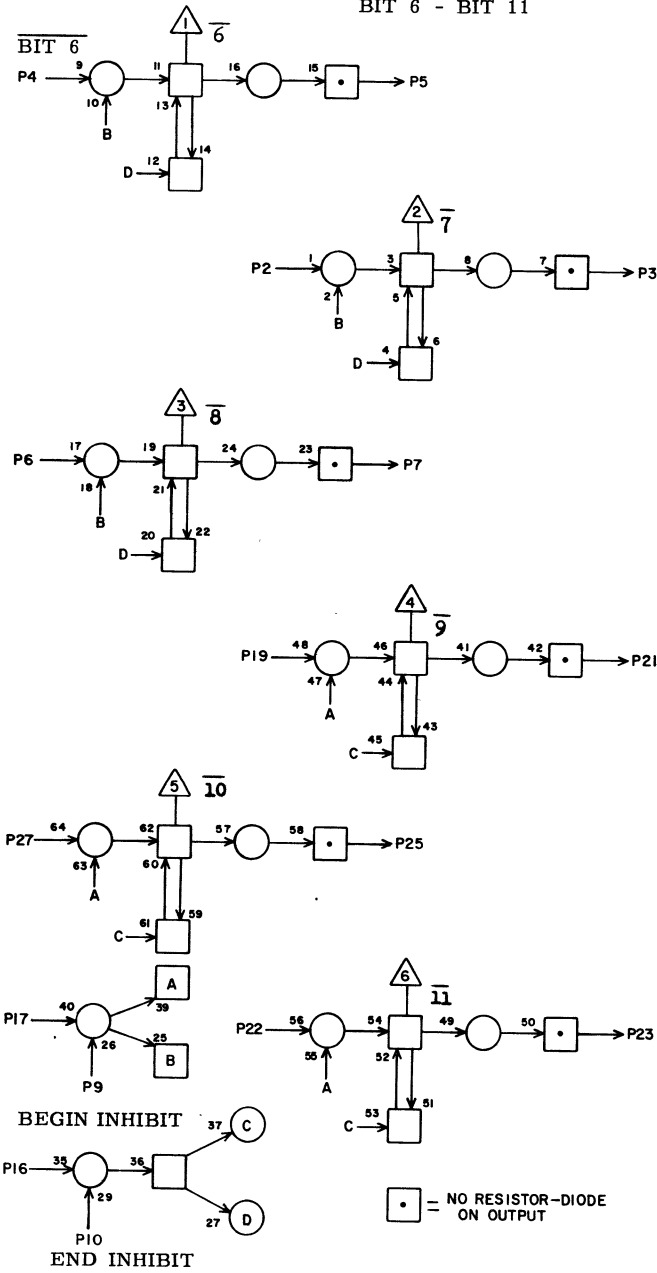
SPECIAL MODULE P2 9 P 4

1			
2	G 1	10	35
3	Q 8	5	11
4	G 1	6	35
5	Q 8	29	13
6	G 1	27	35
7	Q 1	6	11
8			
9	P20	6	17
10	P20	16	17
11			
12			
13			
14			
15			
16	P21	19	19
17	P21	1	19
18			
19	G 1	20	37
20			
21	Q 1	26	11
22	G 2	10	37
23	Q 8	1	9
24			
25	Q 8	27	11
26			
27	G 2	6	37
28			

JACK PIN LG

63017100 Rev. D

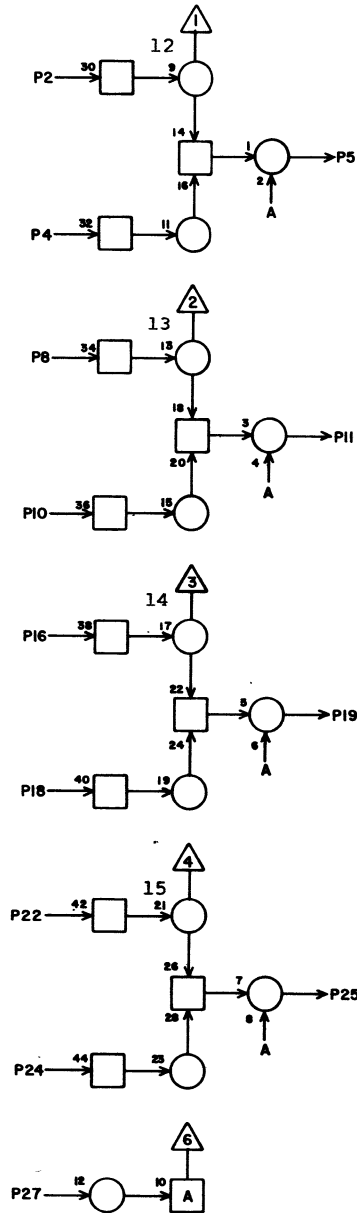
BANK 13 RESTORE
BIT 6 - BIT 11



SPECIAL MODULE PZ 9 P 5

1			
2	G 2	20	35
3	Q 1	4	11
4	G 2	27	35
5	Q 1	28	11
6	G 3	6	37
7	Q 8	3	9
8			
9	P20	8	17
10	P20	18	17
11			
12			
13			
14			
15			
16	P21	20	17
17	P21	2	17
18			
19	G 3	10	37
20			
21	Q 8	25	11
22	G 3	20	37
23	Q 1	2	9
24			
25	Q 1	30	11
26			
27	G 3	27	37
28			
	JACK	PIN	LG

BANK 13 SENSE



SENSE

PS

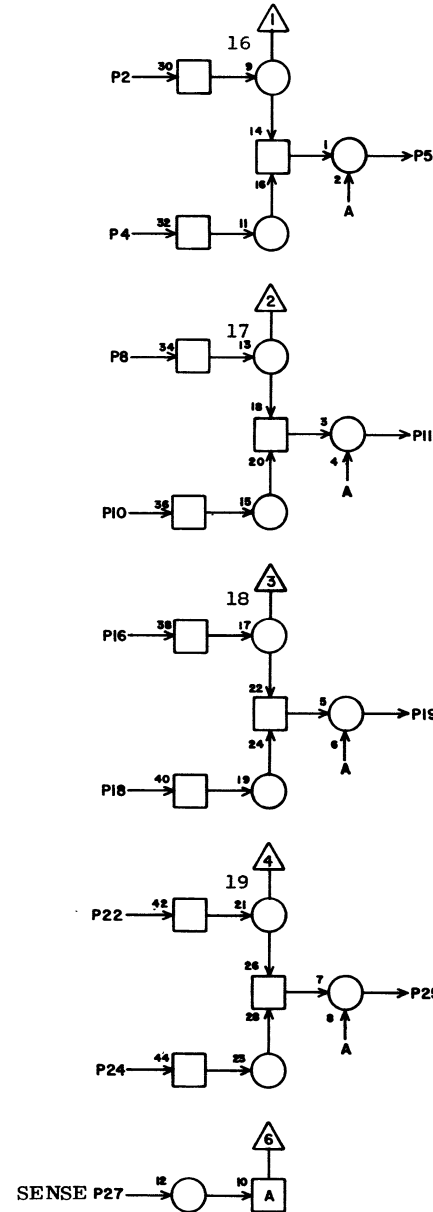
9 P 7

1			
2	Q10	1	11
3			
4	Q10	3	11
5	H24	18	35
6			
7			
8	Q10	27	11
9			
10	Q10	29	11
11	H24	10	37
12			
13			
14			
15			
16	Q16	28	15
17			
18	Q16	30	15
19	H24	27	35
20			
21			
22	Q16	2	13
23			
24	Q16	4	13
25	H25	18	37
26	P 3	28	7
27	P18	11	13
28	P 8	26	3

JACK PIN LG

63017100 Rev. D

BANK 13 SENSE



SENSE P27

PS

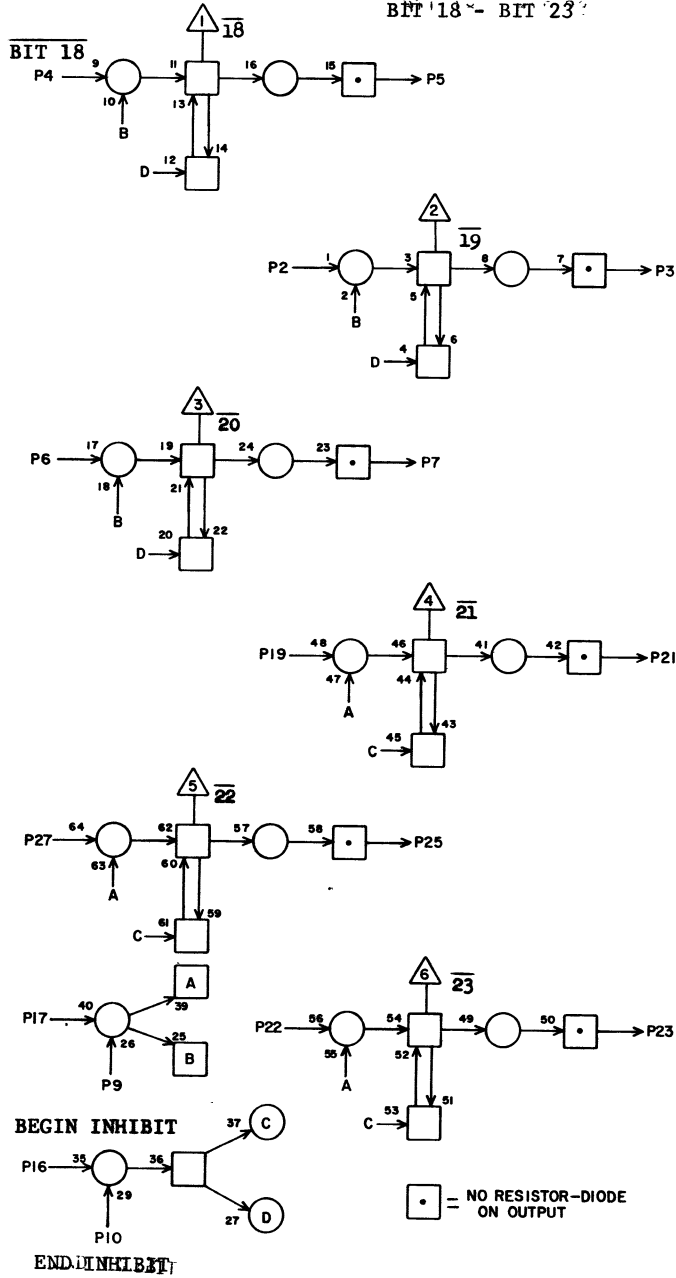
9 P 8

1			
2	Q10	5	11
3			
4	Q10	7	11
5	H25	10	35
6			
7			
8	Q10	23	11
9			
10	Q10	25	11
11	H25	27	35
12			
13			
14			
15			
16	Q16	6	13
17			
18	Q16	8	13
19	H26	18	37
20			
21			
22	Q16	24	13
23			
24	Q16	26	13
25	H26	10	37
26	P 7	28	3
27	P18	13	13
28	P 9	26	3

JACK PIN LG

63017100 Rev. D

BANK 13 RESTORE
BIT '18' - BIT '23'

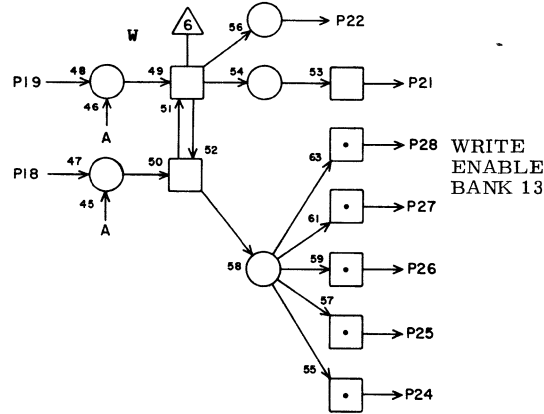
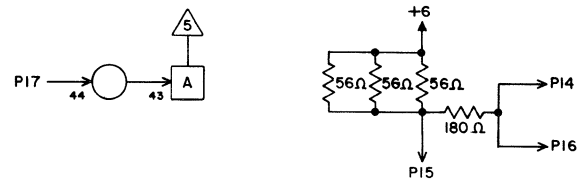
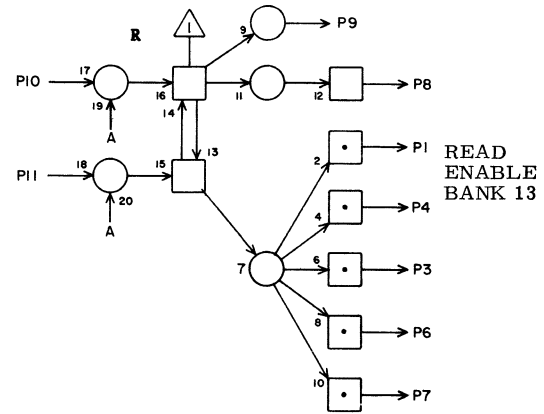


SPECIAL MODULE PZ 9P11

1			
2	G 6	20	35
3	Q10	4	9
4	G 6	27	35
5	Q10	28	11
6	G 7	6	37
7	Q16	3	11
8			
9	P20	12	11
10	P20	22	13
11			
12			
13			
14			
15			
16	P21	22	13
17	P21	6	13
18			
19	G 7	10	37
20			
21	Q16	25	13
22	G 7	20	37
23	Q10	2	7
24			
25	Q10	30	9
26			
27	G 7	27	37
28			

JACK PIN LG

BANK 13 STORAGE SEQUENCE CONTROL

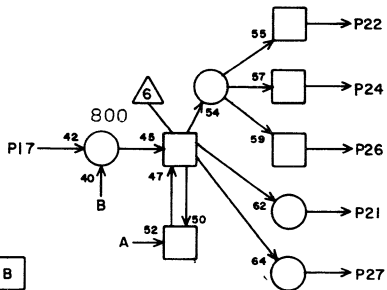
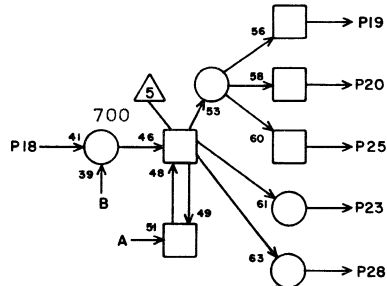
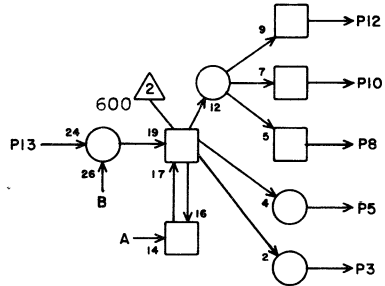
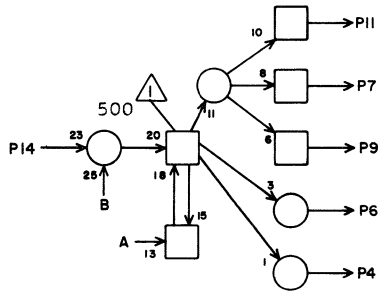


□ = NO RESISTOR-DIODE ON OUTPUT

SPECIAL MODULE PU **9 P14**

JACK	PIN	LG
1	Q 8	23 29
2		
3	Q16	23 29
4	Q25	23 29
5		
6	Q33	23 29
7	Q42	23 29
8	F13	22 39
9	G29	24 37
10	G39	9 39
11	P16	26 120
12		
13		
14	M14	16 13
15	P 1	26 15
16		
17	GND	X 2
18	P17	6 7
19	F13	23 180
20		
21	P17	13 7
22	G29	26 37
23		
24	Q 8	21 11
25	Q16	21 9
26	Q25	21 15
27	Q33	21 21
28	Q42	21 29

BANK 13
STORAGE SEQUENCE CONTROL



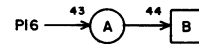
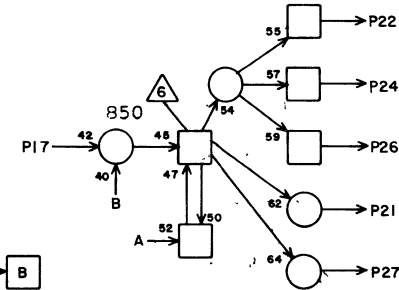
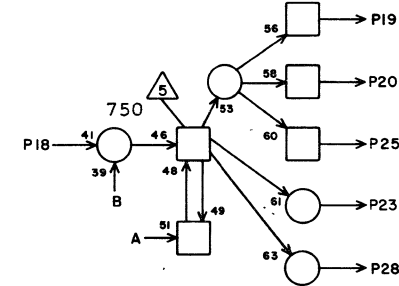
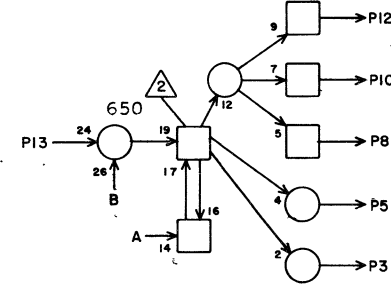
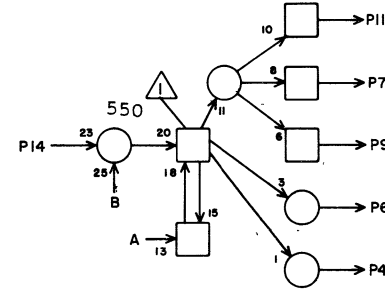
PD 9P 15

1			
2			
3			
4			
5			
6			
7			
8	P16	13	3
9			
10			
11	P16	14	3
12			
13	P16	7	3
14	F13	21	39
15			
16	G21	23	35
17	P16	20	3
18	P16	8	3
19			
20	P16	18	3
21			
22	P16	17	3
23			
24			
25			
26			
27			
28			

JACK PIN LG

63017100 Rev. R

BANK 13
STORAGE SEQUENCE CONTROL



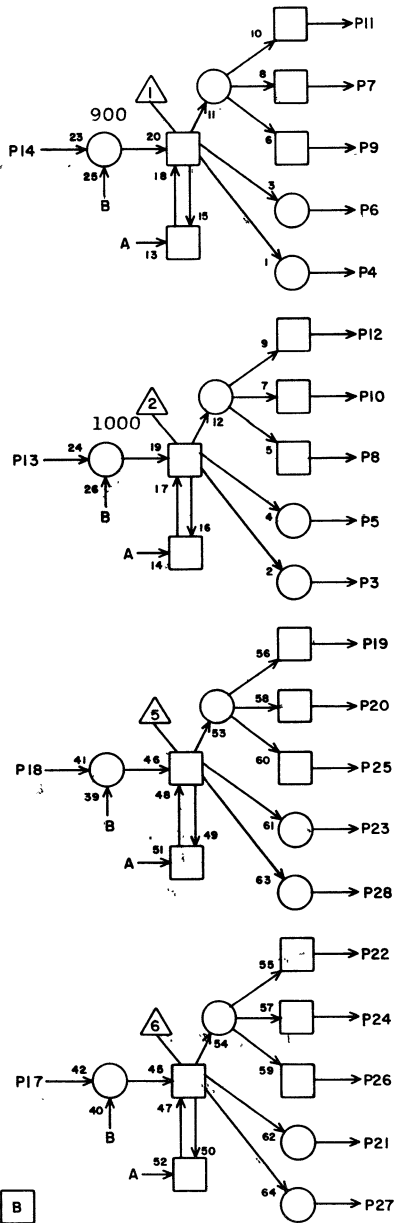
PD 9P 16

1			
2			
3			
4			
5			
6			
7	P15	13	3
8	P15	18	3
9	P19	3	7
10	P18	1	7
11			
12			
13	P15	8	3
14	P15	11	3
15			
16	P21	18	7
17	P15	22	3
18	P15	20	3
19			
20	P15	17	3
21	P19	2	7
22	P17	14	3
23	G29	28	37
24	P19	1	7
25			
26	P14	11	120
27			
28	P18	3	7

JACK PIN LG

63017100 Rev. R

BANK 13
STORAGE SEQUENCE CONTROL



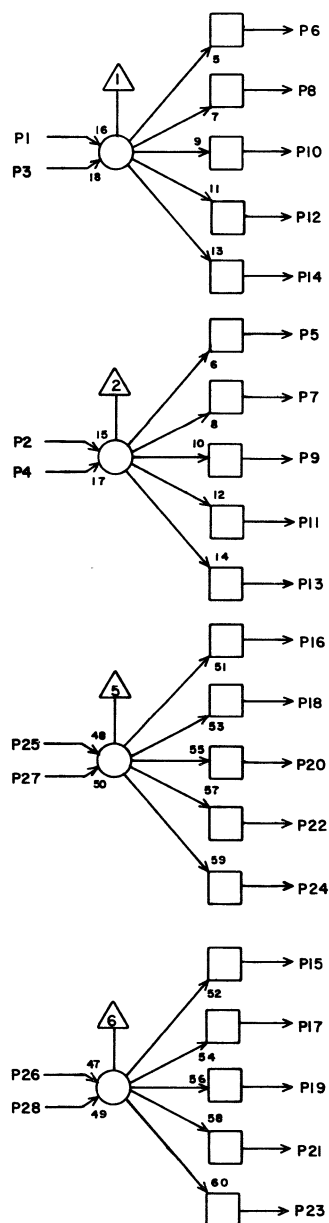
PD 9 P 17

1			
2			
3			
4			
5			
6	P 14	18	7
7	F 13	24	108
8			
9			
10			
11			
12			
13	P 14	21	7
14	P 16	22	3
15			
16	G 21	24	35
17			
18			
19			
20			
21			
22			
23			
24			
25			
26			
27			
28			

JACK PIN LG

63017100 Rev. M

BANK 13
STORAGE SEQUENCE CONTROL



BANK 13 to
BANK MERGE

BANK 13 SENSE

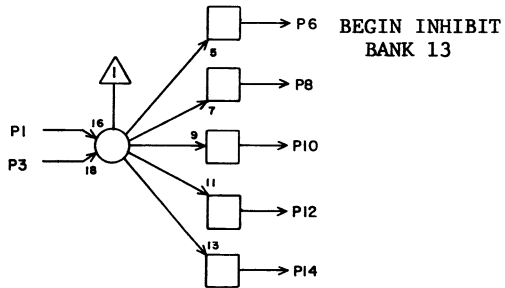
T D 9 P 18

1	P 16	10	7
2	P 18	6	3
3	P 16	28	7
4	P 18	X	2
5	P 1	27	19
6	P 18	2	3
7	P 2	27	17
8	P 18	25	3
9	P 3	27	17
10	P 18	26	3
11	P 7	27	13
12	G 24	11	35
13	P 8	27	13
14			
15	P 33	27	17
16	P 9	27	11
17	P 34	27	17
18	P 26	27	11
19	P 38	27	3
20	P 27	27	13
21	P 39	27	23
22	P 28	27	13
23	P 40	27	23
24	P 32	27	17
25	P 18	8	3
26	P 18	10	3
27	P 18	X	2
28	P 18	X	2

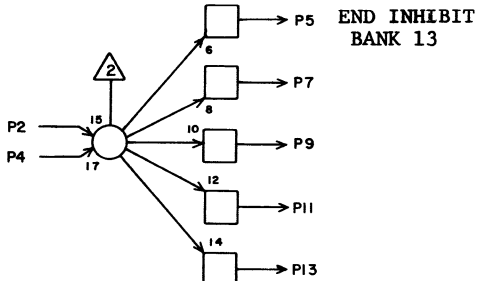
JACK PIN LG

63017100 Rev. M

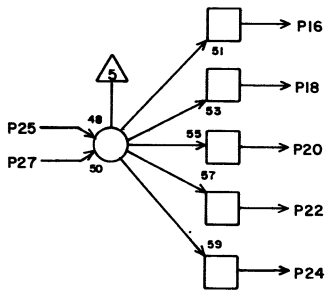
BANK 13
STORAGE SEQUENCE CONTROL



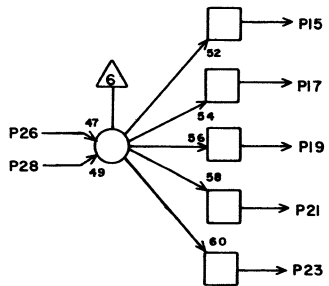
BEGIN INHIBIT
BANK 13



END INHIBIT
BANK 13



END INHIBIT
BANK 13



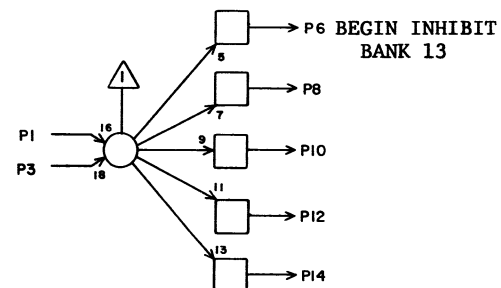
T D 9 P19

1	P16	24	7
2	P16	21	7
3	P16	9	7
4	P19	X	2
5	P20	25	5
6	P20	3	3
7	P20	26	3
8	P20	2	3
9			
10			
11			
12			
13			
14			
15			
16			
17			
18			
19			
20			
21			
22			
23			
24			
25			
26			
27			
28			

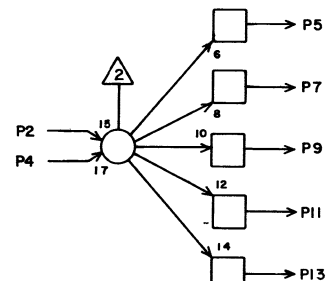
JACK PIN LG

63017100 Rev. K

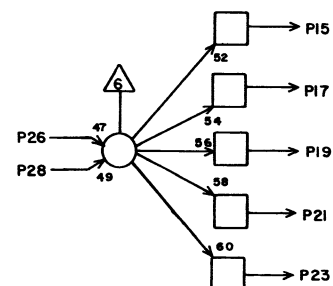
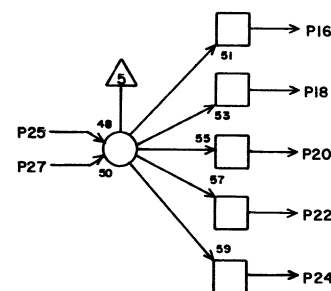
BANK 13
STORAGE SEQUENCE CONTROL



BEGIN INHIBIT
BANK 13



END INHIBIT
BANK 13

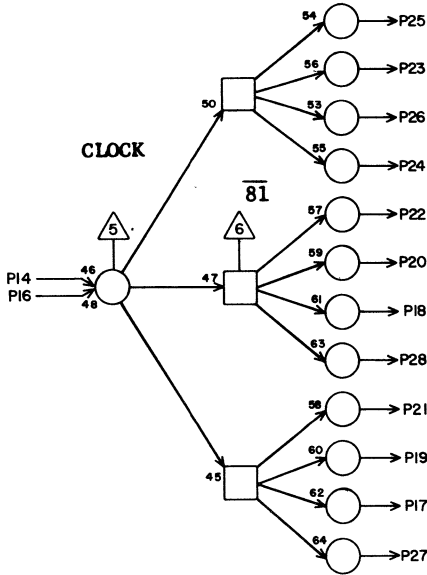
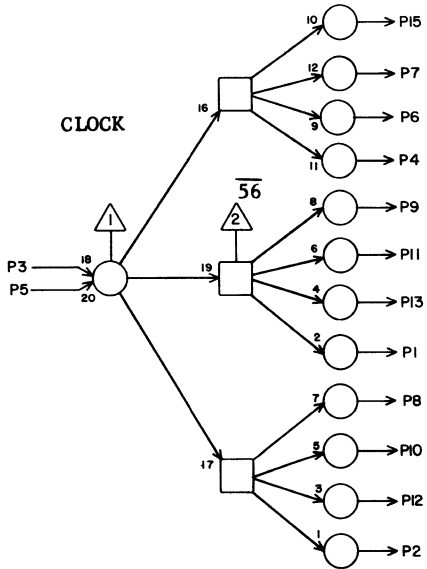


T D 9 P20

1	P20	X	2
2	P19	8	3
3	P19	6	3
4	P20	X	2
5	P30	9	13
6	P 4	9	17
7	P35	9	17
8	P 5	9	17
9	P36	9	17
10	P10	9	13
11	P41	9	21
12	P11	9	11
13	P42	9	23
14	P29	9	13
15	P30	10	13
16	P 4	10	17
17	P35	10	17
18	P 5	10	17
19	P36	10	17
20	P10	10	13
21	P41	10	21
22	P11	10	13
23	P42	10	23
24	P29	10	13
25	P19	5	5
26	P19	7	3
27	P20	X	2
28	P20	X	2

JACK PIN LG

63017100 Rev. K



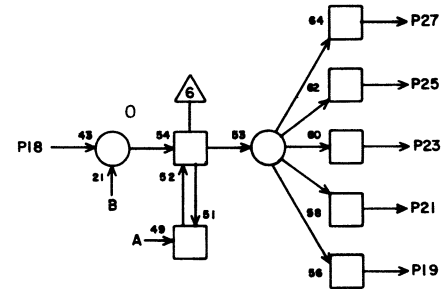
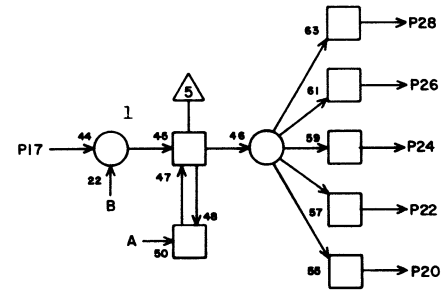
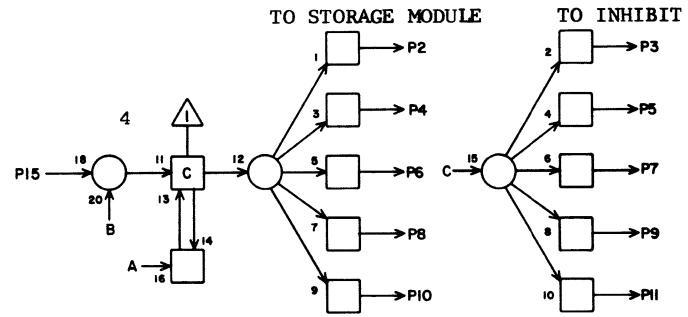
TC 9 P21

1	P 4	17	19
2	P 5	17	17
3	G32	23	37
4	P10	17	13
5	P21	X	2
6	P11	17	13
7	P29	17	11
8	P30	17	13
9	P35	17	19
10	P36	17	19
11	P41	17	21
12	P42	17	23
13	P24	14	7
14	G32	27	39
15	P25	14	7
16	P21	X	2
17			
18	P16	16	7
19	P 4	16	19
20	P 5	16	17
21	P10	16	15
22	P11	16	13
23	P29	16	11
24	P30	16	13
25	P35	16	15
26	P36	16	17
27	P41	16	21
28	P42	16	23

JACK PIN LG

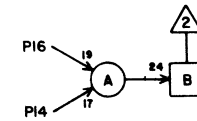
63017100 Rev. M

BANK 13
ADDRESS BITS 0,1,4



13 FREE

CLOCK



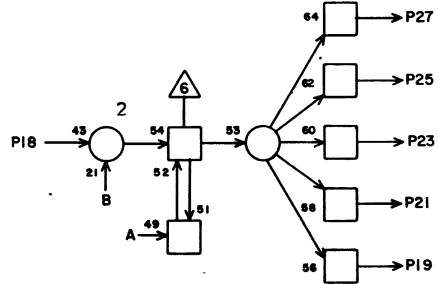
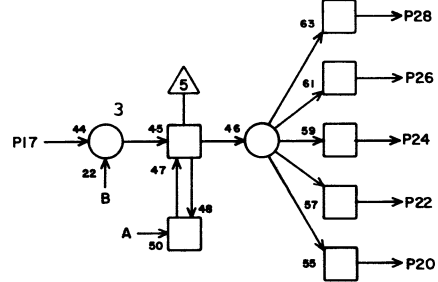
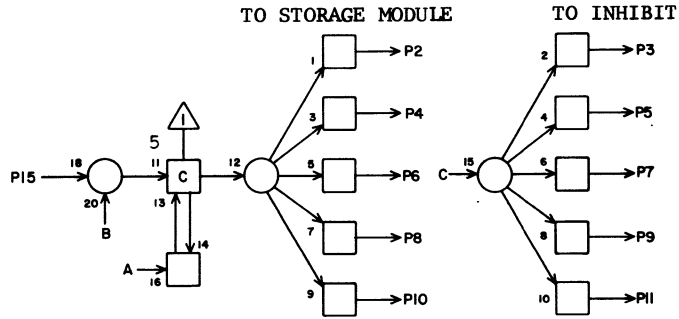
SA 9 P 22

1			
2	Q 8	7	17
3	Q 8	15	17
4	Q16	7	11
5	Q16	15	13
6	Q25	7	11
7	Q25	15	11
8	Q33	7	15
9	Q33	15	15
10	Q42	7	23
11	Q42	15	21
12			
13			
14	M21	13	15
15	G41	6	41
16	G26	15	37
17	G40	10	39
18	G40	6	39
19	Q 1	22	23
20	Q 1	20	23
21	Q10	22	17
22	Q10	20	15
23	Q18	22	11
24	Q18	20	11
25	Q26	22	11
26	Q26	20	11
27	Q35	22	15
28	Q35	20	17

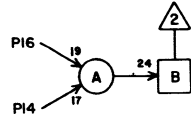
JACK PIN LG

63017100 Rev.D

BANK 13
ADDRESS BITS 2,3,5



13 FREE
CLOCK

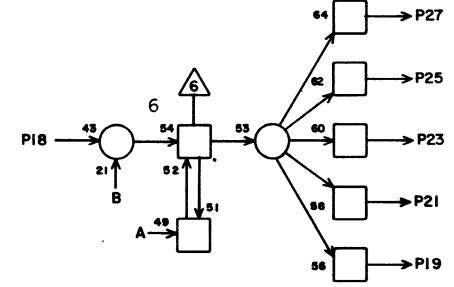
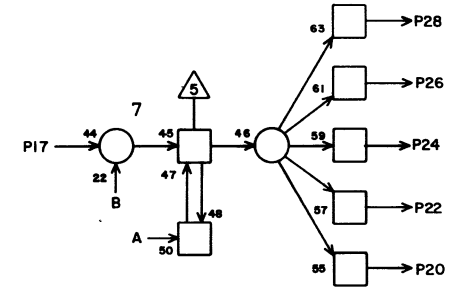
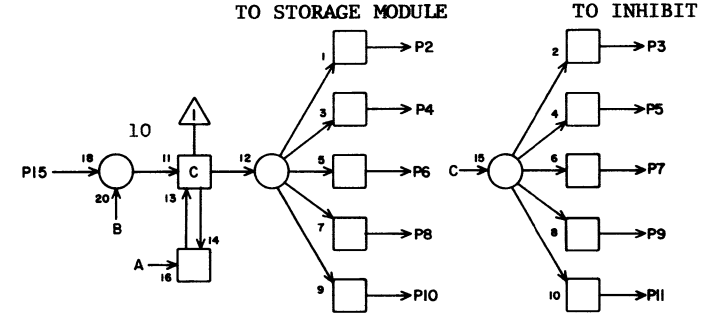


SA 9 2 23

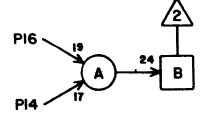
1			
2	Q 8	9	17
3	Q 8	17	19
4	Q16	9	13
5	Q16	17	13
6	Q25	9	11
7	Q25	17	11
8	Q33	9	13
9	Q33	17	15
10	Q42	9	21
11	Q42	17	21
12			
13			
14	M21	15	15
15	G41	10	39
16	G26	17	37
17	G40	23	39
18	G40	27	39
19	Q 1	8	23
20	Q 1	10	23
21	Q10	8	17
22	Q10	10	17
23	Q18	8	11
24	Q18	10	11
25	Q26	8	9
26	Q26	10	9
27	Q35	8	15
28	Q35	10	15

JACK PIN LG

BANK 13
ADDRESS BITS 6,7,10



13 FREE
CLOCK

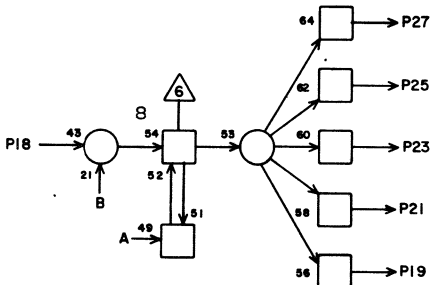
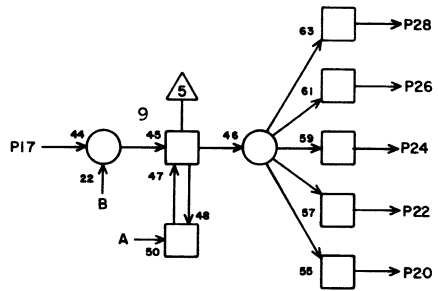
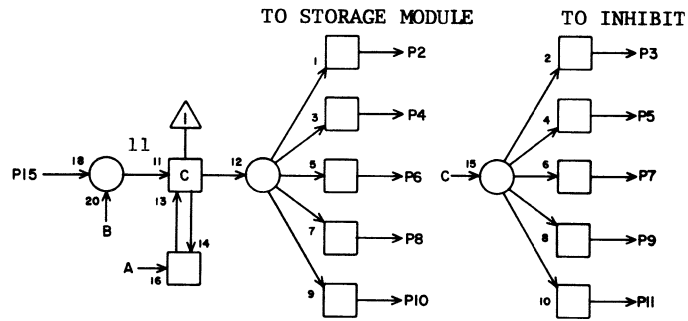


SA 9 2 24

1			
2	Q 1	18	25
3	Q 9	19	19
4	Q10	18	17
5	Q16	19	13
6	Q18	18	13
7	Q25	19	11
8	Q26	18	11
9	Q33	19	15
10	Q35	18	15
11	Q42	19	21
12			
13			
14	P21	13	7
15	G42	27	39
16	G26	19	35
17	G41	23	39
18	G41	27	39
19	Q 8	13	19
20	Q 8	11	17
21	Q16	13	13
22	Q16	11	11
23	Q25	13	7
24	Q25	11	7
25	Q33	13	13
26	Q33	11	13
27	Q42	13	19
28	Q42	11	19

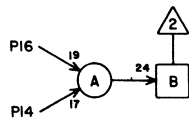
JACK PIN LG

BANK 13
ADDRESS BITS 8,9,11



13 FREE

CLOCK



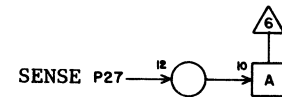
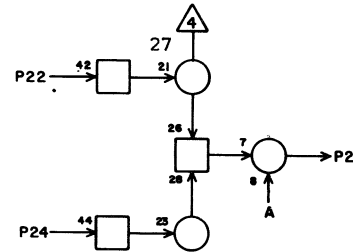
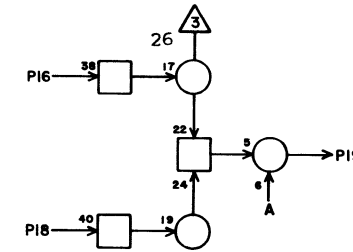
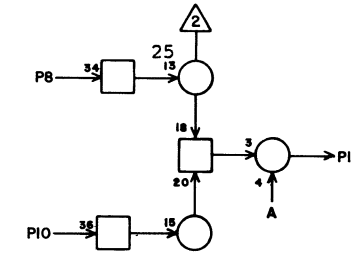
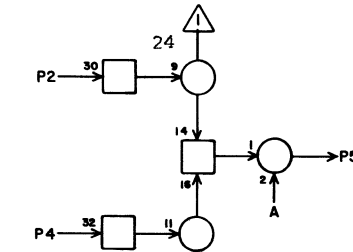
SA

9P 25

JACK	PIN	LG
1		
2	Q 1	16 25
3	Q 1	24 25
4	Q10	16 17
5	Q10	24 19
6	Q18	16 13
7	Q18	24 13
8	Q26	16 11
9	Q26	24 11
10	Q35	16 15
11	Q35	24 15
12		
13		
14	P21	15 7
15	G42	23 37
16	G26	21 35
17	G42	10 39
18	G42	6 39
19	Q 1	12 25
20	Q 1	14 25
21	Q10	12 19
22	Q10	14 19
23	Q18	12 13
24	Q18	14 13
25	Q26	12 7
26	Q26	14 7
27	Q35	12 13
28	Q35	14 13

63017100 Rev.D

BANK 13 SENSE



PS

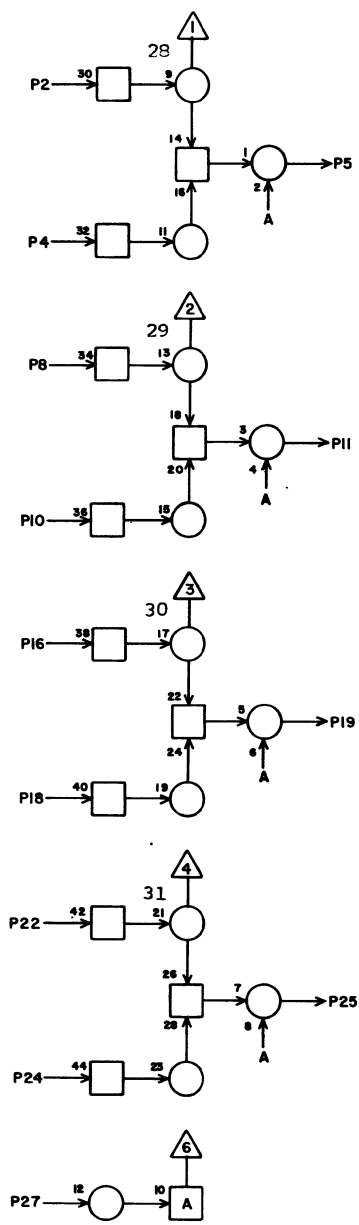
9P 26

JACK	PIN	LG
1		
2	Q18	1 13
3		
4	Q18	3 13
5	H29	18 31
6		
7		
8	Q18	27 13
9		
10	Q18	29 13
11	H29	10 33
12		
13		
14		
15		
16	Q25	28 11
17		
18	Q25	30 11
19	H29	27 33
20		
21		
22	Q25	2 7
23		
24	Q25	4 7
25	H30	18 33
26	P 9	28 19
27	P18	18 11
28	P27	26 3

JACK PIN LG

63017100 Rev. D

BANK 13 SENSE



SENSE

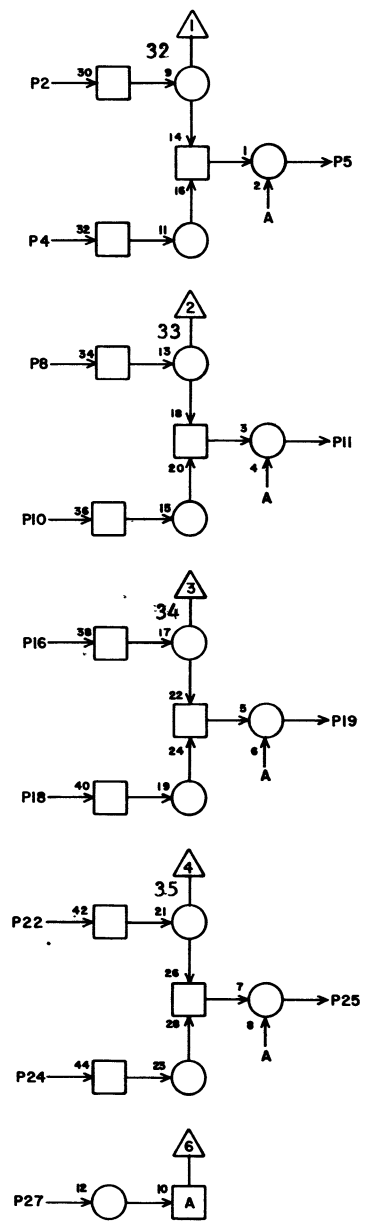
PS 9P 27

1			
2	Q18	5	13
3			
4	Q18	7	13
5	H30	10	33
6			
7			
8	Q18	23	15
9			
10	Q18	25	15
11	H30	27	31
12			
13			
14			
15			
16	Q25	6	9
17			
18	Q25	8	9
19	H31	18	33
20			
21			
22	Q25	24	9
23			
24	Q25	26	9
25	H31	10	33
26	P26	28	5
27	P18	20	13
28	P28	26	3

JACK PIN LG

63017100 Rev. D

BANK 13 SENSE



SENSE

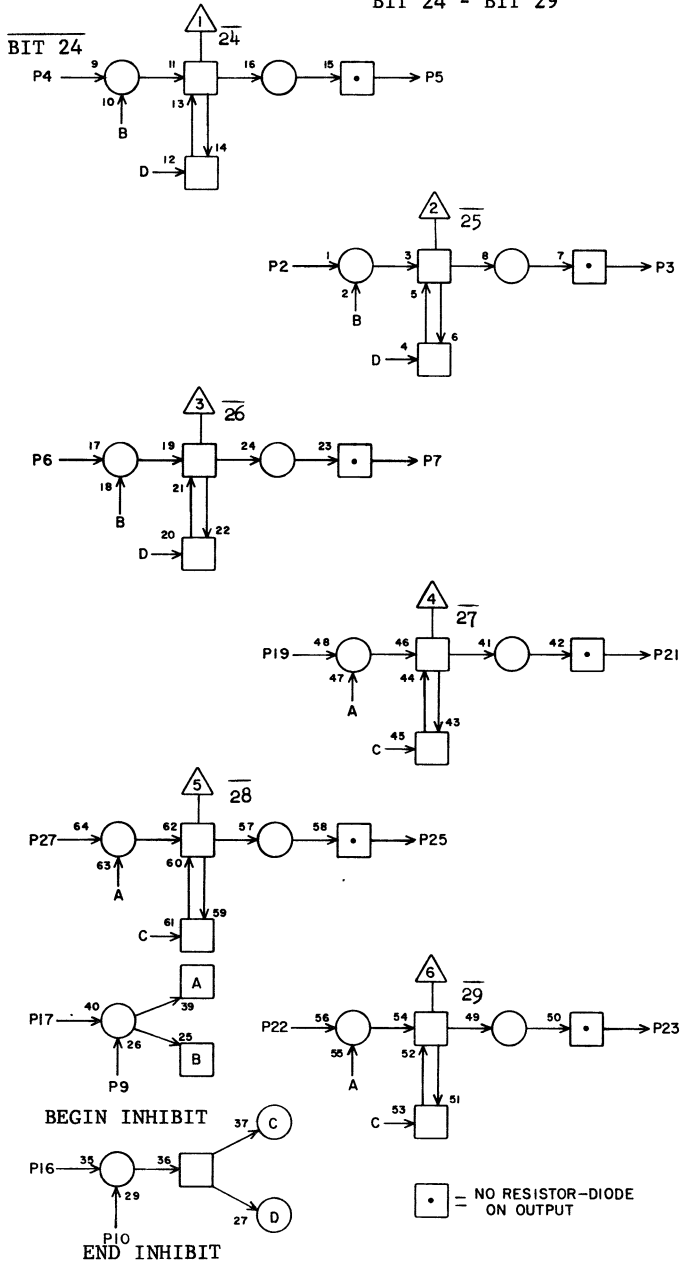
PS 9P 28

1			
2	Q18	19	15
3			
4	Q18	21	15
5	H31	27	31
6			
7			
8	Q18	9	15
9			
10	Q18	11	15
11	H32	18	33
12			
13			
14			
15			
16	Q25	10	9
17			
18	Q25	12	9
19	H32	10	33
20			
21			
22	Q25	20	9
23			
24	Q25	22	9
25	H32	27	31
26	P27	28	3
27	P18	22	13
28	P32	26	7

JACK PIN LG

63017100 Rev. D

BANK 13 RESTORE
BIT 24 - BIT 29

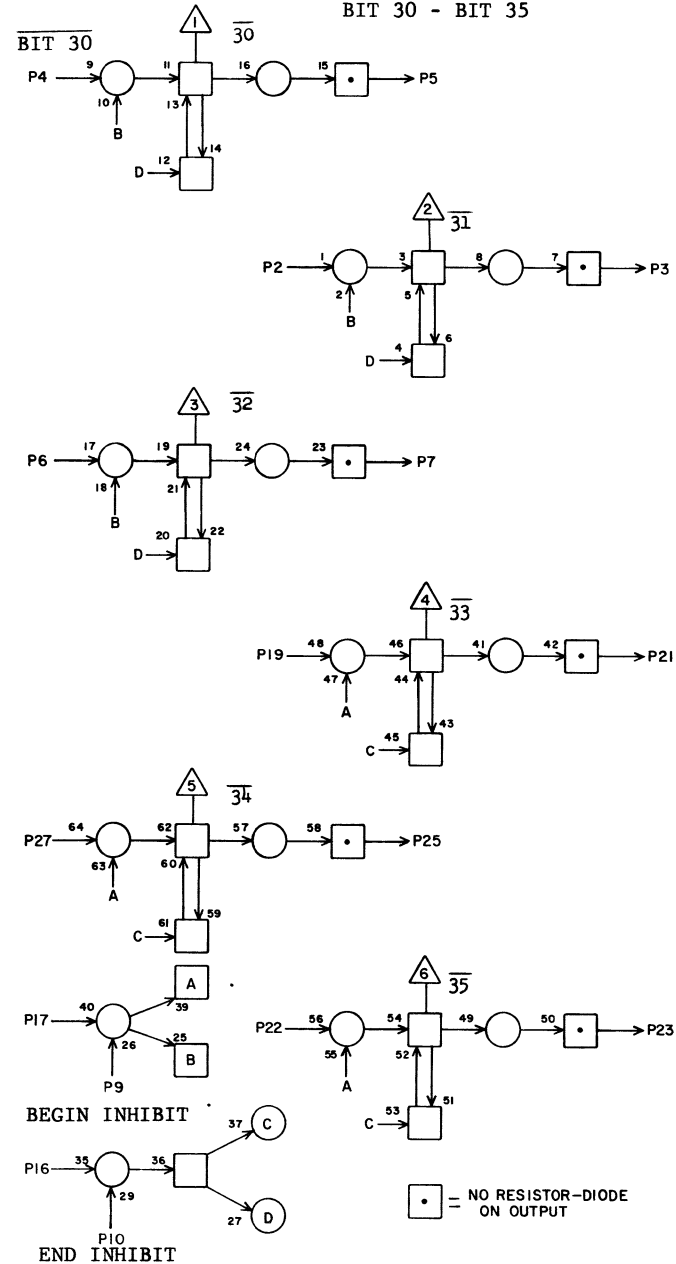


SPECIAL MODULE PZ 9 P29

1			
2	G 9	10	39
3	Q25	5	11
4	G 9	6	41
5	Q25	29	13
6	G 9	27	39
7	Q18	6	15
8			
9	P20	14	13
10	P20	24	13
11			
12			
13			
14			
15			
16	P21	23	11
17	P21	7	11
18			
19	G 9	20	41
20			
21	Q18	26	15
22	G10	10	41
23	Q25	1	9
24			
25	Q25	27	11
26			
27	G10	6	41
28			

JACK PIN LG

BANK 13 RESTORE
BIT 30 - BIT 35

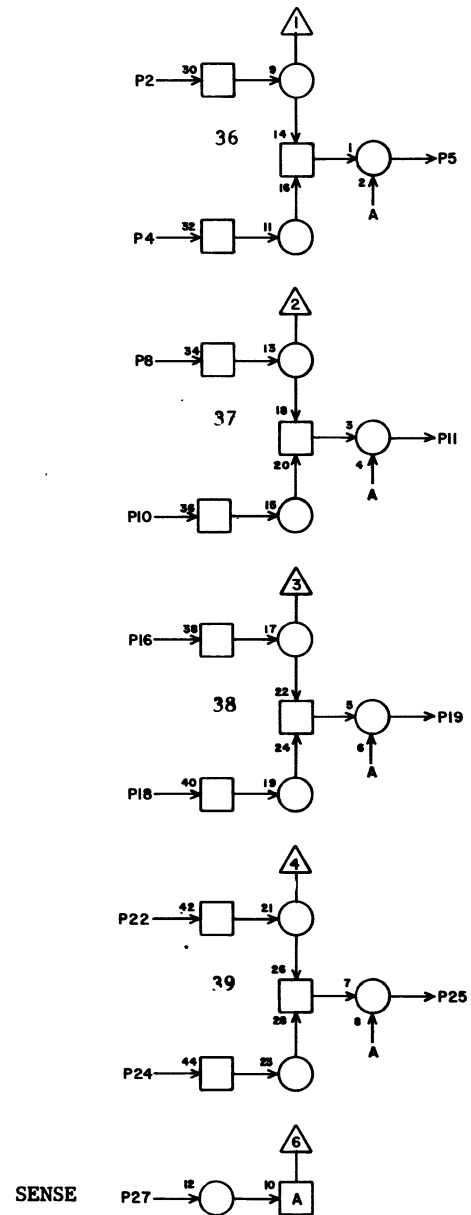


SPECIAL MODULE PZ 9 P30

1			
2	G10	20	39
3	Q18	4	17
4	G10	27	39
5	Q18	28	17
6	G11	6	41
7	Q25	3	11
8			
9	P20	5	13
10	P20	15	13
11			
12			
13			
14			
15			
16	P21	24	13
17	P21	8	13
18			
19	G11	10	41
20			
21	Q25	25	11
22	G11	20	39
23	Q18	2	15
24			
25	Q18	30	17
26			
27	G11	27	39
28			

JACK PIN LG

BANK 13 SENSE



PS

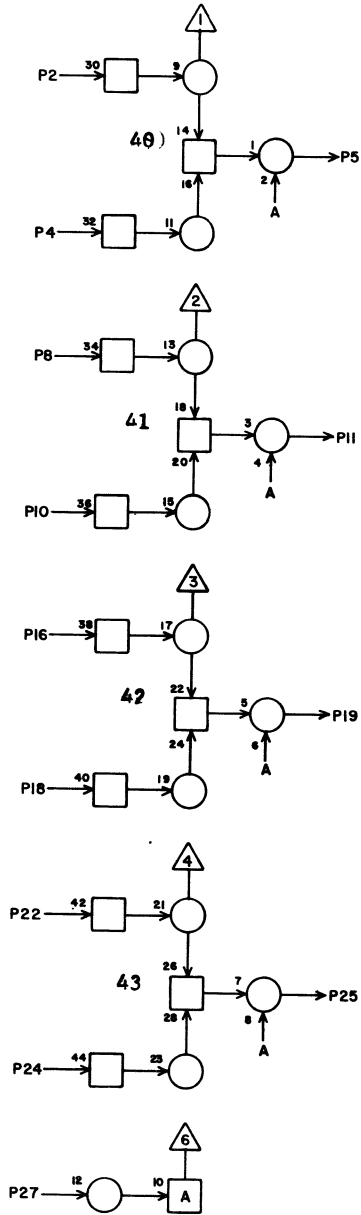
9P 32

1			
2	Q26	1	11
3			
4	Q26	3	11
5	H34	18	31
6			
7			
8	Q26	27	13
9			
10	Q26	27	13
11	H34	10	35
12			
13			
14			
15			
16	Q33	28	11
17			
18	Q33	30	11
19	H34	27	33
20			
21			
22	Q33	2	7
23			
24	Q33	4	7
25	H35	18	33
26	P28	28	7
27	P18	24	17
28	P33	26	3

JACK PIN LG

63017100 Rev.D

BANK 13 SENSE



SENSE

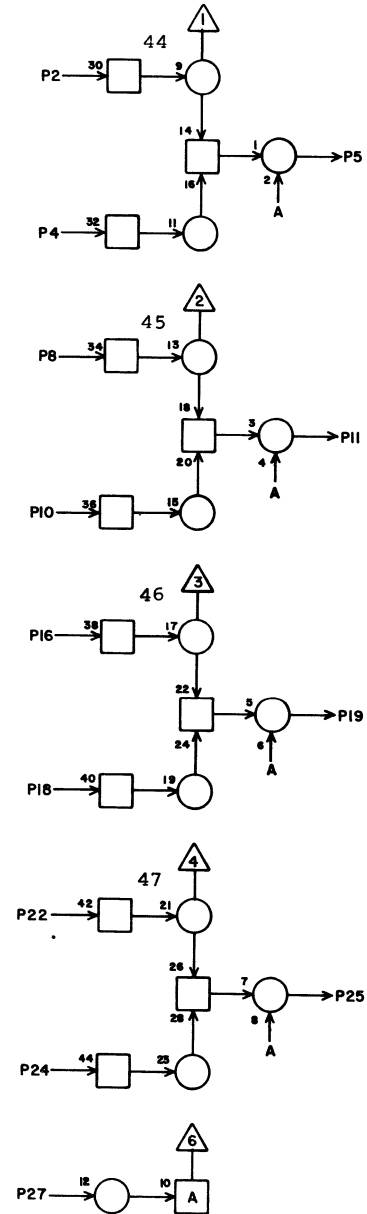
PS 9 P 33

1			
2	Q26	5	13
3			
4	Q26	7	13
5	H35	10	33
6			
7			
8	Q26	23	13
9			
10	Q26	25	13
11	H35	27	31
12			
13			
14			
15			
16	Q33	6	9
17			
18	Q33	8	9
19	H36	18	33
20			
21			
22	Q33	24	9
23			
24	Q33	26	9
25	H36	10	33
26	P32	28	3
27	P18	15	17
28	P34	26	3

JACK PIN LG

63017100 Rev. D

BANK 13 SENSE



SENSE

PS 9P34

1			
2	Q26	19	11
3			
4	Q26	21	11
5	H36	27	31
6			
7			
8	Q26	9	13
9			
10	Q26	11	13
11	H37	18	33
12			
13			
14			
15			
16	Q33	10	9
17			
18	Q33	12	9
19	H37	10	33
20			
21			
22	Q33	20	9
23			
24	Q33	22	9
25	H37	27	33
26	P33	28	3
27	P18	17	17
28	P38	26	7

JACK PIN LG

63017100 Rev. D

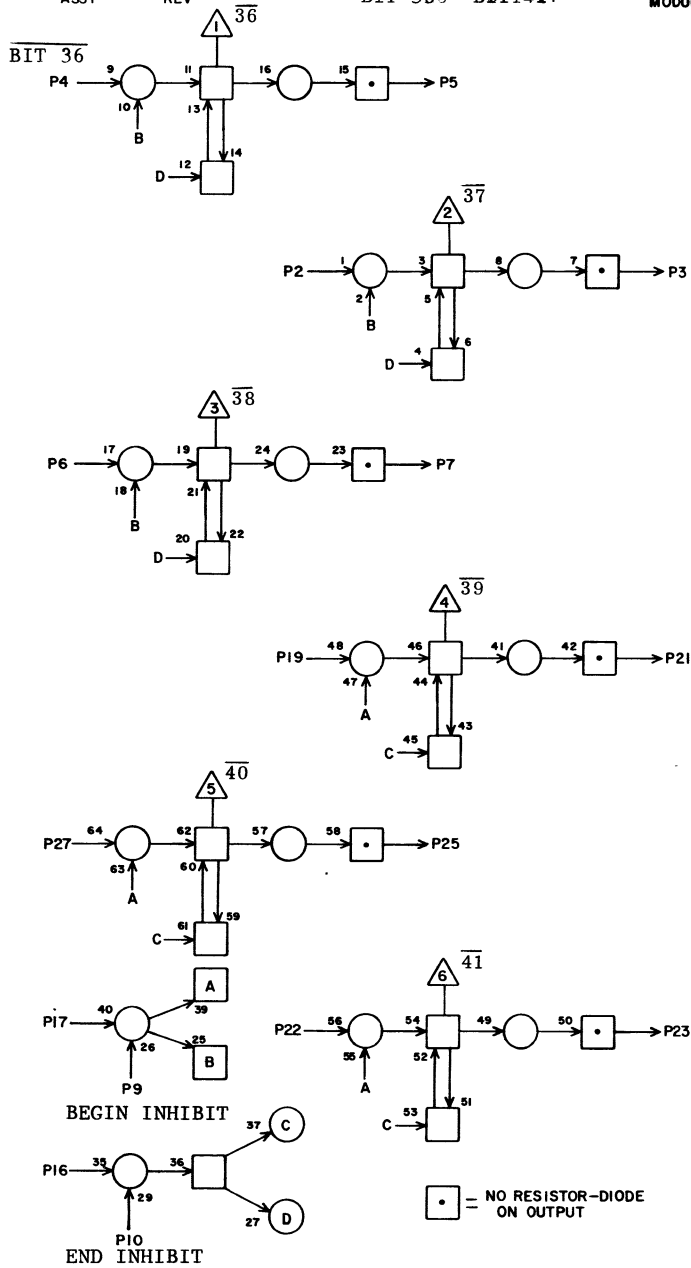
LS 63059900
ASSY

D
REV

BANK 13 RESTORE
BFT 366--BIT1411

PZ
SPECIAL
MODULE

9 P35



JACK	PIN	LG
1		
2	G13	10 41
3	Q33	5 9
4	G13	6 41
5	Q33	29 11
6	G13	27 39
7	Q26	6 13
8		
9	P20	7 17
10	P20	17 17
11		
12		
13		
14		
15		
16	P21	25 15
17	P21	9 19
18		
19	G13	20 41
20		
21	Q26	26 15
22	G14	10 41
23	Q33	1 7
24		
25	Q33	27 9
26		
27	G14	6 41
28		

CIRCUIT SPECIFICATION 11827600

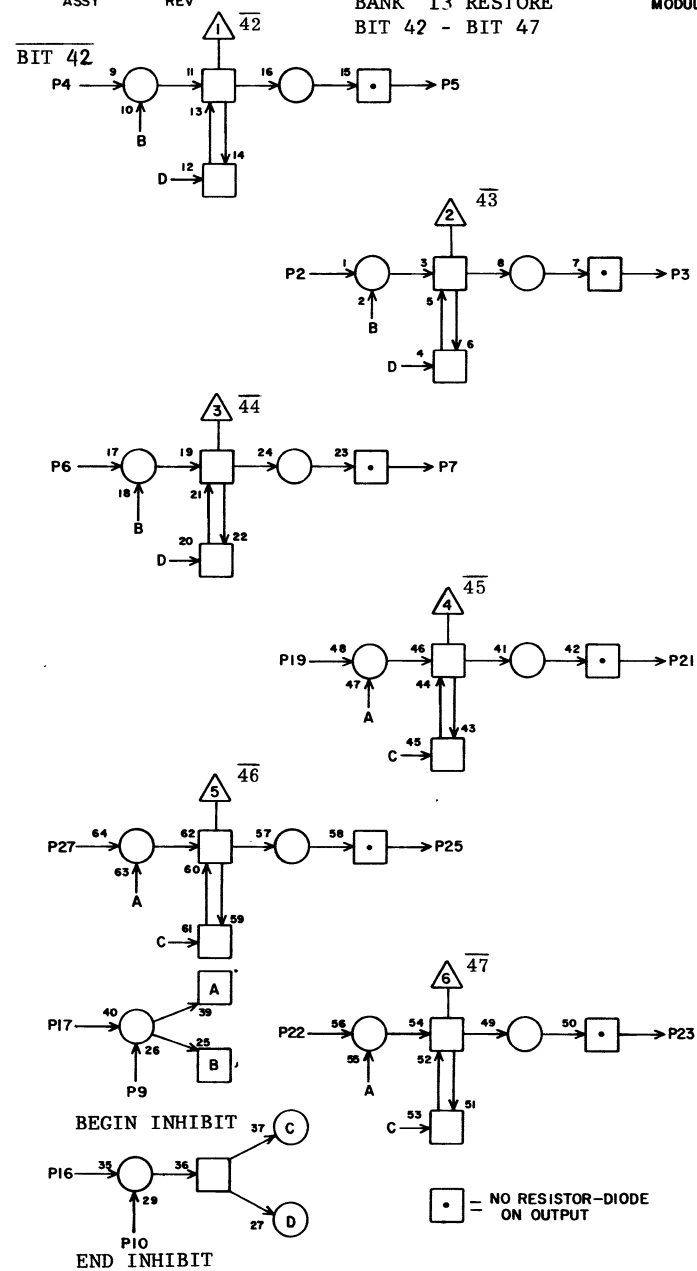
LS 63059900
ASSY

D
REV

BANK 13 RESTORE
BIT 42 - BIT 47

PZ
SPECIAL
MODULE

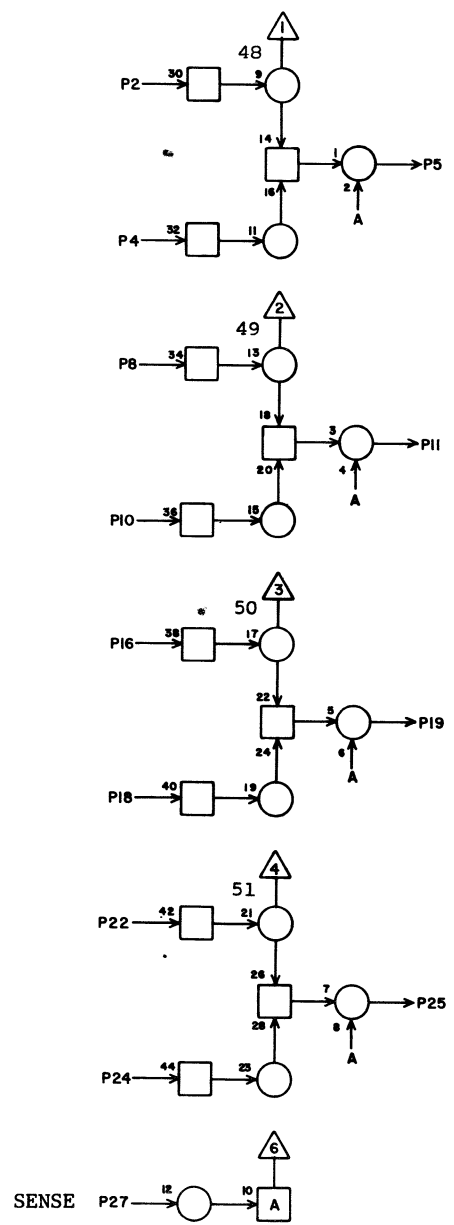
9 P36



JACK	PIN	LG
1		
2	G14	20 39
3	Q26	4 15
4	G14	27 39
5	Q26	28 15
6	G15	6 41
7	Q33	3 9
8		
9	P20	9 17
10	P20	19 17
11		
12		
13		
14		
15		
16	P21	26 17
17	P21	10 19
18		
19	G15	10 41
20		
21	Q33	25 11
22	G15	20 41
23	Q26	2 13
24		
25	Q26	30 15
26		
27	G15	27 41
28		

CIRCUIT SPECIFICATION 11827600

BANK 13 SENSE

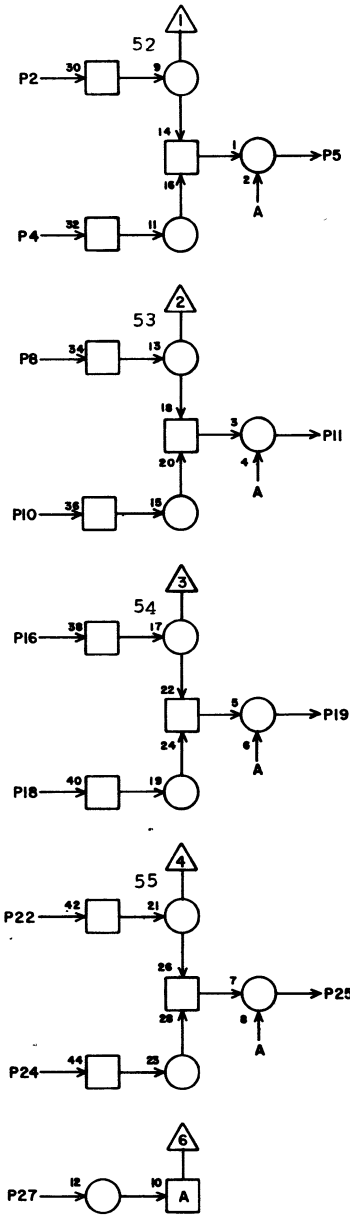


PS 9P 38

1			
2	Q35	1	11
3			
4	Q35	3	11
5	H39	18	31
6			
7			
8	Q35	27	13
9			
10	Q35	29	13
11	H39	10	33
12			
13			
14			
15			
16	Q42	28	11
17			
18	Q42	30	11
19	H39	27	33
20			
21			
22	Q42	2	9
23			
24	Q42	4	9
25	H40	18	33
26	P34	28	7
27	P18	19	21
28	P39	26	3

JACK PIN LG

BANK 13 SENSE



SENSE

PS

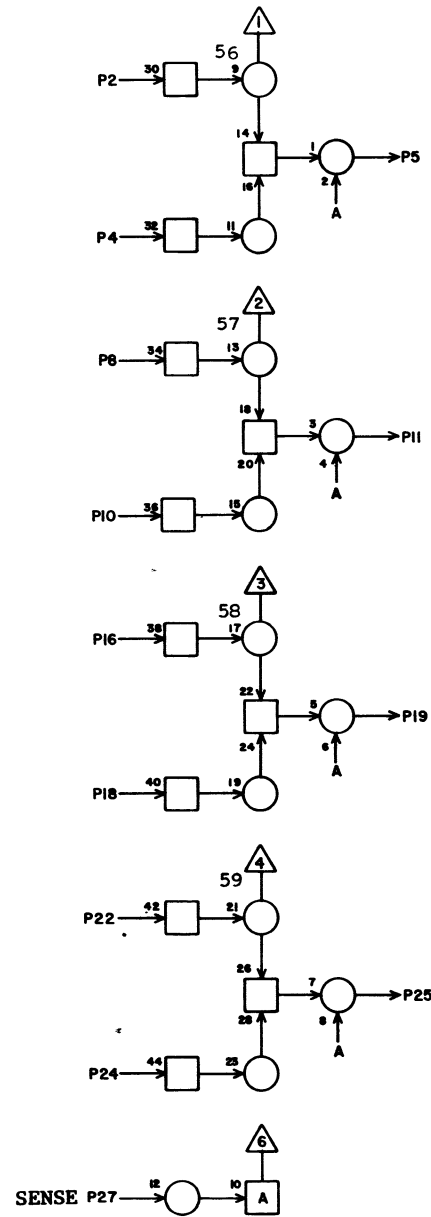
9P 39

1			
2	Q35	5	11
3			
4	Q35	7	11
5	H40	10	33
6			
7			
8	Q35	23	13
9			
10	Q35	25	13
11	H40	27	31
12			
13			
14			
15			
16	Q42	6	9
17			
18	Q42	8	9
19	H41	18	33
20			
21			
22	Q42	24	11
23			
24	Q42	26	11
25	H41	10	33
26	P38	28	3
27	P18	21	23
28	P40	26	3

JACK PIN LG

63017100 Rev. D

BANK 13 SENSE



SENSE

PS

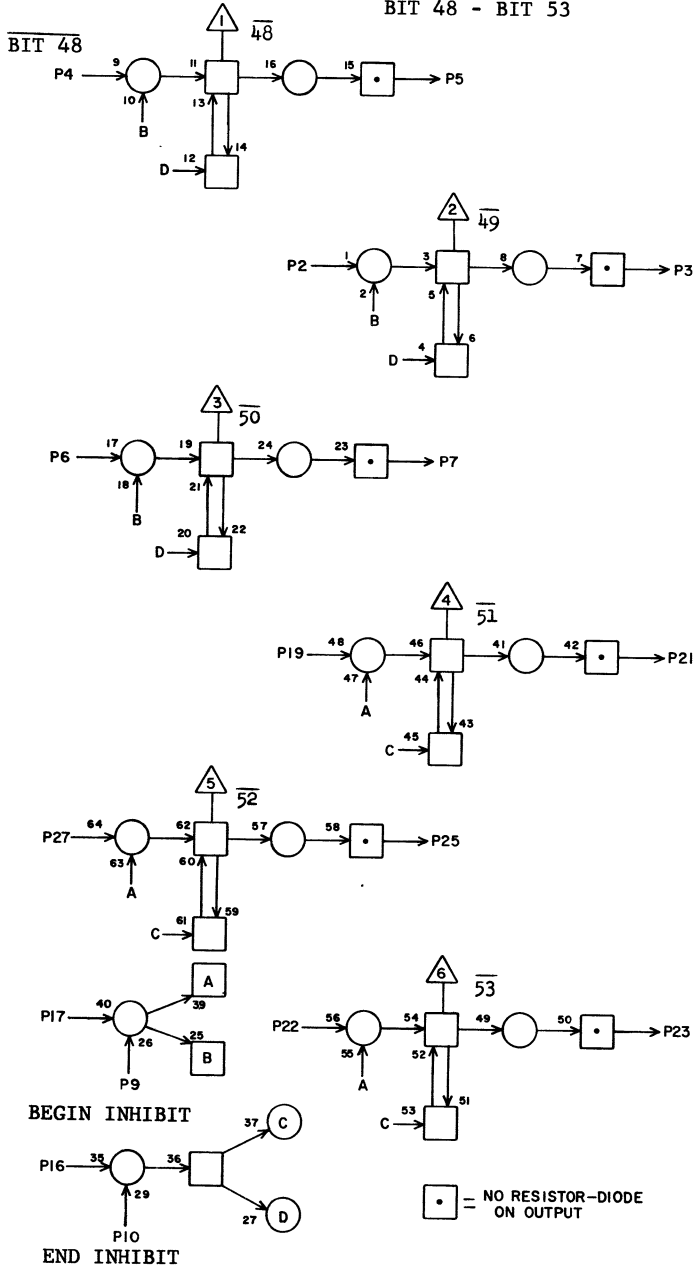
9P 40

1			
2	Q35	19	13
3			
4	Q35	21	13
5	H41	27	31
6			
7			
8	Q35	9	11
9			
10	Q35	11	11
11	H42	18	33
12			
13			
14			
15			
16	Q42	10	9
17			
18	Q42	12	9
19	H42	10	33
20			
21			
22	Q42	20	9
23			
24	Q42	22	9
25	H42	27	33
26	P39	28	5
27	P18	23	23
28			

JACK PIN LG

63017100 Rev. D

BANK 13 RESTORE
BIT 48 - BIT 53



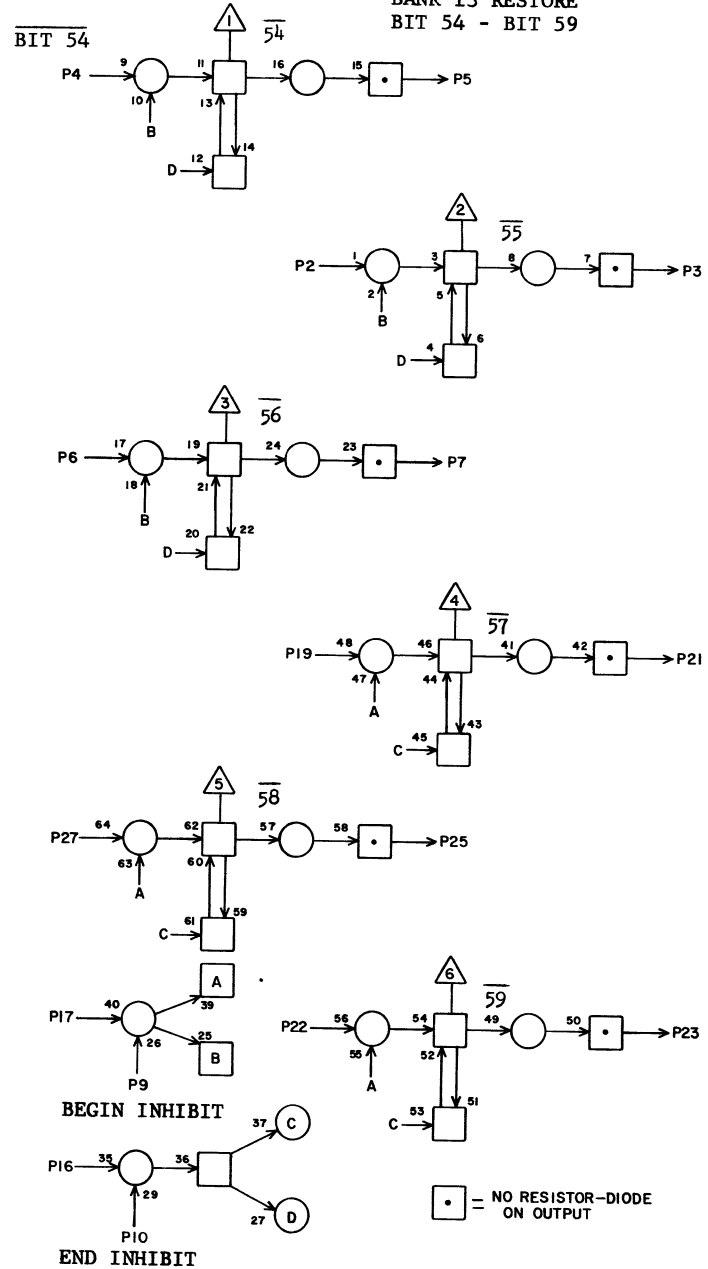
SPECIAL MODULE Pz 9P41

1			
2	G17	10	41
3	Q42	5	9
4	G17	6	41
5	Q42	29	11
6	G17	27	39
7	Q35	6	13
8			
9	P20	11	21
10	P20	21	21
11			
12			
13			
14			
15			
16	P21	27	21
17	P21	11	21
18			
19	G17	20	41
20			
21	Q35	26	13
22	G18	10	43
23	Q42	1	7
24			
25	Q42	27	9
26			
27	G18	6	43
28			

JACK PIN LG

63017100 Rev. D

BANK 13 RESTORE
BIT 54 - BIT 59



SPECIAL MODULE Pz 9P42

1			
2	G18	20	39
3	Q35	4	13
4	G18	27	39
5	Q35	28	15
6	G19	6	41
7	Q42	3	9
8			
9	P20	13	23
10	P20	23	23
11			
12			
13			
14			
15			
16	P21	28	23
17	P21	12	23
18			
19	G19	10	41
20			
21	Q42	25	9
22	G19	20	41
23	Q35	2	13
24			
25	Q35	30	13
26			
27	G19	27	41
28			

JACK PIN LG

63017100 Rev. D

**STORAGE
MODULE**

9Q 1

1	P 1	2	9
2	P 5	23	9
3	P 1	4	9
4	P 5	3	11
5	P 2	2	9
6	P 4	7	11
7	P 2	4	9
8	P23	19	23
9	P 3	8	9
10	P23	20	23
11	P 3	10	9
12	P25	19	25
13			
14	P25	20	25
15	Q 1	X	2
16	P25	2	25
17			
18	P24	2	25
19	P 3	2	11
20	P22	20	23
21	P 3	4	11
22	P22	19	23
23	P 2	8	11
24	P25	3	25
25	P 2	10	11
26	P 4	21	11
27	P 1	8	11
28	P 5	5	11
29	P 1	10	11
30	P 5	25	11

JACK PIN LG

FUNCTION	PIN
Address	
S ⁰	22
S ¹	20
S ²	8
S ³	10
S ⁴	12
S ⁵	14
S ⁶	18
S ⁷	16
Store	
Z ²	6
Z ³	26
Z ⁶	28
Z ⁷	4
Z ¹⁰	30
Z ¹¹	2
Read	
2 ⁰	1
2 ¹	3
2 ²	27
2 ⁴	29
2 ⁵	5
2 ⁶	7
2 ⁸	23
2 ⁹	25
2 ¹⁰	19
2 ¹¹	21
2 ¹²	9
2 ¹³	11
Inhibit	
S ¹¹	24
Power	
+5 To Inhibit	13
+5 To Inhibit	17
Ground	15

FUNCTION	PIN
Address	
S ⁴	7
S ⁵	9
S ⁶	13
S ⁷	11
Store	
Z ⁰	29
Z ¹	5
Z ⁴	27
Z ⁵	1
Z ⁸	3
Z ⁹	25
Read	
2 ²	28
2 ³	30
2 ⁵	2
2 ⁶	4
2 ⁷	6
2 ⁸	8
2 ¹⁰	24
2 ¹¹	26
2 ¹²	10
2 ¹³	12
2 ¹⁴	20
2 ¹⁵	22
Inhibit	
S ⁴	15
S ⁵	17
S ¹⁰	19
Control	
Read Enable	23
Write Enable	21
Power	
+8 To Drive	18
+6 To Drive	14
Ground	16

JACK PIN LG

63017100 Rev. G

**STORAGE
MODULE**

9Q10

1	P 7	2	11
2	P11	23	7
3	P 7	4	11
4	P11	3	9
5	P 8	2	11
6	P10	7	9
7	P 8	4	11
8	P23	21	17
9	P 9	8	11
10	P23	22	17
11	P 9	10	11
12	P25	21	19
13			
14	P25	22	19
15	Q10	X	2
16	P25	4	17
17			
18	P24	4	17
19	P 9	2	11
20	P22	22	15
21	P 9	4	11
22	P22	21	17
23	P 8	8	11
24	P25	5	19
25	P 8	10	11
26	P10	21	9
27	P 7	8	11
28	P11	5	11
29	P 7	10	11
30	P11	25	9

JACK PIN LG

FUNCTION	PIN
Address	
S ⁰	22
S ¹	20
S ²	8
S ³	10
S ⁴	12
S ⁵	14
S ⁶	18
S ⁷	16
Store	
Z ²	6
Z ³	26
Z ⁶	28
Z ⁷	4
Z ¹⁰	30
Z ¹¹	2
Read	
2 ⁰	1
2 ¹	3
2 ²	27
2 ⁴	29
2 ⁵	5
2 ⁶	7
2 ⁸	23
2 ⁹	25
2 ¹⁰	19
2 ¹¹	21
2 ¹²	9
2 ¹³	11
Inhibit	
S ¹¹	24
Power	
+5 To Inhibit	13
+5 To Inhibit	17
Ground	15

9Q16

1	P10	23	11
2	P 7	22	13
3	P11	7	11
4	P 7	24	13
5	P10	3	13
6	P 8	16	13
7	P22	4	11
8	P 8	18	13
9	P23	4	13
10	P 9	16	13
11	P24	22	11
12	P 9	18	13
13	P24	21	13
14	+6 Bus		
15	P22	5	13
16	Q16	X	2
17	P23	5	13
18			
19	P24	5	13
20	P 9	22	13
21	P14	25	9
22	P 9	24	13
23	P14	3	29
24	P 8	22	13
25	P11	21	13
26	P 8	24	13
27	P10	25	13
28	P 7	16	15
29	P10	5	13
30	P 7	18	15

JACK PIN LG

63017100 Rev. G

9Q18
STORAGE
MODULE

FUNCTION	PIN
Address	
S ⁰	22
S ¹	20
S ²	8
S ³	10
S ⁴	12
S ⁵	14
S ⁶	18
S ⁷	16
Store	
Z ²	6
Z ³	26
Z ⁴	28
Z ⁵	4
Z ⁶	30
Z ⁷	2
Z ⁸	
Z ⁹	
Z ¹⁰	
Z ¹¹	
Read	
Z ⁰	1
Z ¹	3
Z ²	27
Z ³	29
Z ⁴	5
Z ⁵	7
Z ⁶	23
Z ⁷	25
Z ⁸	19
Z ⁹	21
Z ¹⁰	9
Z ¹¹	11
Inhibit	
S ¹¹	24
Power	
+5 To Inhibit	13
+5 To Inhibit	17
Ground	15

1	P26	2	13
2	P30	23	15
3	P26	4	13
4	P30	3	17
5	P27	2	13
6	P29	7	15
7	P27	4	13
8	P23	23	11
9	P28	8	15
10	P23	24	11
11	P28	10	15
12	P25	23	13
13			
14	P25	24	13
15	Q18	X	2
16	P25	6	13
17			
18	P24	6	13
19	P28	2	15
20	P22	24	11
21	P28	4	15
22	P22	23	11
23	P27	8	15
24	P25	7	13
25	P27	10	15
26	P29	21	15
27	P26	8	13
28	P30	5	17
29	P26	10	13
30	P30	25	17

JACK PIN LG

9Q25

1	P29	23	9
2	P26	22	7
3	P30	7	11
4	P26	24	7
5	P29	3	11
6	P27	16	9
7	P22	6	11
8	P27	18	9
9	P23	6	11
10	P28	16	9
11	P24	24	7
12	P28	18	9
13	P24	23	7
14	+6 Bus		
15	P22	7	11
16	Q25	X	2
17	P23	7	11
18			
19	P24	7	11
20	P28	22	9
21	P14	26	15
22	P28	24	9
23	P14	4	29
24	P27	22	9
25	P30	21	11
26	P27	24	9
27	P29	25	11
28	P26	16	11
29	P29	5	13
30	P26	18	11

JACK PIN LG

63017100 Rev. G

9Q26

STORAGE
MODULE

1	P32	2	11
2	P36	23	13
3	P32	4	11
4	P36	3	15
5	P33	2	13
6	P35	7	13
7	P33	4	13
8	P23	25	9
9	P34	8	13
10	P23	26	9
11	P34	10	13
12	P25	25	7
13			
14	P25	26	7
15	Q26	X	2
16	P25	8	11
17			
18	P24	8	11
19	P34	2	11
20	P22	26	11
21	P34	4	11
22	P22	25	11
23	P33	8	13
24	P25	9	11
25	P33	10	13
26	P35	21	15
27	P32	8	13
28	P36	5	15
29	P32	10	13
30	P36	25	15

FUNCTION	PIN
Address	
S ⁰	22
S ¹	20
S ²	8
S ³	10
S ⁴	12
S ⁵	14
S ⁶	18
S ⁷	16
Store	
Z ²	6
Z ³	26
Z ⁴	28
Z ⁵	4
Z ⁶	30
Z ⁷	2
Z ⁸	
Z ⁹	
Z ¹⁰	
Z ¹¹	
Read	
Z ⁰	1
Z ¹	3
Z ²	27
Z ³	29
Z ⁴	5
Z ⁵	7
Z ⁶	23
Z ⁷	25
Z ⁸	19
Z ⁹	21
Z ¹⁰	9
Z ¹¹	11
Inhibit	
S ¹¹	24
Power	
+5 To Inhibit	13
+5 To Inhibit	17
Ground	15

JACK PIN LG

9Q33

1	P35	23	7
2	P32	22	7
3	P36	7	9
4	P32	24	7
5	P35	3	9
6	P33	16	9
7	P22	8	15
8	P33	18	9
9	P23	8	13
10	P34	16	9
11	P24	26	13
12	P34	18	9
13	P24	25	13
14	+6 Bus		
15	P22	9	15
16	Q33	X	2
17	P23	9	15
18			
19	P24	9	15
20	P34	22	9
21	P14	27	21
22	P34	24	9
23	P14	6	29
24	P33	22	9
25	P36	21	11
26	P33	24	9
27	P35	25	9
28	P32	16	11
29	P35	5	11
30	P32	18	11

FUNCTION	PIN
Address	
S ⁴	7
S ⁵	9
S ⁶	13
S ⁷	11
Store	
Z ⁰	29
Z ¹	5
Z ²	27
Z ³	1
Z ⁴	3
Z ⁵	25
Z ⁶	25
Z ⁷	
Z ⁸	
Z ⁹	
Z ¹⁰	
Z ¹¹	
Read	
Z ²	28
Z ³	30
Z ⁴	2
Z ⁵	4
Z ⁶	6
Z ⁷	8
Z ⁸	24
Z ⁹	26
Z ¹⁰	10
Z ¹¹	12
Z ¹²	20
Z ¹³	22
Inhibit	
S ⁴	15
S ⁵	17
S ¹⁰	19
Control	
Read Enable	23
Write Enable	21
Power	
+8 To Drive	18
+6 To Drive	14
Ground	16

JACK PIN LG

63017100 Rev. G

9Q35

STORAGE
MODULE

FUNCTION	PIN
Address	
S ⁰	22
S ¹	20
S ²	8
S ³	10
S ⁶	12
S ⁹	14
S ¹⁰	18
S ¹¹	16
Store	
Z ²	6
Z ³	26
Z ⁶	28
Z ⁷	4
Z ¹⁰	30
Z ¹¹	2
Read	
2 ⁰	1
2 ⁰	3
2 ¹	27
2 ¹	29
2 ⁴	5
2 ⁴	7
2 ⁵	23
2 ⁵	25
2 ⁸	19
2 ⁸	21
2 ⁹	9
2 ⁹	11
Inhibit	
S ¹¹	24
Power	
+5 To Inhibit	13
+5 To Inhibit	17
Ground	15

1	P38	2	11
2	P42	23	13
3	P38	4	11
4	P42	3	13
5	P39	2	11
6	P41	7	13
7	P39	4	11
8	P23	27	15
9	P40	8	11
10	P23	28	15
11	P40	10	11
12	P25	27	13
13			
14	P25	28	13
15	Q35	X	2
16	P25	10	15
17			
18	P24	10	15
19	P40	2	13
20	P22	28	17
21	P40	4	13
22	P22	27	15
23	P39	8	13
24	P25	11	15
25	P39	10	13
26	P41	21	13
27	P38	8	13
28	P42	5	15
29	P38	10	13
30	P42	25	13

JACK PIN LG

9 Q42

FUNCTION	PIN
Address	
S ⁴	7
S ⁵	9
S ⁵	13
S ⁷	11
Store	
Z ⁰	29
Z ¹	5
Z ⁴	27
Z ⁵	1
Z ⁸	3
Z ⁹	25
Read	
2 ²	28
2 ²	30
2 ³	2
2 ³	4
2 ⁶	6
2 ⁶	8
2 ⁷	24
2 ⁷	26
2 ¹⁰	10
2 ¹⁰	12
2 ¹¹	20
2 ¹¹	22
Inhibit	
S ⁴	15
S ⁵	17
S ¹⁰	19
Control	
Read Enable	23
Write Enable	21
Power	
+8 To Drive	18
+6 To Drive	14
Ground	16

1	P41	23	7
2	P38	22	9
3	P42	7	9
4	P38	24	9
5	P41	3	9
6	P39	16	9
7	P22	10	23
8	P39	18	9
9	P23	10	21
10	P40	16	9
11	P24	28	19
12	P40	18	9
13	P24	27	19
14	6 Bus		
15	P22	11	21
16	Q42	X	2
17	P23	11	21
18			
19	P24	11	21
20	P40	22	9
21	P14	28	29
22	P40	24	9
23	P14	7	29
24	P39	22	11
25	P42	21	9
26	P39	24	11
27	P41	25	9
28	P38	16	11
29	P41	5	11
30	P38	18	11

JACK PIN LG

COMMENT SHEET

MANUAL TITLE CONTROL DATA 6600 COMPUTER SYSTEM

Chassis 9 Customer Engineering Manual

PUBLICATION NO. 63017100 REVISION _____

FROM: NAME: _____
BUSINESS ADDRESS: _____

COMMENTS:

This form is not intended to be used as an order blank. Your evaluation of this manual will be welcomed by Control Data Corporation. Any errors, suggested additions or deletions, or general comments may be made below. Please include page number references and fill in publication revision level as shown by the last entry on the Record of Revision page at the front of the manual. Customer engineers are urged to use the TAR.

CUT ALONG LINE

FORM CA231 REV.1-67

NO POSTAGE STAMP NECESSARY IF MAILED IN U. S. A.

FOLD ON DOTTED LINES AND STAPLE

STAPLE

STAPLE

FOLD

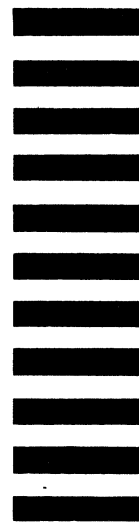
FOLD

FIRST CLASS
PERMIT NO. 8241
MINNEAPOLIS, MINN.

BUSINESS REPLY MAIL
NO POSTAGE STAMP NECESSARY IF MAILED IN U.S.A.

POSTAGE WILL BE PAID BY
CONTROL DATA CORPORATION
8100 34TH AVENUE SOUTH
MINNEAPOLIS, MINNESOTA 55440

ATTN: TECHNICAL PUBLICATIONS DEPT.
PLANT TWO



CUT ALONG LINE

FOLD

FOLD